

TIMKEN



TIMKEN® CORROSION-RESISTANT POLY-ROUND® PLAIN BEARING HOUSED UNIT CATALOG

Алматы (7273)495-231
 Ангарск (3955)60-70-56
 Архангельск (8182)63-90-72
 Астрахань (8512)99-46-04
 Барнаул (3852)73-04-60
 Белгород (4722)40-23-64
 Благовещенск (4162)22-76-07
 Брянск (4832)59-03-52
 Владивосток (423)249-28-31
 Владикавказ (8672)28-90-48
 Владимир (4922)49-43-18
 Волгоград (844)278-03-48
 Вологда (8172)26-41-59
 Воронеж (473)204-51-73
 Екатеринбург (343)384-55-89

Иваново (4932)77-34-06
 Ижевск (3412)26-03-58
 Иркутск (395)279-98-46
 Казань (843)206-01-48
 Калининград (4012)72-03-81
 Калуга (4842)92-23-67
 Кемерово (3842)65-04-62
 Киров (8332)68-02-04
 Коломна (4966)23-41-49
 Кострома (4942)77-07-48
 Краснодар (861)203-40-90
 Красноярск (391)204-63-61
 Курск (4712)77-13-04
 Курган (3522)50-90-47
 Липецк (4742)52-20-81

Магнитогорск (3519)55-03-13
 Москва (495)268-04-70
 Мурманск (8152)59-64-93
 Набережные Челны (8552)20-53-41
 Нижний Новгород (831)429-08-12
 Новокузнецк (3843)20-46-81
 Кемерово (3842)65-04-62
 Новосибирск (383)227-86-73
 Омск (3812)21-46-40
 Орел (4862)44-53-42
 Оренбург (3532)37-68-04
 Пенза (8412)22-31-16
 Петрозаводск (8142)55-98-37
 Псков (8112)59-10-37
 Пермь (342)205-81-47

Ростов-на-Дону (863)308-18-15
 Рязань (4912)46-61-64
 Самара (846)206-03-16
 Санкт-Петербург (812)309-46-40
 Саратов (845)249-38-78
 Севастополь (8692)22-31-93
 Саранск (8342)22-96-24
 Симферополь (3652)67-13-56
 Смоленск (4812)29-41-54
 Сочи (862)225-72-31
 Ставрополь (8652)20-65-13
 Сургут (3462)77-98-35
 Сыктывкар (8212)25-95-17
 Тамбов (4752)50-40-97
 Тверь (4822)63-31-35

Тольятти (8482)63-91-07
 Томск (3822)98-41-53
 Тула (4872)33-79-87
 Тюмень (3452)66-21-18
 Ульяновск (8422)24-23-59
 Улан-Удэ (3012)59-97-51
 Уфа (347)229-48-12
 Хабаровск (4212)92-98-04
 Чебоксары (8352)28-53-07
 Челябинск (351)202-03-61
 Череповец (8202)49-02-64
 Чита (3022)38-34-83
 Якутск (4112)23-90-97
 Ярославль (4852)69-52-93

Россия +7(495)268-04-70

Казахстан +7(7172)727-132

Киргизия +996(312)96-26-47

<https://timken.nt-rt.ru/> || tek@nt-rt.ru

ABOUT THE TIMKEN COMPANY

As a global leader in bearings and power transmission systems, Timken focuses on precise solution design, materials and craftsmanship to deliver reliable and efficient performance that improves productivity and uptime. Timken offers a full range of bearings, gear drives, automated lubrication systems, belts, chains, couplings and linear motion products along with rebuild and repair services. Timken applies its proven expertise in metallurgy, tribology and mechanical power transmission to create innovative approaches to customers' complex needs. Global availability of products and engineering talent, combined with exceptional service delivery across markets, makes Timken a preferred choice worldwide.

TIMKEN® CORROSION-RESISTANT POLY-ROUND® PLAIN BEARING HOUSED UNIT CATALOG INDEX

Introduction.....	2
How To Use This Catalog	2
Storage	3
Warnings.....	4

ENGINEERING

Housing Styles	6
Product Information.....	7
Nomenclature.....	8
Applications	9
Load and Speed Ratings.....	10
Technical Data	10
Mounting Designs	11
Housed Unit Installation	12
Poly-Round® Installation	12

STAINLESS STEEL HOUSING UNITS

Stainless Steel Two-Bolt Pillow Block Units With Poly-Round Inserts	14
Stainless Steel Two-Bolt Flanged Units With Poly-Round Inserts	16
Stainless Steel Four-Bolt Flanged Unit With Poly-Round Inserts	18
Stainless Steel Tapped-Base Units With Poly-Round Inserts	20
Stainless Steel Take-Up Units With Poly-Round Inserts	22

POLYMER (THERMOPLASTIC) HOUSED UNITS

Polymer Two-Bolt Pillow Block Units With Poly-Round Inserts	26
Polymer Two-Bolt Flanged Units With Poly-Round Inserts	28
Polymer Three-Bolt Flanged Units With Poly-Round Inserts	30
Polymer Four-Bolt Flanged Units With Poly-Round Inserts	32

INSERTS

Poly-Round Inserts.....	36
-------------------------	----

CORROSION-RESISTANT PRODUCT OFFERING.....	38
--	-----------



TIMKEN® CORROSION-RESISTANT POLY-ROUND® PLAIN BEARING HOUSED UNITS

DESIGNED FOR SAFE, EFFICIENT MANUFACTURING FOR THE FOOD & BEVERAGE INDUSTRY

Manufacturers in the food and beverage industry can trust our housed units to extend bearing life, improve production uptime and – most importantly – elevate food safety. Designed to be corrosion resistant and lubrication free, the poly-round engineered polymer plain bearing insert is ideal for applications where sanitation and contamination are critical concerns.

Meet these challenges head-on with Timken. Corrosion-resistant Poly-Round® Plain Bearing Housed Units are an ideal fit for a variety of applications, like conveyors, mixers, dumpers, freezers and more.

Corrosion-Resistant Poly-Round Plain Bearing Housed Units

Made from corrosion-resistant materials, Poly-Round Plain Bearing Housed Units require no lubrication, making them ideal for the food and beverage industry. Reusable parts provide a lower cost of ownership while delivering reliable performance and enhanced bearing life. This allows you to improve production uptime while elevating food safety.

Product advantages include:

- Engineered polymer inserts
- AISI 316 shaft locking sleeve with KleanCap® screws
- Housings available in stainless steel or polymer (thermoplastic) in all mounting styles.
- Interchangeable industry-standard-mounted bearing from 20 mm to 50 mm or ¾ in. to 2 in.
- Designed for normal operation between -40 ° C and 93 ° C (-40 ° F and 200 ° F).
- Greaseless



HOW TO USE THIS CATALOG

We designed this catalog to help you find the Timken bearings best suited to your equipment needs and specifications.

Timken offers an extensive range of bearings and accessories in both imperial and metric sizes. For your convenience, size ranges are indicated in millimeters and inches. Contact your Timken engineer to learn more about our complete line for the special needs of your application.

This publication contains dimensions, tolerances and load ratings, as well as engineering sections describing mounting and fitting practices for shafts and housings, internal clearances, materials and other bearing features.

It provides valuable assistance in the initial consideration of the type and characteristics of the bearings that may best suit your particular needs.



STORAGE OF BEARINGS AND COMPONENTS

To help you get the most value from our products, Timken provides guidelines for the storage of ball and roller bearings, components and assemblies.

STORAGE

Timken suggests the following storage guidelines for our finished products (bearings, components and assemblies, referred to as "products"):

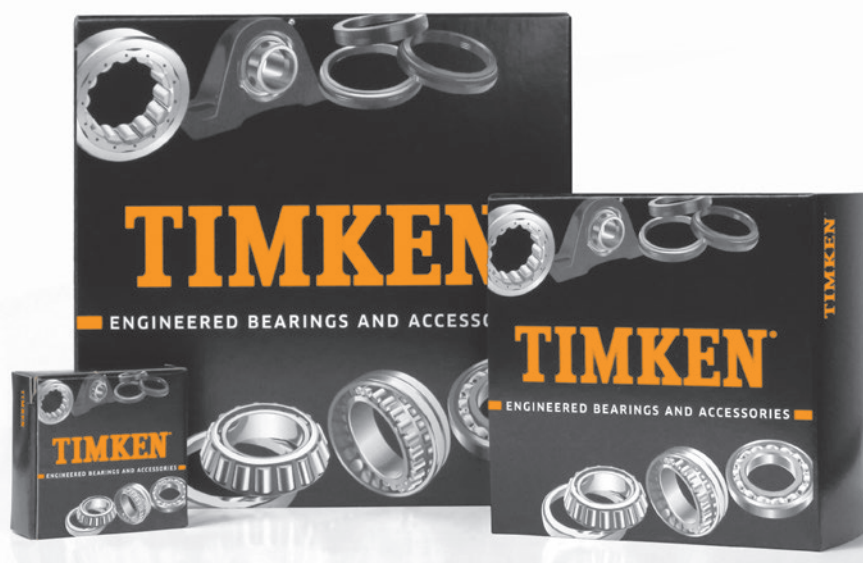
- Unless directed otherwise by Timken, products should be kept in their original packaging until they are ready to be placed into service.
- Do not remove or alter any labels or stencil markings on the packaging.
- Products should be stored in such a way that the packaging is not pierced, crushed or otherwise damaged.
- After a product is removed from its packaging, it should be placed into service as soon as possible.
- When removing a product that is not individually packaged from a bulk pack container, the container should be resealed immediately after the product is removed.
- The storage area temperature should be maintained between 0° C and 40° C (32° F and 104° F); temperature fluctuations should be minimized.

- The relative humidity should be maintained below 60 percent and the surfaces should be dry.
- The storage area should be kept free from airborne contaminants such as, but not limited to, dust, dirt, harmful vapors, etc.
- The storage area should be isolated from undue vibration.
- Extreme conditions of any kind should be avoided.

Due to the fact that Timken is not familiar with your particular storage conditions, we strongly suggest following these guidelines. However, you may be required by circumstances or applicable government requirements to adhere to stricter storage requirements.

When you receive a bearing shipment, do not remove products from their packaging until they are ready for mounting so they do not become corroded or contaminated.

Store bearings and bearing housings in an appropriate atmosphere so they remain protected for the intended period.



**WARNING**

Failure to observe the following warnings could create a risk of death or serious injury.

Proper maintenance and handling practices are critical. Always follow installation instructions and maintain proper lubrication.

Never spin a bearing with compressed air.
The components may be forcefully expelled.

Overheated bearings can ignite explosive atmospheres. Special care must be taken to properly select, install, maintain and lubricate housed unit bearings that are used in or near atmospheres that may contain explosive levels of combustible gases or accumulations of dust such as grain, coal, or other combustible materials. Consult your equipment designer or supplier for installation and maintenance instructions.

If hammer and bar are used for installation or removal of a part, use a mild steel bar (e.g., 1010 or 1020 grade). Mild steel bars are less likely to cause release of high speed fragments from the hammer or bar or the part being installed or removed.

Ungrounded bearings can create static electricity that can ignite in an explosive atmosphere such as combustible gases or accumulations of dust such as grain, coal, or other combustible materials. Proper dissipation of such potential static electricity discharge must be assured to prevent any such explosion.

Below -40° C (-40° F), polymer housings may break.
Select stainless or steel housings that operate to lower temperatures.

Tensile stresses can be very high in tightly fitted bearing components. Attempting to remove such components by cutting the inner ring may result in a sudden shattering of the component, causing fragments of metal to be forcefully expelled.

Always use properly guarded presses or bearing pullers to remove bearings from shafts, and always use suitable personal protective equipment, including safety glasses.

CAUTION

Failure to observe the following cautions could result in property damage.

The products cataloged are application specific. Any use in applications other than those intended could lead to equipment failure or to reduced equipment life.

Use of improper bearing fits may cause damage to equipment.

Do not use damaged housed units.

Do not use damaged bearings.
The use of a damaged bearing can result in equipment damage.

NOTE

Do not use excessive force when mounting or dismantling the unit.

Follow all tolerance, fit, and torque recommendations.

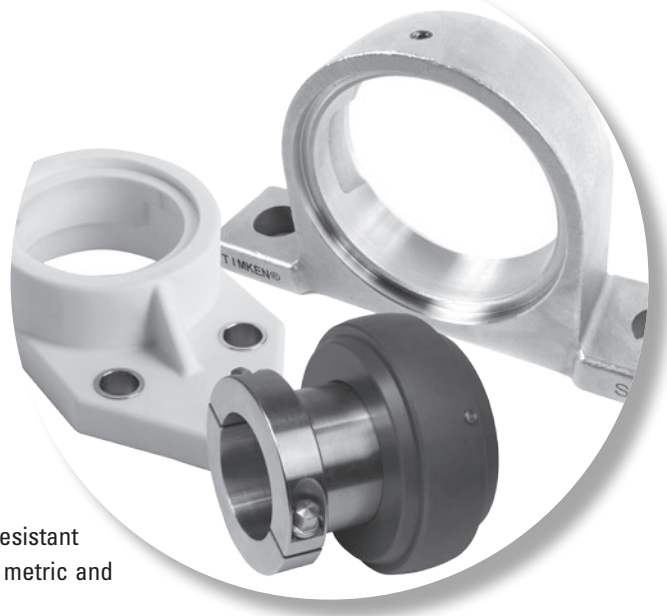
Always follow the Original Equipment Manufacturer's installation and maintenance guidelines.

Ensure proper alignment.

Never weld housed units.

Do not heat components with an open flame.

Do not operate at bearing temperatures above 121° C (250° F).



ENGINEERING

Timken offers a full range of standard corrosion-resistant Poly-Round Plain Bearing Housed Units in both metric and imperial sizes.


The following topics are covered within this section:

Housing Styles	6
Product Information	7
Nomenclature	8
Applications	9
Load and Speed Ratings	10
Technical Data	10
Mounting Designs	11
Housed Unit Installation	12
Poly-Round® Installation	12

HOUSING STYLES

Timken offers corrosion-resistant housings made of stainless steel or polymer (thermoplastic).

**TABLE 1.
HOUSING UNIT MODEL LIST**

Model	Insert Material	Locking Style	Housing Material	Model Code	Shaft Diameter				Dimension Table Page Number	
					Min.	Max.	Min.	Max.		
					in.		mm			
	Poly-Round Inserts	Poly-Round insert with Stainless Steel locking sleeves	DoubleLock® Sleeve with KleanCap® screws (LK)	–	NAU4LK	¾	2.0	20	50	36, 37
	Pillow Block Units (P)	Poly-Round insert with Stainless Steel locking sleeves	DoubleLock® Sleeve with KleanCap® screws (LK)	Stainless Steel (S)	NAU4LKSP	¾	2.0	20	50	14, 15
				Polymer (PL)	NAU4KPLP					26, 27
	Two-Bolt Flange Units (FL)	Poly-Round insert with Stainless Steel locking sleeves	DoubleLock® Sleeve with KleanCap® screws (LK)	Stainless Steel (S)	NAU4LKSFL	¾	2.0	20	50	16, 17
				Polymer (PL)	NAU4LKPLFL					28, 29
	Three-Bolt Flange Unit (FB)	Poly-Round insert with Stainless Steel locking sleeves	DoubleLock® Sleeve with KleanCap® screws (LK)	Polymer (PL)	NAU4LKPLFB	¾	1 7/16	20	35	30, 31
	Four-Bolt Flange Units (F)	Poly-Round insert with Stainless Steel locking sleeves	DoubleLock® Sleeve with KleanCap® screws (LK)	Stainless Steel (S)	NAU4LKSF	¾	2.0	20	50	18, 19
				Polymer (PL)	NAU4LKPLF					32, 33
	Take-Up Units (T)	Poly-Round insert with Stainless Steel locking sleeves	DoubleLock® Sleeve with KleanCap® screws (LK)	Stainless Steel (S)	NAU4LKST	¾	2.0	20	50	22, 23
	Tapped Base (TB)	Poly-Round insert with Stainless Steel locking sleeves	DoubleLock® Sleeve with KleanCap® screws (LK)	Stainless Steel (S)	NAU4LKSTB	¾	2.0	20	50	20, 21

For applications that require end caps please consult your Timken engineer.

PRODUCT INFORMATION

INSERTS

A Poly-Round insert includes the Poly-Round bearing with locking sleeve. Poly-Round inserts are ideal for tough applications where ball bearings don't perform as reliably. This includes applications exposed to low temperatures, wash-down, processing liquids or chemicals, incomplete rotation or oscillating motion.

ENGINEERED POLYMER BEARINGS

Made from bearing-grade polymer, our bearings provide reliable and predictable operation with no maintenance. This grease-less design provides superior food safety.

SHAFT LOCKING SLEEVES

Locking sleeves provide an optimal bearing surface, protect shaft surfaces from the normal wear caused by plain bearings and control lateral shaft movement. They are made from AISI 316 stainless steel for superior corrosion-resistance to cope with the harshest wash-down conditions. They feature hygienic design Kleancap screws.

USDA EQUIPMENT ACCEPTANCE

Poly-Round inserts are certified against ANSI/NSF/3-A 14159-1-2014, complying with the most stringent industry requirements.

PREDICTABLE WEAR

Allows you to focus on preventive maintenance and thus improve uptime.

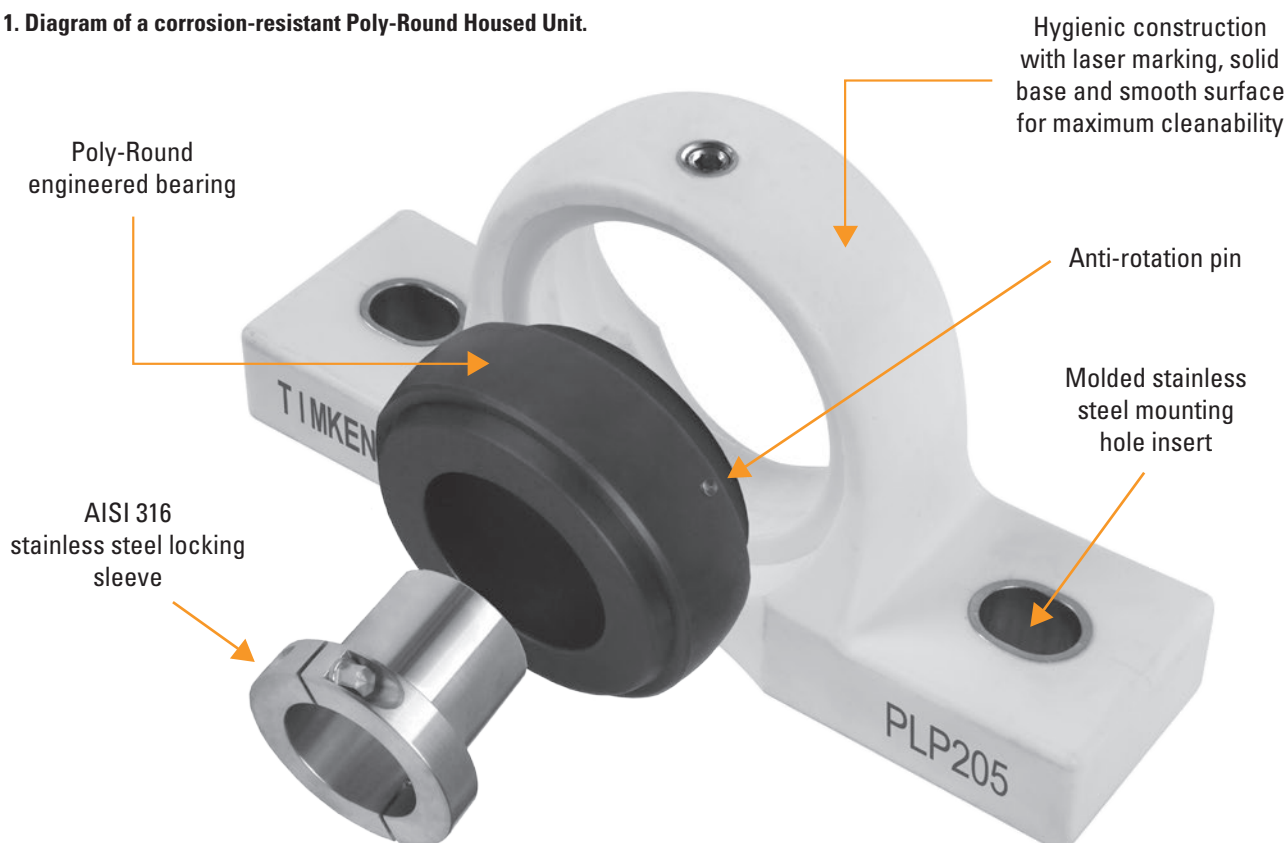
A SOLUTION FOR EVERY APPLICATION

A wide range of bearing materials and housing styles are available to meet your specific application needs.

INTERCHANGEABLE WITH WIDE INNER RING BEARINGS

A self-aligning O.D. and locking pin makes the housed units adaptable to existing equipment designs and are dimensionally interchangeable with ball housed unit industry-standard product.

Fig. 1. Diagram of a corrosion-resistant Poly-Round Housed Unit.



NOMENCLATURE

CORROSION-RESISTANT POLY-ROUND PLAIN BEARING HOUSED UNIT

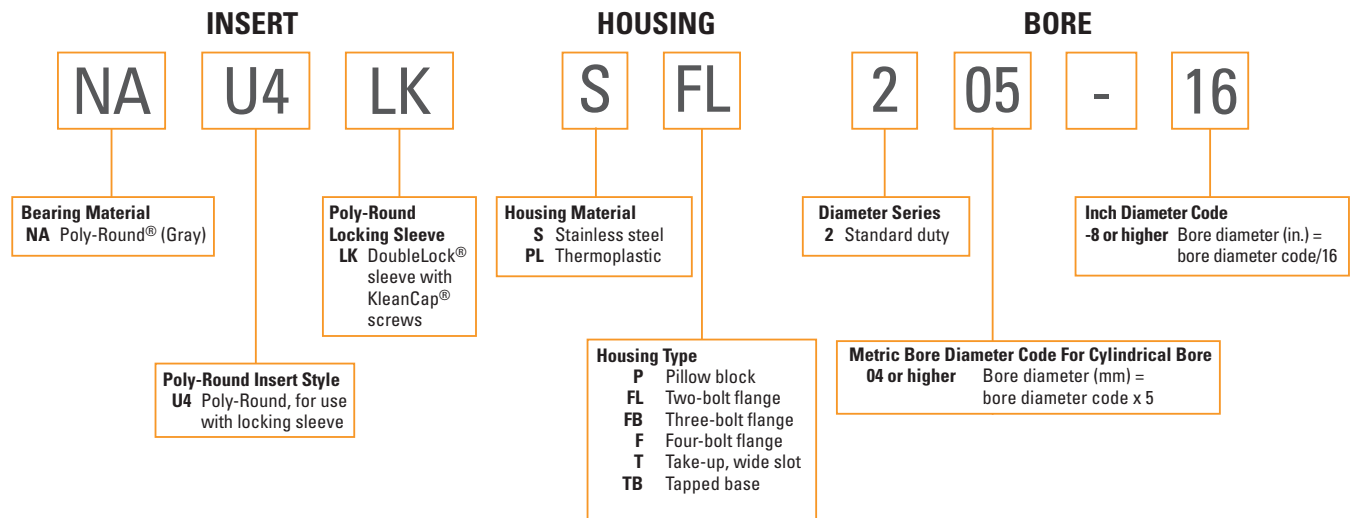


Fig. 2. Corrosion-resistant Poly-Round Plain Bearing Housed Unit nomenclature.

APPLICATIONS

Poly-Round Plain Bearing Housed Units are designed for applications in food and beverage processing with harsh environmental conditions. These conditions might include washdown, wide temperature ranges, stringent food safety requirements and common washdown chemicals. Typical examples are:

- Modular plastic belt conveyors
- Wire belt conveyors
- Positive drive flat belt conveyors
- Straight table-top chain conveyor
- Dumper pivots
- Horizontal mixers
- Chillers and freezers

It's suggested to use a rolling element bearing in applications where one or more of the following conditions exist:

- Tension (e.g. flat belt conveyors, round belt conveyors, drive and tail shafts in ovens, drive shaft in curved table-top chain conveyors, belt drive)
- High speed (e.g. fans, pumps)
- Cantilever load (e.g. shaft-supported geared motor)
- Trunnions (e.g. tumblers)
- Precise centerline (e.g. slicers)
- Abrasive media (e.g. breaders)

NA POLY-ROUND WITH LOCKING SLEEVE

- Suitable for moderate to medium load applications.
- Polymer bearing and stainless steel locking sleeve offer superior corrosion resistance.
- Excellent wash-down and shock resistance.
- Operating temperature ranges from -40° C (-40° F) to 93° C (200° F).
- For applications at lower temperatures or submerged, please consult your Timken engineer.



Fig. 3. Poly-Round with anti-rotation pin.

LOAD AND SPEED RATINGS

Bearing capacity is primarily limited by the heat generated by friction in the bearing. This can be quantified by the pressure-velocity factor. The load-speed factor shown in the tables below is a practical limit based on the maximum pressure-velocity factor of the material and the actual internal geometry of the bearing. For successful operation of a Poly-Round bearing, the load, speed, and load-speed factor must all be lower than the values shown in the table below.

TABLE 2.
LOAD AND SPEED RATINGS FOR
NA POLY-ROUND INSERT WITH LOCKING SLEEVE

Series	Max Speed	Max Load	Max Load-Speed Factor ⁽¹⁾
	RPM	N lbf	N/min lbf/min
204	1.500	6.480	82.500
		1.460	18.600
205	1.200	9.110	95.800
		2.050	21.500
206	1.000	12.000	103.000
		2.710	23.100
207	870	15.800	118.000
		3.550	26.600
208	780	20.500	138.000
		4.620	30.900
209	720	22.100	135.000
		4.970	30.500
210	640	26.400	145.000
		5.940	32.500

⁽¹⁾Load-speed Factor = Bearing Load (in lbs. resp. N) x Bearing Speed.

TECHNICAL DATA

The following tables provide important installation details related to shaft tolerance, recommended torque for set screws and mounting bolts.

TABLE 3.
SUGGESTED SHAFT TOLERANCES FOR POLY-ROUND

Shaft Size		Shaft Tolerance	
Over	Incl.	Min.	Max.
mm in.	mm in.	mm in.	mm in.
20	29	-0.051	0.013
0.472	1.142	-0.0020	0.0005
30	50	-0.051	0.025
1.181	1.969	-0.0020	0.0010

Turned or ground shafting is suggested.

TABLE 4.
SUGGESTED POLY-ROUND LOCKING SLEEVE SCREW TORQUE

Bore Dia. Code		Screw Head Size		Tightening Torque	
Over	Incl.	mm	in.	Nm	lbf.in
04	08	6	¼	12.4	110
09	10	8	⅝	22.6	200

Note 1: Locking sleeves for metric shaft sizes are fitted with metric head screws; locking sleeves for imperial shaft sizes are fitted with imperial head screws

Note 2: A thin-walled deep socket key is required for tightening the locking sleeve screw

TABLE 5.
SUGGESTED MOUNTING BOLT TORQUE

Bolt Size	Tightening Torque	Bolt Size	Tightening Torque
mm	N-m	in.	ft.-lbs.
M6		¼	
M8	6 – 10	⅝	4 – 7
M10	12 – 21	¾	9 – 16
M12	21 – 37	7/8	16 – 27
M14	34 – 60	1½	26 – 44
M16	53 – 93	1¾	39 – 69

MOUNTING DESIGNS

TWO-UNIT MOUNTING

In the majority of the applications, bearings must control the lateral movement of the shaft. The flanges on the locking sleeves should be faced in opposite directions to control the shaft movement in both directions. The location of the locking sleeve flange must either both be outside or both be inside of the bearing (see fig. 4).

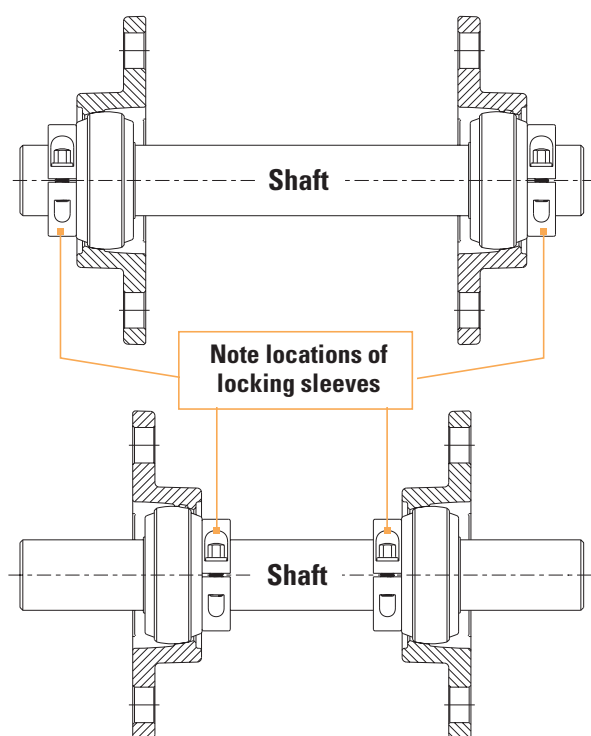


Fig. 4. Location of locking sleeve flange.

SINGLE UNIT MOUNTING

In case of a single direction thrust load (e.g. vertical shaft subject to gravity only), the flange of the locking sleeve can control the shaft movement. In such cases, it should be positioned on side of the bearing opposite to the direction of the thrust load (i.e. top side in case of gravity).

For safety reasons or reversing thrust loads, three sleeve options are available to control shaft movement in both directions:

- Double flange sleeve
- Split sleeve
- Additional split locking collar

For further information, please contact your Timken representative.

HOUSED UNIT INSTALLATION

Poly-Round housed units are mounted on the shaft with two screws in the flange of the locking collar. This locking system may provide ease in mounting and firm fit onto the shaft also in presence of thrust load.

Installation procedures are shown below.

1. Ensure the shaft is straight, free from burrs, clean, and of proper diameter. See table 3 on page 10 for suggested shaft tolerances.
2. Align the bearing in its housing then slide the unit into position on the shaft.
3. Bolt the housing to its mounting supports using an appropriately sized fastener. Flat washers should be used when installing any kind of housed unit. Washers should be properly sized to the bolt diameter. Lightly tighten the bolts to ensure the unit is properly seated.
4. Lock the bearing to the shaft by tightening each locking sleeve screw incrementally to suggested torque levels (table 4 on page 10). In the case of a two-support mount, first place a 0.1 mm (0.005 in.) feeler gage between the flange of its locking sleeve and the corresponding face of the insert. Then lock the second bearing the same way as the first one. This way, the arrangement will be set to a proper end-play.
5. The shaft shall spin freely inside the bearing. If needed, adjust the bearing for better alignment.
6. Tighten the mounting bolts to the suggested bolt torque (table 5 on page 10). Check again for free spinning, and repeat steps 3 through 6 as required.
7. Finalize the mounting of the equipment according to the manufacturer's instructions, and turn the equipment on. Note that the operating temperature of a Poly-Round bearing may be higher than a rolling bearing in the same application.

POLY-ROUND® INSTALLATION

Poly-Round Polymer Plain Bearings have a different coefficient of thermal expansion than the polymer housing or stainless steel housing. The resultant fit of the Poly-Round bearing to the housing will be impacted by the local environment. Low temperature could cause this fit to be looser than normal, while high temperature may cause a tighter fit. This is normal and environmental factors should be considered prior to installation. In certain cases, assembly of the Poly-Round into the housing can be made easier if the Poly-Round is chilled beforehand. This can aid in assembly and positioning of the bearing. The Poly-Round bearing can be easily cooled in a freezer or ice-water. Once installed and aligned, the bearing should operate as designed.

POLY-ROUND REPLACEMENT

When the shaft centerline displacement affects the operation of the equipment, the bearing may need to be rotated by 180 degrees to use the unworn portion (see fig. 5) or replaced.

If there is excessive wear on the locking sleeve, replace the Poly-Round insert with sleeve assembly.

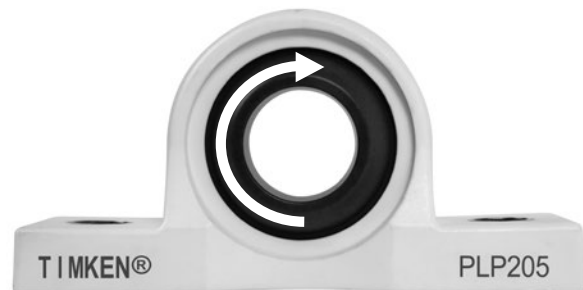


Fig. 5. 180-degree rotation of bearing.



**STAINLESS STEEL
HOUSED UNITS WITH
POLY-ROUND INSERTS**

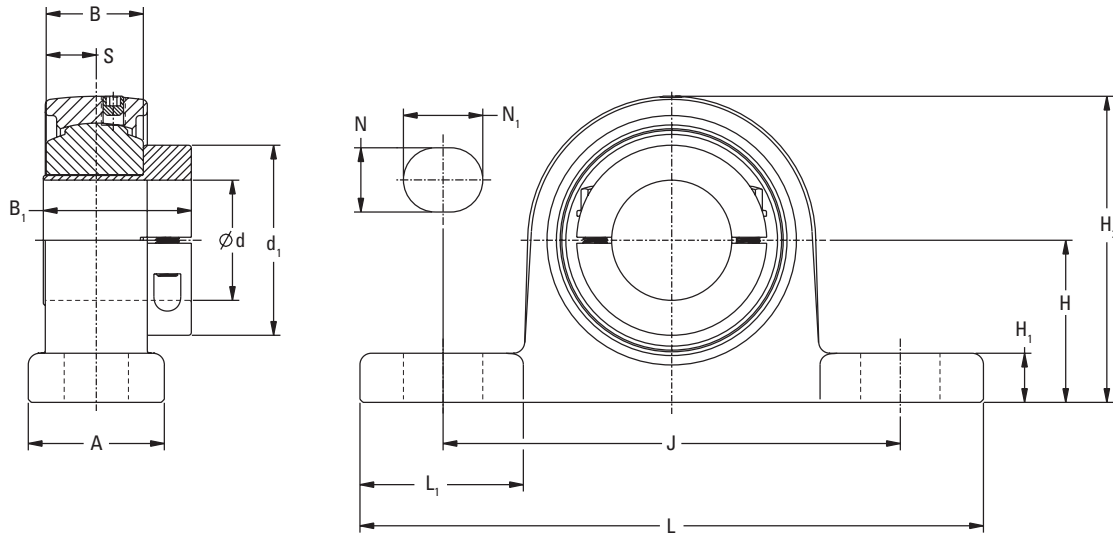
The following topics are covered within this section:

Stainless Steel Two-Bolt Pillow Block Units With Poly-Round Inserts	14
Stainless Steel Two-Bolt Flanged Units With Poly-Round Inserts	16
Stainless Steel Four-Bolt Flanged Unit With Poly-Round Inserts	18
Stainless Steel Tapped-Base Units With Poly-Round Inserts	20
Stainless Steel Take-Up Units With Poly-Round Inserts	22

STAINLESS STEEL HOUSED UNITS WITH POLY-ROUND INSERTS

STAINLESS STEEL TWO-BOLT PILLOW BLOCK UNITS WITH POLY-ROUND INSERTS

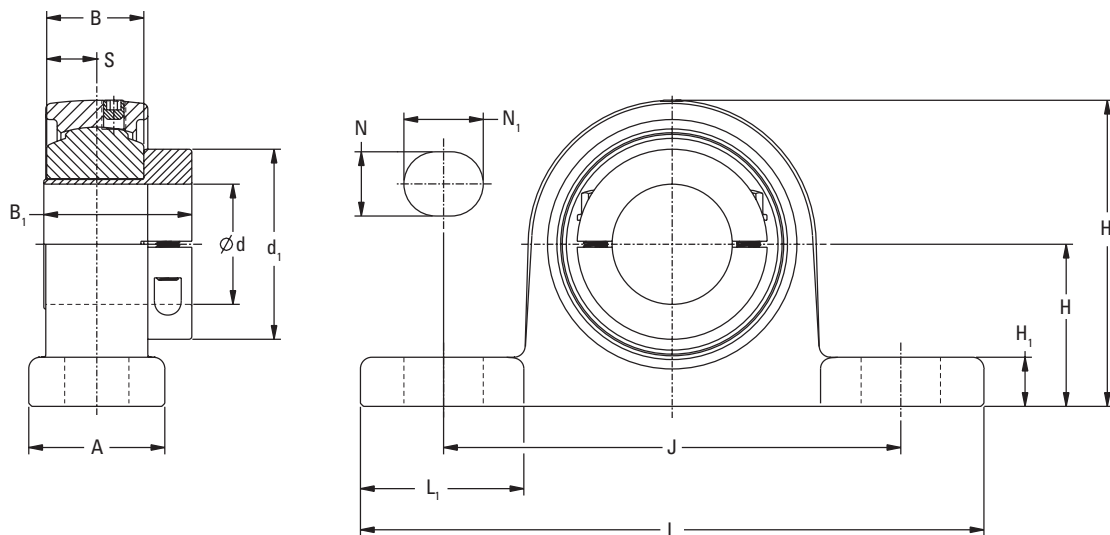
STAINLESS STEEL TWO-BOLT PILLOW BLOCK UNITS WITH POLY-ROUND INSERTS



Shaft Dia. d		Pillow Block Designation	Poly-Round Insert Designation	Dimensions											Bolt Size	Wt.																			
mm	in.			H	L	A	H ₁	J	H ₂	B	S	B ₁	d ₁	N			N ₁																		
mm	in.	mm	in.	mm	in.	mm	in.	mm	in.	mm	in.	mm	in.	mm	in.	mm	in.	mm	in.	kg	lbs.														
20	¾	NAU4LKSP204-12	NAU4LK204-12	33.3	127	30	11	95	63	20.7	9.6	34.2	41	13	18	M10	0.6																		
		NAU4LKSP204	NAU4LK204	1 ⅜	5	1 ⅜	⅞	3 ¾	2 ½	0.815	0.378	1.346	1.614	½	2 ⅜	⅜	1.2																		
25	⅞	NAU4LKSP205-14	NAU4LK205-14	36.5	140	30	12	105	69	23.9	12.8	37.3	44	13	19	M10	0.7																		
	1 ⅜	NAU4LKSP205-15	NAU4LK205-15															1 ⅜	5 ½	1 ⅜	1 ½	4 ⅞	2 ⅜	0.941	0.504	1.469	1.732	½	¾	⅜	1.6				
		NAU4LKSP205	NAU4LK205																																
30	1	NAU4LKSP205-16	NAU4LK205-16	42.9	165	36	13	121	81	25.7	13.3	39.2	50	17	21	M14	1.1																		
	1 ⅜	NAU4LKSP206-18	NAU4LK206-18															1 ⅜	6 ½	1 ⅜	½	4 ¾	3 ⅜	1.012	0.524	1.543	1.969	2 ⅜	1 ⅜	½	2.4				
		NAU4LKSP206	NAU4LK206																																
	1 ¼	NAU4LKSP206-19	NAU4LK206-19																																
35	1 ¼	NAU4LKSP206-20	NAU4LK206-20	47.6	167	38	14	127	91	29.4	16.7	42.8	57	17	21	M14	1.3																		
	1 ⅜	NAU4LKSP207-20	NAU4LK207-20															1 ⅜	6 ⅝	1 ½	⅝	5	3 ⅜	1.157	0.657	1.685	2.244	2 ⅜	1 ⅜	½	3.0				
		NAU4LKSP207-21	NAU4LK207-21																																
	1 ⅜	NAU4LKSP207-22	NAU4LK207-22																																
		NAU4LKSP207	NAU4LK207																																
	1 ⅞	NAU4LKSP207-23	NAU4LK207-23																																

STAINLESS STEEL HOUSED UNITS WITH POLY-ROUND INSERTS

STAINLESS STEEL TWO-BOLT PILLOW BLOCK UNITS WITH POLY-ROUND INSERTS

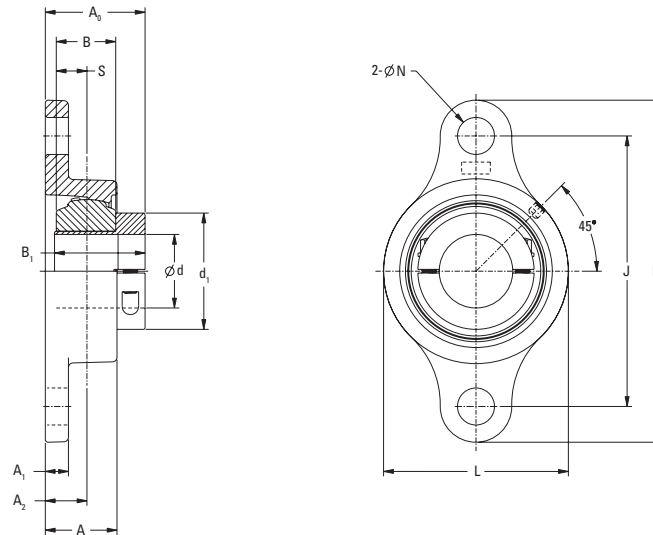


Shaft Dia. d		Pillow Block Designation	Poly-Round Insert Designation	Dimensions											Bolt Size	Wt.	
				H	L	A	H ₁	J	H ₂	B	S	B ₁	d ₁	N			N ₁
mm	in.			mm in.	mm in.	mm in.	mm in.	mm in.	mm in.	mm in.	mm in.	mm in.	mm in.	mm in.	mm in.	mm in.	
40	1 1/2	NAU4LKSP208-24	NAU4LK208-24	49.2	184	40	14	137	97	34.2	19.1	47.6	60	17	21	M14	1.6
	1 5/8	NAU4LKSP208-25	NAU4LK208-25	1 15/16	7 1/4	1 5/8	5/8	5 13/32	3 13/16	1.346	0.752	1.874	2.362	2 1/2	1 3/8	1/2	3.5
		NAU4LKSP208	NAU4LK208														
45	1 3/8	NAU4LKSP209-26	NAU4LK209-26	54	190	40	15	146	104	33.7	18.6	50.3	70	17	21	M14	1.8
	1 11/16	NAU4LKSP209-27	NAU4LK209-27	2 1/8	7 15/32	1 5/8	1 9/32	5 3/4	4 3/32	1.327	0.732	1.980	2.756	2 1/2	1 3/8	1/2	4.0
	1 3/4	NAU4LKSP209-28	NAU4LK209-28														
50	1 7/8	NAU4LKSP210-30	NAU4LK210-30	57.2	206	45	16	159	111	36.1	21.0	52.7	76	20	22	M16	2.2
	1 15/16	NAU4LKSP210-31	NAU4LK210-31	8 3/8	1 25/32	5/8	6 1/4	4 3/8	1.421	0.827	2.075	2.992	2 5/8	7/8	5/8	4.9	
	2	NAU4LKSP210-32	NAU4LK210-32														

STAINLESS STEEL HOUSED UNITS WITH POLY-ROUND INSERTS

STAINLESS STEEL TWO-BOLT FLANGED UNITS WITH POLY-ROUND INSERTS

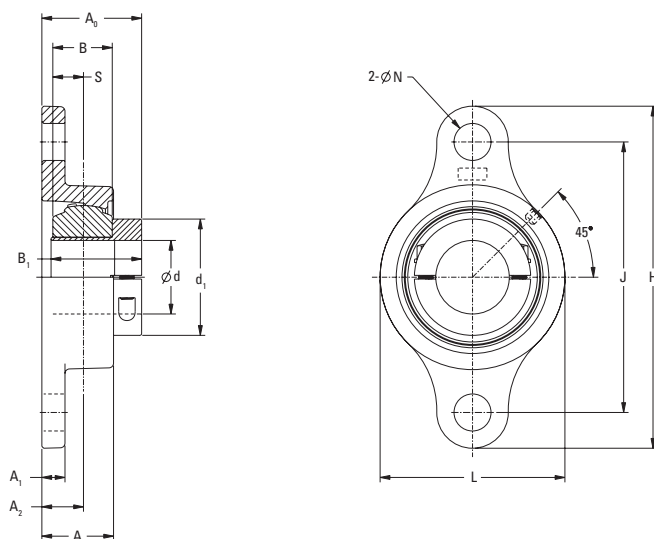
STAINLESS STEEL TWO-BOLT FLANGED UNITS WITH POLY-ROUND INSERTS



Shaft Dia. d		Two-Bolt Flange Designation	Poly-Round Insert Designation	Dimensions												Bolt Size	Wt.														
				H	J	A ₁	A	A ₀	L	A ₂	B	S	B ₁	d ₁	N																
mm	in.			mm in.	mm in.	mm in.	mm in.	mm in.	mm in.	mm in.	mm in.	mm in.	mm in.	mm in.	mm in.	mm in.	kg lbs.														
20	¾	NAU4LKSFL204-12	NAU4LK204-12	113	90	10	26	38.9	60	15	20.7	9.6	34.2	41	12	M10	0.4														
		NAU4LKSFL204	NAU4LK204	4 7/16	3 3/64	1 3/32	1 1/2	1.531	2 3/8	1 1/2	0.815	0.378	1.346	1.614	1 1/2	3/8	0.9														
25	7/8	NAU4LKSFL205-14	NAU4LK205-14	130	99	10	27.5	40.6	68	16	23.9	12.8	37.3	44	16	M14	0.6														
	1 5/16	NAU4LKSFL205-15	NAU4LK205-15																												
		NAU4LKSFL205	NAU4LK205															5 1/8	3 7/64	1 3/32	1 3/2	1.600	2 11/16	5/8	0.941	0.504	1.469	1.732	5/8	1/2	1.3
30	1	NAU4LKSFL205-16	NAU4LK205-16	148	117	10	31	43.9	80	18	25.7	13.3	39.2	50	16	M14	0.9														
	1 1/8	NAU4LKSFL206-18	NAU4LK206-18																												
		NAU4LKSFL206	NAU4LK206															5 13/16	4 19/32	1 3/32	1 7/2	1.729	3 3/32	4/64	1.012	0.524	1.543	1.969	5/8	1/2	1.9
	1 3/16	NAU4LKSFL206-19	NAU4LK206-19																												
35	1 1/4	NAU4LKSFL206-20	NAU4LK206-20	161	130	11	34	45.2	85	19	29.4	16.7	42.8	57	16	M14	0.9														
	1 1/4	NAU4LKSFL207-20	NAU4LK207-20																												
	1 5/16	NAU4LKSFL207-21	NAU4LK207-21																												
	1 3/8	NAU4LKSFL207-22	NAU4LK207-22															6 11/32	5 1/8	7/16	1 11/2	1.778	3 1 1/2	3/4	1.157	0.657	1.685	2.244	5/8	1/2	2.1
		NAU4LKSFL207	NAU4LK207																												
	1 7/16	NAU4LKSFL207-23	NAU4LK207-23																												

STAINLESS STEEL HOUSED UNITS WITH POLY-ROUND INSERTS

STAINLESS STEEL TWO-BOLT FLANGED UNITS WITH POLY-ROUND INSERTS

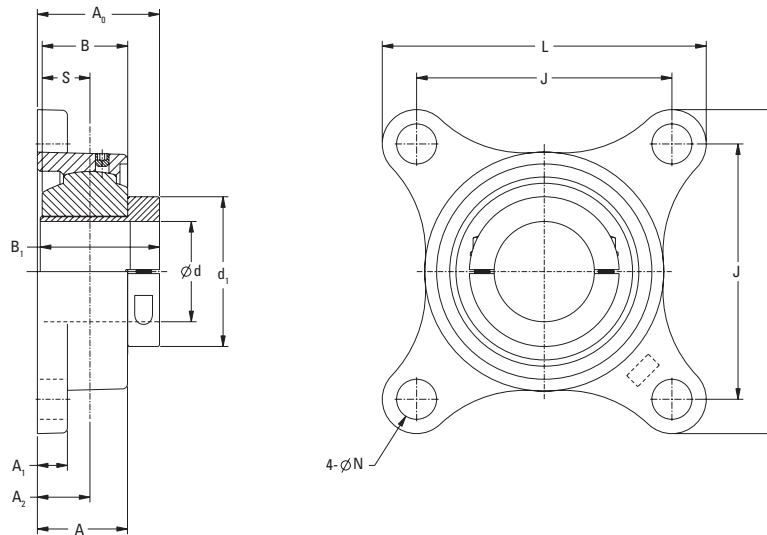


Shaft Dia. d		Two-Bolt Flange Designation	Poly-Round Insert Designation	Dimensions												Bolt Size	Wt.	
				H	J	A ₁	A	A ₀	L	A ₂	B	S	B ₁	d ₁	N			
mm	in.			mm in.	mm in.	mm in.	mm in.	mm in.	mm in.	mm in.	mm in.	mm in.	mm in.	mm in.	mm in.	mm in.	mm in.	kg lbs.
40	1 1/2	NAU4LKSFL208-24	NAU4LK208-24	175	144	12	36	48.7	94	21	34.2	19.1	47.6	60	16	M14	1.2	
	1 5/8	NAU4LKSFL208-25	NAU4LK208-25	6 7/8	5 3/64	1 1/2	1 13/32	1.917	3 11/16	53/64	1.346	0.752	1.874	2.362	5/8	1/2	2.6	
		NAU4LKSFL208	NAU4LK208															
45	1 5/8	NAU4LKSFL209-26	NAU4LK209-26	188	148	13	38	52.9	100	22	33.7	18.6	50.3	70	19	M16	1.4	
	1 11/16	NAU4LKSFL209-27	NAU4LK209-27	7 13/32	5 53/64	1/2	1 1/2	2.086	3 15/16	55/64	1.327	0.732	1.980	2.756	3/4	5/8	3.2	
	1 3/4	NAU4LKSFL209-28	NAU4LK209-28															
50	1 7/8	NAU4LKSFL210-30	NAU4LK210-30	197	157	13	40	53.1	106	22	36.1	21.0	52.7	76	19	M16	1.7	
	1 15/16	NAU4LKSFL210-31	NAU4LK210-31	7 3/4	6 3/16	1/2	1 9/16	2.096	4 3/16	55/64	1.421	0.827	2.075	2.992	3/4	5/8	3.6	
	2	NAU4LKSFL210-32	NAU4LK210-32															

STAINLESS STEEL HOUSED UNITS WITH POLY-ROUND INSERTS

STAINLESS STEEL FOUR-BOLT FLANGED UNITS WITH POLY-ROUND INSERTS

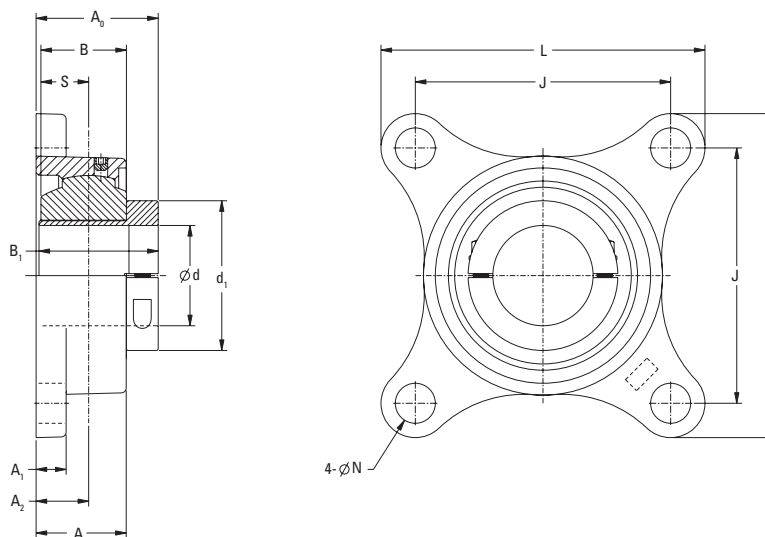
STAINLESS STEEL FOUR-BOLT FLANGED UNITS WITH POLY-ROUND INSERTS



Shaft Dia. d		Four-Bolt Flange Designation	Poly-Round Insert Designation	Dimensions											Bolt Size	Wt.
				L	J	A_1	A_2	A	A_0	B	S	B_1	d_1	N		
mm	in.			mm in.	mm in.	mm in.	mm in.	mm in.	mm in.	mm in.	mm in.	mm in.	mm in.	mm in.	mm in.	kg lbs.
20	3/4	NAU4LKSF204-12	NAU4LK204-12	86	64	10	15	26	38.9	20.7	9.6	34.2	41	12	M10	0.5
		NAU4LKSF204	NAU4LK204	3 3/8	2 33/64	13/32	19/32	1 1/2	1.531	0.815	0.378	1.346	1.614	1 1/2	3/8	1.0
25	7/8	NAU4LKSF205-14	NAU4LK205-14	95	70	10	16	27.5	40.6	23.9	12.8	37.3	44	12	M10	0.6
	1 1/16	NAU4LKSF205-15	NAU4LK205-15													
		NAU4LKSF205	NAU4LK205	3 3/4	2 3/4	13/32	5/8	1 1/2	1.600	0.941	0.504	1.469	1.732	1 1/2	3/8	1.4
30	1	NAU4LKSF205-16	NAU4LK205-16	108	83	10	18	31	43.9	25.7	13.3	39.2	50	12	M10	0.9
	1 1/8	NAU4LKSF206-18	NAU4LK206-18													
		NAU4LKSF206	NAU4LK206	4 1/4	3 17/64	13/32	45/64	1 7/32	1.729	1.012	0.524	1.543	1.969	1 1/2	3/8	2.1
	1 1/4	NAU4LKSF206-20	NAU4LK206-20													
35	1 1/4	NAU4LKSF207-20	NAU4LK207-20	117	92	11	19	34	45.2	29.4	16.7	42.8	57	14	M12	1.1
	1 5/16	NAU4LKSF207-21	NAU4LK207-21													
		NAU4LKSF207-22	NAU4LK207-22	4 13/32	3 3/8	7/16	3/4	1 11/32	1.778	1.157	0.657	1.685	2.244	39/64	7/16	2.5
	1 3/8	NAU4LKSF207	NAU4LK207													
	1 7/16	NAU4LKSF207-23	NAU4LK207-23													

STAINLESS STEEL HOUSED UNITS WITH POLY-ROUND INSERTS

STAINLESS STEEL FOUR-BOLT FLANGED UNITS WITH POLY-ROUND INSERTS

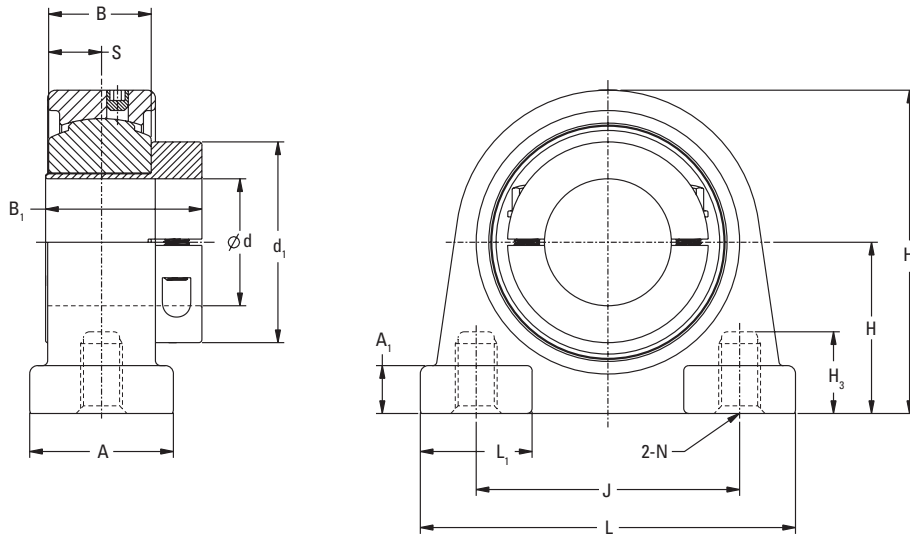


Shaft Dia. d		Four-Bolt Flange Designation	Poly-Round Insert Designation	Dimensions											Bolt Size	Wt.
				L	J	A ₁	A ₂	A	A ₀	B	S	B ₁	d ₁	N		
mm	in.			mm in.	mm in.	mm in.	mm in.	mm in.	mm in.	mm in.	mm in.	mm in.	mm in.	mm in.	mm in.	kg lbs.
40	1 1/2	NAU4LKSF208-24	NAU4LK208-24	130	102	12	21	36	48.7	34.2	19.1	47.6	60	16	M14	1.4
	1 9/16	NAU4LKSF208-25	NAU4LK208-25													
			NAU4LKSF208	NAU4LK208												
45	1 5/8	NAU4LKSF209-26	NAU4LK209-26	137	105	13	22	38	52.9	33.7	18.6	50.3	70	16	M14	1.7
	1 11/16	NAU4LKSF209-27	NAU4LK209-27													
			NAU4LKSF209	NAU4LK209												
50	1 7/8	NAU4LKSF210-30	NAU4LK210-30	143	111	13	22	40	53.1	36.1	21.0	52.7	76	16	M14	1.9
	1 15/16	NAU4LKSF210-31	NAU4LK210-31													
			NAU4LKSF210	NAU4LK210												
	2	NAU4LKSF210-32	NAU4LK210-32													

STAINLESS STEEL HOUSED UNITS WITH POLY-ROUND INSERTS

STAINLESS STEEL TAPPED-BASE UNITS WITH POLY-ROUND INSERTS

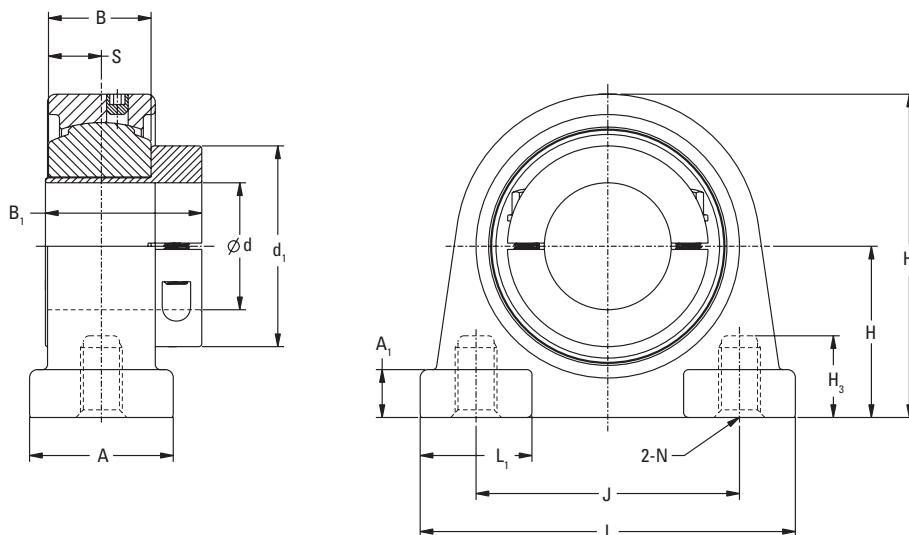
STAINLESS STEEL TAPPED-BASE UNITS WITH POLY-ROUND INSERTS



Shaft Dia. d		Tapped Base Pillow Block Designation	Poly-Round Insert Designation	Dimensions													Wt.															
				H	L	A	J	N	H ₁	H ₂	H ₃	L ₁	B	S	B ₁	d ₁																
mm	in.																kg	lbs.														
20	3/4	NAU4LKSTB204-12	NAU4LK204-12	30.2	76	30	52	M10x1.5	10	60	18	22	20.7	9.6	34.2	41	0.4															
		NAU4LKSTB204	NAU4LK204	1 3/16	3	1 3/16	2 3/64		13/32	2 3/8	4/64	7/8	0.815	0.378	1.346	1.614	1.0															
25	7/8	NAU4LKSTB205-14	NAU4LK205-14	36.5	84	30	56	M10x1.5	12	69	18	24	23.9	12.8	37.3	44	0.6															
	1 5/16	NAU4LKSTB205-15	NAU4LK205-15															1 7/16	3 3/16	1 3/16	2 13/64	15/32	2 23/32	4/64	15/16	0.941	0.504	1.469	1.732	1.3		
		NAU4LKSTB205	NAU4LK205																													
30	1	NAU4LKSTB205-16	NAU4LK205-16	42.9	94	36	66	M14x2.0	12	81	24	28	25.7	13.3	39.2	50	0.9															
	1 1/8	NAU4LKSTB206-18	NAU4LK206-18															1 11/16	3 11/16	1 13/32	2 19/32	15/32	3 3/16	15/16	1 3/32	1.012	0.524	1.543	1.969	2.0		
		NAU4LKSTB206	NAU4LK206																													
	1 3/4	NAU4LKSTB206-19	NAU4LK206-19																													
35	1 1/4	NAU4LKSTB206-20	NAU4LK206-20	47.6	110	38	80	M14x2.0	13	91	27	30	29.4	16.7	42.8	57	1.2															
	1 1/2	NAU4LKSTB207-20	NAU4LK207-20															1 7/8	4 11/32	1 1/2	3 3/32	1/2	3 19/32	1 1/16	1 3/16	1.157	0.657	1.685	2.244	2.7		
		NAU4LKSTB207-21	NAU4LK207-21																													
	1 3/8	NAU4LKSTB207-22	NAU4LK207-22																													
		NAU4LKSTB207	NAU4LK207																													
	1 7/16	NAU4LKSTB207-23	NAU4LK207-23																													

STAINLESS STEEL HOUSED UNITS WITH POLY-ROUND INSERTS

STAINLESS STEEL TAPPED-BASE UNITS WITH POLY-ROUND INSERTS

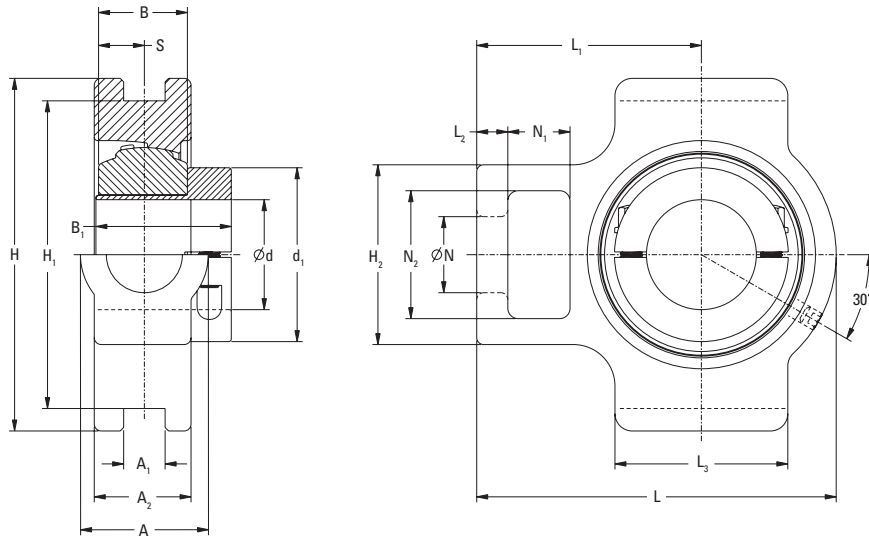


Shaft Dia. d		Tapped Base Pillow Block Designation	Poly-Round Insert Designation	Dimensions													Wt.	
				H	L	A	J	N	H ₁	H ₂	H ₃	L ₁	B	S	B ₁	d ₁		
mm	in.																kg	lbs.
40	1 1/2	NAU4LKSTB208-24	NAU4LK208-24	49.2 1 15/16	116 4 9/16	40 1 1/16	84 3 3/8	M14x2.0	13 1/2	97 3 13/16	27 1 1/8	32 1 1/4	34.2 1.346	19.1 0.752	47.6 1.874	60 2.362	1.4	3.1
	1 9/16	NAU4LKSTB208-25	NAU4LK208-25															
		NAU4LKSTB208	NAU4LK208															
45	1 5/8	NAU4LKSTB209-26	NAU4LK209-26	54.2	120	40	90	M14x2.0	13	104	31	32	33.7	18.6	50.3	70	1.7	3.7
	1 11/16	NAU4LKSTB209-27	NAU4LK209-27															
	1 3/4	NAU4LKSTB209-28	NAU4LK209-28															
		NAU4LKSTB209	NAU4LK209															
50	1 7/8	NAU4LKSTB210-30	NAU4LK210-30	57.2	130	45	94	M16x2.0	14	111	31	36	36.1	21.0	52.7	76	2.0	4.5
	1 15/16	NAU4LKSTB210-31	NAU4LK210-31															
		NAU4LKSTB210	NAU4LK210															
	2	NAU4LKSTB210-32	NAU4LK210-32															

STAINLESS STEEL HOUSED UNITS WITH POLY-ROUND INSERTS

STAINLESS STEEL TAKE-UP UNITS WITH POLY-ROUND INSERTS

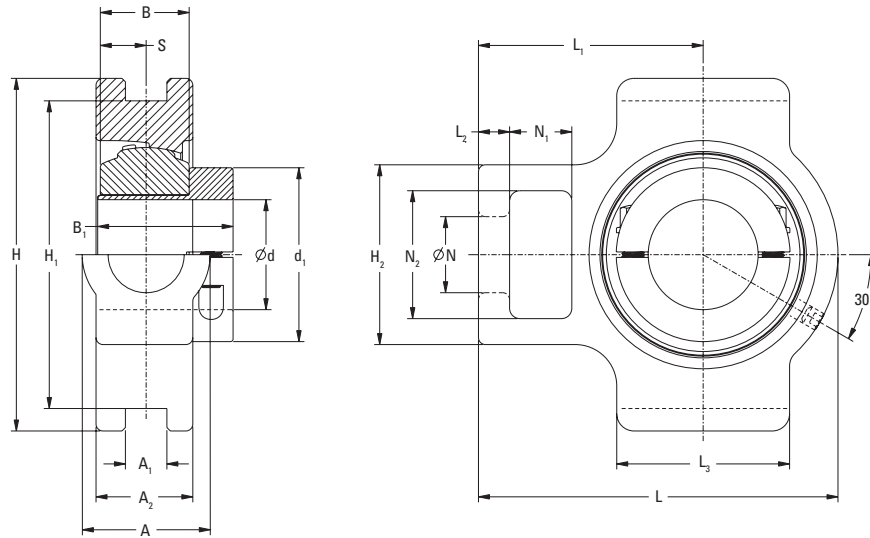
STAINLESS STEEL TAKE-UP UNITS WITH POLY-ROUND INSERTS



Shaft Dia. d		Take-Up Unit Designation	Poly-Round Insert Designation	Dimensions																		Wt.				
				H	H ₁	L ₂	L ₁	A ₂	A	A ₀	N	L	H ₂	B	S	B ₁	d ₁	L ₃	N ₁	N ₂	A ₁					
mm	in.			mm	mm	mm	mm	mm	mm	mm	mm	mm	mm	mm	mm	mm	mm	mm	mm	mm	mm	mm	mm	mm	kg	lbs.
20	¾	NAU4LKST204-12	NAU4LK204-12	89	76	9	59	23	32	35.4	19	89	46	20.7	9.6	34.2	41	44	18	32	12	0.7				
		NAU4LKST204	NAU4LK204	3 ½	2 ⅝ ⁶⁴	⅜ ₃₂	2 ⅜ ₁₆	⅞ ₃₂	1 ¼	1.393	¾	3 ½	1 ⅜ ₁₆	0.815	0.378	1.346	1.614	1 ⅜ ₃₂	⅞ ₃₂	1 ¼	1 ½ ₃₂	1.5				
25	⅞	NAU4LKST205-14	NAU4LK205-14	89	76	9	60	25	32	37.1	19	93	46	23.9	12.8	37.3	44	44	18	32	12	0.7				
	1 ⅝ ₁₆	NAU4LKST205-15	NAU4LK205-15																				3 ½	2 ⅝ ⁶⁴	⅜ ₃₂	2 ⅜ ₁₆
30	1	NAU4LKST205-16	NAU4LK205-16	102	89	9	67	27	37	39.4	22	106	52	25.7	13.3	39.2	50	50	18	37	12	1.0				
	1 ½	NAU4LKST206-18	NAU4LK206-18																				4 ½ ₃₂	3 ½	⅜ ₃₂	2 ⅝ ₁₆
35	1 ⅜ ₁₆	NAU4LKST206-19	NAU4LK206-19	102	89	11	75	31	37	41.7	22	119	56	29.4	16.7	42.8	57	56	18	37	12	1.3				
	1 ¼	NAU4LKST206-20	NAU4LK206-20																				4 ½ ₃₂	3 ½	⅞ ₁₆	2 ⅝ ₁₆
35	1 ¼	NAU4LKST207-20	NAU4LK207-20	102	89	11	75	31	37	41.7	22	119	56	29.4	16.7	42.8	57	56	18	37	12	1.3				
	1 ⅝ ₁₆	NAU4LKST207-21	NAU4LK207-21																				4 ½ ₃₂	3 ½	⅞ ₁₆	2 ⅝ ₁₆
35	1 ⅝ ₁₆	NAU4LKST207-22	NAU4LK207-22	102	89	11	75	31	37	41.7	22	119	56	29.4	16.7	42.8	57	56	18	37	12	1.3				
	1 ⅜ ₁₆	NAU4LKST207-23	NAU4LK207-23																				4 ½ ₃₂	3 ½	⅞ ₁₆	2 ⅝ ₁₆

STAINLESS STEEL HOUSED UNITS WITH POLY-ROUND INSERTS

STAINLESS STEEL TAKE-UP UNITS WITH POLY-ROUND INSERTS



Shaft Dia. d		Take-Up Unit Designation	Poly-Round Insert Designation	Dimensions																	Wt.			
				H	H ₁	L ₂	L ₁	A ₂	A	A ₀	N	L	H ₂	B	S	B ₁	d ₁	L ₃	N ₁	N ₂		A ₁		
mm	in.			mm	mm	mm	mm	mm	mm	mm	mm	mm	mm	mm	mm	mm	mm	mm	mm	mm	mm	mm	mm	kg
				in.	in.	in.	in.	in.	in.	in.	in.	in.	in.	in.	in.	in.	in.	in.	in.	in.	in.	in.	in.	lbs.
40	1 ½	NAU4LKST208-24	NAU4LK208-24	114	102	14	85	32	49	43.7	29	135	74	34.2	19.1	47.6	60	64	20	49	16	1.8		
	1 ⅝	NAU4LKST208-25	NAU4LK208-25	4 ½	4 ½ ₂	⅝	3 11 ₂	1 ¼	1 15 ₁₆	1.720	1 ½ ₂	5 5 ₁₆	2 29 ₃₂	1.346	0.752	1.874	2.362	2 17 ₃₂	29 ₃₂	1 15 ₁₆	5 ₈	4.0		
		NAU4LKST208	NAU4LK208																					
45	1 ¾	NAU4LKST209-26	NAU4LK209-26	117	102	14	85	34	49	47.9	29	137	74	33.7	18.6	50.3	70	66	20	49	16	1.9		
	1 ⅞	NAU4LKST209-27	NAU4LK209-27	4 19 ₃₂	4 ½ ₂	⅝	3 11 ₂	1 11 ₂	1 15 ₁₆	1.890	1 ½ ₂	5 13 ₃₂	2 29 ₃₂	1.327	0.732	1.980	2.756	2 17 ₃₂	29 ₃₂	1 15 ₁₆	5 ₈	4.3		
		NAU4LKST209	NAU4LK209																					
50	1 7 ₈	NAU4LKST210-30	NAU4LK210-30	117	102	14	87	35	49	48.6	29	143	74	36.1	21.0	52.7	76	72	20	49	16	2.1		
	1 ⅞	NAU4LKST210-31	NAU4LK210-31	4 19 ₃₂	4 ½ ₂	⅝	3 7 ₁₆	1 3 ₈	1 15 ₁₆	1.919	1 ½ ₂	5 5 ₈	2 29 ₃₂	1.421	0.827	2.075	2.992	2 27 ₃₂	29 ₃₂	1 15 ₁₆	5 ₈	4.5		
		NAU4LKST210	NAU4LK210																					
	2	NAU4LKST210-32	NAU4LK210-32																					

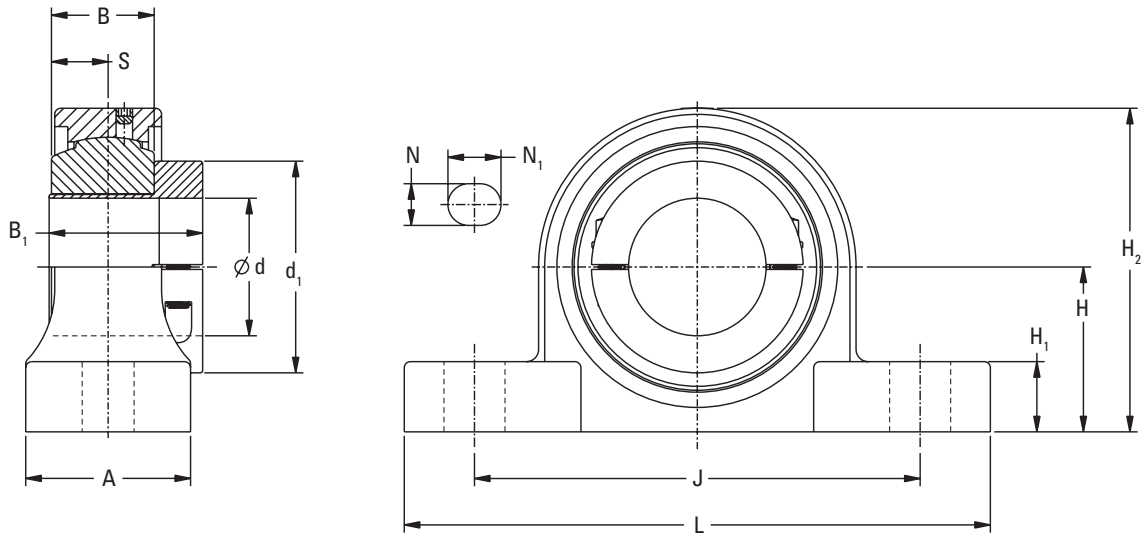


***POLYMER (THERMOPLASTIC)
HOUSED UNITS WITH
POLY-ROUND INSERTS***

The following topics are covered within this section:

Polymer Two-Bolt Pillow Block Units With Poly-Round Inserts26
Polymer Two-Bolt Flanged Units With Poly-Round Inserts28
Polymer Three-Bolt Flanged Units With Poly-Round Inserts30
Polymer Four-Bolt Flanged Units With Poly-Round Inserts32

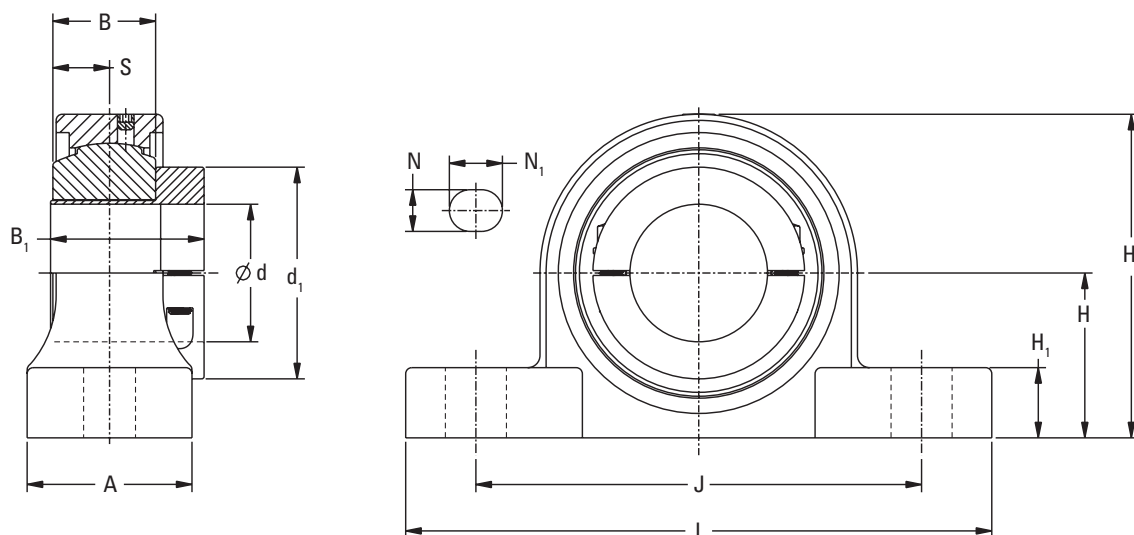
POLYMER TWO-BOLT PILLOW BLOCK UNITS WITH POLY-ROUND INSERTS



Shaft Dia. d		Pillow Block Designation	Poly-Round Insert Designation	Dimensions												Bolt Size	Wt.
				H	L	A	H ₁	J	H ₂	B	S	B ₁	d ₁	N	N ₁		
mm	in.																
20	¾	NAU4LKPLP204-12	NAU4LK204-12	33.3	127	38	14.2	95	65.5	20.7	9.6	34.2	41	11	14	M10	0.3
		NAU4LKPLP204	NAU4LK204	1 ⅞	5	1 ½	⅝	3 ¾	2 ⅞	0.815	0.378	1.346	1.614	⅞	⅞	⅜	0.6
25	⅞	NAU4LKPLP205-14	NAU4LK205-14	36.5	140.5	38	16	105	71	23.9	12.8	37.3	44	11	14	M10	0.3
	1 ⅞	NAU4LKPLP205-15	NAU4LK205-15														
		NAU4LKPLP205	NAU4LK205														
30	1	NAU4LKPLP205-16	NAU4LK205-16	42.9	163	46	17.8	119	84	25.7	13.3	39.2	50	14	18	M12	0.5
	1 ⅞	NAU4LKPLP206-18	NAU4LK206-18														
		NAU4LKPLP206	NAU4LK206														
	1 ⅜	NAU4LKPLP206-19	NAU4LK206-19														
	1 ¼	NAU4LKPLP206-20	NAU4LK206-20														
35	1 ¼	NAU4LKPLP207-20	NAU4LK207-20	47.6	168	48	18	127	94.5	29.4	16.7	42.8	57	14	18	M12	0.6
	1 ⅞	NAU4LKPLP207-21	NAU4LK207-21														
	1 ⅜	NAU4LKPLP207-22	NAU4LK207-22														
		NAU4LKPLP207	NAU4LK207														
	1 ⅞	NAU4LKPLP207-23	NAU4LK207-23														

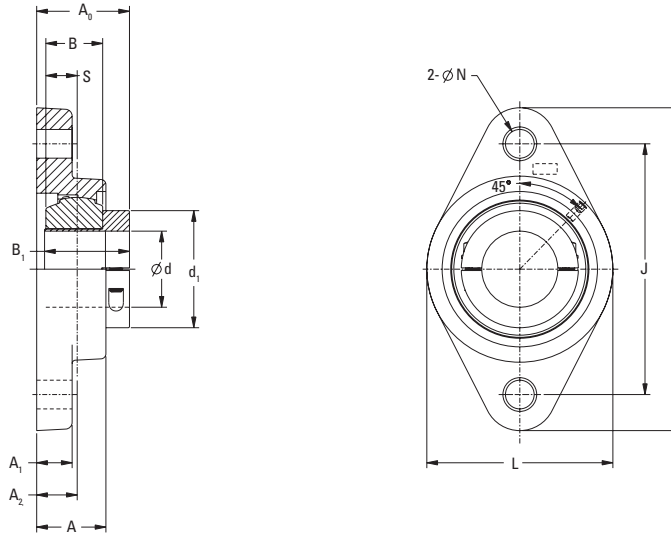
POLYMER (THERMOPLASTIC) HOUSED UNITS

POLYMER TWO-BOLT PILLOW BLOCK UNITS WITH POLY-ROUND INSERTS



Shaft Dia. d		Pillow Block Designation	Poly-Round Insert Designation	Dimensions												Bolt Size	Wt.														
				H	L	A	H ₁	J	H ₂	B	S	B ₁	d ₁	N	N ₁																
mm	in.																														
40	1 ½	NAU4LKPLP208-24	NAU4LK208-24	49.2	184	54	19.5	137	101	34.2	19.1	47.6	60	14	18	M14	0.8														
	1 ⅝	NAU4LKPLP208-25	NAU4LK208-25															1 15/16	7 ¼	2 ½	2 5/32	5 13/32	3 31/32	1.346	0.752	1.874	2.362	9/16	2 3/32	5/8	1.7
		NAU4LKPLP208	NAU4LK208																												
45	1 ⅝	NAU4LKPLP209-26	NAU4LK209-26	54	192	54	23	146	106	33.7	18.6	50.3	70	17	20	M14	0.9														
	1 11/16	NAU4LKPLP209-27	NAU4LK209-27															2 ½	7 9/16	2 ½	2 9/32	5 3/4	4 3/16	1.327	0.732	1.980	2.756	4 3/64	2 5/32	5/8	2.0
	1 ¾	NAU4LKPLP209-28	NAU4LK209-28																												
50	1 7/8	NAU4LKPLP210-30	NAU4LK210-30	57.2	206	60	23	159	114	36.1	21.0	52.7	76	17	20	M14	1.1														
	1 15/16	NAU4LKPLP210-31	NAU4LK210-31															2 ¼	8 1/8	2 3/8	2 9/32	6 ¼	4 ½	1.421	0.827	2.075	2.992	4 3/64	2 5/32	5/8	2.4
		NAU4LKPLP210	NAU4LK210																												
	2	NAU4LKPLP210-32	NAU4LK210-32																												

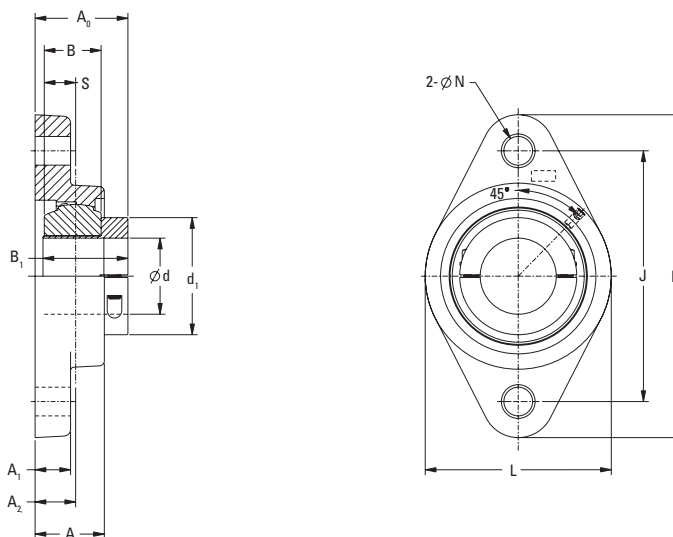
POLYMER TWO-BOLT FLANGED UNITS WITH POLY-ROUND INSERTS



Shaft Dia. d		Two-Bolt Flange Designation	Poly-Round Insert Designation	Dimensions												Bolt Size	Wt.														
				H	J	A ₁	A	A ₀	L	A ₂	B	S	B ₁	d ₁	N																
mm	in.			mm in.	mm in.	mm in.	mm in.	mm in.	mm in.	mm in.	mm in.	mm in.	mm in.	mm in.	mm in.	mm in.	kg lbs.														
20	3/4	NAU4LKPLFL204-12	NAU4LK204-12	113	90	13.4	27	38.9	65	15	20.7	9.6	34.2	41	11	M8	0.2														
		NAU4LKPLFL204	NAU4LK204	4 7/16	3 3/8	17/32	1 1/16	1.531	2 5/16	19/32	0.815	0.378	1.346	1.614	7/16	3/8	0.5														
25	7/8	NAU4LKPLFL205-14	NAU4LK205-14	131	99	13.8	28.2	40.6	70	16	23.9	12.8	37.3	44	11	M8	0.3														
	1 5/16	NAU4LKPLFL205-15	NAU4LK205-15																												
		NAU4LKPLFL205	NAU4LK205															5 1/2	3 7/8	17/32	1 3/4	1.600	2 3/4	5/8	0.941	0.504	1.469	1.732	7/16	3/8	0.6
30	1	NAU4LKPLFL205-16	NAU4LK205-16	148	117	14.3	31	43.9	80	18	25.7	13.3	39.2	50	11	M8	0.4														
	1 1/8	NAU4LKPLFL206-18	NAU4LK206-18																												
		NAU4LKPLFL206	NAU4LK206															5 13/16	4 39/64	9/16	1 7/8	1.729	3 1/2	5/8	1.012	0.524	1.543	1.969	7/16	3/8	0.9
	1 1/4	NAU4LKPLFL206-20	NAU4LK206-20																												
35	1 1/4	NAU4LKPLFL207-20	NAU4LK207-20	164	130	15.5	32.7	45.2	90	19	29.4	16.7	42.8	57	13	M10	0.5														
	1 5/8	NAU4LKPLFL207-21	NAU4LK207-21																												
		NAU4LKPLFL207-22	NAU4LK207-22															6 15/32	5 1/8	5/8	1 1/2	1.778	3 17/32	3/4	1.157	0.657	1.685	2.244	33/64	7/16	1.2
	1 3/8	NAU4LKPLFL207-22	NAU4LK207-22																												
		NAU4LKPLFL207	NAU4LK207																												
	1 7/8	NAU4LKPLFL207-23	NAU4LK207-23																												

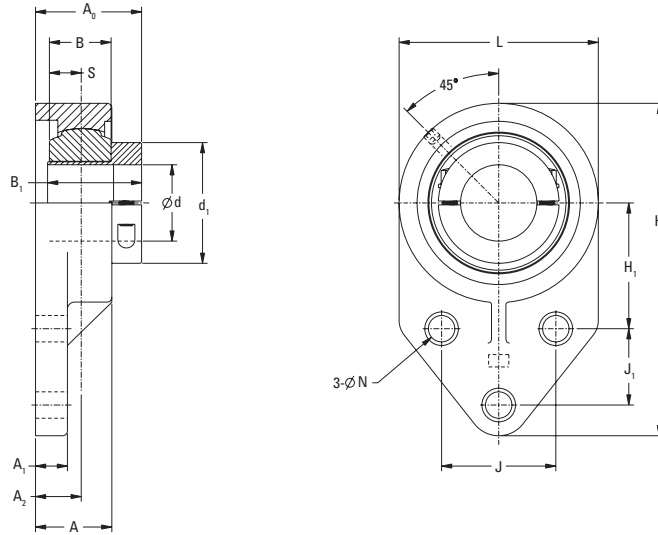
POLYMER (THERMOPLASTIC) HOUSED UNITS

POLYMER TWO-BOLT FLANGED UNITS WITH POLY-ROUND INSERTS



Shaft Dia. d		Two-Bolt Flange Designation	Poly-Round Insert Designation	Dimensions												Bolt Size	Wt.	
				H	J	A ₁	A	A ₀	L	A ₂	B	S	B ₁	d ₁	N			
mm	in.																kg	lbs.
40	1 ½	NAU4LKPLFL208-24	NAU4LK208-24	176 6 13/16	144 5 43/64	16.5 2 1/2	35.2 1 25/64	48.7 1.917	100 3 15/16	21 53/64	34.2 1.346	19.1 0.752	47.6 1.874	60 2.362	14 35/64	M12 ½	0.7 1.5	
	1 5/16	NAU4LKPLFL208-25	NAU4LK208-25															
		NAU4LKPLFL208	NAU4LK208															
45	1 5/8	NAU4LKPLFL209-26	NAU4LK209-26	189	148.5	21	41	54.9	108	24	33.7	18.6	50.3	70	17	M14	0.8	
	1 11/16	NAU4LKPLFL209-27	NAU4LK209-27															
	1 ¾	NAU4LKPLFL209-28	NAU4LK209-28															
50		NAU4LKPLFL209	NAU4LK209	197	157	21	43	56.1	115	25	36.1	21.0	52.7	76	17	M14	1.0	
	1 7/8	NAU4LKPLFL210-30	NAU4LK210-30															
	1 15/16	NAU4LKPLFL210-31	NAU4LK210-31															
50		NAU4LKPLFL210	NAU4LK210	7 ¾	6 3/16	53/64	1 11/16	2.214	4 17/32	63/64	1.421	0.827	2.075	2.992	43/64	½	2.1	
	2	NAU4LKPLFL210-32	NAU4LK210-32															

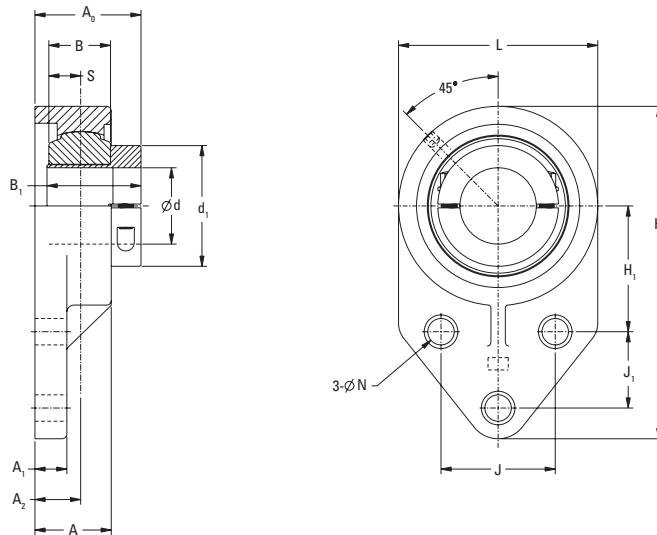
POLYMER THREE-BOLT FLANGED UNITS WITH POLY-ROUND INSERTS



Shaft Dia. d		Three-Bolt Flange Designation	Poly-Round Insert Designation	Dimensions														Bolt Size	Wt.																
				H	H ₁	J ₁	J	L	A	A ₂	A ₀	A ₁	B	S	B ₁	d ₁	N																		
mm	in.			mm in.	mm in.	mm in.	mm in.	mm in.	mm in.	mm in.	mm in.	mm in.	mm in.	mm in.	mm in.	mm in.	mm in.	mm in.	mm in.	kg lbs															
20	¾	NAU4LKPLFB204-12	NAU4LK204-12	108	42.9	22.2	38.1	63.5	26.1	15.4	39.3	11.4	20.7	9.6	34.2	41	11	M10	0.2																
		NAU4LKPLFB204	NAU4LK204	4 ¼	1 11/16	7/8	1 ½	2 ½	1 ½	39/64	1.546	7/16	0.815	0.378	1.346	1.614	7/16	¾	0.5																
25	7/8	NAU4LKPLFB205-14	NAU4LK205-14	121	46	28.6	41.3	70	34.1	21.5	46.1	11.4	23.9	12.8	37.3	44	11	M10	0.3																
	1 5/16	NAU4LKPLFB205-15	NAU4LK205-15																	4 ¾	1 13/16	1 ½	1 5/8	2 ¾	1 11/32	27/32	1.816	7/16	0.941	0.504	1.469	1.732	7/16	¾	0.7
	1	NAU4LKPLFB205-16	NAU4LK205-16																																
30	1 ½	NAU4LKPLFB206-18	NAU4LK206-18	138.5	52.4	31.8	47.6	83	32.3	19.3	45.2	13.3	25.7	13.3	39.2	50	11	M10	0.4																
		NAU4LKPLFB206	NAU4LK206																	5 29/64	2 1/16	1 ¼	1 7/8	3 ¼	1 ½	49/64	1.780	17/32	1.012	0.524	1.543	1.969	7/16	¾	1.0
	1 3/16	NAU4LKPLFB206-19	NAU4LK206-19																																
	1 ¼	NAU4LKPLFB206-20	NAU4LK206-20																																

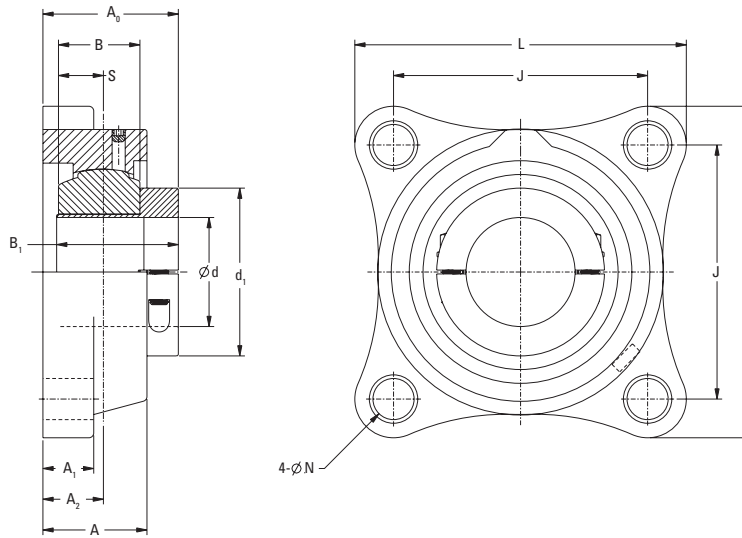
POLYMER (THERMOPLASTIC) HOUSED UNITS

POLYMER THREE-BOLT FLANGED UNITS WITH POLY-ROUND INSERTS

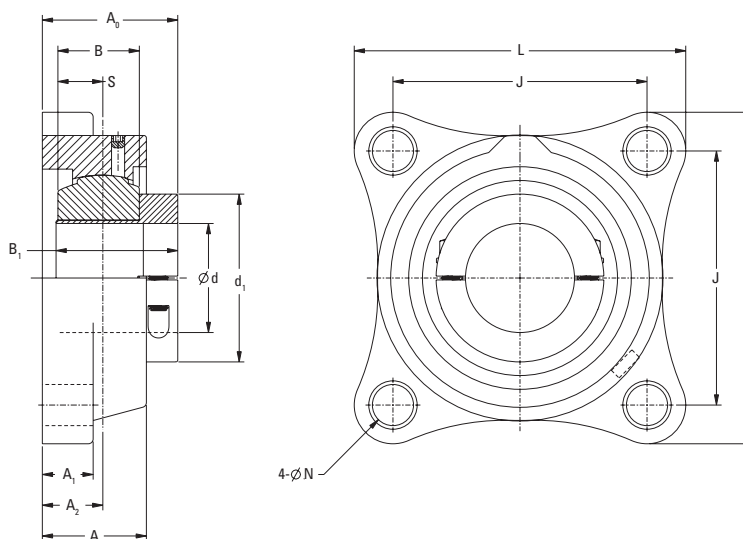


Shaft Dia. d		Three-Bolt Flange Designation	Poly-Round Insert Designation	Dimensions														Bolt Size	Wt.																
				H	H ₁	J ₁	J	L	A	A ₂	A ₀	A ₁	B	S	B ₁	d ₁	N																		
mm	in.			mm	mm	mm	mm	mm	mm	mm	mm	mm	mm	mm	mm	mm	mm	mm	mm	mm	kg	lbs													
	1 ¼	NAU4LKPLFB207-20	NAU4LK207-20	157	60.3	31.8	50.8	95	36.5	21.7	47.9	16	29.4	16.7	42.8	57	13	M12	0.6																
	1 ⅝	NAU4LKPLFB207-21	NAU4LK207-21																																
	1 ¾	NAU4LKPLFB207-22	NAU4LK207-22																	6 ⅜	2 ⅜	1 ¼	2	3 ¾	1 ⅞	27/32	1.884	⅝	1.157	0.657	1.685	2.244	33/64	½	1.4
35		NAU4LKPLFB207	NAU4LK207																																
	1 ⅞	NAU4LKPLP207-23	NAU4LK207-23																																

POLYMER FOUR-BOLT FLANGED UNITS WITH POLY-ROUND INSERTS



Shaft Dia. d		Four-Bolt Flange Designation	Poly-Round Insert Designation	Dimensions											Bolt Size	Wt.
				L	J	A	A_1	A_2	A_0	B	S	B_1	d_1	N		
mm	in.			mm in.	mm in.	mm in.	mm in.	mm in.	mm in.	mm in.	mm in.	mm in.	mm in.	mm in.	mm in.	kg lbs
20	3/4	NAU4LKPLF204-12	NAU4LK204-12	86	63.5	28.5	13.4	18	41.9	20.7	9.6	34.2	41	11	M10	0.2
		NAU4LKPLF204	NAU4LK204	3 3/8	2 1/2	1 1/8	1 1/32	4 5/64	1.649	0.815	0.378	1.346	1.614	7/16	3/8	0.5
25	7/8	NAU4LKPLF205-14	NAU4LK205-14	95	70	29.2	15.5	17	41.6	23.9	12.8	37.3	44	11	M10	0.3
		NAU4LKPLF205-15	NAU4LK205-15													
		NAU4LKPLF205	NAU4LK205	3 3/4	2 3/4	1 1/2	5/8	4 3/64	1.639	0.941	0.504	1.469	1.732	7/16	3/8	0.7
		NAU4LKPLF205-16	NAU4LK205-16													
30	1 1/8	NAU4LKPLF206-18	NAU4LK206-18	107	83	32.2	14.5	19.2	45.1	25.7	13.3	39.2	50	11	M10	0.5
		NAU4LKPLF206	NAU4LK206													
		NAU4LKPLF206-19	NAU4LK206-19	4 7/32	3 17/64	1 17/64	3/16	3/4	1.776	1.012	0.524	1.543	1.969	7/16	3/8	1.0
		NAU4LKPLF206-20	NAU4LK206-20													
35	1 1/4	NAU4LKPLF207-20	NAU4LK207-20	118	92	35.2	15.5	21.5	47.7	29.4	16.7	42.8	57	13	M12	0.6
		NAU4LKPLF207-21	NAU4LK207-21													
		NAU4LKPLF207-22	NAU4LK207-22	4 21/32	3 3/8	1 25/64	3/8	2 1/32	1.876	1.157	0.657	1.685	2.244	33/64	1/2	1.3
		NAU4LKPLF207	NAU4LK207													
		NAU4LKPLF207-23	NAU4LK207-23													



Shaft Dia. d		Four-Bolt Flange Designation	Poly-Round Insert Designation	Dimensions											Bolt Size	Wt.
				L	J	A	A ₁	A ₂	A ₀	B	S	B ₁	d ₁	N		
mm	in.															
40	1 ½	NAU4LKPLF208-24	NAU4LK208-24	130	102	37.2	17	23	50.7	34.2	19.1	47.6	60	14	M12	0.8
	1 ⅝	NAU4LKPLF208-25	NAU4LK208-25													
		NAU4LKPLF208	NAU4LK208													
45	1 ⅝	NAU4LKPLF209-26	NAU4LK209-26	137	105	41	19	24	54.9	33.7	18.6	50.3	70	17	M14	0.9
	1 ⅞	NAU4LKPLF209-27	NAU4LK209-27													
	1 ¾	NAU4LKPLF209-28	NAU4LK209-28													
50		NAU4LKPLF209	NAU4LK209	143	111	43	21	25	56.1	36.1	21.0	52.7	76	17	M14	1.0
	1 7/8	NAU4LKPLF210-30	NAU4LK210-30													
	1 ⅞	NAU4LKPLF210-31	NAU4LK210-31													
50		NAU4LKPLF210	NAU4LK210	5 ⅝	4 ¾	1 ⅞	⅝	⅝	2.214	1.421	0.827	2.075	2.992	⅝	½	2.2
	2	NAU4LKPLF210-32	NAU4LK210-32													

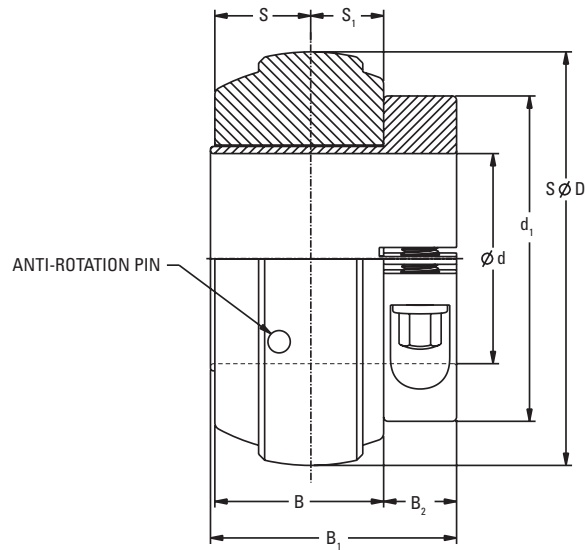


INSERTS

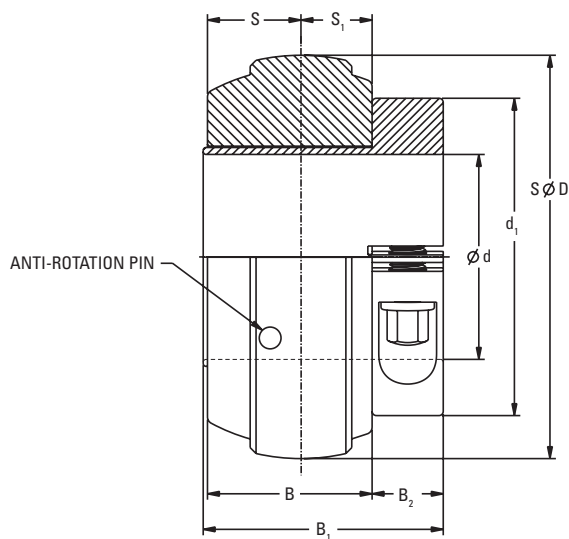
The following topics are covered within this section:

Poly-Round Inserts36

POLY-ROUND INSERTS



Shaft Dia. d		Poly-Round Insert With Locking Sleeve Designation	Poly-Round Bearing For Use With Locking Sleeve Designation	Dimensions							Wt.								
				D	B	B ₁	S ₁	S	d ₁	B ₂									
mm	in.			mm in.	mm in.	mm in.	mm in.	mm in.	mm in.	mm in.	kg lbs.								
20	3/4	NAU4LK204-12	NAU4204	47	20.7	34.2	11.2	9.6	41	12.7	0.1								
		NAU4LK204	NAU4204	1.850	0.815	1.346	0.441	0.378	1.614	0.500	0.3								
25	7/8	NAU4LK205-14	NAU4205	52	23.9	37.3	11.9	12.8	44	12.7	0.2								
	15/16	NAU4LK205-15	NAU4205									2.047	0.941	1.469	0.469	0.504	1.732	0.500	0.4
		NAU4LK205	NAU4205																
30	1	NAU4LK205-16	NAU4205	62	25.7	39.2	13.2	13.3	50	12.7	0.3								
	1 1/8	NAU4LK206-18	NAU4206									2.441	1.012	1.543	0.520	0.524	1.969	0.500	0.6
		NAU4LK206	NAU4206																
	1 3/16	NAU4LK206-19	NAU4206																
35	1 1/4	NAU4LK206-20	NAU4206	72	29.4	42.8	13.5	16.7	57	12.7	0.4								
	1 1/4	NAU4LK207-20	NAU4207									2.835	1.157	1.685	0.531	0.657	2.244	0.500	0.8
	1 5/16	NAU4LK207-21	NAU4207																
	1 3/8	NAU4LK207-22	NAU4207																
		NAU4LK207	NAU4207																
1 7/16	NAU4LK207-23	NAU4207																	



Shaft Dia. d		Poly-Round Insert With Locking Sleeve Designation	Poly-Round Bearing For Use With Locking Sleeve Designation	Dimensions							Wt.
				D	B	B ₁	S ₁	S	d ₁	B ₂	
mm	in.			mm in.	mm in.	mm in.	mm in.	mm in.	mm in.	mm in.	kg lbs.
40	1 1/2	NAU4LK208-24	NAU4208	80 3.150	34.2 1.346	47.6 1.874	15.0 0.591	19.1 0.752	60 2.362	12.7 0.500	0.5 1.0
	1 5/8	NAU4LK208-25	NAU4208								
		NAU4LK208	NAU4208								
45	1 5/8	NAU4LK209-26	NAU4209	85 3.346	33.7 1.327	50.3 1.980	15.0 0.591	18.6 0.732	70 2.756	15.9 0.626	0.5 1.2
	1 7/8	NAU4LK209-27	NAU4209								
	1 3/4	NAU4LK209-28	NAU4209								
50	1 7/8	NAU4LK210-30	NAU4210	90 3.543	36.1 1.421	52.7 2.075	15.2 0.598	21.0 0.827	76 2.992	15.9 0.626	0.6 1.3
	1 9/16	NAU4LK210-31	NAU4210								
		NAU4LK210	NAU4210								
	2	NAU4LK210-32	NAU4210								

CORROSION-RESISTANT PRODUCT OFFERING

Timken offers a full range of standard corrosion-resistant ball bearing housed units with stainless steel set screw inserts - see catalog order No 11222 (2019). The catalog range includes:

- Stainless steel set screw ball bearing inserts available in 204-210 series (20 mm - 50 mm and ¾ in. - 2 in.).
- Cast stainless steel and polymer (thermoplastic) housed units in 6 styles, as shown in table 6 (orange dots).
- Additional non-catalog BHU styles available and shown in table 6 (black dots).

TABLE 6.
CURRENT CORROSION-RESISTANT PRODUCT OFFERING

Type	Housing Style	Stainless Housing							Polymer (Thermoplastic) Housing						
		Insert Series							Insert Series						
		204	205	206	207	208	209	210	204	205	206	207	208	209	210
Standard Housings (S, PL)	Pillow block (P)	●	●	●	●	●	●	●	●	●	●	●	●	●	●
	Two-bolt flange (FL)	●	●	●	●	●	●	●	●	●	●	●	●	●	●
	Three-bolt flange (FB)	●	●	●	●	●			●	●	●	●			
	Four-bolt flange (F)	●	●	●	●	●	●	●	●	●	●	●	●	●	●
	Take-up, wide slot (T)	●	●	●	●	●	●	●							
	Tapped base (TB)	●	●	●	●	●	●	●							
	Tapped base, Y series design with imperial thread (TBY)	●	●	●	●	●			●	●	●	●	●	●	●

● Current offering shown in catalog product tables.

● For product data, price and availability, contact your local sales representative.

ADDITIONAL CORROSION-RESISTANT PRODUCT OFFERING

- Additional inserts series and housing style.
- Premium Hygienic Design Stainless Steel A and Blue Polymer (thermoset) B Housings.
- For product data, price and availability, contact your local Timken sales representative.

TABLE 7.
ADDITIONAL CORROSION-RESISTANT PRODUCT OFFERING

Type	Housing Style	Stainless Housing														Polymer (Thermoset) Housing													
		Insert Series														Insert Series													
		203	204	205	206	207	208	209	210	211	212	214	215	216	203	204	205	206	207	208	209	210	211	212	214	215	216		
Premium Hygienic Design Stainless Steel A Blue Polymer (thermoset) B Housings	Pillow block (P) ⁽¹⁾	●	●	●	●	●	●	●	●	●	●	●	●	●	●	●	●	●	●	●	●	●	●	●	●	●			
	Pillow block, low-base (PL)	●	●	●	●	●	●	●	●	●	●	●	●	●	●	●	●	●	●	●	●	●	●	●	●	●			
	Two-bolt flange (FL) ⁽¹⁾	●	●	●	●	●	●	●	●	●	●	●	●	●	●	●	●	●	●	●	●	●	●	●	●	●			
	Two-bolt flange, small bolt pattern (FLS)	●	●	●	●	●									●	●	●	●	●										
	Three-bolt flange (FB) ⁽¹⁾	●	●	●	●	●	●	●	●	●	●	●	●	●	●	●	●	●	●	●	●	●	●	●	●	●			
	Three-bolt flange, round (RFB)	●	●	●	●	●	●	●	●						●	●	●	●	●										
	Four-bolt flange (F) ⁽¹⁾	●	●	●	●	●	●	●	●	●	●	●	●	●	●	●	●	●	●	●	●	●	●	●	●	●			
	Piloted flange, four-bolt (FC)			●	●	●	●	●	●	●	●	●	●	●			●	●	●	●	●	●	●	●	●	●			
	Take-up, wide slot (T)	●	●	●	●	●	●	●	●	●	●	●	●	●	●	●	●	●	●	●	●	●	●	●	●	●			
	Take-up, narrow slot (TN)	●	●	●	●	●	●	●	●	●	●	●	●	●	●	●	●	●	●	●	●	●	●	●	●	●			
	Tapped base, Y series design with imperial thread (TBY) ⁽¹⁾	●	●	●	●	●	●	●	●	●	●	●	●	●	●	●	●	●	●	●	●	●	●						
	Tapped base, Y series design with metric thread (TBYM) ⁽¹⁾	●	●	●	●	●	●	●	●	●	●	●	●	●	●	●	●	●	●	●	●	●	●	●					
	Hanger bearing (H)	●	●	●	●	●	●	●	●	●	●	●	●	●															

⁽¹⁾QuiKlean® housings available in pillow block, tapped base, two-bolt, three-bolt extension and four-bolt flanges as standard (204-210 insert series). QuiKlean provides integral stand-off and eliminates gaps and crevices for maximum sanitation.

● For product data, price and availability, contact your local Timken sales representative.

Алматы (7273)495-231
Ангарск (3955)60-70-56
Архангельск (8182)63-90-72
Астрахань (8512)99-46-04
Барнаул (3852)73-04-60
Белгород (4722)40-23-64
Благовещенск (4162)22-76-07
Брянск (4832)59-03-52
Владивосток (423)249-28-31
Владикавказ (8672)28-90-48
Владимир (4922)49-43-18
Волгоград (844)278-03-48
Вологда (8172)26-41-59
Воронеж (473)204-51-73
Екатеринбург (343)384-55-89

Иваново (4932)77-34-06
Ижевск (3412)26-03-58
Иркутск (395)279-98-46
Казань (843)206-01-48
Калининград (4012)72-03-81
Калуга (4842)92-23-67
Кемерово (3842)65-04-62
Киров (8332)68-02-04
Коломна (4966)23-41-49
Кострома (4942)77-07-48
Краснодар (861)203-40-90
Красноярск (391)204-63-61
Курск (4712)77-13-04
Курган (3522)50-90-47
Липецк (4742)52-20-81

Магнитогорск (3519)55-03-13
Москва (495)268-04-70
Мурманск (8152)59-64-93
Набережные Челны (8552)20-53-41
Нижний Новгород (831)429-08-12
Новокузнецк (3843)20-46-81
Ноябрьск (3496)41-32-12
Новосибирск (383)227-86-73
Омск (3812)21-46-40
Орел (4862)44-53-42
Оренбург (3532)37-68-04
Пенза (8412)22-31-16
Петрозаводск (8142)55-98-37
Псков (8112)59-10-37
Пермь (342)205-81-47

Ростов-на-Дону (863)308-18-15
Рязань (4912)46-61-64
Самара (846)206-03-16
Санкт-Петербург (812)309-46-40
Саратов (845)249-38-78
Севастополь (8692)22-31-93
Саранск (8342)22-96-24
Симферополь (3652)67-13-56
Смоленск (4812)29-41-54
Сочи (862)225-72-31
Ставрополь (8652)20-65-13
Сургут (3462)77-98-35
Сыктывкар (8212)25-95-17
Тамбов (4752)50-40-97
Тверь (4822)63-31-35

Тольятти (8482)63-91-07
Томск (3822)98-41-53
Тула (4872)33-79-87
Тюмень (3452)66-21-18
Ульяновск (8422)24-23-59
Улан-Удэ (3012)59-97-51
Уфа (347)229-48-12
Хабаровск (4212)92-98-04
Чебоксары (8352)28-53-07
Челябинск (351)202-03-61
Череповец (8202)49-02-64
Чита (3022)38-34-83
Якутск (4112)23-90-97
Ярославль (4852)69-52-93

Россия +7(495)268-04-70

Казахстан +7(7172)727-132

Киргизия +996(312)96-26-47

<https://timken.nt-rt.ru/> || tek@nt-rt.ru