



TIMKEN® CORROSION-RESISTANT MOUNTED BALL BEARINGS CATALOG

Алматы (7273)495-231
 Ангарск (3955)60-70-56
 Архангельск (8182)63-90-72
 Астрахань (8512)99-46-04
 Барнаул (3852)73-04-60
 Белгород (4722)40-23-64
 Благовещенск (4162)22-76-07
 Брянск (4832)59-03-52
 Владивосток (423)249-28-31
 Владикавказ (8672)28-90-48
 Владимир (4922)49-43-18
 Волгоград (844)278-03-48
 Вологда (8172)26-41-59
 Воронеж (473)204-51-73
 Екатеринбург (343)384-55-89

Иваново (4932)77-34-06
 Ижевск (3412)26-03-58
 Иркутск (395)279-98-46
 Казань (843)206-01-48
 Калининград (4012)72-03-81
 Калуга (4842)92-23-67
 Кемерово (3842)65-04-62
 Киров (8332)68-02-04
 Коломна (4966)23-41-49
 Кострома (4942)77-07-48
 Краснодар (861)203-40-90
 Красноярск (391)204-63-61
 Курск (4712)77-13-04
 Курган (3522)50-90-47
 Липецк (4742)52-20-81

Магнитогорск (3519)55-03-13
 Москва (495)268-04-70
 Мурманск (8152)59-64-93
 Набережные Челны (8552)20-53-41
 Нижний Новгород (831)429-08-12
 Новокузнецк (3843)20-46-81
 Ноябрьск (3496)41-32-12
 Новосибирск (383)227-86-73
 Омск (3812)21-46-40
 Орел (4862)44-53-42
 Оренбург (3532)37-68-04
 Пенза (8412)22-31-16
 Петрозаводск (8142)55-98-37
 Псков (8112)59-10-37
 Пермь (342)205-81-47

Ростов-на-Дону (863)308-18-15
 Рязань (4912)46-61-64
 Самара (846)206-03-16
 Санкт-Петербург (812)309-46-40
 Саратов (845)249-38-78
 Севастополь (8692)22-31-93
 Саранск (8342)22-96-24
 Симферополь (3652)67-13-56
 Смоленск (4812)29-41-54
 Сочи (862)225-72-31
 Ставрополь (8652)20-65-13
 Сургут (3462)77-98-35
 Сыктывкар (8212)25-95-17
 Тамбов (4752)50-40-97
 Тверь (4822)63-31-35

Тольятти (8482)63-91-07
 Томск (3822)98-41-53
 Тула (4872)33-79-87
 Тюмень (3452)66-21-18
 Ульяновск (8422)24-23-59
 Улан-Удэ (3012)59-97-51
 Уфа (347)229-48-12
 Хабаровск (4212)92-98-04
 Чебоксары (8352)28-53-07
 Челябинск (351)202-03-61
 Череповец (8202)49-02-64
 Чита (3022)38-34-83
 Якутск (4112)23-90-97
 Ярославль (4852)69-52-93

Россия +7(495)268-04-70

Казахстан +7(7172)727-132

Киргизия +996(312)96-26-47

ABOUT THE TIMKEN COMPANY

As a global leader in bearings and power transmission systems, Timken focuses on precise solution design, materials and craftsmanship to deliver reliable and efficient performance that improves productivity and uptime. Timken offers a full range of bearings, gear drives, automated lubrication systems, belts, chains, couplings and linear motion products along with rebuild and repair services. Timken applies its proven expertise in metallurgy, tribology and mechanical power transmission to create innovative approaches to customers' complex needs. Global availability of products and engineering talent, combined with exceptional service delivery across markets, makes Timken a preferred choice worldwide.



TIMKEN® CORROSION-RESISTANT MOUNTED BALL BEARING CATALOG INDEX

Introduction.....	2
How To Use This Catalog	3
Shelf Life/Storage	3
Warnings.....	4

ENGINEERING

Housing Styles.....	6
End Cover Styles.....	7
Product Information	8
IP69K	10
QuiKlean®.....	12
Housing Styles.....	14
Nomenclature	15
Mounted Bearing Installation	16
Installing Units with Covers.....	17
Lubrication	18
Radial Internal Clearance	19
Speed Ratings	19

STAINLESS STEEL MOUNTED BEARINGS

WITH STAINLESS STEEL BALL BEARING INSERTS

Stainless Steel Two-Bolt Pillow Block Mounted Bearings	22
Stainless Steel Two-Bolt Flanged Mounted Bearings	24
Stainless Steel Three-Bolt Flanged Mounted Bearings.....	26
Stainless Steel Four-Bolt Flanged Mounted Bearings	28
Stainless Steel Tapped-Base Mounted Bearings	30
Stainless Steel Take-Up Mounted Bearings.....	32

WHITE POLYMER (THERMOPLASTIC) MOUNTED BEARINGS

WITH STAINLESS STEEL BALL BEARING INSERTS

Polymer Two-Bolt Pillow Block Mounted Bearings	36
Polymer Two-Bolt Flanged Mounted Bearings	38
Polymer Three-Bolt Flanged Mounted Bearings.....	40
Polymer Four-Bolt Flanged Mounted Bearings	42

HYGIENIC BLUE POLYMER (THERMOSET) MOUNTED BEARINGS

WITH STAINLESS STEEL BALL BEARING INSERTS

Polymer Two-Bolt Pillow Block Mounted Bearings	46
Polymer Two-Bolt Flanged Mounted Bearings	48
Polymer Three-Bolt Flanged Mounted Bearings.....	50
Polymer Four-Bolt Flanged Mounted Bearings	52
Polymer Tapped-Base (Imperial Thread) Mounted Bearings	54
Polymer Tapped-Base (Metric Thread) Mounted Bearings	56
Polymer Take-Up Mounted Bearings.....	58

HYGIENIC STAINLESS STEEL MOUNTED BEARINGS

WITH STAINLESS STEEL BALL BEARING INSERTS

Stainless Steel Two-Bolt Pillow Block Mounted Bearings	62
Stainless Steel Two-Bolt Flanged Mounted Bearings	64
Stainless Steel Three-Bolt Flanged Mounted Bearings.....	66
Stainless Steel Four-Bolt Flanged Mounted Bearings	68
Stainless Steel Tapped-Base (Imperial Thread) Mounted Bearings	70
Stainless Steel Tapped-Base (Metric Thread) Mounted Bearings.....	72
Stainless Steel Take-Up Mounted Bearings.....	74

STAINLESS STEEL SET SCREW LOCKING BALL BEARING INSERTS

Stainless Steel Set Screw Locking Ball Bearing Inserts	78
--	----

CORROSION-RESISTANT MOUNTED BEARINGS END COVERS

Stainless Steel End Covers	82
Polymer End Covers	83
End Cover Dimensions	84

CORROSION-RESISTANT MOUNTED BALL BEARING

PRODUCT OFFERING	86
------------------------	----

TIMKEN® CORROSION-RESISTANT MOUNTED BALL BEARINGS

DESIGNED FOR SAFE, EFFICIENT MANUFACTURING FOR THE FOOD AND BEVERAGE INDUSTRY

Today's consumers are demanding safer and healthier food. It's prompting governments to enforce more stringent food safety regulations. Food and beverage manufacturers/producers need premium products that deliver the machinery uptime and food safety that they, their customers and their governments expect.

Meet these challenges head-on with Timken. Our Corrosion-Resistant Mounted Ball Bearings are an ideal fit for a variety of applications, including grinding and mixing equipment, extrusion, bagging, conveying and more.

Corrosion-Resistant Mounted Ball Bearings

Corrosion-resistant materials and food-grade lubricant help elevate food safety and production uptime. These products also deliver improved reliability and protect against a variety of wet and dry contaminants, dramatically improve bearing life.

- Stainless steel ball bearing inserts with set screw
- Housings available in cast stainless steel, white polymer (thermoplastic) as well as in hygienic blue polymer (thermoset) and hygienic stainless steel, in all mounting styles
- Interchangeable industry-standard mounted bearing from 20 mm to 50 mm (¾ in. to 2 in.)
- Designed for normal operation between -20° C and 100° C (-4° F and 212° F)
- Solid Lube options

Improve Food Safety

Our products meet the most stringent food safety legislation and regulations. You gain reliable operations with peak performance in critical machines.

Achieve Lower Cost Of Ownership

Long-lasting products and predictive maintenance help you avoid sudden, expensive shutdowns. Head off costly changeouts with products designed to handle corrosion, thermal expansion and harsh chemicals.



HOW TO USE THIS CATALOG

We designed this catalog to help you find the Timken bearings best suited to your equipment needs and specifications. Timken offers an extensive range of bearings and accessories in both imperial and metric sizes. For your convenience, size ranges are indicated in millimeters and inches. Contact your Timken engineer to learn more about our complete line for the special needs of your application.

This publication contains dimensions, tolerances and load ratings, as well as engineering sections describing mounting and fitting practices for shafts and housings, internal clearances, materials and other bearing features.

It provides valuable assistance in the initial consideration of the type and characteristics of the bearings that may best suit your particular needs.

ISO, as used in this publication, refers to the International Organization for Standardization and JIS refers to the Japanese Industrial Standards.

SHELF LIFE AND STORAGE OF GREASE-LUBRICATED BEARINGS AND COMPONENTS

To help you get the most value from our products, Timken provides guidelines for the shelf life of grease-lubricated ball and roller bearings, components and assemblies. Shelf life information is based on Timken and industry test data and experience.

SHELF LIFE

Shelf life should be distinguished from lubricated bearing/component design life as follows:

Shelf life of the grease-lubricated bearing/component represents the period of time prior to use or installation.

The shelf life is a portion of the anticipated aggregate design life. It is impossible to accurately predict design life due to variations in lubricant bleed rates, oil migration, operating conditions, installation conditions, temperature, humidity and extended storage.

TIMKEN IS NOT RESPONSIBLE FOR THE SHELF LIFE OF ANY BEARING/COMPONENT LUBRICATED BY ANOTHER PARTY.

European REACH compliance

Timken lubricants, greases and similar products sold in standalone containers or delivery systems are subject to the European REACH (Registration, Evaluation, Authorization and Restriction of CHemicals) directive. For import into the European Union, Timken can sell and provide only those lubricants and greases that are registered with ECHA (European CHemical Agency). For further information, please contact your Timken engineer.

STORAGE

Timken suggests the following storage guidelines for our finished products (bearings, components and assemblies, referred to as "products"):

- Unless directed otherwise by Timken, products should be kept in their original packaging until they are ready to be placed into service
- Do not remove or alter any labels or stencil markings on the packaging
- Products should be stored in such a way that the packaging is not pierced, crushed or otherwise damaged
- After a product is removed from its packaging, it should be placed into service as soon as possible
- When removing a product that is not individually packaged from a bulk pack container, the container should be resealed immediately after the product is removed
- The storage area temperature should be maintained between 0° C and 40° C; temperature fluctuations should be minimized
- The relative humidity should be maintained below 60 percent and the surfaces should be dry
- The storage area should be kept free from airborne contaminants such as, but not limited to, dust, dirt, harmful vapors, etc.
- The storage area should be isolated from undue vibration
- Extreme conditions of any kind should be avoided

Due to the fact that Timken is not familiar with your particular storage conditions, we strongly suggest following these guidelines. However, you may be required by circumstances or applicable government requirements to adhere to stricter storage requirements.

Be careful in selecting lubrication, however, since different lubricants are often incompatible.

When you receive a bearing shipment, do not remove products from their packaging until they are ready for mounting so they do not become corroded or contaminated.

Store bearings and bearing housings in an appropriate atmosphere so they remain protected for the intended period.

**WARNING**

Failure to observe the following warnings could create a risk of death or serious injury.

Proper maintenance and handling practices are critical. Always follow installation instructions and maintain proper lubrication.

Never spin a bearing with compressed air.
The components may be forcefully expelled.

Overheated bearings can ignite explosive atmospheres. Special care must be taken to properly select, install, maintain and lubricate mounted bearings that are used in or near atmospheres that may contain explosive levels of combustible gases or accumulations of dust such as grain, coal, or other combustible materials.

Consult your equipment designer or supplier for installation and maintenance instructions.

If hammer and bar are used for installation or removal of a part, use a mild steel bar (e.g., 1010 or 1020 grade). Mild steel bars are less likely to cause release of high speed fragments from the hammer or bar or the part being installed or removed.

Ungrounded bearings can create static electricity that can ignite in an explosive atmosphere such as combustible gases or accumulations of dust such as grain, coal, or other combustible materials. Proper dissipation of such potential static electricity discharge must be assured to prevent any such explosion.

Below -40° C (-40° F), polymer housings may break.
Select stainless or steel housings that operate to lower temperatures.

Tensile stresses can be very high in tightly fitted bearing components. Attempting to remove such components by cutting the inner ring may result in a sudden shattering of the component, causing fragments of metal to be forcefully expelled.

Always use properly guarded presses or bearing pullers to remove bearings from shafts, and always use suitable personal protective equipment, including safety glasses.

CAUTION

Failure to observe the following cautions could result in property damage.

The products cataloged are application specific. Any use in applications other than those intended could lead to equipment failure or to reduced equipment life.

Use of improper bearing fits may cause damage to equipment.

Do not use damaged mounted bearings.

Do not use damaged bearings.
The use of a damaged bearing can result in equipment damage.

NOTE

Do not use excessive force when mounting or dismantling the unit.

Follow all tolerance, fit, and torque recommendations.

Always follow the Original Equipment Manufacturer's installation and maintenance guidelines.

Ensure proper alignment.

Never weld mounted bearings.

Do not heat components with an open flame.

Do not operate at bearing temperatures above 121° C (250° F).



ENGINEERING

Timken offers a full range of standard corrosion-resistant Mounted Ball Bearings with stainless steel set screw inserts in both metric and imperial sizes.

The following topics are covered within this section:

Housing Styles	6
End Cover Styles	7
Product Information	8
IP69K	10
QuiKlean	12
Housing Styles	14
Nomenclature	15
Mounted Bearing Installation	16
Installing Units with Covers	17
Lubrication	18
Radial Internal Clearance	19
Speed Ratings	19

HOUSING STYLES

Timken offers corrosion-resistant housings available in cast stainless steel, white polymer (thermoplastic) as well as in hygienic blue polymer (thermoset) and hygienic stainless steel.

**TABLE 1.
HOUSING UNIT MODEL LIST**

Model (Representative Image)	Insert Material	Locking Style	Housing Material (Available in)	Model Code	Shaft Diameter				Dimension Table Page Number	
					Min.	Max.	Min.	Max.		
					in.		mm			
	Ball Bearing Inserts	Stainless Steel (S)	Set Screw (UC)	–	SUC	¾	2.0	20	50	74, 75
	Pillow Block Units (P)	Stainless Steel (S)	Set Screw (UC)	Stainless Steel White Polymer (Thermoplastic)	SUCSP SUCPLP	¾	2.0	20	50	18, 19 32, 33
				Hygienic Stainless Steel Blue Polymer (Thermoset)	SUCAP SUCBP					58, 59 42, 43
	Two-Bolt Flange Units (FL) Y Series Design QuiKlean only (FLY)	Stainless Steel (S)	Set Screw (UC)	Stainless Steel White Polymer (Thermoplastic)	SUCSFL SUCPLFL SUCSFLY SUCPLFLY	¾	2.0	20	50	20, 21 34, 35
				Hygienic Stainless Steel Blue Polymer (Thermoset)	SUCAFL SUCBFL SUCAFLY SUCBFLY					60, 61 44, 45
	Three-Bolt Flange Unit (FB) Y Series Design QuiKlean only (FBY)	Stainless Steel (S)	Set Screw (UC)	Stainless Steel White Polymer (Thermoplastic)	SUCSFB SUCSFBY	¾	1 ⅞	20	40	22, 23
					SUCPLFB SUCPLFBY					¾
				Hygienic Stainless Steel Blue Polymer (Thermoset)	SUCAFB SUCBFB SUCAFBY SUCBFBY	¾	2.0	20	50	46, 47 62, 63
	Four-Bolt Flange Units (F) Y Series Design QuiKlean only (FY)	Stainless Steel (S)	Set Screw (UC)	Stainless Steel White Polymer (Thermoplastic)	SUCSF SUCPLF	¾	2.0	20	50	24, 25 38, 39
				Hygienic Stainless Steel Blue Polymer (Thermoset)	SUCAF SUCBF SUCAFY SUCBFY					64, 65 48, 49
	Take-Up Units (T)	Stainless Steel (S)	Set Screw (UC)	Stainless Steel	SUCST	¾	2.0	20	50	28, 29
				Hygienic Stainless Steel Blue Polymer (Thermoset)	SUCAT SUCBT					70, 71 54, 55
	Tapped Base (TB, TBY, TBYM)	Stainless Steel (S)	Set Screw (UC)	Stainless Steel	SUCSTB	¾	2.0	20	50	26, 27
				Hygienic Stainless Steel Blue Polymer (Thermoset)	SUCATBY SUCBTBY SUCATBYM SUCBTBYM					66, 67, 68, 69 50, 51, 52, 53



END COVER STYLES

Timken offers corrosion-resistant open and closed end covers made of stainless steel or polymer (thermoplastic) that can be used for additional protection.

Covers for Mounted Ball Bearings are available in two different materials (stainless steel and polymer) and two different

configurations (open and closed). The appropriate cover part numbers are shown in the product tables. Stainless steel end covers are intended for stainless steel housings only. Polymer end covers can be installed in either stainless steel or polymer housings.

**TABLE 2.
END COVER MODEL LIST**

Model	End Cover Material	Model Code	Shaft Diameter				Dimension Table Page Number	
			Min.	Max.	Min.	Max.		
			in.		mm			
	End Covers	Stainless Steel (S)	ECS-U, EOS-U	¾	2.0	20	50	78
	End Covers	Polymer (P)	ECP-U, EOP-U	¾	2.0	20	50	79

Timken polymer end covers have drain holes that allow water that enters to cover to drain out.
Note: Hygienic housings do not accept end covers.

PRODUCT INFORMATION

STAINLESS STEEL PRECISION FORMED FLINGER

Provides the first level of protection against contamination.

TIMKEN® IP69K HYGIENIC MOUNTED BALL BEARINGS

Timken Hygienic Bearings rated for IP69K are specifically engineered to perform in Food and Beverage applications where high-pressure washdowns, dust, high humidity and excessive temperature differences exist. To meet the IP69K rating (for water and dust), our bearings did not allow any water or dust past the seal during the aggressive tests. Optically detectable blue FDA/EC IP69K seals comply with FDA guidelines for indirect food additives under 21 CFR 177.2600 'Rubber articles intended for repeated use', and meets the requirements of EC 1935/2004 'materials and articles intended to come into contact with food'.

HIGH-PERFORMANCE THREE ELEMENT SEAL

Offers additional levels of protection with a bonded nitrile rubber seal engineered interfaces contacting the flinger and inner ring, and an inward facing lip allows grease to move toward the balls and raceways. The three element sealing system is designed to protect during washdown, keeping contaminants out and grease in.

HARDENED AND GROUND SEAL LAND

Helps protect against abrasive wear, extending seal life.

STAINLESS STEEL OUTER RING WITH SPHERICAL OUTSIDE DIAMETER

Engineered fit between bearing and housing to improve bearing life.

LUBRICATION DELIVERY SYSTEM

Precision-machined lubrication groove and holes in the outer ring of the bearing. Standard bearings are pre-lubricated with food grade grease with Solid Lube options also available.

STAINLESS STEEL BALLS AND STAINLESS STEEL CAGE

Stainless steel cage provides effective ball guidance and high-temperature service capability. Metal detection is possible since the entire bearing is made of metal.

STAINLESS STEEL WIDE INNER RING BALL BEARING INSERT

Improved shaft support over narrow rings, improving bearing life and reducing misalignment.

STAINLESS STEEL AND POLYMER HOUSING OPTIONS

Hygienic construction with laser marking, solid base and smooth surface for maximum cleanability.

WHAT IS HYGIENIC DESIGN?

Hygienic design is the practice of engineering and designing machines with safer food production in mind. Built to address common food safety hazards, hygienic design products resist:

- Chemical contamination related to lubricant leakage, oxide particles or polymer contact.
- Physical contamination, including foreign particles from loose or broken parts.
- Microbiological contamination from bacteria or fungi that develop in dead volumes.

Our hygienic design products have been designed according to NSF/ANSI/3-A SSI 14159-1 – 2014 requirements. These globally recognized standards help improve food safety by:

- Mandating the use of corrosion- and washdown-resistant materials.
- Requiring construction that facilitates cleaning and inspection.
- Preventing the retention of moisture and contaminants.

Timken hygienic housings meet the highest standards in food safety. They feature:

- Highly corrosion-resistant stainless steels and chemically resistant engineered polymers.
- Hygienic construction due to its solid base with no dead spaces that cannot be accessed for cleaning, smooth surface, sleek and rounded shape, laser marking.

As a result, Timken Hygienic housings are certified as Accepted Equipment by the USDA under the Meat and Poultry Equipment Review Program.



Take food safety to the next level with:

- Greaseless ball bearings with NSF H1-registered solid lube.
- Metal cage ball bearings for enhanced detectability.
- Optically detectable blue polymer housings.
- Optional QuiKlean® stand-off for maximum cleanability and limited contact area.
- Optically detectable Blue FDA/EC compliant seals.
- IP69K rated to resist wash down ingress.

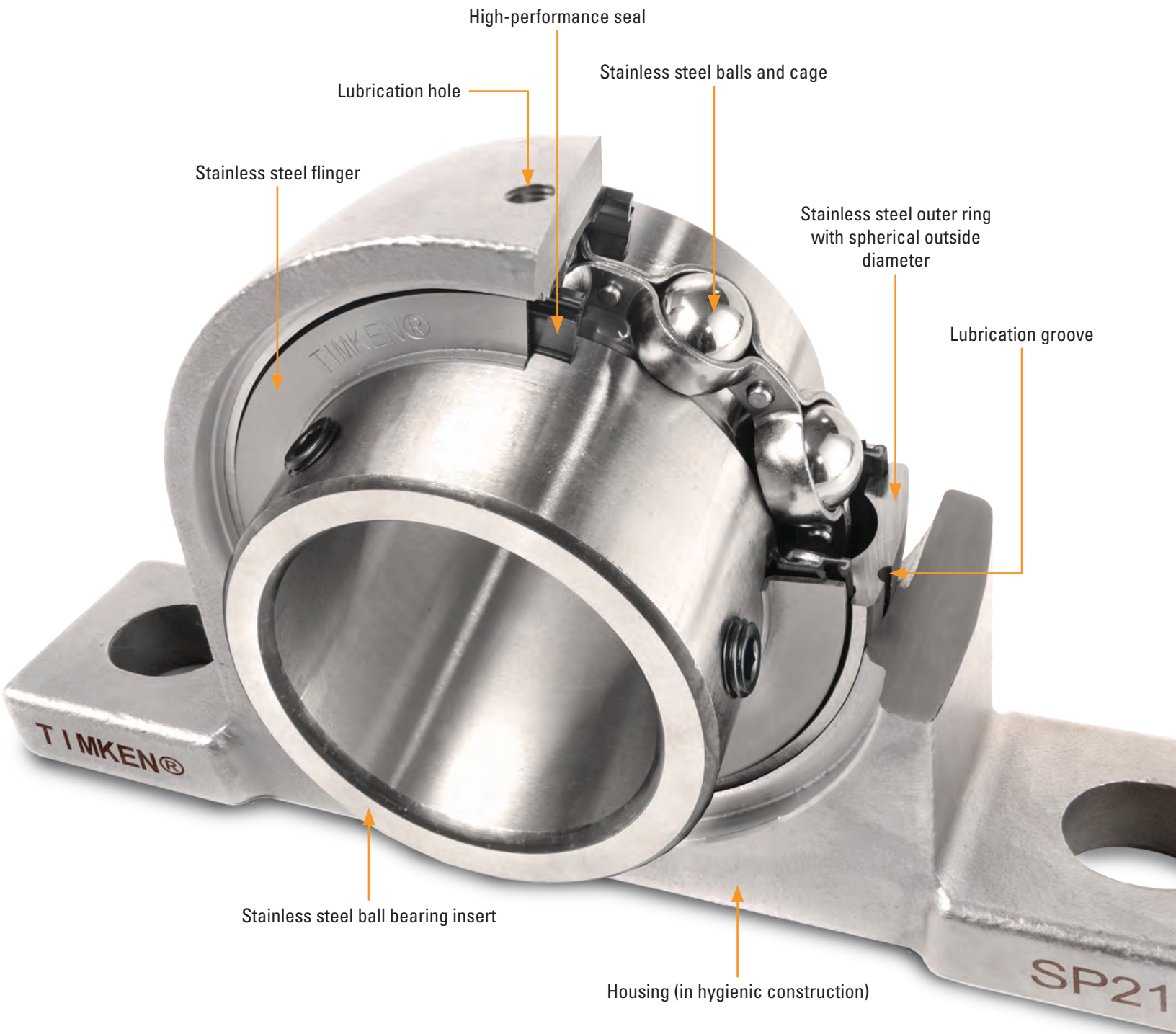


Fig. 1. Diagram of a corrosion-resistant pillow block mounted bearing.

IP69K HYGIENIC MOUNTED BALL BEARINGS

FULLY STAINLESS BEARINGS WITH IP69K WATER AND DUST PROTECTION RATING WITHOUT THE USE OF AN END COVER FOR FOOD AND BEVERAGE APPLICATIONS.

Heavy washdowns with harsh cleaning chemicals are critical to achieve food safety in food and beverage processing and packaging equipment. Pair that with an abundance of moisture and you risk corrosion to equipment components if they are not properly engineered for this environment.

Timken Hygienic Bearings rated for IP69K are specifically engineered to perform in Food and Beverage applications where high-pressure washdowns, high humidity and excessive temperature differences exist. To meet the IP69K rating, our bearings did not allow any water or dust past the seal during the aggressive tests.

Timken IP69K Hygienic Mounted Ball Bearings can meet safety requirements of challenging food processing applications.

KEY EQUIPMENT TYPES

- Conveyors
- Slicers
- Beverage Machinery
- Food Processing Machinery



MAINTENANCE FREE

With Timken, our solutions are lubed for life, containing food grade grease or solid lube options. With these solutions, there's no need to re-grease, resulting in minimal maintenance to the bearing.

IMPROVED FOOD SAFETY

By eliminating water ingress, corrosion and rust on the bearing is also eliminated. This not only extends the life of the bearing, but also reduces the risk of contamination to food during processing and production. Optically detectable blue FDA/EC IP69K seals comply with FDA guidelines for indirect food additives under 21 CFR 177.2600 'Rubber articles intended for repeated use', and meets the requirements of EC 1935/2004 'materials and articles intended to come into contact with food'.

MAXIMIZED PRODUCTIVITY

Our products are designed for efficiency. You can maintain optimum operating efficiency despite chemical washdowns and wet environments.

PRODUCT ADVANTAGES

Superior Protection

Timken achieves IP69K rating without a sealed end-cover.

Fully Stainless

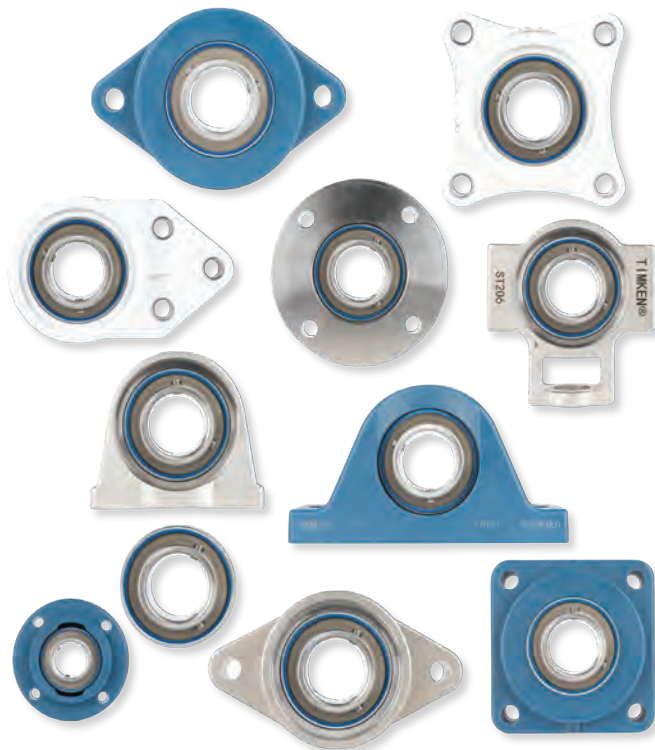
Our ball inserts (rings, balls, cage) are fully stainless making them fully metal detectable and corrosion resistant.

Housing Variety

Our IP69K insert is available in combination with four different housing materials including standard cast stainless, white thermoplastic, hygienic stainless and hygienic blue thermoset housing material.

Numerous Housing Types

Our IP69K ball bearing insert is available in thousands of housing combinations including custom options designed to fit any food and beverage application need.



IP69K ASSEMBLY

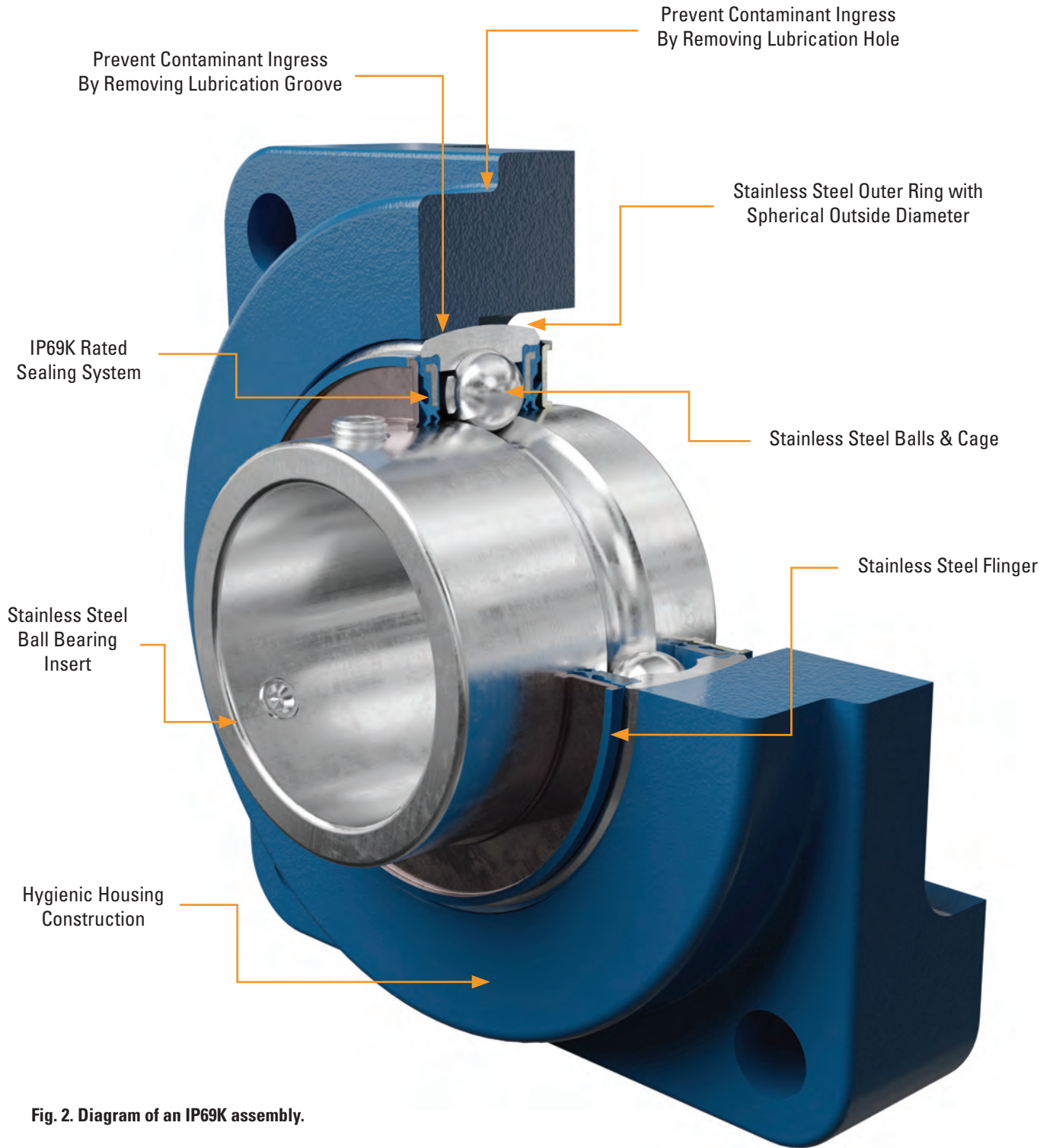
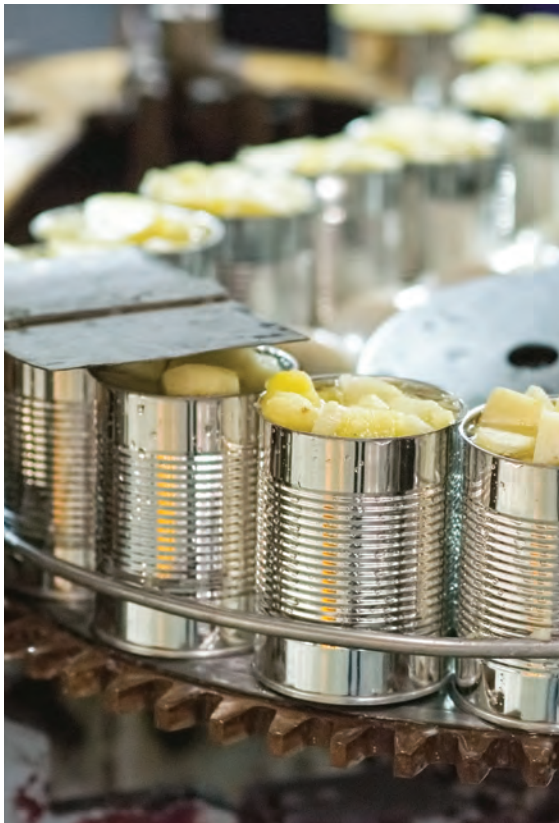


Fig. 2. Diagram of an IP69K assembly.



IMPROVE FOOD SAFETY ON THE PROCESS FLOOR

TIMKEN® QUIKLEAN® HOUSING AVAILABLE IN CAST STAINLESS OR POLYMER FOR A CLEANER ALTERNATIVE TO STANDARD HOUSINGS

Timken® QuiKlean® Mounted Bearings are now available in both stainless and polymer for more production options. Designed to replace standard Two-Bolt, Three-Bolt and Four-Bolt flange housings, with an integrated stand-off base that simplifies the cleaning process, improves sanitation and limits contact area where bacteria can hide. Accepts open or closed caps.

Timken QuiKlean housings' 12.7 mm (½ in.) stand-off base for cast stainless and blue optically detectable thermoset allows for wash-down on all sides-ideal for food processing environments where cleanliness is paramount.



TIMKEN® QUIKLEAN® HOUSINGS

- 1-piece, cast stainless or polymer construction
- Eliminates the need for spacers
- Smoother surfaces, fewer crevices, easy to clean
- Integrated stand-off allows access for cleaning on all sides
- Reduces downtime from sanitary violations
- No small components to handle or misplace

QUIKLEAN

TIMKEN® QUIKLEAN HOUSINGS TO SIMPLIFY THE CLEANING PROCESS

With an integrated stand-off base that simplifies the cleaning process, Timken QuiKlean Housings are designed to improve sanitation and limit contact areas where bacteria can hide. They're available in both stainless and polymer for more production options, and accepts open or closed caps.

Timken QuiKlean housings' 12.7 mm (1/2 in.) stand-off base for cast stainless and blue optically detectable thermoset allows for wash-down on all sides-ideal for food processing environments where cleanliness

Housings available in:

- Cast stainless steel
- Blue thermoset

Available in shaft sizes from 20 mm - 50 mm (3/4 in. - 2 in.) (204-210 ring)

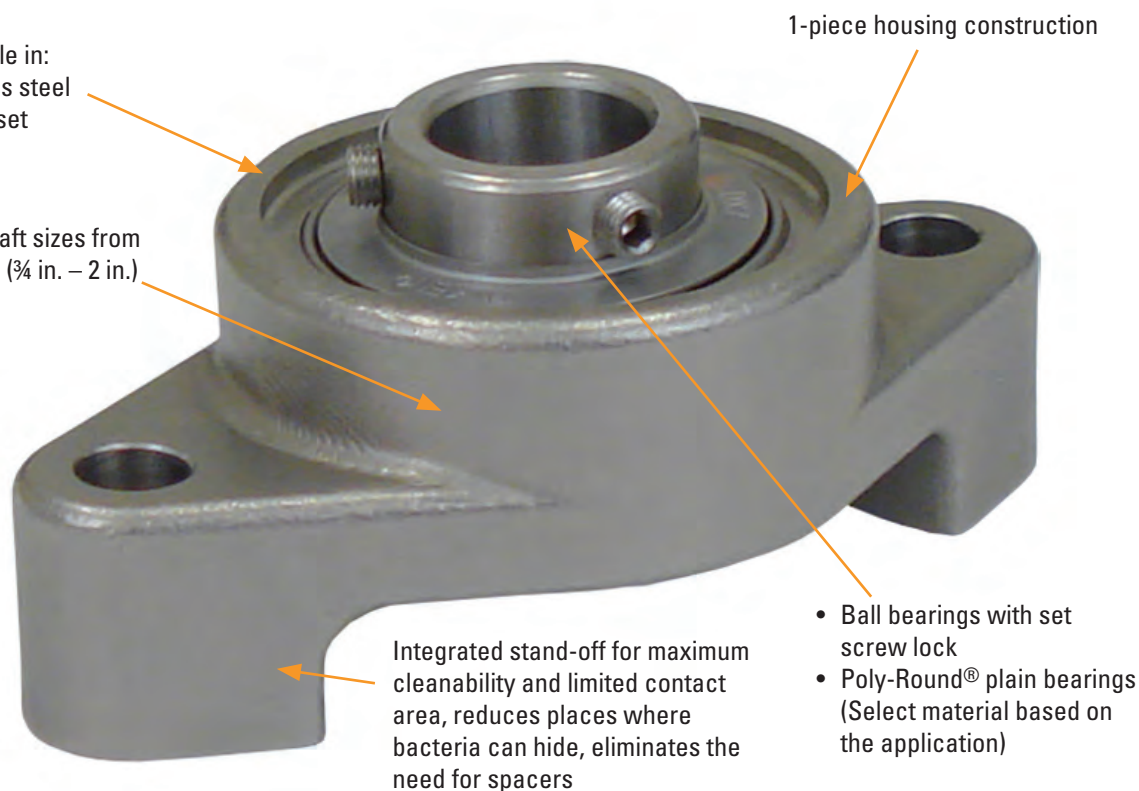


Fig. 3. Diagram of QuiKlean Mounted Unit.

TIMKEN QUIKLEAN® MOUNTED BEARING EXAMPLE PART NUMBER

SUCSFLQK205-16/F

HOUSING



Fig. 5. S - stainless steel.

- Stainless steel solid body housing
- Smooth surface
- Laser marking
- Lubrication hole plugged for Solid Lube insert



Fig. 6. A - hygienic stainless steel.

- Hygienic machined stainless steel housing
- Ultra smooth surface
- USDA acceptance for housings
- Laser marking
- No lubrication hole for Solid Lube insert



Fig. 7. PL - white polymer (thermoplastic).

- White polymer (thermoplastic) solid body housing
- Smooth surface
- Laser marking
- Lubrication hole plugged for Solid Lube insert



Fig. 8. B - hygienic blue (thermoset).

- Hygienic blue polymer (thermoset) solid body housing
- Ultra smooth surface
- USDA acceptance for housings
- Laser marking
- No lubrication hole for Solid Lube insert

NOMENCLATURE

CORROSION-RESISTANT MOUNTED BALL BEARING

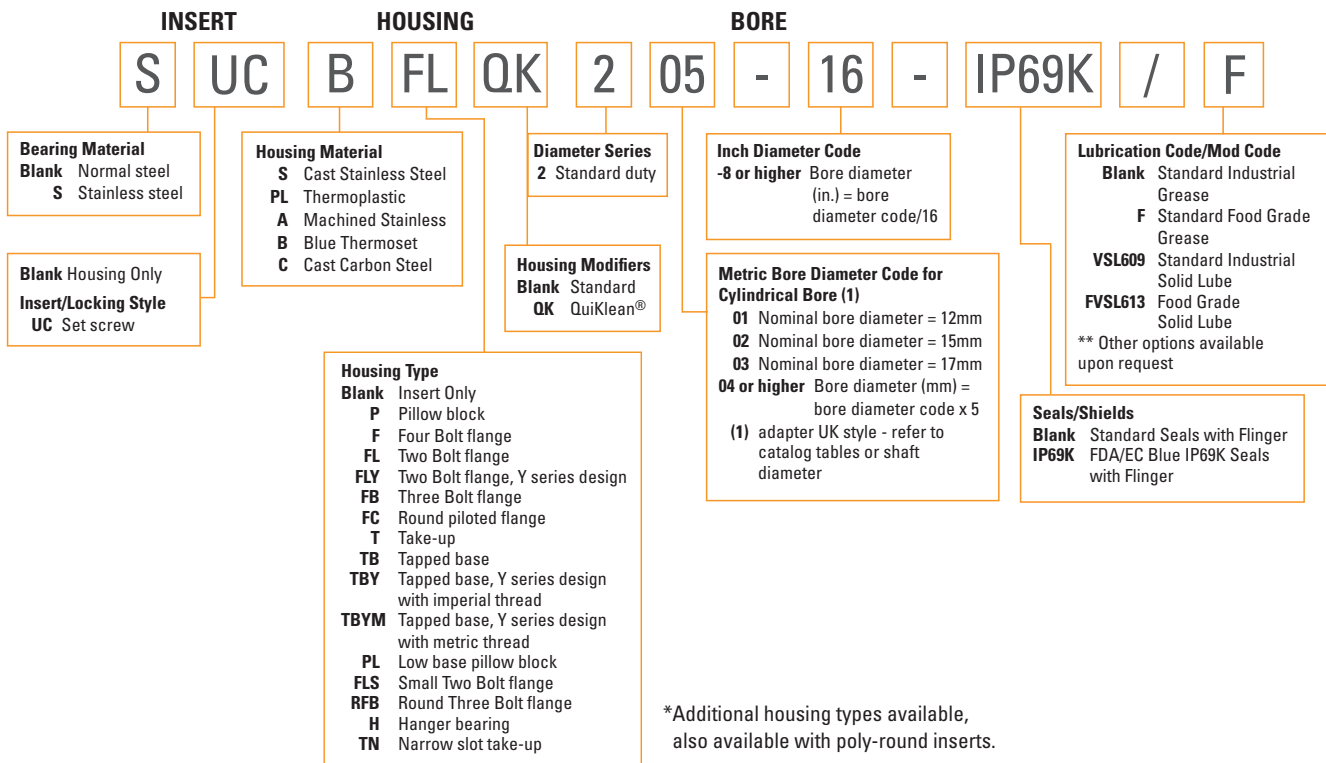


Fig. 9. Corrosion-resistant mounted ball bearing nomenclature.

CORROSION-RESISTANT MOUNTED BALL BEARING END COVER

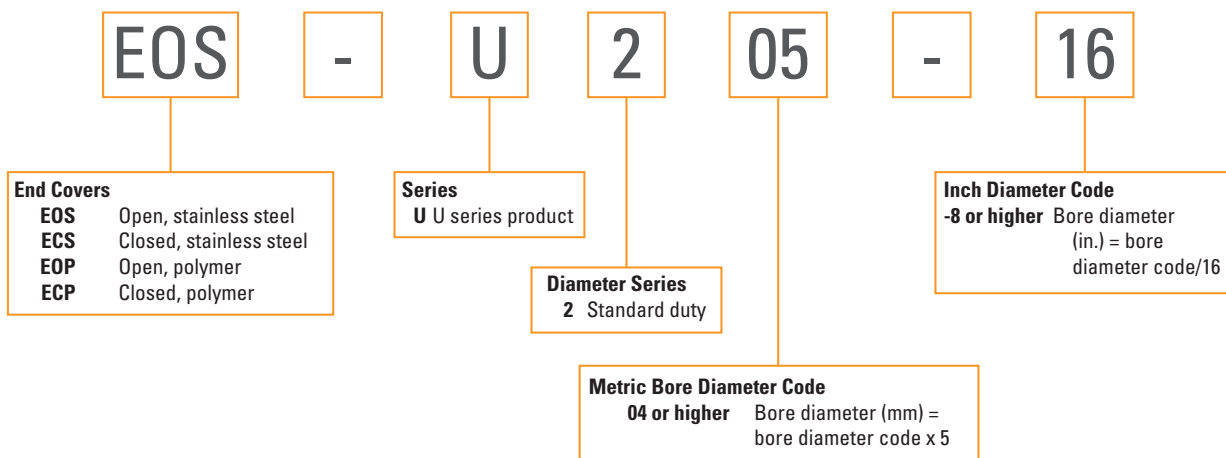


Fig. 10. Corrosion-resistant mounted ball bearing end cover nomenclature.

MOUNTED BALL BEARING INSTALLATION

SET SCREW STYLE UNITS

Set screw style units are mounted on the shaft with the help of two set screws in the inner ring located at 120 degrees to each other. The set screw locking mechanism provides ease in mounting and is suitable for applications where the shaft rotation is bidirectional.

Installation procedures for set screw style units are shown below.

1. Ensure that the shaft is clean, free from burrs, straight and of proper diameter. The bearing should not be mounted on a worn section of the shaft. Using shafts with hardness greater than HRC 45 will reduce effectiveness of locking devices. See table 3 for suggested shaft tolerances.
2. Install the supplied grease fitting into the threaded lubrication hole on the housing. Align the bearing in its housing and slide the unit into position on the shaft.

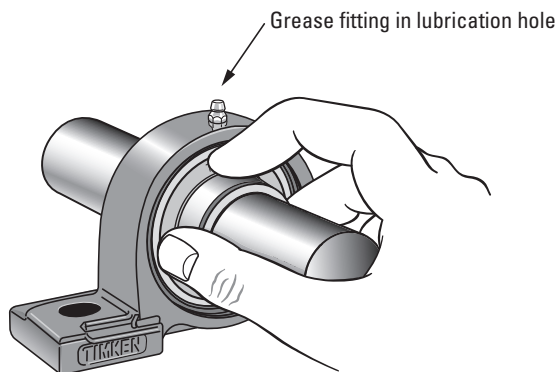


Fig. 9. Installing grease fitting into threaded lubrication hole.

3. Bolt the housing tightly to its mounting supports using an appropriately sized fastener and suggested bolt torque (table 4). Flat washers should be used when installing any kind of mounted bearing. Washers should be properly sized to bolt diameter.

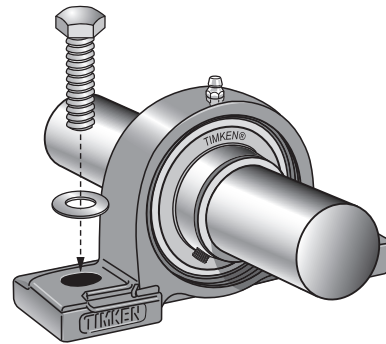


Fig. 10. Bolting the housing.

4. Lock the bearing to the shaft by tightening each inner ring set screw incrementally to suggested torque levels (table 5).

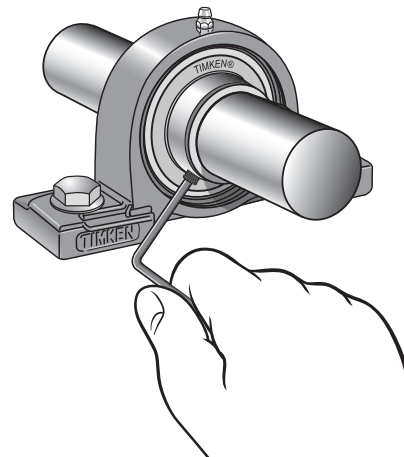


Fig. 11. Locking the bearing.

TECHNICAL DATA

The following tables provide important installation details related to shaft tolerance, recommended torque for set screws and mounting bolts.

TABLE 3.
SUGGESTED SHAFT TOLERANCE (1)

Shaft Size		Shaft Tolerance	
Over	Incl.	Min.	Max.
mm in.	mm in.	mm in.	mm in.
20 0.750	30 1.000	0 0.000	-0.013 -0.0005
30 1.125	50 1.938	0 0.000	-0.016 -0.0006

(1) These are for normal service; for heavy loads, high speeds or vertical shaft applications, consult your equipment manufacturer or your local Timken representative.

TABLE 4.
SUGGESTED MOUNTING BOLT TORQUE

Bolt Size	Tightening Torque	Bolt Size	Tightening Torque
mm	N-m	in.	ft.-lbs.
M8	6 – 10	5/16	4 – 7
M10	12 – 21	3/8	9 – 16
M12	21 – 37	7/16	16 – 27
M14	34 – 60	1/2	26 – 44
M16	53 – 93	5/8	39 - 69

TABLE 5.
SUGGESTED SET SCREW TIGHTENING TORQUE

Set Screw Size	Tightening Torque	Applicable Bore Ranges
mm	N-m	
M6 x 0.75	4	204 - 206
M8 x 1	8	207 - 210

INSTALLING UNITS WITH COVERS

The installation procedures for mounted bearings with covers are below:

1. Install covers after installing the mounted bearing.
2. Make sure the groove for the cover in the housing is clean and free of contamination.
3. Some application conditions may warrant filling the end covers with grease prior to installation.
4. When using an open cover, apply grease all around the seal lip and slide it onto the shaft.
5. Press the cover into the groove.
 - a. When using a polymer cover, press it into the groove until it is fully seated. Ensure that the drain hole is positioned directly downward.
 - b. When using a stainless steel cover, tap all around the cover with a plastic mallet until it is fully seated.



Fig. 12. End covers.

LUBRICATION GREASE

Ball bearings must be lubricated to minimize friction between balls and raceways as well as between balls and cages. Lubricants can also help protect the bearings from corrosion and ingress of contaminants.

Timken Corrosion-Resistant U Series Bearings are factory pre-lubricated. They feature food-grade grease chosen for rust, corrosion and washdown resistance. The standard grease supplied by Timken is Mobil SHC™ Polyrex 462. This synthetic-oil based, advanced polyurea-thickened grease is registered under the NSF H1 category. It complies with the Food and Drug Administration’s (FDA) guidelines for lubricants with incidental food contacts under 21.CFR 178.3570. The grease is also Kosher certified. Mobil SHC Polyrex 462 maintains proper lubrication for a wide range of operating temperatures from -20° C to 170° C (-4° F to 338° F).

Timken Corrosion-Resistant U Series Ball Bearings are pre-lubricated. However, it is advised to re-lubricate periodically in some applications for which these units are designed. Consult your equipment manufacturer’s operating manual for the specific relubrication cycle. General guidelines are found in table 6 below.

**TABLE 6.
GENERAL RELUBRICATION SUGGESTIONS
FOR GREASED BEARINGS (1)**

Condition	Relubrication Interval
Indoor service, no washdown	Not required
Outdoor service	Two or three times per year
Severe outdoor exposure and washdown	Once a month
High contamination and severe washdown	Once a week

(1) As a guideline, relubricate until the first indication of grease is observed purging from the bearing.

SOLID LUBE

Timken® Solid Lube provides a lubricating alternative to grease in harsh environments.

Solid Lube is a micro-porous polymer structure combined with high-performance oils and additives. It completely fills the free volume in the bearing between the races, rolling elements and the cage. Thanks to its micro-porous structure, the solid lubricant can contain up to three times as much oil as a similar volume of grease.

During bearing rotation, the solid lubricant polymer releases the appropriate amount of oil to lubricate the rolling elements and raceways.

Timken Solid Lube is:

- **Hygienic.** Its unique makeup helps prevent lube from contaminating food products. Some Solid Lube grades have NSF H1 registration.
- **Protective.** Its full-fill and large-oil reservoir helps guard against washdown and ingress of contaminants for safe and reliable operation.
- **Cost-effective.** Timken Solid Lube helps reduce your operating costs and increase operational productivity.
- **Versatile.** With a wide range of Solid Lube solutions, we can match application requirements, including extreme temperatures or washdown environments.

Timken/FVSL613 Solid Lube option contains an NSF H1-registered synthetic oil that complies with FDA guidelines for lubricants with incidental food contacts under 21.CFR 178.3570. It maintains proper lubrication for a wide range of operating temperatures from -45° C to 93° C (-49° F to 200° F) and provides protection against corrosion.

Other Solid Lube options are available for applications with higher temperatures, extreme chemical harshness or for industrial applications. For further information, please contact your Timken engineer.

RADIAL INTERNAL CLEARANCE

During ball bearing manufacturing, it's standard practice to assemble rings and rolling elements with a specified internal clearance. This characteristic is necessary to absorb the loss of clearance due to thermal gradient within the bearing. Internal clearance in an application is an important factor that has a significant influence on bearing performance, as well as characteristics of heat, noise and vibration.

TABLE 7.
INTERNAL CLEARANCE

Nominal Bearing Bore Dia. d		Radial Internal Clearance	
Over	Incl.	Min.	Max.
mm		µm	
20	24	13	28
24	30	13	28
30	40	15	33
40	50	18	36

SPEED RATINGS

Many factors influence the maximum speed at which a mounted ball bearing can operate. These include the bearing design, seal design, lubricant selection and variable environmental conditions.

Maximum operating speeds are defined to maintain reasonable operating temperatures within the bearing. Going above these speed suggestions could result in high temperatures, less than desirable bearing performance, and/or degraded sealing performance. Proper maintenance is key when operation is at or near these published maximum speeds. Maximum allowable operating speeds may need to be adjusted for extreme environmental conditions like extreme temperatures.

Table 8 shows the standard allowable rotating speeds for Timken stainless steel ball bearings. These speeds apply for both grease lubricated bearings and bearings with Timken Solid Lube.

TABLE 8.
ALLOWABLE ROTATING SPEED FOR MOUNTED BEARINGS

Bore Dia. Code	Speed
	RPM
04	5800
05	5100
06	4300
07	3700
08	3300
09	3100
10	2800

- Allowable rotating speed of bearing units with covers is 80 percent of the value shown in the table 8.
- When a bearing unit is used with an excessively loose fit, the allowable rotating speed must be calculated by multiplying it by the fitting factor f_c shown in the below table 9.
- Timken IP69K Hygienic Mounted Ball Bearings approved at 3500 RPM.

TABLE 9.
FITTING FACTOR f_c FOR MOUNTED BEARINGS

Type of Ball Bearing Units	Fitting Factor f_c Shaft Tolerance Range Class				
	j6	h6	h7	h8	h9
UC set screw locking	1	1	0.8	0.5	0.2

- The allowable rotating speed of a bearing unit filled with Solid Lube may be effected by the temperature of the application environment. Speed ratings for Solid Lube are based on a typical room temperature environment (~20° C). Speed ratings are reduced when environmental temperatures are higher than typical room temperature. For further information, please contact your Timken engineer

LIMITING SPEED

For certain ball bearing types and sizes, cage behavior becomes the limiting factor to bearing operating speed. For such bearings, the thermal speed rating per ISO 15312:2003 is not shown. Instead, Timken publishes limiting speeds for those bearings, as is the case for thin-section and extra-small deep groove ball bearings. For bearings with contact seals, the speed rating also is impacted by the speed of the seal. In general, bearings with contact seals have speed ratings that are 50 percent to 60 percent of the published speed rating of the equivalent open bearing.



***STAINLESS STEEL HOUSING
WITH STAINLESS STEEL BALL
BEARING INSERTS***

The following topics are covered within this section:

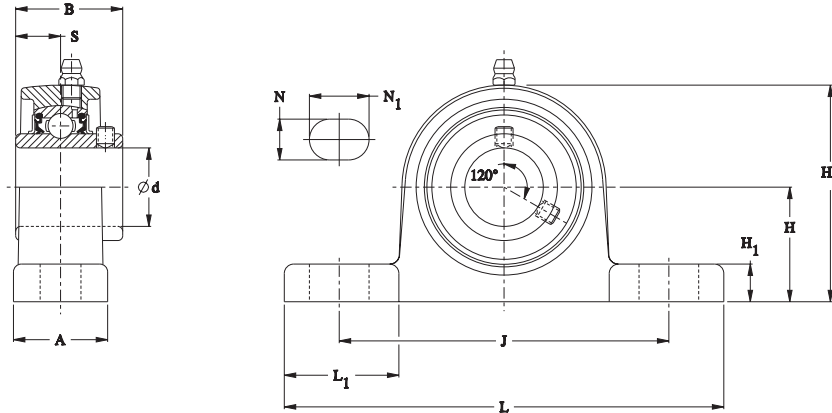
Stainless Steel Two-Bolt Pillow Block Mounted Bearings	22
Stainless Steel Two-Bolt Flanged Mounted Bearings	24
Stainless Steel Three-Bolt Flanged Mounted Bearings	26
Stainless Steel Four-Bolt Flanged Mounted Bearings	28
Stainless Steel Tapped-Base Mounted Bearings	30
Stainless Steel Take-Up Mounted Bearings	32

STAINLESS STEEL TWO-BOLT PILLOW BLOCK MOUNTED BEARINGS



These units can be ordered with IP69K rated seal and/or QuiKlean housing type. No lubrication hole and no grease fitting with IP69K.

IP69K rated seal part number for Stainless Steel Two-Bolt Pillow Block Mounted Bearings: SUCSP205-16-IP69K/F



Shaft Dia. d		Pillow Block Designation	Bearing Designation	Basic Load Ratings		Dimensions										Bolt Size	Wt.																
				Dynamic C _r	Static C _{0r}	H	L	L ₁	A	H ₁	J	H ₂	S	B	N			N ₁															
mm	in.				mm in.	mm in.	mm in.	mm in.	mm in.	mm in.	mm in.	mm in.	mm in.	mm in.	mm in.	mm in.	mm in.	mm in.	mm in.	kg lbs.													
20	3/4	SUCSP204-12/F	SUC204-12/F	10.9	5.35	33.3	127	33.0	30	11	95	63	12.7	31.0	13	18	M10	0.6															
		SUCSP204/F	SUC204/F	2450	1203	1 3/16	5	1 19/64	1 3/16	7/16	3 3/4	2 15/32	0.500	1.220	1/2	23/32	3/8	1.3															
25	7/8	SUCSP205-14/F	SUC205-14/F	11.9	6.30	36.5	140	36.5	30	12	105	69	14.3	34.1	13	19	M10	0.7															
	1 5/16	SUCSP205-15/F	SUC205-15/F																														
		SUCSP205/F	SUC205/F																2675	1416	1 7/16	5 1/2	1 7/16	1 3/16	1 9/32	4 1/8	2 23/32	0.563	1.343	1/2	3/4	3/8	1.5
30	1	SUCSP205-16/F	SUC205-16/F	16.5	9.05	42.9	165	43.5	36	13	121	81	15.9	38.1	17	21	M14	1.1															
	1 1/8	SUCSP206-18/F	SUC206-18/F																														
	1 3/16	SUCSP206-19/F	SUC206-19/F																3709	2035	1 11/16	6 1/2	1 23/32	1 13/32	1/2	4 3/4	3 3/16	0.626	1.500	23/32	13/16	1/2	2.4
	1 1/4	SUCSP206-20/F	SUC206-20/F																														
35	1 1/4	SUCSP207-20/F	SUC207-20/F	21.8	12.30	47.6	167	39.0	38	14	127	91	17.5	42.9	17	21	M14	1.4															
	1 5/16	SUCSP207-21/F	SUC207-21/F																														
	1 3/8	SUCSP207-22/F	SUC207-22/F																4901	2765	1 7/8	6 9/16	1 17/32	1 1/2	9/16	5	3 19/32	0.689	1.689	23/32	13/16	1/2	3.1
		SUCSP207/F	SUC207/F																														
	1 7/16	SUCSP207-23/F	SUC207-23/F																														

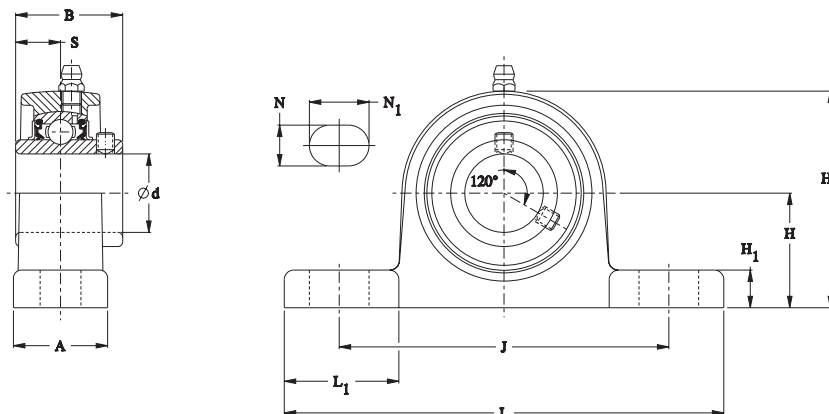
STAINLESS STEEL HOUSING WITH STAINLESS STEEL BALL BEARING INSERTS

STAINLESS STEEL TWO-BOLT PILLOW BLOCK MOUNTED BEARINGS



These units can be ordered with IP69K rated seal. No lubrication hole and no grease fitting with IP69K.

IP69K rated seal part number for Stainless Steel Two-Bolt Pillow Block Mounted Bearings: SUCSP205-16-IP69K/F



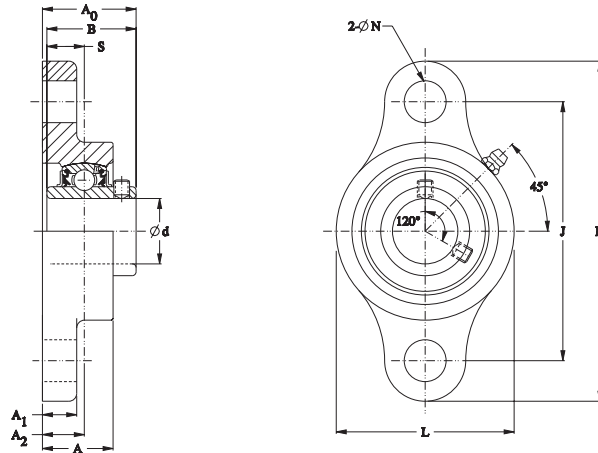
Shaft Dia. d		Pillow Block Designation	Bearing Designation	Basic Load Ratings		Dimensions											Bolt Size	Wt.	
				Dynamic C_r	Static C_{0r}	H	L	L_1	A	H_1	J	H_2	S	B	N	N_1			
mm	in.			kN lbs.	kN lbs.	mm in.	mm in.	mm in.	mm in.	mm in.	mm in.	mm in.	mm in.	mm in.	mm in.	mm in.	mm in.	mm in.	kg lbs.
40	1 ½	SUCSP208-24/F	SUC208-24/F	24.8 5575	14.3 3215	49.2 1 15/16	184 7 ¼	43.0 1 13/16	40 1 5/8	14 9/16	137 5 13/32	97 3 13/16	19.0 0.748	49.2 1.937	17 2 1/2	21 1 3/8	M14 ½	1.7 3.7	
	1 5/8	SUCSP208-25/F	SUC208-25/F																
		SUCSP208/F	SUC208/F																
45	1 5/8	SUCSP209-26/F	SUC209-26/F	27.8 6250	16.2 3642	54.0 2 1/8	190 7 13/32	44.0 1 47/64	40 1 5/8	15 1 9/32	146 5 3/4	104 4 1/2	19.0 0.748	49.2 1.937	17 2 1/2	21 1 3/8	M14 ½	2.0 4.4	
	1 11/16	SUCSP209-27/F	SUC209-27/F																
	1 3/4	SUCSP209-28/F	SUC209-28/F																
		SUCSP209/F	SUC209/F																
50	1 7/8	SUCSP210-30/F	SUC210-30/F	29.8 6699	18.6 4181	57.2 2 ¼	206 8 1/8	48.0 1 7/8	45 1 25/32	16 5/8	159 6 1/4	111 4 3/8	19.0 0.748	51.6 2.031	20 2 5/8	22 7/8	M16 ¾	2.5 5.5	
	1 15/16	SUCSP210-31/F	SUC210-31/F																
		SUCSP210/F	SUC210/F																
	2	SUCSP210-32/F	SUC210-32/F																

STAINLESS STEEL TWO-BOLT FLANGED MOUNTED BEARINGS



These units can be ordered with IP69K rated seal and/or QuiKlean housing type. No lubrication hole and no grease fitting with IP69K.

IP69K rated seal part number for Stainless Steel Two-Bolt Flanged Mounted Bearings: SUCSFL205-16-IP69K/F



Shaft Dia. d		Two-Bolt Flange Designation	Bearing Designation	Basic Load Ratings		Dimensions										Bolt Size	Wt.														
				Dynamic C _r	Static C _{0r}	H	J	A ₁	A	A ₀	L	A ₂	S	B	N																
mm	in.			kN lbs.	kN lbs.	mm in.	mm in.	mm in.	mm in.	mm in.	mm in.	mm in.	mm in.	mm in.	mm in.	mm in.	kg lbs.														
20	3/4	SUCSFL204-12/F	SUC204-12/F	10.9	5.35	113	90	10	26.0	33.3	60	15	12.7	31.0	12	M10	0.5														
		SUCSFL204/F	SUC204/F	2450	1203	4 7/16	3 35/64	13/32	1 1/2	1 1/16	2 3/8	19/32	0.500	1.220	15/32	3/8	1.1														
25	7/8	SUCSFL205-14/F	SUC205-14/F	11.9	6.30	130	99	10	27.5	35.8	68	16	14.3	34.1	16	M14	0.6														
	15/16	SUCSFL205-15/F	SUC205-15/F															2675	1416	5 1/8	3 57/64	13/32	1 3/32	1 13/32	2 11/16	5/8	0.563	1.343	5/8	1/2	1.3
		SUCSFL205/F	SUC205/F																												
30	1	SUCSFL205-16/F	SUC205-16/F	16.5	9.05	148	117	10	31.0	40.2	80	18	15.9	38.1	16	M14	0.9														
	1 1/8	SUCSFL206-18/F	SUC206-18/F															3709	2035	5 13/16	4 19/32	13/32	1 7/32	1 19/32	3 3/32	45/64	0.626	1.500	5/8	1/2	2.0
	1 3/8	SUCSFL206-19/F	SUC206-19/F																												
	1 1/4	SUCSFL206-20/F	SUC206-20/F																												
35	1 1/4	SUCSFL207-20/F	SUC207-20/F	21.8	12.30	161	130	11	34.0	44.4	85	19	17.5	42.9	16	M14	1.1														
	1 5/8	SUCSFL207-21/F	SUC207-21/F															4901	2765	6 11/32	5 1/8	7/16	1 11/32	1 3/4	3 11/32	3/4	0.689	1.689	5/8	1/2	2.4
	1 3/8	SUCSFL207-22/F	SUC207-22/F																												
		SUCSFL207/F	SUC207/F																												
	1 7/8	SUCSFL207-23/F	SUC207-23/F																												

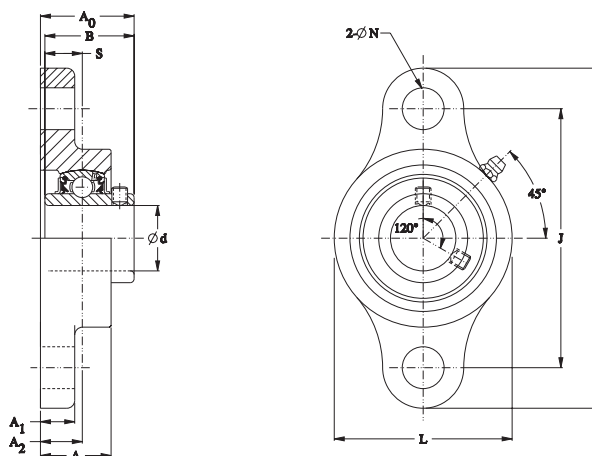
STAINLESS STEEL HOUSING WITH STAINLESS STEEL BALL BEARING INSERTS

STAINLESS STEEL TWO-BOLT FLANGED MOUNTED BEARINGS



These units can be ordered with IP69K rated seal. No lubrication hole and no grease fitting with IP69K.

IP69K rated seal part number for Stainless Steel Two-Bolt Flanged Mounted Bearings: SUCSFL205-16-IP69K/F



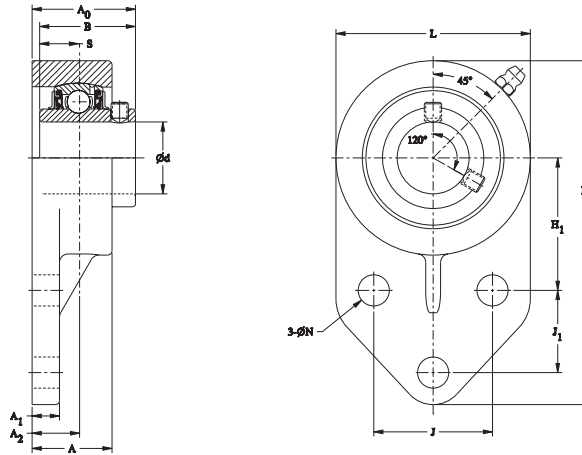
Shaft Dia. d		Two-Bolt Flange Designation	Bearing Designation	Basic Load Ratings		Dimensions										Bolt Size	Wt.
				Dynamic C _r	Static C _{0r}	H	J	A ₁	A	A ₀	L	A ₂	S	B	N		
mm	in.			kN lbs.	kN lbs.	mm in.	mm in.	mm in.	mm in.	mm in.	mm in.	mm in.	mm in.	mm in.	mm in.	mm in.	mm in.
40	1 ½	SUCSFL208-24/F	SUC208-24/F	24.8 5575	14.30 3215	175 6 7/8	144 5 43/64	12 1 5/32	36.0 1 13/32	51.2 2 1/32	94 3 11/16	21 5/8	19.0 0.748	49.2 1.937	16 5/8	M14 1/2	1.4 3.1
	1 5/8	SUCSFL208-25/F	SUC208-25/F														
		SUCSFL208/F	SUC208/F														
45	1 5/8	SUCSFL209-26/F	SUC209-26/F	27.8 6250	16.20 3642	188 7 13/32	148 5 53/64	13 1/2	38.0 1 1/2	52.2 2 1/16	100 3 15/16	22 5/8	19.0 0.748	49.2 1.937	19 3/4	M16 5/8	1.6 3.5
	1 11/16	SUCSFL209-27/F	SUC209-27/F														
	1 3/4	SUCSFL209-28/F	SUC209-28/F														
		SUCSFL209/F	SUC209/F														
50	1 7/8	SUCSFL210-30/F	SUC210-30/F	29.8 6699	18.60 4181	197 7 3/4	157 6 3/16	13 1/2	40.0 1 1/16	54.6 2 1/32	106 4 3/16	22 5/8	19.0 0.748	51.6 2.031	19 3/4	M16 5/8	1.9 4.2
	1 15/16	SUCSFL210-31/F	SUC210-31/F														
	2	SUCSFL210-32/F	SUC210-32/F														

STAINLESS STEEL THREE-BOLT FLANGED MOUNTED BEARINGS



These units can be ordered with IP69K rated seal and/or QuiKlean housing type. No lubrication hole and no grease fitting with IP69K.

IP69K rated seal part number for Stainless Steel Three-Bolt Flanged Mounted Bearings: SUCSFB205-16-IP69K/F



Shaft Dia. d		Three-Bolt Flange Designation	Bearing Designation	Basic Load Ratings		Dimensions												Bolt Size	Wt.			
				Dynamic C _r	Static C _{0r}	H	H ₁	J ₁	J	L	A ₁	A ₂	A	A ₀	B	S	N					
mm	in.				mm	mm	mm	mm	mm	mm	mm	mm	mm	mm	mm	mm	mm	mm	mm	mm	kg	lbs.
20	¾	SUCSFB204-12/F	SUC204-12/F	10.9	5.4	106.9	42.9	22.2	38.1	61.5	8.0	15.1	24.1	33.4	31	12.7	10.3	M10	0.7			
		SUCSFB204/F	SUC204/F	2450	1203	4.210	1.688	0.875	1.500	2.420	0.313	0.594	0.950	1.314	1.220	0.500	0.406	⅜	1.5			
25	7/8	SUCSFB205-14/F	SUC205-14/F	11.9	6.30	119.6	46.1	28.6	41.3	67.6	9.5	16.1	24.6	35.9	34.1	14.3	10.3	M10	0.9			
		SUCSFB205-15/F	SUC205-15/F																	2675	1416	4.710
30	1	SUCSFB205-16/F	SUC205-16/F	16.5	9.05	136.7	52.3	31.8	47.6	79.4	9.5	16.7	27.1	38.9	38.1	15.9	10.3	M10	1.2			
		SUCSFB206-18/F	SUC206-18/F																	3709	2035	5.380
	1 3/16	SUCSFB206-19/F	SUC206-19/F																			
	1 ¼	SUCSFB206-20/F	SUC206-20/F																			

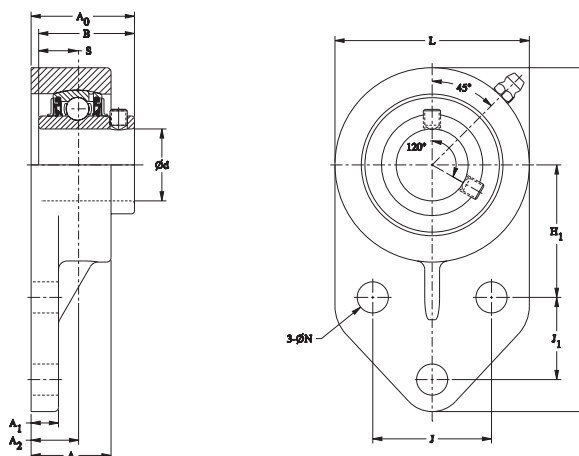
STAINLESS STEEL HOUSING WITH STAINLESS STEEL BALL BEARING INSERTS

STAINLESS STEEL THREE-BOLT FLANGED MOUNTED BEARINGS



These units can be ordered with IP69K rated seal. No lubrication hole and no grease fitting with IP69K.

IP69K rated seal part number for Stainless Steel Three-Bolt Flanged Mounted Bearings: SUCSFB205-16-IP69K/F



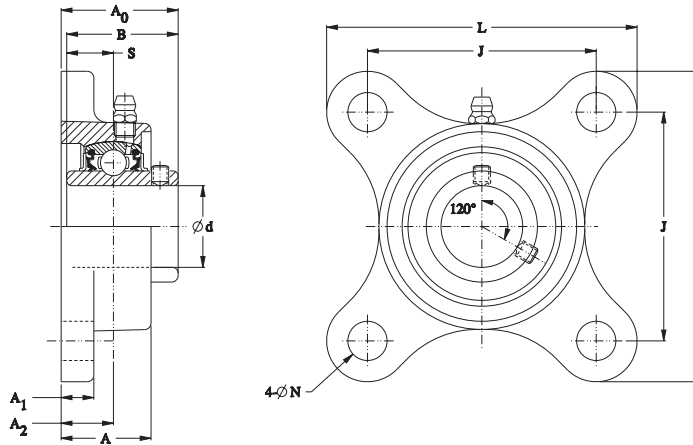
Shaft Dia. d		Three-Bolt Flange Designation	Bearing Designation	Basic Load Ratings		Dimensions												Bolt Size	Wt.	
				Dynamic	Static	H	H ₁	J ₁	J	L	A ₁	A ₂	A	A ₀	B	S	N			
				C _r	C _{0r}	mm in.	mm in.	mm in.	mm in.	mm in.	mm in.	mm in.	mm in.	mm in.	mm in.	mm in.	mm in.			mm in.
35	1 ¼	SUCSFB207-20/F	SUC207-20/F	21.8 4901	12.30 2765	152.4 6.000	60.3 2.375	31.8 1.250	50.8 2.000	92.1 3.625	12.7 0.500	20.1 0.792	31.1 1.223	45.5 1.792	42.9 1.689	17.5 0.689	13.5 0.531	M12 ½	1.9 4.2	
	1 ⅝	SUCSFB207-21/F	SUC207-21/F																	
	1 ¾	SUCSFB207-22/F	SUC207-22/F																	
	SUCSFB207/F		SUC207/F																	
	1 7/8	SUCSFB207-23/F	SUC207-23/F																	
40	1 ½	SUCSFB208-24/F	SUC208-24/F	24.8 5575	14.30 3215	165.1 6.500	65.1 2.563	34.9 1.375	57.2 2.250	101.6 4.000	12.7 0.500	17.5 0.688	31.5 1.240	47.7 1.877	49.2 1.937	19 0.748	13.5 0.531	M12 ½	2.1 4.7	
	1 ⅝	SUCSFB208-25/F	SUC208-25/F																	
	SUCSFB208/F		SUC208/F																	

STAINLESS STEEL FOUR-BOLT FLANGED MOUNTED BEARINGS



These units can be ordered with IP69K rated seal and/or QuiKlean housing type. No lubrication hole and no grease fitting with IP69K.

IP69K rated seal part number for Stainless Steel Four-Bolt Flanged Mounted Bearings: SUCSF205-16-IP69K/F



Shaft Dia. d		Four-Bolt Flange Designation	Bearing Designation	Basic Load Ratings		Dimensions										Bolt Size	Wt.																									
				Dynamic C _r	Static C _{0r}	L	J	A ₁	A	A ₀	S	B	A ₂	N																												
mm	in.			kN lbs.	kN lbs.	mm in.	mm in.	mm in.	mm in.	mm in.	mm in.	mm in.	mm in.	mm in.	mm in.	mm in.	kg lbs.																									
20	3/4	SUCSF-204-12/F	SUC204-12/F	10.9	5.35	86	64	10	26.0	33.3	12.7	31.0	15	12	M10	0.5																										
		SUCSF-204/F	SUC204/F	2450	1203	3 3/8	2 33/64	1 1/2	1 1/2	1 5/16	0.500	1.220	1 1/2	1 1/2	3/8	1.1																										
25	7/8	SUCSF205-14/F	SUC205-14/F	11.9	6.30	95	70	10	27.5	35.8	14.3	34.1	16	12	M10	0.7																										
	1 1/16	SUCSF205-15/F	SUC205-15/F														2675	1416	3 3/4	2 3/4	1 1/2	1 3/2	1 1 3/2	0.563	1.343	5/8	1 1/2	1.5														
	1	SUCSF205-16/F	SUC205-16/F														16.5	9.05	108	83	10	31.0	40.2	15.9	38.1	18	12	M10	1.0													
	1 1/8	SUCSF206-18/F	SUC206-18/F																											3709	2035	4 1/4	3 17/64	1 1/2	1 7/2	1 1 1/2	0.626	1.500	4 5/64	1 1/2	3/8	2.2
30	1 1/4	SUCSF206-19/F	SUC206-19/F	21.8	12.30	117	92	11	34.0	44.4	17.5	42.9	19	14	M12	1.3																										
	1 1/2	SUCSF206-20/F	SUC206-20/F														4901	2765	4 19/32	3 5/8	7/16	1 1 1/2	1 3/4	0.689	1.689	3/4	3 5/64	7/16	2.9													
	1 3/4	SUCSF207-20/F	SUC207-20/F														21.8	12.30	117	92	11	34.0	44.4	17.5	42.9	19	14	M12	1.3													
	1 5/8	SUCSF207-21/F	SUC207-21/F																											4901	2765	4 19/32	3 5/8	7/16	1 1 1/2	1 3/4	0.689	1.689	3/4	3 5/64	7/16	2.9
	1 3/8	SUCSF207-22/F	SUC207-22/F																											21.8	12.30	117	92	11	34.0	44.4	17.5	42.9	19	14	M12	1.3
1 7/8	SUCSF207-23/F	SUC207-23/F	4901	2765	4 19/32	3 5/8	7/16	1 1 1/2	1 3/4	0.689	1.689	3/4	3 5/64	7/16	2.9																											

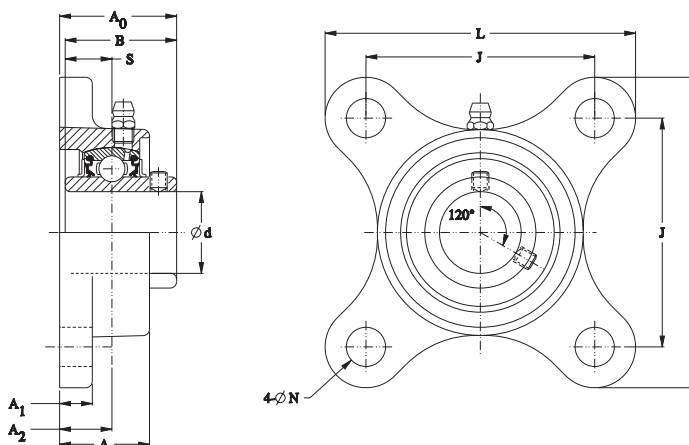
STAINLESS STEEL HOUSING WITH STAINLESS STEEL BALL BEARING INSERTS

STAINLESS STEEL FOUR-BOLT FLANGED MOUNTED BEARINGS



These units can be ordered with IP69K rated seal. No lubrication hole and no grease fitting with IP69K.

IP69K rated seal part number for Stainless Steel Four-Bolt Flanged Mounted Bearings: SUCSF205-16-IP69K/F



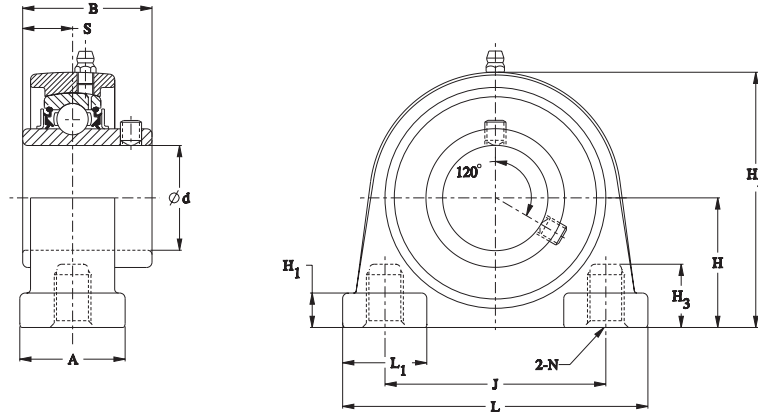
Shaft Dia. d		Four-Bolt Flange Designation	Bearing Designation	Basic Load Ratings		Dimensions									Bolt Size	Wt.
				Dynamic C _r	Static C _{0r}	L	J	A ₁	A	A ₀	S	B	A ₂	N		
mm	in.			kN lbs.	kN lbs.	mm in.	mm in.	mm in.	mm in.	mm in.	mm in.	mm in.	mm in.	mm in.	mm in.	
40	1 ½	SUCSF208-24/F	SUC208-24/F	24.8 5575	14.30 3215	130 5 ⅞	102 4 ¼	12 ½	36.0 1 ½	51.2 2 ½	19.0 0.748	49.2 1.937	21 ¾	16 ⅝	M14 ½	1.6 3.5
	1 ⅞	SUCSF208-25/F	SUC208-25/F													
		SUCSF208/F	SUC208/F													
45	1 ⅝	SUCSF209-26/F	SUC209-26/F	27.8 6250	16.20 3642	137 5 ½	105 4 ¾	13 ½	38.0 1 ½	52.2 2 ⅙	19.0 0.748	49.2 1.937	22 ⅝	16 ⅝	M14 ½	1.9 4.2
	1 ⅞	SUCSF209-27/F	SUC209-27/F													
	1 ¾	SUCSF209-28/F	SUC209-28/F													
		SUCSF209/F	SUC209/F													
50	1 ⅞	SUCSF210-30/F	SUC210-30/F	29.8 6699	18.60 4181	143 5 ⅝	111 4 ¾	13 ½	40.0 1 ⅙	54.6 2 ⅝	19.0 0.748	51.6 2.031	22 ⅝	16 ⅝	M14 ½	2.2 4.9
	1 ¾	SUCSF210-31/F	SUC210-31/F													
		SUCSF210/F	SUC210/F													
	2	SUCSF210-32/F	SUC210-32/F													

STAINLESS STEEL TAPPED-BASE MOUNTED BEARINGS



These units can be ordered with IP69K rated seal and/or QuiKlean housing type. No lubrication hole and no grease fitting with IP69K.

IP69K rated seal part number for Stainless Steel Tapped-Base Mounted Bearings:
SUCSTB205-16-IP69K/F



Shaft Dia. d		Tapped Base Pillow Block Designation	Bearing Designation	Basic Load Ratings		Dimensions											Wt.
				Dynamic	Static	H	L	A	J	N	H ₁	H ₂	H ₃	L ₁	B	S	
				C _r	C _{0r}	mm in.	mm in.	mm in.	mm in.	mm in.	mm in.	mm in.	mm in.	mm in.	mm in.	mm in.	
20	3/4	SUCSTB204-12/F	SUC204-12/F	10.9	5.35	30.2	76	30	52	M10	10	60	18	22	31.0	12.7	0.5
		SUCSTB204/F	SUC204/F	2450	1203	1 3/16	3	1 3/16	2 3/64	1.5	1 3/32	2 3/8	4 5/64	7/8	1.220	0.500	1.1
	7/8	SUCSTB205-14/F	SUC205-14/F	11.9	6.30	36.5	84	30	56	M10	12	69	18	24	34.1	14.3	0.6
1 1/16	SUCSTB205-15/F	SUC205-15/F	2675														
25	1	SUCSTB205-16/F	SUC205-16/F	16.5	9.05	42.9	94	36	66	M14	12	81	24	28	38.1	15.9	0.9
	1 1/8	SUCSTB206-18/F	SUC206-18/F														
	1 3/8	SUCSTB206-19/F	SUC206-19/F	21.8	12.30	47.6	110	38	80	M14	13	91	27	30	42.9	17.5	1.3
1 1/4	SUCSTB206-20/F	SUC206-20/F	4901														
30	1 1/4	SUCSTB207-20/F	SUC207-20/F	21.8	12.30	47.6	110	38	80	M14	13	91	27	30	42.9	17.5	1.3
	1 5/8	SUCSTB207-21/F	SUC207-21/F														
	1 3/8	SUCSTB207-22/F	SUC207-22/F	21.8	12.30	47.6	110	38	80	M14	13	91	27	30	42.9	17.5	1.3
1 1/4	SUCSTB207-20/F	SUC207-20/F	4901														
35	1 3/8	SUCSTB207-22/F	SUC207-22/F	21.8	12.30	47.6	110	38	80	M14	13	91	27	30	42.9	17.5	1.3
	1 1/2	SUCSTB207-23/F	SUC207-23/F														
	1 7/8	SUCSTB207-23/F	SUC207-23/F	4901	2765	1 7/8	4 11/32	1 1/2	3 5/32	2.0	1/2	3 19/32	1 1/16	1 3/16	1.689	0.689	2.9

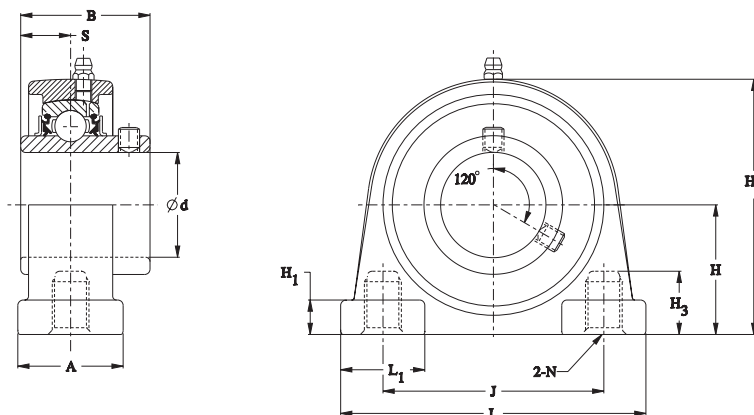
STAINLESS STEEL HOUSING WITH STAINLESS STEEL BALL BEARING INSERTS

STAINLESS STEEL TAPPED-BASE MOUNTED BEARINGS



These units can be ordered with IP69K rated seal. No lubrication hole and no grease fitting with IP69K.

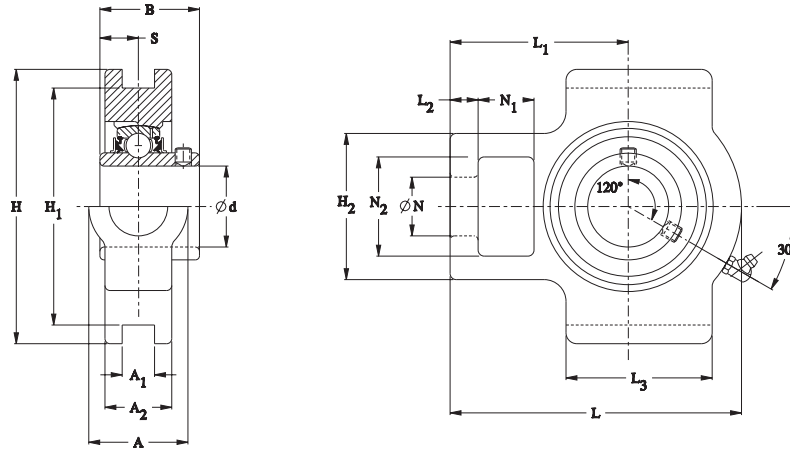
IP69K rated seal part number for Stainless Steel Tapped-Base Mounted Bearings:
SUCSTB205-16-IP69K/F



Shaft Dia. d		Tapped Base Pillow Block Designation	Bearing Designation	Basic Load Ratings		Dimensions											Wt.														
				Dynamic C _r	Static C _{0r}	H	L	A	J	N	H ₁	H ₂	H ₃	L ₁	B	S															
mm	in.			kN lbs.	kN lbs.	mm in.	mm in.	mm in.	mm in.	mm in.	mm in.	mm in.	mm in.	mm in.	mm in.	mm in.	kg lbs.														
40	1 ½	SUCSTB208-24/F	SUC208-24/F	24.8	14.30	49.2	116	40	84	M14	13	97	27	32	49.2	19.0	1.6														
	1 ¾	SUCSTB208-25/F	SUC208-25/F															5575	3215	1 15/16	4 ¾	1 ¾	3 5/16	2.0	½	3 13/16	1 1/16	1 ¼	1.937	0.748	3.5
		SUCSTB208/F	SUC208/F																												
45	1 ⅝	SUCSTB209-26/F	SUC209-26/F	27.8	16.20	54.2	120	40	90	M14	13	104	31	32	49.2	19.0	1.8														
	1 7/8	SUCSTB209-27/F	SUC209-27/F															6250	3642	2 ½	4 23/32	1 ¾	3 39/64	2.0	½	4 3/32	1 7/32	1 ¼	1.937	0.748	4.0
	1 ¾	SUCSTB209-28/F	SUC209-28/F																												
50	1 7/8	SUCSTB210-30/F	SUC210-30/F	29.8	18.60	57.2	130	45	94	M16	14	111	31	36	51.6	19.0	2.3														
	1 15/16	SUCSTB210-31/F	SUC210-31/F															6699	4181	2 ¼	5 ½	1 25/32	3 49/64	2.0	9/16	4 3/8	1 7/32	1 27/64	2.031	0.748	5.1
	2	SUCSTB210-32/F	SUC210-32/F																												

STAINLESS STEEL TAKE-UP MOUNTED BEARINGS

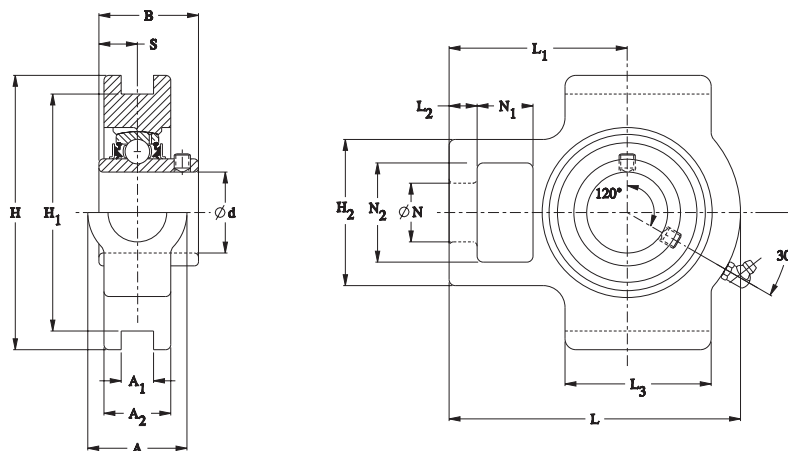
These units can be ordered with IP69K rated seal and/or QuiKlean housing type. No lubrication hole and no grease fitting with IP69K.



Shaft Dia. d		Take-Up Unit Designation	Bearing Designation	Basic Load Ratings		Dimensions															Wt.																			
				Dynamic C _r	Static C _{0r}	H	H ₁	L ₂	L ₁	A ₂	A	N	L	H ₂	S	B	L ₃	N ₁	N ₂	A ₁																				
mm	in.				mm	mm	mm	mm	mm	mm	mm	mm	mm	mm	mm	mm	mm	mm	mm	mm	kg																			
20	¾	SUCST204-12/F	SUC204-12/F	10.9	5.4	89	76	9	59	23	32	19	89	46	12.7	31.0	44	18	32	12	0.7																			
		SUCST204/F	SUC204/F	2450	1203	3 ½	2 63/64	1 ½	2 3/16	29/32	1 ¼	¾	3 ½	1 13/16	0.500	1.220	1 23/32	23/32	1 ¼	1 5/32	1.5																			
25	7/8	SUCST205-14/F	SUC205-14/F	11.9	6.3	89	76	9	60	25	32	19	93	46	14.3	34.1	44	18	32	12	0.8																			
	1 5/16	SUCST205-15/F	SUC205-15/F																			2675	1416	3 ½	2 63/64	1 ½	2 3/8	31/32	1 ¼	¾	3 21/32	1 13/16	0.563	1.343	1 23/32	23/32	1 ¼	1 5/32	1.8	
		SUCST205/F	SUC205/F																																					
30	1	SUCST205-16/F	SUC205-16/F	16.5	9.1	102	89	9	67	27	37	22	106	52	15.9	38.1	50	18	37	12	1.1																			
	1 1/8	SUCST206-18/F	SUC206-18/F																			3709	2035	4 ½	3 ½	1 ½	2 3/8	1 1/16	1 15/32	7/8	4 3/16	2 1/16	0.626	1.500	1 31/32	23/32	1 15/32	1 5/32	2.4	
		SUCST206/F	SUC206/F																																					
35	1 3/16	SUCST206-19/F	SUC206-19/F	21.8	12.3	102	89	11	75	31	37	22	119	56	17.5	42.9	56	18	37	12	1.5																			
	1 ¼	SUCST206-20/F	SUC206-20/F																			4901	2765	4 ½	3 ½	7/16	2 15/16	1 7/32	1 15/32	7/8	4 1/16	2 7/32	0.689	1.689	2 7/32	23/32	1 15/32	1 5/32	3.3	
	1 ¼	SUCST207-20/F	SUC207-20/F																																					
	1 5/16	SUCST207-21/F	SUC207-21/F																																					
35	1 3/8	SUCST207-22/F	SUC207-22/F																																					
		SUCST207/F	SUC207/F																																					
	1 7/16	SUCST207-23/F	SUC207-23/F																																					

STAINLESS STEEL HOUSING WITH STAINLESS STEEL BALL BEARING INSERTS

STAINLESS STEEL TAKE-UP MOUNTED BEARINGS



Shaft Dia. d		Take-Up Unit Designation	Bearing Designation	Basic Load Ratings		Dimensions															Wt.
				Dynamic C _r	Static C _{0r}	H	H ₁	L ₂	L ₁	A ₂	A	N	L	H ₂	S	B	L ₃	N ₁	N ₂	A ₁	
mm	in.			kN lbs.	kN lbs.	mm in.	mm in.	mm in.	mm in.	mm in.	mm in.	mm in.	mm in.	mm in.	mm in.	mm in.	mm in.	mm in.	mm in.	mm in.	kg lbs.
	1 1/2	SUCST208-24/F	SUC208-24/F	24.8	14.3	114	102	14	85	32	49	29	135	74	19.0	49.2	64	20	49	16	2.0
	1 5/8	SUCST208-25/F	SUC208-25																		
40		SUCST208/F	SUC208/F																		
	1 5/8	SUCST209-26/F	SUC209-26/F	27.8	16.2	117	102	14	85	34	49	29	137	74	19.0	49.2	66	20	49	16	2.1
	1 11/16	SUCST209-27/F	SUC209-27/F																		
45		SUCST209/F	SUC209/F																		
	1 7/8	SUCST210-30/F	SUC210-30/F	29.8	18.6	117	102	14	87	35	49	29	143	74	19.0	51.6	72	20	49	16	2.3
	1 15/16	SUCST210-31/F	SUC210-31/F																		
50		SUCST210/F	SUC210/F																		
	2	SUCST210-32/F	SUC210-32/F																		



***WHITE POLYMER
(THERMOPLASTIC) HOUSING
WITH STAINLESS STEEL BALL
BEARING INSERTS***

The following topics are covered within this section:

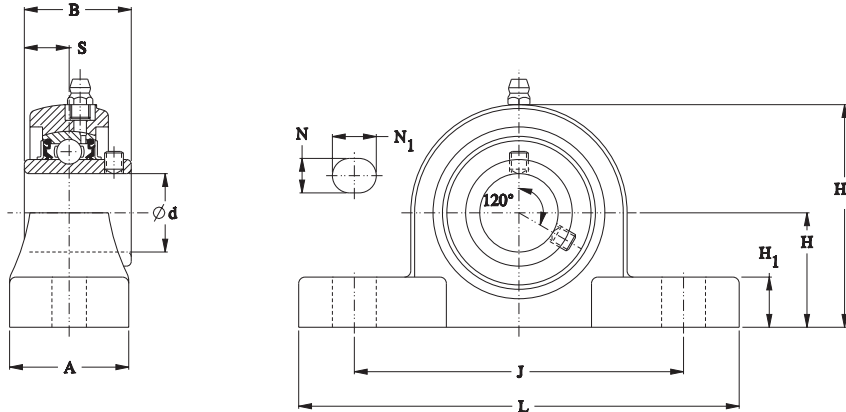
Polymer Two-Bolt Pillow Block Mounted Bearings	36
Polymer Two-Bolt Flanged Mounted Bearings	38
Polymer Three-Bolt Flanged Mounted Bearings	40
Polymer Four-Bolt Flanged Mounted Bearings	42

POLYMER TWO-BOLT PILLOW BLOCK MOUNTED BEARINGS



These units can be ordered with IP69K rated seal and/or QuiKlean housing type. No lubrication hole and no grease fitting with IP69K.

IP69K rated seal part number for Polymer Two-Bolt Pillow Block Mounted Bearings: SUCPLP205-16-IP69K/F

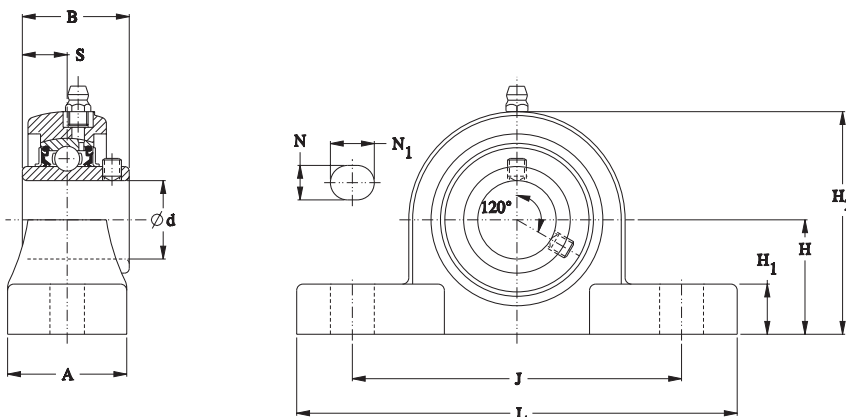


Shaft Dia. d		Pillow Block Designation	Bearing Designation	Basic Load Ratings		Dimensions										Bolt Size	Wt.															
				Dynamic C _r	Static C _{0r}	H	L	A	H ₁	J	H ₂	S	B	N	N ₁																	
mm	in.				mm in.	mm in.	mm in.	mm in.	mm in.	mm in.	mm in.	mm in.	mm in.	mm in.	mm in.	mm in.	mm in.	kg lbs.														
20	¾	SUCPLP204-12/F	SUC204-12/F	10.9	5.35	33.3	127.0	38	14.2	95	65.5	12.7	31.0	11	14	M8	0.3															
		SUCPLP204/F	SUC204/F	2450	1203	1 ⅜	5	1 ½	⅝	3 ¾	2 ⅞	0.500	1.220	⅞	⅞	⅝	0.7															
25	⅞	SUCPLP205-14/F	SUC205-14/F	11.9	6.30	36.5	140.5	38	16.0	105	71.0	14.3	34.1	11	14	M8	0.4															
	1 ⅛	SUCPLP205-15/F	SUC205-15/F															2675	1416	1 ⅞	5 1 ½	1 ½	⅝	4 ⅞	2 ⅞	0.563	1.343	⅞	⅞	⅝	0.9	
		SUCPLP205/F	SUC205/F																													
30	1	SUCPLP205-16/F	SUC205-16/F	16.5	9.05	42.9	163.0	46	17.8	119	84.0	15.9	38.1	14	18	M12	0.6															
	1 ⅜	SUCPLP206-18/F	SUC206-18/F															3709	2035	1 ⅞	6 ⅞	1 ⅞	⅞	4 1 ⅞	3 ⅞	0.626	1.500	⅞	2 ⅞	½	1.3	
	1 ¾	SUCPLP206-20/F	SUC206-20/F																													
35	1 ¼	SUCPLP207-20/F	SUC207-20/F	21.8	12.30	47.6	168.0	48	18.0	127	94.5	17.5	42.9	14	18	M12	0.8															
	1 ⅝	SUCPLP207-21/F	SUC207-21/F															4901	2765	1 ⅞	6 ⅞	1 ⅞	2 ⅞	5	3 ⅞	0.689	1.689	⅞	2 ⅞	½	1.8	
	1 ¾	SUCPLP207-22/F	SUC207-22/F																													
		SUCPLP207/F	SUC207/F																													
	1 ⅞	SUCPLP207-23/F	SUC207-23/F																													



These units can be ordered with IP69K rated seal. No lubrication hole and no grease fitting with IP69K.

IP69K rated seal part number for Polymer Two-Bolt Pillow Block Mounted Bearings: SUCPLP205-16-IP69K/F



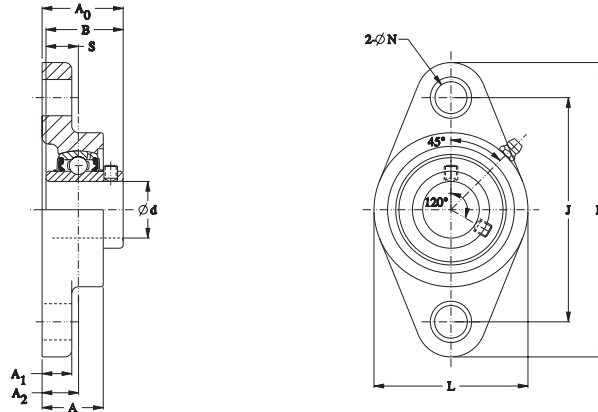
Shaft Dia. d		Pillow Block Designation	Bearing Designation	Basic Load Ratings		Dimensions										Bolt Size	Wt.														
				Dynamic	Static	H	L	A	H ₁	J	H ₂	S	B	N	N ₁																
				C _r	C _{0r}	mm in.	mm in.	mm in.	mm in.	mm in.	mm in.	mm in.	mm in.	mm in.	mm in.			mm in.	mm in.												
40	1 ½	SUCPLP208-24/F	SUC208-24/F	24.8	14.30	49.2	184.0	54	19.5	137	101.0	19.0	49.2	14	18	M12	1.0														
	1 ¾	SUCPLP208-25/F	SUC208-25/F															5575	3215	1 15/16	7 ¼	2 ½	25/32	5 13/32	3 3/32	0.748	1.937	9/16	23/32	½	2.2
		SUCPLP208/F	SUC208/F																												
45	1 5/8	SUCPLP209-26/F	SUC209-26/F	27.8	16.20	54.0	192.0	54	23.0	146	106.0	19.0	49.2	17	20	M14	1.1														
	1 11/16	SUCPLP209-27/F	SUC209-27/F															6250	3642	2 ½	7 7/16	2 ½	29/32	5 3/4	4 3/16	0.748	1.937	43/64	25/32	5/8	2.4
	1 ¾	SUCPLP209-28/F	SUC209-28/F																												
50	1 7/8	SUCPLP210-30/F	SUC210-30/F	29.8	18.60	57.2	206.0	60	23.0	159	114.0	19.0	51.6	17	20	M14	1.3														
	1 15/16	SUCPLP210-31/F	SUC210-31/F															6699	4181	2 ¼	8 1/8	2 3/8	29/32	6 ¼	4 ½	0.748	2.036	43/64	25/32	5/8	1.3
	2	SUCPLP210-32/F	SUC210-32/F																												

POLYMER TWO-BOLT FLANGED MOUNTED BEARINGS



These units can be ordered with IP69K rated seal and/or QuiKlean housing type. No lubrication hole and no grease fitting with IP69K.

IP69K rated seal part number for Polymer Two-Bolt Flanged Mounted Bearings:
SUCPLFL205-16-IP69K/F

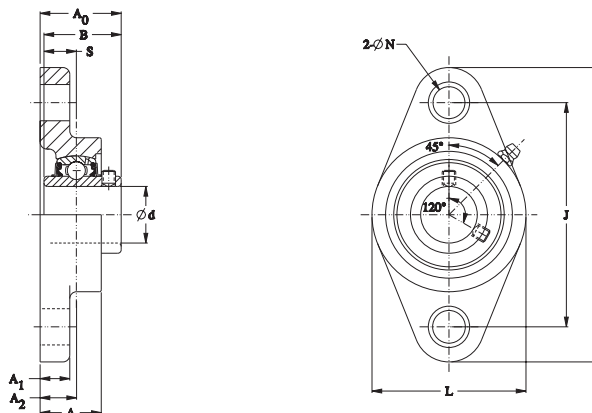


Shaft Dia. d		Two-Bolt Flange Designation	Bearing Designation	Basic Load Ratings		Dimensions										Bolt Size	Wt.															
				Dynamic C _r	Static C _{0r}	H	J	A ₁	A	A ₀	L	A ₂	S	B	N																	
mm	in.			kN lbs.	kN lbs.	mm in.	mm in.	mm in.	mm in.	mm in.	mm in.	mm in.	mm in.	mm in.	mm in.	mm in.	mm in.	kg lbs.														
20	3/4	SUCPLFL204-12/F	SUC204-12/F	10.9	5.35	113	90.0	13.4	27.0	33.3	65	15	12.7	31.0	11	M8	0.3															
		SUCPLFL204/F	SUC204/F	2450	1203	4 7/16	3 3/64	1 7/32	1 1/16	1 1/16	2 1/16	1 9/32	0.500	1.220	7/16	5/16	0.7															
25	7/8	SUCPLFL205-14/F	SUC205-14/F	11.9	6.30	131	99.0	13.8	28.2	35.8	70	16	14.3	34.1	11	M8	0.3															
	1 1/16	SUCPLFL205-15/F	SUC205-15/F															2675	1416	5 5/32	3 9/64	1 7/32	1 7/64	1 13/32	2 3/4	5/8	0.563	1.343	7/16	5/16	0.7	
		SUCPLFL205/F	SUC205/F																													
30	1	SUCPLFL205-16/F	SUC205-16/F	16.5	9.05	148	117.0	14.3	31.0	40.2	80	18	15.9	38.1	11	M8	0.5															
	1 1/8	SUCPLFL206-18/F	SUC206-18/F															3709	2035	5 13/16	4 3/64	9/16	1 1/2	1 19/32	3 5/32	4 5/64	0.626	1.500	7/16	5/16	1.1	
	1 3/16	SUCPLFL206-19/F	SUC206-19/F																													
35	1 1/4	SUCPLFL206-20/F	SUC206-20/F	21.8	12.30	164	130.0	15.5	32.7	44.4	90	19	17.5	42.9	13	M10	0.7															
	1 1/4	SUCPLFL207-20/F	SUC207-20/F															4901	2765	6 15/32	5 1/8	5/8	1 1/2	1 3/4	3 17/32	3/4	0.689	1.689	33/64	3/8	1.5	
	1 3/8	SUCPLFL207-21/F	SUC207-21/F																													
	1 3/8	SUCPLFL207-22/F	SUC207-22/F																													
	1 7/16	SUCPLFL207-23/F	SUC207-23/F																													



These units can be ordered with IP69K rated seal. No lubrication hole and no grease fitting with IP69K.

IP69K rated seal part number for Polymer Two-Bolt Flanged Mounted Bearings:
SUCPLFL205-16-IP69K/F



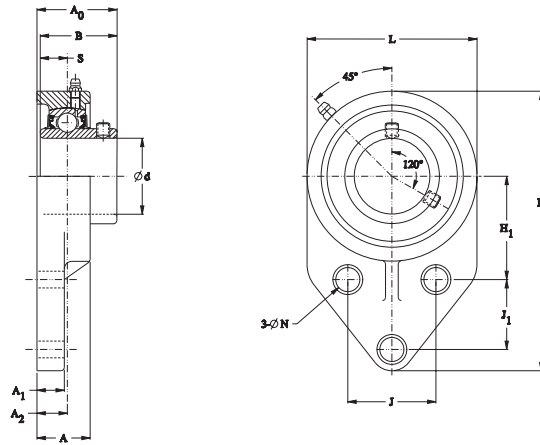
Shaft Dia. d		Two-Bolt Flange Designation	Bearing Designation	Basic Load Ratings		Dimensions										Bolt Size	Wt.														
				Dynamic	Static	H	J	A ₁	A	A ₀	L	A ₂	S	B	N																
				C _r	C _{0r}	mm	mm	mm	mm	mm	mm	mm	mm	mm	mm			mm	mm												
40	1 ½	SUCPLFL208-24/F	SUC208-24/F	24.8	14.30	176	144.0	16.5	35.2	51.2	100	21	19.0	49.2	14	M12	0.9														
	1 ¾	SUCPLFL208-25/F	SUC208-25/F															5575	3215	6 15/16	5 43/64	2 1/32	1 25/64	2 1/32	3 15/16	53/64	0.748	1.937	35/64	½	2.0
		SUCPLFL208/F	SUC208/F																												
	1 ⅝	SUCPLFL209-26/F	SUC209-26/F	27.8	16.20	189	148.5	21.0	41.0	54.2	108	24	19.0	49.2	17	M14	1.0														
	1 ¾	SUCPLFL209-27/F	SUC209-27/F															6250	3642	7 7/16	5 27/32	53/64	1 39/64	2 3/64	4 1/4	61/64	0.748	1.937	43/64	5/8	2.2
		SUCPLFL209/F	SUC209/F																												
	1 7/8	SUCPLFL210-30/F	SUC210-30/F	29.8	18.60	197	157.0	21.0	43.0	57.6	115	25	19.0	51.6	17	M14	1.2														
	1 5/8	SUCPLFL210-31/F	SUC210-31/F															6699	4181	7 3/4	6 3/16	53/64	1 11/16	2 17/64	4 17/32	63/64	0.748	2.031	43/64	5/8	2.6
		SUCPLFL210/F	SUC210/F																												
	2	SUCPLFL210-32/F	SUC210-32/F																												

POLYMER THREE-BOLT FLANGED MOUNTED BEARINGS



These units can be ordered with IP69K rated seal and/or QuiKlean housing type. No lubrication hole and no grease fitting with IP69K.

IP69K rated seal part number for Polymer Three-Bolt Flanged Mounted Bearings: SUCPLFB205-16-IP69K/F

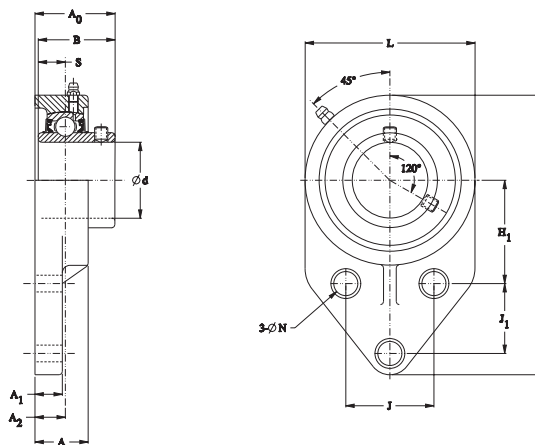


Shaft Dia. d		Three-Bolt Flange Designation	Bearing Designation	Basic Load Ratings		Dimensions											Bolt Size	Wt.																	
				Dynamic C _r	Static C _{0r}	H	H ₁	J ₁	J	L	A	A ₂	A ₀	A ₁	S	B			N																
mm	in.			kN lbs.	kN lbs.	mm in.	mm in.	mm in.	mm in.	mm in.	mm in.	mm in.	mm in.	mm in.	mm in.	mm in.	mm in.	mm in.	mm in.	mm in.	mm in.	mm in.	mm in.	kg lbs.											
20	3/4	SUCPLFB204-12/F	SUC204-12/F	10.9	5.35	108.0	42.9	22.2	38.1	63.5	26.1	15.4	33.7	11.4	12.7	31.0	11	M8	0.3																
		SUCPLFB204/F	SUC204/F	2450	1203	4 1/4	1 11/16	7/8	1 1/2	2 1/2	1 1/2	39/64	1 5/16	7/16	0.500	1.220	7/16	5/16	0.7																
25	7/8	SUCPLFB205-14/F	SUC205-14/F	11.9	6.30	121.0	46.0	28.6	41.3	70.0	34.1	21.5	41.3	11.4	14.3	34.1	11	M8	0.3																
	1 1/16	SUCPLFB205-15/F	SUC205-15/F																	2675	1416	4 3/4	1 13/16	1 1/8	1 5/8	2 3/4	1 11/32	27/32	1 5/8	7/16	0.563	1.343	7/16	5/16	0.7
	1	SUCPLFB205-16/F	SUC205-16/F																																
30	1 1/8	SUCPLFB206-18/F	SUC206-18/F	16.5	9.05	138.5	52.4	31.8	47.6	83.0	32.3	19.3	41.5	13.3	15.9	38.1	11	M8	0.5																
		SUCPLFB206/F	SUC206/F																	3709	2035	5 29/64	2 1/16	1 1/4	1 7/8	3 1/4	1 9/32	49/64	1 5/8	17/32	0.626	1.500	7/16	5/16	1.1
	1 3/16	SUCPLFB206-19/F	SUC206-19/F																																
	1 1/4	SUCPLFB206-20/F	SUC206-20/F																																



These units can be ordered with IP69K rated seal. No lubrication hole and no grease fitting with IP69K.

IP69K rated seal part number for Polymer Three-Bolt Flanged Mounted Bearings: SUCPLFB205-16-IP69K/F



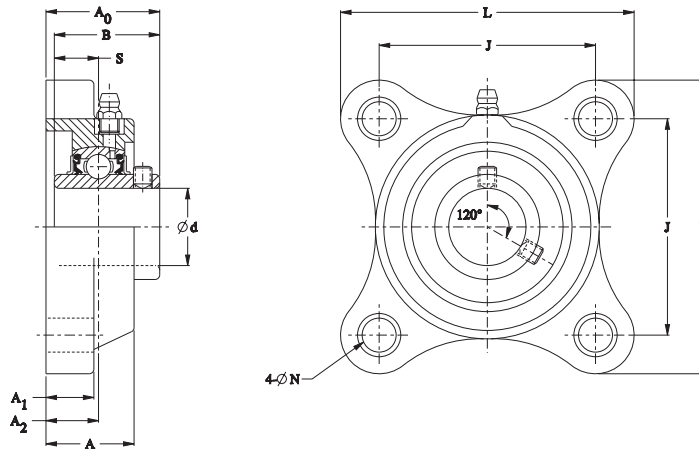
Shaft Dia. d		Three-Bolt Flange Designation	Bearing Designation	Basic Load Ratings		Dimensions											Bolt Size	Wt.		
				Dynamic C _r	Static C _{0r}	H	H ₁	J ₁	J	L	A	A ₂	A ₀	A ₁	S	B			N	
mm	in.			kN lbs.	kN lbs.	mm in.	mm in.	mm in.	mm in.	mm in.	mm in.	mm in.	mm in.	mm in.	mm in.	mm in.	mm in.	mm in.	mm in.	
	1 ¼	SUCPLFB207-20/F	SUC207-20/F																	
	1 ⅝	SUCPLFB207-21/F	SUC207-21/F																	
	1 ¾	SUCPLFB207-22/F	SUC207-22/F	21.8 4901	12.30 2765	157.0 6 ¾	60.3 2 ¾	31.8 1 ¼	50.8 2	95.0 3 ¾	36.5 1 ⅞	21.7 27/32	47.1 1 27/32	16.0 ⅝	17.5 0.689	42.9 1.689	13 33/64	M10 ½	0.8 1.8	
35		SUCPLFB207/F	SUC207/F																	
	1 ⅞	SUCPLFB207-23/F	SUC207-23/F																	

POLYMER FOUR-BOLT FLANGED MOUNTED BEARINGS



These units can be ordered with IP69K rated seal and/or QuiKlean housing type. No lubrication hole and no grease fitting with IP69K.

IP69K rated seal part number for Polymer Four-Bolt Flanged Mounted Bearings: SUCPLF205-16-IP69K/F

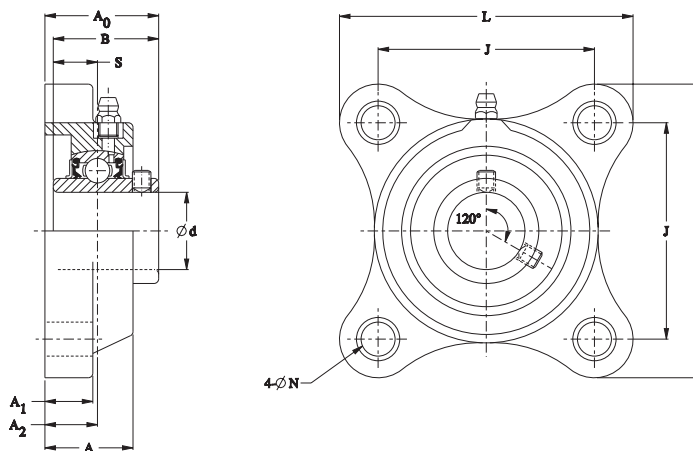


Shaft Dia. d		Four-Bolt Flange Designation	Bearing Designation	Basic Load Ratings		Dimensions									Bolt Size	Wt.															
				Dynamic C _r	Static C _{0r}	L	J	A ₁	A	A ₀	S	B	A ₂	N																	
mm	in.				mm	mm	mm	mm	mm	mm	mm	mm	mm	mm	mm	mm	mm	kg	lbs												
20	3/4	SUCPLF204-12/F	SUC204-12/F	10.9	5.35	86	63.5	13.4	28.5	36.3	12.7	31.0	18.0	11	M8	0.3															
		SUCPLF204/F	SUC204/F	2450	1203	3 3/8	2 1/2	1 1/2	1 1/8	1 1/16	0.500	1.220	4 5/64	7/16	5/16	0.7															
25	7/8	SUCPLF205-14/F	SUC205-14/F	11.9	6.30	95	70.0	15.5	29.2	36.8	14.3	34.1	17.0	11	M8	0.4															
	1 1/16	SUCPLF205-15/F	SUC205-15/F														2675	1416	3 3/4	2 3/4	5/8	1 1/2	1 1/16	0.563	1.343	4 3/64	7/16	5/16	0.9		
		SUCPLF205/F	SUC205/F																												
30	1	SUCPLF205-16/F	SUC205-16/F	16.5	9.05	107	83.0	14.5	32.2	41.4	15.9	38.1	19.2	11	M8	0.5															
	1 1/8	SUCPLF206-18/F	SUC206-18/F														3709	2035	4 7/32	3 17/64	9/16	1 17/64	1 5/8	0.626	1.500	3/4	7/16	5/16	1.1		
	1 3/16	SUCPLF206-19/F	SUC206-19/F																												
35	1 1/4	SUCPLF206-20/F	SUC206-20/F	21.8	12.30	118	92.0	15.5	35.2	46.9	17.5	42.9	21.5	13	M10	0.7															
	1 1/4	SUCPLF207-20/F	SUC207-20/F														4901	2765	4 21/32	3 5/8	5/8	1 25/64	1 27/32	0.689	1.689	27/32	33/64	3/8	1.5		
	1 5/16	SUCPLF207-21/F	SUC207-21/F																												
	1 3/8	SUCPLF207-22/F	SUC207-22/F																												
	1 7/16	SUCPLF207-23/F	SUC207-23/F																												



These units can be ordered with IP69K rated seal. No lubrication hole and no grease fitting with IP69K.

IP69K rated seal part number for Polymer Four-Bolt Flanged Mounted Bearings: SUCPLF205-16-IP69K/F



Shaft Dia. d		Four-Bolt Flange Designation	Bearing Designation	Basic Load Ratings		Dimensions									Bolt Size	Wt.																
				Dynamic	Static	L	J	A ₁	A	A ₀	S	B	A ₂	N																		
				C _r	C _{0r}	mm	mm	mm	mm	mm	mm	mm	mm	mm			mm															
mm	in.			kN	kN	mm	mm	mm	mm	mm	mm	mm	mm	mm	mm	mm	in.	kg	lbs													
	1 ½	SUCPLF208-24/F	SUC208-24/F	24.8	14.30	130	102.0	17.0	37.2	53.2	19.0	49.2	23.0	14	M12	½	0.9															
	1 ⅞	SUCPLF208-25/F	SUC208-25/F															5575	3214	5 ½	4 ¼	2 ½	1 ½	2 ¾	0.748	1.937	2 ⅞	3 ⅝	½	2.0		
40		SUCPLF208/F	SUC208/F																													
	1 ⅝	SUCPLF209-26/F	SUC209-26/F	27.8	16.20	137	105.0	19.0	41.0	54.2	19.0	49.2	24.0	17	M14	¾	1.1															
	1 ⅞	SUCPLF209-27/F	SUC209-27/F															6250	3642	5 ⅞	4 ¾	¾	1 ¾	2 ¾	0.748	1.937	6 ¼	4 ¾	¾	2.4		
	1 ¾	SUCPLF209-28/F	SUC209-28/F																													
45		SUCPLF209/F	SUC209/F																													
	1 ⅞	SUCPLF210-30/F	SUC210-30/F	29.8	18.60	143	111.0	21.0	43.0	57.6	19.0	51.6	25.0	17	M14	¾	1.3															
	1 ⅞	SUCPLF210-31/F	SUC210-31/F															6699	4181	5 ⅞	4 ¾	5 ¼	1 ⅞	2 ⅞	0.748	2.031	6 ¾	4 ¾	¾	2.9		
	2	SUCPLF210-32/F	SUC210-32/F																													
50		SUCPLF210/F	SUC210/F																													



***HYGIENIC BLUE POLYMER
(THERMOSET) HOUSING WITH
STAINLESS STEEL BALL
BEARING INSERTS***

The following topics are covered within this section:

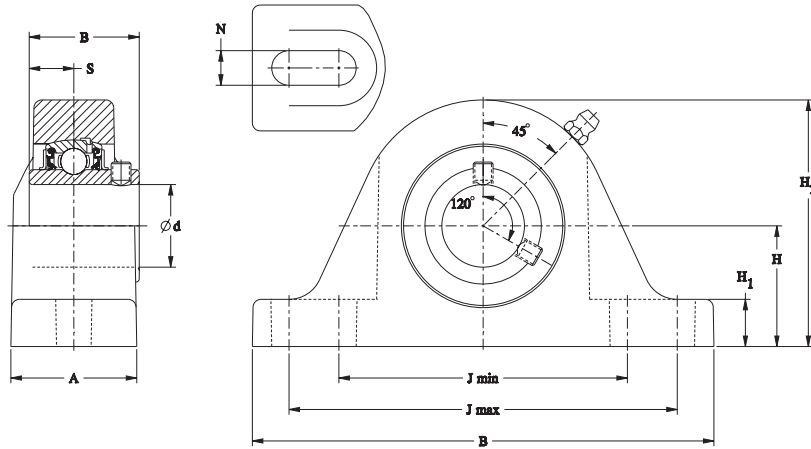
Polymer Two-Bolt Pillow Block Mounted Bearings	46
Polymer Two-Bolt Flanged Mounted Bearings	48
Polymer Three-Bolt Flanged Mounted Bearings	50
Polymer Four-Bolt Flanged Mounted Bearings	52
Polymer Tapped-Base (Imperial Thread) Mounted Bearings . .	54
Polymer Tapped-Base (Metric Thread) Mounted Bearings . . .	56
Polymer Take-Up Mounted Bearings	58

POLYMER TWO-BOLT PILLOW BLOCK MOUNTED BEARINGS



These units can be ordered with IP69K rated seal and/or QuiKlean housing type. No lubrication hole and no grease fitting with IP69K.

IP69K rated seal part number for Polymer Two-Bolt Pillow Block Mounted Bearings: SUCBP205-16-IP69K/F



Shaft Dia. d		Pillow Block Designation	Bearing Designation	Basic Load Ratings		Dimensions										Bolt Size	Wt.															
				Dynamic C _r	Static C _{0r}	H	L	A	H ¹	J min	J max	H ₂	B	S	N																	
mm	in.				mm in.	mm in.	mm in.	mm in.	mm in.	mm in.	mm in.	mm in.	mm in.	mm in.	mm in.	mm in.																
20	3/4	SUCBP204-12/F	SUC204-12/F	10.9	5.4	33.3	133.4	35.1	12.7	82.6	111.3	68.3	31	12.7	10.5	M10	0.3															
		SUCBP204/F	SUC204/F	2450	1203	1.313	5.250	1.376	0.500	3.250	4.375	2.689	1.220	0.500	0.413	3/8	0.7															
25	7/8	SUCBP205-14/F	SUC205-14/F	11.9	6.3	36.6	139.7	38.1	14.2	87.4	117.6	74.6	34.1	14.3	10.5	M10	0.4															
	1 1/16	SUCBP205-15/F	SUC205-15/F															2675	1416	1.438	5.500	1.500	0.563	3.438	4.625	2.937	1.343	0.563	0.412	3/8	0.9	
		SUCBP205/F	SUC205/F																													
30	1	SUCBP205-16/F	SUC205-16/F	16.5	9.1	42.9	158.8	44.5	17.5	104.9	130.3	85.9	38.1	15.9	13.5	M12	0.6															
	1 1/8	SUCBP206-18/F	SUC206-18/F															3709	2035	1.688	6.248	1.750	0.688	4.126	5.125	3.376	1.500	0.626	0.531	1/2	1.3	
	1 3/8	SUCBP206-19/F	SUC206-19/F																													
		SUCBP206/F	SUC206/F																													
35	1 1/4	SUCBP206-20/F	SUC206-20/F	21.8	12.3	47.8	166.6	44.5	17.5	119.1	138.2	98.6	42.9	17.5	13.5	M12	0.9															
	1 1/4	SUCBP207-20/F	SUC207-20/F															4901	2765	1.875	6.564	1.752	0.688	4.688	5.438	3.875	1.689	0.689	0.531	1/2	1.9	
	1 3/8	SUCBP207-21/F	SUC207-21/F																													
		SUCBP207/F	SUC207/F																													
	1 7/8	SUCBP207-23/F	SUC207-23/F																													

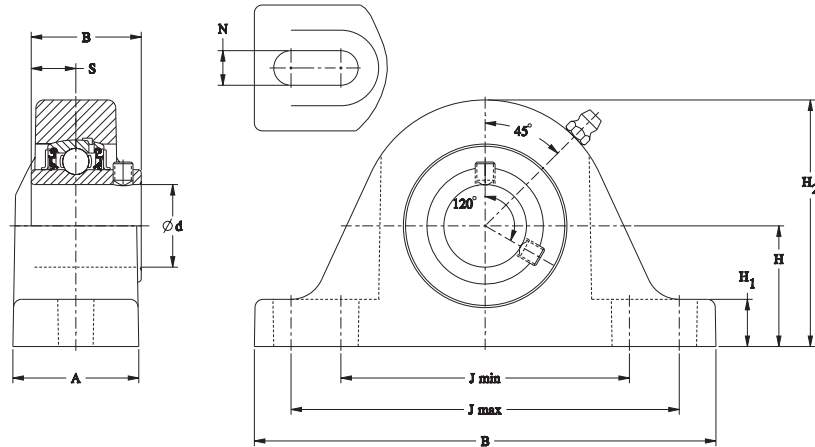
HYGIENIC BLUE POLYMER (THERMOSET) HOUSING WITH STAINLESS STEEL BALL BEARING INSERTS

POLYMER TWO-BOLT PILLOW BLOCK MOUNTED BEARINGS



These units can be ordered with IP69K rated seal. No lubrication hole and no grease fitting with IP69K.

IP69K rated seal part number for
Polymer Two-Bolt Pillow Block
Mounted Bearings:
SUCBP205-16-IP69K/F



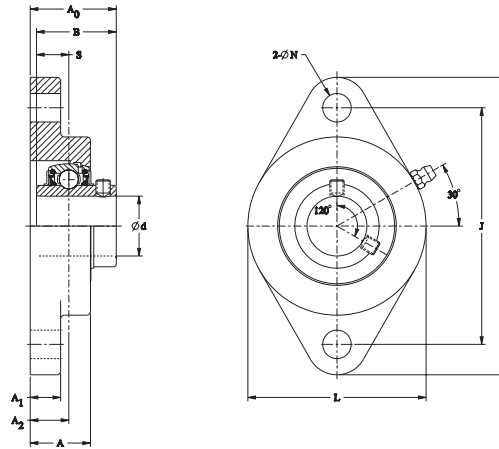
Shaft Dia. d		Pillow Block Designation	Bearing Designation	Basic Load Ratings		Dimensions										Bolt Size	Wt.													
				Dynamic	Static	H	L	A	H ¹	J min	J max	H ₂	B	S	N															
				C _r	C _{0r}	mm	mm	mm	mm	mm	mm	mm	mm	mm	mm			mm	mm											
40	1 ½	SUCBP208-24/F	SUC208-24/F	24.8	14.3	54.1	184.2	49.3	19.1	127	155.7	109.5	49.2	19	13.5	M12	1.1													
	1 ⅝	SUCBP208-25/F	SUC208-25/F															5575	3215	2.130	7.252	1.938	0.750	5.000	6.126	4.310	1.937	0.748	0.531	½
			SUCBP208/F	SUC208/F																										
	1 ⅝	SUCBP209-26/F	SUC209-26/F	27.8	16.2	54.1	189	50.8	19.1	134.9	160.3	111.3	49.2	19	13.5	M12	1.2													
1 11/16	SUCBP209-27/F	SUC209-27/F	6250															3642	2.125	7.438	2.000	0.752	5.313	6.311	4.380	1.937	0.748	0.531	½	2.6
1 ¾	SUCBP209-28/F	SUC209-28/F																												
45		SUCBP209/F	SUC209/F																											
	1 7/8	SUCBP210-30/F	SUC210-30/F	29.8	18.6	57.2	206.5	57.2	19.1	149.2	171.5	117.6	51.6	19	16.7	M16	1.5													
	1 15/16	SUCBP210-31/F	SUC210-31/F															6699	4181	2.252	8.125	2.252	0.752	5.875	6.752	4.625	2.031	0.748	0.656	¾
		SUCBP210/F	SUC210/F																											
	2	SUCBP210-32/F	SUC210-32/F																											

POLYMER TWO-BOLT FLANGED MOUNTED BEARINGS

These units can be ordered with IP69K rated seal and/or QuiKlean housing type. No lubrication hole and no grease fitting with IP69K.



IP69K rated seal part number for Polymer Two-Bolt Flanged Mounted Bearings:
SUCBFL205-16-IP69K/F



Shaft Dia. d		Two-Bolt Flange Designation	Bearing Designation	Basic Load Ratings		Dimensions										Bolt Size	Wt.														
				Dynamic C _r	Static C _{0r}	H	J	A ₁	A	A ₀	L	A ₂	B	S	N																
mm	in.			kN lbs	kN lbs	mm in.	mm in.	mm in.	mm in.	mm in.	mm in.	mm in.	mm in.	mm in.	mm in.	mm in.	mm in.	mm in.	kg lbs												
20	3/4	SUCBFL204-12/F	SUC204-12/F	10.9	5.4	112	89.7	11.2	24.1	33.4	68.3	15.1	31	12.7	10.3	M10	0.3														
		SUCBFL204/F	SUC204/F	2450	1203	4.407	3.532	0.438	0.950	1.315	2.690	0.594	1.220	0.500	0.406	3/8	0.6														
25	7/8	SUCBFL205-14/F	SUC205-14/F	11.9	6.3	121.2	98.8	12.7	25.1	36.4	74.4	16.6	34.1	14.3	11.9	M10	0.3														
	15/16	SUCBFL205-15/F	SUC205-15/F															2675	1416	4.770	3.890	0.500	0.990	1.433	2.930	0.654	1.343	0.563	0.469	7/16	0.7
		SUCBFL205/F	SUC205/F																												
30	1	SUCBFL205-16/F	SUC205-16/F	16.5	9.1	145.3	116.7	12.7	27.2	38.9	92.1	16.7	38.1	15.9	11.9	M10	0.5														
	1 1/8	SUCBFL206-18/F	SUC206-18/F															3709	2035	5.720	4.594	0.500	1.067	1.531	3.625	0.657	1.500	0.626	0.469	7/16	1.1
	1 3/8	SUCBFL206-19/F	SUC206-19/F																												
	1 1/4	SUCBFL206-20/F	SUC206-20/F																												
35	1 1/4	SUCBFL207-20/F	SUC207-20/F	21.8	12.3	158.8	130	14.2	31	45.5	101.6	20.1	42.9	17.5	13.5	M12	0.7														
	1 5/8	SUCBFL207-21/F	SUC207-21/F															4901	2765	6.250	5.124	0.563	1.223	1.791	4.000	0.791	1.689	0.689	0.531	1/2	1.6
	1 3/8	SUCBFL207-22/F	SUC207-22/F																												
		SUCBFL207/F	SUC207/F																												
	1 7/8	SUCBFL207-23/F	SUC207-23/F																												

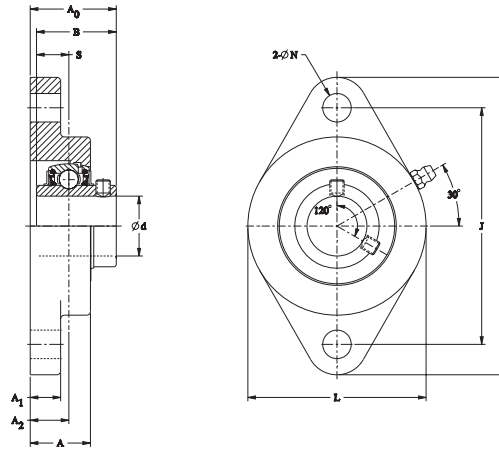
HYGIENIC BLUE POLYMER (THERMOSET) HOUSING WITH STAINLESS STEEL BALL BEARING INSERTS

POLYMER TWO-BOLT FLANGED MOUNTED BEARINGS



These units can be ordered with IP69K rated seal. No lubrication hole and no grease fitting with IP69K.

IP69K rated seal part number for Polymer Two-Bolt Flanged Mounted Bearings:
SUCBFL205-16-IP69K/F



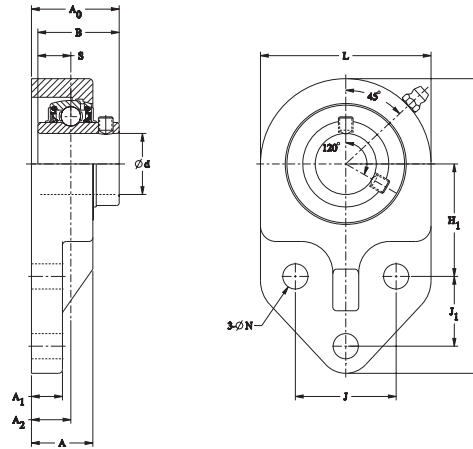
Shaft Dia. d		Two-Bolt Flange Designation	Bearing Designation	Basic Load Ratings		Dimensions										Bolt Size	Wt.														
				Dynamic	Static	H	J	A ₁	A	A ₀	L	A ₂	B	S	N																
				C _r	C _{0r}	mm	mm	mm	mm	mm	mm	mm	mm	mm	mm			mm	mm												
mm	in.			kN	kN	mm	mm	mm	mm	mm	mm	mm	mm	mm	mm	mm	mm	kg	lbs												
	1 ½	SUCBFL208-24/F	SUC208-24/F	24.8	14.3	172.2	143.8	14.2	31.5	49.7	115.8	19.5	49.2	19	13.5	M12	1.0														
	1 ⅞	SUCBFL208-25/F	SUC208-25/F															5575	3215	6.781	5.656	0.563	1.240	1.957	4.560	0.768	1.937	0.748	0.531	½	2.1
40		SUCBFL208/F	SUC208/F																												
	1 ⅝	SUCBFL209-26/F	SUC209-26/F	27.8	16.2	177	148.3	16	31.5	49.6	120.4	19.4	49.2	19	13.5	M12	1.0														
	1 ⅞	SUCBFL209-27/F	SUC209-27/F															6250	3642	6.969	5.844	0.625	1.240	1.953	4.740	0.764	1.937	0.748	0.531	½	2.3
45		SUCBFL209/F	SUC209/F																												
	1 ⅞	SUCBFL210-30/F	SUC210-30/F	29.8	18.6	185.7	157.2	16	31.5	52.2	128.5	19.6	51.6	19	13.5	M12	1.2														
	1 ⅞	SUCBFL210-31/F	SUC210-31/F															6699	4181	7.313	6.188	0.625	1.240	2.055	5.060	0.772	2.031	0.748	0.531	½	2.6
50		SUCBFL210/F	SUC210/F																												
	2	SUCBFL210-32/F	SUC210-32/F																												

POLYMER THREE-BOLT FLANGED MOUNTED BEARINGS



These units can be ordered with IP69K rated seal and/or QuiKlean housing type. No lubrication hole and no grease fitting with IP69K.

IP69K rated seal part number for Polymer Three-Bolt Flanged Mounted Bearings:
SUCBFB205-16-IP69K/F



Shaft Dia. d		Three-Bolt Flange Designation	Bearing Designation	Basic Load Ratings		Dimensions											Bolt Size	Wt.																						
				Dynamic C_r	Static C_{0r}	H	H ₁	J ₁	J	L	A	A ₂	A ₀	A ₁	B	S			N																					
mm	in.			kN lbs	kN lbs	mm in.	mm in.	mm in.	mm in.	mm in.	mm in.	mm in.	mm in.	mm in.	mm in.	mm in.	mm in.	mm in.	mm in.	mm in.	mm in.	mm in.	mm in.	mm in.	kg lbs															
20	3/4	SUCBFB204-12/F	SUC204-12/F	10.9	5.4	110.2	42.7	22.4	38.1	65	24.1	15.1	33.4	11.1	31	12.7	10.3	M10	0.3																					
		SUCBFB204/F	SUC204/F	2450	1203	4.340	1.680	0.875	1.500	2.560	0.950	0.594	1.315	0.438	1.220	0.500	0.406	3/8	0.6																					
25	7/8	SUCBFB205-14/F	SUC205-14/F	11.9	6.3	120.7	46	28.4	41.4	69.9	25.1	16.1	35.9	12.7	34.1	14.3	10.3	M10	0.4																					
	1 1/16	SUCBFB205-15/F	SUC205-15/F																	2675	1416	4.750	1.813	1.120	1.625	2.750	0.990	0.634	1.413	0.500	1.343	0.563	0.406	3/8	0.8					
		SUCBFB205/F	SUC205/F																																					
30	1	SUCBFB205-16/F	SUC205-16/F	16.5	9.1	138.2	52.3	31.8	47.8	82.6	27.1	16.7	38.9	12.7	38.1	15.9	10.3	M10	0.5																					
	1 1/8	SUCBFB206-18/F	SUC206-18/F																	3709	2035	5.435	2.060	1.253	1.875	3.250	1.067	0.657	1.531	0.500	1.500	0.626	0.406	3/8	1.2					
		SUCBFB206/F	SUC206/F																																					
35	1 1/4	SUCBFB207-20/F	SUC207-20/F	21.8	12.3	157.2	60.5	31.8	50.8	96.8	31.1	20.1	45.5	14.3	42.9	17.5	13.5	M12	0.8																					
	1 3/8	SUCBFB207-21/F	SUC207-21/F																	4901	2765	6.188	2.375	1.250	2.000	3.810	1.223	0.791	1.791	0.563	1.689	0.689	0.531	1/2	1.7					
		SUCBFB207-22/F	SUC207-22/F																																					
	1 3/4	SUCBFB207-23/F	SUC207-23/F																																					
		SUCBFB207/F	SUC207/F																																					

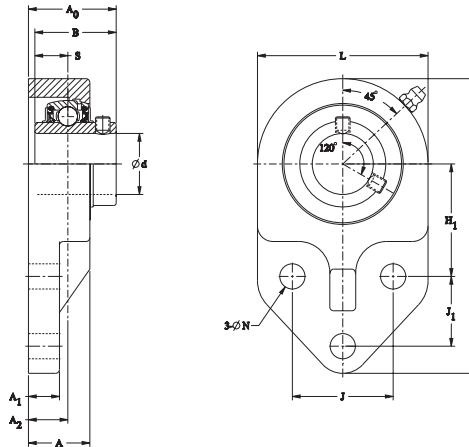
HYGIENIC BLUE POLYMER (THERMOSET) HOUSING WITH STAINLESS STEEL BALL BEARING INSERTS

POLYMER THREE-BOLT FLANGED MOUNTED BEARINGS



These units can be ordered with IP69K rated seal. No lubrication hole and no grease fitting with IP69K.

IP69K rated seal part number for Polymer Three-Bolt Flanged Mounted Bearings: SUCBFB205-16-IP69K/F



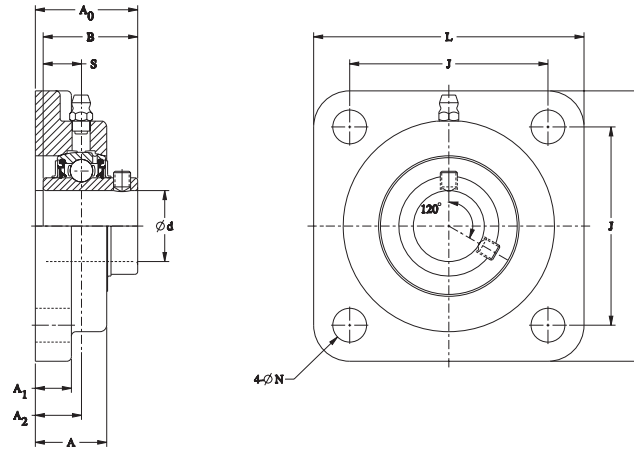
Shaft Dia. d		Three-Bolt Flange Designation	Bearing Designation	Basic Load Ratings		Dimensions												Bolt Size	Wt.																
				Dynamic	Static	H	H ₁	J ₁	J	L	A	A ₂	A ₀	A ₁	B	S	N																		
				C _r	C _{0r}	mm	mm	mm	mm	mm	mm	mm	mm	mm	mm	mm	mm			mm	mm														
40	1 ½	SUCBFB208-24/F	SUC208-24/F	24.8	14.3	170.7	65	35.1	57.2	108	31.5	19.5	49.7	14.3	49.2	19	13.5	M12	1.0																
	1 ⅞	SUCBFB208-25/F	SUC208-25/F																	5575	3215	6.719	2.563	1.375	2.250	4.250	1.240	0.768	1.957	0.563	1.937	0.748	0.531	½	2.1
		SUCBFB208/F	SUC208/F																																
45	1 ⅝	SUCBFB209-26/F	SUC209-26/F	27.8	16.2	182.6	69.9	38.1	63.5	115.8	31.5	19.4	49.6	15.9	49.2	19	13.5	M12	1.1																
	1 ⅞	SUCBFB209-27/F	SUC209-27/F																	6250	3642	7.192	2.750	1.500	2.500	4.560	1.240	0.764	1.953	0.625	1.937	0.748	0.531	½	2.4
	1 ¾	SUCBFB209-28/F	SUC209-28/F																																
50	1 ⅞	SUCBFB210-30/F	SUC210-30/F	29.8	18.6	193.8	74.7	41.4	69.9	124	31.5	19.6	52.2	15.9	51.6	19	13.5	M12	1.2																
	1 ¾	SUCBFB210-31/F	SUC210-31/F																	6699	4181	7.626	2.938	1.625	2.750	4.880	1.240	0.772	2.055	0.625	2.031	0.748	0.531	½	2.7
	2	SUCBFB210-32/F	SUC210-32/F																																

POLYMER FOUR-BOLT FLANGED MOUNTED BEARINGS



These units can be ordered with IP69K rated seal and/or QuiKlean housing type. No lubrication hole and no grease fitting with IP69K.

P69K rated seal part number for Polymer Four-Bolt Flanged Mounted Bearings:
SUCBF205-16-IP69K/F



Shaft Dia. d		Four-Bolt Flange Designation	Bearing Designation	Basic Load Ratings		Dimensions									Bolt Size	Wt.	
				Dynamic C _r	Static C _{0r}	L	J	A	A ₁	A ₂	A ₀	B	S	N			
mm	in.			kN lbs	kN lbs	mm in.	mm in.	mm in.	mm in.	mm in.	mm in.	mm in.	mm in.	mm in.	mm in.	mm in.	kg lbs
20	3/4	SUCBF204-12/F	SUC204-12/F	10.9	5.4	85.9	63.5	24.1	11.2	15.1	33.4	31	12.7	10.3	M10	0.3	
		SUCBF204/F	SUC204/F	2450	1203	3.375	2.500	0.950	0.438	0.594	1.315	1.220	0.500	0.406	3/8	0.7	
25	7/8	SUCBF205-14/F	SUC205-14/F	11.9	6.3	95.3	69.9	25.1	12.7	16.1	35.9	34.1	14.3	11.9	M10	0.4	
	15/16	SUCBF205-15/F	SUC205-15/F														
		SUCBF205/F	SUC205/F														2675
30	1	SUCBF205-16/F	SUC205-16/F	16.5	9.1	108	82.6	27.2	12.7	16.7	38.9	38.1	15.9	10.7	M10	0.6	
	1 1/8	SUCBF206-18/F	SUC206-18/F														
		SUCBF206/F	SUC206/F														3709
35	1 1/4	SUCBF206-20/F	SUC206-20/F	21.8	12.3	120.7	92.2	31	14.2	20.1	45.5	42.9	17.5	13.5	M12	0.8	
	1 1/4	SUCBF207-20/F	SUC207-20/F														
	1 5/8	SUCBF207-21/F	SUC207-21/F														
	1 3/8	SUCBF207-22/F	SUC207-22/F														
		SUCBF207/F	SUC207/F														4901
	1 7/8	SUCBF207-23/F	SUC207-23/F														

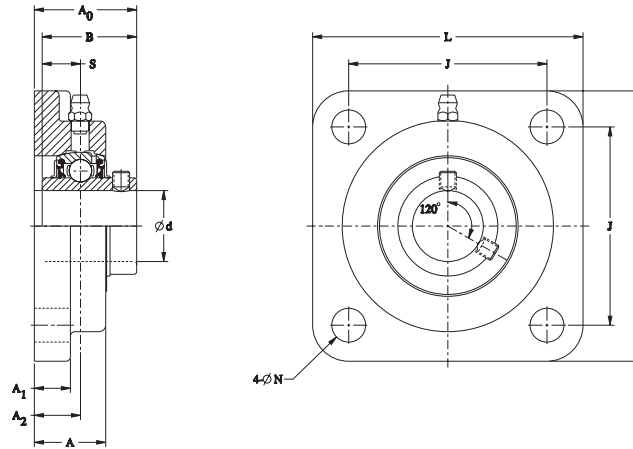
HYGIENIC BLUE POLYMER (THERMOSET) HOUSING WITH STAINLESS STEEL BALL BEARING INSERTS

POLYMER FOUR-BOLT FLANGED MOUNTED BEARINGS



These units can be ordered with IP69K rated seal. No lubrication hole and no grease fitting with IP69K.

IP69K rated seal part number for Polymer Four-Bolt Flanged Mounted Bearings:
SUCBF205-16-IP69K/F



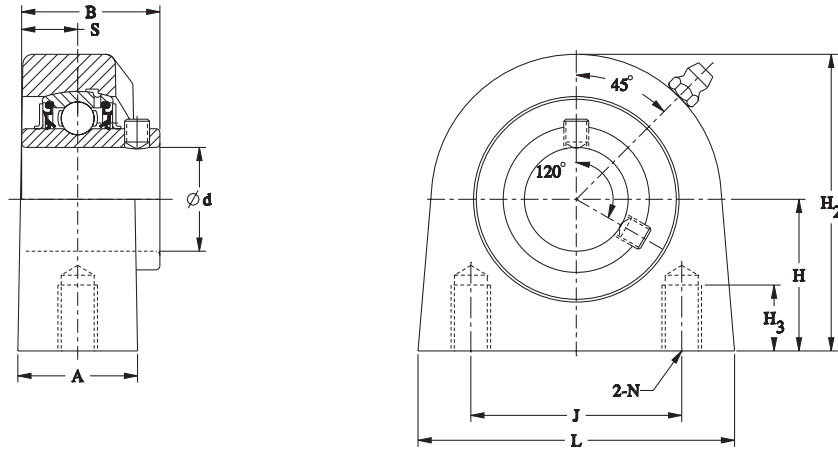
Shaft Dia. d		Four-Bolt Flange Designation	Bearing Designation	Basic Load Ratings		Dimensions								Bolt Size	Wt.	
				Dynamic	Static	L	J	A	A ₁	A ₂	A ₀	B	S			N
				C _r	C _{0r}	mm	mm	mm	mm	mm	mm	mm	mm			mm
mm	in.			kN lbs	kN lbs	mm in.	mm in.	mm in.	mm in.	mm in.	mm in.	mm in.	mm in.	mm in.	mm in.	kg lbs
	1 ½	SUCBF208-24/F	SUC208-24/F	24.8 5575	14.3 3215	130.3 5.125	101.6 4.000	31.5 1.240	14.2 0.563	19.5 0.768	49.7 1.957	49.2 1.937	19 0.748	13.5 0.531	M12 ½	1.0 2.1
	1 ⅝	SUCBF208-25/F	SUC208-25/F													
40		SUCBF208/F	SUC208/F													
	1 ⅝	SUCBF209-26/F	SUC209-26/F	27.8 6250	16.2 3642	133.4 5.250	104.9 4.125	31.5 1.240	16 0.625	19.4 0.764	49.6 1.953	49.2 1.937	19 0.748	13.5 0.531	M12 ½	1.1 2.5
	1 ⅞	SUCBF209-27/F	SUC209-27/F													
	1 ¾	SUCBF209-28/F	SUC209-28/F													
45		SUCBF209/F	SUC209/F													
	1 ⅞	SUCBF210-30/F	SUC210-30/F	29.8 6699	18.6 4181	139.7 5.500	111.3 4.375	31.5 1.240	16 0.625	19.6 0.772	52.2 2.055	51.6 2.031	19 0.748	13.5 0.531	M12 ½	1.3 2.8
	1 ⅞	SUCBF210-31/F	SUC210-31/F													
50		SUCBF210/F	SUC210/F													
	2	SUCBF210-32/F	SUC210-32/F													

POLYMER TAPPED-BASE (IMPERIAL THREAD) MOUNTED BEARINGS



These units can be ordered with IP69K rated seal and/or QuiKlean housing type. No lubrication hole and no grease fitting with IP69K.

IP69K rated seal part number for Polymer Tapped-Base (Imperial Thread) Mounted Bearings: SUCBTBY205-16-IP69K/F



Shaft Dia. d		Tapped Base Designation	Bearing Designation	Basic Load Ratings		Dimensions									Wt.											
				Dynamic C _r	Static C _{0r}	H	L	A	J	N	H ₂	H ₃	S	N												
mm	in.		kN lbs	kN lbs	mm in.	mm in.	mm in.	mm in.	mm in.	mm in.	mm in.	mm in.	mm in.	mm in.												
20	3/4	SUCBTBY204-12/F	SUC204-12/F	10.9	5.4	33.3	75.2	28.7	50.8		65.5	17	31	12.7	0.3											
		SUCBTBY204/F	SUC204/F	2450	1203	1.310	2.960	1.130	2.000	3/8-16	2.580	0.670	1.220	0.500	0.6											
25	7/8	SUCBTBY205-14/F	SUC205-14/F	11.9	6.3	36.6	76.2	29	50.8	3/8-16	71.4	17	34.1	14.3	0.4											
	15/16	SUCBTBY205-15/F	SUC205-15/F													2675	1416	1.440	3.000	1.140	2.000	2.810	0.670	1.343	0.563	
		SUCBTBY205-16/F	SUC205-16/F																							
30	1	SUCBTBY206-18/F	SUC206-18/F	16.5	9.1	42.9	108	41.4	76.2	7/8-14	85.9	24.8	38.1	15.9	0.5											
	1 1/8	SUCBTBY206-19/F	SUC206-19/F													3709	2035	1.690	4.250	1.630	3.000	3.380	0.976	1.500	0.626	
	1 1/4	SUCBTBY206-20/F	SUC206-20/F																							
35	1 1/4	SUCBTBY207-20/F	SUC207-20/F	21.8	12.3	47.8	114.3	44.5	82.6	1/2-13	98.6	20.4	42.9	17.5	0.8											
	1 5/8	SUCBTBY207-21/F	SUC207-21/F													4901	2765	1.880	4.500	1.750	3.250	3.880	0.803	1.689	0.689	
	1 3/8	SUCBTBY207-22/F	SUC207-22/F																							
	1 7/8	SUCBTBY207-23/F	SUC207-23/F																							

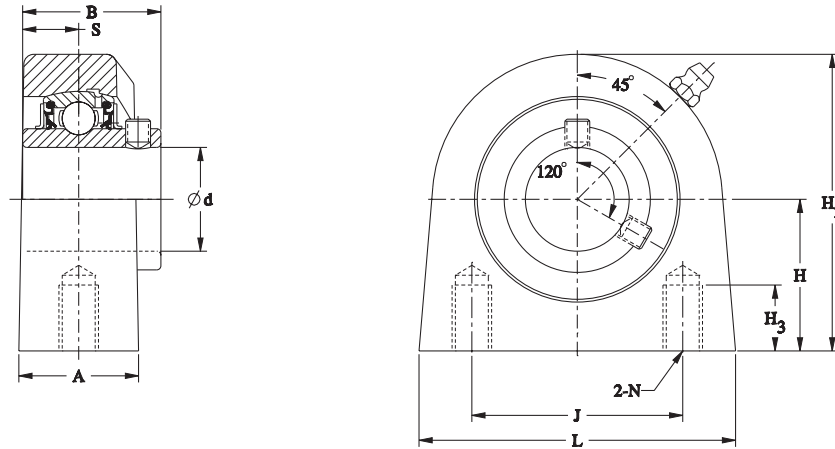
HYGIENIC BLUE POLYMER (THERMOSET) HOUSING WITH STAINLESS STEEL BALL BEARING INSERTS

POLYMER TAPPED-BASE (IMPERIAL THREAD) MOUNTED BEARINGS



These units can be ordered with IP69K rated seal. No lubrication hole and no grease fitting with IP69K.

IP69K rated seal part number for Polymer Tapped-Base (Imperial Thread) Mounted Bearings: SUCBTBY205-16-IP69K/F



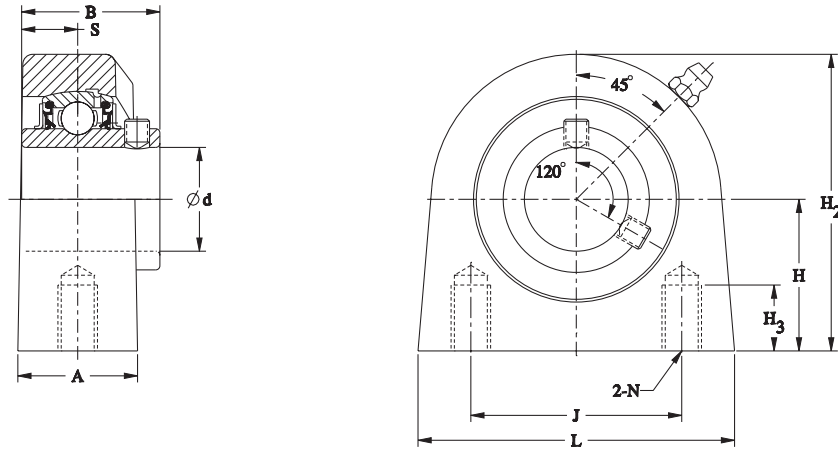
Shaft Dia. d		Tapped Base Designation	Bearing Designation	Basic Load Ratings		Dimensions								Wt.	
				Dynamic C _r	Static C _{0r}	H	L	A	J	N	H ₂	H ₃	S		N
mm	in.		kN lbs	kN lbs	mm in.	mm in.	mm in.	mm in.	mm in.	mm in.	mm in.	mm in.	mm in.	kg lbs	
40	1 ½	SUCBTBY208-24/F	SUC208-24/F	24.8 5575	14.3 3215	49.3 1.940	120.7 4.750	47.8 1.880	88.9 3.500	½-13	104.8 4.130	20.4 0.803	49.2 1.937	19 0.748	1.0 2.2
	1 ⅝	SUCBTBY208-25/F	SUC208-25/F												
		SUCBTBY208/F	SUC208/F												
45	1 ⅝	SUCBTBY209-26/F	SUC209-26/F	27.8 6250	16.2 3642	54 2.130	133.4 5.250	50 1.970	95.3 3.750	½-13	111.3 4.380	20.4 0.803	49.2 1.937	19 0.748	1.1 2.5
	1 ⅞	SUCBTBY209-27/F	SUC209-27/F												
	1 ¾	SUCBTBY209-28/F	SUC209-28/F												
		SUCBTBY209/F	SUC209/F												
50	1 ⅞	SUCBTBY210-30/F	SUC210-30/F	29.8 6699	18.6 4181	57.2 2.250	146.1 5.750	54 2.130	101.6 4.000	¾-11	120.7 4.750	29 1.140	51.6 2.031	19 0.748	1.4 3.0
	1 ⅞	SUCBTBY210-31/F	SUC210-31/F												
	2	SUCBTBY210-32/F	SUC210-32/F												

POLYMER TAPPED-BASE (METRIC THREAD) MOUNTED BEARINGS



These units can be ordered with IP69K rated seal and/or QuiKlean housing type. No lubrication hole and no grease fitting with IP69K.

IP69K rated seal part number for Polymer Tapped-Base (Metric Thread) Mounted Bearings: SUCBTBYM205-16-IP69K/F



Shaft Dia. d		Tapped Base Designation	Bearing Designation	Basic Load Ratings		Dimensions									Wt.												
				Dynamic C _r	Static C _{0r}	H	L	A	J	N	H ₂	H ₃	B	S													
mm	in.				mm in.	mm in.	mm in.	mm in.	mm in.	mm in.	mm in.	mm in.	mm in.	mm in.	kg lbs												
20	¾	SUCBTBYM204-12/F	SUC204-12/F	10.9	5.4	33.3	75.2	28.7	50.8	M8	65.5	15.2	31	12.7	0.3												
		SUCBTBYM204/F	SUC204/F	2450	1203	1.310	2.960	1.130	2.000		2.580	0.600	1.220	0.500	0.6												
25	⅞	SUCBTBYM205-14/F	SUC205-14/F	11.9	6.3	36.6	76.2	29	50.8	M10	71.4	15.2	34.1	14.3	0.4												
	1⅙	SUCBTBYM205-15/F	SUC205-15/F													2675	1416	1.440	3.000	1.140	2.000	2.810	0.600	1.343	0.563	0.8	
		SUCBTBYM205-16/F	SUC205-16/F																								
30	1 ⅛	SUCBTBYM206-18/F	SUC206-18/F	16.5	9.1	42.9	108	41.4	76.2	M10	85.9	22.9	38.1	15.9	0.5												
		SUCBTBYM206-19/F	SUC206-19/F													3709	2035	1.690	4.250	1.630	3.000	3.380	0.900	1.500	0.626	1.2	
	1 ¼	SUCBTBYM206-20/F	SUC206-20/F																								
35	1 ¼	SUCBTBYM207-20/F	SUC207-20/F	21.8	12.3	47.8	114.3	44.5	82.6	M10	98.6	18.5	42.9	17.5	0.8												
	1 ⅝	SUCBTBYM207-21/F	SUC207-21/F													4901	2765	1.880	4.500	1.750	3.250	3.880	0.730	1.689	0.689	1.8	
	1 ¾	SUCBTBYM207-22/F	SUC207-22/F																								
		SUCBTBYM207-23/F	SUC207-23/F																								

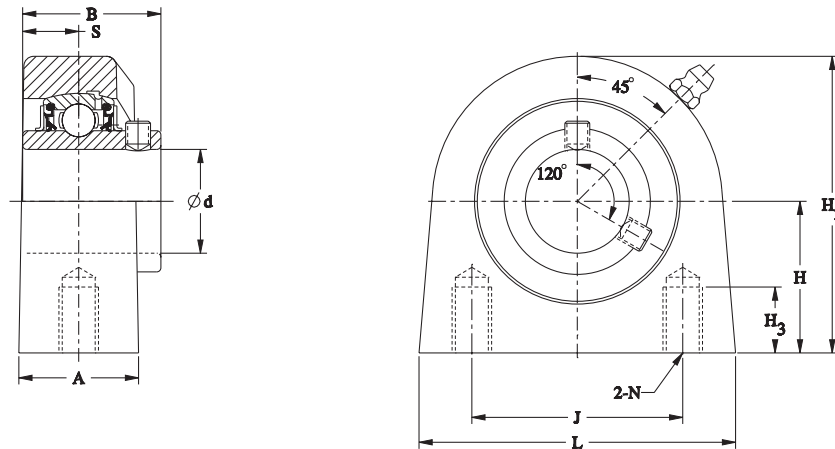
HYGIENIC BLUE POLYMER (THERMOSET) HOUSING WITH STAINLESS STEEL BALL BEARING INSERTS

POLYMER TAPPED-BASE (METRIC THREAD) MOUNTED BEARINGS



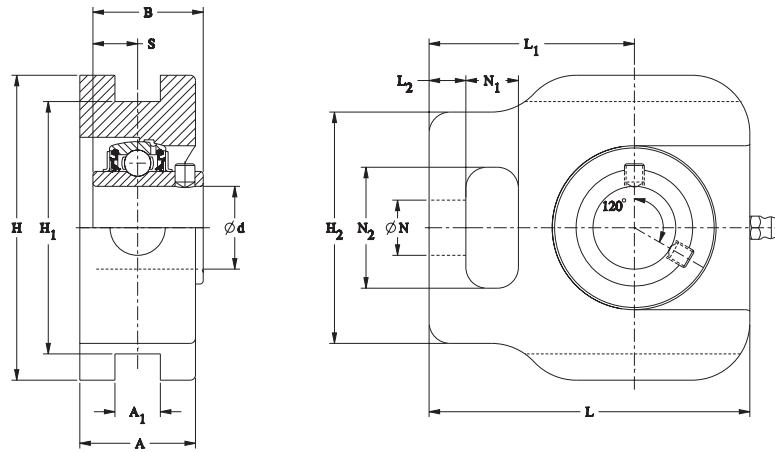
These units can be ordered with IP69K rated seal. No lubrication hole and no grease fitting with IP69K.

IP69K rated seal part number for Polymer Tapped-Base (Metric Thread) Mounted Bearings: SUCBTBYM205-16-IP69K/F

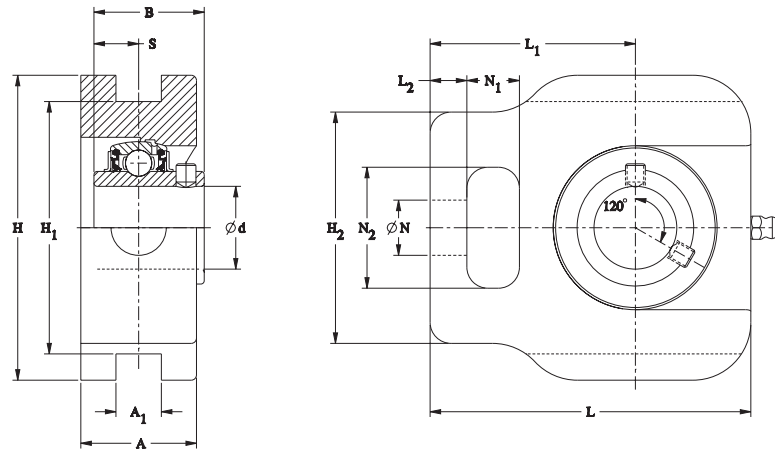


Shaft Dia. d		Tapped Base Designation	Bearing Designation	Basic Load Ratings		Dimensions								Wt.												
				Dynamic	Static	H	L	A	J	N	H ₂	H ₃	B		S											
				C _r	C _{0r}	mm	mm	mm	mm	mm	mm	mm	mm		mm	mm										
mm	in.		kN	kN	mm	mm	mm	mm	mm	mm	mm	mm	mm	kg												
	1 ½	SUCBTBYM208-24/F	SUC208-24/F	24.8	14.3	49.3	120.7	47.8	88.9	M12	104.8	18.5	49.2	19	1.0											
	1 ⅝	SUCBTBYM208-25/F	SUC208-25/F													5575	3215	1.940	4.750	1.880	3.500	4.130	0.730	1.937	0.748	2.2
40		SUCBTBYM208/F	SUC208/F																							
	1 ⅝	SUCBTBYM209-26/F	SUC209-26/F	27.8	16.2	54	133.4	50	95.3	M12	111.3	18.5	49.2	19	1.1											
	1 ⅞	SUCBTBYM209-27/F	SUC209-27/F													6250	3642	2.130	5.250	1.970	3.750	4.380	0.730	1.937	0.748	2.5
45		SUCBTBYM209/F	SUC209/F																							
	1 ⅞	SUCBTBYM210-30/F	SUC210-30/F	29.8	18.6	57.2	146.1	54	101.6	M16	120.7	29	51.6	19	1.4											
	1 ⅞	SUCBTBYM210-31/F	SUC210-31/F													6699	4181	2.250	5.750	2.130	4.000	4.750	1.140	2.031	0.748	3.0
50		SUCBTBYM210/F	SUC210/F																							
	2	SUCBTBYM210-32/F	SUC210-32/F																							

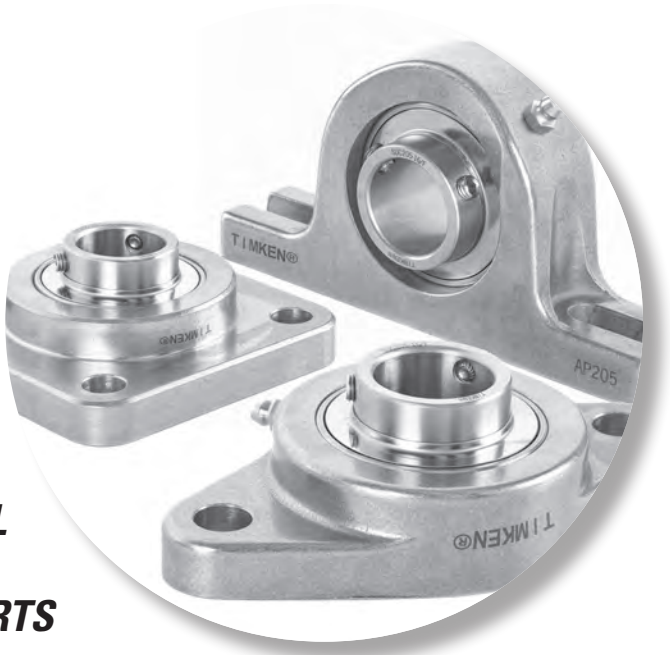
POLYMER TAKE-UP MOUNTED BEARINGS



Shaft Dia. d		Take-Up Unit Designation	Bearing Designation	Basic Load Ratings		Dimensions													Wt.			
				Dynamic C _r	Static C _{0r}	H	H ₁	L ₂	L ₁	A	N	L	H ₂	B	S	N ₁	N ₂	A ₁				
mm	in.				mm	mm	mm	mm	mm	mm	mm	mm	mm	mm	mm	mm	mm	mm	mm	kg	lbs	
20	¾	SUCBT204-12/F	SUC204-12/F	10.9	5.4	92.2	76.2	11.2	60.5	35.1	16.7	93.7	69.9	31	12.7	15.9	36.5	13.7	0.4			
		SUCBT204/F	SUC204/F	2450	1203	3.625	3.000	0.438	2.375	1.380	0.656	3.688	2.750	1.220	0.500	0.625	1.438	0.540	0.9			
25	7/8	SUCBT205-14/F	SUC205-14/F	11.9	6.3	92.2	76.2	11.2	62	35.1	16.7	96.8	69.9	34.1	14.3	15.9	36.5	13.7	0.5			
	15/16	SUCBT205-15/F	SUC205-15/F																	2675	1416	3.625
		SUCBT205/F	SUC205/F																			
30	1	SUCBT205-16/F	SUC205-16/F	16.5	9.1	104.9	88.9	11.2	69.9	41.3	19.8	111.3	82.6	38.1	15.9	19.8	41.3	13.7	0.7			
	1 1/8	SUCBT206-18/F	SUC206-18/F																	3709	2035	4.125
		SUCBT206/F	SUC206/F																			
35	1 1/4	SUCBT206-19/F	SUC206-19/F	21.8	12.3	104.9	88.9	11.2	76.2	41.3	19.8	122.2	82.6	42.9	17.5	19.8	41.4	13.7	0.9			
	1 1/2	SUCBT206-20/F	SUC206-20/F																	4901	2765	4.125
		SUCBT207/F	SUC207/F																			
	1 3/8	SUCBT207-21/F	SUC207-21/F	21.8	12.3	104.9	88.9	11.2	76.2	41.3	19.8	122.2	82.6	42.9	17.5	19.8	41.4	13.7	0.9			
	1 7/8	SUCBT207-22/F	SUC207-22/F																	4901	2765	4.125
	SUCBT207/F	SUC207/F																				
	1 7/8	SUCBT207-23/F	SUC207-23/F																			



Shaft Dia. d	Take-Up Unit Designation	Bearing Designation	Basic Load Ratings		Dimensions													Wt.	
			Dynamic	Static	H	H ₁	L ₂	L ₁	A	N	L	H ₂	B	S	N ₁	N ₂	A ₁		
			C _r	C _{0r}	mm	mm	mm	mm	mm	mm	mm	mm	mm	mm	mm	mm	mm		mm
mm	in.		kN	kN	mm	mm	mm	mm	mm	mm	mm	mm	mm	mm	mm	mm	mm	mm	kg
			lbs	lbs	in.	in.	in.	in.	in.	in.	in.	in.	in.	in.	in.	in.	in.	in.	lbs
	1 1/2	SUCBT208-24/F	SUC208-24/F	24.8	14.3	114.3	101.6	14.2	87.4	47.8	27	139.7	95.3	49.2	19	23.8	49.2	17.7	1.2
	1 5/8	SUCBT208-25/F	SUC208-25/F	5575	3215	4.500	4.000	0.563	3.438	1.875	1.060	5.500	3.750	1.937	0.748	0.938	1.938	0.696	2.6
40		SUCBT208/F	SUC208/F																
	1 5/8	SUCBT209-26/F	SUC209-26/F	27.8	16.2	117.6	101.6	14.2	88.9	47.8	27	144.5	95.3	49.2	19	23.8	49.2	17.7	1.3
	1 11/16	SUCBT209-27/F	SUC209-27/F	6250	3642	4.625	4.000	0.560	3.500	1.875	1.063	5.688	3.750	1.937	0.748	0.938	1.938	0.696	2.9
	1 3/4	SUCBT209-28/F	SUC209-28/F																
45		SUCBT209/F	SUC209/F																
	1 7/8	SUCBT210-30/F	SUC210-30/F	29.8	18.6	120.7	101.6	14.2	90.4	47.8	27	147.6	95.3	51.6	19	23.8	49.2	17.7	1.4
	1 15/16	SUCBT210-31/F	SUC210-31/F	6699	4181	4.750	4.000	0.563	3.563	1.875	1.063	5.813	3.750	2.031	0.748	0.938	1.938	0.696	3.0
	2	SUCBT210-32/F	SUC210-32/F																



***HYGIENIC STAINLESS STEEL
HOUSING WITH STAINLESS
STEEL BALL BEARING INSERTS***

The following topics are covered within this section:

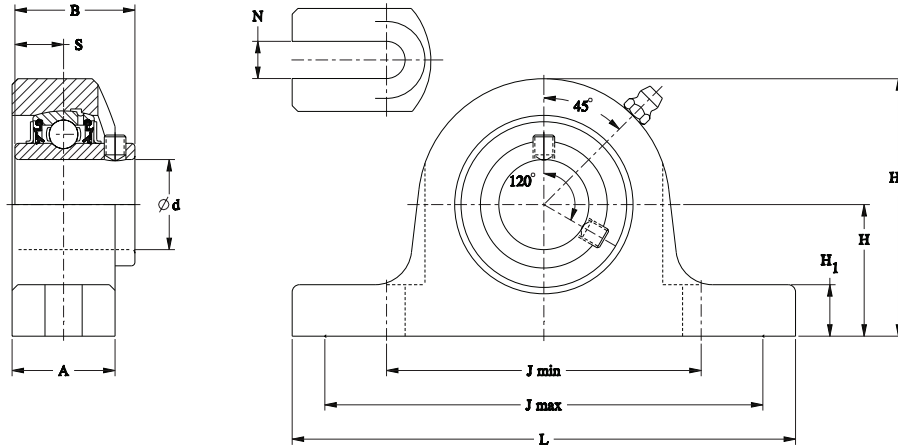
Stainless Steel Two-Bolt Pillow Block Mounted Bearings 62
Stainless Steel Two-Bolt Flanged Mounted Bearings 64
Stainless Steel Three-Bolt Flanged Mounted Bearings 66
Stainless Steel Four-Bolt Flanged Mounted Bearings 68
Stainless Steel Tapped-Base (Imperial Thread) Mounted Bearings . . 70
Stainless Steel Tapped-Base (Metric Thread) Mounted Bearings . . 72
Stainless Steel Take-Up Mounted Bearings 74

STAINLESS STEEL TWO-BOLT PILLOW BLOCK MOUNTED BEARINGS



These units can be ordered with IP69K rated seal and/or QuiKlean housing type. No lubrication hole and no grease fitting with IP69K.

IP69K rated seal part number for Stainless Steel Two-Bolt Pillow Block Mounted Bearings: SUCAP205-16-IP69K/F



Shaft Dia. d		Pillow-Block Designation	Bearing Designation	Basic Load Ratings		Dimensions										Bolt Size	Wt.														
				Dynamic	Static	H	L	A	H ₁	J min	J max	H ₂	B	S	N																
				C _r	C _{0r}	mm in.	mm in.	mm in.	mm in.	mm in.	mm in.	mm in.	mm in.	mm in.	mm in.			mm in.													
20	¾	SUCAP204-12/F	SUC204-12/F	10.9	5.4	33.3	133.4	28.7	12.7	82.6	111.3	65	31	12.7	10.3	M10	0.7														
		SUCAP204/F	SUC204/F	2450	1203	1.313	5.250	1.130	0.500	3.250	4.375	2.560	1.220	0.500	0.406	⅜	1.6														
25	⅞	SUCAP205-14/F	SUC205-14/F	11.9	6.3	36.6	139.7	28.7	14.2	87.4	117.6	71.4	34.1	14.3	10.3	M10	0.8														
	1⅛	SUCAP205-15/F	SUC205-15/F															2675	1416	1.438	5.500	1.130	0.563	3.438	4.625	2.810	1.343	0.563	0.406		
		SUCAP205/F	SUC205/F																												
30	1	SUCAP205-16/F	SUC205-16/F	16.5	9.1	42.9	158.8	37.3	17.5	104.9	130.3	82.6	38.1	15.9	13.5	M12	1.5														
	1⅝	SUCAP206-18/F	SUC206-18/F															3709	2035	1.688	6.248	1.470	0.688	4.126	5.125	3.250	1.500	0.626	0.531		
	1⅞	SUCAP206-19/F	SUC206-19/F																												
		SUCAP206/F	SUC206/F																												
35	¾	SUCAP206-20/F	SUC206-20/F	21.8	12.3	47.8	166.6	37.3	17.5	119.1	138.2	95.3	42.9	17.5	13.5	M12	1.9														
	1	SUCAP207-20/F	SUC207-20/F															4901	2765	1.875	6.564	1.470	0.688	4.688	5.438	3.750	1.689	0.689	0.531		
	1⅛	SUCAP207-21/F	SUC207-21/F																												
	1⅜	SUCAP207-22/F	SUC207-22/F																												
		SUCAP207/F	SUC207/F																												
	1⅞	SUCAP207-23/F	SUC207-23/F																												

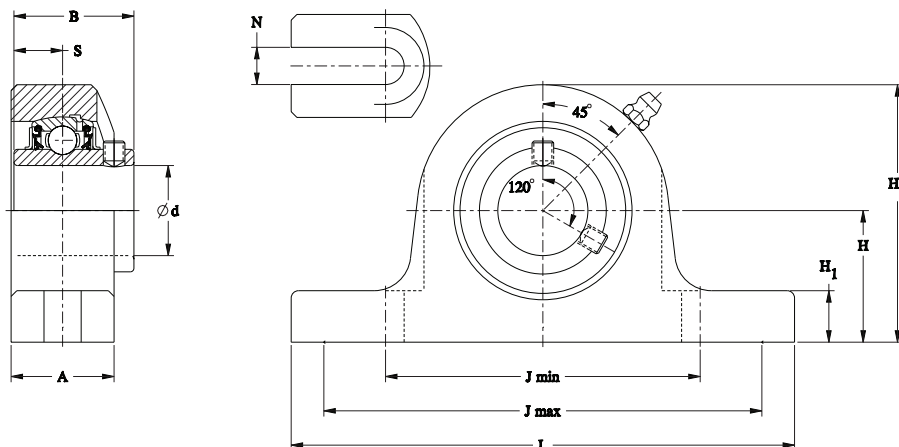
HYGIENIC STAINLESS STEEL HOUSING WITH STAINLESS STEEL BALL BEARING INSERTS

STAINLESS STEEL TWO-BOLT PILLOW BLOCK MOUNTED BEARINGS



These units can be ordered with IP69K rated seal. No lubrication hole and no grease fitting with IP69K.

IP69K rated seal part number for Stainless Steel Two-Bolt Pillow Block Mounted Bearings: SUCAP205-16-IP69K/F



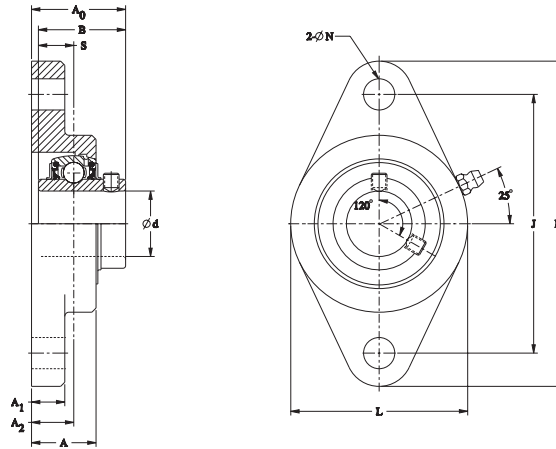
Shaft Dia. d		Pillow-Block Designation	Bearing Designation	Basic Load Ratings		Dimensions										Bolt Size	Wt.
				Dynamic C _r	Static C _{0r}	H	L	A	H ₁	J min	J max	H ₂	B	S	N		
mm	in.				mm in.	mm in.	mm in.	mm in.	mm in.	mm in.	mm in.	mm in.	mm in.	mm in.	mm in.	mm in.	
40	1 ½	SUCAP208-24/F	SUC208-24/F	24.8 5575	14.3 3215	54.1 2.125	184.2 7.252	41.4 1.630	19.1 0.752	127 5.000	155.7 6.126	106.4 4.190	49.2 1.937	19 0.748	13.5 0.531	M12 ½	2.6 5.7
	1 ⅞	SUCAP208-25/F	SUC208-25/F														
		SUCAP208/F	SUC208/F														
45	1 ⅝	SUCAP209-26/F	SUC209-26/F	27.8 6250	16.2 3642	54.1 2.130	189 7.438	43.7 1.720	17.5 0.688	134.9 5.313	160.3 6.311	108 4.250	49.2 1.937	19 0.748	13.5 0.531	M12 ½	2.9 6.5
	1 ⅞	SUCAP209-27/F	SUC209-27/F														
	1 ¾	SUCAP209-28/F	SUC209-28/F														
		SUCAP209/F	SUC209/F														
50	1 ⅞	SUCAP210-30/F	SUC210-30/F	29.8 6699	18.6 4181	57.2 2.252	206.5 8.125	50 1.970	19.1 0.752	149.4 5.875	171.5 6.752	114.3 4.500	51.6 2.031	19 0.748	16.7 0.656	M16 ⅝	3.6 8.0
	1 ¾	SUCAP210-31/F	SUC210-31/F														
	2	SUCAP210-32/F	SUC210-32/F														

STAINLESS STEEL TWO-BOLT FLANGED MOUNTED BEARINGS



These units can be ordered with IP69K rated seal and/or QuiKlean housing type. No lubrication hole and no grease fitting with IP69K.

IP69K rated seal part number for Stainless Steel Two-Bolt Flanged Mounted Bearings:
SUCAFL205-16-IP69K/F



Shaft Dia. d		Two-Bolt Flange Designation	Bearing Designation	Basic Load Ratings		Dimensions										Bolt Size	Wt.															
				Dynamic	Static	H	J	A ₁	A	A ₀	L	A ₂	B	S	N																	
				C _r	C _{0r}																											
mm	in.					mm in.	mm in.	mm in.	mm in.	mm in.	mm in.	mm in.	mm in.	mm in.	mm in.	mm in.	mm in.															
20	3/4	SUCAFL204-12/F	SUC204-12/F	10.9	5.4	112	89.7	11.2	24.1	33.4	61.5	15.1	31	12.7	10.3	M10	0.5															
		SUCAFL204/F	SUC204/F	2450	1203	4.407	3.532	0.438	0.950	1.315	2.421	0.594	1.220	0.500	0.406	3/8	1.1															
25	7/8	SUCAFL205-14/F	SUC205-14/F	11.9	6.3	124.2	98.8	12.7	24.6	35.9	67.6	16.1	34.1	14.3	11.9	M10	0.7															
	15/16	SUCAFL205-15/F	SUC205-15/F															2675	1416	4.890	3.890	0.500	0.970	1.413	2.661	0.634	1.343	0.563	0.469	3/8	1.5	
		SUCAFL205-16/F	SUC205-16/F																													
	1	SUCAFL205-18/F	SUC205-18/F																													
30	1 1/8	SUCAFL206-18/F	SUC206-18/F	16.5	9.1	142	116.8	12.7	27.2	38.9	79.2	16.7	38.1	15.9	11.9	M10	1.0															
		SUCAFL206-19/F	SUC206-19/F															3709	2035	5.594	4.600	0.500	1.067	1.531	3.118	0.657	1.500	0.626	0.469	7/8	2.3	
	1 3/8	SUCAFL206-20/F	SUC206-20/F																													
	1 1/4	SUCAFL207-20/F	SUC207-20/F																													
35	1 1/2	SUCAFL207-21/F	SUC207-21/F	21.8	12.3	158.8	130.1	14.2	31	45.5	91.9	20.1	42.9	17.5	13.5	M12	1.5															
		SUCAFL207-22/F	SUC207-22/F															4901	2765	6.250	5.124	0.563	1.223	1.791	3.618	0.791	1.689	0.689	0.531	7/8	3.2	
	1 3/4	SUCAFL207-23/F	SUC207-23/F																													
	1 1/2	SUCAFL207-23/F	SUC207-23/F																													

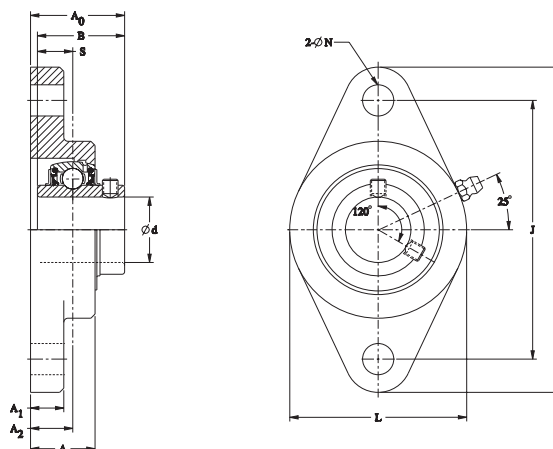
HYGIENIC STAINLESS STEEL HOUSING WITH STAINLESS STEEL BALL BEARING INSERTS

STAINLESS STEEL TWO-BOLT FLANGED MOUNTED BEARINGS



These units can be ordered with IP69K rated seal. No lubrication hole and no grease fitting with IP69K.

IP69K rated seal part number for Stainless Steel Two-Bolt Flanged Mounted Bearings:
SUCAFL205-16-IP69K/F



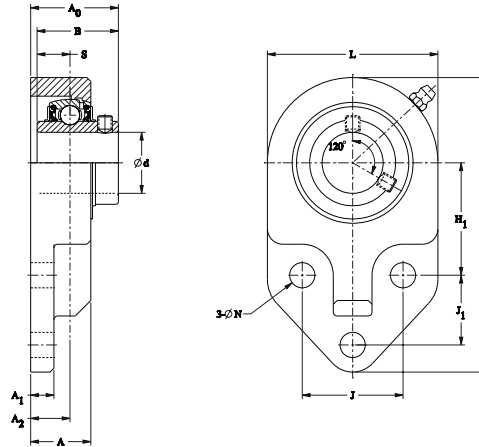
Shaft Dia. d		Two-Bolt Flange Designation	Bearing Designation	Basic Load Ratings		Dimensions										Bolt Size	Wt.	
				Dynamic	Static	H	J	A ₁	A	A ₀	L	A ₂	B	S	N			
				C _r	C _{0r}	mm in.	mm in.	mm in.	mm in.	mm in.	mm in.	mm in.	mm in.	mm in.	mm in.			mm in.
40	1 ½	SUCAFL208-24/F	SUC208-24/F	24.8	14.3	172.2	143.8	14.2	31.5	49.7	101.6	19.5	49.2	19	13.5	M12	1.8	
	1 ⅝	SUCAFL208-25/F	SUC208-25/F															5575
			SUCAFL208/F	SUC208/F														
45	1 ⅝	SUCAFL209-26/F	SUC209-26/F	27.8	16.2	172.2	148.3	16	31.5	49.6	108	19.4	49.2	19	13.5	M12	2.1	
	1 ⅞	SUCAFL209-27/F	SUC209-27/F															6250
			SUCAFL209/F	SUC209/F														
50	1 ¾	SUCAFL210-30/F	SUC210-30/F	29.8	18.6	177	157.2	16.0	31.5	52.2	115.8	19.6	51.6	19	16.7	M12	2.3	
	1 ⅞	SUCAFL210-31/F	SUC210-31/F															6699
			SUCAFL210/F	SUC210/F														
	2	SUCAFL210-32/F	SUC210-32/F															

STAINLESS STEEL THREE-BOLT FLANGED MOUNTED BEARINGS



These units can be ordered with IP69K rated seal and/or QuiKlean housing type. No lubrication hole and no grease fitting with IP69K.

IP69K rated seal part number for Stainless Steel Three-Bolt Flanged Mounted Bearings: SUCAFB205-16-IP69K/F



Shaft Dia. d		Three-Bolt Flange Designation	Bearing Designation	Basic Load Ratings		Dimensions											Bolt Size	Wt.																				
				Dynamic	Static	H	H ₁	J ₁	J	L	A	A ₂	A ₀	A ₁	B	S			N																			
				C _r	C _{0r}	mm in.	mm in.	mm in.	mm in.	mm in.	mm in.	mm in.	mm in.	mm in.	mm in.	mm in.			mm in.	mm in.																		
20	3/4	SUCAFB204-12/F	SUC204-12/F	10.9	5.4	108	42.9	22.4	38.1	63.5	24.1	15.1	33.4	7.9	31	12.7	10.3	M10	0.7																			
		SUCAFB204/F	SUC204/F	2450	1203	4.250	1.688	0.875	1.500	2.500	0.950	0.594	1.315	0.310	1.220	0.500	0.406	3/8	1.5																			
	7/8	SUCAFB205-14/F	SUC205-14/F	11.9	6.3	120.7	46	28.7	41.4	69.9	24.6	16.1	35.9	9.7	34.1	14.3	10.3	M10	0.9																			
15/16	SUCAFB205-15/F	SUC205-15/F	2675																	1416	4.750	1.813	1.125	1.625	2.750	0.970	0.634	1.315	0.380	1.343	0.563	0.406	3/8	1.9				
1	SUCAFB205-16/F	SUC205-16/F	16.5																	9.1	136.7	52.3	31.8	47.8	79.2	27.2	16.7	38.9	9.7	38.1	15.9	10.3	M10	1.2				
1 1/8	SUCAFB206-18/F	SUC206-18/F		3709	2035	5.380	2.060	1.253	1.875	3.120	1.067	0.657	1.315	0.380	1.500	0.626	0.406	3/8	2.6																			
1 3/8	SUCAFB206-19/F	SUC206-19/F		21.8	12.3	152.4	60.5	31.8	50.8	92.2	31	20.1	45.5	12.7	42.9	17.5	13.5	M12	1.9																			
1 1/4	SUCAFB206-20/F	SUC206-20/F	4901																	2765	6.000	2.375	1.250	2.000	3.630	1.223	0.791	1.315	0.500	1.689	0.689	0.531	1/2	4.2				
1 1/4	SUCAFB207-20/F	SUC207-20/F	35																	17 1/8	SUCAFB207-21/F	SUC207-21/F	21.8	12.3	152.4	60.5	31.8	50.8	92.2	31	20.1	45.5	12.7	42.9	17.5	13.5	M12	1.9
1 3/8	SUCAFB207-22/F	SUC207-22/F		4901	2765	6.000	2.375	1.250	2.000	3.630	1.223	0.791	1.315	0.500	1.689	0.689	0.531	1/2	4.2																			
1 7/8	SUCAFB207-23/F	SUC207-23/F																																				

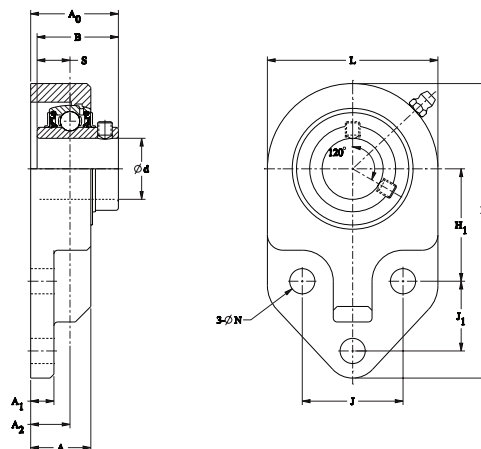
HYGIENIC STAINLESS STEEL HOUSING WITH STAINLESS STEEL BALL BEARING INSERTS

STAINLESS STEEL THREE-BOLT FLANGED MOUNTED BEARINGS



These units can be ordered with IP69K rated seal. No lubrication hole and no grease fitting with IP69K.

IP69K rated seal part number for Stainless Steel Three-Bolt Flanged Mounted Bearings: SUCAFB205-16-IP69K/F



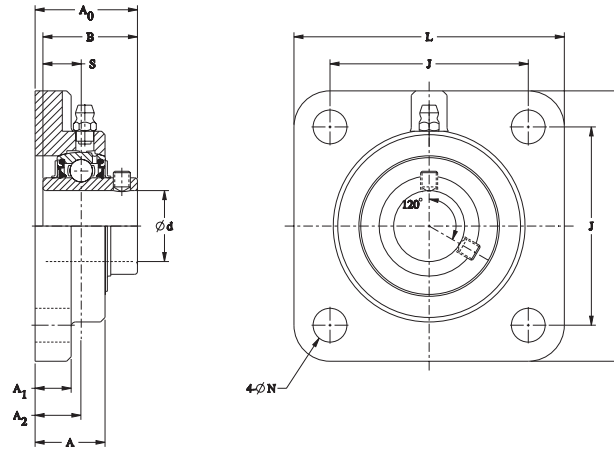
Shaft Dia. d		Three-Bolt Flange Designation	Bearing Designation	Basic Load Ratings		Dimensions												Bolt Size	Wt.
				Dynamic	Static	H	H ₁	J ₁	J	L	A	A ₂	A ₀	A ₁	B	S	N		
				C _r	C _{0r}	mm	mm	mm	mm	mm	mm	mm	mm	mm	mm	mm	mm		
mm	in.			kN lbs	kN lbs	mm in.	mm in.	mm in.	mm in.	mm in.	mm in.	mm in.	mm in.	mm in.	mm in.	mm in.	mm in.	mm in.	mm in.
	1 ½	SUCAFB208-24/F	SUC208-24/F	24.8	14.3	165.1	65	35.1	57.2	101.6	31.5	19.5	49.7	12.7	49.2	19	13.5	M12	2.1
	1 ⅝	SUCAFB208-25/F	SUC208-25/F	5575	3215	6.500	2.563	1.375	2.250	4.000	1.240	0.768	1.315	0.500	1.937	0.748	0.531	½	4.7
40		SUCAFB208/F	SUC208/F																
	1 ⅝	SUCAFB209-26/F	SUC209-26/F																
	1 ⅞	SUCAFB209-27/F	SUC209-27/F	27.8	16.2	176.3	69.9	38.1	63.5	108	31.5	19.4	49.6	12.7	49.2	19	13.5	M12	2.4
	1 ¾	SUCAFB209-28/F	SUC209-28/F	6250	3642	6.940	2.750	1.500	2.500	4.250	1.240	0.764	1.315	0.500	1.937	0.748	0.531	½	5.3
45		SUCAFB209/F	SUC209/F																
	1 ⅞	SUCAFB210-30/F	SUC210-30/F																
	1 ⅞	SUCAFB210-31/F	SUC210-31/F	29.8	18.6	188.2	74.7	41.4	69.9	115.8	31.5	19.6	52.2	12.7	51.6	19	13.5	M12	2.9
		SUCAFB210-32/F	SUC210-32/F	6699	4181	7.410	2.938	1.625	2.750	4.560	1.240	0.772	1.315	0.500	2.031	0.748	0.531	½	6.3
50		SUCAFB210/F	SUC210/F																
	2	SUCAFB210-32/F	SUC210-32/F																

STAINLESS STEEL FOUR-BOLT FLANGED MOUNTED BEARINGS



These units can be ordered with IP69K rated seal and/or QuiKlean housing type. No lubrication hole and no grease fitting with IP69K.

IP69K rated seal part number for Stainless Steel Four-Bolt Flanged Mounted Bearings:
SUCAF205-16-IP69K/F



Shaft Dia. d		Four-Bolt Flange Designation	Bearing Designation	Basic Load Ratings		Dimensions									Bolt Size	Wt.	
				Dynamic C _r	Static C _{0r}	L	J	A ₁	A ₂	A	A ₀	B	S	N			
mm	in.			kN lbs	kN lbs	mm in.	mm in.	mm in.	mm in.	mm in.	mm in.	mm in.	mm in.	mm in.	mm in.	mm in.	kg lbs
20	3/4	SUCAF204-12/F	SUC204-12/F	10.9	5.4	85.9	63.5	11.2	15.1	24.1	33.4	31	12.7	10.3	M10	0.9	
		SUCAF204/F	SUC204/F	2450	1203	3.375	2.500	0.438	0.594	0.950	1.315	1.220	0.500	0.406	3/8	1.9	
25	7/8	SUCAF205-14/F	SUC205-14/F	11.9	6.3	95.3	69.9	12.7	16.1	24.6	35.9	34.1	14.3	10.3	M10	1.0	
	15/16	SUCAF205-15/F	SUC205-15/F														
		SUCAF205/F	SUC205/F														2675
30	1	SUCAF205-16/F	SUC205-16/F	16.5	9.1	108	82.6	12.7	16.7	27.2	38.9	38.1	15.9	10.3	M10	1.4	
	1 1/8	SUCAF206-18/F	SUC206-18/F														
		SUCAF206/F	SUC206/F														3709
35	1 1/4	SUCAF206-20/F	SUC206-20/F	21.8	12.3	120.7	92.2	14.2	20.1	31	45.5	42.9	17.5	13.5	M12	2.0	
	1 1/4	SUCAF207-20/F	SUC207-20/F														
	1 5/16	SUCAF207-21/F	SUC207-21/F														
	1 3/8	SUCAF207-22/F	SUC207-22/F														
		SUCAF207/F	SUC207/F														4901
1 7/16	SUCAF207-23/F	SUC207-23/F															

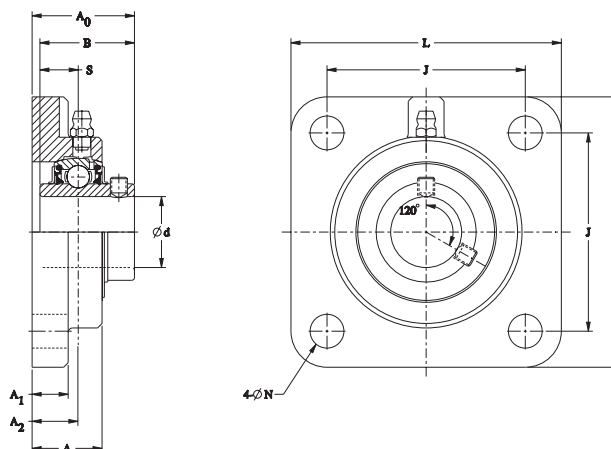
HYGIENIC STAINLESS STEEL HOUSING WITH STAINLESS STEEL BALL BEARING INSERTS

STAINLESS STEEL FOUR-BOLT FLANGED MOUNTED BEARINGS



These units can be ordered with IP69K rated seal. No lubrication hole and no grease fitting with IP69K.

IP69K rated seal part number for
Stainless Steel Four-Bolt Flanged
Mounted Bearings:
SUCAF205-16-IP69K/F



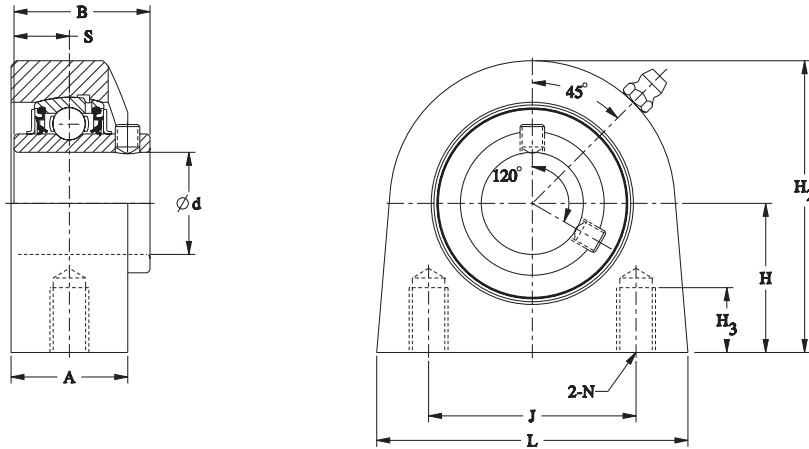
Shaft Dia. d		Four-Bolt Flange Designation	Bearing Designation	Basic Load Ratings		Dimensions								Bolt Size	Wt.	
				Dynamic	Static	L	J	A ₁	A ₂	A	A ₀	B	S			N
				C _r	C _{0r}	mm	mm	mm	mm	mm	mm	mm	mm			mm
mm	in.			kN	kN	mm	mm	mm	mm	mm	mm	mm	mm	mm	mm	kg
	1 ½	SUCAF208-24/F	SUC208-24/F	24.8	14.3	130.3	101.6	14.2	19.5	31.5	49.7	49.2	19	13.5	M12	2.6
	1 ⅝	SUCAF208-25/F	SUC208-25/F													
40		SUCAF208/F	SUC208/F													
	1 ⅝	SUCAF209-26/F	SUC209-26/F	27.8	16.2	133.4	104.9	16	19.4	31.5	49.6	49.2	19	13.5	M12	2.8
	1 ⅞	SUCAF209-27/F	SUC209-27/F													
	1 ¾	SUCAF209-28/F	SUC209-28/F													
45		SUCAF209/F	SUC209/F													
	1 ⅞	SUCAF210-30/F	SUC210-30/F	29.8	18.6	139.7	111.3	16	19.6	31.5	52.2	51.6	19	13.5	M12	2.9
	1 ⅞	SUCAF210-31/F	SUC210-31/F													
50		SUCAF210/F	SUC210/F													
	2	SUCAF210-32/F	SUC210-32/F													

STAINLESS STEEL TAPPED-BASE (IMPERIAL THREAD) MOUNTED BEARINGS



These units can be ordered with IP69K rated seal and/or QuiKlean housing type. No lubrication hole and no grease fitting with IP69K.

IP69K rated seal part number for Stainless Steel Tapped-Base (Imperial Thread) Mounted Bearings: SUCATBY205-16-IP69K/F



Shaft Dia. d		Tapped Base Designation	Bearing Designation	Basic Load Ratings		Dimensions									Wt.											
				Dynamic C _r	Static C _{0r}	H	L	A	J	N	H ₂	H ₃	B	S												
mm	in.				mm	mm	mm	mm	mm	mm	mm	mm	mm	mm	kg											
			kN	kN	mm	mm	mm	mm	mm	mm	mm	mm	mm	mm	lbs											
20	3/4	SUCATBY204-12/F	SUC204-12/F	10.9	5.4	33.3	73.2	28.7	50.8		64.3	15.9	31	12.7	0.6											
		SUCATBY204/F	SUC204/F	2450	1203	1.313	2.880	1.130	2.000	3/8-16	2.530	0.625	1.220	0.500	1.4											
25	7/8	SUCATBY205-14/F	SUC205-14/F	11.9	6.3	36.6	76.2	28.7	50.8	3/8-16	71.4	15.9	34.1	14.3	0.8											
	15/16	SUCATBY205-15/F	SUC205-15/F													2675	1416	1.438	3.000	1.130	2.000	2.813	0.625	1.343	0.563	
		SUCATBY205/F	SUC205/F																							
	1	SUCATBY205-16/F	SUC205-16/F																							
30	1 1/8	SUCATBY206-18/F	SUC206-18/F	16.5	9.1	42.9	101.6	37.3	76.2	7/16-14	82.6	19.1	38.1	15.9	1.4											
		SUCATBY206/F	SUC206/F													3709	2035	1.688	4.000	1.470	3.000	3.250	0.750	1.500	0.626	
	1 3/8	SUCATBY206-19/F	SUC206-19/F																							
	1 1/4	SUCATBY206-20/F	SUC206-20/F																							
35	1 1/4	SUCATBY207-20/F	SUC207-20/F	21.8	12.3	47.6	108	37.3	82.6	1/2-13	93.7	19.1	42.9	17.5	1.8											
	1 5/8	SUCATBY207-21/F	SUC207-21/F													4901	2765	1.875	4.250	1.470	3.250	3.690	0.750	1.689	0.689	
	1 3/8	SUCATBY207-22/F	SUC207-22/F																							
		SUCATBY207/F	SUC207/F																							
	1 7/8	SUCATBY207-23/F	SUC207-23/F																							

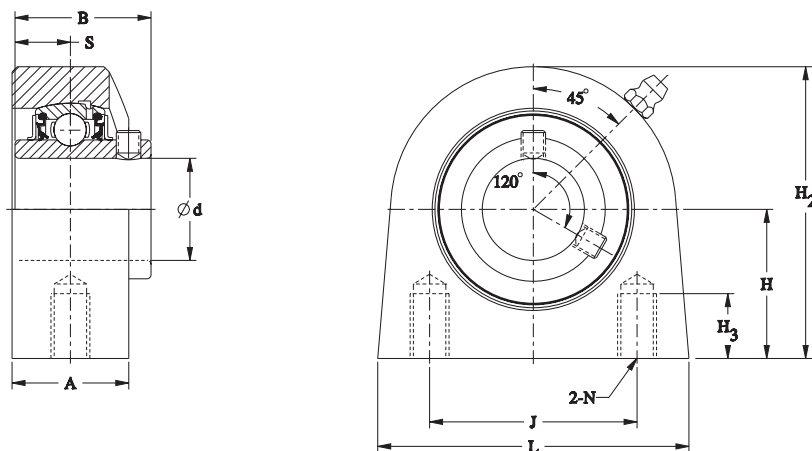
HYGIENIC STAINLESS STEEL HOUSING WITH STAINLESS STEEL BALL BEARING INSERTS

STAINLESS STEEL TAPPED-BASE (IMPERIAL THREAD) MOUNTED BEARINGS



These units can be ordered with IP69K rated seal. No lubrication hole and no grease fitting with IP69K.

IP69K rated seal part number for Stainless Steel Tapped-Base (Imperial Thread) Mounted Bearings: SUCATBY205-16-IP69K/F



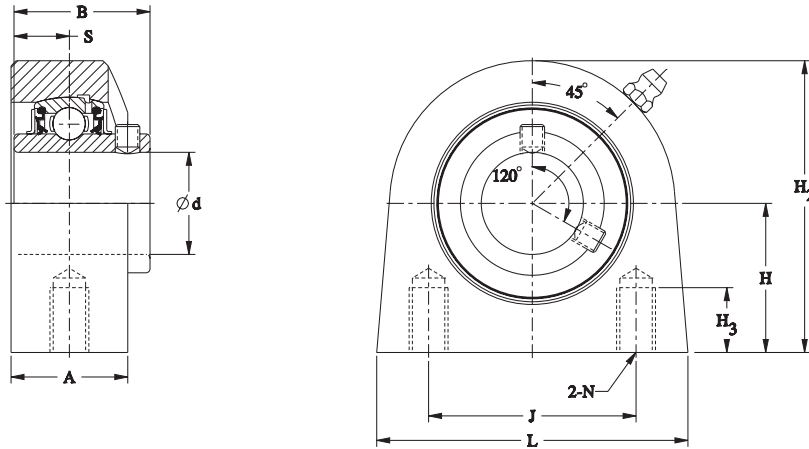
Shaft Dia. d		Tapped Base Designation	Bearing Designation	Basic Load Ratings		Dimensions								Wt.												
				Dynamic	Static	H	L	A	J	N	H ₂	H ₃	B		S											
				C _r	C _{0r}	mm	mm	mm	mm	mm	mm	mm	mm		mm	mm										
40	1 ½	SUCATBY208-24/F	SUC208-24/F	24.8	14.3	49.3	117.6	41.4	88.9	½-13	100.1	19.1	49.2	19	2.1											
	1 ⅞	SUCATBY208-25/F	SUC208-25/F													5575	3215	1.938	4.630	1.630	3.500	3.940	0.750	1.937	0.748	4.7
		SUCATBY208/F	SUC208/F																							
45	1 ⅝	SUCATBY209-26/F	SUC209-26/F	27.8	16.2	54	127	43.7	95.3	½-13	108	19.1	49.2	19	2.6											
	1 ⅞	SUCATBY209-27/F	SUC209-27/F													6250	3642	2.125	5.000	1.720	3.750	4.250	0.750	1.937	0.748	5.7
	1 ¾	SUCATBY209-28/F	SUC209-28/F																							
		SUCATBY209/F	SUC209/F																							
50	1 ⅞	SUCATBY210-30/F	SUC210-30/F	29.8	18.6	57.2	139.7	50	101.6	¾-11	114.3	22.2	51.6	19	3.4											
	1 ⅞	SUCATBY210-31/F	SUC210-31/F													6699	4181	2.250	5.500	1.970	4.000	4.500	0.875	2.031	0.748	7.4
	2	SUCATBY210-32/F	SUC210-32/F																							

STAINLESS STEEL TAPPED-BASE (METRIC THREAD) MOUNTED BEARINGS



These units can be ordered with IP69K rated seal and/or QuiKlean housing type. No lubrication hole and no grease fitting with IP69K.

IP69K rated seal part number for Stainless Steel Tapped-Base (Metric Thread) Mounted Bearings: SUCATBYM205-16-IP69K/F



Shaft Dia. d		Tapped Base Designation	Bearing Designation	Basic Load Ratings		Dimensions									Wt.												
				Dynamic C _r	Static C _{0r}	H	L	A	J	N	H ₂	H ₃	B	S													
mm	in.				mm	mm	mm	mm	mm	mm	mm	mm	mm	mm	kg												
						in.	in.	in.	in.	in.	in.	in.	in.	in.	lbs												
20	¾	SUCATBYM204-12/F	SUC204-12/F	10.9	5.4	33.3	73.2	28.7	50.8	M8	64.3	15.9	31	12.7	0.6												
		SUCATBYM204/F	SUC204/F	2450	1203	1.313	2.880	1.130	2.000		2.530	0.625	1.220	0.500	1.4												
25	7/8	SUCATBYM205-14/F	SUC205-14/F	11.9	6.3	36.6	76.2	28.7	50.8	M10	71.4	15.9	34.1	14.3	0.8												
	15/16	SUCATBYM205-15/F	SUC205-15/F													2675	1416	1.438	3.000	1.130	2.000	2.813	0.625	1.343	0.563	1.7	
		SUCATBYM205-16/F	SUC205-16/F																								
30	1	SUCATBYM205-16/F	SUC205-16/F	16.5	9.1	42.9	101.6	37.3	76.2	M10	82.6	19.1	38.1	15.9	1.4												
	1 1/8	SUCATBYM206-18/F	SUC206-18/F													3709	2035	1.688	4.000	1.470	3.000	3.250	0.750	1.500	0.626	3.0	
		SUCATBYM206-19/F	SUC206-19/F																								
35	1 1/4	SUCATBYM206-20/F	SUC206-20/F	21.8	12.3	47.6	108	37.3	82.6	M10	93.7	19.1	42.9	17.5	1.8												
	1 1/4	SUCATBYM207-20/F	SUC207-20/F													4901	2765	1.875	4.250	1.470	3.250	3.690	0.750	1.689	0.689	3.9	
	1 5/16	SUCATBYM207-21/F	SUC207-21/F																								
	1 3/8	SUCATBYM207-22/F	SUC207-22/F																								
		SUCATBYM207-23/F	SUC207-23/F																								

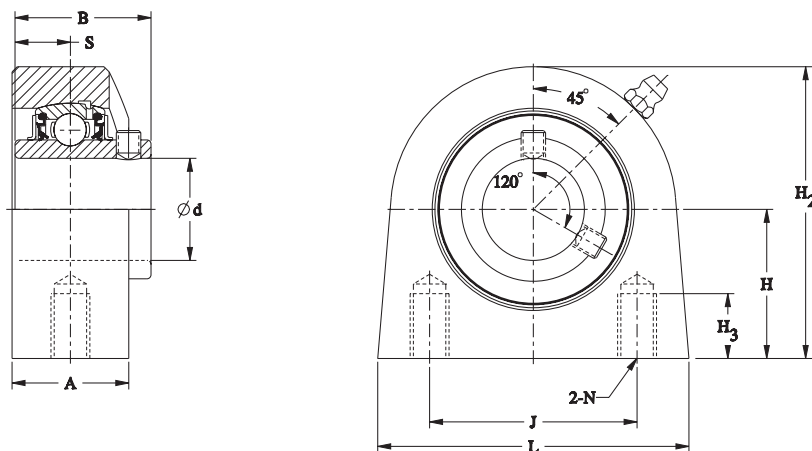
HYGIENIC STAINLESS STEEL HOUSING WITH STAINLESS STEEL BALL BEARING INSERTS

STAINLESS STEEL TAPPED-BASE (METRIC THREAD) MOUNTED BEARINGS



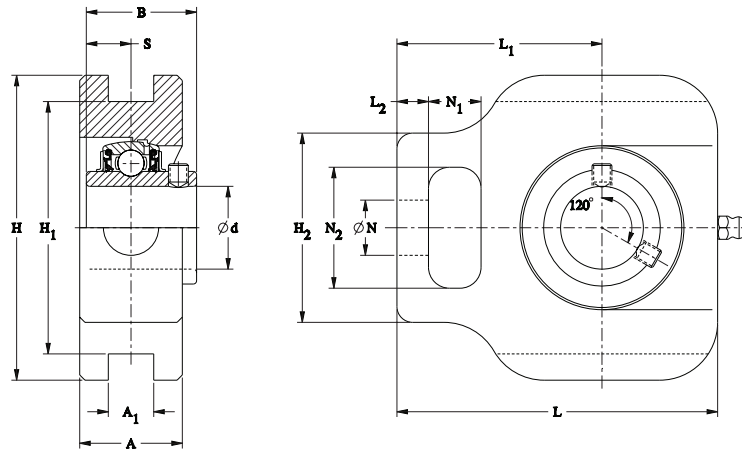
These units can be ordered with IP69K rated seal. No lubrication hole and no grease fitting with IP69K.

IP69K rated seal part number for Stainless Steel Tapped-Base (Metric Thread) Mounted Bearings: SUCATBYM205-16-IP69K/F

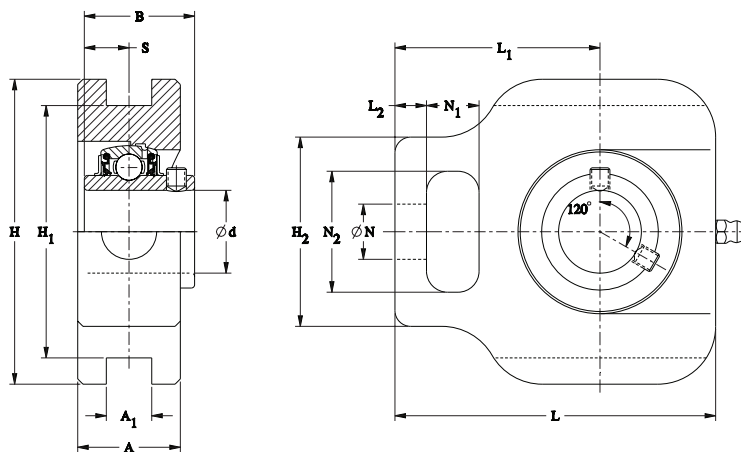


Shaft Dia. d		Tapped Base Designation	Bearing Designation	Basic Load Ratings		Dimensions								Wt.	
				Dynamic	Static	H	L	A	J	N	H ₂	H ₃	B		S
				C _r	C _{0r}	mm	mm	mm	mm	mm	mm	mm	mm		mm
mm	in.			kN	kN	mm	mm	mm	mm	mm	mm	mm	mm	mm	kg
	1 ½	SUCATBYM208-24/F	SUC208-24/F	24.8	14.3	49.3	117.6	41.4	88.9	M12	100.1	19.1	49.2	19	2.1
	1 ⅝	SUCATBYM208-25/F	SUC208-25/F												
40		SUCATBYM208/F	SUC208/F												
	1 ⅝	SUCATBYM209-26/F	SUC209-26/F	27.8	16.2	54	127	43.7	95.3	M12	108	19.1	49.2	19	2.6
	1 ⅞	SUCATBYM209-27/F	SUC209-27/F												
	1 ¾	SUCATBYM209-28/F	SUC209-28/F												
45		SUCATBYM209/F	SUC209/F												
	1 ⅞	SUCATBYM210-30/F	SUC210-30/F	29.8	18.6	57.2	139.7	50	101.6	M16	114.3	22.2	51.6	19	3.4
	1 ⅞	SUCATBYM210-31/F	SUC210-31/F												
		SUCATBYM210-32/F	SUC210-32/F												
50		SUCATBYM210/F	SUC210/F												
	2	SUCATBYM210-32/F	SUC210-32/F												

STAINLESS STEEL TAKE-UP MOUNTED BEARINGS



Shaft Dia. d		Take-Up Unit Designation	Bearing Designation	Basic Load Ratings		Dimensions													Wt.
				Dynamic C _r	Static C _{0r}	H	H ₁	L ₂	L ₁	A	N	L	H ₂	B	S	N ₁	N ₂	A ₁	
mm	in.			kN lbs	kN lbs	mm in.	mm in.	mm in.	mm in.	mm in.	mm in.	mm in.	mm in.	mm in.	mm in.	mm in.	mm in.	mm in.	kg lbs
20	¾	SUCAT204-12/F	SUC204-12/F	10.9	5.4	92.2	76.2	9.7	60.3	31	16.7	93.7	57.2	31	12.7	15.7	36.6	13.7	1.5
		SUCAT204/F	SUC204/F	2450	1203	3.620	3.000	0.380	2.375	1.220	0.656	3.688	2.250	1.220	0.500	0.620	1.438	0.540	3.2
25	7/8	SUCAT205-14/F	SUC205-14/F	11.9	6.3	92.2	76.2	9.7	61.9	31	16.7	96.8	57.2	34.1	14.3	15.7	36.6	13.7	1.4
	15/16	SUCAT205-15/F	SUC205-15/F																
		SUCAT205/F	SUC205/F	2675	1416	3.620	3.000	0.380	2.438	1.220	0.656	3.813	2.250	1.343	0.563	0.620	1.438	0.540	3.1
30	1	SUCAT205-16/F	SUC205-16/F	16.5	9.1	104.9	88.9	9.7	69.9	37.3	19.8	111.3	66.9	38.1	15.9	19.8	41.4	13.7	2.2
	1 1/8	SUCAT206-18/F	SUC206-18/F																
		SUCAT206/F	SUC206/F	3709	2035	4.125	3.500	0.380	2.750	1.470	0.781	4.375	2.636	1.500	0.626	0.780	1.625	0.540	4.8
35	1 1/4	SUCAT206-20/F	SUC206-20/F	21.8	12.3	104.9	88.9	9.7	76.2	37.3	19.8	122.2	66.9	42.9	17.5	19.8	41.4	13.7	2.4
	1 1/2	SUCAT207-20/F	SUC207-20/F																
		SUCAT207/F	SUC207/F	4901	2765	4.125	3.500	0.380	3.000	1.470	0.781	4.813	2.636	1.689	0.689	0.780	1.630	0.540	5.3
	1 5/8	SUCAT207-21/F	SUC207-21/F	21.8	12.3	104.9	88.9	9.7	76.2	37.3	19.8	122.2	66.9	42.9	17.5	19.8	41.4	13.7	2.4
	1 3/4	SUCAT207-22/F	SUC207-22/F																
	SUCAT207/F	SUC207/F	4901	2765	4.125	3.500	0.380	3.000	1.470	0.781	4.813	2.636	1.689	0.689	0.780	1.630	0.540	5.3	
	1 7/8	SUCAT207-23/F	SUC207-23/F																



Shaft Dia. d	Take-Up Unit Designation	Bearing Designation	Basic Load Ratings		Dimensions													Wt.	
			Dynamic	Static	H	H ₁	L ₂	L ₁	A	N	L	H ₂	B	S	N ₁	N ₂	A ₁		
			C _r	C _{0r}	mm	mm	mm	mm	mm	mm	mm	mm	mm	mm	mm	mm	mm		mm
mm	in.		kN	kN	mm	mm	mm	mm	mm	mm	mm	mm	mm	mm	mm	mm	mm	mm	kg
			lbs	lbs	in.	in.	in.	in.	in.	in.	in.	in.	in.	in.	in.	in.	in.	in.	lbs
	1 1/2	SUCAT208-24/F	SUC208-24/F	24.8	14.3	114.3	101.6	14.2	87.3	47.8	26.2	139.7	81	49.2	19	23.9	49.3	17.8	3.5
	1 5/8	SUCAT208-25/F	SUC208-25/F	5575	3215	4.500	4.000	0.563	3.438	1.880	1.031	5.500	3.188	1.937	0.748	0.937	1.938	0.696	7.8
40		SUCAT208/F	SUC208/F																
	1 5/8	SUCAT209-26/F	SUC209-26/F	27.8	16.2	117.6	101.6	14.2	88.9	47.8	27	144.5	81	49.2	19	23.9	49.3	17.8	3.7
	1 7/8	SUCAT209-27/F	SUC209-27/F	6250	3642	4.625	4.000	0.560	3.500	1.880	1.063	5.688	3.188	1.937	0.748	0.940	1.938	0.696	8.1
	1 3/4	SUCAT209-28/F	SUC209-28/F																
45		SUCAT209/F	SUC209/F																
	1 7/8	SUCAT210-30/F	SUC210-30/F	29.8	18.6	120.7	101.6	14.2	90.5	47.8	27	147.6	81	51.6	19	23.9	49.3	17.8	3.9
	1 5/8	SUCAT210-31/F	SUC210-31/F	6699	4181	4.750	4.000	0.560	3.563	1.880	1.063	5.813	3.188	2.031	0.748	0.940	1.938	0.696	8.6
	2	SUCAT210-32/F	SUC210-32/F																



***STAINLESS STEEL
SET SCREW LOCKING
BALL BEARING INSERTS***

The following topics are covered within this section:

Stainless Steel Set Screw Locking Ball Bearing Inserts78

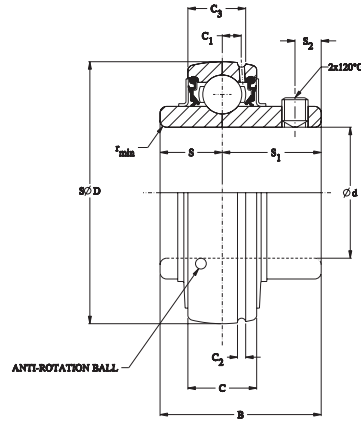
STAINLESS STEEL SET SCREW LOCKING BALL BEARING INSERTS

- The set screw mounting feature is ideal for reversing load applications.
- All bearing components are made of stainless steel (races, balls, cage, flingers), providing superior corrosion resistance and full metal detectability.
- Bearings are pre-lubricated with NSF H1 grease and ready for immediate installation.
- An external stainless steel flinger provides the first level of protection against contamination.
- The three element sealing offers additional levels of protection with the flinger contact interface and land riding seals, in addition to the inward facing seal lip to keep grease in.

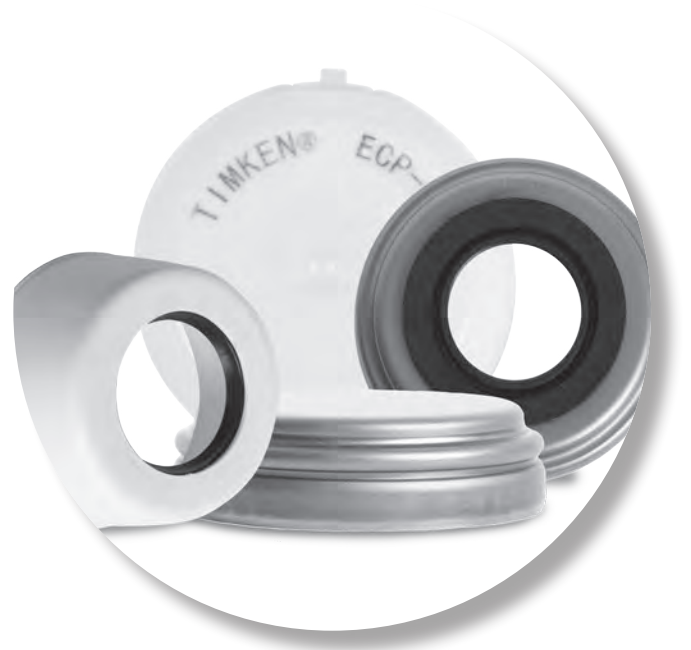
Shaft Dia. d		Bearing Designation	Basic Load Ratings		Dimensions							Min. Fillet Radius r (min.)	Set Screw Size G	Wt.	
			Dynamic C _r	Static C _{0r}	D	C	B	S ₂	C ₁	S	S ₁				
mm	in.		kN lbs.	kN lbs.	mm in.	mm in.	mm in.	mm in.	mm in.	mm in.	mm in.	mm in.	mm in.	kg lbs.	
20	3/4	SUC204-12/F	10.9 2450	5.35 1203	47.0 1.850	16.0 0.630	31.0 1.220	5.0 0.197	4.0 0.157	12.7 0.500	18.3 0.720	1.0 0.039	M6 0.75	0.2 0.4	
		SUC204/F												0.2 0.4	
25	7/8	SUC205-14/F	11.9 2675	6.30 1416	52.0 2.047	17.0 0.669	34.1 1.343	5.5 0.217	4.7 0.185	14.3 0.563	19.8 0.78	1.0 0.039		0.2 0.5	
	1 1/16	SUC205-15/F												0.2 0.5	
		SUC205/F												0.2 0.4	
	1	SUC205-16/F												0.2 0.4	
30	1 1/8	SUC206-18/F	16.5 3709	9.05 2035	62.0 2.441	19.0 0.748	38.1 1.500	6.0 0.236	5.0 0.197	15.9 0.626	22.2 0.874	1.0 0.039		0.3 0.7	
		SUC206/F												0.3 0.7	
	1 3/16	SUC206-19/F												0.3 0.7	
	1 1/4	SUC206-20/F												0.3 0.7	
35	1 1/4	SUC207-20/F	21.8 4901	12.30 2765	72.0 2.835	20.0 0.787	42.9 1.689	6.5 0.256	5.5 0.217	17.5 0.689	25.4 1.000	1.1 0.043		M8 1.0	0.5 1.1
	1 5/16	SUC207-21/F												0.5 1.1	
	1 3/8	SUC207-22/F											0.5 1.1		
		SUC207/F											0.5 1.1		
	1 7/16	SUC207-23/F											0.4 0.9		

STAINLESS STEEL SET SCREW LOCKING BALL BEARING INSERTS

STAINLESS STEEL SET SCREW LOCKING BALL BEARING INSERTS



Shaft Dia. d		Bearing Designation	Basic Load Ratings		Dimensions							Min. Fillet Radius r (min.)	Set Screw Size G	Wt.
			Dynamic C _r	Static C _{0r}	D	C	B	S ₂	C ₁	S	S ₁			
mm	in.		kN lbs.	kN lbs.	mm in.	mm in.	mm in.	mm in.	mm in.	mm in.	mm in.	mm in.	mm in.	kg lbs.
	1 1/2	SUC208-24/F	24.8 5575	14.30 3215	80.0 3.150	21.0 0.827	49.2 1.937	8.0 0.315	6.0 0.236	19.0 0.748	30.2 1.189	1.1 0.043	M8 1.0	0.7 1.5
	1 5/16	SUC208-25/F												0.6 1.3
40		SUC208/F												0.6 1.3
	1 5/8	SUC209-26/F	27.8 6250	16.20 3642	85.0 3.346	22.0 0.866	49.2 1.937	8.0 0.315	6.0 0.236	19.0 0.748	30.2 1.189	1.1 0.043		0.8 1.8
	1 11/16	SUC209-27/F												0.7 1.5
	1 3/4	SUC209-28/F												0.7 1.5
45		SUC209/F	0.7 1.5											
	1 7/8	SUC210-30/F	29.8 6699	18.60 4181	90.0 3.543	24.0 0.945	51.6 2.031	9.0 0.354	6.0 0.236	19.0 0.748	32.6 1.283	1.1 0.043		0.9 2.0
	1 15/16	SUC210-31/F												0.8 1.8
		SUC210/F												0.8 1.8
50		SUC210/F	0.8 1.8											
	2	SUC210-32/F	0.8 1.8											



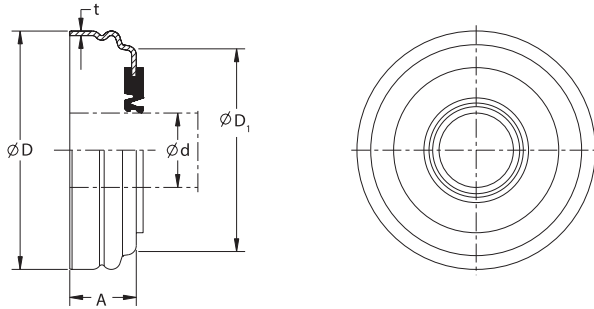
***CORROSION-RESISTANT
MOUNTED BEARING
END COVERS***

The following topics are covered within this section:

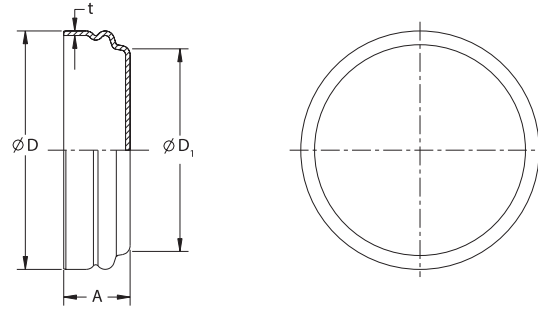
Stainless Steel End Covers.....	82
Polymer End Covers.....	83
End Cover Dimensions	84

STAINLESS STEEL END COVERS

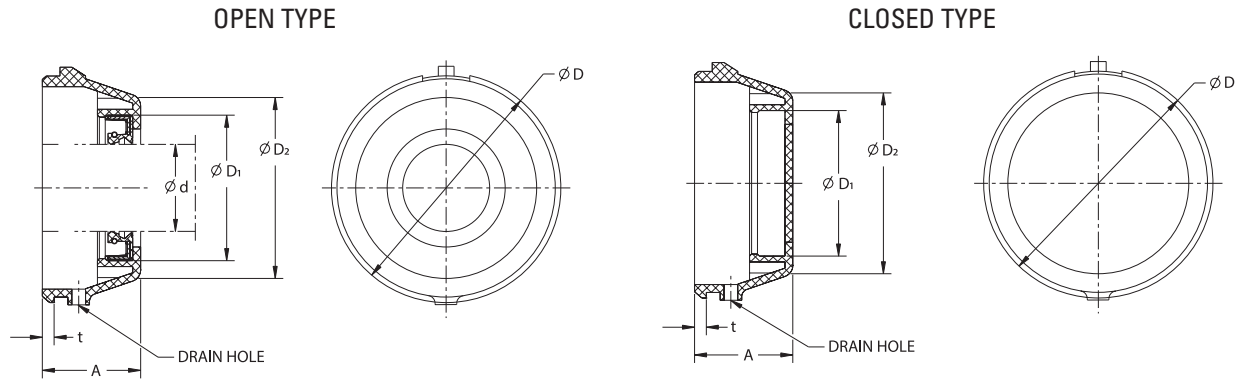
OPEN TYPE



CLOSED TYPE



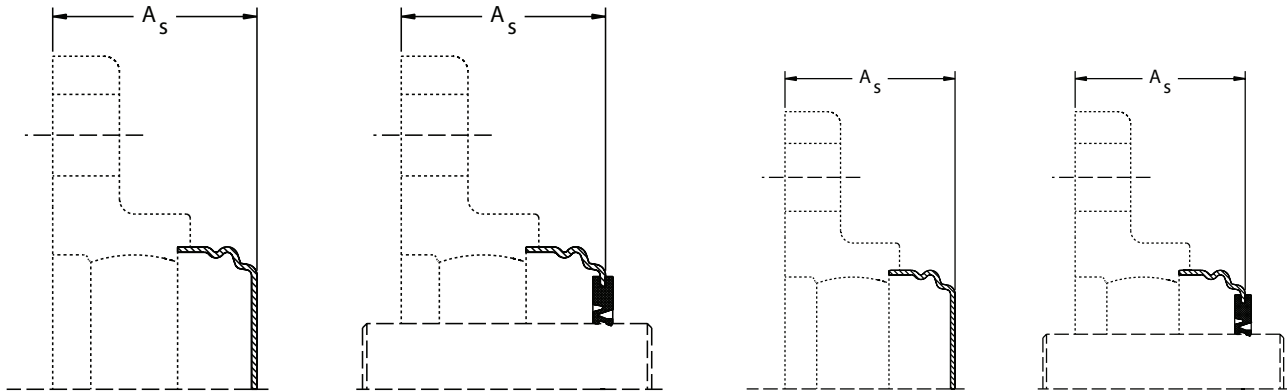
Shaft Dia. d		Part Number		Dimensions			
		Open	Closed	D	D ₁	A	t
in.	mm			mm in.	mm in.	mm in.	mm in.
3/4		E0S-U204-12	ECS-U204	52	45	14.5	1
	20	E0S-U204		2 3/64	1 49/64	37/64	0.039
1	25	E0S-U205	ECS-U205	58	51	15.5	1
		E0S-U205-16		2 7/32	2 1/64	39/64	0.039
1 1/16	30	E0S-U206	ECS-U206	68	61	16.5	1
		E0S-U206-19		2 49/64	2 13/32	2 1/32	0.039
1 1/4		E0S-U206-20	ECS-U207	78	70	18.5	1
	35	E0S-U207					
1 7/16		E0S-U207-23					
1 1/2		E0S-U208-24	ECS-U208	86	78	22.5	1
	40	E0S-U208		3 25/64	3 3/64	57/64	0.039
1 11/16		E0S-U209-27	ECS-U209	92	84	22	1
	45	E0S-U209		3 5/8	3 3/16	55/64	0.039
1 15/16		E0S-U210-31	ECS-U210	96	88	24	1
	50	E0S-U210		3 29/32	3 15/32	15/16	0.039
2		E0S-U210-32					

POLYMER END COVERS

Shaft Dia. d		Part Number		Dimensions				
		Open	Closed	D	D ₁	D ₂	A	t
in.	mm			mm in.	mm in.	mm in.	mm in.	mm in.
3/4		EOP-U204-12	ECP-U204	52.35	32	41	23	3
	20	EOP-U204		2 1/16	1 1/64	1 39/64	29/32	0.118
1	25	EOP-U205	ECP-U205	58.35	37	46	25	3
		EOP-U205-16		2 19/64	1 29/64	1 13/16	63/64	0.118
1 1/16	30	EOP-U206	ECP-U206	68.35	42	52	30	3
		EOP-U206-19		2 11/16	1 21/32	2 3/64	1 3/16	0.118
1 1/4		EOP-U206-20	ECP-U207	78.35	47	62	32	3
	35	EOP-U207						
1 7/16		EOP-U207-23	ECP-U208	86.35	52	70	37	3
	40	EOP-U208						
1 1/2		EOP-U208-24	ECP-U209	92.35	58	73	41	3
	45	EOP-U209						
1 5/16		EOP-U209-27	ECP-U210	96.35	62	79	47	3
	50	EOP-U210						
2		EOP-U210-32						

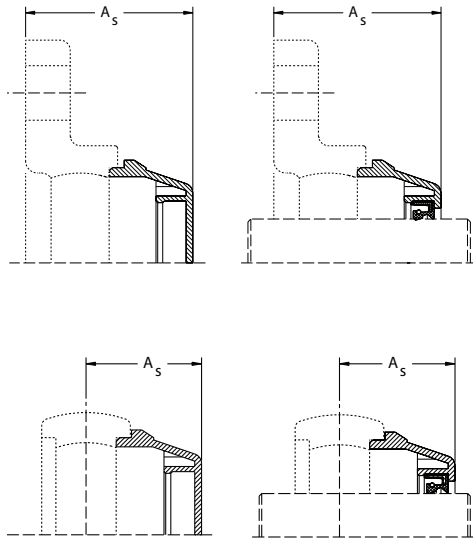
END COVER DIMENSIONS

STAINLESS STEEL END COVERS IN STAINLESS STEEL HOUSINGS



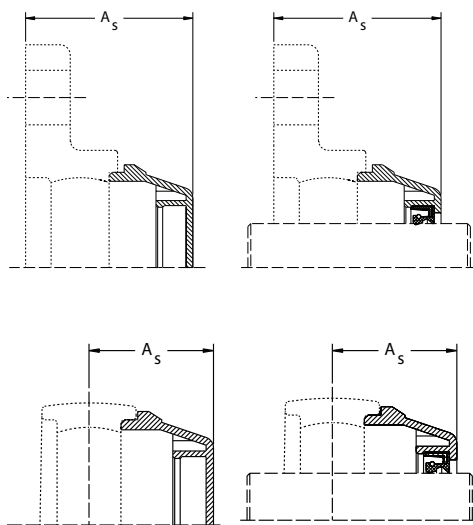
Basic Size	Dimension A_s				
	Stainless Steel End Covers in Stainless Steel Housings				
	Pillow Block	Tapped Base	Two-Bolt	Four-Bolt	Take-Up
	mm in.	mm in.	mm in.	mm in.	mm in.
204	22.5 0.886	22.5 0.886	37 1.457	37 1.457	22.5 0.886
205	24.5 0.965	24.5 0.965	39.5 1.555	39.5 1.555	24.5 0.965
206	26.5 1.043	26.5 1.043	44 1.732	44 1.732	26.5 1.043
207	30 1.181	30 1.181	49 1.929	49 1.929	30 1.181
208	34.5 1.358	34.5 1.358	55 2.165	55 2.165	34.5 1.358
209	34.5 1.358	34.5 1.358	56 2.205	56 2.205	34.5 1.358
210	36.5 1.437	36.5 1.437	58.5 2.303	58.5 2.303	36.5 1.437

POLYMER END COVERS IN POLYMER HOUSINGS



Basic Size	Dimension A _s				
	Polymer End Covers in Polymer Housings				
	Pillow Block	Two-Bolt	Three-Bolt	Four-Bolt	Tapped Base
	mm in.	mm in.	mm in.	mm in.	mm in.
204	31.5 1.240	46.5 1.831	45.6 1.795	48 1.890	31.5 1.240
205	34 1.339	49.7 1.957	55.5 2.185	50.7 1.996	34 1.339
206	39.5 1.555	57.5 2.264	58.8 2.315	58.7 2.311	39.5 1.555
207	42.5 1.673	61.2 2.409	64.2 2.528	63.7 2.508	42.5 1.673
208	48 1.890	68.7 2.705	- -	70.7 2.783	48 1.890
209	52.5 2.067	74.5 2.933	- -	76.5 3.012	52.5 2.067
210	59.5 2.343	81.5 3.209	- -	84.5 3.209	59.5 2.343

POLYMER END COVERS IN STAINLES STEEL HOUSINGS



Basic Size	Dimension A _s				
	Polymer End Covers in Stainless Steel Housings				
	Pillow Block	Two-Bolt	Four-Bolt	Take-Up	Tapped Base
	mm in.	mm in.	mm in.	mm in.	mm in.
204	31 1.220	45.5 1.791	45.5 1.791	31 1.220	31 1.220
205	34 1.339	49 1.929	49 1.929	34 1.339	34 1.339
206	40 1.575	57.5 2.264	57.5 2.264	40 1.575	40 1.575
207	43.5 1.713	62.5 2.461	62.5 2.461	43.5 1.713	43.5 1.713
208	49 1.929	69.5 2.736	69.5 2.736	49 1.929	49 1.929
209	53.5 2.106	75 2.953	75 2.953	53.5 2.106	53.5 2.106
210	60 2.362	82 3.228	82 3.228	60 2.362	60 2.362

CORROSION-RESISTANT PRODUCT OFFERING

Timken offers a broad range of standard corrosion-resistant Mounted Ball Bearing Stainless Steel Insert Units.

- Mounted Ball Bearing Stainless Steel Inserts available in 204-210 series (20 mm - 50 mm and ¾ in. - 2 in.).

- Housings available in cast stainless steel, white polymer (thermoplastic) as well as in hygienic blue polymer (thermoset) and hygienic stainless steel, in all mounting styles.

TABLE 10.
CURRENT CORROSION-RESISTANT PRODUCT OFFERING

Housing Style	Insert Series						
	204	205	206	207	208	209	210
Pillow block (P)	S, PL, B, A	S, PL, B, A	S, PL, B, A	S, PL, B, A	S, PL, B, A	S, PL, B, A	S, PL, B, A
Two-Bolt flange (FL)	S, PL, B, A	S, PL, B, A	S, PL, B, A	S, PL, B, A	S, PL, B, A	S, PL, B, A	S, PL, B, A
Three-Bolt flange (FB)	S, PL, B, A	S, PL, B, A	S, PL, B, A	S, PL, B, A	S, B, A	B, A	B, A
Four-Bolt flange (F)	S, PL, B, A	S, PL, B, A	S, PL, B, A	S, PL, B, A	S, PL, B, A	S, PL, B, A	S, PL, B, A
Take-up, wide slot (T)	S, B, A	S, B, A	S, B, A	S, B, A	S, B, A	S, B, A	S, B, A
Tapped-base (TB)	S	S	S	S	S	S	S
Tapped-base, Y series design with imperial thread (TBY)	S, B, A	S, B, A	S, B, A	S, B, A	S, B, A	B, A	B, A
Tapped Base, Y series design with metric thread (TBYM)	S, B, A	S, B, A	S, B, A	S, B, A	S, B, A	B, A	B, A
Pillow block low-base (PL)	B, A	B, A	B, A	B, A	B, A	B, A	B, A
Two-Bolt flange, small bolt pattern (FLS)	B, A	B, A	B, A	B, A	–	–	–
Three-Bolt flange, round (FRB)	B, A	B, A	B, A	B, A	A	A	A
Piloted flange Four-Bolt (FC)	–	B, A	B, A	B, A	B, A	B, A	B, A
Take-up, narrow slot (TN)	B, A	B, A	B, A	B, A	B, A	B, A	B, A
Hanger Bearing (H)	A	A	A	A	A	A	A

- S** Stainless steel
- PL** White polymer (thermoplastic)
- A** Hygienic stainless steel
- B** Hygienic blue polymer (thermoset)

Current offering shown in catalog product tables.

For product data, price and availability, contact your local sales representative.

Алматы (7273)495-231
 Ангарск (3955)60-70-56
 Архангельск (8182)63-90-72
 Астрахань (8512)99-46-04
 Барнаул (3852)73-04-60
 Белгород (4722)40-23-64
 Благовещенск (4162)22-76-07
 Брянск (4832)59-03-52
 Владивосток (423)249-28-31
 Владикавказ (8672)28-90-48
 Владимир (4922)49-43-18
 Волгоград (844)278-03-48
 Вологда (8172)26-41-59
 Воронеж (473)204-51-73
 Екатеринбург (343)384-55-89

Иваново (4932)77-34-06
 Ижевск (3412)26-03-58
 Иркутск (395)279-98-46
 Казань (843)206-01-48
 Калининград (4012)72-03-81
 Калуга (4842)92-23-67
 Кемерово (3842)65-04-62
 Киров (8332)68-02-04
 Коломна (4966)23-41-49
 Кострома (4942)77-07-48
 Краснодар (861)203-40-90
 Красноярск (391)204-63-61
 Курск (4712)77-13-04
 Курган (3522)50-90-47
 Липецк (4742)52-20-81

Магнитогорск (3519)55-03-13
 Москва (495)268-04-70
 Мурманск (8152)59-64-93
 Набережные Челны (8552)20-53-41
 Нижний Новгород (831)429-08-12
 Новокузнецк (3843)20-46-81
 Ноябрьск (3496)41-32-12
 Новосибирск (383)227-86-73
 Омск (3812)21-46-40
 Орел (4862)44-53-42
 Оренбург (3532)37-68-04
 Пенза (8412)22-31-16
 Петрозаводск (8142)55-98-37
 Псков (8112)59-10-37
 Пермь (342)205-81-47

Ростов-на-Дону (863)308-18-15
 Рязань (4912)46-61-64
 Самара (846)206-03-16
 Санкт-Петербург (812)309-46-40
 Саратов (845)249-38-78
 Севастополь (8692)22-31-93
 Саранск (8342)22-96-24
 Симферополь (3652)67-13-56
 Смоленск (4812)29-41-54
 Сочи (862)225-72-31
 Ставрополь (8652)20-65-13
 Сургут (3462)77-98-35
 Сыктывкар (8212)25-95-17
 Тамбов (4752)50-40-97
 Тверь (4822)63-31-35

Тольятти (8482)63-91-07
 Томск (3822)98-41-53
 Тула (4872)33-79-87
 Тюмень (3452)66-21-18
 Ульяновск (8422)24-23-59
 Улан-Удэ (3012)59-97-51
 Уфа (347)229-48-12
 Хабаровск (4212)92-98-04
 Чебоксары (8352)28-53-07
 Челябинск (351)202-03-61
 Череповец (8202)49-02-64
 Чита (3022)38-34-83
 Якутск (4112)23-90-97
 Ярославль (4852)69-52-93

Россия +7(495)268-04-70

Казахстан +7(7172)727-132

Киргизия +996(312)96-26-47

<https://timken.nt-rt.ru/> || tek@nt-rt.ru