

TIMKEN



NATIONAL® INDUSTRIAL SEALS CATALOG

Алматы (7273)495-231
Ангарск (3955)60-70-56
Архангельск (8182)63-90-72
Астрахань (8512)99-46-04
Барнаул (3852)73-04-60
Белгород (4722)40-23-64
Благовещенск (4162)22-76-07
Брянск (4832)59-03-52
Владивосток (423)249-28-31
Владикавказ (8672)28-90-48
Владимир (4922)49-43-18
Волгоград (844)278-03-48
Вологда (8172)26-41-59
Воронеж (473)204-51-73
Екатеринбург (343)384-55-89

Иваново (4932)77-34-06
Ижевск (3412)26-03-58
Иркутск (395)279-98-46
Казань (843)206-01-48
Калининград (4012)72-03-81
Калуга (4842)92-23-67
Кемерово (3842)65-04-62
Киров (8332)68-02-04
Коломна (4966)23-41-49
Кострома (4942)77-07-48
Краснодар (861)203-40-90
Красноярск (391)204-63-61
Курск (4712)77-13-04
Курган (3522)50-90-47
Липецк (4742)52-20-81

Магнитогорск (3519)55-03-13
Москва (495)268-04-70
Мурманск (8152)59-64-93
Набережные Челны (8552)20-53-41
Нижегород (831)429-08-12
Новокузнецк (3843)20-46-81
Новый Орск (3496)41-32-12
Новосибирск (383)227-86-73
Омск (3812)21-46-40
Орел (4862)44-53-42
Оренбург (3532)37-68-04
Пенза (8412)22-31-16
Петрозаводск (8142)55-98-37
Псков (8112)59-10-37
Пермь (342)205-81-47

Ростов-на-Дону (863)308-18-15
Рязань (4912)46-61-64
Самара (846)206-03-16
Санкт-Петербург (812)309-46-40
Саратов (845)249-38-78
Севастополь (8692)22-31-93
Саранск (8342)22-96-24
Симферополь (3652)67-13-56
Смоленск (4812)29-41-54
Сочи (862)225-72-31
Ставрополь (8652)20-65-13
Сургут (3462)77-98-35
Сыктывкар (8212)25-95-17
Тамбов (4752)50-40-97
Тверь (4822)63-31-35

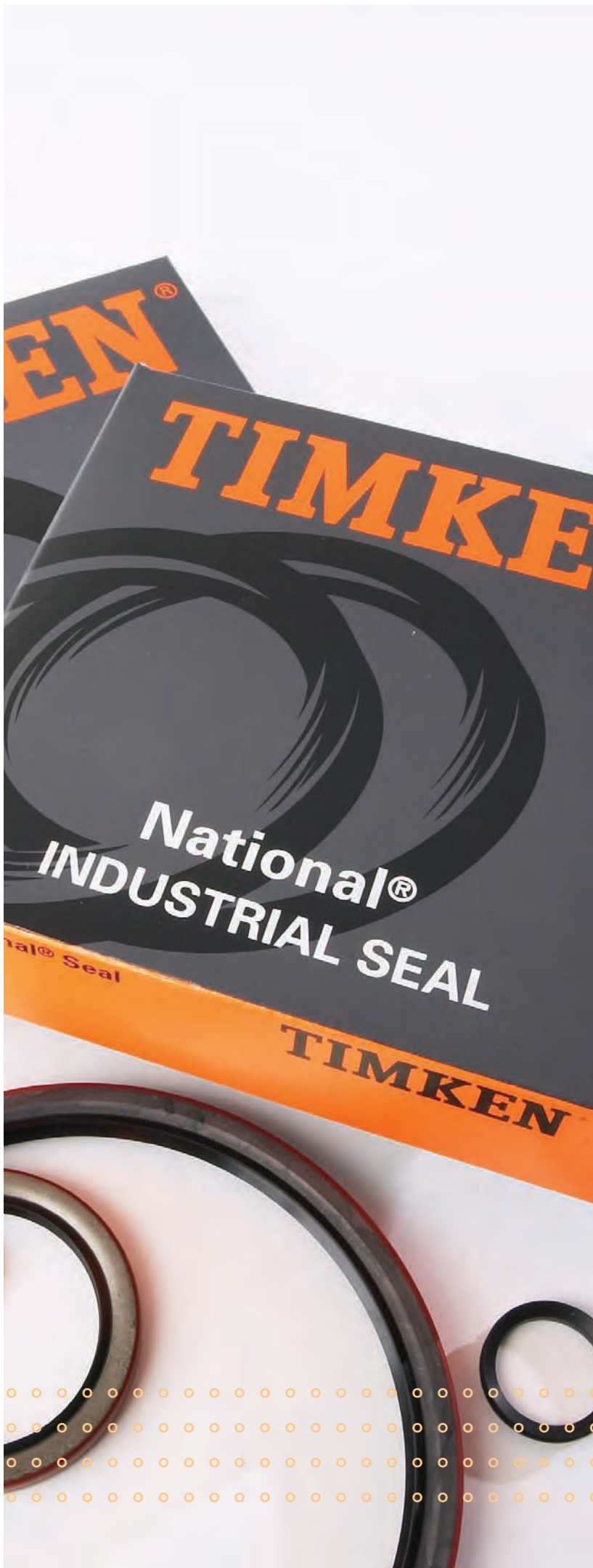
Тольятти (8482)63-91-07
Томск (3822)98-41-53
Тула (4872)33-79-87
Тюмень (3452)66-21-18
Ульяновск (8422)24-23-59
Улан-Удэ (3012)59-97-51
Уфа (347)229-48-12
Хабаровск (4212)92-98-04
Чебоксары (8352)28-53-07
Челябинск (351)202-03-61
Череповец (8202)49-02-64
Чита (3022)38-34-83
Якутск (4112)23-90-97
Ярославль (4852)69-52-93

Россия +7(495)268-04-70

Казахстан +7(7172)727-132

Киргизия +996(312)96-26-47

<https://timken.nt-rt.ru/> || tek@nt-rt.ru



Timken

*offers an extensive line of sealing solutions for original equipment manufacturers and the aftermarket. Our line of National® industrial seals is made from **innovative** materials and process solutions that **enhance** life and performance in many industrial applications. This line of industrial seals adds value to the company's portfolio of friction management solutions. The seals are backed by the company's experienced technical support and distribution networks, giving **distributors** a single source for a wide range of bearings and **value-added extras** to help keep equipment running optimally.*



TIMKEN



National[®] Industrial Seals

Redi-Seals®

Sealing Solutions Custom Made Overnight

Timken offers cost-effective and quick sealing solutions that help reduce downtime and help keep equipment running smoothly. Redi-Seals® help minimize downtime since they are available within 24 hours and in the right quantities – even a single seal.

Through an innovative manufacturing process, Redi-Seals are produced without long lead times, which offers distributors a more flexible and efficient way of doing business. Timken offers 11 types of Redi-Seals, custom made to fit your design, size, application, material and other specifications.

Redi-Seals are unique, high-quality sealing devices that require specific information before manufacturing. When ordering, you will need to specify the following information:

- Seal design or type
- Size: ranging from 0.827" (21mm) shaft to 13" (330mm) housing bore
- Inch or metric size
- Seal applications: industrial, agricultural or vehicular
- Seal material: Nitrile or Viton®
- Special features, including split seals

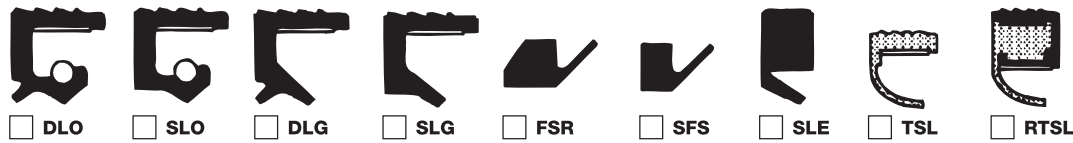


CUSTOM SEALS IN 24 HOURS

Redi-Seal Specification Checklist

Although Redi-Seals are manufactured to the same exacting standards and specifications as the stock product lines, exact dimensions are required before a seal can be made.

Please review the specifications manual before contacting Timken. A Zero Duplication™ seal may already meet your sealing requirements.



1. Choose a style. NOTE: SLO and DLO also are available in split designs.

2. Measure the required dimensions to the nearest 0.001" or 0.05mm.

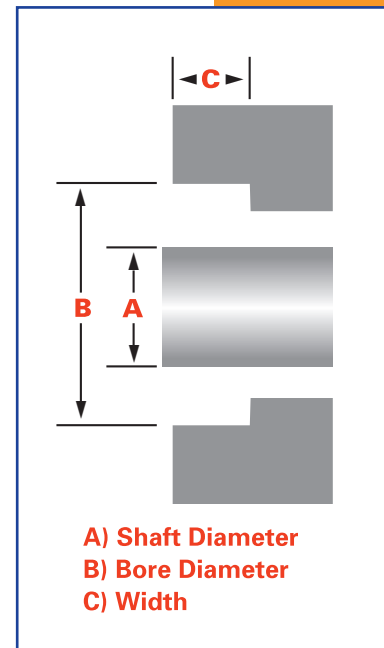
- Shaft Diameter _____
- Bore Diameter _____
- Width _____

3. Select the appropriate seal material

- Nitrile: -50° F to +250° F (-45° C to +121° C)
- Fluoroelastomer: -40° F to +400° F (-40° C to +205° C)
- PTFE: -650° F to +4500° F (-55° C to +232° C)
- R.O.D. PTFE (Type RTSL): -65° F to +300° F (-55° C to +150° C)

4. Note any important application details:

- Shaft Speed _____ RPM
- Temp Range _____
- Lubricant _____
- Comments _____



To order National industrial seals, contact your Timken sales representative or call 1.877.4.TIMKEN in the U.S. In Canada, call 1.800.565.4927 for English or 1.800.565.0438 for French-Canadian. Visit us on the Web at www.timken.com/industrialseals.

CAUTION: Redi-Seals are not recommended for the following applications:

- Rear-wheel bearing seals on rear-wheel drive vehicles
- Stub-shaft seals on front-wheel-drive vehicles
- Automatic transmission front pump seals
- Power steering pump seals
- Any nuclear applications
- Any aircraft/aviation/aerospace applications



Redi-Sleeves®

REPAIR DAMAGED SHAFTS ... OR PROTECT NEW ONES

Redi-Sleeves® offered by Timken are precision stainless steel wear sleeves, designed to be pressed onto a shaft to provide an enhanced sealing surface. Redi-Sleeves are fast, inexpensive repair options for grooved or worn shafts.

Redi-Sleeves are pressed onto a shaft where indications of seal wear, such as tracks or grooves, have developed. Using a Redi-Sleeve gives the shaft a smooth, ideal sealing surface.

Fast, Inexpensive Shaft Repairs

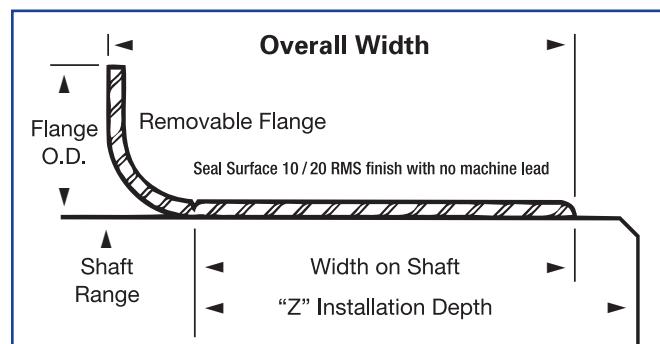
Timken's line of Redi-Sleeves are easy to install and feature a removable flange and an installation tool. When using Redi-Sleeves, you receive:

- Strong, durable stainless steel construction that provides a corrosion-free sealing surface
- Ultra-thin construction that allows original seal size to be used with minimal additional lip loading
- Redi-Sleeve sealing surfaces that are ground to a 10-20 microinch Ra (0.25-0.50 Micrometer Ra) finish without lead
- Options for shafts from 0.5" (12.7mm) to 8" (203mm) diameters



Redi-Sleeve Size Selection

Selecting the proper size Redi-Sleeve is key to making sure equipment is up and running faster. To select the correct size, measure the shaft diameter where the sleeve will be positioned – ahead of the wear path. Do not measure the track worn by the old seal. The shaft needs to be measured in three positions: 12 o'clock to 6 o'clock, 2 o'clock to 8 o'clock and 4 o'clock to 10 o'clock. Average the three readings together to compensate for possible shaft out of round or error in measurement. Use the averaged measurement to select a part number from the size chart provided.



To order National industrial seals, contact your Timken sales representative or call 1.877.4.TIMKEN in the U.S. In Canada, call 1.800.565.4927 for English or 1.800.565.0438 for French-Canadian. Visit us on the Web at www.timken.com/industrialseals.

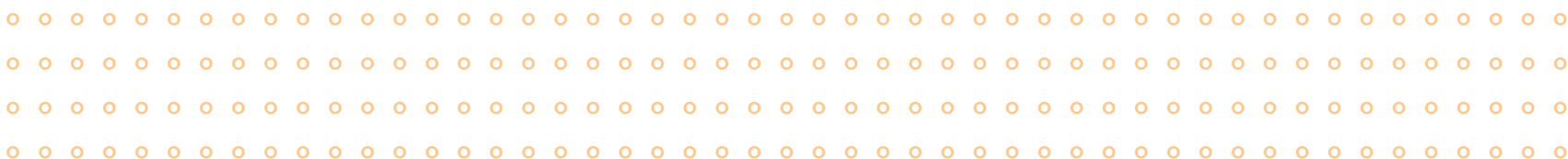
Shaft Repair Kits

Shaft Repair Kits provided by Timken save time and costly shaft replacements. These kits include the industry-tested, technician-approved seal in addition to a Redi-Sleeve.

To order National industrial seals, contact your Timken sales representative or call 1.877.4.TIMKEN in the U.S. In Canada, call 1.800.565.4927 for English or 1.800.565.0438 for French-Canadian. Visit us on the Web at www.timken.com/industrialseals.

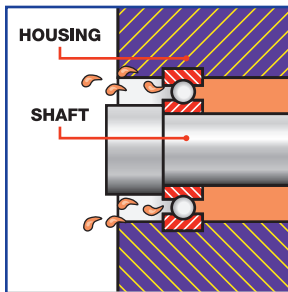


KIT INFORMATION			INCH				METRIC			
Kit Number	Seal	Redi-Sleeve	Shaft Size	Housing Bore	Outside Diameter	Width	Shaft Size	Housing Bore	Outside Diameter	Width
412920K	412920	99225	2.250	3.371	3.376	0.375	57,15	85,62	85,75	9,53
470380K	470380	99149	1.500	2.375	2.378	0.312	38,10	60,33	60,40	7,92
470625K	470625	99150	1.500	2.250	2.254	0.312	38,10	57,15	57,25	7,92
470712K	470712	99112	1.125	1.874	1.878	0.250	28,58	47,60	47,70	6,35
471255K	471255	99062	0.625	1.375	1.379	0.250	15,88	34,93	35,03	6,35
471271K	471271	99248	2.500	3.251	3.256	0.375	63,50	82,58	82,70	9,53
471272K	471272	99225	2.250	3.000	3.005	0.375	57,15	76,20	76,33	9,53
471413K	471413	99125	1.250	1.752	1.756	0.250	31,75	44,50	44,60	6,35
471652K	471652	99112	1.125	1.624	1.628	0.250	28,58	41,25	41,35	6,35
471750K	471750	99125	1.250	1.983	1.987	0.250	31,75	50,37	50,47	6,35
471766K	471766	99125	1.250	2.000	2.004	0.250	31,75	50,80	50,90	6,35
472258K	472258	99133	1.375	2.000	2.004	0.312	34,93	50,80	50,90	7,92

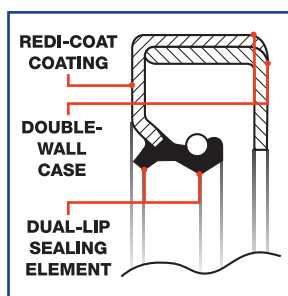


Zero Duplication™ Program

Keep lubricants and other critical fluids in, water and other contaminants out.



A seal keeps contaminants out and lubricants in to protect and extend bearing life.



Typical Zero Duplication seal design.

By consolidating your inventory into one systematic collection of premium-quality seals, the Zero Duplication program offered by Timken provides comprehensive coverage while minimizing the number of replacement seals you carry in inventory.

Zero Duplication is an effective way to do more with less. This program features a special selection of oil seals that are designed to meet the requirements of applications with shaft diameters up to 12" or 300mm – with zero duplication of comparable seals.



Improve Coverage and Reduce Inventory

Each Zero Duplication seal offered by Timken effectively replaces several similar seals, providing comprehensive application coverage with less inventory. This line of seals incorporates the most effective performance features in a range of common sizes.

Design Features*

Spring-loaded, dual-lip sealing element. Uses two sealing lips, one spring-loaded tightly against the shaft to retain lubricants, the other functioning as a contaminant excluder.

Double-wall case. Reduces deformation to the case during installation and forms a secure, stable base for optimum sealing element performance.

Exclusive Redi-Coat® coating. Seals minor bore defects to help ensure a tight, leak-proof seal.

Optional fluoroelastomer sealing element (available in selected part numbers in addition to standard Nitrile seals). Provides excellent high-temperature capabilities, good compatibility with a wide range of fluids and long life.

*Seal designs may vary. Not all features are used in all Zero Duplication seals.



MORE EFFICIENT, MORE PROFITABLE SEAL INVENTORY MANAGEMENT

Trust Zero Duplication Seals for Optimal Performance

Typically, a seal is replaced by an identical seal. Zero Duplication seals, however, offer performance equal and often superior to original seals. Even if the width, case design or sealing elements differ, Zero Duplication seals can provide optimal performance.

The Zero Duplication program offers tangible advantages for your customers:

- Faster, more responsive customer service
- Optimal seals for a wide range of applications
- The right seals in stock

Three Zero Duplication stocking plans have been developed to maximize coverage:

- **Gold** (up to 6"/160mm shaft sizes) – seals used in heavy industry (pulp and paper mills, ore processing, mining operations)
- **Silver** (up to 4"/100mm shaft sizes) – seals used in general industry (including heavy-duty, high-horsepower motors)
- **Bronze** (up to 2.5"/60mm shaft sizes) – seals used in light-duty service (including motion-control equipment, conveying operations)

We can also develop a customized Zero Duplication assortment based on an analysis of your present inventory.

Determining Zero Duplication Coverage

Zero Duplication seals are available to fit shafts from 0.250" to 12" in diameter and bore sizes from 0.499" to 14".

Any part number listed in the Industrial Seals catalog that is in bold-face type is a Zero Duplication seal.

To order National industrial seals, contact your Timken sales representative or call 1.877.4.TIMKEN in the U.S. In Canada, call 1.800.565.4927 for English or 1.800.565.0438 for French-Canadian.

Visit us on the Web at www.timken.com/industrialseals.

Advantages of the Zero Duplication program:

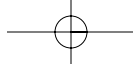
- Faster, more responsive service
- Simple, easy replacement seal selection
- Simplified ordering process
- Reduced acquisition costs
- Reduced storage costs and requirements
- Elimination of obsolete seals

27576 - 29840

Competitor Number	National Size & Type	Zero Duplication or Recommended Industrial
29292	416654	416654
29292	475012	416654
29300	416654	416654
29305	47665N	416654
29310	416654	416654
29316	416654	416654
29317	416654	416654
29317	475012	416654
29322	475012	416654
29360	475012	416654
29370	416654	416654
29371	416654	416654
29375	416654	416654

Zero Duplication part numbers are listed in bold-faced type.





Using This Catalog

COMPLETE PRODUCT SELECTION DATA

Product Specification Section

The Specification section contains complete product data for Timken's line of National industrial seals. Size Listings for each style and type of seal or sleeve, as well as Material and compound selection guide, Compound compatibility chart, Recommended operation conditions chart, Installation instructions and Troubleshooting guidelines, also are included.

The Specification section contains an introduction, technical sections, complete size listings, numerical index, and seal/component design illustrations. All numbers are listed by size sequence and by the part number sequence.

Example:

PART NUMBER: If a part number is known and dimensional data is required, consult the **NUMERICAL LISTING**

DIMENSIONS: If the dimensions of a seal are known and a part number is required, consult the **SIZE LISTING** for specific information

Interchange Guide

The Interchange guide will assist in converting a competitor's part number to a corresponding seal. Begin by finding the identical first character of the product number (whether a letter or a numeral). Part numbers beginning with a letter will be listed in alphabetic, then numeric order.

All part numbers comprising numerals only will be listed in strict numeric order. For instances in which a letter appears in the middle of a part number (for example, 7A2125), the part number with the letter will be listed before any part numbers with a numeral in the same sequential position.

Example: **7A2125**
71250

Part number 7A2125 will be listed before part number 71250

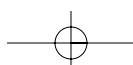


TABLE OF CONTENTS

SECTION 1 - TECHNICAL	Page Number
A Oil Seal Design and Selection	
- Types of Oil Seals	II
- National Seal Part Numbering System	II
- The Seal and Its Function	III
- National Oil Seal Design Description	IV-V
- Oil Seal Nomenclature and Components	VI
- Conversion Chart - RPM to FPM	VI
B Sealing Element Compounds	
- Materials and Compounds Available for Sealing Elements . . .	VII
- Compound Selection Chart	VIII-XIV
C Sealing System Preparation and Seal Installation	
- Storage and Handling of Oil Seals	XV
- Shaft Requirements	XVI
- Bore Requirements	XVII
- Installation of Seals, Procedures, Guidelines and Tools	XVIII
D General Information	
- Oil Seal Distress Analysis, Trouble Shooting Checklist	XIX
- Redi-Sleeves Installation and Removal	XX
- National Wear Sleeves Description, Installation and Removal .	XXI
- Seal Design Chart	XXII-XXIII
SECTION 2 - SIZE LISTING	
- Radial Shaft Seals	1-69
- Felt Seals	69
- Kits	70-71
- Wear Sleeves	72
- Redi-Sleeve™	73-75
- O-Rings	76-78
SECTION 3 - NUMERICAL LISTING	
- Radial Shaft Seals	79-135
- Felt Seals	135
- Kits	136-137
- Wear Sleeves	138
- Redi-Sleeve™	139-141
- O-Rings	142-145
SECTION 4 - INTERCHANGE GUIDE	
- Abbreviations To Manufacturers	146-148
- Alphabetical Listing	149-294
- Numerical Listing	294-670

SECTION 1-A TECHNICAL

OIL SEAL DESIGN AND SELECTION

TYPES OF OIL SEALS

While industry has generally preferred the double lip or single lip, spring loaded seals, a wide variety of types and styles are produced to satisfy various application requirements.

To simplify the identification process of the oil seals a Type/Illustration column has been included in the Size and Numerical Listings of this catalog. The Type/Illustration number refers to the Oil Seal Illustration Chart. Just find the number on the illustration chart and the configuration of the component can be identified.

The National® Oil Seal Design Description is provided to illustrate seal types and to provide operating data and limitations for typical applications. Factors relative to oil seal design and selection are also reviewed. After size, application and seal requirements are determined, the proper seal can be located in the Size Section. Likewise, when the National part number is known, the size and type can be easily located in the Numerical Section.

NATIONAL SEAL PART NUMBERING SYSTEM

The National Oil Seal Engineering Department assigns the part numbers for all general purpose and special purpose seals. Each type and size combination manufactured is identified by an individual part number.

Three numbering systems are generally used to identify National Oil Seals:

1. General Purpose Seals—Five or six digit numbers. The first one or two digits usually signify seal type or construction. The last four digits refer to a specific assigned shaft and bore size combination but do not indicate seal size. They are assigned in consecutive order as a new shaft/bore combination is established. It may be possible to interchange seals for which the first one or two digits are different but for which the following digits are the same. Such an interchange determination should be based on whether alternative seal designs would meet the requirements of the specific application. Letter suffixes to part numbers within this manual usually refer to the sealing lip compound used.
2. A four digit number system is used for some seals and general purpose seal kits with primarily automotive applications. The numbers have been assigned consecutively and do not relate to seal size.
3. Preassigned blocks of numbers are used to identify certain groups of miscellaneous and special purpose seals:

370000A — Wheel End Seals	200000 to 200500 — Triple Lip Designs
380000A — PTFE Wheel End Seals	200600 to 200899 — Triple Lip Designs External
39000 to 39999 — PTFE Seals	200900 to 200999 — Dual-Lip Design
410000 to 499999 — Plain Round	201000 to 205999 — Wheel Seals
710000 to 799999 — Misc. Round Application	220000 to 230000 — Automotive Metric
99000 — Redi Sleeves	J, JV, JX etc. — Wear Sleeves

If an oil seal has a prefix and/or suffix that is not included within this manual, contact your regional Timken Representative for more specific information.

OIL SEAL DESIGN AND SELECTION

THE SEAL AND ITS FUNCTION

Oil Seal Definition

As products, oil seals may be simply described as devices that close or *seal* the spaces between stationary and moving components in mechanical equipment . . . *they prevent lubricant from escaping.*

Oil seals often called grease, fluid or dirt seals are the vital components of practically every type of machine and vehicle in operation. These seals fulfill an exacting function . . . they protect all types of precision constructed, close fitting ball, sleeve and roller bearings.

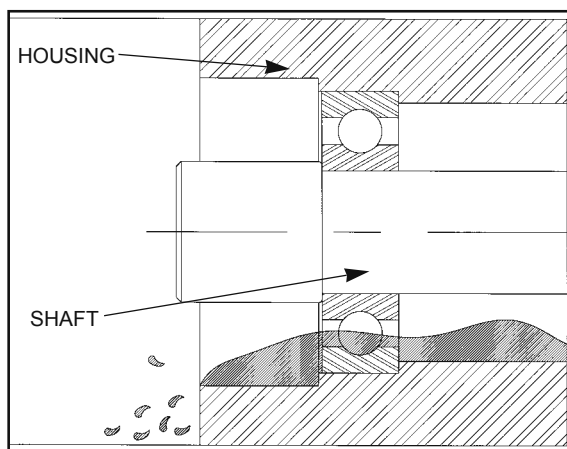
Oil Seal Function

Oil seals are used wherever shafts rotate and bearings require lubrication. In short, a seal is a barrier with three basic functions: 1) Retaining lubricants and liquids 2) Excluding contaminants 3) Seal or separate dissimilar fluids or gases.

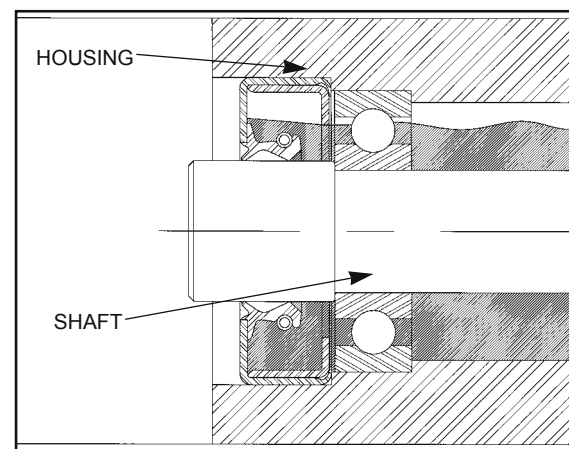
- Precision bearings rely on the oil seal to prevent lubricants from escaping the bearings or a specific area.
- Components of machines rely on the oil seal to prevent abrasives, corrosive moisture and other harmful contaminants from entering the mechanics of the machine.
- Separation of fluids and gases may completely rely on the seal to prevent intermixture of two different mediums such as lubricating oil and water.

Oil Seal In Use

In a typical application, the oil seal is installed adjacent to a bearing, sealing in or sealing out, as necessary, the various liquids, gases or solids encountered by the particular mechanism.



Without an oil seal . . . essential lubricant can escape through the bearing and . . . harmful dirt and foreign matter can enter.







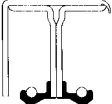
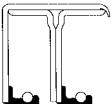

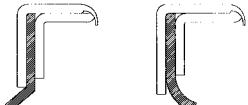


With a properly designed and fitted oil seal . . . the space between the housing and shaft is securely closed or sealed. Lubricant cannot escape . . . harmful dirt and foreign matter cannot enter.

SECTION 1-A TECHNICAL

OIL SEAL DESIGN AND SELECTION

NATIONAL OIL SEAL DESIGN TYPE DESCRIPTION

Type Description	Representative Cross-Sections of Sealing Elements	Type Numbers	Shaft Speeds Feet Per Minute
Spring Loaded Design Single Lip		5L, 5S, 33, 35, 45, 48, 51, 54, 62, 75, 83, 91, 100	3000
Spring Loaded Design Multi-Lip		1L, 1S, 2L, 2S, 3L, 21, 25, 30, 32, 40, 41, 43, 47, 52, 56, 57, 59, 61, 66, 68, 69, 70, 71, 72, 74, 76, 78, 79, 86, 87, 88, 90, 92, 93, 94, 96, 99	3000
Spring Loaded "Convolute" Design		64, 65	3000
Springless Designs Single-Lip For Grease Retention And Slow Speed Applications		4L, 4S, 24, 29, 31, 34, 44, 201, 203, 204, 205, 230, 271, 272, 273, 277, 278, 279, 283, 290	2000 Type 4L 1000
Springless Designs Multi-Lip For Grease Retention And Slow Speed Applications		49, 97, 98, 274, 276, 280, 281, 282, 284, 285, 286, 287	2000
External Lip To Seal At Bore Slow Speed Applications		8L, 8S, 26, 36, 46, 200, 200E	750
Spring Loaded Dual Opposing Lips Separates 2 Fluids		7L, 7S	3000
Dual Spring Loaded Same Direction Inner Lip Stems Lube Surges		9L, 9S	3000
Utilized Oil Bath Seal Design H.D. Truck & Trailer Hubs		37-1,2,3,4,5,6,7,8,9,10,11,12	3000
General Purpose PTFE Design		D, F, P, W	6500

VAMAC® THE REGISTERED TRADEMARK OF E I DUPONT
AFLAS® IS A REGISTERED TRADEMARK OF 3M COMPANY

SECTION 1-A TECHNICAL



OIL SEAL DESIGN AND SELECTION

NATIONAL OIL SEAL DESIGN TYPE DESCRIPTION

Maximum Pressure PSI @ FPM	Shaft Finish (Micro Inch) μ	Shaft Hardness	STBM Maximum (Shaft to Bore Misalignment @ RPM)	Maximum Shaft Dynamic Runout (DRO)
7 @ 1000 FPM 5 @ 2000 FPM 3 @ 3000 FPM	10-20	Above Rockwell C-45	.015"ECC @ 800 RPM .010" ECC @ 4200 RPM	.025" TIR @ 800 RPM .020" TIR @ 2200 RPM .015" TIR @ 4200 RPM
7 @ 1000 FPM 5 @ 2000 FPM 3 @ 3000 FPM	10-20	Above Rockwell C-45	.015"ECC @ 800 RPM .010"ECC @ 4200 RPM	.025" TIR @ 800 RPM
7 @ 1000 FPM 5 @ 2000 FPM 3 @ 3000 FPM	10-20	Above Rockwell C-45	.020"ECC @ 4200 RPM	.060" TIR @ 4200 RPM
Atmospheric	10-25	Above Rockwell C-45	.005"ECC	.005" TIR
Atmospheric	10-25	Above Rockwell C-45	.005"ECC	.005" TIR
Atmospheric	10-25	Above Rockwell C-45	.010"ECC	.010" TIR
7 @ 1000 FPM 5 @ 2000 FPM 3 @ 3000 FPM	10-20	Above Rockwell C-45	.015" ECC @ 800 RPM .010" ECC @ 4200 RPM	.025" TIR @ 800 RPM .020" TIR @ 2200 RPM .015" TIR @ 4200 RPM
7 @ 1000 FPM 5 @ 2000 FPM 3 @ 3000 FPM	10-20	Above Rockwell C-45	.015" ECC @ 800 RPM .010" ECC @ 4200 RPM	.025" TIR @ 800 RPM .020" TIR @ 2200 RPM .015" TIR @ 4200 RPM
2 @ 2000 FP	100 Max.	Above Rockwell C-45	.010"ECC Max.	.015" TIR
35 @ 6500 FP	25 Max.	Above Rockwell C-45	.025" ECC Max.	.015" TIR

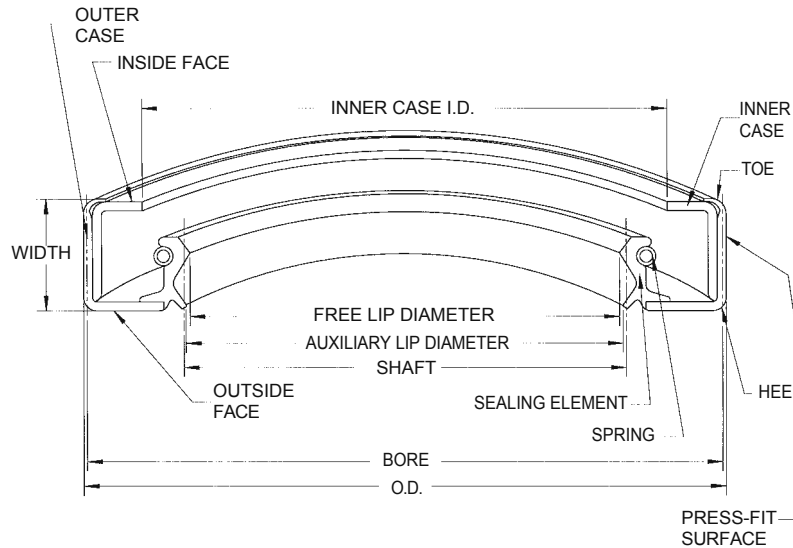
TECHNICAL SECTION

SECTION 1-A TECHNICAL

OIL SEAL DESIGN AND SELECTION

OIL SEAL NOMENCLATURE AND COMPONENTS

The Society of Automotive Engineers (SAE) and the American Society of Testing Materials (ASTM) have developed and adapted a standard to identify component parts that make up an oil seal, as well as terminology and basic lip seal designs.



CONVERSION CHART - RPM TO FPM

Shaft Diameter is in inches

SHAFT DIAMETER

SPEED RANGE	RPM	1/2"	3/4"	1"	1-1/4"	1-1/2"	1-3/4"	2"	2-1/2"	3"	3-1/2"	4"	5"	6"	7"	8"	9"	10"	
	SLOW	100	13	20	26	33	39	46	52	65	79	92	105	131	157	183	209	236	262
300		39	59	79	98	118	137	157	196	236	275	314	393	471	550	628	707	785	
500		65	98	131	164	196	229	262	327	393	458	524	654	785	916	1047	1178	1309	
1000		131	196	262	327	393	458	524	654	785	916	1047	1309	1571	1833	2094	2356	2618	
1500		196	295	393	491	589	687	785	982	1178	1374	1571	1963	2356	2749				
2000		262	393	524	654	785	916	1047	1309	1571	1833	2094	2618						
2500		327	491	654	818	982	1145	1309	1636	1963	2291	2618							
3000		393	589	785	982	1178	1374	1571	1963	2356	2749								
3500		458	687	916	1145	1374	1604	1833	2291	2749									
4000		524	785	1047	1309	1571	1833	2094	2618										
MODERATE	4500	589	884	1178	1473	1767	2062	2356	2945										
	5000	654	982	1309	1636	1963	2291	2618											
	6000	785	1178	1571	1963	2356	2749												
	7000	916	1374	1833	2291	2749													
	8000	1047	1571	2094	2618														
	9000	1178	1767	2356	2945														
	10000	1309	1963	2618															
	12000	1571	2356																
	14000	1833	2749																
	16000	2094																	
HIGH	18000	2356																	
	20000	2618																	

This table is carried out to the limits of the recommended speeds expressed in FPM (feet-per-minute) for seals of standard construction. Sizes and speeds beyond this table require special analysis of all conditions related to the application. For intermediate shaft sizes of RPM, the standard procedure of interpolation will apply.

SECTION 1-B TECHNICAL



Sealing Element Compounds

MATERIALS AND COMPOUNDS AVAILABLE FOR SEALING ELEMENTS

The environments in which a seal will operate should be determined before selecting the sealing element or lip material. Two of the most important factors in material selection are Lubricant Temperature and Type.

National Oil Seals offer a variety of sealing lip materials and compounds. The temperature limitations and fluid/lubricant compatibility for most compounds are shown within the Compound Selection Chart on the following pages.

National Seals are used in a wide range of applications. The seal is part of a system and is dependent on proper shaft and bore operation to function correctly.

Runout, lubrication, shaft-to-bore misalignment, shaft speed, temperature, and other factors vary greatly from one application to another and each may affect the seal's life. In a perfect system, these factors would be nominalized to achieve maximum life for all components. To assist our customers in getting maximum performance from their sealing system, we have provided recommendations below.

Operating a seal at one extreme condition will have a small effect on seal life. However, when a seal is operating at multiple extremes in the system, it will have a much greater impact on performance. Therefore, we ask you to use the following recommendations as a guide to achieving the maximum performance from your seal. Each material or compound has been assigned a specific letter code and is referenced in various tables and listings throughout this manual.

Compound	Code	Advantages	Disadvantages/Limitations	Range	Substitute	Code
Felt	F	Adequate seal for heavy lubricants. Primarily a wiper seal.	Poor performance at low shaft speeds. Inadequate when excessive moisture is present.	-65°F to 200°F -48°C to 93°C	Nitrile Polyacrylic Vamac® Fluoroelastomer Aflas® PTFE	S N E V A T
Leather	L	Good dry running capabilities.	Poor heat resistance. More expensive than Nitrile.	-50°F to 200°F -46°C to 93°C	Nitrile Polyacrylic Vamac® Fluoroelastomer Aflas® PTFE	S N E V A T
Urethane	U	Good lubricant and ozone resistance. Good abrasion resistance. Durable, less susceptible to damage during installation than Silicone	Undergoes substantial softening above 250°F Poor resistance to hot water or steam.	Dependent upon exact compound and usage.	None	
Nitrile	S	Low cost. Good low temp. capability. Low swell in hydrocarbon fluids.	Does not have excellent heat resistance. Poor resistance to lubricants containing sulphur or EP additives, hydrocarbons/oxygenate blends (gasoline/methanol). Poor ozone resistance.	-40°F to 225°F -40°C to 107°C	Polyacrylic Vamac® Fluoroelastomer Aflas® PTFE	N E V A T
Polyacrylate	N	Resistance to EP lubricants. Higher heat capabilities than Nitrile. Low swell in hydrocarbon fluids.	Limited low temperature capability. Poor dry running capability. Subject to attack in aqueous media. Higher cost than Nitrile	-20°F to 300°F -29°C to 149°C	Vamac® Fluoroelastomer Aflas® PTFE	E V A T
Ethylene-Acrylic (Vamac®)	E	Higher heat capabilities than Nitrile or Polyacrylic. Better low temp. performance than Polyacrylic. Good abrasion and dry running capability. Intermediate cost.	High swell in hydrocarbon fluids. Limited capabilities to follow eccentric shafts or perform in high frequency applications.	-30°F to 325°F -34°C to 163°C	Fluoroelastomer Aflas® PTFE	V A T
Silicone	H	Good dry heat resistance. Excellent low temperature capability.	Easily damaged during installation. Poor chemical resistance to certain EP additives and oxidized oil. High swell, poor dry running performance Higher cost than Nitrile.	-80°F to 350°F -62°C to 176°C	Fluoroelastomer Aflas® PTFE	V A T
Fluoro-Elastomer	V	Excellent high temperature capabilities. Compatible with wide range of fluids. Very long life.	Poor resistance to basic (high pH>7) fluids. Attack by high performance gear lubes. Expensive relative to other materials.	-40°F to 400°F -40°C to 204°C	Aflas® PTFE	A T
Tetrafluoro-Ethylene Propylene (Aflas®)	A	Better chemical resistance to all hydrocarbon fluids, acids, bases and oxidizing agents than Fluoroelastomers. Capable of performing in the complete range of hydraulic fluids. Continuous heat resistance over 400°F. Fair dry abrasion and radiation resistance.	Poor chemical resistance to hydrocarbon/oxygenate blends (gasoline/methanol). Poor low temperature capabilities. More expensive than Fluoroelastomers.	-30°F to 400°F -34°C to 204°C	PTFE	T
PTFE	T	Excellent dry running capabilities. Low coefficient of friction. Excellent chemical resistance. Resistant to hydrocarbon/oxygenate blends.	Poor abrasion resistance to dirty environments. High thermal expansion. Susceptible to damage during installation.	-100°F to 450°F -73°C to 232°C	None	

VAMAC® THE REGISTERED TRADEMARK OF E I DUPONT
AFLAS® IS A REGISTERED TRADEMARK OF 3M COMPANY

SECTION 1-B TECHNICAL

SEALING ELEMENT COMPOUNDS

Compound Selection Chart

Properties	S Nitrile	N Acrylates	E Vamac®	H Silicone	V Fluoroelastomers	A Aflas®
Durometer	60-80	70-75	70-90	80-90	75-85	75-95
Oil Resistance	Very Good	Fair	Good	Fair	Excellent	Excellent
Abrasion Resistance	Excellent	Fair	Good	Poor	Good	Good
Max. Service Temp.	225°F	300°F	325°F	350°F	400°F	400°F
Min. Service Temp.	-40°F	-20°F	-30°F	-80°F	-40°F	-30°F

Ratings: 1 = Minor effect 2 = Moderate effect 3 = Static only 4 = Not Recommended — = insufficient data

Elastomer	S	N	E	H	V	A	Elastomer	S	N	E	H	V	A
Acetaldehyde	4	4	3	2	4	4	Aroclor, 1260	1	4	4	2	1	1
Acetamide	1	4	1	2	2	1	Arsenic Acid	1	3	4	1	1	1
Acetic Acid, Glacial	3	4	4	2	3	4	Arsenic Trichloride (aq)	1	—	—	—	—	—
Acetic Acid, 30%	2	4	3	1	2	4	Askarel	2	4	4	4	1	1
Acetic Anhydride	3	4	3	3	4	4	Asphalt	2	2	—	4	1	1
Acetone	4	4	4	3	4	4	ASTM Method D-471						
Acetophenone	4	4	4	4	4	4	1.....	1	1	1	3	1	1
Acetyl Chloride	4	4	4	3	1	1	2.....	1	1	2	3	1	1
Acetylene	1	4	4	2	1	1	3.....	1	1	3	3	1	2
Acrylonitrile	4	4	4	4	3	2	ASTM #4 Method D-471	2	—	—	4	1	—
Adipic Acid	1	—	2	2	—	1	ASTM Ref Fuel A						
Aero Shell 17 Grease	1	—	2	4	1	1	(MIL-2-3136B (Type 1))	1	2	2	4	1	2
Aero Shell 750	2	—	2	4	1	1	ASTM Ref Fuel B						
Aero Shell 7 A Grease	1	—	2	2	1	1	(MIL-S-3136B (Type 3))	1	—	2	4	1	2
Aero Shell IAC	1	—	—	—	1	1	ASTM Reference Fuel C	2	4	3	4	1	2
Alkazine							ATF Type (Mercon)	1	1	2	2	1	1
(Dibromoethylbenzene)	4	4	4	4	2	2	ATF Type A	1	1	2	2	1	1
Alum-NH ₃ -Cr-K(aq)	1	4	4	1	4	2	ATF Type F	1	1	2	2	1	1
Aluminum Acetate (aq)	2	4	4	4	4	3	ATF Type I	1	1	2	2	1	1
Aluminum Chloride (aq)	1	1	1	2	1	1	ATF Type II	1	1	2	2	1	1
Aluminum Fluoride (aq)	1	—	—	2	1	1	Automotive Brake Fluid	4	—	4	4	4	4
Aluminum Nitrate (aq)	1	—	—	2	1	1	Banana Oil (Amyl Acetate)	4	4	4	4	4	4
Aluminum Phosphate (aq)	1	—	—	1	1	1	Barium Chloride (aq)	1	1	2	1	1	1
Aluminum Sulfate (aq)	1	4	1	1	1	1	Barium Hydroxide (aq)	1	4	2	1	1	1
Ammonia Anhydrous	2	4	4	3	4	1	Barium Sulfate (aq)	1	4	2	1	1	1
Ammonia Gas (Cold)	1	4	4	1	4	1	Barium Sulfide (aq)	1	4	2	1	1	1
Ammonia Gas (Hot)	4	4	4	1	4	1	Beer	1	4	1	1	1	1
Ammonium Carbonate (aq)	4	4	4	—	—	1	Beet Sugar Liquors	1	4	2	1	1	1
Ammonium Chloride (aq)	1	—	1	—	1	1	Benzaldehyde	4	4	4	2	4	4
Ammonium Hydroxide (conc)	4	4	4	1	2	1	Benzene	4	4	4	4	1	2
Ammonium Nitrate (aq)	1	2	2	—	—	1	Benzene Sulfonic Acid	4	4	4	4	1	1
Ammonium Nitrite (aq)	1	—	—	2	—	1	Benzine (Ligroin)						
Ammonium Persulfate (aq)	4	4	—	—	—	1	(Nirtobenzine) (Pet Ether)	1	1	—	4	1	1
Ammonium Phosphate (aq)	1	—	—	1	—	1	Benzoic Acid	3	3	2	3	1	1
Ammonium Sulfate (aq)	1	4	1	—	4	1	Benzoyl Chloride	4	4	4	—	1	1
Amyl Acetate (Banana Oil)	4	4	4	4	4	4	Benzyl Alcohol	4	4	4	2	1	2
Amyl Alcohol	2	4	4	4	2	3	Benzyl Benzoate	4	4	4	—	1	1
Amyl Borate	1	—	—	—	1	1	Benzyl Chloride	4	4	4	4	1	1
Amyl Chloronaphthalene	4	4	4	4	1	2	Biphenyl (Diphenyl)						
Amyl Naphthalene	4	2	3	4	1	1	(Phenylbenzene)	4	4	4	4	1	1
Aniline	4	4	4	4	3	1	Blast Furnace Gas	4	4	4	1	1	1
Aniline Dyes	4	—	4	4	4	1	Bleach Solutions	4	4	4	2	1	1
Aniline Hydrochloride	4	4	4	3	2	2	Borax	2	2	1	2	1	1
ANILINE OILS	2	4	2	4	2	1	Bordeaux Mixture	2	4	4	2	1	1
Animal Fats	2	1	4	2	1	1	Boric Acid	1	4	1	1	1	1
Ansul Ether (Anesthetics)	1	4	1	4	4	4	Brake Fluid (Non-Petroleum)	4	—	4	4	4	4
API GL-5	3	1	4	4	1	1	Brake Fluid (Wagner 21B)	3	—	4	3	4	3
Aqua Regina	4	4	4	4	2	2	Brine	1	4	3	1	1	1
Aroclor, 1248	3	4	4	2	1	1	Bromine-Anhydrous	4	4	4	4	1	1
Aroclor, 1254	4	4	4	3	1	1	Bromine Trifluoride	4	4	4	4	4	2
							Bromine Water	4	4	4	4	1	1
							Bromobenzene	4	4	4	4	1	1
							Bunker Oil	1	1	2	2	1	1

SECTION 1-B TECHNICAL



Properties	S Nitrile	N Acrylates	E Vamac®	H Silicone	V Fluoroelastomers	A Aflas®
Ratings:	1 = Minor effect	2 = Moderate effect	3 = Static only	4 = Not Recommended	— = insufficient data	
Elastomer	S	N	E	H	V	A
Butadiene	4	4	4	4	1	1
Butane	1	1	2	4	1	1
Butter (Animal Fat)	1	1	1	2	1	1
Butyl Acetate	4	4	4	4	4	4
Butyl Acetyl Ricinoleate	3	—	—	—	1	—
Butyl Acrylate	4	4	4	—	4	4
Butyl Alcohol	1	4	1	2	1	1
Butyl Amine	3	4	4	4	4	2
Butyl Benzoate	4	4	4	—	1	1
Butyl Carbitol	4	4	4	4	1	4
Butyl Cellosolve	3	4	4	—	4	4
Butyl Oleate	4	—	2	—	1	1
Butyl Stearate	2	—	1	—	1	1
Butylene	2	4	1	4	1	1
Butyraldehyde	4	4	4	4	4	2
Calcium Acetate(aq)	2	4	4	4	4	3
Calcium Bisulfite (aq)	4	4	2	1	1	1
Calcium Carbonate	1	—	1	1	1	1
Calcium Chloride (aq)	1	1	1	1	1	1
Calcium Hydroxide (aq)	1	4	2	1	1	1
Calcium Hypochlorite (aq)	2	4	2	2	1	1
Calcium Nitrate (aq)	1	1	1	2	1	1
Calcium Phosphate	1	—	1	1	1	1
Calcium Salts	1	—	1	—	—	—
Calcium Sulfide (aq)	1	4	4	2	1	1
Cane Sugar Liquors	1	4	1	1	1	1
Carbamate	3	4	4	—	1	1
Carbitol	2	4	3	2	2	4
Carbolic Acid (Phenol)	4	4	4	4	1	1
Carbon Bisulfide	3	3	4	4	1	1
Carbon Dioxide	1	—	1	2	1	1
Carbonic Acid	2	1	1	1	1	1
Carbon Monoxide	1	—	1	1	1	1
Carbon Tetrachloride	3	4	4	4	1	4
Castor Oil	1	1	2	1	1	1
Cellosolve	4	4	4	4	3	4
Cellosolve Acetate	4	4	4	4	4	4
Cellulube (Fryquel)	4	4	4	1	1	1
China Wood Oil (Tung Oil)	1	—	2	4	1	1
Chlorine (Dry)	4	4	4	4	1	1
Chlorine (Wet)	4	4	4	4	1	1
Chlorine Dioxide	4	4	4	—	1	1
Chlorine Trifluoride	4	4	4	4	4	4
Chloroacetic Acid	4	4	4	—	4	4
Chloroacetone	4	4	4	4	4	4
Chlorobenzene	4	4	4	4	1	1
Chlorobromomethane	4	4	4	4	1	1
Chlorobutadiene	4	4	4	4	1	1
Chlorododecane	4	4	4	4	1	1
Chloroform	4	4	4	4	1	4
O-Chloronaphthalene	4	4	4	4	1	1
1-Chloro-1-Nitro Ethane	4	4	4	4	4	2
Chlorosulfonic Acid	4	4	4	4	4	2
Chlorotoluene	4	4	4	4	1	2
Chlorox (Sodium Hypochlorite NaOCl)	2	4	4	2	1	1
Chrome Plating Solutions	4	4	4	2	1	1
Chromic Acid	4	4	4	3	1	1
Citric Acid	1	—	1	1	1	1
Coal Tar (Creosote)	1	1	4	1	1	1
Cobalt Chloride (aq)	1	4	4	2	1	1
Elastomer	S	N	E	H	V	A
Cocoonut Oil	1	1	1	1	1	1
Cod Liver Oil	1	1	2	2	1	1
Coke Oven Gas	4	4	3	2	1	1
Copper Acetate (aq)	2	4	4	4	4	4
Copper Chloride (aq)	1	1	1	1	1	1
Copper Cyanide (aq)	1	1	2	1	1	1
Copper Sulfate (aq)	1	4	1	1	1	1
Corn Oil	1	1	1	1	1	1
Cottonseed Oil	1	1	1	1	1	1
Creosote (Coal Tar)	1	1	4	4	1	1
Cresol	4	4	4	4	1	1
Cresylic Acid	4	4	4	4	1	1
Crude Oil	2	—	2	4	1	1
Cumene	4	4	4	4	1	1
Cutting Oil	1	—	2	4	1	1
Cyclohexane	1	1	3	4	1	2
Cyclohexanol	3	—	1	4	1	2
Cyclohexanone	4	4	4	4	4	2
P-Cymene	4	4	4	4	1	1
DC44M Hi Temp Silicone Grease	3	3	3	3	1	1
Decaline	4	—	—	4	1	1
Decane	1	1	2	2	1	2
Delco Brake Fluid	4	—	4	4	4	4
Denatured Alcohol	1	4	3	1	1	1
Detergent Solutions	1	4	1	1	1	1
Developing Fluids	1	—	2	1	1	1
Dextron	1	—	2	4	1	1
Diacetone	4	4	4	4	4	4
Diacetone Alcohol	4	4	4	2	4	4
Dibenzyl Ether	4	—	4	—	4	4
Dibenzyl Sebecate	4	4	4	3	2	2
Dibromoethylbenzene (Alkazene)	4	4	4	4	2	2
Dibutyl Amine	4	4	4	3	4	1
Dibutyl Ether	4	3	4	4	3	2
Dibutyl Phthalate	4	4	4	2	3	1
Dibutyl Sebecate	4	4	4	2	2	1
O-Dichlorobenzene	4	4	4	4	1	1
Dichloro-Isopropyl Ether	4	3	4	4	3	4
Dicyclohexylamine	3	4	—	—	4	1
Diesel Oil	1	1	1	4	1	2
Di-Ester Lubricant (MIL-L-7808)	2	—	4	4	1	2 or 3
Di-Ester Synthetic Lubricant	2	—	4	4	1	2 or 3
Diethylamine	2	4	4	2	4	1
Diethyl Benzene	4	—	—	4	1	1
Diethyl Ether	4	3	4	4	4	4
Diethylene Glycol	1	2	1	2	1	1
Diethyl Sebecate	2	4	4	2	2	1
Diisobutylene	2	4	4	4	1	1
Diisopropyl Benzene	4	—	—	—	1	1
Diisopropyl Ketone	4	4	4	4	4	4
Diisopropylidene Acetone (Phorone)	4	4	4	4	4	4
Dimethyl Aniline (Xylidine)	3	4	4	4	4	2
Diethyl Ether (Methyl Ether) (Monomethyl Ether)	1	4	4	1	1	3
Dimethyl Formamide	2	4	3	2	4	4
Dimethyl Phthalate	4	4	4	—	2	1
Dinitrotoluene	4	4	4	4	4	4
Diocetyl Phthalate	3	4	4	3	2	1

TECHNICAL SECTION

SECTION 1-B TECHNICAL

Properties	S Nitrile	N Acrylates	E Vamac®	H Silicone	V Fluoroelastomers	A Aflas®							
Ratings:	1 = Minor effect	2 = Moderate effect	3 = Static only	4 = Not Recommended	— = insufficient data								
Elastomer	S	N	E	H	V	A	Elastomer	S	N	E	H	V	A
Diocetyl Sebecate	4	4	4	3	2	1	Fluorolube	1	—	4	1	2	2
Dioxane	4	4	4	4	4	4	Fluorosilicic Acid (Hydrofluosilicic Acid)	1	—	2	4	1	1
Dioxalane	4	4	4	4	4	4	Formaldehyde (RT)	3	4	4	2	4	3
Dipentene	2	4	4	4	1	1	Formic Acid	2	—	2	2	3	2
Diphenyl (Biphenyl) (Phenylbenzene)	4	4	4	4	1	1	Freon 11	2	—	3	4	1	4
Diphenyl Oxides	4	4	4	3	1	1	Freon 12	1	1	3	4	2	4
Dowtherm Oil	4	4	2	3	1	1	Freon 13	1	—	3	4	1	4
Drink Water (See Note Re. Water)	1	—	1	1	1	1	Freon 21	4	—	3	4	4	4
Dry Cleaning Fluids	3	4	3	4	1	2	Freon 22	4	2	4	4	4	4
Elco 28-EP Lubricant	1	—	1	4	1	1	Freon 31	4	—	3	—	4	4
Engine Oil (Diester Motor Oil) . 2	1	1	2	1	1	1	Freon 32	1	—	3	—	4	4
Engine Oil (Hydrocarbon Motor Oil)	1	1	1	1	1	1	Freon 112	3	—	3	4	1	4
Epichlorohydrin	4	4	4	4	4	4	Freon 113	1	—	3	4	2	4
EP Lubes	2	1	2	4	1	1	Freon 114	1	—	3	4	2	4
ESSO GX 80W90 (GL-5)	2	1	2	4	1	1	Freon 115	1	—	3	—	1	4
ESSO Motor Oil	1	—	1	4	1	1	Freon 134A	4	4	2	4	4	4
ESSO Transmission Fluid (TYPE A)	1	—	2	4	1	1	Freon 142b	1	—	3	—	4	4
ESSO XP90 EP Lubricant	1	—	2	4	1	1	Freon 152a	1	—	3	—	4	4
Ethane	1	1	2	4	1	1	Freon 218	1	—	3	—	1	4
Ethanol (Ethyl Alcohol)	1	4	3	1	3	2	Freon C316	1	—	3	—	—	4
Ethanolamine	2	4	4	2	4	1	Freon C318	1	—	3	—	2	4
Ethyl Acetate	4	4	4	2	4	4	Freon 1381	1	—	3	4	1	4
Ethyl Acetoacetate	4	4	4	2	4	4	Freon 114B2	2	—	3	4	2	4
Ethyl Acrylate	4	4	4	2	4	2	Freon 502	2	—	3	—	2	4
Ethyl Alcohol	1	4	3	1	3	1	Freon TF	1	—	3	4	2	4
Ethyl Benzene	4	4	4	4	1	2	Freon T-WD602	2	—	3	4	1	4
Ethyl Benzoate	4	4	3	4	1	2	Freon TMC	2	—	3	3	1	4
Ethyl Cellosolve	4	4	4	4	4	4	Freon T-P35	1	—	3	1	1	4
Ethyl Cellulose	2	4	3	3	4	1	Freon TA	1	—	3	3	3	4
Ethyl Chloride	1	4	4	4	1	1	Freon TC	1	—	3	4	1	4
Ethyl Chlorocarbonate	4	4	4	4	1	1	Freon MF	1	—	3	4	2	4
Ethyl Chloroformate	4	4	4	4	4	4	Freon BF	2	—	3	4	1	4
Ethyl Ether	3	4	4	4	4	4	Fuel Oil	1	1	1	4	1	1
Ethyl Formate	4	—	4	—	1	4	Fumaric Acid	1	4	—	2	1	1
Ethyl Mercapton	4	—	4	3	2	1	Furan, Furfuran	4	4	4	—	—	4
Ethyl Oxalate	4	4	4	4	1	1	Furfural	4	4	4	4	4	4
Ethyl Pentachlorobenzene	4	4	4	4	1	1	Fyrquel (Cellulube)	4	4	—	1	1	1
Ethyl Silicate	1	—	—	—	1	1	Gallic Acid	2	4	4	—	1	1
Ethylene	1	—	4	—	1	1	Gasohol (10% Ethanol Ormethanol)	2	4	4	4	1	2
Ethylene Chloride	4	4	4	4	2	1	Gasoline (Lead And No-lead) . 2	4	4	3	4	3	2
Ethylene Chlorohydrin	4	4	4	2	1	2	Gasoline	2	4	2	4	1	1
Ethylene Diamine	1	4	4	1	4	1	Gelatin	1	4	1	1	1	1
Ethylene Dichloride	4	4	4	4	1	1	Glauber's Salt (aq)	4	4	1	—	1	1
Ethylene Glycol	1	3	1	1	1	1	Glucose	1	—	1	1	1	1
Ethylene Oxide	4	4	4	4	4	4	Glue	1	—	1	1	1	1
Ethylene Trichloride	4	4	4	4	1	1	Glycerine	1	3	1	1	1	1
Fatty Acids	2	—	1	3	1	1	Glycols	1	4	1	1	1	1
Ferric Chloride (aq)	1	1	2	2	1	1	Grease	1	2	2	1	1	1
Ferric Nitrate (aq)	1	1	2	3	1	1	Green Sulfate Liquor	2	2	1	1	1	1
Ferric Sulfate (aq)	1	1	2	2	1	1	Gulf High Temperature Grease	1	—	1	4	1	1
Fish Oil	1	—	—	1	1	1	Halowax Oil	4	—	—	4	1	1
Fluorinated Cyclic Ethers	—	—	4	—	—	4	N-Hexaldehyde	4	—	2	2	4	3
Fluorine (Liquid)	4	4	4	4	2	2	Hexane	1	1	1	4	1	2
Fluorobenzene	4	4	4	4	1	1	N-Hexene-1	2	1	1	4	1	1
Fluoroboric Acid	1	—	—	—	—	1	Hexyl Alcohol	1	4	1	2	1	1
Fluorocarbon Oils	—	—	4	—	—	3	High Viscosity Lubricant, H2 . . 1	—	—	1	1	1	1
							High Viscosity Lubricant, U4 . . 1	—	—	1	1	1	1
							Hydrazine	2	—	—	3	4	3
							Hydraulic Oil (Petroleum) 1	1	1	1	3	1	1
							Hydrobromic Acid	4	4	2	4	1	1

SECTION 1-B TECHNICAL



Properties	S Nitrile	N Acrylates	E Vamac®	H Silicone	V Fluoroelastomers	A Aflas®							
Ratings:	1 = Minor effect	2 = Moderate effect	3 = Static only	4 = Not Recommended	— = insufficient data								
Elastomer	S	N	E	H	V	A	Elastomer	S	N	E	H	V	A
Hydrobromic Acid 40%	4	4	4	4	1	1	Methane	1	1	1	4	2	1
Hydrochloric Acid (Cold) 37%	3	4	4	3	1	1	Methanol (Methyl Alcohol)	1	4	1	1	4	2
Hydrochloric Acid (Hot) 37%	4	4	4	4	2	1	Methyl Acetate	4	4	4	4	4	4
Hydrocyanic Acid	2	4	—	3	1	1	Methyl Acrylate	4	4	4	4	4	4
Hydrofluoric Acid (Con.) Cold	4	4	4	4	1	1	Methylacrylic Acid	4	4	4	4	4	1
Hydrofluoric Acid (Conc.) Hot	4	4	4	4	3	1	Methyl Alcohol	1	2	1	1	4	1
Hydrofluoric Acid — Anhydrous	4	4	4	4	4	1	Methyl Bromide	2	3	—	—	1	1
Hydrofluosilicic Acid (Fluosilicic Acid)	1	—	—	4	1	1	Methyl Butyl Ketone (Propyl Acetone)	4	4	4	3	4	4
Hydrogen Gas	1	2	1	3	1	1	Methyl Cellosolve	3	4	4	4	4	1
Hydrogen Peroxide (90%)	4	4	4	2	2	1	Methyl Chloride	4	4	4	4	2	1
Hydrogen Sulfide (Wet) Cold	4	4	4	3	4	1	Methyl Cyclopentane	4	4	4	4	2	1
Hydrogen Sulfide (Wet) Hot	4	4	4	3	4	1	Methylene Chloride	4	4	4	4	2	2
Hydroquinone	3	4	—	—	2	2	Methyl Ether (Dimethyl Ether) (Monomethyl Ether)	4	4	4	4	2	2
Hynet	4	—	4	—	4	3	Methyl Ethyl Ketone	4	4	4	4	4	4
Hynet III	4	—	4	—	4	3	Methyl Formate	4	—	4	—	—	—
Hynet S	4	—	4	—	4	3	Methyl Isobutyl Ketone	4	4	4	4	4	4
Hynet W	4	—	4	—	4	3	Methyl Methacrylate	4	4	4	4	4	3
Hypochlorous Acid	4	4	4	—	1	1	Methyl Oleate	4	—	—	—	2	1
Iodine Pentafluoride	4	4	4	4	4	—	Methyl Salicylate	4	—	—	—	—	1
Iodoform	—	—	—	—	—	—	Milk	1	4	1	1	1	1
Isobutyl Alcohol	2	4	1	1	1	1	Mineral Oil	1	1	1	2	1	1
Isocetane	1	1	1	4	1	2	Monochlorobenzene	4	4	4	4	1	2
Isophorone	4	4	4	4	4	4	Monomethyl Aniline	4	4	4	—	2	1
Isopropyl Acetate	4	4	4	4	4	4	Monoethanol Amine	4	4	4	2	4	4
Isopropyl Alcohol	2	4	1	1	1	1	Monomethyl Ether (Methyl Ether) (Dimethyl Ether)	1	4	1	1	1	3
Isopropyl Chloride	4	4	4	4	1	1	Monovinyl Acetylene	1	—	—	2	1	1
Isopropyl Ether	2	3	4	4	4	4	Mustard Gas	—	—	—	1	—	1
Kerosene	1	1	3	4	1	1	MIL-L-644 B	1	2	2	3	—	—
Lacquers	4	4	4	4	4	3	MIL-L-2104 B	1	1	1	3	1	1
Lacquer Solvents	4	4	4	4	4	4	MIL-L-2105 B	1	1	1	3	1	1
Lactic Acid (Cold)	1	4	3	1	1	1	MIL-G-2108	1	1	1	3	1	1
Lactic Acid (Hot)	4	4	3	2	1	1	MIL-S-3136 B Type 1	1	2	2	4	1	2
Lard	1	1	1	2	1	1	MIL-S-3136 B Type II	1	—	—	4	1	2
Lavender Oil	2	2	2	4	1	1	MIL-S-3136 B Type III	1	—	4	4	1	2
Lead Acetate (aq)	2	4	4	4	4	4	MIL-S-3136 B Type IV	1	1	1	3	1	2
Lead Nitrate (aq)	1	—	4	2	—	1	MIL-S-3136 B Type V	1	1	1	3	1	2
Lead Sulfamate (aq)	2	4	4	2	1	1	MIL-S-3136 B Type VI	1	1	1	3	1	2
Legroin (Benzine) (Nitrobenzene) (Pet Ether)	1	1	4	4	1	2	MIL-S-3136 B Type VII	1	—	—	4	1	2
Lime Bleach	1	4	4	2	1	1	MIL-L-3150 A	1	1	1	3	1	2
Lime Sulfur	4	4	4	1	1	1	MIL-L-3503	1	1	1	3	1	2
Lindol (Hydraulic Fluid)	4	4	4	3	2	1	MIL-L-3545 B	2	2	2	4	1	2
Linoleic Acid	2	—	3	2	2	1	MIL-C-4339 C	1	1	1	3	1	2
Linseed Oil	1	1	1	1	1	1	MIL-G-4343 B	2	1	—	4	1	1
Liquified Petroleum Gas	1	3	1	3	1	1	MIL-L-5020 A	1	2	2	4	1	2
Lubricating Oils (Petroleum)	1	1	1	4	1	1	MIL-J-5161 F	1	—	2	4	1	2
Lye	2	4	4	2	2	1	MIL-C-5545 A	2	2	—	4	1	2
Magnesium Chloride (aq)	1	—	1	1	1	1	MIL-H-5559 A	1	3	2	2	2	1
Magnesium Hydroxide (aq)	2	4	1	—	1	1	MIL-F-5566	1	—	2	1	1	1
Magnesium Sulfate (aq)	1	4	1	1	1	1	MIL-F-5602	1	1	3	3	1	2
Maleic Acid	4	4	1	—	1	1	MIL-H-5606 B (Red Oil)	1	1	2	4	1	—
Maleic Anhydride	4	4	—	—	4	1	MIL-J-5624 G JP-3, JP-4, JP-5	1	2	3	4	1	2
Malic Acid	1	4	3	2	1	1	MIL-O-6081 C	1	1	2	3	1	2
Mek ((M)Methyl Ethyl Ketone)	4	4	4	4	4	4	MIL-L-6082 C	1	1	2	3	1	2
Mercury Chloride (aq)	1	—	—	—	1	1	MIL-H-6083 C	1	1	2	3	1	2
Mercury	1	—	1	—	1	1	MIL-L-6085 A	1	3	4	3	1	2
Mesityl Oxide	4	4	—	4	4	—	MIL-L-6086 B	1	1	2	3	1	2
							MIL-L-6387 A	1	—	—	3	1	2
							MIL-C-6529 C	2	2	3	4	1	2
							MIL-F-7024 A	1	2	3	4	1	2
							MIL-H-7083 A	1	3	2	2	2	1

TECHNICAL SECTION

SECTION 1-B TECHNICAL

Properties	S Nitrile	N Acrylates	E Vamac®	H Silicone	V Fluoroelastomers	A Aflas®							
Ratings:	1 = Minor effect	2 = Moderate effect	3 = Static only	4 = Not Recommended	— = insufficient data								
Elastomer	S	N	E	H	V	A	Elastomer	S	N	E	H	V	A
MIL-G-7118 A	1	3	4	3	1	2	MIL-I-27686 D	1	3	2	2	2	2
MIL-G-7187	1	1	2	3	1	2	MIL-L-27694 A	1	—	—	4	1	1
MIL-G-7421 A	1	—	—	3	1	2	MIL-L-46000 A	1	3	3	3	1	2
MIL-H-7644	2	2	3	4	1	1	MIL-H-46001 A	1	1	1	3	1	2
MIL-L-7645	2	2	3	4	1	2	MIL-L-46002	1	—	—	3	1	2
MIL-G-7711 A	1	1	2	3	1	2	MIL-H-46004	1	1	1	3	1	2
MIL-L-7808 F	1	3	4	3	1	2	MIL-P-46046 A	2	2	2	4	1	1
MIL-L-7870 A	1	1	2	3	1	3	MIL-H-81019 B	1	1	1	3	1	2
MIL-C-8188 C	1	3	3	3	1	3	MIL-S-81087	1	—	—	4	1	1
MIL-A-8243 B	1	3	2	2	2	1	Naphtha	2	2	4	4	1	1
MIL-L-8383 B	1	1	2	3	1	2	Naphthalene	4	—	4	4	1	1
MIL-H-8446 B (MLO-8515)	2	3	4	4	1	2	Naphthalenic Acid	2	—	—	4	1	1
MIL-1-8660 B	1	—	—	4	1	1	Natural Gas	1	2	4	1	1	1
MIL-L-9000 F	1	2	3	4	1	2	Neats Foot Oil	1	1	4	2	1	1
MIL-T-9188 B	4	4	4	4	4	2	Neville Acid	4	4	4	4	1	1
MIL-L-9236 B	1	3	3	4	1	3	Nickel Acetate (aq)	2	4	4	4	4	4
MIL-L-10295 A	1	1	2	3	1	2	Nickel Chloride (aq)	1	3	4	1	1	1
MIL-L-10324 A	1	1	2	3	1	2	Nickel Sulfate (aq)	1	4	4	1	1	1
MIL-G-10924 B	1	1	1	3	1	2	Niter Cake	1	4	4	1	1	1
MIL-L-11734 B	1	3	2	3	1	2	Nitric Acid (Con.)	4	4	4	4	3	2
MIL-O-11773	1	3	3	3	1	2	Nitric Acid (Dilute)	4	4	4	2	1	2
MIL-P-12098	2	2	2	4	1	1	Nitric Acid — Red Fuming	4	4	4	4	4	2
MIL-H-13862	1	1	1	3	1	2	Nitrobenzene	4	4	4	4	2	1
MIL-H-13866 A	1	1	1	3	1	2	Nitrobenzene (Petroleum Ether)	1	1	4	4	1	1
MIL-H-13910 B	2	2	2	4	1	1	Nitroethane	4	4	4	4	4	1
MIL-H-13919 A	1	1	1	3	1	2	Nitrogen	1	1	1	1	1	1
MIL-L-14107 B	3	—	1	4	1	2	Nitrogen Tetroxide	4	4	4	4	4	1
MIL-L-15017	1	1	1	3	1	2	Nitromethane	4	4	4	4	4	1
MIL-L-15018 B	1	1	1	3	1	2	O-A-548 a	1	3	2	2	2	—
MIL-L-15019 C	1	1	1	3	1	2	O-T-634 b	3	4	4	4	1	—
MIL-L-15719 A	2	2	2	4	1	1	Octachlorotoluene	4	4	4	4	1	2
MIL-G-15793	1	3	3	3	1	2	Octadecane	1	2	2	4	1	1
MIL-F-16929 A	1	3	4	3	1	2	N-octane	2	4	1	4	1	1
MIL-L-16958 A	1	1	1	3	1	2	Octyl Alcohol	2	4	1	2	1	1
MIL-F-17111	1	1	1	3	1	2	Oleic Acid	3	4	3	4	2	1
MIL-L-17331 D	1	1	1	3	1	2	Oleum Spirits	2	—	4	4	1	2
MIL-L-17353 A	1	—	—	3	1	2	Olive Oil	1	1	1	3	1	1
MIL-L-17672 B	1	1	1	3	1	2	O-Dichlorobenzene	4	4	2	4	1	1
MIL-L-18486 A	1	1	1	3	1	2	Oxalic Acid	2	—	1	2	1	1
MIL-G-18709A	1	1	1	3	1	2	Oxygen — Cold	2	2	4	1	1	1
MIL-H-19457 B	4	4	4	4	4	3	Oxygen — (200-400°F)	4	4	4	2	2	1
MIL-F-19605	1	—	—	4	1	2	Ozone	4	2	1	1	1	1
MIL-L-19701	1	3	3	3	1	2	Paint Thinner, Duco	4	4	4	4	2	2
MIL-L-21260	1	1	1	3	1	2	Palmitic Acid	1	2	—	4	1	1
MIL-S-21568 A	1	1	1	4	1	1	Peanut Oil	1	1	1	1	1	1
MIL-H-22072	1	3	2	2	2	2	Perchloric Acid	4	4	4	4	1	1
MIL-L-22396	1	1	1	3	1	2	Perchloroethylene	2	4	4	4	1	1
MIL-L-23699 A	1	3	2	3	1	2	Petroleum — Below 250°F	1	2	2	2	1	1
MIL-G-23827 A	1	3	2	3	1	2	Petroleum — Above 250°F	4	4	2	4	2	1
MIL-G-25013	1	2	2	4	1	2	Phenol (Carbolic Acid)	4	4	4	4	1	1
MIL-F-25172	1	—	—	4	1	2	Phenylbenzene (Diphenyl)	4	4	4	4	1	1
MIL-L-25336 B	1	3	3	3	1	2	(Diphenyl)	4	4	4	4	1	1
MIL-F-25524 A	1	—	1	4	1	2	Phenyl Ethyl Ether	4	4	4	4	4	3
MIL-G-25537 A	1	1	1	3	1	2	Phenyl Hydrazine	4	4	4	—	1	1
MIL-F-25558 B (RJ-1)	1	1	1	3	1	1	Phorone (Diisopropylidene Acetone)	4	4	4	4	4	4
MIL-F-25576 C(RP-1)	1	1	1	4	1	1	Phosphoric Acid — 20%	2	—	2	2	1	1
MIL-H-25598	1	1	1	3	1	2	Phosphoric Acid — 45%	4	—	2	3	1	1
MIL-F-25656 B	1	—	—	4	1	1	Phosphorus Trichloride	4	—	—	—	1	1
MIL-L-25681 C	1	2	2	4	1	1							
MIL-G-25760 A	1	3	3	4	1	2							
MIL-G-25968	1	3	3	3	1	2							
MIL-L-26087 A	1	1	2	3	1	2							
MIL-G-27343	1	—	—	4	1	1							
MIL-H-27601 A	2	2	2	4	1	2							
MIL-G-27617	4	—	—	4	1	1							

SECTION 1-B TECHNICAL



Properties	S Nitrile	N Acrylates	E Vamac®	H Silicone	V Fluoroelastomers	A Aflas®							
Ratings:	1 = Minor effect	2 = Moderate effect	3 = Static only	4 = Not Recommended	— = insufficient data								
Elastomer	S	N	E	H	V	A	Elastomer	S	N	E	H	V	A
Pickling Solution	4	4	4	4	2	1	Sodium Chloride (aq)	1	—	1	1	1	1
Picric Acid	2	—	4	4	1	1	Sodium Cyanide (aq)	1	—	1	1	1	1
Pinene	2	4	4	4	1	1	Sodium Hydroxide (aq)	2	3	1	2	2	1
Pine Oil	4	—	2	3	1	1	Sodium Hypochlorite (aq) (Chlorox)	2	4	2	2	1	1
Piperidine	4	4	4	4	4	—	Sodium Metaphosphate (aq)	1	—	—	—	1	1
Plating Solution — Chrome	—	—	—	4	1	1	Sodium Nitrate (aq)	1	—	—	4	—	1
Plating Solution — Others	1	—	—	4	1	1	Sodium Perborate (aq)	2	—	2	2	1	1
Polyvinyl Acetate Emulsion	—	—	1	—	—	—	Sodium Peroxide (aq)	2	4	3	4	1	1
Potassium Acetate (aq)	2	4	4	4	4	4	Sodium Phosphate (aq)	1	1	2	4	1	1
Potassium Chloride (aq)	1	1	1	1	1	1	Sodium Silicate (aq)	1	—	1	—	1	1
Potassium Cupro Cyanide (aq)	1	1	1	1	1	1	Sodium Sulfate (aq)	1	4	2	1	1	1
Potassium Cyanide (aq)	1	1	1	1	1	1	Sodium Thiosulfate (aq)	2	4	2	1	1	1
Potassium Dichromate (aq)	1	1	2	1	1	1	Soybean Oil	1	1	2	1	1	1
Potassium Hydroxide (aq)	2	4	4	3	4	1	Stannic Chloride (aq)	1	—	2	2	1	1
Potassium Nitrate (aq)	1	1	1	1	1	1	Stannous Chloride (aq)	1	—	2	2	1	1
Potassium Sulfate (aq)	1	4	—	1	1	1	Steam Under 300°F	4	4	1	3	4	1
Producer Gas	1	2	1	2	1	1	Steam Over 300°F	4	4	1	4	4	1
Propane	1	1	1	4	1	1	Stearic Acid	2	—	4	2	—	1
i-Propyl Acetate	4	4	4	4	4	4	Stoddard Solvent	1	1	3	4	1	1
n-Propyl Acetate	4	4	4	4	4	4	Styrene	4	4	4	4	2	2
Propyl Acetone (Methyl Butyl Ketone)	4	4	4	3	4	4	Sucrose Solution	1	4	1	1	1	1
Propyl Alcohol	1	4	1	1	1	1	Sulfite Liquors	2	4	4	4	1	1
Propyl Nitrate	4	4	4	4	4	1	Sulfur	4	4	2	3	1	1
Propylene	4	4	4	4	1	1	Sulfur Chloride (aq)	3	4	2	3	1	1
Propylene Oxide	4	4	4	4	4	4	Sulfur Dioxide (Dry)	4	4	2	2	1	1
Pydraul, 10E, 29 ELT	4	4	4	4	1	1	Sulfur Dioxide (Wet)	4	4	2	2	1	1
Pydraul, 30E, 50E, 65E, 90E	4	4	4	1	1	1	Sulfur Dioxide (Liquified) Under Pressure	4	4	2	2	1	1
Pydraul, 115E	4	4	4	4	1	1	Sulfur Hexafluoride	2	4	4	2	1	1
Pydraul, 230E, 312C, 540C	4	4	4	4	1	1	Sulfur Trioxide	4	4	4	2	1	1
Pyranolo, Transformer Oil	1	1	4	4	1	1	Sulfuric Acid (Dilute)	3	2	4	4	1	1
Pyridine	4	4	4	4	4	1	Sulfuric Acid (Conc.)	4	4	4	4	1	1
Pyroigneous Acid	4	4	4	—	4	—	Sulfuric Acid (20% Oleum)	4	4	4	4	1	1
Pyrrole	4	4	4	2	4	3	Sulfurous Acid	2	4	4	4	1	1
P-S-661 b	1	—	—	4	1	—	Sunoco All Purpose Grease	1	—	1	4	1	1
P-D-680	1	—	—	4	1	—	Sunoco SAE 10	1	—	2	4	1	1
Radiation	3	3	1	3	4	1	Tannic Acid	1	4	2	2	1	1
Rapeseed Oil	2	2	2	4	1	1	Tar, Bituminous	2	4	4	2	1	1
Red Oil (MIL-H-5606)	1	1	2	4	1	1	Tartaric Acid	1	—	2	1	1	1
RJ-1 (MIL-F-25558 B)	1	1	2	4	1	1	Terpineol	2	—	—	—	1	1
RP-1 (MIL-F-25576 C)	1	1	2	4	1	1	Tertiary Butyl Alcohol	2	4	3	2	1	1
SAE 30	1	1	1	1	1	1	Tertiary Butyl Catechol	4	4	4	—	1	—
SEA 90	1	1	1	4	1	1	Tertiary Butyl Mercaptan	4	4	4	4	1	1
SAE 90 EP(GL-5)	2	1	2	4	1	1	Tetrabromoethane	4	4	4	4	1	1
Sal Ammoniac	1	1	1	2	1	1	Tetrabromomethane	4	—	4	4	1	1
Salicylic Acid	2	—	1	—	1	1	Tetrabutyl Titanate	2	—	—	—	1	1
Salt Water	1	4	1	1	1	1	Tetrochloroethylene	4	4	4	4	1	1
Sewage	1	4	1	1	1	1	Tetraethyl Lead	2	—	3	—	1	1
Shell Alvania Grease #2	1	—	1	2	1	1	Tetrahydrofuran	4	4	4	4	4	4
Silicate Esters	2	—	4	4	1	1	Tetralin	4	—	—	4	1	1
Silicone Greases	1	1	1	3	1	1	Thionyl Chloride	4	4	4	—	2	1
Silicone Oils	1	1	1	3	1	1	Titanium Tetrachloride	2	4	4	4	1	1
Silver Nitrate	2	1	1	1	1	1	Toluene	4	4	4	4	1	4
Skydrol 500	4	4	4	3	4	2	Toluene Diisocyanate	4	4	4	4	4	4
Skydrol 7000	4	4	4	3	2	2	Transformer Oil	1	2	1	2	1	1
Soap Solutions	1	4	1	1	1	1	Transmission Fluid Type A	1	1	1	2	1	1
Soda As	1	—	1	1	1	1	Triacetin	2	4	4	—	4	2
Sodium Acetate (aq)	2	4	4	4	4	4	Triaryl Phosphate	4	4	4	3	1	1
Sodium Bicarbonate (aq) (Baking Soda)	1	—	1	1	1	1	Tributoxy Ethyl Phosphate	4	4	4	—	1	1
Sodium Bisulfite (aq)	1	4	1	1	1	1	Tributyl Mercaptan	4	4	4	4	1	1
Sodium Borate (aq)	1	—	1	1	1	1	Tributyl Phosphate	4	4	4	4	4	1

TECHNICAL SECTION

SECTION 1-B TECHNICAL

Properties	S Nitrile	N Acrylates	E Vamac®	H Silicone	V Fluoroelastomers	A Aflas®
------------	--------------	----------------	-------------	---------------	-----------------------	-------------

Ratings: 1 = Minor effect 2 = Moderate effect 3 = Static only 4 = Not Recommended — = insufficient data

Elastomer	S	N	E	H	V	A	Elastomer	S	N	E	H	V	A
Trichloroacetic Acid	2	4	4	—	3	2	Varnish	2	4	1	4	1	1
Trichloroethane	4	4	4	4	1	1	Vegetable Oils	1	1	1	2	1	1
Trichloroethylene	4	4	4	4	1	4	Versilube F-50	1	1	2	3	1	1
Tricresyl Phosphate	4	4	2	3	1	1	Vinegar	2	4	2	1	1	2
Triethanol Amine	2	4	1	—	4	1	Vinyl Chloride	4	4	4	—	1	1
Triethyl Aluminum	4	4	4	—	2	1	VV-B-680	2	2	2	4	1	1
Triethyl Borane	4	4	4	—	1	1	VV-G-632	1	1	2	3	1	2
Trinitrotoluene	4	4	4	—	2	2	VV-G-671c	1	1	2	3	1	2
Trioctyl Phosphate	4	4	2	3	2	1	VV-H-910	2	2	2	4	1	1
Tung Oil (China Wood Oil)	1	—	2	4	1	1	VV-I-530a	1	1	2	3	1	2
Turbine Oil	2	1	2	4	1	1	VV-K-211d	1	—	—	4	1	2
Turbo Oil #35	1	—	2	4	1	1	VV-K-220a	1	2	2	4	1	2
Turpentine	1	2	4	4	1	1	VV-L-751b	2	2	2	4	1	2
Type I Fuel (MIL-S-3136)	1	—	1	4	1	1	VV-L-800	1	1	1	3	1	2
Type II Fuel (MIL-L-3136)	2	—	2	4	1	1	VV-L-820b	1	1	1	3	1	2
Type III Fuel (MIL-L-3136)	2	—	4	4	1	1	VV-L-825a Type I	1	1	1	3	1	2
TT-N 95 a	1	—	—	4	1	2	VV-L-825a Type II	1	1	1	3	1	2
TT-N-97 B	1	3	3	4	1	2	VV-L-825a Type III	2	2	3	4	1	2
TT-I-735 b	1	—	—	1	1	1	VV-O-526	1	1	2	3	1	2
TT-S-735 Type I	1	2	2	4	1	2	VV-P-216a	1	1	2	3	1	2
TT-S-735 Type II	1	—	—	4	1	2	VV-P-236	2	2	3	4	1	2
TT-S-735 Type III	1	—	—	4	1	2	Wagner 21 Brake Fluid	3	—	4	3	4	1
TT-S-735 Type IV	1	1	2	3	1	2	Water	1	4	1	1	1	1
TT-S-735 Type V	1	1	1	3	1	2	Whiskey, Wines	1	4	1	1	1	1
TT-S-735 Type VI	1	1	1	3	1	2	White Pine Oil	2	—	—	4	1	1
TT-S-735 Type VII	1	—	—	4	1	2	White Oil	1	1	1	4	1	1
TT-T656b	4	4	4	4	4	3	Wood Oil	1	1	1	4	1	1
Unsymmetrical Dimethyl Hydrazine (UDMH)	2	—	—	4	4	—	Xylene	4	4	4	4	1	3
							Xylidine (Di-methyl Aniline)	3	4	4	4	4	2
							51-F-23	1	1	1	3	1	1

Sealing System Preparation And Seal Installation

STORAGE AND HANDLING OF OIL SEALS

Introduction

Careful storage and handling of radial lip type seals is necessary to avoid hazards prior to installation which would adversely affect service life.

General Storage

Radial lip type seals are very robust long lived components. However, as with any precision components they should be stored with care as the service life of bearings and/or other costly machined parts may depend upon how well the seal performs. Hazards which may be encountered include: temperature, ozone, humidity, radioactive materials, fumes, dust, grit and mechanical damage.

The storage area should be cool (60° to 90°F) and with average (40 to 70%) humidity. Seals should be stored on a first in - first out basis, since even under ideal conditions, an unusually long shelf life may cause deterioration of element materials. Excessive heat and/or exposure to ozone can cause premature aging of some types of sealing elements thus reducing service life. Avoid storage near sources of heat. To prevent ozone aging, keep away from direct or reflected sunlight and electrical equipment that may generate ozone. Excessive humidity will deteriorate some seal element materials as well as cause corrosive damage to metal cases and springs.

Oil seals should be stored in a place other than a work area to avoid possible mechanical damage by equipment or falling objects. A closed container will provide protection from mechanical damage, as well as dust, grit and other contaminants.

Mechanical Damage

Many oil seal failures can be traced to improper handling or storage of the seal. To avoid damage:

- Keep in the box in which they were originally packed. Never store seals unprotected in open bins.
- Never hang seals on a hook.
- Never tag seals.
- Keep seals clean.
- Avoid dropping seals. This may dislodge the spring, distort or contaminate the seal.
- Never use old or damaged seals.

Lip Compound Age Resistance (Shelf Life)

Resistance to deterioration in storage varies between elastomers. Proper storage under conditions which minimize aging effect is extremely important. The chart below presumes proper storage conditions and reflects general usage applications.

Type of Lip Material	Shelf Life
Urethane	3 to 5 years
Nitrile	5 to 10 years
AFLAS®, Fluoroelastomer, Silicone,	Up to 20 years
Polyacrylate, VAMAC®	Up to 20 years
Felt, Leather, PTFE	Indefinite

SECTION 1-C TECHNICAL

Sealing System Preparation And Seal Installation

SHAFT REQUIREMENTS

Proper engineering of the components of the assembly is necessary for seal reliability. Shaft requirements have been determined by the Rubber Manufacturer's Association, through thousands of hours of testing. The following items should be considered at the original equipment design stage or whenever an existing application is to be upgraded.

Shaft Finish — Shaft finish, a prime factor in proper functioning of a lip seal, should be specified as 10-25 microinches Ra (0.20-0.60 micrometers Ra) with no machine lead.

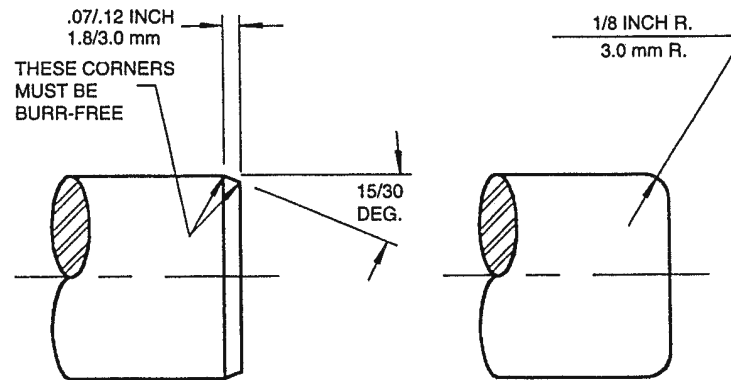
Shaft Lead — Maximum permissible lead angle is $0 \pm 0.05^\circ$. The most acceptable method for obtaining this surface characteristic is plunge grinding.

Shaft Diameter — Shaft diameter tolerances are shown below. Tolerances greater than those shown should be used only if agreed upon between user and supplier.

Shaft Diameter (inches)	Tolerances	Shaft Diameter (mm)	Tolerances
To and including 4.000	$\pm .003$	To and including 100	± 0.08
4.001 through 6.000	$\pm .004$	100.01 through 150	± 0.10
6.001 through 10.000	$\pm .005$	150.01 through 250	± 0.13
10.001 and larger	$\pm .006$	250.01 and larger	± 0.15

Shaft Hardness — Radial lip type seals will function satisfactorily on mild steel, cast iron or malleable iron shafts. Under normal conditions, however, the section of the shaft contacted by the sealing lip should be hardened to Rockwell C30 minimum. If, however, the shaft may be nicked or damaged during handling or assembly, a Rockwell C45 minimum is recommended.

Shaft Chamfer — To aid installation and help prevent damage to the seal lip, the leading edge of the shaft should have a chamfer or radius which must be smooth and free of nicks or rough spots.



Shaft-to-Bore Misalignment (STBM)

— The distance the center of rotation is displaced from the center of the bore. It usually exists to some degree due to normal machining and assembly tolerances. Misalignment results in uneven wear and, if excessive, will shorten seal life. To measure, attach a dial indicator to the shaft and indicate off the seal bore while rotating the shaft. For specific limitations see the National Oil Seal Design Type and Description charts on page 6 & 7.

Dynamic Runout — Twice the distance the center of the shaft is displaced from the center of rotation. It can result from a bent shaft, lack of shaft balance or other manufacturing variables. To measure, find the total movement of an indicator held against the seal area of the slowly rotating shaft. For specific limitations see the National Oil Seal Design Type and Description charts on page 6 & 7.

Shaft Material — Steel, stainless steel and certain cast irons all provide good sealing surfaces if finished properly. Brass or bronze shafts are not recommended nor are alloys of aluminum, zinc, magnesium and other similar elements. If plating is considered, it should be hard nonporous chrome plate. Flaking or plating exposes razor edges which may cut the seal lip.

SECTION 1-C TECHNICAL



Sealing System Preparation And Seal Installation

BORE REQUIREMENTS

Maintaining proper bore characteristics is important if the integrity of the sealing system is to remain intact. To provide proper fit of National Oil Seals, the dimensions relative to Bore Tolerance and seal Press Fit should be followed.

Bore Tolerances and Seal Press Fit

The Table below indicates recommended Bore Tolerances and seal Press Fit for both Metal and Rubber O.D. seals.

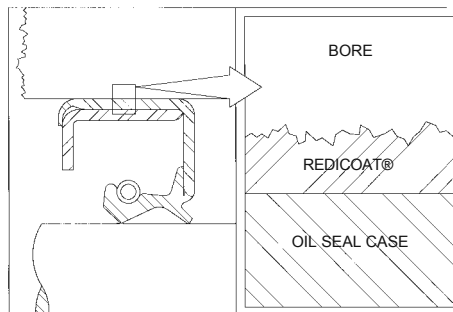
Bore Diameter	Bore Tolerance	Nominal Press Fit Metal O.D.	Metal O.D. Tolerance	Nominal Press Fit Rubber O.D.	Rubber O.D. Tolerance
Up to 2.000	± 0.001	0.005	± 0.002	0.008	± 0.003
2.000 to 3.000	± 0.001	0.005	+0.003 / -0.002	0.010	± 0.003
3.001 to 4.000	± 0.0015	0.006	± 0.003	0.011	± 0.003
4.001 to 5.000	± 0.0015	0.006	± 0.003	0.011	± 0.003
5.001 to 7.000	± 0.0015	0.007	± 0.003	0.012	± 0.004
7.001 to 12.000	± 0.002	0.008	+0.004 / -0.003	0.013	± 0.004
12.001 to 20.000	± 0.003	0.012	± 0.005	0.015	± 0.005
20.001 to 40.000	± 0.004	0.013	± 0.005	0.018	± 0.006
40.001 to 60.000	± 0.006	0.016	± 0.006	0.020	± 0.007

Bore Material

Ferrous materials are commonly used for bore housings. The table above applies to these types of materials. However, if other materials are used (i.e., aluminum or composites) higher rates of thermal expansion are usually involved and should be considered.

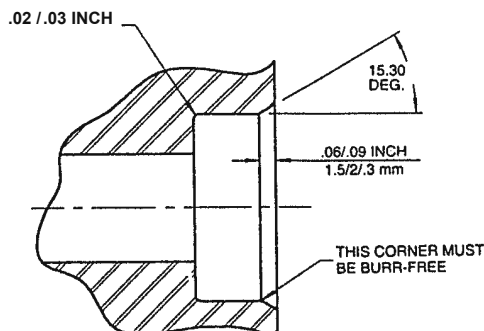
Bore Finish

A finish of 125 microinches Ra (3.2 micrometers Ra) or smoother should be maintained to assure a leak free environment. If the bore is rougher than 125 microinches Ra (3.2 micrometers Ra) National Oil Seal offers an environmentally friendly waterbase resinous coating on all of the O.D.'s of the metal cases. This coating process or material is termed Redicoat .



Bore Configuration

The lead corner of the seal bore should be chamfered for ease of seal installation. Rough corners or burrs can scratch the seals outside diameter and cause potential leak paths.



REDICOAT IS A REGISTERED TRADEMARK OF FEDERAL-MOGUL CORP.

TECHNICAL SECTION

SECTION 1-C TECHNICAL

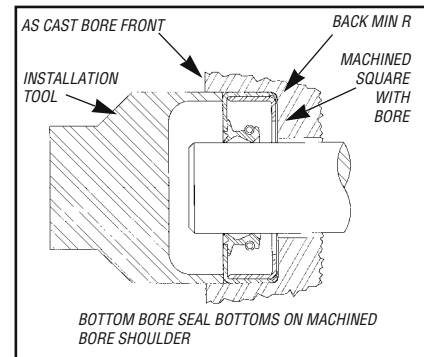
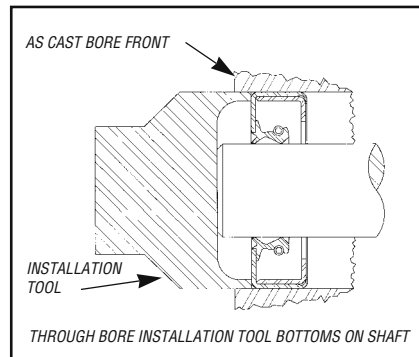
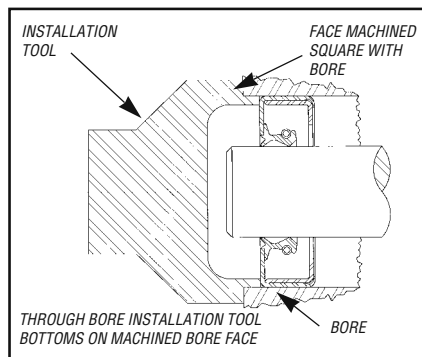
Sealing System Preparation And Seal Installation

INSTALLATION OF SEALS, PROCEDURES, GUIDELINES AND TOOLS

Oil Seal Installation Procedure

- 1) Inspect the bore. Insure that it is clean and free of burrs that might distort the seal or cut the O.D., that may cause leakage. Check for roundness and make sure the leading edge is either rounded or chamfered.
- 2) Inspect the shaft. Look for machining lead, burrs, dirt and paint that might damage the seal or provide a leak path. If the old seal has worn a groove into the shaft, it needs to be repaired. In many cases, National Redi-Sleeves will enable you to quickly and inexpensively repair this condition. For more information, regarding National Redi-Sleeves see page 23 & 24.
- 3) Inspect the Shaft End. Remove all burrs and sharp edges. The shaft should be chamfered or radiused to assure the seal is not damaged during installation. If this is not possible, then an installation sleeve should be used.
- 4) Inspect Splines and Keyways. If the shaft has splines or keyways, cover with a sleeve, shim stock or tape to protect the seal lip.
- 5) Inspect the Seal. Check the seal for any damage (nicks, cuts, scratches or distortion of the sealing lip) that may have been caused during shipping. A damaged seal should be replaced.
- 6) Assure Proper Seal Direction. The sealing lip usually faces toward the medium to be sealed.
- 7) Pre-lube the Seal. Prior to installation, the sealing lip should be pre-lubed with the lubricant to be sealed. It is not necessary for the O.D. of metal parts to be lubed, however, a light film of oil should be applied to the O.D. of rubber coated seals to aid in the installation process and reduce sheer stress during installation. This pre-lube should reduce or eliminate the possibility of a rubber O.D. seal from backing out of the bore immediately after installation.
- 8) Installation Tools. Select an installation tool (see Fig below). For easy, accurate installation of National's popular standard style oil and grease seals use the RD-2000 which can easily install seals up to 3.375" (85.7 mm) O.D. The best tool will have a diameter slightly smaller than that of the housing bore and will apply force only on the seal case. Bearing races may be used as an installation tool adapter when "approved tools are not available.
- 9) Never Hammer Directly On the Seal. Screwdrivers, drift pins or punches should not be used as installation tools. Steel hammers are not recommended for use with approved installation tools; the shock of steel on steel can dislodge the garter spring. After the seal has engaged the bore, the seal should be driven in evenly with only enough force to seat it in the bore.

Recommended Installation Tools



SECTION 1-D TECHNICAL



GENERAL INFORMATION

OIL SEAL DISTRESS ANALYSIS, TROUBLE SHOOTING CHECKLIST

The following chart is intended to assist in the evaluation of oil seal distress. It is not intended to be complete and should not be interpreted as inclusive of all distress causes. Questions or requests for additional information relative to oil seal distress should be directed to your Timken Representative.

Symptom	Probable Cause of Leak	Symptom	Probable Cause of Leak
Sealing Lip Surface Hardened	Can be caused by excessive operating temperatures, by inadequate lubrication or by incompatibility with sealed fluid.	Seal Garter Spring Damaged	May be caused by careless handling or use of improper installation tools or methods. Excessive spreading of the sealing lip during installation can damage the spring.
Sealing Lip Brittle or Cracked	Operating temperatures of lubricant may exceed recommended limits for the type of sealing member material. Make sure seal is proper size. Too tight a fit on shaft will cause overheating. Check adequacy of lubricant for the type seal used.	Inner Parts of Seal Assembly Loose	Improper installation tools used. Check out-of-round limits of housing bore and make sure seal O.D. is not too large for bore. Either condition can cause seal distortion which, although not readily apparent, may be enough to loosen the inner parts of the seal and cause leakage.
Sealing Lip Shows Excessive Wear (around entire circumference)	Shaft finish may be too rough at point of lip contact. Seal not properly prelubricated before installation. Check adequacy of lubrication for the type seal used. Make sure seal is proper size. Too tight a fit on the shaft can cause overheating and rapid wear. Shaft run-out or shaft whip may exceed recommended limits. See that the seal seats close to the bearing and check for excessive looseness in bearing or splines.	Seal Cocked In Housing	Usually due to improper tools or installation methods. Make sure seal O.D. is not too large for bore. Check bore for burrs, scale or chips that prevent the seal from properly seating.
Sealing Lip Worn On One Side	Usually due to misalignment of shaft to bore. This causes rapid wear at one point on the sealing lip.	Excessive Shaft Wear	Check for presence of abrasive dirt and grit. Shaft may not have been properly cleaned before installation or exterior dirt and dust conditions may be too severe for the type of seal used. Shaft may be too soft. Shaft hardness limits are dictated by the severity of exterior dirt conditions, the amount of lubrication and surface speeds. Make sure seal is proper size. Too tight a fit on the shaft will cause excessive wear on both lip and shaft. Check for insufficient lubrication at the seal.
Sealing Lip Contact On Shaft Too Light	Make sure seal is proper size. Check shaft for excessive wear at point of contact. Shaft may be too soft . . . check minimum hardness specifications for the existing operating conditions. Check the installation tools used. Mounting cones and sleeves must not have O.D. of more than 1/32" greater than the shaft . . . or the sealing lip may be overstretched.	Shaft Scratched or Gouged	Proper installation procedure call for careful inspection and preparation of the shaft prior to installation of the seal. Shaft must be thoroughly cleaned before installing the seal. Paint, shellac or cement on the surface where the lip contacts the shaft prevents proper sealing.
Sealing Lip Nicked or Scratched	Careless storage, handling or use of improper assembly tools. Failure to clean and prepare shaft. Failure to protect sealing member when installing over splines, keyways, etc.	Spiral Machine Grooves on Shaft	Shafts should be polished at point of sealing lip contact or reground so spiral marks direct the fluid inward rather than outward under the sealing lip.
Sealing Lip "Blown-Out" (direction of lip contact reversed)	Look for excessive pressure build-up or plugged-up vents. Vents should be masked during painting to prevent clogging. Make sure the lubricant level is correct. Heating of the lubricant causes expansion and the pressure can blow out the seal.	Leakage Around the O.D. of the Seal	Check housing bore for out of-roundness. If eccentricity is only slight (.001"), the use of special cement on the O.D. surface of seal may offset the condition. Check O.D. surface of seal for evidence of damage due to careless handling or improper installation. Seal may be cocked in housing. Check interior of bore for excessive roughness, dirt, scratches or burrs.
Sealing Lip Surface Softened	Spongy lip is result of incompatibility between fluid and sealing element.	Excessive Prelubrication	This is not actually leakage, although it may look like it. When too much prelubricant is used, the excess melts and runs out. Check this possibility before removing a seal that has the appearance of leaking.
Seal Case Distorted	O.D. of seal may be too large for housing bore. Bore diameter should not vary from that recommended for the size of the seal. Housing bore may be excessively out-of-round. If bore diameter and out-of-round limits are correct . . . look for evidence of careless handling or use of improper installation tools.		

TECHNICAL SECTION

SECTION 1-D TECHNICAL: REDI-SLEEVES

GENERAL INFORMATION

REDI-SLEEVES INSTALLATION AND REMOVAL

Redi-Sleeves Installation

Each Redi-Sleeve comes with its own installation tool and removable installation flange. The installation tool reduces the possibility of sleeve distortion and provides for sleeve installation without removal of the shaft from the serviced equipment.

- 1) Minimum shaft surface preparation is required. Clean the old seal surface thoroughly and file down burrs and rough areas.
- 2) Determine sleeve position necessary to cover the seal wear tracks. Measure to a convenient point or mark directly on the shaft.
- 3) Redi-Sleeves may be installed to any depth. The column labelled "Installation Depth" in the *Redi-Sleeve Size Listing* indicates the maximum distance from the end of the shaft the sleeve can be installed using the supplied installation tool. Check whether the supplied tool will reach this position. If not, a tool can be fabricated using tubing or pipe to make deeper installations. If this is required, make sure the ends are cut square and are deburred.
- 4) Fill any deep scores or gouges on the shaft with a thread repair compound. Make sure to install the sleeve prior to the filler hardening.
- 5) Drop the Redi-Sleeve into the installation tool so that only the flange projects. Note that the flanged end of the sleeve goes on the shaft first.
- 6) Gently pound the center of the installation tool with a wood block or large soft face mallet until the sleeve reaches the previously measured point on the shaft. The wood block or large soft face mallet reduces the possibility of distorting the installation tool.
- 7) If clearance is required after installation, the Redi-Sleeve flange can be removed. Prior to installation, use side-cutters to cut through the flange to the pre-cut line. After the sleeve is installed, pry flange away from the seal surface. The flange will peel away along the pre-cut line.

Redi-Sleeve Removal

Suggested methods of sleeve removal:

- 1) Application of heat will cause the sleeve to expand and permit removal.
- 2) Wire cutters may be used to "tear" the sleeve from the shaft using a twisting motion.
- 3) With the flange removed, tapping the sleeve with a hammer may cause stretching on the sleeve and allow for removal.

GENERAL INFORMATION

NATIONAL WEAR SLEEVES DESCRIPTION, INSTALLATION & REMOVAL

National Wear Sleeves

National wear sleeves are precision components that press fit onto a shaft, actually becoming part of the shaft. The outside diameter is ground to provide a surface finish of 10-25 microinches Ra (.25-.64 Micrometers Ra). A radius of the I.D. of the sleeve facilitates installation on to the shaft. National wear sleeves are designed to be installed at ambient temperatures, heating of the wear sleeve is not required for proper installation. The opposite end of the wear sleeve is also radiused on the O.D. to minimize the potential for damaging the seal during assembly.

Wear sleeves offer cost reduction opportunities to original equipment manufacturers who must now machine large or complex shafts or spindles to tight dimensional and finish tolerances in order to provide an adequate running surface for the seals. While transporting or moving the shaft from place to place, extreme care must be taken to prevent damage to a finished shaft. When wear sleeves are used, scratching or scoring of the shaft is eliminated since the seal will run on the precision-finished sleeve, installed when the seal and/or hub is installed.

Installation

- 1) Remove all dirt and oil from the sealing surface.
- 2) Coat shaft surface with a liquid sealant or gasket cement.
- 3) Press wear sleeve into position with an installation tool or use a flat plate against the sleeve. Do not hammer on the thin edge of the sleeve or the wear sleeve may become warped or out of round.
- 4) Remove excess sealant from the wear sleeve edges. No sealant should be left on the finished sleeve surface or seal leakage may result.

Removal

Suggested methods of wear sleeve removal:

- 1) Application of heat will cause the sleeve to expand and permit removal.
- 2) Tapping the sleeve with a hammer may cause stretching of the sleeve and allow for removal.
- 3) Careful use of a rounded, blunt chisel may remove the sleeve.
Caution. It is not necessary to cut the sleeve completely prior to removal.

Shaft Tolerances For National Wear Sleeves

Up to 3.000" ± .001"
3.001" to 6.000" ± .0015"

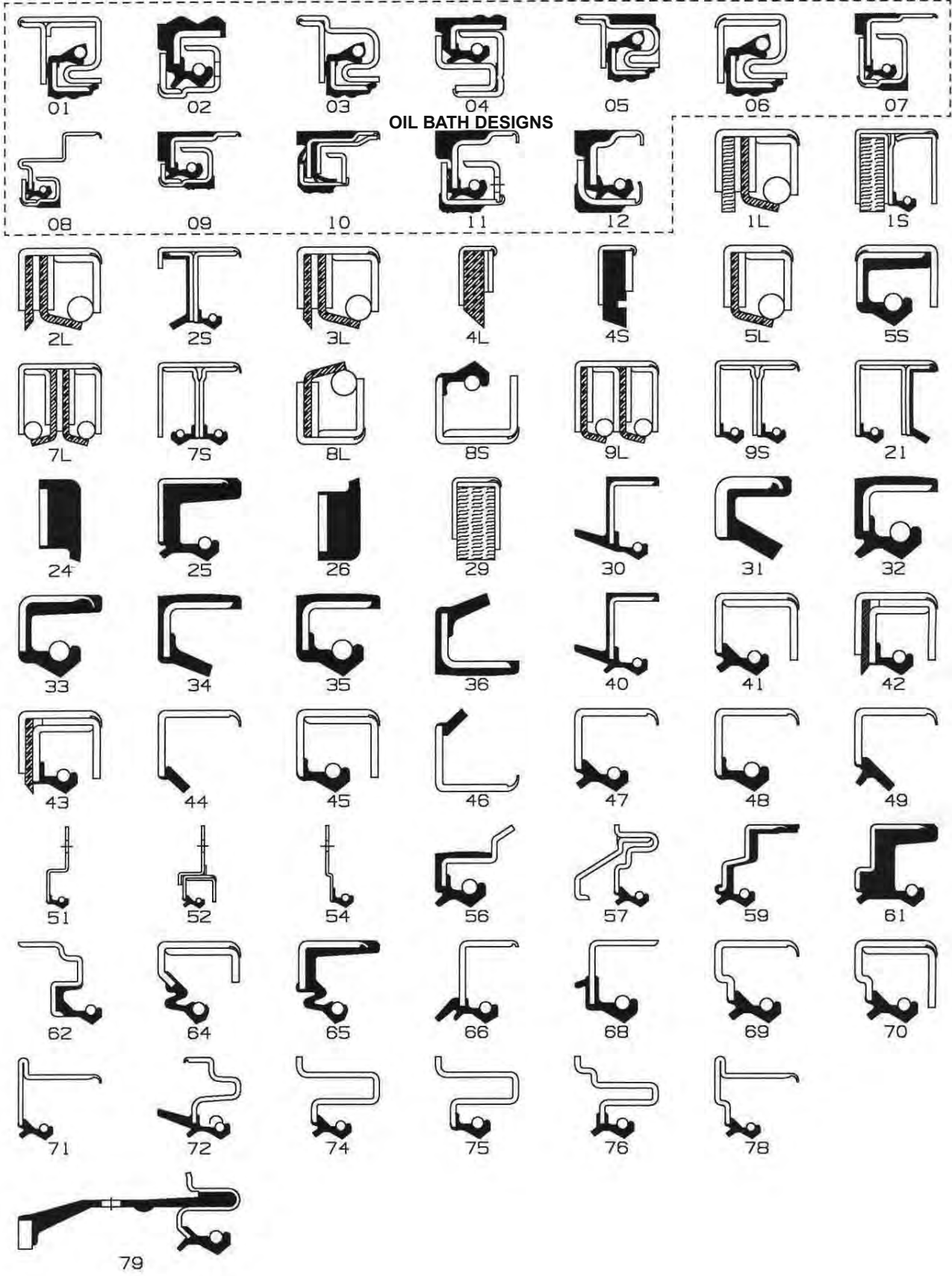
Shaft Finish

Prime shaft finishes of 125 RMS or better may require very little cement under the sleeve. With shaft finishes of over 125 RMS, complete inside penetration of the cement is recommended.

Prefix Explanation

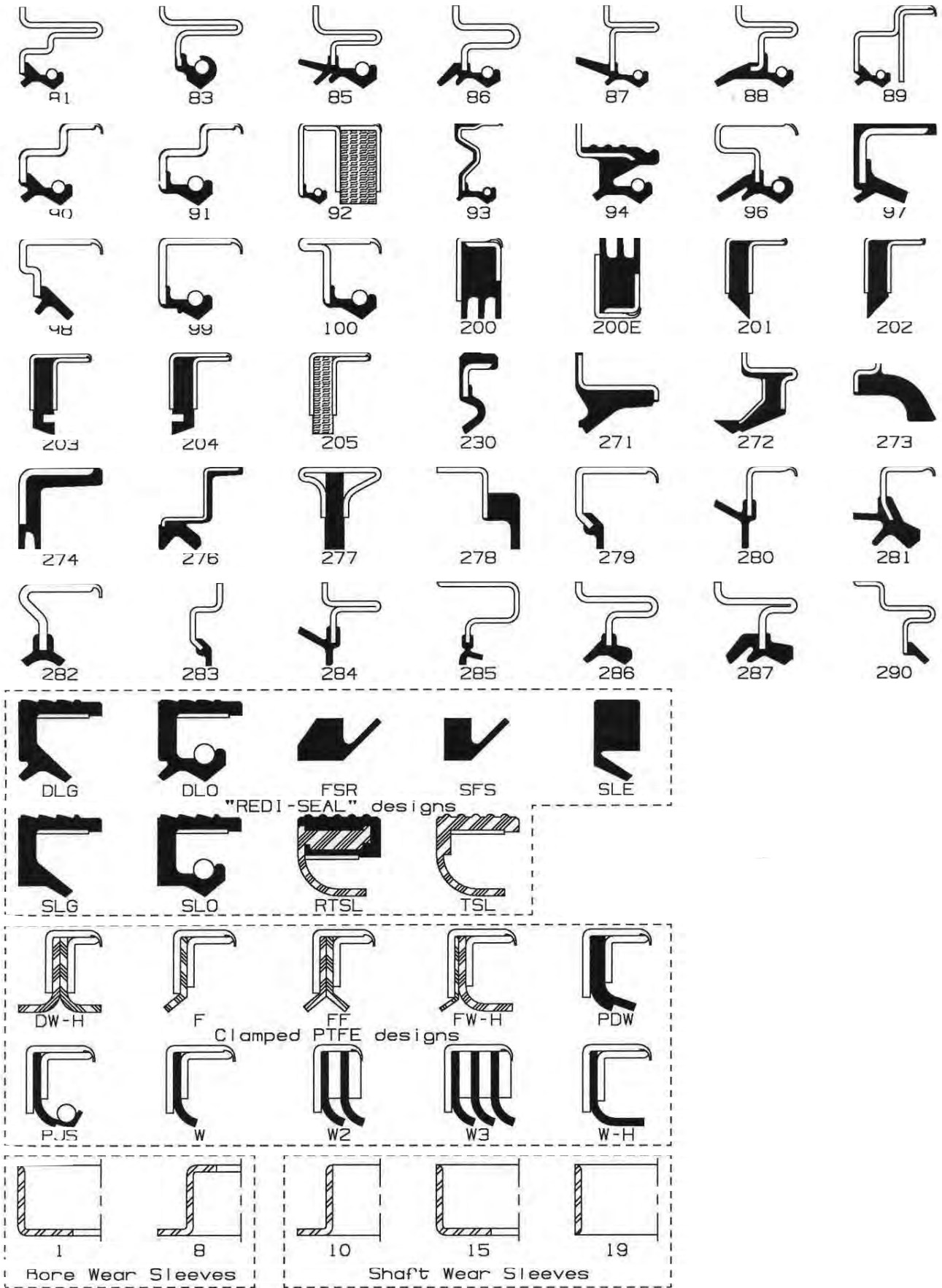
J = Ground 10-25 RMS
JV = Unground phosphate coated

OIL SEAL DESIGN TYPES



OIL SEAL DESIGN TYPES

TIMKEN®



TECHNICAL SECTION

Size Section

RADIAL SHAFT SEALS



Hsg Bore	Seal O.D.	Seal Flanged O.D.	Seal Width	Width w/Side Lip	Lip Mat'l	Part No.	Type/ Illus.
0.156" (5/32") SHAFT							
0.500	0.504		0.187		S	340872	34
0.250" (1/4") SHAFT							
0.750	0.760		0.175		S	240435	24
0.499	0.505		0.187		S	343104	34
0.750	0.758		0.250		S	350435	35
0.312" (5/16") SHAFT							
1.250	1.254		0.375		L	50445	5L
0.625	0.635		0.175		S	240698	24
0.500	0.506		0.125		S	340826	34
0.750	0.756		0.250		S	350364	35
0.999	1.003		0.375		S	470195 ¹	47
0.313" SHAFT							
0.749	0.753		0.250		V	712021 ²	#
0.686	0.690		0.313		S	712022 ²	#
8,00mm (0.315") SHAFT							
18,00	18,20		7,00		S	220818	32
0.709	0.717		0.276				
16,00	16,20		7,00		S	220860	35
0.630	0.638		0.276				
9,00mm (0.354") SHAFT							
18,00	18,20		7,00		S	220918	35
0.709	0.717		0.276				
0.375" (3/8") SHAFT							
0.999	1.003		0.375		S	50197S	5S
0.750	0.760		0.175		S	240385	24
0.750	0.754		0.250		S	• 310385	31
0.687	0.691		0.156		S	311189	31
0.750	0.754		0.250		S	330385	33
0.750	0.756		0.250		S	340385	34
0.562	0.568		0.125		S	340827	34
0.874	0.883		0.312		S	350156	35
0.999	1.004		0.250		S	471103 ¹	47
0.875	0.880		0.250		S	473096 ¹	47
0.378" SHAFT							
0.669	0.670		0.138		S	710781	32
0.390" SHAFT							
0.999	1.005		0.125		S	• 2006BG	#
10,00mm (0.394") SHAFT							
19,00	19,20		7,00		S	221040	35
0.748	0.756		0.276				
18,00	18,20		5,00		E	710762	32
0.709	0.717		0.197				
18,00	18,10		5,00		N	710780	32
0.709	0.713		0.197				
0.408" SHAFT							
1.004	1.008		0.208		N	4701N ¹	49
11,00mm (0.433") SHAFT							
19,00	19,15		5,00		N	710545	31
0.748	0.754		0.197				

Hsg Bore	Seal O.D.	Seal Flanged O.D.	Seal Width	Width w/Side Lip	Lip Mat'l	Part No.	Type/ Illus.
0.437" (7/16") SHAFT (cont.)							
0.999	1.007		0.250		S	6863S	35
0.875	0.885		0.175		S	240470	24
0.624	0.633		0.125		S	343101	34
0.999	1.003		0.375		S	470199 ¹	47
0.999	1.003		0.375		N	• 470199N	47
0.999	1.003		0.375		V	• 470199V	47
0.875	0.880		0.250		S	472810 ¹	47
1.124	1.128		0.250		S	474277 ¹	47
0.463" SHAFT							
0.736	0.744	0.876	0.232		E	710643	#
0.468" (15/32") SHAFT							
1.124	1.126		0.375		S	470004 ¹	47
0.472" SHAFT							
			0.236			99049 Redi-Sleeve	
22,00	22,25		7,00		S	221207	35
0.866	0.876		0.276				
1.000	1.006		0.375		S	320457	32
19,00	19,23		7,50		V	710543	97
0.748	0.757		0.295				
19,00	19,23		7,50		S	710544	97
0.748	0.757		0.295				
19,00	19,20	24,60	8,50		E	710947	#
0.748	0.756	0.969	0.335				
0.490" SHAFT							
0.875	0.883		0.250		S	340771	34
1.122	1.132		0.265		S	351028	35
0.493" SHAFT							
1.000	1.004		0.250		S	• 471211	47
0.500" (1/2") SHAFT							
			0.250			99050 Redi-Sleeve	
0.751	0.756		0.192		S	8792S	31
1.124	1.128		0.250		S	41526S	4S
0.875	0.879		0.187		S	43080S	#
0.749	0.753		0.093		S	43095S	4S
0.999	1.003		0.250		S	48144 ¹	#
0.999	1.010		0.175		S	240119	24
0.843	0.848		0.250		S	312196	31
1.010	1.017		0.204		V	324234V	32
0.875	0.879		0.187		S	330699	33
0.750	0.756		0.125		S	340847	34
0.875	0.881		0.125		S	342613	34
0.875	0.881		0.250		S	342614	34
0.687	0.693		0.093		S	342805	34
1.124	1.128		0.375		S	• 410005	41
0.999	1.003		0.375		S	410119 ¹	41
1.124	1.128		0.375		S	450005	45
1.124	1.128		0.375		S	470005 ¹	47
0.999	1.003		0.375		S	470119 ¹	47
1.124	1.128		0.312		S	• 471294	47
0.999	1.003		0.250		N	• 471442N	47
0.999	1.003		0.250		V	471442V ¹	47

SIZE SECTION

¹Redicoat®; ²90 PSI Max; ; • Non Stock Item - Special Order

Size Section

RADIAL SHAFT SEALS

SIZE SECTION

Hsg Bore	Seal O.D.	Seal Flanged O.D.	Seal Width	Width w/Side Lip	Lip Mat'l	Part No.	Type/ Illus.
0.500" (1/2") SHAFT (cont.)							
0.999	1.003		0.250		S	471442 ¹	47
1.250	1.254		0.250		S	471472 ¹	47
1.124	1.128		0.250		V	471526V ¹	47
1.124	1.128		0.250		S	471526 ¹	47
1.375	1.379		0.250		S	471549 ¹	47
1.378	1.382		0.406		S	472467 ¹	47
0.999	1.003		0.375		S	• 480119	48
0.999	1.003		0.250		S	• 481442	48
0.999	1.003		0.250		N	• 481442N	48
0.999	1.003		0.250		V	• 481442V	48
0.875	0.879		0.313		S	712019 ²	#
0.531" (17/32") SHAFT							
1.124	1.128		0.312		S	471530 ¹	47
0.551" SHAFT							
			0.250			99055 Redi-Sleeve	
24,00	24,23		7,00		S	221410	35
0.945	0.954		0.276				
1.000	1.004		0.312		S	473546 ¹	47
25,00	25,20		7,00		N	710116	32
0.984	0.992		0.276				
26,00	26,20	31,00	12,30		S	710782	32
1.024	1.031	1.220	0.484				
25,00	25,20		19,00		N	710820	32
0.984	0.992		0.748				
0.562" (9/16") SHAFT							
0.810	0.814		0.187		N	313156	31
0.875	0.879		0.187		S	314259	31
1.124	1.128		0.375		S	• 410007	41
1.250	1.254		0.375		S	• 410016	41
1.375	1.379		0.406		S	• 410021	41
0.999	1.003		0.375		N	• 410202N	41
0.999	1.003		0.375		S	• 410202	41
1.124	1.128		0.312		S	• 411531	41
1.375	1.379		0.312		S	• 411557	41
0.999	1.003		0.375		N	• 450202N	45
1.246	1.250		0.375		N	• 450536N	45
1.246	1.250		0.375		S	450536 ¹	45
1.124	1.128		0.375		S	• 470007	47
1.250	1.254		0.375		S	• 470016	47
1.375	1.379		0.406		S	• 470021	47
0.999	1.003		0.375		S	• 470202	47
1.000	1.004		0.312		S	• 470650	47
1.124	1.128		0.250		S	471281 ¹	47
0.999	1.003		0.250		S	• 471315	47
1.250	1.254		0.250		S	471535 ¹	47
1.375	1.379		0.250		S	471551 ¹	47
1.000	1.004		0.250		S	472705 ¹	47
1.000	1.004		0.250		V	472705V ¹	47
1.124	1.128		0.375		S	• 480007	48
1.246	1.250		0.375		S	• 480536	48
1.124	1.128		0.250		S	• 481281	48
0.999	1.003		0.250		V	• 481315V	48
0.999	1.003		0.250		S	• 481315	48

Hsg Bore	Seal O.D.	Seal Flanged O.D.	Seal Width	Width w/Side Lip	Lip Mat'l	Part No.	Type/ Illus.
0.562" (9/16") SHAFT (cont.)							
0.999	1.003		0.250		N	• 481315N	48
1.250	1.254		0.250		S	• 481535	48
1.004	1.008		0.254		N	718610 ¹	47
0.563" SHAFT							
			0.250			99056 Redi-Sleeve	
0.591" SHAFT							
			0.197			99059 Redi-Sleeve	
24,00	24,20		5,00		S	2027	35
0.945	0.953		0.197				
25,00	25,25		6,00		N	221510	32
0.984	0.994		0.236				
30,00	30,23		7,00		S	221540	35
1.181	1.190		0.276				
21,00	21,20		5,00		S	710714	47
0.827	0.835		0.197				
24,00	24,23		7,00		S	711029	32
0.945	0.954		0.276				
0.593" (19/32") SHAFT							
0.935	0.943		0.175		S	340797	34
1.124	1.128		0.312		S	471532 ¹	47
1.375	1.379		0.312		S	471558 ¹	47
1.250	1.254		0.312		S	473405 ¹	47
1.375	1.379		0.250		S	• 481552	48
0.610" SHAFT							
1.102	1.106		0.600		V	710274	62
0.614" SHAFT							
0.999	1.006		0.250		S	340724	34
0.621" SHAFT							
1.024	1.031		0.252		N	710690	32
0.625" (5/8") SHAFT							
			0.313			99062 Redi-Sleeve	
0.999	1.003		0.250		S	7188S	33
0.937	0.945		0.187		S	7399S	24
1.250	1.254		0.250		S	41264S	4S
1.124	1.135		0.175		S	240009	24
1.375	1.385		0.175		S	240023	24
0.875	0.880		0.125		S	253747	25
1.000	1.005		0.125		N	314267N	31
1.124	1.130		0.250		S	340009S	34
0.812	0.820		0.093		S	340387	34
0.875	0.883		0.093		S	340849	34
0.936	0.942		0.187		N	343105	34
1.124	1.130		0.250		S	351466	35
0.999	1.005		0.250		S	351487	35
1.124	1.128		0.375		N	• 410009N	41
1.124	1.128		0.375		S	• 410009	41
1.250	1.254		0.375		S	• 410018	41
1.375	1.379		0.406		S	• 410023	41
1.124	1.128		0.312		S	• 410791	41
1.499	1.503		0.390		S	• 410975	41

Size Section

RADIAL SHAFT SEALS



Hsg Bore	Seal O.D.	Seal Flanged O.D.	Seal Width	Width w/Side Lip	Lip Mat'l	Part No.	Type/ Illus.
0.625" (5/8") SHAFT (cont.)							
1.624	1.628		0.437		S	• 411024	41
1.375	1.379		0.312		S	• 411324	41
1.499	1.503		0.312		S	• 411577	41
1.124	1.128		0.375		V	• 450009V	45
1.246	1.250		0.375		S	450535 ¹	45
1.499	1.503		0.390		S	• 450975	45
1.124	1.128		0.375		N	• 470009N	47
1.377	1.381		0.406		S	470557 ¹	47
1.124	1.128		0.312		S	• 470791	47
1.124	1.128		0.312		N	• 470791N	47
1.499	1.503		0.390		S	• 470975	47
1.375	1.379		0.250		S	471255¹	47
1.375	1.379		0.250		V	471255V ¹	47
1.250	1.254		0.250		S	471264¹	47
1.250	1.254		0.250		V	471264V ¹	47
1.375	1.379		0.312		S	• 471324	47
1.124	1.128		0.250		S	471466¹	47
1.124	1.128		0.250		N	• 471466N	47
1.124	1.128		0.250		V	471466V ¹	47
1.499	1.503		0.250		S	471564¹	47
1.499	1.503		0.312		S	• 471577	47
1.575	1.579		0.312		S	471612¹	47
1.624	1.628		0.312		S	471653¹	47
1.752	1.756		0.312		S	• 471695	47
2.047	2.051		0.312		S	• 472137	47
1.624	1.628		0.489		S	• 472207	47
1.124	1.128		0.375		S	• 480009	48
1.375	1.379		0.406		S	• 480023	48
1.124	1.128		0.312		S	• 480791	48
1.124	1.128		0.250		S	481466 ¹	48
1.124	1.128		0.250		V	• 481466V	48
1.625	1.629		0.250		S	484114 ¹	48
1.124	1.128		0.375		S	712024 ²	#
0.626" SHAFT							
2.205	2.213		0.256		V	710261 ⁴	32
0.630" SHAFT							
			0.313			99058 Redi-Sleeve	
27,00	27,20		14,00		N	221607	35
1.063	1.071		0.551				
28,00	28,23		7,00		N	221610	32
1.102	1.111		0.276				
30,00	30,23		7,00		S	221620	35
1.181	1.190		0.276				
27,00	27,20		6,00		N	710679	35
1.063	1.071		0.236				
25,00	25,20		5,00		S	710862	32
0.984	0.992		0.197				
1.762	1.770		0.354		V	714616	34
0.656" (21/32") SHAFT							
1.250	1.258		0.250		S	340469	34
1.375	1.379		0.406		S	• 450023	45
1.375	1.379		0.250		S	481073¹	48
1.575	1.579		0.250		S	481397¹	48

Hsg Bore	Seal O.D.	Seal Flanged O.D.	Seal Width	Width w/Side Lip	Lip Mat'l	Part No.	Type/ Illus.
0.656" (21/32") SHAFT (cont.)							
1.124	1.128		0.250		S	481528¹	48
1.250	1.254		0.250		S	481537¹	48
0.668" SHAFT							
1.187	1.191		0.185		S	481481	48
0.669" SHAFT							
			0.315			99068 Redi-Sleeve	
28,00	28,23		7,00		N	221710	35
1.102	1.111		0.276				
30,00	30,23		8,00		S	221720	32
1.181	1.190		0.276				
32,00	32,22		7,00		S	221730	35
1.260	1.269		0.276				
34,00	34,10		7,90		N	710251	47
1.339	1.343		0.311				
0.819	0.823		0.122		S	710361	44
0.684" SHAFT							
			0.313			99060 Redi-Sleeve	
0.687" (11/16") SHAFT							
1.250	1.254		0.250		S	8773S ⁵	25
1.375	1.379		0.406		S	450025 ¹	45
1.125	1.129		0.312		S	• 471297	47
1.125	1.129		0.312		N	• 471297N	47
1.124	1.128		0.250		S	• 471529SSR	47
1.124	1.128		0.250		S	471529¹	47
1.250	1.254		0.250		S	471538¹	47
1.375	1.379		0.250		S	471553¹	47
1.499	1.503		0.312		S	471579¹	47
1.624	1.628		0.250		S	471642 ¹	47
1.187	1.191		0.187		S	474261 ¹	47
1.124	1.128		0.375		S	• 480137	48
0.689" SHAFT							
1.083	1.091		0.276		N	710299	32
0.690" SHAFT							
0.997	1.003	1.255	0.295		S	3667	271
0.709" SHAFT							
			0.315			99082 Redi-Sleeve	
30,00	30,20		7,00		N	221820 ⁵	32
1.181	1.189		0.276				
32,00	32,22		8,00		S	221830	35
1.260	1.269		0.315				
32,00	32,10		7,50		S	710156	32
1.260	1.264		0.295				
26,00	26,10		4,00		S	710222	98
1.024	1.028		0.157				
23,00	23,20		4,00		S	710297	34
0.906	0.913		0.157				
34,00	34,20		8,00		S	710412	32
1.339	1.346		0.315				
0.718" (23/32") SHAFT							
1.124	1.128		0.375		L	50405	5L

SIZE SECTION

¹Redicoat®; ²90 PSI Max; ⁴Counter-Clockwise-Spiral Lip Design; ⁵Clockwise-Spiral Lip Design; • Non Stock Item - Special Order

Size Section

RADIAL SHAFT SEALS

SIZE SECTION

Hsg Bore	Seal O.D.	Seal Flanged O.D.	Seal Width	Width w/Side Lip	Lip Mat'l	Part No.	Type/ Illus.
0.718" (23/32") SHAFT (cont.)							
1.250	1.254		0.375		S	470506 ¹	47
0.735" SHAFT							
1.248	1.252		0.250		S	472878 ¹	47
0.736" SHAFT							
1.378	1.386		0.276		N	710272	32
0.737" SHAFT							
1.375	1.379		0.343		S	473416 ¹	47
0.742" SHAFT							
1.063	1.067		0.187		S	7929S	33
19,00mm (0.748") SHAFT							
32,00	32,20		8,00		S	221922	32
1.260	1.268		0.315				
38,00	38,20		7,00		S	710154	32
1.496	1.504		0.276				
1.375	1.378		0.315		S	710445	35
37,00	37,20		7,00		N	710805 ⁵	32
1.457	1.465		0.276				
0.750" (3/4") SHAFT							
			0.313			99076	Redi-Sleeve
			0.375			99075	Redi-Sleeve
1.125	1.129		0.250		S	1049	33
1.250	1.254		0.280		S	2287	274
1.250	1.254		0.312		S	6835S	33
1.311	1.315		0.312		S	7013S	25
1.031	1.035		0.313		S	7214	49
1.124	1.128		0.188		S	7750	48
1.375	1.379		0.250		S	40027S	4S
0.999	1.010		0.156		S	240735	24
1.062	1.072		0.187		S	240816	24
1.124	1.129		0.187		S	254270	25
1.000	1.005		0.125		S	312518	31
1.124	1.133		0.250		S	340495	34
1.125	1.131		0.156		S	343185	34
1.250	1.258		0.312		S	350679	35
1.250	1.256		0.250		S	350954	35
1.375	1.379		0.406		S	• 410027SSR	41
1.752	1.756		0.437		S	• 410222	41
1.375	1.379		0.312		S	• 410895	41
1.499	1.503		0.312		S	• 411580	41
1.375	1.379		0.406		N	• 450027N	45
1.250	1.254		0.375		V	• 450141V	45
1.561	1.565		0.375		S	450340¹	45
1.624	1.628		0.312		S	• 451656	45
1.375	1.379		0.406		S	470027 ¹	47
1.250	1.254		0.375		S	470141 ¹	47
1.624	1.628		0.437		S	470211 ¹	47
1.874	1.878		0.250		N	• 470390N	47
1.874	1.878		0.250		S	470390¹	47
1.375	1.379		0.312		S	470895 ¹	47
1.250	1.254		0.250		V	470954V ¹	47
1.250	1.254		0.250		S	470954¹	47

Hsg Bore	Seal O.D.	Seal Flanged O.D.	Seal Width	Width w/Side Lip	Lip Mat'l	Part No.	Type/ Illus.
0.750" (3/4") SHAFT (cont.)							
1.250	1.254		0.250		N	• 470954N	47
1.575	1.579		0.312		S	471498¹	47
1.375	1.379		0.250		V	471554V ¹	47
1.375	1.379		0.250		S	471554¹	47
1.375	1.379		0.250		N	• 471554N	47
1.499	1.503		0.250		S	471567¹	47
1.624	1.628		0.250		S	471643¹	47
1.752	1.756		0.250		S	471684¹	47
1.752	1.756		0.312		S	471698 ¹	47
1.752	1.756		0.312		V	• 471698V	47
1.263	1.267		0.250		S	• 472129	47
2.127	2.131		0.250		S	472538 ¹	47
2.047	2.051		0.312		S	472649 ¹	47
1.783	1.787		0.250		S	473196 ¹	47
1.828	1.832		0.375		S	473406 ¹	47
1.983	1.987		0.250		S	473407¹	47
1.302	1.306		0.250		S	474131 ¹	47
1.499	1.503		0.390		S	• 480028	48
1.312	1.316		0.250		S	480821 ¹	48
1.375	1.379		0.312		S	• 480895	48
1.250	1.254		0.250		S	480954 ¹	48
1.250	1.254		0.250		V	480954V ¹	48
1.250	1.254		0.250		N	• 480954N	48
1.000	1.008		0.225		N	710597	32
1.250	1.254		0.375		S	712014 ²	#
1.250	1.254		0.250		S	712027 ²	#
0.760" SHAFT							
			0.313			99081	Redi-Sleeve
0.781" (25/32") SHAFT							
			0.313			99080	Redi-Sleeve
1.828	1.832		0.437		S	470034 ¹	47
1.250	1.254		0.250		S	470601¹	47
1.752	1.756		0.312		S	471337 ¹	47
1.375	1.379		0.250		S	471443 ¹	47
1.375	1.379		0.250		N	• 471443N	47
1.828	1.833		0.250		S	474273 ¹	47
1.375	1.379		0.250		V	481443V ¹	48
1.375	1.379		0.250		S	481443¹	48
1.499	1.503		0.250		S	481568¹	48
1.624	1.628		0.250		S	481644¹	48
1.850	1.854		0.312		S	• 482089	48
0.787" SHAFT							
			0.313			99078	Redi-Sleeve
32,00	32,23		5,00		S	222020 ¹	35
1.260	1.269		0.197				
30,00	30,20		7,00		N	222025 ⁵	32
1.181	1.189		0.276				
34,00	34,25		7,00		S	222028 ⁴	32
1.339	1.348		0.276				
35,00	35,23		7,00		S	222030 ⁵	32
1.378	1.387		0.276				
36,00	36,20		7,00		V	222036	32
1.417	1.425		0.276				

4 ¹Redicoat®; ²90 PSI Max; ⁴Counter-Clockwise-Spiral Lip Design; ⁵Clockwise-Spiral Lip Design; ; • Non Stock Item - Special Order

Size Section

RADIAL SHAFT SEALS



Hsg Bore	Seal O.D.	Flanged O.D.	Seal Width	Width w/Side Lip	Lip Mat'l	Part No.	Type/ Illus.
20,00mm (0.787") SHAFT (cont.)							
40,00	40,23		7,00		S	222050	35
1.575	1.584		0.276				
47,00	47,20		7,00		S	222060	35
1.850	1.858		0.276				
32,00	32,21		5,00		N	710450 ⁵	32
1.260	1.268		0.197				
26,00	26,20		4,50		V	710809	40
1.024	1.031		0.177				
0.796" SHAFT							
1.499	1.503		0.625		S	6357S	92
0.812" (13/16") SHAFT							
1.250	1.254		0.254		V	8609	47
1.499	1.503		0.390		N	• 450030N	45
1.499	1.503		0.390		S	450030 ¹	45
1.250	1.254		0.375		S	450431 ¹	45
1.575	1.579		0.375		S	450588 ¹	45
1.561	1.565		0.375		S	470515 ¹	47
1.375	1.379		0.312		S	471231¹	47
1.375	1.379		0.312		V	471231V ¹	47
1.250	1.254		0.250		S	471539¹	47
1.624	1.628		0.250		S	471645¹	47
1.624	1.628		0.250		V	471645V ¹	47
1.752	1.756		0.250		S	471686¹	47
1.874	1.878		0.250		S	471729¹	47
2.441	2.445		0.375		S	472950 ¹	47
1.828	1.832		0.375		S	473412¹	47
1.499	1.503		0.250		S	474253¹	47
1.375	1.379		0.406		S	• 480204	48
1.375	1.379		0.250		S	• 480673	48
1.312	1.316		0.250		S	480889 ¹	48
0.843" (27/32") SHAFT							
1.374	1.378		0.312		S	472452 ¹	47
1.499	1.503		0.250		S	473413 ¹	47
1.624	1.628		0.250		S	473414 ¹	47
1.828	1.832		0.312		S	473415 ¹	47
0.859" SHAFT							
			0.250			99086 Redi-Sleeve	
0.860" SHAFT							
1.437	1.441		0.250		N	482069N ¹	48
0.864" SHAFT							
1.375	1.379		0.250		S	• 472065	47
1.375	1.379		0.250		N	• 472065N	47
0.866" SHAFT							
			0.259			99084 Redi-Sleeve	
			0.315			99085 Redi-Sleeve	
38,00	38,20		8,00		S	222238	32
1.496	1.504		0.315				
40,00	40,23		7,00		S	222240	35
1.575	1.584		0.276				
0.875" (7/8") SHAFT							
			0.313			99087 Redi-Sleeve	

Hsg Bore	Seal O.D.	Flanged O.D.	Seal Width	Width w/Side Lip	Lip Mat'l	Part No.	Type/ Illus.
0.875" (7/8") SHAFT (cont.)							
1.245	1.256		0.187		S	5976S	34
1.254	1.260		0.205		S	7014S	4S
1.249	1.254		0.187		S	7840S	31
1.375	1.379		0.312		T	38832 ⁵	94
1.124	1.135		0.125		S	240733	24
1.250	1.255		0.250		S	254287	25
1.308	1.316		0.250		S	340413	34
1.250	1.256		0.250		S	340483	34
1.187	1.193		0.187		S	340850	34
1.375	1.385		0.312		S	350567	35
1.375	1.381		0.250		S	351267	35
1.308	1.314		0.250		S	353132	35
1.499	1.503		0.312		S	• 410680	41
1.499	1.503		0.312		N	• 410680N	41
1.375	1.379		0.187		S	440131 ¹	44
1.499	1.503		0.390		N	• 450032N	45
1.375	1.379		0.312		V	• 450567V	45
1.752	1.756		0.312		S	• 451700	45
1.374	1.378		0.406		S	470398 ¹	47
1.375	1.379		0.312		S	470567 ¹	47
1.375	1.379		0.312		N	470567N ¹	47
1.375	1.379		0.312		V	• 470567V	47
1.752	1.756		0.250		S	470590¹	47
2.000	2.004		0.437		S	470645 ¹	47
1.499	1.503		0.312		S	470680 ¹	47
1.828	1.832		0.375		S	471137¹	47
1.375	1.379		0.250		H	• 471267H ¹	47
1.375	1.379		0.250		V	471267V ¹	47
1.375	1.379		0.250		S	471267¹	47
1.499	1.503		0.250		V	471570V ¹	47
1.499	1.503		0.250		S	471570¹	47
1.577	1.581		0.250		N	• 471633N	47
1.577	1.581		0.250		S	471633¹	47
1.624	1.628		0.250		S	471646¹	47
1.874	1.878		0.250		S	471730¹	47
1.750	1.754		0.312		V	• 473285V	47
1.375	1.379		0.312		S	• 480567	48
1.375	1.379		0.312		N	• 480567N	48
1.499	1.503		0.312		S	• 480680	48
1.375	1.379		0.250		S	481267 ¹	48
1.375	1.379		0.250		N	• 481267N	48
1.499	1.503		0.250		S	• 481570	48
1.499	1.503		0.250		V	• 481570V	48
1.375	1.379		0.250		V	712015 ²	#
1.436	1.441		0.256		S	712270	48
23,00mm (0.905") SHAFT							
40,00	40,23		7,00		N	222340 ^{1,4}	32
1.575	1.584		0.276				
1.252	1.260		0.217		S	710254	34
0.906" (29/32") SHAFT							
1.828	1.832		0.437		S	450038 ¹	45
1.499	1.503		0.390		S	470207 ¹	47
0.910" SHAFT							
			0.313			99091 Redi-Sleeve	

SIZE SECTION

¹Redicoat®; ²90 PSI Max; ⁴Counter-Clockwise-Spiral Lip Design; ⁵Clockwise-Spiral Lip Design; ; • Non Stock Item - Special Order

Size Section

RADIAL SHAFT SEALS

SIZE SECTION

Hsg Bore	Seal O.D.	Seal Flanged O.D.	Seal Width	Width w/Side Lip	Lip Mat'l	Part No.	Type/ Illus.
0.937" (15/16") SHAFT (cont.)							
1.375	1.383		0.250		S	340787	34
1.828	1.832		0.437		S	450039¹	45
1.375	1.379		0.312		S	471015 ¹	47
1.499	1.503		0.250		S	471571¹	47
1.499	1.503		0.250		V	471571V ¹	47
1.624	1.628		0.250		S	471647¹	47
1.750	1.754		0.312		S	472951 ¹	47
1.850	1.854		0.312		S	474235 ¹	47
1.752	1.756		0.250		S	474252¹	47
1.828	1.832		0.437		S	•480039	48
1.499	1.504		0.312		S	•481582	48
0.938" SHAFT							
1.500	1.504		0.375		F	5MR1300	#
0.942" SHAFT							
2.097	2.109		0.938		N	4462N	#
0.945" SHAFT							
			0.313			99092 Redi-Sleeve	
35,00	35,23		7,00		S	222410	35
1.378	1.387		0.276				
40,00	40,23		7,00		S	222430	35
1.575	1.584		0.276				
0.968" (31/32") SHAFT							
1.500	1.507		0.187		S	6324S	34
1.686	1.690		0.312		S	8059S	25
1.499	1.503		0.250		L	40208	4L
1.828	1.832		0.437		S	450040¹	45
2.062	2.066		0.437		S	450339 ¹	45
2.062	2.066		0.437		N	•450339N	45
1.575	1.579		0.375		S	450545	45
1.874	1.878		0.437		S	451082 ¹	45
1.499	1.503		0.312		S	451583¹	45
1.499	1.503		0.312		V	451583V ¹	45
1.624	1.628		0.250		S	471648¹	47
1.752	1.756		0.250		S	471688¹	47
2.440	2.445		0.375		S	472238 ¹	47
1.752	1.756		0.250		S	•481688	48
1.850	1.854		0.375		S	482309¹	48
1.850	1.854		0.375		V	•482309V	48
2.048	2.052		0.375		S	482310 ¹	48
1.750	1.754		0.375		S	•482582	48
0.969" SHAFT							
			0.313			99094 Redi-Sleeve	
			0.625			99096 Redi-Sleeve	
0.984" SHAFT							
			0.313			99098 Redi-Sleeve	
1.499	1.504		0.250		V	•4458VGR	#
1.499	1.504		0.250		V	4458V ¹	#
41,00	41,09		8,00		T	39867 ^{1,4}	W-H
1.614	1.618		0.315				
38,00	38,23		7,00		S	222535	32
1.496	1.505		0.276				

Hsg Bore	Seal O.D.	Seal Flanged O.D.	Seal Width	Width w/Side Lip	Lip Mat'l	Part No.	Type/ Illus.
25,00mm (0.984") SHAFT (cont.)							
40,00	40,22		7,00		S	222540	47
1.575	1.583		0.276				
44,00	44,20		7,00		S	222558	32
1.732	1.740		0.276				
1.828	1.838		0.187		S	240457	24
37,00	37,26		7,00		S	320603 ⁵	32
1.457	1.467		0.276				
1.828	1.832		0.437		S	450457 ¹	45
2.062	2.066		0.437		S	450693 ¹	45
1.575	1.579		0.374		V	450908V	45
1.575	1.579		0.374		S	•450908	45
1.500	1.504		0.312		S	•471171	47
1.499	1.503		0.250		S	472324¹	47
1.499	1.503		0.250		V	472324V ¹	47
40,00	40,20		8,00		S	710316 ⁵	32
1.575	1.583		0.315				
41,00	41,20		8,00		N	710729	32
1.614	1.622		0.315				
1.555	1.563		0.315		E	710844 ⁵	32
35,00	35,25		6,00		H	712007 ⁵	32
1.378	1.388		0.276				
1.752	1.756		0.313		V	712012 ²	#
1.596	1.601		0.250		S	712018 ²	#
0.996" SHAFT							
1.508	1.516		0.315		E	710857	#
1.000" (1-3/32") SHAFT							
			0.313			99101 Redi-Sleeve	
1.499	1.503		0.312		F	5857	29
1.250	1.254		0.536		S	6847S	#
1.437	1.441		0.250		T	39910 ⁶	W
1.499	1.503		0.250		L	40120	4L
2.000	2.004		0.250		S	40157S	4S
1.752	1.756		0.250		S	40230S	4S
1.437	1.441		0.250		S	42311S	4S
1.780	1.785		0.468		S	203005	203
1.780	1.785		0.468		S	204005	204
1.780	1.785		0.468		F	205005	205
1.437	1.447		0.187		S	240414	24
1.936	1.948		0.187		S	240462	24
1.250	1.260		0.125		S	240731	24
1.375	1.379		0.250		S	252277 ¹	25
2.441	2.447		0.375		S	321516	32
1.499	1.507		0.250		S	340120	34
1.312	1.318		0.125		S	342517	34
1.563	1.569		0.187		S	343123	34
1.437	1.445		0.250		S	350414	35
1.502	1.510		0.312		S	350909	35
2.062	2.066		0.437		S	•410187	41
1.624	1.628		0.437		S	•410219	41
1.375	1.379		0.187		S	441130 ¹	44
1.499	1.503		0.390		S	•450120	45
2.000	2.004		0.437		S	•450157	45
1.624	1.628		0.437		N	•450219N	45
1.828	1.832		0.296		S	450593¹	45

Size Section

RADIAL SHAFT SEALS



Hsg Bore	Seal O.D.	Seal Flanged O.D.	Seal Width	Width w/Side Lip	Lip Mat'l	Part No.	Type/ Illus.
1.000" (1-3/32") SHAFT (cont.)							
1.752	1.756		0.312		S	• 451703	45
2.062	2.066		0.375		S	453165	45
1.828	1.832		0.437		S	470041 ¹	47
1.499	1.503		0.390		S	470120 ¹	47
1.499	1.503		0.390		N	• 470120N	47
2.000	2.004		0.437		S	• 470157	47
1.624	1.628		0.437		S	470219 ¹	47
1.624	1.628		0.437		N	• 470219N	47
1.752	1.756		0.437		S	470230 ¹	47
1.499	1.503		0.312		S	470553 ¹	47
1.499	1.503		0.312		N	• 470553N	47
1.499	1.503		0.250		N	• 471224N	47
1.499	1.503		0.250		V	471224V ¹	47
1.499	1.503		0.250		S	471224¹	47
1.561	1.565		0.250		S	471270¹	47
1.561	1.565		0.250		V	471270V ¹	47
1.689	1.693		0.250		S	471465 ¹	47
2.441	2.445		0.375		S	471516 ¹	47
2.062	2.066		0.250		S	471619¹	47
1.624	1.628		0.250		V	471649V¹	47
1.624	1.628		0.250		S	471649¹	47
1.752	1.756		0.250		S	471689¹	47
1.752	1.756		0.250		V	471689V ¹	47
1.752	1.756		0.312		S	• 471703	47
1.874	1.878		0.250		N	• 471733N	47
1.874	1.878		0.250		S	471733¹	47
1.983	1.987		0.250		S	471744 ¹	47
2.000	2.004		0.250		S	471760¹	47
2.000	2.004		0.250		V	471760V ¹	47
2.047	2.051		0.312		S	472138 ¹	47
2.047	2.051		0.312		N	• 472138N	47
1.437	1.441		0.250		V	472311V ¹	47
1.437	1.441		0.250		S	472311 ¹	47
2.533	2.537		0.250		S	472539 ¹	47
1.575	1.579		0.250		S	473380¹	47
1.686	1.690		0.250		S	474250 ¹	47
1.828	1.832		0.437		S	• 480041	48
1.752	1.756		0.437		S	• 480230	48
1.752	1.756		0.375		S	• 480541	48
1.499	1.503		0.312		S	• 480553	48
1.499	1.503		0.250		S	• 481224	48
1.499	1.503		0.250		V	481224V ¹	48
1.625	1.629		0.375		S	• 481239	48
1.828	1.832		0.375		S	• 482336	48
1.874	1.878		0.375		S	• 482522	48
1.752	1.756		0.313		S	712013 ²	#
1.499	1.503		0.250		S	712016 ²	#
1.004" SHAFT							
1.516	1.524		0.335		S	710303	35
1.476	1.484		0.217		V	710553 ⁵	32
1.024" SHAFT							
			0.313			99103 Redi-Sleeve	
38,00	38,20		8,00		N	222630	32
1.496	1.504		0.315				

Hsg Bore	Seal O.D.	Seal Flanged O.D.	Seal Width	Width w/Side Lip	Lip Mat'l	Part No.	Type/ Illus.
26,00mm (1.024") SHAFT (cont.)							
48,00	48,23		7,00		S	222655	32
1.890	1.899		0.276				
42,00	42,20		8,00		V	710399 ⁵	32
1.654	1.662		0.315				
40,00	40,20		7,00		V	710816 ⁵	32
1.575	1.583		0.276				
1.476	1.484		0.236		V	710935 ⁵	32
1.031" SHAFT							
1.575	1.579		0.312		S	471076 ¹	47
1.624	1.628		0.250		S	481650 ¹	48
1.043" SHAFT							
1.732	1.748		0.315		S	710153	32
1.055" SHAFT							
1.500	1.504		0.268		S	9376	68
1.060" SHAFT							
1.750	1.758		0.252		N	710728 ⁵	32
1.062" SHAFT							
			0.313			99106 Redi-Sleeve	
1.575	1.581		0.250		S	3732S ⁵	48
1.828	1.832		0.437		S	450043 ¹	45
1.561	1.565		0.375		S	450188¹	45
1.983	1.987		0.437		S	450342¹	45
1.983	1.987		0.437		N	• 450342N	45
1.624	1.628		0.312		S	• 451664	45
1.686	1.690		0.375		S	470606 ¹	47
1.624	1.628		0.250		S	471651¹	47
1.752	1.756		0.312		S	471705¹	47
1.874	1.878		0.250		S	471735¹	47
2.000	2.004		0.250		S	471762¹	47
2.835	2.839		0.375		V	472953V ¹	47
2.835	2.839		0.375		S	472953 ¹	47
1.828	1.832		0.375		S	473419¹	47
2.062	2.066		0.375		S	473420¹	47
1.828	1.832		0.437		S	• 480043	48
1.499	1.503		0.312		S	480210¹	48
1.752	1.756		0.375		S	• 481718	48
27,00mm (1.063") SHAFT							
43,00	43,25		9,00		N	1990 ^{1,5}	32
1.693	1.703		0.354				
42,00	42,10		7,00		V	222742	48
1.654	1.657		0.276				
43,00	43,20		9,00		H	222743 ⁴	32
1.693	1.701		0.354				
45,00	45,25		9,00		N	222745 ⁵	32
1.772	1.781		0.354				
43,00	43,20		7,00		N	710511 ⁵	32
1.693	1.701		0.276				
40,00	40,20		8,00		H	712009 ⁴	32
1.575	1.583		0.315				
1.089" SHAFT							
			0.313			99108 Redi-Sleeve	

SIZE SECTION

¹Redicoat®; ²90 PSI Max; ⁴Counter-Clockwise-Spiral Lip Design; ⁵Clockwise-Spiral Lip Design; • Non Stock Item - Special Order

Size Section

RADIAL SHAFT SEALS

SIZE SECTION

Seal		Width		Lip Mat'l	Part No.	Type/ Illus.	Seal		Width		Lip Mat'l	Part No.	Type/ Illus.
Hsg Bore	Seal O.D.	Flanged O.D.	Seal Width				w/Side Lip	Hsg Bore	Seal O.D.	Flanged O.D.			
1.093" SHAFT (cont.)							1.125" (1-1/8") SHAFT (cont.)						
1.828	1.832		0.437	S	450044 ¹	45	1.874	1.878		0.437	S	• 410236	41
2.000	2.004		0.437	S	450159 ¹	45	1.624	1.628		0.312	S	• 411100	41
1.874	1.878		0.437	V	• 480235V	48	1.624	1.628		0.312	N	• 411100N	41
1.100" SHAFT							1.752	1.756		0.312	S	• 411706	41
1.572	1.578		0.308	N	2503N ^{1,5}	48	1.828	1.832		0.437	V	• 450045V	45
1.102" SHAFT							1.828	1.832		0.437	N	• 450045N	45
		0.375			99111 Redi-Sleeve		2.437	2.441		0.468	S	450332 ¹	45
41,00	41,10	8,00		T	39869 ⁵	#	2.000	2.004		0.375	S	• 450426	45
1.614	1.618	0.315					2.875	2.879		0.468	S	450430 ¹	45
40,00	40,34	7,00		S	222820	33	2.250	2.254		0.500	N	• 450604N	45
1.575	1.588	0.276					2.250 2.254		0.500		S 450604¹	45	
41,00	41,27	7,00		N	222830 ⁴	32	1.624	1.628		0.312	N	• 451100N	45
1.614	1.625	0.276					1.828	1.832		0.375	S	• 451258	45
44,00	44,20	6,00		N	222835	32	1.828	1.832		0.437	S	470045 ¹	47
1.732	1.740	0.236					1.752	1.756		0.437	S	470189 ¹	47
47,00	47,22	8,00		N	222860 ⁵	32	1.752	1.756		0.437	N	• 470189N	47
1.850	1.859	0.315					1.874	1.878		0.437	S	470236 ¹	47
43,00	43,23	8,00		N	710119	32	2.062	2.066		0.437	S	470241 ¹	47
1.693	1.702	0.315					2.062	2.066		0.437	V	• 470241V	47
43,00	43,23	7,00		S	710157 ⁵	32	2.000	2.004		0.500	S	• 470642	47
1.693	1.702	0.276					1.874	1.878		0.250	N	• 470712N	47
40,00	40,20	8,00		S	710325 ⁵	32	1.874 1.878		0.250		V 470712V¹	47	
1.575	1.583	0.315					1.874 1.878		0.250		S 470712¹	47	
1.398	1.406	0.205		V	710671	36	1.752	1.756		0.375	S	• 471133	47
37,00	37,20	19,50		N	710821	32	1.624 1.628		0.250		S 471652¹	47	
1.457	1.465	0.768					1.624 1.628		0.250		V 471652V¹	47	
42,00	42,20	8,00		H	712008	32	1.752 1.756		0.250		S 471692¹	47	
1.654	1.661	0.315					1.752	1.756		0.250	V	471692V ¹	47
38,00	38,20	7,00		V	713087 ⁵	32	1.752	1.756		0.250	N	• 471692N	47
1.496	1.504	0.276					1.752	1.756		0.312	N	• 471706N	47
1.125" (1-1/8") SHAFT							1.752	1.756		0.312	S	• 471706	47
		0.313			99112 Redi-Sleeve		1.983 1.987		0.250		S 471747¹	47	
		0.375			99116 Redi-Sleeve		2.000 2.004		0.250		V 471763V¹	47	
1.500	1.504	0.250		S	1037	35	2.000 2.004		0.250		S 471763¹	47	
1.624	1.628	0.190		N	3638 ^{1,5}	48	2.062	2.066		0.250	V	• 471785V	47
1.935	1.942	0.625		S	6832S	204	2.062 2.066		0.250		S 471785¹	47	
1.561	1.565	0.375		S	50151S	5S	2.533	2.537		0.250	S	472535 ¹	47
1.937	1.942	0.562		S	203003	203	1.561	1.565		0.250	N	472560N ¹	47
1.780	1.785	0.468		S	203020	203	2.047	2.051		0.312	V	472644V ¹	47
1.780	1.785	0.468		S	204020	204	2.047	2.051		0.312	S	472644 ¹	47
1.780	1.785	0.250		S	204505	204	1.983	1.987		0.375	S	472674 ¹	47
1.937	1.942	0.625		F	205004	205	2.441	2.445		0.375	V	472681V ¹	47
1.561	1.572	0.187		S	240151	24	2.441	2.445		0.375	S	472681 ¹	47
1.502	1.506	0.250		S	312140	31	2.835	2.839		0.375	S	472954 ¹	47
1.438	1.444	0.215		S	313842	31	2.835	2.839		0.375	V	472954V ¹	47
1.781	1.787	0.406		S	323133	32	2.441	2.445		0.250	S	473259 ¹	47
1.561	1.569	0.250		S	340151	34	2.441	2.445		0.250	V	• 473259V	47
1.494	1.505	0.250		S	340815	34	1.828 1.832		0.312		S 476838¹	47	
1.375	1.381	0.125		S	340835	34	2.000	2.004		0.437	S	• 480160	48
1.850	1.859	0.312		S	350974	35	1.874	1.878		0.250	S	• 480712	48
1.561	1.567	0.250		S	352560	35	1.624	1.628		0.312	S	• 481100	48
1.828	1.832	0.437		S	• 410045	41	1.752	1.756		0.375	S	• 481133	48
2.000	2.004	0.437		S	• 410160	41	2.062	2.066		0.375	S	• 481135	48
							1.624	1.628		0.250	S	• 481652	48

Size Section

RADIAL SHAFT SEALS



Hsg Bore	Seal O.D.	Flanged O.D.	Seal Width	Width w/Side Lip	Lip Mat'l	Part No.	Type/ Illus.
1.125" (1-1/8") SHAFT (cont.)							
1.624	1.628		0.250		N	• 481652N	48
2.125	2.129		0.250		S	481792¹	48
2.125	2.129		0.250		N	• 481792N	48
1.624	1.628		0.245		S	482208 ¹	48
1.874	1.878		0.375		S	• 482523	48
1.983	1.987		0.375		S	• 482674	48
1.630	1.634		0.313		S	710285	32
1.126" SHAFT							
1.693	1.699		0.256		S	1989	47
29,00mm (1.142") SHAFT							
45,00	45,23		8,00		H	320595 ⁴	32
1.772	1.781		0.315				
43,00	43,74		8,00		H	710460 ⁴	32
1.693	1.722		0.315				
1.466	1.474		0.197		S	710504	35
1.156" (1-5/32") SHAFT							
			0.375			99120 Redi-Sleeve	
1.575	1.580		0.312		V	250437V	25
2.000	2.004		0.437		S	450161 ¹	45
2.125	2.129		0.437		S	450362 ¹	45
1.828	1.832		0.437		S	450482 ¹	45
2.125	2.129		0.437		S	470362 ¹	47
1.752	1.756		0.312		S	471707 ¹	47
1.752	1.756		0.312		N	471707N ¹	47
1.874	1.878		0.250		S	471736¹	47
2.000	2.004		0.250		S	471764¹	47
2.834	2.839		0.375		S	472239 ¹	47
2.062	2.066		0.375		S	473427¹	47
1.984	1.988		0.250		S	473428¹	47
1.984	1.988		0.250		V	• 473428V	47
1.686	1.690		0.250		S	474260¹	47
1.170" SHAFT							
2.031	2.035		0.375		S	451182 ¹	45
1.175" SHAFT							
			0.313			99122 Redi-Sleeve	
1.828	1.832		0.312		N	483054N ¹	48
1.771	1.775		0.275		S	483488 ^{1,5}	48
1.177" SHAFT							
2.559	2.572		0.433		V	710663 ⁶	85
1.178" SHAFT							
2.447	2.452	2.690	0.500		V	4813V ^{1,5}	86
1.181" SHAFT							
			0.315			99114 Redi-Sleeve	
40,00	40,25		7,00		S	1129	35
1.575	1.585		0.276				
45,00	45,23		8,00		S	1981	35
1.772	1.781		0.315				
45,00	45,20	62,00	15,00		S	2016 ⁴	#
1.772	1.780	2.441	0.591				

Hsg Bore	Seal O.D.	Flanged O.D.	Seal Width	Width w/Side Lip	Lip Mat'l	Part No.	Type/ Illus.
30,00mm (1.181") SHAFT (cont.)							
58,00	58,09	63,50	9,50		N	3907 ^{1,6}	57
2.283	2.287	2.500	0.374				
40,00	40,23		7,00		S	223005	48
1.575	1.584		0.276				
42,00	42,21		7,00		N	223010 ⁵	32
1.654	1.662		0.276				
44,00	44,20		7,00		N	223012 ⁵	32
1.732	1.740		0.276				
45,00	45,20		6,00		V	223014 ⁵	32
1.772	1.780		0.236				
46,00	46,23		7,00		S	223018	32
1.811	1.820		0.276				
47,00	47,25		7,00		S	223020	35
1.850	1.860		0.276				
52,00	52,18		7,00		S	223035	35
2.047	2.054		0.276				
50,00	50,23		9,00		S	223050 ⁵	32
1.969	1.978		0.354				
50,00	50,23		9,00		N	223051 ⁴	32
1.969	1.978		0.354				
2.835	2.840		0.374		V	• 470442V	47
65,00	65,23		34,00		S	710065	#
2.559	2.568		1.339				
37,00	37,30		3,50		S	710401	35
1.457	1.461		0.138				
2.409	2.417		0.354		S	710516	40
46,00	46,30		8,00		N	712001 ⁵	32
1.811	1.823		0.315				
1.187" (1-3/16") SHAFT							
1.716	1.720		0.248		S	9487	68
2.000	2.004		0.250		S	40162S	4S
1.996	2.000		0.250		S	40576S	4S
2.047	2.051		0.250		S	43076S	4S
1.627	1.635		0.250		S	340817	34
2.125	2.129		0.375		N	• 413293N	41
2.125	2.129		0.375		S	• 413293	41
2.000	2.004		0.437		N	• 450162N	45
1.828	1.832		0.437		S	• 450344	45
2.000	2.004		0.437		N	• 470162N	47
2.000	2.004		0.437		S	470162 ¹	47
1.686	1.690		0.375		S	470328 ¹	47
2.250	2.254		0.500		S	470336 ¹	47
2.437	2.441		0.468		S	470347 ¹	47
2.686	2.690		0.500		S	470946 ¹	47
2.062	2.066		0.250		S	471354¹	47
2.000	2.004		0.250		S	471765¹	47
2.000	2.004		0.250		N	• 471765N	47
2.165	2.169		0.250		S	472350¹	47
2.441	2.445		0.375		S	472432 ¹	47
1.874	1.878		0.250		S	472475¹	47
1.752	1.756		0.250		S	473203¹	47
2.125	2.129		0.250		S	473205¹	47
1.828	1.832		0.375		S	473425¹	47
1.983	1.987		0.375		S	473426¹	47
2.437	2.441		0.250		S	474254 ¹	47

SIZE SECTION

¹Redicoat®; ⁴Counter-Clockwise-Spiral Lip Design; ⁵Clockwise-Spiral Lip Design; ⁶Bi-Directional Lip Design; ; • Non Stock Item - Special Order

Size Section

RADIAL SHAFT SEALS

SIZE SECTION

Seal Width								Seal Width							
Hsg Bore	Seal O.D.	Flanged O.D.	Seal Width	w/Side Lip	Lip Mat'l	Part No.	Type/Illus.	Hsg Bore	Seal O.D.	Flanged O.D.	Seal Width	w/Side Lip	Lip Mat'l	Part No.	Type/Illus.
1.187" (1-3/16") SHAFT (cont.)								1.250" (1-1/4") SHAFT (cont.)							
2.250	2.254		0.250		S	474255 ¹	47	1.983	1.987		0.250		S	7781S	203
2.441	2.445		0.250		S	474256 ¹	47	1.812	1.817		0.235		T	39713 ^{1,6}	DW-H
1.983	1.987		0.437		S	•480047	48	1.752	1.756		0.250		S	40140S	4S
2.125	2.129		0.437		S	•480152	48	2.000	2.004		0.250		S	40652S	4S
2.000	2.004		0.437		S	•480162	48	2.062	2.066		0.250		S	41787S	4S
1.687	1.691		0.250		S	481213¹	48	2.250	2.254		0.250		S	42081S	4S
2.000	2.004		0.250		S	•481765	48	2.000	2.004		0.290		S	200338	200
2.062	2.066		0.375		S	•482585	48	1.969	1.972		0.468		S	203012	203
1.188" SHAFT								1.979	1.983		0.406		S	203029	203
0.313 99118 Redi-Sleeve								1.979	1.983		0.406		S	204029	204
1.189" SHAFT								1.979	1.983		0.250		S	204507	204
1.496	1.506		0.217		N	710655	#	1.686	1.697		0.187		S	240356	24
1.190" SHAFT								1.499	1.509		0.156		S	240736	24
1.969	1.975		0.261		N	4738N ^{1,6}	48	1.828	1.838		0.187		S	240949	24
1.889	1.896	2.283	0.860		N	4748N ^{1,6}	#	1.625	1.630		0.188		S	251511	25
2.122	2.128		0.350		S	710068	#	1.686	1.696		0.218		S	340356	34
1.218" (1-7/32") SHAFT								1.499	1.505		0.125		S	343186	34
1.969	1.972		0.468		S	203016	203	2.000	2.004		0.437		N	•410163N	41
1.979	1.983		0.406		S	203025 ¹	203	2.000	2.004		0.437		S	410163 ¹	41
1.979	1.983		0.250		S	441319	44	2.000	2.004		0.437		N	•450163N	45
1.983	1.987		0.437		S	450048 ¹	45	2.106	2.110		0.468		S	450177	45
2.000	2.004		0.437		S	450173 ¹	45	2.062	2.066		0.437		S	•450244	45
1.219" SHAFT								2.062	2.066		0.437		S	•450244SSR	45
0.315 99123 Redi-Sleeve								2.713	2.717		0.468		S	450341 ¹	45
31,00mm (1.220") SHAFT								2.000	2.004		0.375		V	•450652V	45
42,00	42,21		8,00		V	710172	35	2.062	2.066		0.250		S	•451787	45
1.654	1.662		0.315					2.561	2.565		0.500		S	451845 ¹	45
46,00	46,20		8,00		H	710332 ⁴	32	3.155	3.160		0.500		S	453279 ¹	45
1.811	1.819		0.315					1.983	1.987		0.437		S	470049 ¹	47
1.783	1.787		0.276		S	710757	35	1.752	1.756		0.437		S	•470140	47
50,00	50,20		8,00		V	710824 ⁵	32	1.752	1.756		0.437		N	470140N ¹	47
1.969	1.976		0.315					2.000	2.004		0.437		S	470163 ¹	47
1.223" SHAFT								2.000	2.004		0.437		V	470163V ¹	47
2.128	2.136		0.750		V	710863	#	2.000	2.004		0.437		N	•470163N	47
1.238" SHAFT								2.250	2.254		0.500		S	470165 ¹	47
2.250	2.254		0.500		S	8293S	48	2.062	2.066		0.437		S	470244 ¹	47
1.240" SHAFT								2.125	2.129		0.437		S	470245 ¹	47
2.402	2.409		0.492		N	710648	#	2.125	2.129		0.268		V	•470368V	47
1.654	1.661		0.276		V	710799 ⁵	32	1.979	1.983		0.375		S	•470706	47
1.247" SHAFT								2.835	2.839		0.468		S	470806¹	47
1.687	1.691		0.312		S	6859S	33	1.874	1.878		0.437		S	•471246	47
2.625	2.633		0.480		S	8429S	#	2.441	2.445		0.375		S	471407¹	47
1.250" (1-1/4") SHAFT								1.752	1.756		0.250		N	•471413N	47
0.313 99125 Redi-Sleeve								1.752	1.756		0.250		S	471413¹	47
1.955	1.960		0.435		S	3199 ¹	48	1.752	1.756		0.250		V	471413V ¹	47
1.969	1.972		0.468		S	6906S	204	1.752	1.756		0.312		V	•471709V	47
1.750	1.754		0.250		S	7412S ^{1,5}	48	1.752	1.756		0.312		N	•471709N	47
								1.874	1.878		0.250		S	471737¹	47
								1.874	1.878		0.250		V	471737V ¹	47
								1.983	1.987		0.250		V	471750V ¹	47
								1.983	1.987		0.250		S	471750¹	47
								2.000	2.004		0.250		S	471766¹	47
								2.000	2.004		0.250		V	471766V ¹	47
								2.062	2.066		0.250		S	471787¹	47

10 ¹Redicoat®; ⁴Counter-Clockwise-Spiral Lip Design; ⁵Clockwise-Spiral Lip Design; ⁶Bi-Directional Lip Design; ; • Non Stock Item - Special Order

Size Section

RADIAL SHAFT SEALS



Hsg Bore	Seal O.D.	Seal Flanged O.D.	Seal Width	Width w/Side Lip	Lip Mat'l	Part No.	Type/ Illus.
1.250" (1-1/4") SHAFT (cont.)							
2.062	2.066		0.250		V	471787V ¹	47
2.125	2.129		0.250		S	471795¹	47
2.125	2.129		0.250		N	471795N	47
2.125	2.129		0.250		V	471795V ¹	47
2.252	2.256		0.375		S	471801¹	47
2.374	2.378		0.375		S	471808¹	47
2.437	2.441		0.375		S	471818¹	47
2.502	2.506		0.375		S	471833¹	47
2.561	2.565		0.500		N	471845N ¹	47
2.877	2.881		0.250		S	472536 ¹	47
3.150	3.155		0.375		S	• 472651	47
3.150	3.155		0.375		V	472651V ¹	47
1.686	1.691		0.250		V	473135V ¹	47
2.047	2.051		0.375		S	473551 ¹	47
1.686	1.691		0.250		S	474278 ¹	47
1.686	1.690		0.375		S	480356 ¹	48
2.000	2.004		0.375		S	• 480652	48
1.874	1.878		0.375		S	• 480683	48
1.752	1.756		0.375		V	• 481083V	48
1.752	1.756		0.375		N	• 481083N	48
1.750	1.754		0.375		N	• 481203N	48
1.752	1.756		0.250		V	• 481413V	48
1.983	1.987		0.250		S	• 481750	48
2.000	2.004		0.250		S	• 481766	48
2.062	2.066		0.250		S	• 481787	48
2.062	2.066		0.250		N	• 481787N	48
2.125	2.129		0.250		S	• 481795	48
2.251	2.256		0.375		S	• 481801RRR	48
2.252	2.256		0.375		S	• 481801	48
2.374	2.378		0.375		S	• 481808	48
2.502	2.506		0.375		S	• 481833	48
2.686	2.690		0.375		S	481859 ¹	48
2.126	2.130		0.375		N	482230N ¹	48
1.750	1.756		0.250		U	710014	#
2.398	2.402		0.228		S	710101 ⁶	74
1.904	1.912		0.315		V	710853 ⁶	#
1.750	1.754		0.250		S	712025 ²	#
1.260" SHAFT							
			0.315			99128 Redi-Sleeve	
52,00	52,25		11,00		N	1167	32
2.047	2.057		0.433				
47,00	47,24		10,00		N	3476 ^{1,5}	32
1.850	1.860		0.394				
42,00	42,20		10,00		S	223215 ⁴	40
1.654	1.661		0.394				
44,00	44,23		6,00		N	223220 ⁵	32
1.732	1.741		0.236				
45,00	45,23		8,00		N	223230 ⁵	32
1.772	1.781		0.315				
46,00	46,23		6,00		N	223235	32
1.811	1.820		0.236				
48,00	48,20		9,00		N	223240 ⁴	40
1.890	1.898		0.354				
52,00	52,28		11,00		N	223252 ⁴	32
2.047	2.058		0.433				

Hsg Bore	Seal O.D.	Seal Flanged O.D.	Seal Width	Width w/Side Lip	Lip Mat'l	Part No.	Type/ Illus.
32,00mm (1.260") SHAFT (cont.)							
53,00	53,28		7,00		N	223253 ⁵	32
2.087	2.098		0.276				
52,00	52,28		7,00		S	223255	35
2.047	2.058		0.276				
45,00	45,21		6,00		V	320348 ⁵	32
1.772	1.780		0.236				
50,00	50,14		8,00		V	710164 ¹	48
1.969	1.974		0.315				
52,00	52,20		11,00		S	710306 ⁴	32
2.047	2.055		0.433				
47,00	47,20		6,00		N	710310 ⁵	32
1.850	1.858		0.236				
48,00	48,20		10,00		S	710317 ⁴	32
1.890	1.898		0.394				
50,00	50,23		8,00		S	710415 ⁵	32
1.969	1.978		0.315				
1.850	1.858	2.193	0.339		S	710455	#
52,00	52,12		6,40		N	710469	32
2.047	2.052		0.252				
47,00	47,20		7,00		N	710681	35
1.850	1.858		0.276				
49,00	49,20		18,00		T	710769	86
1.929	1.937		0.709				
55,00	55,20		8,50		V	710819 ⁵	32
2.165	2.173		0.335				
1.280" SHAFT							
1.654	1.661		0.276		S	710282	32
1.281" (1-9/32") SHAFT							
2.000	2.006		0.250		S	353137	35
1.983	1.987		0.437		S	470050¹	47
2.000	2.004		0.375		S	473424¹	47
1.299" SHAFT							
			0.591			99121 Redi-Sleeve	
1.828	1.832		0.375		N	6370N	33
47,00	47,20		8,00		S	223340 ⁴	32
1.850	1.858		0.315				
44,00	44,18		7,00		S	710070	47
1.732	1.739		0.276				
59,00	59,20		11,00		N	710124	40
2.323	2.331		0.433				
56,00	56,23		8,00		N	710132	40
2.008	2.214		0.315				
49,00	49,23		8,00		N	710236 ⁵	32
1.929	1.938		0.315				
59,00	59,20		9,30		N	710633	40
2.323	2.331		0.366				
53,00	53,20		7,25		V	710810 ⁶	35
2.087	2.094		0.285				
47,00	47,20		5,00		V	711002 ⁵	32
1.850	1.858		0.197				
1.301" SHAFT							
2.000	2.004		0.437		S	471193 ¹	47
2.000	2.004		0.437		N	471193N ¹	47

SIZE SECTION

¹Redicoat®; ²90 PSI Max; ⁴Counter-Clockwise-Spiral Lip Design; ⁵Clockwise-Spiral Lip Design; ⁶Bi-Directional Lip Design; ; • Non Stock Item - Special Order

Size Section

RADIAL SHAFT SEALS

SIZE SECTION

Hsg Bore	Seal O.D.	Seal Flanged O.D.	Seal Width	Width w/Side Lip	Lip Mat'l	Part No.	Type/ Illus.
1.301" SHAFT (cont.)							
2.620	2.625		0.315		S	710043 ¹	#
1.311" SHAFT							
1.705	1.713		0.276		V	710775 ⁶	32
1.312" (1-5/16") SHAFT							
2.282	2.286		0.250		S	40769S	4S
1.752	1.760		0.187		S	240716	24
2.374	2.378		0.500		S	• 450053	45
2.996	3.001		0.500		S	450147 ¹	45
2.106	2.110		0.468		S	• 450179	45
1.874	1.878		0.437		S	• 450521	45
2.437	2.441		0.468		S	470503 ¹	47
2.835	2.839		0.468		S	471904¹	47
2.062	2.066		0.312		S	472826¹	47
2.000	2.004		0.312		V	• 473210V	47
2.000	2.004		0.312		S	473210¹	47
2.125	2.129		0.312		S	473211¹	47
2.250	2.254		0.312		S	473212¹	47
2.374	2.378		0.312		S	473213¹	47
2.106	2.110		0.375		S	473421¹	47
1.983	1.987		0.375		S	473422¹	47
1.874	1.878		0.375		S	473423¹	47
2.166	2.170		0.375		S	473812 ¹	47
2.502	2.506		0.375		S	481834 ¹	48
1.625	1.662		0.156		S	722108	VRS1
1.313" SHAFT							
			0.250			99129 Redi-Sleeve	
			0.500			99131 Redi-Sleeve	
1.318" SHAFT							
2.620	2.625		0.875		S	2300	#
2.280	2.286		0.906		S	5131 ^{1,6}	#
1.322" SHAFT							
2.227	2.231		0.375		S	484058 ¹	48
1.326" SHAFT							
2.226	2.247		0.500		S	5124 ¹	48
2.312	2.316		0.435		S	9161 ¹	48
2.061	2.065		0.375		S	484054 ¹	48
1.339" SHAFT							
			0.500			99134 Redi-Sleeve	
44,00	44,23		8,00		N	223400	32
1.732	1.741		0.315				
48,00	48,20		7,00		V	223420 ⁵	32
1.890	1.898		0.276				
63,00	63,09		9,00		N	710109 ⁶	40
2.480	2.484		0.354				
54,00	54,25		9,00		N	710110 ⁶	40
2.126	2.136		0.354				
48,00	48,28		7,50		S	710416	35
1.890	1.901		0.295				
53,00	53,28		8,00		N	710418	32
2.087	2.098		0.315				

Hsg Bore	Seal O.D.	Seal Flanged O.D.	Seal Width	Width w/Side Lip	Lip Mat'l	Part No.	Type/ Illus.
34,00mm (1.339") SHAFT (cont.)							
62,00	62,20		10,00		S	710422	35
2.441	2.449		0.394				
56,00	56,20		8,50		V	710704 ⁴	40
2.205	2.213		0.335				
48,00	48,20		8,00		S	710870 ⁵	40
1.890	1.898		0.315				
52,00	52,20		7,00		V	710897 ⁵	32
2.047	2.055		0.276				
1.343" SHAFT							
2.374	2.378		0.500		S	450054 ¹	45
2.106	2.110		0.375		S	473435¹	47
2.125	2.129		0.375		S	473436¹	47
2.125	2.129		0.437		S	• 480248	48
2.441	2.445		0.375		S	483793 ¹	48
1.350" SHAFT							
2.571	2.575		0.706		S	8594S	62
2.502	2.506		0.500		S	• 453309	45
1.358" SHAFT							
2.283	2.287	2.638	0.394		V	710624	74
2.451	2.459	2.709	0.354		V	710903 ⁶	86
1.360" SHAFT							
4.560	2.328	4.560	0.323		S	8549S	#
1.362" SHAFT							
2.191	2.195		0.250		S	8133S ¹	48
1.365" SHAFT							
1.955	1.960		0.435		S	3214 ¹	48
2.374	2.379		0.435		S	9568 ¹	48
2.259	2.264		0.435		S	9569S ¹	99
2.081	2.085		0.435		S	51322 ¹	5S
1.366" SHAFT							
1.783	1.791		0.276		N	710773 ⁶	32
1.375" (1-3/8") SHAFT							
			0.313			99133 Redi-Sleeve	
			0.500			99138 Redi-Sleeve	
1.952	1.957		0.500		N	2443 ⁴	25
2.244	2.254	2.484	0.405		N	2655 ^{1,4}	79
2.374	2.378		0.500		N	3116N ^{1,4}	71
2.047	2.052		0.330		N	4529N ^{1,5}	68
3.542	3.549		0.397		N	4532N ^{1,4}	93
1.982	1.989		0.192		N	4638N ¹	47
2.000	2.004		0.320		S	5872S	45
2.250	2.252		1.062		L	6200	9L
2.437	2.441		0.250		S	6241S	48
1.829	1.837		0.187		S	6597S	34
1.875	1.878		0.187		S	6668S	33
2.062	2.072		0.250		S	6760S	35
2.250	2.254		0.713		S	7495S	61
4.567	4.582		0.259		S	8676S	54
4.572	4.582		0.259		S	9344S	54
2.125	2.129		0.375		T	39140 ⁴	94

Size Section

RADIAL SHAFT SEALS



Seal							Seal								
Hsg Bore	Seal O.D.	Flanged O.D.	Seal Width	Width w/Side Lip	Lip Mat'l	Part No.	Type/ Illus.	Hsg Bore	Seal O.D.	Flanged O.D.	Seal Width	Width w/Side Lip	Lip Mat'l	Part No.	Type/ Illus.
1.375" (1-3/8") SHAFT (cont.)							1.375" (1-3/8") SHAFT (cont.)								
2.250	2.254		0.250		S	40169S	4S	2.441	2.445		0.375		S	471276 ¹	47
1.874	1.878		0.250		L	40395	4L	2.441	2.445		0.375		V	471276V ¹	47
1.874	1.879		0.250		S	40395S	4S	2.441	2.445		0.375		N	•471276N	47
2.000	2.004		0.250		S	40522S	4S	3.150	3.154		0.375		S	471379 ¹	47
2.282	2.286		0.250		S	42763	4S	2.502	2.506		0.375		S	471835¹	47
2.374	2.378		0.250		S	43089S	4S	2.561	2.565		0.500		N	471847N ¹	47
1.874	1.878		0.437		S	50395S ¹	5S	2.561	2.565		0.500		S	•471847	47
2.327	2.332		0.406		S	204027	204	2.000	2.004		0.312		S	472258¹	47
2.717	2.723		0.375		S	323125	32	2.000	2.004		0.312		V	472258V¹	47
1.828	1.834		0.250		S	323138	32	2.000	2.004		0.312		N	•472258N	47
1.874	1.878		0.312		S	330663	33	2.106	2.110		0.312		S	472287¹	47
1.750	1.756		0.187		S	340853	34	1.874	1.878		0.250		S	472354 ¹	47
1.874	1.880		0.250		S	352354	32	1.874	1.878		0.250		V	472354V ¹	47
1.874	1.880		0.312		S	352355	35	2.047	2.051		0.312		S	472642 ¹	47
2.374	2.378		0.500		S	•410055	41	2.047	2.051		0.312		V	472642V ¹	47
2.125	2.129		0.437		N	•410135N	41	2.835	2.839		0.375		S	472658¹	47
2.250	2.254		0.500		S	•410169	41	2.835	2.839		0.375		V	•472658V	47
2.062	2.066		0.437		S	•410403	41	2.623	2.627		0.375		S	472843¹	47
2.502	2.506		0.500		S	•410444	41	2.835	2.839		0.312		S	473197¹	47
2.250	2.254		0.375		S	•411000	41	2.835	2.839		0.312		V	•473197V	47
2.374	2.378		0.750		S	•412691	41	2.250	2.254		0.312		S	473214¹	47
2.374	2.378		0.500		V	•450055V	45	2.250	2.254		0.312		V	473214V ¹	47
2.106	2.110		0.468		S	•450153	45	2.374	2.378		0.312		S	473215¹	47
2.106	2.110		0.468		N	•450153N	45	2.561	2.565		0.375		S	473258¹	47
2.250	2.254		0.500		N	•450169N	45	2.082	2.087		0.312		S	•473304	47
2.250	2.254		0.500		V	•450169V	45	2.437	2.441		0.468		S	•480061	48
2.502	2.506		0.500		S	450444 ¹	45	2.437	2.441		0.468		N	•480061N	48
2.835	2.839		0.468		S	450452 ¹	45	2.125	2.129		0.437		S	•480135	48
2.835	2.839		0.468		N	•450452N	45	2.250	2.254		0.500		S	•480169	48
2.717	2.720		0.468		S	450456¹	45	2.062	2.066		0.437		S	•480403	48
2.750	2.754		0.500		S	450463 ¹	45	2.062	2.066		0.437		N	•480403N	48
3.350	3.355		0.468		S	450492 ¹	45	2.062	2.066		0.437		V	•480403V	48
3.125	3.130		0.500		S	450516 ¹	45	2.502	2.506		0.500		S	•480444	48
2.686	2.690		0.500		S	450776¹	45	2.835	2.839		0.468		S	•480452	48
3.500	3.505		0.500		S	•455292	45	2.750	2.754		0.500		S	•480463	48
2.374	2.378		0.500		N	470055N ¹	47	2.000	2.004		0.328		S	480570	48
2.374	2.378		0.500		S	•470055	47	2.062	2.066		0.375		S	•480774	48
2.437	2.441		0.468		S	•470061	47	2.437	2.441		0.375		S	•480950	48
2.125	2.129		0.437		S	470135 ¹	47	2.437	2.441		0.375		N	•480950N	48
2.125	2.129		0.437		N	•470135N	47	2.374	2.378		0.375		S	•481131	48
2.250	2.254		0.500		S	470169 ¹	47	2.125	2.129		0.312		S	•481192	48
2.062	2.066		0.437		S	470403 ¹	47	1.983	1.987		0.312		S	482163 ¹	48
2.062	2.066		0.375		S	470774¹	47	1.983	1.987		0.312		N	482163N¹	48
2.062	2.066		0.375		V	470774V ¹	47	2.250	2.254		0.325		S	•482167	48
2.062	2.066		0.375		N	•470774N	47	2.125	2.129		0.375		N	482576N	48
2.437	2.441		0.375		S	470950 ¹	47	2.125	2.129		0.375		S	•482576	48
3.000	3.005		0.500		S	470989 ¹	47	1.983	1.987		0.375		S	•483562	48
2.875	2.879		0.468		S	471105¹	47	1.983	1.987		0.375		N	•483562N	48
2.374	2.378		0.375		S	•471131	47	1.874	1.879		0.240		V	484156V ¹	48
2.374	2.378		0.375		N	•471131N	47	2.402	2.225		0.602		V	710489	74
2.125	2.129		0.312		S	471192¹	47	1.981	1.989		0.252		N	714655 ^{1,5}	48
2.125	2.129		0.312		V	471192V ¹	47	1.376" SHAFT							
2.125	2.129		0.312		N	•471192N	47	2.559	2.567		0.398		V	710668 ⁶	40
2.000	2.004		0.375		N	471268N ¹	47	2.750	2.754		0.394		V	710683 ⁶	85
2.000	2.004		0.375		V	•471268V	47								

SIZE SECTION

¹Redicoat®; ⁵Clockwise-Spiral Lip Design; ⁶Bi-Directional Lip Design; ; • Non Stock Item - Special Order

Size Section

RADIAL SHAFT SEALS

SIZE SECTION

1.376" SHAFT (cont.)								35,00mm (1.378") SHAFT (cont.)							
Hsg Bore	Seal O.D.	Seal Flanged O.D.	Seal Width	Width w/Side Lip	Lip Mat'l	Part No.	Type/ Illus.	Hsg Bore	Seal O.D.	Seal Flanged O.D.	Seal Width	Width w/Side Lip	Lip Mat'l	Part No.	Type/ Illus.
2.244	2.252		0.402		V	710692 ⁶	40	48,00	48,28		8,00		S	710051 ⁷	86
1.377" SHAFT								1.890	1.901		0.315				
2.874	2.881	3.118	0.693		N	4613N ^{1,6}	57	41,00	41,15		5,50		S	710076	35
2.162	2.167	2.411	0.354		N	4614N ^{1,6}	87	1.614	1.620		0.217				
1.378" SHAFT								2.240	2.246	2.525	0.764		N	710096 ^{1,6}	74
			0.512			99139 Redi-Sleeve		63,00	63,20		9,00		S	710138 ⁶	40
			0.512			99820 Redi-Sleeve		2.480	2.488		0.354				
48,00	48,40		7,00		S	1108 ⁵	32	65,00	65,10		12,00		S	710151	47
1.890	1.906		0.276					2.559	2.563		0.472				
76,00	76,28		9,00		N	1147 ⁵	40	49,00	49,30		8,00		S	710178	32
2.992	3.003		0.354					1.929	1.941		0.315				
47,00	47,40		7,00		H	1172 ⁵	32	54,00	54,10	61,00	10,00		N	710199 ⁶	86
1.850	1.866		0.276					2.126	2.130	2.402	0.394				
67,00	67,27		12,00		N	1173	40	54,00	54,10		8,00		S	710217	74
2.638	2.648		0.472					2.126	2.130		0.315				
1.953	1.961		0.433		N	1940 ⁵	32	56,00	56,10	63,50	16,00		V	710218	32
49,00	49,20		6,00		N	1987	33	2.205	2.209	2.500	0.630				
1.929	1.937		0.236					56,00	56,20		8,00		S	710315 ⁵	40
56,00	56,30		9,00		S	2007N ⁵	#	2.205	2.213		0.315				
2.205	2.217		0.354					50,00	50,20		11,00		S	710324 ⁴	32
2.161	2.167		0.577		H	3543 ^{1,6}	57	1.969	1.976		0.433				
52,00	52,35		7,75		N	3655 ⁵	32	50,00	50,20		8,00		H	710329 ⁴	32
2.047	2.061		0.305					1.969	1.976		0.315				
50,00	50,34		7,00		H	3771 ⁵	35	54,00	54,20		8,00		V	710331 ⁴	32
1.969	1.982		0.276					2.126	2.134		0.315				
2.097	2.113		0.305		N	4040N ⁴	32	68,00	68,20		9,00		N	710336 ⁴	40
62,00	62,28		8,00		N	4901 ⁶	40	2.677	2.685		0.354				
2.441	2.452		0.315					44,00	44,10		7,00		S	710383	47
2.500	2.513		0.435		S	7687S	35	1.732	1.736		0.276				
57,00	57,30		15,27		S	100165 ¹	74	56,00	56,20		9,00		S	710396 ⁶	40
2.244	2.246		0.601					2.205	2.213		0.354				
47,00	47,23		7,00		S	223510	35	63,00	63,28		10,00		S	710419	68
1.850	1.859		0.276					2.480	2.491		0.394				
50,00	50,24		8,00		S	223520	35	60,00	60,23		10,00		S	710424	35
1.969	1.978		0.315					2.362	2.371		0.394				
52,00	52,13		8,00		S	223535	33	71,00	71,30	77,60	13,00		N	710546 ⁶	74
2.047	2.052		0.315					2.795	2.807	3.055	0.512				
55,00	55,45		9,00		N	223540 ⁶	40	71,00	71,33		10,50		N	710583 ⁶	40
2.165	2.183		0.315					2.795	2.808		0.413				
55,00	55,23		11,00		N	223542	32	54,00	54,20		9,50		N	710616 ⁶	40
2.165	2.174		0.433					2.126	2.134		0.374				
56,00	56,27		10,00		S	223543	32	48,00	48,13		10,00		T	710618 ⁵	32
2.205	2.215		0.394					1.890	1.895		0.394				
58,00	58,10		10,00		S	223550	45	76,00	76,20		8,00		N	710629 ⁴	40
2.283	2.287		0.394					2.992	3.000		0.315				
62,00	62,28		9,50		S	223552	32	58,00	58,20		8,00		N	710630 ⁵	40
2.441	2.452		0.374					2.283	2.291		0.315				
62,00	62,28		9,00		N	223553 ⁵	40	83,00	83,19		8,00		N	710656 ⁶	74
2.441	2.452		0.354					3.268	3.275		0.315				
68,00	68,16		9,00		S	223580 ⁵	40	56,00	56,20		12,00		N	710666 ⁴	40
2.677	2.683		0.354					2.205	2.213		0.472				
48,00	48,21		7,60		V	320249 ⁵	32	57,00	47,20		9,00		N	710702 ⁴	40
1.890	1.898		0.299					2.244	1.858		0.354				
55,00	55,18		8,00		S	473823 ¹	47	50,00	50,20		9,00		N	710724 ⁴	40
2.165	2.172		0.315					1.969	1.976		0.354				

Size Section

RADIAL SHAFT SEALS



Hsg Bore	Seal O.D.	Seal Flanged O.D.	Seal Width	Width w/Side Lip	Lip Mat'l	Part No.	Type/ Illus.
35,00mm (1.378") SHAFT (cont.)							
50,00	50,20		9,50		V	710730 ⁵	32
1.969	1.976		0.374				
50,00	50,20		9,00		N	710739 ⁵	40
1.969	1.976		0.354				
58,00	58,20		9,50		N	710752 ⁶	40
2.283	2.291		0.374				
55,00	55,20		9,00		N	710806 ⁵	40
2.165	2.173		0.354				
48,00	48,20		12,00		N	710818	86
1.890	1.898		0.472				
2.582	2.590	2.795	0.512		S	710864	74
47,00	47,20		7,50		T	711008 ⁵	32
1.850	1.858		0.295				
52,00	52,20		7,00		S	711027	32
2.047	2.055		0.276				
50,00	50,34		7,00		V	713771 ⁵	35
1.969	1.982		0.276				
48,00	48,20		8,00		S	714436	32
1.890	1.898		0.315				
1.380" SHAFT							
2.288	2.291	2.638	0.750		V	710429	87
1.399" SHAFT							
2.482	2.750		0.310		V	4795V ^{1,6}	74
2.292	2.296		0.460		S	8660S ^{1,6}	48
2.250	2.254		0.250		S	470672 ¹	47
2.290	2.294		0.500		S	710166 ¹	74
1.400" SHAFT							
2.282	2.288		0.547		V	4857 ⁶	86
1.406" (1-13/32") SHAFT							
2.125	2.129		0.437		L	50126	5L
1.417" SHAFT							
			0.518			99146 Redi-Sleeve	
60,00	60,20		8,00		V	1965	48
2.362	2.370		0.315				
55,00	55,09		11,10		S	2003N ¹	47
2.165	2.169		0.437				
47,00	47,20		7,00		S	223601	35
1.850	1.858		0.276				
49,00	49,28		7,00		H	223602 ⁵	32
1.929	1.940		0.276				
50,00	50,08		7,00		S	223605 ¹	47
1.969	1.972		0.276				
52,00	52,20		10,00		S	223608 ⁴	32
2.047	2.055		0.394				
1.953	1.961		0.276		N	321417N ⁵	32
1.969	1.972		0.276		S	• 474097	47
58,00	58,30		8,00		S	474288	47
2.283	2.295		0.315				
65,00	65,20		8,00		S	710057	48
2.559	2.567		0.315				
54,00	54,28		7,00		N	710197	40
2.126	2.137		0.276				

Hsg Bore	Seal O.D.	Seal Flanged O.D.	Seal Width	Width w/Side Lip	Lip Mat'l	Part No.	Type/ Illus.
36,00mm (1.417") SHAFT (cont.)							
44,00	44,23		5,00		S	710252	32
1.732	1.741		0.197				
46,00	46,10		9,00		S	710343	33
1.811	1.815		0.354				
55,00	55,32		11,00		S	710479	65
2.165	2.178		0.433				
67,00	67,20		12,00		V	710592 ⁴	87
2.638	2.646		0.472				
61,00	61,20	67,00	10,00		E	710709 ⁶	87
2.402	2.409	2.638	0.394				
1.435" SHAFT							
		0.563				99143 Redi-Sleeve	
1.437" (1-7/16") SHAFT							
2.061	2.066		0.312		S	3395¹	47
2.000	2.006		0.125		S	340930	34
2.250	2.254		0.500		S	• 410171	41
2.437	2.441		0.468		S	470062 ¹	47
2.250	2.254		0.500		N	• 470171N	47
2.250	2.254		0.500		S	• 470171	47
2.125	2.129		0.437		S	• 470453	47
2.125	2.129		0.437		N	• 470453N	47
2.750	2.754		0.500		S	470808 ¹	47
3.000	3.005		0.500		S	471405 ¹	47
2.686	2.690		0.375		S	471862¹	47
2.312	2.316		0.375		S	472655 ¹	47
2.250	2.254		0.312		N	• 473016N	47
2.250	2.254		0.312		S	473016¹	47
2.125	2.129		0.312		S	473224¹	47
2.374	2.378		0.312		S	473225¹	47
2.502	2.506		0.312		S	473226¹	47
2.623	2.627		0.375		S	473437¹	47
2.061	2.066		0.312		S	• 474090	47
2.437	2.441		0.312		S	474264¹	47
2.374	2.378		0.500		S	• 480057	48
2.502	2.506		0.500		S	• 480144	48
2.250	2.254		0.500		S	• 480171	48
2.125	2.129		0.437		S	• 480453	48
2.125	2.129		0.437		N	• 480453N	48
1.988	1.992		0.276		V	710611 ⁵	32
1.438" SHAFT							
		0.375				99144 Redi-Sleeve	
1.457" SHAFT							
		0.375				99145 Redi-Sleeve	
62,00	62,26		14,00		S	4989	#
2.441	2.451		0.551				
50,00	50,25		6,00		N	223750 ⁵	32
1.969	1.978		0.236				
62,00	62,23		10,00		S	710228	40
2.441	2.450		0.394				
56,00	56,20		12,50		V	710259 ⁶	32
2.205	2.213		0.492				
1.988	1.996		0.276		N	710355 ⁵	32

SIZE SECTION

¹Redicoat®; ⁴Counter-Clockwise-Spiral Lip Design; ⁵Clockwise-Spiral Lip Design; ⁶Bi-Directional Lip Design; ; • Non Stock Item - Special Order

Size Section

RADIAL SHAFT SEALS

SIZE SECTION

Seal Width								Seal Width							
Hsg Bore	Seal O.D.	Flanged O.D.	Seal Width	w/Side Lip	Lip Mat'l	Part No.	Type/Illus.	Hsg Bore	Seal O.D.	Flanged O.D.	Seal Width	w/Side Lip	Lip Mat'l	Part No.	Type/Illus.
1.457" SHAFT (cont.)								38,00mm (1.496") SHAFT (cont.)							
3.087	3.095	3.327	0.433		V	710662 ⁶	85	55,00	55,25		9,00		N	223831 ⁵	32
54,00	54,20		12,00		N	710807 ⁶	32	2.165	2.175		0.354				
2.126	2.134		0.472					58,00	58,11		8,00		S	223840 ¹	47
56,00	56,20		8,00		N	710913 ⁵	40	2.283	2.288		0.315				
2.205	2.213		0.315					58,00	58,11		8,00		V	223842	48
1.468" (1-15/32") SHAFT								2.283	2.288		0.315				
2.375	2.379		0.375		S	473438 ¹	47	60,00	60,35		8,00		S	223843	35
2.437	2.441		0.375		S	473439 ¹	47	2.362	2.376		0.315				
2.374	2.378		0.500		S	•480058	48	54,00	54,30		7,00		S	239146	48
2.374	2.378		0.500		N	•480058N	48	2.126	2.138		0.276				
1.470" SHAFT								2.283	2.288		0.315		S	•474119	47
2.913	2.920		0.383		S	710566	79	2.058	2.063		0.250		S	482415 ¹	48
1.476" SHAFT								58,00	58,27		10,00		N	710139	40
2.953	2.961		0.571		S	710688 ⁶	#	2.283	2.294		0.394				
1.479" SHAFT								49,00	49,20		8,00		N	710247 ⁵	62
2.563	2.567		0.470		S	710304	49	1.929	1.937		0.315				
1.480" SHAFT								52,00	52,20		6,00		S	710309	32
1.929	1.941		0.295		V	710531	32	2.047	2.055		0.236				
1.484" SHAFT								58,00	58,10		11,00		S	710319	47
2.254	2.258		0.250		L	40468	4L	2.283	2.287		0.433				
2.254	2.258		0.312		L	50468	5L	55,00	55,28		8,00		V	710524	48
2.375	2.388	2.913	0.433		N	710441	79	2.165	2.176		0.315				
1.491" SHAFT								65,00	65,21		10,00		N	710594 ⁶	40
2.191	2.195		0.250		S	8597S	48	2.559	2.567		0.394				
1.496" SHAFT								50,00	50,22		8,00		N	710613 ⁵	32
			0.512			99147 Redi-Sleeve		1.969	1.977		0.315				
59,00	59,30		9,00		N	1038 ⁵	32	58,00	58,20		10,00		V	710619 ⁶	32
2.323	2.335		0.354					2.283	2.291		0.394				
53,00	53,30		7,00		V	1120 ⁴	32	50,00	50,22		8,00		N	710642	32
2.087	2.098		0.276					2.047	2.055		0.276		V	710711 ⁵	32
52,00	52,25		8,50		S	1174	32	1.969	1.976		0.248				
2.047	2.057		0.335					3.346	3.354		0.394				
65,00	65,27		12,00		N	1176	#	63,00	63,20		9,00		N	710715 ⁴	40
2.559	2.570		0.472					2.480	2.488		0.354				
74,00	74,27		11,00		N	1177	32	54,00	54,20		9,00		N	710716 ⁵	40
2.913	2.924		0.433					2.126	2.134		0.354				
52,00	52,25		6,00		S	1196	47	62,00	62,20		9,00		N	710721 ⁶	40
2.047	2.057		0.236					2.441	2.449		0.354				
2.049	2.053	2.303	0.250		S	3357 ¹	283	74,00	74,20		11,00		V	710823 ⁶	40
54,00	54,10		25,00		T	39875 ⁵	#	2.913	2.921		0.433				
2.126	2.130		0.984					50,00	50,20		7,00		V	710834 ⁴	41
50,00	50,28		10,50		N	223800 ⁵	32	1.969	1.976		0.276				
1.969	1.980		0.413					50,00	50,20		22,00		N	710918	#
50,00	50,28		6,00		S	223801	32	1.969	1.976		0.866				
1.969	1.980		0.236					1.500" (1-1/2") SHAFT							
50,00	50,22		8,00		N	223802 ^{1,5}	32				0.375			99150 Redi-Sleeve	
1.969	1.977		0.315								0.563			99149 Redi-Sleeve	
47,00	47,10		7,00		S	223805	25	2.372	2.376		0.420		N	2194 ^{1,4}	88
1.850	1.854		0.276					1.989	1.993	2.500	0.285		S	3677 ¹	287
55,00	55,28		8,00		N	223830	32	2.249	2.254		0.250		S	5115 ^{1,5}	47
2.165	2.176		0.315					2.187	2.187		0.500		L	6312 ⁸	8L
								2.062	2.066		0.250		F	6545 ¹	21
								1.997	2.001		0.531		S	6759S	1S

16 ¹Redicoat®; ⁴Counter-Clockwise-Spiral Lip Design; ⁵Clockwise-Spiral Lip Design; ⁶Bi-Directional Lip Design; ⁸External Bore; ; • Non Stock Item - Special Order

Size Section

RADIAL SHAFT SEALS



Seal							Seal								
Hsg Bore	Seal O.D.	Flanged O.D.	Seal Width	Width w/Side Lip	Lip Mat'l	Part No.	Type/ Illus.	Hsg Bore	Seal O.D.	Flanged O.D.	Seal Width	Width w/Side Lip	Lip Mat'l	Part No.	Type/ Illus.
1.500" (1-1/2") SHAFT (cont.)							1.500" (1-1/2") SHAFT (cont.)								
2.062	2.066		0.240		S	7537S	24	2.125	2.129		0.437		S	470394 ¹	47
2.372	2.376	2.640	0.420		N	7692S ^{1,4}	79	2.125	2.129		0.437		N	470394N ¹	47
2.437	2.441		0.250		S	7886S	48	2.062	2.066		0.437		S	470451 ¹	47
2.260	2.264		0.405		S	9363S ¹	41	2.686	2.690		0.500		S	470487 ¹	47
2.377	2.381	2.550	0.470		S	9613S ^{1,4}	71	2.686	2.690		0.500		N	470487N¹	47
2.374	2.378		0.250		S	40059S	4S	2.250	2.254		0.375		S	470548 ¹	47
2.437	2.441		0.250		S	40063S	4S	2.250	2.254		0.312		S	470625¹	47
1.983	1.987		0.250		L	40382	4L	2.250	2.254		0.312		V	470625V ¹	47
1.989	1.993		0.250		L	41257	4L	2.250	2.254		0.312		N	470625N	47
2.623	2.627		0.250		S	41461S	4S	2.441	2.445		0.375		S	471344¹	47
1.938	1.942		0.250		S	42260S	4S	2.252	2.256		0.375		S	471507	47
2.502	2.506		0.437		S	51098 ¹	48	2.252	2.256		0.375		N	471507N	47
2.256	2.260		0.270		S	200859 ⁸	200E	2.437	2.441		0.375		S	471820¹	47
2.462	2.482		0.290		S	200861 ⁸	200E	2.835	2.839		0.468		S	471915 ¹	47
2.327	2.332		0.406		S	203013	203	3.000	3.005		0.375		S	471958¹	47
2.327	2.332		0.406		S	204013	204	2.377	2.381		0.500		S	472189A ^{1,4}	47
2.327	2.332		0.406		S	204013X	204	3.150	3.155		0.500		S	472446 ¹	47
2.000	2.010		0.187		S	240319	24	2.048	2.052		0.375		S	472466 ¹	47
1.874	1.879		0.250		S	253099	25	1.983	1.987		0.437		S	472554 ¹	47
2.000	2.008		0.315		S	321412	32	2.125	2.129		0.312		S	473227¹	47
2.055	2.065		0.276		N	321416 ⁵	32	2.125	2.129		0.312		V	473227V ¹	47
2.249	2.253	2.450	0.360		N	331228H ^{1,5}	75	2.125	2.129		0.312		N	473227N	47
2.250	2.258		0.250		S	340136	34	2.502	2.506		0.312		S	473228¹	47
1.874	1.880		0.250		S	343099	34	2.502	2.506		0.312		V	473228V ¹	47
2.125	2.134		0.437		S	350394	35	2.502	2.506		0.312		N	473228N	47
2.374	2.378		0.500		S	410059 ¹	41	2.750	2.754		0.312		S	473440¹	47
2.374	2.378		0.500		N	410059N	41	1.983	1.988		0.250		S	474276 ¹	47
2.502	2.506		0.500		S	410067	41	1.983	1.988		0.250		V	474276V ¹	47
2.561	2.565		0.500		S	410190¹	41	2.758	2.763		0.312		S	474281¹	47
2.125	2.129		0.437		S	410394	41	2.374	2.378		0.500		S	480059	48
2.125	2.129		0.437		N	410394N	41	2.374	2.378		0.500		N	480059N	48
1.983	1.988		0.187		S	443018	44	2.502	2.506		0.500		S	480067	48
2.374	2.378		0.500		N	450059N	45	2.758	2.762		0.500		S	480077	48
2.374	2.378		0.500		V	450059V	45	2.250	2.254		0.500		S	480136	48
2.502	2.506		0.500		S	450067 ¹	45	2.875	2.879		0.468		S	480523	48
2.502	2.506		0.500		N	450067N	45	2.062	2.066		0.250		S	480630¹	48
2.502	2.506		0.500		S	450067S	45	2.441	2.445		0.500		S	480814	48
2.996	3.001		0.500		S	450326¹	45	2.222	2.226		0.312		S	480844 ¹	48
2.125	2.129		0.437		H	450394RH	45	2.062	2.066		0.375		S	480991 ¹	48
2.750	2.754		0.500		S	450461	45	2.000	2.004		0.312		S	481163 ¹	48
3.350	3.355		0.468		S	450493	45	2.252	2.256		0.375		S	481507	48
2.875	2.879		0.468		S	450523¹	45	2.252	2.256		0.375		N	481507N	48
3.189	3.194		0.437		S	450540	45	2.252	2.256		0.375		V	481507V	48
2.250	2.254		0.375		N	450548N	45	2.502	2.506		0.375		S	481837 ¹	48
2.717	2.720		0.468		S	450984¹	45	2.328	2.332		0.437		S	482591	48
2.374	2.378		0.375		S	451308	45	2.000	2.005		0.250		U	710023	#
2.623	2.627		0.500		S	451857¹	45	1.875	1.880		0.188		S	710044	34
1.983	1.987		0.437		N	452554N ¹	45	2.500	2.512		0.354		T	710414	35
2.254	2.258		0.312		S	453065	45	2.375	2.389		0.433		S	710426 ^{6,9}	40
3.544	3.548		0.500		S	455308	45	2.247	2.253	2.450	0.239		N	710628 ^{1,4}	75
2.374	2.378		0.500		S	470059 ¹	47	2.311	2.315		0.500		V	712023 ²	#
2.374	2.378		0.500		N	470059N	47	1.502" SHAFT							
2.758	2.762		0.500		S	470077 ¹	47	2.126	2.132		0.492		N	4530 ^{1,4}	96
2.375	2.378		0.312		S	470380¹	47	2.377	2.381		0.374		N	4583 ^{1,4}	86
2.375	2.378		0.312		V	470380V ¹	47								

SIZE SECTION

¹Redicoat®; ²90 PSI Max; ⁴Counter-Clockwise-Spiral Lip Design; ⁵Clockwise-Spiral Lip Design; ⁶Bi-Directional Lip Design; ⁸External Bore; ⁹Triple Lip Design; ; • Non Stock Item - Special Order **17**

Size Section

RADIAL SHAFT SEALS

SIZE SECTION

Hsg Bore	Seal O.D.	Seal Flanged O.D.	Seal Width	Width w/Side Lip	Lip Mat'l	Part No.	Type/ Illus.
1.502" SHAFT (cont.)							
2.136	2.144		0.488		N	710760 ⁴	#
1.503" SHAFT							
2.376	2.383		0.420		N	4370N ^{1,4}	88
2.374	2.379	2.723	0.374		N	4934 ^{1,4}	79
1.504" SHAFT							
2.375	2.381		0.362		V	710691 ⁴	40
1.512" SHAFT							
2.322	2.337		0.339		T	710605 ⁵	32
1.516" SHAFT							
2.087	2.096		0.315		N	710233 ⁵	32
2.283	2.291		0.433		N	710318 ⁵	32
1.988	1.996		0.295		V	710859 ⁵	32
1.520" SHAFT							
2.656	2.660		0.425		N	710532	75
1.521" SHAFT							
2.656	2.660		0.424		S	8610 ^{1,5}	74
2.656	2.660		0.594		S	8611N ¹	74
2.661	2.669	2.874	0.445		S	710547	75
1.523" SHAFT							
			0.438			99152 Redi-Sleeve	
2.714	2.718		0.500		S	8940S	48
1.531" (1-17/32") SHAFT							
2.374	2.378		0.500		S	410060	41
2.374	2.378		0.375		S	452222¹	45
2.374	2.379		0.375		S	472222 ¹	47
1.532" SHAFT							
3.143	3.146		0.315		V	710673 ⁴	32
1.535" SHAFT							
1.988	1.998		0.335		S	1126	25
57,00	57,38		9,65		V	324204 ⁵	32
2.244	2.259		0.380				
59,00	59,30		11,00		S	710118	40
2.323	2.335		0.433				
50,00	50,29		11,00		N	710120	35
1.969	1.980		0.433				
57,00	57,20		15,00		N	710122	40
2.244	2.252		0.591				
57,00	57,20		11,00		N	710123	40
2.244	2.252		0.433				
59,00	59,28		11,00		N	710214	40
2.323	2.334		0.433				
52,00	52,10		6,00		S	710338	66
2.047	2.051		0.236				
54,00	54,10		6,00		S	710404	49
2.126	2.130		0.236				
2.094	2.098		0.315		N	710451 ⁵	32
72,00	72,24		8,00		V	710486 ⁴	32
2.835	2.844		0.315				

Hsg Bore	Seal O.D.	Seal Flanged O.D.	Seal Width	Width w/Side Lip	Lip Mat'l	Part No.	Type/ Illus.
39,00mm (1.535") SHAFT (cont.)							
63,00	63,20		8,60		V	710582 ⁶	32
2.480	2.488		0.339				
59,00	59,32		8,00		N	710632	40
2.323	2.335		0.315				
63,00	63,20		10,50		V	710738 ⁶	40
2.480	2.488		0.413				
56,00	56,20	66,00	14,50		N	710772	40
2.205	2.213	2.598	0.571				
82,00	82,20		13,00		N	710921	40
3.228	3.236		0.512				
60,00	60,20		10,30		N	710922	40
2.362	2.370		0.406				
1.550" SHAFT							
2.686	2.690		0.500		S	8695S ^{1,6}	47
1.552" SHAFT							
			0.438			99155 Redi-Sleeve	
2.400	2.402	2.775	0.415		S	4244 ⁶	72
3.160	3.166		0.567		V	4434V	86
3.160	3.165		0.608		V	4941V ¹	74
3.160	3.165		0.645		N	5778 ¹	72
3.160	3.165		0.645		V	5778V	72
2.502	2.506		0.500		N	472635N	47
2.502	2.506		0.500		S	472635 ¹	47
2.447	2.452	2.700	3.934		S	710046 ^{1,5}	86
3.160	3.165		0.630		V	710461	72
3.160	3.165		0.546		V	710482	86
2.447	2.452		0.394		N	710657 ⁵	86
2.502	2.506		0.312		N	711552	47
1.558" SHAFT							
2.372	2.376	2.720	0.350		S	2506 ¹	79
2.250	2.254	2.515	0.437		S	8935S	79
1.561" SHAFT							
2.565	2.570	2.839	0.314		V	710712 ⁵	74
1.562" (1-9/16") SHAFT							
			0.563			99156 Redi-Sleeve	
2.833	2.840		0.493		V	4889 ^{1,6}	#
2.873	2.880		0.493		V	4890 ^{1,6}	47
2.686	2.690		0.375		L	5796	201
2.684	2.701		0.250		S	6336S ⁸	26
2.062	2.066		0.200		S	7994S	44
2.441	2.457		0.500		S	8160S	32
2.062	2.066		0.250		S	8421S	33
2.125	2.129		0.375		T	39711 ⁵	FW-H
2.062	2.067		0.188		T	39920 ⁵	FW-H
2.374	2.378		0.250		S	40438S	4S
2.531	2.621		0.285		S	200640 ⁸	200E
2.237	2.257		0.290		S	200887 ⁸	200E
2.062	2.066		0.250		V	330749V	33
2.096	2.102		0.250		S	340927	34
2.437	2.441		0.468		S	410064	41
2.758	2.762		0.500		S	410273	41

Size Section

RADIAL SHAFT SEALS



Seal							Seal								
Hsg Bore	Seal O.D.	Flanged O.D.	Seal Width	Width w/Side Lip	Lip Mat'l	Part No.	Type/ Illus.	Hsg Bore	Seal O.D.	Flanged O.D.	Seal Width	Width w/Side Lip	Lip Mat'l	Part No.	Type/ Illus.
1.562" (1-9/16") SHAFT (cont.)							40,00mm (1.575") SHAFT (cont.)								
2.125	2.129		0.437		S	• 411016	41	75,00	75,26		12,00		N	2011 ⁵	40
2.561	2.565		0.500		S	450143¹	45	2.953	2.963		0.472		N	3459 ^{1,6}	74
2.502	2.506		0.500		S	450185 ¹	45	58,00	58,14	64,00	9,00		N	4175	#
2.502	2.506		0.500		V	450185V ¹	45	2.283	2.289	2.520	0.354		S	4175	#
2.502	2.506		0.500		N	• 450185N	45	52,00	52,22		9,00		S	4175	#
2.758	2.762		0.500		S	450273¹	45	2.047	2.056		0.354		S	224010	35
2.717	2.720		0.468		S	450803 ¹	45	52,00	52,28		7,00		S	224010	35
2.996	3.000		0.312		S	• 453510	45	2.047	2.058		0.276		S	224015 ¹	32
2.437	2.441		0.468		S	470064 ¹	47	52,00	52,28		7,00		S	224015 ¹	32
2.750	2.754		0.500		S	• 470109	47	2.047	2.058		0.276		S	224015 ¹	32
2.875	2.879		0.468		S	• 470418	47	55,00	55,28		8,00		N	224020 ⁵	32
2.623	2.627		0.312		S	470682¹	47	2.165	2.176		0.315		N	224025 ^{1,5}	48
2.441	2.445		0.500		S	• 470684	47	56,00	56,25		7,00		N	224025 ^{1,5}	48
2.502	2.506		0.375		S	• 470903	47	2.205	2.215		0.276		V	224026	35
2.686	2.690		0.375		S	471316¹	47	56,00	56,26		7,00		V	224026	35
2.437	2.441		0.375		S	471821¹	47	2.205	2.215		0.276		S	224040	35
2.441	2.445		0.375		S	471827¹	47	60,00	60,20		10,00		S	224040	35
2.250	2.254		0.312		S	472213¹	47	2.362	2.370		0.394		S	224045 ⁶	32
2.374	2.378		0.312		V	472299V ¹	47	62,00	62,27		11,00		S	224045 ⁶	32
2.374	2.378		0.312		S	472299¹	47	2.441	2.452		0.433		S	224045 ⁶	32
2.502	2.506		0.312		S	473229¹	47	52,00	52,28		7,00		S	224052 ⁵	32
2.750	2.754		0.375		S	473441¹	47	2.047	2.058		0.276		V	224053 ⁴	32
2.875	2.879		0.375		S	473442¹	47	52,00	52,12		7,00		V	224053 ⁴	32
3.150	3.155		0.312		S	473490 ¹	47	2.047	2.052		0.276		N	224063 ⁵	40
2.125	2.129		0.375		S	473517¹	47	63,00	63,30		8,00		N	224063 ⁵	40
3.543	3.548		0.375		S	476510 ¹	47	2.480	2.492		0.315		N	224066 ⁵	40
2.437	2.441		0.468		S	• 480064	48	66,00	66,30		8,00		N	224066 ⁵	40
2.502	2.506		0.500		S	• 480185	48	2.598	2.610		0.315		N	224068 ⁵	40
2.437	2.441		0.500		S	• 480963	48	68,00	68,10		9,00		N	224068 ⁵	40
2.125	2.129		0.437		S	• 481016	48	2.677	2.681		0.354		S	224100	35
2.125	2.129		0.437		N	• 481016N	48	65,00	65,28		10,00		S	224100	35
1.565" SHAFT							1.565" SHAFT								
2.372	2.382		0.394		S	710198	40	2.559	2.570		0.394		S	239201	40
1.567" SHAFT							1.567" SHAFT								
2.441	2.449		0.315		V	710904 ⁵	32	52,00	52,20	62,00	6,50		S	239201	40
1.569" SHAFT							1.569" SHAFT								
			0.625			99159 Redi-Sleeve		2.047	2.055	2.441	0.256		V	350572	35
1.574" SHAFT							1.574" SHAFT								
2.676	2.683		0.500		N	4141	#	72,00	72,35		7,00		V	350572	35
2.410	2.415		0.540		V	714569 ⁶	32	2.835	2.848		0.276		S	473677 ¹	47
1.575" SHAFT							1.575" SHAFT								
			0.390			99153 Redi-Sleeve		55,00	55,09		8,00		S	473677 ¹	47
76,00	76,25		9,00		S	1036 ⁵	40	2.165	2.169		0.315		S	474133 ¹	47
2.992	3.002		0.354		N	1146 ⁴	32	74,00	74,12		10,00		S	474133 ¹	47
76,00	76,28		12,50		N	1146 ⁴	32	2.913	2.918		0.394		S	710113	40
2.992	3.003		0.492		N	1213N ¹	47	75,00	75,30		12,00		S	710113	40
54,00	54,10		5,50		N	1213N ¹	47	2.953	2.965		0.472		S	710134	40
2.126	2.130		0.217		N	1217	35	56,00	56,20	65,00	10,00		S	710134	40
52,00	52,28	56,00	9,00		N	1217	35	2.205	2.213	2.559	0.394		S	710147	40
2.047	2.058	2.205	0.354		S	1962 ^{1,7}	78	60,00	60,20		8,00		S	710147	40
52,00	52,12		8,50		S	1962 ^{1,7}	78	2.362	2.370		0.315		V	710196	32
2.047	2.052		0.335		S	1962 ^{1,7}	78	62,00	62,27		10,00		V	710196	32
								2.441	2.452		0.394		S	710227	32
								62,00	62,30		6,50		S	710227	32
								2.441	2.453		0.256		N	710250	91
								70,00	70,20	73,00	14,50		N	710250	91
								2.756	2.764	2.874	0.571		N	710287 ⁶	32
								54,00	54,20		10,00		N	710287 ⁶	32
								2.126	2.134		0.394		S	710300	47
								55,00	55,20		9,00		S	710300	47
								2.165	2.173		0.354		S	710300	47

SIZE SECTION

¹Redicoat®; ⁴Counter-Clockwise-Spiral Lip Design; ⁵Clockwise-Spiral Lip Design; ⁶Bi-Directional Lip Design; ⁷Flanged O.D.; • Non Stock Item - Special Order

Size Section

RADIAL SHAFT SEALS

SIZE SECTION

Hsg Bore	Seal		Width		Lip Mat'l	Part No.	Type/ Illus.	Hsg Bore	Seal		Width		Lip Mat'l	Part No.	Type/ Illus.
	O.D.	Flanged O.D.	Seal Width	w/Side Lip					O.D.	Flanged O.D.	Seal Width	w/Side Lip			
40,00mm (1.575") SHAFT (cont.)								40,00mm (1.575") SHAFT (cont.)							
52,00	52,20		6,00		N	710308 ⁵	32	55,00	55,10	62,20	12,00		N	710808 ⁶	#
2.047	2.055		0.236					2.165	2.170	2.449	0.472				
54,00	54,10		7,00		S	710311	25	72,00	72,20		10,00		V	710839 ⁴	40
2.126	2.130		0.276					2.835	2.843		0.394				
57,00	57,20		10,00		S	710432	32	65,00	65,20	68,00	6,50		V	710889 ⁵	74
2.244	2.252		0.394					2.559	2.567	2.677	0.256				
54,00	54,20		6,00		S	710444 ⁴	32	76,00	76,20		7,00		N	710898 ⁴	32
2.126	2.134		0.236					2.992	3.000		0.276				
69,00	69,20		13,50		N	710491	32	55,00	55,20		7,00		V	711005 ⁵	32
2.717	2.724		0.531					2.165	2.173		0.276				
2.618	2.626		0.748		N	710492	#	75,00	75,20		12,00		S	712011	32
2.283	2.293		0.236		S	710505	32	2.953	2.961		0.472				
58,00	58,20		8,50		N	710512 ⁴	40	56,00	56,26		10,00		S	712551	32
2.283	2.291		0.335					2.205	2.215		0.394				
72,00	72,20		11,00		S	710523	40	1.578" SHAFT							
2.835	2.843		0.433							0.512			99157 Redi-Sleeve		
2.618	2.626		0.748		N	710530	#	2.408	2.412		0.500		S	450666 ¹	45
60,00	60,12		5,50		V	710539 ⁵	32	1.593" (1-19/32") SHAFT							
2.362	2.367		0.217					2.437	2.441		0.468		S	450065 ¹	45
56,00	56,12	63,00	10,00		N	710540 ⁶	57	2.758	2.762		0.500		S	450274 ¹	45
2.206	2.209	2.480	0.394					2.623	2.627		0.340		S	451469 ¹	45
69,00	69,20		15,40		S	710548	32	2.502	2.506		0.250		S	482253 ¹	48
2.717	2.724		0.606					2.502	2.506		0.250		N	• 482253N	48
75,00	75,15		13,50		V	710591 ⁴	87	1.594" SHAFT							
2.953	2.959		0.532					2.125	2.129		0.250		S	480581 ¹	48
56,00	56,20		8,00		V	710598 ⁶	40	2.125	2.129		0.281		N	• 481384N	48
2.205	2.213		0.315					2.067	2.075		0.236		N	710436 ⁵	35
75,00	75,20		11,00		N	710670 ⁴	40	3.150	3.157		0.394		N	710736	75
2.953	2.961		0.433					1.598" SHAFT							
58,00	58,20		9,00		E	710677 ⁶	32	2.476	2.483	2.747	0.420		N	4764 ^{1,4}	86
2.283	2.291		0.354					2.476	2.483	2.747	0.350		V	4765 ^{1,4}	79
58,00	58,20		8,00		E	710678 ⁴	32	1.605" SHAFT							
2.830	2.291		0.315							0.500			99160 Redi-Sleeve		
69,00	69,20		13,50		S	710686 ⁶	40	2.795	2.804	3.061	0.364		N	4674N ^{1,6}	#
2.717	2.724		0.531					2.560	2.565		0.369		N	714679 ^{1,6}	90
75,00	75,10		15,00		N	710687 ⁶	#	1.609" SHAFT							
2.953	2.957		0.591					2.435	2.441		0.300		V	2658V ^{1,5}	75
58,00	58,20		11,00		N	710689 ⁴	32	1.610" SHAFT							
2.283	2.291		0.433					2.500	2.531		0.300		S	6283S	26
55,00	55,20		7,33		V	710717 ⁶	32	1.614" SHAFT							
2.165	2.173		0.289							0.500			99163 Redi-Sleeve		
64,00	64,20		10,00		N	710727	40	55,00	55,29		7,00		S	1180	32
2.520	2.528		0.394					2.165	2.177		0.276				
64,00	64,20		9,00		N	710731 ⁵	40	53,00	53,25		7,00		S	1950 ¹	41
2.520	2.528		0.354					2.087	2.096		0.276				
64,00	64,20		8,00		N	710733 ⁶	40	59,00	59,10		10,00		N	710114 ⁵	98
2.520	2.528		0.315					2.323	2.327		0.394				
75,00	75,20		10,00		V	710737 ⁶	32	61,00	61,20		8,00		N	710141 ⁴	40
2.953	2.961		0.394					2.402	2.409		0.315				
62,00	62,20		11,00		N	710770	32	62,00	62,23		9,00		N	710220 ⁵	32
2.441	2.449		0.433					2.441	2.450		0.354				
75,00	75,20		10,00		V	710776 ⁶	32								
2.953	2.961		0.394												
58,00	58,20	63,00	11,20		N	710797 ⁶	74								
2.283	2.291	2.480	0.441												
55,00	55,20		7,50		N	710798 ⁶	40								
2.165	2.173		0.295												

Size Section

RADIAL SHAFT SEALS



Hsg Bore	Seal O.D.	Flanged O.D.	Seal Width	Width w/Side Lip	Lip Mat'l	Part No.	Type/ Illus.
41,00mm (1.614") SHAFT (cont.)							
68,00	68,20		13,00		S	710402	32
2.677	2.685		0.512				
61,00	61,14		16,00		N	710497 ⁶	32
2.402	2.407		0.630				
2.435	2.440		0.299		N	710535 ⁵	32
74,00	74,20		11,00		N	710697 ⁶	40
2.913	2.921		0.433				
61,00	61,14		9,00		V	710747 ⁶	40
2.402	2.407		0.354				
56,00	56,13		7,00		V	711181 ⁵	32
2.205	2.210		0.276				
1.618" SHAFT							
2.531	2.535		0.750		S	8477S	48
2.575	2.579		0.460		S	8835S ^{1,6}	33
2.124	2.128		0.250		V	• 483525V	48
1.619" SHAFT							
2.841	2.849	3.179	0.500		N	4762N ^{1,6}	74
1.625" (1-5/8") SHAFT							
			0.313			99161 Redi-Sleeve	
			0.563			99162 Redi-Sleeve	
2.251	2.255		0.375		S	1999 ¹	48
2.562	2.566		0.437		S	4763S	#
2.722	2.727		0.406		F	5727	205
2.750	2.754		0.250		L	40286	4L
2.625	2.629		0.250		S	40568S	4S
2.625	2.629		0.500		T	50568 ⁵	5S
2.625	2.629		0.500		T	50569	5S
2.462	2.467		0.250		S	200641 ⁸	200E
2.327	2.332		0.406		S	204017	204
2.562	2.566		0.250		S	204500	4S
2.328	2.332		0.406		F	205017	205
2.562	2.566		0.375		F	291099	29
2.437	2.441		0.468		S	• 410066	41
2.502	2.506		0.500		S	• 410194	41
2.750	2.754		0.500		N	• 410286N	41
2.750	2.754		0.500		S	• 410286	41
2.374	2.378		0.500		S	• 410358	41
2.374	2.378		0.500		N	410358N ¹	41
2.087	2.091		0.275		S	• 413799	41
3.000	3.004		0.312		S	414268¹	41
2.437	2.441		0.468		N	• 450066N	45
2.437	2.441		0.468		S	450066 ¹	45
2.623	2.627		0.500		V	• 450069V	45
2.623	2.627		0.500		N	• 450069N	45
2.623	2.627		0.500		S	450069 ¹	45
2.875	2.879		0.468		S	450078 ¹	45
2.502	2.506		0.500		S	450194 ¹	45
2.502	2.506		0.500		N	• 450194N	45
2.758	2.762		0.500		S	450275 ¹	45
3.062	3.066		0.500		S	450335 ¹	45
2.996	3.001		0.500		S	450415 ¹	45
3.251	3.256		0.500		S	450467 ¹	45
3.000	3.005		0.500		S	450539 ¹	45

Hsg Bore	Seal O.D.	Flanged O.D.	Seal Width	Width w/Side Lip	Lip Mat'l	Part No.	Type/ Illus.
1.625" (1-5/8") SHAFT (cont.)							
2.835	2.839		0.468		S	450819 ¹	45
2.374	2.378		0.437		S	453341 ¹	45
2.437	2.441		0.468		S	470066 ¹	47
2.623	2.627		0.500		S	• 470069	47
2.502	2.506		0.500		S	• 470194	47
2.374	2.378		0.500		S	470358 ¹	47
2.374	2.378		0.375		S	• 471150	47
2.251	2.256		0.375		S	• 471289	47
2.437	2.441		0.375		S	471419 ¹	47
2.441	2.445		0.375		S	471829 ¹	47
2.116	2.120		0.312		S	472419 ¹	47
2.502	2.506		0.250		S	• 472758	47
2.502	2.506		0.312		S	473010¹	47
2.502	2.506		0.312		N	473010N	47
2.502	2.506		0.312		V	473010V ¹	47
2.328	2.332		0.437		S	473117 ¹	47
2.328	2.332		0.437		N	• 473117N	47
2.250	2.254		0.312		S	473230¹	47
2.374	2.378		0.312		S	473231¹	47
2.374	2.378		0.312		V	473231V ¹	47
2.623	2.627		0.312		S	473232¹	47
2.437	2.441		0.312		S	473367¹	47
2.437	2.441		0.312		V	473367V ¹	47
2.750	2.754		0.375		S	473443 ¹	47
2.875	2.879		0.375		S	473444¹	47
2.875	2.879		0.375		V	473444V ¹	47
2.000	2.004		0.250		S	473694 ¹	47
2.562	2.565		0.375		S	474216	47
2.750	2.754		0.312		S	474274¹	47
3.937	3.942		0.375		S	• 476878	47
3.543	3.548		0.375		S	• 477104	47
2.623	2.627		0.500		S	• 480069	48
2.502	2.506		0.500		S	• 480194	48
3.000	3.005		0.500		S	• 480539	48
2.374	2.378		0.375		N	• 481150N	48
2.125	2.129		0.250		S	481181 ¹	48
2.125	2.129		0.250		N	481181N ¹	48
2.251	2.256		0.375		S	• 481289	48
2.437	2.441		0.375		S	• 481419	48
2.502	2.506		0.375		N	• 481839N	48
2.502	2.506		0.375		S	• 481839	48
2.686	2.690		0.375		S	481864¹	48
2.875	2.879		0.500		S	• 482170	48
2.437	2.441		0.500		V	• 482401V	48
2.502	2.506		0.312		S	• 483010	48
2.250	2.254		0.312		S	• 483230	48
2.250	2.254		0.312		V	483230V ¹	48
2.437	2.441		0.312		V	483367V ¹	48
2.282	2.286		0.313		S	710204	48
2.440	2.444		0.472		S	710403	#
2.440	2.446		0.417		V	710659 ⁶	66
1.628" SHAFT							
2.125	2.131		0.342		S	710202	30
2.278	2.282		0.343		S	710241	68

SIZE SECTION

¹Redicoat®; ⁵Clockwise-Spiral Lip Design; ⁶Bi-Directional Lip Design; ⁸External Bore; ; • Non Stock Item - Special Order

Size Section

RADIAL SHAFT SEALS

SIZE SECTION

Seal		Width		Lip Mat'l	Part No.	Type/ Illus.	Seal		Width		Lip Mat'l	Part No.	Type/ Illus.
Hsg Bore	Seal O.D.	Flanged O.D.	Seal Width				w/Side Lip	Hsg Bore	Seal O.D.	Flanged O.D.			
1.650" SHAFT (cont.)							42,00mm (1.654") SHAFT (cont.)						
2.282	2.336		0.768	H	3083 ⁵	48	56,00	56,10	14,00	5,00	N	710221	47
2.410	2.414	2.695	0.361	S	710102	74	2.205	2.209	0.551	0.197			
2.633	2.638		0.963	N	710701	#	76,00	76,10		14,00	N	710245 ⁵	40
1.653" SHAFT													
			0.445	99166 Redi-Sleeve									
1.654" SHAFT													
			0.563	99169 Redi-Sleeve									
60,00	60,22		7,00	N	1953 ^{1.5}	32	59,00	59,10		7,00	N	710442 ⁵	48
2.362	2.371		0.276				2.323	2.327		0.276			
60,00	60,42		7,00	V	2025	32	58,00	58,20	67,31	12,00	S	710517 ⁴	32
2.362	2.379		0.276				2.283	2.291	2.650	0.472			
55,00	55,12		8,00	H	3051N ⁵	33	53,00	53,12		7,00	V	710550 ⁵	32
2.165	2.170		0.315				2.087	2.091		0.276			
64,00	64,14	71,25	10,00	N	3622 ^{1.6}	74	55,00	55,20		6,00	V	710620 ⁵	32
2.520	2.524	2.805	0.394				2.165	2.173		0.236			
56,00	56,34		7,00	H	3774 ⁵	35	79,00	79,20		10,00	V	710700 ⁶	32
2.205	2.218		0.276				3.110	3.118		0.394			
67,00	67,13	73,08	7,16	V	4615V ^{1.5}	83	72,00	72,20	79,90	12,75	N	710706 ⁶	74
2.638	2.643	2.877	0.282				2.835	2.843	3.146	0.502			
55,00	55,20		7,00	S	224200	32	55,00	55,20		10,00	V	710719 ⁴	32
2.165	2.173		0.276				2.165	2.173		0.394			
55,00	55,33		9,00	N	224205 ⁵	32	69,00	69,20		12,00	N	710723	40
2.165	2.178		0.354				2.717	2.724		0.472			
55,00	55,28		8,00	S	224210	35	66,00	66,20		10,00	N	710845 ⁴	32
2.165	2.176		0.315				2.598	2.606		0.394			
58,00	58,28		8,00	N	224215 ⁴	32	67,00	67,20		9,00	N	710911 ⁶	40
2.283	2.294		0.315				2.638	2.646		0.354			
58,00	58,18		7,00	S	224235	48	58,00	58,20		8,00	N	710914 ⁴	40
2.283	2.291		0.276				2.283	2.291		0.315			
62,00	62,27		8,00	S	224250	35	65,00	65,20		10,00	N	710938 ⁶	#
2.441	2.452		0.315				2.559	2.567		0.394			
62,00	62,27		10,00	S	224252	32	1.656" (1-21/32") SHAFT						
2.441	2.452		0.394							0.550	99165 Redi-Sleeve		
65,00	65,15		10,00	N	224255 ¹	47	2.623	2.627		0.455	N	7457N ¹	1S
2.559	2.565		0.394				2.686	2.690		0.500	S	450073 ¹	45
66,00	66,28		10,00	S	224266	32	2.502	2.506		0.500	S	450260 ¹	45
2.598	2.609		0.394				2.937	2.941		0.375	S	472660 ¹	47
72,00	72,27		10,00	S	224270	32	1.670" SHAFT						
2.835	2.845		0.394				2.686	2.690		0.500	S	452086 ¹	45
56,00	56,16		7,00	N	473560N ^{1.5}	47	1.673" SHAFT						
2.205	2.211		0.276				2.146	2.157		0.236	V	2012V ⁵	32
2.561	2.565		0.374	N	474135N	47	2.162	2.166		0.285	S	4099 ^{1.7}	287
58,00	58,17		7,00	V	474241V ^{1.5}	47	1.680" SHAFT						
2.283	2.290		0.276				2.500	2.506	2.850	0.421	S	2465 ¹	79
56,00	56,28		7,00	S	494117 ¹	49	1.682" SHAFT						
2.205	2.216		0.276				2.660	2.668	3.110	0.383	V	710549 ⁴	74
56,00	56,21		6,00	S	710097 ⁶	74	1.684" SHAFT						
2.205	2.213		0.236				2.499	2.504		0.433	S	710431 ⁶	79
90,00	90,09		9,00	N	710133	32	2.498	2.499		0.433	V	710802 ⁶	32
3.543	3.547		0.354										
2.551	2.555		0.531	S	710179 ⁵	32							
76,00	76,28		12,00	S	710195	40							
2.992	3.003		0.472										
72,00	72,28		10,00	S	710207	40							
2.835	2.846		0.394										

22 ¹Redicoat®; ⁴Counter-Clockwise-Spiral Lip Design; ⁵Clockwise-Spiral Lip Design; ⁶Bi-Directional Lip Design; ⁷Flanged O.D.; ; • Non Stock Item - Special Order

Size Section

RADIAL SHAFT SEALS



Hsg Bore	Seal O.D.	Seal Flanged O.D.	Seal Width	Width w/Side Lip	Lip Mat'l	Part No.	Type/ Illus.
1.685" SHAFT (cont.)							
2.500	2.506	2.850	0.421		V	4981V ^{1,4}	79
2.500	2.506	2.850	0.421		N	7300S ^{1,4}	79
1.687" (1-11/16") SHAFT							
			0.563			99168	Redi-Sleeve
2.560	2.579		0.375		S	2146	#
2.328	2.332		0.531		S	7022S	276
2.502	2.506		0.582		S	7038SA ^{1,4}	41
2.684	2.690		0.250		S	7381S	24
2.623	2.627	2.772	0.437		N	8516N	47
2.605	2.609		0.235		S	9178S	4S
2.502	2.506		0.250		S	40154S	4S
2.650	2.725		0.290		S	200886 ⁸	200E
2.327	2.332		0.500		S	203008	203
2.327	2.332		0.500		S	204008	204
2.279	2.285		0.250		S	353141	35
2.686	2.690		0.500		S	• 410074	41
2.502	2.506		0.500		N	• 410154N	41
2.623	2.627		0.375		S	440265	44
2.502	2.506		0.500		S	450154	45
2.502	2.506		0.375		S	• 450363	45
3.189	3.194		0.437		S	450533 ¹	45
2.717	2.720		0.468		S	450765¹	45
2.686	2.690		0.500		S	470074 ¹	47
3.062	3.066		0.500		S	470086¹	47
2.561	2.565		0.500		S	470460¹	47
2.835	2.839		0.468		V	470596V ¹	47
2.835	2.839		0.468		S	470596¹	47
3.125	3.130		0.500		N	• 470687N	47
3.125	3.130		0.500		S	470687¹	47
3.000	3.005		0.375		S	471981¹	47
2.374	2.378		0.312		S	473233¹	47
2.502	2.506		0.312		S	473234¹	47
2.623	2.627		0.312		S	473235¹	47
2.750	2.754		0.312		S	473236¹	47
2.328	2.332		0.312		N	• 473317N	47
2.328	2.332		0.312		S	473317¹	47
2.437	2.441		0.312		V	• 473445V	47
2.437	2.441		0.312		S	473445¹	47
2.875	2.879		0.375		S	473446¹	47
2.686	2.691		0.312		S	474265¹	47
2.623	2.627		0.500		S	• 480265	48
2.502	2.506		0.375		S	• 480363	48
2.437	2.441		0.468		H	480479H	48
2.437	2.441		0.468		S	• 480479	48
2.437	2.441		0.468		V	• 480479V	48
2.328	2.332		0.437		S	• 481410	48
2.560	2.579		0.470		S	712146 ⁶	25
1.688" SHAFT							
			0.313			99167	Redi-Sleeve
2.561	2.565		0.374		S	710387	47
2.547	2.551	3.152	0.595		S	710502	74
43,00mm (1.692") SHAFT							
78,00	78,30	85,50	10,00		V	710919 ⁶	85
3.071	3.083	3.346	0.394				

Hsg Bore	Seal O.D.	Seal Flanged O.D.	Seal Width	Width w/Side Lip	Lip Mat'l	Part No.	Type/ Illus.
1.693" SHAFT (cont.)							
			0.500			99182	Redi-Sleeve
55,00	55,25		8,00		S	1183	34
2.165	2.175		0.315				
60,00	60,30		8,00		S	320583 ⁵	32
2.362	2.374		0.315				
2.441	2.445		0.374		S	• 474137	47
70,00	70,20		9,00		S	710142 ⁶	40
2.756	2.764		0.354				
2.302	2.308		0.295		N	710159	72
56,00	56,10		8,50		S	710223	62
2.205	2.209		0.335				
55,00	55,20		8,00		H	710264 ⁵	32
2.165	2.173		0.236				
75,00	75,35		10,00		V	710538 ⁴	32
2.953	2.967		0.394				
63,00	63,20		8,60		V	710590 ⁶	32
2.480	2.488		0.339				
58,00	58,22		7,00		N	710608 ⁵	35
2.283	2.292		0.276				
60,00	60,30		7,00		V	710615 ⁵	32
2.362	2.374		0.276				
77,00	77,20	82,50	11,00		V	710836 ⁶	85
3.032	3.039	3.248	0.433				
83,00	83,20		10,25		V	710872 ⁴	32
3.268	3.276		0.404				
62,00	62,20		5,00		E	710929 ⁵	32
2.441	2.449		0.197				
2.854	2.862		0.433		N	710933 ⁴	32
1.700" SHAFT							
2.559	2.568	2.781	0.480		N	710498 ⁶	74
2.660	2.666	2.874	0.430		V	710542 ⁶	85
1.703" SHAFT							
3.084	3.090		0.500		S	3747 ^{1,6}	69
3.030	3.039		0.500		S	710067 ^{1,6}	69
1.705" SHAFT							
3.034	3.039	3.271	0.562		V	100357 ⁶	86
3.080	3.084	3.453	0.461		S	710105 ^{1,6}	74
1.709" SHAFT							
2.205	2.213	2.378	0.292		N	2955 ^{1,5}	71
1.718" (1-23/32") SHAFT							
			0.563			99171	Redi-Sleeve
2.875	2.879		0.468		L	50081	5L
2.437	2.441		0.468		L	50327	5L
2.561	2.565		0.500		S	442251 ¹	44
2.561	2.565		0.500		V	442251V ¹	44
2.623	2.627		0.500		S	450068 ¹	45
2.561	2.565		0.500		S	473336 ¹	47
1.720" SHAFT							
2.921	2.922		0.468		N	710476 ⁶	72
1.730" SHAFT							
2.336	2.340		0.250		S	6840S	4S

SIZE SECTION

¹Redicoat®; ⁴Counter-Clockwise-Spiral Lip Design; ⁵Clockwise-Spiral Lip Design; ⁶Bi-Directional Lip Design; ⁸External Bore; ; • Non Stock Item - Special Order

Size Section

RADIAL SHAFT SEALS

SIZE SECTION

Seal							Seal								
Hsg Bore	Seal O.D.	Flanged O.D.	Seal Width	w/Side Lip	Lip Mat'l	Part No.	Type/ Illus.	Hsg Bore	Seal O.D.	Flanged O.D.	Seal Width	w/Side Lip	Lip Mat'l	Part No.	Type/ Illus.
1.730" SHAFT (cont.)							1.750" (1-3/4") SHAFT (cont.)								
2.336	2.340		0.280		F	7607	75	2.502	2.506		0.680		L	7834	5S
2.336	2.340		0.470		N	8121S	25	2.502	2.506		0.250		S	40494S	4S
2.834	2.838		0.375		S	• 483602	48	2.437	2.441		0.250		S	43071S	4S
44,00mm (1.732") SHAFT															
59,00	59,23		6,80		N	224450 ⁵	35	2.783	2.787		0.531		L	50289	5L
2.323	2.332		0.268					2.623	2.627		0.290		S	200335	200
60,00	60,28		7,00		S	224460 ⁵	32	2.718	2.722		0.359		S	200354	200
2.362	2.373		0.276					2.786	2.876		0.285		S	200600 ⁸	200E
62,00	62,26		8,00		S	224462 ⁶	32	2.718	2.728		0.294		S	200854 ⁸	200E
2.441	2.451		0.315					2.630	2.930		0.290		S	200912 ⁸	200E
62,00	62,28		10,00		N	224464 ⁴	32	2.717	2.721		0.406		S	203002 ¹	203
2.441	2.452		0.394					2.562	2.566		0.500		S	203015	203
65,00	65,20		11,00		S	224465 ⁵	32	2.717	2.721		0.406		S	204002	204
2.559	2.567		0.433					2.717	2.721		0.359		S	204038	204
68,00	68,30		8,00		N	350609 ⁴	35	3.000	3.005		0.250		S	204501	204
2.677	2.689		0.315					2.561	2.565		0.250		S	204502	204
80,00	80,12		9,00		S	710115 ⁶	40	2.374	2.379		0.250		S	204503	204
3.150	3.154		0.354					2.562	2.566		0.500		F	205015	205
92,00	92,28		12,50		S	710208	40	3.371	3.376		0.625		S	210945	21
3.622	3.633		0.492					2.715	2.721		0.437		S	323119	32
90,00	90,10		9,00		N	710283	62	2.250	2.258		0.250		S	340400	34
3.543	3.547		0.354					2.500	2.508		0.375		T	354040	35
2.614	2.621	3.125	0.394		V	710428 ⁶	87	2.623	2.627		0.500		S	• 410070	41
2.653	2.657		0.375		N	710474	85	2.623	2.627		0.500		N	• 410070N	41
2.614	2.621	3.016	0.450		V	710480 ⁶	85	3.061	3.066		0.500		S	• 410087	41
72,00	72,20		8,00		V	710487 ⁴	32	3.189	3.194		0.437		S	• 410088	41
2.835	2.843		0.315					2.750	2.754		0.500		N	410183N ¹	41
74,00	74,20		11,00		S	710525 ⁵	40	2.750	2.754		0.500		S	• 410183	41
2.913	2.921		0.433					2.875	2.879		0.468		S	• 410291	41
70,00	70,20	76,20	11,70		V	710682	74	2.561	2.565		0.500		S	• 410361	41
2.756	2.764	3.000	0.461					2.623	2.627		0.500		S	450070 ¹	45
61,00	61,20		6,00		V	710893 ⁵	32	2.623	2.627		0.500		N	• 450070N	45
2.402	2.409		0.236					2.623	2.627		0.500		V	• 450070V	45
1.734" SHAFT															
2.726	2.730		0.500		L	5836	201	2.686	2.690		0.500		S	450076 ¹	45
2.400	2.405		0.230		S	8705S	277	2.686	2.690		0.500		N	• 450076N	45
1.739" SHAFT															
			0.375			99170 Redi-Sleeve		2.686	2.690		0.500		V	• 450076V	45
3.000	3.008		0.500		S	6818	71	2.750	2.754		0.500		S	450183 ¹	45
2.812	3.270		0.593		N	8460N ^{1,7}	74	2.750	2.754		0.500		N	• 450183N	45
1.748" SHAFT															
2.619	2.627	2.865	0.330		N	4950 ^{1,5}	88	2.875	2.879		0.468		S	450291 ¹	45
1.750" (1-3/4") SHAFT															
			0.375			99172 Redi-Sleeve		2.875	2.879		0.468		V	• 450291V	45
			0.531			99180 Redi-Sleeve		2.437	2.441		0.468		N	• 450351N	45
			0.563			99174 Redi-Sleeve		2.502	2.506		0.500		S	450352 ¹	45
			0.750			99175 Redi-Sleeve		2.502	2.506		0.500		N	• 450352N	45
2.750	2.754		0.484		L	5827	201	2.561	2.565		0.500		S	450361	45
2.250	2.258		0.187		S	6703S	35	2.250	2.254		0.359		S	450400 ¹	45
2.875	2.880		0.500		S	6949S	274	2.250	2.254		0.359		V	• 450400V	45
2.374	2.381		0.437		S	7486S	35	2.502	2.506		0.375		S	450494 ¹	45
								2.502	2.506		0.406		H	451147H ¹	45
								2.502	2.506		0.406		N	• 451147N	45
								3.125	3.130		0.500		S	• 451350	45
								2.686	2.690		0.437		S	• 451879	45
								3.543	3.548		0.500		S	455536 ¹	45
								3.189	3.194		0.437		S	470088¹	47
								2.750	2.754		0.500		S	• 470183	47
								2.686	2.690		0.375		S	470334¹	47
								2.437	2.441		0.468		S	470351¹	47

24 ¹Redicoat®; ⁴Counter-Clockwise-Spiral Lip Design; ⁵Clockwise-Spiral Lip Design; ⁶Bi-Directional Lip Design; ⁷Flanged O.D.; ⁸External Bore; ; • Non Stock Item - Special Order

Size Section

RADIAL SHAFT SEALS



Hsg Bore	Seal O.D.	Seal Flanged O.D.	Seal Width	Width w/Side Lip	Lip Mat'l	Part No.	Type/ Illus.
1.750" (1-3/4") SHAFT (cont.)							
2.502	2.506		0.500		S	• 470352	47
2.561	2.565		0.500		S	470361 ¹	47
2.561	2.565		0.500		V	470361V ¹	47
2.502	2.506		0.375		S	• 470494	47
2.502	2.506		0.375		N	• 470494N	47
2.437	2.441		0.375		S	• 471122	47
2.875	2.879	0.375			S	471141¹	47
2.875	2.879		0.375		V	471141V ¹	47
2.411	2.415		0.380		S	471169 ¹	47
2.411	2.415		0.380		N	471169N ¹	47
2.374	2.378		0.375		N	• 471288N	47
2.437	2.441	0.312			S	471504¹	47
2.441	2.445		0.375		S	471831 ¹	47
2.441	2.445		0.375		N	• 471831N	47
2.441	2.445		0.375		V	• 471831V	47
3.000	3.005	0.375			S	471984¹	47
3.000	3.005		0.375		N	• 471984N	47
2.502	2.506	0.312			S	472164¹	47
2.502	2.506		0.312		V	472164V ¹	47
2.750	2.754	0.312			S	472179¹	47
2.750	2.754		0.312		V	472179V ¹	47
2.623	2.627	0.312			S	472185¹	47
2.623	2.627		0.312		V	472185V ¹	47
2.561	2.566	0.312			S	472193¹	47
2.449	2.453		0.312		S	473157 ¹	47
2.374	2.378	0.312			S	473237¹	47
2.374	2.378		0.312		V	473237V ¹	47
3.061	3.066	0.375			S	473313¹	47
2.758	2.762	0.375			S	473447¹	47
2.996	3.001	0.375			S	473448¹	47
2.565	2.570		0.312		S	473796 ¹	47
3.937	3.942		0.312		S	476820 ¹	47
2.623	2.627		0.500		S	• 480070	48
2.623	2.627		0.500		N	• 480070N	48
2.686	2.690		0.500		S	• 480076	48
2.686	2.690		0.500		N	• 480076N	48
2.750	2.754		0.500		S	• 480183	48
2.502	2.506		0.500		S	• 480352	48
2.996	3.001		0.500		S	• 480359	48
2.502	2.506		0.375		S	• 480494	48
2.502	2.506		0.375		N	• 480494N	48
2.374	2.378		0.500		S	• 480929	48
2.437	2.441		0.375		S	• 481122	48
2.374	2.378		0.375		S	• 481288	48
2.436	2.441		0.315		S	• 481420	48
2.437	2.441		0.312		S	• 481504	48
3.000	3.005		0.375		S	• 481984	48
2.328	2.332		0.437		S	482126	48
2.502	2.506		0.312		N	482164N ¹	48
2.502	2.506		0.312		S	• 482164	48
3.153	3.159		0.312		S	482267 ¹	48
3.062	3.066		0.485		S	710005 ¹	86
2.437	2.441		0.375		U	710013	#
2.250	2.255		0.250		U	710024	#
2.374	2.378		0.484		S	710062	#

Hsg Bore	Seal O.D.	Seal Flanged O.D.	Seal Width	Width w/Side Lip	Lip Mat'l	Part No.	Type/ Illus.
1.750" (1-3/4") SHAFT (cont.)							
2.500	2.504		0.484		S	710389	7S
2.875	2.888		0.472		N	710647 ^{1,5}	#
2.756	2.764	3.189	0.252		V	710867 ⁵	74
2.810	2.814		0.315		S	712260	47
1.751" SHAFT							
2.533	2.608		0.290		S	200895 ⁶	200E
1.763" SHAFT							
2.412	2.416		0.375		S	6936S	45
2.409	2.416		0.375		V	9845 ^{1,5}	47
2.409	2.416		0.375		V	9845V ^{1,5}	47
2.412	2.416		0.468		S	• 410375	41
2.411	2.415		0.354		T	710606 ⁵	32
2.416	2.421		0.375		V	710891 ^{1,5}	47
1.766" SHAFT							
		0.563			99176 Redi-Sleeve		
45,00mm (1.771") SHAFT							
62,00	62,50		6,00		N	710778 ⁵	32
2.441	2.461		0.236				
62,00	62,20		8,00		N	710934 ⁵	32
2.441	2.449		0.315				
2.500	2.504	3.045	0.359		H	714075 ¹	74
1.772" SHAFT							
		0.551			99177 Redi-Sleeve		
62,00	62,30		8,00		S	1012N	35
2.441	2.453		0.315				
2.843	2.848		0.295		S	1943	44
75,00	75,10		12,00		N	1979 ⁵	47
2.953	2.957		0.472				
65,00	65,10		5,00		S	1992 ¹	47
2.559	2.563		0.197				
58,00	58,30		7,00		S	224510	32
2.283	2.295		0.276				
60,00	60,25		10,00		S	224520	35
2.362	2.372		0.394				
72,00	72,28		12,00		S	224570	35
2.835	2.846		0.472				
64,00	64,27		12,00		S	239155 ⁶	47
2.520	2.530		0.472				
68,00	68,28		7,00		V	320564	32
2.677	2.688		0.276				
2.402	2.408		0.354		V	• 484236V	48
62,00	62,10		6,00		S	494122 ¹	49
2.441	2.445		0.236				
62,00	62,15		8,00		V	710078	47
2.441	2.447		0.315				
66,00	66,24		7,50		S	710160	32
2.598	2.608		0.295				
59,00	59,28		7,50		S	710193	32
2.323	2.334		0.295				
78,00	78,10		11,00		N	710248 ⁵	66
3.071	3.075		0.433				
67,00	67,20		8,00		V	710289 ⁵	32
2.638	2.646		0.315				

SIZE SECTION

¹Redicoat®; ⁵Clockwise-Spiral Lip Design; ⁶Bi-Directional Lip Design; ⁹External Bore; ; • Non Stock Item - Special Order

Size Section

RADIAL SHAFT SEALS

SIZE SECTION

Hsg Bore	Seal O.D.	Seal Flanged O.D.	Seal Width	Width w/Side Lip	Lip Mat'l	Part No.	Type/ Illus.
45,00mm (1.772") SHAFT (cont.)							
68,00	68,20		12,00		N	710345 ⁵	32
2.677	2.685		0.472				
2.000	2.175		0.200		S	710385	273
53,00	53,20		6,50		S	710423 ⁶	#
2.087	2.094		0.256				
58,00	58,29		7,00		V	710484 ⁵	32
2.283	2.295		0.276				
63,00	63,20		7,50		V	710521	32
2.480	2.488		0.295				
70,00	70,13		14,00		N	710665 ⁵	40
2.756	2.761		0.551				
74,00	74,20		11,00		N	710735 ⁵	32
2.913	2.921		0.433				
72,00	72,20		10,00		N	710748	40
2.835	2.843		0.394				
64,00	64,20		9,00		T	710768 ⁵	40
2.520	2.528		0.354				
57,00	57,20		9,00		N	710783 ⁴	32
2.244	2.252		0.354				
75,00	75,20		8,00		T	710786	40
2.953	2.961		0.315				
65,00	65,20		7,00		V	710790 ⁵	32
2.559	2.567		0.276				
75,00	75,20		13,50		T	710822 ⁵	40
2.953	2.961		0.531				
61,00	61,20		8,00		E	710838 ⁴	40
2.402	2.409		0.315				
62,00	62,20	70,00	10,00		V	710843 ⁴	86
2.441	2.449	2.756	0.394				
75,00	75,10	81,00	13,50		N	710847 ⁵	72
2.953	2.957	3.189	0.532				
60,00	60,20		8,00		V	710887 ⁵	32
2.362	2.370		0.315				
69,00	69,20		10,00		N	710917	32
2.717	2.724		0.394				
67,00	67,20		8,00		V	710937	#
2.638	2.646		0.315				
1.775" SHAFT							
1.970	1.970		0.365		S	710095	35
1.781" (1-25/32") SHAFT							
			0.675			99179 Redi-Sleeve	
2.502	2.505		0.312		T	39925 ⁵	FW-H
2.623	2.627		0.500		L	50266	5L
2.251	2.259		0.375		S	321460 ⁵	32
3.189	3.194		0.437		S	450089 ¹	45
2.686	2.690		0.500		S	450269 ¹	45
2.758	2.762		0.500		S	450280 ¹	45
2.750	2.754		0.500		S	450285 ¹	45
2.502	2.506		0.312		S	452742 ¹	45
1.782" SHAFT							
2.756	2.764	3.118	0.433		V	710963 ⁶	85
1.787" SHAFT							
3.229	3.238		0.335		N	4072N ^{1,5}	83

Hsg Bore	Seal O.D.	Seal Flanged O.D.	Seal Width	Width w/Side Lip	Lip Mat'l	Part No.	Type/ Illus.
1.787" SHAFT (cont.)							
3.228	3.238	3.450	0.335		N	4918 ^{1,5}	83
1.796" SHAFT							
2.725	2.730		0.500		L	6781	201
1.803" SHAFT							
2.965	2.969		0.250		F	5070	29
3.067	3.071	3.406	0.551		V	710593	74
1.807" SHAFT							
3.160	3.168		0.563		V	710877 ⁵	87
1.809" SHAFT							
2.361	2.365	2.865	0.370		S	4249 ¹	287
1.811" SHAFT							
			0.563			99181 Redi-Sleeve	
73,00	73,18		10,50		V	100537 ¹	74
2.874	2.881		0.413				
58,00	58,28		7,00		N	224650 ⁵	32
2.283	2.294		0.276				
60,00	60,28		7,00		H	224660 ⁵	32
2.362	2.373		0.276				
63,00	63,40		7,70		N	224663 ⁵	35
2.480	2.496		0.303				
2.732	2.740		0.394		S	710128	40
2.697	2.705		0.295		S	710161	32
62,00	62,20	79,93	20,50		S	710394	47
2.441	2.449	3.147	0.807				
72,00	72,14		8,50		N	710472 ⁴	32
2.835	2.840		0.335				
73,00	73,25		14,53		V	710495	85
2.874	2.884		0.572				
66,00	66,20	73,00	10,00		S	710754 ⁶	86
2.598	2.606	2.874	0.394				
70,00	70,20		8,00		N	710868 ⁵	32
2.756	2.764		0.315				
78,00	78,20	86,50	12,00		V	710895 ⁶	86
3.071	3.079	3.406	0.472				
90,00	90,20		11,00		N	710931 ⁴	40
3.543	3.551		0.433				
2.780	2.787	3.201	0.437		V	710964 ⁴	72
2.220	2.228		0.276		V	711001 ⁵	32
1.812" (1-13/16") SHAFT							
2.777	2.783		0.455		V	3604 ^{1,5}	86
2.623	2.627		0.615		S	3618 ^{1,5}	86
3.091	3.096	3.400	0.485		V	4278 ¹	86
2.562	2.566		0.312		V	5133	48
2.250	2.258		0.312		S	• 6402S	35
4.123	4.128		0.746		L	6930	21
3.000	3.005		0.455		S	7044NA ⁵	86
2.718	2.722		0.270		S	7186S	200
2.623	2.627	2.940	0.455		S	8181NA ⁵	74
2.563	2.567		0.375		T	39835 ^{1,5}	W
2.562	2.567		0.315		T	39930 ⁵	FW-H
2.561	2.566		0.500		S	203006	203

26 ¹Redicoat®; ⁴Counter-Clockwise-Spiral Lip Design; ⁵Clockwise-Spiral Lip Design; ⁶Bi-Directional Lip Design; ; • Non Stock Item - Special Order

Size Section

RADIAL SHAFT SEALS



Hsg Bore	Seal		Width		Lip Mat'l	Part No.	Type/ Illus.
	Seal O.D.	Flanged O.D.	Seal Width	w/Side Lip			
1.812" (1-13/16") SHAFT (cont.)							
2.327	2.332		0.437		S	444116 ¹	44
3.189	3.194		0.437		S	450090¹	45
2.750	2.754		0.500		S	450118	45
2.996	3.001		0.500		S	• 450193	45
2.437	2.441		0.468		S	451817 ¹	45
2.561	2.565		0.437		S	• 452872	45
2.623	2.627		0.500		V	• 470267V	47
2.623	2.627		0.500		S	• 470267	47
2.686	2.690		0.375		S	471866¹	47
2.686	2.690		0.375		N	• 471866N	47
2.623	2.627		0.375		S	472070¹	47
2.750	2.754		0.375		S	473449¹	47
2.875	2.879		0.375		S	473450¹	47
2.875	2.879		0.375		V	473450V ¹	47
2.750	2.754		0.500		S	• 480118	48
2.623	2.627		0.500		S	• 480267	48
2.758	2.762		0.500		S	480281 ¹	48
3.125	3.130		0.375		S	481992 ¹	48
1.813" SHAFT							
2.408	2.413		0.300		S	710409 ⁸	91
1.821" SHAFT							
2.623	2.627		0.250		S	44053	4S
1.825" SHAFT							
2.750	2.754		0.468		S	7600S ¹	47
1.830" SHAFT							
2.570	2.574		0.250		L	6960	4L
1.831" SHAFT							
3.543	3.551		0.433		N	710397	#
1.835" SHAFT							
2.874	2.878	2.992	0.283		V	710830 ⁴	74
1.843" (1-27/32") SHAFT							
2.400	2.404		0.235		F	291295	29
2.623	2.627		0.500		S	• 450268	45
2.623	2.627		0.500		N	• 450268N	45
2.750	2.754		0.500		N	470331N	47
2.502	2.506		0.375		S	471841 ¹	47
2.623	2.627		0.375		S	473451¹	47
2.750	2.754		0.375		S	473452¹	47
2.875	2.879		0.375		S	473453¹	47
2.623	2.627		0.500		S	• 480268	48
1.844" SHAFT							
2.865	2.872		0.425		V	100552 ⁶	74
3.063	3.068	3.330	0.535		V	710741 ⁴	74
2.748	2.753	3.089	0.425		V	714675 ^{1,6}	74
47,00mm (1.850") SHAFT							
84,00	84,20		11,00		S	710143	40
3.307	3.315		0.433				
80,00	80,20		12,70		S	710150	51
3.150	3.157		0.500				

Hsg Bore	Seal		Width		Lip Mat'l	Part No.	Type/ Illus.
	Seal O.D.	Flanged O.D.	Seal Width	w/Side Lip			
47,00mm (1.850") SHAFT (cont.)							
56,00	56,20		7,00		N	710184	47
2.205	2.213		0.276				
64,00	64,08		7,00		S	710191	25
2.520	2.523		0.276				
66,00	66,10		11,00		S	710215	66
2.598	2.602		0.433				
2.843	2.850		0.236		S	710337	40
2.440	2.445		0.405		S	710501	48
3.154	3.161		0.394		V	710595 ⁶	40
69,00	69,24		10,00		S	710596 ⁶	40
2.717	2.726		0.394				
63,00	63,20		5,00		E	710699 ⁵	32
2.480	2.488		0.197				
72,00	72,20		10,00		N	710784 ⁶	40
2.835	2.843		0.392				
61,00	61,20		7,00		N	710886 ⁵	32
2.402	2.409		0.276				
64,00	64,20		8,50		V	710907 ⁵	47
2.520	2.528		0.335				
1.858" SHAFT							
2.685	2.692	2.921	0.500		V	710693	#
1.860" SHAFT							
	0.563					99185 Redi-Sleeve	
1.869" SHAFT							
	0.889					99186 Redi-Sleeve	
2.518	2.522		0.375		S	332062 ⁵	33
1.870" SHAFT							
2.780	2.794	3.197	0.315		V	710654 ⁶	72
1.872" SHAFT							
2.684	2.701		0.544		S	8521S ⁸	200E
1.873" SHAFT							
2.717	2.806		0.281		S	200752 ⁸	200E
1.874" SHAFT							
2.781	2.789		0.354		S	1959	32
2.676	2.682	2.904	0.410		N	4577 ^{1,5}	74
3.159	3.163		0.500		V	100712V	74
3.159	3.163		0.500		V	100715V	85
2.496	2.504		0.339		V	710837 ⁵	40
1.875" (1-7/8") SHAFT							
	0.175					99190 Redi-Sleeve	
	0.295					99188 Redi-Sleeve	
	0.375					99184 Redi-Sleeve	
	0.563					99187 Redi-Sleeve	
	0.563					99832 Redi-Sleeve	
2.877	2.865		0.490		S	2689S	25
2.561	2.565	3.160	0.528		N	2692 ^{1,5}	76
2.560	2.565		0.406		N	2942 ^{1,5}	47
3.150	3.146		0.930		S	3186 ¹⁰	59
3.150	3.146		0.930		S	3195 ¹⁰	59

SIZE SECTION

¹Redicoat®; ⁴Counter-Clockwise-Spiral Lip Design; ⁵Clockwise-Spiral Lip Design; ⁶Bi-Directional Lip Design; ⁸External Bore; ¹⁰Expanded O.D.; ; • Non Stock Item - Special Order

Size Section

RADIAL SHAFT SEALS

SIZE SECTION

Seal								Seal							
Hsg Bore	Seal O.D.	Flanged O.D.	Seal Width	Width w/Side Lip	Lip Mat'l	Part No.	Type/ Illus.	Hsg Bore	Seal O.D.	Flanged O.D.	Seal Width	Width w/Side Lip	Lip Mat'l	Part No.	Type/ Illus.
1.875" (1-7/8") SHAFT (cont.)								1.875" (1-7/8") SHAFT (cont.)							
2.750	2.754	3.000	0.485		S	3946 ^{1,6}	86	2.623	2.627		0.312		S	472439 ¹	47
2.813	2.817	3.475	0.500		S	5126	74	2.623	2.627		0.312		V	472439V ¹	47
2.965	2.969		0.250		F	6064	29	2.750	2.754		0.312		S	472572 ¹	47
2.758	2.762		0.500		S	6460S	41	2.470	2.475		0.437		S	472747 ¹	47
2.758	2.762	3.045	0.425		N	6712NA ^{1,5}	75	2.758	2.762		0.375		S	473179 ¹	47
3.160	3.165		0.562		N	6808N ¹	45	2.875	2.879		0.312		S	473238 ¹	47
2.628	2.633		0.347		F	6985	29	2.875	2.879		0.312		V	473238V ¹	47
3.375	4.812		0.312		S	7105S	51	3.000	3.005		0.312		S	473239 ¹	47
3.105	3.110	3.266	0.500		L	7216	47	3.125	3.130		0.312		S	473240 ¹	47
2.400	2.405		0.240		S	7934S	204	2.502	2.506		0.312		S	473454 ¹	47
3.000	3.005		0.625		H	8165 ¹	#	2.835	2.839		0.375		S	473455 ¹	47
2.315	2.321		0.203		S	8362	33	3.061	3.066		0.375		S	473457 ¹	47
2.812	2.816	3.378	0.770		N	8515N	74	3.189	3.194		0.375		S	473458 ¹	47
3.160	3.165		0.695		N	9316 ¹	72	4.331	4.336		0.500		S	477105 ¹	47
2.877	2.865		0.470		S	9912 ¹⁰	25	3.500	3.505		0.500		S	• 477609	47
2.623	2.627		0.250		S	40071S	4S	2.623	2.627		0.500		S	• 480071	48
2.750	2.754		0.250		S	42421S	4S	2.623	2.627		0.500		V	• 480071V	48
2.995	3.000		0.437		S	203034	203	2.875	2.879		0.468		S	• 480082	48
2.624	2.628	2.868	0.375		H	331227H ⁵	33	2.758	2.762		0.500		S	• 480283	48
2.502	2.511		0.250		S	340823	34	2.502	2.506		0.500		S	• 480823	48
2.502	2.506		0.328		S	350823	35	3.125	3.130		0.375		S	• 482005	48
2.561	2.571		0.312		S	350936	35	2.502	2.506		0.375		N	482041N ¹	48
2.397	2.403		0.250		S	353120	35	2.502	2.506		0.375		S	• 482041	48
2.623	2.627		0.500		S	410071 ¹	41	2.623	2.627		0.312		S	• 482439	48
2.623	2.627		0.500		N	• 410071N	41	2.875	2.879		0.312		V	483238V ¹	48
2.875	2.879		0.468		S	• 410082	41	2.875	2.879		0.312		S	• 483238	48
2.996	3.001		0.500		S	• 410084	41	3.125	3.130		0.312		S	• 483240	48
2.758	2.762		0.500		S	• 410283	41	2.441	2.445		0.325		S	• 483801	48
3.371	3.376		0.468		S	410524 ¹	41	2.875	2.886		0.625		U	710019	#
2.750	2.754		0.312		S	• 412572	41	2.677	2.681	3.110	0.375		N	710211 ⁵	74
2.782	2.786		0.500		S	414045 ¹	41	2.717	2.725		0.394		S	710388 ⁵	32
2.561	2.565		0.500		S	441853	44	3.160	3.165		0.530		V	710452 ¹	72
2.623	2.627		0.500		N	• 450071N	45	2.622	2.633	2.957	0.415		S	710557 ⁵	74
2.623	2.627		0.500		V	• 450071V	45	2.561	2.565	80.010	0.528		V	712692 ⁵	76
2.875	2.879		0.468		S	450082 ¹	45	3.150	3.155		0.250		S	715100	46
2.875	2.879		0.468		N	• 450082N	45	3.160	3.165		0.530		V	719316	72
2.996	3.001		0.500		S	450084 ¹	45	1.880" SHAFT							
2.750	2.754		0.500		S	450117	45	2.562	2.566		0.250		S	9049N	25
2.686	2.690		0.500		S	• 450272	45	3.169	3.176	3.500	0.480		V	100086 ^{1,4}	72
2.758	2.762		0.500		S	• 450283	45	1.885" SHAFT							
3.000	3.005		0.500		S	450298 ¹	45	2.697	2.705		0.461		V	710695 ⁶	79
3.371	3.376		0.468		S	• 450524	45	2.700	2.708	3.032	0.019		V	710873 ⁴	74
2.875	2.879		0.500		S	• 450779	45	1.886" SHAFT							
3.251	3.256		0.500		S	451078 ¹	45	2.699	2.704	3.050	0.350		N	4333N ^{1,4}	79
2.500	2.504		0.437		N	• 451162N	45	2.750	2.765	3.270	0.469		N	4503N ⁶	#
2.875	2.879		0.437		S	• 451936	45	2.697	2.701		0.469		V	710496	72
2.875	2.879		0.437		V	• 451936V	45	2.697	2.705		0.350		V	710636 ⁴	79
2.623	2.627		0.500		S	• 470071	47	2.750	2.756		0.335		N	710658 ⁶	32
2.758	2.762		0.500		S	• 470283	47	2.697	2.705		0.457		V	710660	79
2.758	2.762		0.500		N	• 470283N	47	2.750	2.756		0.512		N	710661 ⁶	40
3.000	3.005		0.375		S	• 471139	47	2.750	2.756		0.472		N	710664	#
2.686	2.690		0.375		S	471868 ¹	47	2.750	2.754		0.512		T	710726 ⁴	40
3.125	3.130		0.375		S	• 472005	47	2.756	2.765	3.150	0.472		N	714503	87
2.502	2.506		0.375		S	472041 ¹	47								
2.502	2.506		0.375		N	• 472041N	47								

28 ¹Redicoat®; ⁴Counter-Clockwise-Spiral Lip Design; ⁵Clockwise-Spiral Lip Design; ⁶Bi-Directional Lip Design; ¹⁰Expanded O.D.; ; • Non Stock Item - Special Order

Size Section

RADIAL SHAFT SEALS



Hsg Bore	Seal O.D.	Seal Flanged O.D.	Seal Width	Width w/Side Lip	Lip Mat'l	Part No.	Type/ Illus.
1.887" SHAFT (cont.)							
2.700	2.704		0.582		S	9449 ^{1,4}	74
1.890" SHAFT							
			0.551			99189	Redi-Sleeve
62,00	62,25		6,00		S	1188	34
2.441	2.451		0.236				
72,00	72,31		7,00		S	1208	32
2.835	2.847		0.276				
62,00	62,10		7,00		S	1949	48
2.441	2.445		0.276				
62,00	62,10		9,00		S	1956	#
2.441	2.445		0.354				
65,00	65,30		8,00		S	1973	25
2.559	2.571		0.315				
70,00	70,28		10,00		S	1994	32
2.756	2.767		0.394				
65,00	65,15		24,50		N	4528N ^{1,4}	66
2.559	2.565		0.965				
2.833	2.835	3.012	0.441		S	100944 ¹¹	#
62,00	62,28		7,80		N	224810	32
2.441	2.452		0.307				
74,00	74,30		10,00		N	224815	40
2.913	2.925		0.394				
62,00	62,10		8,00		S	224820	32
2.441	2.445		0.315				
68,00	68,30		11,00		S	224840 ⁵	32
2.677	2.689		0.433				
73,00	73,10		7,00		S	224870 ¹	47
2.874	2.878		0.276				
72,00	72,35		8,50		S	224872	32
2.835	2.848		0.335				
74,00	74,23		10,00		S	224874	32
2.913	2.922		0.394				
64,00	64,20	67,00	13,00		S	710167 ⁶	75
2.520	2.528	2.638	0.512				
4.272	4.280		0.472		S	710296	32
70,00	70,20		12,00		S	710313 ⁵	32
2.756	2.764		0.472				
62,00	62,10		9,00		S	710320	48
2.441	2.445		0.354				
60,00	60,20		6,50		V	710356 ⁵	32
2.362	2.370		0.276				
2.810	2.815		0.700		N	710453	40
2.875	2.883		0.417		N	710567	41
2.624	2.628		0.315		V	710580 ⁵	32
68,00	68,30		7,00		V	710644 ⁵	32
2.677	2.689		0.276				
70,00	70,20		7,00		E	710696 ⁵	32
2.756	2.764		0.276				
64,00	64,20		12,00		N	710758 ⁶	49
2.520	2.528		0.472				
68,00	68,20		9,30		T	710764 ¹²	32
2.677	2.685		0.366				
64,00	64,20		8,00		N	710779 ⁴	32
2.520	2.528		0.315				
65,00	65,20		7,50		N	710795 ⁴	32
2.559	2.567		0.295				

Hsg Bore	Seal O.D.	Seal Flanged O.D.	Seal Width	Width w/Side Lip	Lip Mat'l	Part No.	Type/ Illus.
48,00mm (1.890") SHAFT (cont.)							
67,00	67,20		7,50		N	710796 ⁵	32
2.638	2.646		0.295				
60,00	60,20		9,00		N	710915 ⁵	32
2.362	2.370		0.354				
85,00	85,30	92,00	13,50		V	710920 ⁴	74
3.346	3.358	3.622	0.531				
68,00	68,20		8,00		E	710961 ⁴	32
2.677	2.685		0.315				
65,00	65,30		10,00		V	716484 ⁵	32
2.559	2.571		0.394				
1.893" SHAFT							
2.434	2.438		0.250		S	8704S	33
2.811	2.816	3.032	0.458		V	710481 ⁶	85
1.912" SHAFT							
			0.375			99192	Redi-Sleeve
1.927" SHAFT							
2.910	2.920		1.210		N	710565	49
1.928" SHAFT							
2.795	2.801		0.456		E	710646	#
49,00mm (1.929") SHAFT							
64,00	64,28		12,50		S	1936	#
2.520	2.531		0.492				
62,00	62,15		8,00		S	4904	66
2.441	2.447		0.315				
2.563	2.567		0.315		T	39877 ^{1,6}	W-H
79,00	79,10		17,50		N	224979 ⁵	47
3.110	3.114		0.689				
100,00	100,20		8,00		S	710081	32
3.937	3.945		0.315				
2.843	2.854		0.315		S	710148	97
70,00	70,20		8,60		S	710255	32
2.756	2.764		0.339				
70,00	70,10	18,00	12,50		S	710305	40
2.756	2.760	0.709	0.492				
65,00	65,15	81,75	36,50		S	710459	91
2.560	2.565	3.218	1.437				
59,00	59,20		10,50		T	710551 ⁵	#
2.323	2.331		0.413				
2.685	2.698		0.374		V	710627	32
64,00	64,26		8,00		N	710631 ⁵	32
2.520	2.531		0.315				
71,00	71,20		11,50		V	710831 ⁶	32
2.795	2.803		0.453				
66,00	66,20		7,50		N	710908 ⁴	32
2.598	2.606		0.295				
1.937" (1-15/16") SHAFT							
			0.563			99193	Redi-Sleeve
2.686	2.690		0.304		N	3173 ¹	48
2.686	2.690		0.500		H	6988H	33
2.578	2.830		0.292		S	9150S	25
3.500	3.505		0.250		S	45653S	4S
3.189	3.194		0.437		S	• 410094	41

SIZE SECTION

¹Redicoat®; ⁴Counter-Clockwise-Spiral Lip Design; ⁵Clockwise-Spiral Lip Design; ⁶Bi-Directional Lip Design; ¹¹ABS Sensor Ring; ¹²ABS Sensor in Seal; ; • Non Stock Item - Special Order

Size Section

RADIAL SHAFT SEALS

SIZE SECTION

Hsg Bore	Seal O.D.	Seal Flanged O.D.	Seal Width	Width w/Side Lip	Lip Mat'l	Part No.	Type/ Illus.
1.937" (1-15/16") SHAFT (cont.)							
2.686	2.690		0.500		S	• 410138	41
2.875	2.879		0.468		N	• 410295N	41
2.875	2.879		0.468		S	• 410295	41
3.000	3.005		0.500		S	• 410300	41
3.125	3.130		0.500		S	• 410309	41
3.350	3.355		0.468		S	• 410965	41
2.561	2.565		0.500		S	• 411854	41
3.543	3.548		0.500		S	• 415130	41
3.543	3.548		0.375		S	417474¹	41
3.189	3.194		0.437		N	450094N ¹	45
3.189	3.194		0.437		S	450094 ¹	45
2.758	2.762		0.500		S	450279 ¹	45
3.350	3.355		0.468		S	450965 ¹	45
2.824	2.828		0.500		N	• 451117N	45
2.502	2.506		0.375		V	• 451195V	45
2.502	2.506		0.375		S	• 451195	45
2.996	3.001		0.437		S	• 452006	45
3.543	3.548		0.500		S	• 455130	45
3.751	3.756		0.500		S	456057 ¹	45
2.686	2.690		0.500		V	470138V ^{1,5}	47
3.000	3.005		0.500		S	• 470300	47
3.125	3.130		0.500		S	• 470309	47
2.412	2.416		0.468		S	470409 ¹	47
2.623	2.627		0.500		S	• 470455	47
2.502	2.506		0.375		S	471195¹	47
3.125	3.130		0.375		S	471391¹	47
2.561	2.565		0.500		S	471854¹	47
2.686	2.690		0.375		N	• 471869N	47
2.686	2.690		0.375		S	471869 ¹	47
2.875	2.879		0.437		S	• 471940	47
2.875	2.879		0.312		S	472144¹	47
2.623	2.627		0.312		S	472319¹	47
2.623	2.627		0.312		V	• 472319V	47
3.000	3.005		0.312		S	472394¹	47
2.750	2.754		0.312		S	473241¹	47
2.686	2.690		0.312		S	473459¹	47
2.996	3.001		0.375		S	473460¹	47
3.061	3.066		0.375		S	473461¹	47
3.189	3.194		0.375		S	473462¹	47
2.437	2.441		0.250		S	474269 ¹	47
3.623	3.628		0.468		S	476509 ¹	47
3.189	3.194		0.437		S	• 480094	48
2.686	2.690		0.500		S	• 480138	48
2.996	3.001		0.500		S	• 480145	48
2.875	2.879		0.468		S	• 480295	48
3.000	3.005		0.500		S	• 480300	48
3.061	3.066		0.500		S	• 480306	48
3.125	3.130		0.500		S	• 480309	48
2.623	2.627		0.500		S	• 480455	48
2.562	2.567		0.317		S	• 480550	48
2.625	2.629		0.375		S	• 481166	48
2.502	2.506		0.375		N	• 481195N	48
2.502	2.506		0.375		S	481195 ¹	48
2.686	2.690		0.312		H	483459H ¹	48
2.562	2.566		0.317		S	710058 ¹	48

Hsg Bore	Seal O.D.	Seal Flanged O.D.	Seal Width	Width w/Side Lip	Lip Mat'l	Part No.	Type/ Illus.
1.937" (1-15/16") SHAFT (cont.)							
2.750	2.754		0.313		V	710162 ¹	48
2.650	2.655		0.360		R	710163	#
2.683	2.700		0.512		N	710645	#
1.938" SHAFT							
3.000	3.004		0.375		F	5M293	#
2.875	2.888		0.375		F	5M81	#
2.680	2.685		0.500		N	710928	32
1.940" SHAFT							
2.762	2.766		0.500		S	2043 ¹	47
2.909	2.914		0.520		S	3896 ^{1,5}	76
2.622	2.626		0.580		S	5121	281
2.500	2.505	2.700	0.250		S	6815 ¹	286
2.813	2.817	3.070	0.428		S	8622 ¹	88
2.900	2.905		0.400		S	710281 ¹	74
1.943" SHAFT							
2.913	2.921	3.091	0.453		V	710536 ⁶	86
1.945" SHAFT							
2.891	2.895		0.290		S	200371	200
1.949" SHAFT							
2.780	2.785	2.972	0.382		V	710749 ⁵	74
1.953" SHAFT							
3.543	3.551		0.315		V	710743 ⁵	32
1.965" SHAFT							
3.071	3.079		0.394		N	710905 ⁴	32
1.968" (1-31/32") SHAFT							
2.686	2.690		0.370		H	7751H	33
2.960	2.964		0.250		S	40370S	4S
2.996	3.001		0.500		L	50528	5L
3.350	3.355		0.468		S	450111 ¹	45
2.686	2.690		0.500		S	450472 ¹	45
2.875	2.879		0.468		S	450474 ¹	45
3.371	3.376		0.468		S	• 450497	45
2.742	2.746		0.500		N	450911N ¹	45
2.623	2.627		0.312		S	473814 ¹	47
4.003	4.008		0.437		V	• 477673V	47
1.969" SHAFT							
			0.551			99196 Redi-Sleeve	
65,00	65,33		8,50		S	1209	35
2.559	2.572		0.335				
3.051	3.071		0.354		S	1941	47
68,00	68,28		8,00		S	1948	35
2.677	2.688		0.315				
70,00	70,23		9,00		S	1960 ¹	47
2.756	2.765		0.354				
67,00	67,27		11,00		S	1974	97
2.638	2.648		0.433				
62,00	62,28		7,00		S	225005 ⁶	32
2.441	2.452		0.276				
65,00	65,28		8,00		S	225010 ¹	47
2.559	2.565		0.315				

Size Section

RADIAL SHAFT SEALS



50,00mm (1.969") SHAFT (cont.)							50,00mm (1.969") SHAFT (cont.)								
Hsg Bore	Seal O.D.	Seal Flanged O.D.	Seal Width	Width w/Side Lip	Lip Mat'l	Part No.	Type/ Illus.	Hsg Bore	Seal O.D.	Seal Flanged O.D.	Seal Width	Width w/Side Lip	Lip Mat'l	Part No.	Type/ Illus.
68,00	68,28		9,00		V	225020 ⁵	32	75,00	75,20		8,00		S	710888	74
2.677	2.688		0.354					2.953	2.961		0.315				
72,00	72,28		8,00		S	225030	35	60,00	60,20		7,00		V	710899 ⁵	32
2.835	2.846		0.315					2.362	2.370		0.276				
72,00	72,35		12,00		S	225040 ⁵	#	2.854	2.862		0.417		N	710916 ⁴	40
2.835	2.848		0.472					1.976" SHAFT							
80,00	80,28		8,00		S	225050	35				0.563			99198	Redi-Sleeve
3.150	3.161		0.315					2.988	3.002		0.410		T	710842	#
82,00	82,18		11,50		S	225082	#	1.978" SHAFT							
3.228	3.235		0.453					2.756	2.764		0.394		E	710957 ⁴	40
2.618	2.623		0.610		S	229522	40	1.991" SHAFT							
2.756	2.760		0.354		S	470824	47	2.900	2.975		0.290		S	200885 ⁸	200E
2.618	2.623		0.375		S	474134 ¹	47	1.996" SHAFT							
110,00	110,13		9,50		S	476512 ¹	47	2.743	2.751	3.020	0.325		H	3404 ⁵	75
4.331	4.336		0.374					2.743	2.751		0.325		V	3404V ^{1,5}	75
93,00	93,28	99,00	24,00		S	710071	74	3.111	3.120		0.344		V	4189H ^{1,7}	75
3.661	3.672	3.898	0.945					2.000	2.878		0.250		S	8998 ⁸	44
64,00	64,20		6,50		S	710098	71	2.745	2.753		0.315		N	710485	75
2.520	2.528		0.256					1.998" SHAFT							
80,00	80,30		16,50		N	710112 ⁶	40	2.878	2.882	3.165	0.340		N	714598 ^{1,5}	86
3.150	3.161		0.650					2.000" (2-3/32") SHAFT							
86,00	86,30		13,00		N	710117	40				0.563			99199	Redi-Sleeve
3.386	3.398		0.512								0.875			99200	Redi-Sleeve
74,00	74,20		9,00		S	710137	40	2.748	2.746		0.438		F	5M289	#
2.913	2.921		0.354					3.125	3.129		0.500		F	5M403	#
70,00	70,20		10,00		N	710173 ⁵	40	2.623	2.627	2.865	0.280		S	4148 ⁷	286
2.756	2.764		0.394					2.878	2.882	3.165	0.340		N	4598 ⁵	83
60,00	60,25		6,00		S	710192	32	2.561	2.565	0.011	0.250		S	4739 ¹	282
2.362	2.372		0.236					2.745	2.749		0.230		S	5113	203
68,00	68,27		7,00		S	710194	32	2.750	2.754		0.187		L	5865	4L
2.677	2.688		0.276					2.630	2.750		0.562		S	6090S	273
67,00	67,26		8,00		S	710226 ⁶	32	2.875	2.879		0.703		S	6163S	21
2.638	2.648		0.315					2.961	2.971		0.250		F	8139	#
65,00	65,20		8,00		N	710354 ⁵	32	2.562	2.566	2.760	0.220		S	8871 ¹	286
2.559	2.567		0.315					2.561	2.565		0.549		S	9015S	44
67,00	67,20		9,00		S	710357	47	2.625	2.629		0.285		S	9406S	279
2.638	2.646		0.354					3.000	3.005		0.250		S	40301S ¹	4S
72,00	72,20	83,00	10,00		S	710398	40	2.750	2.754		0.250		S	40389S	4S
2.835	2.843	3.268	0.394					2.501	2.506		0.250		L	40401	4L
75,00	75,10		9,00		S	710437	47	2.623	2.627		0.250		S	40410S	4S
2.953	2.957		0.354					4.003	4.008		0.468		L	55524	5L
2.571	2.583		0.315		S	710529	32	2.875	2.879		0.290		S	200339 ¹	200
70,00	70,23		9,00		N	710649 ⁶	48	2.804	2.824		0.294		S	200881 ⁸	200E
2.765	2.756		0.354					3.623	3.628		0.250		S	204506	204
65,00	65,25		10,00		N	710651 ⁶	32	3.062	3.066		0.250		S	204508	204
2.559	2.569		0.394					2.964	2.968		0.500		F	205044	205
70,00	70,20		11,00		V	710674 ⁵	32	2.746	2.750		0.375		H	331107N	33
2.756	2.764		0.433					2.562	2.566		0.528		N	331301N	33
64,00	64,20		8,00		V	710703 ⁵	32	2.502	2.508		0.250		S	352541	35
2.520	2.528		0.315					2.875	2.879		0.468		N	410083N	41
68,00	68,20		9,00		T	710732 ⁴	40	2.996	3.001		0.500		S	410085 ¹	41
2.677	2.685		0.354												
70,00	70,20		8,00		V	710746 ⁵	40								
2.756	2.764		0.315												
70,00	70,20		11,50		V	710835 ⁴	47								
2.756	2.764		0.453												

SIZE SECTION

¹Redicoat®; ⁴Counter-Clockwise-Spiral Lip Design; ⁵Clockwise-Spiral Lip Design; ⁶Bi-Directional Lip Design; ⁷Flanged O.D.; ⁸External Bore; ; • Non Stock Item - Special Order

Size Section

RADIAL SHAFT SEALS

SIZE SECTION

Seal							Seal								
Hsg Bore	Seal O.D.	Flanged O.D.	Seal Width	Width w/Side Lip	Lip Mat'l	Part No.	Type/ Illus.	Hsg Bore	Seal O.D.	Flanged O.D.	Seal Width	Width w/Side Lip	Lip Mat'l	Part No.	Type/ Illus.
2.000" (2-3/32") SHAFT (cont.)							2.000" (2-3/32") SHAFT (cont.)								
2.996	3.001		0.500		N	410085N ¹	41	3.062	3.066		0.500		S	• 471091	47
2.996	3.001		0.500		V	• 410085V	41	3.062	3.066		0.500		N	• 471091N	47
3.189	3.194		0.437		S	• 410095	41	2.623	2.627		0.312		S	471424¹	47
3.371	3.376		0.468		S	410102¹	41	2.623	2.627		0.312		V	471424V ¹	47
3.371	3.376		0.468		N	• 410102N	41	2.686	2.690		0.375		S	471870	47
3.000	3.005		0.500		V	• 410301V	41	2.686	2.690		0.437		S	471883 ¹	47
3.125	3.130		0.500		S	• 410310	41	2.875	2.879		0.437		S	• 471944	47
2.686	2.690		0.500		S	• 410360	41	3.000	3.005		0.375		S	• 472009	47
2.750	2.754		0.500		S	• 410389	41	3.000	3.005		0.375		N	• 472009N	47
2.750	2.754		0.500		N	• 410389N	41	3.125	3.130		0.375		S	• 472010	47
2.996	3.001		0.375		S	• 410530	41	2.880	2.884		0.375		S	472082	47
2.996	3.001		0.375		N	• 410530N	41	2.880	2.884		0.375		N	• 472082N	47
2.717	2.720		0.468		S	• 410543	41	2.623	2.627		0.375		S	• 472331	47
3.251	3.256		0.500		S	• 410571	41	2.742	2.746		0.375		S	472341 ¹	47
2.875	2.879		0.500		S	• 410966	41	2.742	2.746		0.375		N	• 472341N	47
3.062	3.066		0.500		S	• 411091	41	3.000	3.005		0.312		S	472397¹	47
2.996	3.001		0.437		S	• 412008	41	3.000	3.005		0.312		V	472397V ¹	47
3.251	3.256		0.437		S	412027¹	41	2.750	2.754		0.312		S	472492¹	47
3.350	3.355		0.468		S	412028 ¹	41	2.750	2.754		0.312		V	472492V ¹	47
3.150	3.155		0.375		S	412725 ¹	41	2.750	2.754		0.312		N	• 472492N	47
3.500	3.505		0.500		S	415627 ¹	41	2.835	2.839		0.375		S	472653¹	47
3.264	3.269		0.250		S	441148 ¹	44	2.875	2.879		0.312		S	472924¹	47
2.875	2.879		0.468		S	450083 ¹	45	2.875	2.879		0.312		V	472924V ¹	47
2.996	3.001		0.500		S	450085 ¹	45	3.125	3.130		0.312		S	473242¹	47
2.996	3.001		0.500		N	• 450085N	45	3.125	3.130		0.312		V	• 473242V	47
2.996	3.001		0.500		V	• 450085V	45	3.062	3.066		0.375		S	473463¹	47
3.189	3.194		0.437		S	450095	45	3.189	3.194		0.375		S	473464¹	47
3.189	3.194		0.437		N	• 450095N	45	2.717	2.721		0.375		S	474272¹	47
3.000	3.005		0.500		S	450301 ¹	45	2.996	3.001		0.500		S	• 480085	48
3.000	3.005		0.500		N	• 450301N	45	2.623	2.627		0.500		S	• 480410	48
3.125	3.130		0.500		S	• 450310	45	2.623	2.627		0.312		N	• 480410N	48
2.750	2.754		0.500		S	450389 ¹	45	2.623	2.627		0.312		S	• 481424	48
2.623	2.627		0.500		N	• 450410N	45	3.623	3.628		0.375		S	487945 ¹	48
2.713	2.717		0.468		S	450446 ¹	45	2.846	2.850		0.375		S	493524	49
2.717	2.720		0.468		V	450543V ¹	45	2.500	2.505		0.250		U	710025	#
3.062	3.066		0.500		S	• 451091	45	2.625	2.630		0.312		N	710263 ^{1,5}	47
2.686	2.690		0.437		S	• 451883	45	2.720	2.725		0.210		S	710365 ⁸	46
2.835	2.839		0.468		S	• 451943	45	2.745	2.750		0.369		N	710447 ^{1,5}	47
2.875	2.879		0.437		S	• 451944	45	2.623	2.631	3.091	0.264		N	710640	62
3.000	3.005		0.375		S	• 452009	45	2.996	3.003		0.438		N	714654 ^{1,4}	47
2.500	2.504		0.437		H	452261H ¹	45	2.005" SHAFT							
3.543	3.548		0.500		S	455253 ¹	45	2.878	2.888		0.340		V	320259 ⁵	32
2.996	3.001		0.500		S	• 470085	47	51,00mm (2.008") SHAFT							
2.996	3.001		0.500		N	• 470085N	47	70,00	70,28		11,00		N	8316 ⁵	32
3.189	3.194		0.437		S	• 470095	47	2.756	2.767		0.433		S	225110 ¹	47
3.371	3.376		0.468		N	• 470102N	47	65,00	65,10		7,00		S		
3.000	3.005		0.500		S	• 470301	47	2.559	2.563		0.276		S	• 474096	47
3.125	3.130		0.500		S	• 470310	47	2.559	2.563		0.276		S	494123 ¹	49
2.686	2.690		0.500		S	• 470360	47	63,00	63,12		6,00		S		
2.750	2.754		0.500		S	• 470389	47	2.480	2.485		0.236		N	710265	35
2.750	2.754		0.500		N	• 470389N	47	66,00	66,20		6,50		N		
2.623	2.627		0.500		S	• 470410	47	2.598	2.606		0.256		S	710323	49
2.996	3.001		0.375		S	470530¹	47	63,00	63,20		8,50		S		
2.996	3.001		0.375		V	470530V ¹	47	2.480	2.488		0.335				
2.717	2.720		0.468		S	470543 ¹	47								

Size Section

RADIAL SHAFT SEALS



Hsg Bore	Seal O.D.	Seal Flanged O.D.	Seal Width	Width w/Side Lip	Lip Mat'l	Part No.	Type/ Illus.
51,00mm (2.008") SHAFT (cont.)							
62,00	62,10		7,00		S	710407	33
2.441	2.445		0.276				
65,00	65,20		7,00		V	710788 ⁵	32
2.559	2.567		0.276				
70,00	70,20		7,50		N	710912 ⁵	32
2.756	2.764		0.295				
66,00	66,20		7,00		E	710923 ⁵	32
2.598	2.606		0.275				
66,00	66,20		7,50		N	710932 ⁵	32
2.598	2.606		0.295				
2.010" SHAFT							
2.650	2.655		0.363		S	3794	49
2.047" SHAFT							
			0.500			99204 Redi-Sleeve	
65,00	65,30		9,00		S	1955	35
2.559	2.571		0.354				
66,00	66,12		7,50		S	4898	66
2.598	2.603		0.295				
68,00	68,28		7,00		S	4990 ¹	281
2.677	2.688		0.276				
66,00	66,23		9,00		N	225210	35
2.598	2.607		0.354				
68,00	68,28		8,00		S	225220	32
2.677	2.688		0.315				
70,00	70,27		8,00		S	225225 ¹	47
2.756	2.767		0.315				
72,00	72,28		8,00		S	225230	35
2.835	2.846		0.315				
75,00	75,11		7,50		S	225275 ¹	66
2.953	2.957		0.295				
77,00	78,00		9,00		S	710107 ⁸	34
3.031	3.071		0.354				
94,00	94,30		10,00		S	710185	35
3.701	3.713		0.394				
70,00	70,27		8,50		N	710187 ⁵	32
2.756	2.766		0.335				
68,00	68,43		8,00		H	710190 ⁵	32
2.677	2.694		0.315				
62,00	63,00		5,50		S	710253 ⁸	34
2.441	2.480		0.217				
68,00	68,10		8,00		S	710292 ⁶	40
2.677	2.681		0.315				
68,00	68,20		13,00		S	710312	32
2.677	2.685		0.512				
69,00	69,20		15,00		S	710527	32
2.717	2.724		0.591				
78,00	78,20		9,00		N	710634	35
3.071	3.079		0.354				
72,00	72,20		8,00		N	710722 ⁵	40
2.835	2.839		0.315				
87,00	87,20		10,30		N	710734 ⁵	40
3.425	3.433		0.406				
80,00	80,20		8,00		V	710744 ⁴	40
3.150	3.157		0.315				
75,00	75,20		8,00		V	710745 ⁴	40
2.953	2.961		0.315				

Hsg Bore	Seal O.D.	Seal Flanged O.D.	Seal Width	Width w/Side Lip	Lip Mat'l	Part No.	Type/ Illus.
2.047" SHAFT (cont.)							
3.555	3.563		0.394		V	710751 ⁴	74
75,00	75,25		8,00		V	710953 ⁶	40
2.953	2.963		0.315				
2.048" SHAFT							
2.728	2.732		0.590		S	3087	#
2.058" SHAFT							
3.149	3.154		0.270		S	200110	200
2.622	2.628		0.311		V	710604 ⁵	32
2.059" SHAFT							
2.846	2.852	3.071	0.398		V	710561 ⁵	74
2.060" SHAFT							
			0.781			99205 Redi-Sleeve	
2.062" SHAFT							
3.000	3.005		0.375		V	2822V ¹	96
2.937	3.034		0.340		S	4162 ⁸	200E
3.151	3.156		0.240		F	5756	29
2.842	2.846		0.450		L	5877	5L
3.000	3.005		0.310		S	6954S	44
2.996	3.001		0.500		S	• 410261	41
3.000	3.005		0.375		S	• 412012	41
3.000	3.005		0.437		N	412798N ¹	41
3.190	3.194		0.437		S	416738¹	41
3.189	3.194		0.437		S	450096	45
2.996	3.001		0.500		S	• 450261	45
3.061	3.066		0.500		S	450307¹	45
3.125	3.130		0.500		S	450311 ¹	45
3.251	3.256		0.500		S	450313 ¹	45
3.371	3.376		0.468		S	450343 ¹	45
3.350	3.355		0.468		S	• 450532	45
2.875	2.879		0.437		S	451948¹	45
3.623	3.628		0.468		S	455260¹	45
3.000	3.005		0.375		S	472012¹	47
2.875	2.879		0.375		S	• 472579	47
3.189	3.194		0.375		S	• 472928	47
2.996	3.001		0.375		S	473466¹	47
3.189	3.194		0.437		S	• 480096	48
2.996	3.001		0.500		S	• 480261	48
3.000	3.005		0.500		S	• 480302	48
3.061	3.066		0.500		S	• 480307	48
3.125	3.130		0.500		S	• 480311	48
3.251	3.256		0.500		S	• 480313	48
3.371	3.376		0.468		S	• 480343	48
2.875	2.879		0.468		S	• 480373	48
3.000	3.005		0.375		S	• 482012	48
2.561	2.565		0.313		V	484064V	48
3.623	3.628		0.468		S	• 485260	48
2.620	2.632		0.355		T	710555 ⁵	34
2.063" SHAFT							
3.000	3.007		0.394		V	710533 ¹	75
2.065" SHAFT							
3.125	3.130		0.294		S	200865 ⁸	200E

SIZE SECTION

¹Redicoat®; ⁴Counter-Clockwise-Spiral Lip Design; ⁵Clockwise-Spiral Lip Design; ⁶Bi-Directional Lip Design; ⁸External Bore; ; • Non Stock Item - Special Order

Size Section

RADIAL SHAFT SEALS

SIZE SECTION

Seal								Seal							
Hsg Bore	Seal O.D.	Flanged O.D.	Seal Width	Width w/Side Lip	Lip Mat'l	Part No.	Type/Illus.	Hsg Bore	Seal O.D.	Flanged O.D.	Seal Width	Width w/Side Lip	Lip Mat'l	Part No.	Type/Illus.
2.087" SHAFT (cont.)								2.125" (2-1/8") SHAFT (cont.)							
2.685	2.696		0.276		S	710175	32	3.251	3.256		0.500		S	• 410314	41
71,00	71,10		9,00		S	710522	35	2.875	2.879		0.437		N	410867N ¹	41
2.795	2.799		0.354					2.875	2.879		0.437		V	410867V ¹	41
3.176	3.181	3.512	0.433		N	710537 ⁶	72	2.875	2.879		0.437		S	• 410867	41
71,00	71,14		11,50		S	710589 ⁶	47	2.875	2.879		0.437		S	• 410867R	41
2.795	2.801		0.453					3.371	3.376		0.468		N	410972N ¹	41
72,00	72,20		10,00		N	710777 ⁵	32	3.371	3.376		0.468		S	• 410972	41
2.835	2.843		0.394					2.750	2.754		0.500		S	• 411949	41
68,00	68,20		8,00		N	710909 ⁴	32	2.750	2.754		0.500		N	• 411949N	41
2.677	2.685		0.315					3.000	3.005		0.375		V	412015V ¹	41
71,00	71,20		7,00		E	710939 ⁵	32	3.125	3.130		0.375		S	• 412016	41
2.795	2.803		0.276					3.125	3.130		0.375		N	• 412016N	41
53,00mm (2.0870") SHAFT								3.251	3.256		0.437		S	• 412032	41
73,00	73,20		10,00		N	710588 ¹²	32	3.350	3.355		0.375		S	413469¹	41
2.874	2.882		0.394					3.371	3.376		0.375		S	413470¹	41
2.088" SHAFT								3.371	3.376		0.375		V	413470V ¹	41
2.911	2.915	3.309	0.500		S	710507	71	3.623	3.628		0.468		S	• 415080	41
2.093" SHAFT								3.543	3.548		0.500		S	415349 ¹	41
2.717	2.721		0.406		S	6590S	204	3.543	3.548		0.500		N	• 415349N	41
2.835	2.840		0.250		S	• 40627X	4S	3.543	3.548		0.500		V	• 415349V	41
3.150	3.156		0.250		S	40973S	4S	3.500	3.505		0.500		S	• 415659	41
2.750	2.754		0.250		S	41013S	4S	3.500	3.505		0.375		S	416267¹	41
2.717	2.725		0.250		S	340900	34	3.371	3.376		0.312		S	440972	44
2.122" SHAFT								2.996	3.001		0.500		S	450115	45
3.030	3.040	3.362	0.430		V	710653 ⁶	87	2.996	3.001		0.500		N	• 450115N	45
2.125" (2-1/8") SHAFT								3.189	3.194		0.437		S	450121	45
2.880	2.885		0.550		N	2457 ^{1,4}	74	3.189	3.194		0.437		N	• 450121N	45
3.436	3.440		0.625		F	6380	29	3.189	3.194		0.437		V	• 450121V	45
2.875	2.879		0.312		S	6626S	4S	3.000	3.005		0.500		N	• 450303N	45
2.875	2.879		0.375		H	6879H	33	3.000	3.005		0.500		S	• 450303SSR	45
3.193	3.198		0.812		H	7790H ¹	47	3.000	3.005		0.500		V	• 450303V	45
3.146	3.153		0.500		F	8243	#	3.061	3.066		0.500		S	450308 ¹	45
3.000	3.005		0.312		S	8430S	49	3.251	3.256		0.500		S	• 450314	45
2.996	3.001		0.687		S	8650S	1L	2.875	2.879		0.468		S	450365 ¹	45
2.878	2.884		0.437		S	9599S ^{1,5}	47	2.875	2.879		0.468		V	• 450365V	45
3.189	3.194		0.437		T	39302 ^{1,5}	W-H	2.875	2.879		0.468		N	• 450898N	45
3.189	3.194		0.437		T	39719 ^{1,4}	W-H	2.875	2.879		0.375		S	• 450972	45
2.875	2.879		0.437		T	39851 ^{1,4}	FW-H	3.371	3.376		0.468		S	• 450972	45
2.875	2.879		0.437		T	39853 ^{1,5}	FW-H	3.251	3.256		0.437		S	• 452032	45
2.875	2.879		0.250		S	40566S	4S	2.875	2.879		0.500		S	• 452612	45
3.350	3.355		0.468		S	• 410097	41	3.623	3.628		0.468		S	455080¹	45
3.350	3.355		0.468		N	• 410097N	41	3.500	3.505		0.500		S	• 455659	45
3.350	3.355		0.468		V	• 410097V ¹³	41	3.501	3.505		0.375		S	• 456267	45
2.996	3.001		0.500		S	• 410115	41	3.350	3.355		0.500		S	• 456861	45
2.996	3.001		0.500		N	• 410115N	41	2.996	3.001		0.500		S	• 470115	47
3.189	3.194		0.437		S	• 410121	41	3.189	3.194		0.437		S	• 470121	47
3.189	3.194		0.437		V	• 410121V	41	3.000	3.005		0.500		S	• 470303	47
3.000	3.005		0.500		S	• 410303	41	3.000	3.005		0.500		N	• 470303N	47
3.000	3.005		0.500		N	• 410303N	41	3.061	3.066		0.500		N	470308N ¹	47
3.061	3.066		0.500		S	410308¹	41	3.061	3.066		0.500		S	• 470308	47
3.125	3.130		0.500		N	410312N ¹	41	3.125	3.130		0.500		S	• 470312	47
3.125	3.130		0.500		S	410312	41	3.125	3.130		0.500		N	• 470312N	47

34 ¹Redicoat®; ⁴Counter-Clockwise-Spiral Lip Design; ⁵Clockwise-Spiral Lip Design; ⁶Bi-Directional Lip Design; ¹²ABS Sensor in Seal; ¹³Hydrodynamic Lip Design-CCW; ; • Non Stock Item - Special Order

Size Section

RADIAL SHAFT SEALS



Hsg Bore	Seal O.D.	Seal Flanged O.D.	Seal Width	Width w/Side Lip	Lip Mat'l	Part No.	Type/ Illus.
2.125" (2-1/8") SHAFT (cont.)							
3.251	3.256		0.500		S	• 470314	47
3.251	3.256		0.500		N	• 470314N	47
2.875	2.879		0.437		S	• 470867	47
2.875	2.879		0.437		N	• 470867N	47
2.875	2.879		0.375		S	470898¹	47
2.875	2.879		0.375		V	470898V ¹	47
2.875	2.879		0.375		N	• 470898N	47
3.371	3.376		0.468		S	• 470972	47
2.758	2.762		0.437		S	471950 ¹	47
2.758	2.762		0.437		N	• 471950N	47
3.000	3.005		0.375		S	472015¹	47
3.000	3.005		0.375		N	• 472015N	47
3.125	3.130		0.375		S	472016¹	47
3.189	3.194		0.375		S	472409¹	47
3.189	3.194		0.375		N	• 472409N	47
3.189	3.194		0.375		V	• 472409V	47
2.750	2.754		0.375		S	473204¹	47
2.750	2.754		0.375		N	• 473204N	47
3.251	3.256		0.375		S	473243¹	47
3.251	3.256		0.375		V	• 473243V	47
2.996	3.001		0.375		S	473467¹	47
3.061	3.066		0.375		S	473468 ¹	47
3.350	3.355		0.375		S	• 473469	47
2.561	2.565		0.492		S	• 474069	47
3.623	3.628		0.468		N	475080N ¹	47
3.500	3.505		0.500		S	• 475659	47
3.500	3.505		0.375		S	• 476267	47
3.149	3.154		0.375		S	476535 ¹	47
3.149	3.154		0.375		N	• 476535N	47
3.937	3.942		0.375		S	• 476808	47
3.350	3.355		0.468		S	• 480097	48
2.996	3.001		0.500		S	• 480115	48
3.189	3.194		0.437		S	• 480121	48
3.061	3.066		0.500		S	• 480308	48
3.125	3.130		0.500		S	• 480312	48
3.125	3.130		0.500		N	• 480312N	48
3.251	3.256		0.500		S	• 480314	48
2.875	2.879		0.468		S	• 480365	48
2.835	2.839		0.468		S	• 480639	48
2.875	2.879		0.437		N	• 480867N	48
2.875	2.879		0.375		S	• 480898	48
2.875	2.879		0.375		H	• 480898H	48
3.371	3.376		0.468		S	• 480972	48
3.000	3.005		0.375		N	• 482015N	48
3.000	3.005		0.375		V	• 482015V	48
3.125	3.130		0.375		S	• 482016	48
2.875	2.879		0.500		S	• 482612	48
3.251	3.256		0.375		S	• 483243	48
3.350	3.356		1.250		S	• 483815	48
3.500	3.505		0.500		S	• 485659	48
3.501	3.505		0.375		S	• 486267	48
2.756	2.764	3.228	0.469		S	710506 ⁵	86
2.914	2.920	3.346	0.469		T	710558 ⁶	74
2.909	2.917	3.150	0.500		V	710866	86
2.1260" SHAFT							
2.875	2.879	3.134	0.437		V	710652	#

Hsg Bore	Seal O.D.	Seal Flanged O.D.	Seal Width	Width w/Side Lip	Lip Mat'l	Part No.	Type/ Illus.
2.126" SHAFT (cont.)							
			0.500			99210	Redi-Sleeve
			0.781			99212	Redi-Sleeve
65,00	65,28		12,50		S	2002	47
2.559	2.570		0.492				
66,00	66,23		7,50		S	225410	#
2.598	2.607		0.295				
82,00	82,30		10,00		S	225450	32
3.228	3.240		0.394				
2.965	2.972	0.315	0.472		S	710073	40
69,00	69,23		7,50		N	710239	40
2.717	2.726		0.295				
65,00	65,28		7,00		N	710478	48
2.559	2.570		0.276				
64,00	64,25		9,00		S	710574 ⁶	40
2.520	2.530		0.354				
76,00	76,20		8,00		S	710638	35
2.992	3.000		0.315				
75,00	75,20	81,00	12,50		V	710694 ⁶	87
2.953	2.961	3.189	0.492				
80,00	80,20		11,25		S	710851	66
3.150	3.157		0.443				
2.129" SHAFT							
2.891	2.895		0.250		S	42101S	4S
2.835	2.846		0.323		T	100470 ⁵	32
2.130" SHAFT							
2.762	2.766		0.250		N	• 6957RA	48
2.136" SHAFT							
2.904	2.910	3.110	0.326		S	8312 ¹	272
2.141" SHAFT							
3.484	3.493		0.329		V	4635V ^{1,5}	#
2.146" SHAFT							
3.228	3.239		0.600		V	710890	32
2.156" (2-5/32") SHAFT							
2.880	2.885		0.375		T	100058 ^{1,5}	W
3.189	3.194		0.437		S	450621 ¹	45
3.189	3.194		0.437		N	• 450621N	45
3.251	3.256		0.500		S	450869 ¹	45
2.157" SHAFT							
3.059	3.067		0.335		V	710725	32
2.160" SHAFT							
2.973	2.979	3.323	0.421		N	100796 ¹	79
2.162" SHAFT							
3.543	3.548		0.375		S	• 476513	47
2.165" SHAFT							
			0.380			99228	Redi-Sleeve
			0.787			99215	Redi-Sleeve
68,00	68,30		8,00		S	225500	32
2.677	2.689		0.315				

SIZE SECTION

¹Redicoat®; ⁵Clockwise-Spiral Lip Design; ⁶Bi-Directional Lip Design; ; • Non Stock Item - Special Order

Size Section

RADIAL SHAFT SEALS

SIZE SECTION

55,00mm (2.165") SHAFT (cont.)							2.187" (2-3/16") SHAFT (cont.)								
Hsg Bore	Seal O.D.	Seal Flanged O.D.	Seal Width	Width w/Side Lip	Lip Mat'l	Part No.	Type/ Illus.	Hsg Bore	Seal O.D.	Seal Flanged O.D.	Seal Width	Width w/Side Lip	Lip Mat'l	Part No.	Type/ Illus.
72,00	72,25		8,00		S	225530	35	3.125	3.130		0.500		N	• 450681N	45
2.835	2.844		0.315					3.125	3.130		0.500		S	• 450681	45
72,00	72,20		10,50		S	225535	32	3.000	3.005		0.437		S	• 450718	45
2.835	2.843		0.413					3.000	3.005		0.500		S	• 451338	45
75,00	75,35		11,00		S	225545	35	2.875	2.879		0.437		S	• 451953	45
2.953	2.967		0.433					2.996	3.001		0.437		S	• 452017	45
4.003	4.008		0.437		V	• 477674V	47	3.000	3.005		0.375		S	• 452018	45
68,00	68,20	72,70	8,00		S	710127	74	3.062	3.066		0.500		S	• 452019	45
2.677	2.685	2.862	0.315					3.125	3.130		0.375		S	• 452020	45
70,00	70,20		8,00		V	710279 ⁴	32	3.371	3.376		0.468		S	• 452035	45
2.756	2.764		0.315					3.350	3.355		0.500		S	• 452604	45
75,00	75,20		8,00		N	710467	47	2.875	2.879		0.375		S	• 453244	45
2.953	2.961		0.315					3.251	3.256		0.375		S	• 453245	45
171,00	171,20		7,50		T	710787	40	3.623	3.628		0.468		S	• 455350	45
6.732	6.740		0.295					3.500	3.505		0.500		S	• 455636	45
2.172" SHAFT							3.543	3.548		0.500		S	• 456269	45	
3.345	3.350		0.500		S	• 482435	48	3.350	3.355		0.468		S	• 470098	47
2.180" SHAFT							2.996	3.001		0.500		S	• 470139	47	
3.190	3.194		0.620		S	3103 ^{1,5}	69	3.251	3.256		0.500		S	• 470315	47
2.999	3.004		0.250		S	4740 ¹	282	3.189	3.194		0.437		S	470354¹	47
3.000	3.005		0.495		S	8974S	49	2.875	2.879		0.468		S	• 470489	47
3.190	3.194		0.620		V	713103 ^{1,5}	69	3.125	3.130		0.500		S	• 470681	47
2.185" SHAFT							3.000	3.005		0.500		S	• 471338	47	
3.142	3.148		0.413		N	710413	40	2.835	2.839		0.468		S	471952¹	47
3.016	3.020	3.543	0.465		T	710771 ⁶	79	2.875	2.879		0.437		S	• 471953	47
2.187" (2-3/16") SHAFT							2.996	3.001		0.437		S	• 472017	47	
3.189	3.194		0.718		L	6186	1L	3.000	3.005		0.375		V	• 472018V	47
3.187	3.194		0.687		S	6636S	35	3.000	3.005		0.375		N	• 472018N	47
3.350	3.355		0.468		S	• 410098	41	3.000	3.005		0.375		S	472018¹	47
2.996	3.001		0.500		S	• 410139	41	3.062	3.066		0.500		S	• 472019	47
3.251	3.256		0.500		N	• 410315N	41	3.125	3.130		0.375		S	472020¹	47
3.251	3.256		0.500		S	• 410315	41	3.371	3.376		0.468		S	• 472035	47
3.189	3.194		0.437		S	• 410354	41	2.996	3.001		0.375		S	472234¹	47
2.875	2.879		0.468		S	• 410489	41	3.189	3.194		0.375		S	• 472940	47
3.125	3.130		0.500		S	• 410681	41	2.875	2.879		0.375		S	473244¹	47
3.000	3.005		0.500		S	• 411338	41	3.251	3.256		0.375		S	473245¹	47
2.875	2.879		0.437		S	• 411953	41	3.062	3.066		0.375		S	473471¹	47
2.875	2.879		0.437		N	• 411953N	41	3.623	3.628		0.468		S	• 475350	47
2.996	3.001		0.437		S	• 412017	41	3.500	3.505		0.500		S	• 475636	47
3.000	3.005		0.375		S	• 412018	41	3.500	3.505		0.375		S	• 476268	47
3.062	3.066		0.500		S	• 412019	41	5.118	5.124		0.375		S	476511 ¹	47
3.125	3.130		0.375		S	• 412020	41	3.350	3.355		0.468		S	• 480098	48
3.371	3.376		0.468		S	• 412035	41	2.996	3.001		0.500		S	• 480139	48
3.350	3.355		0.375		S	412943¹	41	3.251	3.256		0.500		S	• 480315	48
2.875	2.879		0.375		S	• 413244	41	3.189	3.194		0.437		S	• 480354	48
2.875	2.879		0.375		N	• 413244N	41	2.875	2.879		0.468		S	• 480489	48
3.251	3.256		0.375		S	• 413245	41	3.125	3.130		0.500		S	• 480681	48
3.371	3.376		0.375		S	413472¹	41	3.000	3.005		0.500		S	• 481338	48
3.623	3.628		0.468		S	415350¹	41	2.875	2.879		0.437		S	• 481953	48
3.500	3.505		0.500		S	• 415636	41	2.996	3.001		0.437		S	• 482017	48
3.500	3.505		0.375		S	416268¹	41	3.000	3.005		0.375		S	• 482018	48
3.543	3.548		0.500		S	• 416269	41	3.062	3.066		0.500		S	• 482019	48
2.875	2.879		0.468		S	450489	45	3.125	3.130		0.375		S	• 482020	48
								3.371	3.376		0.468		S	• 482035	48
								2.875	2.879		0.375		S	• 483244	48

Size Section

RADIAL SHAFT SEALS



Hsg Bore	Seal		Width		Lip Mat'l	Part No.	Type/ Illus.
	Seal O.D.	Flanged O.D.	Seal Width	w/Side Lip			
2.187" (2-3/16") SHAFT (cont.)							
3.251	3.256		0.375		S	• 483245	48
3.623	3.628		0.468		S	• 485350	48
3.500	3.505		0.500		S	• 485636	48
3.500	3.505		0.375		S	• 486268	48
2.188" SHAFT							
			0.781			99218 Redi-Sleeve	
3.063	3.067		0.250		F	5MR71	#
2.197" SHAFT							
3.022	3.030	3.346	0.394		V	710675 ⁴	79
2.200" SHAFT							
3.022	3.028		0.422		V	4741 ^{1,4}	79
2.804	2.809		0.300		N	710171	47
2.201" SHAFT							
3.519	3.523		0.590		S	2286 ¹	74
2.735	2.741	2.913	0.197		S	3553 ¹	284
2.205" SHAFT							
			0.500			99220 Redi-Sleeve	
68,00	68,28	74,00	5,00		S	1932	49
2.677	2.682	2.913	0.197				
73,00	73,28		12,50		S	1993	47
2.874	2.885		0.492				
75,00	75,13		6,50		S	4899	66
2.953	2.958		0.256				
72,00	72,29	77,00	11,50		S	225650 ⁶	32
2.835	2.846	3.031	0.453				
73,00	73,23		7,50		S	225673 ¹	76
2.874	2.883		0.295				
78,00	78,28		7,50		S	225678	#
3.071	3.082		0.295				
75,00	75,13		10,00		N	225885 ⁶	32
2.953	2.958		0.394				
72,00	72,20	77,00	8,00		S	710069 ⁷	87
2.835	2.843	3.032	0.315				
122,00	122,25		8,00		S	710086	32
4.803	4.813		0.315				
76,00	76,12		12,30		S	710108	66
2.992	2.997		0.484				
74,00	74,20	78,10	8,00		S	710125	47
2.913	2.921	3.075	0.315				
76,00	76,14	81,50	6,00		S	710146	72
2.992	2.988	3.209	0.236				
67,00	67,20		5,50		S	710169 ⁶	35
2.638	2.646		0.217				
74,00	74,14	82,00	8,50		S	710176	87
2.913	2.919	3.228	0.335				
72,00	72,20		8,00		S	710393	32
2.835	2.843		0.315				
2.846	2.854		0.315		S	710463	32
2.846	2.854		0.315		S	710464	40
2.876	2.874		0.413		N	710578 ⁶	48
70,00	70,20		7,50		N	710924	35
2.756	2.764		0.295				

Hsg Bore	Seal		Width		Lip Mat'l	Part No.	Type/ Illus.
	Seal O.D.	Flanged O.D.	Seal Width	w/Side Lip			
56,00mm (2.205") SHAFT (cont.)							
73,00	73,23		8,00		S	712938	49
2.874	2.883		0.315				
2.222" SHAFT							
3.543	3.548		0.760		H	7568 ¹	12
2.230" SHAFT							
			0.781			99230 Redi-Sleeve	
2.240" SHAFT							
			0.764			99226 Redi-Sleeve	
3.190	3.194		0.450		S	3095 ^{1,5}	69
57,00mm (2.241") SHAFT							
72,00	72,20		8,50		N	710705 ⁶	32
2.835	2.843		0.335				
57,00mm (2.244") SHAFT							
81,00	81,10		9,00		S	1928	47
3.189	3.193		0.354				
67,00	67,11		6,00		S	1984	25
2.638	2.642		0.236				
79,00	79,28		9,00		S	710072 ¹	75
3.110	3.121		0.354				
123,00	123,30		11,00		S	710104	40
4.843	4.854		0.433				
80,00	80,10		8,00		S	710225	48
3.150	3.154		0.315				
73,00	73,20		8,00		V	710718 ⁴	32
2.874	2.882		0.315				
2.250" (2-1/4") SHAFT							
3.061	3.066		0.500		N	7937N	41
3.251	3.256		0.250		S	40316S	4S
3.125	3.130		0.250		S	40433S	4S
3.000	3.005		0.250		S	40520S	4S
3.443	3.447		0.250		S	41075S	4S
2.875	2.879		0.250		S	43034S	4S
3.876	3.881		0.468		L	55337	5L
3.249	3.250		0.285		S	200763 ⁸	200E
3.000	3.060		0.290		S	• 200940 ⁸	200E
2.625	2.636		0.187		S	341022	34
3.372	3.382		0.475		S	370219A	12
3.350	3.355		0.468		N	• 410099N	41
3.251	3.256		0.500		S	410316	41
2.996	3.001		0.500		N	• 410441N	41
3.000	3.005		0.500		S	410520 ¹	41
3.000	3.005		0.500		N	• 410520N	41
3.251	3.256		0.437		S	• 410614	41
3.251	3.256		0.437		N	• 410614N	41
3.189	3.194		0.437		S	410737¹	41
3.125	3.130		0.375		S	• 411138	41
3.061	3.066		0.500		S	• 411234	41
3.061	3.066		0.500		N	• 411234N	41
3.350	3.355		0.375		S	411253¹	41
3.000	3.005		0.375		S	• 411272	41
2.996	3.001		0.437		S	• 411341	41

SIZE SECTION

¹Redicoat®; ⁴Counter-Clockwise-Spiral Lip Design; ⁵Clockwise-Spiral Lip Design; ⁶Bi-Directional Lip Design; ⁷Flanged O.D.; ⁸External Bore; ; • Non Stock Item - Special Order

Size Section

RADIAL SHAFT SEALS

SIZE SECTION

Hsg Bore	Seal		Width			Part No.	Type/ Illus.	Hsg Bore	Seal		Width			Part No.	Type/ Illus.
	O.D.	Flanged O.D.	Seal Width	w/Side Lip	Lip Mat'l				O.D.	Flanged O.D.	Seal Width	w/Side Lip	Lip Mat'l		
2.250" (2-1/4") SHAFT (cont.)								2.250" (2-1/4") SHAFT (cont.)							
2.996	3.001		0.437		N	• 411341N	41	3.061	3.066		0.375		S	473473¹	47
3.500	3.505		0.375		S	411376¹	41	3.500	3.505		0.500		S	• 475093	47
2.987	2.991		0.500		S	• 411452	41	3.623	3.628		0.468		N	475234N ¹	47
3.371	3.376		0.375		S	412920¹	41	3.623	3.628		0.468		S	• 475234	47
3.371	3.376		0.375		V	412920V ¹	41	3.751	3.756		0.500		S	• 475259	47
3.500	3.505		0.500		S	• 415093	41	3.350	3.355		0.468		S	• 480099	48
3.500	3.505		0.500		N	• 415093N	41	3.371	3.376		0.468		S	• 480132	48
3.623	3.628		0.468		S	415234¹	41	3.371	3.376		0.468		N	• 480132N	48
4.003	4.008		0.468		S	415254 ¹	41	3.251	3.256		0.500		S	• 480316	48
3.751	3.756		0.500		S	415259¹	41	3.251	3.256		0.500		S	• 480316N	48
3.543	3.548		0.500		S	416270 ¹	41	3.125	3.130		0.500		S	• 480433	48
3.371	3.376		0.375		S	442109 ¹	44	2.996	3.001		0.500		S	• 480441	48
3.350	3.355		0.468		S	450099 ¹	45	3.000	3.005		0.500		S	• 480520	48
3.371	3.376		0.468		S	450132	45	3.189	3.194		0.437		S	• 480737	48
3.251	3.256		0.500		S	450316 ¹	45	3.125	3.130		0.375		S	• 481138	48
3.251	3.256		0.500		N	• 450316N	45	3.125	3.130		0.375		N	• 481138N	48
3.125	3.130		0.500		N	• 450433N	45	3.061	3.066		0.500		S	• 481234	48
2.996	3.001		0.500		S	450441 ¹	45	3.000	3.005		0.375		S	• 481272	48
2.996	3.001		0.500		N	• 450441N	45	3.000	3.005		0.375		N	• 481272N	48
3.000	3.005		0.500		S	• 450520	45	3.251	3.256		0.375		S	• 482636	48
3.000	3.005		0.500		N	• 450520N	45	3.189	3.194		0.375		S	• 482916	48
3.251	3.256		0.437		S	• 450614	45	3.371	3.376		0.375		S	• 482920	48
3.189	3.194		0.437		S	450737 ¹	45	3.500	3.505		0.500		S	• 485093	48
3.125	3.130		0.375		S	• 451138	45	3.623	3.628		0.468		S	• 485234	48
3.061	3.066		0.500		S	• 451234	45	3.751	3.756		0.500		S	• 485259	48
3.000	3.005		0.375		S	• 451272	45	2.750	2.755		0.250		U	710026	#
2.996	3.001		0.437		S	• 451341	45	2.750	2.755		0.281		U	710041	#
3.251	3.256		0.375		S	• 452636	45	2.835	2.840		0.500		S	710045	VRS1
3.371	3.376		0.375		S	• 452920	45	3.000	3.005		0.375		V	712250 ¹	47
3.350	3.355		0.312		N	454136N ¹	45	2.675	2.733		0.539		S	722109	VRS1
3.500	3.505		0.500		S	455093 ¹	45	4.064	4.069		1.092		N	722250 ¹	90
3.481	3.486		0.500		S	455136 ¹	45	2.252" SHAFT							
3.751	3.756		0.500		S	• 455259	45				0.313		99227	Redi-Sleeve	
3.350	3.355		0.500		S	• 456622	45				0.781		99225	Redi-Sleeve	
3.623	3.628		0.500		S	• 456792	45	2.254" SHAFT							
3.371	3.376		0.468		S	• 470132	47	2.756	2.763		0.340		V	481191V ^{1,6}	48
3.251	3.256		0.500		S	• 470316	47	2.255" SHAFT							
3.125	3.130		0.500		S	• 470433	47	3.312	3.317		0.380		S	44052	4S
2.996	3.001		0.500		S	• 470441	47	2.272" SHAFT							
2.996	3.001		0.500		V	• 470441V	47	2.654	2.661		0.250		T	39821	W
3.000	3.005		0.500		S	• 470520	47	2.283" SHAFT							
3.000	3.005		0.500		N	• 470520N	47				0.787		99219	Redi-Sleeve	
3.189	3.194		0.437		S	470737 ¹	47	75,00	75,28		9,00		S	225875	32
3.189	3.194		0.437		N	470737N ¹	47	2.953	2.964		0.354		S	493291 ¹	49
3.125	3.130		0.375		S	471138¹	47	3.155	3.159		0.375		S	710136	35
3.000	3.005		0.375		S	471272¹	47	75,00	75,31		7,00		S	710144 ⁴	40
3.000	3.005		0.375		N	471272N ¹	47	2.953	2.965		0.276		S	710183	66
3.000	3.005		0.375		V	471272V ¹	47	78,00	78,20		10,00		S	710183	66
2.996	3.001		0.437		S	471341¹	47	3.071	3.079		0.394		S	710183	66
2.996	3.001		0.437		N	471341N ¹	47	76,00	76,10		6,50		S	710183	66
3.500	3.505		0.375		S	• 471376	47	2.992	2.996		0.256		S	710183	66
3.251	3.256		0.375		S	472636¹	47								
3.251	3.256		0.375		V	• 472636V	47								
3.189	3.194		0.375		S	• 472916	47								
3.371	3.376		0.375		S	472920 ¹	47								

Size Section

RADIAL SHAFT SEALS

TIMKEN®

Hsg Bore	Seal O.D.	Flanged O.D.	Seal Width	Width w/Side Lip	Lip Mat'l	Part No.	Type/ Illus.
58,00mm (2.283") SHAFT (cont.)							
76,00	76,23		7,80		S	710230	32
2.992	3.001		0.307				
103,00	103,20		11,00		N	710268 ⁴	40
4.055	4.063		0.433				
74,00	74,20		10,00		S	710271 ⁴	32
2.913	2.921		0.394				
73,00	73,10	77,00	8,50		S	710439	74
2.874	2.878	3.032	0.335				
70,00	70,10		7,00		N	710575	48
2.756	2.760		0.276				
78,00	78,50		10,00		V	710667 ⁴	40
3.071	3.091		0.394				
3.201	3.209		0.492		V	710684 ⁶	69
2.921	2.929		0.315		N	710740 ⁵	32
70,00	70,20		8,00		N	710910 ⁴	32
2.756	2.764		0.315				
2.294" SHAFT							
3.228	3.236		0.352		V	710623 ⁵	32
2.296" SHAFT							
3.148	3.153		0.359		S	204035	204
3.148	3.153		0.359		F	205035	205
2.300" SHAFT							
3.322	3.330	3.858	0.425		V	710902 ⁴	79
2.307" SHAFT							
3.161	3.165		0.610		N	710756	40
2.312" (2-5/16") SHAFT							
			0.781			99231 Redi-Sleeve	
3.000	3.004		0.375		S	4131 ^{1,7}	287
3.313	3.318		0.375		L	5924	4L
3.350	3.355		0.468		N	• 410100N	41
3.251	3.256		0.500		S	• 410317	41
3.125	3.130		0.500		S	• 410551	41
3.350	3.355		0.375		S	410694 ¹	41
3.000	3.005		0.500		V	411160V ¹	41
3.000	3.005		0.500		S	• 411160	41
3.251	3.256		0.375		S	411394¹	41
3.500	3.505		0.500		S	• 415094	41
3.500	3.505		0.375		S	416444¹	41
3.000	3.005		0.250		S	442874	44
3.371	3.376		0.468		S	450133 ¹	45
3.251	3.256		0.500		S	450317 ¹	45
3.251	3.256		0.500		N	• 450317N	45
3.125	3.130		0.500		S	• 450551	45
3.000	3.005		0.500		N	• 451160N	45
3.251	3.256		0.437		S	• 452152	45
3.500	3.505		0.500		N	• 455094N	45
4.003	4.008		0.468		S	• 455267	45
3.751	3.756		0.500		S	455321 ¹	45
3.543	3.548		0.500		S	• 455647	45
3.251	3.256		0.500		S	• 470317	47
3.251	3.256		0.375		S	• 471394	47
3.125	3.130		0.375		N	• 472150N	47

Hsg Bore	Seal O.D.	Flanged O.D.	Seal Width	Width w/Side Lip	Lip Mat'l	Part No.	Type/ Illus.
2.312" (2-5/16") SHAFT (cont.)							
3.125	3.130		0.375		S	472150 ¹	47
3.125	3.130		0.375		V	• 472150V	47
59,00mm (2.323") SHAFT							
100,00	100,28		10,00		N	710121	56
3.937	3.948		0.394				
75,00	75,11		10,00		S	710168 ¹	47
2.953	2.957		0.394				
3.083	3.093		0.315		S	710231	32
80,00	80,20		12,00		N	710680 ⁵	40
3.150	3.157		0.472				
2.324" SHAFT							
3.541	3.546	4.018	0.591		V	710508 ⁵	86
2.330" SHAFT							
			0.750			99233 Redi-Sleeve	
3.000	3.005		0.400		N	3945 ^{1,6}	48
2.997	3.001		0.312		S	493637 ¹	49
2.333" SHAFT							
3.000	3.008		0.327		T	710607 ⁵	35
2.359" SHAFT							
3.938	3.948		0.575		S	370199A ¹⁴	11
2.362" SHAFT							
			0.370			99241 Redi-Sleeve	
			0.787			99235 Redi-Sleeve	
78,00	78,28		8,00		N	226018	35
3.071	3.082		0.315				
80,00	80,29		8,00		S	226020	35
3.150	3.161		0.315				
75,00	75,16	86,00	5,80		S	710093	47
2.953	2.959	3.386	0.228				
86,00	86,10		7,00		S	710182	66
3.386	3.390		0.276				
73,00	73,20		11,00		N	710468	32
2.874	2.881		0.433				
80,00	80,20		8,00		S	710637	35
3.150	3.157		0.315				
75,00	75,20		8,00		N	710794	32
2.953	2.961		0.315				
82,00	82,20		12,00		H	712006 ⁴	32
3.228	3.236		0.472				
2.367" SHAFT							
3.366	3.374		0.257		V	4539V ^{1,5}	75
2.375" (2-3/8") SHAFT							
			0.526			99240 Redi-Sleeve	
			0.594			99238 Redi-Sleeve	
			0.781			99236 Redi-Sleeve	
			0.781			99237 Redi-Sleeve	
3.000	3.013		0.400		V	3393 ⁴	32
3.265	3.270		0.495		S	5119	49
3.350	3.355		0.250		S	40101S	4S

SIZE SECTION

¹Redicoat®; ⁴Counter-Clockwise-Spiral Lip Design; ⁵Clockwise-Spiral Lip Design; ⁶Bi-Directional Lip Design; ⁷Flanged O.D.; ¹⁴Spindle Mount; ; • Non Stock Item - Special Order

Size Section

RADIAL SHAFT SEALS

SIZE SECTION

Seal							Seal								
Hsg Bore	Seal O.D.	Flanged O.D.	Seal Width	Width w/Side Lip	Lip Mat'l	Part No.	Type/ Illus.	Hsg Bore	Seal O.D.	Flanged O.D.	Seal Width	Width w/Side Lip	Lip Mat'l	Part No.	Type/ Illus.
2.375" (2-3/8") SHAFT (cont.)							2.375" (2-3/8") SHAFT (cont.)								
3.000	3.005		0.250		S	41026S	4S	3.371	3.376		0.375		S	• 453247	45
3.471	3.616		0.290		S	200855 ⁸	200E	3.350	3.355		0.312		S	• 454199	45
3.350	3.355		0.468		N	410101N ¹	41	3.543	3.548		0.500		S	• 455248	45
3.350	3.355		0.468		S	• 410101	41	3.623	3.628		0.468		S	• 455380	45
3.350	3.355		0.468		S	• 410101S	41	3.623	3.628		0.468		N	• 455380N	45
3.350	3.355		0.468		V	• 410101V	41	3.623	3.628		0.468		V	• 455380V	45
3.481	3.486		0.500		S	• 410103	41	4.376	4.381		0.625		S	• 455650	45
3.189	3.194		0.437		S	• 410320	41	3.750	3.756		0.500		S	• 455728	45
3.189	3.194		0.437		N	• 410320N	41	3.876	3.881		0.468		S	455860	45
3.371	3.376		0.468		S	• 410350	41	3.500	3.505		0.375		S	• 456271	45
3.125	3.130		0.500		S	• 410552	41	3.500	3.505		0.375		V	• 456271V	45
3.125	3.130		0.500		N	• 410552N	41	3.623	3.628		0.500		S	• 456472	45
3.125	3.130		0.375		S	• 410565	41	3.350	3.355		0.468		S	• 470101	47
3.125	3.130		0.375		N	• 410565N	41	3.350	3.355		0.468		N	• 470101N	47
3.251	3.256		0.500		S	• 410574	41	3.189	3.194		0.437		S	• 470320	47
3.251	3.256		0.500		N	• 410574N	41	3.371	3.376		0.468		S	• 470350	47
3.483	3.488		0.500		N	410686N ¹	41	3.125	3.130		0.500		S	• 470552	47
3.623	3.628		0.375		S	410825¹	41	3.125	3.130		0.500		N	• 470552N	47
3.481	3.486		0.437		S	410987¹	41	3.125	3.130		0.375		S	470565¹	47
3.061	3.066		0.500		S	• 410988	41	3.125	3.130		0.375		V	• 470565V	47
3.061	3.066		0.500		N	• 410988N	41	3.251	3.256		0.500		N	470574N ¹	47
3.112	3.117		0.500		S	• 411178	41	2.996	3.001		0.500		S	470764 ¹	47
3.251	3.256		0.437		N	412038N ¹	41	3.623	3.628		0.375		S	• 470825	47
3.251	3.256		0.437		S	• 412038	41	3.481	3.486		0.437		S	470987	47
3.350	3.355		0.375		S	412119¹	41	3.061	3.066		0.500		S	• 470988	47
3.543	3.548		0.375		S	412861¹	41	3.061	3.066		0.500		N	• 470988N	47
3.251	3.256		0.375		S	413246¹	41	3.350	3.355		0.438		S	472856 ¹	47
3.251	3.255		0.375		N	413246N¹	41	3.251	3.256		0.375		S	• 473246	47
3.371	3.376		0.375		S	413247¹	41	3.371	3.376		0.375		S	• 473247	47
3.500	3.505		0.500		N	• 415095N	41	3.061	3.066		0.375		S	473474¹	47
3.543	3.548		0.500		N	415248N ¹	41	3.189	3.194		0.375		S	473475¹	47
3.543	3.548		0.500		S	• 415248	41	3.000	3.005		0.375		S	473573 ¹	47
3.623	3.628		0.468		N	• 415380N	41	3.350	3.355		0.703		S	• 474198	47
3.601	3.606		0.437		S	415857 ¹	41	3.500	3.505		0.500		N	475095N ¹	47
3.500	3.505		0.703		S	• 415971	41	3.500	3.505		0.500		S	• 475095	47
3.751	3.756		0.500		S	416071¹	41	3.623	3.628		0.468		N	475380N ¹	47
3.500	3.505		0.375		S	416271¹	41	3.623	3.628		0.468		S	• 475380	47
3.500	3.505		0.375		N	• 416271N	41	3.500	3.505		0.375		S	• 476271	47
4.330	4.335		0.500		N	• 416795N	41	3.350	3.355		0.468		S	• 480101	48
3.876	3.881		0.375		S	417480 ¹	41	3.350	3.355		0.468		N	• 480101N	48
3.876	3.881		0.375		N	• 417480N	41	3.189	3.194		0.437		S	• 480320	48
3.350	3.355		0.250		S	442507	44	3.371	3.376		0.468		S	• 480350	48
3.350	3.355		0.468		S	450101 ¹	45	3.125	3.130		0.500		S	• 480552	48
3.350	3.355		0.468		N	• 450101N	45	3.125	3.130		0.375		S	• 480565	48
3.481	3.486		0.500		S	450103 ¹	45	3.252	3.256		0.500		H	480574H ¹	48
3.371	3.376		0.468		S	450350	45	3.251	3.256		0.500		S	• 480574	48
3.371	3.376		0.468		N	• 450350N	45	3.061	3.066		0.500		H	480988H ¹	48
3.125	3.130		0.500		N	• 450552N	45	3.061	3.066		0.500		S	• 480988	48
3.125	3.130		0.375		S	• 450565	45	3.251	3.256		0.375		N	483246N ^{1,5}	48
3.251	3.256		0.500		N	• 450574N	45	3.251	3.256		0.375		S	• 483246	48
3.483	3.488		0.500		S	450686 ¹	45	3.371	3.376		0.375		S	• 483247	48
3.061	3.066		0.500		N	• 450988N	45	3.500	3.505		0.500		S	• 485095	48
3.061	3.066		0.500		V	• 450988V	45	3.500	3.505		0.375		S	• 486271	48
3.251	3.256		0.437		S	• 452038	45	4.500	4.504		1.060		N	710006 ^{1,5}	74
3.251	3.256		0.375		S	• 453246	45	3.875	3.881		1.060		N	711553 ^{1,6}	74

Size Section

RADIAL SHAFT SEALS



Hsg Bore	Seal		Width		Lip Mat'l	Part No.	Type/ Illus.
	Seal O.D.	Flanged O.D.	Seal Width	w/Side Lip			
2.375" (2-3/8") SHAFT (cont.)							
4.064	4.069		1.092		N	712375 ¹	90
4.498	4.505	124.000	0.391		N	714512 ^{1,6}	87
2.378" SHAFT							
3.150	3.157	3.385	0.402		V	710750 ⁵	87
2.394" SHAFT							
2.697	2.705	3.220	0.433		S	710430	#
61,00mm (2.402") SHAFT							
76,00	76,28		10,00		S	226150	#
2.992	3.003		0.394				
88,00	88,00		7,00		S	710170	47
3.465	3.465		0.276				
3.071	3.079		0.531		S	710528	35
78,00	78,20		7,00		N	710572	47
3.071	3.079		0.276				
75,00	75,20		8,00		T	710850 ⁵	32
2.953	2.961		0.315				
2.420" SHAFT							
3.000	3.005		0.382		S	4160	281
2.421" SHAFT							
2.998	3.006	3.445	0.276		N	710625	90
2.425" SHAFT							
3.425	3.435		0.276		S	710584	74
2.432" SHAFT							
3.070	3.075		0.227		N	4019N ⁶	47
2.433" SHAFT							
3.061	3.066		0.453		S	710755	32
2.437" (2-7/16") SHAFT							
			0.500			99242 Redi-Sleeve	
			0.781			99243 Redi-Sleeve	
3.624	3.628		0.375		S	3210 ¹	49
3.251	3.256		0.500		S	• 410322	41
3.371	3.376		0.468		S	• 410324	41
3.350	3.355		0.468		S	• 410374	41
3.125	3.130		0.500		S	• 410525	41
3.500	3.505		0.375		S	411245¹	41
3.350	3.355		0.375		S	411500¹	41
3.251	3.256		0.437		S	412040¹	41
3.251	3.256		0.375		S	• 413477	41
3.371	3.376		0.375		S	413478¹	41
3.500	3.505		0.500		N	• 415096N	41
3.500	3.505		0.500		S	• 415096	41
3.543	3.548		0.375		S	417073 ¹	41
3.481	3.486		0.500		S	450104 ¹	45
3.371	3.376		0.468		S	• 450324	45
3.125	3.130		0.500		S	• 450525	45
3.500	3.505		0.500		S	455096 ¹	45
3.500	3.505		0.500		V	• 455096V	45
3.251	3.256		0.500		S	• 470322	47
3.125	3.130		0.375		N	• 471887N	47

Hsg Bore	Seal		Width		Lip Mat'l	Part No.	Type/ Illus.
	Seal O.D.	Flanged O.D.	Seal Width	w/Side Lip			
2.437" (2-7/16") SHAFT (cont.)							
3.125	3.130		0.375		S	471887¹	47
3.500	3.505		0.500		S	• 475096	47
3.623	3.628		0.468		S	• 476272	47
3.125	3.130		0.375		H	• 481887H	48
2.441" SHAFT							
			0.500			99244 Redi-Sleeve	
85,00	85,13		8,00		S	226285 ¹	41
3.346	3.352		0.315				
3.346	3.352		0.315		S	• 414072	41
78,00	78,10		7,00		S	710213	281
3.071	3.075		0.276				
74,00	74,10	80,00	8,50		S	710392	90
2.913	2.917	3.150	0.335				
81,00	81,13	90,00	7,50		S	710635	#
3.189	3.194	3.543	0.295				
75,00	75,20		8,00		N	710801 ⁶	32
2.953	2.961		0.315				
74,00	74,20		7,50		N	710876 ⁵	32
2.913	2.921		0.295				
78,00	78,20		10,00		E	710906 ⁴	32
3.071	3.079		0.394				
80,00	80,28		10,00		S	711028	32
3.150	3.161		0.394				
2.474" SHAFT							
3.543	3.548		0.285		S	6575S	200
63,00mm (2.480") SHAFT							
90,00	90,10		7,00		S	1935	47
3.543	3.554		0.276				
3.310	3.316		0.500		F	6785	35
78,00	78,20		9,00		N	710576 ⁶	47
3.071	3.079		0.354				
4.035	4.043		0.486		V	710577	87
2.492" SHAFT							
			0.781			99249 Redi-Sleeve	
2.496" SHAFT							
3.245	3.248		0.485		S	5109	#
3.672	3.772		0.315		S	200851 ⁸	200E
2.500" (2-1/2") SHAFT							
			0.555			99253 Redi-Sleeve	
3.438	3.442		0.313		F	5M89	#
4.938	4.943		0.500		N	3136N ^{1,6}	47
3.499	3.505		0.500		V	3894V	48
3.226	3.231		0.190		S	3942 ^{1,7}	284
3.303	3.307		0.465		S	4250 ^{1,6}	74
4.035	4.040		0.419		V	4525V	72
4.500	6.125		0.400		S	7512SSO	51
3.500	3.505		0.500		H	7581H ⁷	48
3.130	3.135		0.315		T	39803 ⁵	FW-H
3.148	3.154		0.250		S	40337S	4S
3.000	3.005		0.250		L	40555	4L
3.000	3.005		0.250		S	40555S	4S

SIZE SECTION

¹Redicoat®; ⁴Counter-Clockwise-Spiral Lip Design; ⁵Clockwise-Spiral Lip Design; ⁶Bi-Directional Lip Design; ⁷Flanged O.D.; ⁸External Bore; ; • Non Stock Item - Special Order

Size Section

RADIAL SHAFT SEALS

SIZE SECTION

Seal							Seal								
Hsg Bore	Seal O.D.	Flanged O.D.	Seal Width	Width w/Side Lip	Lip Mat'l	Part No.	Type/Illus.	Hsg Bore	Seal O.D.	Flanged O.D.	Seal Width	Width w/Side Lip	Lip Mat'l	Part No.	Type/Illus.
2.500" (2-1/2") SHAFT (cont.)							2.500" (2-1/2") SHAFT (cont.)								
3.125	3.130		0.250		S	43290S	4S	3.189	3.194		0.375		S	472029¹	47
4.035	4.042		0.492		V	100727	74	3.428	3.433		0.375		S	473274 ¹	47
4.250	4.260		0.500		S	355732	35	3.428	3.433		0.375		N	473274N ¹	47
3.371	3.376		0.468		S	• 410330	41	3.150	3.155		0.315		N	473476 ^{1,5}	47
3.371	3.376		0.468		N	• 410330N	41	3.543	3.548		0.500		N	• 475001N	47
3.350	3.355		0.468		S	410496¹	41	3.751	3.756		0.500		S	• 475079	47
3.251	3.256		0.500		S	410519 ¹	41	3.876	3.881		0.468		S	• 475082	47
3.371	3.376		0.375		S	• 410605	41	3.500	3.505		0.500		S	• 475147	47
3.247	3.252		0.500		S	410752 ¹	41	3.500	3.505		0.500		N	• 475147N	47
3.251	3.256		0.375		S	• 411271	41	3.623	3.628		0.468		S	• 475369	47
3.250	3.256		0.437		N	• 411509N	41	3.623	3.628		0.468		N	• 475369N	47
3.543	3.548		0.500		S	415001¹	41	3.500	3.505		0.375		S	• 475449	47
3.543	3.548		0.500		N	415001N ¹	41	4.003	4.008		0.468		S	• 475655	47
3.751	3.756		0.500		S	• 415079	41	3.623	3.628		0.375		S	• 476273	47
3.876	3.881		0.468		S	415082¹	41	3.371	3.376		0.468		S	• 480330	48
3.876	3.881		0.468		N	415082N ¹	41	3.350	3.355		0.468		S	• 480496	48
3.500	3.505		0.500		S	415147 ¹	41	3.350	3.355		0.468		N	• 480496N	48
3.500	3.505		0.500		N	415147N ¹	41	3.251	3.256		0.500		S	• 480519	48
3.500	3.505		0.375		N	• 415345N	41	3.251	3.256		0.500		N	• 480519N	48
3.500	3.505		0.375		V	• 415345V	41	3.251	3.256		0.500		V	• 480519V	48
3.623	3.628		0.468		S	• 415369	41	3.371	3.376		0.375		S	• 480605	48
3.623	3.628		0.468		N	• 415369N	41	3.251	3.256		0.375		S	• 481271	48
3.500	3.505		0.375		S	415449¹	41	3.250	3.256		0.437		S	• 481509	48
3.500	3.505		0.375		V	415449V ¹	41	3.189	3.194		0.375		S	• 482029	48
3.500	3.505		0.375		N	• 415449N	41	3.543	3.548		0.500		S	• 485001	48
4.003	4.008		0.468		S	• 415655	41	3.751	3.756		0.500		S	• 485079	48
3.623	3.628		0.375		S	416273¹	41	3.876	3.881		0.468		S	• 485082	48
3.623	3.628		0.375		V	416273V ¹	47	3.500	3.505		0.500		S	• 485147	48
3.251	3.256		0.312		S	442380	44	3.623	3.628		0.468		S	• 485369	48
3.500	3.505		0.250		S	444042	44	3.500	3.505		0.375		S	• 485449	48
3.189	3.194		0.437		S	• 450323	45	4.003	4.008		0.468		S	• 485655	48
3.189	3.194		0.437		V	• 450323V	45	3.623	3.628		0.375		S	• 486273	48
3.371	3.376		0.468		S	• 450330	45	3.000	3.005		0.313		U	710027	#
3.251	3.256		0.500		S	450519 ¹	45	3.000	3.005		0.375		U	710034	#
3.251	3.256		0.500		N	• 450519N	45	3.500	3.504		0.450		N	714670 ^{1,4}	47
3.371	3.376		0.375		S	• 450605	45	2.503" SHAFT							
3.251	3.256		0.375		S	• 451271	45				0.500			99248 Redi-Sleeve	
3.250	3.256		0.437		S	• 451509	45				0.781			99250 Redi-Sleeve	
3.543	3.548		0.500		S	455001 ¹	45	3.428	3.439		0.709		V	4561V ⁴	#
3.751	3.756		0.500		S	455079¹	45	3.628	3.633	4.125	0.500		V	4624V ¹	86
3.751	3.756		0.500		V	• 455079V	45	2.507" SHAFT							
3.500	3.505		0.500		S	455147 ¹	45	3.265	3.273		0.354		V	710852	32
3.500	3.505		0.500		N	• 455147N	45	2.512" SHAFT							
4.003	4.008		0.468		S	455655¹	45				0.781			99251 Redi-Sleeve	
3.623	3.628		0.375		S	• 456273	45	3.506	3.510		0.290		S	8975S ¹	49
3.371	3.376		0.468		S	• 470330	47	64,00mm (2.520") SHAFT							
3.371	3.376		0.468		N	• 470330N	47	77,00	77,20		8,00		S	710130	56
3.350	3.355		0.468		S	• 470496	47	3.031	3.039		0.315		S		
3.251	3.256		0.500		S	• 470519	47	5.217	5.224		0.512		N	710277	32
3.251	3.256		0.500		S	• 470519N	47	79,00	79,20		8,00		N	710708 ⁶	32
3.371	3.376		0.375		S	470605¹	47	3.110	3.118		0.315				
3.251	3.256		0.375		S	471271¹	47	75,00	75,20		8,00		N	710774 ⁶	32
3.251	3.256		0.375		V	471271V ¹	47	2.953	2.961		0.315				
3.250	3.256		0.437		S	• 471509	47								
3.250	3.256		0.437		V	• 471509V	47								

Size Section

RADIAL SHAFT SEALS



Hsg Bore	Seal O.D.	Seal Flanged O.D.	Seal Width	Width w/Side Lip	Lip Mat'l	Part No.	Type/ Illus.
2.520" SHAFT (cont.)							
3.602	3.610		0.404		T	711004 ⁵	#
2.539" SHAFT							
3.504	3.512		0.374		V	710878 ⁵	40
2.556" SHAFT							
3.937	3.942		0.375		S	476514 ¹	47
3.143	3.146		0.315		V	710672 ⁴	32
2.559" SHAFT							
			0.787			99254	Redi-Sleeve
81,00	81,28		7,00		N	226510 ⁵	32
3.189	3.200		0.276				
85,00	85,27		10,00		S	226520	35
3.346	3.357		0.394				
90,00	90,28		10,00		S	226530	35
3.543	3.554		0.394				
82,00	82,20	95,00	7,00		S	710094	66
3.228	3.236	3.740	0.276				
85,00	85,10		10,00		S	710373	47
3.346	3.350		0.394				
88,00	88,20		10,00		T	710610 ⁴	32
3.465	3.472		0.394				
79,00	79,20		20,00		V	710785 ⁵	32
3.110	3.118		0.787				
80,00	80,20		8,00		S	710962	32
3.150	3.157		0.315				
84,00	84,30		9,00		H	712005 ⁵	32
3.307	3.319		0.354				
2.561" SHAFT							
3.976	3.979		0.531		S	710519	35
2.562" (2-9/16") SHAFT							
3.090	3.095		0.375		S	5123 ¹	280
3.727	3.777		0.490		S	9943 ⁸	#
3.481	3.486		0.375		S	413479¹	41
3.623	3.628		0.468		S	• 415002	41
3.500	3.505		0.500		S	• 415098	41
3.500	3.505		0.500		N	415098N	41
3.751	3.756		0.500		N	• 415244N	41
3.751	3.756		0.500		S	• 415244	41
3.500	3.505		0.375		S	415302¹	41
3.624	3.629		0.703		S	• 415972	41
3.623	3.628		0.375		S	415988¹	41
3.750	3.756		0.375		S	417481¹	41
3.481	3.486		0.500		S	• 450904	45
3.500	3.505		0.500		N	• 455098N	45
3.751	3.756		0.500		N	• 455244N	45
3.876	3.881		0.468		S	455280 ¹	45
3.543	3.548		0.500		S	455311 ¹	45
3.623	3.628		0.500		S	• 456619	45
3.371	3.376		0.468		S	• 470961	47
3.623	3.628		0.468		N	• 475002N	47
3.623	3.628		0.468		S	• 475002	47
3.500	3.505		0.500		S	• 475098	47
3.623	3.628		0.468		S	• 485002	48

Hsg Bore	Seal O.D.	Seal Flanged O.D.	Seal Width	Width w/Side Lip	Lip Mat'l	Part No.	Type/ Illus.
2.563" SHAFT (cont.)							
			0.781			99256	Redi-Sleeve
2.598" SHAFT							
			0.781			99259	Redi-Sleeve
80,00	80,11		9,00		N	226610	41
3.150	3.154		0.354				
3.481	3.486		0.500		S	411330 ¹	41
3.481	3.486		0.500		N	411330N ¹	41
4.000	4.005		0.500		S	477069 ¹	47
134,00	134,20		15,50		S	710055	32
5.276	5.283		0.610				
85,00	85,12		8,00		S	710092 ¹	41
3.346	3.351		0.315				
3.999	4.004	4.600	0.730		S	712598 ¹	47
2.609" SHAFT							
3.350	3.355		0.375		S	• 450725	45
3.350	3.355		0.375		N	• 450725N	45
2.621" SHAFT							
			0.781			99261	Redi-Sleeve
2.625" (2-5/8") SHAFT							
			0.500			99260	Redi-Sleeve
			0.781			99262	Redi-Sleeve
			0.781			99264	Redi-Sleeve
3.695	3.700		0.500		H	3813 ¹	64
4.564	4.568	4.987	0.718		N	9773 ¹	74
3.696	3.700		0.500		T	41163T ⁵	FW-H
3.620	3.626	3.978	0.394		S	127592	87
3.813	3.818		0.415		S	200392	200
3.371	3.376		0.468		N	• 410626N	41
3.371	3.376		0.468		S	• 410626	41
3.374	3.379		0.468		S	410708 ¹	41
3.251	3.256		0.437		N	411143N ¹	41
3.543	3.548		0.500		S	• 411475	41
3.543	3.548		0.500		N	• 411475N	41
3.350	3.355		0.375		S	412871¹	41
3.371	3.376		0.375		N	• 413248N	41
3.371	3.376		0.375		S	413248¹	41
3.371	3.376		0.375		V	• 413248V	41
3.623	3.628		0.468		N	• 415003N	41
3.623	3.628		0.468		V	• 415003V	41
3.623	3.628		0.468		S	415003 ¹	41
3.876	3.881		0.468		S	415007¹	41
3.751	3.756		0.500		S	• 415149	41
3.751	3.756		0.500		V	• 415149V	41
4.003	4.008		0.468		N	• 415296N	41
4.003	4.008		0.468		S	• 415296	41
3.500	3.505		0.500		N	• 415368N	41
3.500	3.505		0.500		S	• 415368	41
3.623	3.628		0.375		S	415458¹	41
3.623	3.628		0.375		V	415458V ¹	41
3.500	3.505		0.375		S	415483¹	41
4.249	4.254		0.468		S	416278 ¹	41

SIZE SECTION

¹Redicoat®; ⁴Counter-Clockwise-Spiral Lip Design; ⁵Clockwise-Spiral Lip Design; ⁸External Bore; ; • Non Stock Item - Special Order

Size Section

RADIAL SHAFT SEALS

SIZE SECTION

Hsg Bore	Seal O.D.	Seal Flanged O.D.	Seal Width	Width w/Side Lip	Lip Mat'l	Part No.	Type/ Illus.
2.625" (2-5/8") SHAFT (cont.)							
3.543	3.548		0.375		S	417079 ¹	41
4.003	4.008		0.375		S	417082 ¹	41
3.751	3.756		0.375		S	417343 ¹	41
3.876	3.881		0.437		S	417483	41
4.437	4.441		0.437		S	418027 ¹	41
3.350	3.356		0.468		S	450329 ¹	45
3.481	3.486		0.500		S	450412 ¹	45
3.251	3.256		0.437		S	451143 ¹	45
3.543	3.548		0.500		S	451475	45
3.351	3.356		0.500		S	452624	45
3.371	3.376		0.375		S	453248	45
3.623	3.628		0.468		N	455003N	45
3.623	3.628		0.468		S	455003 ¹	45
3.751	3.756		0.500		S	455149	45
4.003	4.008		0.468		S	455296	45
3.500	3.505		0.500		N	455368N	45
3.500	3.505		0.500		S	455368 ¹	45
3.623	3.628		0.375		S	455458	45
3.500	3.505		0.375		S	455483	45
3.623	3.629		0.500		S	455911	45
3.751	3.756		0.375		S	457343	45
3.543	3.548		0.500		S	471475	47
3.371	3.376		0.375		S	473248	47
3.623	3.628		0.468		N	475003N ¹	47
3.876	3.881		0.468		S	475007	47
3.751	3.756		0.500		S	475149	47
3.751	3.756		0.500		N	475149N	47
4.003	4.008		0.468		S	475296	47
3.500	3.505		0.500		N	475368N	47
3.500	3.505		0.500		S	475368	47
3.623	3.628		0.375		S	475458 ¹	47
3.623	3.628		0.375		V	475458V	47
3.500	3.505		0.375		S	475483	47
3.751	3.756		0.375		S	477343	47
4.376	4.381		0.500		V	477586V	47
3.350	3.356		0.468		S	480329	48
3.350	3.356		0.468		N	480329N	48
3.350	3.356		0.468		S	480329RCY	48
3.371	3.376		0.468		S	480626	48
3.543	3.548		0.500		S	481475	48
3.371	3.376		0.375		S	483248	48
3.876	3.881		0.468		S	485007	48
3.751	3.756		0.500		S	485149	48
4.003	4.008		0.468		S	485296	48
3.500	3.505		0.500		S	485368	48
3.623	3.628		0.375		S	485458	48
3.500	3.505		0.375		S	485483	48
4.003	4.008		0.375		S	487082	48
3.751	3.756		0.375		S	487343	48
4.064	4.069		0.960		N	712625 ¹	90
2.630" SHAFT							
3.240	3.245		0.215		S	5111S	#
2.634" SHAFT							
3.937	3.942		0.375		S	487658	48

Hsg Bore	Seal O.D.	Seal Flanged O.D.	Seal Width	Width w/Side Lip	Lip Mat'l	Part No.	Type/ Illus.
2.648" SHAFT (cont.)							
3.812	3.817		0.500		S	486857	48
2.667" SHAFT							
3.751	3.756		0.500		L	7780N	4L
2.677" SHAFT							
			0.750			99266 Redi-Sleeve	
84,00	84,23		8,50		N	710234 ⁴	32
3.307	3.316		0.335				
124,00	124,10		11,50		N	710275 ⁵	40
4.882	4.886		0.453				
86,00	86,20		8,00		N	710334 ⁴	32
3.386	3.394		0.315				
88,00	88,20		8,00		S	710446 ⁵	35
3.465	3.472		0.315				
89,00	89,20		11,00		V	712511 ⁵	32
3.504	3.512		0.433				
2.687" (2-11/16") SHAFT							
3.876	3.876		0.250		S	365008 ⁸	36
3.876	3.881		0.468		S	455008 ¹	45
3.751	3.756		0.500		S	455151 ¹	45
3.500	3.505		0.500		S	455434 ¹	45
3.751	3.756		0.500		S	485151	48
2.688" SHAFT							
3.500	3.504		0.219		F	5MR1008	#
2.700" SHAFT							
3.499	3.504	3.704	0.310		S	710091 ¹	272
69,00mm (2.717") SHAFT							
86,00	86,20	100,00	7,00		N	710570	62
3.386	3.394	3.934	0.276				
90,00	90,20		8,00		V	710742 ⁶	32
3.543	3.511		0.315				
2.743" SHAFT							
			0.781			99273 Redi-Sleeve	
2.748" SHAFT							
			0.781			99274 Redi-Sleeve	
			1.438			99267 Redi-Sleeve	
3.876	3.886		0.552		V	4564V ⁵	#
3.543	3.555		0.591		N	4874N ⁴	#
5.500	5.512		0.850		N	4876N ⁵	#
2.750" (2-3/4") SHAFT							
3.773	3.781	4.030	0.435		S	2222 ¹	286
5.501	5.506		1.266		N	3591 ¹	90
3.501	3.505		0.250		S	45827S	4S
3.751	3.756		0.250		S	46997S	4S
4.999	5.004		0.468		L	55238	5L
3.935	3.940		0.500		S	55469	5L
3.125	3.130		0.187		S	310841	31
3.779	3.792		0.767		S	370352A	11
3.751	3.756		0.500		N	415004N	41
3.751	3.756		0.500		V	415004V ¹	41

44 ¹Redicoat®; ⁴Counter-Clockwise-Spiral Lip Design; ⁵Clockwise-Spiral Lip Design; ⁶Bi-Directional Lip Design; ⁸External Bore; ; • Non Stock Item - Special Order

Size Section

RADIAL SHAFT SEALS



Hsg Bore	Seal O.D.	Seal Flanged O.D.	Seal Width	Width w/Side Lip	Lip Mat'l	Part No.	Type/ Illus.
2.750" (2-3/4") SHAFT (cont.)							
3.751	3.756		0.500		S	415004 ¹	41
3.876	3.881		0.468		S	415009 ¹	41
3.876	3.881		0.468		N	415009N¹	41
4.249	4.254		0.625		S	• 415101	41
4.003	4.008		0.468		N	415272N ¹	41
4.003	4.008		0.468		S	415272	41
3.623	3.628		0.468		N	• 415315N	41
3.623	3.628		0.468		S	• 415315	41
3.500	3.505		0.500		S	• 415364	41
3.751	3.756		0.437		S	• 415733	41
3.876	3.881		0.375		S	415960¹	41
3.623	3.628		0.375		S	415984¹	41
4.249	4.254		0.468		S	416282¹	41
4.249	4.254		0.500		S	• 416283	41
3.500	3.505		0.375		V	416664V ¹	41
3.500	3.505		0.375		S	416664¹	41
4.003	4.008		0.375		N	• 416706N	41
4.003	4.008		0.375		S	416706¹	41
4.331	4.336		0.500		N	• 416961N	41
4.331	4.336		0.500		S	• 416961	41
3.751	3.756		0.375		N	• 417316N	41
3.751	3.756		0.375		S	417316¹	41
3.543	3.548		0.375		S	417484 ¹	41
3.543	3.548		0.375		N	417484N¹	41
5.500	5.506		0.500		N	417986N ¹	41
4.500	4.505		0.468		S	454088 ¹	45
3.751	3.756		0.500		N	• 455004N	45
3.751	3.756		0.500		S	455004 ¹	45
3.876	3.881		0.468		N	• 455009N	45
3.876	3.881		0.468		S	455009 ¹	45
4.003	4.008		0.468		S	455272	45
3.623	3.628		0.468		V	• 455315V	45
3.623	3.628		0.468		N	• 455315N	45
3.543	3.548		0.500		N	455322N ¹	45
3.543	3.548		0.500		S	455322 ¹	45
3.543	3.548		0.500		V	455322V ¹	45
3.500	3.505		0.500		S	455364 ¹	45
3.500	3.505		0.500		N	• 455364N	45
3.876	3.882		0.500		S	• 455719	45
3.538	3.543		0.500		V	• 455872V	45
3.538	3.543		0.500		S	• 455872	45
3.876	3.881		0.375		S	• 455960	45
3.623	3.628		0.375		S	• 455984	45
4.125	4.130		0.562		N	• 456281N	45
4.249	4.254		0.468		S	• 456282	45
3.500	3.505		0.375		S	• 456664	45
3.623	3.628		0.500		S	• 456876	45
3.751	3.756		0.375		S	• 457316	45
3.751	3.756		0.500		N	• 475004N	47
3.751	3.756		0.500		S	• 475004	47
3.751	3.756		0.500		H	475004H	47
3.876	3.881		0.468		S	• 475009	47
3.876	3.881		0.468		N	475009N ¹	47
4.626	4.631		0.625		N	• 475139N	47
4.003	4.008		0.468		N	• 475272N	47

Hsg Bore	Seal O.D.	Seal Flanged O.D.	Seal Width	Width w/Side Lip	Lip Mat'l	Part No.	Type/ Illus.
2.750" (2-3/4") SHAFT (cont.)							
4.003	4.008		0.468		S	• 475272	47
3.623	3.628		0.468		S	• 475315	47
3.543	3.548		0.500		S	• 475322	47
3.543	3.548		0.500		N	475322N¹	47
3.500	3.505		0.500		S	• 475364	47
3.751	3.756		0.437		S	• 475733	47
3.623	3.628		0.375		N	• 475984N	47
3.623	3.628		0.375		S	• 475984	47
4.125	4.130		0.562		N	• 476281N	47
4.125	4.130		0.562		S	476281 ¹	47
4.249	4.254		0.468		S	• 476282	47
4.249	4.254		0.500		N	476283N ¹	47
4.249	4.254		0.500		S	• 476283	47
3.937	3.942		0.500		N	476574N ¹	47
3.500	3.505		0.375		S	• 476664	47
4.003	4.008		0.375		N	• 476706N	47
3.751	3.756		0.375		S	• 477316	47
3.481	3.486		0.500		S	480491 ¹	48
3.751	3.756		0.500		S	• 485004	48
3.876	3.881		0.468		S	• 485009	48
4.003	4.008		0.468		S	• 485272	48
3.623	3.628		0.468		S	• 485315	48
3.543	3.548		0.500		S	• 485322	48
3.500	3.505		0.500		S	• 485364	48
3.500	3.505		0.500		N	485364N ¹	48
3.876	3.881		0.375		S	• 485960	48
3.623	3.628		0.375		S	• 485984	48
4.125	4.130		0.562		V	• 486281V	48
4.125	4.130		0.562		N	• 486281N	48
3.500	3.505		0.375		S	• 486664	48
3.751	3.756		0.375		S	• 487316	48
4.375	4.380		0.625		N	• 487384N	48
4.125	4.130		0.437		N	• 487678RRR	48
3.250	3.255		0.312		U	710038	#
2.751" SHAFT							
3.751	3.756		0.375		V	417316V ¹	41
2.756" SHAFT							
			0.406			99272	Redi-Sleeve
			0.781			99275	Redi-Sleeve
			0.787			99276	Redi-Sleeve
			1.125			99269	Redi-Sleeve
<i>87,00</i>	<i>87,40</i>		<i>8,50</i>		V	1021V ⁴	32
3.425	3.441		0.335				
4.000	4.009		0.469		T	40392 ^{1,4}	FW-H
<i>88,00</i>	<i>88,25</i>		<i>12,00</i>		H	227020 ⁴	32
3.465	3.474		0.472				
<i>90,00</i>	<i>90,32</i>		<i>10,00</i>		N	227040 ^{1,4}	35
3.543	3.554		0.394				
<i>92,00</i>	<i>92,23</i>		<i>12,00</i>		H	227045 ^{1,4}	32
3.622	3.631		0.472				
<i>90,00</i>	<i>94,20</i>		<i>10,50</i>		S	710456	48
3.543	3.709		0.409				
<i>112,00</i>	<i>112,10</i>		<i>10,00</i>		S	710763	40
4.409	4.413		0.394				

SIZE SECTION

¹Redicoat®; ⁴Counter-Clockwise-Spiral Lip Design; ; • Non Stock Item - Special Order

Size Section

RADIAL SHAFT SEALS

SIZE SECTION

Hsg Bore	Seal O.D.	Seal Flanged O.D.	Seal Width	Width w/Side Lip	Lip Mat'l	Part No.	Type/ Illus.
2.812" (2-13/16") SHAFT (cont.)							
			0.594			99281	Redi-Sleeve
4.249	4.254		0.468		S	411348 ¹	41
3.876	3.881		0.437		S	417485 ¹	41
3.751	3.756		0.500		S	455005 ¹	45
3.751	3.756		0.500		N	•455005N	45
4.003	4.008		0.468		S	•455384	45
4.003	4.008		0.468		S	475384¹	47
71,00mm (2.815") SHAFT							
85,00	85,20		10,00		N	710554 ⁵	32
2.795	3.354		0.394				
2.832" SHAFT							
3.625	3.635		0.375		V	710075 ⁴	32
2.835" SHAFT							
			0.750			99284	Redi-Sleeve
88,00	88,25		8,00		S	1986	48
3.465	3.474		0.315				
96,00	96,28		9,00		V	227235 ⁴	32
3.780	3.791		0.354				
2.843" (2-27/32") SHAFT							
			0.500			99282	Redi-Sleeve
3.939	3.944		0.495		S	2081 ^{1,6}	41
4.501	4.506		0.375		S	•456111	45
4.003	4.008		0.500		V	456837V	45
2.854" SHAFT							
4.252	4.262		0.740		N	710563 ⁶	47
3.878	3.888	4.173	0.433		V	710564 ⁶	74
3.932	3.942		0.630		N	710568 ⁶	
2.856" SHAFT							
3.525	3.537		0.252		S	710573	62
2.869" SHAFT							
			0.781			99286	Redi-Sleeve
2.870" SHAFT							
3.876	3.881		0.354		V	710586 ⁶	56
2.874" SHAFT							
			0.781			99287	Redi-Sleeve
90,00	90,12		8,00		S	474230	47
3.543	3.548		0.315				
4.448	4.470		0.827		N	710493	#
4.448	4.470	0.827	1.163		N	710494	#
2.875" (2-7/8") SHAFT							
4.175	4.180		0.812		S	2674 ¹	89
3.623	3.628		0.500		H	3783 ¹	65
3.875	3.880	4.200	0.515		S	9864S ¹	57
3.623	3.628		0.500		T	39802 ⁵	FW-H
3.750	3.755		0.500		T	41536 ^{1,5}	PDW
3.750	3.755		0.500		T	41537 ^{1,4}	PDW
4.003	4.008		0.250		S	43086S	4S
4.125	4.130		0.842		S	370010A ¹	01

Hsg Bore	Seal O.D.	Seal Flanged O.D.	Seal Width	Width w/Side Lip	Lip Mat'l	Part No.	Type/ Illus.
2.875" (2-7/8") SHAFT (cont.)							
4.175	4.181		0.822		S	370054A ¹	03
3.875	3.885		0.700		S	370150A	07
3.875	3.880		0.414		S	370450A ¹	06
4.003	4.008		0.468		N	•415011N	41
4.003	4.008		0.468		S	•415011	41
4.499	4.504		0.468		S	•415144	41
4.125	4.130		0.562		S	•415152	41
3.623	3.628		0.375		S	415303¹	41
3.876	3.881		0.468		S	•415355	41
3.876	3.881		0.468		N	•415355N	41
3.623	3.628		0.468		N	•416275N	41
3.623	3.628		0.468		S	•416275	41
4.249	4.254		0.500		S	416285¹	41
4.249	4.254		0.625		S	•416286	41
4.331	4.336		0.500		N	•416426N	41
4.003	4.008		0.375		S	416921¹	41
4.125	4.130		0.375		S	417134¹	41
3.876	3.881		0.375		S	417158¹	41
3.751	3.756		0.375		S	417344¹	41
3.751	3.756		0.500		N	455006N ¹	45
3.751	3.756		0.500		S	455006 ¹	45
4.003	4.008		0.468		N	•455011N	45
4.003	4.008		0.468		V	•455011V	45
4.003	4.008		0.468		S	455011 ¹	45
4.499	4.504		0.468		S	455144¹	45
4.125	4.130		0.562		S	•455152	45
3.623	3.628		0.468		S	•455250	45
3.623	3.628		0.468		N	•455250N	45
3.623	3.628		0.375		S	•455303	45
4.335	4.340		0.437		S	455310	45
4.335	4.340		0.437		V	•455310V	45
3.876	3.881		0.468		S	455355 ¹	45
4.376	4.381		0.625		S	455556 ¹	45
4.249	4.254		0.625		S	•456286	45
4.003	4.008		0.500		S	•456886	45
4.003	4.008		0.375		S	•456921	45
4.125	4.130		0.375		S	•457134	45
3.876	3.881		0.375		S	•457158	45
3.751	3.756		0.375		S	•457344	45
3.751	3.756		0.500		S	•475006	47
3.751	3.756		0.500		N	•475006N	47
4.003	4.008		0.468		S	•475011	47
4.499	4.504		0.468		S	•475144	47
4.125	4.130		0.562		S	•475152	47
3.623	3.628		0.375		S	•475303	47
3.876	3.881		0.468		S	•475355	47
4.249	4.254		0.625		S	•476286	47
4.003	4.008		0.375		S	•476921	47
3.876	3.881		0.375		S	•477158	47
3.876	3.881		0.375		V	•477158V	47
3.751	3.756		0.375		S	•477344	47
3.751	3.756		0.375		V	•477344V	47
3.751	3.756		0.500		S	•485006	48
4.003	4.008		0.468		N	•485011N	48
4.003	4.008		0.468		S	•485011	48

46 ¹Redicoat®; ⁴Counter-Clockwise-Spiral Lip Design; ⁵Clockwise-Spiral Lip Design; ⁶Bi-Directional Lip Design; ; • Non Stock Item - Special Order

Size Section

RADIAL SHAFT SEALS



Hsg Bore	Seal		Width		Lip Mat'l	Part No.	Type/ Illus.
	Seal O.D.	Flanged O.D.	Seal Width	w/Side Lip			
2.875" (2-7/8") SHAFT (cont.)							
4.499	4.504		0.468		S	• 485144	48
4.125	4.130		0.562		S	• 485152	48
3.623	3.628		0.375		N	• 485303N	48
3.623	3.628		0.375		S	• 485303	48
3.876	3.881		0.468		S	• 485355	48
4.249	4.254		0.625		S	• 486286	48
4.003	4.008		0.375		S	• 486921	48
3.876	3.881		0.375		S	• 487158	48
3.751	3.756		0.375		S	• 487344	48
3.751	3.756		0.375		V	• 487344V	48
3.740	3.746		0.551		V	• 488020V	48
2.881" SHAFT							
4.492	4.504		1.440		N	710825 ¹⁵	#
2.882" SHAFT							
3.431	3.436		0.291		S	470547 ¹	47
2.913" SHAFT							
4.561	4.567	5.000	1.004		N	127591 ⁶	#
90,00	90,15		10,00		H	227409 ⁴	32
3.543	3.549		0.394				
156,00	156,10		14,00		S	710212	40
6.142	6.146		0.551				
2.937" (2-15/16") SHAFT							
3.812	3.816		0.313		F	5MR1009	#
3.937	3.942		0.500		N	35949N ¹	41
4.003	4.008		0.468		V	415012V ¹	41
4.003	4.008		0.468		S	• 415012	41
4.003	4.008		0.468		N	415012N ¹	41
3.876	3.881		0.468		N	• 415347N	41
3.876	3.881		0.468		S	• 415347	41
4.499	4.504		0.468		S	• 415356	41
4.499	4.504		0.468		N	• 415356N	41
4.499	4.504		0.468		V	• 415356V	41
3.937	3.942	0.500			S	416500 ¹	41
3.937	3.942	0.500			N	• 416500N	41
4.003	4.008	0.375			S	416654 ¹	41
4.250	4.254	0.468			S	416775 ¹	41
3.751	3.756	0.375			S	416956 ¹	41
3.876	3.881	0.375			V	417159V ¹	41
3.876	3.881	0.375			S	417159 ¹	41
4.125	4.130	0.375			S	417486 ¹	41
4.003	4.008	0.625			S	• 417730	41
4.003	4.008	0.468			N	• 455012N	45
4.003	4.008	0.468			V	• 455012V	45
4.003	4.008	0.468			S	455012 ¹	45
4.499	4.504	0.468			S	455356 ¹	45
3.937	3.942	0.500			S	• 456500	45
4.003	4.008	0.468			S	• 475012	47
4.003	4.008	0.468			N	475012N ¹	47
4.249	4.254	0.625			N	• 475348N	47
3.937	3.942	0.500			N	476500N ¹	47
3.937	3.942	0.500			S	• 476500	47
4.003	4.008	0.375			N	• 476654N	47

Hsg Bore	Seal		Width		Lip Mat'l	Part No.	Type/ Illus.
	Seal O.D.	Flanged O.D.	Seal Width	w/Side Lip			
4.939	4.944		1.250		N	712937 ¹	90
2.938" SHAFT							
			0.500			99290	Redi-Sleeve
			0.781			99293	Redi-Sleeve
3.937	3.947		0.552		V	4563V ⁵	#
2.948" SHAFT							
4.725	4.738		0.585		N	370211A ¹⁴	11
2.950" SHAFT							
4.528	4.533		0.375		S	• 476515	47
2.953" SHAFT							
			0.594			99289	Redi-Sleeve
			0.866			99294	Redi-Sleeve
93,00	93,12		8,00		T	39804 ⁵	FW-H
3.661	3.666		0.315				
120,00	120,12		8,13		S	200322	200
4.724	4.729		0.320				
95,00	95,28		10,00		S	227530	35
3.740	3.751		0.394				
100,00	100,20		12,00		S	227540	32
3.937	3.945		0.472				
100,00	100,27		13,00		H	227550 ⁴	32
3.937	3.948		0.472				
112,00	112,17		10,00		S	710087	45
4.409	4.416		0.394				
87,00	87,20		7,00		S	710240 ⁸	35
3.425	3.433		0.276				
100,00	100,10		13,00		S	710384	25
3.937	3.941		0.512				
95,00	95,20	10,00	10,50		V	710462	32
3.740	3.748	0.394	0.413				
98,00	98,20		10,00		V	710641	32
3.858	3.866		0.394				
107,00	107,20		8,00		V	710676 ⁴	32
4.213	4.220		0.315				
2.955" SHAFT							
3.875	3.882		0.488		S	370247A	#
2.988" SHAFT							
3.740	3.748		0.374		V	3698 ⁴	32
2.992" SHAFT							
			0.484			99291	Redi-Sleeve
			0.563			99298	Redi-Sleeve
			0.813			99299	Redi-Sleeve
93,00	93,27		9,00		H	1019 ⁴	32
3.661	3.672		0.354				
92,00	92,28		9,50		V	4307V ⁴	32
3.622	3.633		0.374				
94,00	94,31		8,50		V	710465 ⁴	32
3.701	3.713		0.335				
111,00	111,20		13,00		T	710601 ⁴	47
4.370	4.378		0.512				

SIZE SECTION

¹Redicoat®; ⁴Counter-Clockwise-Spiral Lip Design; ⁵Clockwise-Spiral Lip Design; ⁶Bi-Directional Lip Design; ⁸External Bore; ¹⁴Spindle Mount; ¹⁵Hand Installable Design; ; • Non Stock Item - 47 Special Order

Size Section

RADIAL SHAFT SEALS

SIZE SECTION

2.992" SHAFT (cont.)								3.000" (3-3/32") SHAFT (cont.)							
Hsg Bore	Seal O.D.	Seal Flanged O.D.	Seal Width	Width w/Side Lip	Lip Mat'l	Part No.	Type/ Illus.	Hsg Bore	Seal O.D.	Seal Flanged O.D.	Seal Width	Width w/Side Lip	Lip Mat'l	Part No.	Type/ Illus.
3.685	3.693	3.875	0.343		S	710828	#	4.249	4.254		0.468		N	• 455086N	45
108,00	108,30		8,00		V	710936 ⁴	32	4.499	4.504		0.468		S	455088	45
4.252	4.264		0.315					4.499	4.504		0.468		V	455088V ¹	45
3.000" (3-3/32") SHAFT								4.499	4.504		0.468		N	• 455088N	45
			0.625			99303	Redi-Sleeve	4.125	4.130		0.562		S	455154	45
			0.813			99296	Redi-Sleeve	3.751	3.756		0.500		N	• 455281N	45
			0.813			99300	Redi-Sleeve	3.751	3.756		0.500		V	• 455281V	45
5.500	5.506	6.000	0.531		N	3143N ¹	74	3.876	3.881		0.468		S	455479	45
5.501	5.506		1.266		N	3592 ¹	90	3.876	3.881		0.468		V	455479V	45
4.938	4.943	5.690	0.303		N	3905 ¹	76	3.936	3.941		0.500		S	455509	45
4.003	4.008		0.250		S	45013S	4S	3.876	3.881		0.500		N	• 455526N	45
4.626	4.631		0.500		L	55548	5L	4.875	4.881		0.625		S	455820 ¹	45
4.524	4.600		0.433		S	200133 ⁸	200E	4.003	4.008		0.437		S	• 455836	45
4.003	4.008		0.468		S	415013 ¹	41	4.003	4.008		0.375		N	455995N ¹	45
4.003	4.008		0.468		N	415013N¹	41	4.249	4.254		0.500		S	• 456026	45
4.003	4.008		0.468		V	• 415013V	41	4.249	4.254		0.500		V	• 456026V	45
4.249	4.254		0.625		S	• 415014	41	4.751	4.756		0.625		S	• 456370	45
4.249	4.254		0.625		N	• 415014N	41	4.501	4.506		0.468		S	• 457163	45
4.999	5.004		0.468		S	• 415019	41	4.750	4.756		0.500		S	• 457165	45
4.249	4.254		0.468		N	415086N¹	41	3.751	3.756		0.437		S	• 457349	45
4.249	4.254		0.468		S	• 415086	41	3.876	3.881		0.437		S	• 457350	45
4.249	4.254		0.468		V	• 415086V	41	4.125	4.130		0.437		S	• 457351	45
4.499	4.504		0.468		S	415088¹	41	4.003	4.008		0.468		S	• 475013	47
4.499	4.504		0.468		N	• 415088N	41	4.003	4.008		0.468		N	• 475013N	47
4.125	4.130		0.562		S	• 415154	41	4.249	4.254		0.625		S	• 475014	47
4.376	4.381		0.625		S	• 415158	41	4.999	5.004		0.468		S	• 475019	47
4.376	4.381		0.625		N	• 415158N	41	4.249	4.254		0.468		N	• 475086N	47
3.751	3.756		0.500		N	415281N ¹	41	4.499	4.504		0.468		S	• 475088	47
3.751	3.756		0.500		V	• 415281V	41	4.499	4.504		0.468		N	• 475088N	47
3.876	3.881		0.468		S	• 415479	41	4.125	4.130		0.562		S	• 475154	47
3.876	3.881		0.468		N	• 415479N	41	3.751	3.756		0.500		S	• 475281	47
3.876	3.881		0.500		N	• 415526N	41	3.751	3.756		0.500		N	• 475281N	47
4.003	4.008		0.437		S	415836 ¹	41	3.876	3.881		0.468		S	• 475479	47
4.003	4.008		0.437		N	415836N ¹	41	3.876	3.881		0.468		N	• 475479N	47
4.003	4.008		0.437		V	415836V ¹	41	4.003	4.008		0.437		S	• 475836	47
4.331	4.336		0.500		S	415962 ¹	41	4.003	4.008		0.437		V	• 475836V	47
4.003	4.008		0.375		S	415995¹	41	3.751	3.756		0.375		N	476023N ¹	47
4.003	4.008		0.375		V	415995V ¹	41	3.751	3.756		0.375		V	• 476023V	47
4.003	4.008		0.375		N	• 415995N	41	4.751	4.756		0.625		S	• 476370	47
4.249	4.254		0.500		S	• 416026	41	4.501	4.506		0.468		N	477163N ¹	47
4.751	4.756		0.625		S	416370¹	41	3.751	3.756		0.437		S	• 477349	47
3.751	3.756		0.437		S	417349¹	41	3.876	3.881		0.437		S	• 477350	47
3.751	3.756		0.437		V	417349V ¹	41	4.125	4.130		0.437		S	• 477351	47
3.876	3.881		0.437		S	417350¹	41	4.003	4.008		0.468		S	• 485013	48
4.125	4.130		0.437		S	417351¹	41	4.249	4.254		0.625		S	• 485014	48
4.249	4.254		0.437		S	417487¹	41	4.999	5.004		0.468		S	• 485019	48
4.376	4.381		0.500		S	417488¹	41	4.499	4.504		0.468		S	• 485088	48
3.999	4.004		0.437		S	453182	45	4.125	4.130		0.562		S	• 485154	48
4.003	4.008		0.468		S	455013 ¹	45	3.751	3.756		0.500		S	• 485281	48
4.003	4.008		0.468		N	• 455013N	45	3.876	3.881		0.468		S	• 485479	48
4.003	4.008		0.468		V	• 455013V	45	4.003	4.008		0.437		S	• 485836	48
4.249	4.254		0.625		S	455014 ¹	45	3.751	3.756		0.375		S	• 486023	48
4.999	5.004		0.468		S	455019¹	45	3.751	3.756		0.375		N	• 486023N	48
4.249	4.254		0.468		S	455086 ¹	45	4.751	4.756		0.625		S	• 486370	48
								4.125	4.130		0.438		S	• 487119	48

Size Section

RADIAL SHAFT SEALS



Hsg Bore	Seal O.D.	Flanged O.D.	Seal Width	Width w/Side Lip	Lip Mat'l	Part No.	Type/ Illus.
3.000" (3-3/32") SHAFT (cont.)							
4.500	4.506		0.500		S	• 487162	48
3.751	3.756		0.437		S	• 487349	48
3.876	3.881		0.437		S	• 487350	48
4.125	4.130		0.437		S	• 487351	48
5.751	5.756	6.250	0.840		N	710008 ¹	74
3.500	3.505		0.313		U	710028	#
4.003	4.008		0.312		V	710457	86
5.750	5.764		0.413		N	712000	74
3.003" SHAFT							
4.937	4.948		0.788		V	100263 ¹⁶	08
3.751	3.761		0.420		V	100495 ¹⁶	08
77,00mm (3.031") SHAFT							
91,00	91,20		6,00		N	710177	87
3.583	3.591		0.236				
3.040" SHAFT							
3.937	3.946		0.250		S	355669	35
3.062" SHAFT							
4.249	4.254		0.625		S	455015 ¹	45
4.999	5.004		0.468		S	455020 ¹	45
4.125	4.130		0.562		S	• 455155	45
4.331	4.336		0.500		S	• 456733	45
4.003	4.008		0.468		S	• 486893	48
3.071" SHAFT							
	0.750					99306 Redi-Sleeve	
3.125" (3-1/8") SHAFT							
			0.551			99307 Redi-Sleeve	
			0.688			99311 Redi-Sleeve	
			0.813			99312 Redi-Sleeve	
3.936	3.943		0.512		V	2260	45
4.125	4.130		0.500		H	2291 ¹	41
4.562	4.567		1.198		L	5751	34
7.000	8.250		1.003		S	6481S ¹	51
8.250	8.257		0.571		S	6649	52
4.173	4.179		0.290		S	8976S	49
5.985	6.000		0.955		S	9600S ¹	#
4.125	4.130		0.437		T	39809 ⁵	W-H
3.751	3.756		0.250		S	45825S	4S
4.500	4.506		0.605		S	370014A ¹	06
4.625	4.631		0.605		S	370046A ¹	06
4.174	4.184		0.500		S	370145A	07
4.249	4.254		0.625		N	415016N ¹	41
4.249	4.254		0.625		S	• 415016	41
4.999	5.004		0.468		S	415021¹	41
4.499	4.504		0.468		S	• 415145	41
4.499	4.504		0.468		N	• 415145N	41
4.499	4.504		0.468		V	• 415145V	41
4.125	4.130		0.562		S	• 415156	41
4.125	4.130		0.562		N	415156N ¹	41
4.376	4.381		0.625		S	• 415160	41
4.751	4.756		0.625		N	• 415245N	41

Hsg Bore	Seal O.D.	Flanged O.D.	Seal Width	Width w/Side Lip	Lip Mat'l	Part No.	Type/ Illus.
3.125" (3-1/8") SHAFT (cont.)							
4.751	4.756		0.625		S	• 415245	41
5.251	5.256		0.468		S	415394¹	41
4.125	4.130		0.500		V	• 416011V	41
4.125	4.130		0.500		S	416011¹	41
4.751	4.756		0.500		S	416024¹	41
4.249	4.254		0.468		N	• 416287N	41
4.249	4.254		0.468		V	• 416287V	41
4.249	4.254		0.468		S	• 416287	41
4.249	4.254		0.500		S	416288¹	41
4.376	4.381		0.562		S	• 416289	41
4.626	4.631		0.437		S	416297¹	41
4.003	4.008		0.375		V	• 416404V	41
4.003	4.008		0.375		S	416404¹	41
4.375	4.381		0.500		S	417171¹	41
4.500	4.506		0.500		S	417172¹	41
4.125	4.130		0.375		S	417621¹	41
4.999	5.004		0.468		S	• 455021	45
4.125	4.130		0.562		N	• 455156N	45
4.125	4.130		0.562		V	• 455156V	45
4.376	4.381		0.625		S	• 455160	45
4.751	4.756		0.625		S	• 455245	45
4.003	4.008		0.468		N	• 455354N	45
5.251	5.256		0.468		S	• 455394	45
4.125	4.130		0.500		V	• 456011V	45
4.125	4.130		0.500		S	• 456011	45
4.249	4.254		0.468		S	• 456287	45
4.249	4.254		0.500		S	• 456288	45
4.375	4.381		0.562		N	• 456289N	45
4.376	4.381		0.562		S	• 456289	45
4.999	5.004		0.500		S	• 456301	45
3.937	3.942		0.500		S	• 456909	45
4.375	4.381		0.500		S	• 457171	45
4.500	4.506		0.500		S	• 457172	45
4.625	4.631		0.500		S	• 457173	45
4.249	4.254		0.625		S	• 475016	47
4.999	5.004		0.468		S	• 475021	47
4.499	4.504		0.468		S	• 475145	47
4.125	4.130		0.562		S	• 475156	47
4.125	4.130		0.562		N	• 475156N	47
4.751	4.756		0.625		S	• 475245	47
4.003	4.008		0.468		S	• 475354	47
5.251	5.256		0.468		S	• 475394	47
3.876	3.881		0.468		S	• 475568	47
4.125	4.130		0.500		S	• 476011	47
4.125	4.130		0.500		V	• 476011V	47
4.249	4.254		0.500		S	• 476288	47
4.626	4.631		0.437		S	• 476297	47
4.003	4.008		0.375		S	• 476404	47
4.003	4.008		0.375		N	• 476404N	47
4.375	4.381		0.500		S	• 477171	47
4.500	4.506		0.500		S	• 477172	47
4.249	4.254		0.625		S	• 485016	48
4.999	5.004		0.468		S	• 485021	48
4.499	4.504		0.468		S	• 485145	48
4.125	4.130		0.562		S	• 485156	48

SIZE SECTION

¹Redicoat®; ⁵Clockwise-Spiral Lip Design; ¹⁶Sure-Lock® I.D. rib design; ; • Non Stock Item - Special Order

Size Section

RADIAL SHAFT SEALS

SIZE SECTION

Hsg Bore	Seal O.D.	Seal Flanged O.D.	Seal Width	Width w/Side Lip	Lip Mat'l	Part No.	Type/ Illus.
3.125" (3-1/8") SHAFT (cont.)							
4.376	4.381		0.625		S	• 485160	48
4.751	4.756		0.625		S	• 485245	48
4.003	4.008		0.468		S	• 485354	48
5.251	5.256		0.468		S	• 485394	48
4.125	4.130		0.500		S	• 486011	48
4.249	4.254		0.468		S	• 486287	48
4.249	4.254		0.500		S	• 486288	48
4.003	4.008		0.500		V	• 487034V	48
4.375	4.381		0.500		S	• 487171	48
4.500	4.506		0.500		S	• 487172	48
4.003	4.008		0.500		V	714470 ¹	48
3.133" SHAFT							
3.547	3.551	3.805	0.366		S	710106	278
3.142" SHAFT							
3.733	3.736	4.063	0.565		S	710103	278
3.150" SHAFT							
			0.433			99317 Redi-Sleeve	
			0.750			99313 Redi-Sleeve	
			0.827			99315 Redi-Sleeve	
96,00	96,28		9,00		V	228005 ⁴	32
3.780	3.791		0.354				
98,00	98,40		10,00		V	228008 ⁴	32
3.858	3.874		0.394				
100,00	100,23		10,00		H	228009 ⁴	32
3.937	3.946		0.394				
100,00	100,35		13,00		N	228010 ⁴	32
3.937	3.951		0.512				
100,00	100,28		8,51		H	228013	32
3.937	3.948		0.335				
100,00	100,20		10,00		H	228015 ⁵	32
3.937	3.945		0.394				
105,00	105,27		14,00		H	228020 ⁴	32
4.134	4.144		0.551				
105,00	105,26		13,00		S	228025	32
4.134	4.144		0.512				
113,00	113,18		12,00		S	710080	90
4.449	4.456		0.472				
101,00	101,30	106,00	9,00		N	710434	74
3.976	3.988	4.173	0.354				
98,00	98,20		8,00		V	710614 ⁴	32
3.858	3.866		0.315				
98,00	98,20		14,70		T	710811 ¹⁷	34
3.858	3.866		0.579				
3.164" SHAFT							
4.249	4.254		0.625		S	• 455734	45
4.999	5.004		0.468		S	456799 ¹	45
4.999	5.004		0.468		S	• 456799SGR	45
3.180" SHAFT							
4.180	4.185		0.750		S	3385 ^{1,6}	74
3.187" (3-3/16") SHAFT							
4.625	4.630		0.442		S	6358 ^{1,6}	47

Hsg Bore	Seal O.D.	Seal Flanged O.D.	Seal Width	Width w/Side Lip	Lip Mat'l	Part No.	Type/ Illus.
3.187" (3-3/16") SHAFT (cont.)							
5.000	5.006		0.765		S	370029A ¹	03
4.376	4.381		0.500		S	417490¹	41
4.999	5.004		0.468		S	455022 ¹	45
4.376	4.381		0.625		S	• 455161	45
4.499	4.504		0.468		S	455336 ¹	45
4.249	4.254		0.468		S	456105 ¹	45
3.189" SHAFT							
3.801	3.809		0.630		S	710477	281
3.197" SHAFT							
3.516	3.520		0.063		S	710293	32
3.228" SHAFT							
			0.661			99328 Redi-Sleeve	
3.789	3.800		0.394		V	40375 ⁴	32
105,00	105,28		12,00		H	228480 ⁴	74
4.134	4.145		0.462				
3.918	3.928		0.500		V	320691 ⁴	32
3.790	3.798		0.354		T	710602 ⁴	32
3.249" SHAFT							
4.468	4.488		0.318		S	200870 ⁸	200E
3.250" (3-1/4") SHAFT							
			0.813			99322 Redi-Sleeve	
4.063	4.067		0.313		F	5M643	#
4.500	4.507	5.000	0.718		S	6584S	74
4.500	4.600		0.315		S	7208S ⁸	200E
4.003	4.008		0.468		T	55563 ⁵	5S
4.500	4.506		0.605		S	370018A ¹	06
4.249	4.254		0.468		V	411275V ¹	41
4.249	4.254		0.468		N	• 411275N	41
4.249	4.254		0.625		S	• 415018	41
4.249	4.254		0.625		N	• 415018N	41
4.999	5.004		0.468		S	415023¹	41
4.499	4.504		0.468		S	415137 ¹	41
4.376	4.381		0.625		S	• 415162	41
4.751	4.756		0.625		S	• 415265	41
4.751	4.756		0.625		N	• 415265N	41
4.249	4.254		0.500		N	• 415304N	41
4.249	4.254		0.500		V	• 415304V	41
4.249	4.254		0.500		S	415304 ¹	41
5.251	5.256		0.468		S	• 415328	41
4.003	4.008		0.468		S	415563 ¹	41
4.003	4.008		0.468		N	• 415563N	41
4.125	4.130		0.562		N	• 415566N	41
4.125	4.130		0.562		S	• 415566	41
4.125	4.130		0.562		V	• 415566V	41
4.723	4.729		0.468		S	415577¹	41
4.723	4.729		0.468		N	• 415577N	41
4.376	4.381		0.562		S	• 416290	41
4.626	4.631		0.625		S	• 416304	41
4.999	5.004		0.500		S	• 416309	41
4.249	4.254		0.375		N	416470N ¹	41
4.376	4.381		0.500		S	417181¹	41

50 ¹Redicoat®; ⁴Counter-Clockwise-Spiral Lip Design; ⁵Clockwise-Spiral Lip Design; ⁶Bi-Directional Lip Design; ⁸External Bore; ¹⁷Crankshaft position sensor port on seal; ; • Non Stock Item - Special Order

Size Section

RADIAL SHAFT SEALS



Hsg Bore	Seal		Width		Lip Mat'l	Part No.	Type/ Illus.
	Seal O.D.	Flanged O.D.	Seal Width	w/Side Lip			
3.250" (3-1/4") SHAFT (cont.)							
4.500	4.506		0.500		S	417352 ¹	41
4.626	4.632		0.500		S	417353 ¹	41
4.003	4.008		0.375		S	417433 ¹	41
5.500	5.506		0.500		N	417987N ¹	41
4.500	4.506		0.375		S	418028 ¹	41
4.249	4.254		0.468		N	• 451275N	45
4.249	4.254		0.468		S	• 451275	45
4.249	4.254		0.625		S	455018 ¹	45
4.499	4.504		0.468		S	455137	45
4.499	4.504		0.468		V	• 455137V	45
4.376	4.381		0.625		N	• 455162N	45
4.376	4.381		0.625		S	• 455162	45
4.751	4.756		0.625		S	• 455265	45
4.249	4.254		0.500		N	• 455304N	45
4.249	4.254		0.500		S	• 455304	45
4.249	4.254		0.500		V	• 455304V	45
5.251	5.256		0.468		S	455328 ¹	45
4.125	4.130		0.562		N	• 455566N	45
4.125	4.130		0.562		S	455566 ¹	45
4.125	4.130		0.562		V	• 455566V	45
4.723	4.729		0.468		S	• 455577	45
4.376	4.381		0.562		V	• 456290V	45
4.376	4.381		0.562		S	• 456290	45
4.751	4.756		0.484		S	456305 ¹	45
4.751	4.756		0.500		S	• 456306	45
4.376	4.381		0.500		S	• 457181	45
4.500	4.506		0.500		S	• 457352	45
4.626	4.632		0.500		S	• 457353	45
4.249	4.254		0.625		S	• 475018	47
4.999	5.004		0.468		S	• 475023	47
4.499	4.504		0.468		S	• 475137	47
4.499	4.504		0.468		N	• 475137N	47
4.751	4.756		0.625		S	• 475265	47
4.249	4.254		0.500		V	• 475304V	47
4.249	4.254		0.500		S	• 475304	47
5.251	5.256		0.468		S	• 475328	47
4.003	4.008		0.468		S	• 475563	47
4.125	4.130		0.562		S	• 475566	47
4.626	4.631		0.437		S	• 476303	47
4.249	4.254		0.375		V	476470V ¹	47
4.249	4.254		0.375		S	476470 ¹	47
4.249	4.254		0.375		N	• 476470N	47
4.376	4.381		0.500		S	• 477181	47
4.500	4.506		0.500		S	• 477352	47
4.626	4.632		0.500		S	• 477353	47
4.249	4.254		0.625		S	• 485018	48
4.999	5.004		0.468		S	• 485023	48
4.499	4.504		0.468		S	• 485137	48
4.376	4.381		0.625		S	• 485162	48
4.751	4.756		0.625		S	• 485265	48
4.249	4.254		0.500		S	• 485304	48
5.251	5.256		0.468		S	• 485328	48
4.125	4.130		0.562		S	• 485566	48
4.626	4.631		0.437		S	• 486303	48
6.374	6.380		0.468		S	• 487056	48

Hsg Bore	Seal		Width		Lip Mat'l	Part No.	Type/ Illus.
	Seal O.D.	Flanged O.D.	Seal Width	w/Side Lip			
3.250" (3-1/4") SHAFT (cont.)							
4.376	4.381		0.500		S	• 487181	48
4.500	4.506		0.500		S	• 487352	48
4.626	4.632		0.500		S	• 487353	48
4.249	4.254		0.750		V	• 600309	#
3.879	3.881		0.375		V	710180 ⁵	48
3.252" SHAFT							
			0.595			99324	Redi-Sleeve
3.253" SHAFT							
			0.600			99323	Redi-Sleeve
			0.688			99326	Redi-Sleeve
			0.813			99325	Redi-Sleeve
4.249	4.260		0.635		V	100494 ¹⁶	08
5.500	5.511		0.635		V	100557 ¹⁶	08
83,00mm (3.268") SHAFT							
100,00	100,20		9,00		V	228250 ⁴	32
3.937	3.945		0.354				
100,00	100,20	110,00	8,00		N	710626	#
3.937	3.945	4.331	0.315				
96,00	96,30		9,00		V	710881 ⁴	32
3.780	3.791		0.354				
3.298" SHAFT							
4.125	4.130		0.562		S	455500 ¹	45
4.125	4.130		0.562		S	475500 ¹	47
4.125	4.130		0.562		N	• 485500N	48
3.307" SHAFT							
			0.813			99331	Redi-Sleeve
104,00	104,28		11,00		V	228410 ⁴	32
4.094	4.106		0.433				
104,00	104,11		8,50		V	228411 ⁴	32
4.094	4.099		0.335				
118,00	118,10		7,00		V	710363 ⁴	32
4.646	4.650		0.276				
117,00	117,20		8,50		V	710621 ⁴	32
4.606	4.614		0.335				
3.312" (3-5/16") SHAFT							
5.000	5.006		0.937		S	370013A ¹	03
4.499	4.504		0.468		S	415085 ¹	41
4.249	4.254		0.500		S	416292 ¹	41
4.751	4.756		0.500		S	416313 ¹	41
4.376	4.381		0.500		S	417491 ¹	41
4.999	5.004		0.468		S	455024 ¹	45
4.499	4.504		0.468		V	• 455085V	45
4.499	4.504		0.468		S	• 455085	45
4.376	4.381		0.625		S	• 455163	45
5.501	5.506		0.562		S	• 455612	45
5.501	5.506		0.562		N	• 455612N	45
4.501	4.506		0.468		S	456648 ¹	45
5.125	5.131		0.500		S	• 457961	45
4.499	4.504		0.468		S	• 475085	47
3.330" SHAFT							
4.125	4.130		0.562		S	477055 ¹	47

SIZE SECTION

¹Redicoat®; ⁴Counter-Clockwise-Spiral Lip Design; ⁵Clockwise-Spiral Lip Design; ¹⁶Sure-Lock® I.D. rib design; ; • Non Stock Item - Special Order

Size Section

RADIAL SHAFT SEALS

SIZE SECTION

Hsg Bore		Seal O.D.	Seal Flanged O.D.	Seal Width	Width w/Side Lip	Lip Mat'l	Part No.	Type/ Illus.	Hsg Bore		Seal O.D.	Seal Flanged O.D.	Seal Width	Width w/Side Lip	Lip Mat'l	Part No.	Type/ Illus.
3.342" SHAFT (cont.)									3.375" (3-3/8") SHAFT (cont.)								
				0.669			99332	Redi-Sleeve	4.626	4.632			0.500		S	417354¹	41
3.346" SHAFT									4.376	4.381			0.562		N	• 451414N	45
				0.827			99333	Redi-Sleeve	4.376	4.381			0.562		S	• 451414	45
				1.062			99334	Redi-Sleeve	4.376	4.381			0.625		S	• 455164	45
110,00	110,28			12,00		S	228520	35	4.376	4.381			0.625		N	• 455164N	45
4.331	4.342			0.472					4.499	4.504			0.468		S	455165	45
5.118	5.124			0.500		S	• 476516	47	4.499	4.504			0.468		V	• 455165V	45
128,00	128,27			11,00		S	710088	90	4.626	4.631			0.625		S	• 455168	45
5.039	5.050			0.433					4.626	4.631			0.625		N	• 455168N	45
112,00	112,20			5,00		N	710330	44	4.688	4.693			0.500		S	455249 ¹	45
4.409	4.417			0.197					4.249	4.254			0.625		S	• 455613	45
131,00	131,40	153,00		16,00		T	710617 ⁴	32	4.376	4.381			0.500		S	• 455894	45
5.157	5.173	6.024		0.630					4.376	4.381			0.500		N	• 455894N	45
131,00	131,40			15,70		V	710759 ⁵	32	4.249	4.254			0.500		S	• 456294	45
5.157	5.173			0.618					4.249	4.254			0.500		N	• 456294N	45
105,00	105,28			8,80		T	710761 ⁴	32	4.751	4.756			0.625		S	• 456323	45
4.134	4.145			0.346					4.999	5.004			0.500		S	• 456325	45
105,00	105,28			10,00		V	710765 ⁴	32	5.251	5.256			0.468		S	• 456327	45
4.134	4.145			0.394					4.500	4.506			0.500		S	• 457191	45
103,00	103,23			8,00		V	710767 ⁴	32	4.626	4.632			0.500		S	• 457354	45
4.055	4.064			0.315					4.376	4.381			0.375		S	472473 ¹	47
101,00	101,07			13,00		T	710848	32	4.999	5.004			0.468		S	• 475025	47
3.976	3.979			0.512					4.499	4.504			0.468		S	• 475165	47
105,00	105,20			8,00		T	710849 ⁴	32	4.249	4.254			0.625		S	• 475613	47
4.134	4.142			0.315					4.376	4.381			0.500		S	• 475894	47
119,00	119,30			8,00		V	710879 ⁴	32	4.249	4.254			0.468		S	476028 ¹	47
4.685	4.697			0.315					4.249	4.254			0.468		N	• 476028N	47
175,00	175,30			9,50		V	710882	32	4.249	4.254			0.500		S	• 476294	47
6.890	6.902			0.374					4.626	4.631			0.437		S	• 476319	47
105,00	105,28			11,00		T	711007 ⁴	32	4.751	4.756			0.625		S	• 476323	47
4.133	4.145			0.433					5.251	5.256			0.468		S	• 476327	47
105,00	105,28			11,00		S	716102 ⁴	32	4.500	4.506			0.500		S	• 477191	47
4.134	4.145			0.433					4.626	4.632			0.500		S	• 477354	47
3.375" (3-3/8") SHAFT									4.376	4.381			0.562		S	• 481414	48
				0.813			99337	Redi-Sleeve	4.999	5.004			0.468		S	• 485025	48
3.948	3.955			0.375		N	5128N	32	4.499	4.504			0.468		S	• 485165	48
4.376	4.381			0.562		N	• 411414N	41	4.249	4.254			0.625		S	• 485613	48
4.376	4.381			0.562		S	• 411414	41	4.376	4.381			0.500		S	• 485894	48
4.376	4.381			0.375		S	412473¹	41	4.280	4.285			0.406		N	• 485996N	48
4.999	5.004			0.468		S	415025¹	41	4.249	4.254			0.500		S	• 486294	48
4.376	4.381			0.625		S	• 415164	41	4.626	4.631			0.437		S	• 486319	48
4.376	4.381			0.625		N	415164N ¹	41	4.626	4.631			0.437		V	• 486319V	48
4.499	4.504			0.468		S	• 415165	41	4.751	4.756			0.625		S	• 486323	48
4.125	4.130			0.375		S	415442 ¹	41	5.251	5.256			0.468		S	• 486327	48
4.249	4.254			0.625		S	• 415613	41	4.370	4.375			0.250		S	486567	48
4.376	4.381			0.500		S	415894¹	41	4.500	4.506			0.500		S	• 487191	48
4.249	4.254			0.500		N	• 416294N	41	4.250	4.255			0.280		S	• 487319	48
4.249	4.254			0.500		S	416294¹	41	4.626	4.632			0.500		S	• 487354	48
4.249	4.254			0.500		V	416294V ¹	41	3.948	3.955			0.375		S	710077	32
4.751	4.756			0.500		S	416321 ¹	41	86,00mm (3.386") SHAFT								
4.751	4.756			0.625		S	• 416323	41	104,00	104,23			11,00		V	710232 ⁴	32
5.251	5.256			0.468		S	416327 ¹	41	4.094	4.104			0.433				
4.500	4.506			0.500		V	• 417191V	41	103,00	103,23			10,00		H	710235 ⁴	32
4.500	4.506			0.500		S	417191¹	41	4.055	4.064			0.394				

Size Section

RADIAL SHAFT SEALS



Hsg Bore	Seal O.D.	Seal Flanged O.D.	Seal Width	Width w/Side Lip	Lip Mat'l	Part No.	Type/ Illus.
87,00mm (3.425") SHAFT (cont.)							
100,00	100,20		8,00		N	228700 ⁴	32
3.937	3.945		0.315				
107,00	107,20	109,00	11,00		S	710569	62
4.213	4.220	4.291	0.433				
3.437" (3-7/16") SHAFT							
			0.781			99339 Redi-Sleeve	
4.501	4.506		0.625		L	55419	5L
4.755	4.761		0.700		S	370047A ¹	06
4.501	4.506		0.468		S	• 416365	41
4.501	4.506		0.375		S	417492¹	41
4.501	4.506		0.375		V	417492V ¹	47
4.626	4.631		0.500		S	417493 ¹	41
4.626	4.631		0.500		V	• 417493V	41
4.876	4.881		0.500		S	417494¹	41
4.249	4.254		0.375		S	418029 ¹	41
4.999	5.004		0.468		S	455026 ¹	45
4.499	4.504		0.468		S	• 455166	45
4.876	4.881		0.625		S	• 455341	45
5.250	5.256		0.468		S	455471 ¹	45
5.501	5.506		0.562		S	• 455472	45
4.249	4.254		0.625		S	455499 ¹	45
4.756	4.761		0.562		S	455858 ¹	45
4.501	4.506		0.468		S	• 476365	47
3.445" SHAFT							
3.622	3.630		0.596		V	710840	#
88,00mm (3.465") SHAFT							
108,00	108,36		11,00		H	3772 ⁴	35
4.252	4.266		0.433				
106,00	106,28		8,50		V	710188 ⁴	32
4.173	4.184		0.335				
105,00	107,95		10,00		S	710587	32
4.134	4.250		0.394				
110,00	110,20		8,50		V	710707 ⁴	32
4.331	4.339		0.335				
104,00	104,40		8,50		H	710860 ⁴	32
4.094	4.110		0.335				
111,00	111,20		23,80		H	710884	#
4.370	4.378		0.937				
3.468" (3-15/32") SHAFT							
4.626	4.631		0.625		S	2055 ¹	47
3.478" SHAFT							
			0.781			99340 Redi-Sleeve	
3.500" (3-1/2") SHAFT							
			0.315			99347 Redi-Sleeve	
			0.625			99346 Redi-Sleeve	
			0.813			99350 Redi-Sleeve	
4.437	4.437		0.437		L	5965 ⁸	8L
5.250	5.258		0.562		S	6612S	#
4.841	4.848		0.875		S	6638S ¹	#
4.450	4.455		0.525		S	9339S	278

Hsg Bore	Seal O.D.	Seal Flanged O.D.	Seal Width	Width w/Side Lip	Lip Mat'l	Part No.	Type/ Illus.
3.500" (3-1/2") SHAFT (cont.)							
4.125	4.130		0.250		S	45525S	4S
4.499	4.508		0.250		S	345146	34
4.842	4.855		0.925		S	370001A ¹⁸	11
5.000	5.006		1.000		S	370002A ¹	03
4.543	4.558		0.788		S	370132A	07
4.751	4.761		0.605		S	370169A	07
4.450	4.460		0.843		S	370179A	07
4.840	4.852		0.910		T	380001A	10
4.999	5.004		0.468		N	415027N ¹	41
4.999	5.004		0.468		H	415027H	41
4.999	5.004		0.468		S	415027¹	41
4.499	4.504		0.468		S	415146 ¹	41
4.499	4.504		0.468		N	• 415146N	41
4.626	4.631		0.625		S	415170 ¹	41
4.751	4.756		0.625		N	• 415173N	41
4.751	4.756		0.625		S	• 415173	41
5.501	5.506		0.562		S	• 415262	41
5.126	5.131		0.625		N	• 415319N	41
5.126	5.131		0.625		S	• 415319	41
5.751	5.756		0.562		S	• 415396	41
4.751	4.756		0.500		S	415437¹	41
5.251	5.256		0.468		S	415559¹	41
4.375	4.381		0.562		S	• 415899	41
4.375	4.381		0.562		N	415899N ¹	41
4.501	4.506		0.468		V	415991V ¹	41
4.501	4.506		0.468		N	415991N¹	41
4.501	4.506		0.468		S	415991¹	41
4.999	5.004		0.500		N	• 416331N	41
4.500	4.506		0.500		S	• 416414	41
4.376	4.381		0.500		V	• 416624V	41
4.376	4.381		0.500		S	416624¹	41
4.376	4.381		0.500		N	416624N ¹	41
4.625	4.631		0.500		S	417196¹	41
4.625	4.631		0.500		V	• 417196V	41
4.875	4.881		0.500		S	417198¹	41
5.126	5.131		0.500		S	417495¹	41
5.500	5.505		0.500		S	417496¹	41
4.125	4.131		0.250		V	• 446927V	44
4.125	4.130		0.250		S	446927	44
4.999	5.004		0.468		S	455027	45
4.499	4.504		0.468		S	455146 ¹	45
4.626	4.631		0.625		N	• 455170N	45
4.751	4.756		0.625		N	• 455173N	45
4.751	4.756		0.625		S	455173 ¹	45
4.875	4.881		0.625		S	• 455255	45
5.501	5.506		0.562		S	• 455262	45
5.126	5.131		0.625		S	• 455319	45
5.751	5.756		0.562		S	455396¹	45
4.751	4.756		0.500		N	• 455437N	45
5.251	5.256		0.468		S	• 455559	45
4.375	4.381		0.562		S	• 455899	45
4.501	4.506		0.468		S	• 455991	45
4.376	4.381		0.625		S	• 456068	45
4.999	5.004		0.500		S	• 456331	45
4.376	4.381		0.500		S	• 456624	45

SIZE SECTION

¹Redicoat®; ⁴Counter-Clockwise-Spiral Lip Design; ⁸External Bore; ¹⁸Dynamic Edge; ; • Non Stock Item - Special Order

Size Section

RADIAL SHAFT SEALS

SIZE SECTION

Hsg Bore	Seal O.D.	Seal Flanged O.D.	Seal Width	Width w/Side Lip	Lip Mat'l	Part No.	Type/ Illus.
3.500" (3-1/2") SHAFT (cont.)							
4.625	4.631		0.500		S	• 457196	45
4.376	4.381		0.375		S	• 457599	45
4.999	5.004		0.468		S	• 475027	47
4.499	4.504		0.468		N	• 475146N	47
4.499	4.504		0.468		S	• 475146	47
4.751	4.756		0.625		S	• 475173	47
5.501	5.506		0.562		S	• 475262	47
5.126	5.131		0.625		N	• 475319N	47
5.751	5.756		0.562		S	• 475396	47
4.750	4.756		0.500		S	• 475437	47
5.251	5.256		0.468		S	• 475559	47
4.501	4.506		0.468		N	• 475991N	47
4.626	4.631		0.437		S	• 476328	47
4.500	4.506		0.500		S	• 476414	47
4.751	4.756		0.375		N	476424N ¹	47
4.376	4.381		0.500		V	• 476624V	47
4.376	4.381		0.500		S	• 476624	47
4.625	4.631		0.500		S	• 477196	47
4.500	4.506		0.375		S	• 477437	47
4.376	4.381		0.375		S	• 477599	47
4.999	5.004		0.468		S	• 485027	48
4.999	5.004		0.468		N	• 485027N	48
4.499	4.504		0.468		S	• 485146	48
4.751	4.756		0.625		S	• 485173	48
5.501	5.506		0.562		S	• 485262	48
5.751	5.756		0.562		S	• 485396	48
4.750	4.756		0.500		S	• 485437	48
5.251	5.256		0.468		S	• 485559	48
4.501	4.506		0.468		N	• 485991N	48
4.626	4.631		0.437		S	• 486328	48
4.500	4.506		0.500		S	• 486414	48
4.376	4.381		0.500		S	• 486624	48
4.625	4.631		0.500		S	• 487196	48
4.000	4.005		0.313		U	710029	#
4.125	4.130		0.313		U	710030	#
4.682	4.688	4.947	0.451		V	710454 ^{1,6}	86
4.501	4.506		0.468		V	712750 ¹	41
3.504" SHAFT							
			0.626			99349 Redi-Sleeve	
			0.813			99852 Redi-Sleeve	
4.921	5.021		0.321		S	• 200878 ⁸	200E
109,00	109,20		9,00		H	229004 ⁴	32
4.291	4.299		0.354				
105,00	105,20		10,00		V	710189 ⁴	47
4.134	4.142		0.394				
108,00	108,20		12,70		T	710585	32
4.252	4.260		0.500				
105,00	105,30		8,50		V	710871 ⁴	32
4.134	4.146		0.335				
3.528" SHAFT							
5.460	5.469		0.654		S	710685	#
3.539" SHAFT							
5.277	5.291		0.585		N	370212A ¹⁹	11

Hsg Bore	Seal O.D.	Seal Flanged O.D.	Seal Width	Width w/Side Lip	Lip Mat'l	Part No.	Type/ Illus.
3.543" SHAFT (cont.)							
			0.438			99352 Redi-Sleeve	
			0.528			99353 Redi-Sleeve	
			0.710			99351 Redi-Sleeve	
			0.906			99354 Redi-Sleeve	
6.215	6.220		0.562		T	39865 ⁵	#
110,00	110,31		12,00		V	229005 ⁴	32
4.331	4.343		0.472				
110,00	110,31		8,50		H	229010 ⁴	32
4.331	4.343		0.335				
104,00	104,10		11,00		V	710237 ⁴	32
4.094	4.098		0.433				
140,00	140,20	210,00	10,00		T	710449	40
5.512	5.520	8.268	0.394				
108,00	108,20		10,00		N	710571	280
4.252	4.260		0.394				
3.550" SHAFT							
4.376	4.381		0.375		N	• 455923N	45
3.562" (3-9/16") SHAFT							
			0.813			99356 Redi-Sleeve	
4.755	4.761	5.125	0.550		S	9584 ¹	74
4.999	5.004		0.468		L	55028	5L
4.499	4.504		0.468		S	415498	41
4.625	4.631		0.500		S	415711 ¹	41
4.500	4.506		0.500		V	• 416113V	41
4.751	4.756		0.500		S	417497¹	41
4.876	4.881		0.500		S	417498 ¹	41
4.751	4.756		0.625		S	• 455174	45
5.751	5.756		0.562		S	• 455402	45
4.499	4.504		0.468		S	• 455498	45
4.499	4.504		0.468		N	• 455498N	45
4.500	4.506		0.500		S	• 456113	45
4.500	4.506		0.500		N	• 456113N	45
4.626	4.631		0.562		N	• 476591N	47
4.499	4.504		0.468		S	• 485498	48
91,00mm (3.583") SHAFT							
111,00	111,20		10,00		V	710056 ^{1,4}	47
4.370	4.378		0.394				
111,00	111,20		7,50		N	710894 ⁴	32
4.370	4.378		0.295				
3.620" SHAFT							
4.625	4.630		0.400		T	39882 ⁵	FW-H
3.622" SHAFT							
			0.811			99360 Redi-Sleeve	
110,00	110,26		9,50		V	229210 ⁶	32
4.331	4.341		0.374				
110,00	110,29		10,00		H	355660H ⁴	35
4.331	4.342		0.394				
110,00	110,20		7,00		V	710803 ⁴	32
4.331	4.339		0.276				
4.500	4.508		0.846		T	710814	32
109,00	109,20		9,50		V	710896 ⁵	40
4.291	4.299		0.374				

54 ¹Redicoat®; ⁴Counter-Clockwise-Spiral Lip Design; ⁵Clockwise-Spiral Lip Design; ⁶Bi-Directional Lip Design; ⁸External Bore; ¹⁹Dexter Axle; ; • Non Stock Item - Special Order

Size Section

RADIAL SHAFT SEALS



Hsg Bore	Seal O.D.	Seal Flanged O.D.	Seal Width	Width w/Side Lip	Lip Mat'l	Part No.	Type/ Illus.
3.625" (3-5/8") SHAFT (cont.)							
			0.500			99363	Redi-Sleeve
			0.813			99362	Redi-Sleeve
4.240	4.256		0.390		V	3909 ⁴	35
4.751	4.756		0.500		T	39703 ⁵	FW-H
4.751	4.756		0.500		T	39813 ⁵	W-H
4.839	4.844		0.500		L	55353	5L
4.725	4.730		0.312		S	• 255833	25
5.000	5.006		0.875		S	370011A	05
4.810	4.820		0.921		S	370012A	07
4.999	5.004		0.468		S	• 415029	41
4.626	4.631		0.625		S	• 415172	41
4.625	4.631		0.625		N	• 415172N	41
4.626	4.631		0.625		V	• 415172V	41
4.751	4.756		0.625		S	• 415175	41
4.876	4.881		0.625		S	• 415181	41
4.499	4.504		0.468		N	415389N	41
4.499	4.504		0.468		S	415389¹	41
5.751	5.756		0.562		S	415436 ¹	41
5.375	5.381		0.500		S	415832¹	41
4.751	4.756		0.500		S	415937¹	41
4.625	4.631		0.500		S	416047¹	41
4.999	5.004		0.500		S	416125¹	41
4.625	4.631		0.437		S	416332¹	41
4.751	4.756		0.484		S	• 416333	41
5.251	5.256		0.468		S	• 416335	41
5.251	5.256		0.468		N	• 416335N	41
5.251	5.256		0.468		V	• 416335V	41
5.501	5.506		0.562		S	• 416389	41
4.875	4.881		0.500		S	417355¹	41
5.251	5.256		0.437		S	417499¹	41
5.501	5.506		0.500		S	417500 ¹	41
5.501	5.506		0.500		V	• 417500V	41
6.000	6.006		0.500		S	• 417650	41
4.376	4.381		0.375		S	417698¹	41
4.626	4.631		0.625		N	• 455172N	45
4.626	4.631		0.625		V	• 455172V	45
4.751	4.756		0.625		S	• 455175	45
4.876	4.881		0.625		S	• 455181	45
4.499	4.504		0.468		S	• 455389	45
4.499	4.504		0.468		V	• 455389V	45
5.751	5.756		0.562		S	• 455436	45
4.751	4.756		0.562		S	• 455486	45
5.375	5.381		0.500		S	• 455832	45
4.751	4.756		0.500		S	• 455937	45
4.874	4.879		0.625		S	• 455947	45
4.624	4.629		0.500		S	• 456003	45
4.625	4.631		0.500		S	• 456047	45
4.999	5.004		0.500		S	• 456125	45
5.251	5.256		0.468		S	• 456335	45
5.501	5.506		0.562		S	• 456389	45
4.375	4.381		0.375		N	456744N ¹	45
4.375	4.381		0.375		S	• 456744	45
4.875	4.881		0.500		S	• 457355	45
4.999	5.004		0.468		S	• 475029	47
4.751	4.756		0.625		S	• 475175	47

Hsg Bore	Seal O.D.	Seal Flanged O.D.	Seal Width	Width w/Side Lip	Lip Mat'l	Part No.	Type/ Illus.
3.625" (3-5/8") SHAFT (cont.)							
4.499	4.504		0.468		N	• 475389N	47
4.499	4.504		0.468		S	• 475389	47
5.751	5.756		0.562		S	• 475436	47
4.751	4.756		0.500		S	• 475937	47
4.625	4.631		0.500		S	• 476047	47
4.999	5.004		0.500		S	• 476125	47
4.626	4.631		0.437		S	• 476332	47
4.626	4.631		0.437		N	• 476332N	47
5.251	5.256		0.468		S	• 476335	47
5.501	5.506		0.562		S	• 476389	47
4.875	4.881		0.500		S	• 477355	47
4.999	5.004		0.468		S	• 485029	48
4.751	4.756		0.625		S	• 485175	48
4.499	4.504		0.468		S	• 485389	48
5.751	5.756		0.562		S	• 485436	48
4.874	4.879		0.585		S	485497 ¹	48
4.751	4.756		0.500		S	• 485937	48
4.625	4.631		0.500		S	• 486047	48
4.999	5.004		0.500		S	• 486125	48
4.626	4.631		0.437		S	• 486332	48
4.626	4.631		0.437		N	• 486332N	48
5.251	5.256		0.468		S	• 486335	48
4.875	4.881		0.500		S	• 487355	48
4.624	4.630		0.500		N	• 487397N	48
4.624	4.630		0.500		V	487397V ^{1,5}	48
4.751	4.757		0.875		V	• 600349	#
3.657" SHAFT							
			0.810		T	711030 ⁴	#
93,00mm (3.661") SHAFT							
154,00	154,10		8,00		S	710266	98
6.063	6.067		0.315				
114,00	114,33		13,00		V	710288 ⁴	32
4.488	4.501		0.512				
5.256	5.264	6.102	0.610		T	710812	32
114,00	114,33		11,50		T	710813 ⁴	32
4.488	4.501		0.453				
3.687" (3-11/16") SHAFT							
			0.313			99368	Redi-Sleeve
			0.813			99359	Redi-Sleeve
			0.813			99365	Redi-Sleeve
4.999	5.004		0.468		L	55030	5L
5.501	5.506		0.562		S	• 415269	41
5.250	5.256		0.468		N	• 416670N	41
5.250	5.256		0.468		S	416670 ¹	41
4.501	4.506		0.500		N	416919N ¹	41
4.501	4.506		0.500		S	416919 ¹	41
4.750	4.756		0.500		S	417501¹	41
5.501	5.506		0.500		S	417502¹	41
4.501	4.506		0.500		V	456919V	45
4.626	4.631		0.625		S	• 476124	47
3.730" SHAFT							
			0.781			99366	Redi-Sleeve

SIZE SECTION

¹Redicoat®; ⁴Counter-Clockwise-Spiral Lip Design; ⁵Clockwise-Spiral Lip Design; ; • Non Stock Item - Special Order

Size Section

RADIAL SHAFT SEALS

SIZE SECTION

Hsg Bore	Seal O.D.	Seal Flanged O.D.	Seal Width	Width w/Side Lip	Lip Mat'l	Part No.	Type/ Illus.
3.740" SHAFT (cont.)							
			0.344			99374	Redi-Sleeve
			0.469			99364	Redi-Sleeve
			0.827			99369	Redi-Sleeve
4.528	4.540		0.492		T	4359V	32
172,00	172,09		28,00		T	39926 ⁵	W-H
6.772	6.775		1.102				
118,00	118,29		8,50		H	710060 ⁴	32
4.646	4.657		0.335				
132,00	132,26		12,00		S	710085	90
5.197	5.207		0.472				
113,00	113,10		10,00		V	710352 ⁴	47
4.449	4.453		0.394				
118,00	118,60		8,50		T	710600 ²⁰	32
4.646	4.669		0.335				
110,00	110,26		11,00		S	717005 ⁴	32
4.331	4.341		0.433				
3.750" (3-3/4") SHAFT							
			0.344			99367	Redi-Sleeve
			0.563			99376	Redi-Sleeve
			0.688			99372	Redi-Sleeve
4.751	4.756		0.500		H	2218 ^{1,4}	47
4.501	4.506		0.362		V	2377 ¹	35
4.750	4.756		0.500		V	3893V	45
4.750	4.756		0.500		T	39608 ⁴	DW-H
4.750	4.756		0.500		T	39705 ⁵	FW-H
4.750	4.756		0.500		T	39837 ⁴	W-H
4.999	5.004		0.250		S	45031S	4S
4.999	5.004		0.468		N	• 415031N	41
4.999	5.004		0.468		S	• 415031	41
5.251	5.256		0.468		S	• 415150¹	41
4.751	4.756		0.625		S	• 415177	41
4.876	4.881		0.625		S	• 415183	41
4.751	4.756		0.500		V	415379V ¹	41
4.751	4.756		0.500		S	• 415379¹	41
4.751	4.756		0.500		N	• 415379N	41
5.501	5.506		0.562		S	• 415423	41
5.751	5.756		0.562		S	• 415852	41
4.751	4.756		0.484		N	415963N	41
4.751	4.756		0.484		V	• 415963V	41
4.499	4.506		0.468		V	415983V	41
4.499	4.506		0.468		S	415983 ¹	41
4.499	4.506		0.468		N	415983N ¹	41
4.626	4.632		0.500		S	• 416041¹	41
5.376	5.381		0.500		S	• 416127¹	41
4.999	5.004		0.500		S	• 416339¹	41
4.999	5.004		0.500		N	• 416339N	41
4.875	4.881		0.500		S	• 417205¹	41
5.501	5.506		0.500		S	• 417503¹	41
4.999	5.004		0.468		N	• 455031N	45
4.999	5.004		0.468		S	• 455031¹	45
5.251	5.256		0.468		V	• 455150V	45
4.876	4.881		0.625		S	• 455183	45
4.751	4.756		0.500		S	455379 ¹	45
4.751	4.756		0.500		N	• 455379N	45

Hsg Bore	Seal O.D.	Seal Flanged O.D.	Seal Width	Width w/Side Lip	Lip Mat'l	Part No.	Type/ Illus.
3.750" (3-3/4") SHAFT (cont.)							
5.501	5.506		0.562		S	• 455423	45
5.751	5.756		0.562		S	• 455852	45
4.751	4.756		0.484		N	• 455963N	45
4.626	4.632		0.500		S	• 456041	45
5.376	5.381		0.500		S	• 456127	45
4.999	5.004		0.500		S	• 456339	45
4.875	4.881		0.500		S	• 457205	45
4.999	5.004		0.468		V	• 475031V	47
4.999	5.004		0.468		S	• 475031	47
5.251	5.256		0.468		S	• 475150	47
4.751	4.756		0.625		S	• 475177	47
4.751	4.756		0.500		S	475379 ¹	47
4.751	4.756		0.500		N	• 475379N	47
5.501	5.506		0.562		S	• 475423	47
5.751	5.756		0.562		S	• 475852	47
4.626	4.632		0.500		S	• 476041	47
4.626	4.631		0.437		S	• 476336	47
4.999	5.004		0.500		S	• 476339	47
4.875	4.881		0.500		S	• 477205	47
4.999	5.004		0.468		S	• 485031	48
5.251	5.256		0.468		S	• 485150	48
4.751	4.756		0.625		S	• 485177	48
4.751	4.756		0.500		S	• 485379	48
4.751	4.756		0.500		N	• 485379N	48
5.501	5.506		0.562		S	• 485423	48
5.751	5.756		0.562		S	• 485852	48
4.626	4.632		0.500		S	• 486041	48
4.626	4.631		0.437		S	• 486336	48
4.999	5.004		0.500		S	• 486339	48
4.751	4.756		0.375		N	• 486544N	48
4.750	4.756		0.375		V	• 486923V	48
4.875	4.881		0.500		S	• 487205	48
4.500	4.506		0.468		V	713750 ¹	69
3.777" SHAFT							
4.567	4.578		0.472		T	710815 ⁴	32
96,00mm (3.780") SHAFT							
116,00	116,26		9,00		V	710262 ⁴	32
4.567	4.577		0.354				
3.797" SHAFT							
4.501	4.506		0.250		S	8370S	4S
3.812" (3-13/16") SHAFT							
4.876	4.881		0.500		S	417504 ¹	41
4.999	5.004		0.468		S	455032 ¹	45
4.751	4.756		0.625		S	• 455178	45
5.251	5.256		0.468		S	455189 ¹	45
5.251	5.256		0.468		N	• 455189N	45
97,00mm (3.819") SHAFT							
117,00	117,30		7,50		V	710858 ⁴	32
4.606	4.618		0.295				
3.858" SHAFT							
4.525	4.540		0.492		T	100085 ⁴	32

Size Section

RADIAL SHAFT SEALS



Hsg Bore	Seal O.D.	Seal Flanged O.D.	Seal Width	Width w/Side Lip	Lip Mat'l	Part No.	Type/ Illus.
98,00mm (3.858") SHAFT (cont.)							
116,00	116,28		10,00		V	710520 ⁶	32
4.567	4.578		0.394				
110,00	110,30		8,50		V	710669 ⁴	35
4.331	4.343		0.335				
118,00	118,20		10,00		N	710789 ⁴	32
4.646	4.654		0.394				
114,00	114,30		8,00		V	710900 ⁴	32
4.488	4.500		0.315				
3.871" SHAFT							
			0.813			99386 Redi-Sleeve	
3.875" (3-7/8") SHAFT							
			0.813			99387 Redi-Sleeve	
5.689	5.704		0.880		S	370023A ¹⁸	11
5.501	5.515		0.875		S	370024A	11
5.126	5.132		0.605		S	370033A ¹	06
5.376	5.381		0.895		S	370165A ¹	03
5.690	5.703		0.770		T	380023A	10
4.999	5.004		0.468		N	• 415033N	41
4.999	5.004		0.468		S	• 415033	41
5.251	5.256		0.468		S	• 415148	41
4.751	4.756		0.625		S	• 415179	41
4.876	4.881		0.625		S	• 415185	41
4.876	4.881		0.625		N	• 415185N	41
5.126	5.131		0.625		S	• 415547	41
5.125	5.131		0.500		S	415697¹	41
5.376	5.381		0.500		S	415958 ¹	41
5.751	5.756		0.562		S	416043 ¹	41
5.501	5.506		0.562		S	• 416128	41
4.626	4.631		0.625		S	• 416342	41
4.626	4.631		0.625		N	• 416342N	41
4.999	5.004		0.500		S	416345¹	41
4.751	4.756		0.375		S	417210¹	41
4.875	4.881		0.500		S	417211¹	41
5.250	5.256		0.500		S	417366¹	41
5.501	5.506		0.500		S	417505¹	41
4.999	5.004		0.468		S	455033	45
5.251	5.256		0.468		S	• 455148	45
4.751	4.756		0.625		N	• 455179N	45
4.876	4.881		0.625		S	• 455185	45
4.876	4.881		0.625		N	• 455185N	45
5.126	5.131		0.625		S	455547	45
5.126	5.131		0.625		N	• 455547N	45
5.125	5.131		0.500		S	• 455697	45
5.376	5.381		0.500		S	455958	45
5.751	5.756		0.562		S	• 456043	45
5.501	5.506		0.562		S	• 456128	45
4.751	4.756		0.484		S	• 456343	45
4.999	5.004		0.500		S	• 456345	45
4.999	5.004		0.500		N	• 456345N	45
4.876	4.881		0.500		S	• 456626	45
6.064	6.070		0.625		S	• 456676	45
4.751	4.756		0.500		S	• 456981	45
5.250	5.256		0.500		S	• 457366	45
4.999	5.004		0.468		S	• 475033	47

Hsg Bore	Seal O.D.	Seal Flanged O.D.	Seal Width	Width w/Side Lip	Lip Mat'l	Part No.	Type/ Illus.
3.875" (3-7/8") SHAFT (cont.)							
5.251	5.256		0.468		S	• 475148	47
4.751	4.756		0.625		S	• 475179	47
5.125	5.131		0.500		S	• 475697	47
5.751	5.756		0.562		S	• 476043	47
4.686	4.691		0.375		N	• 476098N	47
5.501	5.506		0.562		S	• 476128	47
4.626	4.631		0.437		S	• 476341	47
4.999	5.004		0.500		S	• 476345	47
4.750	4.756		0.375		S	• 476985	47
4.875	4.881		0.500		S	• 477211	47
5.250	5.256		0.500		S	• 477366	47
4.999	5.004		0.468		S	• 485033	48
4.999	5.004		0.468		V	• 485033V	48
5.251	5.256		0.468		S	• 485148	48
4.751	4.756		0.625		S	• 485179	48
4.751	4.756		0.625		N	• 485179N	48
5.125	5.131		0.500		S	• 485697	48
5.751	5.756		0.562		S	• 486043	48
5.501	5.506		0.562		S	• 486128	48
4.999	5.004		0.500		S	• 486345	48
4.750	4.756		0.375		S	• 486985	48
4.750	4.756		0.375		V	• 486985V	48
4.875	4.881		0.500		S	• 487211	48
5.250	5.256		0.500		S	• 487366	48
3.880" SHAFT							
5.690	5.695		0.500		S	456618 ¹	45
99,00mm (3.898") SHAFT							
119,00	119,10		9,50		V	710526 ⁴	32
4.685	4.689		0.374				
115,00	115,30		10,00		T	710855 ⁴	32
4.528	4.539		0.394				
3.908" SHAFT							
4.875	4.881		0.500		S	• 416037	41
3.934" SHAFT							
5.906	5.911		0.500		S	476517	47
3.937" (3-15/16") SHAFT							
			0.813			99393 Redi-Sleeve	
			0.813			99854 Redi-Sleeve	
5.371	5.377		0.906		S	6270 ¹	21
125,00	125,28		12,00		S	231003	35
4.921	4.932		0.472				
120,00	120,12		11,00		H	231004	32
4.724	4.735		0.433				
5.372	5.386		1.015		S	370008A	11
5.501	5.507		0.937		S	370009A ¹	03
5.126	5.140		0.605		S	370371A	11
5.501	5.511		0.957		T	380009A	10
4.990	5.004		0.468		V	• 415034V	41
4.999	5.004		0.468		V	• 415034VAR	41
4.999	5.004		0.468		S	415034¹	41
4.876	4.882		0.625		S	• 415186	41

SIZE SECTION

¹Redicoat®; ⁴Counter-Clockwise-Spiral Lip Design; ⁶Bi-Directional Lip Design; ¹⁸Dynamic Edge; ; • Non Stock Item - Special Order

Size Section

RADIAL SHAFT SEALS

SIZE SECTION

Seal		Width		Lip Mat'l	Part No.	Type/ Illus.	Seal		Width		Lip Mat'l	Part No.	Type/ Illus.
Hsg Bore	Seal O.D.	Flanged O.D.	Seal Width				w/Side Lip	Hsg Bore	Seal O.D.	Flanged O.D.			
3.937" (3-15/16") SHAFT (cont.)							4.000" (4-3/32") SHAFT (cont.)						
5.376	5.381		0.500	S	415263 ¹	41	5.501	5.506		0.562	S	415036 ¹	41
4.999	5.004		0.500	S	•416350	41	5.751	5.756		0.562	S	415041 ¹	41
5.501	5.506		0.500	S	417506 ¹	41	5.751	5.756		0.562	N	•415041N	41
4.876	4.881		0.500	S	417967 ¹	41	6.250	6.256		0.562	S	•415054	41
4.999	5.004		0.468	S	455034 ¹	45	4.876	4.881		0.625	S	415187 ¹	41
4.999	5.004		0.468	N	•455034N	45	5.126	5.131		0.625	S	•415188	41
4.999	5.004		0.468	V	•455034V	45	5.251	5.256		0.468	N	415192N ¹	41
4.876	4.881		0.625	S	455186 ¹	45	5.251	5.256		0.468	S	•415192	41
5.251	5.256		0.468	S	455191 ¹	45	5.999	6.007		0.625	S	•415201	41
5.501	5.506		0.562	S	•455575	45	5.626	5.631		0.500	S	•415513	41
4.999	5.004		0.500	S	•456350	45	4.999	5.004		0.500	N	•415953N	41
5.906	5.911		0.500	S	•486517	48	4.999	5.004		0.500	V	415953V ¹	41
145,00	145,10		15,00	N	710278	59	4.999	5.004		0.500	S	415953 ¹	41
5.709	5.713		0.591				5.376	5.381		0.500	S	416130 ¹	41
124,00	124,20		13,00	V	710290 ⁴	32	6.312	6.318		0.500	S	•417123	41
4.882	4.890		0.512				6.250	6.256		0.500	S	417223 ¹	41
5.126	5.133		0.562	V	710466 ¹	47	5.125	5.131		0.500	S	417356 ¹	41
120,00	120,32		9,50	N	710471 ⁴	32	5.250	5.256		0.500	S	417357 ¹	41
4.724	4.737		0.374				5.626	5.632		0.375	S	417507 ¹	41
114,00	114,30		12,00	N	710518	47	5.999	6.005		0.500	S	417509 ¹	41
4.488	4.500		0.472				4.999	5.005		0.468	S	455035	45
118,00	118,20		8,50	V	710639 ⁴	32	4.999	5.005		0.468	N	455035N	45
4.646	4.654		0.335				5.126	5.131		0.625	S	455188	45
4.740	4.753		0.810	T	710841 ⁴	#	5.251	5.256		0.468	S	455192	45
101,00mm (3.976") SHAFT							5.999	6.007		0.625	S	•455201	45
114,00	114,10		10,00	S	710371	25	5.374	5.379		0.500	S	•455512	45
4.488	4.492		0.394				5.626	5.631		0.500	S	455513 ¹	45
3.977" SHAFT							5.626	5.631		0.500	N	455513N	45
5.376	5.381		0.500	S	•455608	45	4.999	5.004		0.500	N	•455953N	45
3.992" SHAFT							5.376	5.381		0.500	S	•456130	45
5.875	5.881		0.625	S	•417401	41	5.689	5.695		0.500	S	•456873	45
4.000" (4-3/32") SHAFT							5.500	5.506		0.500	S	•456887	45
		0.500			99401 Redi-Sleeve		5.250	5.256		0.375	N	•456946N	45
		0.600			99395 Redi-Sleeve		5.000	5.005		0.312	N	•456967N	45
		0.650			99400 Redi-Sleeve		5.000	5.005		0.312	V	456967V ¹	45
		0.813			99399 Redi-Sleeve		5.125	5.131		0.500	S	•457356	45
4.999	5.005		0.500	T	37939 ⁴	PDW	5.250	5.256		0.500	S	•457357	45
5.000	5.005		0.500	T	39723 ⁵	FW-H	4.998	5.004		0.375	N	•457382N	45
4.876	4.881		0.250	S	45187S	4S	5.125	5.130		0.312	V	•457649V	45
5.510	5.560		0.320	S	•200947 ⁸	200E	4.999	5.004		0.468	S	•475035	47
4.998	5.006		0.500	S	327215	32	5.501	5.506		0.562	S	•475036	47
4.562	4.568		0.375	N	335924N	33	5.751	5.756		0.562	S	•475041	47
4.999	5.008		0.312	S	345035	34	6.250	6.256		0.562	S	•475054	47
5.375	5.381		1.000	S	370015A ¹	03	5.251	5.256		0.468	N	•475192N	47
5.757	5.771		0.955	S	370036A	11	5.251	5.256		0.468	S	•475192	47
5.626	5.632		0.605	S	370066A ¹	06	5.999	6.007		0.625	S	•475201	47
5.757	5.798		0.600	S	370349A	02	4.999	5.004		0.375	S	475845 ¹	47
5.752	5.765		0.965	T	380036A	10	4.999	5.004		0.500	S	•475953	47
4.999	5.004		0.468	V	415035V ¹	41	5.375	5.381		0.500	S	•476130	47
4.999	5.004		0.468	N	•415035N	41	6.375	6.382		0.500	S	•476816	47
4.999	5.004		0.468	S	415035 ¹	41	6.312	6.318		0.500	S	•477123	47
5.500	5.506		0.562	N	•415036N	41	5.125	5.131		0.500	S	•477356	47
							5.250	5.256		0.500	S	•477357	47
							4.999	5.004		0.468	N	•485035N	48
							4.999	5.004		0.468	S	•485035	48

Size Section

RADIAL SHAFT SEALS



Hsg Bore	Seal O.D.	Seal Flanged O.D.	Seal Width	Width w/Side Lip	Lip Mat'l	Part No.	Type/ Illus.
4.000" (4-3/32") SHAFT (cont.)							
5.501	5.506		0.562		S	• 485036	48
5.751	5.756		0.562		S	• 485041	48
6.250	6.256		0.562		S	• 485054	48
5.251	5.256		0.468		S	• 485192	48
5.999	6.007		0.625		S	• 485201	48
4.999	5.004		0.500		S	• 485953	48
5.375	5.381		0.500		S	• 486130	48
5.125	5.131		0.500		S	• 487356	48
5.250	5.256		0.500		S	• 487357	48
4.999	5.004		0.468		H	710022 ¹	45
4.999	5.004		0.469		V	714713 ^{1,6}	96
4.040" SHAFT							
5.122	5.129		0.945		S	370198A ¹⁴	11
4.050" (4-1/16") SHAFT							
5.501	5.506		0.671		S	6864S ¹	45
4.062" SHAFT							
5.501	5.506		0.562		S	455037 ¹	45
4.094" SHAFT							
			0.787			99409 Redi-Sleeve	
128,00	128,20		11,00		T	710603 ⁴	32
5.039	5.047		0.433				
139,00	139,20		13,00		V	710892	32
5.472	5.480		0.512				
4.125" (4-1/8") SHAFT							
			0.813			99412 Redi-Sleeve	
4.999	5.004		0.468		N	6565N ¹	41
4.999	5.005		1.037		T	37921 ⁴	PDW
5.375	5.382		0.605		S	370094A ¹	06
5.751	5.756		0.562		S	415043¹	41
4.999	5.004		0.468		N	• 415134N	41
4.999	5.004		0.468		S	• 415134	41
5.251	5.256		0.468		S	415142¹	41
5.126	5.132		0.500		S	417511¹	41
5.501	5.506		0.500		S	417512 ¹	41
6.250	6.256		0.562		S	455056 ¹	45
4.999	5.005		0.468		S	455134¹	45
4.999	5.005		0.468		N	• 455134N	45
4.999	5.005		0.468		V	• 455134V	45
5.251	5.256		0.468		S	• 455142	45
6.000	6.007		0.625		S	455203 ¹	45
5.126	5.131		0.625		S	• 455393	45
4.134" SHAFT							
			0.787			99413 Redi-Sleeve	
4.166" SHAFT							
5.625	6.800		0.210		S	2064 ²¹	#
5.501	5.506		0.600		S	9128S ^{1,6}	45
5.500	5.506		0.605		S	370106A ¹	06
4.187" (4-3/16") SHAFT							
			0.813			99418 Redi-Sleeve	

Hsg Bore	Seal O.D.	Seal Flanged O.D.	Seal Width	Width w/Side Lip	Lip Mat'l	Part No.	Type/ Illus.
4.187" (4-3/16") SHAFT (cont.)							
5.501	5.506		0.562		N	• 415039N	41
5.501	5.506		0.562		S	• 415039	41
5.751	5.756		0.562		S	• 415044	41
4.999	5.004		0.468		S	415295¹	41
6.000	6.007		0.625		N	• 416673N	41
6.000	6.007		0.625		S	• 416673	41
5.501	5.506		0.500		S	417513¹	41
5.751	5.756		0.500		S	417514¹	41
6.000	6.007		0.500		S	417515¹	41
6.250	6.256		0.500		S	417516¹	41
6.250	6.256		0.500		V	• 417516V	41
4.999	5.004		0.375		S	418038 ¹	41
5.501	5.506		0.562		S	• 455039	45
5.751	5.756		0.562		S	• 455044	45
6.250	6.256		0.562		S	• 455057	45
5.125	5.131		0.500		V	• 455081V	45
5.251	5.256		0.468		S	455194 ¹	45
5.999	6.007		0.625		S	• 455204	45
4.999	5.004		0.468		S	• 455295	45
6.373	6.381		0.625		S	• 455625	45
5.500	5.506		0.500		S	• 456889	45
107,00mm (4.2130") SHAFT							
123,00	123,10		11,00		S	710295	47
4.843	4.846		0.433				
4.230" SHAFT							
			0.781			99423 Redi-Sleeve	
4.241" SHAFT							
5.105	5.113		0.390		T	710698 ⁴	32
4.250" (4-1/4") SHAFT							
5.250	5.256		0.250		S	47150S	4S
6.064	6.071		0.605		S	370030A ¹	06
6.250	6.264		1.188		S	370031A	11
6.008	6.014		1.000		S	370065A ¹⁸	11
6.035	6.047		0.915		S	370107A ¹	03
6.008	6.050		0.680		S	376590A	04
6.250	6.263		1.188		T	380031A	10
6.007	6.020		1.000		T	380065A	10
5.501	5.506		0.562		N	• 415040N	41
5.501	5.506		0.562		S	• 415040	41
5.751	5.756		0.562		S	415045¹	41
6.250	6.256		0.562		S	415058¹	41
5.251	5.256		0.468		S	• 415195	41
5.251	5.256		0.468		N	• 415195N	41
5.376	5.381		0.500		N	• 415196N	41
5.376	5.381		0.500		S	415196¹	41
5.999	6.007		0.625		S	• 415205	41
5.251	5.256		0.625		S	• 415712	41
5.626	5.631		0.500		S	416135¹	41
5.876	5.881		0.625		N	• 416136N	41
5.876	5.881		0.625		S	• 416136	41
5.999	6.005		0.500		S	416137¹	41
5.250	5.256		0.500		S	416556¹	41

SIZE SECTION

¹Redicoat®; ⁴Counter-Clockwise-Spiral Lip Design; ⁶Bi-Directional Lip Design; ¹⁴Spindle Mount; ¹⁸Dynamic Edge; ²¹Inside Diameter Rides On Ball; ; • Non Stock Item - Special Order

Size Section

RADIAL SHAFT SEALS

SIZE SECTION

Seal Width								Seal Width							
Hsg Bore	Seal O.D.	Flanged O.D.	Seal Width	w/Side Lip	Lip Mat'l	Part No.	Type/ Illus.	Hsg Bore	Seal O.D.	Flanged O.D.	Seal Width	w/Side Lip	Lip Mat'l	Part No.	Type/ Illus.
4.250" (4-1/4") SHAFT (cont.)								4.312" (4-5/16") SHAFT (cont.)							
5.500	5.506		0.500		S	416891 ¹	41	6.250	6.256		0.562		N	455059N	45
6.750	6.757		0.625		S	417452	41	6.250	6.256		0.562		S	455059	45
6.126	6.133		0.500		S	417518 ¹	41	5.501	5.506		0.562		S	455197 ¹	45
5.251	5.256		0.375		S	452157SSR	45	5.501	5.506		0.562		N	455197N ¹	45
5.501	5.506		0.562		N	455040N	45	5.999	6.007		0.625		S	455206	45
5.751	5.756		0.562		S	455045	45	5.376	5.381		0.500		S	456141 ¹	45
5.251	5.256		0.468		V	455195V	45	4.331" SHAFT							
5.251	5.256		0.468		S	455195	45				0.448			99434	Redi-Sleeve
5.376	5.381		0.500		N	455196N	45				0.509			99435	Redi-Sleeve
5.999	6.007		0.625		S	455205	45	130,00	130,30		10,00		V	325776 ⁴	32
5.999	6.007		0.625		N	455205N	45	5.118	5.130		0.394				
6.127	6.132		0.625		S	455473	45	170,00	170,18		12,70		S	476518 ¹	47
5.251	5.256		0.625		S	455712	45	6.693	6.700		0.500				
5.251	5.256		0.625		N	455712N	45	130,00	130,15		13,00		T	710552 ⁴	34
5.626	5.631		0.500		S	456135	45	5.118	5.124		0.512				
5.876	5.881		0.625		N	456136N	45	4.374" SHAFT							
5.876	5.881		0.625		V	456136V	45				0.813			99437	Redi-Sleeve
5.250	5.256		0.500		S	456556	45	4.375" (4-3/8") SHAFT							
5.500	5.506		0.500		S	456891	45	5.425	5.383		0.500		S	4291SC	#
5.876	5.881		0.500		V	457661V	45	5.375	5.383		0.500		S	4291	#
5.251	5.256		0.375		S	472157 ¹	47	5.375	5.425		0.500		V	4291V ⁸	#
5.501	5.506		0.562		S	475040	47	6.064	6.071		0.625		S	6635S ¹	45
5.751	5.756		0.562		S	475045	47	5.373	5.500		0.570		V	7354V ⁸	8S
6.250	6.256		0.562		S	475058	47	5.373	5.500		0.570		N	7354N ⁸	8S
5.251	5.256		0.468		N	475195N	47	5.502	5.506		0.500		T	39849 ⁵	FW-H
5.375	5.381		0.500		S	475196	47	6.251	6.257		0.605		S	370019A ¹	06
5.999	6.007		0.625		S	475205	47	6.311	6.317		1.090		S	370034A ¹	03
5.625	5.631		0.500		S	476135	47	5.757	5.763		1.000		S	370037A ¹	03
5.250	5.256		0.500		S	476556	47	5.905	5.911		1.000		S	370048A ¹	03
5.500	5.506		0.500		S	476891	47	5.905	5.910		1.000		S	370182A	08
5.251	5.256		0.375		N	482157N	48	5.757	5.798		0.600		S	370338A	02
5.501	5.506		0.562		S	485040	48	5.905	5.918		1.015		T	380048A	10
5.751	5.756		0.562		S	485045	48	5.751	5.756		0.562		S	415047 ¹	41
6.250	6.256		0.562		S	485058	48	6.250	6.256		0.562		S	415060 ¹	41
5.251	5.256		0.468		S	485195	48	5.501	5.506		0.562		S	415198A	41
5.251	5.256		0.468		H	485195H ¹	48	5.501	5.506		0.562		S	415198	41
5.376	5.381		0.500		S	485196	48	5.999	6.007		0.625		S	415207	41
5.999	6.007		0.625		S	485205	48	5.376	5.381		0.500		V	415425V	41
5.625	5.631		0.500		S	486135	48	5.376	5.381		0.500		S	415425 ¹	41
5.250	5.256		0.500		S	486556	48	6.127	6.132		0.625		S	415573	41
5.500	5.506		0.500		S	486891	48	5.626	5.631		0.500		S	416147 ¹	41
4.252" SHAFT								5.999	6.005		0.500		S	416149 ¹	41
			0.813			99424	Redi-Sleeve	5.500	5.506		0.500		S	416380 ¹	41
6.007	6.040		0.580		T	386590A	13	6.125	6.131		0.500		V	417522V	41
109,00mm (4.291") SHAFT								6.125	6.131		0.500		S	417522 ¹	41
130,00	130,30		12,50		T	711003 ⁴	40	5.751	5.756		0.562		S	455047	45
5.118	5.130		0.492					5.501	5.506		0.562		N	455198N	45
4.312" (4-5/16") SHAFT								5.999	6.007		0.625		S	455207	45
5.999	6.005		0.500		S	416144 ¹	41	6.064	6.071		0.625		S	455861	45
6.250	6.256		0.500		S	417238 ¹	41	6.125	6.131		0.562		S	456150	45
5.751	5.756		0.500		S	417520 ¹	41	5.500	5.506		0.500		S	456380	45
5.751	5.756		0.562		S	455046	45	5.751	5.756		0.562		S	475047	47
								6.250	6.256		0.562		S	475060	47

Size Section

RADIAL SHAFT SEALS



Hsg Bore	Seal O.D.	Seal Flanged O.D.	Seal Width	Width w/Side Lip	Lip Mat'l	Part No.	Type/ Illus.
4.375" (4-3/8") SHAFT (cont.)							
5.501	5.506		0.562		S	• 475198	47
5.999	6.007		0.625		S	• 475207	47
5.999	6.007		0.500		N	• 476149N	47
5.500	5.506		0.500		S	• 476380	47
5.751	5.756		0.562		S	• 485047	48
6.250	6.256		0.562		S	• 485060	48
5.501	5.506		0.562		S	• 485198	48
5.999	6.007		0.625		S	• 485207	48
5.500	5.506		0.500		S	• 486380	48
4.400" SHAFT							
5.235	5.242		0.375		V	710885 ⁴	32
4.409" SHAFT							
			0.750			99438 Redi-Sleeve	
4.437" (4-7/16") SHAFT							
			1.000			99439 Redi-Sleeve	
5.500	5.506		0.500		S	417295 ¹	41
5.751	5.756		0.500		S	417525 ¹	41
5.999	6.007		0.500		S	417526 ¹	41
5.500	5.506		0.562		S	457295¹	25
4.500" (4-1/2") SHAFT							
			0.813			99450 Redi-Sleeve	
5.251	5.259		0.437		S	327303	32
6.000	6.007		0.984		S	370020A ¹	03
6.251	6.265		0.605		S	370021A	11
5.750	5.764		1.000		S	370022A	11
6.622	6.629		1.093		S	370078A ¹	03
6.310	6.316		1.175		S	370086A ¹	03
5.374	5.384		0.884		S	370124A	07
5.876	5.890		0.984		S	370131A	11
5.500	5.515		0.675		S	370178A	07
6.441	6.447		0.937		S	370192A ¹	03
5.750	5.753		1.000		T	380022A	10
5.876	5.889		0.984		T	380131A	10
5.751	5.756		0.562		S	• 415049	41
6.250	6.256		0.562		S	• 415062	41
5.501	5.506		0.562		N	• 415200N	41
5.501	5.506		0.562		V	• 415200V	41
5.999	6.007		0.625		N	• 415209N	41
5.999	6.007		0.625		S	• 415209	41
5.876	5.881		0.625		S	• 415342	41
6.250	6.256		0.500		S	415351¹	41
6.125	6.131		0.562		S	416070¹	41
5.625	5.631		0.500		V	• 416153V	41
5.625	5.631		0.500		S	416153¹	41
5.999	6.007		0.500		S	416154¹	41
5.500	5.506		0.500		S	416888¹	41
5.500	5.507		0.500		V	416888V ¹	41
5.750	5.756		0.500		S	416892¹	41
5.376	5.381		0.437		S	417530 ¹	41
5.876	5.881		0.500		S	417531¹	41
6.374	6.382		0.500		S	417532¹	41
6.250	6.256		0.562		N	• 455062N	45

Hsg Bore	Seal O.D.	Seal Flanged O.D.	Seal Width	Width w/Side Lip	Lip Mat'l	Part No.	Type/ Illus.
4.500" (4-1/2") SHAFT (cont.)							
6.250	6.256		0.562		V	• 455062V	45
5.500	5.506		0.562		S	455200 ¹	45
5.500	5.506		0.562		N	455200N	45
5.500	5.506		0.562		V	• 455200V	45
6.001	6.007		0.625		S	• 455209	45
6.374	6.382		0.625		S	• 455325	45
5.876	5.881		0.625		S	• 455342	45
6.250	6.256		0.500		S	• 455351	45
6.127	6.132		0.562		S	• 455601	45
5.501	5.506		0.500		N	• 456030N	45
6.001	6.007		0.500		S	• 456800	45
5.500	5.506		0.500		V	• 456888V	45
5.500	5.506		0.500		N	• 456888N	45
5.500	5.506		0.500		S	• 456888	45
5.750	5.756		0.500		S	• 456892	45
5.751	5.756		0.562		S	• 475049	47
6.250	6.256		0.562		S	• 475062	47
5.501	5.506		0.562		S	• 475200	47
5.999	6.007		0.625		S	• 475209	47
5.625	5.631		0.500		S	• 476153	47
5.999	6.007		0.500		S	• 476154	47
5.500	5.506		0.500		V	• 476888V	47
5.500	5.506		0.500		S	• 476888	47
5.750	5.756		0.500		S	• 476892	47
5.501	5.507		0.380		S	• 477439	47
5.751	5.756		0.562		S	• 485049	48
6.250	6.256		0.562		S	• 485062	48
5.501	5.506		0.562		S	• 485200	48
5.999	6.007		0.625		S	• 485209	48
5.625	5.631		0.500		S	• 486153	48
5.500	5.506		0.500		S	• 486888	48
5.750	5.756		0.500		S	• 486892	48
4.528" SHAFT							
			0.813			99452 Redi-Sleeve	
135,00	135,20		10,00		V	710258 ⁴	32
5.315	5.323		0.394				
4.562" (4-9/16") SHAFT							
5.751	5.756		0.500		S	417533 ¹	41
5.999	6.007		0.500		S	417534 ¹	41
6.250	6.256		0.500		S	457585 ¹	45
4.625" (4-5/8") SHAFT							
			0.438			99465 Redi-Sleeve	
			1.000			99463 Redi-Sleeve	
6.186	6.192		1.250		S	2505 ¹	89
6.622	6.629		1.093		S	7700S ¹	21
5.999	6.015		0.875		S	370025A ¹⁸	11
6.622	6.629		1.093		S	370051A ¹	03
5.998	6.011		0.937		T	380025A	10
5.998	6.024		0.580		T	386025A	13
6.250	6.256		0.562		S	415064¹	41
6.001	6.007		0.625		S	• 415211	41
5.751	5.756		0.562		N	• 415371N	41

SIZE SECTION

¹Redicoat®; ⁴Counter-Clockwise-Spiral Lip Design; ¹⁸Dynamic Edge; ; • Non Stock Item - Special Order

Size Section

RADIAL SHAFT SEALS

SIZE SECTION

Seal							Seal								
Hsg Bore	Seal O.D.	Flanged O.D.	Seal Width	Width w/Side Lip	Lip Mat'l	Part No.	Type/ Illus.	Hsg Bore	Seal O.D.	Flanged O.D.	Seal Width	Width w/Side Lip	Lip Mat'l	Part No.	Type/ Illus.
4.625" (4-5/8") SHAFT (cont.)							4.750" (4-3/4") SHAFT (cont.)								
5.751	5.756		0.562		S	415371 ¹	41	5.751	5.756		0.562		V	• 415053V	41
5.751	5.756		0.500		S	• 415634	41	5.751	5.756		0.562		N	• 415053N	41
6.125	6.131		0.562		S	• 415970	41	6.250	6.256		0.562		S	415066¹	41
5.625	5.631		0.500		S	416156 ¹	41	5.750	5.756		0.500		N	• 415138N	41
5.999	6.007		0.500		S	416158¹	41	5.750	5.756		0.500		S	415138¹	41
6.250	6.256		0.500		S	• 417246	41	5.999	6.007		0.625		S	• 415213	41
6.250	6.256		0.562		S	• 455064	45	5.999	6.007		0.625		N	415213N ¹	41
5.751	5.756		0.562		N	• 455371N	45	6.250	6.256		0.500		S	• 416866	41
5.875	5.881		0.625		S	455685	45	6.001	6.007		0.500		S	417247¹	41
5.875	5.881		0.625		N	• 455685N	45	6.125	6.131		0.500		S	417252¹	41
5.500	5.506		0.562		H	• 456641HCR	45	5.876	5.881		0.500		S	417538¹	41
5.500	5.506		0.562		H	456641 ¹	45	5.876	5.881		0.500		V	• 417538V	41
6.250	6.256		0.562		S	• 475064	47	5.751	5.757		0.562		N	• 455053N	45
5.999	6.007		0.625		S	• 475211	47	5.750	5.757		0.562		V	• 455053V	45
5.751	5.756		0.562		S	• 475371	47	6.250	6.256		0.562		S	• 455066	45
5.999	6.007		0.500		S	• 476158	47	5.750	5.756		0.500		N	• 455138N	45
6.250	6.256		0.562		S	• 485064	48	5.750	5.756		0.500		S	• 455138	45
5.999	6.007		0.625		S	• 485211	48	5.876	5.881		0.625		S	• 455233	45
5.751	5.756		0.562		S	• 485371	48	6.127	6.132		0.625		S	• 455258	45
4.635" SHAFT							4.750" (4-3/4") SHAFT (cont.)								
6.007	6.014		0.937		S	370026A ¹	03	6.125	6.131		0.562		S	• 456160	45
4.646" SHAFT							6.001	6.007		0.500		S	• 457247	45	
5.751	5.756		0.500		T	39952 ⁴	FW-H	6.001	6.007		0.500		N	• 457247N	45
<i>173,00</i>	<i>173,80</i>		<i>28,00</i>		S	710089	90	5.751	5.756		0.562		S	• 475053	47
6.811	6.843		1.102					6.250	6.256		0.562		S	• 475066	47
5.748	5.762		0.750		T	710901 ⁵	32	5.750	5.756		0.500		S	• 475138	47
4.687" (4-11/16") SHAFT							5.999	6.007		0.625		S	• 475213	47	
			0.812			99468 Redi-Sleeve		6.001	6.007		0.500		S	• 477247	47
5.751	5.756		0.750		S	6329S	7S	5.751	5.756		0.562		S	• 485053	48
6.002	6.007		0.250		S	45637S	4S	6.250	6.256		0.562		S	• 485066	48
5.751	5.756		0.500		S	415284 ¹	41	5.750	5.756		0.500		S	• 485138	48
5.999	6.007		0.500		S	417535 ¹	41	5.751	5.756		0.500		V	• 485138V	48
6.250	6.256		0.500		S	417536 ¹	41	5.999	6.007		0.625		S	• 485213	48
6.374	6.382		0.500		S	417537 ¹	41	6.001	6.007		0.500		S	• 487247	48
5.751	5.756		0.562		N	• 455378N	45	6.000	6.006		0.500		V	• 487250V	48
6.001	6.007		0.280		S	• 487806	48	5.751	5.756		0.500		V	714750 ¹	48
4.688" SHAFT							4.765" SHAFT								
6.001	6.007		0.280		S	• 487806BXR	48	6.311	6.325		1.078		S	370003A ¹⁸	11
4.724" SHAFT							6.251	6.265		0.605		S	370005A	11	
			0.315			99471 Redi-Sleeve		6.999	7.006		1.250		S	370006A ¹	03
			0.787			99473 Redi-Sleeve		6.250	6.257		1.050		S	370173A ¹	01
5.906	5.920		0.590		S	370220A	11	5.999	6.006		1.031		S	370181A ¹	01
<i>140,00</i>	<i>140,21</i>		<i>10,50</i>		S	710084	47	6.309	6.322		1.132		T	380003A	10
5.512	5.520		0.413					4.803" SHAFT							
<i>140,00</i>	<i>140,25</i>		<i>12,00</i>		S	717004	48				0.787			99472 Redi-Sleeve	
5.512	5.522		0.472					4.812" (4-13/16") SHAFT							
4.750" (4-3/4") SHAFT							5.544	5.552		0.535		H	3341 ^{1,4}	100	
			0.500			99475 Redi-Sleeve		6.500	6.507		0.865		S	370004A ¹	03
6.186	6.192		1.250		S	3100 ¹	89	6.311	6.316		1.062		S	370027A ¹	03
6.618	6.625		1.141		S	6663S	89	5.999	6.007		0.500		S	416163¹	41
6.002	6.092		0.285		S	200642 ⁹	200	6.250	6.256		0.562		S	• 455067	45
							5.999	6.007		0.625		S	• 455214	45	
							5.751	5.756		0.562		H	455251H ¹	45	

Size Section

RADIAL SHAFT SEALS



Hsg Bore	Seal		Width		Lip Mat'l	Part No.	Type/ Illus.
	Seal O.D.	Flanged O.D.	Seal Width	w/Side Lip			
4.812" (4-13/16") SHAFT (cont.)							
5.751	5.756		0.562		N	• 455251N	45
5.751	5.756		0.562		S	• 455251	45
6.499	6.507		0.625		S	• 455614	45
6.250	6.256		0.500		S	456890 ¹	45
5.999	6.007		0.500		S	• 476163	47
5.543	5.551		0.472		V	712449 ⁴	32
4.835" SHAFT							
5.749	5.756		0.375		T	39954 ⁴	DW-H
4.875" (4-7/8") SHAFT							
			0.625			99487 Redi-Sleeve	
6.375	6.625		0.500		S	7866S	75
6.373	6.379		0.921		S	370007A ¹	03
6.437	6.444		0.921		S	370057A ¹	03
6.622	6.629		1.000		S	370109A ¹	03
6.500	6.506		1.000		S	370121A ¹	03
6.250	6.256		0.562		N	• 415068N	41
5.999	6.007		0.625		S	• 415091	41
5.999	6.007		0.500		N	• 416167N	41
5.999	6.007		0.500		S	416167¹	41
6.000	6.006		0.562		S	• 416621	41
6.000	6.006		0.562		N	• 416621N	41
6.125	6.131		0.500		S	417267¹	41
6.250	6.256		0.500		S	417269¹	41
6.250	6.256		0.562		N	• 455068N	45
5.999	6.007		0.625		S	455091	45
6.127	6.132		0.625		S	• 455217	45
5.999	6.007		0.500		S	• 456167	45
6.125	6.131		0.562		S	• 456168	45
6.000	6.006		0.562		V	• 456621V	45
6.250	6.256		0.562		S	• 475068	47
5.999	6.007		0.625		S	• 475091	47
6.250	6.256		0.562		S	• 485068	48
5.999	6.007		0.625		S	• 485091	48
5.999	6.007		0.500		S	• 486167	48
5.750	5.756		0.500		V	• 487063V	48
4.882" SHAFT							
6.001	6.011		0.625		S	370195A	11
146,00	146,10		14,00		S	710405	47
5.748	5.752		0.551				
4.921" SHAFT							
			0.394			99490 Redi-Sleeve	
			1.024			99492 Redi-Sleeve	
150,00	150,28		12,00		S	231250	35
5.906	5.917		0.472				
4.937" (4-15/16") SHAFT							
6.250	6.256		0.500		S	417273¹	41
5.999	6.007		0.500		S	417539¹	41
6.374	6.382		0.500		S	417540¹	41
6.250	6.256		0.562		S	• 455069	45
6.374	6.382		0.625		S	• 455247	45
6.131	6.136		0.562		S	• 455591	45

Hsg Bore	Seal		Width		Lip Mat'l	Part No.	Type/ Illus.
	Seal O.D.	Flanged O.D.	Seal Width	w/Side Lip			
4.993" SHAFT (cont.)							
6.000	6.006		0.413		T	39881 ⁴	FW-H
5.000" (5-3/32") SHAFT							
			0.688			99498 Redi-Sleeve	
			0.813			99499 Redi-Sleeve	
			0.813			99501 Redi-Sleeve	
5.751	5.756		0.500		V	3492V ¹	48
6.997	7.003		1.093		V	• 4144VGR	41
6.622	6.629		0.906		S	8126S ¹	89
6.000	6.006		0.413		T	39801 ⁴	FW-H
5.999	6.006		0.413		T	39880 ⁴	94
6.125	6.131		0.500		T	39958 ⁴	FW-H
6.250	6.256		0.250		S	204509	204
5.999	6.007		0.937		S	215271	21
6.250	6.256		1.375		S	370028A ¹	01
7.437	7.444		0.605		S	370038A ^{1,6}	06
6.250	6.256		0.605		S	370063A ¹	06
6.622	6.629		1.093		S	370166A ¹	03
6.250	6.256		0.562		N	• 415070N	41
6.250	6.256		0.562		V	• 415070V	41
6.250	6.256		0.562		S	• 415070	41
5.999	6.007		0.625		N	• 415271N	41
5.999	6.007		0.625		S	• 415271	41
6.374	6.382		0.625		S	• 415312	41
6.499	6.507		0.625		S	• 415377	41
7.500	7.507		0.562		S	• 415460	41
7.500	7.507		0.562		N	• 415460N	41
6.001	6.007		0.500		N	• 415725N	41
6.001	6.007		0.500		S	415725¹	41
6.877	6.884		0.625		S	415897 ¹	41
6.877	6.884		0.625		N	• 415897N	41
7.000	7.008		0.625		S	• 416176	41
6.251	6.256		0.500		N	• 416865N	41
6.250	6.256		0.500		S	416865¹	41
6.250	6.256		0.500		V	416865V ¹	41
6.375	6.381		0.500		S	417278¹	41
6.499	6.507		0.500		S	417541¹	41
6.749	6.757		0.500		S	417542¹	41
6.874	6.882		0.500		V	• 417543V	41
6.874	6.882		0.500		S	417543 ¹	41
7.000	7.007		0.500		S	417544¹	41
7.500	7.507		0.500		S	417545¹	41
6.126	6.131		0.562		S	417584 ¹	41
6.250	6.256		0.562		S	455070	45
6.250	6.256		0.562		V	• 455070V	45
5.999	6.007		0.625		N	• 455271N	45
6.001	6.007		0.625		V	• 455271V	45
6.250	6.256		0.625		S	455285	45
6.374	6.382		0.625		V	• 455312V	45
6.374	6.382		0.625		S	• 455312	45
6.749	6.757		0.625		S	• 455318	45
7.500	7.507		0.562		S	• 455460	45
6.001	6.007		0.500		S	• 455725	45
6.001	6.007		0.500		N	• 455725N	45
6.250	6.256		0.500		N	456865N	45

SIZE SECTION

¹Redicoat®; ⁴Counter-Clockwise-Spiral Lip Design; ⁶Bi-Directional Lip Design; ; • Non Stock Item - Special Order

Size Section

RADIAL SHAFT SEALS

SIZE SECTION

Hsg Bore	Seal O.D.	Seal Flanged O.D.	Seal Width	Width w/Side Lip	Lip Mat'l	Part No.	Type/Illus.
5.000" (5-3/32") SHAFT (cont.)							
6.250	6.256		0.500		S	• 456865	45
6.250	6.256		0.500		V	• 456865V	45
6.375	6.381		0.500		S	• 457278	45
6.250	6.256		0.562		N	• 475070N	47
6.250	6.256		0.562		S	• 475070	47
5.999	6.007		0.625		S	• 475271	47
5.999	6.007		0.500		S	• 475725	47
5.999	6.007		0.500		N	• 475725N	47
6.250	6.256		0.500		S	• 476865	47
6.375	6.381		0.500		S	• 477278	47
6.250	6.256		0.562		S	• 485070	48
5.999	6.007		0.625		S	• 485271	48
6.001	6.007		0.500		S	• 485725	48
6.250	6.256		0.500		S	• 486865	48
6.375	6.381		0.500		S	• 487278	48
146,00	146,30		10,00		N	710458	47
5.748	5.760		0.394				
5.039" SHAFT							
5.920	5.925		0.850		T	710473	32
5.062" SHAFT							
6.374	6.382		0.625		S	455290 ¹	45
7.874	7.881		0.500		S	• 476519	47
5.118" SHAFT							
			0.750			99494 Redi-Sleeve	
150,00	150,44		14,80		T	39805 ⁴	FW-H
5.906	5.923		0.583				
150,00	150,30		10,00		N	710556	47
5.906	5.917		0.394				
5.121" SHAFT							
			0.866			99491 Redi-Sleeve	
5.125" (5-1/8") SHAFT							
			0.813			99513 Redi-Sleeve	
6.125	6.131		0.750		H	8971H ¹	7S
6.374	6.382		0.625		S	• 415071	41
6.499	6.507		0.625		S	• 415495	41
6.874	6.882		0.625		N	• 416049N	41
6.125	6.131		0.562		S	• 416172	41
6.250	6.256		0.562		N	• 416173N	41
6.250	6.256		0.562		S	• 416173	41
6.125	6.131		0.500		S	416557¹	41
6.877	6.884		0.625		S	• 416977	41
6.250	6.256		0.500		S	417258¹	41
6.374	6.382		0.500		S	417546¹	41
6.499	6.507		0.500		S	417547¹	41
6.376	6.382		0.625		N	• 455071N	45
6.499	6.507		0.625		S	• 455495	45
6.251	6.256		0.562		S	• 455824	45
6.125	6.131		0.500		V	• 456557V	45
6.125	6.131		0.500		V	456557 ¹	45
6.375	6.381		0.625		S	• 456830	45
6.250	6.256		0.562		S	• 476173	47

Hsg Bore	Seal O.D.	Seal Flanged O.D.	Seal Width	Width w/Side Lip	Lip Mat'l	Part No.	Type/Illus.
5.125" (5-1/8") SHAFT (cont.)							
6.250	6.256		0.562		V	• 476173V	47
5.187" (5-3/16") SHAFT							
6.499	6.507		0.500		S	417548 ¹	41
6.499	6.507		0.625		N	• 455494N	45
6.500	6.507		0.625		H	455956H ¹	45
6.500	6.507		0.625		N	• 455956N	45
5.250" (5-1/4") SHAFT							
			0.813			99525 Redi-Sleeve	
7.375	7.386		1.000		S	370069A ¹	03
7.375	7.385		1.010		T	380069A	10
6.499	6.507		0.625		N	• 415104N	41
6.499	6.507		0.625		S	• 415104	41
6.500	6.507		0.562		S	415645¹	41
6.250	6.256		0.500		V	417262V ¹	41
6.250	6.256		0.500		S	417262¹	41
6.375	6.381		0.500		S	417358¹	41
6.625	6.632		0.562		S	417359¹	41
6.750	6.757		0.500		S	417549¹	41
6.250	6.256		0.250		S	447060	44
6.499	6.507		0.625		S	455104	45
6.750	6.757		0.625		S	• 455395	45
6.250	6.256		0.562		V	• 455448V	45
6.250	6.256		0.562		N	• 455448N	45
6.250	6.256		0.562		S	455448	45
6.500	6.507		0.562		S	• 455645	45
6.250	6.256		0.625		N	• 455799N	45
6.250	6.256		0.500		S	• 457262	45
6.250	6.256		0.500		N	• 457262N	45
6.375	6.381		0.500		S	• 457358	45
6.625	6.632		0.562		S	• 457359	45
6.500	6.507		0.562		S	• 457645	47
6.250	6.256		0.500		S	• 477262	47
6.375	6.381		0.500		S	• 477358	47
6.625	6.632		0.562		S	• 477359	47
6.500	6.507		0.562		S	• 485645	48
6.250	6.256		0.500		S	• 487262	48
6.375	6.381		0.500		S	• 487358	48
6.625	6.632		0.562		S	• 487359	48
5.311" SHAFT							
			0.807			99533 Redi-Sleeve	
5.312" (5-5/16") SHAFT							
6.500	6.507		0.500		S	417550¹	41
6.499	6.507		0.625		S	• 455464	45
5.356" SHAFT							
6.500	6.507		0.562		S	• 455942	45
5.375" (5-3/8") SHAFT							
			0.813			99537 Redi-Sleeve	
6.875	6.882		1.000		S	3292 ¹	89
6.624	6.632		0.625		V	• 415105V	41
6.749	6.757		0.625		S	• 415140	41

Size Section

RADIAL SHAFT SEALS



Hsg Bore	Seal O.D.	Seal Flanged O.D.	Seal Width	Width w/Side Lip	Lip Mat'l	Part No.	Type/ Illus.
5.375" (5-3/8") SHAFT (cont.)							
6.499	6.507		0.625		N	• 415461N	41
6.499	6.507		0.625		S	• 415461	41
6.624	6.632		0.562		S	415938¹	41
7.874	7.881		0.750		S	416112 ¹	41
7.874	7.881		0.750		N	• 416112N	41
6.374	6.380		0.500		S	417551¹	41
6.749	6.757		0.500		S	417554¹	41
6.624	6.632		0.625		N	• 455105N	45
6.749	6.757		0.625		S	• 455140	45
6.500	6.507		0.625		N	• 455461N	45
6.499	6.507		0.625		S	• 455461	45
6.499	6.507		0.562		S	455576¹	45
6.624	6.632		0.562		S	• 455938	45
7.874	7.881		0.750		S	• 456112	45
7.873	7.881		0.750		N	• 456112N	45
6.374	6.382		0.625		S	• 456174	45
5.428" SHAFT							
6.500	6.505		0.420		S	710425	230
138,00mm (5.433") SHAFT							
<i>152,00</i>	<i>152,30</i>		<i>12,00</i>		S	710421	47
5.984	5.996		0.472				
5.437" (5-7/16") SHAFT							
6.749	6.757		0.625		L	55357	5L
5.500" (5-1/2") SHAFT							
6.312	6.316		1.250		S	6872S	47
7.624	7.631		1.250		S	8635S	21
7.437	7.444		1.000		S	370039A ^{1,6}	03
7.125	7.132		1.187		S	370043A ^{1,22}	03
7.250	7.256		1.187		S	370120A ¹	03
6.749	6.756		0.625		V	415073V ¹	41
6.749	6.756		0.625		S	• 415073	41
6.749	6.756		0.625		N	• 415073N	41
6.499	6.507		0.625		S	• 415273	41
6.499	6.507		0.625		N	• 415273N	41
7.000	7.007		0.625		S	415610 ¹	41
6.750	6.758		0.575		S	416107¹	41
6.750	6.758		0.575		V	• 416107V	41
6.624	6.631		0.625		S	• 416189	41
6.874	6.882		0.625		S	• 416190	41
7.125	7.133		0.625		S	416191 ¹	41
8.000	8.009		0.750		S	• 416196	41
6.500	6.507		0.562		N	• 417254N	41
6.500	6.507		0.562		S	417254¹	41
6.625	6.632		0.562		S	417360¹	41
6.875	6.882		0.562		S	417361¹	41
6.749	6.757		0.625		S	455073 ¹	45
6.749	6.756		0.500		V	• 455215V	45
6.499	6.507		0.625		V	• 455273VG0	45
6.499	6.507		0.625		S	• 455273	45
6.499	6.507		0.625		N	• 455273N	45
6.499	6.507		0.625		V	• 455273V	45
7.876	7.883		0.750		S	• 455661	45

Hsg Bore	Seal O.D.	Seal Flanged O.D.	Seal Width	Width w/Side Lip	Lip Mat'l	Part No.	Type/ Illus.
5.500" (5-1/2") SHAFT (cont.)							
6.750	6.758		0.575		S	• 456107	45
6.624	6.631		0.625		S	• 456189	45
6.874	6.882		0.625		S	• 456190	45
6.875	6.882		0.625		N	• 456190N	45
7.500	7.507		0.562		S	456192 ¹	45
7.500	7.507		0.562		N	• 456192N	45
6.500	6.507		0.562		S	• 457254	45
6.625	6.632		0.562		S	• 457360	45
6.875	6.882		0.562		S	• 457361	45
6.750	6.757		0.500		S	• 475638	47
6.750	6.757		0.575		S	• 476107	47
6.250	6.257		0.500		S	476842 ¹	47
6.500	6.507		0.562		S	• 477254	47
6.625	6.632		0.562		S	• 477360	47
6.875	6.882		0.562		S	• 477361	47
7.248	7.255		0.656		N	• 485869N	48
6.750	6.757		0.575		S	• 486107	48
6.500	6.507		0.562		S	• 487254	48
6.625	6.632		0.562		S	• 487360	48
6.875	6.882		0.562		S	• 487361	48
5.502" SHAFT							
			0.518			99550	Redi-Sleeve
			0.812			99549	Redi-Sleeve
5.512" SHAFT							
			0.807			99552	Redi-Sleeve
<i>170,00</i>	<i>170,10</i>		<i>14,00</i>		S	710406	47
6.693	6.697		0.551				
5.625" (5-5/8") SHAFT							
			0.875			99560	Redi-Sleeve
7.186	7.194		0.906		S	370064A ¹	03
6.625	6.631		0.625		N	• 415487N	41
6.625	6.631		0.625		S	• 415487	41
6.625	6.631		0.500		S	• 415920	41
7.125	7.131		0.500		S	417040¹	41
6.624	6.631		0.500		S	417555¹	41
6.874	6.882		0.500		S	417556 ¹	41
6.874	6.882		0.500		V	• 417556V	41
6.750	6.757		0.500		V	• 417942V	41
6.624	6.631		0.625		S	• 455487	45
6.624	6.631		0.625		N	• 455487N	45
7.125	7.133		0.625		S	• 455652	45
7.500	7.508		0.562		S	• 456199	45
5.640" SHAFT							
7.501	7.507		0.605		S	370119A ¹	06
5.709" SHAFT							
			0.750			99571	Redi-Sleeve
<i>164,00</i>	<i>164,10</i>		<i>14,00</i>		S	710369	47
6.457	6.461		0.551				
5.730" SHAFT							
			0.563			99562	Redi-Sleeve

SIZE SECTION

¹Redicoat®; ⁶Bi-Directional Lip Design; ²²370043A; ; • Non Stock Item - Special Order

Size Section

RADIAL SHAFT SEALS

SIZE SECTION

Hsg Bore	Seal O.D.	Seal Flanged O.D.	Seal Width	Width w/Side Lip	Lip Mat'l	Part No.	Type/ Illus.
5.748" SHAFT (cont.)							
			0.813			99575	Redi-Sleeve
5.750" (5-3/4") SHAFT							
6.749	6.756		0.625		S	• 415363	41
6.624	6.632		0.625		S	415447 ¹	41
7.874	7.881		0.750		S	416029 ¹	41
7.874	7.881		0.750		N	416029N¹	41
7.500	7.508		0.562		S	416039¹	41
6.874	6.882		0.625		S	• 416214	41
7.125	7.133		0.625		S	• 416215	41
7.001	7.008		0.562		S	416666¹	41
7.001	7.008		0.562		V	• 416666V	41
6.750	6.757		0.575		V	• 417362V	41
6.750	6.757		0.575		S	417362¹	41
6.875	6.882		0.562		S	417363¹	41
7.125	7.132		0.562		S	417364¹	41
7.000	7.008		0.625		S	• 455107	45
7.000	7.008		0.625		N	• 455107N	45
7.000	7.008		0.625		S	• 455107RB	45
7.000	7.008		0.625		V	• 455107V	45
6.749	6.757		0.625		S	• 455363	45
7.875	7.883		0.750		S	• 455618	45
7.500	7.508		0.562		S	• 456039	45
7.500	7.508		0.562		N	• 456039N	45
6.874	6.882		0.625		S	• 456214	45
7.125	7.133		0.625		S	• 456215	45
7.001	7.008		0.562		S	• 456666	45
6.750	6.757		0.562		S	• 457362	45
6.875	6.882		0.562		S	• 457363	45
7.125	7.132		0.562		S	• 457364	45
7.500	7.506		0.500		S	• 457557	45
7.001	7.008		0.562		S	• 476666	47
6.750	6.757		0.575		S	• 477362	47
6.875	6.882		0.562		S	• 477363	47
7.125	7.132		0.562		S	• 477364	47
7.001	7.008		0.562		S	• 486666	48
6.750	6.757		0.575		S	• 487362	48
6.875	6.882		0.562		S	• 487363	48
7.125	7.132		0.562		S	• 487364	48
5.875" (5-7/8") SHAFT							
			1.000			99587	Redi-Sleeve
8.001	8.007		0.750		S	3016	45
7.125	7.133		0.625		S	• 415075	41
7.125	7.133		0.625		N	• 415075N	41
7.125	7.133		0.500		S	416476¹	41
7.125	7.133		0.625		S	455075	45
7.500	7.508		0.562		S	455297 ¹	45
7.125	7.131		0.500		N	• 456476N	45
5.906" (5-29/32") SHAFT							
			1.024			99595	Redi-Sleeve
5.937" (5-15/16") SHAFT							
6.801	6.806	9.031	1.125		S	8907	#
7.502	7.508		0.562		S	417780 ¹	41

Hsg Bore	Seal O.D.	Seal Flanged O.D.	Seal Width	Width w/Side Lip	Lip Mat'l	Part No.	Type/ Illus.
5.938" SHAFT (cont.)							
			1.000			99596	Redi-Sleeve
5.997" SHAFT							
7.125	7.131		0.500		T	39956 ⁴	DW-H
5.999" SHAFT							
			0.500			99601	Redi-Sleeve
6.000" (6-3/32") SHAFT							
			1.000			99599	Redi-Sleeve
6.750	6.757		0.500		V	2297V ⁴	25
7.475	7.481		0.590		T	39715 ⁴	#
6.750	6.756		0.437		T	39807 ⁴	W-H
6.750	6.757		0.625		T	39823 ⁵	DW-H
7.875	7.881		0.605		S	370077A ¹	06
7.500	7.508		0.562		V	• 415072V	41
7.500	7.508		0.562		S	415072¹	41
7.000	7.007		0.500		S	415683¹	41
7.000	7.008		0.625		N	• 416055N	41
7.000	7.008		0.625		S	• 416055	41
7.125	7.133		0.625		S	• 416219	41
7.125	7.133		0.625		N	• 416219N	41
7.125	7.132		0.562		S	417365¹	41
7.001	7.008		0.625		V	456055 ¹	45
7.001	7.008		0.625		N	• 456055N	45
7.001	7.008		0.625		V	• 456055V	45
7.125	7.133		0.625		N	• 456219N	45
7.125	7.132		0.562		S	• 457365	45
7.501	7.508		0.562		S	• 475072	47
7.125	7.132		0.562		S	• 477365	47
7.501	7.508		0.562		S	• 485072	48
7.125	7.132		0.562		S	• 487365	48
6.063" SHAFT							
			1.024			99605	Redi-Sleeve
175,00	175,10		13,00		S	710052	47
6.890	6.894		0.512				
172,00	172,10		14,00		S	710083	47
6.772	6.776		0.551				
175,00	175,30		13,50		V	710766	74
6.890	6.902		0.531				
6.077" SHAFT							
7.329	7.336		0.445		T	39889 ⁴	W-H
7.329	7.336		0.445		T	39890 ⁵	W-H
6.102" SHAFT							
			1.024			99606	Redi-Sleeve
6.125" (6-1/8") SHAFT							
7.500	7.508		0.562		S	415074 ¹	41
7.125	7.133		0.625		S	455330 ¹	45
7.627	7.633		0.625		S	457874 ¹	45
6.187" (6-3/16") SHAFT							
7.250	7.258		0.734		S	417921 ¹	41
7.500	7.507		0.562		N	455583N ¹	45

Size Section

RADIAL SHAFT SEALS



Hsg Bore	Seal O.D.	Seal Flanged O.D.	Seal Width	Width w/Side Lip	Lip Mat'l	Part No.	Type/ Illus.
6.198" SHAFT (cont.)							
7.329	7.336		0.354		T	39885 ⁴	FW-H
7.329	7.336		0.445		T	39888 ⁴	FW-H
6.202" SHAFT							
7.329	7.336		0.377		T	39886 ⁴	DW-H
6.203" SHAFT							
			0.813			99620	Redi-Sleeve
6.204" SHAFT							
7.328	7.336		0.562		H	2628 ¹	64
7.330	7.336		0.445		T	39887 ⁵	FW-H
6.238" SHAFT							
8.655	8.661		1.100		T	39883 ⁴	90
6.250" (6-1/4") SHAFT							
			1.031			99625	Redi-Sleeve
7.875	7.881		0.750		S	415854 ¹	41
7.750	7.758		0.500		S	417562 ¹	41
7.500	7.508		0.562		S	455480 ¹	45
7.500	7.508		0.562		V	455480V	45
6.299" SHAFT							
			1.000			99630	Redi-Sleeve
6.375" (6-3/8") SHAFT							
7.875	7.883		0.500		S	417563 ¹	41
6.438" SHAFT							
7.563	7.567		0.500		F	5M466	#
6.496" SHAFT							
			1.000			99650	Redi-Sleeve
9.600	9.606		0.540		T	39861 ⁴	#
6.500" (6-1/2") SHAFT							
8.000	8.007		0.625		T	41509 ⁵	PDW
8.000	8.007		0.625		T	41510 ⁴	PDW
7.500	7.508		0.562		S	415294 ¹	41
8.000	8.009		0.625		S	416229 ¹	41
7.500	7.508		0.562		S	455294	45
6.625" (6-5/8") SHAFT							
9.615	9.622		0.979		V	4354V ¹	#
8.007	8.014		0.605		S	• 370149A	#
8.125	8.134		0.625		S	417298 ¹	41
6.693" SHAFT							
			1.250			99640	Redi-Sleeve
6.750" (6-3/4") SHAFT							
			0.813			99675	Redi-Sleeve
8.000	8.009		0.625		S	415327 ¹	41
8.500	8.509		0.625		S	416008 ¹	41
8.007	8.017		0.625		S	416362	41
8.250	8.257		0.562		S	417596 ¹	41
6.775" SHAFT							
7.875	7.880		0.360		S	710562	230

Hsg Bore	Seal O.D.	Seal Flanged O.D.	Seal Width	Width w/Side Lip	Lip Mat'l	Part No.	Type/ Illus.
6.875" (6-7/8") SHAFT (cont.)							
8.375	8.382		0.625		S	455584 ¹	45
7.875	7.883		0.625		S	455948 ¹	45
6.885" SHAFT							
			1.102			99687	Redi-Sleeve
7.000" (7-3/32") SHAFT							
			1.000			99700	Redi-Sleeve
9.313	9.321		0.625		S	415876 ¹	41
9.313	9.321		0.625		V	415876V ¹	41
8.500	8.509		0.625		S	416239 ¹	41
8.500	8.509		0.625		V	• 416239V	41
8.000	8.009		0.625		S	416364 ¹	41
8.375	8.382		0.750		V	416674V ¹	41
8.375	8.382		0.625		S	417255 ¹	41
8.750	8.759		0.625		S	417564 ¹	41
8.250	8.257		0.625		S	417597 ¹	41
8.377	8.384		0.750		S	• 456724	45
7.087" SHAFT							
			1.300			99721	Redi-Sleeve
7.125" (7-1/8") SHAFT							
8.625	8.632		0.562		S	416077 ¹	41
7.249" SHAFT							
			1.250			99725	Redi-Sleeve
7.250" (7-1/4") SHAFT							
8.125	8.133		0.500		T	39701 ⁴	FW-H
8.750	8.758		0.605		S	370175A ¹	06
8.750	8.759		0.750		S	415116 ¹	41
8.250	8.257		0.625		S	416044 ¹	41
7.375" (7-3/8") SHAFT							
9.615	9.622		0.979		V	4353 ¹	#
9.000	9.010		0.750		S	415317	41
8.875	8.882		0.750		S	455117 ¹	45
7.449" SHAFT							
			0.813			99745	Redi-Sleeve
7.500" (7-1/2") SHAFT							
			0.813			99750	Redi-Sleeve
9.000	9.010		0.750		S	415551 ¹	41
9.000	9.010		0.750		V	415551V ¹	41
8.500	8.509		0.625		S	415867 ¹	41
9.243	9.250		0.625		S	417283 ¹	41
10.500	10.510		0.750		S	417385 ¹	41
8.500	8.509		0.625		V	455867V ¹	45
7.625" (7-5/8") SHAFT							
8.625	8.632		0.562		S	416102 ¹	41
9.125	9.133		0.625		S	417598 ¹	41
9.125	9.133		0.625		V	417598V ¹	41
7.750" (7-3/4") SHAFT							
10.000	10.008		0.750		S	417115 ¹	41

SIZE SECTION

¹Redicoat®; ⁴Counter-Clockwise-Spiral Lip Design; ⁵Clockwise-Spiral Lip Design; ; • Non Stock Item - Special Order

Size Section

RADIAL SHAFT SEALS

SIZE SECTION

Hsg Bore	Seal O.D.	Seal Flanged O.D.	Seal Width	Width w/Side Lip	Lip Mat'l	Part No.	Type/ Illus.
7.750" (7-3/4") SHAFT (cont.)							
9.250	9.260		0.625		S	455406	45
7.874" SHAFT							
			1.359			99787 Redi-Sleeve	
7.875" (7-7/8") SHAFT							
10.000	10.008		0.625		S	417016 ¹	41
9.375	9.383		0.750		S	455121 ¹	45
9.375	9.383		0.750		V	455121V ¹	45
7.995" SHAFT							
11.625	11.633		1.078		S	8724S ¹	41
8.000" (8-3/32") SHAFT							
			1.000			99800 Redi-Sleeve	
10.125	10.133		0.750		S	415052 ¹	41
9.000	9.010		0.750		S	415656 ¹	41
9.250	9.258		0.625		S	417600 ¹	41
9.500	9.508		0.625		S	417601 ¹	41
10.000	10.008		0.625		S	417602 ¹	41
8.125" (8-1/8") SHAFT							
10.125	10.130		0.750		S	455123 ¹	45
8.250" (8-1/4") SHAFT							
10.250	10.260		0.750		S	415124 ¹	41
11.500	11.507		0.750		S	416422 ¹	41
10.625	10.633		0.750		S	416951 ¹	41
9.250	9.258		0.625		S	455475 ¹	45
8.375" (8-3/8") SHAFT							
10.375	10.385		0.625		S	417022 ¹	41
8.500" (8-1/2") SHAFT							
10.625	10.633		0.750		S	416394 ¹	41
10.000	10.008		0.625		S	417603 ¹	41
10.500	10.508		0.625		S	417604 ¹	41
9.500	9.509		0.625		V	455828V ¹	45
8.625" (8-5/8") SHAFT							
10.625	10.635		0.750		S	417567 ¹	41
8.750" (8-3/4") SHAFT							
10.750	10.758		0.750		S	415128 ¹	41
10.500	10.510		0.750		S	455966 ¹	45
8.875" (8-7/8") SHAFT							
10.122	10.130		0.750		S	416657 ¹	41
10.875	10.885		0.750		S	455129 ¹	45
9.000" (9-3/32") SHAFT							
10.376	10.384		0.625		S	2791 ¹	33
10.000	10.010		0.750		S	55301S ¹	45
11.000	11.008		0.750		S	415090 ¹	41
10.088	10.095		0.625		S	417940	41
10.500	10.510		0.750		S	455462 ¹	45
10.250	10.260		0.750		S	455476	45
10.375	10.384		0.625		S	456462 ¹	45

Hsg Bore	Seal O.D.	Seal Flanged O.D.	Seal Width	Width w/Side Lip	Lip Mat'l	Part No.	Type/ Illus.
9.052" SHAFT (cont.)							
10.709	10.720		0.625		T	39893 ⁴	FW-H
10.709	10.720		0.625		T	39894 ⁵	FW-H
9.250" (9-1/4") SHAFT							
10.250	10.258		0.500		N	337426N ¹	33
11.250	11.260		0.750		S	415219 ¹	41
11.000	11.008		0.750		S	416257 ¹	41
9.375" (9-3/8") SHAFT							
11.375	11.385		0.750		S	415871 ¹	41
9.500" (9-1/2") SHAFT							
12.499	12.509		0.687		S	9555S ¹	74
11.500	11.508		0.625		S	417606	41
9.625" (9-5/8") SHAFT							
12.750	12.758		1.250		S	416381 ¹	41
9.750" (9-3/4") SHAFT							
11.250	11.260		0.750		S	55078S ¹	5S
10.000" (10-3/32") SHAFT							
12.000	12.008		0.625		S	417020 ¹	41
11.000	11.008		0.625		S	417605 ¹	41
10.250" (10-1/4") SHAFT							
12.250	12.260		0.750		S	417570 ¹	41
10.500" (10-1/2") SHAFT							
12.500	12.508		1.000		S	415227 ¹	41
12.000	12.008		0.625		S	457997 ¹	45
10.750" (10-3/4") SHAFT							
13.374	13.381		1.250		S	416383 ¹	41
11.000" (11-3/32") SHAFT							
13.000	13.010		0.750		S	415482 ¹	41
12.500	12.510		0.625		S	417571 ¹	41
11.220" SHAFT							
12.250	12.260		0.945		T	39899 ⁴	#
12.250	12.260		0.945		T	39900 ⁵	#
11.500" (11-1/2") SHAFT							
13.500	13.508		0.750		S	415076 ¹	41
13.000	13.010		0.750		S	415077 ¹	41
11.586" SHAFT							
13.687	13.703		0.562		S	711000	230
12.000" (12-3/32") SHAFT							
14.000	14.010		0.750		S	417608 ¹	41
16.250" (16-1/4") SHAFT							
18.000	18.010		0.750		S	55103S	45

PLAIN ROUND FELT SEALS

Seal O.D.	Seal Width	Lip Mat'l	Part No.
0.938" SHAFT			
1.504	0.375	F	5MR1300

Size Section**PLAIN ROUND FELT SEALS****TIMKEN®**

Seal O.D.	Seal Width	Lip Mat'l	Part No.
1.938" SHAFT (cont.)			
3.004	0.375	F	5M293
2.888	0.375	F	5M81
2.000" (2-3/32") SHAFT			
2.746	0.438	F	5M289
3.129	0.500	F	5M403
2.188" SHAFT			
3.067	0.250	F	5MR71
2.500" (2-1/2") SHAFT			
3.442	0.313	F	5M89
2.688" SHAFT			
3.504	0.219	F	5MR1008
2.937" (2-15/16") SHAFT			
3.816	0.313	F	5MR1009
3.250" (3-1/4") SHAFT			
4.067	0.313	F	5M643
6.438" SHAFT			
7.567	0.500	F	5M466

SIZE SECTION

Size Section

SEAL KITS

SIZE SECTION

KIT DIMENSIONS						SEAL DIMENSIONS						REMARKS	
Shaft	O.D.	Width	Bolt Holes	Kit No.	Type/ Illus.	Seal No.	Type/ Illus.	Lip Mat'l	Shaft	O.D.	Width	Bolt Holes	Remarks
-	6.240	0.400	-	5591	#	-	-	-	-	-	-	-	Contains (2) G462 Gasket & (2) G463 Gasket
-	6.906	0.440	-	5419	#	-	-	-	-	-	-	-	Contains (2) G137 Gasket
1.062	2.129	0.625	-	5168	41	+ 413293	41	-	1.187	2.129	0.375	-	Contains JV1872 Wear Sleeve
1.250	2.254	0.750	-	5166	41	+ 410169	41	-	1.375	2.254	0.500	-	Contains JV1873 Wear Sleeve
1.500	2.376	0.420	-	5202	79	7692S^{2,3}	79	N	1.500	2.376	0.420	-	Contains RP 605 Bushing
1.500	2.378	1.500	-	5201	47	470059³	47	S	1.500	2.378	0.500	-	Contains RP 605 Bushing
1.502	2.381	0.940	-	5200	71	9613S^{2,3}	71	S	1.500	2.381	0.470	-	Contains RP 356 Bushing
1.685	2.506	0.421	-	5203	79	7300S^{2,3}	79	N	1.685	2.506	0.421	-	Contains RP 661 Bushing
1.685	2.506	0.421	-	5206	79	7300S^{2,3}	79	N	1.685	2.506	0.421	-	Contains RP 546 Bushing
1.812	2.879	0.718	-	5531	41	+ 410295	41	-	1.937	2.879	0.468	-	Contains J1464 Wear Sleeve
1.875	2.808	0.433	-	5699	285	+ 4310	-	-	-	-	-	-	Contains AS232 O-Ring
1.875	3.150	0.315	-	5697	#	+ 4051	-	-	-	-	-	-	Contains AS232 O-Ring
1.880	2.414	0.250	-	5458	35	+ 6910S	-	-	-	-	-	-	Contains 610101 O-Ring
1.887	1.999	1.000	-	5208	74	9449^{2,3}	74	S	1.887	2.704	0.582	-	Contains RP775 Bushing
1.915	2.548	0.250	-	5573	#	+ 7020	-	-	-	-	-	-	Contains 610145 O-Ring
1.969	2.688	0.256	-	5694	#	+ 1884	-	-	-	-	-	-	
						4899	66	S	2.205	2.958	0.256	-	
						+ 722111	-	-	-	-	-	-	
2.000	3.376	0.625	-	5188	41	410972N³	41	N	2.125	3.376	0.468	-	Contains J1109 Wear Sleeve & JV1837 Wear Sleeve
2.000	4.562	0.562	-	5329	#	+ 6465B	-	-	-	-	-	-	Contains (2) G33 Gasket
2.000	5.880	0.448	-	5487	#	-	-	-	-	-	-	-	Contains (2) G221 Gasket & K251 Wiper
2.010	2.965	0.318	-	5695	#	+ SK1	-	-	-	-	-	-	Contains SK3 Wear Sleeve
						+ SK2	-	-	-	-	-	-	
						+ SK3	-	-	-	-	-	-	
2.047	2.964	0.315	-	5696	#	1993	47	S	2.205	2.885	0.492	-	
						4898	66	S	2.047	2.603	0.295	-	
						+ 722110	-	-	-	-	-	-	
2.120	3.505	0.750	-	5521	41	+ 415093	41	-	2.250	3.505	0.500	-	Contains JV1456 Wear Sleeve
2.121	3.350	0.500	-	5397	46	+ 482435	48	-	2.172	3.35	0.500	-	
						+ 9434	-	-	-	-	-	-	
2.125	3.072	0.433	-	5604	#	+ 3948	-	-	-	-	-	-	Contains JV2019 Wear Sleeve
2.129	2.766	0.250	-	5589	48	+ 666151	-	-	-	-	-	-	Contains 666151 O-Ring
						+ 6957	-	-	-	-	-	-	
2.250	3.256	0.625	-	5189	41	412038N³	41	N	2.375	3.256	0.437	-	Contains J1113 Wear Sleeve & JV1836 Wear Sleeve
2.340	3.355	0.650	-	5666	69	+ 3501V	-	-	-	-	-	-	Contains JX1966 Wear Sleeve
2.375	3.433	1.000	-	5602	47	473274N³	47	N	2.500	3.433	0.375	-	Contains JV1802 Wear Sleeve
2.375	4.943	1.000	-	5603	#	3136N^{3,4}	47	N	2.500	4.943	0.500	-	Contains JV1802 Wear Sleeve
2.377	3.505	0.560	-	5066	48	3894V	48	V	2.500	3.505	0.500	-	Contains JX1920 Wear Sleeve
2.420	3.558	0.336	-	5698	#	+ 4185	-	-	-	-	-	-	Contains AS043 O-Ring
2.500	6.125	0.435	-	5401	51	+ 7512S	-	-	-	-	-	-	Contains (2) G41 Gasket & G43 Gasket & JV1304 Wear Sleeve
2.645	5.625	0.320	-	5414	#	-	-	-	-	-	-	-	(Split-Lip Seal); Contains (2) G129 Gasket & G130 Gasket & G131 Gasket
2.812	4.504	1.000	-	5399	41	+ 415356	41	-	2.937	4.504	0.468	-	Contains JV1427 Wear Sleeve
2.860	6.562	0.571	-	5403	#	+ 6479	-	-	-	-	-	-	Contains J493 Wear Sleeve
2.875	3.756	0.625	-	5601	47	476023N³	47	N	3.000	3.756	0.375	-	Contains JV1120 Wear Sleeve
2.991	3.637	0.385	-	5273	FW-H	+ 100202T	-	-	-	-	-	-	
3.000	4.008	0.625	-	5629	45	+ 457034	-	-	-	-	-	-	Contains J1121 Wear Sleeve
3.010	8.250	0.571	-	5313	#	+ 8369S	-	-	-	-	-	-	Contains K282 Wiper & (2) G523 Gasket
3.124	8.250	0.518	-	5408	#	+ 6477S	-	-	-	-	-	-	Contains (2) G40 Gasket & G42 Gasket & J873 Wear Sleeve
3.125	4.130	1.000	-	5578	48	+ 485500N	48	-	3.298	4.13	0.562	-	Contains K179 Wiper
3.250	4.254	0.750	-	5169	47	476028³	47	S	3.375	4.254	0.468	-	Contains JV1875 Wear Sleeve
3.465	4.266	0.437	-	5287	FW-H	+ 100239T	-	-	-	-	-	-	Contains 732079 Gasket & 733419 Gasket & 734280 Gasket

Size Section

SEAL KITS



KIT DIMENSIONS						SEAL DIMENSIONS						REMARKS	
Shaft	O.D.	Width	Bolt Holes	Kit No.	Type/ Illus.	Seal No.	Type/ Illus.	Lip Mat'l	Shaft	O.D.	Width	Bolt Holes	Remarks
3.562	5.125	0.875	-	5649	74	9584³	74	S	3.562	4.761	0.550	-	Contains JV1509 Wear Sleeve
3.562	5.256	0.468	-	5532	41	416670³	41	S	3.687	5.256	0.468	-	Contains JV1469 Wear Sleeve
3.583	4.375	0.394	-	5279	FW-H	+ 100052T	-	-	-	-	-	-	Contains 731414 Gasket
3.625	4.256	0.390	-	5277	FW-H	+ 100204T	-	-	-	-	-	-	
3.625	4.756	0.875	-	5167	47	475379³	47	S	3.750	4.756	0.500	-	Contains JV1874 Wear Sleeve
3.740	4.540	0.492	-	5274	FW-H	+ 100203T	-	-	-	-	-	-	Contains Contains 733215 Gasket
3.750	4.506	0.362	-	5278	FW-H	+ 100205T	-	-	-	-	-	-	
3.865	6.102	0.975	-	5667	74	+ 4269	-	-	-	-	-	-	Contains J2058 Wear Sleeve
3.937	5.509	0.597	-	5089	41	+ 2155	-	-	-	-	-	-	
3.994	5.004	0.718	-	5526	41	+ 415134	41	-	4.125	5.004	0.468	-	Contains JV1461 Wear Sleeve
4.000	5.005	0.625	-	5065	45	+ 455134H	-	-	-	-	-	-	Contains J1129 Wear Sleeve
4.062	5.506	0.875	-	5170	41	+ 415039	41	-	4.187	5.506	0.562	-	Contains JV1473 Wear Sleeve
4.062	6.000	0.875	-	5537	41	+ 416673	41	-	4.187	6.007	0.625	-	Contains JV1473 Wear Sleeve
4.687	5.756	1.562	-	5460	45	455251H³	45	H	4.812	5.756	0.562	-	Contains JV729 Wear Sleeve
4.743	6.256	0.812	-	5527	41	+ 415068	-	-	-	-	-	-	Contains JV1462 Wear Sleeve
4.759	6.316	1.250	-	5481	47	6872S	47	S	5.500	6.316	1.250	-	Contains JV753 Wear Sleeve
5.000	6.131	0.875	-	5624	45	456557³	45	V	5.125	6.131	0.500	-	Contains JX1831 Wear Sleeve
5.179	6.513	1.380	-	5424	FW-H	+ 327984	-	-	-	-	-	-	Contains JF2280 Wear Sleeve
5.500	6.631	0.875	-	5146	41	+ 415487	41	-	5.625	6.631	0.625	-	Contains JV1463 Wear Sleeve
5.991	6.757	0.500	-	5039	41	+ 4165V	-	-	-	-	-	-	Contains JV2088 Wear Sleeve
5.998	6.757	0.675	-	5645	41	+ 4165V	-	-	-	-	-	-	Contains J2051 Wear Sleeve
6.000	6.757	0.750	-	5026	33	+ 336665H	-	-	-	-	-	-	Contains J1141 Wear Sleeve
6.079	7.336	0.750	-	5613	64	2628³	64	H	6.204	7.336	0.562	-	Contains K458 Wiper & J1842 Wear Sleeve
6.875	8.382	0.750	-	5538	41	+ 416674	-	-	-	-	-	-	Contains JV1474 Wear Sleeve

SIZE SECTION

³Redicoat®; + Not Sold Separately

Size Section

WEAR SLEEVES

SIZE SECTION

Shaft Dia	I.D.	Eff.		Flanged O.D.	Width	Type/ Illus.	Part No.	Shaft Dia	I.D.	Eff.		Flanged O.D.	Width	Type/ Illus.	Part No.
		Shaft Dia	Shaft Dia							Shaft Dia	Shaft Dia				
1.125	28.580	1.250			0.500	19	J1158	6.875	174.630	7.000	7.187	1.000	10	JV1474	
1.375	34.930	1.500			0.625	19	JV1277	6.875	174.630	7.000		0.750	19	J1278	
1.500	38.100	2.570			0.550	1	JV933	6.875	6.867	7		0.750	19	• JV1278	
1.500	38.100	1.625			0.625	19	J1101	7.375	187.330	7.500		0.875	19	JV1190	
1.625	41.280	1.750			0.625	19	J1103								
1.750	44.450	1.875			0.625	19	J1105								
1.766	1.761	1.871			0.875	19	• JV825								
1.812	46.020	1.937			0.625	19	J1106								
1.875	47.630	2.000			0.625	19	J1107								
2.000	50.800	2.125			0.625	19	J1109								
2.000	50.800	2.125			0.750	19	J1396								
2.062	2.057	2.187			0.625	19	• J1110								
2.125	53.980	2.250			0.625	19	J1111								
2.250	57.150	2.375			0.625	19	J1113								
2.375	60.330	2.500			0.625	19	J1115								
2.375	2.37	2.5			1.000	19	• JJ1990								
2.500	63.500	2.625			0.625	19	J1117								
2.500	63.500	2.491			0.560	19	J2228								
2.502	63.550	2.627			1.000	19	J1780								
2.625	66.680	2.750			0.625	19	J1118								
2.698	68.530	2.774			0.953	#	JV1216								
2.750	69.850	2.875			0.625	19	J1119								
2.906	73.810	3.000	3.125		0.562	#	JV1371								
3.000	76.200	3.125			0.625	19	J1121								
3.125	79.380	3.250			0.625	19	J1122								
3.146	79.910	3.224			0.625	1	JV949								
3.250	82.550	3.375			0.625	19	J1123								
3.375	85.730	3.500			0.625	19	J1124								
3.500	88.900	3.625			0.625	19	J1125								
3.562	90.470	3.687	3.825		0.718	10	JV1469								
3.625	92.080	3.750			0.625	19	J1126								
3.678	3.67	3.758			0.625	1	• JV1582								
3.686	93.620	3.767			0.625	1	JV1166								
3.750	95.250	3.875			0.625	19	J1127								
3.875	98.430	4.000			0.625	19	J1128								
4.000	101.600	4.125			0.625	19	J1129								
4.125	104.780	4.250			0.625	19	J1130								
4.250	107.950	4.375			0.750	19	J1131								
4.375	111.130	4.500			0.750	19	J1132								
4.625	117.480	4.750			0.750	19	J1134								
4.687	119.050	4.812			1.240	19	JF2282								
4.764	121.010	5.510			0.875	#	JV753								
4.812	122.220	5.510			0.875	#	JV701								
4.875	123.830	5.000			0.750	19	J1136								
4.875	123.830	5.000			0.715	19	J1606								
5.187	131.750	5.312			1.380	19	JF2280								
5.250	133.350	5.375			0.750	19	J1138								
5.250	5.243	5.375			0.750	19	• JV1138								
5.375	136.530	5.500			0.750	19	J1081								
5.375	5.368	5.5			0.848	#	• J1828								
5.500	5.493	5.625			0.750	19	• J1139								
5.750	146.050	5.875			0.750	19	J1140								
5.875	5.868	6			0.875	19	• JV1002								
6.000	152.400	6.125			0.750	19	J1141								
6.081	154.460	6.204			0.750	19	J1842								
6.206	157.630	6.328			0.812	19	J1825								
6.375	161.930	6.500			0.875	19	J1869								

Size Section

REDI-SLEEVES



Shaft Range		Part No.	Width on Shaft	Overall Width	Flanged O.D.	Install. Depth	Shaft Range		Part No.	Width on Shaft	Overall Width	Flanged O.D.	Install. Depth
Min	Max						Min	Max					
0.469	0.475	99049	0.236	0.331	0.787	0.472	1.572	1.578	99157	0.512	0.630	1.850	1.023
0.498	0.502	99050	0.250	0.344	0.610	2.008	1.602	1.608	99160	0.500	0.641	1.938	1.000
0.547	0.551	99055	0.250	0.391	0.750	1.831	1.608	1.614	99163	0.500	0.625	1.938	1.016
0.560	0.566	99056	0.250	0.391	0.750	1.831	1.622	1.628	99161	0.313	0.438	1.875	1.016
0.589	0.593	99059	0.197	0.354	0.750	0.425	1.623	1.628	99162	0.563	0.688	1.875	0.813
0.623	0.627	99062	0.313	0.406	0.813	2.000	1.647	1.654	99166	0.445	0.571	2.087	0.827
0.626	0.630	99058	0.313	0.438	0.718	2.000	1.647	1.654	99169	0.563	0.688	2.087	0.827
0.667	0.671	99068	0.315	0.433	1.063	2.008	1.653	1.659	99165	0.550	0.689	2.087	0.827
0.682	0.686	99060	0.313	0.438	0.900	2.000	1.684	1.690	99168	0.563	0.688	1.906	0.875
0.704	0.709	99082	0.315	0.433	1.063	1.811	1.685	1.691	99167	0.313	0.438	1.906	0.875
0.748	0.752	99075	0.375	0.500	0.900	2.000	1.687	1.693	99182	0.500	0.625	1.906	0.844
0.748	0.752	99076	0.313	0.438	0.938	2.000	1.715	1.721	99171	0.563	0.688	2.031	0.813
0.759	0.761	99081	0.313	0.438	0.938	2.000	1.736	1.742	99170	0.375	0.500	2.063	0.813
0.780	0.784	99080	0.313	0.438	0.935	2.000	1.747	1.753	99172	0.375	0.500	2.055	0.813
0.785	0.789	99078	0.313	0.433	0.999	2.000	1.747	1.753	99174	0.563	0.688	2.063	0.813
0.857	0.861	99086	0.250	0.375	1.155	2.000	1.747	1.753	99175	0.750	0.875	2.063	0.813
0.861	0.866	99084	0.259	0.359	1.188	1.856	1.747	1.753	99180	0.531	0.625	2.063	0.875
0.861	0.866	99085	0.315	0.472	1.058	1.813	1.761	1.767	99176	0.563	0.688	2.063	0.813
0.873	0.877	99087	0.313	0.438	1.093	2.000	1.769	1.775	99177	0.551	0.669	2.087	0.812
0.908	0.912	99091	0.313	0.438	1.218	1.847	1.778	1.784	99179	0.675	0.800	2.125	1.062
0.940	0.945	99092	0.313	0.437	1.130	2.000	1.809	1.815	99181	0.563	0.688	2.156	1.000
0.966	0.970	99094	0.313	0.438	1.130	2.000	1.857	1.863	99185	0.563	0.688	2.156	1.000
0.966	0.970	99096	0.625	0.719	1.130	2.000	1.866	1.872	99186	0.889	1.025	2.187	1.000
0.982	0.986	99098	0.313	0.433	1.378	2.000	1.872	1.878	99184	0.375	0.516	2.203	1.050
0.998	1.002	99101	0.313	0.438	1.219	2.000	1.872	1.878	99187	0.563	0.688	2.203	1.000
1.019	1.024	99103	0.313	0.472	1.312	1.813	1.872	1.878	99188	0.295	0.415	2.203	0.744
1.060	1.064	99106	0.313	0.438	1.320	2.812	1.872	1.878	99190	0.175	0.295	2.203	0.744
1.087	1.091	99108	0.313	0.438	1.406	0.625	1.872	1.878	99832	0.563	0.688	2.203	1.000
1.100	1.104	99111	0.375	0.500	1.375	2.813	1.887	1.893	99189	0.551	0.668	2.205	0.984
1.123	1.127	99112	0.313	0.438	1.575	0.688	1.909	1.915	99192	0.375	0.500	2.219	1.000
1.123	1.127	99116	0.375	0.500	1.500	0.688	1.934	1.940	99193	0.563	0.688	2.219	1.000
1.154	1.158	99120	0.375	0.500	1.350	0.688	1.965	1.971	99196	0.551	0.688	2.244	0.984
1.173	1.178	99122	0.313	0.438	1.575	0.688	1.977	1.983	99198	0.563	0.704	2.313	1.050
1.179	1.184	99114	0.315	0.433	1.400	0.688	1.997	2.003	99199	0.563	0.688	2.406	1.000
1.185	1.190	99118	0.313	0.438	1.400	0.875	1.997	2.003	99200	0.875	1.000	2.406	1.000
1.216	1.222	99123	0.315	0.438	1.575	0.688	2.041	2.047	99204	0.500	0.625	2.469	1.000
1.247	1.253	99125	0.313	0.438	1.500	0.688	2.057	2.063	99205	0.781	0.938	2.469	1.375
1.257	1.263	99128	0.315	0.437	1.496	0.709	2.123	2.128	99210	0.500	0.750	2.422	1.281
1.297	1.301	99121	0.591	0.709	1.594	1.000	2.124	2.130	99212	0.781	0.938	2.422	1.375
1.308	1.314	99129	0.250	0.375	1.600	0.813	2.162	2.168	99215	0.787	0.905	2.441	1.250
1.310	1.316	99131	0.500	0.625	1.594	0.813	2.186	2.192	99218	0.781	0.938	2.500	1.313
1.336	1.342	99134	0.500	0.625	1.638	0.813	2.197	2.205	99220	0.500	0.625	2.500	1.250
1.371	1.377	99133	0.313	0.438	1.638	0.813	2.227	2.233	99230	0.781	0.906	2.531	1.250
1.371	1.377	99138	0.500	0.625	1.638	0.813	2.237	2.243	99226	0.764	0.900	2.562	1.250
1.375	1.381	99139	0.512	0.630	1.638	0.812	2.249	2.255	99225	0.781	0.938	2.531	1.313
1.375	1.381	99820	0.512	0.630	1.638	0.813	2.249	2.255	99227	0.313	0.438	2.531	1.313
1.412	1.417	99146	0.518	0.669	1.689	0.984	2.275	2.281	99228	0.380	0.505	2.678	1.375
1.432	1.438	99143	0.563	0.688	1.781	1.000	2.280	2.286	99219	0.787	0.938	2.598	1.375
1.435	1.441	99144	0.375	0.500	1.781	1.016	2.309	2.315	99231	0.781	0.938	2.688	1.600
1.453	1.460	99145	0.375	0.500	1.781	0.812	2.327	2.333	99233	0.750	0.875	2.750	1.610
1.490	1.496	99147	0.512	0.669	1.780	0.984	2.359	2.365	99235	0.787	0.905	2.785	1.375
1.497	1.503	99149	0.563	0.688	1.781	1.000	2.359	2.365	99241	0.370	0.449	2.783	1.472
1.497	1.503	99150	0.375	0.500	1.781	1.016	2.369	2.375	99236	0.781	0.938	2.750	1.375
1.520	1.526	99152	0.438	0.563	1.859	1.016	2.372	2.378	99238	0.594	0.750	2.750	1.375
1.549	1.555	99155	0.438	0.563	1.859	1.000	2.374	2.380	99237	0.781	0.938	2.734	1.375
1.559	1.565	99156	0.563	0.688	1.859	1.000	2.374	2.380	99240	0.526	0.683	2.750	1.375
1.566	1.572	99159	0.625	0.750	1.859	1.016	2.434	2.440	99243	0.781	0.938	2.828	1.375
1.569	1.575	99153	0.390	0.509	1.850	1.000	2.434	2.441	99244	0.500	0.625	2.828	1.425

SIZE SECTION

Size Section

REDI-SLEEVES

SIZE SECTION

Shaft Range Min	Shaft Range Max	Part No.	Width on Shaft	Overall Width	Flanged O.D.	Install. Depth	Shaft Range Min	Shaft Range Max	Part No.	Width on Shaft	Overall Width	Flanged O.D.	Install. Depth
2.435	2.441	99242	0.500	0.626	2.827	1.417	3.500	3.506	99350	0.813	1.000	3.844	1.375
2.489	2.495	99249	0.781	0.938	2.875	1.393	3.500	3.506	99852	0.813	1.000	3.844	1.347
2.497	2.503	99253	0.555	0.650	2.820	0.890	3.501	3.507	99349	0.626	0.811	3.842	1.339
2.500	2.506	99248	0.500	0.656	2.828	1.375	3.540	3.546	99351	0.710	0.906	4.000	1.813
2.500	2.506	99250	0.781	0.938	2.828	1.375	3.540	3.546	99352	0.438	0.538	4.000	1.813
2.510	2.516	99251	0.781	0.906	2.828	1.438	3.540	3.546	99353	0.528	0.665	4.000	1.732
2.556	2.562	99254	0.787	0.905	2.850	1.378	3.540	3.546	99354	0.906	1.102	4.000	1.750
2.560	2.566	99256	0.781	0.938	2.891	1.375	3.560	3.566	99356	0.813	1.000	3.900	1.750
2.595	2.602	99259	0.781	0.938	2.990	1.250	3.618	3.624	99360	0.811	1.000	4.031	1.732
2.618	2.624	99261	0.781	0.938	3.047	1.375	3.623	3.629	99362	0.813	1.000	4.031	1.750
2.621	2.627	99264	0.781	0.906	3.047	1.375	3.623	3.629	99363	0.500	0.625	4.025	1.750
2.622	2.628	99260	0.500	0.625	3.047	1.375	3.684	3.690	99368	0.313	0.438	3.830	0.875
2.625	2.631	99262	0.781	0.938	3.047	1.375	3.685	3.691	99359	0.813	0.938	4.025	1.750
2.740	2.746	99273	0.781	0.938	3.065	1.250	3.685	3.691	99365	0.813	0.938	4.025	1.750
2.745	2.751	99274	0.781	0.938	3.125	1.250	3.727	3.733	99366	0.781	0.906	4.025	1.800
2.747	2.753	99267	1.438	1.625	3.075	1.625	3.737	3.743	99369	0.827	0.945	4.025	1.750
2.750	2.756	99269	1.125	1.250	3.125	1.250	3.740	3.746	99364	0.469	0.594	4.035	1.750
2.750	2.756	99272	0.406	0.563	3.125	1.250	3.740	3.746	99374	0.344	0.500	4.031	1.750
2.750	2.756	99275	0.781	0.938	3.125	1.250	3.746	3.752	99376	0.563	0.688	4.025	1.750
2.753	2.759	99276	0.787	0.945	3.125	1.250	3.750	3.756	99367	0.344	0.500	4.031	1.750
2.760	2.677	99266	0.750	0.875	3.125	1.688	3.750	3.756	99372	0.688	0.875	4.031	1.875
2.809	2.815	99281	0.594	0.688	3.188	1.250	3.868	3.874	99386	0.813	1.000	4.185	1.875
2.828	2.835	99284	0.750	0.875	3.225	1.343	3.873	3.879	99387	0.813	1.000	4.219	1.875
2.838	2.844	99282	0.500	0.656	3.225	1.250	3.935	3.941	99393	0.813	1.000	4.313	1.340
2.866	2.872	99286	0.781	0.938	3.188	1.250	3.935	3.941	99854	0.813	1.000	4.313	2.050
2.873	2.879	99287	0.781	0.938	3.219	1.250	3.998	4.006	99395	0.600	0.725	101.600	2.050
2.937	2.943	99290	0.500	0.641	3.344	1.331	3.998	4.006	99399	0.813	1.000	4.375	1.250
2.937	2.943	99293	0.781	0.938	3.344	1.250	3.998	4.006	99400	0.650	0.775	4.375	1.375
2.950	2.956	99289	0.594	0.689	3.272	1.102	3.998	4.006	99401	0.500	0.625	4.375	2.066
2.950	2.956	99294	0.866	1.024	3.305	1.312	4.090	4.098	99409	0.787	0.945	4.438	1.417
2.990	2.996	99291	0.484	0.625	3.359	1.331	4.122	4.130	99412	0.813	1.000	4.420	1.375
2.990	2.996	99298	0.563	0.688	3.359	1.375	4.130	4.138	99413	0.787	0.906	4.470	1.378
2.990	2.996	99299	0.813	1.000	3.359	1.250	4.183	4.191	99418	0.813	1.000	4.500	1.375
2.997	3.003	99296	0.813	0.938	3.240	1.375	4.226	4.234	99423	0.781	0.906	4.610	1.438
3.000	3.006	99300	0.813	1.000	3.453	1.250	4.248	4.256	99424	0.813	1.000	4.813	1.375
3.000	3.006	99303	0.625	0.813	3.345	1.063	4.322	4.331	99434	0.448	0.589	4.921	1.297
3.064	3.071	99306	0.750	0.875	3.468	2.056	4.327	4.335	99435	0.509	0.650	4.921	1.250
3.120	3.126	99311	0.688	0.813	3.531	2.000	4.370	4.378	99437	0.813	1.000	4.750	1.650
3.120	3.126	99312	0.813	1.000	3.531	2.000	4.401	4.409	99438	0.750	0.886	4.750	1.300
3.124	3.132	99307	0.551	0.709	3.525	2.031	4.434	4.442	99439	1.000	1.142	4.813	1.313
3.142	3.150	99313	0.750	0.886	3.540	1.375	4.496	4.504	99450	0.813	1.000	5.000	1.375
3.146	3.153	99315	0.827	0.945	3.543	1.375	4.523	4.531	99452	0.813	0.938	5.000	1.250
3.146	3.153	99317	0.433	0.590	3.543	1.378	4.621	4.629	99463	1.000	1.250	5.063	1.375
3.225	3.231	99328	0.661	0.850	3.587	1.732	4.621	4.629	99465	0.438	0.625	5.000	1.375
3.247	3.253	99322	0.813	1.000	3.594	1.375	4.685	4.693	99468	0.812	1.000	5.062	1.375
3.248	3.254	99323	0.600	0.725	3.585	1.375	4.720	4.728	99471	0.315	0.433	5.110	1.323
3.250	3.256	99324	0.595	0.719	3.594	1.375	4.720	4.728	99473	0.787	0.984	5.110	1.260
3.250	3.256	99325	0.813	1.000	3.594	1.375	4.746	4.754	99475	0.500	0.750	5.250	1.500
3.250	3.256	99326	0.688	0.875	3.585	1.250	4.801	4.807	99472	0.787	0.945	5.177	1.260
3.307	3.313	99331	0.813	1.000	3.688	1.375	4.871	4.879	99487	0.625	0.752	5.252	1.457
3.337	3.347	99332	0.669	0.827	3.700	1.378	4.917	4.925	99490	0.394	0.551	5.402	1.457
3.337	3.346	99333	0.827	0.984	3.700	2.007	4.917	4.925	99492	1.024	1.260	5.400	1.438
3.338	3.346	99334	1.062	1.250	3.700	2.007	4.998	5.006	99498	0.688	0.875	5.400	1.438
3.373	3.379	99337	0.813	1.000	3.688	1.375	4.998	5.006	99499	0.813	1.000	5.406	1.500
3.435	3.441	99339	0.781	0.906	3.844	1.406	4.998	5.006	99501	0.813	1.000	5.390	1.438
3.477	3.483	99340	0.781	0.906	3.835	1.406	5.110	5.118	99494	0.750	0.938	5.493	1.181
3.497	3.503	99346	0.625	0.813	3.844	1.347	5.117	5.125	99491	0.866	0.996	5.492	1.299
3.500	3.506	99347	0.315	0.500	3.827	1.339	5.120	5.128	99513	0.813	1.000	5.500	1.250

Size Section

REDI-SLEEVES



Shaft Range		Part No.	Width on Shaft	Overall Width	Flanged O.D.	Install. Depth
Min	Max					
5.246	5.254	99525	0.813	1.000	5.560	1.250
5.307	5.315	99533	0.807	1.000	5.735	1.250
5.371	5.379	99537	0.813	1.000	5.875	1.250
5.498	5.506	99549	0.812	1.000	5.938	1.250
5.498	5.506	99550	0.518	0.705	5.938	1.250
5.508	5.516	99552	0.807	1.000	5.945	1.250
5.621	5.629	99560	0.875	1.000	6.188	1.812
5.699	5.709	99571	0.750	0.875	6.100	1.812
5.726	5.734	99562	0.563	0.750	6.100	1.938
5.746	5.754	99575	0.813	1.000	6.180	1.750
5.871	5.879	99587	1.000	1.250	6.188	1.313
5.895	5.905	99595	1.024	1.181	6.260	1.338
5.934	5.942	99596	1.000	1.125	6.375	1.875
5.995	6.003	99599	1.000	1.250	6.375	1.750
5.995	6.003	99601	0.500	0.750	6.360	1.750
6.058	6.068	99605	1.024	1.181	6.375	1.299
6.092	6.102	99606	1.024	1.181	6.500	1.299
6.198	6.208	99620	0.813	1.063	6.625	1.750
6.245	6.255	99625	1.031	1.250	6.625	1.750
6.289	6.299	99630	1.000	1.250	7.000	1.800
6.495	6.505	99650	1.000	1.250	7.000	1.750
6.683	6.693	99640	1.250	1.496	7.188	1.750
6.745	6.755	99675	0.813	1.063	7.125	1.750
6.880	6.890	99687	1.102	1.260	7.362	1.378
6.995	7.005	99700	1.000	1.250	7.500	1.750
7.077	7.087	99721	1.300	1.496	7.500	1.752
7.244	7.254	99725	1.250	1.500	7.760	2.175
7.444	7.454	99745	0.813	1.000	7.860	1.250
7.495	7.505	99750	0.813	1.000	7.875	1.250
7.869	7.879	99787	1.359	1.500	8.375	1.750
7.995	8.005	99800	1.000	1.250	8.375	1.750

SIZE SECTION

Size Section

O-RINGS

SIZE SECTION

ID	OD	Mat'l	Packaged Part No.	Std. Unit Pack	Bulk Part No.	Bulk Unit Pack	ID	OD	Mat'l	Packaged Part No.	Std. Unit Pack	Bulk Part No.	Bulk Unit Pack
1/32" Width							1/16" Width (cont.)						
1/32"	3/32"	S	001PKG	5	001BULK	5	3-3/4"	3-7/8"	S	044PKG	5	044BULK	5
3/64" Width							4" 4-1/8" S 045PKG 5 045BULK 5						
3/64"	9/64"	S	002PKG	10	002BULK	10	2,00mm (0.079") Width						
1/16" Width							3,00 7,00 S 6003020 5						
1/16"	3/16"	S	003PKG	5	003BULK	5	4,00 8,00 S 6004020 5						
1/16" Width							5,00 9,00 S 6005020 5						
5/64"	13/64"	S	004PKG	5	004BULK	5	6,00 10,00 S 6006020 5						
3/32"	7/32"	S	005PKG	5	005BULK	5	7,00 11,00 S 6007020 5						
1/8"	1/4"	S	006PKG	20	006BULK	20	8,00 12,00 S 6008020 5						
1/8"	1/4"	V	006-V35	10			10,00 14,00 S 6010020 5						
5/32"	9/32"	S	007PKG	20	007BULK	20	2,50mm (0.098") Width						
5/32"	9/32"	V	007-V35	10			3,00 15,00 S 6010025 5						
3/16"	5/16"	V	008-V35	10			4,00 16,00 S 6011025 5						
3/16"	5/16"	S	008PKG	20	008BULK	20	5,00 17,00 S 6012025 5						
7/32"	11/32"	S	009PKG	20	009BULK	20	6,00 19,00 S 6014025 5						
7/32"	11/32"	V	009-V35	10			7,00 21,00 S 6016025 5						
1/4"	3/8"	S	010PKG	20	010BULK	20	8,00 22,00 S 6017025 5						
1/4"	3/8"	V	010-V35	10			10,00 24,00 S 6019025 5						
5/16"	7/16"	V	011-V35	10			3/32" Width						
5/16"	7/16"	S	011PKG	20	011BULK	20	3/8" 9/16" S 110PKG 20 110BULK 20						
3/8"	1/2"	S	012PKG	20	012BULK	20	3/8" 9/16" V 110-V35 10						
3/8"	1/2"	V	012-V35	10			7/16" 5/8" S 111PKG 20 111BULK 20						
7/16"	9/16"	S	013PKG	10	013BULK	10	7/16" 5/8" V 111-V35 10						
1/2"	5/8"	S	014PKG	10	014BULK	10	1/2" 11/16" S 112PKG 20 112BULK 20						
9/16"	11/16"	S	015PKG	10	015BULK	10	1/2" 11/16" V 112-V35 10						
5/8"	3/4"	S	016PKG	10	016BULK	10	9/16" 3/4" V 113-V35 10						
11/16"	13/16"	S	017PKG	10	017BULK	10	9/16" 3/4" S 113PKG 10 113BULK 10						
3/4"	7/8"	S	018PKG	10	018BULK	10	5/8" 13/16" S 114PKG 10 114BULK 10						
13/16"	15/16"	S	019PKG	10	019BULK	10	5/8" 13/16" V 114-V35 10						
7/8"	1"	S	020PKG	10	020BULK	10	11/16" 7/8" S 115PKG 10 115BULK 10						
15/16"	1-1/16"	S	021PKG	10	021BULK	10	11/16" 7/8" V 115-V35 5						
1"	1-1/8"	S	022PKG	10	022BULK	10	3/4" 15/16" V 116-V35 5						
1-1/16"	1-3/16"	S	023PKG	10	023BULK	10	3/4" 15/16" S 116PKG 10 116BULK 10						
1-1/8"	1-1/4"	S	024PKG	10	024BULK	10	13/16" 1" S 117PKG 10 117BULK 10						
1-3/16"	1-5/16"	S	025PKG	10	025BULK	10	7/8" 1-1/16" S 118PKG 10 118BULK 10						
1-1/4"	1-3/8"	S	026PKG	10	026BULK	10	15/16" 1-1/8" S 119PKG 10 119BULK 10						
1-5/16"	1-7/16"	S	027PKG	10	027BULK	10	1" 1-3/16" S 120PKG 10 120BULK 10						
1-3/8"	1-1/2"	S	028PKG	10	028BULK	10	1-1/16" 1-1/4" S 121PKG 10 121BULK 10						
1-1/2"	1-5/8"	S	029PKG	5	029BULK	5	1-1/8" 1-5/16" S 122PKG 10 122BULK 10						
1-5/8"	1-3/4"	S	030PKG	5	030BULK	5	1-3/16" 1-3/8" S 123PKG 10 123BULK 10						
1-3/4"	1-7/8"	S	031PKG	5	031BULK	5	1-1/4" 1-7/16" S 124PKG 10 124BULK 10						
1-7/8"	2"	S	032PKG	5	032BULK	5	1-5/16" 1-1/2" S 125PKG 10 125BULK 10						
2"	2-1/8"	S	033PKG	5	033BULK	5	1-3/8" 1-9/16" S 126PKG 5 126BULK 5						
2-1/8"	2-1/4"	S	034PKG	5	034BULK	5	1-7/16" 1-5/8" S 127PKG 5 127BULK 5						
2-1/4"	2-3/8"	S	035PKG	5	035BULK	5	1-1/2" 1-11/16" S 128PKG 5 128BULK 5						
2-3/8"	2-1/2"	S	036PKG	5	036BULK	5	1-9/16" 1-3/4" S 129PKG 5 129BULK 5						
2-1/2"	2-5/8"	S	037PKG	5	037BULK	5	1-5/8" 1-13/16" S 130PKG 5 130BULK 5						
2-5/8"	2-3/4"	S	038PKG	5	038BULK	5	1-11/16" 1-7/8" S 131PKG 5 131BULK 5						
2-3/4"	2-7/8"	S	039PKG	5	039BULK	5	1-3/4" 1-15/16" S 132PKG 5 132BULK 5						
2-7/8"	3"	S	040PKG	5	040BULK	5	1-13/16" 2" S 133PKG 5 133BULK 5						
3"	3-1/8"	S	041PKG	5	041BULK	5	1-7/8" 2-1/16" S 134PKG 5 134BULK 5						
3-1/4"	3-3/8"	S	042PKG	5	042BULK	5	1-15/16" 2-1/8" S 135PKG 5 135BULK 5						
3-1/2"	3-5/8"	S	043PKG	5	043BULK	5	2" 2-3/16" S 136PKG 5 136BULK 5						

Size Section

O-RINGS



ID	OD	Mat'l	Packaged Part No.	Std. Unit Pack	Bulk Part No.	Bulk Unit Pack	ID	OD	Mat'l	Packaged Part No.	Std. Unit Pack	Bulk Part No.	Bulk Unit Pack
3/32" Width (cont.)							1/8" Width (cont.)						
2-1/16"	2-1/4"	S	137PKG	5	137BULK	5	1-3/8"	1-5/8"	S	220PKG	10	220BULK	10
2-1/8"	2-5/16"	S	138PKG	5	138BULK	5	1-3/8"	1-5/8"	V	220-V35	2		
2-3/16"	2-3/8"	S	139PKG	5	139BULK	5	1-7/16"	1-11/16"	S	221PKG	10	221BULK	10
2-1/4"	2-7/16"	S	140PKG	5	140BULK	5	1-7/16"	1-11/16"	V	221-V35	2		
2-5/16"	2-1/2"	S	141PKG	5	141BULK	5	1-1/2"	1-3/4"	V	222-V35	2		
2-3/8"	2-9/16"	S	142PKG	5	142BULK	5	1-1/2"	1-3/4"	S	222PKG	10	222BULK	10
2-7/16"	2-5/8"	S	143PKG	5	143BULK	5	1-5/8"	1-7/8"	S	223PKG	10	223BULK	10
2-1/2"	2-11/16"	S	144PKG	5	144BULK	5	1-3/4"	2"	S	224PKG	10	224BULK	10
2-9/16"	2-3/4"	S	145PKG	5	145BULK	5	1-7/8"	2-1/8"	S	225PKG	10	225BULK	10
2-5/8"	2-13/16"	S	146PKG	5	146BULK	5	2"	2-1/4"	S	226PKG	10	226BULK	10
2-11/16"	2-7/8"	S	147PKG	5	147BULK	5	2-1/8"	2-3/8"	S	227PKG	10	227BULK	10
2-3/4"	2-15/16"	S	148PKG	5	148BULK	5	2-1/4"	2-1/2"	S	228PKG	10	228BULK	10
2-13/16"	3"	S	149PKG	5	149BULK	5	2-3/8"	2-5/8"	S	229PKG	10	229BULK	10
2-7/8"	3-1/16"	S	150PKG	5	150BULK	5	2-1/2"	2-3/4"	S	230PKG	10	230BULK	10
3"	3-3/16"	S	151PKG	5	151BULK	5	2-5/8"	2-7/8"	S	231PKG	10	231BULK	10
3-1/4"	3-7/16"	S	152PKG	5	152BULK	5	2-3/4"	3"	S	232PKG	10	232BULK	10
3-1/2"	3-11/16"	S	153PKG	5	153BULK	5	2-7/8"	3-1/8"	S	233PKG	10	233BULK	10
3-3/4"	3-15/16"	S	154PKG	5	154BULK	5	3"	3-1/4"	S	234PKG	10	234BULK	10
4"	4-3/16"	S	155PKG	5	155BULK	5	3-1/8"	3-3/8"	S	235PKG	10	235BULK	10
3,00mm (0.118") Width							3-1/4"	3-1/2"	S	236PKG	10	236BULK	10
19,00	25,00	S	6019030	5			3-3/8"	3-5/8"	S	237PKG	10	237BULK	10
20,00	26,00	S	6020030	5			3-1/2"	3-3/4"	S	238PKG	10	238BULK	10
22,00	28,00	S	6022030	5			3-5/8"	3-7/8"	S	239PKG	10	239BULK	10
24,00	30,00	S	6024030	5			3-3/4"	4"	S	240PKG	10	240BULK	10
25,00	31,00	S	6025030	5			3-7/8"	4-1/8"	S	241PKG	10	241BULK	10
27,00	33,00	S	6027030	5			4"	4-1/4"	S	242PKG	10	242BULK	10
28,00	34,00	S	6028030	5			4-1/8"	4-3/8"	S	243PKG	10	243BULK	10
30,00	36,00	S	6030030	5			4-1/4"	4-1/2"	S	244PKG	10	244BULK	10
32,00	38,00	S	6032030	5			4-3/8"	4-5/8"	S	245PKG	10	245BULK	10
33,00	39,00	S	6033030	5			4-1/2"	4-3/4"	S	246PKG	5	246BULK	5
35,00	41,00	S	6035030	5			4-5/8"	4-7/8"	S	247PKG	5	247BULK	5
36,00	42,00	S	6036030	5			4-3/4"	5"	S	248PKG	5	248BULK	5
38,00	44,00	S	6038030	5			4-7/8"	5-1/8"	S	249PKG	5	249BULK	5
1/8" Width							5"	5-1/4"	S	250PKG	5	250BULK	5
3/4"	1"	S	210PKG	10	210BULK	10	5-1/8"	5-3/8"	S	251PKG	5	251BULK	5
3/4"	1"	V	210-V35	5			5-1/4"	5-1/2"	S	252PKG	5	252BULK	5
13/16"	1-1/16"	S	211PKG	10	211BULK	10	5-3/8"	5-5/8"	S	253PKG	5	253BULK	5
13/16"	1-1/16"	V	211-V35	5			5-1/2"	5-3/4"	S	254PKG	5	254BULK	5
7/8"	1-1/8"	S	212PKG	10	212BULK	10	5-5/8"	5-7/8"	S	255PKG	5	255BULK	5
7/8"	1-1/8"	V	212-V35	5			5-3/4"	6"	S	256PKG	5	256BULK	5
15/16"	1-3/16"	S	213PKG	10	213BULK	10	5-7/8"	6-1/8"	S	257PKG	5	257BULK	5
15/16"	1-3/16"	V	213-V35	5			6"	6-1/4"	S	258PKG	5	258BULK	5
1"	1-1/4"	S	214PKG	10	214BULK	10	6-1/4"	6-1/2"	S	259PKG	5	259BULK	5
1"	1-1/4"	V	214-V35	5			6-1/2"	6-3/4"	S	260PKG	5	260BULK	5
1-1/16"	1-5/16"	S	215PKG	10	215BULK	10	6-3/4"	7"	S	261PKG	5	261BULK	5
1-1/16"	1-5/16"	V	215-V35	5			7"	7-1/4"	S	262PKG	5	262BULK	5
1-1/8"	1-3/8"	S	216PKG	10	216BULK	10	7-1/4"	7-1/2"	S	263PKG	5	263BULK	5
1-1/8"	1-3/8"	V	216-V35	2			7-1/2"	7-3/4"	S	264PKG	5	264BULK	5
1-3/16"	1-7/16"	V	217-V35	2			7-3/4"	8"	S	265PKG	5	265BULK	5
1-3/16"	1-7/16"	S	217PKG	10	217BULK	10	8"	8-1/4"	S	266PKG	5	266BULK	5
1-1/4"	1-1/2"	S	218PKG	10	218BULK	10	8-1/4"	8-1/2"	S	267PKG	5	267BULK	5
1-1/4"	1-1/2"	V	218-V35	2			8-1/2"	8-3/4"	S	268PKG	5	268BULK	5
1-5/16"	1-9/16"	V	219-V35	2			8-3/4"	9"	S	269PKG	5	269BULK	5
1-5/16"	1-9/16"	S	219PKG	10	219BULK	10	9"	9-1/4"	S	270PKG	5	270BULK	5
							9-1/4"	9-1/2"	S	271PKG	5	271BULK	5

SIZE SECTION

Size Section

O-RINGS

SIZE SECTION

ID	OD	Mat'l	Packaged Part No.	Std. Unit Pack	Bulk Part No.	Bulk Unit Pack	ID	OD	Mat'l	Packaged Part No.	Std. Unit Pack	Bulk Part No.	Bulk Unit Pack
1/8" Width (cont.)							1/4" Width (cont.)						
9-1/2"	9-3/4"	S	272PKG	5	272BULK	5	6-3/4"	7-1/4"	S	440PKG	2	440BULK	2
9-3/4"	10"	S	273PKG	5	273BULK	5	7"	7-1/2"	S	441PKG	2	441BULK	2
10"	10-1/4"	S	274PKG	5	274BULK	5	7-1/4"	7-3/4"	S	442PKG	2	442BULK	2
4,00mm (0.157") Width							7-1/2"	8"	S	443PKG	2	443BULK	2
38,00	46,00	S	6038040	5			7-3/4"	8-1/4"	S	444PKG	2	444BULK	2
41,00	49,00	S	6041040	5			8"	8-1/2"	S	445PKG	2	445BULK	2
44,00	52,00	S	6044040	5			8-1/2"	9"	S	446PKG	2	446BULK	2
3/16" Width							9"	9-1/2"	S	447PKG	2	447BULK	2
1-1/2"	1-7/8"	S	325PKG	5	325BULK	5	9-1/2"	10"	S	448PKG	2	448BULK	2
1-1/2"	1-7/8"	V	325-V35	2			10"	10-1/2"	S	449PKG	1	449BULK	1
1-5/8"	2"	S	326PKG	5	326BULK	5	10-1/2"	11"	S	450PKG	1	450BULK	1
1-5/8"	2"	V	326-V35	2			11"	11-1/2"	S	451PKG	1	451BULK	1
1-3/4"	2-1/8"	S	327PKG	5	327BULK	5	11-1/2"	12"	S	452PKG	1	452BULK	1
1-3/4"	2-1/8"	V	327-V35	2			12"	12-1/2"	S	453PKG	1	453BULK	1
1-7/8"	2-1/4"	S	328PKG	5	328BULK	5	12-1/2"	13"	S	454PKG	1	454BULK	1
2"	2-3/8"	S	329PKG	5	329BULK	5	13"	13-1/2"	S	455PKG	1	455BULK	1
2-1/8"	2-1/2"	S	330PKG	5	330BULK	5	13-1/2"	14"	S	456PKG	1	456BULK	1
2-1/4"	2-5/8"	S	331PKG	5	331BULK	5	14"	14-1/2"	S	457PKG	1	457BULK	1
2-3/8"	2-3/4"	S	332PKG	5	332BULK	5	14-1/2"	15"	S	458PKG	1	458BULK	1
2-1/2"	2-7/8"	S	333PKG	5	333BULK	5	15"	15-1/2"	S	459PKG	1	459BULK	1
2-5/8"	3"	S	334PKG	5	334BULK	5	15-1/2"	16"	S	460PKG	1	460BULK	1
2-3/4"	3-1/8"	S	335PKG	5	335BULK	5							
2-7/8"	3-1/4"	S	336PKG	5	336BULK	5							
3"	3-3/8"	S	337PKG	5	337BULK	5							
3-1/8"	3-1/2"	S	338PKG	5	338BULK	5							
3-1/4"	3-5/8"	S	339PKG	5	339BULK	5							
3-3/8"	3-3/4"	S	340PKG	5	340BULK	5							
3-1/2"	3-7/8"	S	341PKG	5	341BULK	5							
3-5/8"	4"	S	342PKG	5	342BULK	5							
3-3/4"	4-1/8"	S	343PKG	5	343BULK	5							
3-7/8"	4-1/4"	S	344PKG	5	344BULK	5							
4"	4-3/8"	S	345PKG	5	345BULK	5							
4-1/8"	4-1/2"	S	346PKG	5	346BULK	5							
4-1/4"	4-5/8"	S	347PKG	5	347BULK	5							
4-3/8"	4-3/4"	S	348PKG	2	348BULK	2							
4-1/2"	4-7/8"	S	349PKG	2	349BULK	2							
5-1/2"	5-7/8"	S	357PKG	2	357BULK	2							
1/4" Width													
4-1/2"	5"	S	425PKG	2	425BULK	2							
4-5/8"	5-1/8"	S	426PKG	2	426BULK	2							
4-3/4"	5-1/4"	S	427PKG	2	427BULK	2							
4-7/8"	5-3/8"	S	428PKG	2	428BULK	2							
5"	5-1/2"	S	429PKG	2	429BULK	2							
5-1/8"	5-5/8"	S	430PKG	2	430BULK	2							
5-1/4"	5-3/4"	S	431PKG	2	431BULK	2							
5-3/8"	5-7/8"	S	432PKG	2	432BULK	2							
5-1/2"	6"	S	433PKG	2	433BULK	2							
5-5/8"	6-1/8"	S	434PKG	2	434BULK	2							
5-3/4"	6-1/4"	S	435PKG	2	435BULK	2							
5-7/8"	6-3/8"	S	436PKG	2	436BULK	2							
6"	6-1/2"	S	437PKG	2	437BULK	2							
6-1/4"	6-3/4"	S	438PKG	2	438BULK	2							
6-1/2"	7"	S	439PKG	2	439BULK	2							

Numerical List Size & Type

RADIAL SHAFT SEALS



Part No.	Lip Mat'l	Shaft Size	Hsg Bore	Seal O.D.	Seal Width	Type/ Illus.	Part No.	Lip Mat'l	Shaft Size	Hsg Bore	Seal O.D.	Seal Width	Type/ Illus.
1000 SERIES							1000 SERIES (cont.)						
1012N	S		62,00	62,30	8,00	35	1936	S		64,00	64,28	12,50	#
		1.772	2.441	2.453	0.315				1.929	2.520	2.531	0.492	
1019 ¹	H		93,00	93,27	9,00	32	1940 ²	N	1.378	1.953	1.961	0.433	32
		2.992	3.661	3.672	0.354		1941	S	1.969	3.051	3.071	0.354	47
1021V ¹	V		87,00	87,40	8,50	32	1943	S	1.772	2.843	2.848	0.295	44
		2.756	3.425	3.441	0.335		1948	S		68,00	68,28	8,00	35
1036 ²	S		76,00	76,25	9,00	40			1.969	2.677	2.688	0.315	
		1.575	2.992	3.002	0.354		1949	S		62,00	62,10	7,00	48
1037	S	1.125	1.500	1.504	0.250	35		1.890	2.441	2.445	0.276		
1038 ²	N		59,00	59,30	9,00	32	1950 ³	S		53,00	53,25	7,00	41
		1.496	2.323	2.335	0.354			1.614	2.087	2.096	0.276		
1049	S	0.750	1.125	1.129	0.250	33	1953 ^{2,3}	N		60,00	60,22	7,00	32
1108 ²	S		48,00	48,40	7,00	32		1.654	2.362	2.371	0.276		
		1.378	1.890	1.906	0.276		1955	S		65,00	65,30	9,00	35
1120 ¹	V		53,00	53,30	7,00	32		2.047	2.559	2.571	0.354		
		1.496	2.087	2.098	0.276		1956	S		62,00	62,10	9,00	#
1126	S	1.535	1.988	1.998	0.335	25		1.890	2.441	2.445	0.354		
1129	S		40,00	40,25	7,00	35	1959	S	1.874	2.781	2.789	0.354	32
		1.181	1.575	1.585	0.276		1960 ³	S		70,00	70,23	9,00	47
1146 ¹	N		76,00	76,28	12,50	32		1.969	2.756	2.765	0.354		
		1.575	2.992	3.003	0.492		1962 ^{3,4}	S		52,00	52,12	8,50	78
1147 ²	N		76,00	76,28	9,00	40		1.575	2.047	2.052	0.335		
		1.378	2.992	3.003	0.354		1965	V		60,00	60,20	8,00	48
1167	N		52,00	52,25	11,00	32		1.417	2.362	2.370	0.315		
		1.260	2.047	2.057	0.433		1973	S		65,00	65,30	8,00	25
1172 ²	H		47,00	47,40	7,00	32		1.890	2.559	2.571	0.315		
		1.378	1.850	1.866	0.276		1974	S		67,00	67,27	11,00	97
1173	N		67,00	67,27	12,00	40		1.969	2.638	2.648	0.433		
		1.378	2.638	2.648	0.472		1979 ²	N		75,00	75,10	12,00	47
1174	S		52,00	52,25	8,50	32		1.772	2.953	2.957	0.472		
		1.496	2.047	2.057	0.335		1981	S		45,00	45,23	8,00	35
1176	N		65,00	65,27	12,00	#		1.181	1.772	1.781	0.315		
		1.496	2.559	2.570	0.472		1984	S		67,00	67,11	6,00	25
1177	N		74,00	74,27	11,00	32		2.244	2.638	2.642	0.236		
		1.496	2.913	2.924	0.433		1986	S		88,00	88,25	8,00	48
1180	S		55,00	55,29	7,00	32		2.835	3.465	3.474	0.315		
		1.614	2.165	2.177	0.276		1987	N		49,00	49,20	6,00	33
1183	S		55,00	55,25	8,00	34		1.378	1.929	1.937	0.236		
		1.693	2.165	2.175	0.315		1989	S	1.126	1.693	1.699	0.256	47
1188	S		62,00	62,25	6,00	34	1990 ^{2,3}	N		43,00	43,25	9,00	32
		1.890	2.441	2.451	0.236			1.063	1.693	1.703	0.354		
1196	S		52,00	52,25	6,00	47	1992 ³	S		65,00	65,10	5,00	47
		1.496	2.047	2.057	0.236			1.772	2.559	2.563	0.197		
1208	S		72,00	72,31	7,00	32	1993	S		73,00	73,28	12,50	47
		1.890	2.835	2.847	0.276			2.205	2.874	2.885	0.492		
1209	S		65,00	65,33	8,50	35	1994	S		70,00	70,28	10,00	32
		1.969	2.559	2.572	0.335			1.890	2.756	2.767	0.394		
1213N ³	N		54,00	54,10	5,50	47	1999 ³	S	1.625	2.251	2.255	0.375	48
		1.575	2.126	2.130	0.217		2000 SERIES						
1217	N		52,00	52,28	9,00	35	2002	S		65,00	65,28	12,50	47
		1.575	2.047	2.058	0.354			2.126	2.559	2.570	0.492		
1928	S		81,00	81,10	9,00	47	2003N ³	S		55,00	55,09	11,10	47
		2.244	3.189	3.193	0.354			1.417	2.165	2.169	0.437		
1932	S		68,00	68,28	5,00	49	• 2006BG	S	0.390	0.999	1.005	0.125	#
		2.205	2.677	2.682	0.197		2007N ²	S		56,00	56,30	9,00	#
1935	S		90,00	90,10	7,00	47		1.378	2.205	2.217	0.354		
		2.480	3.543	3.554	0.276		2011 ²	N		75,00	75,26	12,00	40
								1.575	2.953	2.963	0.472		

NUMERIC SECTION

¹Counter-Clockwise-Spiral Lip Design; ²Clockwise-Spiral Lip Design; ³Redicoat®; ⁴Flanged O.D.; ; • Non Stock Item - Special Order

Numerical List Size & Type

RADIAL SHAFT SEALS

NUMERIC SECTION

Part No.	Lip Mat'l	Shaft Size	Hsg Bore	Seal O.D.	Seal Width	Type/Illus.	Part No.	Lip Mat'l	Shaft Size	Hsg Bore	Seal O.D.	Seal Width	Type/Illus.
2000 SERIES (cont.)							3000 SERIES (cont.)						
2012V ²	V	1.673	2.146	2.157	0.236	32	3292 ³	S	5.375	6.875	6.882	1.000	89
2016 ¹	S		45,00	45,20	15,00	#	3341 ^{1,3}	H	4.812	5.544	5.552	0.535	100
		1.181	1.772	1.780	0.591		3357 ³	S	1.496	2.049	2.053	0.250	283
2025	V		60,00	60,42	7,00	32	3385 ^{3,7}	S	3.180	4.180	4.185	0.750	74
		1.654	2.362	2.379	0.276		3393 ¹	V	2.375	3.000	3.013	0.400	32
2027	S		24,00	24,20	5,00	35	3395³	S	1.437	2.061	2.066	0.312	47
		0.591	0.945	0.953	0.197		3404 ²	H	1.996	2.743	2.751	0.325	75
2043 ³	S	1.940	2.762	2.766	0.500	47	3404V ^{2,3}	V	1.996	2.743	2.751	0.325	75
2055 ³	S	3.468	4.626	4.631	0.625	47	3459 ^{3,7}	N		58,00	58,14	9,00	74
2064 ⁶	S	4.166	5.625	6.800	0.210	#			1.575	2.283	2.289	0.354	
2081 ^{3,7}	S	2.843	3.939	3.944	0.495	41	3476 ^{2,3}	N		47,00	47,24	10,00	32
2146	S	1.687	2.560	2.579	0.375	#			1.260	1.850	1.860	0.394	
2194 ^{1,3}	N	1.500	2.372	2.376	0.420	88	3492V ³	V	5.000	5.751	5.756	0.500	48
2218 ^{1,3}	H	3.750	4.751	4.756	0.500	47	3543 ^{3,7}	H	1.378	2.161	2.167	0.577	57
2222 ³	S	2.750	3.773	3.781	0.435	286	3553 ³	S	2.201	2.735	2.741	0.197	284
2260	V	3.125	3.936	3.943	0.512	45	3591 ³	N	2.750	5.501	5.506	1.266	90
2286 ³	S	2.201	3.519	3.523	0.590	74	3592 ³	N	3.000	5.501	5.506	1.266	90
2287	S	0.750	1.250	1.254	0.280	274	3604 ^{2,3}	V	1.812	2.777	2.783	0.455	86
2291 ³	H	3.125	4.125	4.130	0.500	41	3618 ^{2,3}	S	1.812	2.623	2.627	0.615	86
2297V ¹	V	6.000	6.750	6.757	0.500	25	3622 ^{3,7}	N		64,00	64,14	10,00	74
2300	S	1.318	2.620	2.625	0.875	#			1.654	2.520	2.524	0.394	
2377 ³	V	3.750	4.501	4.506	0.362	35	3638 ^{2,3}	N	1.125	1.624	1.628	0.190	48
2443 ¹	N	1.375	1.952	1.957	0.500	25	3655 ²	N		52,00	52,35	7,75	32
2457 ^{1,3}	N	2.125	2.880	2.885	0.550	74			1.378	2.047	2.061	0.305	
2465 ³	S	1.680	2.500	2.506	0.421	79	3667	S	0.690	0.997	1.003	0.295	271
2503N ^{2,3}	N	1.100	1.572	1.578	0.308	48	3677 ³	S	1.500	1.989	1.993	0.285	287
2505 ³	S	4.625	6.186	6.192	1.250	89	3698 ¹	V	2.988	3.740	3.748	0.374	32
2506 ³	S	1.558	2.372	2.376	0.350	79	3732S ²	S	1.062	1.575	1.581	0.250	48
2628 ³	H	6.204	7.328	7.336	0.562	64	3747 ^{3,7}	S	1.703	3.084	3.090	0.500	69
2655 ^{1,3}	N	1.375	2.244	2.254	0.405	79	3771 ²	H		50,00	50,34	7,00	35
2658V ^{2,3}	V	1.609	2.435	2.441	0.300	75			1.378	1.969	1.982	0.276	
2674 ³	S	2.875	4.175	4.180	0.812	89	3772 ¹	H		108,00	108,36	11,00	35
2689S	S	1.875	2.877	2.865	0.490	25			3.465	4.252	4.266	0.433	
2692 ^{2,3}	N	1.875	2.561	2.565	0.528	76	3774 ²	H		56,00	56,34	7,00	35
2791 ³	S	9.000	10.376	10.384	0.625	33			1.654	2.205	2.218	0.276	
2822V ³	V	2.062	3.000	3.005	0.375	96	3783 ³	H	2.875	3.623	3.628	0.500	65
2942 ^{2,3}	N	1.875	2.560	2.565	0.406	47	3794	S	2.010	2.650	2.655	0.363	49
2955 ^{2,3}	N	1.709	2.205	2.213	0.292	71	3813 ³	H	2.625	3.695	3.700	0.500	64
3000 SERIES							3893V	V	3.750	4.750	4.756	0.500	45
3016	S	5.875	8.001	8.007	0.750	45	3894V	V	2.500	3.499	3.505	0.500	48
3051N ²	H		55,00	55,12	8,00	33	3896 ^{2,3}	S	1.940	2.909	2.914	0.520	76
		1.654	2.165	2.170	0.315		3905 ³	N	3.000	4.938	4.943	0.303	76
3083 ²	H	1.650	2.282	2.336	0.768	48	3907 ^{3,7}	N		58,00	58,09	9,50	57
3087	S	2.048	2.728	2.732	0.590	#			1.181	2.283	2.287	0.374	
3095 ^{2,3}	S	2.240	3.190	3.194	0.450	69	3909 ¹	V	3.625	4.240	4.256	0.390	35
3100 ³	S	4.750	6.186	6.192	1.250	89	3942 ^{3,4}	S	2.500	3.226	3.231	0.190	284
3103 ^{2,3}	S	2.180	3.190	3.194	0.620	69	3945 ^{3,7}	N	2.330	3.000	3.005	0.400	48
3116N ^{1,3}	N	1.375	2.374	2.378	0.500	71	3946 ^{3,7}	S	1.875	2.750	2.754	0.485	86
3136N ^{3,7}	N	2.500	4.938	4.943	0.500	47	4000 SERIES						
3143N ³	N	3.000	5.500	5.506	0.531	74	4019N ⁷	N	2.432	3.070	3.075	0.227	47
3173 ³	N	1.937	2.686	2.690	0.304	48	4040N ¹	N	1.378	2.097	2.113	0.305	32
3186 ⁸	S	1.875	3.150	3.146	0.930	59	4072N ^{2,3}	N	1.787	3.229	3.238	0.335	83
3195 ⁸	S	1.875	3.150	3.146	0.930	59	4099 ^{3,4}	S	1.673	2.162	2.166	0.285	287
3199 ³	S	1.250	1.955	1.960	0.435	48	4131 ^{3,4}	S	2.312	3.000	3.004	0.375	287
3210 ³	S	2.437	3.624	3.628	0.375	49	4141	N	1.574	2.676	2.683	0.500	#
3214 ³	S	1.365	1.955	1.960	0.435	48	4148 ⁴	S	2.000	2.623	2.627	0.280	286

Numerical List Size & Type

RADIAL SHAFT SEALS



Part No.	Lip Mat'l	Shaft Size	Hsg Bore	Seal O.D.	Seal Width	Type/ Illus.	Part No.	Lip Mat'l	Shaft Size	Hsg Bore	Seal O.D.	Seal Width	Type/ Illus.
4000 SERIES (cont.)							4000 SERIES (cont.)						
4160	S	2.420	3.000	3.005	0.382	281	4857 ⁷	V	1.400	2.282	2.288	0.547	86
4162 ⁹	S	2.062	2.937	3.034	0.340	200E	4874N ¹	N	2.748	3.543	3.555	0.591	#
4175	S		52,00	52,22	9,00	#	4876N ²	N	2.748	5.500	5.512	0.850	#
		1.575	2.047	2.056	0.354		4889 ^{3,7}	V	1.562	2.833	2.840	0.493	#
4189H ^{3,4}	V	1.996	3.111	3.120	0.344	75	4890 ^{3,7}	V	1.562	2.873	2.880	0.493	47
4244 ⁷	S	1.552	2.400	2.402	0.415	72	4898	S		66,00	66,12	7,50	66
4249 ³	S	1.809	2.361	2.365	0.370	287			2.047	2.598	2.603	0.295	
4250 ^{3,7}	S	2.500	3.303	3.307	0.465	74	4899	S		75,00	75,13	6,50	66
4278 ³	V	1.812	3.091	3.096	0.485	86			2.205	2.953	2.958	0.256	
• 4291	S	4.375	5.375	5.383	0.500	#	4901 ⁷	N		62,00	62,28	8,00	40
• 4291SC	S	4.375	5.425	5.383	0.500	#			1.378	2.441	2.452	0.315	
4291V ⁹	V	4.375	5.375	5.425	0.500	#	4904	S		62,00	62,15	8,00	66
4307V ¹	V		92,00	92,28	9,50	32			1.929	2.441	2.447	0.315	
		2.992	3.622	3.633	0.374		4918 ^{2,3}	N	1.787	3.228	3.238	0.335	83
4333N ^{1,3}	N	1.886	2.699	2.704	0.350	79	4934 ^{1,3}	N	1.503	2.374	2.379	0.374	79
4353 ³	V	7.375	9.615	9.622	0.979	#	4941V ³	V	1.552	3.160	3.165	0.608	74
4354V ³	V	6.625	9.615	9.622	0.979	#	4950 ^{2,3}	N	1.748	2.619	2.627	0.330	88
4370N ^{1,3}	N	1.503	2.376	2.383	0.420	88	4981V ^{1,3}	V	1.685	2.500	2.506	0.421	79
4434V	V	1.552	3.160	3.166	0.567	86	4989	S		62,00	62,26	14,00	#
• 4458VGR	V	0.984	1.499	1.504	0.250	#			1.457	2.441	2.451	0.551	
4458V ³	V	0.984	1.499	1.504	0.250	#	4990 ³	S		68,00	68,28	7,00	281
4462N	N	0.942	2.097	2.109	0.938	#			2.047	2.677	2.688	0.276	
4503N ⁷	N	1.886	2.750	2.765	0.469	#	4100 SERIES						
4525V	V	2.500	4.035	4.040	0.419	72	• 4144VGR	V	5.000	6.997	7.003	1.093	41
4528N ^{1,3}	N		65,00	65,15	24,50	66	4300 SERIES						
		1.890	2.559	2.565	0.965		4359V	T	3.740	4.528	4.540	0.492	32
4529N ^{2,3}	N	1.375	2.047	2.052	0.330	68	5000 SERIES						
4530 ^{1,3}	N	1.502	2.126	2.132	0.492	96	5070	F	1.803	2.965	2.969	0.250	29
4532N ^{1,3}	N	1.375	3.542	3.549	0.397	93	5109	S	2.496	3.245	3.248	0.485	#
4539V ^{2,3}	V	2.367	3.366	3.374	0.257	75	5111S	S	2.630	3.240	3.245	0.215	#
4561V ¹	V	2.503	3.428	3.439	0.709	#	5113	S	2.000	2.745	2.749	0.230	203
4563V ²	V	2.938	3.937	3.947	0.552	#	5115 ^{2,3}	S	1.500	2.249	2.254	0.250	47
4564V ²	V	2.748	3.876	3.886	0.552	#	5119	S	2.375	3.265	3.270	0.495	49
4577 ^{2,3}	N	1.874	2.676	2.682	0.410	74	5121	S	1.940	2.622	2.626	0.580	281
4583 ^{1,3}	N	1.502	2.377	2.381	0.374	86	5123 ³	S	2.562	3.090	3.095	0.375	280
4598 ²	N	2.000	2.878	2.882	0.340	83	5124 ³	S	1.326	2.226	2.247	0.500	48
4613N ^{3,7}	N	1.377	2.874	2.881	0.693	57	5126	S	1.875	2.813	2.817	0.500	74
4614N ^{3,7}	N	1.377	2.162	2.167	0.354	87	5128N	N	3.375	3.948	3.955	0.375	32
4615V ^{2,3}	V		67,00	67,13	7,16	83	5131 ^{3,7}	S	1.318	2.280	2.286	0.906	#
		1.654	2.638	2.643	0.282		5133	V	1.812	2.562	2.566	0.312	48
4624V ³	V	2.503	3.628	3.633	0.500	86	5727	F	1.625	2.722	2.727	0.406	205
4635V ^{2,3}	V	2.141	3.484	3.493	0.329	#	5751	L	3.125	4.562	4.567	1.198	34
4638N ³	N	1.375	1.982	1.989	0.192	47	5756	F	2.062	3.151	3.156	0.240	29
4674N ^{3,7}	N	1.605	2.795	2.804	0.364	#	5778 ³	N	1.552	3.160	3.165	0.645	72
4701N ³	N	0.408	1.004	1.008	0.208	49	5778V	V	1.552	3.160	3.165	0.645	72
4738N ^{3,7}	N	1.190	1.969	1.975	0.261	48	5796	L	1.562	2.686	2.690	0.375	201
4739 ³	S	2.000	2.561	2.565	0.250	282	5827	L	1.750	2.750	2.754	0.484	201
4740 ³	S	2.180	2.999	3.004	0.250	282	5836	L	1.734	2.726	2.730	0.500	201
4741 ^{1,3}	V	2.200	3.022	3.028	0.422	79	5857	F	1.000	1.499	1.503	0.312	29
4748N ^{3,7}	N	1.190	1.889	1.896	0.860	#	5865	L	2.000	2.750	2.754	0.187	4L
4762N ^{3,7}	N	1.619	2.841	2.849	0.500	74	5872S	S	1.375	2.000	2.004	0.320	45
4763S	S	1.625	2.562	2.566	0.437	#	5877	L	2.062	2.842	2.846	0.450	5L
4764 ^{1,3}	N	1.598	2.476	2.483	0.420	86	5924	L	2.312	3.313	3.318	0.375	4L
4765 ^{1,3}	V	1.598	2.476	2.483	0.350	79	5965 ⁹	L	3.500	4.437	4.437	0.437	8L
4795V ^{3,7}	V	1.399	2.482	2.750	0.310	74							
4813V ^{2,3}	V	1.178	2.447	2.452	0.500	86							

NUMERIC SECTION

¹Counter-Clockwise-Spiral Lip Design; ²Clockwise-Spiral Lip Design; ³Redicoat®; ⁴Flanged O.D.; ⁷Bi-Directional Lip Design; ⁹External Bore; ; • Non Stock Item - Special Order

Numerical List Size & Type

RADIAL SHAFT SEALS

NUMERIC SECTION

Part No.	Lip Mat'l	Shaft Size	Hsg Bore	Seal O.D.	Seal Width	Type/ Illus.	Part No.	Lip Mat'l	Shaft Size	Hsg Bore	Seal O.D.	Seal Width	Type/ Illus.
5000 SERIES (cont.)							6000 SERIES (cont.)						
5976S	S	0.875	1.245	1.256	0.187	34	6936S	S	1.763	2.412	2.416	0.375	45
6000 SERIES							6949S	S	1.750	2.875	2.880	0.500	274
6064	F	1.875	2.965	2.969	0.250	29	6954S	S	2.062	3.000	3.005	0.310	44
6090S	S	2.000	2.630	2.750	0.562	273	• 6957RA	N	2.130	2.762	2.766	0.250	48
6163S	S	2.000	2.875	2.879	0.703	21	6960	L	1.830	2.570	2.574	0.250	4L
6186	L	2.187	3.189	3.194	0.718	1L	6985	F	1.875	2.628	2.633	0.347	29
6200	L	1.375	2.250	2.252	1.062	9L	6988H	H	1.937	2.686	2.690	0.500	33
6241S	S	1.375	2.437	2.441	0.250	48	7000 SERIES						
6270 ³	S	3.937	5.371	5.377	0.906	21	7013S	S	0.750	1.311	1.315	0.312	25
6283S	S	1.610	2.500	2.531	0.300	26	7014S	S	0.875	1.254	1.260	0.205	4S
6312 ⁹	L	1.500	2.187	2.187	0.500	8L	7022S	S	1.687	2.328	2.332	0.531	276
6324S	S	0.968	1.500	1.507	0.187	34	7038SA ^{1,3}	S	1.687	2.502	2.506	0.582	41
6329S	S	4.687	5.751	5.756	0.750	7S	7044NA ²	S	1.812	3.000	3.005	0.455	86
6336S ⁹	S	1.562	2.684	2.701	0.250	26	7105S	S	1.875	3.375	4.812	0.312	51
6357S	S	0.796	1.499	1.503	0.625	92	7186S	S	1.812	2.718	2.722	0.270	200
6358 ^{3,7}	S	3.187	4.625	4.630	0.442	47	7188S	S	0.625	0.999	1.003	0.250	33
6370N	N	1.299	1.828	1.832	0.375	33	7208S ⁹	S	3.250	4.500	4.600	0.315	200E
6380	F	2.125	3.436	3.440	0.625	29	7214	S	0.750	1.031	1.035	0.313	49
• 6402S	S	1.812	2.250	2.258	0.312	35	7216	L	1.875	3.105	3.110	0.500	47
6460S	S	1.875	2.758	2.762	0.500	41	7300S ^{1,3}	N	1.685	2.500	2.506	0.421	79
6481S ³	S	3.125	7.000	8.250	1.003	51	7354N ⁹	N	4.375	5.373	5.500	0.570	8S
6545 ³	F	1.500	2.062	2.066	0.250	21	7354V ⁹	V	4.375	5.373	5.500	0.570	8S
6565N ³	N	4.125	4.999	5.004	0.468	41	7381S	S	1.687	2.684	2.690	0.250	24
6575S	S	2.474	3.543	3.548	0.285	200	7399S	S	0.625	0.937	0.945	0.187	24
6584S	S	3.250	4.500	4.507	0.718	74	7412S ^{2,3}	S	1.250	1.750	1.754	0.250	48
6590S	S	2.093	2.717	2.721	0.406	204	7457N ³	N	1.656	2.623	2.627	0.455	1S
6597S	S	1.375	1.829	1.837	0.187	34	7486S	S	1.750	2.374	2.381	0.437	35
6612S	S	3.500	5.250	5.258	0.562	#	7495S	S	1.375	2.250	2.254	0.713	61
6626S	S	2.125	2.875	2.879	0.312	4S	7512SSO	S	2.500	4.500	6.125	0.400	51
6635S ³	S	4.375	6.064	6.071	0.625	45	7537S	S	1.500	2.062	2.066	0.240	24
6636S	S	2.187	3.187	3.194	0.687	35	7568 ³	H	2.222	3.543	3.548	0.760	12
6638S ³	S	3.500	4.841	4.848	0.875	#	7581H ⁴	H	2.500	3.500	3.505	0.500	48
6649	S	3.125	8.250	8.257	0.571	52	7600S ³	S	1.825	2.750	2.754	0.468	47
6663S	S	4.750	6.618	6.625	1.141	89	7607	F	1.730	2.336	2.340	0.280	75
6668S	S	1.375	1.875	1.878	0.187	33	7687S	S	1.378	2.500	2.513	0.435	35
6703S	S	1.750	2.250	2.258	0.187	35	7692S ^{1,3}	N	1.500	2.372	2.376	0.420	79
6712NA ^{2,3}	N	1.875	2.758	2.762	0.425	75	7700S ³	S	4.625	6.622	6.629	1.093	21
6759S	S	1.500	1.997	2.001	0.531	1S	7750	S	0.750	1.124	1.128	0.188	48
6760S	S	1.375	2.062	2.072	0.250	35	7751H	H	1.968	2.686	2.690	0.370	33
6781	L	1.796	2.725	2.730	0.500	201	7780N	L	2.667	3.751	3.756	0.500	4L
6785	F	2.480	3.310	3.316	0.500	35	7781S	S	1.250	1.983	1.987	0.250	203
6808N ³	N	1.875	3.160	3.165	0.562	45	7790H ³	H	2.125	3.193	3.198	0.812	47
6815 ³	S	1.940	2.500	2.505	0.250	286	7834	L	1.750	2.502	2.506	0.680	5S
6818	S	1.739	3.000	3.008	0.500	71	7840S	S	0.875	1.249	1.254	0.187	31
6832S	S	1.125	1.935	1.942	0.625	204	7866S	S	4.875	6.375	6.625	0.500	75
6835S	S	0.750	1.250	1.254	0.312	33	7886S	S	1.500	2.437	2.441	0.250	48
6840S	S	1.730	2.336	2.340	0.250	4S	7929S	S	0.742	1.063	1.067	0.187	33
6847S	S	1.000	1.250	1.254	0.536	#	7934S	S	1.875	2.400	2.405	0.240	204
6859S	S	1.247	1.687	1.691	0.312	33	7937N	N	2.250	3.061	3.066	0.500	41
6863S	S	0.437	0.999	1.007	0.250	35	7994S	S	1.562	2.062	2.066	0.200	44
6864S ³	S	4.050	5.501	5.506	0.671	45	8000 SERIES						
6872S	S	5.500	6.312	6.316	1.250	47	8059S	S	0.968	1.686	1.690	0.312	25
6879H	H	2.125	2.875	2.879	0.375	33	8121S	N	1.730	2.336	2.340	0.470	25
6906S	S	1.250	1.969	1.972	0.468	204	8126S ³	S	5.000	6.622	6.629	0.906	89
6930	L	1.812	4.123	4.128	0.746	21	8133S ³	S	1.362	2.191	2.195	0.250	48

Numerical List Size & Type

RADIAL SHAFT SEALS



Part No.	Lip Mat'l	Shaft Size	Hsg Bore	Seal O.D.	Seal Width	Type/ Illus.	Part No.	Lip Mat'l	Shaft Size	Hsg Bore	Seal O.D.	Seal Width	Type/ Illus.	
8000 SERIES (cont.)							9000 SERIES (cont.)							
8139	F	2.000	2.961	2.971	0.250	#	9344S	S	1.375	4.572	4.582	0.259	54	
8160S	S	1.562	2.441	2.457	0.500	32	9363S ³	S	1.500	2.260	2.264	0.405	41	
8165 ³	H	1.875	3.000	3.005	0.625	#	9376	S	1.055	1.500	1.504	0.268	68	
8181NA ²	S	1.812	2.623	2.627	0.455	74	9406S	S	2.000	2.625	2.629	0.285	279	
8243	F	2.125	3.146	3.153	0.500	#	9449 ^{1,3}	S	1.887	2.700	2.704	0.582	74	
8293S	S	1.238	2.250	2.254	0.500	48	9487	S	1.187	1.716	1.720	0.248	68	
8312 ³	S	2.136	2.904	2.910	0.326	272	9555S ³	S	9.500	12.499	12.509	0.687	74	
8316 ²	N		70,00	70,28	11,00	32	9568 ³	S	1.365	2.374	2.379	0.435	48	
		2.008	2.756	2.767	0.433		9569S ³	S	1.365	2.259	2.264	0.435	99	
8362	S	1.875	2.315	2.321	0.203	33	9584 ³	S	3.562	4.755	4.761	0.550	74	
8370S	S	3.797	4.501	4.506	0.250	4S	9599S ^{2,3}	S	2.125	2.878	2.884	0.437	47	
8421S	S	1.562	2.062	2.066	0.250	33	9600S ³	S	3.125	5.985	6.000	0.955	#	
8429S	S	1.247	2.625	2.633	0.480	#	9613S ^{1,3}	S	1.500	2.377	2.381	0.470	71	
8430S	S	2.125	3.000	3.005	0.312	49	9773 ³	N	2.625	4.564	4.568	0.718	74	
8460N ^{3,4}	N	1.739	2.812	3.270	0.593	74	9845 ^{2,3}	V	1.763	2.409	2.416	0.375	47	
8477S	S	1.618	2.531	2.535	0.750	48	9845V ^{2,3}	V	1.763	2.409	2.416	0.375	47	
8515N	N	1.875	2.812	2.816	0.770	74	9864S ³	S	2.875	3.875	3.880	0.515	57	
8516N	N	1.687	2.623	2.627	0.437	47	9912 ⁸	S	1.875	2.877	2.865	0.470	25	
8521S ⁹	S	1.872	2.684	2.701	0.544	200E	9943 ⁹	S	2.562	3.727	3.777	0.490	#	
8549S	S	1.360	4.560	2.328	0.323	#	30000 SERIES							
8594S	S	1.350	2.571	2.575	0.706	62	35949N ³	N	2.937	3.937	3.942	0.500	41	
8597S	S	1.491	2.191	2.195	0.250	48	37921 ¹	T	4.125	4.999	5.005	1.037	PDW	
8609	V	0.812	1.250	1.254	0.254	47	37939 ¹	T	4.000	4.999	5.005	0.500	PDW	
8610 ^{2,3}	S	1.521	2.656	2.660	0.424	74	38832 ²	T	0.875	1.375	1.379	0.312	94	
8611N ³	S	1.521	2.656	2.660	0.594	74	39000 SERIES							
8622 ³	S	1.940	2.813	2.817	0.428	88	39140 ¹	T	1.375	2.125	2.129	0.375	94	
8635S	S	5.500	7.624	7.631	1.250	21	39302 ^{2,3}	T	2.125	3.189	3.194	0.437	W-H	
8650S	S	2.125	2.996	3.001	0.687	1L	39608 ¹	T	3.750	4.750	4.756	0.500	DW-H	
8660S ^{3,7}	S	1.399	2.292	2.296	0.460	48	39701 ¹	T	7.250	8.125	8.133	0.500	FW-H	
8676S	S	1.375	4.567	4.582	0.259	54	39703 ²	T	3.625	4.751	4.756	0.500	FW-H	
8695S ^{3,7}	S	1.550	2.686	2.690	0.500	47	39705 ²	T	3.750	4.750	4.756	0.500	FW-H	
8704S	S	1.893	2.434	2.438	0.250	33	39711 ²	T	1.562	2.125	2.129	0.375	FW-H	
8705S	S	1.734	2.400	2.405	0.230	277	39713 ^{3,7}	T	1.250	1.812	1.817	0.235	DW-H	
8724S ³	S	7.995	11.625	11.633	1.078	41	39715 ¹	T	6.000	7.475	7.481	0.590	#	
8773S ²	S	0.687	1.250	1.254	0.250	25	39719 ^{1,3}	T	2.125	3.189	3.194	0.437	W-H	
8792S	S	0.500	0.751	0.756	0.192	31	39723 ²	T	4.000	5.000	5.005	0.500	FW-H	
8835S ^{3,7}	S	1.618	2.575	2.579	0.460	33	39801 ¹	T	5.000	6.000	6.006	0.413	FW-H	
8871 ³	S	2.000	2.562	2.566	0.220	286	39802 ²	T	2.875	3.623	3.628	0.500	FW-H	
8907	S	5.937	6.801	6.806	1.125	#	39803 ²	T	2.500	3.130	3.135	0.315	FW-H	
8935S	S	1.558	2.250	2.254	0.437	79	39804 ²	T		93,00	93,12	8,00	FW-H	
8940S	S	1.523	2.714	2.718	0.500	48			2.953	3.661	3.666	0.315		
8971H ³	H	5.125	6.125	6.131	0.750	7S	39805 ¹	T		5.118	5.906	5.923	0.583	FW-H
8974S	S	2.180	3.000	3.005	0.495	49	39807 ¹	T	6.000	6.750	6.756	0.437	W-H	
8975S ³	S	2.512	3.506	3.510	0.290	49	39809 ²	T	3.125	4.125	4.130	0.437	W-H	
8976S	S	3.125	4.173	4.179	0.290	49	39813 ²	T	3.625	4.751	4.756	0.500	W-H	
8998 ⁹	S	1.996	2.000	2.878	0.250	44	39821	T	2.272	2.654	2.661	0.250	W	
9000 SERIES							39823 ²	T	6.000	6.750	6.757	0.625	DW-H	
9015S	S	2.000	2.561	2.565	0.549	44	39835 ^{2,3}	T	1.812	2.563	2.567	0.375	W	
9049N	S	1.880	2.562	2.566	0.250	25	39837 ¹	T	3.750	4.750	4.756	0.500	W-H	
9128S ^{3,7}	S	4.166	5.501	5.506	0.600	45	39849 ²	T	4.375	5.502	5.506	0.500	FW-H	
9150S	S	1.937	2.578	2.830	0.292	25	39851 ^{1,3}	T	2.125	2.875	2.879	0.437	FW-H	
9161 ³	S	1.326	2.312	2.316	0.435	48	39853 ^{2,3}	T	2.125	2.875	2.879	0.437	FW-H	
9178S	S	1.687	2.605	2.609	0.235	4S	39861 ¹	T	6.496	9.600	9.606	0.540	#	
9316 ³	N	1.875	3.160	3.165	0.695	72	39865 ²	T	3.543	6.215	6.220	0.562	#	
9339S	S	3.500	4.450	4.455	0.525	278								

NUMERIC SECTION

¹Counter-Clockwise-Spiral Lip Design; ²Clockwise-Spiral Lip Design; ³Redicoat®; ⁴Flanged O.D.; ⁵Bi-Directional Lip Design; ⁶Expanded O.D.; ⁹External Bore

Numerical List Size & Type

RADIAL SHAFT SEALS

NUMERIC SECTION

Part No.	Lip Mat'l	Shaft Size	Hsg Bore	Seal O.D.	Seal Width	Type/ Illus.	Part No.	Lip Mat'l	Shaft Size	Hsg Bore	Seal O.D.	Seal Width	Type/ Illus.
39000 SERIES (cont.)							40000 SERIES (cont.)						
39867 ^{1,3}	T		41,00	41,09	8,00	W-H	40395S	S	1.375	1.874	1.879	0.250	4S
		0.984	1.614	1.618	0.315		40401	L	2.000	2.501	2.506	0.250	4L
39869 ²	T		41,00	41,10	8,00	#	40410S	S	2.000	2.623	2.627	0.250	4S
		1.102	1.614	1.618	0.315		40433S	S	2.250	3.125	3.130	0.250	4S
39875 ²	T		54,00	54,10	25,00	#	40438S	S	1.562	2.374	2.378	0.250	4S
		1.496	2.126	2.130	0.984		40468	L	1.484	2.254	2.258	0.250	4L
39877 ^{3,7}	T		1.929	2.563	2.567	W-H	40494S	S	1.750	2.502	2.506	0.250	4S
39880 ¹	T		5.000	5.999	6.006	94	40520S	S	2.250	3.000	3.005	0.250	4S
39881 ¹	T	4.993	6.000	6.006	0.413	FW-H	40522S	S	1.375	2.000	2.004	0.250	4S
39882 ²	T	3.620	4.625	4.630	0.400	FW-H	40555	L	2.500	3.000	3.005	0.250	4L
39883 ¹	T	6.238	8.655	8.661	1.100	90	40555S	S	2.500	3.000	3.005	0.250	4S
39885 ¹	T	6.198	7.329	7.336	0.354	FW-H	40566S	S	2.125	2.875	2.879	0.250	4S
39886 ¹	T	6.202	7.329	7.336	0.377	DW-H	40568S	S	1.625	2.625	2.629	0.250	4S
39887 ²	T	6.204	7.330	7.336	0.445	FW-H	40576S	S	1.187	1.996	2.000	0.250	4S
39888 ¹	T	6.198	7.329	7.336	0.445	FW-H	• 40627X	S	2.093	2.835	2.840	0.250	4S
39889 ¹	T	6.077	7.329	7.336	0.445	W-H	40652S	S	1.250	2.000	2.004	0.250	4S
39890 ²	T	6.077	7.329	7.336	0.445	W-H	40769S	S	1.312	2.282	2.286	0.250	4S
39893 ¹	T	9.052	10.709	10.720	0.625	FW-H	40973S	S	2.093	3.150	3.156	0.250	4S
39894 ²	T	9.052	10.709	10.720	0.625	FW-H	41013S	S	2.093	2.750	2.754	0.250	4S
39899 ¹	T	11.220	12.250	12.260	0.945	#	41026S	S	2.375	3.000	3.005	0.250	4S
39900 ²	T	11.220	12.250	12.260	0.945	#	41075S	S	2.250	3.443	3.447	0.250	4S
39910 ⁷	T	1.000	1.437	1.441	0.250	W	41163T ²	T	2.625	3.696	3.700	0.500	FW-H
39920 ²	T	1.562	2.062	2.067	0.188	FW-H	41257	L	1.500	1.989	1.993	0.250	4L
39925 ²	T	1.781	2.502	2.505	0.312	FW-H	41264S	S	0.625	1.250	1.254	0.250	4S
39926 ²	T		172,00	172,09	28,00	W-H	41461S	S	1.500	2.623	2.627	0.250	4S
		3.740	6.772	6.775	1.102		41509 ²	T	6.500	8.000	8.007	0.625	PDW
39930 ²	T	1.812	2.562	2.567	0.315	FW-H	41510 ¹	T	6.500	8.000	8.007	0.625	PDW
39952 ¹	T	4.646	5.751	5.756	0.500	FW-H	41526S	S	0.500	1.124	1.128	0.250	4S
39954 ¹	T	4.835	5.749	5.756	0.375	DW-H	41536 ^{2,3}	T	2.875	3.750	3.755	0.500	PDW
39956 ¹	T	5.997	7.125	7.131	0.500	DW-H	41537 ^{1,3}	T	2.875	3.750	3.755	0.500	PDW
39958 ¹	T	5.000	6.125	6.131	0.500	FW-H	41787S	S	1.250	2.062	2.066	0.250	4S
40000 SERIES							42081S	S	1.250	2.250	2.254	0.250	4S
40027S	S	0.750	1.375	1.379	0.250	4S	42101S	S	2.129	2.891	2.895	0.250	4S
40059S	S	1.500	2.374	2.378	0.250	4S	42260S	S	1.500	1.938	1.942	0.250	4S
40063S	S	1.500	2.437	2.441	0.250	4S	42311S	S	1.000	1.437	1.441	0.250	4S
40071S	S	1.875	2.623	2.627	0.250	4S	42421S	S	1.875	2.750	2.754	0.250	4S
40101S	S	2.375	3.350	3.355	0.250	4S	42763	S	1.375	2.282	2.286	0.250	4S
40120	L	1.000	1.499	1.503	0.250	4L	43034S	S	2.250	2.875	2.879	0.250	4S
40140S	S	1.250	1.752	1.756	0.250	4S	43071S	S	1.750	2.437	2.441	0.250	4S
40154S	S	1.687	2.502	2.506	0.250	4S	43076S	S	1.187	2.047	2.051	0.250	4S
40157S	S	1.000	2.000	2.004	0.250	4S	43080S	S	0.500	0.875	0.879	0.187	#
40162S	S	1.187	2.000	2.004	0.250	4S	43086S	S	2.875	4.003	4.008	0.250	4S
40169S	S	1.375	2.250	2.254	0.250	4S	43089S	S	1.375	2.374	2.378	0.250	4S
40208	L	0.968	1.499	1.503	0.250	4L	43095S	S	0.500	0.749	0.753	0.093	4S
40230S	S	1.000	1.752	1.756	0.250	4S	43290S	S	2.500	3.125	3.130	0.250	4S
40286	L	1.625	2.750	2.754	0.250	4L	44052	S	2.255	3.312	3.317	0.380	4S
40301S ³	S	2.000	3.000	3.005	0.250	4S	44053	S	1.821	2.623	2.627	0.250	4S
40316S	S	2.250	3.251	3.256	0.250	4S	45013S	S	3.000	4.003	4.008	0.250	4S
40337S	S	2.500	3.148	3.154	0.250	4S	45031S	S	3.750	4.999	5.004	0.250	4S
40370S	S	1.968	2.960	2.964	0.250	4S	45187S	S	4.000	4.876	4.881	0.250	4S
40375 ¹	V	3.228	3.789	3.800	0.394	32	45525S	S	3.500	4.125	4.130	0.250	4S
40382	L	1.500	1.983	1.987	0.250	4L	45637S	S	4.687	6.002	6.007	0.250	4S
40389S	S	2.000	2.750	2.754	0.250	4S	45653S	S	1.937	3.500	3.505	0.250	4S
40392 ^{1,3}	T	2.756	4.000	4.009	0.469	FW-H	45825S	S	3.125	3.751	3.756	0.250	4S
40395	L	1.375	1.874	1.878	0.250	4L	45827S	S	2.750	3.501	3.505	0.250	4S
							46997S	S	2.750	3.751	3.756	0.250	4S

Numerical List Size & Type

RADIAL SHAFT SEALS



Part No.	Lip Mat'l	Shaft Size	Hsg Bore	Seal O.D.	Seal Width	Type/ Illus.
40000 SERIES (cont.)						
47150S	S	4.250	5.250	5.256	0.250	4S
48144 ³	S	0.500	0.999	1.003	0.250	#
50000 SERIES						
50081	L	1.718	2.875	2.879	0.468	5L
50126	L	1.406	2.125	2.129	0.437	5L
50151S	S	1.125	1.561	1.565	0.375	5S
50197S	S	0.375	0.999	1.003	0.375	5S
50266	L	1.781	2.623	2.627	0.500	5L
50289	L	1.750	2.783	2.787	0.531	5L
50327	L	1.718	2.437	2.441	0.468	5L
50395S ³	S	1.375	1.874	1.878	0.437	5S
50405	L	0.718	1.124	1.128	0.375	5L
50445	L	0.312	1.250	1.254	0.375	5L
50468	L	1.484	2.254	2.258	0.312	5L
50528	L	1.968	2.996	3.001	0.500	5L
50568 ²	T	1.625	2.625	2.629	0.500	5S
50569	T	1.625	2.625	2.629	0.500	5S
51098 ³	S	1.500	2.502	2.506	0.437	48
51322 ³	S	1.365	2.081	2.085	0.435	5S
55028	L	3.562	4.999	5.004	0.468	5L
55030	L	3.687	4.999	5.004	0.468	5L
55078S ³	S	9.750	11.250	11.260	0.750	5S
55103S	S	16.250	18.000	18.010	0.750	45
55238	L	2.750	4.999	5.004	0.468	5L
55301S ³	S	9.000	10.000	10.010	0.750	45
55337	L	2.250	3.876	3.881	0.468	5L
55353	L	3.625	4.839	4.844	0.500	5L
55357	L	5.437	6.749	6.757	0.625	5L
55419	L	3.437	4.501	4.506	0.625	5L
55469	S	2.750	3.935	3.940	0.500	5L
55524	L	2.000	4.003	4.008	0.468	5L
55548	L	3.000	4.626	4.631	0.500	5L
55563 ²	T	3.250	4.003	4.008	0.468	5S
100000 SERIES						
100058 ^{2,3}	T	2.156	2.880	2.885	0.375	W
100085 ¹	T	3.858	4.525	4.540	0.492	32
100086 ^{1,3}	V	1.880	3.169	3.176	0.480	72
100165 ³	S		57,00	57,30	15,27	74
		1.378	2.244	2.246	0.601	
100263 ¹⁰	V	3.003	4.937	4.948	0.788	08
100357 ⁷	V	1.705	3.034	3.039	0.562	86
100470 ²	T	2.129	2.835	2.846	0.323	32
100494 ¹⁰	V	3.253	4.249	4.260	0.635	08
100495 ¹⁰	V	3.003	3.751	3.761	0.420	08
100537 ³	V		73,00	73,18	10,50	74
		1.811	2.874	2.881	0.413	
100552 ⁷	V	1.844	2.865	2.872	0.425	74
100557 ¹⁰	V	3.253	5.500	5.511	0.635	08
100712V	V	1.874	3.159	3.163	0.500	74
100715V	V	1.874	3.159	3.163	0.500	85
100727	V	2.500	4.035	4.042	0.492	74
100796 ³	N	2.160	2.973	2.979	0.421	79
100944 ¹¹	S	1.890	2.833	2.835	0.441	#
120000 SERIES						
127591 ⁷	N	2.913	4.561	4.567	1.004	#

Part No.	Lip Mat'l	Shaft Size	Hsg Bore	Seal O.D.	Seal Width	Type/ Illus.
127500 SERIES (cont.)						
127592	S	2.625	3.620	3.626	0.394	87
200000 SERIES						
200110	S	2.058	3.149	3.154	0.270	200
200133 ⁹	S	3.000	4.524	4.600	0.433	200E
200322	S		120,00	120,12	8,13	200
		2.953	4.724	4.729	0.320	
200335	S	1.750	2.623	2.627	0.290	200
200338	S	1.250	2.000	2.004	0.290	200
200339 ³	S	2.000	2.875	2.879	0.290	200
200354	S	1.750	2.718	2.722	0.359	200
200371	S	1.945	2.891	2.895	0.290	200
200392	S	2.625	3.813	3.818	0.415	200
200600 ⁹	S	1.750	2.786	2.876	0.285	200E
200640 ⁹	S	1.562	2.531	2.621	0.285	200E
200641 ⁹	S	1.625	2.462	2.467	0.250	200E
200642 ⁹	S	4.750	6.002	6.092	0.285	200
200752 ⁹	S	1.873	2.717	2.806	0.281	200E
200763 ⁹	S	2.250	3.249	3.250	0.285	200E
200851 ⁹	S	2.496	3.672	3.772	0.315	200E
200854 ⁹	S	1.750	2.718	2.728	0.294	200E
200855 ⁹	S	2.375	3.471	3.616	0.290	200E
200859 ⁹	S	1.500	2.256	2.260	0.270	200E
200861 ⁹	S	1.500	2.462	2.482	0.290	200E
200865 ⁹	S	2.065	3.125	3.130	0.294	200E
200870 ⁹	S	3.249	4.468	4.488	0.318	200E
• 200878 ⁹	S	3.504	4.921	5.021	0.321	200E
200881 ⁹	S	2.000	2.804	2.824	0.294	200E
200885 ⁹	S	1.991	2.900	2.975	0.290	200E
200886 ⁹	S	1.687	2.650	2.725	0.290	200E
200887 ⁹	S	1.562	2.237	2.257	0.290	200E
200895 ⁹	S	1.751	2.533	2.608	0.290	200E
200912 ⁹	S	1.750	2.630	2.930	0.290	200E
• 200940 ⁹	S	2.250	3.000	3.060	0.290	200E
• 200947 ⁹	S	4.000	5.510	5.560	0.320	200E
239155 ⁷	S		64,00	64,27	12,00	47
		1.772	2.520	2.530	0.472	
203000 SERIES						
203002 ³	S	1.750	2.717	2.721	0.406	203
203003	S	1.125	1.937	1.942	0.562	203
203005	S	1.000	1.780	1.785	0.468	203
203006	S	1.812	2.561	2.566	0.500	203
203008	S	1.687	2.327	2.332	0.500	203
203012	S	1.250	1.969	1.972	0.468	203
203013	S	1.500	2.327	2.332	0.406	203
203015	S	1.750	2.562	2.566	0.500	203
203016	S	1.218	1.969	1.972	0.468	203
203020	S	1.125	1.780	1.785	0.468	203
203025 ³	S	1.218	1.979	1.983	0.406	203
203029	S	1.250	1.979	1.983	0.406	203
203034	S	1.875	2.995	3.000	0.437	203
204000 SERIES						
204002	S	1.750	2.717	2.721	0.406	204
204005	S	1.000	1.780	1.785	0.468	204
204008	S	1.687	2.327	2.332	0.500	204

NUMERIC SECTION

¹Counter-Clockwise-Spiral Lip Design; ²Clockwise-Spiral Lip Design; ³Redicoat®; ⁷Bi-Directional Lip Design; ⁹External Bore; ¹⁰Sure-Lock® I.D. rib design; ¹¹ABS Sensor Ring; • Non Stock **85**
Item - Special Order

Numerical List Size & Type

RADIAL SHAFT SEALS

NUMERIC SECTION

Part No.	Lip Mat'l	Shaft Size	Hsg Bore	Seal O.D.	Seal Width	Type/ Illus.	Part No.	Lip Mat'l	Shaft Size	Hsg Bore	Seal O.D.	Seal Width	Type/ Illus.
204000 SERIES (cont.)							220000 SERIES (cont.)						
• 204013X	S	1.500	2.327	2.332	0.406	204	221820 ²	N		30,00	30,20	7,00	32
204013	S	1.500	2.327	2.332	0.406	204			0.709	1.181	1.189	0.276	
204017	S	1.625	2.327	2.332	0.406	204	221830	S		32,00	32,22	8,00	35
204020	S	1.125	1.780	1.785	0.468	204			0.709	1.260	1.269	0.315	
204027	S	1.375	2.327	2.332	0.406	204	221922	S		32,00	32,20	8,00	32
204029	S	1.250	1.979	1.983	0.406	204			0.748	1.260	1.268	0.315	
204035	S	2.296	3.148	3.153	0.359	204	222020 ³	S		32,00	32,23	5,00	35
204038	S	1.750	2.717	2.721	0.359	204			0.787	1.260	1.269	0.197	
204500	S	1.625	2.562	2.566	0.250	4S	222025 ²	N		30,00	30,20	7,00	32
204501	S	1.750	3.000	3.005	0.250	204			0.787	1.181	1.189	0.276	
204502	S	1.750	2.561	2.565	0.250	204	222028 ¹	S		34,00	34,25	7,00	32
204503	S	1.750	2.374	2.379	0.250	204			0.787	1.339	1.348	0.276	
204505	S	1.125	1.780	1.785	0.250	204	222030 ²	S		35,00	35,23	7,00	32
204506	S	2.000	3.623	3.628	0.250	204			0.787	1.378	1.387	0.276	
204507	S	1.250	1.979	1.983	0.250	204	222036	V		36,00	36,20	7,00	32
204508	S	2.000	3.062	3.066	0.250	204			0.787	1.417	1.425	0.276	
204509	S	5.000	6.250	6.256	0.250	204	222050	S		40,00	40,23	7,00	35
205000 SERIES							222060	S		47,00	47,20	7,00	35
205004	F	1.125	1.937	1.942	0.625	205			0.787	1.850	1.858	0.276	
205005	F	1.000	1.780	1.785	0.468	205	222238	S		38,00	38,20	8,00	32
205015	F	1.750	2.562	2.566	0.500	205			0.866	1.496	1.504	0.315	
205017	F	1.625	2.328	2.332	0.406	205	222240	S		40,00	40,23	7,00	35
205035	F	2.296	3.148	3.153	0.359	205			0.866	1.575	1.584	0.276	
205044	F	2.000	2.964	2.968	0.500	205	222340 ^{1,3}	N		40,00	40,23	7,00	32
210000 SERIES									0.905	1.575	1.584	0.276	
210945	S	1.750	3.371	3.376	0.625	21	222410	S		35,00	35,23	7,00	35
215271	S	5.000	5.999	6.007	0.937	21			0.945	1.378	1.387	0.276	
220000 SERIES							222430	S		40,00	40,23	7,00	35
220818	S		18,00	18,20	7,00	32			0.945	1.575	1.584	0.276	
		0.315	0.709	0.717	0.276		222535	S		38,00	38,23	7,00	32
220860	S		16,00	16,20	7,00	35			0.984	1.496	1.505	0.276	
		0.315	0.630	0.638	0.276		222540	S		40,00	40,22	7,00	47
220918	S		18,00	18,20	7,00	35			0.984	1.575	1.583	0.276	
		0.354	0.709	0.717	0.276		222558	S		44,00	44,20	7,00	32
221040	S		19,00	19,20	7,00	35			0.984	1.732	1.740	0.276	
		0.394	0.748	0.756	0.276		222630	N		38,00	38,20	8,00	32
221207	S		22,00	22,25	7,00	35			1.024	1.496	1.504	0.315	
		0.472	0.866	0.876	0.276		222655	S		48,00	48,23	7,00	32
221410	S		24,00	24,23	7,00	35			1.024	1.890	1.899	0.276	
		0.551	0.945	0.954	0.276		222742	V		42,00	42,10	7,00	48
221510	N		25,00	25,25	6,00	32			1.063	1.654	1.657	0.276	
		0.591	0.984	0.994	0.236		222743 ¹	H		43,00	43,20	9,00	32
221540	S		30,00	30,23	7,00	35			1.063	1.693	1.701	0.354	
		0.591	1.181	1.190	0.276		222745 ²	N		45,00	45,25	9,00	32
221607	N		27,00	27,20	14,00	35			1.063	1.772	1.781	0.354	
		0.630	1.063	1.071	0.551		222820	S		40,00	40,34	7,00	33
221610	N		28,00	28,23	7,00	32			1.102	1.575	1.588	0.276	
		0.630	1.102	1.111	0.276		222830 ¹	N		41,00	41,27	7,00	32
221620	S		30,00	30,23	7,00	35			1.102	1.614	1.625	0.276	
		0.630	1.181	1.190	0.276		222835	N		44,00	44,20	6,00	32
221710	N		28,00	28,23	7,00	35			1.102	1.732	1.740	0.236	
		0.669	1.102	1.111	0.276		222860 ²	N		47,00	47,22	8,00	32
221720	S		30,00	30,23	8,00	32			1.102	1.850	1.859	0.315	
		0.669	1.181	1.190	0.276		223005	S		40,00	40,23	7,00	48
221730	S		32,00	32,22	7,00	35			1.181	1.575	1.584	0.276	
		0.669	1.260	1.269	0.276		223010 ²	N		42,00	42,21	7,00	32
									1.181	1.654	1.662	0.276	

Numerical List Size & Type

RADIAL SHAFT SEALS



Part No.	Lip Mat'l	Shaft Size	Hsg Bore	Seal O.D.	Seal Width	Type/ Illus.	Part No.	Lip Mat'l	Shaft Size	Hsg Bore	Seal O.D.	Seal Width	Type/ Illus.
220000 SERIES (cont.)							220000 SERIES (cont.)						
223012 ²	N		44,00	44,20	7,00	32	223602 ²	H		49,00	49,28	7,00	32
		1.181	1.732	1.740	0.276				1.417	1.929	1.940	0.276	
223014 ²	V		45,00	45,20	6,00	32	223605 ³	S		50,00	50,08	7,00	47
		1.181	1.772	1.780	0.236				1.417	1.969	1.972	0.276	
223018	S		46,00	46,23	7,00	32	223608 ¹	S		52,00	52,20	10,00	32
		1.181	1.811	1.820	0.276				1.417	2.047	2.055	0.394	
223020	S		47,00	47,25	7,00	35	223750 ²	N		50,00	50,25	6,00	32
		1.181	1.850	1.860	0.276				1.457	1.969	1.978	0.236	
223035	S		52,00	52,18	7,00	35	223800 ²	N		50,00	50,28	10,50	32
		1.181	2.047	2.054	0.276				1.496	1.969	1.980	0.413	
223050 ²	S		50,00	50,23	9,00	32	223801	S		50,00	50,28	6,00	32
		1.181	1.969	1.978	0.354				1.496	1.969	1.980	0.236	
223051 ¹	N		50,00	50,23	9,00	32	223802 ^{2,3}	N		50,00	50,22	8,00	32
		1.181	1.969	1.978	0.354				1.496	1.969	1.977	0.315	
223215 ¹	S		42,00	42,20	10,00	40	223805	S		47,00	47,10	7,00	25
		1.260	1.654	1.661	0.394				1.496	1.850	1.854	0.276	
223220 ²	N		44,00	44,23	6,00	32	223830	N		55,00	55,28	8,00	32
		1.260	1.732	1.741	0.236				1.496	2.165	2.176	0.315	
223230 ²	N		45,00	45,23	8,00	32	223831 ²	N		55,00	55,25	9,00	32
		1.260	1.772	1.781	0.315				1.496	2.165	2.175	0.354	
223235	N		46,00	46,23	6,00	32	223840 ³	S		58,00	58,11	8,00	47
		1.260	1.811	1.820	0.236				1.496	2.283	2.288	0.315	
223240 ¹	N		48,00	48,20	9,00	40	223842	V		58,00	58,11	8,00	48
		1.260	1.890	1.898	0.354				1.496	2.283	2.288	0.315	
223252 ¹	N		52,00	52,28	11,00	32	223843	S		60,00	60,35	8,00	35
		1.260	2.047	2.058	0.433				1.496	2.362	2.376	0.315	
223253 ²	N		53,00	53,28	7,00	32	224010	S		52,00	52,28	7,00	35
		1.260	2.087	2.098	0.276				1.575	2.047	2.058	0.276	
223255	S		52,00	52,28	7,00	35	224015 ³	S		52,00	52,28	7,00	32
		1.260	2.047	2.058	0.276				1.575	2.047	2.058	0.276	
223340 ¹	S		47,00	47,20	8,00	32	224020 ²	N		55,00	55,28	8,00	32
		1.299	1.850	1.858	0.315				1.575	2.165	2.176	0.315	
223400	N		44,00	44,23	8,00	32	224025 ^{2,3}	N		56,00	56,25	7,00	48
		1.339	1.732	1.741	0.315				1.575	2.205	2.215	0.276	
223420 ²	V		48,00	48,20	7,00	32	224026	V		56,00	56,26	7,00	35
		1.339	1.890	1.898	0.276				1.575	2.205	2.215	0.276	
223510	S		47,00	47,23	7,00	35	224040	S		60,00	60,20	10,00	35
		1.378	1.850	1.859	0.276				1.575	2.362	2.370	0.394	
223520	S		50,00	50,24	8,00	35	224045 ⁷	S		62,00	62,27	11,00	32
		1.378	1.969	1.978	0.315				1.575	2.441	2.452	0.433	
223535	S		52,00	52,13	8,00	33	224052 ²	S		52,00	52,28	7,00	32
		1.378	2.047	2.052	0.315				1.575	2.047	2.058	0.276	
223540 ⁷	N		55,00	55,45	9,00	40	224053 ¹	V		52,00	52,12	7,00	32
		1.378	2.165	2.183	0.315				1.575	2.047	2.052	0.276	
223542	N		55,00	55,23	11,00	32	224063 ²	N		63,00	63,30	8,00	40
		1.378	2.165	2.174	0.433				1.575	2.480	2.492	0.315	
223543	S		56,00	56,27	10,00	32	224066 ²	N		66,00	66,30	8,00	40
		1.378	2.205	2.215	0.394				1.575	2.598	2.610	0.315	
223550	S		58,00	58,10	10,00	45	224068 ²	N		68,00	68,10	9,00	40
		1.378	2.283	2.287	0.394				1.575	2.677	2.681	0.354	
223552	S		62,00	62,28	9,50	32	224100	S		65,00	65,28	10,00	35
		1.378	2.441	2.452	0.374				1.575	2.559	2.570	0.394	
223553 ²	N		62,00	62,28	9,00	40	224200	S		55,00	55,20	7,00	32
		1.378	2.441	2.452	0.354				1.654	2.165	2.173	0.276	
223580 ²	S		68,00	68,16	9,00	40	224205 ²	N		55,00	55,33	9,00	32
		1.378	2.677	2.683	0.354				1.654	2.165	2.178	0.354	
223601	S		47,00	47,20	7,00	35	224210	S		55,00	55,28	8,00	35
		1.417	1.850	1.858	0.276				1.654	2.165	2.176	0.315	

NUMERIC SECTION

¹Counter-Clockwise-Spiral Lip Design; ²Clockwise-Spiral Lip Design; ³Redicoat®; ⁷Bi-Directional Lip Design

Numerical List Size & Type

RADIAL SHAFT SEALS

NUMERIC SECTION

Part No.	Lip Mat'l	Shaft Size	Hsg Bore	Seal O.D.	Seal Width	Type/ Illus.	Part No.	Lip Mat'l	Shaft Size	Hsg Bore	Seal O.D.	Seal Width	Type/ Illus.
220000 SERIES (cont.)							220000 SERIES (cont.)						
224215 ¹	N	58,00	58,28	8,00	32		225030	S	72,00	72,28	8,00	35	
		1.654	2.283	2.294	0.315				1.969	2.835	2.846	0.315	
224235	S	58,00	58,18	7,00	48		225040 ²	S	72,00	72,35	12,00	#	
		1.654	2.283	2.291	0.276				1.969	2.835	2.848	0.472	
224250	S	62,00	62,27	8,00	35		225050	S	80,00	80,28	8,00	35	
		1.654	2.441	2.452	0.315				1.969	3.150	3.161	0.315	
224252	S	62,00	62,27	10,00	32		225082	S	82,00	82,18	11,50	#	
		1.654	2.441	2.452	0.394				1.969	3.228	3.235	0.453	
224255 ³	N	65,00	65,15	10,00	47		225110 ³	S	65,00	65,10	7,00	47	
		1.654	2.559	2.565	0.394				2.008	2.559	2.563	0.276	
224266	S	66,00	66,28	10,00	32		225210	N	66,00	66,23	9,00	35	
		1.654	2.598	2.609	0.394				2.047	2.598	2.607	0.354	
224270	S	72,00	72,27	10,00	32		225220	S	68,00	68,28	8,00	32	
		1.654	2.835	2.845	0.394				2.047	2.677	2.688	0.315	
224450 ²	N	59,00	59,23	6,80	35		225225 ³	S	70,00	70,27	8,00	47	
		1.732	2.323	2.332	0.268				2.047	2.756	2.767	0.315	
224460 ²	S	60,00	60,28	7,00	32		225230	S	72,00	72,28	8,00	35	
		1.732	2.362	2.373	0.276				2.047	2.835	2.846	0.315	
224462 ⁷	S	62,00	62,26	8,00	32		225275 ³	S	75,00	75,11	7,50	66	
		1.732	2.441	2.451	0.315				2.047	2.953	2.957	0.295	
224464 ¹	N	62,00	62,28	10,00	32		225410	S	66,00	66,23	7,50	#	
		1.732	2.441	2.452	0.394				2.126	2.598	2.607	0.295	
224465 ²	S	65,00	65,20	11,00	32		225450	S	82,00	82,30	10,00	32	
		1.732	2.559	2.567	0.433				2.126	3.228	3.240	0.394	
224510	S	58,00	58,30	7,00	32		225500	S	68,00	68,30	8,00	32	
		1.772	2.283	2.295	0.276				2.165	2.677	2.689	0.315	
224520	S	60,00	60,25	10,00	35		225530	S	72,00	72,25	8,00	35	
		1.772	2.362	2.372	0.394				2.165	2.835	2.844	0.315	
224570	S	72,00	72,28	12,00	35		225535	S	72,00	72,20	10,50	32	
		1.772	2.835	2.846	0.472				2.165	2.835	2.843	0.413	
224650 ²	N	58,00	58,28	7,00	32		225545	S	75,00	75,35	11,00	35	
		1.811	2.283	2.294	0.276				2.165	2.953	2.967	0.433	
224660 ²	H	60,00	60,28	7,00	32		225650 ⁷	S	72,00	72,29	11,50	32	
		1.811	2.362	2.373	0.276				2.205	2.835	2.846	0.453	
224663 ²	N	63,00	63,40	7,70	35		225673 ³	S	73,00	73,23	7,50	76	
		1.811	2.480	2.496	0.303				2.205	2.874	2.883	0.295	
224810	N	62,00	62,28	7,80	32		225678	S	78,00	78,28	7,50	#	
		1.890	2.441	2.452	0.307				2.205	3.071	3.082	0.295	
224815	N	74,00	74,30	10,00	40		225875	S	75,00	75,28	9,00	32	
		1.890	2.913	2.925	0.394				2.283	2.953	2.964	0.354	
224820	S	62,00	62,10	8,00	32		225885 ⁷	N	75,00	75,13	10,00	32	
		1.890	2.441	2.445	0.315				2.205	2.953	2.958	0.394	
224840 ²	S	68,00	68,30	11,00	32		226018	N	78,00	78,28	8,00	35	
		1.890	2.677	2.689	0.433				2.362	3.071	3.082	0.315	
224870 ³	S	73,00	73,10	7,00	47		226020	S	80,00	80,29	8,00	35	
		1.890	2.874	2.878	0.276				2.362	3.150	3.161	0.315	
224872	S	72,00	72,35	8,50	32		226150	S	76,00	76,28	10,00	#	
		1.890	2.835	2.848	0.335				2.402	2.992	3.003	0.394	
224874	S	74,00	74,23	10,00	32		226285³	S	85,00	85,13	8,00	41	
		1.890	2.913	2.922	0.394				2.441	3.346	3.352	0.315	
224979 ²	N	79,00	79,10	17,50	47		226510 ²	N	81,00	81,28	7,00	32	
		1.929	3.110	3.114	0.689				2.559	3.189	3.200	0.276	
225005 ⁷	S	62,00	62,28	7,00	32		226520	S	85,00	85,27	10,00	35	
		1.969	2.441	2.452	0.276				2.559	3.346	3.357	0.394	
225010 ³	S	65,00	65,28	8,00	47		226530	S	90,00	90,28	10,00	35	
		1.969	2.559	2.565	0.315				2.559	3.543	3.554	0.394	
225020 ²	V	68,00	68,28	9,00	32		226610	N	80,00	80,11	9,00	41	
		1.969	2.677	2.688	0.354				2.598	3.150	3.154	0.354	

Numerical List Size & Type

RADIAL SHAFT SEALS



Part No.	Lip Mat'l	Shaft Size	Hsg Bore	Seal O.D.	Seal Width	Type/ Illus.	Part No.	Lip Mat'l	Shaft Size	Hsg Bore	Seal O.D.	Seal Width	Type/ Illus.
220000 SERIES (cont.)							230000 SERIES (cont.)						
227020 ¹	H		88,00	88,25	12,00	32	231250	S		150,00	150,28	12,00	35
		2.756	3.465	3.474	0.472				4.921	5.906	5.917	0.472	
227040 ^{1,3}	N		90,00	90,32	10,00	35	239146	S		54,00	54,30	7,00	48
		2.756	3.543	3.554	0.394				1.496	2.126	2.138	0.276	
227045 ^{1,3}	H		92,00	92,23	12,00	32	239201	S		52,00	52,20	6,50	40
		2.756	3.622	3.631	0.472				1.575	2.047	2.055	0.256	
227235 ¹	V		96,00	96,28	9,00	32	240000 SERIES						
		2.835	3.780	3.791	0.354		240009	S	0.625	1.124	1.135	0.175	24
227409 ¹	H		90,00	90,15	10,00	32	240023	S	0.625	1.375	1.385	0.175	24
		2.913	3.543	3.549	0.394		240119	S	0.500	0.999	1.010	0.175	24
227530	S		95,00	95,28	10,00	35	240151	S	1.125	1.561	1.572	0.187	24
		2.953	3.740	3.751	0.394		240319	S	1.500	2.000	2.010	0.187	24
227540	S		100,00	100,20	12,00	32	240356	S	1.250	1.686	1.697	0.187	24
		2.953	3.937	3.945	0.472		240385	S	0.375	0.750	0.760	0.175	24
227550 ¹	H		100,00	100,27	13,00	32	240414	S	1.000	1.437	1.447	0.187	24
		2.953	3.937	3.948	0.472		240435	S	0.250	0.750	0.760	0.175	24
228005 ¹	V		96,00	96,28	9,00	32	240457	S	0.984	1.828	1.838	0.187	24
		3.150	3.780	3.791	0.354		240462	S	1.000	1.936	1.948	0.187	24
228008 ¹	V		98,00	98,40	10,00	32	240470	S	0.437	0.875	0.885	0.175	24
		3.150	3.858	3.874	0.394		240698	S	0.312	0.625	0.635	0.175	24
228009 ¹	H		100,00	100,23	10,00	32	240716	S	1.312	1.752	1.760	0.187	24
		3.150	3.937	3.946	0.394		240731	S	1.000	1.250	1.260	0.125	24
228010 ¹	N		100,00	100,35	13,00	32	240733	S	0.875	1.124	1.135	0.125	24
		3.150	3.937	3.951	0.512		240735	S	0.750	0.999	1.010	0.156	24
228013	H		100,00	100,28	8,51	32	240736	S	1.250	1.499	1.509	0.156	24
		3.150	3.937	3.948	0.335		240816	S	0.750	1.062	1.072	0.187	24
228015 ²	H		100,00	100,20	10,00	32	240949	S	1.250	1.828	1.838	0.187	24
		3.150	3.937	3.945	0.394		250000 SERIES						
228020 ¹	H		105,00	105,27	14,00	32	250437V	V	1.156	1.575	1.580	0.312	25
		3.150	4.134	4.144	0.551		251511	S	1.250	1.625	1.630	0.188	25
228025	S		105,00	105,26	13,00	32	252277 ³	S	1.000	1.375	1.379	0.250	25
		3.150	4.134	4.144	0.512		253099	S	1.500	1.874	1.879	0.250	25
228250 ¹	V		100,00	100,20	9,00	32	253747	S	0.625	0.875	0.880	0.125	25
		3.268	3.937	3.945	0.354		254270	S	0.750	1.124	1.129	0.187	25
228410 ¹	V		104,00	104,28	11,00	32	254287	S	0.875	1.250	1.255	0.250	25
		3.307	4.094	4.106	0.433		• 255833	S	3.625	4.725	4.730	0.312	25
228411 ¹	V		104,00	104,11	8,50	32	290000 SERIES						
		3.307	4.094	4.099	0.335		291099	F	1.625	2.562	2.566	0.375	29
228480 ¹	H		105,00	105,28	12,00	74	291295	F	1.843	2.400	2.404	0.235	29
		3.228	4.134	4.145	0.462		310000 SERIES						
228520	S		110,00	110,28	12,00	35	• 310385	S	0.375	0.750	0.754	0.250	31
		3.346	4.331	4.342	0.472		310841	S	2.750	3.125	3.130	0.187	31
228700 ¹	N		100,00	100,20	8,00	32	311189	S	0.375	0.687	0.691	0.156	31
		3.425	3.937	3.945	0.315		312140	S	1.125	1.502	1.506	0.250	31
229004 ¹	H		109,00	109,20	9,00	32	312196	S	0.500	0.843	0.848	0.250	31
		3.504	4.291	4.299	0.354		312518	S	0.750	1.000	1.005	0.125	31
229005 ¹	V		110,00	110,31	12,00	32	313156	N	0.562	0.810	0.814	0.187	31
		3.543	4.331	4.343	0.472		313842	S	1.125	1.438	1.444	0.215	31
229010 ¹	H		110,00	110,31	8,50	32	314259	S	0.562	0.875	0.879	0.187	31
		3.543	4.331	4.343	0.335		314267N	N	0.625	1.000	1.005	0.125	31
229210 ⁷	V		110,00	110,26	9,50	32	320000 SERIES						
		3.622	4.331	4.341	0.374		320249 ²	V		48,00	48,21	7,60	32
229522	S		1.969	2.618	2.623	0.610			1.378	1.890	1.898	0.299	
230000 SERIES							320000 SERIES						
231003	S		125,00	125,28	12,00	35							
		3.937	4.921	4.932	0.472								
231004	H		120,00	120,12	11,00	32							
		3.937	4.724	4.735	0.433								

NUMERIC SECTION

¹Counter-Clockwise-Spiral Lip Design; ²Clockwise-Spiral Lip Design; ³Redicoat®; ⁷Bi-Directional Lip Design; ; • Non Stock Item - Special Order

Numerical List Size & Type

RADIAL SHAFT SEALS

NUMERIC SECTION

Part No.	Lip Mat'l	Shaft Size	Hsg Bore	Seal O.D.	Seal Width	Type/ Illus.	Part No.	Lip Mat'l	Shaft Size	Hsg Bore	Seal O.D.	Seal Width	Type/ Illus.
32000 SERIES (cont.)							34000 SERIES (cont.)						
320259 ²	V	2.005	2.878	2.888	0.340	32	340495	S	0.750	1.124	1.133	0.250	34
320348 ²	V		45,00	45,21	6,00	32	340724	S	0.614	0.999	1.006	0.250	34
		1.260	1.772	1.780	0.236		340771	S	0.490	0.875	0.883	0.250	34
320457	S	0.472	1.000	1.006	0.375	32	340787	S	0.937	1.375	1.383	0.250	34
320564	V		68,00	68,28	7,00	32	340797	S	0.593	0.935	0.943	0.175	34
		1.772	2.677	2.688	0.276		340815	S	1.125	1.494	1.505	0.250	34
320583 ²	S		60,00	60,30	8,00	32	340817	S	1.187	1.627	1.635	0.250	34
		1.693	2.362	2.374	0.315		340823	S	1.875	2.502	2.511	0.250	34
320595 ¹	H		45,00	45,23	8,00	32	340826	S	0.312	0.500	0.506	0.125	34
		1.142	1.772	1.781	0.315		340827	S	0.375	0.562	0.568	0.125	34
320603 ²	S		37,00	37,26	7,00	32	340835	S	1.125	1.375	1.381	0.125	34
		0.984	1.457	1.467	0.276		340847	S	0.500	0.750	0.756	0.125	34
320691 ¹	V	3.228	3.918	3.928	0.500	32	340849	S	0.625	0.875	0.883	0.093	34
321416 ²	N	1.500	2.055	2.065	0.276	32	340850	S	0.875	1.187	1.193	0.187	34
321417N ²	N	1.417	1.953	1.961	0.276	32	340853	S	1.375	1.750	1.756	0.187	34
321460 ²	S	1.781	2.251	2.259	0.375	32	340872	S	0.156	0.500	0.504	0.187	34
321516	S	1.000	2.441	2.447	0.375	32	340900	S	2.093	2.717	2.725	0.250	34
323119	S	1.750	2.715	2.721	0.437	32	340927	S	1.562	2.096	2.102	0.250	34
323125	S	1.375	2.717	2.723	0.375	32	340930	S	1.437	2.000	2.006	0.125	34
323133	S	1.125	1.781	1.787	0.406	32	341022	S	2.250	2.625	2.636	0.187	34
323138	S	1.375	1.828	1.834	0.250	32	342517	S	1.000	1.312	1.318	0.125	34
324204 ²	V		57,00	57,38	9,65	32	342613	S	0.500	0.875	0.881	0.125	34
		1.535	2.244	2.259	0.380		342614	S	0.500	0.875	0.881	0.250	34
324234V	V	0.500	1.010	1.017	0.204	32	342805	S	0.500	0.687	0.693	0.093	34
325776 ¹	V		130,00	130,30	10,00	32	343099	S	1.500	1.874	1.880	0.250	34
		4.331	5.118	5.130	0.394		343101	S	0.437	0.624	0.633	0.125	34
327215	S	4.000	4.998	5.006	0.500	32	343104	S	0.250	0.499	0.505	0.187	34
327303	S	4.500	5.251	5.259	0.437	32	343105	N	0.625	0.936	0.942	0.187	34
321000 SERIES							35000 SERIES						
321412	S	1.500	2.000	2.008	0.315	32	343123	S	1.000	1.563	1.569	0.187	34
330000 SERIES							343185	S	0.750	1.125	1.131	0.156	34
330385	S	0.375	0.750	0.754	0.250	33	343186	S	1.250	1.499	1.505	0.125	34
330663	S	1.375	1.874	1.878	0.312	33	345035	S	4.000	4.999	5.008	0.312	34
330699	S	0.500	0.875	0.879	0.187	33	345146	S	3.500	4.499	4.508	0.250	34
330749V	V	1.562	2.062	2.066	0.250	33	35000 SERIES						
331107N	H	2.000	2.746	2.750	0.375	33	350156	S	0.375	0.874	0.883	0.312	35
331227H ²	H	1.875	2.624	2.628	0.375	33	350364	S	0.312	0.750	0.756	0.250	35
331228H ^{2,3}	N	1.500	2.249	2.253	0.360	75	350394	S	1.500	2.125	2.134	0.437	35
331301N	N	2.000	2.562	2.566	0.528	33	350414	S	1.000	1.437	1.445	0.250	35
332062 ²	S	1.869	2.518	2.522	0.375	33	350435	S	0.250	0.750	0.758	0.250	35
335924N	N	4.000	4.562	4.568	0.375	33	350567	S	0.875	1.375	1.385	0.312	35
337426N ³	N	9.250	10.250	10.258	0.500	33	350572	V		72,00	72,35	7,00	35
340000 SERIES									1.575	2.835	2.848	0.276	
340009S	S	0.625	1.124	1.130	0.250	34	350609 ¹	N		68,00	68,30	8,00	35
340120	S	1.000	1.499	1.507	0.250	34			1.732	2.677	2.689	0.315	
340136	S	1.500	2.250	2.258	0.250	34	350679	S	0.750	1.250	1.258	0.312	35
340151	S	1.125	1.561	1.569	0.250	34	350823	S	1.875	2.502	2.506	0.328	35
340356	S	1.250	1.686	1.696	0.218	34	350909	S	1.000	1.502	1.510	0.312	35
340385	S	0.375	0.750	0.756	0.250	34	350936	S	1.875	2.561	2.571	0.312	35
340387	S	0.625	0.812	0.820	0.093	34	350954	S	0.750	1.250	1.256	0.250	35
340400	S	1.750	2.250	2.258	0.250	34	350974	S	1.125	1.850	1.859	0.312	35
340413	S	0.875	1.308	1.316	0.250	34	351028	S	0.490	1.122	1.132	0.265	35
340469	S	0.656	1.250	1.258	0.250	34	351267	S	0.875	1.375	1.381	0.250	35
340483	S	0.875	1.250	1.256	0.250	34	351466	S	0.625	1.124	1.130	0.250	35
							351487	S	0.625	0.999	1.005	0.250	35
							352354	S	1.375	1.874	1.880	0.250	32

Numerical List Size & Type

RADIAL SHAFT SEALS



Part No.	Lip Mat'l	Shaft Size	Hsg Bore	Seal O.D.	Seal Width	Type/ Illus.	Part No.	Lip Mat'l	Shaft Size	Hsg Bore	Seal O.D.	Seal Width	Type/ Illus.
350000 SERIES (cont.)							410000 SERIES (cont.)						
352355	S	1.375	1.874	1.880	0.312	35	410085 ³	S	2.000	2.996	3.001	0.500	41
352541	S	2.000	2.502	2.508	0.250	35	410085N ³	N	2.000	2.996	3.001	0.500	41
352560	S	1.125	1.561	1.567	0.250	35	•410087	S	1.750	3.061	3.066	0.500	41
353120	S	1.875	2.397	2.403	0.250	35	•410088	S	1.750	3.189	3.194	0.437	41
353132	S	0.875	1.308	1.314	0.250	35	•410094	S	1.937	3.189	3.194	0.437	41
353137	S	1.281	2.000	2.006	0.250	35	•410095	S	2.000	3.189	3.194	0.437	41
353141	S	1.687	2.279	2.285	0.250	35	•410097	S	2.125	3.350	3.355	0.468	41
354040	T	1.750	2.500	2.508	0.375	35	•410097N	N	2.125	3.350	3.355	0.468	41
355660H ¹	H		110,00	110,29	10,00	35	•410097V ¹²	V	2.125	3.350	3.355	0.468	41
		3.622	4.331	4.342	0.394		•410098	S	2.187	3.350	3.355	0.468	41
355669	S	3.040	3.937	3.946	0.250	35	•410099N	N	2.250	3.350	3.355	0.468	41
355732	S	2.500	4.250	4.260	0.500	35	•410100N	N	2.312	3.350	3.355	0.468	41
360000 SERIES							•410101	S	2.375	3.350	3.355	0.468	41
365008 ⁹	S	2.687	3.876	3.876	0.250	36	•410101S	S	2.375	3.350	3.355	0.468	41
380000 SERIES							•410101V	V	2.375	3.350	3.355	0.468	41
380001A	T	3.500	4.840	4.852	0.910	10	410101N ³	N	2.375	3.350	3.355	0.468	41
380003A	T	4.765	6.309	6.322	1.132	10	410102³	S	2.000	3.371	3.376	0.468	41
380009A	T	3.937	5.501	5.511	0.957	10	•410102N	N	2.000	3.371	3.376	0.468	41
380022A	T	4.500	5.750	5.753	1.000	10	•410103	S	2.375	3.481	3.486	0.500	41
380023A	T	3.875	5.690	5.703	0.770	10	•410115	S	2.125	2.996	3.001	0.500	41
380025A	T	4.625	5.998	6.011	0.937	10	•410115N	N	2.125	2.996	3.001	0.500	41
380031A	T	4.250	6.250	6.263	1.188	10	410119 ³	S	0.500	0.999	1.003	0.375	41
380036A	T	4.000	5.752	5.765	0.965	10	•410121	S	2.125	3.189	3.194	0.437	41
380048A	T	4.375	5.905	5.918	1.015	10	•410121V	V	2.125	3.189	3.194	0.437	41
380065A	T	4.250	6.007	6.020	1.000	10	•410135N	N	1.375	2.125	2.129	0.437	41
380069A	T	5.250	7.375	7.385	1.010	10	•410138	S	1.937	2.686	2.690	0.500	41
380131A	T	4.500	5.876	5.889	0.984	10	•410139	S	2.187	2.996	3.001	0.500	41
410000 SERIES							•410154N	N	1.687	2.502	2.506	0.500	41
•410005	S	0.500	1.124	1.128	0.375	41	•410160	S	1.125	2.000	2.004	0.437	41
•410007	S	0.562	1.124	1.128	0.375	41	•410163N	N	1.250	2.000	2.004	0.437	41
•410009	S	0.625	1.124	1.128	0.375	41	410163 ³	S	1.250	2.000	2.004	0.437	41
•410009N	N	0.625	1.124	1.128	0.375	41	•410169	S	1.375	2.250	2.254	0.500	41
•410016	S	0.562	1.250	1.254	0.375	41	•410171	S	1.437	2.250	2.254	0.500	41
•410018	S	0.625	1.250	1.254	0.375	41	•410183	S	1.750	2.750	2.754	0.500	41
•410021	S	0.562	1.375	1.379	0.406	41	410183N ³	N	1.750	2.750	2.754	0.500	41
•410023	S	0.625	1.375	1.379	0.406	41	•410187	S	1.000	2.062	2.066	0.437	41
•410027SSR	S	0.750	1.375	1.379	0.406	41	410190³	S	1.500	2.561	2.565	0.500	41
•410045	S	1.125	1.828	1.832	0.437	41	•410194	S	1.625	2.502	2.506	0.500	41
•410055	S	1.375	2.374	2.378	0.500	41	•410202	S	0.562	0.999	1.003	0.375	41
•410059N	N	1.500	2.374	2.378	0.500	41	•410202N	N	0.562	0.999	1.003	0.375	41
410059 ³	S	1.500	2.374	2.378	0.500	41	•410219	S	1.000	1.624	1.628	0.437	41
•410060	S	1.531	2.374	2.378	0.500	41	•410222	S	0.750	1.752	1.756	0.437	41
•410064	S	1.562	2.437	2.441	0.468	41	•410236	S	1.125	1.874	1.878	0.437	41
•410066	S	1.625	2.437	2.441	0.468	41	•410261	S	2.062	2.996	3.001	0.500	41
•410067	S	1.500	2.502	2.506	0.500	41	•410273	S	1.562	2.758	2.762	0.500	41
•410070	S	1.750	2.623	2.627	0.500	41	•410283	S	1.875	2.758	2.762	0.500	41
•410070N	N	1.750	2.623	2.627	0.500	41	•410286	S	1.625	2.750	2.754	0.500	41
•410071N	N	1.875	2.623	2.627	0.500	41	•410286N	N	1.625	2.750	2.754	0.500	41
410071 ³	S	1.875	2.623	2.627	0.500	41	•410291	S	1.750	2.875	2.879	0.468	41
•410074	S	1.687	2.686	2.690	0.500	41	•410295	S	1.937	2.875	2.879	0.468	41
•410082	S	1.875	2.875	2.879	0.468	41	•410295N	N	1.937	2.875	2.879	0.468	41
•410083N	N	2.000	2.875	2.879	0.468	41	•410300	S	1.937	3.000	3.005	0.500	41
•410084	S	1.875	2.996	3.001	0.500	41	•410301V	V	2.000	3.000	3.005	0.500	41
•410085V	V	2.000	2.996	3.001	0.500	41	•410303	S	2.125	3.000	3.005	0.500	41
							•410303N	N	2.125	3.000	3.005	0.500	41
							410308³	S	2.125	3.061	3.066	0.500	41

NUMERIC SECTION

¹Counter-Clockwise-Spiral Lip Design; ³Redicoat®; ⁹External Bore; ¹²Hydrodynamic Lip Design-CCW; ; • Non Stock Item - Special Order

Numerical List Size & Type

RADIAL SHAFT SEALS

Part No.	Lip Mat'l	Shaft Size	Hsg Bore	Seal O.D.	Seal Width	Type/Illus.	Part No.	Lip Mat'l	Shaft Size	Hsg Bore	Seal O.D.	Seal Width	Type/Illus.
410000 SERIES (cont.)							410000 SERIES (cont.)						
• 410309	S	1.937	3.125	3.130	0.500	41	410686N ³	N	2.375	3.483	3.488	0.500	41
• 410310	S	2.000	3.125	3.130	0.500	41	410694 ³	S	2.312	3.350	3.355	0.375	41
410312	S	2.125	3.125	3.130	0.500	41	410708 ³	S	2.625	3.374	3.379	0.468	41
410312N ³	N	2.125	3.125	3.130	0.500	41	410737³	S	2.250	3.189	3.194	0.437	41
• 410314	S	2.125	3.251	3.256	0.500	41	410752 ³	S	2.500	3.247	3.252	0.500	41
• 410315	S	2.187	3.251	3.256	0.500	41	• 410791	S	0.625	1.124	1.128	0.312	41
• 410315N	N	2.187	3.251	3.256	0.500	41	410825³	S	2.375	3.623	3.628	0.375	41
410316	S	2.250	3.251	3.256	0.500	41	410867N ³	N	2.125	2.875	2.879	0.437	41
• 410317	S	2.312	3.251	3.256	0.500	41	410867V ³	V	2.125	2.875	2.879	0.437	41
• 410320	S	2.375	3.189	3.194	0.437	41	• 410867	S	2.125	2.875	2.879	0.437	41
• 410320N	N	2.375	3.189	3.194	0.437	41	• 410867R	S	2.125	2.875	2.879	0.437	41
• 410322	S	2.437	3.251	3.256	0.500	41	• 410895	S	0.750	1.375	1.379	0.312	41
• 410324	S	2.437	3.371	3.376	0.468	41	• 410965	S	1.937	3.350	3.355	0.468	41
• 410330	S	2.500	3.371	3.376	0.468	41	• 410966	S	2.000	2.875	2.879	0.500	41
• 410330N	N	2.500	3.371	3.376	0.468	41	• 410972	S	2.125	3.371	3.376	0.468	41
• 410350	S	2.375	3.371	3.376	0.468	41	410972N ³	N	2.125	3.371	3.376	0.468	41
• 410354	S	2.187	3.189	3.194	0.437	41	• 410975	S	0.625	1.499	1.503	0.390	41
• 410358	S	1.625	2.374	2.378	0.500	41	410987³	S	2.375	3.481	3.486	0.437	41
410358N ³	N	1.625	2.374	2.378	0.500	41	• 410988	S	2.375	3.061	3.066	0.500	41
• 410360	S	2.000	2.686	2.690	0.500	41	• 410988N	N	2.375	3.061	3.066	0.500	41
• 410361	S	1.750	2.561	2.565	0.500	41	• 411000	S	1.375	2.250	2.254	0.375	41
• 410374	S	2.437	3.350	3.355	0.468	41	• 411016	S	1.562	2.125	2.129	0.437	41
• 410375	S	1.763	2.412	2.416	0.468	41	• 411024	S	0.625	1.624	1.628	0.437	41
• 410389	S	2.000	2.750	2.754	0.500	41	• 411091	S	2.000	3.062	3.066	0.500	41
• 410389N	N	2.000	2.750	2.754	0.500	41	• 411100	S	1.125	1.624	1.628	0.312	41
• 410394	S	1.500	2.125	2.129	0.437	41	• 411100N	N	1.125	1.624	1.628	0.312	41
• 410394N	N	1.500	2.125	2.129	0.437	41	• 411138	S	2.250	3.125	3.130	0.375	41
• 410403	S	1.375	2.062	2.066	0.437	41	411143N ³	N	2.625	3.251	3.256	0.437	41
• 410441N	N	2.250	2.996	3.001	0.500	41	411160V ³	V	2.312	3.000	3.005	0.500	41
• 410444	S	1.375	2.502	2.506	0.500	41	• 411160	S	2.312	3.000	3.005	0.500	41
• 410489	S	2.187	2.875	2.879	0.468	41	• 411178	S	2.375	3.112	3.117	0.500	41
410496³	S	2.500	3.350	3.355	0.468	41	• 411234	S	2.250	3.061	3.066	0.500	41
410519 ³	S	2.500	3.251	3.256	0.500	41	• 411234N	N	2.250	3.061	3.066	0.500	41
410520 ³	S	2.250	3.000	3.005	0.500	41	411245³	S	2.437	3.500	3.505	0.375	41
• 410520N	N	2.250	3.000	3.005	0.500	41	411253³	S	2.250	3.350	3.355	0.375	41
410524³	S	1.875	3.371	3.376	0.468	41	• 411271	S	2.500	3.251	3.256	0.375	41
• 410525	S	2.437	3.125	3.130	0.500	41	• 411272	S	2.250	3.000	3.005	0.375	41
• 410530	S	2.000	2.996	3.001	0.375	41	• 411275N	N	3.250	4.249	4.254	0.468	41
• 410530N	N	2.000	2.996	3.001	0.375	41	411275V ³	V	3.250	4.249	4.254	0.468	41
• 410543	S	2.000	2.717	2.720	0.468	41	• 411324	S	0.625	1.375	1.379	0.312	41
• 410551	S	2.312	3.125	3.130	0.500	41	411330 ³	S	2.598	3.481	3.486	0.500	41
• 410552	S	2.375	3.125	3.130	0.500	41	411330N ³	N	2.598	3.481	3.486	0.500	41
• 410552N	N	2.375	3.125	3.130	0.500	41	• 411338	S	2.187	3.000	3.005	0.500	41
• 410565	S	2.375	3.125	3.130	0.375	41	• 411341	S	2.250	2.996	3.001	0.437	41
• 410565N	N	2.375	3.125	3.130	0.375	41	• 411341N	N	2.250	2.996	3.001	0.437	41
• 410571	S	2.000	3.251	3.256	0.500	41	411348 ³	S	2.812	4.249	4.254	0.468	41
• 410574	S	2.375	3.251	3.256	0.500	41	411376³	S	2.250	3.500	3.505	0.375	41
• 410574N	N	2.375	3.251	3.256	0.500	41	411394³	S	2.312	3.251	3.256	0.375	41
• 410605	S	2.500	3.371	3.376	0.375	41	• 411414	S	3.375	4.376	4.381	0.562	41
• 410614	S	2.250	3.251	3.256	0.437	41	• 411414N	N	3.375	4.376	4.381	0.562	41
• 410614N	N	2.250	3.251	3.256	0.437	41	• 411452	S	2.250	2.987	2.991	0.500	41
• 410626	S	2.625	3.371	3.376	0.468	41	• 411475	S	2.625	3.543	3.548	0.500	41
• 410626N	N	2.625	3.371	3.376	0.468	41	• 411475N	N	2.625	3.543	3.548	0.500	41
• 410680	S	0.875	1.499	1.503	0.312	41	411500³	S	2.437	3.350	3.355	0.375	41
• 410680N	N	0.875	1.499	1.503	0.312	41	• 411509N	N	2.500	3.250	3.256	0.437	41
• 410681	S	2.187	3.125	3.130	0.500	41	• 411531	S	0.562	1.124	1.128	0.312	41

NUMERIC SECTION

Numerical List Size & Type

RADIAL SHAFT SEALS



Part No.	Lip Mat'l	Shaft Size	Hsg Bore	Seal O.D.	Seal Width	Type/ Illus.	Part No.	Lip Mat'l	Shaft Size	Hsg Bore	Seal O.D.	Seal Width	Type/ Illus.
410000 SERIES (cont.)							410000 SERIES (cont.)						
• 411557	S	0.562	1.375	1.379	0.312	41	• 414072	S	2.441	3.346	3.352	0.315	41
• 411577	S	0.625	1.499	1.503	0.312	41	414268³	S	1.625	3.000	3.004	0.312	41
• 411580	S	0.750	1.499	1.503	0.312	41	415001³	S	2.500	3.543	3.548	0.500	41
• 411706	S	1.125	1.752	1.756	0.312	41	415001N ³	N	2.500	3.543	3.548	0.500	41
• 411854	S	1.937	2.561	2.565	0.500	41	• 415002	S	2.562	3.623	3.628	0.468	41
• 411949	S	2.125	2.750	2.754	0.500	41	• 415003N	N	2.625	3.623	3.628	0.468	41
• 411949N	N	2.125	2.750	2.754	0.500	41	• 415003V	V	2.625	3.623	3.628	0.468	41
• 411953	S	2.187	2.875	2.879	0.437	41	415003 ³	S	2.625	3.623	3.628	0.468	41
• 411953N	N	2.187	2.875	2.879	0.437	41	415004 ³	S	2.750	3.751	3.756	0.500	41
• 412008	S	2.000	2.996	3.001	0.437	41	415004V ³	V	2.750	3.751	3.756	0.500	41
• 412012	S	2.062	3.000	3.005	0.375	41	• 415004N	N	2.750	3.751	3.756	0.500	41
412015V ³	V	2.125	3.000	3.005	0.375	41	415007³	S	2.625	3.876	3.881	0.468	41
• 412016	S	2.125	3.125	3.130	0.375	41	415009 ³	S	2.750	3.876	3.881	0.468	41
• 412016N	N	2.125	3.125	3.130	0.375	41	415009N³	N	2.750	3.876	3.881	0.468	41
• 412017	S	2.187	2.996	3.001	0.437	41	• 415011	S	2.875	4.003	4.008	0.468	41
• 412018	S	2.187	3.000	3.005	0.375	41	• 415011N	N	2.875	4.003	4.008	0.468	41
• 412019	S	2.187	3.062	3.066	0.500	41	• 415012	S	2.937	4.003	4.008	0.468	41
• 412020	S	2.187	3.125	3.130	0.375	41	415012N ³	N	2.937	4.003	4.008	0.468	41
412027³	S	2.000	3.251	3.256	0.437	41	415012V ³	V	2.937	4.003	4.008	0.468	41
412028 ³	S	2.000	3.350	3.355	0.468	41	415013 ³	S	3.000	4.003	4.008	0.468	41
• 412032	S	2.125	3.251	3.256	0.437	41	415013N³	N	3.000	4.003	4.008	0.468	41
• 412035	S	2.187	3.371	3.376	0.468	41	• 415013V	V	3.000	4.003	4.008	0.468	41
• 412038	S	2.375	3.251	3.256	0.437	41	• 415014	S	3.000	4.249	4.254	0.625	41
412038N ³	N	2.375	3.251	3.256	0.437	41	• 415014N	N	3.000	4.249	4.254	0.625	41
412040³	S	2.437	3.251	3.256	0.437	41	• 415016	S	3.125	4.249	4.254	0.625	41
412119³	S	2.375	3.350	3.355	0.375	41	415016N ³	N	3.125	4.249	4.254	0.625	41
412473³	S	3.375	4.376	4.381	0.375	41	• 415018	S	3.250	4.249	4.254	0.625	41
• 412572	S	1.875	2.750	2.754	0.312	41	• 415018N	N	3.250	4.249	4.254	0.625	41
• 412691	S	1.375	2.374	2.378	0.750	41	• 415019	S	3.000	4.999	5.004	0.468	41
412725 ³	S	2.000	3.150	3.155	0.375	41	415021³	S	3.125	4.999	5.004	0.468	41
412798N ³	N	2.062	3.000	3.005	0.437	41	415023³	S	3.250	4.999	5.004	0.468	41
412861³	S	2.375	3.543	3.548	0.375	41	415025³	S	3.375	4.999	5.004	0.468	41
412871³	S	2.625	3.350	3.355	0.375	41	415027³	S	3.500	4.999	5.004	0.468	41
412920³	S	2.250	3.371	3.376	0.375	41	415027H	H	3.500	4.999	5.004	0.468	41
412920V ³	V	2.250	3.371	3.376	0.375	41	415027N ³	N	3.500	4.999	5.004	0.468	41
412943³	S	2.187	3.350	3.355	0.375	41	• 415029	S	3.625	4.999	5.004	0.468	41
• 413244	S	2.187	2.875	2.879	0.375	41	• 415031	S	3.750	4.999	5.004	0.468	41
• 413244N	N	2.187	2.875	2.879	0.375	41	• 415031N	N	3.750	4.999	5.004	0.468	41
• 413245	S	2.187	3.251	3.256	0.375	41	• 415033	S	3.875	4.999	5.004	0.468	41
413246³	S	2.375	3.251	3.256	0.375	41	• 415033N	N	3.875	4.999	5.004	0.468	41
413246N³	N	2.375	3.251	3.255	0.375	41	• 415034V	V	3.937	4.990	5.004	0.468	41
413247³	S	2.375	3.371	3.376	0.375	41	• 415034VAR	V	3.937	4.999	5.004	0.468	41
413248³	S	2.625	3.371	3.376	0.375	41	415034³	S	3.937	4.999	5.004	0.468	41
• 413248N	N	2.625	3.371	3.376	0.375	41	415035³	S	4.000	4.999	5.004	0.468	41
• 413248V	V	2.625	3.371	3.376	0.375	41	415035V ³	V	4.000	4.999	5.004	0.468	41
• 413293	S	1.187	2.125	2.129	0.375	41	• 415035N	N	4.000	4.999	5.004	0.468	41
• 413293N	N	1.187	2.125	2.129	0.375	41	• 415036N	N	4.000	5.500	5.506	0.562	41
413469³	S	2.125	3.350	3.355	0.375	41	415036³	S	4.000	5.501	5.506	0.562	41
413470³	S	2.125	3.371	3.376	0.375	41	• 415039	S	4.187	5.501	5.506	0.562	41
413470V ³	V	2.125	3.371	3.376	0.375	41	• 415039N	N	4.187	5.501	5.506	0.562	41
413472³	S	2.187	3.371	3.376	0.375	41	• 415040	S	4.250	5.501	5.506	0.562	41
• 413477	S	2.437	3.251	3.256	0.375	41	• 415040N	N	4.250	5.501	5.506	0.562	41
413478³	S	2.437	3.371	3.376	0.375	41	• 415041N	N	4.000	5.751	5.756	0.562	41
413479³	S	2.562	3.481	3.486	0.375	41	415041³	S	4.000	5.751	5.756	0.562	41
• 413799	S	1.625	2.087	2.091	0.275	41	415043³	S	4.125	5.751	5.756	0.562	41
414045 ³	S	1.875	2.782	2.786	0.500	41	• 415044	S	4.187	5.751	5.756	0.562	41

NUMERIC SECTION

³Redicoat® ; • Non Stock Item - Special Order

Numerical List Size & Type

RADIAL SHAFT SEALS

Part No.	Lip Mat'l	Shaft Size	Hsg Bore	Seal O.D.	Seal Width	Type/ Illus.	Part No.	Lip Mat'l	Shaft Size	Hsg Bore	Seal O.D.	Seal Width	Type/ Illus.
410000 SERIES (cont.)							410000 SERIES (cont.)						
415045³	S	4.250	5.751	5.756	0.562	41	• 415134N	N	4.125	4.999	5.004	0.468	41
415047³	S	4.375	5.751	5.756	0.562	41	415137 ³	S	3.250	4.499	4.504	0.468	41
• 415049	S	4.500	5.751	5.756	0.562	41	415138³	S	4.750	5.750	5.756	0.500	41
415052 ³	S	8.000	10.125	10.133	0.750	41	• 415138N	N	4.750	5.750	5.756	0.500	41
• 415053N	N	4.750	5.751	5.756	0.562	41	• 415140	S	5.375	6.749	6.757	0.625	41
• 415053V	V	4.750	5.751	5.756	0.562	41	415142³	S	4.125	5.251	5.256	0.468	41
• 415054	S	4.000	6.250	6.256	0.562	41	• 415144	S	2.875	4.499	4.504	0.468	41
415058³	S	4.250	6.250	6.256	0.562	41	• 415145	S	3.125	4.499	4.504	0.468	41
415060 ³	S	4.375	6.250	6.256	0.562	41	• 415145N	N	3.125	4.499	4.504	0.468	41
• 415062	S	4.500	6.250	6.256	0.562	41	• 415145V	V	3.125	4.499	4.504	0.468	41
415064³	S	4.625	6.250	6.256	0.562	41	• 415146N	N	3.500	4.499	4.504	0.468	41
415066³	S	4.750	6.250	6.256	0.562	41	415146 ³	S	3.500	4.499	4.504	0.468	41
• 415068N	N	4.875	6.250	6.256	0.562	41	415147 ³	S	2.500	3.500	3.505	0.500	41
• 415070	S	5.000	6.250	6.256	0.562	41	415147N ³	N	2.500	3.500	3.505	0.500	41
• 415070N	N	5.000	6.250	6.256	0.562	41	• 415148	S	3.875	5.251	5.256	0.468	41
• 415070V	V	5.000	6.250	6.256	0.562	41	• 415149	S	2.625	3.751	3.756	0.500	41
• 415071	S	5.125	6.374	6.382	0.625	41	• 415149V	V	2.625	3.751	3.756	0.500	41
• 415072V	V	6.000	7.500	7.508	0.562	41	415150³	S	3.750	5.251	5.256	0.468	41
415072³	S	6.000	7.500	7.508	0.562	41	• 415152	S	2.875	4.125	4.130	0.562	41
415073V ³	V	5.500	6.749	6.756	0.625	41	• 415154	S	3.000	4.125	4.130	0.562	41
• 415073	S	5.500	6.749	6.756	0.625	41	• 415156	S	3.125	4.125	4.130	0.562	41
• 415073N	N	5.500	6.749	6.756	0.625	41	415156N ³	N	3.125	4.125	4.130	0.562	41
415074 ³	S	6.125	7.500	7.508	0.562	41	• 415158	S	3.000	4.376	4.381	0.625	41
• 415075	S	5.875	7.125	7.133	0.625	41	• 415158N	N	3.000	4.376	4.381	0.625	41
• 415075N	N	5.875	7.125	7.133	0.625	41	• 415160	S	3.125	4.376	4.381	0.625	41
415076 ³	S	11.500	13.500	13.508	0.750	41	• 415162	S	3.250	4.376	4.381	0.625	41
415077 ³	S	11.500	13.000	13.010	0.750	41	• 415164	S	3.375	4.376	4.381	0.625	41
• 415079	S	2.500	3.751	3.756	0.500	41	415164N ³	N	3.375	4.376	4.381	0.625	41
• 415080	S	2.125	3.623	3.628	0.468	41	• 415165	S	3.375	4.499	4.504	0.468	41
415082³	S	2.500	3.876	3.881	0.468	41	415170 ³	S	3.500	4.626	4.631	0.625	41
415082N ³	N	2.500	3.876	3.881	0.468	41	• 415172	S	3.625	4.626	4.631	0.625	41
415085³	S	3.312	4.499	4.504	0.468	41	• 415172N	N	3.625	4.625	4.631	0.625	41
415086N³	N	3.000	4.249	4.254	0.468	41	• 415172V	V	3.625	4.626	4.631	0.625	41
• 415086	S	3.000	4.249	4.254	0.468	41	• 415173	S	3.500	4.751	4.756	0.625	41
• 415086V	V	3.000	4.249	4.254	0.468	41	• 415173N	N	3.500	4.751	4.756	0.625	41
• 415088N	N	3.000	4.499	4.504	0.468	41	• 415175	S	3.625	4.751	4.756	0.625	41
415088³	S	3.000	4.499	4.504	0.468	41	• 415177	S	3.750	4.751	4.756	0.625	41
415090 ³	S	9.000	11.000	11.008	0.750	41	• 415179	S	3.875	4.751	4.756	0.625	41
• 415091	S	4.875	5.999	6.007	0.625	41	• 415181	S	3.625	4.876	4.881	0.625	41
• 415093	S	2.250	3.500	3.505	0.500	41	• 415183	S	3.750	4.876	4.881	0.625	41
• 415093N	N	2.250	3.500	3.505	0.500	41	• 415185	S	3.875	4.876	4.881	0.625	41
• 415094	S	2.312	3.500	3.505	0.500	41	• 415185N	N	3.875	4.876	4.881	0.625	41
• 415095N	N	2.375	3.500	3.505	0.500	41	• 415186	S	3.937	4.876	4.882	0.625	41
• 415096	S	2.437	3.500	3.505	0.500	41	415187 ³	S	4.000	4.876	4.881	0.625	41
• 415096N	N	2.437	3.500	3.505	0.500	41	• 415188	S	4.000	5.126	5.131	0.625	41
• 415098	S	2.562	3.500	3.505	0.500	41	• 415192	S	4.000	5.251	5.256	0.468	41
415098N	N	2.562	3.500	3.505	0.500	41	415192N ³	N	4.000	5.251	5.256	0.468	41
• 415101	S	2.750	4.249	4.254	0.625	41	• 415195	S	4.250	5.251	5.256	0.468	41
• 415104	S	5.250	6.499	6.507	0.625	41	• 415195N	N	4.250	5.251	5.256	0.468	41
• 415104N	N	5.250	6.499	6.507	0.625	41	• 415196N	N	4.250	5.376	5.381	0.500	41
• 415105V	V	5.375	6.624	6.632	0.625	41	415196³	S	4.250	5.376	5.381	0.500	41
415116 ³	S	7.250	8.750	8.759	0.750	41	• 415198	S	4.375	5.501	5.506	0.562	41
415124 ³	S	8.250	10.250	10.260	0.750	41	• 415198A	S	4.375	5.501	5.506	0.562	41
415128 ³	S	8.750	10.750	10.758	0.750	41	• 415200N	N	4.500	5.501	5.506	0.562	41
• 415130	S	1.937	3.543	3.548	0.500	41	• 415200V	V	4.500	5.501	5.506	0.562	41
• 415134	S	4.125	4.999	5.004	0.468	41	• 415201	S	4.000	5.999	6.007	0.625	41

NUMERIC SECTION

Numerical List Size & Type

RADIAL SHAFT SEALS



Part No.	Lip Mat'l	Shaft Size	Hsg Bore	Seal O.D.	Seal Width	Type/ Illus.	Part No.	Lip Mat'l	Shaft Size	Hsg Bore	Seal O.D.	Seal Width	Type/ Illus.
410000 SERIES (cont.)							410000 SERIES (cont.)						
• 415205	S	4.250	5.999	6.007	0.625	41	415349 ³	S	2.125	3.543	3.548	0.500	41
• 415207	S	4.375	5.999	6.007	0.625	41	415350³	S	2.187	3.623	3.628	0.468	41
• 415209	S	4.500	5.999	6.007	0.625	41	415351³	S	4.500	6.250	6.256	0.500	41
• 415209N	N	4.500	5.999	6.007	0.625	41	• 415355	S	2.875	3.876	3.881	0.468	41
• 415211	S	4.625	6.001	6.007	0.625	41	• 415355N	N	2.875	3.876	3.881	0.468	41
• 415213	S	4.750	5.999	6.007	0.625	41	• 415356	S	2.937	4.499	4.504	0.468	41
415213N ³	N	4.750	5.999	6.007	0.625	41	• 415356N	N	2.937	4.499	4.504	0.468	41
415219 ³	S	9.250	11.250	11.260	0.750	41	• 415356V	V	2.937	4.499	4.504	0.468	41
415227 ³	S	10.500	12.500	12.508	1.000	41	• 415363	S	5.750	6.749	6.756	0.625	41
415234³	S	2.250	3.623	3.628	0.468	41	• 415364	S	2.750	3.500	3.505	0.500	41
• 415244	S	2.562	3.751	3.756	0.500	41	• 415368	S	2.625	3.500	3.505	0.500	41
• 415244N	N	2.562	3.751	3.756	0.500	41	• 415368N	N	2.625	3.500	3.505	0.500	41
• 415245	S	3.125	4.751	4.756	0.625	41	• 415369	S	2.500	3.623	3.628	0.468	41
• 415245N	N	3.125	4.751	4.756	0.625	41	• 415369N	N	2.500	3.623	3.628	0.468	41
• 415248	S	2.375	3.543	3.548	0.500	41	• 415371N	N	4.625	5.751	5.756	0.562	41
415248N ³	N	2.375	3.543	3.548	0.500	41	415371³	S	4.625	5.751	5.756	0.562	41
415254 ³	S	2.250	4.003	4.008	0.468	41	• 415377	S	5.000	6.499	6.507	0.625	41
415259³	S	2.250	3.751	3.756	0.500	41	• 415379N	N	3.750	4.751	4.756	0.500	41
• 415262	S	3.500	5.501	5.506	0.562	41	415379³	S	3.750	4.751	4.756	0.500	41
415263 ³	S	3.937	5.376	5.381	0.500	41	415379V ³	V	3.750	4.751	4.756	0.500	41
• 415265	S	3.250	4.751	4.756	0.625	41	• 415380N	N	2.375	3.623	3.628	0.468	41
• 415265N	N	3.250	4.751	4.756	0.625	41	415389³	S	3.625	4.499	4.504	0.468	41
• 415269	S	3.687	5.501	5.506	0.562	41	415389N	N	3.625	4.499	4.504	0.468	41
• 415271	S	5.000	5.999	6.007	0.625	41	415394³	S	3.125	5.251	5.256	0.468	41
• 415271N	N	5.000	5.999	6.007	0.625	41	• 415396	S	3.500	5.751	5.756	0.562	41
415272	S	2.750	4.003	4.008	0.468	41	• 415423	S	3.750	5.501	5.506	0.562	41
415272N ³	N	2.750	4.003	4.008	0.468	41	• 415425V	V	4.375	5.376	5.381	0.500	41
• 415273	S	5.500	6.499	6.507	0.625	41	415425 ³	S	4.375	5.376	5.381	0.500	41
• 415273N	N	5.500	6.499	6.507	0.625	41	415436 ³	S	3.625	5.751	5.756	0.562	41
• 415281V	V	3.000	3.751	3.756	0.500	41	415437³	S	3.500	4.751	4.756	0.500	41
415281N ³	N	3.000	3.751	3.756	0.500	41	415442 ³	S	3.375	4.125	4.130	0.375	41
415284 ³	S	4.687	5.751	5.756	0.500	41	415447 ³	S	5.750	6.624	6.632	0.625	41
415294 ³	S	6.500	7.500	7.508	0.562	41	415449³	S	2.500	3.500	3.505	0.375	41
415295³	S	4.187	4.999	5.004	0.468	41	415449V ³	V	2.500	3.500	3.505	0.375	41
• 415296	S	2.625	4.003	4.008	0.468	41	• 415449N	N	2.500	3.500	3.505	0.375	41
• 415296N	N	2.625	4.003	4.008	0.468	41	415458³	S	2.625	3.623	3.628	0.375	41
415302³	S	2.562	3.500	3.505	0.375	41	415458V ³	V	2.625	3.623	3.628	0.375	41
415303³	S	2.875	3.623	3.628	0.375	41	• 415460	S	5.000	7.500	7.507	0.562	41
415304 ³	S	3.250	4.249	4.254	0.500	41	• 415460N	N	5.000	7.500	7.507	0.562	41
• 415304N	N	3.250	4.249	4.254	0.500	41	• 415461	S	5.375	6.499	6.507	0.625	41
• 415304V	V	3.250	4.249	4.254	0.500	41	• 415461N	N	5.375	6.499	6.507	0.625	41
• 415312	S	5.000	6.374	6.382	0.625	41	• 415479N	N	3.000	3.876	3.881	0.468	41
• 415315	S	2.750	3.623	3.628	0.468	41	• 415479	S	3.000	3.876	3.881	0.468	41
• 415315N	N	2.750	3.623	3.628	0.468	41	415482 ³	S	11.000	13.000	13.010	0.750	41
415317	S	7.375	9.000	9.010	0.750	41	415483³	S	2.625	3.500	3.505	0.375	41
• 415319	S	3.500	5.126	5.131	0.625	41	• 415487	S	5.625	6.625	6.631	0.625	41
• 415319N	N	3.500	5.126	5.131	0.625	41	• 415487N	N	5.625	6.625	6.631	0.625	41
415327 ³	S	6.750	8.000	8.009	0.625	41	• 415495	S	5.125	6.499	6.507	0.625	41
• 415328	S	3.250	5.251	5.256	0.468	41	415498	S	3.562	4.499	4.504	0.468	41
• 415342	S	4.500	5.876	5.881	0.625	41	• 415513	S	4.000	5.626	5.631	0.500	41
• 415345N	N	2.500	3.500	3.505	0.375	41	• 415526N	N	3.000	3.876	3.881	0.500	41
• 415345V	V	2.500	3.500	3.505	0.375	41	• 415547	S	3.875	5.126	5.131	0.625	41
• 415347	S	2.937	3.876	3.881	0.468	41	415551 ³	S	7.500	9.000	9.010	0.750	41
• 415347N	N	2.937	3.876	3.881	0.468	41	415551V ³	V	7.500	9.000	9.010	0.750	41
• 415349N	N	2.125	3.543	3.548	0.500	41	415559³	S	3.500	5.251	5.256	0.468	41
• 415349V	V	2.125	3.543	3.548	0.500	41	415563 ³	S	3.250	4.003	4.008	0.468	41

NUMERIC SECTION

³Redicoat® ; • Non Stock Item - Special Order

Numerical List Size & Type

RADIAL SHAFT SEALS

Part No.	Lip Mat'l	Shaft Size	Hsg Bore	Seal O.D.	Seal Width	Type/ Illus.	Part No.	Lip Mat'l	Shaft Size	Hsg Bore	Seal O.D.	Seal Width	Type/ Illus.
410000 SERIES (cont.)							410000 SERIES (cont.)						
• 415563N	N	3.250	4.003	4.008	0.468	41	415984³	S	2.750	3.623	3.628	0.375	41
• 415566	S	3.250	4.125	4.130	0.562	41	415988³	S	2.562	3.623	3.628	0.375	41
• 415566N	N	3.250	4.125	4.130	0.562	41	415991³	S	3.500	4.501	4.506	0.468	41
• 415566V	V	3.250	4.125	4.130	0.562	41	415991N³	N	3.500	4.501	4.506	0.468	41
• 415573	S	4.375	6.127	6.132	0.625	41	415991V ³	V	3.500	4.501	4.506	0.468	41
• 415577N	N	3.250	4.723	4.729	0.468	41	415995³	S	3.000	4.003	4.008	0.375	41
415577³	S	3.250	4.723	4.729	0.468	41	415995V ³	V	3.000	4.003	4.008	0.375	41
415610 ³	S	5.500	7.000	7.007	0.625	41	• 415995N	N	3.000	4.003	4.008	0.375	41
• 415613	S	3.375	4.249	4.254	0.625	41	416008 ³	S	6.750	8.500	8.509	0.625	41
415627 ³	S	2.000	3.500	3.505	0.500	41	416011³	S	3.125	4.125	4.130	0.500	41
• 415634	S	4.625	5.751	5.756	0.500	41	• 416011V	V	3.125	4.125	4.130	0.500	41
• 415636	S	2.187	3.500	3.505	0.500	41	416024³	S	3.125	4.751	4.756	0.500	41
415645³	S	5.250	6.500	6.507	0.562	41	• 416026	S	3.000	4.249	4.254	0.500	41
• 415655	S	2.500	4.003	4.008	0.468	41	416029 ³	S	5.750	7.874	7.881	0.750	41
415656 ³	S	8.000	9.000	9.010	0.750	41	416029N³	N	5.750	7.874	7.881	0.750	41
• 415659	S	2.125	3.500	3.505	0.500	41	• 416037	S	3.908	4.875	4.881	0.500	41
415683³	S	6.000	7.000	7.007	0.500	41	416039³	S	5.750	7.500	7.508	0.562	41
415697³	S	3.875	5.125	5.131	0.500	41	416041³	S	3.750	4.626	4.632	0.500	41
415711 ³	S	3.562	4.625	4.631	0.500	41	416043 ³	S	3.875	5.751	5.756	0.562	41
• 415712	S	4.250	5.251	5.256	0.625	41	416044 ³	S	7.250	8.250	8.257	0.625	41
• 415725N	N	5.000	6.001	6.007	0.500	41	416047³	S	3.625	4.625	4.631	0.500	41
415725³	S	5.000	6.001	6.007	0.500	41	• 416049N	N	5.125	6.874	6.882	0.625	41
• 415733	S	2.750	3.751	3.756	0.437	41	• 416055	S	6.000	7.000	7.008	0.625	41
415832³	S	3.625	5.375	5.381	0.500	41	• 416055N	N	6.000	7.000	7.008	0.625	41
415836 ³	S	3.000	4.003	4.008	0.437	41	416070³	S	4.500	6.125	6.131	0.562	41
415836N ³	N	3.000	4.003	4.008	0.437	41	416071³	S	2.375	3.751	3.756	0.500	41
415836V ³	V	3.000	4.003	4.008	0.437	41	416077 ³	S	7.125	8.625	8.632	0.562	41
• 415852	S	3.750	5.751	5.756	0.562	41	416102 ³	S	7.625	8.625	8.632	0.562	41
415854 ³	S	6.250	7.875	7.881	0.750	41	416107³	S	5.500	6.750	6.758	0.575	41
415857 ³	S	2.375	3.601	3.606	0.437	41	• 416107V	V	5.500	6.750	6.758	0.575	41
415867 ³	S	7.500	8.500	8.509	0.625	41	• 416112N	N	5.375	7.874	7.881	0.750	41
415871 ³	S	9.375	11.375	11.385	0.750	41	416112 ³	S	5.375	7.874	7.881	0.750	41
415876 ³	S	7.000	9.313	9.321	0.625	41	• 416113V	V	3.562	4.500	4.506	0.500	41
415876V ³	V	7.000	9.313	9.321	0.625	41	416125³	S	3.625	4.999	5.004	0.500	41
415894³	S	3.375	4.376	4.381	0.500	41	416127³	S	3.750	5.376	5.381	0.500	41
415897 ³	S	5.000	6.877	6.884	0.625	41	• 416128	S	3.875	5.501	5.506	0.562	41
• 415897N	N	5.000	6.877	6.884	0.625	41	416130³	S	4.000	5.376	5.381	0.500	41
• 415899	S	3.500	4.375	4.381	0.562	41	416135³	S	4.250	5.626	5.631	0.500	41
415899N ³	N	3.500	4.375	4.381	0.562	41	• 416136	S	4.250	5.876	5.881	0.625	41
• 415920	S	5.625	6.625	6.631	0.500	41	• 416136N	N	4.250	5.876	5.881	0.625	41
415937³	S	3.625	4.751	4.756	0.500	41	416137³	S	4.250	5.999	6.005	0.500	41
415938³	S	5.375	6.624	6.632	0.562	41	416144³	S	4.312	5.999	6.005	0.500	41
415953 ³	S	4.000	4.999	5.004	0.500	41	416147 ³	S	4.375	5.626	5.631	0.500	41
415953V ³	V	4.000	4.999	5.004	0.500	41	416149³	S	4.375	5.999	6.005	0.500	41
• 415953N	N	4.000	4.999	5.004	0.500	41	416153³	S	4.500	5.625	5.631	0.500	41
415958 ³	S	3.875	5.376	5.381	0.500	41	• 416153V	V	4.500	5.625	5.631	0.500	41
415960³	S	2.750	3.876	3.881	0.375	41	416154³	S	4.500	5.999	6.007	0.500	41
415962 ³	S	3.000	4.331	4.336	0.500	41	416156 ³	S	4.625	5.625	5.631	0.500	41
415963N	N	3.750	4.751	4.756	0.484	41	416158³	S	4.625	5.999	6.007	0.500	41
• 415963V	V	3.750	4.751	4.756	0.484	41	416163³	S	4.812	5.999	6.007	0.500	41
• 415970	S	4.625	6.125	6.131	0.562	41	416167³	S	4.875	5.999	6.007	0.500	41
• 415971	S	2.375	3.500	3.505	0.703	41	• 416167N	N	4.875	5.999	6.007	0.500	41
• 415972	S	2.562	3.624	3.629	0.703	41	• 416172	S	5.125	6.125	6.131	0.562	41
415983 ³	S	3.750	4.499	4.506	0.468	41	• 416173	S	5.125	6.250	6.256	0.562	41
415983N ³	N	3.750	4.499	4.506	0.468	41	• 416173N	N	5.125	6.250	6.256	0.562	41
415983V	V	3.750	4.499	4.506	0.468	41	• 416176	S	5.000	7.000	7.008	0.625	41

NUMERIC SECTION

Numerical List Size & Type

RADIAL SHAFT SEALS



Part No.	Lip Mat'l	Shaft Size	Hsg Bore	Seal O.D.	Seal Width	Type/ Illus.	Part No.	Lip Mat'l	Shaft Size	Hsg Bore	Seal O.D.	Seal Width	Type/ Illus.
410000 SERIES (cont.)							410000 SERIES (cont.)						
• 416189	S	5.500	6.624	6.631	0.625	41	416364 ³	S	7.000	8.000	8.009	0.625	41
• 416190	S	5.500	6.874	6.882	0.625	41	• 416365	S	3.437	4.501	4.506	0.468	41
416191 ³	S	5.500	7.125	7.133	0.625	41	416370³	S	3.000	4.751	4.756	0.625	41
• 416196	S	5.500	8.000	8.009	0.750	41	416380³	S	4.375	5.500	5.506	0.500	41
• 416214	S	5.750	6.874	6.882	0.625	41	416381 ³	S	9.625	12.750	12.758	1.250	41
• 416215	S	5.750	7.125	7.133	0.625	41	416383 ³	S	10.750	13.374	13.381	1.250	41
• 416219	S	6.000	7.125	7.133	0.625	41	• 416389	S	3.625	5.501	5.506	0.562	41
• 416219N	N	6.000	7.125	7.133	0.625	41	416394 ³	S	8.500	10.625	10.633	0.750	41
416229 ³	S	6.500	8.000	8.009	0.625	41	416404³	S	3.125	4.003	4.008	0.375	41
416239 ³	S	7.000	8.500	8.509	0.625	41	• 416404V	V	3.125	4.003	4.008	0.375	41
• 416239V	V	7.000	8.500	8.509	0.625	41	• 416414	S	3.500	4.500	4.506	0.500	41
416257 ³	S	9.250	11.000	11.008	0.750	41	416422 ³	S	8.250	11.500	11.507	0.750	41
416267³	S	2.125	3.500	3.505	0.375	41	• 416426N	N	2.875	4.331	4.336	0.500	41
416268³	S	2.187	3.500	3.505	0.375	41	416444³	S	2.312	3.500	3.505	0.375	41
• 416269	S	2.187	3.543	3.548	0.500	41	416470N ³	N	3.250	4.249	4.254	0.375	41
416270 ³	S	2.250	3.543	3.548	0.500	41	416476³	S	5.875	7.125	7.133	0.500	41
416271³	S	2.375	3.500	3.505	0.375	41	416500³	S	2.937	3.937	3.942	0.500	41
• 416271N	N	2.375	3.500	3.505	0.375	41	• 416500N	N	2.937	3.937	3.942	0.500	41
416273³	S	2.500	3.623	3.628	0.375	41	416556³	S	4.250	5.250	5.256	0.500	41
• 416275	S	2.875	3.623	3.628	0.468	41	416557³	S	5.125	6.125	6.131	0.500	41
• 416275N	N	2.875	3.623	3.628	0.468	41	• 416621	S	4.875	6.000	6.006	0.562	41
416278 ³	S	2.625	4.249	4.254	0.468	41	• 416621N	N	4.875	6.000	6.006	0.562	41
416282³	S	2.750	4.249	4.254	0.468	41	• 416624V	V	3.500	4.376	4.381	0.500	41
• 416283	S	2.750	4.249	4.254	0.500	41	416624³	S	3.500	4.376	4.381	0.500	41
416285³	S	2.875	4.249	4.254	0.500	41	416624N ³	N	3.500	4.376	4.381	0.500	41
• 416286	S	2.875	4.249	4.254	0.625	41	416654³	S	2.937	4.003	4.008	0.375	41
• 416287	S	3.125	4.249	4.254	0.468	41	416657 ³	S	8.875	10.122	10.130	0.750	41
• 416287N	N	3.125	4.249	4.254	0.468	41	416664³	S	2.750	3.500	3.505	0.375	41
• 416287V	V	3.125	4.249	4.254	0.468	41	416664V ³	V	2.750	3.500	3.505	0.375	41
416288³	S	3.125	4.249	4.254	0.500	41	416666³	S	5.750	7.001	7.008	0.562	41
• 416289	S	3.125	4.376	4.381	0.562	41	• 416666V	V	5.750	7.001	7.008	0.562	41
• 416290	S	3.250	4.376	4.381	0.562	41	• 416670N	N	3.687	5.250	5.256	0.468	41
416292 ³	S	3.312	4.249	4.254	0.500	41	416670 ³	S	3.687	5.250	5.256	0.468	41
416294³	S	3.375	4.249	4.254	0.500	41	• 416673	S	4.187	6.000	6.007	0.625	41
416294V ³	V	3.375	4.249	4.254	0.500	41	• 416673N	N	4.187	6.000	6.007	0.625	41
• 416294N	N	3.375	4.249	4.254	0.500	41	416674V ³	V	7.000	8.375	8.382	0.750	41
416297³	S	3.125	4.626	4.631	0.437	41	416706³	S	2.750	4.003	4.008	0.375	41
• 416304	S	3.250	4.626	4.631	0.625	41	• 416706N	N	2.750	4.003	4.008	0.375	41
• 416309	S	3.250	4.999	5.004	0.500	41	416738³	S	2.062	3.190	3.194	0.437	41
416313 ³	S	3.312	4.751	4.756	0.500	41	416775 ³	S	2.937	4.250	4.254	0.468	41
416321 ³	S	3.375	4.751	4.756	0.500	41	• 416795N	N	2.375	4.330	4.335	0.500	41
• 416323	S	3.375	4.751	4.756	0.625	41	• 416865N	N	5.000	6.251	6.256	0.500	41
416327 ³	S	3.375	5.251	5.256	0.468	41	416865³	S	5.000	6.250	6.256	0.500	41
• 416331N	N	3.500	4.999	5.004	0.500	41	416865V ³	V	5.000	6.250	6.256	0.500	41
416332³	S	3.625	4.625	4.631	0.437	41	• 416866	S	4.750	6.250	6.256	0.500	41
• 416333	S	3.625	4.751	4.756	0.484	41	416888³	S	4.500	5.500	5.506	0.500	41
• 416335	S	3.625	5.251	5.256	0.468	41	416888V ³	V	4.500	5.500	5.507	0.500	41
• 416335N	N	3.625	5.251	5.256	0.468	41	416891³	S	4.250	5.500	5.506	0.500	41
• 416335V	V	3.625	5.251	5.256	0.468	41	416892³	S	4.500	5.750	5.756	0.500	41
• 416339N	N	3.750	4.999	5.004	0.500	41	416919 ³	S	3.687	4.501	4.506	0.500	41
416339³	S	3.750	4.999	5.004	0.500	41	416919N ³	N	3.687	4.501	4.506	0.500	41
• 416342	S	3.875	4.626	4.631	0.625	41	416921³	S	2.875	4.003	4.008	0.375	41
• 416342N	N	3.875	4.626	4.631	0.625	41	416951 ³	S	8.250	10.625	10.633	0.750	41
416345³	S	3.875	4.999	5.004	0.500	41	416956 ³	S	2.937	3.751	3.756	0.375	41
• 416350	S	3.937	4.999	5.004	0.500	41	• 416961	S	2.750	4.331	4.336	0.500	41
416362	S	6.750	8.007	8.017	0.625	41	• 416961N	N	2.750	4.331	4.336	0.500	41

NUMERIC SECTION

³Redicoat®: ; • Non Stock Item - Special Order

Numerical List Size & Type

RADIAL SHAFT SEALS

TIMKEN®

Part No.	Lip Mat'l	Shaft Size	Hsg Bore	Seal O.D.	Seal Width	Type/ Illus.	Part No.	Lip Mat'l	Shaft Size	Hsg Bore	Seal O.D.	Seal Width	Type/ Illus.
410000 SERIES (cont.)							410000 SERIES (cont.)						
417518 ³	S	4.250	6.126	6.133	0.500	41	• 417730	S	2.937	4.003	4.008	0.625	41
417520 ³	S	4.312	5.751	5.756	0.500	41	417780 ³	S	5.937	7.502	7.508	0.562	41
417522 ³	S	4.375	6.125	6.131	0.500	41	417921 ³	S	6.187	7.250	7.258	0.734	41
• 417522V	V	4.375	6.125	6.131	0.500	41	417940	S	9.000	10.088	10.095	0.625	41
417525 ³	S	4.437	5.751	5.756	0.500	41	• 417942V	V	5.625	6.750	6.757	0.500	41
417526 ³	S	4.437	5.999	6.007	0.500	41	417967 ³	S	3.937	4.876	4.881	0.500	41
417530 ³	S	4.500	5.376	5.381	0.437	41	417986N ³	N	2.750	5.500	5.506	0.500	41
417531 ³	S	4.500	5.876	5.881	0.500	41	417987N ³	N	3.250	5.500	5.506	0.500	41
417532 ³	S	4.500	6.374	6.382	0.500	41	418027 ³	S	2.625	4.437	4.441	0.437	41
417533 ³	S	4.562	5.751	5.756	0.500	41	418028 ³	S	3.250	4.500	4.506	0.375	41
417534 ³	S	4.562	5.999	6.007	0.500	41	418029 ³	S	3.437	4.249	4.254	0.375	41
417535 ³	S	4.687	5.999	6.007	0.500	41	418038 ³	S	4.187	4.999	5.004	0.375	41
417536 ³	S	4.687	6.250	6.256	0.500	41	440000 SERIES						
417537 ³	S	4.687	6.374	6.382	0.500	41	440131 ³	S	0.875	1.375	1.379	0.187	44
417538 ³	S	4.750	5.876	5.881	0.500	41	440265	S	1.687	2.623	2.627	0.375	44
• 417538V	V	4.750	5.876	5.881	0.500	41	440972	S	2.125	3.371	3.376	0.312	44
417539 ³	S	4.937	5.999	6.007	0.500	41	441130 ³	S	1.000	1.375	1.379	0.187	44
417540 ³	S	4.937	6.374	6.382	0.500	41	441148 ³	S	2.000	3.264	3.269	0.250	44
417541 ³	S	5.000	6.499	6.507	0.500	41	441319	S	1.218	1.979	1.983	0.250	44
417542 ³	S	5.000	6.749	6.757	0.500	41	441853	S	1.875	2.561	2.565	0.500	44
417543 ³	S	5.000	6.874	6.882	0.500	41	442109 ³	S	2.250	3.371	3.376	0.375	44
• 417543V	V	5.000	6.874	6.882	0.500	41	442251V ³	V	1.718	2.561	2.565	0.500	44
417544 ³	S	5.000	7.000	7.007	0.500	41	442251 ³	S	1.718	2.561	2.565	0.500	44
417545 ³	S	5.000	7.500	7.507	0.500	41	442380	S	2.500	3.251	3.256	0.312	44
417546 ³	S	5.125	6.374	6.382	0.500	41	442507	S	2.375	3.350	3.355	0.250	44
417547 ³	S	5.125	6.499	6.507	0.500	41	442874	S	2.312	3.000	3.005	0.250	44
417548 ³	S	5.187	6.499	6.507	0.500	41	443018	S	1.500	1.983	1.988	0.187	44
417549 ³	S	5.250	6.750	6.757	0.500	41	444042	S	2.500	3.500	3.505	0.250	44
417550 ³	S	5.312	6.500	6.507	0.500	41	444116 ³	S	1.812	2.327	2.332	0.437	44
417551 ³	S	5.375	6.374	6.380	0.500	41	446927	S	3.500	4.125	4.130	0.250	44
417554 ³	S	5.375	6.749	6.757	0.500	41	• 446927V	V	3.500	4.125	4.131	0.250	44
417555 ³	S	5.625	6.624	6.631	0.500	41	447060	S	5.250	6.250	6.256	0.250	44
417556 ³	S	5.625	6.874	6.882	0.500	41	450000 SERIES						
• 417556V	V	5.625	6.874	6.882	0.500	41	450005	S	0.500	1.124	1.128	0.375	45
417562 ³	S	6.250	7.750	7.758	0.500	41	• 450009V	V	0.625	1.124	1.128	0.375	45
417563 ³	S	6.375	7.875	7.883	0.500	41	• 450023	S	0.656	1.375	1.379	0.406	45
417564 ³	S	7.000	8.750	8.759	0.625	41	450025 ³	S	0.687	1.375	1.379	0.406	45
417567 ³	S	8.625	10.625	10.635	0.750	41	• 450027N	N	0.750	1.375	1.379	0.406	45
417570 ³	S	10.250	12.250	12.260	0.750	41	450030 ³	S	0.812	1.499	1.503	0.390	45
417571 ³	S	11.000	12.500	12.510	0.625	41	• 450030N	N	0.812	1.499	1.503	0.390	45
417584 ³	S	5.000	6.126	6.131	0.562	41	• 450032N	N	0.875	1.499	1.503	0.390	45
417596 ³	S	6.750	8.250	8.257	0.562	41	450038 ³	S	0.906	1.828	1.832	0.437	45
417597 ³	S	7.000	8.250	8.257	0.625	41	450039 ³	S	0.937	1.828	1.832	0.437	45
417598 ³	S	7.625	9.125	9.133	0.625	41	450040 ³	S	0.968	1.828	1.832	0.437	45
417598V ³	V	7.625	9.125	9.133	0.625	41	450043 ³	S	1.062	1.828	1.832	0.437	45
417600 ³	S	8.000	9.250	9.258	0.625	41	450044 ³	S	1.093	1.828	1.832	0.437	45
417601 ³	S	8.000	9.500	9.508	0.625	41	• 450045N	N	1.125	1.828	1.832	0.437	45
417602 ³	S	8.000	10.000	10.008	0.625	41	• 450045V	V	1.125	1.828	1.832	0.437	45
417603 ³	S	8.500	10.000	10.008	0.625	41	450048 ³	S	1.218	1.983	1.987	0.437	45
417604 ³	S	8.500	10.500	10.508	0.625	41	• 450053	S	1.312	2.374	2.378	0.500	45
417605 ³	S	10.000	11.000	11.008	0.625	41	450054 ³	S	1.343	2.374	2.378	0.500	45
417606	S	9.500	11.500	11.508	0.625	41	• 450055V	V	1.375	2.374	2.378	0.500	45
417608 ³	S	12.000	14.000	14.010	0.750	41	• 450059N	N	1.500	2.374	2.378	0.500	45
417621 ³	S	3.125	4.125	4.130	0.375	41	• 450059V	V	1.500	2.374	2.378	0.500	45
• 417650	S	3.625	6.000	6.006	0.500	41	450065 ³	S	1.593	2.437	2.441	0.468	45
417698 ³	S	3.625	4.376	4.381	0.375	41							

NUMERIC SECTION

³Redicoat®; • Non Stock Item - Special Order

Numerical List Size & Type

RADIAL SHAFT SEALS

Part No.	Lip Mat'l	Shaft Size	Hsg Bore	Seal O.D.	Seal Width	Type/Illus.	Part No.	Lip Mat'l	Shaft Size	Hsg Bore	Seal O.D.	Seal Width	Type/Illus.
450000 SERIES (cont.)							450000 SERIES (cont.)						
450066 ³	S	1.625	2.437	2.441	0.468	45	450159 ³	S	1.093	2.000	2.004	0.437	45
• 450066N	N	1.625	2.437	2.441	0.468	45	450161 ³	S	1.156	2.000	2.004	0.437	45
450067 ³	S	1.500	2.502	2.506	0.500	45	• 450162N	N	1.187	2.000	2.004	0.437	45
• 450067N	N	1.500	2.502	2.506	0.500	45	• 450163N	N	1.250	2.000	2.004	0.437	45
• 450067S	S	1.500	2.502	2.506	0.500	45	• 450169N	N	1.375	2.250	2.254	0.500	45
450068 ³	S	1.718	2.623	2.627	0.500	45	• 450169V	V	1.375	2.250	2.254	0.500	45
450069 ³	S	1.625	2.623	2.627	0.500	45	450173 ³	S	1.218	2.000	2.004	0.437	45
• 450069N	N	1.625	2.623	2.627	0.500	45	450177	S	1.250	2.106	2.110	0.468	45
• 450069V	V	1.625	2.623	2.627	0.500	45	• 450179	S	1.312	2.106	2.110	0.468	45
450070 ³	S	1.750	2.623	2.627	0.500	45	450183 ³	S	1.750	2.750	2.754	0.500	45
• 450070N	N	1.750	2.623	2.627	0.500	45	• 450183N	N	1.750	2.750	2.754	0.500	45
• 450070V	V	1.750	2.623	2.627	0.500	45	450185 ³	S	1.562	2.502	2.506	0.500	45
• 450071N	N	1.875	2.623	2.627	0.500	45	450185V ³	V	1.562	2.502	2.506	0.500	45
• 450071V	V	1.875	2.623	2.627	0.500	45	• 450185N	N	1.562	2.502	2.506	0.500	45
450073 ³	S	1.656	2.686	2.690	0.500	45	450188³	S	1.062	1.561	1.565	0.375	45
450076 ³	S	1.750	2.686	2.690	0.500	45	• 450193	S	1.812	2.996	3.001	0.500	45
• 450076N	N	1.750	2.686	2.690	0.500	45	450194 ³	S	1.625	2.502	2.506	0.500	45
• 450076V	V	1.750	2.686	2.690	0.500	45	• 450194N	N	1.625	2.502	2.506	0.500	45
450078 ³	S	1.625	2.875	2.879	0.468	45	• 450202N	N	0.562	0.999	1.003	0.375	45
450082 ³	S	1.875	2.875	2.879	0.468	45	• 450219N	N	1.000	1.624	1.628	0.437	45
• 450082N	N	1.875	2.875	2.879	0.468	45	• 450244	S	1.250	2.062	2.066	0.437	45
450083 ³	S	2.000	2.875	2.879	0.468	45	• 450244SSR	S	1.250	2.062	2.066	0.437	45
450084³	S	1.875	2.996	3.001	0.500	45	450260 ³	S	1.656	2.502	2.506	0.500	45
450085 ³	S	2.000	2.996	3.001	0.500	45	• 450261	S	2.062	2.996	3.001	0.500	45
• 450085N	N	2.000	2.996	3.001	0.500	45	• 450268	S	1.843	2.623	2.627	0.500	45
• 450085V	V	2.000	2.996	3.001	0.500	45	• 450268N	N	1.843	2.623	2.627	0.500	45
450089 ³	S	1.781	3.189	3.194	0.437	45	450269 ³	S	1.781	2.686	2.690	0.500	45
450090³	S	1.812	3.189	3.194	0.437	45	• 450272	S	1.875	2.686	2.690	0.500	45
450094 ³	S	1.937	3.189	3.194	0.437	45	450273³	S	1.562	2.758	2.762	0.500	45
450094N ³	N	1.937	3.189	3.194	0.437	45	450274 ³	S	1.593	2.758	2.762	0.500	45
450095	S	2.000	3.189	3.194	0.437	45	450275 ³	S	1.625	2.758	2.762	0.500	45
• 450095N	N	2.000	3.189	3.194	0.437	45	450279 ³	S	1.937	2.758	2.762	0.500	45
450096	S	2.062	3.189	3.194	0.437	45	450280 ³	S	1.781	2.758	2.762	0.500	45
450099 ³	S	2.250	3.350	3.355	0.468	45	• 450283	S	1.875	2.758	2.762	0.500	45
450101 ³	S	2.375	3.350	3.355	0.468	45	450285 ³	S	1.781	2.750	2.754	0.500	45
• 450101N	N	2.375	3.350	3.355	0.468	45	450291 ³	S	1.750	2.875	2.879	0.468	45
450103 ³	S	2.375	3.481	3.486	0.500	45	• 450291V	V	1.750	2.875	2.879	0.468	45
450104 ³	S	2.437	3.481	3.486	0.500	45	450298 ³	S	1.875	3.000	3.005	0.500	45
450111 ³	S	1.968	3.350	3.355	0.468	45	450301 ³	S	2.000	3.000	3.005	0.500	45
450115	S	2.125	2.996	3.001	0.500	45	• 450301N	N	2.000	3.000	3.005	0.500	45
• 450115N	N	2.125	2.996	3.001	0.500	45	• 450303N	N	2.125	3.000	3.005	0.500	45
450117	S	1.875	2.750	2.754	0.500	45	• 450303SSR	S	2.125	3.000	3.005	0.500	45
450118	S	1.812	2.750	2.754	0.500	45	• 450303V	V	2.125	3.000	3.005	0.500	45
• 450120	S	1.000	1.499	1.503	0.390	45	450307³	S	2.062	3.061	3.066	0.500	45
450121	S	2.125	3.189	3.194	0.437	45	450308 ³	S	2.125	3.061	3.066	0.500	45
• 450121N	N	2.125	3.189	3.194	0.437	45	• 450310	S	2.000	3.125	3.130	0.500	45
• 450121V	V	2.125	3.189	3.194	0.437	45	450311 ³	S	2.062	3.125	3.130	0.500	45
450132	S	2.250	3.371	3.376	0.468	45	450313 ³	S	2.062	3.251	3.256	0.500	45
450133 ³	S	2.312	3.371	3.376	0.468	45	• 450314	S	2.125	3.251	3.256	0.500	45
• 450141V	V	0.750	1.250	1.254	0.375	45	450316 ³	S	2.250	3.251	3.256	0.500	45
450143³	S	1.562	2.561	2.565	0.500	45	• 450316N	N	2.250	3.251	3.256	0.500	45
450147 ³	S	1.312	2.996	3.001	0.500	45	450317 ³	S	2.312	3.251	3.256	0.500	45
• 450153	S	1.375	2.106	2.110	0.468	45	• 450317N	N	2.312	3.251	3.256	0.500	45
• 450153N	N	1.375	2.106	2.110	0.468	45	• 450323	S	2.500	3.189	3.194	0.437	45
450154	S	1.687	2.502	2.506	0.500	45	• 450323V	V	2.500	3.189	3.194	0.437	45
• 450157	S	1.000	2.000	2.004	0.437	45	• 450324	S	2.437	3.371	3.376	0.468	45

NUMERIC SECTION

Numerical List Size & Type

RADIAL SHAFT SEALS



Part No.	Lip Mat'l	Shaft Size	Hsg Bore	Seal O.D.	Seal Width	Type/ Illus.	Part No.	Lip Mat'l	Shaft Size	Hsg Bore	Seal O.D.	Seal Width	Type/ Illus.
450000 SERIES (cont.)							450000 SERIES (cont.)						
450326³	S	1.500	2.996	3.001	0.500	45	• 450520	S	2.250	3.000	3.005	0.500	45
450329 ³	S	2.625	3.350	3.356	0.468	45	• 450520N	N	2.250	3.000	3.005	0.500	45
• 450330	S	2.500	3.371	3.376	0.468	45	• 450521	S	1.312	1.874	1.878	0.437	45
450332 ³	S	1.125	2.437	2.441	0.468	45	450523³	S	1.500	2.875	2.879	0.468	45
450335 ³	S	1.625	3.062	3.066	0.500	45	• 450524	S	1.875	3.371	3.376	0.468	45
450339 ³	S	0.968	2.062	2.066	0.437	45	• 450525	S	2.437	3.125	3.130	0.500	45
• 450339N	N	0.968	2.062	2.066	0.437	45	• 450532	S	2.062	3.350	3.355	0.468	45
450340³	S	0.750	1.561	1.565	0.375	45	450533 ³	S	1.687	3.189	3.194	0.437	45
450341 ³	S	1.250	2.713	2.717	0.468	45	450535 ³	S	0.625	1.246	1.250	0.375	45
450342³	S	1.062	1.983	1.987	0.437	45	450536 ³	S	0.562	1.246	1.250	0.375	45
• 450342N	N	1.062	1.983	1.987	0.437	45	• 450536N	N	0.562	1.246	1.250	0.375	45
450343 ³	S	2.062	3.371	3.376	0.468	45	450539 ³	S	1.625	3.000	3.005	0.500	45
• 450344	S	1.187	1.828	1.832	0.437	45	450540	S	1.500	3.189	3.194	0.437	45
450350	S	2.375	3.371	3.376	0.468	45	450543V ³	V	2.000	2.717	2.720	0.468	45
• 450350N	N	2.375	3.371	3.376	0.468	45	450545	S	0.968	1.575	1.579	0.375	45
• 450351N	N	1.750	2.437	2.441	0.468	45	• 450548N	N	1.500	2.250	2.254	0.375	45
450352 ³	S	1.750	2.502	2.506	0.500	45	• 450551	S	2.312	3.125	3.130	0.500	45
• 450352N	N	1.750	2.502	2.506	0.500	45	• 450552N	N	2.375	3.125	3.130	0.500	45
450361	S	1.750	2.561	2.565	0.500	45	• 450565	S	2.375	3.125	3.130	0.375	45
450362 ³	S	1.156	2.125	2.129	0.437	45	• 450567V	V	0.875	1.375	1.379	0.312	45
• 450363	S	1.687	2.502	2.506	0.375	45	• 450574N	N	2.375	3.251	3.256	0.500	45
450365 ³	S	2.125	2.875	2.879	0.468	45	450588 ³	S	0.812	1.575	1.579	0.375	45
• 450365V	V	2.125	2.875	2.879	0.468	45	450593³	S	1.000	1.828	1.832	0.296	45
450389 ³	S	2.000	2.750	2.754	0.500	45	450604³	S	1.125	2.250	2.254	0.500	45
• 450394RH	H	1.500	2.125	2.129	0.437	45	• 450604N	N	1.125	2.250	2.254	0.500	45
450400 ³	S	1.750	2.250	2.254	0.359	45	• 450605	S	2.500	3.371	3.376	0.375	45
• 450400V	V	1.750	2.250	2.254	0.359	45	• 450614	S	2.250	3.251	3.256	0.437	45
• 450410N	N	2.000	2.623	2.627	0.500	45	• 450621N	N	2.156	3.189	3.194	0.437	45
450412 ³	S	2.625	3.481	3.486	0.500	45	450621 ³	S	2.156	3.189	3.194	0.437	45
450415 ³	S	1.625	2.996	3.001	0.500	45	450639³	S	2.125	2.835	2.839	0.468	45
• 450426	S	1.125	2.000	2.004	0.375	45	• 450652	S	1.250	2.000	2.004	0.375	45
450430 ³	S	1.125	2.875	2.879	0.468	45	• 450652V	V	1.250	2.000	2.004	0.375	45
450431 ³	S	0.812	1.250	1.254	0.375	45	450666 ³	S	1.578	2.408	2.412	0.500	45
• 450433N	N	2.250	3.125	3.130	0.500	45	• 450681	S	2.187	3.125	3.130	0.500	45
450441 ³	S	2.250	2.996	3.001	0.500	45	• 450681N	N	2.187	3.125	3.130	0.500	45
• 450441N	N	2.250	2.996	3.001	0.500	45	450686 ³	S	2.375	3.483	3.488	0.500	45
450444 ³	S	1.375	2.502	2.506	0.500	45	450693 ³	S	0.984	2.062	2.066	0.437	45
450446 ³	S	2.000	2.713	2.717	0.468	45	• 450718	S	2.187	3.000	3.005	0.437	45
450452 ³	S	1.375	2.835	2.839	0.468	45	• 450725	S	2.609	3.350	3.355	0.375	45
• 450452N	N	1.375	2.835	2.839	0.468	45	• 450725N	N	2.609	3.350	3.355	0.375	45
450456³	S	1.375	2.717	2.720	0.468	45	450737 ³	S	2.250	3.189	3.194	0.437	45
450457 ³	S	0.984	1.828	1.832	0.437	45	450765³	S	1.687	2.717	2.720	0.468	45
450461	S	1.500	2.750	2.754	0.500	45	450776³	S	1.375	2.686	2.690	0.500	45
450463 ³	S	1.375	2.750	2.754	0.500	45	• 450779	S	1.875	2.875	2.879	0.500	45
450467 ³	S	1.625	3.251	3.256	0.500	45	450803 ³	S	1.562	2.717	2.720	0.468	45
450472 ³	S	1.968	2.686	2.690	0.500	45	450819 ³	S	1.625	2.835	2.839	0.468	45
450474 ³	S	1.968	2.875	2.879	0.468	45	450867 ³	S	2.125	2.875	2.879	0.437	45
450482 ³	S	1.156	1.828	1.832	0.437	45	• 450867N	N	2.125	2.875	2.879	0.437	45
450489	S	2.187	2.875	2.879	0.468	45	• 450867V	V	2.125	2.875	2.879	0.437	45
450492 ³	S	1.375	3.350	3.355	0.468	45	450869 ³	S	2.156	3.251	3.256	0.500	45
• 450493	S	1.500	3.350	3.355	0.468	45	• 450898N	N	2.125	2.875	2.879	0.375	45
450494 ³	S	1.750	2.502	2.506	0.375	45	• 450904	S	2.562	3.481	3.486	0.500	45
• 450497	S	1.968	3.371	3.376	0.468	45	• 450908	S	0.984	1.575	1.579	0.374	45
450516 ³	S	1.375	3.125	3.130	0.500	45	450908V	V	0.984	1.575	1.579	0.374	45
450519 ³	S	2.500	3.251	3.256	0.500	45	450911N ³	N	1.968	2.742	2.746	0.500	45
• 450519N	N	2.500	3.251	3.256	0.500	45	450965 ³	S	1.937	3.350	3.355	0.468	45

NUMERIC SECTION

³Redicoat®; • Non Stock Item - Special Order

Numerical List Size & Type

RADIAL SHAFT SEALS

NUMERIC SECTION

Part No.	Lip Mat'l	Shaft Size	Hsg Bore	Seal O.D.	Seal Width	Type/ Illus.	Part No.	Lip Mat'l	Shaft Size	Hsg Bore	Seal O.D.	Seal Width	Type/ Illus.
450000 SERIES (cont.)							450000 SERIES (cont.)						
• 450972	S	2.125	3.371	3.376	0.468	45	• 452019	S	2.187	3.062	3.066	0.500	45
• 450975	S	0.625	1.499	1.503	0.390	45	• 452020	S	2.187	3.125	3.130	0.375	45
• 450984 ³	S	1.500	2.717	2.720	0.468	45	• 452032	S	2.125	3.251	3.256	0.437	45
• 450988N	N	2.375	3.061	3.066	0.500	45	• 452035	S	2.187	3.371	3.376	0.468	45
• 450988V	V	2.375	3.061	3.066	0.500	45	• 452038	S	2.375	3.251	3.256	0.437	45
• 451078 ³	S	1.875	3.251	3.256	0.500	45	452086 ³	S	1.670	2.686	2.690	0.500	45
451082 ³	S	0.968	1.874	1.878	0.437	45	• 452152	S	2.312	3.251	3.256	0.437	45
• 451091	S	2.000	3.062	3.066	0.500	45	• 452157SSR	S	4.250	5.251	5.256	0.375	45
• 451100N	N	1.125	1.624	1.628	0.312	45	• 452222 ³	S	1.531	2.374	2.378	0.375	45
• 451117N	N	1.937	2.824	2.828	0.500	45	452261H ³	H	2.000	2.500	2.504	0.437	45
• 451138	S	2.250	3.125	3.130	0.375	45	452554N ³	N	1.500	1.983	1.987	0.437	45
451143 ³	S	2.625	3.251	3.256	0.437	45	• 452604	S	2.187	3.350	3.355	0.500	45
451147H ³	H	1.750	2.502	2.506	0.406	45	• 452612	S	2.125	2.875	2.879	0.500	45
• 451147N	N	1.750	2.502	2.506	0.406	45	• 452624	S	2.625	3.351	3.356	0.500	45
• 451160N	N	2.312	3.000	3.005	0.500	45	• 452636	S	2.250	3.251	3.256	0.375	45
• 451162N	N	1.875	2.500	2.504	0.437	45	452742 ³	S	1.781	2.502	2.506	0.312	45
451182 ³	S	1.170	2.031	2.035	0.375	45	• 452872	S	1.812	2.561	2.565	0.437	45
• 451195	S	1.937	2.502	2.506	0.375	45	• 452920	S	2.250	3.371	3.376	0.375	45
• 451195V	V	1.937	2.502	2.506	0.375	45	• 453065	S	1.500	2.254	2.258	0.312	45
• 451234	S	2.250	3.061	3.066	0.500	45	453165	S	1.000	2.062	2.066	0.375	45
• 451258	S	1.125	1.828	1.832	0.375	45	453182	S	3.000	3.999	4.004	0.437	45
• 451271	S	2.500	3.251	3.256	0.375	45	• 453244	S	2.187	2.875	2.879	0.375	45
• 451272	S	2.250	3.000	3.005	0.375	45	• 453245	S	2.187	3.251	3.256	0.375	45
• 451275	S	3.250	4.249	4.254	0.468	45	• 453246	S	2.375	3.251	3.256	0.375	45
• 451275N	N	3.250	4.249	4.254	0.468	45	• 453247	S	2.375	3.371	3.376	0.375	45
• 451308	S	1.500	2.374	2.378	0.375	45	• 453248	S	2.625	3.371	3.376	0.375	45
• 451338	S	2.187	3.000	3.005	0.500	45	453279 ³	S	1.250	3.155	3.160	0.500	45
• 451341	S	2.250	2.996	3.001	0.437	45	• 453309	S	1.350	2.502	2.506	0.500	45
• 451350	S	1.750	3.125	3.130	0.500	45	453341 ³	S	1.625	2.374	2.378	0.437	45
• 451414	S	3.375	4.376	4.381	0.562	45	• 453510	S	1.562	2.996	3.000	0.312	45
• 451414N	N	3.375	4.376	4.381	0.562	45	454088 ³	S	2.750	4.500	4.505	0.468	45
451469 ³	S	1.593	2.623	2.627	0.340	45	454136N ³	N	2.250	3.350	3.355	0.312	45
• 451475	S	2.625	3.543	3.548	0.500	45	• 454199	S	2.375	3.350	3.355	0.312	45
• 451509	S	2.500	3.250	3.256	0.437	45	455001 ³	S	2.500	3.543	3.548	0.500	45
• 451583 ³	S	0.968	1.499	1.503	0.312	45	455003 ³	S	2.625	3.623	3.628	0.468	45
451583V ³	V	0.968	1.499	1.503	0.312	45	• 455003N	N	2.625	3.623	3.628	0.468	45
• 451656	S	0.750	1.624	1.628	0.312	45	• 455004N	N	2.750	3.751	3.756	0.500	45
• 451664	S	1.062	1.624	1.628	0.312	45	455004 ³	S	2.750	3.751	3.756	0.500	45
• 451700	S	0.875	1.752	1.756	0.312	45	455005 ³	S	2.812	3.751	3.756	0.500	45
• 451703	S	1.000	1.752	1.756	0.312	45	• 455005N	N	2.812	3.751	3.756	0.500	45
• 451787	S	1.250	2.062	2.066	0.250	45	455006 ³	S	2.875	3.751	3.756	0.500	45
451817 ³	S	1.812	2.437	2.441	0.468	45	455006N ³	N	2.875	3.751	3.756	0.500	45
451845 ³	S	1.250	2.561	2.565	0.500	45	455008 ³	S	2.687	3.876	3.881	0.468	45
• 451857 ³	S	1.500	2.623	2.627	0.500	45	455009 ³	S	2.750	3.876	3.881	0.468	45
• 451879	S	1.750	2.686	2.690	0.437	45	• 455009N	N	2.750	3.876	3.881	0.468	45
• 451883	S	2.000	2.686	2.690	0.437	45	• 455011N	N	2.875	4.003	4.008	0.468	45
• 451936	S	1.875	2.875	2.879	0.437	45	• 455011V	V	2.875	4.003	4.008	0.468	45
• 451936V	V	1.875	2.875	2.879	0.437	45	455011 ³	S	2.875	4.003	4.008	0.468	45
• 451943	S	2.000	2.835	2.839	0.468	45	455012 ³	S	2.937	4.003	4.008	0.468	45
• 451944	S	2.000	2.875	2.879	0.437	45	• 455012N	N	2.937	4.003	4.008	0.468	45
• 451948 ³	S	2.062	2.875	2.879	0.437	45	• 455012V	V	2.937	4.003	4.008	0.468	45
• 451953	S	2.187	2.875	2.879	0.437	45	• 455013N	N	3.000	4.003	4.008	0.468	45
• 452006	S	1.937	2.996	3.001	0.437	45	• 455013V	V	3.000	4.003	4.008	0.468	45
• 452009	S	2.000	3.000	3.005	0.375	45	455013 ³	S	3.000	4.003	4.008	0.468	45
• 452017	S	2.187	2.996	3.001	0.437	45	455014 ³	S	3.000	4.249	4.254	0.625	45
• 452018	S	2.187	3.000	3.005	0.375	45	455015 ³	S	3.062	4.249	4.254	0.625	45

Numerical List Size & Type

RADIAL SHAFT SEALS



Part No.	Lip Mat'l	Shaft Size	Hsg Bore	Seal O.D.	Seal Width	Type/ Illus.	Part No.	Lip Mat'l	Shaft Size	Hsg Bore	Seal O.D.	Seal Width	Type/ Illus.
450000 SERIES (cont.)							450000 SERIES (cont.)						
455018 ³	S	3.250	4.249	4.254	0.625	45	• 455096V	V	2.437	3.500	3.505	0.500	45
455019³	S	3.000	4.999	5.004	0.468	45	455096 ³	S	2.437	3.500	3.505	0.500	45
455020 ³	S	3.062	4.999	5.004	0.468	45	• 455098N	N	2.562	3.500	3.505	0.500	45
• 455021	S	3.125	4.999	5.004	0.468	45	455104	S	5.250	6.499	6.507	0.625	45
455022 ³	S	3.187	4.999	5.004	0.468	45	• 455105N	N	5.375	6.624	6.632	0.625	45
455024 ³	S	3.312	4.999	5.004	0.468	45	• 455107	S	5.750	7.000	7.008	0.625	45
455026 ³	S	3.437	4.999	5.004	0.468	45	• 455107N	N	5.750	7.000	7.008	0.625	45
455027	S	3.500	4.999	5.004	0.468	45	• 455107RB	S	5.750	7.000	7.008	0.625	45
455031³	S	3.750	4.999	5.004	0.468	45	• 455107V	V	5.750	7.000	7.008	0.625	45
• 455031N	N	3.750	4.999	5.004	0.468	45	455117 ³	S	7.375	8.875	8.882	0.750	45
455032 ³	S	3.812	4.999	5.004	0.468	45	455121 ³	S	7.875	9.375	9.383	0.750	45
455033	S	3.875	4.999	5.004	0.468	45	455121V ³	V	7.875	9.375	9.383	0.750	45
455034 ³	S	3.937	4.999	5.004	0.468	45	455123 ³	S	8.125	10.125	10.130	0.750	45
• 455034N	N	3.937	4.999	5.004	0.468	45	455129 ³	S	8.875	10.875	10.885	0.750	45
• 455034V	V	3.937	4.999	5.004	0.468	45	• 455130	S	1.937	3.543	3.548	0.500	45
455035	S	4.000	4.999	5.005	0.468	45	• 455134N	N	4.125	4.999	5.005	0.468	45
455035N	N	4.000	4.999	5.005	0.468	45	• 455134V	V	4.125	4.999	5.005	0.468	45
455037 ³	S	4.062	5.501	5.506	0.562	45	455134³	S	4.125	4.999	5.005	0.468	45
• 455039	S	4.187	5.501	5.506	0.562	45	455136 ³	S	2.250	3.481	3.486	0.500	45
• 455040N	N	4.250	5.501	5.506	0.562	45	455137	S	3.250	4.499	4.504	0.468	45
• 455044	S	4.187	5.751	5.756	0.562	45	• 455137V	V	3.250	4.499	4.504	0.468	45
• 455045	S	4.250	5.751	5.756	0.562	45	• 455138	S	4.750	5.750	5.756	0.500	45
• 455046	S	4.312	5.751	5.756	0.562	45	• 455138N	N	4.750	5.750	5.756	0.500	45
• 455047	S	4.375	5.751	5.756	0.562	45	• 455140	S	5.375	6.749	6.757	0.625	45
• 455053N	N	4.750	5.751	5.757	0.562	45	• 455142	S	4.125	5.251	5.256	0.468	45
• 455053V	V	4.750	5.750	5.757	0.562	45	455144³	S	2.875	4.499	4.504	0.468	45
455056 ³	S	4.125	6.250	6.256	0.562	45	455146 ³	S	3.500	4.499	4.504	0.468	45
• 455057	S	4.187	6.250	6.256	0.562	45	455147 ³	S	2.500	3.500	3.505	0.500	45
• 455059	S	4.312	6.250	6.256	0.562	45	• 455147N	N	2.500	3.500	3.505	0.500	45
• 455059N	N	4.312	6.250	6.256	0.562	45	• 455148	S	3.875	5.251	5.256	0.468	45
• 455062N	N	4.500	6.250	6.256	0.562	45	• 455149	S	2.625	3.751	3.756	0.500	45
• 455062V	V	4.500	6.250	6.256	0.562	45	• 455150V	V	3.750	5.251	5.256	0.468	45
• 455064	S	4.625	6.250	6.256	0.562	45	455151³	S	2.687	3.751	3.756	0.500	45
• 455066	S	4.750	6.250	6.256	0.562	45	• 455152	S	2.875	4.125	4.130	0.562	45
• 455067	S	4.812	6.250	6.256	0.562	45	455154	S	3.000	4.125	4.130	0.562	45
• 455068N	N	4.875	6.250	6.256	0.562	45	• 455155	S	3.062	4.125	4.130	0.562	45
• 455069	S	4.937	6.250	6.256	0.562	45	• 455156N	N	3.125	4.125	4.130	0.562	45
• 455070V	V	5.000	6.250	6.256	0.562	45	• 455156V	V	3.125	4.125	4.130	0.562	45
455070	S	5.000	6.250	6.256	0.562	45	• 455160	S	3.125	4.376	4.381	0.625	45
• 455071N	N	5.125	6.376	6.382	0.625	45	• 455161	S	3.187	4.376	4.381	0.625	45
455073 ³	S	5.500	6.749	6.757	0.625	45	• 455162	S	3.250	4.376	4.381	0.625	45
455075	S	5.875	7.125	7.133	0.625	45	• 455162N	N	3.250	4.376	4.381	0.625	45
455079³	S	2.500	3.751	3.756	0.500	45	• 455163	S	3.312	4.376	4.381	0.625	45
• 455079V	V	2.500	3.751	3.756	0.500	45	• 455164	S	3.375	4.376	4.381	0.625	45
455080³	S	2.125	3.623	3.628	0.468	45	• 455164N	N	3.375	4.376	4.381	0.625	45
• 455081V	V	4.187	5.125	5.131	0.500	45	• 455165V	V	3.375	4.499	4.504	0.468	45
• 455085	S	3.312	4.499	4.504	0.468	45	455165	S	3.375	4.499	4.504	0.468	45
• 455085V	V	3.312	4.499	4.504	0.468	45	• 455166	S	3.437	4.499	4.504	0.468	45
• 455086N	N	3.000	4.249	4.254	0.468	45	• 455168	S	3.375	4.626	4.631	0.625	45
455086 ³	S	3.000	4.249	4.254	0.468	45	• 455168N	N	3.375	4.626	4.631	0.625	45
455088	S	3.000	4.499	4.504	0.468	45	• 455170N	N	3.500	4.626	4.631	0.625	45
455088V ³	V	3.000	4.499	4.504	0.468	45	• 455172N	N	3.625	4.626	4.631	0.625	45
• 455088N	N	3.000	4.499	4.504	0.468	45	• 455172V	V	3.625	4.626	4.631	0.625	45
455091	S	4.875	5.999	6.007	0.625	45	• 455173N	N	3.500	4.751	4.756	0.625	45
455093 ³	S	2.250	3.500	3.505	0.500	45	455173 ³	S	3.500	4.751	4.756	0.625	45
• 455094N	N	2.312	3.500	3.505	0.500	45	• 455174	S	3.562	4.751	4.756	0.625	45

NUMERIC SECTION

³Redicoat® ; • Non Stock Item - Special Order

Numerical List Size & Type

RADIAL SHAFT SEALS

Part No.	Lip Mat'l	Shaft Size	Hsg Bore	Seal O.D.	Seal Width	Type/Illus.	Part No.	Lip Mat'l	Shaft Size	Hsg Bore	Seal O.D.	Seal Width	Type/Illus.
450000 SERIES (cont.)							450000 SERIES (cont.)						
• 455175	S	3.625	4.751	4.756	0.625	45	• 455273	S	5.500	6.499	6.507	0.625	45
• 455178	S	3.812	4.751	4.756	0.625	45	• 455273N	N	5.500	6.499	6.507	0.625	45
• 455179N	N	3.875	4.751	4.756	0.625	45	• 455273V	V	5.500	6.499	6.507	0.625	45
• 455181	S	3.625	4.876	4.881	0.625	45	• 455273VG0	V	5.500	6.499	6.507	0.625	45
• 455183	S	3.750	4.876	4.881	0.625	45	455280 ³	S	2.562	3.876	3.881	0.468	45
• 455185	S	3.875	4.876	4.881	0.625	45	• 455281N	N	3.000	3.751	3.756	0.500	45
• 455185N	N	3.875	4.876	4.881	0.625	45	• 455281V	V	3.000	3.751	3.756	0.500	45
455186 ³	S	3.937	4.876	4.881	0.625	45	455285	S	5.000	6.250	6.256	0.625	45
455188	S	4.000	5.126	5.131	0.625	45	455290 ³	S	5.062	6.374	6.382	0.625	45
455189 ³	S	3.812	5.251	5.256	0.468	45	• 455292	S	1.375	3.500	3.505	0.500	45
• 455189N	N	3.812	5.251	5.256	0.468	45	455294	S	6.500	7.500	7.508	0.562	45
455191 ³	S	3.937	5.251	5.256	0.468	45	• 455295	S	4.187	4.999	5.004	0.468	45
455192	S	4.000	5.251	5.256	0.468	45	• 455296	S	2.625	4.003	4.008	0.468	45
455194 ³	S	4.187	5.251	5.256	0.468	45	455297 ³	S	5.875	7.500	7.508	0.562	45
455195	S	4.250	5.251	5.256	0.468	45	• 455303	S	2.875	3.623	3.628	0.375	45
• 455195V	V	4.250	5.251	5.256	0.468	45	• 455304	S	3.250	4.249	4.254	0.500	45
• 455196N	N	4.250	5.376	5.381	0.500	45	• 455304N	N	3.250	4.249	4.254	0.500	45
455197 ³	S	4.312	5.501	5.506	0.562	45	• 455304V	V	3.250	4.249	4.254	0.500	45
455197N ³	N	4.312	5.501	5.506	0.562	45	455308	S	1.500	3.544	3.548	0.500	45
• 455198N	N	4.375	5.501	5.506	0.562	45	455310	S	2.875	4.335	4.340	0.437	45
• 455200V	V	4.500	5.500	5.506	0.562	45	• 455310V	V	2.875	4.335	4.340	0.437	45
455200 ³	S	4.500	5.500	5.506	0.562	45	455311 ³	S	2.562	3.543	3.548	0.500	45
455200N	N	4.500	5.500	5.506	0.562	45	• 455312	S	5.000	6.374	6.382	0.625	45
• 455201	S	4.000	5.999	6.007	0.625	45	• 455312V	V	5.000	6.374	6.382	0.625	45
455203 ³	S	4.125	6.000	6.007	0.625	45	• 455315N	N	2.750	3.623	3.628	0.468	45
• 455204	S	4.187	5.999	6.007	0.625	45	• 455315V	V	2.750	3.623	3.628	0.468	45
• 455205	S	4.250	5.999	6.007	0.625	45	• 455318	S	5.000	6.749	6.757	0.625	45
• 455205N	N	4.250	5.999	6.007	0.625	45	• 455319	S	3.500	5.126	5.131	0.625	45
• 455206	S	4.312	5.999	6.007	0.625	45	455321 ³	S	2.312	3.751	3.756	0.500	45
• 455207	S	4.375	5.999	6.007	0.625	45	455322 ³	S	2.750	3.543	3.548	0.500	45
• 455209	S	4.500	6.001	6.007	0.625	45	455322N ³	N	2.750	3.543	3.548	0.500	45
• 455214	S	4.812	5.999	6.007	0.625	45	455322V ³	V	2.750	3.543	3.548	0.500	45
• 455215V	V	5.500	6.749	6.756	0.500	45	• 455325	S	4.500	6.374	6.382	0.625	45
• 455217	S	4.875	6.127	6.132	0.625	45	455328 ³	S	3.250	5.251	5.256	0.468	45
• 455233	S	4.750	5.876	5.881	0.625	45	455330 ³	S	6.125	7.125	7.133	0.625	45
• 455244N	N	2.562	3.751	3.756	0.500	45	455336 ³	S	3.187	4.499	4.504	0.468	45
• 455245	S	3.125	4.751	4.756	0.625	45	• 455341	S	3.437	4.876	4.881	0.625	45
• 455247	S	4.937	6.374	6.382	0.625	45	• 455342	S	4.500	5.876	5.881	0.625	45
• 455248	S	2.375	3.543	3.548	0.500	45	• 455350	S	2.187	3.623	3.628	0.468	45
455249 ³	S	3.375	4.688	4.693	0.500	45	• 455351	S	4.500	6.250	6.256	0.500	45
• 455250	S	2.875	3.623	3.628	0.468	45	• 455354N	N	3.125	4.003	4.008	0.468	45
• 455250N	N	2.875	3.623	3.628	0.468	45	455355 ³	S	2.875	3.876	3.881	0.468	45
• 455251	S	4.812	5.751	5.756	0.562	45	455356 ³	S	2.937	4.499	4.504	0.468	45
• 455251N	N	4.812	5.751	5.756	0.562	45	• 455363	S	5.750	6.749	6.757	0.625	45
455251H ³	H	4.812	5.751	5.756	0.562	45	• 455364N	N	2.750	3.500	3.505	0.500	45
455253 ³	S	2.000	3.543	3.548	0.500	45	455364 ³	S	2.750	3.500	3.505	0.500	45
• 455255	S	3.500	4.875	4.881	0.625	45	455368 ³	S	2.625	3.500	3.505	0.500	45
• 455258	S	4.750	6.127	6.132	0.625	45	• 455368N	N	2.625	3.500	3.505	0.500	45
• 455259	S	2.250	3.751	3.756	0.500	45	• 455371N	N	4.625	5.751	5.756	0.562	45
455260 ³	S	2.062	3.623	3.628	0.468	45	• 455375	S	4.750	6.625	6.632	0.625	45
• 455262	S	3.500	5.501	5.506	0.562	45	• 455378N	N	4.687	5.751	5.756	0.562	45
• 455265	S	3.250	4.751	4.756	0.625	45	• 455379N	N	3.750	4.751	4.756	0.500	45
• 455267	S	2.312	4.003	4.008	0.468	45	455379 ³	S	3.750	4.751	4.756	0.500	45
• 455271N	N	5.000	5.999	6.007	0.625	45	• 455380	S	2.375	3.623	3.628	0.468	45
• 455271V	V	5.000	6.001	6.007	0.625	45	• 455380N	N	2.375	3.623	3.628	0.468	45
455272	S	2.750	4.003	4.008	0.468	45	• 455380V	V	2.375	3.623	3.628	0.468	45

NUMERIC SECTION

Numerical List Size & Type

RADIAL SHAFT SEALS



Part No.	Lip Mat'l	Shaft Size	Hsg Bore	Seal O.D.	Seal Width	Type/ Illus.	Part No.	Lip Mat'l	Shaft Size	Hsg Bore	Seal O.D.	Seal Width	Type/ Illus.
450000 SERIES (cont.)							450000 SERIES (cont.)						
• 455384	S	2.812	4.003	4.008	0.468	45	• 455577	S	3.250	4.723	4.729	0.468	45
• 455389	S	3.625	4.499	4.504	0.468	45	455583N ³	N	6.187	7.500	7.507	0.562	45
• 455389V	V	3.625	4.499	4.504	0.468	45	455584 ³	S	6.875	8.375	8.382	0.625	45
• 455393	S	4.125	5.126	5.131	0.625	45	• 455591	S	4.937	6.131	6.136	0.562	45
• 455394	S	3.125	5.251	5.256	0.468	45	• 455601	S	4.500	6.127	6.132	0.562	45
• 455395	S	5.250	6.750	6.757	0.625	45	• 455608	S	3.977	5.376	5.381	0.500	45
455396³	S	3.500	5.751	5.756	0.562	45	• 455612	S	3.312	5.501	5.506	0.562	45
• 455402	S	3.562	5.751	5.756	0.562	45	• 455612N	N	3.312	5.501	5.506	0.562	45
455406	S	7.750	9.250	9.260	0.625	45	• 455613	S	3.375	4.249	4.254	0.625	45
• 455423	S	3.750	5.501	5.506	0.562	45	• 455614	S	4.812	6.499	6.507	0.625	45
455434 ³	S	2.687	3.500	3.505	0.500	45	• 455618	S	5.750	7.875	7.883	0.750	45
• 455436	S	3.625	5.751	5.756	0.562	45	• 455625	S	4.187	6.373	6.381	0.625	45
• 455437N	N	3.500	4.751	4.756	0.500	45	• 455636	S	2.187	3.500	3.505	0.500	45
• 455448N	N	5.250	6.250	6.256	0.562	45	• 455645	S	5.250	6.500	6.507	0.562	45
• 455448V	V	5.250	6.250	6.256	0.562	45	• 455647	S	2.312	3.543	3.548	0.500	45
455448	S	5.250	6.250	6.256	0.562	45	• 455650	S	2.375	4.376	4.381	0.625	45
• 455458	S	2.625	3.623	3.628	0.375	45	• 455652	S	5.625	7.125	7.133	0.625	45
• 455460	S	5.000	7.500	7.507	0.562	45	455655³	S	2.500	4.003	4.008	0.468	45
• 455461	S	5.375	6.499	6.507	0.625	45	• 455659	S	2.125	3.500	3.505	0.500	45
• 455461N	N	5.375	6.500	6.507	0.625	45	• 455661	S	5.500	7.876	7.883	0.750	45
455462 ³	S	9.000	10.500	10.510	0.750	45	• 455685N	N	4.625	5.875	5.881	0.625	45
• 455464	S	5.312	6.499	6.507	0.625	45	455685	S	4.625	5.875	5.881	0.625	45
455471 ³	S	3.437	5.250	5.256	0.468	45	• 455697	S	3.875	5.125	5.131	0.500	45
• 455472	S	3.437	5.501	5.506	0.562	45	• 455712	S	4.250	5.251	5.256	0.625	45
• 455473	S	4.250	6.127	6.132	0.625	45	• 455712N	N	4.250	5.251	5.256	0.625	45
455475 ³	S	8.250	9.250	9.258	0.625	45	• 455719	S	2.750	3.876	3.882	0.500	45
455476	S	9.000	10.250	10.260	0.750	45	• 455725	S	5.000	6.001	6.007	0.500	45
455479	S	3.000	3.876	3.881	0.468	45	• 455725N	N	5.000	6.001	6.007	0.500	45
455479V	V	3.000	3.876	3.881	0.468	45	• 455728	S	2.375	3.750	3.756	0.500	45
455480 ³	S	6.250	7.500	7.508	0.562	45	• 455734	S	3.164	4.249	4.254	0.625	45
455480V	V	6.250	7.500	7.508	0.562	45	• 455799N	N	5.250	6.250	6.256	0.625	45
• 455483	S	2.625	3.500	3.505	0.375	45	455820 ³	S	3.000	4.875	4.881	0.625	45
• 455486	S	3.625	4.751	4.756	0.562	45	• 455824	S	5.125	6.251	6.256	0.562	45
• 455487	S	5.625	6.624	6.631	0.625	45	455828V ³	V	8.500	9.500	9.509	0.625	45
• 455487N	N	5.625	6.624	6.631	0.625	45	• 455832	S	3.625	5.375	5.381	0.500	45
• 455494N	N	5.187	6.499	6.507	0.625	45	• 455836	S	3.000	4.003	4.008	0.437	45
• 455495	S	5.125	6.499	6.507	0.625	45	• 455852	S	3.750	5.751	5.756	0.562	45
• 455498	S	3.562	4.499	4.504	0.468	45	455858 ³	S	3.437	4.756	4.761	0.562	45
• 455498N	N	3.562	4.499	4.504	0.468	45	455860	S	2.375	3.876	3.881	0.468	45
455499 ³	S	3.437	4.249	4.254	0.625	45	• 455861	S	4.375	6.064	6.071	0.625	45
455500 ³	S	3.298	4.125	4.130	0.562	45	455867V ³	V	7.500	8.500	8.509	0.625	45
455509	S	3.000	3.936	3.941	0.500	45	• 455872	S	2.750	3.538	3.543	0.500	45
• 455512	S	4.000	5.374	5.379	0.500	45	• 455872V	V	2.750	3.538	3.543	0.500	45
455513 ³	S	4.000	5.626	5.631	0.500	45	• 455894	S	3.375	4.376	4.381	0.500	45
455513N	N	4.000	5.626	5.631	0.500	45	• 455894N	N	3.375	4.376	4.381	0.500	45
• 455526N	N	3.000	3.876	3.881	0.500	45	• 455899	S	3.500	4.375	4.381	0.562	45
455536 ³	S	1.750	3.543	3.548	0.500	45	• 455911	S	2.625	3.623	3.629	0.500	45
455547	S	3.875	5.126	5.131	0.625	45	• 455923N	N	3.550	4.376	4.381	0.375	45
• 455547N	N	3.875	5.126	5.131	0.625	45	• 455937	S	3.625	4.751	4.756	0.500	45
455556 ³	S	2.875	4.376	4.381	0.625	45	• 455938	S	5.375	6.624	6.632	0.562	45
• 455559	S	3.500	5.251	5.256	0.468	45	• 455942	S	5.356	6.500	6.507	0.562	45
• 455566N	N	3.250	4.125	4.130	0.562	45	• 455947	S	3.625	4.874	4.879	0.625	45
• 455566V	V	3.250	4.125	4.130	0.562	45	455948 ³	S	6.875	7.875	7.883	0.625	45
455566³	S	3.250	4.125	4.130	0.562	45	• 455953N	N	4.000	4.999	5.004	0.500	45
• 455575	S	3.937	5.501	5.506	0.562	45	• 455956N	N	5.187	6.500	6.507	0.625	45
455576³	S	5.375	6.499	6.507	0.562	45	455956H ³	H	5.187	6.500	6.507	0.625	45

NUMERIC SECTION

³Redicoat®; ; • Non Stock Item - Special Order

Numerical List Size & Type

RADIAL SHAFT SEALS

NUMERIC SECTION

Part No.	Lip Mat'l	Shaft Size	Hsg Bore	Seal O.D.	Seal Width	Type/ Illus.	Part No.	Lip Mat'l	Shaft Size	Hsg Bore	Seal O.D.	Seal Width	Type/ Illus.
450000 SERIES (cont.)							450000 SERIES (cont.)						
455958	S	3.875	5.376	5.381	0.500	45	• 456273	S	2.500	3.623	3.628	0.375	45
• 455960	S	2.750	3.876	3.881	0.375	45	• 456281N	N	2.750	4.125	4.130	0.562	45
• 455963N	N	3.750	4.751	4.756	0.484	45	• 456282	S	2.750	4.249	4.254	0.468	45
455966 ³	S	8.750	10.500	10.510	0.750	45	• 456286	S	2.875	4.249	4.254	0.625	45
• 455984	S	2.750	3.623	3.628	0.375	45	• 456287	S	3.125	4.249	4.254	0.468	45
• 455991	S	3.500	4.501	4.506	0.468	45	• 456288	S	3.125	4.249	4.254	0.500	45
455995N ³	N	3.000	4.003	4.008	0.375	45	• 456289	S	3.125	4.376	4.381	0.562	45
• 456003	S	3.625	4.624	4.629	0.500	45	• 456289N	N	3.125	4.375	4.381	0.562	45
• 456011	S	3.125	4.125	4.130	0.500	45	• 456290	S	3.250	4.376	4.381	0.562	45
• 456011V	V	3.125	4.125	4.130	0.500	45	• 456290V	V	3.250	4.376	4.381	0.562	45
• 456026	S	3.000	4.249	4.254	0.500	45	• 456294	S	3.375	4.249	4.254	0.500	45
• 456026V	V	3.000	4.249	4.254	0.500	45	• 456294N	N	3.375	4.249	4.254	0.500	45
• 456030N	N	4.500	5.501	5.506	0.500	45	• 456301	S	3.125	4.999	5.004	0.500	45
• 456039	S	5.750	7.500	7.508	0.562	45	456305³	S	3.250	4.751	4.756	0.484	45
• 456039N	N	5.750	7.500	7.508	0.562	45	• 456306	S	3.250	4.751	4.756	0.500	45
• 456041	S	3.750	4.626	4.632	0.500	45	• 456323	S	3.375	4.751	4.756	0.625	45
• 456043	S	3.875	5.751	5.756	0.562	45	• 456325	S	3.375	4.999	5.004	0.500	45
• 456047	S	3.625	4.625	4.631	0.500	45	• 456327	S	3.375	5.251	5.256	0.468	45
• 456055N	N	6.000	7.001	7.008	0.625	45	• 456331	S	3.500	4.999	5.004	0.500	45
• 456055V	V	6.000	7.001	7.008	0.625	45	• 456335	S	3.625	5.251	5.256	0.468	45
456055 ³	V	6.000	7.001	7.008	0.625	45	• 456339	S	3.750	4.999	5.004	0.500	45
456057 ³	S	1.937	3.751	3.756	0.500	45	• 456343	S	3.875	4.751	4.756	0.484	45
• 456068	S	3.500	4.376	4.381	0.625	45	• 456345	S	3.875	4.999	5.004	0.500	45
456105 ³	S	3.187	4.249	4.254	0.468	45	• 456345N	N	3.875	4.999	5.004	0.500	45
• 456107	S	5.500	6.750	6.758	0.575	45	• 456350	S	3.937	4.999	5.004	0.500	45
• 456111	S	2.843	4.501	4.506	0.375	45	• 456370	S	3.000	4.751	4.756	0.625	45
• 456112	S	5.375	7.874	7.881	0.750	45	• 456380	S	4.375	5.500	5.506	0.500	45
• 456112N	N	5.375	7.873	7.881	0.750	45	• 456389	S	3.625	5.501	5.506	0.562	45
• 456113	S	3.562	4.500	4.506	0.500	45	456462 ³	S	9.000	10.375	10.384	0.625	45
• 456113N	N	3.562	4.500	4.506	0.500	45	• 456472	S	2.375	3.623	3.628	0.500	45
• 456125	S	3.625	4.999	5.004	0.500	45	• 456476N	N	5.875	7.125	7.131	0.500	45
• 456127	S	3.750	5.376	5.381	0.500	45	• 456500	S	2.937	3.937	3.942	0.500	45
• 456128	S	3.875	5.501	5.506	0.562	45	• 456556	S	4.250	5.250	5.256	0.500	45
• 456130	S	4.000	5.376	5.381	0.500	45	• 456557V	V	5.125	6.125	6.131	0.500	45
• 456135	S	4.250	5.626	5.631	0.500	45	456557 ³	V	5.125	6.125	6.131	0.500	45
• 456136N	N	4.250	5.876	5.881	0.625	45	456618 ³	S	3.880	5.690	5.695	0.500	45
• 456136V	V	4.250	5.876	5.881	0.625	45	• 456619	S	2.562	3.623	3.628	0.500	45
456141 ³	S	4.312	5.376	5.381	0.500	45	• 456621V	V	4.875	6.000	6.006	0.562	45
• 456150	S	4.375	6.125	6.131	0.562	45	• 456622	S	2.250	3.350	3.355	0.500	45
• 456160	S	4.750	6.125	6.131	0.562	45	• 456624	S	3.500	4.376	4.381	0.500	45
• 456167	S	4.875	5.999	6.007	0.500	45	• 456626	S	3.875	4.876	4.881	0.500	45
• 456168	S	4.875	6.125	6.131	0.562	45	• 456641HCR	H	4.625	5.500	5.506	0.562	45
• 456174	S	5.375	6.374	6.382	0.625	45	456641 ³	H	4.625	5.500	5.506	0.562	45
• 456189	S	5.500	6.624	6.631	0.625	45	456648 ³	S	3.312	4.501	4.506	0.468	45
• 456190	S	5.500	6.874	6.882	0.625	45	• 456664	S	2.750	3.500	3.505	0.375	45
• 456190N	N	5.500	6.875	6.882	0.625	45	• 456666	S	5.750	7.001	7.008	0.562	45
• 456192N	N	5.500	7.500	7.507	0.562	45	• 456676	S	3.875	6.064	6.070	0.625	45
456192 ³	S	5.500	7.500	7.507	0.562	45	• 456724	S	7.000	8.377	8.384	0.750	45
• 456199	S	5.625	7.500	7.508	0.562	45	• 456733	S	3.062	4.331	4.336	0.500	45
• 456214	S	5.750	6.874	6.882	0.625	45	• 456744	S	3.625	4.375	4.381	0.375	45
• 456215	S	5.750	7.125	7.133	0.625	45	456744N ³	N	3.625	4.375	4.381	0.375	45
• 456219N	N	6.000	7.125	7.133	0.625	45	• 456792	S	2.250	3.623	3.628	0.500	45
• 456267	S	2.125	3.501	3.505	0.375	45	• 456799SGR	S	3.164	4.999	5.004	0.468	45
• 456269	S	2.187	3.543	3.548	0.500	45	456799 ³	S	3.164	4.999	5.004	0.468	45
• 456271	S	2.375	3.500	3.505	0.375	45	• 456800	S	4.500	6.001	6.007	0.500	45
• 456271V	V	2.375	3.500	3.505	0.375	45	• 456830	S	5.125	6.375	6.381	0.625	45

Numerical List Size & Type

RADIAL SHAFT SEALS



Part No.	Lip Mat'l	Shaft Size	Hsg Bore	Seal O.D.	Seal Width	Type/ Illus.
450000 SERIES (cont.)						
456837V	V	2.843	4.003	4.008	0.500	45
• 456861	S	2.125	3.350	3.355	0.500	45
• 456865	S	5.000	6.250	6.256	0.500	45
• 456865V	V	5.000	6.250	6.256	0.500	45
456865N	N	5.000	6.250	6.256	0.500	45
• 456873	S	4.000	5.689	5.695	0.500	45
• 456876	S	2.750	3.623	3.628	0.500	45
• 456886	S	2.875	4.003	4.008	0.500	45
• 456887	S	4.000	5.500	5.506	0.500	45
• 456888	S	4.500	5.500	5.506	0.500	45
• 456888N	N	4.500	5.500	5.506	0.500	45
• 456888V	V	4.500	5.500	5.506	0.500	45
• 456889	S	4.187	5.500	5.506	0.500	45
456890 ³	S	4.812	6.250	6.256	0.500	45
• 456891	S	4.250	5.500	5.506	0.500	45
• 456892	S	4.500	5.750	5.756	0.500	45
• 456909	S	3.125	3.937	3.942	0.500	45
456919V	V	3.687	4.501	4.506	0.500	45
• 456921	S	2.875	4.003	4.008	0.375	45
• 456946N	N	4.000	5.250	5.256	0.375	45
• 456967N	N	4.000	5.000	5.005	0.312	45
456967V ³	V	4.000	5.000	5.005	0.312	45
• 456981	S	3.875	4.751	4.756	0.500	45
• 457134	S	2.875	4.125	4.130	0.375	45
• 457158	S	2.875	3.876	3.881	0.375	45
• 457163	S	3.000	4.501	4.506	0.468	45
• 457165	S	3.000	4.750	4.756	0.500	45
• 457171	S	3.125	4.375	4.381	0.500	45
• 457172	S	3.125	4.500	4.506	0.500	45
• 457173	S	3.125	4.625	4.631	0.500	45
• 457181	S	3.250	4.376	4.381	0.500	45
• 457191	S	3.375	4.500	4.506	0.500	45
• 457196	S	3.500	4.625	4.631	0.500	45
• 457205	S	3.750	4.875	4.881	0.500	45
• 457247	S	4.750	6.001	6.007	0.500	45
• 457247N	N	4.750	6.001	6.007	0.500	45
• 457254	S	5.500	6.500	6.507	0.562	45
• 457262	S	5.250	6.250	6.256	0.500	45
• 457262N	N	5.250	6.250	6.256	0.500	45
• 457278	S	5.000	6.375	6.381	0.500	45
457295³	S	4.437	5.500	5.506	0.562	25
• 457316	S	2.750	3.751	3.756	0.375	45
• 457343	S	2.625	3.751	3.756	0.375	45
• 457344	S	2.875	3.751	3.756	0.375	45
• 457349	S	3.000	3.751	3.756	0.437	45
• 457350	S	3.000	3.876	3.881	0.437	45
• 457351	S	3.000	4.125	4.130	0.437	45
• 457352	S	3.250	4.500	4.506	0.500	45
• 457353	S	3.250	4.626	4.632	0.500	45
• 457354	S	3.375	4.626	4.632	0.500	45
• 457355	S	3.625	4.875	4.881	0.500	45
• 457356	S	4.000	5.125	5.131	0.500	45
• 457357	S	4.000	5.250	5.256	0.500	45
• 457358	S	5.250	6.375	6.381	0.500	45
• 457359	S	5.250	6.625	6.632	0.562	45
• 457360	S	5.500	6.625	6.632	0.562	45

Part No.	Lip Mat'l	Shaft Size	Hsg Bore	Seal O.D.	Seal Width	Type/ Illus.
450000 SERIES (cont.)						
• 457361	S	5.500	6.875	6.882	0.562	45
• 457362	S	5.750	6.750	6.757	0.562	45
• 457363	S	5.750	6.875	6.882	0.562	45
• 457364	S	5.750	7.125	7.132	0.562	45
• 457365	S	6.000	7.125	7.132	0.562	45
• 457366	S	3.875	5.250	5.256	0.500	45
• 457382N	N	4.000	4.998	5.004	0.375	45
• 457557	S	5.750	7.500	7.506	0.500	45
457585 ³	S	4.562	6.250	6.256	0.500	45
• 457599	S	3.500	4.376	4.381	0.375	45
• 457649V	V	4.000	5.125	5.130	0.312	45
• 457661V	V	4.250	5.876	5.881	0.500	45
457874 ³	S	6.125	7.627	7.633	0.625	45
• 457961	S	3.312	5.125	5.131	0.500	45
457997 ³	S	10.500	12.000	12.008	0.625	45
470000 SERIES						
416273V ³	V	2.500	3.623	3.628	0.375	47
470004 ³	S	0.468	1.124	1.126	0.375	47
470005 ³	S	0.500	1.124	1.128	0.375	47
• 470007	S	0.562	1.124	1.128	0.375	47
• 470009N	N	0.625	1.124	1.128	0.375	47
• 470016	S	0.562	1.250	1.254	0.375	47
• 470021	S	0.562	1.375	1.379	0.406	47
470027 ³	S	0.750	1.375	1.379	0.406	47
470034 ³	S	0.781	1.828	1.832	0.437	47
470041 ³	S	1.000	1.828	1.832	0.437	47
470045 ³	S	1.125	1.828	1.832	0.437	47
470049 ³	S	1.250	1.983	1.987	0.437	47
470050³	S	1.281	1.983	1.987	0.437	47
470055N ³	N	1.375	2.374	2.378	0.500	47
• 470055	S	1.375	2.374	2.378	0.500	47
• 470059N	N	1.500	2.374	2.378	0.500	47
470059 ³	S	1.500	2.374	2.378	0.500	47
• 470061	S	1.375	2.437	2.441	0.468	47
470062 ³	S	1.437	2.437	2.441	0.468	47
470064 ³	S	1.562	2.437	2.441	0.468	47
470066 ³	S	1.625	2.437	2.441	0.468	47
• 470069	S	1.625	2.623	2.627	0.500	47
• 470071	S	1.875	2.623	2.627	0.500	47
470074 ³	S	1.687	2.686	2.690	0.500	47
470077 ³	S	1.500	2.758	2.762	0.500	47
• 470085	S	2.000	2.996	3.001	0.500	47
• 470085N	N	2.000	2.996	3.001	0.500	47
470086³	S	1.687	3.062	3.066	0.500	47
470088³	S	1.750	3.189	3.194	0.437	47
• 470095	S	2.000	3.189	3.194	0.437	47
• 470098	S	2.187	3.350	3.355	0.468	47
• 470101	S	2.375	3.350	3.355	0.468	47
• 470101N	N	2.375	3.350	3.355	0.468	47
• 470102N	N	2.000	3.371	3.376	0.468	47
• 470109	S	1.562	2.750	2.754	0.500	47
• 470115	S	2.125	2.996	3.001	0.500	47
470119 ³	S	0.500	0.999	1.003	0.375	47
470120 ³	S	1.000	1.499	1.503	0.390	47
• 470120N	N	1.000	1.499	1.503	0.390	47

NUMERIC SECTION

³Redicoat®; • Non Stock Item - Special Order

Numerical List Size & Type

RADIAL SHAFT SEALS

NUMERIC SECTION

Part No.	Lip Mat'l	Shaft Size	Hsg Bore	Seal O.D.	Seal Width	Type/Illus.	Part No.	Lip Mat'l	Shaft Size	Hsg Bore	Seal O.D.	Seal Width	Type/Illus.
470000 SERIES (cont.)							470000 SERIES (cont.)						
• 470121	S	2.125	3.189	3.194	0.437	47	• 470317	S	2.312	3.251	3.256	0.500	47
• 470132	S	2.250	3.371	3.376	0.468	47	• 470320	S	2.375	3.189	3.194	0.437	47
• 470135N	N	1.375	2.125	2.129	0.437	47	• 470322	S	2.437	3.251	3.256	0.500	47
470135 ³	S	1.375	2.125	2.129	0.437	47	470328 ³	S	1.187	1.686	1.690	0.375	47
470138V ^{2,3}	V	1.937	2.686	2.690	0.500	47	• 470330	S	2.500	3.371	3.376	0.468	47
• 470139	S	2.187	2.996	3.001	0.500	47	• 470330N	N	2.500	3.371	3.376	0.468	47
• 470140	S	1.250	1.752	1.756	0.437	47	470331N	N	1.843	2.750	2.754	0.500	47
470140N ³	N	1.250	1.752	1.756	0.437	47	470334³	S	1.750	2.686	2.690	0.375	47
470141 ³	S	0.750	1.250	1.254	0.375	47	470336 ³	S	1.187	2.250	2.254	0.500	47
• 470157	S	1.000	2.000	2.004	0.437	47	470347 ³	S	1.187	2.437	2.441	0.468	47
• 470162N	N	1.187	2.000	2.004	0.437	47	• 470350	S	2.375	3.371	3.376	0.468	47
470162 ³	S	1.187	2.000	2.004	0.437	47	470351³	S	1.750	2.437	2.441	0.468	47
470163 ³	S	1.250	2.000	2.004	0.437	47	• 470352	S	1.750	2.502	2.506	0.500	47
470163V ³	V	1.250	2.000	2.004	0.437	47	470354³	S	2.187	3.189	3.194	0.437	47
• 470163N	N	1.250	2.000	2.004	0.437	47	470358 ³	S	1.625	2.374	2.378	0.500	47
470165 ³	S	1.250	2.250	2.254	0.500	47	• 470360	S	2.000	2.686	2.690	0.500	47
470169 ³	S	1.375	2.250	2.254	0.500	47	470361 ³	S	1.750	2.561	2.565	0.500	47
• 470171	S	1.437	2.250	2.254	0.500	47	470361V ³	V	1.750	2.561	2.565	0.500	47
• 470171N	N	1.437	2.250	2.254	0.500	47	470362 ³	S	1.156	2.125	2.129	0.437	47
• 470183	S	1.750	2.750	2.754	0.500	47	• 470368V	V	1.250	2.125	2.129	0.268	47
• 470189N	N	1.125	1.752	1.756	0.437	47	470380³	S	1.500	2.375	2.378	0.312	47
470189 ³	S	1.125	1.752	1.756	0.437	47	470380V ³	V	1.500	2.375	2.378	0.312	47
• 470194	S	1.625	2.502	2.506	0.500	47	• 470389	S	2.000	2.750	2.754	0.500	47
470195 ³	S	0.312	0.999	1.003	0.375	47	• 470389N	N	2.000	2.750	2.754	0.500	47
470199 ³	S	0.437	0.999	1.003	0.375	47	• 470390N	N	0.750	1.874	1.878	0.250	47
• 470199N	N	0.437	0.999	1.003	0.375	47	470390³	S	0.750	1.874	1.878	0.250	47
• 470199V	V	0.437	0.999	1.003	0.375	47	470394 ³	S	1.500	2.125	2.129	0.437	47
• 470202	S	0.562	0.999	1.003	0.375	47	470394N ³	N	1.500	2.125	2.129	0.437	47
470207 ³	S	0.906	1.499	1.503	0.390	47	470398 ³	S	0.875	1.374	1.378	0.406	47
470211 ³	S	0.750	1.624	1.628	0.437	47	470403 ³	S	1.375	2.062	2.066	0.437	47
470219 ³	S	1.000	1.624	1.628	0.437	47	470409 ³	S	1.937	2.412	2.416	0.468	47
• 470219N	N	1.000	1.624	1.628	0.437	47	• 470410	S	2.000	2.623	2.627	0.500	47
470230 ³	S	1.000	1.752	1.756	0.437	47	• 470418	S	1.562	2.875	2.879	0.468	47
470236 ³	S	1.125	1.874	1.878	0.437	47	• 470433	S	2.250	3.125	3.130	0.500	47
470241 ³	S	1.125	2.062	2.066	0.437	47	• 470441	S	2.250	2.996	3.001	0.500	47
• 470241V	V	1.125	2.062	2.066	0.437	47	• 470441V	V	2.250	2.996	3.001	0.500	47
470244 ³	S	1.250	2.062	2.066	0.437	47	• 470442V	V	1.181	2.835	2.840	0.374	47
470245 ³	S	1.250	2.125	2.129	0.437	47	470451 ³	S	1.500	2.062	2.066	0.437	47
• 470267	S	1.812	2.623	2.627	0.500	47	• 470453	S	1.437	2.125	2.129	0.437	47
• 470267V	V	1.812	2.623	2.627	0.500	47	• 470453N	N	1.437	2.125	2.129	0.437	47
• 470283	S	1.875	2.758	2.762	0.500	47	• 470455	S	1.937	2.623	2.627	0.500	47
• 470283N	N	1.875	2.758	2.762	0.500	47	470460³	S	1.687	2.561	2.565	0.500	47
• 470300	S	1.937	3.000	3.005	0.500	47	470487 ³	S	1.500	2.686	2.690	0.500	47
• 470301	S	2.000	3.000	3.005	0.500	47	470487N³	N	1.500	2.686	2.690	0.500	47
• 470303	S	2.125	3.000	3.005	0.500	47	• 470489	S	2.187	2.875	2.879	0.468	47
• 470303N	N	2.125	3.000	3.005	0.500	47	• 470494	S	1.750	2.502	2.506	0.375	47
• 470308	S	2.125	3.061	3.066	0.500	47	• 470494N	N	1.750	2.502	2.506	0.375	47
470308N ³	N	2.125	3.061	3.066	0.500	47	• 470496	S	2.500	3.350	3.355	0.468	47
• 470309	S	1.937	3.125	3.130	0.500	47	470503 ³	S	1.312	2.437	2.441	0.468	47
• 470310	S	2.000	3.125	3.130	0.500	47	470506 ³	S	0.718	1.250	1.254	0.375	47
• 470312	S	2.125	3.125	3.130	0.500	47	470515 ³	S	0.812	1.561	1.565	0.375	47
• 470312N	N	2.125	3.125	3.130	0.500	47	• 470519	S	2.500	3.251	3.256	0.500	47
• 470314	S	2.125	3.251	3.256	0.500	47	• 470519N	S	2.500	3.251	3.256	0.500	47
• 470314N	N	2.125	3.251	3.256	0.500	47	• 470520	S	2.250	3.000	3.005	0.500	47
• 470315	S	2.187	3.251	3.256	0.500	47	• 470520N	N	2.250	3.000	3.005	0.500	47
• 470316	S	2.250	3.251	3.256	0.500	47	470530³	S	2.000	2.996	3.001	0.375	47

Numerical List Size & Type

RADIAL SHAFT SEALS



Part No.	Lip Mat'l	Shaft Size	Hsg Bore	Seal O.D.	Seal Width	Type/ Illus.	Part No.	Lip Mat'l	Shaft Size	Hsg Bore	Seal O.D.	Seal Width	Type/ Illus.
470000 SERIES (cont.)							470000 SERIES (cont.)						
470530V ³	V	2.000	2.996	3.001	0.375	47	• 470903	S	1.562	2.502	2.506	0.375	47
470543 ³	S	2.000	2.717	2.720	0.468	47	470946 ³	S	1.187	2.686	2.690	0.500	47
470547 ³	S	2.882	3.431	3.436	0.291	47	470950 ³	S	1.375	2.437	2.441	0.375	47
470548 ³	S	1.500	2.250	2.254	0.375	47	470954³	S	0.750	1.250	1.254	0.250	47
• 470552	S	2.375	3.125	3.130	0.500	47	470954V ³	V	0.750	1.250	1.254	0.250	47
• 470552N	N	2.375	3.125	3.130	0.500	47	• 470954N	N	0.750	1.250	1.254	0.250	47
• 470553N	N	1.000	1.499	1.503	0.312	47	• 470961	S	2.562	3.371	3.376	0.468	47
470553 ³	S	1.000	1.499	1.503	0.312	47	• 470972	S	2.125	3.371	3.376	0.468	47
470557 ³	S	0.625	1.377	1.381	0.406	47	• 470975	S	0.625	1.499	1.503	0.390	47
470565³	S	2.375	3.125	3.130	0.375	47	470987	S	2.375	3.481	3.486	0.437	47
• 470565V	V	2.375	3.125	3.130	0.375	47	• 470988	S	2.375	3.061	3.066	0.500	47
• 470567V	V	0.875	1.375	1.379	0.312	47	• 470988N	N	2.375	3.061	3.066	0.500	47
470567 ³	S	0.875	1.375	1.379	0.312	47	470989 ³	S	1.375	3.000	3.005	0.500	47
470567N ³	N	0.875	1.375	1.379	0.312	47	471015 ³	S	0.937	1.375	1.379	0.312	47
470574N ³	N	2.375	3.251	3.256	0.500	47	471076 ³	S	1.031	1.575	1.579	0.312	47
470590³	S	0.875	1.752	1.756	0.250	47	• 471091	S	2.000	3.062	3.066	0.500	47
470596³	S	1.687	2.835	2.839	0.468	47	• 471091N	N	2.000	3.062	3.066	0.500	47
470596V ³	V	1.687	2.835	2.839	0.468	47	471103 ³	S	0.375	0.999	1.004	0.250	47
470601³	S	0.781	1.250	1.254	0.250	47	471105³	S	1.375	2.875	2.879	0.468	47
470605³	S	2.500	3.371	3.376	0.375	47	• 471122	S	1.750	2.437	2.441	0.375	47
470606 ³	S	1.062	1.686	1.690	0.375	47	• 471131	S	1.375	2.374	2.378	0.375	47
470625³	S	1.500	2.250	2.254	0.312	47	• 471131N	N	1.375	2.374	2.378	0.375	47
470625V ³	V	1.500	2.250	2.254	0.312	47	• 471133	S	1.125	1.752	1.756	0.375	47
• 470625N	N	1.500	2.250	2.254	0.312	47	471137³	S	0.875	1.828	1.832	0.375	47
• 470642	S	1.125	2.000	2.004	0.500	47	471138³	S	2.250	3.125	3.130	0.375	47
470645 ³	S	0.875	2.000	2.004	0.437	47	• 471139	S	1.875	3.000	3.005	0.375	47
• 470650	S	0.562	1.000	1.004	0.312	47	471141³	S	1.750	2.875	2.879	0.375	47
470672 ³	S	1.399	2.250	2.254	0.250	47	471141V ³	V	1.750	2.875	2.879	0.375	47
470680 ³	S	0.875	1.499	1.503	0.312	47	• 471150	S	1.625	2.374	2.378	0.375	47
• 470681	S	2.187	3.125	3.130	0.500	47	471169 ³	S	1.750	2.411	2.415	0.380	47
470682³	S	1.562	2.623	2.627	0.312	47	471169N ³	N	1.750	2.411	2.415	0.380	47
• 470684	S	1.562	2.441	2.445	0.500	47	• 471171	S	0.984	1.500	1.504	0.312	47
• 470687N	N	1.687	3.125	3.130	0.500	47	• 471192N	N	1.375	2.125	2.129	0.312	47
470687³	S	1.687	3.125	3.130	0.500	47	471192³	S	1.375	2.125	2.129	0.312	47
• 470706	S	1.250	1.979	1.983	0.375	47	471192V ³	V	1.375	2.125	2.129	0.312	47
• 470712N	N	1.125	1.874	1.878	0.250	47	471193 ³	S	1.301	2.000	2.004	0.437	47
470712³	S	1.125	1.874	1.878	0.250	47	471193N ³	N	1.301	2.000	2.004	0.437	47
470712V³	V	1.125	1.874	1.878	0.250	47	471195³	S	1.937	2.502	2.506	0.375	47
470737 ³	S	2.250	3.189	3.194	0.437	47	• 471211	S	0.493	1.000	1.004	0.250	47
470737N ³	N	2.250	3.189	3.194	0.437	47	• 471224N	N	1.000	1.499	1.503	0.250	47
470764 ³	S	2.375	2.996	3.001	0.500	47	471224³	S	1.000	1.499	1.503	0.250	47
470774³	S	1.375	2.062	2.066	0.375	47	471224V ³	V	1.000	1.499	1.503	0.250	47
470774V ³	V	1.375	2.062	2.066	0.375	47	471231³	S	0.812	1.375	1.379	0.312	47
• 470774N	N	1.375	2.062	2.066	0.375	47	471231V ³	V	0.812	1.375	1.379	0.312	47
• 470791	S	0.625	1.124	1.128	0.312	47	• 471246	S	1.250	1.874	1.878	0.437	47
• 470791N	N	0.625	1.124	1.128	0.312	47	471255³	S	0.625	1.375	1.379	0.250	47
470806³	S	1.250	2.835	2.839	0.468	47	471255V ³	V	0.625	1.375	1.379	0.250	47
470808 ³	S	1.437	2.750	2.754	0.500	47	471264³	S	0.625	1.250	1.254	0.250	47
• 470824	S	1.969	2.756	2.760	0.354	47	471264V ³	V	0.625	1.250	1.254	0.250	47
• 470825	S	2.375	3.623	3.628	0.375	47	471267³	S	0.875	1.375	1.379	0.250	47
• 470867	S	2.125	2.875	2.879	0.437	47	471267V ³	V	0.875	1.375	1.379	0.250	47
• 470867N	N	2.125	2.875	2.879	0.437	47	• 471267H ³	H	0.875	1.375	1.379	0.250	47
470895 ³	S	0.750	1.375	1.379	0.312	47	• 471268V	V	1.375	2.000	2.004	0.375	47
470898³	S	2.125	2.875	2.879	0.375	47	471268N ³	N	1.375	2.000	2.004	0.375	47
470898V ³	V	2.125	2.875	2.879	0.375	47	471270³	S	1.000	1.561	1.565	0.250	47
• 470898N	N	2.125	2.875	2.879	0.375	47	471270V ³	V	1.000	1.561	1.565	0.250	47

NUMERIC SECTION

³Redicoat®: ; • Non Stock Item - Special Order

Numerical List Size & Type RADIAL SHAFT SEALS

Part No.	Lip Mat'l	Shaft Size	Hsg Bore	Seal O.D.	Seal Width	Type/ Illus.	Part No.	Lip Mat'l	Shaft Size	Hsg Bore	Seal O.D.	Seal Width	Type/ Illus.
470000 SERIES (cont.)							470000 SERIES (cont.)						
471271³	S	2.500	3.251	3.256	0.375	47	• 471529SSR	S	0.687	1.124	1.128	0.250	47
471271V ³	V	2.500	3.251	3.256	0.375	47	471530³	S	0.531	1.124	1.128	0.312	47
471272³	S	2.250	3.000	3.005	0.375	47	471532 ³	S	0.593	1.124	1.128	0.312	47
471272N ³	N	2.250	3.000	3.005	0.375	47	471535³	S	0.562	1.250	1.254	0.250	47
471272V ³	V	2.250	3.000	3.005	0.375	47	471538³	S	0.687	1.250	1.254	0.250	47
471276³	S	1.375	2.441	2.445	0.375	47	471539³	S	0.812	1.250	1.254	0.250	47
471276V ³	V	1.375	2.441	2.445	0.375	47	471549³	S	0.500	1.375	1.379	0.250	47
• 471276N	N	1.375	2.441	2.445	0.375	47	471551³	S	0.562	1.375	1.379	0.250	47
471281³	S	0.562	1.124	1.128	0.250	47	471553³	S	0.687	1.375	1.379	0.250	47
• 471288N	N	1.750	2.374	2.378	0.375	47	471554³	S	0.750	1.375	1.379	0.250	47
• 471289	S	1.625	2.251	2.256	0.375	47	471554V ³	V	0.750	1.375	1.379	0.250	47
• 471294	S	0.500	1.124	1.128	0.312	47	• 471554N	N	0.750	1.375	1.379	0.250	47
• 471297	S	0.687	1.125	1.129	0.312	47	471558³	S	0.593	1.375	1.379	0.312	47
• 471297N	N	0.687	1.125	1.129	0.312	47	471564³	S	0.625	1.499	1.503	0.250	47
• 471315	S	0.562	0.999	1.003	0.250	47	471567³	S	0.750	1.499	1.503	0.250	47
471316³	S	1.562	2.686	2.690	0.375	47	471570³	S	0.875	1.499	1.503	0.250	47
• 471324	S	0.625	1.375	1.379	0.312	47	471570V ³	V	0.875	1.499	1.503	0.250	47
471337 ³	S	0.781	1.752	1.756	0.312	47	471571³	S	0.937	1.499	1.503	0.250	47
• 471338	S	2.187	3.000	3.005	0.500	47	471571V ³	V	0.937	1.499	1.503	0.250	47
471341³	S	2.250	2.996	3.001	0.437	47	• 471577	S	0.625	1.499	1.503	0.312	47
471341N ³	N	2.250	2.996	3.001	0.437	47	471579³	S	0.687	1.499	1.503	0.312	47
471344³	S	1.500	2.441	2.445	0.375	47	471612³	S	0.625	1.575	1.579	0.312	47
471354³	S	1.187	2.062	2.066	0.250	47	471619³	S	1.000	2.062	2.066	0.250	47
• 471376	S	2.250	3.500	3.505	0.375	47	471633³	S	0.875	1.577	1.581	0.250	47
471379 ³	S	1.375	3.150	3.154	0.375	47	• 471633N	N	0.875	1.577	1.581	0.250	47
471391³	S	1.937	3.125	3.130	0.375	47	471642 ³	S	0.687	1.624	1.628	0.250	47
• 471394	S	2.312	3.251	3.256	0.375	47	471643³	S	0.750	1.624	1.628	0.250	47
471405 ³	S	1.437	3.000	3.005	0.500	47	471645³	S	0.812	1.624	1.628	0.250	47
471407³	S	1.250	2.441	2.445	0.375	47	471645V ³	V	0.812	1.624	1.628	0.250	47
471413³	S	1.250	1.752	1.756	0.250	47	471646³	S	0.875	1.624	1.628	0.250	47
471413V ³	V	1.250	1.752	1.756	0.250	47	471647³	S	0.937	1.624	1.628	0.250	47
• 471413N	N	1.250	1.752	1.756	0.250	47	471648³	S	0.968	1.624	1.628	0.250	47
471419 ³	S	1.625	2.437	2.441	0.375	47	471649³	S	1.000	1.624	1.628	0.250	47
471424³	S	2.000	2.623	2.627	0.312	47	471649V³	V	1.000	1.624	1.628	0.250	47
471424V ³	V	2.000	2.623	2.627	0.312	47	471651³	S	1.062	1.624	1.628	0.250	47
471442³	S	0.500	0.999	1.003	0.250	47	471652³	S	1.125	1.624	1.628	0.250	47
471442V ³	V	0.500	0.999	1.003	0.250	47	471652V³	V	1.125	1.624	1.628	0.250	47
• 471442N	N	0.500	0.999	1.003	0.250	47	• 471652N	N	1.125	1.624	1.628	0.250	47
• 471443N	N	0.781	1.375	1.379	0.250	47	471653³	S	0.625	1.624	1.628	0.312	47
471443 ³	S	0.781	1.375	1.379	0.250	47	471684³	S	0.750	1.752	1.756	0.250	47
471465 ³	S	1.000	1.689	1.693	0.250	47	471686³	S	0.812	1.752	1.756	0.250	47
471466³	S	0.625	1.124	1.128	0.250	47	471688³	S	0.968	1.752	1.756	0.250	47
471466V ³	V	0.625	1.124	1.128	0.250	47	471689³	S	1.000	1.752	1.756	0.250	47
• 471466N	N	0.625	1.124	1.128	0.250	47	471689V ³	V	1.000	1.752	1.756	0.250	47
471472³	S	0.500	1.250	1.254	0.250	47	471692³	S	1.125	1.752	1.756	0.250	47
• 471475	S	2.625	3.543	3.548	0.500	47	471692V ³	V	1.125	1.752	1.756	0.250	47
471498³	S	0.750	1.575	1.579	0.312	47	• 471692N	N	1.125	1.752	1.756	0.250	47
471504³	S	1.750	2.437	2.441	0.312	47	• 471695	S	0.625	1.752	1.756	0.312	47
• 471507	S	1.500	2.252	2.256	0.375	47	• 471698V	V	0.750	1.752	1.756	0.312	47
• 471507N	N	1.500	2.252	2.256	0.375	47	471698 ³	S	0.750	1.752	1.756	0.312	47
• 471509	S	2.500	3.250	3.256	0.437	47	• 471703	S	1.000	1.752	1.756	0.312	47
• 471509V	V	2.500	3.250	3.256	0.437	47	471705³	S	1.062	1.752	1.756	0.312	47
471516 ³	S	1.000	2.441	2.445	0.375	47	• 471706	S	1.125	1.752	1.756	0.312	47
471526³	S	0.500	1.124	1.128	0.250	47	• 471706N	N	1.125	1.752	1.756	0.312	47
471526V ³	V	0.500	1.124	1.128	0.250	47	471707 ³	S	1.156	1.752	1.756	0.312	47
471529³	S	0.687	1.124	1.128	0.250	47	471707N ³	N	1.156	1.752	1.756	0.312	47

NUMERIC SECTION

Numerical List Size & Type

RADIAL SHAFT SEALS

TIMKEN®

Part No.	Lip Mat'l	Shaft Size	Hsg Bore	Seal O.D.	Seal Width	Type/ Illus.	Part No.	Lip Mat'l	Shaft Size	Hsg Bore	Seal O.D.	Seal Width	Type/ Illus.
470000 SERIES (cont.)							470000 SERIES (cont.)						
• 471709N	N	1.250	1.752	1.756	0.312	47	471887³	S	2.437	3.125	3.130	0.375	47
• 471709V	V	1.250	1.752	1.756	0.312	47	• 471887N	N	2.437	3.125	3.130	0.375	47
471729³	S	0.812	1.874	1.878	0.250	47	471904³	S	1.312	2.835	2.839	0.468	47
471730³	S	0.875	1.874	1.878	0.250	47	471915 ³	S	1.500	2.835	2.839	0.468	47
471733³	S	1.000	1.874	1.878	0.250	47	• 471940	S	1.937	2.875	2.879	0.437	47
• 471733N	N	1.000	1.874	1.878	0.250	47	• 471944	S	2.000	2.875	2.879	0.437	47
471735³	S	1.062	1.874	1.878	0.250	47	• 471950N	N	2.125	2.758	2.762	0.437	47
471736³	S	1.156	1.874	1.878	0.250	47	471950 ³	S	2.125	2.758	2.762	0.437	47
471737³	S	1.250	1.874	1.878	0.250	47	471952³	S	2.187	2.835	2.839	0.468	47
471737V ³	V	1.250	1.874	1.878	0.250	47	• 471953	S	2.187	2.875	2.879	0.437	47
471744 ³	S	1.000	1.983	1.987	0.250	47	471958³	S	1.500	3.000	3.005	0.375	47
471747³	S	1.125	1.983	1.987	0.250	47	471981³	S	1.687	3.000	3.005	0.375	47
471750³	S	1.250	1.983	1.987	0.250	47	471984³	S	1.750	3.000	3.005	0.375	47
471750V ³	V	1.250	1.983	1.987	0.250	47	• 471984N	N	1.750	3.000	3.005	0.375	47
471760³	S	1.000	2.000	2.004	0.250	47	• 472005	S	1.875	3.125	3.130	0.375	47
471760V ³	V	1.000	2.000	2.004	0.250	47	• 472009	S	2.000	3.000	3.005	0.375	47
471762³	S	1.062	2.000	2.004	0.250	47	• 472009N	N	2.000	3.000	3.005	0.375	47
471763³	S	1.125	2.000	2.004	0.250	47	• 472010	S	2.000	3.125	3.130	0.375	47
471763V³	V	1.125	2.000	2.004	0.250	47	472012³	S	2.062	3.000	3.005	0.375	47
471764³	S	1.156	2.000	2.004	0.250	47	472015³	S	2.125	3.000	3.005	0.375	47
471765³	S	1.187	2.000	2.004	0.250	47	• 472015N	N	2.125	3.000	3.005	0.375	47
• 471765N	N	1.187	2.000	2.004	0.250	47	472016³	S	2.125	3.125	3.130	0.375	47
471766³	S	1.250	2.000	2.004	0.250	47	• 472017	S	2.187	2.996	3.001	0.437	47
471766V ³	V	1.250	2.000	2.004	0.250	47	• 472018N	N	2.187	3.000	3.005	0.375	47
471785³	S	1.125	2.062	2.066	0.250	47	• 472018V	V	2.187	3.000	3.005	0.375	47
• 471785V	V	1.125	2.062	2.066	0.250	47	472018³	S	2.187	3.000	3.005	0.375	47
471787³	S	1.250	2.062	2.066	0.250	47	• 472019	S	2.187	3.062	3.066	0.500	47
471787V ³	V	1.250	2.062	2.066	0.250	47	472020³	S	2.187	3.125	3.130	0.375	47
471795³	S	1.250	2.125	2.129	0.250	47	472029³	S	2.500	3.189	3.194	0.375	47
471795N	N	1.250	2.125	2.129	0.250	47	• 472035	S	2.187	3.371	3.376	0.468	47
471795V ³	V	1.250	2.125	2.129	0.250	47	• 472041N	N	1.875	2.502	2.506	0.375	47
471801³	S	1.250	2.252	2.256	0.375	47	472041 ³	S	1.875	2.502	2.506	0.375	47
471808³	S	1.250	2.374	2.378	0.375	47	• 472065	S	0.864	1.375	1.379	0.250	47
471818³	S	1.250	2.437	2.441	0.375	47	• 472065N	N	0.864	1.375	1.379	0.250	47
471820³	S	1.500	2.437	2.441	0.375	47	472070³	S	1.812	2.623	2.627	0.375	47
471821³	S	1.562	2.437	2.441	0.375	47	472082	S	2.000	2.880	2.884	0.375	47
471827³	S	1.562	2.441	2.445	0.375	47	• 472082N	N	2.000	2.880	2.884	0.375	47
471829 ³	S	1.625	2.441	2.445	0.375	47	• 472129	S	0.750	1.263	1.267	0.250	47
471831 ³	S	1.750	2.441	2.445	0.375	47	• 472137	S	0.625	2.047	2.051	0.312	47
• 471831N	N	1.750	2.441	2.445	0.375	47	• 472138N	N	1.000	2.047	2.051	0.312	47
• 471831V	V	1.750	2.441	2.445	0.375	47	472138 ³	S	1.000	2.047	2.051	0.312	47
471833³	S	1.250	2.502	2.506	0.375	47	472144³	S	1.937	2.875	2.879	0.312	47
471835³	S	1.375	2.502	2.506	0.375	47	472150³	S	2.312	3.125	3.130	0.375	47
471841 ³	S	1.843	2.502	2.506	0.375	47	• 472150N	N	2.312	3.125	3.130	0.375	47
471845N ³	N	1.250	2.561	2.565	0.500	47	• 472150V	V	2.312	3.125	3.130	0.375	47
471847N ³	N	1.375	2.561	2.565	0.500	47	472157³	S	4.250	5.251	5.256	0.375	47
• 471847	S	1.375	2.561	2.565	0.500	47	472164³	S	1.750	2.502	2.506	0.312	47
471854³	S	1.937	2.561	2.565	0.500	47	472164V ³	V	1.750	2.502	2.506	0.312	47
471862³	S	1.437	2.686	2.690	0.375	47	472179³	S	1.750	2.750	2.754	0.312	47
471866³	S	1.812	2.686	2.690	0.375	47	472179V ³	V	1.750	2.750	2.754	0.312	47
• 471866N	N	1.812	2.686	2.690	0.375	47	472185³	S	1.750	2.623	2.627	0.312	47
471868³	S	1.875	2.686	2.690	0.375	47	472185V ³	V	1.750	2.623	2.627	0.312	47
471869 ³	S	1.937	2.686	2.690	0.375	47	472189A ^{1,3}	S	1.500	2.377	2.381	0.500	47
• 471869N	N	1.937	2.686	2.690	0.375	47	472193³	S	1.750	2.561	2.566	0.312	47
471870	S	2.000	2.686	2.690	0.375	47	• 472207	S	0.625	1.624	1.628	0.489	47
471883 ³	S	2.000	2.686	2.690	0.437	47	472213³	S	1.562	2.250	2.254	0.312	47

NUMERIC SECTION

¹Counter-Clockwise-Spiral Lip Design; ³Redicoat®; ; • Non Stock Item - Special Order

Numerical List Size & Type

RADIAL SHAFT SEALS

NUMERIC SECTION

Part No.	Lip Mat'l	Shaft Size	Hsg Bore	Seal O.D.	Seal Width	Type/Illus.	Part No.	Lip Mat'l	Shaft Size	Hsg Bore	Seal O.D.	Seal Width	Type/Illus.
470000 SERIES (cont.)							470000 SERIES (cont.)						
472222 ³	S	1.531	2.374	2.379	0.375	47	472644V ³	V	1.125	2.047	2.051	0.312	47
472234³	S	2.187	2.996	3.001	0.375	47	472649 ³	S	0.750	2.047	2.051	0.312	47
472238 ³	S	0.968	2.440	2.445	0.375	47	472651V ³	V	1.250	3.150	3.155	0.375	47
472239 ³	S	1.156	2.834	2.839	0.375	47	• 472651	S	1.250	3.150	3.155	0.375	47
472258³	S	1.375	2.000	2.004	0.312	47	472653³	S	2.000	2.835	2.839	0.375	47
472258V³	V	1.375	2.000	2.004	0.312	47	472655 ³	S	1.437	2.312	2.316	0.375	47
• 472258N	N	1.375	2.000	2.004	0.312	47	472658³	S	1.375	2.835	2.839	0.375	47
472287³	S	1.375	2.106	2.110	0.312	47	• 472658V	V	1.375	2.835	2.839	0.375	47
472299³	S	1.562	2.374	2.378	0.312	47	472660 ³	S	1.656	2.937	2.941	0.375	47
472299V ³	V	1.562	2.374	2.378	0.312	47	472674 ³	S	1.125	1.983	1.987	0.375	47
472311 ³	S	1.000	1.437	1.441	0.250	47	472681 ³	S	1.125	2.441	2.445	0.375	47
472311V ³	V	1.000	1.437	1.441	0.250	47	472681V ³	V	1.125	2.441	2.445	0.375	47
472319³	S	1.937	2.623	2.627	0.312	47	472705³	S	0.562	1.000	1.004	0.250	47
• 472319V	V	1.937	2.623	2.627	0.312	47	472705V ³	V	0.562	1.000	1.004	0.250	47
472324³	S	0.984	1.499	1.503	0.250	47	472747 ³	S	1.875	2.470	2.475	0.437	47
472324V ³	V	0.984	1.499	1.503	0.250	47	• 472758	S	1.625	2.502	2.506	0.250	47
• 472331	S	2.000	2.623	2.627	0.375	47	472810³	S	0.437	0.875	0.880	0.250	47
• 472341N	N	2.000	2.742	2.746	0.375	47	472826³	S	1.312	2.062	2.066	0.312	47
472341 ³	S	2.000	2.742	2.746	0.375	47	472843³	S	1.375	2.623	2.627	0.375	47
472350³	S	1.187	2.165	2.169	0.250	47	472856 ³	S	2.375	3.350	3.355	0.438	47
472354 ³	S	1.375	1.874	1.878	0.250	47	472878 ³	S	0.735	1.248	1.252	0.250	47
472354V ³	V	1.375	1.874	1.878	0.250	47	• 472916	S	2.250	3.189	3.194	0.375	47
472394³	S	1.937	3.000	3.005	0.312	47	472920 ³	S	2.250	3.371	3.376	0.375	47
472397³	S	2.000	3.000	3.005	0.312	47	472924³	S	2.000	2.875	2.879	0.312	47
472397V ³	V	2.000	3.000	3.005	0.312	47	472924V ³	V	2.000	2.875	2.879	0.312	47
472409³	S	2.125	3.189	3.194	0.375	47	• 472928	S	2.062	3.189	3.194	0.375	47
• 472409N	N	2.125	3.189	3.194	0.375	47	• 472940	S	2.187	3.189	3.194	0.375	47
• 472409V	V	2.125	3.189	3.194	0.375	47	472950 ³	S	0.812	2.441	2.445	0.375	47
472419 ³	S	1.625	2.116	2.120	0.312	47	472951 ³	S	0.937	1.750	1.754	0.312	47
472432 ³	S	1.187	2.441	2.445	0.375	47	472953 ³	S	1.062	2.835	2.839	0.375	47
472439³	S	1.875	2.623	2.627	0.312	47	472953V ³	V	1.062	2.835	2.839	0.375	47
472439V ³	V	1.875	2.623	2.627	0.312	47	472954 ³	S	1.125	2.835	2.839	0.375	47
472446 ³	S	1.500	3.150	3.155	0.500	47	472954V ³	V	1.125	2.835	2.839	0.375	47
472452 ³	S	0.843	1.374	1.378	0.312	47	473010³	S	1.625	2.502	2.506	0.312	47
472466 ³	S	1.500	2.048	2.052	0.375	47	473010N	N	1.625	2.502	2.506	0.312	47
472467 ³	S	0.500	1.378	1.382	0.406	47	473010V ³	V	1.625	2.502	2.506	0.312	47
472473 ³	S	3.375	4.376	4.381	0.375	47	473016³	S	1.437	2.250	2.254	0.312	47
472475³	S	1.187	1.874	1.878	0.250	47	• 473016N	N	1.437	2.250	2.254	0.312	47
472492³	S	2.000	2.750	2.754	0.312	47	473096 ³	S	0.375	0.875	0.880	0.250	47
472492V ³	V	2.000	2.750	2.754	0.312	47	473117 ³	S	1.625	2.328	2.332	0.437	47
• 472492N	N	2.000	2.750	2.754	0.312	47	• 473117N	N	1.625	2.328	2.332	0.437	47
472535 ³	S	1.125	2.533	2.537	0.250	47	473135V ³	V	1.250	1.686	1.691	0.250	47
472536 ³	S	1.250	2.877	2.881	0.250	47	473157 ³	S	1.750	2.449	2.453	0.312	47
472538 ³	S	0.750	2.127	2.131	0.250	47	473179³	S	1.875	2.758	2.762	0.375	47
472539 ³	S	1.000	2.533	2.537	0.250	47	473196 ³	S	0.750	1.783	1.787	0.250	47
472554 ³	S	1.500	1.983	1.987	0.437	47	473197³	S	1.375	2.835	2.839	0.312	47
472560N ³	N	1.125	1.561	1.565	0.250	47	• 473197V	V	1.375	2.835	2.839	0.312	47
472572³	S	1.875	2.750	2.754	0.312	47	473203³	S	1.187	1.752	1.756	0.250	47
• 472579	S	2.062	2.875	2.879	0.375	47	473204³	S	2.125	2.750	2.754	0.375	47
• 472635N	N	1.552	2.502	2.506	0.500	47	• 473204N	N	2.125	2.750	2.754	0.375	47
472635 ³	S	1.552	2.502	2.506	0.500	47	473205³	S	1.187	2.125	2.129	0.250	47
472636³	S	2.250	3.251	3.256	0.375	47	473210³	S	1.312	2.000	2.004	0.312	47
• 472636V	V	2.250	3.251	3.256	0.375	47	• 473210V	V	1.312	2.000	2.004	0.312	47
472642 ³	S	1.375	2.047	2.051	0.312	47	473211³	S	1.312	2.125	2.129	0.312	47
472642V ³	V	1.375	2.047	2.051	0.312	47	473212³	S	1.312	2.250	2.254	0.312	47
472644 ³	S	1.125	2.047	2.051	0.312	47	473213³	S	1.312	2.374	2.378	0.312	47

Numerical List Size & Type

RADIAL SHAFT SEALS



Part No.	Lip Mat'l	Shaft Size	Hsg Bore	Seal O.D.	Seal Width	Type/ Illus.	Part No.	Lip Mat'l	Shaft Size	Hsg Bore	Seal O.D.	Seal Width	Type/ Illus.
470000 SERIES (cont.)							470000 SERIES (cont.)						
473214 ³	S	1.375	2.250	2.254	0.312	47	473414 ³	S	0.843	1.624	1.628	0.250	47
473214V ³	V	1.375	2.250	2.254	0.312	47	473415 ³	S	0.843	1.828	1.832	0.312	47
473215 ³	S	1.375	2.374	2.378	0.312	47	473416 ³	S	0.737	1.375	1.379	0.343	47
473224 ³	S	1.437	2.125	2.129	0.312	47	473419 ³	S	1.062	1.828	1.832	0.375	47
473225 ³	S	1.437	2.374	2.378	0.312	47	473420 ³	S	1.062	2.062	2.066	0.375	47
473226 ³	S	1.437	2.502	2.506	0.312	47	473421 ³	S	1.312	2.106	2.110	0.375	47
473227 ³	S	1.500	2.125	2.129	0.312	47	473422 ³	S	1.312	1.983	1.987	0.375	47
473227V ³	V	1.500	2.125	2.129	0.312	47	473423 ³	S	1.312	1.874	1.878	0.375	47
• 473227N	N	1.500	2.125	2.129	0.312	47	473424 ³	S	1.281	2.000	2.004	0.375	47
• 473228N	N	1.500	2.502	2.506	0.312	47	473425 ³	S	1.187	1.828	1.832	0.375	47
473228 ³	S	1.500	2.502	2.506	0.312	47	473426 ³	S	1.187	1.983	1.987	0.375	47
473228V ³	V	1.500	2.502	2.506	0.312	47	473427 ³	S	1.156	2.062	2.066	0.375	47
473229 ³	S	1.562	2.502	2.506	0.312	47	473428 ³	S	1.156	1.984	1.988	0.250	47
473230 ³	S	1.625	2.250	2.254	0.312	47	• 473428V	V	1.156	1.984	1.988	0.250	47
473231 ³	S	1.625	2.374	2.378	0.312	47	473435 ³	S	1.343	2.106	2.110	0.375	47
473231V ³	V	1.625	2.374	2.378	0.312	47	473436 ³	S	1.343	2.125	2.129	0.375	47
473232 ³	S	1.625	2.623	2.627	0.312	47	473437 ³	S	1.437	2.623	2.627	0.375	47
473233 ³	S	1.687	2.374	2.378	0.312	47	473438 ³	S	1.468	2.375	2.379	0.375	47
473234 ³	S	1.687	2.502	2.506	0.312	47	473439 ³	S	1.468	2.437	2.441	0.375	47
473235 ³	S	1.687	2.623	2.627	0.312	47	473440 ³	S	1.500	2.750	2.754	0.312	47
473236 ³	S	1.687	2.750	2.754	0.312	47	473441 ³	S	1.562	2.750	2.754	0.375	47
473237 ³	S	1.750	2.374	2.378	0.312	47	473442 ³	S	1.562	2.875	2.879	0.375	47
473237V ³	V	1.750	2.374	2.378	0.312	47	473443 ³	S	1.625	2.750	2.754	0.375	47
473238 ³	S	1.875	2.875	2.879	0.312	47	473444 ³	S	1.625	2.875	2.879	0.375	47
473238V ³	V	1.875	2.875	2.879	0.312	47	473444V ³	V	1.625	2.875	2.879	0.375	47
473239 ³	S	1.875	3.000	3.005	0.312	47	473445 ³	S	1.687	2.437	2.441	0.312	47
473240 ³	S	1.875	3.125	3.130	0.312	47	• 473445V	V	1.687	2.437	2.441	0.312	47
473241 ³	S	1.937	2.750	2.754	0.312	47	473446 ³	S	1.687	2.875	2.879	0.375	47
473242 ³	S	2.000	3.125	3.130	0.312	47	473447 ³	S	1.750	2.758	2.762	0.375	47
• 473242V	V	2.000	3.125	3.130	0.312	47	473448 ³	S	1.750	2.996	3.001	0.375	47
473243 ³	S	2.125	3.251	3.256	0.375	47	473449 ³	S	1.812	2.750	2.754	0.375	47
• 473243V	V	2.125	3.251	3.256	0.375	47	473450 ³	S	1.812	2.875	2.879	0.375	47
473244 ³	S	2.187	2.875	2.879	0.375	47	473450V ³	V	1.812	2.875	2.879	0.375	47
473245 ³	S	2.187	3.251	3.256	0.375	47	473451 ³	S	1.843	2.623	2.627	0.375	47
• 473246	S	2.375	3.251	3.256	0.375	47	473452 ³	S	1.843	2.750	2.754	0.375	47
• 473247	S	2.375	3.371	3.376	0.375	47	473453 ³	S	1.843	2.875	2.879	0.375	47
• 473248	S	2.625	3.371	3.376	0.375	47	473454 ³	S	1.875	2.502	2.506	0.312	47
473258 ³	S	1.375	2.561	2.565	0.375	47	473455 ³	S	1.875	2.835	2.839	0.375	47
473259 ³	S	1.125	2.441	2.445	0.250	47	473457 ³	S	1.875	3.061	3.066	0.375	47
• 473259V	V	1.125	2.441	2.445	0.250	47	473458 ³	S	1.875	3.189	3.194	0.375	47
473274 ³	S	2.500	3.428	3.433	0.375	47	473459 ³	S	1.937	2.686	2.690	0.312	47
473274N ³	N	2.500	3.428	3.433	0.375	47	473460 ³	S	1.937	2.996	3.001	0.375	47
• 473285V	V	0.875	1.750	1.754	0.312	47	473461 ³	S	1.937	3.061	3.066	0.375	47
• 473304	S	1.375	2.082	2.087	0.312	47	473462 ³	S	1.937	3.189	3.194	0.375	47
473313 ³	S	1.750	3.061	3.066	0.375	47	473463 ³	S	2.000	3.062	3.066	0.375	47
473317 ³	S	1.687	2.328	2.332	0.312	47	473464 ³	S	2.000	3.189	3.194	0.375	47
• 473317N	N	1.687	2.328	2.332	0.312	47	473466 ³	S	2.062	2.996	3.001	0.375	47
473336 ³	S	1.718	2.561	2.565	0.500	47	473467 ³	S	2.125	2.996	3.001	0.375	47
473367 ³	S	1.625	2.437	2.441	0.312	47	473468 ³	S	2.125	3.061	3.066	0.375	47
473367V ³	V	1.625	2.437	2.441	0.312	47	• 473469	S	2.125	3.350	3.355	0.375	47
473380 ³	S	1.000	1.575	1.579	0.250	47	473471 ³	S	2.187	3.062	3.066	0.375	47
473405 ³	S	0.593	1.250	1.254	0.312	47	473473 ³	S	2.250	3.061	3.066	0.375	47
473406 ³	S	0.750	1.828	1.832	0.375	47	473474 ³	S	2.375	3.061	3.066	0.375	47
473407 ³	S	0.750	1.983	1.987	0.250	47	473475 ³	S	2.375	3.189	3.194	0.375	47
473412 ³	S	0.812	1.828	1.832	0.375	47	473476 ^{2,3}	N	2.500	3.150	3.155	0.315	47
473413 ³	S	0.843	1.499	1.503	0.250	47	473490 ³	S	1.562	3.150	3.155	0.312	47

NUMERIC SECTION

²Clockwise-Spiral Lip Design; ³Redicoat®; • Non Stock Item - Special Order

Numerical List Size & Type

RADIAL SHAFT SEALS

NUMERIC SECTION

Part No.	Lip Mat'l	Shaft Size	Hsg Bore	Seal O.D.	Seal Width	Type/ Illus.	Part No.	Lip Mat'l	Shaft Size	Hsg Bore	Seal O.D.	Seal Width	Type/ Illus.
470000 SERIES (cont.)							470000 SERIES (cont.)						
473517 ³	S	1.562	2.125	2.129	0.375	47	475003N ³	N	2.625	3.623	3.628	0.468	47
473546 ³	S	0.551	1.000	1.004	0.312	47	475004H	H	2.750	3.751	3.756	0.500	47
473551 ³	S	1.250	2.047	2.051	0.375	47	• 475004	S	2.750	3.751	3.756	0.500	47
473560N ^{2,3}	N		56,00	56,16	7,00	47	• 475004N	N	2.750	3.751	3.756	0.500	47
		1.654	2.205	2.211	0.276		• 475006	S	2.875	3.751	3.756	0.500	47
473573 ³	S	2.375	3.000	3.005	0.375	47	• 475006N	N	2.875	3.751	3.756	0.500	47
473677 ³	S		55,00	55,09	8,00	47	• 475007	S	2.625	3.876	3.881	0.468	47
		1.575	2.165	2.169	0.315		• 475009	S	2.750	3.876	3.881	0.468	47
473694 ³	S	1.625	2.000	2.004	0.250	47	475009N ³	N	2.750	3.876	3.881	0.468	47
473796 ³	S	1.750	2.565	2.570	0.312	47	• 475011	S	2.875	4.003	4.008	0.468	47
473812 ³	S	1.312	2.166	2.170	0.375	47	• 475012	S	2.937	4.003	4.008	0.468	47
473814 ³	S	1.968	2.623	2.627	0.312	47	475012N ³	N	2.937	4.003	4.008	0.468	47
473823 ³	S		55,00	55,18	8,00	47	• 475013	S	3.000	4.003	4.008	0.468	47
		1.378	2.165	2.172	0.315		• 475013N	N	3.000	4.003	4.008	0.468	47
• 474069	S	2.125	2.561	2.565	0.492	47	• 475014	S	3.000	4.249	4.254	0.625	47
• 474090	S	1.437	2.061	2.066	0.312	47	• 475016	S	3.125	4.249	4.254	0.625	47
• 474096	S	2.008	2.559	2.563	0.276	47	• 475018	S	3.250	4.249	4.254	0.625	47
• 474097	S	1.417	1.969	1.972	0.276	47	• 475019	S	3.000	4.999	5.004	0.468	47
• 474119	S	1.496	2.283	2.288	0.315	47	• 475021	S	3.125	4.999	5.004	0.468	47
474131 ³	S	0.750	1.302	1.306	0.250	47	• 475023	S	3.250	4.999	5.004	0.468	47
474133 ³	S		74,00	74,12	10,00	47	• 475025	S	3.375	4.999	5.004	0.468	47
		1.575	2.913	2.918	0.394		• 475027	S	3.500	4.999	5.004	0.468	47
474134 ³	S	1.969	2.618	2.623	0.375	47	• 475029	S	3.625	4.999	5.004	0.468	47
• 474135N	N	1.654	2.561	2.565	0.374	47	• 475031	S	3.750	4.999	5.004	0.468	47
• 474137	S	1.693	2.441	2.445	0.374	47	• 475031V	V	3.750	4.999	5.004	0.468	47
• 474198	S	2.375	3.350	3.355	0.703	47	• 475033	S	3.875	4.999	5.004	0.468	47
474216	S	1.625	2.562	2.565	0.375	47	• 475035	S	4.000	4.999	5.004	0.468	47
474230	S		90,00	90,12	8,00	47	• 475036	S	4.000	5.501	5.506	0.562	47
		2.874	3.543	3.548	0.315		• 475040	S	4.250	5.501	5.506	0.562	47
474235 ³	S	0.937	1.850	1.854	0.312	47	• 475041	S	4.000	5.751	5.756	0.562	47
474241V ^{2,3}	V		58,00	58,17	7,00	47	• 475045	S	4.250	5.751	5.756	0.562	47
		1.654	2.283	2.290	0.276		• 475047	S	4.375	5.751	5.756	0.562	47
474250 ³	S	1.000	1.686	1.690	0.250	47	• 475049	S	4.500	5.751	5.756	0.562	47
474252 ³	S	0.937	1.752	1.756	0.250	47	• 475053	S	4.750	5.751	5.756	0.562	47
474253 ³	S	0.812	1.499	1.503	0.250	47	• 475054	S	4.000	6.250	6.256	0.562	47
474254 ³	S	1.187	2.437	2.441	0.250	47	• 475058	S	4.250	6.250	6.256	0.562	47
474255 ³	S	1.187	2.250	2.254	0.250	47	• 475060	S	4.375	6.250	6.256	0.562	47
474256 ³	S	1.187	2.441	2.445	0.250	47	• 475062	S	4.500	6.250	6.256	0.562	47
474260 ³	S	1.156	1.686	1.690	0.250	47	• 475064	S	4.625	6.250	6.256	0.562	47
474261 ³	S	0.687	1.187	1.191	0.187	47	• 475066	S	4.750	6.250	6.256	0.562	47
474264 ³	S	1.437	2.437	2.441	0.312	47	• 475068	S	4.875	6.250	6.256	0.562	47
474265 ³	S	1.687	2.686	2.691	0.312	47	• 475070	S	5.000	6.250	6.256	0.562	47
474269 ³	S	1.937	2.437	2.441	0.250	47	• 475070N	N	5.000	6.250	6.256	0.562	47
474272 ³	S	2.000	2.717	2.721	0.375	47	• 475072	S	6.000	7.501	7.508	0.562	47
474273 ³	S	0.781	1.828	1.833	0.250	47	• 475079	S	2.500	3.751	3.756	0.500	47
474274 ³	S	1.625	2.750	2.754	0.312	47	475080N ³	N	2.125	3.623	3.628	0.468	47
474276 ³	S	1.500	1.983	1.988	0.250	47	• 475082	S	2.500	3.876	3.881	0.468	47
474276V ³	V	1.500	1.983	1.988	0.250	47	• 475085	S	3.312	4.499	4.504	0.468	47
474277 ³	S	0.437	1.124	1.128	0.250	47	• 475086N	N	3.000	4.249	4.254	0.468	47
474278 ³	S	1.250	1.686	1.691	0.250	47	• 475088	S	3.000	4.499	4.504	0.468	47
474281 ³	S	1.500	2.758	2.763	0.312	47	• 475088N	N	3.000	4.499	4.504	0.468	47
474288	S		58,00	58,30	8,00	47	• 475091	S	4.875	5.999	6.007	0.625	47
		1.417	2.283	2.295	0.315		• 475093	S	2.250	3.500	3.505	0.500	47
• 475001N	N	2.500	3.543	3.548	0.500	47	• 475095	S	2.375	3.500	3.505	0.500	47
• 475002	S	2.562	3.623	3.628	0.468	47	475095N ³	N	2.375	3.500	3.505	0.500	47
• 475002N	N	2.562	3.623	3.628	0.468	47	• 475096	S	2.437	3.500	3.505	0.500	47

Numerical List Size & Type

RADIAL SHAFT SEALS

TIMKEN®

Part No.	Lip Mat'l	Shaft Size	Hsg Bore	Seal O.D.	Seal Width	Type/ Illus.	Part No.	Lip Mat'l	Shaft Size	Hsg Bore	Seal O.D.	Seal Width	Type/ Illus.
470000 SERIES (cont.)							470000 SERIES (cont.)						
• 475098	S	2.562	3.500	3.505	0.500	47	• 475328	S	3.250	5.251	5.256	0.468	47
• 475137	S	3.250	4.499	4.504	0.468	47	• 475348N	N	2.937	4.249	4.254	0.625	47
• 475137N	N	3.250	4.499	4.504	0.468	47	• 475350	S	2.187	3.623	3.628	0.468	47
• 475138	S	4.750	5.750	5.756	0.500	47	• 475354	S	3.125	4.003	4.008	0.468	47
• 475139N	N	2.750	4.626	4.631	0.625	47	• 475355	S	2.875	3.876	3.881	0.468	47
• 475144	S	2.875	4.499	4.504	0.468	47	• 475364	S	2.750	3.500	3.505	0.500	47
• 475145	S	3.125	4.499	4.504	0.468	47	• 475368	S	2.625	3.500	3.505	0.500	47
• 475146	S	3.500	4.499	4.504	0.468	47	475368N	N	2.625	3.500	3.505	0.500	47
• 475146N	N	3.500	4.499	4.504	0.468	47	• 475369	S	2.500	3.623	3.628	0.468	47
• 475147	S	2.500	3.500	3.505	0.500	47	• 475369N	N	2.500	3.623	3.628	0.468	47
• 475147N	N	2.500	3.500	3.505	0.500	47	• 475371	S	4.625	5.751	5.756	0.562	47
• 475148	S	3.875	5.251	5.256	0.468	47	• 475379N	N	3.750	4.751	4.756	0.500	47
• 475149	S	2.625	3.751	3.756	0.500	47	475379 ³	S	3.750	4.751	4.756	0.500	47
• 475149N	N	2.625	3.751	3.756	0.500	47	475380N ³	N	2.375	3.623	3.628	0.468	47
• 475150	S	3.750	5.251	5.256	0.468	47	• 475380	S	2.375	3.623	3.628	0.468	47
• 475152	S	2.875	4.125	4.130	0.562	47	475384³	S	2.812	4.003	4.008	0.468	47
• 475154	S	3.000	4.125	4.130	0.562	47	• 475389	S	3.625	4.499	4.504	0.468	47
• 475156	S	3.125	4.125	4.130	0.562	47	• 475389N	N	3.625	4.499	4.504	0.468	47
• 475156N	N	3.125	4.125	4.130	0.562	47	• 475394	S	3.125	5.251	5.256	0.468	47
• 475165	S	3.375	4.499	4.504	0.468	47	• 475396	S	3.500	5.751	5.756	0.562	47
• 475173	S	3.500	4.751	4.756	0.625	47	• 475423	S	3.750	5.501	5.506	0.562	47
• 475175	S	3.625	4.751	4.756	0.625	47	• 475436	S	3.625	5.751	5.756	0.562	47
• 475177	S	3.750	4.751	4.756	0.625	47	• 475437	S	3.500	4.750	4.756	0.500	47
• 475179	S	3.875	4.751	4.756	0.625	47	• 475449	S	2.500	3.500	3.505	0.375	47
• 475192	S	4.000	5.251	5.256	0.468	47	• 475458V	V	2.625	3.623	3.628	0.375	47
• 475192N	N	4.000	5.251	5.256	0.468	47	475458 ³	S	2.625	3.623	3.628	0.375	47
• 475195	S	4.250	5.251	5.256	0.468	47	• 475479	S	3.000	3.876	3.881	0.468	47
• 475195N	N	4.250	5.251	5.256	0.468	47	• 475479N	N	3.000	3.876	3.881	0.468	47
• 475196	S	4.250	5.375	5.381	0.500	47	• 475483	S	2.625	3.500	3.505	0.375	47
• 475198	S	4.375	5.501	5.506	0.562	47	475500 ³	S	3.298	4.125	4.130	0.562	47
• 475200	S	4.500	5.501	5.506	0.562	47	• 475559	S	3.500	5.251	5.256	0.468	47
• 475201	S	4.000	5.999	6.007	0.625	47	• 475563	S	3.250	4.003	4.008	0.468	47
• 475205	S	4.250	5.999	6.007	0.625	47	• 475566	S	3.250	4.125	4.130	0.562	47
• 475207	S	4.375	5.999	6.007	0.625	47	• 475568	S	3.125	3.876	3.881	0.468	47
• 475209	S	4.500	5.999	6.007	0.625	47	• 475613	S	3.375	4.249	4.254	0.625	47
• 475211	S	4.625	5.999	6.007	0.625	47	• 475636	S	2.187	3.500	3.505	0.500	47
• 475213	S	4.750	5.999	6.007	0.625	47	• 475638	S	5.500	6.750	6.757	0.500	47
• 475234	S	2.250	3.623	3.628	0.468	47	• 475645	S	5.250	6.500	6.507	0.562	47
475234N ³	N	2.250	3.623	3.628	0.468	47	• 475655	S	2.500	4.003	4.008	0.468	47
• 475245	S	3.125	4.751	4.756	0.625	47	• 475659	S	2.125	3.500	3.505	0.500	47
• 475259	S	2.250	3.751	3.756	0.500	47	• 475697	S	3.875	5.125	5.131	0.500	47
• 475262	S	3.500	5.501	5.506	0.562	47	• 475725	S	5.000	5.999	6.007	0.500	47
• 475265	S	3.250	4.751	4.756	0.625	47	• 475725N	N	5.000	5.999	6.007	0.500	47
• 475271	S	5.000	5.999	6.007	0.625	47	• 475733	S	2.750	3.751	3.756	0.437	47
• 475272	S	2.750	4.003	4.008	0.468	47	• 475836	S	3.000	4.003	4.008	0.437	47
• 475272N	N	2.750	4.003	4.008	0.468	47	• 475836V	V	3.000	4.003	4.008	0.437	47
• 475281	S	3.000	3.751	3.756	0.500	47	475845 ³	S	4.000	4.999	5.004	0.375	47
• 475281N	N	3.000	3.751	3.756	0.500	47	• 475852	S	3.750	5.751	5.756	0.562	47
• 475296	S	2.625	4.003	4.008	0.468	47	• 475894	S	3.375	4.376	4.381	0.500	47
• 475303	S	2.875	3.623	3.628	0.375	47	• 475937	S	3.625	4.751	4.756	0.500	47
• 475304	S	3.250	4.249	4.254	0.500	47	• 475953	S	4.000	4.999	5.004	0.500	47
• 475304V	V	3.250	4.249	4.254	0.500	47	• 475984	S	2.750	3.623	3.628	0.375	47
• 475315	S	2.750	3.623	3.628	0.468	47	• 475984N	N	2.750	3.623	3.628	0.375	47
• 475319N	N	3.500	5.126	5.131	0.625	47	• 475991N	N	3.500	4.501	4.506	0.468	47
• 475322	S	2.750	3.543	3.548	0.500	47	• 476011	S	3.125	4.125	4.130	0.500	47
475322N³	N	2.750	3.543	3.548	0.500	47	• 476011V	V	3.125	4.125	4.130	0.500	47

NUMERIC SECTION

³Redicoat® ; • Non Stock Item - Special Order

Numerical List Size & Type

RADIAL SHAFT SEALS

NUMERIC SECTION

Part No.	Lip Mat'l	Shaft Size	Hsg Bore	Seal O.D.	Seal Width	Type/ Illus.	Part No.	Lip Mat'l	Shaft Size	Hsg Bore	Seal O.D.	Seal Width	Type/ Illus.
470000 SERIES (cont.)							470000 SERIES (cont.)						
• 476023V	V	3.000	3.751	3.756	0.375	47	476470V ³	V	3.250	4.249	4.254	0.375	47
476023N ³	N	3.000	3.751	3.756	0.375	47	• 476470N	N	3.250	4.249	4.254	0.375	47
476028 ³	S	3.375	4.249	4.254	0.468	47	• 476500	S	2.937	3.937	3.942	0.500	47
• 476028N	N	3.375	4.249	4.254	0.468	47	476500N ³	N	2.937	3.937	3.942	0.500	47
• 476041	S	3.750	4.626	4.632	0.500	47	476509 ³	S	1.937	3.623	3.628	0.468	47
• 476043	S	3.875	5.751	5.756	0.562	47	476510 ³	S	1.562	3.543	3.548	0.375	47
• 476047	S	3.625	4.625	4.631	0.500	47	476511 ³	S	2.187	5.118	5.124	0.375	47
• 476098N	N	3.875	4.686	4.691	0.375	47	476512 ³	S		110,00	110,13	9,50	47
• 476107	S	5.500	6.750	6.757	0.575	47			1.969	4.331	4.336	0.374	
• 476124	S	3.687	4.626	4.631	0.625	47	• 476513	S	2.162	3.543	3.548	0.375	47
• 476125	S	3.625	4.999	5.004	0.500	47	476514 ³	S	2.556	3.937	3.942	0.375	47
• 476128	S	3.875	5.501	5.506	0.562	47	• 476515	S	2.950	4.528	4.533	0.375	47
• 476130	S	4.000	5.375	5.381	0.500	47	• 476516	S	3.346	5.118	5.124	0.500	47
• 476135	S	4.250	5.625	5.631	0.500	47	476517	S	3.934	5.906	5.911	0.500	47
• 476149N	N	4.375	5.999	6.007	0.500	47	476518 ³	S		170,00	170,18	12,70	47
• 476153	S	4.500	5.625	5.631	0.500	47			4.331	6.693	6.700	0.500	
• 476154	S	4.500	5.999	6.007	0.500	47	• 476519	S	5.062	7.874	7.881	0.500	47
• 476158	S	4.625	5.999	6.007	0.500	47	• 476535N	N	2.125	3.149	3.154	0.375	47
• 476163	S	4.812	5.999	6.007	0.500	47	476535 ³	S	2.125	3.149	3.154	0.375	47
• 476173	S	5.125	6.250	6.256	0.562	47	• 476556	S	4.250	5.250	5.256	0.500	47
• 476173V	V	5.125	6.250	6.256	0.562	47	476574N ³	N	2.750	3.937	3.942	0.500	47
• 476267	S	2.125	3.500	3.505	0.375	47	• 476591N	N	3.562	4.626	4.631	0.562	47
• 476268	S	2.187	3.500	3.505	0.375	47	• 476624	S	3.500	4.376	4.381	0.500	47
• 476271	S	2.375	3.500	3.505	0.375	47	• 476624V	V	3.500	4.376	4.381	0.500	47
• 476272	S	2.437	3.623	3.628	0.468	47	• 476654N	N	2.937	4.003	4.008	0.375	47
• 476273	S	2.500	3.623	3.628	0.375	47	• 476664	S	2.750	3.500	3.505	0.375	47
• 476281N	N	2.750	4.125	4.130	0.562	47	• 476666	S	5.750	7.001	7.008	0.562	47
476281 ³	S	2.750	4.125	4.130	0.562	47	• 476706N	N	2.750	4.003	4.008	0.375	47
• 476282	S	2.750	4.249	4.254	0.468	47	• 476808	S	2.125	3.937	3.942	0.375	47
• 476283	S	2.750	4.249	4.254	0.500	47	• 476816	S	4.000	6.375	6.382	0.500	47
476283N ³	N	2.750	4.249	4.254	0.500	47	476820 ³	S	1.750	3.937	3.942	0.312	47
• 476286	S	2.875	4.249	4.254	0.625	47	476838³	S	1.125	1.828	1.832	0.312	47
• 476288	S	3.125	4.249	4.254	0.500	47	476842 ³	S	5.500	6.250	6.257	0.500	47
• 476294	S	3.375	4.249	4.254	0.500	47	• 476865	S	5.000	6.250	6.256	0.500	47
• 476297	S	3.125	4.626	4.631	0.437	47	• 476878	S	1.625	3.937	3.942	0.375	47
• 476303	S	3.250	4.626	4.631	0.437	47	• 476888	S	4.500	5.500	5.506	0.500	47
• 476319	S	3.375	4.626	4.631	0.437	47	• 476888V	V	4.500	5.500	5.506	0.500	47
• 476323	S	3.375	4.751	4.756	0.625	47	• 476891	S	4.250	5.500	5.506	0.500	47
• 476327	S	3.375	5.251	5.256	0.468	47	• 476892	S	4.500	5.750	5.756	0.500	47
• 476328	S	3.500	4.626	4.631	0.437	47	• 476921	S	2.875	4.003	4.008	0.375	47
• 476332	S	3.625	4.626	4.631	0.437	47	• 476985	S	3.875	4.750	4.756	0.375	47
• 476332N	N	3.625	4.626	4.631	0.437	47	477055 ³	S	3.330	4.125	4.130	0.562	47
• 476335	S	3.625	5.251	5.256	0.468	47	477069 ³	S	2.598	4.000	4.005	0.500	47
• 476336	S	3.750	4.626	4.631	0.437	47	• 477104	S	1.625	3.543	3.548	0.375	47
• 476339	S	3.750	4.999	5.004	0.500	47	477105 ³	S	1.875	4.331	4.336	0.500	47
• 476341	S	3.875	4.626	4.631	0.437	47	• 477123	S	4.000	6.312	6.318	0.500	47
• 476345	S	3.875	4.999	5.004	0.500	47	• 477158	S	2.875	3.876	3.881	0.375	47
• 476365	S	3.437	4.501	4.506	0.468	47	• 477158V	V	2.875	3.876	3.881	0.375	47
• 476370	S	3.000	4.751	4.756	0.625	47	477163N ³	N	3.000	4.501	4.506	0.468	47
• 476380	S	4.375	5.500	5.506	0.500	47	• 477171	S	3.125	4.375	4.381	0.500	47
• 476389	S	3.625	5.501	5.506	0.562	47	• 477172	S	3.125	4.500	4.506	0.500	47
• 476404	S	3.125	4.003	4.008	0.375	47	• 477181	S	3.250	4.376	4.381	0.500	47
• 476404N	N	3.125	4.003	4.008	0.375	47	• 477191	S	3.375	4.500	4.506	0.500	47
• 476414	S	3.500	4.500	4.506	0.500	47	• 477196	S	3.500	4.625	4.631	0.500	47
476424N ³	N	3.500	4.751	4.756	0.375	47	• 477205	S	3.750	4.875	4.881	0.500	47
476470³	S	3.250	4.249	4.254	0.375	47	• 477211	S	3.875	4.875	4.881	0.500	47

Numerical List Size & Type

RADIAL SHAFT SEALS



Part No.	Lip Mat'l	Shaft Size	Hsg Bore	Seal O.D.	Seal Width	Type/ Illus.	Part No.	Lip Mat'l	Shaft Size	Hsg Bore	Seal O.D.	Seal Width	Type/ Illus.
470000 SERIES (cont.)							480000 SERIES (cont.)						
• 477247	S	4.750	6.001	6.007	0.500	47	• 480071V	V	1.875	2.623	2.627	0.500	48
• 477254	S	5.500	6.500	6.507	0.562	47	• 480076	S	1.750	2.686	2.690	0.500	48
• 477262	S	5.250	6.250	6.256	0.500	47	• 480076N	N	1.750	2.686	2.690	0.500	48
• 477278	S	5.000	6.375	6.381	0.500	47	• 480077	S	1.500	2.758	2.762	0.500	48
• 477316	S	2.750	3.751	3.756	0.375	47	• 480082	S	1.875	2.875	2.879	0.468	48
• 477343	S	2.625	3.751	3.756	0.375	47	• 480085	S	2.000	2.996	3.001	0.500	48
• 477344	S	2.875	3.751	3.756	0.375	47	• 480094	S	1.937	3.189	3.194	0.437	48
• 477344V	V	2.875	3.751	3.756	0.375	47	• 480096	S	2.062	3.189	3.194	0.437	48
• 477349	S	3.000	3.751	3.756	0.437	47	• 480097	S	2.125	3.350	3.355	0.468	48
• 477350	S	3.000	3.876	3.881	0.437	47	• 480098	S	2.187	3.350	3.355	0.468	48
• 477351	S	3.000	4.125	4.130	0.437	47	• 480099	S	2.250	3.350	3.355	0.468	48
• 477352	S	3.250	4.500	4.506	0.500	47	• 480101	S	2.375	3.350	3.355	0.468	48
• 477353	S	3.250	4.626	4.632	0.500	47	• 480101N	N	2.375	3.350	3.355	0.468	48
• 477354	S	3.375	4.626	4.632	0.500	47	• 480115	S	2.125	2.996	3.001	0.500	48
• 477355	S	3.625	4.875	4.881	0.500	47	• 480118	S	1.812	2.750	2.754	0.500	48
• 477356	S	4.000	5.125	5.131	0.500	47	• 480119	S	0.500	0.999	1.003	0.375	48
• 477357	S	4.000	5.250	5.256	0.500	47	• 480121	S	2.125	3.189	3.194	0.437	48
• 477358	S	5.250	6.375	6.381	0.500	47	• 480132	S	2.250	3.371	3.376	0.468	48
• 477359	S	5.250	6.625	6.632	0.562	47	• 480132N	N	2.250	3.371	3.376	0.468	48
• 477360	S	5.500	6.625	6.632	0.562	47	• 480135	S	1.375	2.125	2.129	0.437	48
• 477361	S	5.500	6.875	6.882	0.562	47	• 480136	S	1.500	2.250	2.254	0.500	48
• 477362	S	5.750	6.750	6.757	0.575	47	• 480137	S	0.687	1.124	1.128	0.375	48
• 477363	S	5.750	6.875	6.882	0.562	47	• 480138	S	1.937	2.686	2.690	0.500	48
• 477364	S	5.750	7.125	7.132	0.562	47	• 480139	S	2.187	2.996	3.001	0.500	48
• 477365	S	6.000	7.125	7.132	0.562	47	• 480144	S	1.437	2.502	2.506	0.500	48
• 477366	S	3.875	5.250	5.256	0.500	47	• 480145	S	1.937	2.996	3.001	0.500	48
• 477437	S	3.500	4.500	4.506	0.375	47	• 480152	S	1.187	2.125	2.129	0.437	48
• 477439	S	4.500	5.501	5.507	0.380	47	• 480160	S	1.125	2.000	2.004	0.437	48
• 477586V	V	2.625	4.376	4.381	0.500	47	• 480162	S	1.187	2.000	2.004	0.437	48
• 477599	S	3.500	4.376	4.381	0.375	47	• 480169	S	1.375	2.250	2.254	0.500	48
• 477609	S	1.875	3.500	3.505	0.500	47	• 480171	S	1.437	2.250	2.254	0.500	48
• 477673V	V	1.968	4.003	4.008	0.437	47	• 480183	S	1.750	2.750	2.754	0.500	48
• 477674V	V	2.165	4.003	4.008	0.437	47	• 480185	S	1.562	2.502	2.506	0.500	48
480000 SERIES							• 480194	S	1.625	2.502	2.506	0.500	48
• 480007	S	0.562	1.124	1.128	0.375	48	• 480204	S	0.812	1.375	1.379	0.406	48
• 480009	S	0.625	1.124	1.128	0.375	48	480210³	S	1.062	1.499	1.503	0.312	48
• 480023	S	0.625	1.375	1.379	0.406	48	• 480230	S	1.000	1.752	1.756	0.437	48
• 480028	S	0.750	1.499	1.503	0.390	48	• 480235V	V	1.093	1.874	1.878	0.437	48
• 480039	S	0.937	1.828	1.832	0.437	48	• 480248	S	1.343	2.125	2.129	0.437	48
• 480041	S	1.000	1.828	1.832	0.437	48	• 480261	S	2.062	2.996	3.001	0.500	48
• 480043	S	1.062	1.828	1.832	0.437	48	• 480265	S	1.687	2.623	2.627	0.500	48
• 480047	S	1.187	1.983	1.987	0.437	48	• 480267	S	1.812	2.623	2.627	0.500	48
• 480057	S	1.437	2.374	2.378	0.500	48	• 480268	S	1.843	2.623	2.627	0.500	48
• 480058	S	1.468	2.374	2.378	0.500	48	480281 ³	S	1.812	2.758	2.762	0.500	48
• 480058N	N	1.468	2.374	2.378	0.500	48	• 480283	S	1.875	2.758	2.762	0.500	48
• 480059	S	1.500	2.374	2.378	0.500	48	• 480295	S	1.937	2.875	2.879	0.468	48
• 480059N	N	1.500	2.374	2.378	0.500	48	• 480300	S	1.937	3.000	3.005	0.500	48
• 480061	S	1.375	2.437	2.441	0.468	48	• 480302	S	2.062	3.000	3.005	0.500	48
• 480061N	N	1.375	2.437	2.441	0.468	48	• 480306	S	1.937	3.061	3.066	0.500	48
• 480064	S	1.562	2.437	2.441	0.468	48	• 480307	S	2.062	3.061	3.066	0.500	48
• 480067	S	1.500	2.502	2.506	0.500	48	• 480308	S	2.125	3.061	3.066	0.500	48
• 480069	S	1.625	2.623	2.627	0.500	48	• 480309	S	1.937	3.125	3.130	0.500	48
• 480070	S	1.750	2.623	2.627	0.500	48	• 480311	S	2.062	3.125	3.130	0.500	48
• 480070N	N	1.750	2.623	2.627	0.500	48	• 480312	S	2.125	3.125	3.130	0.500	48
• 480071	S	1.875	2.623	2.627	0.500	48	• 480312N	N	2.125	3.125	3.130	0.500	48
							• 480313	S	2.062	3.251	3.256	0.500	48

NUMERIC SECTION

³Redicoat® ; • Non Stock Item - Special Order

Numerical List Size & Type

RADIAL SHAFT SEALS

Part No.	Lip Mat'l	Shaft Size	Hsg Bore	Seal O.D.	Seal Width	Type/ Illus.	Part No.	Lip Mat'l	Shaft Size	Hsg Bore	Seal O.D.	Seal Width	Type/ Illus.
480000 SERIES (cont.)							480000 SERIES (cont.)						
• 480314	S	2.125	3.251	3.256	0.500	48	• 480574	S	2.375	3.251	3.256	0.500	48
• 480315	S	2.187	3.251	3.256	0.500	48	480581 ³	S	1.594	2.125	2.129	0.250	48
• 480316	S	2.250	3.251	3.256	0.500	48	• 480605	S	2.500	3.371	3.376	0.375	48
• 480316N	S	2.250	3.251	3.256	0.500	48	• 480626	S	2.625	3.371	3.376	0.468	48
• 480320	S	2.375	3.189	3.194	0.437	48	480630³	S	1.500	2.062	2.066	0.250	48
• 480329	S	2.625	3.350	3.356	0.468	48	• 480639	S	2.125	2.835	2.839	0.468	48
• 480329N	N	2.625	3.350	3.356	0.468	48	• 480652	S	1.250	2.000	2.004	0.375	48
• 480329RCY	S	2.625	3.350	3.356	0.468	48	• 480673	S	0.812	1.375	1.379	0.250	48
• 480330	S	2.500	3.371	3.376	0.468	48	• 480680	S	0.875	1.499	1.503	0.312	48
• 480343	S	2.062	3.371	3.376	0.468	48	• 480681	S	2.187	3.125	3.130	0.500	48
• 480350	S	2.375	3.371	3.376	0.468	48	• 480683	S	1.250	1.874	1.878	0.375	48
• 480352	S	1.750	2.502	2.506	0.500	48	• 480712	S	1.125	1.874	1.878	0.250	48
• 480354	S	2.187	3.189	3.194	0.437	48	• 480737	S	2.250	3.189	3.194	0.437	48
480356 ³	S	1.250	1.686	1.690	0.375	48	• 480774	S	1.375	2.062	2.066	0.375	48
• 480359	S	1.750	2.996	3.001	0.500	48	• 480791	S	0.625	1.124	1.128	0.312	48
• 480363	S	1.687	2.502	2.506	0.375	48	• 480814	S	1.500	2.441	2.445	0.500	48
• 480365	S	2.125	2.875	2.879	0.468	48	480821 ³	S	0.750	1.312	1.316	0.250	48
• 480373	S	2.062	2.875	2.879	0.468	48	• 480823	S	1.875	2.502	2.506	0.500	48
• 480403	S	1.375	2.062	2.066	0.437	48	480844 ³	S	1.500	2.222	2.226	0.312	48
• 480403N	N	1.375	2.062	2.066	0.437	48	• 480867N	N	2.125	2.875	2.879	0.437	48
• 480403V	V	1.375	2.062	2.066	0.437	48	480889 ³	S	0.812	1.312	1.316	0.250	48
• 480410	S	2.000	2.623	2.627	0.500	48	• 480895	S	0.750	1.375	1.379	0.312	48
• 480410N	N	2.000	2.623	2.627	0.500	48	• 480898	S	2.125	2.875	2.879	0.375	48
• 480433	S	2.250	3.125	3.130	0.500	48	• 480898H	H	2.125	2.875	2.879	0.375	48
• 480441	S	2.250	2.996	3.001	0.500	48	• 480929	S	1.750	2.374	2.378	0.500	48
• 480444	S	1.375	2.502	2.506	0.500	48	• 480950	S	1.375	2.437	2.441	0.375	48
• 480452	S	1.375	2.835	2.839	0.468	48	• 480950N	N	1.375	2.437	2.441	0.375	48
• 480453	S	1.437	2.125	2.129	0.437	48	480954 ³	S	0.750	1.250	1.254	0.250	48
• 480453N	N	1.437	2.125	2.129	0.437	48	480954V ³	V	0.750	1.250	1.254	0.250	48
• 480455	S	1.937	2.623	2.627	0.500	48	• 480954N	N	0.750	1.250	1.254	0.250	48
• 480463	S	1.375	2.750	2.754	0.500	48	• 480963	S	1.562	2.437	2.441	0.500	48
480479H	H	1.687	2.437	2.441	0.468	48	• 480972	S	2.125	3.371	3.376	0.468	48
• 480479	S	1.687	2.437	2.441	0.468	48	480988H ³	H	2.375	3.061	3.066	0.500	48
• 480479V	V	1.687	2.437	2.441	0.468	48	• 480988	S	2.375	3.061	3.066	0.500	48
• 480489	S	2.187	2.875	2.879	0.468	48	480991 ³	S	1.500	2.062	2.066	0.375	48
480491 ³	S	2.750	3.481	3.486	0.500	48	• 481016	S	1.562	2.125	2.129	0.437	48
• 480494	S	1.750	2.502	2.506	0.375	48	• 481016N	N	1.562	2.125	2.129	0.437	48
• 480494N	N	1.750	2.502	2.506	0.375	48	481073³	S	0.656	1.375	1.379	0.250	48
• 480496	S	2.500	3.350	3.355	0.468	48	• 481083N	N	1.250	1.752	1.756	0.375	48
• 480496N	N	2.500	3.350	3.355	0.468	48	• 481083V	V	1.250	1.752	1.756	0.375	48
• 480519	S	2.500	3.251	3.256	0.500	48	• 481100	S	1.125	1.624	1.628	0.312	48
• 480519N	N	2.500	3.251	3.256	0.500	48	• 481122	S	1.750	2.437	2.441	0.375	48
• 480519V	V	2.500	3.251	3.256	0.500	48	• 481131	S	1.375	2.374	2.378	0.375	48
• 480520	S	2.250	3.000	3.005	0.500	48	• 481133	S	1.125	1.752	1.756	0.375	48
• 480523	S	1.500	2.875	2.879	0.468	48	• 481135	S	1.125	2.062	2.066	0.375	48
• 480536	S	0.562	1.246	1.250	0.375	48	• 481138	S	2.250	3.125	3.130	0.375	48
• 480539	S	1.625	3.000	3.005	0.500	48	• 481138N	N	2.250	3.125	3.130	0.375	48
• 480541	S	1.000	1.752	1.756	0.375	48	• 481150N	N	1.625	2.374	2.378	0.375	48
• 480550	S	1.937	2.562	2.567	0.317	48	481163 ³	S	1.500	2.000	2.004	0.312	48
• 480552	S	2.375	3.125	3.130	0.500	48	• 481166	S	1.937	2.625	2.629	0.375	48
• 480553	S	1.000	1.499	1.503	0.312	48	481181 ³	S	1.625	2.125	2.129	0.250	48
• 480565	S	2.375	3.125	3.130	0.375	48	481181N ³	N	1.625	2.125	2.129	0.250	48
• 480567	S	0.875	1.375	1.379	0.312	48	481191V ^{3,7}	V	2.254	2.756	2.763	0.340	48
• 480567N	N	0.875	1.375	1.379	0.312	48	• 481192	S	1.375	2.125	2.129	0.312	48
480570	S	1.375	2.000	2.004	0.328	48	481195 ³	S	1.937	2.502	2.506	0.375	48
480574H ³	H	2.375	3.252	3.256	0.500	48	• 481195N	N	1.937	2.502	2.506	0.375	48

NUMERIC SECTION

Numerical List Size & Type

RADIAL SHAFT SEALS



Part No.	Lip Mat'l	Shaft Size	Hsg Bore	Seal O.D.	Seal Width	Type/ Illus.	Part No.	Lip Mat'l	Shaft Size	Hsg Bore	Seal O.D.	Seal Width	Type/ Illus.
480000 SERIES (cont.)							480000 SERIES (cont.)						
• 481203N	N	1.250	1.750	1.754	0.375	48	• 481766	S	1.250	2.000	2.004	0.250	48
481213³	S	1.187	1.687	1.691	0.250	48	• 481787	S	1.250	2.062	2.066	0.250	48
481224V ³	V	1.000	1.499	1.503	0.250	48	• 481787N	N	1.250	2.062	2.066	0.250	48
• 481224	S	1.000	1.499	1.503	0.250	48	481792³	S	1.125	2.125	2.129	0.250	48
• 481234	S	2.250	3.061	3.066	0.500	48	• 481792N	N	1.125	2.125	2.129	0.250	48
• 481239	S	1.000	1.625	1.629	0.375	48	• 481795	S	1.250	2.125	2.129	0.250	48
481267 ³	S	0.875	1.375	1.379	0.250	48	• 481801	S	1.250	2.252	2.256	0.375	48
• 481267N	N	0.875	1.375	1.379	0.250	48	• 481801RRR	S	1.250	2.251	2.256	0.375	48
• 481271	S	2.500	3.251	3.256	0.375	48	• 481808	S	1.250	2.374	2.378	0.375	48
• 481272	S	2.250	3.000	3.005	0.375	48	• 481833	S	1.250	2.502	2.506	0.375	48
• 481272N	N	2.250	3.000	3.005	0.375	48	481834 ³	S	1.312	2.502	2.506	0.375	48
• 481281	S	0.562	1.124	1.128	0.250	48	481837 ³	S	1.500	2.502	2.506	0.375	48
• 481288	S	1.750	2.374	2.378	0.375	48	• 481839	S	1.625	2.502	2.506	0.375	48
• 481289	S	1.625	2.251	2.256	0.375	48	• 481839N	N	1.625	2.502	2.506	0.375	48
• 481315	S	0.562	0.999	1.003	0.250	48	481859 ³	S	1.250	2.686	2.690	0.375	48
• 481315N	N	0.562	0.999	1.003	0.250	48	481864³	S	1.625	2.686	2.690	0.375	48
• 481315V	V	0.562	0.999	1.003	0.250	48	• 481887H	H	2.437	3.125	3.130	0.375	48
• 481338	S	2.187	3.000	3.005	0.500	48	• 481953	S	2.187	2.875	2.879	0.437	48
• 481384N	N	1.594	2.125	2.129	0.281	48	• 481984	S	1.750	3.000	3.005	0.375	48
481397³	S	0.656	1.575	1.579	0.250	48	481992 ³	S	1.812	3.125	3.130	0.375	48
• 481410	S	1.687	2.328	2.332	0.437	48	• 482005	S	1.875	3.125	3.130	0.375	48
• 481413V	V	1.250	1.752	1.756	0.250	48	• 482012	S	2.062	3.000	3.005	0.375	48
• 481414	S	3.375	4.376	4.381	0.562	48	• 482015N	N	2.125	3.000	3.005	0.375	48
• 481419	S	1.625	2.437	2.441	0.375	48	• 482015V	V	2.125	3.000	3.005	0.375	48
• 481420	S	1.750	2.436	2.441	0.315	48	• 482016	S	2.125	3.125	3.130	0.375	48
• 481424	S	2.000	2.623	2.627	0.312	48	• 482017	S	2.187	2.996	3.001	0.437	48
• 481442	S	0.500	0.999	1.003	0.250	48	• 482018	S	2.187	3.000	3.005	0.375	48
• 481442N	N	0.500	0.999	1.003	0.250	48	• 482019	S	2.187	3.062	3.066	0.500	48
• 481442V	V	0.500	0.999	1.003	0.250	48	• 482020	S	2.187	3.125	3.130	0.375	48
481443³	S	0.781	1.375	1.379	0.250	48	• 482029	S	2.500	3.189	3.194	0.375	48
481443V ³	V	0.781	1.375	1.379	0.250	48	• 482035	S	2.187	3.371	3.376	0.468	48
481466 ³	S	0.625	1.124	1.128	0.250	48	482041N ³	N	1.875	2.502	2.506	0.375	48
• 481466V	V	0.625	1.124	1.128	0.250	48	• 482041	S	1.875	2.502	2.506	0.375	48
• 481475	S	2.625	3.543	3.548	0.500	48	482069N ³	N	0.860	1.437	1.441	0.250	48
481481	S	0.668	1.187	1.191	0.185	48	• 482089	S	0.781	1.850	1.854	0.312	48
• 481504	S	1.750	2.437	2.441	0.312	48	482126	S	1.750	2.328	2.332	0.437	48
• 481507	S	1.500	2.252	2.256	0.375	48	• 482157N	N	4.250	5.251	5.256	0.375	48
• 481507N	N	1.500	2.252	2.256	0.375	48	482163 ³	S	1.375	1.983	1.987	0.312	48
• 481507V	V	1.500	2.252	2.256	0.375	48	482163N³	N	1.375	1.983	1.987	0.312	48
• 481509	S	2.500	3.250	3.256	0.437	48	482164N ³	N	1.750	2.502	2.506	0.312	48
481528³	S	0.656	1.124	1.128	0.250	48	• 482164	S	1.750	2.502	2.506	0.312	48
• 481535	S	0.562	1.250	1.254	0.250	48	• 482167	S	1.375	2.250	2.254	0.325	48
481537³	S	0.656	1.250	1.254	0.250	48	• 482170	S	1.625	2.875	2.879	0.500	48
• 481552	S	0.593	1.375	1.379	0.250	48	482208 ³	S	1.125	1.624	1.628	0.245	48
481568³	S	0.781	1.499	1.503	0.250	48	482230N ³	N	1.250	2.126	2.130	0.375	48
• 481570	S	0.875	1.499	1.503	0.250	48	482253³	S	1.593	2.502	2.506	0.250	48
• 481570V	V	0.875	1.499	1.503	0.250	48	• 482253N	N	1.593	2.502	2.506	0.250	48
• 481582	S	0.937	1.499	1.504	0.312	48	482267 ³	S	1.750	3.153	3.159	0.312	48
481644³	S	0.781	1.624	1.628	0.250	48	482309³	S	0.968	1.850	1.854	0.375	48
481650 ³	S	1.031	1.624	1.628	0.250	48	• 482309V	V	0.968	1.850	1.854	0.375	48
• 481652	S	1.125	1.624	1.628	0.250	48	482310 ³	S	0.968	2.048	2.052	0.375	48
• 481652N	N	1.125	1.624	1.628	0.250	48	• 482336	S	1.000	1.828	1.832	0.375	48
• 481688	S	0.968	1.752	1.756	0.250	48	• 482401V	V	1.625	2.437	2.441	0.500	48
• 481718	S	1.062	1.752	1.756	0.375	48	482415 ³	S	1.496	2.058	2.063	0.250	48
• 481750	S	1.250	1.983	1.987	0.250	48	• 482435	S	2.172	3.345	3.350	0.500	48
• 481765	S	1.187	2.000	2.004	0.250	48	• 482439	S	1.875	2.623	2.627	0.312	48

NUMERIC SECTION

³Redicoat® ; • Non Stock Item - Special Order

Numerical List Size & Type

RADIAL SHAFT SEALS

Part No.	Lip Mat'l	Shaft Size	Hsg Bore	Seal O.D.	Seal Width	Type/ Illus.	Part No.	Lip Mat'l	Shaft Size	Hsg Bore	Seal O.D.	Seal Width	Type/ Illus.
480000 SERIES (cont.)							480000 SERIES (cont.)						
• 482522	S	1.000	1.874	1.878	0.375	48	• 485023	S	3.250	4.999	5.004	0.468	48
• 482523	S	1.125	1.874	1.878	0.375	48	• 485025	S	3.375	4.999	5.004	0.468	48
482576N	N	1.375	2.125	2.129	0.375	48	• 485027	S	3.500	4.999	5.004	0.468	48
• 482576	S	1.375	2.125	2.129	0.375	48	• 485027N	N	3.500	4.999	5.004	0.468	48
• 482582	S	0.968	1.750	1.754	0.375	48	• 485029	S	3.625	4.999	5.004	0.468	48
• 482585	S	1.187	2.062	2.066	0.375	48	• 485031	S	3.750	4.999	5.004	0.468	48
• 482591	S	1.500	2.328	2.332	0.437	48	• 485033	S	3.875	4.999	5.004	0.468	48
• 482612	S	2.125	2.875	2.879	0.500	48	• 485033V	V	3.875	4.999	5.004	0.468	48
• 482636	S	2.250	3.251	3.256	0.375	48	• 485035	S	4.000	4.999	5.004	0.468	48
• 482674	S	1.125	1.983	1.987	0.375	48	• 485035N	N	4.000	4.999	5.004	0.468	48
• 482916	S	2.250	3.189	3.194	0.375	48	• 485036	S	4.000	5.501	5.506	0.562	48
• 482920	S	2.250	3.371	3.376	0.375	48	• 485040	S	4.250	5.501	5.506	0.562	48
• 483010	S	1.625	2.502	2.506	0.312	48	• 485041	S	4.000	5.751	5.756	0.562	48
483054N ³	N	1.175	1.828	1.832	0.312	48	• 485045	S	4.250	5.751	5.756	0.562	48
483230V ³	V	1.625	2.250	2.254	0.312	48	• 485047	S	4.375	5.751	5.756	0.562	48
• 483230	S	1.625	2.250	2.254	0.312	48	• 485049	S	4.500	5.751	5.756	0.562	48
483238V ³	V	1.875	2.875	2.879	0.312	48	• 485053	S	4.750	5.751	5.756	0.562	48
• 483238	S	1.875	2.875	2.879	0.312	48	• 485054	S	4.000	6.250	6.256	0.562	48
• 483240	S	1.875	3.125	3.130	0.312	48	• 485058	S	4.250	6.250	6.256	0.562	48
• 483243	S	2.125	3.251	3.256	0.375	48	• 485060	S	4.375	6.250	6.256	0.562	48
• 483244	S	2.187	2.875	2.879	0.375	48	• 485062	S	4.500	6.250	6.256	0.562	48
• 483245	S	2.187	3.251	3.256	0.375	48	• 485064	S	4.625	6.250	6.256	0.562	48
483246N ^{2,3}	N	2.375	3.251	3.256	0.375	48	• 485066	S	4.750	6.250	6.256	0.562	48
• 483246	S	2.375	3.251	3.256	0.375	48	• 485068	S	4.875	6.250	6.256	0.562	48
• 483247	S	2.375	3.371	3.376	0.375	48	• 485070	S	5.000	6.250	6.256	0.562	48
• 483248	S	2.625	3.371	3.376	0.375	48	• 485072	S	6.000	7.501	7.508	0.562	48
483367V ³	V	1.625	2.437	2.441	0.312	48	• 485079	S	2.500	3.751	3.756	0.500	48
483459H ³	H	1.937	2.686	2.690	0.312	48	• 485082	S	2.500	3.876	3.881	0.468	48
483488 ^{2,3}	S	1.175	1.771	1.775	0.275	48	• 485088	S	3.000	4.499	4.504	0.468	48
• 483525V	V	1.618	2.124	2.128	0.250	48	• 485091	S	4.875	5.999	6.007	0.625	48
• 483562	S	1.375	1.983	1.987	0.375	48	• 485093	S	2.250	3.500	3.505	0.500	48
• 483562N	N	1.375	1.983	1.987	0.375	48	• 485095	S	2.375	3.500	3.505	0.500	48
• 483602	S	1.730	2.834	2.838	0.375	48	• 485137	S	3.250	4.499	4.504	0.468	48
483793 ³	S	1.343	2.441	2.445	0.375	48	• 485138	S	4.750	5.750	5.756	0.500	48
• 483801	S	1.875	2.441	2.445	0.325	48	• 485138V	V	4.750	5.751	5.756	0.500	48
• 483815	S	2.125	3.350	3.356	1.250	48	• 485144	S	2.875	4.499	4.504	0.468	48
484054 ³	S	1.326	2.061	2.065	0.375	48	• 485145	S	3.125	4.499	4.504	0.468	48
484058 ³	S	1.322	2.227	2.231	0.375	48	• 485146	S	3.500	4.499	4.504	0.468	48
484064V	V	2.062	2.561	2.565	0.313	48	• 485147	S	2.500	3.500	3.505	0.500	48
484114 ³	S	0.625	1.625	1.629	0.250	48	• 485148	S	3.875	5.251	5.256	0.468	48
484156V ³	V	1.375	1.874	1.879	0.240	48	• 485149	S	2.625	3.751	3.756	0.500	48
• 484236V	V	1.772	2.402	2.408	0.354	48	• 485150	S	3.750	5.251	5.256	0.468	48
• 485001	S	2.500	3.543	3.548	0.500	48	• 485151	S	2.687	3.751	3.756	0.500	48
• 485002	S	2.562	3.623	3.628	0.468	48	• 485152	S	2.875	4.125	4.130	0.562	48
• 485004	S	2.750	3.751	3.756	0.500	48	• 485154	S	3.000	4.125	4.130	0.562	48
• 485006	S	2.875	3.751	3.756	0.500	48	• 485156	S	3.125	4.125	4.130	0.562	48
• 485007	S	2.625	3.876	3.881	0.468	48	• 485160	S	3.125	4.376	4.381	0.625	48
• 485009	S	2.750	3.876	3.881	0.468	48	• 485162	S	3.250	4.376	4.381	0.625	48
• 485011	S	2.875	4.003	4.008	0.468	48	• 485165	S	3.375	4.499	4.504	0.468	48
• 485011N	N	2.875	4.003	4.008	0.468	48	• 485173	S	3.500	4.751	4.756	0.625	48
• 485013	S	3.000	4.003	4.008	0.468	48	• 485175	S	3.625	4.751	4.756	0.625	48
• 485014	S	3.000	4.249	4.254	0.625	48	• 485177	S	3.750	4.751	4.756	0.625	48
• 485016	S	3.125	4.249	4.254	0.625	48	• 485179	S	3.875	4.751	4.756	0.625	48
• 485018	S	3.250	4.249	4.254	0.625	48	• 485179N	N	3.875	4.751	4.756	0.625	48
• 485019	S	3.000	4.999	5.004	0.468	48	• 485192	S	4.000	5.251	5.256	0.468	48
• 485021	S	3.125	4.999	5.004	0.468	48	• 485195	S	4.250	5.251	5.256	0.468	48

NUMERIC SECTION

Numerical List Size & Type

RADIAL SHAFT SEALS



Part No.	Lip Mat'l	Shaft Size	Hsg Bore	Seal O.D.	Seal Width	Type/ Illus.	Part No.	Lip Mat'l	Shaft Size	Hsg Bore	Seal O.D.	Seal Width	Type/ Illus.
480000 SERIES (cont.)							480000 SERIES (cont.)						
485195H ³	H	4.250	5.251	5.256	0.468	48	• 485697	S	3.875	5.125	5.131	0.500	48
• 485196	S	4.250	5.376	5.381	0.500	48	• 485725	S	5.000	6.001	6.007	0.500	48
• 485198	S	4.375	5.501	5.506	0.562	48	• 485836	S	3.000	4.003	4.008	0.437	48
• 485200	S	4.500	5.501	5.506	0.562	48	• 485852	S	3.750	5.751	5.756	0.562	48
• 485201	S	4.000	5.999	6.007	0.625	48	• 485869N	N	5.500	7.248	7.255	0.656	48
• 485205	S	4.250	5.999	6.007	0.625	48	• 485894	S	3.375	4.376	4.381	0.500	48
• 485207	S	4.375	5.999	6.007	0.625	48	• 485937	S	3.625	4.751	4.756	0.500	48
• 485209	S	4.500	5.999	6.007	0.625	48	• 485953	S	4.000	4.999	5.004	0.500	48
• 485211	S	4.625	5.999	6.007	0.625	48	• 485960	S	2.750	3.876	3.881	0.375	48
• 485213	S	4.750	5.999	6.007	0.625	48	• 485984	S	2.750	3.623	3.628	0.375	48
• 485234	S	2.250	3.623	3.628	0.468	48	• 485991N	N	3.500	4.501	4.506	0.468	48
• 485245	S	3.125	4.751	4.756	0.625	48	• 485996N	N	3.375	4.280	4.285	0.406	48
• 485259	S	2.250	3.751	3.756	0.500	48	• 486011	S	3.125	4.125	4.130	0.500	48
• 485260	S	2.062	3.623	3.628	0.468	48	• 486023	S	3.000	3.751	3.756	0.375	48
• 485262	S	3.500	5.501	5.506	0.562	48	• 486023N	N	3.000	3.751	3.756	0.375	48
• 485265	S	3.250	4.751	4.756	0.625	48	• 486041	S	3.750	4.626	4.632	0.500	48
• 485271	S	5.000	5.999	6.007	0.625	48	• 486043	S	3.875	5.751	5.756	0.562	48
• 485272	S	2.750	4.003	4.008	0.468	48	• 486047	S	3.625	4.625	4.631	0.500	48
• 485281	S	3.000	3.751	3.756	0.500	48	• 486107	S	5.500	6.750	6.757	0.575	48
• 485296	S	2.625	4.003	4.008	0.468	48	• 486125	S	3.625	4.999	5.004	0.500	48
• 485303	S	2.875	3.623	3.628	0.375	48	• 486128	S	3.875	5.501	5.506	0.562	48
• 485303N	N	2.875	3.623	3.628	0.375	48	• 486130	S	4.000	5.375	5.381	0.500	48
• 485304	S	3.250	4.249	4.254	0.500	48	• 486135	S	4.250	5.625	5.631	0.500	48
• 485315	S	2.750	3.623	3.628	0.468	48	• 486153	S	4.500	5.625	5.631	0.500	48
• 485322	S	2.750	3.543	3.548	0.500	48	• 486167	S	4.875	5.999	6.007	0.500	48
• 485328	S	3.250	5.251	5.256	0.468	48	• 486267	S	2.125	3.501	3.505	0.375	48
• 485350	S	2.187	3.623	3.628	0.468	48	• 486268	S	2.187	3.500	3.505	0.375	48
• 485354	S	3.125	4.003	4.008	0.468	48	• 486271	S	2.375	3.500	3.505	0.375	48
• 485355	S	2.875	3.876	3.881	0.468	48	• 486273	S	2.500	3.623	3.628	0.375	48
• 485364	S	2.750	3.500	3.505	0.500	48	• 486281N	N	2.750	4.125	4.130	0.562	48
• 485364N ³	N	2.750	3.500	3.505	0.500	48	• 486281V	V	2.750	4.125	4.130	0.562	48
• 485368	S	2.625	3.500	3.505	0.500	48	• 486286	S	2.875	4.249	4.254	0.625	48
• 485369	S	2.500	3.623	3.628	0.468	48	• 486287	S	3.125	4.249	4.254	0.468	48
• 485371	S	4.625	5.751	5.756	0.562	48	• 486288	S	3.125	4.249	4.254	0.500	48
• 485379	S	3.750	4.751	4.756	0.500	48	• 486294	S	3.375	4.249	4.254	0.500	48
• 485379N	N	3.750	4.751	4.756	0.500	48	• 486303	S	3.250	4.626	4.631	0.437	48
• 485389	S	3.625	4.499	4.504	0.468	48	• 486319	S	3.375	4.626	4.631	0.437	48
• 485394	S	3.125	5.251	5.256	0.468	48	• 486319V	V	3.375	4.626	4.631	0.437	48
• 485396	S	3.500	5.751	5.756	0.562	48	• 486323	S	3.375	4.751	4.756	0.625	48
• 485423	S	3.750	5.501	5.506	0.562	48	• 486327	S	3.375	5.251	5.256	0.468	48
• 485436	S	3.625	5.751	5.756	0.562	48	• 486328	S	3.500	4.626	4.631	0.437	48
• 485437	S	3.500	4.750	4.756	0.500	48	• 486332	S	3.625	4.626	4.631	0.437	48
• 485449	S	2.500	3.500	3.505	0.375	48	• 486332N	N	3.625	4.626	4.631	0.437	48
• 485458	S	2.625	3.623	3.628	0.375	48	• 486335	S	3.625	5.251	5.256	0.468	48
• 485479	S	3.000	3.876	3.881	0.468	48	• 486336	S	3.750	4.626	4.631	0.437	48
• 485483	S	2.625	3.500	3.505	0.375	48	• 486339	S	3.750	4.999	5.004	0.500	48
• 485497 ³	S	3.625	4.874	4.879	0.585	48	• 486345	S	3.875	4.999	5.004	0.500	48
• 485498	S	3.562	4.499	4.504	0.468	48	• 486370	S	3.000	4.751	4.756	0.625	48
• 485500N	N	3.298	4.125	4.130	0.562	48	• 486380	S	4.375	5.500	5.506	0.500	48
• 485559	S	3.500	5.251	5.256	0.468	48	• 486414	S	3.500	4.500	4.506	0.500	48
• 485566	S	3.250	4.125	4.130	0.562	48	• 486517	S	3.937	5.906	5.911	0.500	48
• 485613	S	3.375	4.249	4.254	0.625	48	• 486544N	N	3.750	4.751	4.756	0.375	48
• 485636	S	2.187	3.500	3.505	0.500	48	• 486556	S	4.250	5.250	5.256	0.500	48
• 485645	S	5.250	6.500	6.507	0.562	48	• 486567	S	3.375	4.370	4.375	0.250	48
• 485655	S	2.500	4.003	4.008	0.468	48	• 486624	S	3.500	4.376	4.381	0.500	48
• 485659	S	2.125	3.500	3.505	0.500	48	• 486664	S	2.750	3.500	3.505	0.375	48

NUMERIC SECTION

³Redicoat® ; • Non Stock Item - Special Order

Numerical List Size & Type

RADIAL SHAFT SEALS

NUMERIC SECTION

Part No.	Lip Mat'l	Shaft Size	Hsg Bore	Seal O.D.	Seal Width	Type/ Illus.	Part No.	Lip Mat'l	Shaft Size	Hsg Bore	Seal O.D.	Seal Width	Type/ Illus.
480000 SERIES (cont.)							480000 SERIES (cont.)						
• 486666	S	5.750	7.001	7.008	0.562	48	• 487658	S	2.634	3.937	3.942	0.375	48
486857	S	2.648	3.812	3.817	0.500	48	• 487678RRR	N	2.750	4.125	4.130	0.437	48
• 486865	S	5.000	6.250	6.256	0.500	48	• 487806	S	4.687	6.001	6.007	0.280	48
• 486888	S	4.500	5.500	5.506	0.500	48	• 487806BXR	S	4.688	6.001	6.007	0.280	48
• 486891	S	4.250	5.500	5.506	0.500	48	487945 ³	S	2.000	3.623	3.628	0.375	48
• 486892	S	4.500	5.750	5.756	0.500	48	• 488020V	V	2.875	3.740	3.746	0.551	48
• 486893	S	3.062	4.003	4.008	0.468	48	490000 SERIES						
• 486921	S	2.875	4.003	4.008	0.375	48	493291 ³	S	2.283	3.155	3.159	0.375	49
• 486923V	V	3.750	4.750	4.756	0.375	48	493524	S	2.000	2.846	2.850	0.375	49
• 486985	S	3.875	4.750	4.756	0.375	48	493637 ³	S	2.330	2.997	3.001	0.312	49
• 486985V	V	3.875	4.750	4.756	0.375	48	494117 ³	S		56,00	56,28	7,00	49
• 487034V	V	3.125	4.003	4.008	0.500	48			1.654	2.205	2.216	0.276	
• 487056	S	3.250	6.374	6.380	0.468	48	494122 ³	S		62,00	62,10	6,00	49
• 487063V	V	4.875	5.750	5.756	0.500	48			1.772	2.441	2.445	0.236	
• 487082	S	2.625	4.003	4.008	0.375	48	494123 ³	S		63,00	63,12	6,00	49
• 487119	S	3.000	4.125	4.130	0.438	48			2.008	2.480	2.485	0.236	
• 487158	S	2.875	3.876	3.881	0.375	48	600000 SERIES						
• 487162	S	3.000	4.500	4.506	0.500	48	• 600309	V	3.250	4.249	4.254	0.750	#
• 487171	S	3.125	4.375	4.381	0.500	48	• 600349	V	3.625	4.751	4.757	0.875	#
• 487172	S	3.125	4.500	4.506	0.500	48	710000 SERIES						
• 487181	S	3.250	4.376	4.381	0.500	48	710005 ³	S	1.750	3.062	3.066	0.485	86
• 487191	S	3.375	4.500	4.506	0.500	48	710006 ^{2,3}	N	2.375	4.500	4.504	1.060	74
• 487196	S	3.500	4.625	4.631	0.500	48	710008 ³	N	3.000	5.751	5.756	0.840	74
• 487205	S	3.750	4.875	4.881	0.500	48	710013	U	1.750	2.437	2.441	0.375	#
• 487211	S	3.875	4.875	4.881	0.500	48	710014	U	1.250	1.750	1.756	0.250	#
• 487247	S	4.750	6.001	6.007	0.500	48	710019	U	1.875	2.875	2.886	0.625	#
• 487250V	V	4.750	6.000	6.006	0.500	48	710022 ³	H	4.000	4.999	5.004	0.468	45
• 487254	S	5.500	6.500	6.507	0.562	48	710023	U	1.500	2.000	2.005	0.250	#
• 487262	S	5.250	6.250	6.256	0.500	48	710024	U	1.750	2.250	2.255	0.250	#
• 487278	S	5.000	6.375	6.381	0.500	48	710025	U	2.000	2.500	2.505	0.250	#
• 487316	S	2.750	3.751	3.756	0.375	48	710026	U	2.250	2.750	2.755	0.250	#
• 487319	S	3.375	4.250	4.255	0.280	48	710027	U	2.500	3.000	3.005	0.313	#
• 487343	S	2.625	3.751	3.756	0.375	48	710028	U	3.000	3.500	3.505	0.313	#
• 487344	S	2.875	3.751	3.756	0.375	48	710029	U	3.500	4.000	4.005	0.313	#
• 487344V	V	2.875	3.751	3.756	0.375	48	710030	U	3.500	4.125	4.130	0.313	#
• 487349	S	3.000	3.751	3.756	0.437	48	710034	U	2.500	3.000	3.005	0.375	#
• 487350	S	3.000	3.876	3.881	0.437	48	710038	U	2.750	3.250	3.255	0.312	#
• 487351	S	3.000	4.125	4.130	0.437	48	710041	U	2.250	2.750	2.755	0.281	#
• 487352	S	3.250	4.500	4.506	0.500	48	710043 ³	S	1.301	2.620	2.625	0.315	#
• 487353	S	3.250	4.626	4.632	0.500	48	710044	S	1.500	1.875	1.880	0.188	34
• 487354	S	3.375	4.626	4.632	0.500	48	710045	S	2.250	2.835	2.840	0.500	VRS1
• 487355	S	3.625	4.875	4.881	0.500	48	710046 ^{2,3}	S	1.552	2.447	2.452	3.934	86
• 487356	S	4.000	5.125	5.131	0.500	48	710051 ⁴	S		48,00	48,28	8,00	86
• 487357	S	4.000	5.250	5.256	0.500	48			1.378	1.890	1.901	0.315	
• 487358	S	5.250	6.375	6.381	0.500	48	710052	S		175,00	175,10	13,00	47
• 487359	S	5.250	6.625	6.632	0.562	48			6.063	6.890	6.894	0.512	
• 487360	S	5.500	6.625	6.632	0.562	48	710055	S		134,00	134,20	15,50	32
• 487361	S	5.500	6.875	6.882	0.562	48			2.598	5.276	5.283	0.610	
• 487362	S	5.750	6.750	6.757	0.575	48	710056 ^{1,3}	V		111,00	111,20	10,00	47
• 487363	S	5.750	6.875	6.882	0.562	48			3.583	4.370	4.378	0.394	
• 487364	S	5.750	7.125	7.132	0.562	48	710057	S		65,00	65,20	8,00	48
• 487365	S	6.000	7.125	7.132	0.562	48			1.417	2.559	2.567	0.315	
• 487366	S	3.875	5.250	5.256	0.500	48	710058 ³	S	1.937	2.562	2.566	0.317	48
• 487384N	N	2.750	4.375	4.380	0.625	48	710060 ¹	H		118,00	118,29	8,50	32
• 487397N	N	3.625	4.624	4.630	0.500	48			3.740	4.646	4.657	0.335	
487397V ^{2,3}	V	3.625	4.624	4.630	0.500	48							

Numerical List Size & Type

RADIAL SHAFT SEALS



Part No.	Lip Mat'l	Shaft Size	Hsg Bore	Seal O.D.	Seal Width	Type/ Illus.	Part No.	Lip Mat'l	Shaft Size	Hsg Bore	Seal O.D.	Seal Width	Type/ Illus.
710000 SERIES (cont.)							710100 SERIES (cont.)						
710062	S	1.750	2.374	2.378	0.484	#	710105 ^{3,7}	S	1.705	3.080	3.084	0.461	74
710065	S		65,00	65,23	34,00	#	710106	S	3.133	3.547	3.551	0.366	278
		1.181	2.559	2.568	1.339		710107 ⁹	S		77,00	78,00	9,00	34
710067 ^{3,7}	S	1.703	3.030	3.039	0.500	69			2.047	3.031	3.071	0.354	
710068	S	1.190	2.122	2.128	0.350	#	710108	S		76,00	76,12	12,30	66
710069 ⁴	S		72,00	72,20	8,00	87			2.205	2.992	2.997	0.484	
		2.205	2.835	2.843	0.315		710109 ⁷	N		63,00	63,09	9,00	40
710070	S		44,00	44,18	7,00	47			1.339	2.480	2.484	0.354	
		1.299	1.732	1.739	0.276		710110 ⁷	N		54,00	54,25	9,00	40
710071	S		93,00	93,28	24,00	74			1.339	2.126	2.136	0.354	
		1.969	3.661	3.672	0.945		710112 ⁷	N		80,00	80,30	16,50	40
710072 ³	S		79,00	79,28	9,00	75			1.969	3.150	3.161	0.650	
		2.244	3.110	3.121	0.354		710113	S		75,00	75,30	12,00	40
710073	S	2.126	2.965	2.972	0.472	40			1.575	2.953	2.965	0.472	
710075 ¹	V	2.832	3.625	3.635	0.375	32	710114 ²	N		59,00	59,10	10,00	98
710076	S		41,00	41,15	5,50	35			1.614	2.323	2.327	0.394	
		1.378	1.614	1.620	0.217		710115 ⁷	S		80,00	80,12	9,00	40
710077	S	3.375	3.948	3.955	0.375	32			1.732	3.150	3.154	0.354	
710078	V		62,00	62,15	8,00	47	710116	N		25,00	25,20	7,00	32
		1.772	2.441	2.447	0.315				0.551	0.984	0.992	0.276	
710080	S		113,00	113,18	12,00	90	710117	N		86,00	86,30	13,00	40
		3.150	4.449	4.456	0.472				1.969	3.386	3.398	0.512	
710081	S		100,00	100,20	8,00	32	710118	S		59,00	59,30	11,00	40
		1.929	3.937	3.945	0.315				1.535	2.323	2.335	0.433	
710083	S		172,00	172,10	14,00	47	710119	N		43,00	43,23	8,00	32
		6.063	6.772	6.776	0.551				1.102	1.693	1.702	0.315	
710084	S		140,00	140,21	10,50	47	710120	N		50,00	50,29	11,00	35
		4.724	5.512	5.520	0.413				1.535	1.969	1.980	0.433	
710085	S		132,00	132,26	12,00	90	710121	N		100,00	100,28	10,00	56
		3.740	5.197	5.207	0.472				2.323	3.937	3.948	0.394	
710086	S		122,00	122,25	8,00	32	710122	N		57,00	57,20	15,00	40
		2.205	4.803	4.813	0.315				1.535	2.244	2.252	0.591	
710087	S		112,00	112,17	10,00	45	710123	N		57,00	57,20	11,00	40
		2.953	4.409	4.416	0.394				1.535	2.244	2.252	0.433	
710088	S		128,00	128,27	11,00	90	710124	N		59,00	59,20	11,00	40
		3.346	5.039	5.050	0.433				1.299	2.323	2.331	0.433	
710089	S		173,00	173,80	28,00	90	710125	S		74,00	74,20	8,00	47
		4.646	6.811	6.843	1.102				2.205	2.913	2.921	0.315	
710091 ³	S	2.700	3.499	3.504	0.310	272	710127	S		68,00	68,20	8,00	74
710092 ³	S		85,00	85,12	8,00	41			2.165	2.677	2.685	0.315	
		2.598	3.346	3.351	0.315		710128	S	1.811	2.732	2.740	0.394	40
710093	S		75,00	75,16	5,80	47	710130	S		77,00	77,20	8,00	56
		2.362	2.953	2.959	0.228				2.520	3.031	3.039	0.315	
710094	S		82,00	82,20	7,00	66	710132	N		56,00	56,23	8,00	40
		2.559	3.228	3.236	0.276				1.299	2.008	2.214	0.315	
710095	S	1.775	1.970	1.970	0.365	35	710133	N		90,00	90,09	9,00	32
710096 ^{3,7}	N	1.378	2.240	2.246	0.764	74			1.654	3.543	3.547	0.354	
710097 ⁷	S		56,00	56,21	6,00	74	710134	S		56,00	56,20	10,00	40
		1.654	2.205	2.213	0.236				1.575	2.205	2.213	0.394	
710098	S		64,00	64,20	6,50	71	710136	S		75,00	75,31	7,00	35
		1.969	2.520	2.528	0.256				2.283	2.953	2.965	0.276	
710100 SERIES							710137	S		74,00	74,20	9,00	40
710101 ⁷	S	1.250	2.398	2.402	0.228	74			1.969	2.913	2.921	0.354	
710102	S	1.650	2.410	2.414	0.361	74	710138 ⁷	S		63,00	63,20	9,00	40
710103	S	3.142	3.733	3.736	0.565	278			1.378	2.480	2.488	0.354	
710104	S		123,00	123,30	11,00	40	710139	N		58,00	58,27	10,00	40
		2.244	4.843	4.854	0.433				1.496	2.283	2.294	0.394	

NUMERIC SECTION

¹Counter-Clockwise-Spiral Lip Design; ²Clockwise-Spiral Lip Design; ³Redicoat®; ⁴Flanged O.D.; ⁷Bi-Directional Lip Design; ⁹External Bore

Numerical List Size & Type

RADIAL SHAFT SEALS

NUMERIC SECTION

Part No.	Lip Mat'l	Shaft Size	Hsg Bore	Seal O.D.	Seal Width	Type/ Illus.	Part No.	Lip Mat'l	Shaft Size	Hsg Bore	Seal O.D.	Seal Width	Type/ Illus.
710100 SERIES (cont.)							710100 SERIES (cont.)						
710141 ¹	N	61,00	61,20	8,00	40		710183	S	76,00	76,10	6,50	66	
		1.614	2.402	2.409	0.315				2.283	2.992	2.996	0.256	
710142 ⁷	S	70,00	70,20	9,00	40		710184	N	56,00	56,20	7,00	47	
		1.693	2.756	2.764	0.354				1.850	2.205	2.213	0.276	
710143	S	84,00	84,20	11,00	40		710185	S	94,00	94,30	10,00	35	
		1.850	3.307	3.315	0.433				2.047	3.701	3.713	0.394	
710144 ¹	S	78,00	78,20	10,00	40		710187 ²	N	70,00	70,27	8,50	32	
		2.283	3.071	3.079	0.394				2.047	2.756	2.766	0.335	
710146	S	76,00	76,14	6,00	72		710188 ¹	V	106,00	106,28	8,50	32	
		2.205	2.992	2.988	0.236				3.465	4.173	4.184	0.335	
710147	S	60,00	60,20	8,00	40		710189 ¹	V	105,00	105,20	10,00	47	
		1.575	2.362	2.370	0.315				3.504	4.134	4.142	0.394	
710148	S	1.929	2.843	2.854	0.315	97	710190 ²	H	68,00	68,43	8,00	32	
710150	S	80,00	80,20	12,70	51				2.047	2.677	2.694	0.315	
		1.850	3.150	3.157	0.500		710191	S	64,00	64,08	7,00	25	
710151	S	65,00	65,10	12,00	47				1.850	2.520	2.523	0.276	
		1.378	2.559	2.563	0.472		710192	S	60,00	60,25	6,00	32	
710153	S	1.043	1.732	1.748	0.315	32			1.969	2.362	2.372	0.236	
710154	S	38,00	38,20	7,00	32		710193	S	59,00	59,28	7,50	32	
		0.748	1.496	1.504	0.276				1.772	2.323	2.334	0.295	
710156	S	32,00	32,10	7,50	32		710194	S	68,00	68,27	7,00	32	
		0.709	1.260	1.264	0.295				1.969	2.677	2.688	0.276	
710157 ²	S	43,00	43,23	7,00	32		710195	S	76,00	76,28	12,00	40	
		1.102	1.693	1.702	0.276				1.654	2.992	3.003	0.472	
710159	N	1.693	2.302	2.308	0.295	72	710196	V	62,00	62,27	10,00	32	
710160	S	66,00	66,24	7,50	32				1.575	2.441	2.452	0.394	
		1.772	2.598	2.608	0.295		710197	N	54,00	54,28	7,00	40	
710161	S	1.811	2.697	2.705	0.295	32			1.417	2.126	2.137	0.276	
710162 ³	V	1.937	2.750	2.754	0.313	48	710198	S	1.565	2.372	2.382	0.394	40
710163	R	1.937	2.650	2.655	0.360	#	710199 ⁷	N	54,00	54,10	10,00	86	
710164 ³	V	50,00	50,14	8,00	48				1.378	2.126	2.130	0.394	
		1.260	1.969	1.974	0.315		710200 SERIES						
710166 ³	S	1.399	2.290	2.294	0.500	74	710202	S	1.628	2.125	2.131	0.342	30
710167 ⁷	S	64,00	64,20	13,00	75		710204	S	1.625	2.282	2.286	0.313	48
		1.890	2.520	2.528	0.512		710207	S	72,00	72,28	10,00	40	
710168 ³	S	75,00	75,11	10,00	47				1.654	2.835	2.846	0.394	
		2.323	2.953	2.957	0.394		710208	S	92,00	92,28	12,50	40	
710169 ⁷	S	67,00	67,20	5,50	35				1.732	3.622	3.633	0.492	
		2.205	2.638	2.646	0.217		710211 ²	N	1.875	2.677	2.681	0.375	74
710170	S	88,00	88,00	7,00	47		710213	S	78,00	78,10	7,00	281	
		2.402	3.465	3.465	0.276				2.441	3.071	3.075	0.276	
710171	N	2.200	2.804	2.809	0.300	47	710214	N	59,00	59,28	11,00	40	
710172	V	42,00	42,21	8,00	35				1.535	2.323	2.334	0.433	
		1.220	1.654	1.662	0.315		710215	S	66,00	66,10	11,00	66	
710173 ²	N	70,00	70,20	10,00	40				1.850	2.598	2.602	0.433	
		1.969	2.756	2.764	0.394		710217	S	54,00	54,10	8,00	74	
710175	S	2.087	2.685	2.696	0.276	32			1.378	2.126	2.130	0.315	
710176	S	74,00	74,14	8,50	87		710218	V	56,00	56,10	16,00	32	
		2.205	2.913	2.919	0.335				1.378	2.205	2.209	0.630	
710177	N	91,00	91,20	6,00	87		710220 ²	N	62,00	62,23	9,00	32	
		3.031	3.583	3.591	0.236				1.614	2.441	2.450	0.354	
710178	S	49,00	49,30	8,00	32		710221	N	56,00	56,10	5,00	47	
		1.378	1.929	1.941	0.315				1.654	2.205	2.209	0.197	
710179 ²	S	1.654	2.551	2.555	0.531	32	710222	S	26,00	26,10	4,00	98	
710180 ²	V	3.250	3.879	3.881	0.375	48			0.709	1.024	1.028	0.157	
710182	S	86,00	86,10	7,00	66		710223	S	56,00	56,10	8,50	62	
		2.362	3.386	3.390	0.276				1.693	2.205	2.209	0.335	

Numerical List Size & Type

RADIAL SHAFT SEALS



Part No.	Lip Mat'l	Shaft Size	Hsg Bore	Seal O.D.	Seal Width	Type/ Illus.	Part No.	Lip Mat'l	Shaft Size	Hsg Bore	Seal O.D.	Seal Width	Type/ Illus.	
710200 SERIES (cont.)							710200 SERIES (cont.)							
710225	S		80,00	80,10	8,00	48	710266	S		154,00	154,10	8,00	98	
		2.244	3.150	3.154	0.315				3.661	6.063	6.067	0.315		
710226 ⁷	S		67,00	67,26	8,00	32	710268 ¹	N		103,00	103,20	11,00	40	
		1.969	2.638	2.648	0.315				2.283	4.055	4.063	0.433		
710227	S		62,00	62,30	6,50	32	710271 ¹	S		74,00	74,20	10,00	32	
		1.575	2.441	2.453	0.256				2.283	2.913	2.921	0.394		
710228	S		62,00	62,23	10,00	40	710272	N		0.736	1.378	1.386	0.276	32
		1.457	2.441	2.450	0.394		710274	V		0.610	1.102	1.106	0.600	62
710230	S		76,00	76,23	7,80	32	710275 ²	N		124,00	124,10	11,50	40	
		2.283	2.992	3.001	0.307				2.677	4.882	4.886	0.453		
710231	S	2.323	3.083	3.093	0.315	32	710277	N	2.520	5.217	5.224	0.512	32	
710232 ¹	V		104,00	104,23	11,00	32	710278	N		145,00	145,10	15,00	59	
		3.386	4.094	4.104	0.433				3.937	5.709	5.713	0.591		
710233 ²	N	1.516	2.087	2.096	0.315	32	710279 ¹	V		70,00	70,20	8,00	32	
710234 ¹	N		84,00	84,23	8,50	32			2.165	2.756	2.764	0.315		
		2.677	3.307	3.316	0.335		710281 ³	S	1.940	2.900	2.905	0.400	74	
710235 ¹	H		103,00	103,23	10,00	32	710282	S	1.280	1.654	1.661	0.276	32	
		3.386	4.055	4.064	0.394		710283	N		90,00	90,10	9,00	62	
710236 ²	N		49,00	49,23	8,00	32			1.732	3.543	3.547	0.354		
		1.299	1.929	1.938	0.315		710285	S	1.125	1.630	1.634	0.313	32	
710237 ¹	V		104,00	104,10	11,00	32	710286 ⁷	N		67,00	67,20	10,00	32	
		3.543	4.094	4.098	0.433				1.654	2.638	2.646	0.394		
710239	N		69,00	69,23	7,50	40	710287 ⁷	N		54,00	54,20	10,00	32	
		2.126	2.717	2.726	0.295				1.575	2.126	2.134	0.394		
710240 ⁹	S		87,00	87,20	7,00	35	710288 ¹	V		114,00	114,33	13,00	32	
		2.953	3.425	3.433	0.276				3.661	4.488	4.501	0.512		
710241	S	1.628	2.278	2.282	0.343	68	710289 ²	V		67,00	67,20	8,00	32	
710245 ²	N		76,00	76,10	14,00	40			1.772	2.638	2.646	0.315		
		1.654	2.992	2.996	0.551		710290 ¹	V		124,00	124,20	13,00	32	
710246	N		90,00	90,28	12,00	40			3.937	4.882	4.890	0.512		
		1.654	3.543	3.554	0.472		710292 ⁷	S		68,00	68,10	8,00	40	
710247 ²	N		49,00	49,20	8,00	62			2.047	2.677	2.681	0.315		
		1.496	1.929	1.937	0.315		710293	S	3.197	3.516	3.520	0.063	32	
710248 ²	N		78,00	78,10	11,00	66	710295	S		123,00	123,10	11,00	47	
		1.772	3.071	3.075	0.433				4.213	4.843	4.846	0.433		
710250	N		70,00	70,20	14,50	91	710296	S	1.890	4.272	4.280	0.472	32	
		1.575	2.756	2.764	0.571		710297	S		23,00	23,20	4,00	34	
710251	N		34,00	34,10	7,90	47			0.709	0.906	0.913	0.157		
		0.669	1.339	1.343	0.311		710298 ²	N		63,00	63,20	9,00	40	
710252	S		44,00	44,23	5,00	32			1.654	2.480	2.488	0.354		
		1.417	1.732	1.741	0.197		710299	N	0.689	1.083	1.091	0.276	32	
710253 ⁹	S		62,00	63,00	5,50	34	710300 SERIES							
		2.047	2.441	2.480	0.217		710300	S		55,00	55,20	9,00	47	
710254	S	0.905	1.252	1.260	0.217	34			1.575	2.165	2.173	0.354		
710255	S		70,00	70,20	8,60	32	710303	S	1.004	1.516	1.524	0.335	35	
		1.929	2.756	2.764	0.339		710304	S	1.479	2.563	2.567	0.470	49	
710258 ¹	V		135,00	135,20	10,00	32	710305	S		70,00	70,10	12,50	40	
		4.528	5.315	5.323	0.394				1.929	2.756	2.760	0.492		
710259 ⁷	V		56,00	56,20	12,50	32	710306 ¹	S		52,00	52,20	11,00	32	
		1.457	2.205	2.213	0.492				1.260	2.047	2.055	0.433		
710261 ¹	V	0.626	2.205	2.213	0.256	32	710308 ²	N		52,00	52,20	6,00	32	
710262 ¹	V		116,00	116,26	9,00	32			1.575	2.047	2.055	0.236		
		3.780	4.567	4.577	0.354		710309	S		52,00	52,20	6,00	32	
710263 ^{2,3}	N	2.000	2.625	2.630	0.312	47			1.496	2.047	2.055	0.236		
710264 ²	H		55,00	55,20	8,00	32	710310 ²	N		47,00	47,20	6,00	32	
		1.693	2.165	2.173	0.236				1.260	1.850	1.858	0.236		
710265	N		66,00	66,20	6,50	35	710311	S		54,00	54,10	7,00	25	
		2.008	2.598	2.606	0.256				1.575	2.126	2.130	0.276		

NUMERIC SECTION

¹Counter-Clockwise-Spiral Lip Design; ²Clockwise-Spiral Lip Design; ³Redicoat®; ⁷Bi-Directional Lip Design; ⁹External Bore

Numerical List Size & Type

RADIAL SHAFT SEALS

NUMERIC SECTION

Part No.	Lip Mat'l	Shaft Size	Hsg Bore	Seal O.D.	Seal Width	Type/ Illus.	Part No.	Lip Mat'l	Shaft Size	Hsg Bore	Seal O.D.	Seal Width	Type/ Illus.	
710300 SERIES (cont.)							710300 SERIES (cont.)							
710312	S		68,00	68,20	13,00	32	710371	S		114,00	114,10	10,00	25	
		2.047	2.677	2.685	0.512				3.976	4.488	4.492	0.394		
710313 ²	S		70,00	70,20	12,00	32	710373	S		85,00	85,10	10,00	47	
		1.890	2.756	2.764	0.472				2.559	3.346	3.350	0.394		
710314 ¹	N		56,00	56,20	8,00	40	710383	S		44,00	44,10	7,00	47	
		1.378	2.205	2.213	0.315				1.378	1.732	1.736	0.276		
710315 ²	S		56,00	56,20	8,00	40	710384	S		100,00	100,10	13,00	25	
		1.378	2.205	2.213	0.315				2.953	3.937	3.941	0.512		
710316 ²	S		40,00	40,20	8,00	32	710385	S		1.772	2.000	2.175	0.200	273
		0.984	1.575	1.583	0.315				1.688	2.561	2.565	0.374	47	
710317 ¹	S		48,00	48,20	10,00	32	710387	S		1.875	2.717	2.725	0.394	32
		1.260	1.890	1.898	0.394		710388 ²	S		1.750	2.500	2.504	0.484	7S
710318 ²	N		58,00	58,10	11,00	47	710389	S		74,00	74,10	8,50	90	
		1.516	2.283	2.291	0.433		710392	S		2.441	2.913	2.917	0.335	
710319	S		58,00	58,10	11,00	47			2.205	2.835	2.843	0.315		
		1.496	2.283	2.287	0.433		710393	S		62,00	62,20	20,50	47	
710320	S		62,00	62,10	9,00	48			1.811	2.441	2.449	0.807		
		1.890	2.441	2.445	0.354		710394	S		56,00	56,20	9,00	40	
710323	S		63,00	63,20	8,50	49			1.378	2.205	2.213	0.354		
		2.008	2.480	2.488	0.335		710396 ⁷	S		1.831	3.543	3.551	0.433	#
710324 ¹	S		50,00	50,20	11,00	32	710397	N		72,00	72,20	10,00	40	
		1.378	1.969	1.976	0.433				1.969	2.835	2.843	0.394		
710325 ²	S		40,00	40,20	8,00	32	710398	S		42,00	42,20	8,00	32	
		1.102	1.575	1.583	0.315				1.024	1.654	1.662	0.315		
710329 ¹	H		50,00	50,20	8,00	32	710400 SERIES							
		1.378	1.969	1.976	0.315		710401	S		37,00	37,30	3,50	35	
710330	N		112,00	112,20	5,00	44			1.181	1.457	1.461	0.138		
		3.346	4.409	4.417	0.197		710402	S		68,00	68,20	13,00	32	
710331 ¹	V		54,00	54,20	8,00	32			1.614	2.677	2.685	0.512		
		1.378	2.126	2.134	0.315		710403	S		1.625	2.440	2.444	0.472	#
710332 ¹	H		46,00	46,20	8,00	32	710404	S		54,00	54,10	6,00	49	
		1.220	1.811	1.819	0.315				1.535	2.126	2.130	0.236		
710334 ¹	N		86,00	86,20	8,00	32	710405	S		146,00	146,10	14,00	47	
		2.677	3.386	3.394	0.315				4.882	5.748	5.752	0.551		
710336 ¹	N		68,00	68,20	9,00	40	710406	S		170,00	170,10	14,00	47	
		1.378	2.677	2.685	0.354				5.512	6.693	6.697	0.551		
710337	S		1.850	2.843	2.850	0.236	40	710407	S		62,00	62,10	7,00	33
710338	S		52,00	52,10	6,00	66			2.008	2.441	2.445	0.276		
		1.535	2.047	2.051	0.236		710409 ⁹	S		1.813	2.408	2.413	0.300	91
710343	S		46,00	46,10	9,00	33	710412	S		0.709	1.339	1.346	0.315	32
		1.417	1.811	1.815	0.354				2.185	3.142	3.148	0.413	40	
710345 ²	N		68,00	68,20	12,00	32	710414	T		1.500	2.500	2.512	0.354	35
		1.772	2.677	2.685	0.472		710415 ²	S		50,00	50,23	8,00	32	
710352 ¹	V		113,00	113,10	10,00	47			1.260	1.969	1.978	0.315		
		3.740	4.449	4.453	0.394		710416	S		48,00	48,28	7,50	35	
710354 ²	N		65,00	65,20	8,00	32			1.339	1.890	1.901	0.295		
		1.969	2.559	2.567	0.315		710418	N		53,00	53,28	8,00	32	
710355 ²	N		1.457	1.988	1.996	0.276	32			1.339	2.087	2.098	0.315	
710356 ²	V		60,00	60,20	6,50	32	710419	S		63,00	63,28	10,00	68	
		1.890	2.362	2.370	0.276				1.378	2.480	2.491	0.394		
710357	S		67,00	67,20	9,00	47	710421	S		152,00	152,30	12,00	47	
		1.969	2.638	2.646	0.354				5.433	5.984	5.996	0.472		
710361	S		0.669	0.819	0.823	0.122	44	710422	S		62,00	62,20	10,00	35
710363 ¹	V		118,00	118,10	7,00	32			1.339	2.441	2.449	0.394		
		3.307	4.646	4.650	0.276		710423 ⁷	S		53,00	53,20	6,50	#	
710365 ⁹	S		2.000	2.720	2.725	0.210	46			1.772	2.087	2.094	0.256	
710369	S		164,00	164,10	14,00	47								
		5.709	6.457	6.461	0.551									

Numerical List Size & Type

RADIAL SHAFT SEALS



Part No.	Lip Mat'l	Shaft Size	Hsg Bore	Seal O.D.	Seal Width	Type/ Illus.	Part No.	Lip Mat'l	Shaft Size	Hsg Bore	Seal O.D.	Seal Width	Type/ Illus.	
710400 SERIES (cont.)							710400 SERIES (cont.)							
710424	S		60,00	60,23	10,00	35	710471 ¹	N		120,00	120,32	9,50	32	
		1.378	2.362	2.371	0.394				3.937	4.724	4.737	0.374		
710425	S	5.428	6.500	6.505	0.420	230	710472 ¹	N		72,00	72,14	8,50	32	
710426 ^{7,13}	S	1.500	2.375	2.389	0.433	40			1.811	2.835	2.840	0.335		
710428 ⁷	V	1.732	2.614	2.621	0.394	87	710473	T	5.039	5.920	5.925	0.850	32	
710429	V	1.380	2.288	2.291	0.750	87	710474	N	1.732	2.653	2.657	0.375	85	
710430	S	2.394	2.697	2.705	0.433	#	710476 ⁷	N	1.720	2.921	2.922	0.468	72	
710431 ⁷	S	1.684	2.499	2.504	0.433	79	710477	S	3.189	3.801	3.809	0.630	281	
710432	S		57,00	57,20	10,00	32	710478	N		65,00	65,28	7,00	48	
		1.575	2.244	2.252	0.394				2.126	2.559	2.570	0.276		
710434	N		101,00	101,30	9,00	74	710479	S		55,00	55,32	11,00	65	
		3.150	3.976	3.988	0.354				1.417	2.165	2.178	0.433		
710436 ²	N	1.594	2.067	2.075	0.236	35	710480 ⁷	V	1.732	2.614	2.621	0.450	85	
710437	S		75,00	75,10	9,00	47	710481 ⁷	V	1.893	2.811	2.816	0.458	85	
		1.969	2.953	2.957	0.354				1.552	3.160	3.165	0.546	86	
710439	S		73,00	73,10	8,50	74	710482	V		58,00	58,29	7,00	32	
		2.283	2.874	2.878	0.335				1.772	2.283	2.295	0.276		
710441	N	1.484	2.375	2.388	0.433	79	710485	N	1.996	2.745	2.753	0.315	75	
710442 ²	N		59,00	59,10	7,00	48	710486 ¹	V		72,00	72,24	8,00	32	
		1.654	2.323	2.327	0.276				1.535	2.835	2.844	0.315		
710444 ¹	S		54,00	54,20	6,00	32	710487 ¹	V		72,00	72,20	8,00	32	
		1.575	2.126	2.134	0.236				1.732	2.835	2.843	0.315		
710445	S	0.748	1.375	1.378	0.315	35	710489	V	1.375	2.402	2.225	0.602	74	
710446 ²	S		88,00	88,20	8,00	35	710491	N		69,00	69,20	13,50	32	
		2.677	3.465	3.472	0.315				1.575	2.717	2.724	0.531		
710447 ^{2,3}	N	2.000	2.745	2.750	0.369	47	710492	N	1.575	2.618	2.626	0.748	#	
710449	T		140,00	140,20	10,00	40	710493	N	2.874	4.448	4.470	0.827	#	
		3.543	5.512	5.520	0.394		710494	N	2.874	4.448	4.470	1.163	#	
710450 ²	N		32,00	32,21	5,00	32				73,00	73,25	14,53	85	
		0.787	1.260	1.268	0.197		710495	V		1.811	2.874	2.884	0.572	
710451 ²	N	1.535	2.094	2.098	0.315	32	710496	V	1.886	2.697	2.701	0.469	72	
710452 ³	V	1.875	3.160	3.165	0.530	72	710497 ⁷	N		61,00	61,14	16,00	32	
710453	N	1.890	2.810	2.815	0.700	40			1.614	2.402	2.407	0.630		
710454 ^{3,7}	V	3.500	4.682	4.688	0.451	86	710498 ⁷	N	1.700	2.559	2.568	0.480	74	
710455	S	1.260	1.850	1.858	0.339	#	710500 SERIES							
710456	S		90,00	94,20	10,50	48	710501	S	1.850	2.440	2.445	0.405	48	
		2.756	3.543	3.709	0.409		710502	S	1.688	2.547	2.551	0.595	74	
710457	V	3.000	4.003	4.008	0.312	86	710504	S	1.142	1.466	1.474	0.197	35	
710458	N		146,00	146,30	10,00	47	710505	S	1.575	2.283	2.293	0.236	32	
		5.000	5.748	5.760	0.394		710506 ²	S	2.125	2.756	2.764	0.469	86	
710459	S		65,00	65,15	36,50	91				2.088	2.911	2.915	0.500	71
		1.929	2.560	2.565	1.437		710507	S		2.324	3.541	3.546	0.591	86
710460 ¹	H		43,00	43,74	8,00	32	710508 ²	V		43,00	43,20	7,00	32	
		1.142	1.693	1.722	0.315		710511 ²	N		1.063	1.693	1.701	0.276	
710461	V	1.552	3.160	3.165	0.630	72	710512 ¹	N		58,00	58,20	8,50	40	
710462	V		95,00	95,20	10,50	32			1.575	2.283	2.291	0.335		
		2.953	3.740	3.748	0.413		710516	S	1.181	2.409	2.417	0.354	40	
710463	S	2.205	2.846	2.854	0.315	32				58,00	58,20	12,00	32	
710464	S	2.205	2.846	2.854	0.315	40			1.654	2.283	2.291	0.472		
710465 ¹	V		94,00	94,31	8,50	32	710518	N		114,00	114,30	12,00	47	
		2.992	3.701	3.713	0.335				3.937	4.488	4.500	0.472		
710466 ³	V	3.937	5.126	5.133	0.562	47	710519	S	2.561	3.976	3.979	0.531	35	
710467	N		75,00	75,20	8,00	47	710520 ⁷	V		116,00	116,28	10,00	32	
		2.165	2.953	2.961	0.315				3.858	4.567	4.578	0.394		
710468	N		73,00	73,20	11,00	32	710521	V		63,00	63,20	7,50	32	
		2.362	2.874	2.881	0.433				1.772	2.480	2.488	0.295		
710469	N		52,00	52,12	6,40	32								
		1.260	2.047	2.052	0.252									

NUMERIC SECTION

¹Counter-Clockwise-Spiral Lip Design; ²Clockwise-Spiral Lip Design; ³Redicoat®; ⁷Bi-Directional Lip Design; ¹³Triple Lip Design

Numerical List Size & Type

RADIAL SHAFT SEALS

NUMERIC SECTION

Part No.	Lip Mat'l	Shaft Size	Hsg Bore	Seal O.D.	Seal Width	Type/ Illus.	Part No.	Lip Mat'l	Shaft Size	Hsg Bore	Seal O.D.	Seal Width	Type/ Illus.
710500 SERIES (cont.)							710500 SERIES (cont.)						
710522	S	2.087	71,00 2.795	71,10 2.799	9,00 0.354	35	710566	S	1.470	2.913	2.920	0.383	79
710523	S	1.575	72,00 2.835	72,20 2.843	11,00 0.433	40	710567	N	1.890	2.875	2.883	0.417	41
710524	V	1.496	55,00 2.165	55,28 2.176	8,00 0.315	48	710568 ⁷	N	2.854	3.932	3.942	0.630	
710525 ²	S	1.732	74,00 2.913	74,20 2.921	11,00 0.433	40	710569	S	3.425	107,00 4.213	107,20 4.220	11,00 0.433	62
710526 ¹	V	3.898	119,00 4.685	119,10 4.689	9,50 0.374	32	710570	N	2.717	86,00 3.386	86,20 3.394	7,00 0.276	62
710527	S	2.047	69,00 2.717	69,20 2.724	15,00 0.591	32	710571	N	3.543	108,00 4.252	108,20 4.260	10,00 0.394	280
710528	S	2.402	3.071	3.079	0.531	35	710572	N	2.402	78,00 3.071	78,20 3.079	7,00 0.276	47
710529	S	1.969	2.571	2.583	0.315	32	710573	S	2.856	3.525	3.537	0.252	62
710530	N	1.575	2.618	2.626	0.748	#	710574 ⁷	S	2.126	64,00 2.520	64,25 2.530	9,00 0.354	40
710531	V	1.480	1.929	1.941	0.295	32	710575	N	2.283	70,00 2.756	70,10 2.760	7,00 0.276	48
710532	N	1.520	2.656	2.660	0.425	75	710576 ⁷	N	2.480	78,00 3.071	78,20 3.079	9,00 0.354	47
710533 ³	V	2.063	3.000	3.007	0.394	75	710577	V	2.480	4.035	4.043	0.486	87
710535 ²	N	1.614	2.435	2.440	0.299	32	710578 ⁷	N	2.205	2.876	2.874	0.413	48
710536 ⁷	V	1.943	2.913	2.921	0.453	86	710582 ⁷	V	1.535	63,00 2.480	63,20 2.488	8,60 0.339	32
710537 ⁷	N	2.087	3.176	3.181	0.433	72	710583 ⁷	N	1.378	71,00 2.795	71,33 2.808	10,50 0.413	40
710538 ¹	V	1.693	75,00 2.953	75,35 2.967	10,00 0.394	32	710584	S	2.425	3.425	3.435	0.276	74
710539 ²	V	1.575	60,00 2.362	60,12 2.367	5,50 0.217	32	710585	T	3.504	108,00 4.252	108,20 4.260	12,70 0.500	32
710542 ⁷	V	1.700	2.660	2.666	0.430	85	710586 ⁷	V	2.870	3.876	3.881	0.354	56
710543	V	0.472	19,00 0.748	19,23 0.757	7,50 0.295	97	710587	S	3.465	105,00 4.134	107,95 4.250	10,00 0.394	32
710544	S	0.472	0.748	0.757	0.295	97	710588 ¹⁴	N	2.087	73,00 2.874	73,20 2.882	10,00 0.394	32
710545	N	0.433	19,00 0.748	19,15 0.754	5,00 0.197	31	710589 ⁷	S	2.087	71,00 2.795	71,14 2.801	11,50 0.453	47
710546 ⁷	N	1.378	71,00 2.795	71,30 2.807	13,00 0.512	74	710590 ⁷	V	1.693	63,00 2.480	63,20 2.488	8,60 0.339	32
710547	S	1.521	2.661	2.669	0.445	75	710591 ¹	V	1.575	75,00 2.953	75,15 2.959	13,50 0.532	87
710548	S	1.575	69,00 2.717	69,20 2.724	15,40 0.606	32	710592 ¹	V	1.417	67,00 2.638	67,20 2.646	12,00 0.472	87
710549 ¹	V	1.682	2.660	2.668	0.383	74	710594 ⁷	N	1.496	65,00 2.559	65,21 2.567	10,00 0.394	40
710550 ²	V	1.654	53,00 2.087	53,12 2.091	7,00 0.276	32	710595 ⁷	V	1.850	3.154	3.161	0.394	40
710551 ²	T	1.929	59,00 2.323	59,20 2.331	10,50 0.413	#	710596 ⁷	S	1.850	69,00 2.717	69,24 2.726	10,00 0.394	40
710552 ¹	T	4.331	130,00 5.118	130,15 5.124	13,00 0.512	34	710597	N	0.750	1.000	1.008	0.225	32
710553 ²	V	1.004	1.476	1.484	0.217	32	710598 ⁷	V	1.575	56,00 2.205	56,20 2.213	8,00 0.315	40
710554 ²	N	2.815	85,00 2.795	85,20 3.354	10,00 0.394	32	710540 SERIES						
710555 ²	T	2.062	2.620	2.632	0.355	34	710540 ⁷	N	1.575	56,00 2.206	56,12 2.209	10,00 0.394	57
710556	N	5.118	150,00 5.906	150,30 5.917	10,00 0.394	47	710600 SERIES						
710557 ²	S	1.875	2.622	2.633	0.415	74	710600 ¹⁵	T	3.740	118,00 4.646	118,60 4.669	8,50 0.335	32
710558 ⁷	T	2.125	2.914	2.920	0.469	74	710601 ¹	T	2.992	111,00 4.370	111,20 4.378	13,00 0.512	47
710561 ²	V	2.059	2.846	2.852	0.398	74							
710562	S	6.775	7.875	7.880	0.360	230							
710563 ⁷	N	2.854	4.252	4.262	0.740	47							
710564 ⁷	V	2.854	3.878	3.888	0.433	74							
710565	N	1.927	2.910	2.920	1.210	49							

Numerical List Size & Type

RADIAL SHAFT SEALS

TIMKEN®

Part No.	Lip Mat'l	Shaft Size	Hsg Bore	Seal O.D.	Seal Width	Type/ Illus.	Part No.	Lip Mat'l	Shaft Size	Hsg Bore	Seal O.D.	Seal Width	Type/ Illus.
710600 SERIES (cont.)							710600 SERIES (cont.)						
710602 ¹	T	3.228	3.790	3.798	0.354	32	710642	S		52,00	52,20	7,00	32
710603 ¹	T		128,00	128,20	11,00	32			1.496	2.047	2.055	0.276	
		4.094	5.039	5.047	0.433		710643	E	0.463	0.736	0.744	0.232	#
710604 ²	V	2.058	2.622	2.628	0.311	32	710644 ²	V		68,00	68,30	7,00	32
710605 ²	T	1.512	2.322	2.337	0.339	32			1.890	2.677	2.689	0.276	
710607 ²	T	2.333	3.000	3.008	0.327	35	710645	N	1.937	2.683	2.700	0.512	#
710608 ²	N		58,00	58,22	7,00	35	710646	E	1.928	2.795	2.801	0.456	#
		1.693	2.283	2.292	0.276		710647 ^{2,3}	N	1.750	2.875	2.888	0.472	#
710610 ¹	T		88,00	88,20	10,00	32	710648	N	1.240	2.402	2.409	0.492	#
		2.559	3.465	3.472	0.394		710649 ⁷	N		70,00	70,23	9,00	48
710611 ²	V	1.437	1.988	1.992	0.276	32			1.969	2.765	2.756	0.354	
710613 ²	N		50,00	50,22	8,00	32	710651 ⁷	N		65,00	65,25	10,00	32
		1.496	1.969	1.977	0.315				1.969	2.559	2.569	0.394	
710614 ¹	V		98,00	98,20	8,00	32	710652	V	2.126	2.875	2.879	0.437	#
		3.150	3.858	3.866	0.315		710653 ⁷	V	2.122	3.030	3.040	0.430	87
710615 ²	V		60,00	60,30	7,00	32	710654 ⁷	V	1.870	2.780	2.794	0.315	72
		1.693	2.362	2.374	0.276		710655	N	1.189	1.496	1.506	0.217	#
710616 ⁷	N		54,00	54,20	9,50	40	710656 ⁷	N		83,00	83,19	8,00	74
		1.378	2.126	2.134	0.374				1.378	3.268	3.275	0.315	
710617 ¹	T		131,00	131,40	16,00	32	710657 ²	N	1.552	2.447	2.452	0.394	86
		3.346	5.157	5.173	0.630		710658 ⁷	N	1.886	2.750	2.756	0.335	32
710618 ²	T		48,00	48,13	10,00	32	710659 ⁷	V	1.625	2.440	2.446	0.417	66
		1.378	1.890	1.895	0.394		710660	V	1.886	2.697	2.705	0.457	79
710619 ⁷	E		58,00	58,20	10,00	32	710661 ⁷	N	1.886	2.750	2.756	0.512	40
		1.496	2.283	2.291	0.394		710662 ⁷	V	1.457	3.087	3.095	0.433	85
710620 ²	V		55,00	55,20	6,00	32	710663 ⁷	V	1.177	2.559	2.572	0.433	85
		1.654	2.165	2.173	0.236		710664	N	1.886	2.750	2.756	0.472	#
710621 ¹	V		117,00	117,20	8,50	32	710665 ²	N		70,00	70,13	14,00	40
		3.307	4.606	4.614	0.335				1.772	2.756	2.761	0.551	
710623 ²	V	2.294	3.228	3.236	0.352	32	710666 ¹	N		56,00	56,20	12,00	40
710625	N	2.421	2.998	3.006	0.276	90			1.378	2.205	2.213	0.472	
710626	N		100,00	100,20	8,00	#	710667 ¹	V		78,00	78,50	10,00	40
		3.268	3.937	3.945	0.315				2.283	3.071	3.091	0.394	
710627	V	1.929	2.685	2.698	0.374	32	710668 ⁷	V	1.376	2.559	2.567	0.398	40
710628 ^{1,3}	N	1.500	2.247	2.253	0.239	75	710669 ¹	V		110,00	110,30	8,50	35
710629 ¹	N		76,00	76,20	8,00	40			3.858	4.331	4.343	0.335	
		1.378	2.992	3.000	0.315		710670 ¹	N		75,00	75,20	11,00	40
710630 ²	N		58,00	58,20	8,00	40			1.575	2.953	2.961	0.433	
		1.378	2.283	2.291	0.315		710671	V	1.102	1.398	1.406	0.205	36
710631 ²	N		64,00	64,26	8,00	32	710672 ¹	V	2.556	3.143	3.146	0.315	32
		1.929	2.520	2.531	0.315		710673 ¹	V	1.532	3.143	3.146	0.315	32
710632	N		59,00	59,32	8,00	40	710674 ²	V		70,00	70,20	11,00	32
		1.535	2.323	2.335	0.315				1.969	2.756	2.764	0.433	
710633	N		59,00	59,20	9,30	40	710675 ¹	V	2.197	3.022	3.030	0.394	79
		1.299	2.323	2.331	0.366		710676 ¹	V		107,00	107,20	8,00	32
710634	N		78,00	78,20	9,00	35			2.953	4.213	4.220	0.315	
		2.047	3.071	3.079	0.354		710677 ⁷	E		58,00	58,20	9,00	32
710635	S		81,00	81,13	7,50	#			1.575	2.283	2.291	0.354	
		2.441	3.189	3.194	0.295		710678 ¹	E		58,00	58,20	8,00	32
710636 ¹	V	1.886	2.697	2.705	0.350	79			1.575	2.830	2.291	0.315	
710637	S		80,00	80,20	8,00	35	710679	N		27,00	27,20	6,00	35
		2.362	3.150	3.157	0.315				0.630	1.063	1.071	0.236	
710638	S		76,00	76,20	8,00	35	710680 ²	N		80,00	80,20	12,00	40
		2.126	2.992	3.000	0.315				2.323	3.150	3.157	0.472	
710639 ¹	V		118,00	118,20	8,50	32	710681	N		47,00	47,20	7,00	35
		3.937	4.646	4.654	0.335				1.260	1.850	1.858	0.276	
710640	N	2.000	2.623	2.631	0.264	62	710682	V		70,00	70,20	11,70	74
									1.732	2.756	2.764	0.461	

NUMERIC SECTION

¹Counter-Clockwise-Spiral Lip Design; ²Clockwise-Spiral Lip Design; ³Redicoat®; ⁷Bi-Directional Lip Design

Numerical List Size & Type

RADIAL SHAFT SEALS

NUMERIC SECTION

Part No.	Lip Mat'l	Shaft Size	Hsg Bore	Seal O.D.	Seal Width	Type/ Illus.	Part No.	Lip Mat'l	Shaft Size	Hsg Bore	Seal O.D.	Seal Width	Type/ Illus.
710600 SERIES (cont.)							710700 SERIES (cont.)						
710683 ⁷	V	1.376	2.750	2.754	0.394	85	710723	N		69,00	69,20	12,00	40
710684 ⁷	V	2.283	3.201	3.209	0.492	69			1.654	2.717	2.724	0.472	
710685	S	3.528	5.460	5.469	0.654	#	710724 ¹	N		50,00	50,20	9,00	40
710686 ⁷	S		69,00	69,20	13,50	40			1.378	1.969	1.976	0.354	
		1.575	2.717	2.724	0.531		710725	V	2.157	3.059	3.067	0.335	32
710688 ⁷	S	1.476	2.953	2.961	0.571	#	710726 ¹	T	1.886	2.750	2.754	0.512	40
710689 ¹	N		58,00	58,20	11,00	32	710727	N		64,00	64,20	10,00	40
		1.575	2.283	2.291	0.433				1.575	2.520	2.528	0.394	
710691 ¹	V	1.504	2.375	2.381	0.362	40	710728 ²	N	1.060	1.750	1.758	0.252	32
710692 ⁷	V	1.376	2.244	2.252	0.402	40	710729	N		41,00	41,20	8,00	32
710693	V	1.858	2.685	2.692	0.500	#			0.984	1.614	1.622	0.315	
710694 ⁷	V		75,00	75,20	12,50	87	710731 ²	N		64,00	64,20	9,00	40
		2.126	2.953	2.961	0.492				1.575	2.520	2.528	0.354	
710695 ⁷	V	1.885	2.697	2.705	0.461	79	710732 ¹	T		68,00	68,20	9,00	40
710697 ⁷	N		74,00	74,20	11,00	40			1.969	2.677	2.685	0.354	
		1.614	2.913	2.921	0.433		710733 ⁷	N		64,00	64,20	8,00	40
710698 ¹	T	4.241	5.105	5.113	0.390	32			1.575	2.520	2.528	0.315	
710699 ²	E		63,00	63,20	5,00	32	710734 ²	N		87,00	87,20	10,30	40
		1.850	2.480	2.488	0.197				2.047	3.425	3.433	0.406	
710690 SERIES							710735 ²	N		74,00	74,20	11,00	32
710690	N	0.621	1.024	1.031	0.252	32			1.772	2.913	2.921	0.433	
710700 SERIES							710736	N	1.594	3.150	3.157	0.394	75
710700 ⁷	V		79,00	79,20	10,00	32	710737 ⁷	V		75,00	75,20	10,00	32
		1.654	3.110	3.118	0.394				1.575	2.953	2.961	0.394	
710701	N	1.650	2.633	2.638	0.963	#	710738 ⁷	V		63,00	63,20	10,50	40
710702 ¹	N		57,00	47,20	9,00	40			1.535	2.480	2.488	0.413	
		1.378	2.244	1.858	0.354		710739 ²	N		50,00	50,20	9,00	40
710703 ²	V		64,00	64,20	8,00	32			1.378	1.969	1.976	0.354	
		1.969	2.520	2.528	0.315		710740 ²	N	2.283	2.921	2.929	0.315	32
710704 ¹	V		56,00	56,20	8,50	40	710742 ⁷	V		90,00	90,20	8,00	32
		1.339	2.205	2.213	0.335				2.717	3.543	3.511	0.315	
710705 ⁷	N		72,00	72,20	8,50	32	710743 ²	V	1.953	3.543	3.551	0.315	32
		2.241	2.835	2.843	0.335		710744 ¹	V		80,00	80,20	8,00	40
710706 ⁷	N		72,00	72,20	12,75	74			2.047	3.150	3.157	0.315	
		1.654	2.835	2.843	0.502		710745 ¹	V		75,00	75,20	8,00	40
710707 ¹	V		110,00	110,20	8,50	32			2.047	2.953	2.961	0.315	
		3.465	4.331	4.339	0.335		710746 ²	V		70,00	70,20	8,00	40
710708 ⁷	N		79,00	79,20	8,00	32			1.969	2.756	2.764	0.315	
		2.520	3.110	3.118	0.315		710747 ⁷	V		61,00	61,14	9,00	40
710709 ⁷	E		61,00	61,20	10,00	87			1.614	2.402	2.407	0.354	
		1.417	2.402	2.409	0.394		710748	N		72,00	72,20	10,00	40
710714	S		21,00	21,20	5,00	47			1.772	2.835	2.843	0.394	
		0.591	0.827	0.835	0.197		710749 ²	V	1.949	2.780	2.785	0.382	74
710715 ¹	N		63,00	63,20	9,00	40	710750 ²	V	2.378	3.150	3.157	0.402	87
		1.496	2.480	2.488	0.354		710751 ¹	V	2.047	3.555	3.563	0.394	74
710716 ²	N		54,00	54,20	9,00	40	710752 ⁷	N		58,00	58,20	9,50	40
		1.496	2.126	2.134	0.354				1.378	2.283	2.291	0.374	
710717 ⁷	V		55,00	55,20	7,33	32	710754 ⁷	S		66,00	66,20	10,00	86
		1.575	2.165	2.173	0.289				1.811	2.598	2.606	0.394	
710718 ¹	V		73,00	73,20	8,00	32	710755	S	2.433	3.061	3.066	0.453	32
		2.244	2.874	2.882	0.315		710756	N	2.307	3.161	3.165	0.610	40
710719 ¹	V		55,00	55,20	10,00	32	710757	S	1.220	1.783	1.787	0.276	35
		1.654	2.165	2.173	0.394		710758 ⁷	N		64,00	64,20	12,00	49
710721 ⁷	N		62,00	62,20	9,00	40			1.890	2.520	2.528	0.472	
		1.496	2.441	2.449	0.354		710760 ¹	N	1.502	2.136	2.144	0.488	#
710722 ²	N		72,00	72,20	8,00	40	710761 ¹	T		105,00	105,28	8,80	32
		2.047	2.835	2.839	0.315				3.346	4.134	4.145	0.346	

Numerical List Size & Type

RADIAL SHAFT SEALS



Part No.	Lip Mat'l	Shaft Size	Hsg Bore	Seal O.D.	Seal Width	Type/ Illus.	Part No.	Lip Mat'l	Shaft Size	Hsg Bore	Seal O.D.	Seal Width	Type/ Illus.
710700 SERIES (cont.)							710700 SERIES (cont.)						
710762	E	0.394	18,00	18,20	5,00	32	710797 ⁷	N	1.575	58,00	58,20	11,20	74
710764 ¹⁴	T	1.890	68,00	68,20	9,30	32	710798 ⁷	N	1.575	55,00	55,20	7,50	40
710765 ¹	V	3.346	105,00	105,28	10,00	32	710800 SERIES						
710766	V	6.063	175,00	175,30	13,50	74	710801 ⁷	N	2.441	75,00	75,20	8,00	32
710767 ¹	V	3.346	103,00	103,23	8,00	32	710802 ⁷	V	1.684	2.953	2.961	0.315	32
710768 ²	T	1.772	64,00	64,20	9,00	40	710803 ¹	V	3.622	4.331	4.339	0.276	32
710769	T	1.260	49,00	49,20	18,00	86	710805 ²	N	0.748	37,00	37,20	7,00	32
710770	N	1.575	62,00	62,20	11,00	32	710806 ²	N	1.378	55,00	55,20	9,00	40
710771 ⁷	T	2.185	3.016	3.020	0.465	79	710807 ⁷	N	1.457	54,00	54,20	12,00	32
710772	N	1.535	56,00	56,20	14,50	40	710808 ⁷	N	1.575	55,00	55,10	12,00	#
710773 ⁷	N	1.366	1.783	1.791	0.276	32	710809	V	0.787	26,00	26,20	4,50	40
710774 ⁷	N	2.520	2.953	2.961	0.315	32	710810 ⁷	V	1.299	53,00	53,20	7,25	35
710775 ⁷	V	1.311	1.705	1.713	0.276	32	710811 ¹⁶	T	3.150	98,00	98,20	14,70	34
710776 ⁷	V	1.575	2.953	2.961	0.394	32	710812	T	3.661	5.256	5.264	0.610	32
710777 ²	N	2.087	2.835	2.843	0.394	32	710813 ¹	T	3.661	114,00	114,33	11,50	32
710778 ²	N	1.771	62,00	62,50	6,00	32	710815 ¹	T	3.777	4.488	4.501	0.453	32
710779 ¹	N	1.890	64,00	64,20	8,00	32	710816 ²	V	1.024	40,00	40,20	7,00	32
710780	N	0.394	18,00	18,10	5,00	32	710818	N	1.378	1.575	1.583	0.276	86
710781	S	0.378	0.669	0.670	0.138	32	710819 ²	V	1.260	55,00	55,20	8,50	32
710782	S	0.551	26,00	26,20	12,30	32	710820	N	0.551	2.165	2.173	0.335	32
710783 ¹	N	1.772	57,00	57,20	9,00	32	710821	N	1.102	0.984	0.992	0.748	32
710784 ⁷	N	1.850	72,00	72,20	10,00	40	710822 ²	T	1.772	37,00	37,20	19,50	40
710785 ²	V	2.559	79,00	79,20	20,00	32	710823 ⁷	V	1.496	75,00	75,20	13,50	40
710786	T	1.772	75,00	75,20	8,00	40	710824 ²	V	1.220	2.953	2.961	0.531	40
710787	T	2.165	171,00	171,20	7,50	40	710825 ¹⁷	N	2.881	74,00	74,20	11,00	40
710788 ²	V	2.008	65,00	65,20	7,00	32	710828	S	2.992	2.913	2.921	0.433	32
710789 ¹	N	3.858	118,00	118,20	10,00	32	710831 ⁷	V	1.929	50,00	50,20	8,00	32
710790 ²	V	1.772	65,00	65,20	7,00	32	710835 ¹	V	1.969	71,00	71,20	11,50	32
710794	N	2.362	75,00	75,20	8,00	32	710836 ⁷	V	1.693	2.795	2.803	0.453	47
710795 ¹	N	1.890	65,00	65,20	7,50	32	710837 ⁷	V	1.969	77,00	77,20	11,00	85
710796 ²	N	1.890	67,00	67,20	7,50	32	710838 ¹	E	1.772	3.032	3.039	0.433	40
			2.638	2.646	0.295		710839 ¹	V	1.575	61,00	61,20	8,00	40
							710843 ¹	V	1.772	2.402	2.409	0.315	40
									2.835	72,00	72,20	10,00	40
									2.835	62,00	62,20	10,00	86
									2.441	2.449	0.394		

NUMERIC SECTION

¹Counter-Clockwise-Spiral Lip Design; ²Clockwise-Spiral Lip Design; ⁷Bi-Directional Lip Design; ¹⁴ABS Sensor in Seal; ¹⁶Crankshaft position sensor port on seal; ¹⁷Hand Installable Design 131

Numerical List Size & Type

RADIAL SHAFT SEALS

NUMERIC SECTION

Part No.	Lip Mat'l	Shaft Size	Hsg Bore	Seal O.D.	Seal Width	Type/ Illus.	Part No.	Lip Mat'l	Shaft Size	Hsg Bore	Seal O.D.	Seal Width	Type/ Illus.
710800 SERIES (cont.)							710900 SERIES (cont.)						
710844 ²	E	0.984	1.555	1.563	0.315	32	710913 ²	N		56,00	56,20	8,00	40
710845 ¹	N		66,00	66,20	10,00	32			1.457	2.205	2.213	0.315	
		1.654	2.598	2.606	0.394		710914 ¹	N		58,00	58,20	8,00	40
710852	V	2.507	3.265	3.273	0.354	32			1.654	2.283	2.291	0.315	
710853 ⁷	V	1.250	1.904	1.912	0.315	#	710915 ²	N		60,00	60,20	9,00	32
710857	E	0.996	1.508	1.516	0.315	#			1.890	2.362	2.370	0.354	
710862	S		25,00	25,20	5,00	32	710916 ¹	N	1.969	2.854	2.862	0.417	40
		0.630	0.984	0.992	0.197		710917	N		69,00	69,20	10,00	32
710863	V	1.223	2.128	2.136	0.750	#			1.772	2.717	2.724	0.394	
710864	S	1.378	2.582	2.590	0.512	74	710918	N		50,00	50,20	22,00	#
710866	V	2.125	2.909	2.917	0.500	86			1.496	1.969	1.976	0.866	
710867 ²	V	1.750	2.756	2.764	0.252	74	710919 ⁷	V		78,00	78,30	10,00	85
710868 ²	N		70,00	70,20	8,00	32			1.692	3.071	3.083	0.394	
		1.811	2.756	2.764	0.315		710920 ¹	V		85,00	85,30	13,50	74
710870 ²	S		48,00	48,20	8,00	40			1.890	3.346	3.358	0.531	
		1.339	1.890	1.898	0.315		710921	N		82,00	82,20	13,00	40
710871 ¹	V		105,00	105,30	8,50	32	710922	N	1.535	3.228	3.236	0.512	
		3.504	4.134	4.146	0.335				1.535	60,00	60,20	10,30	40
710872 ¹	V		83,00	83,20	10,25	32				2.362	2.370	0.406	
		1.693	3.268	3.276	0.404		710923 ²	E		66,00	66,20	7,00	32
710873 ¹	V	1.885	2.700	2.708	0.019	74			2.008	2.598	2.606	0.275	
710876 ²	N		74,00	74,20	7,50	32	710924	N		70,00	70,20	7,50	35
		2.441	2.913	2.921	0.295				2.205	2.756	2.764	0.295	
710877 ²	V	1.807	3.160	3.168	0.563	87	710928	N	1.938	2.680	2.685	0.500	32
710878 ²	V	2.539	3.504	3.512	0.374	40	710929 ²	E		62,00	62,20	5,00	32
710879 ¹	V		119,00	119,30	8,00	32			1.693	2.441	2.449	0.197	
		3.346	4.685	4.697	0.315		710931 ¹	N		90,00	90,20	11,00	40
710881 ¹	V		96,00	96,30	9,00	32			1.811	3.543	3.551	0.433	
		3.268	3.780	3.791	0.354		710932 ²	N		66,00	66,20	7,50	32
710888	S		75,00	75,20	8,00	74			2.008	2.598	2.606	0.295	
		1.969	2.953	2.961	0.315		710933 ¹	N	1.693	2.854	2.862	0.433	32
710889 ²	V		65,00	65,20	6,50	74	710934 ²	N		62,00	62,20	8,00	32
		1.575	2.559	2.567	0.256				1.771	2.441	2.449	0.315	
710893 ²	V		61,00	61,20	6,00	32	710935 ²	V	1.024	1.476	1.484	0.236	32
		1.732	2.402	2.409	0.236		710936 ¹	V		108,00	108,30	8,00	32
710895 ⁷	V		78,00	78,20	12,00	86			2.992	4.252	4.264	0.315	
		1.811	3.071	3.079	0.472		710937	V		67,00	67,20	8,00	#
710898 ¹	N		76,00	76,20	7,00	32			1.772	2.638	2.646	0.315	
		1.575	2.992	3.000	0.276		710938 ⁷	N		65,00	65,20	10,00	#
710900 SERIES									1.654	2.559	2.567	0.394	
710902 ¹	V	2.300	3.322	3.330	0.425	79	710939 ²	E		71,00	71,20	7,00	32
710903 ⁷	V	1.358	2.451	2.459	0.354	86			2.087	2.795	2.803	0.276	
710904 ²	V	1.567	2.441	2.449	0.315	32	710947	E		19,00	19,20	8,50	#
710905 ¹	N	1.965	3.071	3.079	0.394	32			0.472	0.748	0.756	0.335	
710906 ¹	E		78,00	78,20	10,00	32	710953 ⁷	V		75,00	75,25	8,00	40
		2.441	3.071	3.079	0.394				2.047	2.953	2.963	0.315	
710907 ²	V		64,00	64,20	8,50	47	710957 ¹	E	1.978	2.756	2.764	0.394	40
		1.850	2.520	2.528	0.335		710961 ¹	E		68,00	68,20	8,00	32
710908 ¹	N		66,00	66,20	7,50	32			1.890	2.677	2.685	0.315	
		1.929	2.598	2.606	0.295		710962	S		80,00	80,20	8,00	32
710909 ¹	N		68,00	68,20	8,00	32			2.559	3.150	3.157	0.315	
		2.087	2.677	2.685	0.315		710963 ⁷	V	1.782	2.756	2.764	0.433	85
710910 ¹	N		70,00	70,20	8,00	32	710964 ¹	V	1.811	2.780	2.787	0.437	72
		2.283	2.756	2.764	0.315		711000 SERIES						
710911 ⁷	N		67,00	67,20	9,00	40	711000	S	11.586	13.687	13.703	0.562	230
		1.654	2.638	2.646	0.354		711001 ²	V	1.811	2.220	2.228	0.276	32
710912 ²	N		70,00	70,20	7,50	32	711002 ²	V		47,00	47,20	5,00	32
		2.008	2.756	2.764	0.295				1.299	1.850	1.858	0.197	

Numerical List Size & Type

RADIAL SHAFT SEALS



Part No.	Lip Mat'l	Shaft Size	Hsg Bore	Seal O.D.	Seal Width	Type/ Illus.
711000 SERIES (cont.)						
711003 ¹	T		130,00	130,30	12,50	40
		4.291	5.118	5.130	0.492	
711004 ²	T	2.520	3.602	3.610	0.404	#
711005 ²	V		55,00	55,20	7,00	32
		1.575	2.165	2.173	0.276	
711007 ¹	T		105,00	105,28	11,00	32
		3.346	4.133	4.145	0.433	
711008 ²	T		47,00	47,20	7,50	32
		1.378	1.850	1.858	0.295	
711027	S		52,00	52,20	7,00	32
		1.378	2.047	2.055	0.276	
711028	S		80,00	80,28	10,00	32
		2.441	3.150	3.161	0.394	
711029	S		24,00	24,23	7,00	32
		0.591	0.945	0.954	0.276	
711030 ¹	T				0.810	#
711181 ²	V		56,00	56,13	7,00	32
		1.614	2.205	2.210	0.276	
711552	N	1.552	2.502	2.506	0.312	47
711553 ^{3,7}	N	2.375	3.875	3.881	1.060	74
712000 SERIES						
710212	S		156,00	156,10	14,00	40
		2.913	6.142	6.146	0.551	
712000	N	3.000	5.750	5.764	0.413	74
712001 ²	N		46,00	46,30	8,00	32
		1.181	1.811	1.823	0.315	
712005 ²	H		84,00	84,30	9,00	32
		2.559	3.307	3.319	0.354	
712006 ¹	H		82,00	82,20	12,00	32
		2.362	3.228	3.236	0.472	
712007 ²	H		35,00	35,25	6,00	32
		0.984	1.378	1.388	0.276	
712008	H		42,00	42,20	8,00	32
		1.102	1.654	1.661	0.315	
712009 ¹	H		40,00	40,20	8,00	32
		1.063	1.575	1.583	0.315	
712011	S		75,00	75,20	12,00	32
		1.575	2.953	2.961	0.472	
712012 ¹⁸	V	0.984	1.752	1.756	0.313	#
712013 ¹⁸	S	1.000	1.752	1.756	0.313	#
712014 ¹⁸	S	0.750	1.250	1.254	0.375	#
712015 ¹⁸	V	0.875	1.375	1.379	0.250	#
712016 ¹⁸	S	1.000	1.499	1.503	0.250	#
712018 ¹⁸	S	0.984	1.596	1.601	0.250	#
712019 ¹⁸	S	0.500	0.875	0.879	0.313	#
712021 ¹⁸	V	0.313	0.749	0.753	0.250	#
712022 ¹⁸	S	0.313	0.686	0.690	0.313	#
712023 ¹⁸	V	1.500	2.311	2.315	0.500	#
712024 ¹⁸	S	0.625	1.124	1.128	0.375	#
712025 ¹⁸	S	1.250	1.750	1.754	0.250	#
712027 ¹⁸	S	0.750	1.250	1.254	0.250	#
712100 SERIES						
712146 ⁷	S	1.687	2.560	2.579	0.470	25
712200 SERIES						
712250 ³	V	2.250	3.000	3.005	0.375	47

Part No.	Lip Mat'l	Shaft Size	Hsg Bore	Seal O.D.	Seal Width	Type/ Illus.
712200 SERIES (cont.)						
712260	S	1.750	2.810	2.814	0.315	47
712270	S	0.875	1.436	1.441	0.256	48
712375 ³	N	2.375	4.064	4.069	1.092	90
712449 ¹	V	4.812	5.543	5.551	0.472	32
712511 ²	V		89,00	89,20	11,00	32
		2.677	3.504	3.512	0.433	
712551	S		56,00	56,26	10,00	32
		1.575	2.205	2.215	0.394	
712598 ³	S	2.598	3.999	4.004	0.730	47
712625 ³	N	2.625	4.064	4.069	0.960	90
712600 SERIES						
712692 ²	V	1.875	2.561	2.565	0.528	76
712700 SERIES						
712750 ³	V	3.500	4.501	4.506	0.468	41
712900 SERIES						
712937 ³	N	2.937	4.939	4.944	1.250	90
712938	S		73,00	73,23	8,00	49
		2.205	2.874	2.883	0.315	
713000 SERIES						
713087 ²	V		38,00	38,20	7,00	32
		1.102	1.496	1.504	0.276	
713103 ^{2,3}	V	2.180	3.190	3.194	0.620	69
713750 ³	V	3.750	4.500	4.506	0.468	69
713771 ²	V		50,00	50,34	7,00	35
		1.378	1.969	1.982	0.276	
714000 SERIES						
714075 ³	H	1.771	2.500	2.504	0.359	74
714436	S		48,00	48,20	8,00	32
		1.378	1.890	1.898	0.315	
714470 ³	V	3.125	4.003	4.008	0.500	48
714503	N	1.886	2.756	2.765	0.472	87
714512 ^{3,7}	N	2.375	4.498	4.505	0.391	87
714569 ⁷	V	1.574	2.410	2.415	0.540	32
714598 ^{2,3}	N	1.998	2.878	2.882	0.340	86
714616	V	0.630	1.762	1.770	0.354	34
714654 ^{1,3}	N	2.000	2.996	3.003	0.438	47
714655 ^{2,3}	N	1.375	1.981	1.989	0.252	48
714670 ^{1,3}	N	2.500	3.500	3.504	0.450	47
714675 ^{3,7}	V	1.844	2.748	2.753	0.425	74
714679 ^{3,7}	N	1.605	2.560	2.565	0.369	90
714713 ^{3,7}	V	4.000	4.999	5.004	0.469	96
714750 ³	V	4.750	5.751	5.756	0.500	48
715000 SERIES						
710580 ²	V	1.890	2.624	2.628	0.315	32
710593	V	1.803	3.067	3.071	0.551	74
715100	S	1.875	3.150	3.155	0.250	46
716000 SERIES						
710606 ²	T	1.763	2.411	2.415	0.354	32
710624	V	1.358	2.283	2.287	0.394	74
710641	V		98,00	98,20	10,00	32
		2.953	3.858	3.866	0.394	
710687 ⁷	N		75,00	75,10	15,00	#
		1.575	2.953	2.957	0.591	

NUMERIC SECTION

¹Counter-Clockwise-Spiral Lip Design; ²Clockwise-Spiral Lip Design; ³Redicoat®; ⁷Bi-Directional Lip Design; ¹⁸90 PSI Max

Numerical List Size & Type

RADIAL SHAFT SEALS

NUMERIC SECTION

Part No.	Lip Mat'l	Shaft Size	Hsg Bore	Seal O.D.	Seal Width	Type/ Illus.	Part No.	Lip Mat'l	Shaft Size	Hsg Bore	Seal O.D.	Seal Width	Type/ Illus.
716000 SERIES (cont.)							718000 SERIES (cont.)						
710696 ²	E		70,00	70,20	7,00	32	710887 ²	V		60,00	60,20	8,00	32
		1.890	2.756	2.764	0.276				1.772	2.362	2.370	0.315	
716102 ¹	S		105,00	105,28	11,00	32	710890	V	2.146	3.228	3.239	0.600	32
		3.346	4.134	4.145	0.433		710891 ^{2,3}	V	1.763	2.416	2.421	0.375	47
716484 ²	V		65,00	65,30	10,00	32	710892	V		139,00	139,20	13,00	32
		1.890	2.559	2.571	0.394				4.094	5.472	5.480	0.512	
717000 SERIES							710894 ¹	N		111,00	111,20	7,50	32
710711 ²	V		50,00	50,20	6,30	32			3.583	4.370	4.378	0.295	
		1.496	1.969	1.976	0.248		710896 ²	V		109,00	109,20	9,50	40
710712 ²	V	1.561	2.565	2.570	0.314	74			3.622	4.291	4.299	0.374	
710713 ²	V		85,00	85,20	10,00	32	710897 ²	V		52,00	52,20	7,00	32
		1.496	3.346	3.354	0.394				1.339	2.047	2.055	0.276	
710730 ²	V		50,00	50,20	9,50	32	710899 ²	V		60,00	60,20	7,00	32
		1.378	1.969	1.976	0.374				1.969	2.362	2.370	0.276	
710741 ¹	V	1.844	3.063	3.068	0.535	74	718610 ³	N	0.562	1.004	1.008	0.254	47
710759 ²	V		131,00	131,40	15,70	32	719000 SERIES						
		3.346	5.157	5.173	0.618		710900 ¹	V		114,00	114,30	8,00	32
710763	S		112,00	112,10	10,00	40			3.858	4.488	4.500	0.315	
		2.756	4.409	4.413	0.394		710901 ²	T	4.646	5.748	5.762	0.750	32
710799 ²	V	1.240	1.654	1.661	0.276	32	719316	V	1.875	3.160	3.165	0.530	72
717004	S		140,00	140,25	12,00	48	720000 SERIES						
		4.724	5.512	5.522	0.472		722108	S	1.312	1.625	1.662	0.156	VRS1
717005 ¹	S		110,00	110,26	11,00	32	722109	S	2.250	2.675	2.733	0.539	VRS1
		3.740	4.331	4.341	0.433		722250 ³	N	2.250	4.064	4.069	1.092	90
718000 SERIES							Gold 38 Series						
710814	T	3.622	4.500	4.508	0.846	32	370219A	S	2.250	3.372	3.382	0.475	12
710830 ¹	V	1.835	2.874	2.878	0.283	74	370220A	S	4.724	5.906	5.920	0.590	11
710834 ¹	V		50,00	50,20	7,00	41	370247A	S	2.955	3.875	3.882	0.488	#
		1.496	1.969	1.976	0.276		370338A	S	4.375	5.757	5.798	0.600	02
710837 ²	V	1.874	2.496	2.504	0.339	40	370349A	S	4.000	5.757	5.798	0.600	02
710840	V	3.445	3.622	3.630	0.596	#	370352A	S	2.750	3.779	3.792	0.767	11
710841 ¹	T	3.937	4.740	4.753	0.810	#	370371A	S	3.937	5.126	5.140	0.605	11
710842	T	1.976	2.988	3.002	0.410	#	370450A ³	S	2.875	3.875	3.880	0.414	06
710847 ²	N		75,00	75,10	13,50	72	386025A	T	4.625	5.998	6.024	0.580	13
		1.772	2.953	2.957	0.532		386590A	T	4.252	6.007	6.040	0.580	13
710848	T		101,00	101,07	13,00	32	Red 37 Series						
		3.346	3.976	3.979	0.512		370001A ¹⁹	S	3.500	4.842	4.855	0.925	11
710849 ¹	T		105,00	105,20	8,00	32	370002A ³	S	3.500	5.000	5.006	1.000	03
		3.346	4.134	4.142	0.315		370003A ¹⁹	S	4.765	6.311	6.325	1.078	11
710850 ²	T		75,00	75,20	8,00	32	370004A ³	S	4.812	6.500	6.507	0.865	03
		2.402	2.953	2.961	0.315		370005A	S	4.765	6.251	6.265	0.605	11
710851	S		80,00	80,20	11,25	66	370006A ³	S	4.765	6.999	7.006	1.250	03
		2.126	3.150	3.157	0.443		370007A ³	S	4.875	6.373	6.379	0.921	03
710855 ¹	T		115,00	115,30	10,00	32	370008A	S	3.937	5.372	5.386	1.015	11
		3.898	4.528	4.539	0.394		370009A ³	S	3.937	5.501	5.507	0.937	03
710858 ¹	V		117,00	117,30	7,50	32	370010A ³	S	2.875	4.125	4.130	0.842	01
		3.819	4.606	4.618	0.295		370011A	S	3.625	5.000	5.006	0.875	05
710859 ²	V	1.516	1.988	1.996	0.295	32	370012A	S	3.625	4.810	4.820	0.921	07
710860 ¹	H		104,00	104,40	8,50	32	370013A ³	S	3.312	5.000	5.006	0.937	03
		3.465	4.094	4.110	0.335		370014A ³	S	3.125	4.500	4.506	0.605	06
710882	V		175,00	175,30	9,50	32	370015A ³	S	4.000	5.375	5.381	1.000	03
		3.346	6.890	6.902	0.374		370018A ³	S	3.250	4.500	4.506	0.605	06
710884	H		111,00	111,20	23,80	#	370019A ³	S	4.375	6.251	6.257	0.605	06
		3.465	4.370	4.378	0.937		370020A ³	S	4.500	6.000	6.007	0.984	03
710885 ¹	V	4.400	5.235	5.242	0.375	32							
710886 ²	N		61,00	61,20	7,00	32							
		1.850	2.402	2.409	0.276								

Numerical List Size & Type

RADIAL SHAFT SEALS



Part No.	Lip Mat'l	Shaft Size	Hsg Bore	Seal O.D.	Seal Width	Type/ Illus.
Red 37 Series (cont.)						
370021A	S	4.500	6.251	6.265	0.605	11
370022A	S	4.500	5.750	5.764	1.000	11
370023A ¹⁹	S	3.875	5.689	5.704	0.880	11
370024A	S	3.875	5.501	5.515	0.875	11
370025A ¹⁹	S	4.625	5.999	6.015	0.875	11
370026A ³	S	4.635	6.007	6.014	0.937	03
370027A ³	S	4.812	6.311	6.316	1.062	03
370028A ³	S	5.000	6.250	6.256	1.375	01
370029A ³	S	3.187	5.000	5.006	0.765	03
370030A ³	S	4.250	6.064	6.071	0.605	06
370031A	S	4.250	6.250	6.264	1.188	11
370033A ³	S	3.875	5.126	5.132	0.605	06
370034A ³	S	4.375	6.311	6.317	1.090	03
370036A	S	4.000	5.757	5.771	0.955	11
370037A ³	S	4.375	5.757	5.763	1.000	03
370038A ^{3,7}	S	5.000	7.437	7.444	0.605	06
370039A ^{3,7}	S	5.500	7.437	7.444	1.000	03
370043A ^{3,20}	S	5.500	7.125	7.132	1.187	03
370046A ³	S	3.125	4.625	4.631	0.605	06
370047A ³	S	3.437	4.755	4.761	0.700	06
370048A ³	S	4.375	5.905	5.911	1.000	03
370051A ³	S	4.625	6.622	6.629	1.093	03
370054A ³	S	2.875	4.175	4.181	0.822	03
370057A ³	S	4.875	6.437	6.444	0.921	03
370063A ³	S	5.000	6.250	6.256	0.605	06
370064A ³	S	5.625	7.186	7.194	0.906	03
370065A ¹⁹	S	4.250	6.008	6.014	1.000	11
370066A ³	S	4.000	5.626	5.632	0.605	06
370069A ³	S	5.250	7.375	7.386	1.000	03
370077A ³	S	6.000	7.875	7.881	0.605	06
370078A ³	S	4.500	6.622	6.629	1.093	03
370086A ³	S	4.500	6.310	6.316	1.175	03
370094A ³	S	4.125	5.375	5.382	0.605	06
370106A ³	S	4.166	5.500	5.506	0.605	06
370107A ³	S	4.250	6.035	6.047	0.915	03
370109A ³	S	4.875	6.622	6.629	1.000	03
370119A ³	S	5.640	7.501	7.507	0.605	06
370120A ³	S	5.500	7.250	7.256	1.187	03
370121A ³	S	4.875	6.500	6.506	1.000	03
370124A	S	4.500	5.374	5.384	0.884	07
370131A	S	4.500	5.876	5.890	0.984	11
370132A	S	3.500	4.543	4.558	0.788	07
370145A	S	3.125	4.174	4.184	0.500	07
• 370149A	S	6.625	8.007	8.014	0.605	#
370150A	S	2.875	3.875	3.885	0.700	07
370165A ³	S	3.875	5.376	5.381	0.895	03
370166A ³	S	5.000	6.622	6.629	1.093	03
370169A	S	3.500	4.751	4.761	0.605	07
370173A ³	S	4.765	6.250	6.257	1.050	01
370175A ³	S	7.250	8.750	8.758	0.605	06
370178A	S	4.500	5.500	5.515	0.675	07
370179A	S	3.500	4.450	4.460	0.843	07
370181A ³	S	4.765	5.999	6.006	1.031	01
370182A	S	4.375	5.905	5.910	1.000	08
370192A ³	S	4.500	6.441	6.447	0.937	03
370195A	S	4.882	6.001	6.011	0.625	11

Part No.	Lip Mat'l	Shaft Size	Hsg Bore	Seal O.D.	Seal Width	Type/ Illus.
Red 37 Series (cont.)						
370198A ²¹	S	4.040	5.122	5.129	0.945	11
370199A ²¹	S	2.359	3.938	3.948	0.575	11
370211A ²¹	N	2.948	4.725	4.738	0.585	11
370212A ²²	N	3.539	5.277	5.291	0.585	11
376590A	S	4.250	6.008	6.050	0.680	04

PLAIN ROUND FELT SEALS

Part No.	Lip Mat'l	Shaft Size	Hsg Bore	Seal O.D.	Seal Width	Type/ Illus.
FELTWASHER SERIES						
5MR1008	F	2.688	3.500	3.504	0.219	#
5M81	F	1.938	2.875	2.888	0.375	#
5M643	F	3.250	4.063	4.067	0.313	#
5M466	F	6.438	7.563	7.567	0.500	#
5M403	F	2.000	3.125	3.129	0.500	#
5M293	F	1.938	3.000	3.004	0.375	#
5M289	F	2.000	2.748	2.746	0.438	#
5MR71	F	2.188	3.063	3.067	0.250	#
5MR1300	F	0.938	1.500	1.504	0.375	#
5MR1009	F	2.937	3.812	3.816	0.313	#
5M89	F	2.500	3.438	3.442	0.313	#

NUMERIC SECTION

³Redicoat®; ⁷Bi-Directional Lip Design; ¹⁹Dynamic Edge; ²⁰370043A; ²¹Spindle Mount; ²²Dexter Axle; ; • Non Stock Item - Special Order

Numerical List Size & Type

SEAL KITS

NUMERIC SECTION

Kit No.	KIT DIMENSIONS					SEAL DIMENSIONS					REMARKS		
	Shaft	O.D.	Width	Bolt Holes	Type/ Illus.	Seal No.	Type/ Illus.	Lip Mat'l	Shaft	O.D.		Width	Bolt Holes
5026	6.000	6.757	0.750	-	33	+ 336665H	-	-	-	-	-	-	Contains J1141 Wear Sleeve
5039	5.991	6.757	0.500	-	41	+ 4165V	-	-	-	-	-	-	Contains JV2088 Wear Sleeve
5065	4.000	5.005	0.625	-	45	+ 455134H	-	-	-	-	-	-	Contains J1129 Wear Sleeve
5066	2.377	3.505	0.560	-	48	3894V	48	V	2.500	3.505	0.500	-	Contains JX1920 Wear Sleeve
5089	3.937	5.509	0.597	-	41	+ 2155	-	-	-	-	-	-	
5146	5.500	6.631	0.875	-	41	+ 415487	41	-	5.625	6.631	0.625	-	Contains JV1463 Wear Sleeve
5166	1.250	2.254	0.750	-	41	+ 410169	41	-	1.375	2.254	0.500	-	Contains JV1873 Wear Sleeve
5167	3.625	4.756	0.875	-	47	475379 ²	47	S	3.750	4.756	0.500	-	Contains JV1874 Wear Sleeve
5168	1.062	2.129	0.625	-	41	+ 413293	41	-	1.187	2.129	0.375	-	Contains JV1872 Wear Sleeve
5169	3.250	4.254	0.750	-	47	476028 ²	47	S	3.375	4.254	0.468	-	Contains JV1875 Wear Sleeve
5170	4.062	5.506	0.875	-	41	+ 415039	41	-	4.187	5.506	0.562	-	Contains JV1473 Wear Sleeve
5188	2.000	3.376	0.625	-	41	410972N ²	41	N	2.125	3.376	0.468	-	Contains J1109 Wear Sleeve & JV1837 Wear Sleeve
5189	2.250	3.256	0.625	-	41	412038N ²	41	N	2.375	3.256	0.437	-	Contains J1113 Wear Sleeve & JV1836 Wear Sleeve
5200	1.502	2.381	0.940	-	71	9613S ^{2,3}	71	S	1.500	2.381	0.470	-	Contains RP 356 Bushing
5201	1.500	2.378	1.500	-	47	470059 ²	47	S	1.500	2.378	0.500	-	Contains RP 605 Bushing
5202	1.500	2.376	0.420	-	79	7692S ^{2,3}	79	N	1.500	2.376	0.420	-	Contains RP 605 Bushing
5203	1.685	2.506	0.421	-	79	7300S ^{2,3}	79	N	1.685	2.506	0.421	-	Contains RP 661 Bushing
5206	1.685	2.506	0.421	-	79	7300S ^{2,3}	79	N	1.685	2.506	0.421	-	Contains RP 546 Bushing
5208	1.887	1.999	1.000	-	74	9449 ^{2,3}	74	S	1.887	2.704	0.582	-	Contains RP775 Bushing
5273	2.991	3.637	0.385	-	FW-H	+ 100202T	-	-	-	-	-	-	
5274	3.740	4.540	0.492	-	FW-H	+ 100203T	-	-	-	-	-	-	Contains Contains 733215 Gasket
5277	3.625	4.256	0.390	-	FW-H	+ 100204T	-	-	-	-	-	-	
5278	3.750	4.506	0.362	-	FW-H	+ 100205T	-	-	-	-	-	-	
5279	3.583	4.375	0.394	-	FW-H	+ 100052T	-	-	-	-	-	-	Contains 731414 Gasket
5287	3.465	4.266	0.437	-	FW-H	+ 100239T	-	-	-	-	-	-	Contains 732079 Gasket & 733419 Gasket & 734280 Gasket
5313	3.010	8.250	0.571	-	#	+ 8369S	-	-	-	-	-	-	Contains K282 Wiper & (2) G523 Gasket
5329	2.000	4.562	0.562	-	#	+ 6465B	-	-	-	-	-	-	Contains (2) G33 Gasket
5397	2.121	3.350	0.500	-	46	+ 482435	48	-	2.172	3.35	0.500	-	
						+ 9434	-	-	-	-	-	-	
5399	2.812	4.504	1.000	-	41	+ 415356	41	-	2.937	4.504	0.468	-	Contains JV1427 Wear Sleeve
5401	2.500	6.125	0.435	-	51	+ 7512S	-	-	-	-	-	-	Contains (2) G41 Gasket & G43 Gasket & JV1304 Wear Sleeve
5403	2.860	6.562	0.571	-	#	+ 6479	-	-	-	-	-	-	Contains J493 Wear Sleeve
5408	3.124	8.250	0.518	-	#	+ 6477S	-	-	-	-	-	-	Contains (2) G40 Gasket & G42 Gasket & J873 Wear Sleeve
5414	2.645	5.625	0.320	-	#	-	-	-	-	-	-	-	(Split-Lip Seal); Contains (2) G129 Gasket & G130 Gasket & G131 Gasket
5419	-	6.906	0.440	-	#	-	-	-	-	-	-	-	Contains (2) G137 Gasket
5424	5.179	6.513	1.380	-	FW-H	+ 327984	-	-	-	-	-	-	Contains JF2280 Wear Sleeve
5458	1.880	2.414	0.250	-	35	+ 6910S	-	-	-	-	-	-	Contains 610101 O-Ring
5460	4.687	5.756	1.562	-	45	455251H ²	45	H	4.812	5.756	0.562	-	Contains JV729 Wear Sleeve
5481	4.759	6.316	1.250	-	47	6872S	47	S	5.500	6.316	1.250	-	Contains JV753 Wear Sleeve
5487	2.000	5.880	0.448	-	#	-	-	-	-	-	-	-	Contains (2) G221 Gasket & K251 Wiper
5521	2.120	3.505	0.750	-	41	+ 415093	41	-	2.250	3.505	0.500	-	Contains JV1456 Wear Sleeve
5526	3.994	5.004	0.718	-	41	+ 415134	41	-	4.125	5.004	0.468	-	Contains JV1461 Wear Sleeve
5527	4.743	6.256	0.812	-	41	+ 415068	-	-	-	-	-	-	Contains JV1462 Wear Sleeve
5531	1.812	2.879	0.718	-	41	+ 410295	41	-	1.937	2.879	0.468	-	Contains J1464 Wear Sleeve
5532	3.562	5.256	0.468	-	41	416670 ²	41	S	3.687	5.256	0.468	-	Contains JV1469 Wear Sleeve
5537	4.062	6.000	0.875	-	41	+ 416673	41	-	4.187	6.007	0.625	-	Contains JV1473 Wear Sleeve
5538	6.875	8.382	0.750	-	41	+ 416674	-	-	-	-	-	-	Contains JV1474 Wear Sleeve
5573	1.915	2.548	0.250	-	#	+ 7020	-	-	-	-	-	-	Contains 610145 O-Ring
5578	3.125	4.130	1.000	-	48	+ 485500N	48	-	3.298	4.13	0.562	-	Contains K179 Wiper
5589	2.129	2.766	0.250	-	48	+ 666151	-	-	-	-	-	-	Contains 666151 O-Ring
						+ 6957	-	-	-	-	-	-	

Numerical List Size & Type

SEAL KITS



KIT DIMENSIONS						SEAL DIMENSIONS						REMARKS	
Kit No.	Shaft	O.D.	Width	Bolt Holes	Type/ Illus.	Seal No.	Type/ Illus.	Lip Mat'l	Shaft	O.D.	Width	Bolt Holes	Remarks
5591	-	6.240	0.400	-	#	-	-	-	-	-	-	-	Contains (2) G462 Gasket & (2) G463 Gasket
5601	2.875	3.756	0.625	-	47	476023N²	47	N	3.000	3.756	0.375	-	Contains JV1120 Wear Sleeve
5602	2.375	3.433	1.000	-	47	473274N²	47	N	2.500	3.433	0.375	-	Contains JV1802 Wear Sleeve
5603	2.375	4.943	1.000	-	#	3136N^{2,4}	47	N	2.500	4.943	0.500	-	Contains JV1802 Wear Sleeve
5604	2.125	3.072	0.433	-	#	+ 3948	-	-	-	-	-	-	Contains JV2019 Wear Sleeve
5613	6.079	7.336	0.750	-	64	2628²	64	H	6.204	7.336	0.562	-	Contains K458 Wiper & J1842 Wear Sleeve
5624	5.000	6.131	0.875	-	45	456557²	45	V	5.125	6.131	0.500	-	Contains JX1831 Wear Sleeve
5629	3.000	4.008	0.625	-	45	+ 457034	-	-	-	-	-	-	Contains J1121 Wear Sleeve
5645	5.998	6.757	0.675	-	41	+ 4165V	-	-	-	-	-	-	Contains J2051 Wear Sleeve
5649	3.562	5.125	0.875	-	74	9584²	74	S	3.562	4.761	0.550	-	Contains JV1509 Wear Sleeve
5666	2.340	3.355	0.650	-	69	+ 3501V	-	-	-	-	-	-	Contains JX1966 Wear Sleeve
5667	3.865	6.102	0.975	-	74	+ 4269	-	-	-	-	-	-	Contains J2058 Wear Sleeve
5694	1.969	2.688	0.256	-	#	+ 1884	-	-	-	-	-	-	
						4899	66	S	2.205	2.958	0.256	-	
						+ 722111	-	-	-	-	-	-	
5695	2.010	2.965	0.318	-	#	+ SK1	-	-	-	-	-	-	Contains SK3 Wear Sleeve
						+ SK2	-	-	-	-	-	-	
						+ SK3	-	-	-	-	-	-	
5696	2.047	2.964	0.315	-	#	1993	47	S	2.205	2.885	0.492	-	
						4898	66	S	2.047	2.603	0.295	-	
						+ 722110	-	-	-	-	-	-	
5697	1.875	3.150	0.315	-	#	+ 4051	-	-	-	-	-	-	Contains AS232 O-Ring
5698	2.420	3.558	0.336	-	#	+ 4185	-	-	-	-	-	-	Contains AS043 O-Ring
5699	1.875	2.808	0.433	-	285	+ 4310	-	-	-	-	-	-	Contains AS232 O-Ring

NUMERIC SECTION

²Redicoat®; ⁴Bi-Directional Lip Design; + Not Sold Separately

Numerical List Size & Type

WEAR SLEEVES

NUMERIC SECTION

Part No.	Shaft Dia	I.D.	Eff. Shaft Dia	Flanged O.D.	Width	Type/ Illus.	Part No.	Shaft Dia	I.D.	Eff. Shaft Dia	Flanged O.D.	Width	Type/ Illus.
• J1110	2.062	2.057	2.187		0.625	19	J1869	6.375	161.930	6.500		0.875	19
• J1139	5.500	5.493	5.625		0.750	19	J2228	2.500	63.500	2.491		0.560	19
• J1828	5.375	5.368	5.5		0.848	#	JF2280	5.187	131.750	5.312		1.380	19
• JJ1990	2.375	2.37	2.5		1.000	19	JF2282	4.687	119.050	4.812		1.240	19
• JV1002	5.875	5.868	6		0.875	19							
• JV1138	5.250	5.243	5.375		0.750	19							
• JV1278	6.875	6.867	7		0.750	19							
• JV1582	3.678	3.67	3.758		0.625	1							
• JV825	1.766	1.761	1.871		0.875	19							
JV701	4.812	122.220	5.510		0.875	#							
JV753	4.764	121.010	5.510		0.875	#							
JV933	1.500	38.100	2.570		0.550	1							
JV949	3.146	79.910	3.224		0.625	1							
J1081	5.375	136.530	5.500		0.750	19							
J1101	1.500	38.100	1.625		0.625	19							
J1103	1.625	41.280	1.750		0.625	19							
J1105	1.750	44.450	1.875		0.625	19							
J1106	1.812	46.020	1.937		0.625	19							
J1107	1.875	47.630	2.000		0.625	19							
J1109	2.000	50.800	2.125		0.625	19							
J1111	2.125	53.980	2.250		0.625	19							
J1113	2.250	57.150	2.375		0.625	19							
J1115	2.375	60.330	2.500		0.625	19							
J1117	2.500	63.500	2.625		0.625	19							
J1118	2.625	66.680	2.750		0.625	19							
J1119	2.750	69.850	2.875		0.625	19							
J1121	3.000	76.200	3.125		0.625	19							
J1122	3.125	79.380	3.250		0.625	19							
J1123	3.250	82.550	3.375		0.625	19							
J1124	3.375	85.730	3.500		0.625	19							
J1125	3.500	88.900	3.625		0.625	19							
J1126	3.625	92.080	3.750		0.625	19							
J1127	3.750	95.250	3.875		0.625	19							
J1128	3.875	98.430	4.000		0.625	19							
J1129	4.000	101.600	4.125		0.625	19							
J1130	4.125	104.780	4.250		0.625	19							
J1131	4.250	107.950	4.375		0.750	19							
J1132	4.375	111.130	4.500		0.750	19							
J1134	4.625	117.480	4.750		0.750	19							
J1136	4.875	123.830	5.000		0.750	19							
J1138	5.250	133.350	5.375		0.750	19							
J1140	5.750	146.050	5.875		0.750	19							
J1141	6.000	152.400	6.125		0.750	19							
J1158	1.125	28.580	1.250		0.500	19							
JV1166	3.686	93.620	3.767		0.625	1							
JV1190	7.375	187.330	7.500		0.875	19							
JV1216	2.698	68.530	2.774		0.953	#							
JV1277	1.375	34.930	1.500		0.625	19							
J1278	6.875	174.630	7.000		0.750	19							
JV1371	2.906	73.810	3.000	3.125	0.562	#							
J1396	2.000	50.800	2.125		0.750	19							
JV1469	3.562	90.470	3.687	3.825	0.718	10							
JV1474	6.875	174.630	7.000	7.187	1.000	10							
J1606	4.875	123.830	5.000		0.715	19							
J1780	2.502	63.550	2.627		1.000	19							
J1825	6.206	157.630	6.328		0.812	19							
J1842	6.081	154.460	6.204		0.750	19							

Numerical List Size & Type

REDI-SLEEVES



Part No.	Shaft Range		Width on Shaft	Overall Width	Flanged O.D.	Install. Depth	Part No.	Shaft Range		Width on Shaft	Overall Width	Flanged O.D.	Install. Depth
	Min	Max						Min	Max				
99049	0.469	0.475	0.236	0.331	0.787	0.472	99160	1.602	1.608	0.500	0.641	1.938	1.000
99050	0.498	0.502	0.250	0.344	0.610	2.008	99161	1.622	1.628	0.313	0.438	1.875	1.016
99055	0.547	0.551	0.250	0.391	0.750	1.831	99162	1.623	1.628	0.563	0.688	1.875	0.813
99056	0.560	0.566	0.250	0.391	0.750	1.831	99163	1.608	1.614	0.500	0.625	1.938	1.016
99058	0.626	0.630	0.313	0.438	0.718	2.000	99165	1.653	1.659	0.550	0.689	2.087	0.827
99059	0.589	0.593	0.197	0.354	0.750	0.425	99166	1.647	1.654	0.445	0.571	2.087	0.827
99060	0.682	0.686	0.313	0.438	0.900	2.000	99167	1.685	1.691	0.313	0.438	1.906	0.875
99062	0.623	0.627	0.313	0.406	0.813	2.000	99168	1.684	1.690	0.563	0.688	1.906	0.875
99068	0.667	0.671	0.315	0.433	1.063	2.008	99169	1.647	1.654	0.563	0.688	2.087	0.827
99075	0.748	0.752	0.375	0.500	0.900	2.000	99170	1.736	1.742	0.375	0.500	2.063	0.813
99076	0.748	0.752	0.313	0.438	0.938	2.000	99171	1.715	1.721	0.563	0.688	2.031	0.813
99078	0.785	0.789	0.313	0.433	0.999	2.000	99172	1.747	1.753	0.375	0.500	2.055	0.813
99080	0.780	0.784	0.313	0.438	0.935	2.000	99174	1.747	1.753	0.563	0.688	2.063	0.813
99081	0.759	0.761	0.313	0.438	0.938	2.000	99175	1.747	1.753	0.750	0.875	2.063	0.813
99082	0.704	0.709	0.315	0.433	1.063	1.811	99176	1.761	1.767	0.563	0.688	2.063	0.813
99084	0.861	0.866	0.259	0.359	1.188	1.856	99177	1.769	1.775	0.551	0.669	2.087	0.812
99085	0.861	0.866	0.315	0.472	1.058	1.813	99179	1.778	1.784	0.675	0.800	2.125	1.062
99086	0.857	0.861	0.250	0.375	1.155	2.000	99180	1.747	1.753	0.531	0.625	2.063	0.875
99087	0.873	0.877	0.313	0.438	1.093	2.000	99181	1.809	1.815	0.563	0.688	2.156	1.000
99091	0.908	0.912	0.313	0.438	1.218	1.847	99182	1.687	1.693	0.500	0.625	1.906	0.844
99092	0.940	0.945	0.313	0.437	1.130	2.000	99184	1.872	1.878	0.375	0.516	2.203	1.050
99094	0.966	0.970	0.313	0.438	1.130	2.000	99185	1.857	1.863	0.563	0.688	2.156	1.000
99096	0.966	0.970	0.625	0.719	1.130	2.000	99186	1.866	1.872	0.889	1.025	2.187	1.000
99098	0.982	0.986	0.313	0.433	1.378	2.000	99187	1.872	1.878	0.563	0.688	2.203	1.000
99101	0.998	1.002	0.313	0.438	1.219	2.000	99188	1.872	1.878	0.295	0.415	2.203	0.744
99103	1.019	1.024	0.313	0.472	1.312	1.813	99189	1.887	1.893	0.551	0.668	2.205	0.984
99106	1.060	1.064	0.313	0.438	1.320	2.812	99190	1.872	1.878	0.175	0.295	2.203	0.744
99108	1.087	1.091	0.313	0.438	1.406	0.625	99192	1.909	1.915	0.375	0.500	2.219	1.000
99111	1.100	1.104	0.375	0.500	1.375	2.813	99193	1.934	1.940	0.563	0.688	2.219	1.000
99112	1.123	1.127	0.313	0.438	1.575	0.688	99196	1.965	1.971	0.551	0.688	2.244	0.984
99114	1.179	1.184	0.315	0.433	1.400	0.688	99198	1.977	1.983	0.563	0.704	2.313	1.050
99116	1.123	1.127	0.375	0.500	1.500	0.688	99199	1.997	2.003	0.563	0.688	2.406	1.000
99118	1.185	1.190	0.313	0.438	1.400	0.875	99200	1.997	2.003	0.875	1.000	2.406	1.000
99120	1.154	1.158	0.375	0.500	1.350	0.688	99204	2.041	2.047	0.500	0.625	2.469	1.000
99121	1.297	1.301	0.591	0.709	1.594	1.000	99205	2.057	2.063	0.781	0.938	2.469	1.375
99122	1.173	1.178	0.313	0.438	1.575	0.688	99210	2.123	2.128	0.500	0.750	2.422	1.281
99123	1.216	1.222	0.315	0.438	1.575	0.688	99212	2.124	2.130	0.781	0.938	2.422	1.375
99125	1.247	1.253	0.313	0.438	1.500	0.688	99215	2.162	2.168	0.787	0.905	2.441	1.250
99128	1.257	1.263	0.315	0.437	1.496	0.709	99218	2.186	2.192	0.781	0.938	2.500	1.313
99129	1.308	1.314	0.250	0.375	1.600	0.813	99219	2.280	2.286	0.787	0.938	2.598	1.375
99131	1.310	1.316	0.500	0.625	1.594	0.813	99220	2.197	2.205	0.500	0.625	2.500	1.250
99133	1.371	1.377	0.313	0.438	1.638	0.813	99225	2.249	2.255	0.781	0.938	2.531	1.313
99134	1.336	1.342	0.500	0.625	1.638	0.813	99226	2.237	2.243	0.764	0.900	2.562	1.250
99138	1.371	1.377	0.500	0.625	1.638	0.813	99227	2.249	2.255	0.313	0.438	2.531	1.313
99139	1.375	1.381	0.512	0.630	1.638	0.812	99228	2.275	2.281	0.380	0.505	2.678	1.375
99143	1.432	1.438	0.563	0.688	1.781	1.000	99230	2.227	2.233	0.781	0.906	2.531	1.250
99144	1.435	1.441	0.375	0.500	1.781	1.016	99231	2.309	2.315	0.781	0.938	2.688	1.600
99145	1.453	1.460	0.375	0.500	1.781	0.812	99233	2.327	2.333	0.750	0.875	2.750	1.610
99146	1.412	1.417	0.518	0.669	1.689	0.984	99235	2.359	2.365	0.787	0.905	2.785	1.375
99147	1.490	1.496	0.512	0.669	1.780	0.984	99236	2.369	2.375	0.781	0.938	2.750	1.375
99149	1.497	1.503	0.563	0.688	1.781	1.000	99237	2.374	2.380	0.781	0.938	2.734	1.375
99150	1.497	1.503	0.375	0.500	1.781	1.016	99238	2.372	2.378	0.594	0.750	2.750	1.375
99152	1.520	1.526	0.438	0.563	1.859	1.016	99240	2.374	2.380	0.526	0.683	2.750	1.375
99153	1.569	1.575	0.390	0.509	1.850	1.000	99241	2.359	2.365	0.370	0.449	2.783	1.472
99155	1.549	1.555	0.438	0.563	1.859	1.000	99242	2.435	2.441	0.500	0.626	2.827	1.417
99156	1.559	1.565	0.563	0.688	1.859	1.000	99243	2.434	2.440	0.781	0.938	2.828	1.375
99157	1.572	1.578	0.512	0.630	1.850	1.023	99244	2.434	2.441	0.500	0.625	2.828	1.425
99159	1.566	1.572	0.625	0.750	1.859	1.016	99248	2.500	2.506	0.500	0.656	2.828	1.375

NUMERIC SECTION

Numerical List Size & Type

REDI-SLEEVES

NUMERIC SECTION

Part No.	Shaft Range		Width on Shaft	Overall Width	Flanged O.D.	Install. Depth	Part No.	Shaft Range		Width on Shaft	Overall Width	Flanged O.D.	Install. Depth
	Min	Max						Min	Max				
99249	2.489	2.495	0.781	0.938	2.875	1.393	99351	3.540	3.546	0.710	0.906	4.000	1.813
99250	2.500	2.506	0.781	0.938	2.828	1.375	99352	3.540	3.546	0.438	0.538	4.000	1.813
99251	2.510	2.516	0.781	0.906	2.828	1.438	99353	3.540	3.546	0.528	0.665	4.000	1.732
99253	2.497	2.503	0.555	0.650	2.820	0.890	99354	3.540	3.546	0.906	1.102	4.000	1.750
99254	2.556	2.562	0.787	0.905	2.850	1.378	99356	3.560	3.566	0.813	1.000	3.900	1.750
99256	2.560	2.566	0.781	0.938	2.891	1.375	99359	3.685	3.691	0.813	0.938	4.025	1.750
99259	2.595	2.602	0.781	0.938	2.990	1.250	99360	3.618	3.624	0.811	1.000	4.031	1.732
99260	2.622	2.628	0.500	0.625	3.047	1.375	99362	3.623	3.629	0.813	1.000	4.031	1.750
99261	2.618	2.624	0.781	0.938	3.047	1.375	99363	3.623	3.629	0.500	0.625	4.025	1.750
99262	2.625	2.631	0.781	0.938	3.047	1.375	99364	3.740	3.746	0.469	0.594	4.035	1.750
99264	2.621	2.627	0.781	0.906	3.047	1.375	99365	3.685	3.691	0.813	0.938	4.025	1.750
99266	2.760	2.677	0.750	0.875	3.125	1.688	99366	3.727	3.733	0.781	0.906	4.025	1.800
99267	2.747	2.753	1.438	1.625	3.075	1.625	99367	3.750	3.756	0.344	0.500	4.031	1.750
99269	2.750	2.756	1.125	1.250	3.125	1.250	99368	3.684	3.690	0.313	0.438	3.830	0.875
99272	2.750	2.756	0.406	0.563	3.125	1.250	99369	3.737	3.743	0.827	0.945	4.025	1.750
99273	2.740	2.746	0.781	0.938	3.065	1.250	99372	3.750	3.756	0.688	0.875	4.031	1.875
99274	2.745	2.751	0.781	0.938	3.125	1.250	99374	3.740	3.746	0.344	0.500	4.031	1.750
99275	2.750	2.756	0.781	0.938	3.125	1.250	99376	3.746	3.752	0.563	0.688	4.025	1.750
99276	2.753	2.759	0.787	0.945	3.125	1.250	99386	3.868	3.874	0.813	1.000	4.185	1.875
99281	2.809	2.815	0.594	0.688	3.188	1.250	99387	3.873	3.879	0.813	1.000	4.219	1.875
99282	2.838	2.844	0.500	0.656	3.225	1.250	99393	3.935	3.941	0.813	1.000	4.313	1.340
99284	2.828	2.835	0.750	0.875	3.225	1.343	99395	3.998	4.006	0.600	0.725	101.600	2.050
99286	2.866	2.872	0.781	0.938	3.188	1.250	99399	3.998	4.006	0.813	1.000	4.375	1.250
99287	2.873	2.879	0.781	0.938	3.219	1.250	99400	3.998	4.006	0.650	0.775	4.375	1.375
99289	2.950	2.956	0.594	0.689	3.272	1.102	99401	3.998	4.006	0.500	0.625	4.375	2.066
99290	2.937	2.943	0.500	0.641	3.344	1.331	99409	4.090	4.098	0.787	0.945	4.438	1.417
99291	2.990	2.996	0.484	0.625	3.359	1.331	99412	4.122	4.130	0.813	1.000	4.420	1.375
99293	2.937	2.943	0.781	0.938	3.344	1.250	99413	4.130	4.138	0.787	0.906	4.470	1.378
99294	2.950	2.956	0.866	1.024	3.305	1.312	99418	4.183	4.191	0.813	1.000	4.500	1.375
99296	2.997	3.003	0.813	0.938	3.240	1.375	99423	4.226	4.234	0.781	0.906	4.610	1.438
99298	2.990	2.996	0.563	0.688	3.359	1.375	99424	4.248	4.256	0.813	1.000	4.813	1.375
99299	2.990	2.996	0.813	1.000	3.359	1.250	99434	4.322	4.331	0.448	0.589	4.921	1.297
99300	3.000	3.006	0.813	1.000	3.453	1.250	99435	4.327	4.335	0.509	0.650	4.921	1.250
99303	3.000	3.006	0.625	0.813	3.345	1.063	99437	4.370	4.378	0.813	1.000	4.750	1.650
99306	3.064	3.071	0.750	0.875	3.468	2.056	99438	4.401	4.409	0.750	0.886	4.750	1.300
99307	3.124	3.132	0.551	0.709	3.525	2.031	99439	4.434	4.442	1.000	1.142	4.813	1.313
99311	3.120	3.126	0.688	0.813	3.531	2.000	99450	4.496	4.504	0.813	1.000	5.000	1.375
99312	3.120	3.126	0.813	1.000	3.531	2.000	99452	4.523	4.531	0.813	0.938	5.000	1.250
99313	3.142	3.150	0.750	0.886	3.540	1.375	99463	4.621	4.629	1.000	1.250	5.063	1.375
99315	3.146	3.153	0.827	0.945	3.543	1.375	99465	4.621	4.629	0.438	0.625	5.000	1.375
99317	3.146	3.153	0.433	0.590	3.543	1.378	99468	4.685	4.693	0.812	1.000	5.062	1.375
99322	3.247	3.253	0.813	1.000	3.594	1.375	99471	4.720	4.728	0.315	0.433	5.110	1.323
99323	3.248	3.254	0.600	0.725	3.585	1.375	99472	4.801	4.807	0.787	0.945	5.177	1.260
99324	3.250	3.256	0.595	0.719	3.594	1.375	99473	4.720	4.728	0.787	0.984	5.110	1.260
99325	3.250	3.256	0.813	1.000	3.594	1.375	99475	4.746	4.754	0.500	0.750	5.250	1.500
99326	3.250	3.256	0.688	0.875	3.585	1.250	99487	4.871	4.879	0.625	0.752	5.252	1.457
99328	3.225	3.231	0.661	0.850	3.587	1.732	99490	4.917	4.925	0.394	0.551	5.402	1.457
99331	3.307	3.313	0.813	1.000	3.688	1.375	99491	5.117	5.125	0.866	0.996	5.492	1.299
99332	3.337	3.347	0.669	0.827	3.700	1.378	99492	4.917	4.925	1.024	1.260	5.400	1.438
99333	3.337	3.346	0.827	0.984	3.700	2.007	99494	5.110	5.118	0.750	0.938	5.493	1.181
99334	3.338	3.346	1.062	1.250	3.700	2.007	99498	4.998	5.006	0.688	0.875	5.400	1.438
99337	3.373	3.379	0.813	1.000	3.688	1.375	99499	4.998	5.006	0.813	1.000	5.406	1.500
99339	3.435	3.441	0.781	0.906	3.844	1.406	99501	4.998	5.006	0.813	1.000	5.390	1.438
99340	3.477	3.483	0.781	0.906	3.835	1.406	99513	5.120	5.128	0.813	1.000	5.500	1.250
99346	3.497	3.503	0.625	0.813	3.844	1.347	99525	5.246	5.254	0.813	1.000	5.560	1.250
99347	3.500	3.506	0.315	0.500	3.827	1.339	99533	5.307	5.315	0.807	1.000	5.735	1.250
99349	3.501	3.507	0.626	0.811	3.842	1.339	99537	5.371	5.379	0.813	1.000	5.875	1.250
99350	3.500	3.506	0.813	1.000	3.844	1.375	99549	5.498	5.506	0.812	1.000	5.938	1.250

Numerical List Size & Type

REDI-SLEEVES

TIMKEN®

Part No.	Shaft Range		Width on Shaft	Overall Width	Flanged O.D.	Install. Depth
	Min	Max				
99550	5.498	5.506	0.518	0.705	5.938	1.250
99552	5.508	5.516	0.807	1.000	5.945	1.250
99560	5.621	5.629	0.875	1.000	6.188	1.812
99562	5.726	5.734	0.563	0.750	6.100	1.938
99571	5.699	5.709	0.750	0.875	6.100	1.812
99575	5.746	5.754	0.813	1.000	6.180	1.750
99587	5.871	5.879	1.000	1.250	6.188	1.313
99595	5.895	5.905	1.024	1.181	6.260	1.338
99596	5.934	5.942	1.000	1.125	6.375	1.875
99599	5.995	6.003	1.000	1.250	6.375	1.750
99601	5.995	6.003	0.500	0.750	6.360	1.750
99605	6.058	6.068	1.024	1.181	6.375	1.299
99606	6.092	6.102	1.024	1.181	6.500	1.299
99620	6.198	6.208	0.813	1.063	6.625	1.750
99625	6.245	6.255	1.031	1.250	6.625	1.750
99630	6.289	6.299	1.000	1.250	7.000	1.800
99640	6.683	6.693	1.250	1.496	7.188	1.750
99650	6.495	6.505	1.000	1.250	7.000	1.750
99675	6.745	6.755	0.813	1.063	7.125	1.750
99687	6.880	6.890	1.102	1.260	7.362	1.378
99700	6.995	7.005	1.000	1.250	7.500	1.750
99721	7.077	7.087	1.300	1.496	7.500	1.752
99725	7.244	7.254	1.250	1.500	7.760	2.175
99745	7.444	7.454	0.813	1.000	7.860	1.250
99750	7.495	7.505	0.813	1.000	7.875	1.250
99787	7.869	7.879	1.359	1.500	8.375	1.750
99800	7.995	8.005	1.000	1.250	8.375	1.750
99820	1.375	1.381	0.512	0.630	1.638	0.813
99832	1.872	1.878	0.563	0.688	2.203	1.000
99852	3.500	3.506	0.813	1.000	3.844	1.347
99854	3.935	3.941	0.813	1.000	4.313	2.050

NUMERIC SECTION

Numerical List Size & Type

O-RINGS

NUMERIC SECTION

Packaged Part No.	Width	ID	OD	Mat'l	Std. Unit Pack	Bulk Part No.	Bulk Unit Pack	Packaged Part No.	Width	ID	OD	Mat'l	Std. Unit Pack	Bulk Part No.	Bulk Unit Pack
001PKG	1/32"	1/32"	3/32"	S	5	001BULK	5	112-V35	3/32"	1/2"	11/16"	V	10		
002PKG	3/64"	3/64"	9/64"	S	10	002BULK	10	113PKG	3/32"	9/16"	3/4"	S	10	113BULK	10
003PKG	1/16"	1/16"	3/16"	S	5	003BULK	5	113-V35	3/32"	9/16"	3/4"	V	10		
004PKG	1/16"	5/64"	13/64"	S	5	004BULK	5	114PKG	3/32"	5/8"	13/16"	S	10	114BULK	10
005PKG	1/16"	3/32"	7/32"	S	5	005BULK	5	114-V35	3/32"	5/8"	13/16"	V	10		
006PKG	1/16"	1/8"	1/4"	S	20	006BULK	20	115PKG	3/32"	11/16"	7/8"	S	10	115BULK	10
006-V35	1/16"	1/8"	1/4"	V	10			115-V35	3/32"	11/16"	7/8"	V	5		
007PKG	1/16"	5/32"	9/32"	S	20	007BULK	20	116PKG	3/32"	3/4"	15/16"	S	10	116BULK	10
007-V35	1/16"	5/32"	9/32"	V	10			116-V35	3/32"	3/4"	15/16"	V	5		
008PKG	1/16"	3/16"	5/16"	S	20	008BULK	20	117PKG	3/32"	13/16"	1"	S	10	117BULK	10
008-V35	1/16"	3/16"	5/16"	V	10			118PKG	3/32"	7/8"	1-1/16"	S	10	118BULK	10
009PKG	1/16"	7/32"	11/32"	S	20	009BULK	20	119PKG	3/32"	15/16"	1-1/8"	S	10	119BULK	10
009-V35	1/16"	7/32"	11/32"	V	10			120PKG	3/32"	1"	1-3/16"	S	10	120BULK	10
010PKG	1/16"	1/4"	3/8"	S	20	010BULK	20	121PKG	3/32"	1-1/16"	1-1/4"	S	10	121BULK	10
010-V35	1/16"	1/4"	3/8"	V	10			122PKG	3/32"	1-1/8"	1-5/16"	S	10	122BULK	10
011PKG	1/16"	5/16"	7/16"	S	20	011BULK	20	123PKG	3/32"	1-3/16"	1-3/8"	S	10	123BULK	10
011-V35	1/16"	5/16"	7/16"	V	10			124PKG	3/32"	1-1/4"	1-7/16"	S	10	124BULK	10
012PKG	1/16"	3/8"	1/2"	S	20	012BULK	20	125PKG	3/32"	1-5/16"	1-1/2"	S	10	125BULK	10
012-V35	1/16"	3/8"	1/2"	V	10			126PKG	3/32"	1-3/8"	1-9/16"	S	5	126BULK	5
013PKG	1/16"	7/16"	9/16"	S	10	013BULK	10	127PKG	3/32"	1-7/16"	1-5/8"	S	5	127BULK	5
014PKG	1/16"	1/2"	5/8"	S	10	014BULK	10	128PKG	3/32"	1-1/2"	1-11/16"	S	5	128BULK	5
015PKG	1/16"	9/16"	11/16"	S	10	015BULK	10	129PKG	3/32"	1-9/16"	1-3/4"	S	5	129BULK	5
016PKG	1/16"	5/8"	3/4"	S	10	016BULK	10	130PKG	3/32"	1-5/8"	1-13/16"	S	5	130BULK	5
017PKG	1/16"	11/16"	13/16"	S	10	017BULK	10	131PKG	3/32"	1-11/16"	1-7/8"	S	5	131BULK	5
018PKG	1/16"	3/4"	7/8"	S	10	018BULK	10	132PKG	3/32"	1-3/4"	1-15/16"	S	5	132BULK	5
019PKG	1/16"	13/16"	15/16"	S	10	019BULK	10	133PKG	3/32"	1-13/16"	2"	S	5	133BULK	5
020PKG	1/16"	7/8"	1"	S	10	020BULK	10	134PKG	3/32"	1-7/8"	2-1/16"	S	5	134BULK	5
021PKG	1/16"	15/16"	1-1/16"	S	10	021BULK	10	135PKG	3/32"	1-15/16"	2-1/8"	S	5	135BULK	5
022PKG	1/16"	1"	1-1/8"	S	10	022BULK	10	136PKG	3/32"	2"	2-3/16"	S	5	136BULK	5
023PKG	1/16"	1-1/16"	1-3/16"	S	10	023BULK	10	137PKG	3/32"	2-1/16"	2-1/4"	S	5	137BULK	5
024PKG	1/16"	1-1/8"	1-1/4"	S	10	024BULK	10	138PKG	3/32"	2-1/8"	2-5/16"	S	5	138BULK	5
025PKG	1/16"	1-3/16"	1-5/16"	S	10	025BULK	10	139PKG	3/32"	2-3/16"	2-3/8"	S	5	139BULK	5
026PKG	1/16"	1-1/4"	1-3/8"	S	10	026BULK	10	140PKG	3/32"	2-1/4"	2-7/16"	S	5	140BULK	5
027PKG	1/16"	1-5/16"	1-7/16"	S	10	027BULK	10	141PKG	3/32"	2-5/16"	2-1/2"	S	5	141BULK	5
028PKG	1/16"	1-3/8"	1-1/2"	S	10	028BULK	10	142PKG	3/32"	2-3/8"	2-9/16"	S	5	142BULK	5
029PKG	1/16"	1-1/2"	1-5/8"	S	5	029BULK	5	143PKG	3/32"	2-7/16"	2-5/8"	S	5	143BULK	5
030PKG	1/16"	1-5/8"	1-3/4"	S	5	030BULK	5	144PKG	3/32"	2-1/2"	2-11/16"	S	5	144BULK	5
031PKG	1/16"	1-3/4"	1-7/8"	S	5	031BULK	5	145PKG	3/32"	2-9/16"	2-3/4"	S	5	145BULK	5
032PKG	1/16"	1-7/8"	2"	S	5	032BULK	5	146PKG	3/32"	2-5/8"	2-13/16"	S	5	146BULK	5
033PKG	1/16"	2"	2-1/8"	S	5	033BULK	5	147PKG	3/32"	2-11/16"	2-7/8"	S	5	147BULK	5
034PKG	1/16"	2-1/8"	2-1/4"	S	5	034BULK	5	148PKG	3/32"	2-3/4"	2-15/16"	S	5	148BULK	5
035PKG	1/16"	2-1/4"	2-3/8"	S	5	035BULK	5	149PKG	3/32"	2-13/16"	3"	S	5	149BULK	5
036PKG	1/16"	2-3/8"	2-1/2"	S	5	036BULK	5	150PKG	3/32"	2-7/8"	3-1/16"	S	5	150BULK	5
037PKG	1/16"	2-1/2"	2-5/8"	S	5	037BULK	5	151PKG	3/32"	3"	3-3/16"	S	5	151BULK	5
038PKG	1/16"	2-5/8"	2-3/4"	S	5	038BULK	5	152PKG	3/32"	3-1/4"	3-7/16"	S	5	152BULK	5
039PKG	1/16"	2-3/4"	2-7/8"	S	5	039BULK	5	153PKG	3/32"	3-1/2"	3-11/16"	S	5	153BULK	5
040PKG	1/16"	2-7/8"	3"	S	5	040BULK	5	154PKG	3/32"	3-3/4"	3-15/16"	S	5	154BULK	5
041PKG	1/16"	3"	3-1/8"	S	5	041BULK	5	155PKG	3/32"	4"	4-3/16"	S	5	155BULK	5
042PKG	1/16"	3-1/4"	3-3/8"	S	5	042BULK	5	210PKG	1/8"	3/4"	1"	S	10	210BULK	10
043PKG	1/16"	3-1/2"	3-5/8"	S	5	043BULK	5	210-V35	1/8"	3/4"	1"	V	5		
044PKG	1/16"	3-3/4"	3-7/8"	S	5	044BULK	5	211PKG	1/8"	13/16"	1-1/16"	S	10	211BULK	10
045PKG	1/16"	4"	4-1/8"	S	5	045BULK	5	211-V35	1/8"	13/16"	1-1/16"	V	5		
110PKG	3/32"	3/8"	9/16"	S	20	110BULK	20	212PKG	1/8"	7/8"	1-1/8"	S	10	212BULK	10
110-V35	3/32"	3/8"	9/16"	V	10			212-V35	1/8"	7/8"	1-1/8"	V	5		
111PKG	3/32"	7/16"	5/8"	S	20	111BULK	20	213PKG	1/8"	15/16"	1-3/16"	S	10	213BULK	10
111-V35	3/32"	7/16"	5/8"	V	10			213-V35	1/8"	15/16"	1-3/16"	V	5		
112PKG	3/32"	1/2"	11/16"	S	20	112BULK	20	214PKG	1/8"	1"	1-1/4"	S	10	214BULK	10

Numerical List Size & Type

O-RINGS



Packaged Part No.	Width	ID	OD	Mat'l	Std. Unit Pack	Bulk Part No.	Bulk Unit Pack	Packaged Part No.	Width	ID	OD	Mat'l	Std. Unit Pack	Bulk Part No.	Bulk Unit Pack
214-V35	1/8"	1"	1-1/4"	V	5			263PKG	1/8"	7-1/4"	7-1/2"	S	5	263BULK	5
215PKG	1/8"	1-1/16"	1-5/16"	S	10	215BULK	10	264PKG	1/8"	7-1/2"	7-3/4"	S	5	264BULK	5
215-V35	1/8"	1-1/16"	1-5/16"	V	5			265PKG	1/8"	7-3/4"	8"	S	5	265BULK	5
216PKG	1/8"	1-1/8"	1-3/8"	S	10	216BULK	10	266PKG	1/8"	8"	8-1/4"	S	5	266BULK	5
216-V35	1/8"	1-1/8"	1-3/8"	V	2			267PKG	1/8"	8-1/4"	8-1/2"	S	5	267BULK	5
217PKG	1/8"	1-3/16"	1-7/16"	S	10	217BULK	10	268PKG	1/8"	8-1/2"	8-3/4"	S	5	268BULK	5
217-V35	1/8"	1-3/16"	1-7/16"	V	2			269PKG	1/8"	8-3/4"	9"	S	5	269BULK	5
218PKG	1/8"	1-1/4"	1-1/2"	S	10	218BULK	10	270PKG	1/8"	9"	9-1/4"	S	5	270BULK	5
218-V35	1/8"	1-1/4"	1-1/2"	V	2			271PKG	1/8"	9-1/4"	9-1/2"	S	5	271BULK	5
219PKG	1/8"	1-5/16"	1-9/16"	S	10	219BULK	10	272PKG	1/8"	9-1/2"	9-3/4"	S	5	272BULK	5
219-V35	1/8"	1-5/16"	1-9/16"	V	2			273PKG	1/8"	9-3/4"	10"	S	5	273BULK	5
220PKG	1/8"	1-3/8"	1-5/8"	S	10	220BULK	10	274PKG	1/8"	10"	10-1/4"	S	5	274BULK	5
220-V35	1/8"	1-3/8"	1-5/8"	V	2			325PKG	3/16"	1-1/2"	1-7/8"	S	5	325BULK	5
221PKG	1/8"	1-7/16"	1-11/16"	S	10	221BULK	10	325-V35	3/16"	1-1/2"	1-7/8"	V	2		
221-V35	1/8"	1-7/16"	1-11/16"	V	2			326PKG	3/16"	1-5/8"	2"	S	5	326BULK	5
222PKG	1/8"	1-1/2"	1-3/4"	S	10	222BULK	10	326-V35	3/16"	1-5/8"	2"	V	2		
222-V35	1/8"	1-1/2"	1-3/4"	V	2			327PKG	3/16"	1-3/4"	2-1/8"	S	5	327BULK	5
223PKG	1/8"	1-5/8"	1-7/8"	S	10	223BULK	10	327-V35	3/16"	1-3/4"	2-1/8"	V	2		
224PKG	1/8"	1-3/4"	2"	S	10	224BULK	10	328PKG	3/16"	1-7/8"	2-1/4"	S	5	328BULK	5
225PKG	1/8"	1-7/8"	2-1/8"	S	10	225BULK	10	329PKG	3/16"	2"	2-3/8"	S	5	329BULK	5
226PKG	1/8"	2"	2-1/4"	S	10	226BULK	10	330PKG	3/16"	2-1/8"	2-1/2"	S	5	330BULK	5
227PKG	1/8"	2-1/8"	2-3/8"	S	10	227BULK	10	331PKG	3/16"	2-1/4"	2-5/8"	S	5	331BULK	5
228PKG	1/8"	2-1/4"	2-1/2"	S	10	228BULK	10	332PKG	3/16"	2-3/8"	2-3/4"	S	5	332BULK	5
229PKG	1/8"	2-3/8"	2-5/8"	S	10	229BULK	10	333PKG	3/16"	2-1/2"	2-7/8"	S	5	333BULK	5
230PKG	1/8"	2-1/2"	2-3/4"	S	10	230BULK	10	334PKG	3/16"	2-5/8"	3"	S	5	334BULK	5
231PKG	1/8"	2-5/8"	2-7/8"	S	10	231BULK	10	335PKG	3/16"	2-3/4"	3-1/8"	S	5	335BULK	5
232PKG	1/8"	2-3/4"	3"	S	10	232BULK	10	336PKG	3/16"	2-7/8"	3-1/4"	S	5	336BULK	5
233PKG	1/8"	2-7/8"	3-1/8"	S	10	233BULK	10	337PKG	3/16"	3"	3-3/8"	S	5	337BULK	5
234PKG	1/8"	3"	3-1/4"	S	10	234BULK	10	338PKG	3/16"	3-1/8"	3-1/2"	S	5	338BULK	5
235PKG	1/8"	3-1/8"	3-3/8"	S	10	235BULK	10	339PKG	3/16"	3-1/4"	3-5/8"	S	5	339BULK	5
236PKG	1/8"	3-1/4"	3-1/2"	S	10	236BULK	10	340PKG	3/16"	3-3/8"	3-3/4"	S	5	340BULK	5
237PKG	1/8"	3-3/8"	3-5/8"	S	10	237BULK	10	341PKG	3/16"	3-1/2"	3-7/8"	S	5	341BULK	5
238PKG	1/8"	3-1/2"	3-3/4"	S	10	238BULK	10	342PKG	3/16"	3-5/8"	4"	S	5	342BULK	5
239PKG	1/8"	3-5/8"	3-7/8"	S	10	239BULK	10	343PKG	3/16"	3-3/4"	4-1/8"	S	5	343BULK	5
240PKG	1/8"	3-3/4"	4"	S	10	240BULK	10	344PKG	3/16"	3-7/8"	4-1/4"	S	5	344BULK	5
241PKG	1/8"	3-7/8"	4-1/8"	S	10	241BULK	10	345PKG	3/16"	4"	4-3/8"	S	5	345BULK	5
242PKG	1/8"	4"	4-1/4"	S	10	242BULK	10	346PKG	3/16"	4-1/8"	4-1/2"	S	5	346BULK	5
243PKG	1/8"	4-1/8"	4-3/8"	S	10	243BULK	10	347PKG	3/16"	4-1/4"	4-5/8"	S	5	347BULK	5
244PKG	1/8"	4-1/4"	4-1/2"	S	10	244BULK	10	348PKG	3/16"	4-3/8"	4-3/4"	S	2	348BULK	2
245PKG	1/8"	4-3/8"	4-5/8"	S	10	245BULK	10	349PKG	3/16"	4-1/2"	4-7/8"	S	2	349BULK	2
246PKG	1/8"	4-1/2"	4-3/4"	S	5	246BULK	5	357PKG	3/16"	5-1/2"	5-7/8"	S	2	357BULK	2
247PKG	1/8"	4-5/8"	4-7/8"	S	5	247BULK	5	425PKG	1/4"	4-1/2"	5"	S	2	425BULK	2
248PKG	1/8"	4-3/4"	5"	S	5	248BULK	5	426PKG	1/4"	4-5/8"	5-1/8"	S	2	426BULK	2
249PKG	1/8"	4-7/8"	5-1/8"	S	5	249BULK	5	427PKG	1/4"	4-3/4"	5-1/4"	S	2	427BULK	2
250PKG	1/8"	5"	5-1/4"	S	5	250BULK	5	428PKG	1/4"	4-7/8"	5-3/8"	S	2	428BULK	2
251PKG	1/8"	5-1/8"	5-3/8"	S	5	251BULK	5	429PKG	1/4"	5"	5-1/2"	S	2	429BULK	2
252PKG	1/8"	5-1/4"	5-1/2"	S	5	252BULK	5	430PKG	1/4"	5-1/8"	5-5/8"	S	2	430BULK	2
253PKG	1/8"	5-3/8"	5-5/8"	S	5	253BULK	5	431PKG	1/4"	5-1/4"	5-3/4"	S	2	431BULK	2
254PKG	1/8"	5-1/2"	5-3/4"	S	5	254BULK	5	432PKG	1/4"	5-3/8"	5-7/8"	S	2	432BULK	2
255PKG	1/8"	5-5/8"	5-7/8"	S	5	255BULK	5	433PKG	1/4"	5-1/2"	6"	S	2	433BULK	2
256PKG	1/8"	5-3/4"	6"	S	5	256BULK	5	434PKG	1/4"	5-5/8"	6-1/8"	S	2	434BULK	2
257PKG	1/8"	5-7/8"	6-1/8"	S	5	257BULK	5	435PKG	1/4"	5-3/4"	6-1/4"	S	2	435BULK	2
258PKG	1/8"	6"	6-1/4"	S	5	258BULK	5	436PKG	1/4"	5-7/8"	6-3/8"	S	2	436BULK	2
259PKG	1/8"	6-1/4"	6-1/2"	S	5	259BULK	5	437PKG	1/4"	6"	6-1/2"	S	2	437BULK	2
260PKG	1/8"	6-1/2"	6-3/4"	S	5	260BULK	5	438PKG	1/4"	6-1/4"	6-3/4"	S	2	438BULK	2
261PKG	1/8"	6-3/4"	7"	S	5	261BULK	5	439PKG	1/4"	6-1/2"	7"	S	2	439BULK	2
262PKG	1/8"	7"	7-1/4"	S	5	262BULK	5	440PKG	1/4"	6-3/4"	7-1/4"	S	2	440BULK	2

NUMERIC SECTION

Numerical List Size & Type

O-RINGS

NUMERIC SECTION

Packaged Part No.	Width	ID	OD	Mat'l	Std. Unit Pack	Bulk Part No.	Bulk Unit Pack
441PKG	1/4"	7"	7-1/2"	S	2	441BULK	2
442PKG	1/4"	7-1/4"	7-3/4"	S	2	442BULK	2
443PKG	1/4"	7-1/2"	8"	S	2	443BULK	2
444PKG	1/4"	7-3/4"	8-1/4"	S	2	444BULK	2
445PKG	1/4"	8"	8-1/2"	S	2	445BULK	2
446PKG	1/4"	8-1/2"	9"	S	2	446BULK	2
447PKG	1/4"	9"	9-1/2"	S	2	447BULK	2
448PKG	1/4"	9-1/2"	10"	S	2	448BULK	2
449PKG	1/4"	10"	10-1/2"	S	1	449BULK	1
450PKG	1/4"	10-1/2"	11"	S	1	450BULK	1
451PKG	1/4"	11"	11-1/2"	S	1	451BULK	1
452PKG	1/4"	11-1/2"	12"	S	1	452BULK	1
453PKG	1/4"	12"	12-1/2"	S	1	453BULK	1
454PKG	1/4"	12-1/2"	13"	S	1	454BULK	1
455PKG	1/4"	13"	13-1/2"	S	1	455BULK	1
456PKG	1/4"	13-1/2"	14"	S	1	456BULK	1
457PKG	1/4"	14"	14-1/2"	S	1	457BULK	1
458PKG	1/4"	14-1/2"	15"	S	1	458BULK	1
459PKG	1/4"	15"	15-1/2"	S	1	459BULK	1
460PKG	1/4"	15-1/2"	16"	S	1	460BULK	1
6003020	2,00	3,00	7,00	S	5		
6004020	2,00	4,00	8,00	S	5		
6005020	2,00	5,00	9,00	S	5		
6006020	2,00	6,00	10,00	S	5		
6007020	2,00	7,00	11,00	S	5		
6008020	2,00	8,00	12,00	S	5		
6010020	2,00	10,00	14,00	S	5		
6010025	2,50	3,00	15,00	S	5		
6011025	2,50	4,00	16,00	S	5		
6012025	2,50	5,00	17,00	S	5		
6014025	2,50	6,00	19,00	S	5		
6016025	2,50	7,00	21,00	S	5		
6017025	2,50	8,00	22,00	S	5		
6019025	2,50	10,00	24,00	S	5		
6019030	3,00	19,00	25,00	S	5		
6020030	3,00	20,00	26,00	S	5		
6022030	3,00	22,00	28,00	S	5		
6024030	3,00	24,00	30,00	S	5		
6025030	3,00	25,00	31,00	S	5		
6027030	3,00	27,00	33,00	S	5		
6028030	3,00	28,00	34,00	S	5		
6030030	3,00	30,00	36,00	S	5		
6032030	3,00	32,00	38,00	S	5		
6033030	3,00	33,00	39,00	S	5		
6035030	3,00	35,00	41,00	S	5		
6036030	3,00	36,00	42,00	S	5		
6038030	3,00	38,00	44,00	S	5		
6038040	4,00	38,00	46,00	S	5		
6041040	4,00	41,00	49,00	S	5		
6044040	4,00	44,00	52,00	S	5		

OK 311

Designed for emergency maintenance, this kit reduces downtime to a minimum by providing quick and easy selection of the proper replacement O-rings. O-rings in this kit are all nitrile (BUNA-N) rubber and in popular inch dimensions from 1/4" O.D. to 2 1/8" O.D. in thirty sizes

Kit Part	I.D.	O.D.	Width	Pcs.	Refill
006	1/8"	1/4"	1/16"	20	006PKG
007	5/32"	9/32"	1/16"	20	007PKG
008	3/16"	5/16"	1/16"	20	008PKG
009	7/32"	1 1/32"	1/16"	20	009PKG
010	1/4"	3/8"	1/16"	20	010PKG
011	5/16"	7/16"	1/16"	20	011PKG
012	3/8"	1/2"	1/16"	20	012PKG
110	3/8"	9/16"	3/32"	13	110PKG
111	7/16"	5/8"	3/32"	13	111PKG
112	1/2"	1 1/16"	3/32"	13	112PKG
113	9/16"	3/4"	3/32"	13	113PKG
114	5/8"	13/16"	3/32"	13	114PKG
115	1 1/16"	7/8"	3/32"	13	115PKG
116	3/4"	15/16"	3/32"	13	116PKG
210	3/4"	1"	1/8"	10	210PKG
211	13/16"	1 1/16"	1/8"	10	211PKG
212	7/8"	1 1/8"	1/8"	10	212PKG
213	15/16"	1 3/16"	1/8"	10	213PKG
214	1"	1 1/4"	1/8"	10	214PKG
215	1 1/16"	1 5/16"	1/8"	10	215PKG
216	1 1/8"	1 3/8"	1/8"	10	216PKG
217	1 3/16"	1 7/16"	1/8"	10	217PKG
218	1 1/4"	1 1/2"	1/8"	10	218PKG
219	1 5/16"	1 9/16"	1/8"	10	219PKG
220	1 3/8"	1 5/8"	1/8"	10	220PKG
221	1 7/16"	1 11/16"	1/8"	10	221PKG
222	1 1/2"	1 3/4"	1/8"	10	222PKG
325	1 1/2"	1 7/8"	3/16"	7	325PKG
326	1 5/8"	2"	3/16"	7	326PKG
327	1 3/4"	2 1/8"	3/16"	7	327PKG

OK 312

For metric applications, you will never have to guess which O-rings to use again. The OK-312 metric O-ring kit gives you 30 sizes of metric O-rings, from 7mm O.D. to 52mm O.D., made from nitrile rubber. This kit allows you to have the correct O-ring for your metric application

Kit Part	I.D.	O.D.	Width	Pcs.	Refill
6003020	3 mm	7 mm	2 mm	16	6003020
6004020	4 mm	8 mm	2 mm	16	6004020
6005020	5 mm	9 mm	2 mm	16	6005020
6006020	6 mm	10 mm	2 mm	16	6006020
6007020	7 mm	11 mm	2 mm	16	6007020
6008020	8 mm	12 mm	2 mm	16	6008020
6010020	10 mm	14 mm	2 mm	16	6010020
6010025	10 mm	15 mm	2.5 mm	13	6010025
6011025	11 mm	16 mm	2.5 mm	13	6011025
6012025	12 mm	17 mm	2.5 mm	13	6012025
6014025	14 mm	19 mm	2.5 mm	13	6014025
6016025	16 mm	21 mm	2.5 mm	13	6016025
6017025	17 mm	22 mm	2.5 mm	13	6017025
6019025	19 mm	24 mm	2.5 mm	13	6019025
6019030	19 mm	25 mm	3 mm	12	6019030
6020030	20 mm	26 mm	3 mm	12	6020030
6022030	22 mm	28 mm	3 mm	12	6022030
6024030	24 mm	30 mm	3 mm	12	6024030
6025030	25 mm	31 mm	3 mm	12	6025030
6027030	27 mm	33 mm	3 mm	12	6027030
6028030	28 mm	34 mm	3 mm	12	6028030
6030030	30 mm	36 mm	3 mm	12	6030030
6032030	32 mm	38 mm	3 mm	12	6032030
6033030	33 mm	39 mm	3 mm	12	6033030
6035030	35 mm	41 mm	3 mm	12	6035030
6036030	36 mm	42 mm	3 mm	12	6036030
6038030	38 mm	44 mm	3 mm	11	6038030
6038040	38 mm	46 mm	4 mm	9	6038040
6041040	41 mm	49 mm	4 mm	9	6041040
6044040	44 mm	52 mm	4 mm	9	6044040

OK 411

Designed for use in higher temperatures or particularly punishing applications, the O-rings in this kit are made from a super-durable fluoroelastomer. The kit provides O-rings in 30 popular sizes, in inch dimensions from 1/4" O.D. to 2 1/8" O.D.

Kit Part	I.D.	O.D.	Width	Pcs.	Refill
006V35	1/8"	1/4"	1/16"	10	006V35
007V35	5/32"	9/32"	1/16"	10	007V35
008V35	3/16"	5/16"	1/16"	10	008V35
009V35	7/32"	1 1/32"	1/16"	10	009V35
010V35	1/4"	3/8"	1/16"	10	010V35
011V35	5/16"	7/16"	1/16"	10	011V35
012V35	3/8"	1/2"	1/16"	10	012V35
110V35	3/8"	9/16"	3/32"	10	110V35
111V35	7/16"	5/8"	3/32"	10	111V35
112V35	1/2"	1 1/16"	3/32"	10	112V35
113V35	9/16"	3/4"	3/32"	10	113V35
114V35	5/8"	13/16"	3/32"	10	114V35
115V35	1 1/16"	7/8"	3/32"	5	115V35
116V35	3/4"	15/16"	3/32"	5	116V35
210V35	3/4"	1"	1/8"	5	210V35
211V35	13/16"	1 1/16"	1/8"	5	211V35
212V35	7/8"	1 1/8"	1/8"	5	212V35
213V35	15/16"	1 3/16"	1/8"	5	213V35
214V35	1"	1 1/4"	1/8"	5	214V35
215V35	1 1/16"	1 5/16"	1/8"	5	215V35
216V35	1 1/8"	1 3/8"	1/8"	2	216V35
217V35	1 3/16"	1 7/16"	1/8"	2	217V35
218V35	1 1/4"	1 1/2"	1/8"	2	218V35
219V35	1 5/16"	1 9/16"	1/8"	2	219V35
220V35	1 3/8"	1 5/8"	1/8"	2	220V35
221V35	1 7/16"	1 11/16"	1/8"	2	221V35
222V35	1 1/2"	1 3/4"	1/8"	2	222V35
325V35	1 1/2"	1 7/8"	3/16"	2	325V35
326V35	1 5/8"	2"	3/16"	2	326V35
327V35	1 3/4"	2 1/8"	3/16"	2	327V35

* O-Ring Gage (MD-999) sold separately. Individual O-Rings can be purchased separately

COMPETITIVE INTERCHANGES

Mfr Abbrev	Mfr	Mfr Abbrev	Mfr	Mfr Abbrev	Mfr
<i>AA&M</i>	AAM	<i>BOWEN</i>	Bowen Mc Laughlin	<i>COTTA</i>	Cotta Transmission
<i>AAMCO</i>	AAMCO	<i>BR-ST</i>	Briggs & Stratton	<i>CR-CF</i>	Chris-Craft Marine
<i>ACDEL</i>	A/C Delco	<i>BR-WN</i>	Braden Wnch	<i>CROSL</i>	Crosley
<i>ACF</i>	ACF Ind.(Carter Carb	<i>BRAD</i>	David Bradley Mfg. W	<i>CROSS</i>	Cross Co.
<i>ACURA</i>	Acura	<i>BRADF</i>	Brad Foote Gear Work	<i>CROWN</i>	Crown Coach
<i>ADAMS</i>	Adams	<i>BRCWY</i>	Brockway	<i>CTD</i>	Canadian Tool & Die
<i>AIRCO</i>	Aircooled Motors	<i>BREDA</i>	Breda	<i>CUMMI</i>	Cummins
<i>AJUSA</i>	Ajusa	<i>BRWNG</i>	Browning Mfg.	<i>CURTS</i>	Curtis Machine
<i>AL-KO</i>	AL-KO Kober	<i>BTM</i>	Bantam	<i>CUSH</i>	Cushman
<i>ALFAR</i>	Alfa Romeo	<i>BU-SP</i>	Buff Springfld Roll	<i>CYCLO</i>	Cycloblower Co.
<i>ALLCH</i>	Allis-Chalmers	<i>BUC-E</i>	Bucyrus-Erie	<i>DAEWO</i>	Daewoo
<i>ALLIS</i>	Allison	<i>BUDD</i>	Budd Co.	<i>DAF</i>	DAF
<i>ALOY</i>	Alloy Mfg.	<i>BUSHH</i>	Bush Hog	<i>DAIHA</i>	Daihatsu
<i>ALTFO</i>	Alten Fndry & Mach	<i>BUTBN</i>	Butler Bin	<i>DALMO</i>	Dalmo Victor
<i>AM BO</i>	American Bosch	<i>BWP</i>	BWP	<i>DANA</i>	Dana
<i>AM BR</i>	American Brake Shoe	<i>C-P</i>	Chicago Pneumatic	<i>DANMA</i>	Danuser Machine Work
<i>AM CA</i>	American Can Co.	<i>C-R</i>	Chicago Rawhide	<i>DAVEY</i>	Davey Compressor
<i>AM CH</i>	American Chain	<i>C-W</i>	Curtiss-Wright	<i>DAVIS</i>	Davis Mfg. Co.
<i>AM HO</i>	Amer Hoist & Derrick	<i>CABOT</i>	Cabot Shops Inc.	<i>DCORP</i>	Dyna Co.
<i>AM MA</i>	American Marietta Co	<i>CALI</i>	California Pellet	<i>DE-AL</i>	Deutz-Allis
<i>AM WH</i>	American Wheelabrato	<i>CALSO</i>	E L Caldwell & Sons	<i>DEMPC</i>	Dempster Pumps Co.
<i>AMC</i>	AMC	<i>CANAD</i>	Canadian Car & Found	<i>DENCO</i>	Dennis Co
<i>AMGEN</i>	AM General	<i>CARDX</i>	Cardox Co.	<i>DETRO</i>	Detroit Diesel
<i>ARMCO</i>	Armco Steel	<i>CARVR</i>	Carver Pump Co.	<i>DEVIL</i>	Devilbliss Co.
<i>AS568</i>	SAE Size Standard	<i>CASE</i>	Case	<i>DEXTE</i>	Dexter Axle
<i>ASTON</i>	Aston Martin	<i>CATER</i>	Caterpillar	<i>DEXTR</i>	Dexter Axle Co.
<i>AT IM</i>	Atlas Imperial Diese	<i>CEMAC</i>	Cemac Vacuum	<i>DGASK</i>	Detroit Gasket
<i>AT SU</i>	Atlas Supply	<i>CENTC</i>	Centric Parts	<i>DIA</i>	Diamond-T
<i>AT-PL</i>	Athens Plow	<i>CEW</i>	CEW	<i>DICO</i>	Dico
<i>ATHEY</i>	Athey Products	<i>CH MA</i>	Charles Machine Work	<i>DISOG</i>	Disogrin
<i>ATLAS</i>	Atlas Mfg. Co.	<i>CHALL</i>	Challenge Cook	<i>DIVCO</i>	Divco
<i>ATP</i>	ATP	<i>CHAMP</i>	Champion Carrier	<i>DODGE</i>	Dodge
<i>AU-LI</i>	Auto Lite	<i>CHECK</i>	Checker	<i>DODM</i>	Dodge Mfg.
<i>AU-WS</i>	Austin-Western	<i>CHEL</i>	Chelsea	<i>DOMGA</i>	Dominion Gasket
<i>AUBUR</i>	Auburn	<i>CHERY</i>	Cherry Burrell Co.	<i>DOMIN</i>	Dominion Road Machin
<i>AUDI</i>	Audi	<i>CHRYL</i>	Chrysler	<i>DRESS</i>	Dresser Industry
<i>AUTOB</i>	Autobianchi	<i>CINMI</i>	Cinn Milling Mach	<i>DRMAN</i>	Dorman
<i>AUTSP</i>	Auto Specialties	<i>CITRO</i>	Citroen	<i>DTCOM</i>	DT Components
<i>AVANT</i>	Avanti	<i>CLARK</i>	Clark	<i>DURA</i>	Dura
<i>AVCO</i>	Avco	<i>CLAYE</i>	Clay Equipment	<i>EARTH</i>	Earthmaster
<i>AXILO</i>	Axilok	<i>CLAYN</i>	Clayton Mfg. Co.	<i>EATON</i>	Eaton
<i>B-L-H</i>	Baldwin-Lima-Hamilto	<i>CLEVI</i>	MAHLE-Clevite Engine	<i>EBARR</i>	e-Barrier
<i>BADGE</i>	Badger Northland	<i>CLIMX</i>	Climax	<i>EBERH</i>	Eberhardt Denver
<i>BARRE</i>	Barrentine Mfg.	<i>CLIN</i>	Clinton Engines	<i>EIMCO</i>	Eimco
<i>BARTL</i>	Bartell	<i>CLOYE</i>	Cloyes Gear	<i>EL-MO</i>	Electric Motors
<i>BAT</i>	BATCO	<i>CLSON</i>	Clarkson (National M	<i>EL-PA</i>	Elwell-Parker
<i>BCABG</i>	BCA Bearings	<i>CLSTL</i>	Cleveland Steel Prod	<i>EL-WH</i>	Electric Wheel
<i>BE-</i>	Bruss Espana (F.M. E	<i>COC</i>	Cockshutt	<i>ELGIN</i>	Elgin
<i>BE-AR</i>	Beck/Arnley	<i>COFAP</i>	Cofap	<i>ELRNG</i>	Elring
<i>BEDFO</i>	Bedford	<i>COLLS</i>	Collins Radio Co.	<i>EMRSN</i>	Emerson Electric
<i>BEHLN</i>	Behlen Mfg. Co.	<i>CONCA</i>	Continental Can Co.	<i>EMSCO</i>	Emsco Corp
<i>BENDI</i>	Bendix-Westinghouse	<i>COND</i>	Consolidated Diesel	<i>ESSIC</i>	Essick Mfg. Co.
<i>BENTL</i>	Bentley	<i>CONDC</i>	Condec Co.	<i>EUCLD</i>	Euclid
<i>BGA</i>	BGAutomotive	<i>CONE</i>	Cone Drive Gears	<i>EUROS</i>	Eurospares
<i>BL-KN</i>	Blaw Knox	<i>CONME</i>	ConMet	<i>EVERS</i>	Eversman Mfg. Co.
<i>BLUE</i>	John Blue Co.	<i>CONSL</i>	Consolidated Bearing	<i>F-R-H</i>	Fate-Roote-Heath
<i>BMW</i>	BMW	<i>CONST</i>	Const Machy Sales Co	<i>FABCO</i>	Fabco
<i>BORGW</i>	BorgWarner	<i>CONTI</i>	Continental	<i>FAFNI</i>	Fafnir Bearing
<i>BOSS</i>	Boss Seals	<i>COOK</i>	Cook Brothers Equipm	<i>FAIRB</i>	Fairbanks-Morse
<i>BOSTN</i>	Boston Gear	<i>CORTE</i>	Corteco	<i>FAIRM</i>	Fairmont Railway Mot

COMPETITIVE INTERCHANGES

TIMKEN®

Mfr Abbrev	Mfr	Mfr Abbrev	Mfr	Mfr Abbrev	Mfr
FALKC	Falk Corp	HEIL	Heil	LAMBO	Lamborghini
FAWIC	Fawick Airflex Co	HENDR	Hendrickson	LANCA	Lancia
FBG	Febi Bilstein GMBH &	HENRY	Henry Mfg	LAU	Lauson (OEM)
FED	Federal	HERCU	Hercules	LAVIN	Lavine Gear Co
FI-AL	Fiat Allis	HESST	Hesston	LAVOI	Lavoie Laboratories
FI-CO	Filper Co.	HI-EQ	Highway Equipment	LAWN	Lawn Boy
FIAT	Fiat	HINO	Hino	LAZOR	Lazorlite
FIRES	Firestone	HK-SY	Hawker-siddeley	LEECE	Leece Neville Co
FITZ	Fitzgerald	HOLT	Holt Mfg	LEMCO	Lempco
FLXIB	Flxible	HONDA	Honda	LEROI	Leroi
FMC	FMC Copr	HOUGH	Hough	LETN	Le Tourneau-Westingh
FME	Federal-Mogul (De Es	HR-DV	Harley-davidson	LEYLA	Leyland
FMS	FM Superseded Number	HU-WR	Huber-warco	LEYLD	British Leylands
FOOTE	Foot Brothers Gear	HUB-C	Hub City Iron	LF-PT	Lift Parts Mfg Inc
FORBE	Ford Europe	HUGKE	Hughes-keenana	LIGET	Liggett Spring Axle
FORD	Ford	HUME	Hume Hd Co	LILIS	Lilliston
FORSH	Forsheada	HWY	Hi-way Trailers	LIMA	Lima Electric Mtrs
FPDSL	FP Diesel (Competito	HYST	Hyster	LK-BT	Link Belt
FR-HT	French & Hecht	HYUND	Hyundai	LOKWD	Lockwood Div
FREIG	Freightliner	IAPCO	Iapco	LONG	Long
FRKLN	Franklin Equipment	IDECO	Ideco	LUF	Lufkin Industries
FRUEH	Fruehauf	IG-RA	Ingersoll Rand	MA-PR	Marine Products
FT-WA	Fort Wayne Truck Par	IH	International	MACK	Mack
FULLE	Fuller	INTDE	International Derric	MAGAM	Magna American
FUNK	Funk	IPS	International Parts	MAGNA	Magna
FWD	FWD	IRON	Iron Fireman Mfg Co	MALL	Mall
GA-WO	Garland Works	ISUZU	Isuzu	MANT	Manitowoc
GABR	Gabriel	ITM	ITM	MARI	Marion Shovel
GACO	Gaco	IVECO	Iveco	MARMO	Marmon
GAL	Galion	JA-HE	Jack And Heintz Inc	MASER	Maserati
GARLK	Garlock	JA-MI	Jaeger Mixer	MASSE	Massey-Ferguson
GATES	Gates Manufacturing	JAC	Jacobsen	MASTE	Master Electric Co
GE	General Electric Cor	JAE	Jaeger	MATHR	Mather
GEHL	Gehl	JAGUA	Jaguar	MAZDA	Mazda
GEM	Gemmer	JEEP	Jeep	MC-CL	Mc Culloch
GERL	Gerlinger	JEFF	Jeffrey	MC-NO	McQuay-Norris
GETRA	Getrag	JN-MN	Johns-Manville	MCCOR	Mc Cord
GIB	Gibson	JNSON	Johnson Mfg Co	MCKIN	Mckinnon Ind
GILSN	Gilson Brothers	JOHND	John Deere	MECH	Mechanex
GKN	GKN	JOY	Joy	MERCE	Mercedes-Benz
GLASE	Glaser	JPAT	JP (Automatic Transm	MERCM	Mercury Marine
GMC	GMC	K-BAX	K-B Axle	MERIX	Meritor
GN-TI	General Tire	KELSE	Kelsey-Hayes	MESC	Mesaco
GO-TI	Goodyear Tire	KEN	Kenworth	MG	MG
GOETZ	Goetz	KERSH	Kershaw	MICH	Michigan (see Clark)
GOODM	Goodman	KEWNE	Kewanee Machine	MID	Midland Co
GR-DV	Gardner Denver	KIA	Kia	MID-R	Midland-Ross
GR-RP	Gorman Rupp	KINGN	Kingston Products Co	MIDAS	Midas
GRAM	Graham	KINNR	Kinner Motors	MIHLE	Miehle
GRAY	Gray Marine	KNICK	Knicker Bocker Co	MINMA	Minister Machine Co
GREEN	Green Ball Bearing	KOEH	Koehring	MINNM	Minneapolis-Moline
GROVE	Grove	KOHL	Kohler OEM	MISSI	Mission Mfg Co
GUARA	Guaranteed	KOMAT	Komatsu	MITSU	Mitsubishi
GUY	Guy	KP	K. P. Gasket	MIX	Mixing Equipment
GWJ	Gar Wood Industries	KRSE	Krause Plow	MIXMO	Mixermobile Mfg Co
H-S	Hall-Scott	KY-CL	Korody-Colyer	MO-CH	Morse Chain
HARN	Harnischfeger Corp	L&N	Leeds & Northrup	MO-CR	Motor Craft
HARRI	Harris Mfg Co	L&S	L & S Bearing	MOHWK	Mohawk Mfg
HART	Hart Carter Co	LABEQ	Laboratory Equipment	MOPAR	Mopar
HAYES	Hayes	LADA	Lada	MOTO	Moto Power

COMPETITIVE INTERCHANGES

Mfr Abbrev	Mfr	Mfr Abbrev	Mfr	Mfr Abbrev	Mfr
<i>MOTOR</i>	Motorcraft	<i>REX</i>	Rex Chain Belt Co.	<i>TRACS</i>	Trackless Tank Co.
<i>MTR-C</i>	Motor Coach Ind	<i>ROCKW</i>	Rockwell	<i>TRANG</i>	Transmission And Gea
<i>MURPH</i>	Murphy Diesel	<i>ROLLS</i>	Rolls-Royce	<i>TRANS</i>	Transtec
<i>MURRA</i>	Murray Corporation (<i>ROOTE</i>	Rootes	<i>TRASR</i>	Transtar
<i>MUSAS</i>	Musashi	<i>ROSS</i>	Ross Gear	<i>TREME</i>	Tremec
<i>MWKEL</i>	M W Kellogg Co	<i>ROTO</i>	Rototiller	<i>TRISL</i>	TriSeal
<i>MYERS</i>	Myers Sherman	<i>ROVER</i>	Rover	<i>TRMBL</i>	Trailmobile
<i>NAPCO</i>	Napco	<i>SAAB</i>	Saab	<i>TROS</i>	Trostel
<i>NAPD</i>	N.A.P.D.	<i>SABO</i>	Sabo Oil Seals Of Br	<i>TRSCM</i>	Transcom Oil Seals
<i>NATAU</i>	National Automatic T	<i>SANDV</i>	Sandvik	<i>TRUK</i>	Truckstell
<i>NATEN</i>	National Engineering	<i>SATUR</i>	Saturn	<i>TW-CO</i>	Twin Coach
<i>NATL</i>	National Seal Number	<i>SCAN</i>	Scania-vabis	<i>TW-DI</i>	Twin Disc
<i>NATSU</i>	National Supply Co.	<i>SCHWI</i>	Schwitzer Co.	<i>ULRIC</i>	Ulrich Products Co.
<i>NAVST</i>	Navistar	<i>SCOT</i>	Scott Atwater	<i>UNIT</i>	Unit Crane & Shovel
<i>NDEP</i>	New Departure	<i>SEALD</i>	Sealed Power	<i>UNIVE</i>	Universal
<i>NEHO</i>	New Holland	<i>SEALR</i>	Sealright Co.	<i>US-EL</i>	U.S.Electrical Motor
<i>NEWPR</i>	New Process (OEM)	<i>SEAMA</i>	Seaman Motors	<i>VAUXH</i>	Vauxhall
<i>NEWVR</i>	New Venture Gear	<i>SEAT</i>	Seat	<i>VERA</i>	Vera
<i>NISSA</i>	Nissan	<i>SELAS</i>	Selastomer	<i>VERSA</i>	Versatile
<i>NOK</i>	NOK	<i>SHEP</i>	Sheppard	<i>VIC</i>	Victor
<i>NORDG</i>	Nordberg Mfg. Co.	<i>SHOV</i>	Shovel Supply	<i>VICK</i>	Vickers
<i>NOVI</i>	Novi Equipment	<i>SIDEW</i>	Sidewinder	<i>VILA</i>	Villafane Auto Suppl
<i>NOVO</i>	Novo	<i>SIMPL</i>	Simplicity Tractor	<i>VMM</i>	VM Motori
<i>NPG</i>	New Process	<i>SIMRT</i>	Simrit	<i>VOLVO</i>	Volvo
<i>NRWST</i>	Northwest Engineerin	<i>SKF</i>	SKF	<i>VW</i>	VW
<i>O-M</i>	Outboard Marine	<i>SKIL</i>	Skilsaw	<i>W-PTS</i>	World Parts
<i>OILGR</i>	Oil Gear Co.	<i>SKODA</i>	Skoda	<i>WABCO</i>	Wabco
<i>OLIVE</i>	Oliver	<i>SNFLW</i>	Sunflower Implements	<i>WAGMA</i>	Wagner Tool & Machin
<i>ONAN</i>	Onan	<i>SOLAR</i>	Solar Division	<i>WAGNR</i>	Wagner Tractor
<i>OPEL</i>	Opel	<i>SPECI</i>	Specialty Products	<i>WALKE</i>	Walker Vehicle Co.
<i>OSHKO</i>	Oshkosh	<i>SPERY</i>	Sperry Rand	<i>WARNE</i>	Warner
<i>OTISE</i>	Otis Elevator	<i>SPICE</i>	Spicer	<i>WARNR</i>	Warner Gear
<i>OWS</i>	Oil Well Supply	<i>STAND</i>	Standard	<i>WAUKE</i>	Waukesha
<i>PAARS</i>	Paars Automotive	<i>STAR</i>	Starline	<i>WAYNE</i>	Wayne Mfg. Co.
<i>PACIF</i>	Pacific Car & Foundr	<i>STDFG</i>	Standard Forge	<i>WEBER</i>	Weber
<i>PAI</i>	PAI	<i>STEEL</i>	Steel Products Eng.	<i>WESTR</i>	Westrac Co
<i>PARGN</i>	Paragon Gear	<i>STEM</i>	Stemco	<i>WGEAR</i>	Western Gear Co.
<i>PARK</i>	Parkersburg	<i>STERL</i>	Sterling	<i>WHELA</i>	Wheland Co.
<i>PAYEN</i>	Payen Seal	<i>STN-S</i>	Standard Steel	<i>WHITE</i>	White
<i>PEERC</i>	Peerless Production	<i>STUDE</i>	Studebaker	<i>WILLY</i>	Willys Mfg.
<i>PERFC</i>	Perfection American	<i>SUBAR</i>	Subaru	<i>WILSO</i>	Wilson Mfg. Co.
<i>PERSN</i>	Pearson Ben	<i>SUL</i>	Sullivan	<i>WILYS</i>	Willys
<i>PETTI</i>	Pettibone-Mulliken	<i>SUPER</i>	Superior Diesel	<i>WIP-L</i>	Whip-I Crank Seals
<i>PEUGE</i>	Peugeot	<i>SUZUK</i>	Suzuki	<i>WISCO</i>	Wisconsin
<i>PINER</i>	Pioneer Products	<i>TALBO</i>	Talbot	<i>WITTE</i>	Witte
<i>PORSC</i>	Porsche	<i>TAYLR</i>	Taylor Machine Works	<i>WMG</i>	W. M. G.
<i>PORTR</i>	Portable Rig Co	<i>TEKNI</i>	Tekni Craft	<i>WOODB</i>	Wood Bros
<i>PREC</i>	Precision Engine Par	<i>TEREL</i>	Terrell Machine Co.	<i>WOOL</i>	Wooldridge
<i>PREST</i>	Prestolite	<i>TERX</i>	Terex	<i>Y-T</i>	Yale & Towne
<i>PUL</i>	Pullman Co.	<i>TEXAS</i>	Texas Iron Works	<i>YARD</i>	Yardman
<i>QUINT</i>	Quinton-Hazell	<i>THEW</i>	Thew Shovel	<i>YUGO</i>	Yugo
<i>RACIN</i>	Racine Tool & Machin	<i>THIOK</i>	Thiokol Chemical	<i>YUKON</i>	Yukon Gear
<i>RCA</i>	Rca	<i>TIMKE</i>	Timken	<i>ZF</i>	ZF
<i>READY</i>	Ready Power Co.	<i>TLSMI</i>	T. L. Smith Co.		
<i>REINZ</i>	Reinz	<i>TMTR</i>	Towmotor		
<i>RELEE</i>	Relianc Electric & E	<i>TORO</i>	Toro		
<i>RENAU</i>	Renault	<i>TOWNR</i>	Towner Mfg.		
<i>REO</i>	Reo	<i>TOYOT</i>	Toyota		
<i>REPUB</i>	Republic Gear	<i>TRAC</i>	Tractomotive		
<i>REULD</i>	Reuland Electric	<i>TRACN</i>	Trackson Co.		

COMPETITIVE INTERCHANGES



Mfr No.	Mfr.	National	Mfr No.	Mfr.	National	Mfr No.	Mfr.	National	Mfr No.	Mfr.	National
A1199R668	MERIX	411253	A1205B2264	ROCKW	370001A	A1205D446	MERIX	415016N	A1205F448	MERIX	416332
A1199R668	MERIX	450099	A1205B2264	ROCKW	380001A	A1205D602	MERIX	471103	A1205F664	MERIX	370023A
A1205A1015	MERIX	413246	A1205B288	MERIX	416294	A1205D602	MERIX	50197S	A1205F664	MERIX	380023A
A1205A1015	MERIX	413246N	A1205B366	MERIX	410519	A1205D680	MERIX	6612S	A1205F682	MERIX	451078
A1205A1015	ROCKW	413246	A1205B366	MERIX	471271	A1205D758	MERIX	6584S	A1205F708	MERIX	415281N
A1205A1015	ROCKW	413246N	A1205B574	MERIX	6270	A1205D836	MERIX	370036A	A1205F760	MERIX	471138
A1205A1015X	MERIX	413246	A1205B626	MERIX	410987	A1205D836	MERIX	370349A	A1205F838	MERIX	370037A
A1205A1015X	MERIX	413246N	A1205B626	MERIX	450103	A1205D836	MERIX	380036A	A1205F838	MERIX	370338A
A1205A1015X	ROCKW	413246	A1205B678	MERIX	415007	A1205D992	MERIX	415351	A1205F88	MERIX	450183
A1205A1015X	ROCKW	413246N	A1205B834X	MERIX	55469	A1205E1019	MERIX	370066A	A1205F88	MERIX	472179
A1205A1035	MERIX	472636	A1205C1069	MERIX	473240	A1205E1071	MERIX	370001A	A1205F916	MERIX	370003A
A1205A1249	MERIX	2505	A1205C1381	MERIX	370054A	A1205E1071	MERIX	380001A	A1205F916	MERIX	380003A
A1205A1535	MERIX	415304	A1205C159	MERIX	410102	A1205E1227	MERIX	476023N	A1205F916	ROCKW	370003A
A1205A157	MERIX	450066	A1205C1719	MERIX	370011A	A1205E1227	ROCKW	476023N	A1205F916	ROCKW	380003A
A1205A157	MERIX	473367	A1205C1875	MERIX	370036A	A1205E1253	MERIX	370009A	A1205G1047	MERIX	472439
A1205A1665X	MERIX	415551	A1205C1875	MERIX	370349A	A1205E1253	MERIX	380009A	A1205G1723	MERIX	415196
A1205A183	MERIX	418028	A1205C1875	MERIX	380036A	A1205E135	MERIX	415001	A1205G189	MERIX	415035
A1205A183	MERIX	455137	A1205C1927	ROCKW	415013N	A1205E135	MERIX	455001	A1205G189	MERIX	455035
A1205A1925	MERIX	4874N	A1205C211	MERIX	417159	A1205E1513	MERIX	473238	A1205G2425	MERIX	4561V
A1205A1925	ROCKW	4874N	A1205C2161	HINO	370150A	A1205E161	MERIX	450066	A1205G2425	ROCKW	4561V
A1205A1977	MERIX	7188S	A1205C2161	MERIX	370150A	A1205E161	MERIX	473367	A1205G2426	MERIX	100263
A1205A1977	ROCKW	7188S	A1205C2161	ROCKW	370150A	A1205E1851	MERIX	370036A	A1205G2426	ROCKW	100263
A1205A2107	MERIX	45013S	A1205C2265	MERIX	410085	A1205E1851	MERIX	370349A	A1205G293	MERIX	418028
A1205A2731	MERIX	100557	A1205C2265	MERIX	470530	A1205E1851	MERIX	380036A	A1205G293	MERIX	455137
A1205A2731	ROCKW	100557	A1205C367	MERIX	411253	A1205E1929	MERIX	415234	A1205G397	MERIX	475012N
A1205A287	MERIX	473228	A1205C367	MERIX	450099	A1205E2033	MERIX	370211A	A1205G423	MERIX	415041
A1205A339	MERIX	417196	A1205C653	MERIX	415060	A1205E2163	MERIX	370066A	A1205G605	MERIX	40286
A1205A391	MERIX	416011	A1205C757	MERIX	410312N	A1205E2186	MERIX	473490	A1205G631	MERIX	370001A
A1205A391	MERIX	417621	A1205C1927	MERIX	415013N	A1205E265	MERIX	470059	A1205G631	MERIX	380001A
A1205A651	MERIX	452086	A1205D1018	MERIX	370178A	A1205E265	MERIX	470380	A1205G631	MERIX	6638S
A1205A804	MERIX	410316	A1205D1070	MERIX	370048A	A1205E265	ROCKW	470059	A1205G633	MERIX	410308
A1205A804	MERIX	472636	A1205D1070	MERIX	370182A	A1205E265	ROCKW	470380	A1205G633	MERIX	473468
A1205A937	MERIX	370037A	A1205D1070	MERIX	380048A	A1205E317	MERIX	417316	A1205G683	MERIX	470308N
A1205A937	MERIX	370338A	A1205D1148	MERIX	416556	A1205E317	MERIX	455004	A1205G735	MERIX	416297
A1205A989	MERIX	416891	A1205D1148	MERIX	472157	A1205E343	MERIX	470045	A1205H138	MERIX	450494
A1205A989X	MERIX	416891	A1205D160	MERIX	450076	A1205E343	MERIX	476838	A1205H138	MERIX	472164
A1205B1016	MERIX	456641	A1205D160	MERIX	470334	A1205E603	MERIX	415036	A1205H1594	MERIX	370048A
A1205B1042	MERIX	41026S	A1205D1850	MERIX	370037A	A1205E631	MERIX	6638S	A1205H1594	MERIX	370182A
A1205B1198	MERIX	410101N	A1205D1850	MERIX	370338A	A1205E707	MERIX	5487	A1205H1594	MERIX	380048A
A1205B1224	MERIX	413246N	A1205D1925	MERIX	415082N	A1205E837	MERIX	415437	A1205H2114	MERIX	40337S
A1205B1224	MERIX	470574N	A1205D1925	ROCKW	415082N	A1205E837	MERIX	455173	A1205H2426	MERIX	100263
A1205B1314	MERIX	370077A	A1205D1928	MERIX	415082N	A1205E863X	MERIX	471391	A1205H2426	ROCKW	100263
A1205B1328	MERIX	3136N	A1205D1928	ROCKW	415082N	A1205E993	MERIX	417522	A1205H2426CB	MERIX	100263
A1205B1718	MERIX	450523	A1205D2032	MERIX	370212A	A1205E993X	MERIX	417522	A1205H2426CB	ROCKW	100263
A1205B1796	MERIX	370166A	A1205D212	MERIX	470358	A1205F1043	MERIX	370178A	A1205H2556	MERIX	100557
A1205B1796	ROCKW	370166A	A1205D212	MERIX	473231	A1205F1228	MERIX	7937N	A1205H2556	ROCKW	100557
A1205B1796X	MERIX	370166A	A1205D2188	MERIX	417316	A1205F136	MERIX	40468	A1205H736	MERIX	416297
A1205B184	MERIX	470064	A1205D2188	ROCKW	417316	A1205F162	MERIX	470059	A1205H762	MERIX	370007A
A1205B184	MERIX	471821	A1205D2266	MERIX	472029	A1205F162	ROCKW	470059	A1205H762	MERIX	7866S
A1205B1874	MERIX	417602	A1205D2526	MERIX	370023A	A1205F1748	MERIX	370030A	A1205H840	MERIX	471224
A1205B1926	MERIX	100494	A1205D2526	MERIX	380023A	A1205F2034	MERIX	370199A	A1205H840	ROCKW	471224
A1205B1926	ROCKW	100494	A1205D2526	ROCKW	370023A	A1205F2424	MERIX	100495	A1205H918	MERIX	40566S
A1205B2082	MERIX	415090	A1205D2526	ROCKW	380023A	A1205F2424	ROCKW	100495	A1205H11061	MERIX	370003A
A1205B210	MERIX	415458	A1205D2578	MERIX	370048A	A1205F2502	MERIX	100263	A1205H11061	MERIX	380003A
A1205B210	MERIX	455003	A1205D2578	MERIX	370182A	A1205F2502	ROCKW	100263	A1205J1102	MERIX	416107
A1205B2108	MERIX	40101S	A1205D2578	MERIX	380048A	A1205F2554	HINO	370150A	A1205J1102	MERIX	455073
A1205B2264	HINO	370001A	A1205D2578	ROCKW	370048A	A1205F2554	MERIX	370150A	A1205J1206	MERIX	370007A
A1205B2264	HINO	380001A	A1205D2578	ROCKW	370182A	A1205F2554	ROCKW	370150A	A1205J1414	MERIX	417020
A1205B2264	MERIX	370001A	A1205D2578	ROCKW	380048A	A1205F362	MERIX	473446	A1205J1518	MERIX	415379
A1205B2264	MERIX	380001A	A1205D420	MERIX	416070	A1205F448	MERIX	416047	A1205J1544	MERIX	415082N

INTERCHANGE SECTION

COMPETITIVE INTERCHANGES

Mfr No.	Mfr.	National	Mfr No.	Mfr.	National	Mfr No.	Mfr.	National	Mfr No.	Mfr.	National
A1205J166	MERIX	415016N	A1205L220	MERIX	472319	A1205P1108	MERIX	380048A	A1205Q2591	MERIX	100557
A1205J1726	HINO	370003A	A1205L2274	MERIX	370015A	A1205P1212	MERIX	370025A	A1205Q2591	ROCKW	100557
A1205J1726	HINO	380003A	A1205L2428	MERIX	100494	A1205P1212	MERIX	380025A	A1205Q329	MERIX	417159
A1205J1726	MERIX	370003A	A1205L2428	ROCKW	100494	A1205P1212	MERIX	386025A	A1205Q407	MERIX	370022A
A1205J1726	MERIX	380003A	A1205L2430	MERIX	100495	A1205P1368	MERIX	416470N	A1205Q407	MERIX	380022A
A1205J1726	ROCKW	370003A	A1205L2430	ROCKW	100495	A1205P1368	ROCKW	416470N	A1205Q45	MERIX	412119
A1205J1726	ROCKW	380003A	A1205L2768	MERIX	386590A	A1205P1446	MERIX	416191	A1205Q45	MERIX	450101
A1205J1934	MERIX	4564V	A1205L324	MERIX	370036A	A1205P1449	MERIX	370001A	A1205Q563	MERIX	410085
A1205J2116	MERIX	415124	A1205L324	MERIX	370349A	A1205P1449	MERIX	380001A	A1205Q563	MERIX	470530
A1205J2220	MERIX	370012A	A1205L324	MERIX	380036A	A1205P1466	MERIX	416191	A1205Q615	MERIX	5403
A1205J2272	MERIX	370181A	A1205L364	MERIX	416107	A1205P1602	MERIX	471787	A1205Q723	MERIX	415995V
A1205J2428	MERIX	100494	A1205L364	MERIX	455073	A1205P1680	MERIX	417359	A1205Q849X	MERIX	470680
A1205J2428	ROCKW	100494	A1205L415	MERIX	450316	A1205P1758	MERIX	471224	A1205Q849X	MERIX	471570
A1205J2558	MERIX	100263	A1205L415	MERIX	472636	A1205P1758	ROCKW	471224	A1205R1	MERIX	416738
A1205J2558	ROCKW	100263	A1205L714	MERIX	35949N	A1205P1888	MERIX	376590A	A1205R1	MERIX	450096
A1205J296	MERIX	415991	A1205L740	MERIX	5487	A1205P1888	ROCKW	376590A	A1205R1344	MERIX	416039
A1205J296	MERIX	455146	A1205L741	MERIX	5487	A1205P1914	MERIX	4876N	A1205R148	MERIX	416738
A1205J374	MERIX	471887	A1205L750	MERIX	5487	A1205P1914	ROCKW	4876N	A1205R148	MERIX	450096
A1205J634	MERIX	370030A	A1205L766	MERIX	476574N	A1205P198	MERIX	473447	A1205R1552	MERIX	415295
A1205J712	MERIX	417211	A1205L922X	MERIX	481181	A1205P224	MERIX	415034	A1205R1630	MERIX	370006A
A1205J738	MERIX	455858	A1205L922X	MERIX	481181N	A1205P224	MERIX	455034	A1205R226	MERIX	450078
A1205J998X	MERIX	415003	A1205M1287	MERIX	370064A	A1205P2434	MERIX	417551	A1205R226	MERIX	473444
A1205J998X	MERIX	415458	A1205M1339	MERIX	370048A	A1205P2434	ROCKW	417551	A1205R2410	MERIX	370003A
A1205K1285	MERIX	370003A	A1205M1339	MERIX	370182A	A1205P2538	MERIX	100557	A1205R2410	MERIX	380003A
A1205K1285	MERIX	380003A	A1205M1339	MERIX	380048A	A1205P2538	ROCKW	100557	A1205R2592	MERIX	100494
A1205K1337	MERIX	415991	A1205M1625	MERIX	370178A	A1205P2590	MERIX	100495	A1205R2592	ROCKW	100494
A1205K1337	MERIX	415991N	A1205M1718	MERIX	450523	A1205P2590	ROCKW	100495	A1205R330	MERIX	410316
A1205K141	MERIX	470074	A1205M2197	MERIX	476514	A1205P276	MERIX	5751	A1205R330	MERIX	472636
A1205K141	MERIX	474265	A1205M2198	MERIX	416500	A1205P302	MERIX	415066	A1205R408	MERIX	45031S
A1205K1753	MERIX	410312N	A1205M2561	MERIX	370195A	A1205P328	MERIX	415001	A1205R564	MERIX	410183N
A1205K1779	MERIX	475322N	A1205M325	MERIX	415137	A1205P380	MERIX	5796	A1205R590	MERIX	8635S
A1205K2013	MERIX	370066A	A1205M325	ROCKW	415137	A1205P406	MERIX	370178A	A1205R642	MERIX	415138
A1205K2013	ROCKW	370066A	A1205M429	MERIX	415371	A1205P406	MERIX	416888	A1205S1111X	MERIX	417364
A1205K2559	MERIX	100495	A1205M585	MERIX	6612S	A1205P406	MERIX	455200	A1205S1319	MERIX	416339
A1205K2559	ROCKW	100495	A1205M897	MERIX	370036A	A1205P614	MERIX	5401	A1205S1345	MERIX	472258
A1205K401	MERIX	417316	A1205M897	MERIX	370349A	A1205P666	MERIX	416167	A1205S1449	MERIX	370001A
A1205K427	MERIX	473238	A1205M897	MERIX	380036A	A1205P666	MERIX	455091	A1205S1449	MERIX	380001A
A1205K531	MERIX	470548	A1205N1132	MERIX	470954	A1205P848	MERIX	470530	A1205S149	MERIX	450067
A1205K531	MERIX	470625	A1205N1132S	MERIX	470954	A1205P900	MERIX	417247	A1205S149	MERIX	473228
A1205K583	MERIX	40140S	A1205N1288	MERIX	370057A	A1205Q1057	MERIX	415013N	A1205S1527	MERIX	475080N
A1205K635	MERIX	470737N	A1205N1314	MERIX	370077A	A1205Q1057	ROCKW	415013N	A1205S1631	MERIX	370051A
A1205K687	MERIX	5313	A1205N1392	MERIX	370094A	A1205Q1395	MERIX	3100	A1205S1657	MERIX	415072
A1205K713	MERIX	3592	A1205N1496	MERIX	415013N	A1205Q1629	MERIX	416556	A1205S175	MERIX	471192
A1205K739	MERIX	455858	A1205N1548	MERIX	455019	A1205Q1629	MERIX	472157	A1205S175	ROCKW	471192
A1205K937	MERIX	370037A	A1205N1614	MERIX	370077A	A1205Q1655	MERIX	417484N	A1205S1761	MERIX	410101N
A1205K937	MERIX	370338A	A1205N1851	MERIX	370036A	A1205Q1655	MERIX	475322N	A1205S1761	ROCKW	410101N
A1205K999	MERIX	370025A	A1205N1851	MERIX	370349A	A1205Q1665	MERIX	417484N	A1205S1917	MERIX	482415
A1205K999	MERIX	380025A	A1205N1851	MERIX	380036A	A1205Q1665	MERIX	475322N	A1205S1917	ROCKW	482415
A1205K999	MERIX	386025A	A1205N2588	MERIX	100263	A1205Q173	MERIX	471795	A1205S2203	MERIX	417158
A1205L1338	MERIX	370001A	A1205N2588	ROCKW	100263	A1205Q1759	MERIX	452086	A1205S2255	MERIX	100495
A1205L1338	MERIX	380001A	A1205N300	MERIX	410694	A1205Q1889	MERIX	376590A	A1205S2255	ROCKW	100495
A1205L1390	MERIX	415294	A1205N664	MERIX	6663S	A1205Q1889	ROCKW	376590A	A1205S2281	MERIX	455322V
A1205L1390	MERIX	455294	A1205N742	MERIX	473458	A1205Q1915	MERIX	3143N	A1205S2281	ROCKW	455322V
A1205L142	MERIX	450094	A1205N898	MERIX	370037A	A1205Q1941	MERIX	370119A	A1205S2307	MERIX	370048A
A1205L142	MERIX	473462	A1205N898	MERIX	370338A	A1205Q225	MERIX	450118	A1205S2307	MERIX	370182A
A1205L1546	MERIX	370195A	A1205N898X	MERIX	370037A	A1205Q225	MERIX	473449	A1205S2307	MERIX	380048A
A1205L1546	ROCKW	370195A	A1205N898X	MERIX	370338A	A1205Q2487	MERIX	370003A	A1205S2489	MERIX	370025A
A1205L1598	MERIX	370025A	A1205P1004	MERIX	370008A	A1205Q2487	MERIX	380003A	A1205S2489	MERIX	380025A
A1205L1598	MERIX	380025A	A1205P1108	MERIX	370048A	A1205Q2487	ROCKW	370003A	A1205S2489	MERIX	386025A
A1205L1598	MERIX	386025A	A1205P1108	MERIX	370182A	A1205Q2487	ROCKW	380003A	A1205S2489	ROCKW	370025A

INTERCHANGE SECTION

COMPETITIVE INTERCHANGES



Mfr No.	Mfr.	National	Mfr No.	Mfr.	National	Mfr No.	Mfr.	National	Mfr No.	Mfr.	National
A1205S2489	ROCKW	380025A	A1205U619	MERIX	6649	A1205W2415	MERIX	411275V	A1205Z1534	MERIX	200870
A1205S2489	ROCKW	386025A	A1205U697	MERIX	370006A	A1205W309	MERIX	473450	A1205Z1534	ROCKW	200870
A1205S2593	MERIX	370065A	A1205U723	MERIX	415013N	A1205W647	MERIX	415304	A1205Z156	MERIX	412119
A1205S2593	MERIX	380065A	A1205U749	MERIX	6864S	A1205W647	MERIX	476470	A1205Z156	MERIX	450101
A1205S669	MERIX	370010A	A1205V1192	MERIX	370066A	A1205W829	MERIX	353120	A1205Z1638X	MERIX	417491
A1205S695	MERIX	410308	A1205V126	MERIX	470548	A1205W829	ROCKW	353120	A1205Z1716	MERIX	370007A
A1205S695	MERIX	450308	A1205V126	MERIX	470625	A1205X1116	MERIX	446927	A1205Z1768	MERIX	473244
A1205S747	MERIX	6864S	A1205V1374	MERIX	473274N	A1205X128	MERIX	450083	A1205Z1768	ROCKW	473244
A1205T1086	MERIX	415035	A1205V1556	MERIX	482415	A1205X128	MERIX	472924	A1205Z182	MERIX	473245
A1205T1112	MERIX	471271	A1205V1634X	MERIX	417603	A1205X1298	MERIX	370063A	A1205Z1820	MERIX	370120A
A1205T124	MERIX	410316	A1205V1660	MERIX	370057A	A1205X1532	MERIX	455019	A1205Z2106	MERIX	412119
A1205T124	MERIX	472636	A1205V2102	MERIX	370054A	A1205X1662	MERIX	370025A	A1205Z2470	MERIX	370023A
A1205T1252	MERIX	473467	A1205V2102	ROCKW	370054A	A1205X1662	MERIX	380025A	A1205Z2470	MERIX	380023A
A1205T150	MERIX	413469	A1205V230	MERIX	415027	A1205X1662	MERIX	386025A	A1205Z2470	ROCKW	370023A
A1205T1534	MERIX	200870	A1205V230	MERIX	455027	A1205X1688X	MERIX	415066	A1205Z2470	ROCKW	380023A
A1205T1580	MERIX	471271	A1205V2492	HINO	370003A	A1205X1690X	MERIX	417541	A1205Z2730	MERIX	100263
A1205T1710	MERIX	416229	A1205V2492	HINO	380003A	A1205X1792	MERIX	6358	A1205Z2730	ROCKW	100263
A1205T1814	MERIX	370028A	A1205V2492	MERIX	370003A	A1205X180	MERIX	50528	A1205Z286	MERIX	481443
A1205T1996	MERIX	6358	A1205V2492	MERIX	380003A	A1205X1896	MERIX	4561V	A1205Z338	MERIX	450084
A1205T2178	MERIX	40522S	A1205V2492	ROCKW	370003A	A1205X258	MERIX	410496	A1205Z364	MERIX	455513
A1205T2256	MERIX	4561V	A1205V2492	ROCKW	380003A	A1205X2728	MERIX	100494	A1205Z780	MERIX	370048A
A1205T228	MERIX	417316	A1205V256	MERIX	417316	A1205X2728	ROCKW	100494	A1205Z780	MERIX	370182A
A1205T436	MERIX	416130	A1205V256	MERIX	455004	A1205X414	MERIX	471887	A1205Z780	MERIX	380048A
A1205T50	MERIX	450067	A1205V2674	MERIX	370018A	A1205X596	MERIX	5408	A1205Z910	MERIX	415995
A1205T50	MERIX	473228	A1205V2674	ROCKW	370018A	A1205X622	MERIX	417316	A1205Z910	MERIX	455013
A1205T634	MERIX	6635S	A1205V386	MERIX	455151	A1205X622	MERIX	455004	A1305L194	MERIX	475380N
A1205T670	MERIX	370178A	A1205V542	MERIX	370003A	A1205X752	MERIX	6954S	A1405A1	MERIX	417316
A1205T670	MERIX	416888	A1205V542	MERIX	380003A	A1205X960	MERIX	413246N	A1405A27X	MERIX	417601
A1205T696	MERIX	6872S	A1205V596	MERIX	5408	A1205X960	MERIX	470574N	A1405C3	MERIX	471267
A1205T722	MERIX	455858	A1205V672	MERIX	415991	A1205X960X	MERIX	413246N	A1405D30X	MERIX	417357
A1205T724	MERIX	370120A	A1205V672	MERIX	455146	A1205X960X	MERIX	470574N	A1405D4	MERIX	340483
A1205T748	MERIX	6864S	A1205V723	MERIX	415836	A1205Y1091	MERIX	416332	A1405E5	MERIX	415072
A1205T774	MERIX	370120A	A1205V723	MERIX	415995	A1205Y1377	MERIX	3143N	A1405F6	MERIX	471224
A1205T800X	MERIX	415007	A1205V724	MERIX	415960	A1205Y1533	MERIX	3292	A1405G7	MERIX	410316
A1205U1061	MERIX	370003A	A1205V724	MERIX	455009	A1205Y1533	ROCKW	3292	A1405G7	MERIX	472636
A1205U1061	MERIX	380003A	A1205V802X	MERIX	470565	A1205Y1533X	MERIX	3292	A1405K11	MERIX	472299
A1205U1243	MERIX	417278	A1205V958	MERIX	417484N	A1205Y1559	MERIX	370008A	A1405P42X	MERIX	417357
A1205U1529	MERIX	416654	A1205V958	MERIX	475322N	A1205Y1559	ROCKW	370008A	A1405Q17	MERIX	411253
A1205U1635	MERIX	472636	A1205W1167X	MERIX	410496	A1205Y1689X	MERIX	417278	A1405Q17	MERIX	450099
A1205U1685	MERIX	3905	A1205W1193	MERIX	415196	A1205Y1715	MERIX	370054A	A1405S45X	MERIX	415304
A1205U1685	ROCKW	3905	A1205W1245	MERIX	370013A	A1205Y1897	MERIX	100263	A1405S45X	MERIX	476470
A1205U1934	MERIX	4564V	A1205W1345	MERIX	370023A	A1205Y1897	MERIX	3905	A1405W23	MERIX	470351
A1205U1934	ROCKW	4564V	A1205W1345	MERIX	380023A	A1205Y1897	ROCKW	100263	A1405Y51	MERIX	415192N
A1205U1945	MERIX	100557	A1205W1349	HINO	370023A	A1205Y1897	ROCKW	3905	A1805A1	MERIX	415023
A1205U1945	ROCKW	100557	A1205W1349	HINO	380023A	A1205Y1923	MERIX	2297V	A1805A131	MERIX	412943
A1205U1997	MERIX	417606	A1205W1349	MERIX	370023A	A1205Y1975	MERIX	370065A	A1805A183	MERIX	471192
A1205U2257	MERIX	100263	A1205W1349	MERIX	380023A	A1205Y1975	MERIX	376590A	A1805A183	ROCKW	471192
A1205U2257	ROCKW	100263	A1205W1349	ROCKW	370023A	A1205Y1975	MERIX	380065A	A1805A209	MERIX	473473
A1205U229	MERIX	472150	A1205W1349	ROCKW	380023A	A1205Y2105	MERIX	415836	A1805A235	MERIX	471785
A1205U2335	MERIX	100495	A1205W1375	MERIX	370001A	A1205Y2105	MERIX	415995	A1805A261	MERIX	415272N
A1205U2335	ROCKW	100495	A1205W1375	MERIX	380001A	A1205Y233	MERIX	450084	A1805A365	MERIX	415449
A1205U2491	HINO	370001A	A1205W1531X	MERIX	415294	A1205Y2729	MERIX	100495	A1805A365	MERIX	455147
A1205U2491	HINO	380001A	A1205W1531X	ROCKW	415294	A1205Y2729	ROCKW	100495	A1805A382	MERIX	471192
A1205U2491	MERIX	370001A	A1205W1557	HINO	370047A	A1205Y363	MERIX	416107	A1805A382	ROCKW	471192
A1205U2491	MERIX	380001A	A1205W1557	MERIX	370047A	A1205Y363	MERIX	455073	A1805A417	MERIX	417344
A1205U2491	ROCKW	370001A	A1205W1687X	MERIX	416865	A1205Y415	MERIX	450316	A1805A443	MERIX	353120
A1205U2491	ROCKW	380001A	A1205W1895	MERIX	100495	A1205Y415	MERIX	472636	A1805A495	MERIX	415995
A1205U411	MERIX	411500	A1205W1895	MERIX	476023N	A1205Y571	MERIX	417596	A1805A495	MERIX	455013
A1205U437	MERIX	417563	A1205W1895	ROCKW	100495	A1205Y727	MERIX	475012N	A1805A53	MERIX	450316
A1205U515	MERIX	410101N	A1205W1895	ROCKW	476023N	A1205Z1014	MERIX	417492	A1805A53	MERIX	472636

INTERCHANGE SECTION

COMPETITIVE INTERCHANGES

Mfr No.	Mfr.	National	Mfr No.	Mfr.	National	Mfr No.	Mfr.	National	Mfr No.	Mfr.	National
A1805A547	MERIX	417353	A1805D498X	MERIX	472439	A1805H294	MERIX	450329	A1805L584	MERIX	417172
A1805A573	MERIX	471341N	A1805D550	MERIX	470530	A1805H398	MERIX	450867	A1805L610	MERIX	473244
A1805A625	MERIX	416271	A1805D56	MERIX	473226	A1805H398	MERIX	470898	A1805L64	MERIX	411253
A1805A79	MERIX	415001	A1805D576	MERIX	100494	A1805H424	MERIX	455509	A1805L64	MERIX	450099
A1805B106	MERIX	470950	A1805D576	MERIX	416470N	A1805H450	MERIX	470530	A1805L688	MERIX	416294
A1805B106	MERIX	6241S	A1805D576	ROCKW	100494	A1805H580	MERIX	416107	A1805L90	MERIX	450456
A1805B132	MERIX	415045	A1805D576	ROCKW	416470N	A1805H60	MERIX	410312N	A1805M13	MERIX	415551
A1805B2	MERIX	417487	A1805D82	MERIX	410316	A1805H606	MERIX	473228	A1805M167	MERIX	473227
A1805B2	MERIX	455086	A1805D82	MERIX	472636	A1805H606	MERIX	481837	A1805M169	MERIX	473227
A1805B236	MERIX	472015	A1805E109	ROCKW	471192	A1805H86	MERIX	473211	A1805M247	MERIX	480630
A1805B262	MERIX	415458	A1805E135	MERIX	416921	A1805J140	MERIX	410163	A1805M247	ROCKW	480630
A1805B262	MERIX	455003	A1805E135	MERIX	455011	A1805J140	MERIX	471766	A1805M273	MERIX	473471
A1805B262X	MERIX	415984	A1805E187	MERIX	412473	A1805J166	MERIX	415016N	A1805M299	MERIX	455330
A1805B28	MERIX	450316	A1805E187	MERIX	415894	A1805J192	MERIX	470120	A1805M351	MERIX	473243
A1805B28	MERIX	472636	A1805E239	MERIX	455330	A1805J192	MERIX	471224	A1805M377	MERIX	417492
A1805B288	MERIX	471341	A1805E343	MERIX	415371	A1805J218	MERIX	472492	A1805M429	MERIX	455251H
A1805B314	MERIX	473179	A1805E369	MERIX	370018A	A1805J296	MERIX	472164	A1805M455	MERIX	417597
A1805B340	MERIX	415725	A1805E369	MERIX	418028	A1805J348	MERIX	450365	A1805M481	MERIX	55563
A1805B366	MERIX	481163	A1805E369	MERIX	455137	A1805J348	MERIX	470898	A1805M533	MERIX	415327
A1805B392	MERIX	415854	A1805E395	MERIX	417570	A1805J374	MERIX	415303	A1805M559	MERIX	471413
A1805B415	MERIX	417602	A1805E473	MERIX	455035N	A1805J400	MERIX	472299	A1805M585	MERIX	415259
A1805B418	MERIX	417602	A1805E5	MERIX	415023	A1805J478	MERIX	416364	A1805M611	MERIX	417541
A1805B470	MERIX	450362	A1805E57	MERIX	450078	A1805J530	MERIX	415138	A1805M65	MERIX	450084
A1805B496	MERIX	415272N	A1805E57	MERIX	473444	A1805J556	MERIX	417205	A1805M91	MERIX	415001
A1805B54	MERIX	450083	A1805E577	MERIX	415447	A1805J608	MERIX	417134	A1805M91	MERIX	455001
A1805B54	MERIX	472924	A1805E603	MERIX	472397	A1805J62	MERIX	415995	A1805N118	MERIX	450154
A1805B548	MERIX	415437	A1805E695	MERIX	473214	A1805J62	MERIX	455013	A1805N118	MERIX	473234
A1805B574	MERIX	470898	A1805E109	MERIX	471192	A1805J686	MERIX	472492	A1805N248	MERIX	480630
A1805B678	MERIX	417603	A1805F110	MERIX	472144	A1805K11	MERIX	416288	A1805N300	MERIX	450194
A1805B80	MERIX	475009N	A1805F136	MERIX	412119	A1805K141	MERIX	473471	A1805N300	MERIX	473010
A1805C107	MERIX	472394	A1805F136	MERIX	450101	A1805K193	MERIX	450085	A1805N40	MERIX	471787
A1805C133	MERIX	450069	A1805F162	MERIX	415086N	A1805K193	MERIX	470530	A1805N508	MERIX	456305
A1805C133	MERIX	473232	A1805F162	MERIX	417487	A1805K245	MERIX	6200	A1805N534	MERIX	415551
A1805C159	MERIX	450352	A1805F240	MERIX	415656	A1805K297	MERIX	415035	A1805N638	MERIX	415281N
A1805C159	MERIX	472164	A1805F500	MERIX	8650S	A1805K37	MERIX	450076	A1805N66	MERIX	415988
A1805C185	MERIX	415725	A1805F526	MERIX	473204	A1805K37	MERIX	470334	A1805N673	MERIX	455121
A1805C237	MERIX	473474	A1805F552	MERIX	473244	A1805K375	MERIX	470565	A1805P120	MERIX	415013
A1805C289	MERIX	471192	A1805F578	MERIX	415147	A1805K427	MERIX	450090	A1805P120	MERIX	415995
A1805C289	ROCKW	471192	A1805F578	MERIX	415449	A1805K531	MERIX	470565	A1805P146	MERIX	450117
A1805C29	MERIX	416865	A1805F58	MERIX	455151	A1805K557	MERIX	472258	A1805P146	MERIX	472572
A1805C3	MERIX	415960	A1805F630	MERIX	450540	A1805K63	MERIX	412920	A1805P16	MERIX	415960
A1805C3	MERIX	455009	A1805F708	MERIX	415156N	A1805K63	MERIX	450132	A1805P198	MERIX	470806
A1805C315	MERIX	470898	A1805G319	MERIX	472144	A1805K89	MERIX	450082	A1805P250	MERIX	471868
A1805C367	MERIX	473450	A1805G371	MERIX	471984	A1805K89	MERIX	473238	A1805P276	MERIX	412119
A1805C419	MERIX	470565	A1805G423	MERIX	415379	A1805K401	MERIX	470764	A1805P276	MERIX	450101
A1805C549	MERIX	472439	A1805G579	MERIX	450069	A1805L12	MERIX	416654	A1805P328	MERIX	340823
A1805C575	MERIX	417247	A1805G579	MERIX	473232	A1805L12	MERIX	455012	A1805P354	MERIX	470898
A1805C705	MERIX	370064A	A1805G59	MERIX	472394	A1805L142	MERIX	470403	A1805P380	MERIX	450489
A1805C705	ROCKW	370064A	A1805G605	MERIX	412473	A1805L142	MERIX	470774	A1805P380	MERIX	473244
A1805D134	MERIX	450183	A1805G605	MERIX	415894	A1805L168	MERIX	472164	A1805P406	MERIX	415090
A1805D134	MERIX	472179	A1805G683	MERIX	450519	A1805L194	MERIX	475380N	A1805P432	MERIX	417555
A1805D160	MERIX	450084	A1805G683	MERIX	471271	A1805L220	MERIX	473475	A1805P458	MERIX	415447
A1805D186	MERIX	473203	A1805G709	MERIX	416624N	A1805L272	MERIX	472015	A1805P484	MERIX	455195
A1805D212	MERIX	417484N	A1805G85	MERIX	470045	A1805L350	MERIX	416664	A1805P484	MERIX	472157
A1805D290	MERIX	473234	A1805G85	MERIX	476838	A1805L350	MERIX	455364	A1805P536	MERIX	415483
A1805D316	MERIX	415498	A1805H138	MERIX	471354	A1805L376	MERIX	472185	A1805P562	MERIX	417480
A1805D342	MERIX	417597	A1805H1386X	MERIX	417603	A1805L402	MERIX	415938	A1805P562	MERIX	455860
A1805D368	MERIX	471276	A1805H164	MERIX	416404	A1805L454	MERIX	470605	A1805P588	MERIX	416294
A1805D4	MERIX	417158	A1805H190	MERIX	415142	A1805L532	MERIX	471887	A1805P666	MERIX	473238
A1805D4	MERIX	455355	A1805H294	MERIX	412871	A1805L558	MERIX	473215	A1805P718	MERIX	415498

INTERCHANGE SECTION

COMPETITIVE INTERCHANGES



Mfr No.	Mfr.	National	Mfr No.	Mfr.	National	Mfr No.	Mfr.	National	Mfr No.	Mfr.	National
A1805P94	MERIX	471787	A1805S487	MERIX	417316	A1805V568	MERIX	416865	A1805Y519	MERIX	415004
A1805Q199	MERIX	450185	A1805S513	MERIX	415281N	A1805V620	MERIX	472179	A1805Y519	MERIX	417316
A1805Q199	MERIX	473229	A1805S539	MERIX	471341	A1805V724	MERIX	416706	A1805Y545	MERIX	417191
A1805Q225	MERIX	410524	A1805S565	MERIX	473423	A1805V74	MERIX	55353	A1805Y597	MERIX	450301
A1805Q277	MERIX	455655	A1805S617	MERIX	416892	A1805W101	MERIX	473313	A1805Y597	MERIX	472397
A1805Q303	MERIX	470737N	A1805S643	MERIX	416556	A1805W127	MERIX	415458	A1805Y727	MERIX	450298
A1805Q307	MERIX	410519	A1805S643	MERIX	472157	A1805W127	MERIX	455003	A1805Y727	MERIX	473239
A1805Q307	MERIX	471271	A1805S695	MERIX	473214	A1805W257	MERIX	39302	A1805Y77	MERIX	455018
A1805Q381	MERIX	450965	A1805S71	MERIX	475234N	A1805W335	MERIX	415281N	A1805Y77	MERIX	476470
A1805Q407	MERIX	415234	A1805S721	MERIX	415449	A1805W413	MERIX	450352	A1805Z104	MERIX	415147
A1805Q433	MERIX	472258	A1805S721	MERIX	455147	A1805W413	MERIX	472164	A1805Z104	MERIX	415449
A1805Q485	MERIX	417211	A1805S175	MERIX	471765	A1805W439	MERIX	450441	A1805Z130	MERIX	415003
A1805Q537	MERIX	416297	A1805T124	MERIX	410316	A1805W439	MERIX	471341	A1805Z130	MERIX	415458
A1805Q563	MERIX	410520	A1805T124	MERIX	472636	A1805W465	MERIX	415009	A1805Z182	MERIX	471689
A1805Q563	MERIX	471272	A1805T20	MERIX	470088	A1805W465	MERIX	415960	A1805Z182	ROCKW	471689
A1805Q589	MERIX	415035	A1805T228	MERIX	417316	A1805W517	MERIX	416271	A1805Z234	MERIX	450121
A1805Q589	MERIX	415953	A1805T254	MERIX	471827	A1805W543	MERIX	415303	A1805Z234	MERIX	472409
A1805Q615	MERIX	415854	A1805T306	MERIX	450389	A1805W569	MERIX	455186	A1805Z26	MERIX	340483
A1805Q667	MERIX	415035	A1805T306	MERIX	472492	A1805W647	MERIX	450523	A1805Z260	MERIX	417601
A1805Q667	MERIX	455035	A1805T358	MERIX	450082	A1805W725	MERIX	370008A	A1805Z286	MERIX	410825
A1805Q69	MERIX	470059	A1805T358	MERIX	473238	A1805W153	MERIX	473227	A1805Z338	MERIX	412027
A1805Q69	MERIX	470380	A1805T384	MERIX	412119	A1805X104	MERIX	415147	A1805Z364	MERIX	471316
A1805Q693	MERIX	473232	A1805T384	MERIX	450101	A1805X104	MERIX	415449	A1805Z442	MERIX	415447
A1805Q95	MERIX	417344	A1805T410	MERIX	450365	A1805X128	MERIX	450316	A1805Z494	MERIX	470567
A1805R122	MERIX	416011	A1805T410	MERIX	470898	A1805X128	MERIX	472636	A1805Z494	MERIX	471267
A1805R122	MERIX	417621	A1805T488	MERIX	415984	A1805X154	MERIX	411253	A1805Z494X	MERIX	471267
A1805R174	MERIX	415991	A1805T540	MERIX	415447	A1805X206	MERIX	415437	A1805Z52	MERIX	417487
A1805R174	MERIX	455146	A1805T618	MERIX	472705	A1805X232	MERIX	450444	A1805Z52	MERIX	455014
A1805R200	MERIX	472287	A1805T722	MERIX	471424	A1805X232	MERIX	471835	A1805Z520	MERIX	415281N
A1805R226	MERIX	473237	A1805T98	MERIX	410183N	A1805X258	MERIX	415016N	A1805Z546	MERIX	8907
A1805R278	MERIX	417562	A1805TSG1	MERIX	472636	A1805X260	MERIX	417601	A1805Z572	MERIX	473239
A1805R304	MERIX	470351	A1805U151	MERIX	416404	A1805X284	MERIX	455080	A1805Z598	MERIX	470605
A1805R304	MERIX	471504	A1805U177	MERIX	450039	A1805X286	MERIX	410825	A205F1019	MERIX	475009N
A1805R330	MERIX	472179	A1805U203	MERIX	473214	A1805X336	MERIX	415483	A205F1023	MERIX	410101N
A1805R356	MERIX	415483	A1805U255	MERIX	414268	A1805X336	MERIX	455368	A205F1029	MERIX	415086N
A1805R356	MERIX	455368	A1805U255	ROCKW	414268	A1805X337	MERIX	455480	A205F1029	MERIX	417487
A1805R382	MERIX	471192	A1805U281	MERIX	455480	A1805X362	MERIX	455186	A205F1032	MERIX	416888
A1805R538	MERIX	415725	A1805U307	MERIX	450519	A1805X518	MERIX	416130	A205F1032	MERIX	455200
A1805R564	MERIX	450803	A1805U307	MERIX	471271	A1805X544	MERIX	416130	A205F1034	MERIX	416888
A1805R590	MERIX	416047	A1805U333	MERIX	413246	A1805X648	MERIX	471224	A205F713	MERIX	415379
A1805R590	MERIX	416332	A1805U333	MERIX	413246N	A1805X648	ROCKW	471224	A205F713	MERIX	455379
A1805R616	MERIX	417357	A1805U381	MERIX	450965	A1805Y103	MERIX	450291	A205F841	MERIX	450389
A1805R694	MERIX	416664	A1805U47	MERIX	417205	A1805Y103	MERIX	471141	A205F841	MERIX	472492
A1805R96	MERIX	470088	A1805U515	MERIX	410101N	A1805Y105	MERIX	450291	A205F847	MERIX	410987
A1805S123	MERIX	473473	A1805U541	MERIX	415447	A1805Y105	MERIX	471141	A205F847	MERIX	450686
A1805S149	MERIX	476283N	A1805U567	MERIX	416321	A1805Y129	MERIX	415449	A205F863	MERIX	415281N
A1805S19	MERIX	450467	A1805U645	MERIX	471424	A1805Y129	MERIX	455147	A205F886	MERIX	412119
A1805S220	MERIX	473475	A1805U723	MERIX	370018A	A1805Y207	MERIX	480630	A205F911	MERIX	415836
A1805S227	MERIX	412027	A1805V152	MERIX	475012N	A1805Y233	MERIX	415304	A205F911	MERIX	415995
A1805S253	MERIX	470543	A1805V152	ROCKW	475012N	A1805Y233	MERIX	476470	A205F939	MERIX	450298
A1805S253	MERIX	474272	A1805V256	MERIX	455134	A1805Y259	MERIX	415001	A205F939	MERIX	473239
A1805S279	MERIX	471570	A1805V308	MERIX	417600	A1805Y259	MERIX	455001	A205F960	MERIX	476470
A1805S305	MERIX	470954	A1805V334	MERIX	471192	A1805Y285	MERIX	410524	A205F997	MERIX	471138
A1805S305	MERIX	480954	A1805V386	MERIX	450070	A1805Y311	MERIX	415991	A205P1022	MERIX	450073
A1805S331	MERIX	417354	A1805V386	MERIX	472185	A1805Y311	ROCKW	415991	A205P1024	MERIX	417485
A1805S357	MERIX	472439	A1805V490	MERIX	417262	A1805Y337	MERIX	455480	A215F964	MERIX	2081
A1805S383	MERIX	471195	A1805V490	MERIX	455448	A1805Y401	MERIX	470764	A215F964	ROCKW	2081
A1805S383	MERIX	481195	A1805V516	MERIX	415389	A1805Y493	MERIX	327303	A27267	HENDR	370025A
A1805S409	MERIX	471341N	A1805V516X	MERIX	415389	A1805Y493	ROCKW	327303	A27267	HENDR	380025A
A1805S487	MERIX	415004	A1805V542	MERIX	416267	A1805Y51	MERIX	415023	A27268	HENDR	370065A

INTERCHANGE SECTION

COMPETITIVE INTERCHANGES

Mfr No.	Mfr.	National	Mfr No.	Mfr.	National	Mfr No.	Mfr.	National	Mfr No.	Mfr.	National
A27268	HENDR	380065A	A805F91	MERIX	415447	A1205S2307	ROCKW	370182A	A1205D1018	ROCKW	370178A
A29056	HENDR	370003A	A0383	CATER	473442	A1205S2307	ROCKW	380048A	A1205D1070	ROCKW	370048A
A29056	HENDR	380003A	A085824	FORSH	710698	A1205T2256	ROCKW	4561V	A1205D1070	ROCKW	370182A
A405F2	MERIX	55337	A11205A2731	MERIX	100557	A1205U1997	ROCKW	417606	A1205D1070	ROCKW	380048A
A405F4	MERIX	455583N	A11205A2731	ROCKW	100557	A1205W2415	ROCKW	411275V	A1205D1148	ROCKW	416556
A65277	TROS	370030A	A11205X2728	MERIX	100494	A1205Y1091	ROCKW	416332	A1205D1148	ROCKW	472157
A805F104	MERIX	472439	A11205X2728	ROCKW	100494	A1205A1035	ROCKW	472636	A1205D160	ROCKW	450076
A805F108	MERIX	410308	A11205Y2729	MERIX	100495	A1205A1249	ROCKW	2505	A1205D160	ROCKW	470334
A805F108	MERIX	450308	A11205Y2729	ROCKW	100495	A1205A1535	ROCKW	415304	A1205D1850	ROCKW	370037A
A805F110	MERIX	410825	A11205Z2730	MERIX	100263	A1205A157	ROCKW	450066	A1205D1850	ROCKW	370338A
A805F111	MERIX	410085	A11205Z2730	ROCKW	100263	A1205A157	ROCKW	473367	A1205D212	ROCKW	470358
A805F111	MERIX	470530	A11805S149	MERIX	3591	A1205A1665X	ROCKW	415551	A1205D212	ROCKW	473231
A805F118	MERIX	473238	A11805S149	ROCKW	3591	A1205A183	ROCKW	418028	A1205D420	ROCKW	416070
A805F120	MERIX	410737	A10062	CASE	415960	A1205A183	ROCKW	455137	A1205D446	ROCKW	415016N
A805F120	MERIX	450737	A10062	CASE	455009	A1205A2107	ROCKW	45013S	A1205D602	ROCKW	471103
A805F121	MERIX	472924	A10096	CASE	472015	A1205A287	ROCKW	473228	A1205D602	ROCKW	50197S
A805F124	MERIX	450389	A10132A	CUSH	340930	A1205A339	ROCKW	417196	A1205D680	ROCKW	6612S
A805F124	MERIX	472492	A10260	CASE	471466	A1205A391	ROCKW	416011	A1205D758	ROCKW	6584S
A805F125	MERIX	450519	A1026J	EATON	450084	A1205A391	ROCKW	417621	A1205D836	ROCKW	370036A
A805F125	MERIX	471271	A104255	CONCA	470219	A1205A651	ROCKW	452086	A1205D836	ROCKW	370349A
A805F126	MERIX	417600	A104255	CONCA	471649	A1205A804	ROCKW	410316	A1205D836	ROCKW	380036A
A805F132	MERIX	471689	A104255	CONTI	470219	A1205A804	ROCKW	472636	A1205D992	ROCKW	415351
A805F134	MERIX	340853	A104255	CONTI	471649	A1205A937	ROCKW	370037A	A1205E1019	ROCKW	370066A
A805F135	MERIX	470764	A106737R91	IH	474278	A1205A937	ROCKW	370338A	A1205E1071	ROCKW	370001A
A805F136	MERIX	455330	A106737R91	IH	480356	A1205A989	ROCKW	416891	A1205E1071	ROCKW	380001A
A805F139	MERIX	450803	A109155	OLIVE	340151	A1205A989X	ROCKW	416891	A1205E1253	ROCKW	370009A
A805F141	MERIX	417171	A109155	WHITE	340151	A1205B1016	ROCKW	456641	A1205E1253	ROCKW	380009A
A805F143	MERIX	471820	A11120	CASE	450291	A1205B1198	ROCKW	410101N	A1205E135	ROCKW	415001
A805F144	MERIX	410102	A11120	CASE	471141	A1205B1224	ROCKW	413246N	A1205E135	ROCKW	455001
A805F148	MERIX	472018	A11151	JOHND	412920	A1205B1224	ROCKW	470574N	A1205E1513	ROCKW	473238
A805F154	MERIX	417597	A11151	JOHND	450132	A1205B1314	ROCKW	370077A	A1205E161	ROCKW	450066
A805F156	MERIX	455480	A112603	OLIVE	470027	A1205B1328	ROCKW	3136N	A1205E161	ROCKW	473367
A805F161	MERIX	415938	A112603	OLIVE	471554	A1205B1718	ROCKW	450523	A1205E1851	ROCKW	370036A
A805F165	MERIX	470565	A11332	CASE	476470	A1205B1796X	ROCKW	370166A	A1205E1851	ROCKW	370349A
A805F167	MERIX	415371	A113763	OLIVE	450444	A1205B184	ROCKW	470064	A1205E1851	ROCKW	380036A
A805F169	MERIX	455186	A113763	OLIVE	471835	A1205B184	ROCKW	471821	A1205E2163	ROCKW	370066A
A805F173	MERIX	450489	A11507	CASE	471267	A1205B2082	ROCKW	415090	A1205E317	ROCKW	417316
A805F173	MERIX	473244	A115551	OLIVE	470059	A1205B210	ROCKW	415458	A1205E317	ROCKW	455004
A805F174	MERIX	415854	A115551	OLIVE	470380	A1205B210	ROCKW	455003	A1205E343	ROCKW	470045
A805F179	MERIX	415090	A115775	OLIVE	471192	A1205B2108	ROCKW	40101S	A1205E343	ROCKW	476838
A805F183	MERIX	417602	A115792	OLIVE	471765	A1205B288	ROCKW	416294	A1205E603	ROCKW	415036
A805F187	MERIX	417570	A11592	CASE	417158	A1205B366	ROCKW	410519	A1205E707	ROCKW	5487
A805F190	MERIX	412871	A116110	OLIVE	471391	A1205B366	ROCKW	471271	A1205E837	ROCKW	415437
A805F190	MERIX	450329	A11774	CUSH	240414	A1205B574	ROCKW	6270	A1205E837	ROCKW	455173
A805F191	MERIX	450867	A11788	WHITE	411245	A1205B626	ROCKW	410987	A1205E863X	ROCKW	471391
A805F191	MERIX	470898	A11788	WHITE	455096	A1205B626	ROCKW	450103	A1205E993	ROCKW	417522
A805F192	MERIX	472299	A119488	US-EL	472258	A1205B678	ROCKW	415007	A1205E993X	ROCKW	417522
A805F193	MERIX	470764	A1199R668	ROCKW	411253	A1205B834X	ROCKW	55469	A1205E2186	ROCKW	473490
A805F194	MERIX	455476	A1199R668	ROCKW	450099	A1205C1069	ROCKW	473240	A1205F1043	ROCKW	370178A
A805F195	MERIX	470565	A1205B1042	ROCKW	41026S	A1205C1381	ROCKW	370054A	A1205F136	ROCKW	40468
A805F199	MERIX	450090	A1205B1874	ROCKW	417602	A1205C159	ROCKW	410102	A1205F1748	ROCKW	370030A
A805F201	MERIX	455251H	A1205C2265	ROCKW	410085	A1205C1719	ROCKW	370011A	A1205F362	ROCKW	473446
A805F205	MERIX	417555	A1205C2265	ROCKW	470530	A1205C1875	ROCKW	370036A	A1205F448	ROCKW	416047
A805F208	MERIX	415447	A1205D2266	ROCKW	472029	A1205C1875	ROCKW	370349A	A1205F448	ROCKW	416332
A805F210	MERIX	415379	A1205E1929	ROCKW	415234	A1205C1875	ROCKW	380036A	A1205F664	ROCKW	370023A
A805F215	MERIX	450362	A1205E631	ROCKW	6638S	A1205C211	ROCKW	417159	A1205F664	ROCKW	380023A
A805F218	MERIX	412861	A1205F1228	ROCKW	7937N	A1205C367	ROCKW	411253	A1205F682	ROCKW	451078
A805F220	MERIX	456105	A1205R2410	ROCKW	370003A	A1205C367	ROCKW	450099	A1205F708	ROCKW	415281N
A805F60	MERIX	417205	A1205R2410	ROCKW	380003A	A1205C653	ROCKW	415060	A1205F760	ROCKW	471138
A805F69	MERIX	472439	A1205S2307	ROCKW	370048A	A1205C757	ROCKW	410312N	A1205F838	ROCKW	370037A

INTERCHANGE SECTION

COMPETITIVE INTERCHANGES



Mfr No.	Mfr.	National	Mfr No.	Mfr.	National	Mfr No.	Mfr.	National	Mfr No.	Mfr.	National
A1205F838	ROCKW	370338A	A1205K583	ROCKW	40140S	A1205N742	ROCKW	473458	A1205R1	ROCKW	416738
A1205F88	ROCKW	450183	A1205K635	ROCKW	470737N	A1205N898	ROCKW	370037A	A1205R1	ROCKW	450096
A1205F88	ROCKW	472179	A1205K687	ROCKW	5313	A1205N898	ROCKW	370338A	A1205R1344	ROCKW	416039
A1205G1047	ROCKW	472439	A1205K713	ROCKW	3592	A1205N898X	ROCKW	370037A	A1205R148	ROCKW	416738
A1205G1723	ROCKW	415196	A1205K739	ROCKW	455858	A1205N898X	ROCKW	370338A	A1205R148	ROCKW	450096
A1205G189	ROCKW	415035	A1205K937	ROCKW	370037A	A1205N1132S	ROCKW	470954	A1205R1552	ROCKW	415295
A1205G189	ROCKW	455035	A1205K937	ROCKW	370338A	A1205P1004	ROCKW	370008A	A1205R1630	ROCKW	370006A
A1205G293	ROCKW	418028	A1205K999	ROCKW	370025A	A1205P1108	ROCKW	370048A	A1205R226	ROCKW	450078
A1205G293	ROCKW	455137	A1205K999	ROCKW	380025A	A1205P1108	ROCKW	370182A	A1205R226	ROCKW	473444
A1205G397	ROCKW	475012N	A1205K999	ROCKW	386025A	A1205P1108	ROCKW	380048A	A1205R330	ROCKW	410316
A1205G423	ROCKW	415041	A1205K401	ROCKW	417316	A1205P1212	ROCKW	370025A	A1205R330	ROCKW	472636
A1205G605	ROCKW	40286	A1205L1338	ROCKW	370001A	A1205P1212	ROCKW	380025A	A1205R408	ROCKW	45031S
A1205G631	ROCKW	370001A	A1205L1338	ROCKW	380001A	A1205P1212	ROCKW	386025A	A1205R564	ROCKW	410183N
A1205G631	ROCKW	380001A	A1205L1390	ROCKW	415294	A1205P1446	ROCKW	416191	A1205R590	ROCKW	8635S
A1205G631	ROCKW	6638S	A1205L1390	ROCKW	455294	A1205P1449	ROCKW	370001A	A1205R642	ROCKW	415138
A1205G633	ROCKW	410308	A1205L142	ROCKW	450094	A1205P1449	ROCKW	380001A	A1205S1111X	ROCKW	417364
A1205G633	ROCKW	473468	A1205L142	ROCKW	473462	A1205P146	KEN	411253	A1205S1319	ROCKW	416339
A1205G683	ROCKW	470308N	A1205L1598	ROCKW	370025A	A1205P146	KEN	450099	A1205S1345	ROCKW	472258
A1205G735	ROCKW	416297	A1205L1598	ROCKW	380025A	A1205P1466	ROCKW	416191	A1205S1449	ROCKW	370001A
A1205H138	ROCKW	450494	A1205L1598	ROCKW	386025A	A1205P1602	ROCKW	471787	A1205S1449	ROCKW	380001A
A1205H138	ROCKW	472164	A1205L220	ROCKW	472319	A1205P1680	ROCKW	417359	A1205S149	ROCKW	450067
A1205H1594	ROCKW	370048A	A1205L324	ROCKW	370036A	A1205P198	ROCKW	473447	A1205S149	ROCKW	473228
A1205H1594	ROCKW	370182A	A1205L324	ROCKW	370349A	A1205P224	ROCKW	415034	A1205S1527	ROCKW	475080N
A1205H1594	ROCKW	380048A	A1205L324	ROCKW	380036A	A1205P224	ROCKW	455034	A1205S1631	ROCKW	370051A
A1205H2114	ROCKW	40337S	A1205L364	ROCKW	416107	A1205P276	ROCKW	5751	A1205S1657	ROCKW	415072
A1205H736	ROCKW	416297	A1205L364	ROCKW	455073	A1205P302	ROCKW	415066	A1205S669	ROCKW	370010A
A1205H762	ROCKW	370007A	A1205L415	ROCKW	450316	A1205P328	ROCKW	415001	A1205S695	ROCKW	410308
A1205H762	ROCKW	7866S	A1205L415	ROCKW	472636	A1205P380	ROCKW	5796	A1205S695	ROCKW	450308
A1205H918	ROCKW	40566S	A1205L714	ROCKW	35949N	A1205P406	ROCKW	370178A	A1205S747	ROCKW	6864S
A1205I11061	ROCKW	370003A	A1205L740	ROCKW	5487	A1205P406	ROCKW	416888	A1205S2203	ROCKW	417158
A1205I11061	ROCKW	380003A	A1205L741	ROCKW	5487	A1205P406	ROCKW	455200	A1205T1086	ROCKW	415035
A1205J1102	ROCKW	416107	A1205L750	ROCKW	5487	A1205P614	ROCKW	5401	A1205T124	ROCKW	410316
A1205J1102	ROCKW	455073	A1205L766	ROCKW	476574N	A1205P666	ROCKW	416167	A1205T124	ROCKW	472636
A1205J1206	ROCKW	370007A	A1205L922X	ROCKW	481181	A1205P666	ROCKW	455091	A1205T1252	ROCKW	473467
A1205J1414	ROCKW	417020	A1205L922X	ROCKW	481181N	A1205P848	ROCKW	470530	A1205T150	ROCKW	413469
A1205J1518	ROCKW	415379	A1205M1287	ROCKW	370064A	A1205P900	ROCKW	417247	A1205T1534	ROCKW	200870
A1205J1544	ROCKW	415082N	A1205M1339	ROCKW	370048A	A1205Q1395	ROCKW	3100	A1205T1580	ROCKW	471271
A1205J166	ROCKW	415016N	A1205M1339	ROCKW	370182A	A1205Q1629	ROCKW	416556	A1205T1710	ROCKW	416229
A1205J2116	ROCKW	415124	A1205M1339	ROCKW	380048A	A1205Q1629	ROCKW	472157	A1205T1814	ROCKW	370028A
A1205J2272	ROCKW	370181A	A1205M1625	ROCKW	370178A	A1205Q1655	ROCKW	417484N	A1205T1996	ROCKW	6358
A1205J296	ROCKW	415991	A1205M1718	ROCKW	450523	A1205Q1655	ROCKW	475322N	A1205T2178	ROCKW	40522S
A1205J296	ROCKW	455146	A1205M429	ROCKW	415371	A1205Q1665	ROCKW	417484N	A1205T228	ROCKW	417316
A1205J374	ROCKW	471887	A1205M585	ROCKW	6612S	A1205Q1665	ROCKW	475322N	A1205T436	ROCKW	416130
A1205J634	ROCKW	370030A	A1205M897	ROCKW	370036A	A1205Q1759	ROCKW	452086	A1205T50	ROCKW	450067
A1205J712	ROCKW	417211	A1205M897	ROCKW	370349A	A1205Q1915	ROCKW	3143N	A1205T50	ROCKW	473228
A1205J738	ROCKW	455858	A1205M897	ROCKW	380036A	A1205Q1941	ROCKW	370119A	A1205T634	ROCKW	6635S
A1205J998X	ROCKW	415003	A1205M2197	ROCKW	476514	A1205Q225	ROCKW	450118	A1205T670	ROCKW	370178A
A1205J998X	ROCKW	415458	A1205M2198	ROCKW	416500	A1205Q225	ROCKW	473449	A1205T670	ROCKW	416888
A1205J1934	ROCKW	4564V	A1205N1132	ROCKW	470954	A1205Q329	ROCKW	417159	A1205T696	ROCKW	6872S
A1205K1285	ROCKW	370003A	A1205N1288	ROCKW	370057A	A1205Q407	ROCKW	370022A	A1205T722	ROCKW	455858
A1205K1285	ROCKW	380003A	A1205N1314	ROCKW	370077A	A1205Q407	ROCKW	380022A	A1205T724	ROCKW	370120A
A1205K1337	ROCKW	415991	A1205N1392	ROCKW	370094A	A1205Q45	ROCKW	412119	A1205T748	ROCKW	6864S
A1205K1337	ROCKW	415991N	A1205N1496	ROCKW	415013N	A1205Q45	ROCKW	450101	A1205T774	ROCKW	370120A
A1205K141	ROCKW	470074	A1205N1548	ROCKW	455019	A1205Q563	ROCKW	410085	A1205T800X	ROCKW	415007
A1205K141	ROCKW	474265	A1205N1614	ROCKW	370077A	A1205Q563	ROCKW	470530	A1205T1112	ROCKW	471271
A1205K1753	ROCKW	410312N	A1205N1851	ROCKW	370036A	A1205Q615	ROCKW	5403	A1205U1061	ROCKW	370003A
A1205K1779	ROCKW	475322N	A1205N1851	ROCKW	370349A	A1205Q849X	ROCKW	470680	A1205U1061	ROCKW	380003A
A1205K427	ROCKW	473238	A1205N1851	ROCKW	380036A	A1205Q849X	ROCKW	471570	A1205U1243	ROCKW	417278
A1205K531	ROCKW	470548	A1205N300	ROCKW	410694	A1205Q173	ROCKW	471795	A1205U1529	ROCKW	416654
A1205K531	ROCKW	470625	A1205N664	ROCKW	6663S	A1205Q723	ROCKW	415995V	A1205U1635	ROCKW	472636

INTERCHANGE SECTION

COMPETITIVE INTERCHANGES

Mfr No.	Mfr.	National	Mfr No.	Mfr.	National	Mfr No.	Mfr.	National	Mfr No.	Mfr.	National
A1205U229	ROCKW	472150	A1205X622	ROCKW	417316	A13591	LONG	203029	A151	IRON	450076
A1205U411	ROCKW	411500	A1205X622	ROCKW	455004	A13729	WHITE	471750	A151	IRON	470334
A1205U437	ROCKW	417563	A1205X752	ROCKW	6954S	A138295	CASE	472350	A155226	CASE	415559
A1205U515	ROCKW	410101N	A1205X960	ROCKW	413246N	A139499	HYST	415304	A156577	CASE	473458
A1205U619	ROCKW	6649	A1205X960	ROCKW	470574N	A139499	HYST	476470	A1625	CATER	481864
A1205U697	ROCKW	370006A	A1205X960X	ROCKW	413246N	A1400	CATER	471554	A1625	TMTR	481864
A1205U723	ROCKW	415013N	A1205X960X	ROCKW	470574N	A1401	CATER	472185	A16356	CASE	417262
A1205U749	ROCKW	6864S	A1205Y1377	ROCKW	3143N	A1401	TMTR	472185	A16356	CASE	455448
A1205V1192	ROCKW	370066A	A1205Y1533X	ROCKW	3292	A140145	CASE	415991	A164658	CASE	417485
A1205V126	ROCKW	470548	A1205Y1689X	ROCKW	417278	A140145	CASE	415991N	A16524	OLIVE	470120
A1205V126	ROCKW	470625	A1205Y1715	ROCKW	370054A	A1402	TMTR	450069	A16524	OLIVE	471224
A1205V1374	ROCKW	473274N	A1205Y1923	ROCKW	2297V	A1402	TMTR	473232	A16653	CASE	455330
A1205V1556	ROCKW	482415	A1205Y1975	ROCKW	370065A	A1403	CATER	471766	A175836	AU-WS	416654
A1205V1634X	ROCKW	417603	A1205Y1975	ROCKW	376590A	A1403	TMTR	471766	A175836	AU-WS	455012
A1205V1660	ROCKW	370057A	A1205Y1975	ROCKW	380065A	A1404	TMTR	471762	A1797	TMTR	471689
A1205V230	ROCKW	415027	A1205Y2105	ROCKW	415836	A1405A1	ROCKW	417316	A18000	CASE	456967V
A1205V230	ROCKW	455027	A1205Y2105	ROCKW	415995	A1405A27X	ROCKW	417601	A1805A1	ROCKW	415023
A1205V256	ROCKW	417316	A1205Y233	ROCKW	450084	A1405C3	ROCKW	471267	A1805A131	ROCKW	412943
A1205V256	ROCKW	455004	A1205Y363	ROCKW	416107	A1405D30X	ROCKW	417357	A1805A157	KEN	473228
A1205V386	ROCKW	455151	A1205Y363	ROCKW	455073	A1405D4	ROCKW	340483	A1805A209	ROCKW	473473
A1205V542	ROCKW	370003A	A1205Y415	ROCKW	450316	A1405E5	ROCKW	415072	A1805A261	ROCKW	415272N
A1205V542	ROCKW	380003A	A1205Y415	ROCKW	472636	A1405F6	ROCKW	471224	A1805A365	ROCKW	415449
A1205V596	ROCKW	5408	A1205Y571	KEN	417596	A1405G7	ROCKW	410316	A1805A365	ROCKW	455147
A1205V672	ROCKW	415991	A1205Y571	ROCKW	417596	A1405G7	ROCKW	472636	A1805A417	ROCKW	417344
A1205V672	ROCKW	455146	A1205Y727	ROCKW	475012N	A1405K11	ROCKW	472299	A1805A443	ROCKW	353120
A1205V723	ROCKW	415836	A1205Z1014	ROCKW	417492	A1405P42X	ROCKW	417357	A1805A495	ROCKW	415995
A1205V723	ROCKW	415995	A1205Z156	ROCKW	412119	A1405Q17	ROCKW	411253	A1805A495	ROCKW	455013
A1205V724	ROCKW	415960	A1205Z156	ROCKW	450101	A1405Q17	ROCKW	450099	A1805A53	ROCKW	450316
A1205V724	ROCKW	455009	A1205Z1638X	ROCKW	417491	A1405S45X	ROCKW	415304	A1805A53	ROCKW	472636
A1205V802X	ROCKW	470565	A1205Z1716	ROCKW	370007A	A1405S45X	ROCKW	476470	A1805A547	ROCKW	417353
A1205V958	ROCKW	417484N	A1205Z182	ROCKW	473245	A1405W23	ROCKW	470351	A1805A573	ROCKW	471341N
A1205V958	ROCKW	475322N	A1205Z1820	ROCKW	370120A	A1405Y51	ROCKW	415192N	A1805A625	ROCKW	416271
A1205W1167X	ROCKW	410496	A1205Z2106	ROCKW	412119	A1410	TMTR	200354	A1805A79	ROCKW	415001
A1205W1193	ROCKW	415196	A1205Z286	ROCKW	481443	A14160	WHITE	450316	A1805A235	ROCKW	471785
A1205W1245	ROCKW	370013A	A1205Z338	ROCKW	450084	A14160	WHITE	472636	A1805B106	ROCKW	470950
A1205W1345	ROCKW	370023A	A1205Z364	ROCKW	455513	A14161	WHITE	450067	A1805B106	ROCKW	6241S
A1205W1345	ROCKW	380023A	A1205Z780	ROCKW	370048A	A14161	WHITE	473228	A1805B132	ROCKW	415045
A1205W1375	ROCKW	370001A	A1205Z780	ROCKW	370182A	A14162	WHITE	471750	A1805B2	ROCKW	417487
A1205W1375	ROCKW	380001A	A1205Z780	ROCKW	380048A	A14163	WHITE	450593	A1805B2	ROCKW	455086
A1205W1557	ROCKW	370047A	A1205Z910	ROCKW	415995	A14164	WHITE	470050	A1805B236	ROCKW	472015
A1205W1687X	ROCKW	416865	A1205Z910	ROCKW	455013	A1423	JA-HE	471442	A1805B262	ROCKW	415458
A1205W309	ROCKW	473450	A1208	HWY	415449	A143754	MASSE	415449	A1805B262	ROCKW	455003
A1205W647	ROCKW	415304	A1208	HWY	455147	A143754	MASSE	455147	A1805B262X	ROCKW	415984
A1205W647	ROCKW	476470	A12536	WHITE	411253	A1443	OLIVE	450040	A1805B28	ROCKW	450316
A1205X1116	ROCKW	446927	A12536	WHITE	450099	A1443A	OLIVE	417196	A1805B28	ROCKW	472636
A1205X128	ROCKW	450083	A12929	CASE	472439	A1443B	GAL	417356	A1805B288	ROCKW	471341
A1205X128	ROCKW	472924	A12931	CASE	455186	A1443B	GAL	455188	A1805B314	ROCKW	473179
A1205X1298	ROCKW	370063A	A12994	CASE	450082	A1443B	HOUGH	417356	A1805B340	ROCKW	415725
A1205X1532	ROCKW	455019	A12994	CASE	473238	A1443B	HOUGH	455188	A1805B366	ROCKW	481163
A1205X1662	ROCKW	370025A	A12996	CASE	455330	A1443B	OLIVE	417356	A1805B392	ROCKW	415854
A1205X1662	ROCKW	380025A	A130030	KOEK	417546	A1443B	OLIVE	455188	A1805B415	ROCKW	417602
A1205X1662	ROCKW	386025A	A1305L194	ROCKW	475380N	A1443C	OLIVE	455195	A1805B418	ROCKW	417602
A1205X1688X	ROCKW	415066	A13063	WHITE	450067	A1443C	OLIVE	472157	A1805B470	ROCKW	450362
A1205X1690X	ROCKW	417541	A13063	WHITE	473228	A14538	AMC	471442	A1805B496	ROCKW	415272N
A1205X1792	ROCKW	6358	A1342001	CYCLO	474274	A14629	JOHND	200110	A1805B54	ROCKW	450083
A1205X180	ROCKW	50528	A134Z012	CYCLO	470358	A148456	ALLCH	472012	A1805B54	ROCKW	472924
A1205X1896	ROCKW	4561V	A134Z012	CYCLO	473231	A14987	CASE	450121	A1805B548	ROCKW	415437
A1205X258	ROCKW	410496	A134Z012	GR-DV	470358	A14987	CASE	472409	A1805B574	ROCKW	470898
A1205X414	ROCKW	471887	A134Z012	GR-DV	473231	A149A	BR-WN	450076	A1805B678	ROCKW	417603
A1205X596	ROCKW	5408	A13591	BORGW	203029	A149A	BR-WN	470334	A1805B80	ROCKW	475009N

INTERCHANGE SECTION

COMPETITIVE INTERCHANGES



Mfr No.	Mfr.	National	Mfr No.	Mfr.	National	Mfr No.	Mfr.	National	Mfr No.	Mfr.	National
A1805C107	ROCKW	472394	A1805F630	ROCKW	450540	A1805K63	ROCKW	412920	A1805P250	ROCKW	471868
A1805C133	ROCKW	450069	A1805F708	ROCKW	415156N	A1805K63	ROCKW	450132	A1805P276	ROCKW	412119
A1805C133	ROCKW	473232	A1805G319	ROCKW	472144	A1805K89	ROCKW	450082	A1805P276	ROCKW	450101
A1805C159	ROCKW	450352	A1805G371	ROCKW	471984	A1805K89	ROCKW	473238	A1805P328	ROCKW	340823
A1805C159	ROCKW	472164	A1805G423	ROCKW	415379	A1805K401	ROCKW	470764	A1805P354	ROCKW	470898
A1805C185	ROCKW	415725	A1805G579	ROCKW	450069	A1805L12	ROCKW	416654	A1805P380	ROCKW	450489
A1805C237	ROCKW	473474	A1805G579	ROCKW	473232	A1805L12	ROCKW	455012	A1805P380	ROCKW	473244
A1805C29	ROCKW	416865	A1805G59	ROCKW	472394	A1805L142	ROCKW	470403	A1805P406	ROCKW	415090
A1805C3	ROCKW	415960	A1805G605	ROCKW	412473	A1805L142	ROCKW	470774	A1805P432	ROCKW	417555
A1805C3	ROCKW	455009	A1805G605	ROCKW	415894	A1805L168	ROCKW	472164	A1805P458	ROCKW	415447
A1805C315	ROCKW	470898	A1805G683	ROCKW	450519	A1805L194	ROCKW	475380N	A1805P484	ROCKW	455195
A1805C367	ROCKW	473450	A1805G683	ROCKW	471271	A1805L220	ROCKW	473475	A1805P484	ROCKW	472157
A1805C419	ROCKW	470565	A1805G709	ROCKW	416624N	A1805L272	ROCKW	472015	A1805P536	ROCKW	415483
A1805C549	ROCKW	472439	A1805G85	ROCKW	470045	A1805L350	ROCKW	416664	A1805P562	ROCKW	417480
A1805C575	ROCKW	417247	A1805G85	ROCKW	476838	A1805L350	ROCKW	455364	A1805P562	ROCKW	455860
A1805D134	ROCKW	450183	A1805H138	ROCKW	471354	A1805L376	ROCKW	472185	A1805P588	ROCKW	416294
A1805D134	ROCKW	472179	A1805H1386X	ROCKW	417603	A1805L402	ROCKW	415938	A1805P666	ROCKW	473238
A1805D160	ROCKW	450084	A1805H164	ROCKW	416404	A1805L454	ROCKW	470605	A1805P718	ROCKW	415498
A1805D186	ROCKW	473203	A1805H190	ROCKW	415142	A1805L532	ROCKW	471887	A1805P94	ROCKW	471787
A1805D212	ROCKW	417484N	A1805H294	ROCKW	412871	A1805L558	ROCKW	473215	A1805Q199	ROCKW	450185
A1805D290	ROCKW	473234	A1805H294	ROCKW	450329	A1805L584	ROCKW	417172	A1805Q199	ROCKW	473229
A1805D316	ROCKW	415498	A1805H398	ROCKW	450867	A1805L610	ROCKW	473244	A1805Q225	ROCKW	410524
A1805D342	ROCKW	417597	A1805H398	ROCKW	470898	A1805L64	ROCKW	411253	A1805Q277	ROCKW	455655
A1805D368	ROCKW	471276	A1805H424	ROCKW	455509	A1805L64	ROCKW	450099	A1805Q303	ROCKW	470737N
A1805D4	ROCKW	417158	A1805H450	ROCKW	470530	A1805L688	ROCKW	416294	A1805Q307	ROCKW	410519
A1805D4	ROCKW	455355	A1805H580	ROCKW	416107	A1805L90	ROCKW	450456	A1805Q307	ROCKW	471271
A1805D498X	ROCKW	472439	A1805H60	ROCKW	410312N	A1805M13	ROCKW	415551	A1805Q381	ROCKW	450965
A1805D550	ROCKW	470530	A1805H606	ROCKW	473228	A1805M167	ROCKW	473227	A1805Q407	ROCKW	415234
A1805D56	ROCKW	473226	A1805H606	ROCKW	481837	A1805M169	ROCKW	473227	A1805Q433	ROCKW	472258
A1805D82	ROCKW	410316	A1805H86	ROCKW	473211	A1805M273	ROCKW	473471	A1805Q485	ROCKW	417211
A1805D82	ROCKW	472636	A1805J140	ROCKW	410163	A1805M299	ROCKW	455330	A1805Q537	ROCKW	416297
A1805E135	ROCKW	416921	A1805J140	ROCKW	471766	A1805M351	ROCKW	473243	A1805Q563	ROCKW	410520
A1805E135	ROCKW	455011	A1805J166	ROCKW	415016N	A1805M377	ROCKW	417492	A1805Q563	ROCKW	471272
A1805E187	ROCKW	412473	A1805J192	ROCKW	470120	A1805M429	ROCKW	455251H	A1805Q589	ROCKW	415035
A1805E187	ROCKW	415894	A1805J192	ROCKW	471224	A1805M455	ROCKW	417597	A1805Q589	ROCKW	415953
A1805E239	ROCKW	455330	A1805J218	ROCKW	472492	A1805M481	ROCKW	55563	A1805Q615	ROCKW	415854
A1805E343	ROCKW	415371	A1805J296	ROCKW	472164	A1805M533	ROCKW	415327	A1805Q667	ROCKW	415035
A1805E369	ROCKW	370018A	A1805J348	ROCKW	450365	A1805M559	ROCKW	471413	A1805Q667	ROCKW	455035
A1805E369	ROCKW	418028	A1805J348	ROCKW	470898	A1805M585	ROCKW	415259	A1805Q693	ROCKW	473232
A1805E369	ROCKW	455137	A1805J374	ROCKW	415303	A1805M611	ROCKW	417541	A1805Q95	ROCKW	417344
A1805E395	ROCKW	417570	A1805J400	ROCKW	472299	A1805M65	ROCKW	450084	A1805Q69	ROCKW	470059
A1805E473	ROCKW	455035N	A1805J478	ROCKW	416364	A1805M91	ROCKW	415001	A1805Q69	ROCKW	470380
A1805E5	ROCKW	415023	A1805J530	ROCKW	415138	A1805M91	ROCKW	455001	A1805R122	ROCKW	416011
A1805E57	ROCKW	450078	A1805J556	ROCKW	417205	A1805N118	ROCKW	450154	A1805R122	ROCKW	417621
A1805E57	ROCKW	473444	A1805J608	ROCKW	417134	A1805N118	ROCKW	473234	A1805R174	ROCKW	415991
A1805E577	ROCKW	415447	A1805J62	ROCKW	415995	A1805N300	ROCKW	450194	A1805R174	ROCKW	455146
A1805E603	ROCKW	472397	A1805J62	ROCKW	455013	A1805N300	ROCKW	473010	A1805R200	ROCKW	472287
A1805E695	ROCKW	473214	A1805J686	ROCKW	472492	A1805N508	ROCKW	456305	A1805R226	ROCKW	473237
A1805F110	ROCKW	472144	A1805K11	ROCKW	416288	A1805N534	ROCKW	415551	A1805R278	ROCKW	417562
A1805F136	ROCKW	412119	A1805K141	ROCKW	473471	A1805N638	ROCKW	415281N	A1805R304	ROCKW	470351
A1805F136	ROCKW	450101	A1805K193	ROCKW	450085	A1805N66	ROCKW	415988	A1805R304	ROCKW	471504
A1805F162	ROCKW	415086N	A1805K193	ROCKW	470530	A1805N673	ROCKW	455121	A1805R330	ROCKW	472179
A1805F162	ROCKW	417487	A1805K245	ROCKW	6200	A1805N248	ROCKW	480630	A1805R356	ROCKW	415483
A1805F240	ROCKW	415656	A1805K297	ROCKW	415035	A1805N40	ROCKW	471787	A1805R356	ROCKW	455368
A1805F500	ROCKW	8650S	A1805K37	ROCKW	450076	A1805P120	ROCKW	415013	A1805R538	ROCKW	415725
A1805F526	ROCKW	473204	A1805K37	ROCKW	470334	A1805P120	ROCKW	415995	A1805R564	ROCKW	450803
A1805F552	ROCKW	473244	A1805K375	ROCKW	470565	A1805P146	ROCKW	450117	A1805R590	ROCKW	416047
A1805F578	ROCKW	415147	A1805K427	ROCKW	450090	A1805P146	ROCKW	472572	A1805R590	ROCKW	416332
A1805F578	ROCKW	415449	A1805K531	ROCKW	470565	A1805P16	ROCKW	415960	A1805R616	ROCKW	417357
A1805F58	ROCKW	455151	A1805K557	ROCKW	472258	A1805P198	ROCKW	470806	A1805R694	ROCKW	416664

INTERCHANGE SECTION

COMPETITIVE INTERCHANGES

Mfr No.	Mfr.	National	Mfr No.	Mfr.	National	Mfr No.	Mfr.	National	Mfr No.	Mfr.	National
A1805R96	ROCKW	470088	A1805U541	ROCKW	415447	A1805Y129	ROCKW	455147	A205F1034	ROCKW	416888
A1805R382	ROCKW	471192	A1805U567	ROCKW	416321	A1805Y233	ROCKW	415304	A205F713	ROCKW	415379
A1805S123	ROCKW	473473	A1805U645	ROCKW	471424	A1805Y233	ROCKW	476470	A205F713	ROCKW	455379
A1805S149	ROCKW	476283N	A1805U723	ROCKW	370018A	A1805Y259	ROCKW	415001	A205F841	ROCKW	450389
A1805S19	ROCKW	450467	A1805V256	ROCKW	455134	A1805Y259	ROCKW	455001	A205F841	ROCKW	472492
A1805S220	ROCKW	473475	A1805V308	ROCKW	417600	A1805Y285	ROCKW	410524	A205F847	ROCKW	410987
A1805S227	ROCKW	412027	A1805V386	ROCKW	450070	A1805Y337	ROCKW	455480	A205F847	ROCKW	450686
A1805S253	ROCKW	470543	A1805V386	ROCKW	472185	A1805Y51	ROCKW	415023	A205F863	ROCKW	415281N
A1805S253	ROCKW	474272	A1805V490	ROCKW	417262	A1805Y519	ROCKW	415004	A205F886	ROCKW	412119
A1805S279	ROCKW	471570	A1805V490	ROCKW	455448	A1805Y519	ROCKW	417316	A205F911	ROCKW	415836
A1805S305	ROCKW	470954	A1805V516	ROCKW	415389	A1805Y545	ROCKW	417191	A205F911	ROCKW	415995
A1805S305	ROCKW	480954	A1805V516X	ROCKW	415389	A1805Y597	ROCKW	450301	A205F939	ROCKW	450298
A1805S331	ROCKW	417354	A1805V542	ROCKW	416267	A1805Y597	ROCKW	472397	A205F939	ROCKW	473239
A1805S357	ROCKW	472439	A1805V568	ROCKW	416865	A1805Y727	ROCKW	450298	A205F960	ROCKW	476470
A1805S383	ROCKW	471195	A1805V620	ROCKW	472179	A1805Y727	ROCKW	473239	A205F997	ROCKW	471138
A1805S383	ROCKW	481195	A1805V724	ROCKW	416706	A1805Y77	ROCKW	455018	A205P1022	ROCKW	450073
A1805S409	ROCKW	471341N	A1805V74	ROCKW	55353	A1805Y77	ROCKW	476470	A205P1024	ROCKW	417485
A1805S487	ROCKW	415004	A1805V334	ROCKW	471192	A1805Y207	ROCKW	480630	A206X	FMC	340009S
A1805S487	ROCKW	417316	A1805W101	ROCKW	473313	A1805Y401	ROCKW	470764	A2075	MINNM	472144
A1805S513	ROCKW	415281N	A1805W127	ROCKW	415458	A1805Z104	ROCKW	415147	A207X	FMC	350954
A1805S539	ROCKW	471341	A1805W127	ROCKW	455003	A1805Z104	ROCKW	415449	A207X	FMC	470954
A1805S565	ROCKW	473423	A1805W257	ROCKW	39302	A1805Z130	ROCKW	415003	A20939	CASE	415984
A1805S617	ROCKW	416892	A1805W335	ROCKW	415281N	A1805Z130	ROCKW	415458	A212039	GMC	416229
A1805S643	ROCKW	416556	A1805W413	ROCKW	450352	A1805Z234	ROCKW	450121	A212040	GMC	416239
A1805S643	ROCKW	472157	A1805W413	ROCKW	472164	A1805Z234	ROCKW	472409	A21273	MERIX	470169
A1805S695	ROCKW	473214	A1805W439	ROCKW	450441	A1805Z26	ROCKW	340483	A21273	MERIX	473214
A1805S71	ROCKW	475234N	A1805W439	ROCKW	471341	A1805Z260	ROCKW	417601	A21273	ROCKW	470169
A1805S721	ROCKW	415449	A1805W465	ROCKW	415009	A1805Z286	ROCKW	410825	A21273	ROCKW	473214
A1805S721	ROCKW	455147	A1805W465	ROCKW	415960	A1805Z338	ROCKW	412027	A21878	CASE	415725
A1805S175	ROCKW	471765	A1805W517	ROCKW	416271	A1805Z364	ROCKW	471316	A223897	GMC	55469
A1805T124	ROCKW	410316	A1805W543	ROCKW	415303	A1805Z442	ROCKW	415447	A223898	CASE	470064
A1805T124	ROCKW	472636	A1805W569	ROCKW	455186	A1805Z494	ROCKW	470567	A223898	CASE	471821
A1805T20	ROCKW	470088	A1805W647	ROCKW	450523	A1805Z494	ROCKW	471267	A223899	CASE	415449
A1805T228	ROCKW	417316	A1805W725	ROCKW	370008A	A1805Z494X	ROCKW	471267	A223899	CASE	455147
A1805T254	ROCKW	471827	A1805W153	ROCKW	473227	A1805Z52	ROCKW	417487	A224015	CASE	471689
A1805T306	ROCKW	450389	A1805X104	ROCKW	415147	A1805Z52	ROCKW	455014	A23903	CASE	471224
A1805T306	ROCKW	472492	A1805X104	ROCKW	415449	A1805Z520	ROCKW	415281N	A24122	CASE	474278
A1805T358	ROCKW	450082	A1805X128	KEN	450316	A1805Z546	ROCKW	8907	A245	SPICE	470606
A1805T358	ROCKW	473238	A1805X128	KEN	472636	A1805Z572	ROCKW	473239	A2471	TMTR	473448
A1805T384	ROCKW	412119	A1805X128	ROCKW	450316	A1805Z598	ROCKW	470605	A249A	BR-WN	450291
A1805T384	ROCKW	450101	A1805X128	ROCKW	472636	A18185	CASE	470308N	A249A	BR-WN	471141
A1805T410	ROCKW	450365	A1805X154	ROCKW	411253	A187	SPICE	473215	A25153	CASE	475009N
A1805T410	ROCKW	470898	A1805X206	ROCKW	415437	A187	TRUK	473215	A25235	CASE	471341
A1805T488	ROCKW	415984	A1805X232	ROCKW	450444	A19284	OLIVE	473215	A25244	CASE	470898
A1805T540	ROCKW	415447	A1805X232	ROCKW	471835	A193983	IH	415035	A25407	CASE	471554
A1805T618	ROCKW	472705	A1805X258	ROCKW	415016N	A19630	TIMKE	415138	A25618	AMC	471579
A1805T722	ROCKW	471424	A1805X260	ROCKW	417601	A1978	JAC	474260	A256A	OLIVE	450043
A1805T98	ROCKW	410183N	A1805X284	ROCKW	455080	A1ES17908	MERIX	455655	A256A	OLIVE	473419
A1805TSG1	ROCKW	472636	A1805X286	ROCKW	410825	A1ES17908	ROCKW	455655	A25897	WHITE	473215
A1805U151	ROCKW	416404	A1805X336	ROCKW	415483	A1ES20065	MERIX	415379	A26190	WHITE	470059
A1805U177	ROCKW	450039	A1805X336	ROCKW	455368	A1ES20065	MERIX	455379	A26190	WHITE	470380
A1805U203	ROCKW	473214	A1805X337	ROCKW	455480	A1ES20065	ROCKW	415379	A26191	WHITE	450593
A1805U281	ROCKW	455480	A1805X362	ROCKW	455186	A1ES20065	ROCKW	455379	A261997	GMC	472439
A1805U307	ROCKW	450519	A1805X518	ROCKW	416130	A20288	CASE	410752	A26365	WHITE	470050
A1805U307	ROCKW	471271	A1805X544	ROCKW	416130	A205F1019	ROCKW	475009N	A26409	US-EL	470062
A1805U333	ROCKW	413246	A1805Y103	ROCKW	450291	A205F1023	ROCKW	410101N	A26409	US-EL	474264
A1805U333	ROCKW	413246N	A1805Y103	ROCKW	471141	A205F1029	ROCKW	415086N	A26410	US-EL	417171
A1805U381	ROCKW	450965	A1805Y105	ROCKW	450291	A205F1029	ROCKW	417487	A26500	WHITE	471281
A1805U47	ROCKW	417205	A1805Y105	ROCKW	471141	A205F1032	ROCKW	416888	A265638	MASSE	473228
A1805U515	ROCKW	410101N	A1805Y129	ROCKW	415449	A205F1032	ROCKW	455200	A26586	KOEK	416865

INTERCHANGE SECTION

COMPETITIVE INTERCHANGES



Mfr No.	Mfr.	National	Mfr No.	Mfr.	National	Mfr No.	Mfr.	National	Mfr No.	Mfr.	National
A26586	KOEH	455070	A293811	MASSE	415351	A312648	BORGW	472439	A4068821	BRWNG	471612
A265987	THEW	416556	A29424	CASE	450066	A312648009	BORGW	472439	A4068839	BRWNG	481859
A265987	THEW	472157	A29424	CASE	473367	A31396	LEROI	40027S	A4080388	BRWNG	473458
A26671	WHITE	450078	A296173	CHRY5	416011	A314087X1	BORGW	472185	A4107	TMTR	41264S
A26671	WHITE	473444	A296173	CHRY5	417621	A32015	CASE	415137	A4179	CASE	470351
A26758	CASE	470045	A29762	WHITE	470120	A32015	CASE	418028	A4179	CASE	471504
A26758	CASE	476838	A29762	WHITE	471224	A32275X	WHITE	412920	A41814	CASE	417499
A26759	CASE	417344	A2TZ7052A	FORD	410059	A32275X	WHITE	450132	A43103	THEW	416476
A26759	CASE	455006	A2TZ7052A	FORD	470380	A32304	CASE	413247	A43103	THEW	455075
A26760	CASE	450070	A30102	CASE	455134	A32305	CASE	415984	A43125	THEW	416239
A26760	CASE	472185	A3018A	GAL	473228	A32308	CASE	340849	A43146	THEW	417602
A26770	CASE	415001	A3018A	HOUGH	473228	A32419	CASE	J1103	A4330	BLUE	450361
A26770	CASE	455001	A3018A	OLIVE	473228	A32583	WHITE	473213	A4330	BLUE	472193
A26777	CASE	472287	A3019A	GAL	450067	A32803	CASE	J1125	A447	JAC	471137
A26778	CASE	471466	A3019A	GAL	473228	A32807	CASE	417499	A45350	TROS	9015S
A26842	CASE	450474	A3019A	HOUGH	450067	A33734	CASE	471195	A45350S	L&S	9015S
A26849	CASE	470120	A3019A	HOUGH	473228	A33734	CASE	481195	A45351	L&S	484058
A26849	CASE	471224	A3019A	OLIVE	450067	A34656	CASE	415150	A45351	TROS	484058
A26862	CASE	471570	A3019A	OLIVE	473228	A3517	CATER	473010	A45352S	L&S	8597S
A26870	THEW	416921	A3019B	OLIVE	472394	A3517	TMTR	473010	A45352S	TROS	8597S
A26870	THEW	455011	A30302	CASE	473426	A35340	WHITE	473215	A45353S	L&S	473228
A26987	THEW	416556	A30323	CASE	472287	A35372	WHITE	417316	A45353S	L&S	51098
A26987	THEW	472157	A303478	BORGW	417210	A35372	WHITE	455004	A45353S	TROS	473228
A27086	WHITE	450066	A3035	GAL	471570	A35414	WHITE	472234	A45353S	TROS	51098
A27086	WHITE	473367	A3035	HOUGH	471570	A35585	THEW	55030	A45357S	L&S	8429S
A27130	CASE	417316	A3035	OLIVE	471570	A35650	WHITE	450352	A45357S	TROS	8429S
A272	COTTA	470950	A303755	BORGW	470712	A35650	WHITE	472164	A45358S	L&S	8549S
A272	COTTA	6241S	A30380	CASE	473466	A35652	WHITE	415025	A45358S	TROS	8549S
A27415	CASE	415458	A30501	CASE	450316	A35848	WHITE	40566S	A45360S	L&S	472082
A27415	CASE	455003	A30501	CASE	472636	A362X4	CASE	6863S	A45360S	TROS	472082
A27464	CASE	455566	A30527	CASE	471192	A364X17	CASE	40395	A45363S	L&S	332062
A276919	NAPCO	471267	A30559	CASE	470163	A364X17	CASE	40395S	A45363S	TROS	332062
A27701	WHITE	416738	A30559	CASE	471766	A364X3	BU-SP	330385	A45364S	L&S	480479H
A27701	WHITE	450096	A30590	CASE	471529	A36609	CASE	473467	A45364S	TROS	473445
A27705	CASE	417344	A30600	CASE	450431	A37147	CASE	412871	A45365P	TROS	8460N
A27705	CASE	455006	A30600	CASE	471539	A37147	CASE	450329	A45366S	L&S	8430S
A27838	CASE	415003	A30606	CASE	450441	A37558	CASE	471281	A45366S	TROS	8430S
A27838	CASE	415458	A30606	CASE	471341	A37611	CASE	471192	A45369P	TROS	8460N
A279A	OLIVE	472705	A30639	WHITE	412920	A37647	CASE	472350	A45400	TROS	470712
A28	LAVIN	471652	A30639	WHITE	450132	A380859	CHRY5	416865	A45406S	TROS	473010
A28096	THEW	450316	A30684	AMC	471255	A380859	CHRY5	455070	A45409S	TROS	471192
A28096	THEW	472636	A30721	DURA	470169	A380861	CHRY5	415645	A45410	L&S	1012N
A28138	CASE	415379	A30721	DURA	473214	A380861	CHRY5	455104	A45410	TROS	1012N
A28164	WHITE	415988	A3105	OLIVE	455195	A38231	CASE	412871	A45411S	TROS	472492
A28187	CASE	418028	A3105	OLIVE	472157	A383	TMTR	473442	A45413	TROS	472164
A28187	CASE	455137	A3106	TMTR	323138	A3868AB	CASE	473215	A45414	TROS	472258
A28192	WHITE	450085	A3107	AM CA	417316	A39273	CASE	471341	A45420	TROS	471787
A28192	WHITE	470530	A3107	AM CA	455004	A39441	CASE	471442	A45426	TROS	472299
A28238	CASE	470169	A31101	LEROI	450446	A39453	CASE	330663	A45428	L&S	472299
A28238	CASE	473214	A3111	HOUGH	416271	A39453	CASE	472354	A45428	TROS	471571
A28317	CASE	470219	A3111	OLIVE	416271	A39666	CASE	473010	A45431	TROS	330385
A28317	CASE	471649	A31139	LEROI	473225	A3994	CASE	415458	A45435	L&S	1037
A28549	CASE	415003	A311540	BORGW	J1121	A3994	CASE	455003	A45435	TROS	1037
A28549	CASE	415458	A311540009	BORGW	J1121	A405F2	ROCKW	55337	A45437	L&S	226020
A287818	CASE	411245	A31171	LEROI	450803	A405F4	ROCKW	455583N	A45437	TROS	226020
A287818	CASE	455096	A31178	CASE	470027	A4068128	BRWNG	321516	A45443S	L&S	473238
A28963	WHITE	470077	A31178	CASE	471554	A4068128	BRWNG	471516	A45443S	TROS	473238
A28963	WHITE	474281	A31179	LEROI	470027	A4068771	BRWNG	470989	A45447S	L&S	1049
A29287EX	OLIVE	470163	A31179	LEROI	471554	A4068797	BRWNG	471612	A45447S	TROS	1049
A29287EX	OLIVE	471766	A31228	CASE	473215	A4068813	BRWNG	481397	A45449S	L&S	472299

INTERCHANGE SECTION

COMPETITIVE INTERCHANGES

Mfr No.	Mfr.	National	Mfr No.	Mfr.	National	Mfr No.	Mfr.	National	Mfr No.	Mfr.	National
A45458	TROS	224045	A45758K	L&S	5458	A45987	TROS	450307	A46281	TROS	6186
A45459	L&S	224045	A45758K	TROS	5458	A45988	TROS	6064	A46300	TROS	6200
A45459S	L&S	224045	A45760K	L&S	5460	A45992	TROS	450365	A46310	TROS	471271
A45463	L&S	470898	A45760K	TROS	5460	A45992	TROS	470898	A46317	L&S	6241S
A45463	TROS	470898	A45764K	TROS	370002A	A45998	L&S	5827	A46317	TROS	6241S
A45472	TROS	472164	A45765K	L&S	370009A	A45998	TROS	5827	A46325	L&S	6270
A45476	TROS	224040	A45765K	TROS	370009A	A46004	L&S	5836	A46325	TROS	370008A
A45496	TROS	471224	A45765K	TROS	380009A	A46004	TROS	5836	A46326S	L&S	6283S
A45496S	L&S	471224	A45767K	TROS	370019A	A46009	TROS	6064	A46326S	TROS	6283S
A45513	TROS	416664	A45768K	TROS	370005A	A46016	L&S	5857	A46328S	L&S	470351
A45518	TROS	471195	A45771K	TROS	370027A	A46016	TROS	5857	A46332	L&S	6312
A45518	TROS	481195	A45775K	L&S	370024A	A46020	L&S	5865	A46332	TROS	6312
A45521	HYST	473226	A45775K	TROS	370024A	A46020	TROS	5865	A46335	L&S	6324S
A45537	L&S	227040	A45781K	L&S	5481	A46026S	TROS	5872S	A46335	TROS	6324S
A45537	TROS	227040	A45781K	TROS	370003A	A46029	TROS	455280	A46336	TROS	493291
A45542S	L&S	2443	A45781K	TROS	380003A	A46031	L&S	5877	A46337	TROS	3210
A45542S	TROS	2443	A45787K	L&S	5487	A46031	TROS	5877	A46338S	L&S	6329S
A45543S	L&S	2503N	A45787K	TROS	5487	A46049	TROS	473228	A46338S	TROS	6329S
A45543S	TROS	2503N	A45788K	TROS	5589	A46049	TROS	51098	A46341S	L&S	6336S
A45549	L&S	1174	A45795K	TROS	370006A	A46052	L&S	200354	A46341S	TROS	6336S
A45549S	TROS	1174	A45800K	L&S	370003A	A46052	TROS	200354	A46342	TROS	473435
A45553S	L&S	224015	A45800K	TROS	370003A	A46052S	TROS	200354	A46344	TROS	450776
A45553S	TROS	224015	A45800K	TROS	380003A	A46055	TROS	455151	A46349S	L&S	6357S
A45554S	L&S	224045	A45801K	TROS	370006A	A46057	L&S	5924	A46349S	TROS	6357S
A45555S	L&S	1180	A45807K	TROS	370009A	A46057	TROS	5924	A46350	L&S	6358
A45557S	TROS	1167	A45807K	TROS	380009A	A46073	L&S	370036A	A46350	TROS	6358
A45558S	L&S	1183	A45807K	TROS	5089	A46073	TROS	370036A	A46353	L&S	440265
A45558S	TROS	1183	A45810K	TROS	5092	A46073	TROS	370349A	A46353	TROS	440265
A45563S	L&S	1188	A45813K	TROS	5072	A46073	TROS	380036A	A46356P	L&S	6370N
A45563S	TROS	1188	A45816K	L&S	5573	A46074	L&S	5965	A46356S	TROS	6370N
A45564	L&S	1960	A45816K	TROS	5573	A46074	TROS	5965	A46358	TROS	470403
A45564	TROS	1960	A45818K	TROS	5095	A46076	L&S	203034	A46358	TROS	470774
A45565	L&S	1955	A45819K	TROS	5578	A46076	TROS	203034	A46361	TROS	6380
A45565	TROS	1955	A45823K	L&S	5072	A46079	TROS	5976S	A46405	TROS	471442
A45571S	L&S	1196	A45823K	TROS	5072	A46079S	L&S	5976S	A46405S	TROS	471442
A45583S	L&S	1208	A45825K	L&S	5589	A46079S	TROS	7840S	A46409	TROS	483054N
A45583S	TROS	1208	A45825K	TROS	5589	A46081	TROS	471526	A46409S	L&S	483054N
A45584S	L&S	1209	A45826K	L&S	5591	A46088	TROS	470548	A46413	TROS	330663
A45584S	TROS	1209	A45826K	TROS	5591	A46088	TROS	470625	A46413	TROS	472354
A45588	L&S	1213N	A45829K	L&S	5095	A46214	TROS	415437	A46414	TROS	417267
A45588	TROS	1213N	A45829K	TROS	5095	A46222	TROS	415899N	A46421S	TROS	417349
A45599	CASE	471765	A45830R	L&S	713750	A46222	TROS	416624N	A46429	TROS	370002A
A45612	L&S	5070	A45905S	TROS	474278	A46234	L&S	6064	A46429S	L&S	370002A
A45612	TROS	5070	A45918	L&S	450666	A46234	TROS	6064	A46431S	L&S	6460S
A45613K	L&S	5072	A45918	TROS	450666	A46235	TROS	413478	A46441	TROS	417223
A45613K	TROS	5072	A45932	TROS	5727	A46242	TROS	412871	A46447	L&S	455566
A45658K	L&S	5313	A45937	TROS	410312N	A46242	TROS	450329	A46447S	TROS	455566
A45658K	TROS	5313	A45948	L&S	5751	A46243	TROS	473473	A46450	L&S	471829
A45664K	L&S	5201	A45948	TROS	5751	A46244	L&S	353141	A46450	TROS	471829
A45664K	TROS	5201	A45950	L&S	5756	A46244	TROS	353141	A46454	TROS	472015
A45701K	L&S	7512SSO	A45950	TROS	5756	A46247	TROS	6090S	A46460	L&S	410708
A45701K	TROS	7512SSO	A45957	L&S	471141	A46247S	L&S	6090S	A46460	TROS	410708
A45703K	L&S	5403	A45957	TROS	471141	A46248	TROS	471442	A46468	TROS	6545
A45703K	TROS	5403	A45961	L&S	5778	A46257	TROS	473463	A46474S	TROS	415147
A45708K	L&S	5408	A45961	TROS	5778	A46258	TROS	410708	A46474S	TROS	415449
A45708K	TROS	5408	A45974	L&S	473450	A46272	TROS	6163S	A46475	TROS	6565N
A45714K	L&S	5414	A45974	TROS	473450	A46272S	L&S	6163S	A46477	TROS	416888
A45714K	TROS	5414	A45976	TROS	5796	A46273	L&S	452222	A46477S	L&S	416888
A45719K	L&S	5419	A45981	L&S	414045	A46273	TROS	452222	A46478	TROS	6575S
A45719K	TROS	5419	A45981	TROS	414045	A46281	L&S	6186	A46478S	L&S	6575S

INTERCHANGE SECTION

COMPETITIVE INTERCHANGES



Mfr No.	Mfr. National	Mfr No.	Mfr. National	Mfr No.	Mfr. National	Mfr No.	Mfr. National
A46481	TROS 6584S	A46601S	TROS 471264	A46664S	L&S 6954S	A46846S	TROS 7354N
A46481S	L&S 6584S	A46602S	L&S 481443	A46664S	TROS 6954S	A46847	TROS 370003A
A46483S	L&S 6590S	A46602S	TROS 481443	A46665	L&S 44053	A46847	TROS 380003A
A46483S	TROS 6590S	A46603	TROS 6808N	A46665	TROS 44053	A46848	TROS 370006A
A46488S	TROS 6597S	A46603P	L&S 9316	A46666	L&S 6960	A46849S	TROS 415302
A46501S	L&S 6612S	A46606	L&S 6815	A46666	TROS 6960	A46850S	L&S 7381S
A46501S	TROS 6612S	A46606	TROS 6815	A46666S	L&S 6960	A46850S	TROS 7381S
A46505S	L&S 6626S	A46606S	TROS 6815	A46668S	L&S 3103	A46853S	L&S 321460
A46509S	L&S 6635S	A46607	L&S 6818	A46668S	TROS 3103	A46853S	TROS 321460
A46509S	TROS 370030A	A46607	TROS 6818	A46671	L&S 205017	A46855S	L&S 9376
A46510S	L&S 6636S	A46609S	TROS 450185	A46671	TROS 203008	A46855S	TROS 9376
A46510S	TROS 6636S	A46609S	TROS 473229	A46672	L&S 6985	A46856S	L&S 474260
A46514	TROS 351267	A46610S	TROS 6832S	A46672	TROS 6985	A46856S	TROS 474260
A46514	TROS 471267	A46611S	TROS 370009A	A46673R	L&S 6988H	A46857S	TROS 7399S
A46514S	L&S 351267	A46611S	TROS 380009A	A46673R	TROS 6988H	A46858S	TROS 7412S
A46514S	L&S 471267	A46612S	L&S 6835S	A46675S	L&S 474278	A46861S	TROS 370015A
A46517S	TROS 9613S	A46612S	TROS 6835S	A46675S	L&S 6859S	A46863S	TROS 370019A
A46518S	L&S 350679	A46613	L&S 6840S	A46675S	TROS 474278	A46864S	TROS 370021A
A46518S	L&S 470954	A46613	TROS 6840S	A46675S	TROS 6859S	A46865S	L&S 370005A
A46518S	TROS 350679	A46613S	L&S 6840S	A46800S	TROS 370006A	A46865S	TROS 370005A
A46518S	TROS 470954	A46615	TROS 7600S	A46801S	L&S 7013S	A46867	TROS 7457N
A46519	TROS 6649	A46615S	L&S 7600S	A46801S	TROS 7013S	A46867P	L&S 7457N
A46519K	L&S 6649	A46620S	L&S 6847S	A46802S	L&S 7014S	A46867S	TROS 7457N
A46521S	TROS 473234	A46620S	TROS 6847S	A46802S	TROS 7014S	A46868S	L&S 7486S
A46524	TROS 6663S	A46627S	TROS 410496	A46806S	L&S 7022S	A46868S	TROS 7486S
A46525S	TROS 6668S	A46628S	L&S 351267	A46806S	TROS 7022S	A46869	L&S 7994S
A46528	TROS 471413	A46628S	L&S 471267	A46808	TROS 370004A	A46869	TROS 7994S
A46528S	L&S 471413	A46628S	TROS 351267	A46810S	TROS 473234	A46869S	L&S 7994S
A46530S	TROS 470605	A46628S	TROS 471267	A46811S	L&S 410059	A46870S	L&S 7495S
A46531	TROS 417355	A46629S	TROS 417210	A46811S	L&S 470380	A46870S	TROS 473214
A46531	TROS 485497	A46630S	L&S 6863S	A46811S	TROS 410059	A46872S	L&S 342805
A46531S	L&S 417355	A46630S	TROS 6863S	A46811S	TROS 470380	A46872S	TROS 342805
A46531S	L&S 485497	A46631	TROS 370024A	A46815	TROS 9613S	A46874S	L&S 7537S
A46531S	TROS 417355	A46631S	L&S 6864S	A46815S	L&S 9613S	A46875S	L&S 3095
A46531S	TROS 485497	A46633S	TROS 370005A	A46815S	TROS 9613S	A46875S	TROS 3095
A46533	TROS 6703S	A46634S	L&S 6872S	A46816S	L&S 7038SA	A46876R	L&S 7581H
A46533S	TROS 6703S	A46634S	TROS 370027A	A46816S	TROS 7038SA	A46876R	TROS 7581H
A46537	TROS 205004	A46636S	TROS 473234	A46818	L&S 7044NA	A46877	L&S 7607
A46538P	L&S 6712NA	A46637S	L&S 8160S	A46818P	L&S 7044NA	A46877	TROS 7607
A46538S	TROS 6712NA	A46637S	TROS 8160S	A46818S	TROS 7044NA	A46878S	L&S 9150S
A46547S	L&S 412473	A46638S	L&S 450066	A46820S	L&S 3103	A46878S	TROS 9150S
A46547S	L&S 415894	A46638S	L&S 473367	A46820S	TROS 3103	A46879S	TROS 7700S
A46547S	TROS 412473	A46638S	TROS 450066	A46821	TROS 330663	A46882	L&S 5113
A46547S	TROS 415894	A46638S	TROS 473367	A46821	TROS 472354	A46882	TROS 5113
A46549	L&S 370022A	A46639R	L&S 6879H	A46821S	L&S 330663	A46883S	TROS 471652
A46549	TROS 370022A	A46639R	TROS 6879H	A46821S	L&S 472354	A46884R	L&S 7751H
A46549	TROS 380022A	A46640S	L&S 473235	A46826S	TROS 200110	A46884R	TROS 7751H
A46550S	TROS 6759S	A46640S	TROS 473235	A46831S	L&S 370018A	A46886S	L&S 473231
A46551S	TROS 6760S	A46647S	TROS 415449	A46831S	TROS 370018A	A46886S	TROS 473231
A46553S	L&S 311189	A46650S	L&S 6906S	A46832S	TROS 7186S	A46890S	L&S 6241S
A46553S	TROS 311189	A46650S	TROS 6906S	A46833S	L&S 7188S	A46890S	TROS 6241S
A46558	L&S 6781	A46657	L&S 6930	A46833S	TROS 7188S	A46891	L&S 7780N
A46558	TROS 6781	A46657	TROS 6930	A46834	L&S 5126	A46891	TROS 7780N
A46560	L&S 6785	A46658	TROS 9568	A46834	TROS 5126	A46892S	L&S 7781S
A46560	TROS 6785	A46659S	L&S 6949S	A46835	L&S 7216	A46892S	TROS 471750
A46562S	L&S 6638S	A46659S	TROS 6949S	A46835	TROS 7216	A46893P	L&S 2692
A46562S	TROS 370001A	A46663	L&S 44052	A46837S	L&S 471344	A46893S	TROS 2692
A46562S	TROS 380001A	A46663	TROS 44052	A46837S	TROS 471344	A46894P	TROS 471193N
A46563S	L&S 471570	A46664	L&S 6954S	A46843	TROS 8516N	A46895S	TROS 473228
A46563S	TROS 471570	A46664	TROS 6954S	A46843S	L&S 8516N	A46896	L&S 7834

INTERCHANGE SECTION

COMPETITIVE INTERCHANGES

Mfr No.	Mfr.	National	Mfr No.	Mfr.	National	Mfr No.	Mfr.	National	Mfr No.	Mfr.	National
A46896	TROS	7834	A48018	TROS	473464	A4813	MUSAS	710315	A49023S	TROS	415379
A46897S	L&S	7840S	A48020	TROS	412119	A4814	MUSAS	1147	A49024	TROS	417205
A46897S	TROS	7840S	A48022	L&S	8650S	A4818	MUSAS	710097	A49026S	TROS	415192N
A46899S	L&S	7866S	A48022	TROS	8650S	A4819	MUSAS	222743	A49027	TROS	416556
A46899S	TROS	370007A	A48023	L&S	471224	A4823	MUSAS	223580	A49027	TROS	472157
A46900S	L&S	7886S	A48023	TROS	471224	A4824	MUSAS	710332	A49029S	TROS	416154
A46900S	TROS	7886S	A48024S	L&S	472409	A4825	MUSAS	710337	A49030	TROS	417247
A46901S	L&S	470064	A48024S	TROS	472409	A4826	MUSAS	710148	A49030S	L&S	417247
A46901S	L&S	471821	A48025	TROS	472826	A4827	MUSAS	1936	A49030S	TROS	417247
A46901S	TROS	470064	A48026	L&S	412920	A4829	MUSAS	239146	A49032	L&S	416706
A46901S	TROS	471821	A48026	TROS	412920	A4830	MUSAS	222742	A49032S	TROS	416706
A46902S	L&S	7929S	A48027	TROS	471192	A4831	MUSAS	710331	A49033S	TROS	417349
A46902S	TROS	7929S	A48028S	TROS	470625	A4836	MUSAS	473367	A49034	L&S	415991
A46903	L&S	7934S	A48029	TROS	470954	A4844	MUSAS	710399	A49034	TROS	415991
A46903	TROS	7934S	A4803	MUSAS	223520	A4845	MUSAS	222830	A49034S	TROS	415991
A46904S	L&S	7937N	A48031	L&S	472287	A4848	MUSAS	1036	A49035S	TROS	415379
A46904S	TROS	7937N	A48031	TROS	472287	A4849	MUSAS	224045	A49036	TROS	417492
A46905S	L&S	474278	A48035	TROS	471763	A4850	MUSAS	320595	A49039	TROS	415656
A46905S	TROS	474278	A48036	TROS	471765	A4852	MUSAS	223553	A49040S	TROS	417352
A46908S	TROS	7399S	A48037S	L&S	410163	A4854	MUSAS	3459	A49040S	TROS	418028
A47002S	L&S	8059S	A48037S	L&S	471766	A4855	MUSAS	712008	A49042S	TROS	415899N
A47002S	TROS	8059S	A48037S	TROS	410163	A4857	MUSAS	228015	A49042S	TROS	416624N
A47004	TROS	8610	A48037S	TROS	471766	A4858	MUSAS	710598	A50085	CASE	470898
A47005	L&S	8121S	A48038	TROS	471801	A4859	MUSAS	710460	A50097	CASE	415836N
A47005	TROS	8121S	A48039S	TROS	473016	A4860	MUSAS	350609	A5013	DANMA	417487
A47005S	TROS	8121S	A4804	MUSAS	1943	A4861	MUSAS	1147	A5013	DANMA	455086
A47006S	L&S	8133S	A48042	L&S	472179	A4863	MUSAS	710332	A50420	CASE	476535
A47006S	TROS	8133S	A48042	TROS	472179	A4864	MUSAS	710300	A50422	CASE	417344
A47007	L&S	8139	A48045	TROS	471649	A4865	MUSAS	224066	A50423	CASE	471689
A47007	TROS	8139	A48047	TROS	470712	A4866	MUSAS	224053	A50424	CASE	470898
A47010	TROS	472070	A48049	TROS	473466	A4867	MUSAS	712009	A50594	TROS	5872S
A47011	L&S	8243	A48051	TROS	473235	A4869	MUSAS	223010	A50626	FAIRB	471567
A47011	TROS	8243	A48055S	TROS	410308	A49001	TROS	415458	A50981	FAIRB	470163
A47012	TROS	8724S	A48056	TROS	471391	A49001	TROS	475458	A50981	FAIRB	471766
A47013S	L&S	8293S	A48057	TROS	473245	A49002	TROS	415004	A50981A	FAIRB	470163
A47013S	TROS	8293S	A48058	TROS	472636	A49002	TROS	417316	A50981A	FAIRB	471766
A47015S	TROS	8370S	A48059	L&S	412040	A49003	L&S	417344	A51000	TROS	471264
A47016S	L&S	8421S	A48059	TROS	412040	A49003	TROS	417344	A51002	TROS	473215
A47016S	TROS	8421S	A48061	L&S	472164	A49004	TROS	415960	A51003	TROS	470380
A48002	TROS	471526	A48061	TROS	472164	A49004S	TROS	415009	A51004	L&S	473228
A48004	TROS	471750	A48067S	L&S	410496	A49004S	TROS	415960	A51004	TROS	473228
A48005	TROS	473215	A48067S	TROS	410496	A49006	L&S	415013	A51007S	TROS	470334
A48006	L&S	410059	A48069	TROS	471689	A49006	L&S	415995	A51010	TROS	410085
A48006	L&S	470380	A4807	MUSAS	494117	A49006	TROS	415013	A51010	TROS	470530
A48006	TROS	410059	A48072S	TROS	410119	A49006	TROS	415995	A51012	TROS	471192
A48006	TROS	470380	A48072S	TROS	471442	A49006S	TROS	415013	A51013	TROS	470954
A48006S	L&S	410059	A48074S	L&S	8160S	A49006S	TROS	415995	A51014	L&S	473460
A48006S	L&S	470380	A48074S	TROS	471827	A49010	L&S	476470	A51014	TROS	473460
A48006S	TROS	410059	A48076S	TROS	410708	A49010	TROS	476470	A51015	L&S	471760
A48006S	TROS	470380	A48077S	TROS	471984	A49011	TROS	415023	A51015	TROS	471760
A48008	TROS	470062	A48078	TROS	471829	A49014	TROS	415036	A51016	TROS	471763
A48008	TROS	474264	A48081S	L&S	471344	A49015	TROS	416891	A51017	TROS	471765
A48011	TROS	473228	A48081S	TROS	471344	A49017S	L&S	416271	A51019	TROS	472397
A48011S	L&S	473228	A48085S	L&S	415304	A49017S	TROS	416271	A51021	L&S	472258
A48012	L&S	472185	A48085S	L&S	476470	A49018	TROS	415147	A51021	TROS	472258
A48012	TROS	472185	A48085S	TROS	415304	A49018	TROS	415449	A51023	TROS	471267
A48013S	TROS	472439	A48085S	TROS	476470	A49018S	L&S	415147	A51026	TROS	417316
A48014	TROS	472924	A4809	MUSAS	710336	A49018S	L&S	415449	A51027	L&S	416921
A48016	TROS	410085	A4810	MUSAS	4901	A49019	TROS	417343	A51027	TROS	416921
A48016	TROS	470530	A4812	MUSAS	222540	A49021	TROS	417351	A51031	TROS	415072

INTERCHANGE SECTION

COMPETITIVE INTERCHANGES



Mfr No.	Mfr. National	Mfr No.	Mfr. National	Mfr No.	Mfr. National	Mfr No.	Mfr. National
A51032	HENRY 40401	A52037	TROS 471271	A52091	TROS 416394	A53084	L&S 40389S
A51033	TROS 416229	A52039S	TROS 470565	A52236	TROS 417488	A53084	TROS 40389S
A51035S	TROS 415147	A52040	TROS 450666	A5257	CATER 5751	A53085	TROS 40395
A51035S	TROS 415449	A52042	TROS 415001	A5257	TMTR 5751	A53085	TROS 40395S
A51036	TROS 416011	A52043	TROS 415003	A5287	TW-DI 415027	A53086	TROS 417267
A51036	TROS 417621	A52043	TROS 415458	A5287	TW-DI 455027	A53088	L&S 40401
A51037	TROS 417181	A52044	TROS 417316	A53003	TROS 41264S	A53088S	TROS 40401
A51039	L&S 415991	A52044S	TROS 417316	A53008	L&S 40027S	A53089	L&S 42763
A51039	L&S 415991N	A52046	TROS 475009N	A53008	TROS 40027S	A53089	TROS 42763
A51039	TROS 415991	A52046P	L&S 475009N	A53011	TROS 473213	A53091	L&S 40410S
A51039	TROS 415991N	A52047	TROS 416921	A53012	L&S 43089S	A53091	TROS 40410S
A51041	TROS 417191	A52048P	L&S 475012N	A53012	TROS 43089S	A53091S	L&S 40410S
A51748	FAIRB 471787	A52048S	TROS 475012N	A53013	L&S 40059S	A53092	L&S 351487
A51749	GMC 410102	A52049S	L&S 415836	A53013	TROS 40059S	A53092	TROS 351487
A51765	FAIRB 473205	A52049S	L&S 415995	A53015	TROS 7886S	A53093S	L&S 40433S
A51948	CASE 473490	A52049S	TROS 415836	A53016	L&S 471821	A53093S	TROS 40433S
A51977	TROS 473238	A52049S	TROS 415995	A53016	TROS 471821	A53095	L&S 40438S
A51994	GMC 415021	A52050S	TROS 415016N	A53019	TROS 472185	A53095	TROS 40438S
A52000	TROS 471466	A52052S	TROS 415304	A53020	L&S 40071S	A53097	L&S 40468
A52001	TROS 471554	A52052S	TROS 476470	A53020	TROS 40071S	A53097	TROS 40468
A52002	L&S 473215	A52054	TROS 415035	A53025	TROS 40101S	A53098	TROS 40494S
A52002	TROS 473215	A52055	L&S 415371	A53025S	L&S 40101S	A53100	L&S 442380
A52003	TROS 470380	A52055	TROS 415371	A53028	L&S 42421S	A53100	TROS 442380
A52005	TROS 471419	A52057	L&S 416865	A53028	TROS 42421S	A53101	L&S 40520S
A52005	TROS 473367	A52057	TROS 416865	A53029	TROS 240119	A53101	TROS 40520S
A52005S	L&S 471419	A52057S	TROS 416865	A53029S	L&S 240119	A53104S	L&S 40555
A52005S	L&S 473367	A52058	TROS 416476	A53032	L&S 40140S	A53104S	L&S 40555S
A52006	L&S 473228	A52059	TROS 416239	A53032	TROS 40140S	A53104S	TROS 40555
A52006	TROS 473228	A52059S	L&S 416239	A53032S	L&S 40140S	A53104S	TROS 40555S
A52007	TROS 473228	A52061S	TROS 416271	A53032S	TROS 40140S	A53105	TROS 471821
A52008	TROS 472185	A52062	TROS 476283N	A53037	L&S 40154S	A53106	L&S 40576S
A52009	TROS 471466	A52062S	TROS 476283N	A53040	L&S 40157S	A53106	TROS 40566S
A52010	TROS 472924	A52063S	TROS 417563	A53040	TROS 40157S	A53106S	L&S 40566S
A52012	TROS 410085	A52064	L&S 417602	A53043	L&S 40652S	A53107	L&S 40568S
A52012	TROS 470530	A52064	TROS 417602	A53043S	L&S 40652S	A53107	TROS 40568S
A52014	L&S 411253	A52066	TROS 415137	A53045	TROS 40169S	A53107S	L&S 40568S
A52014	TROS 411253	A52066	TROS 418028	A53047	TROS 471571	A53108	L&S 40576S
A52015	TROS 410101N	A52066S	L&S 415137	A53055	L&S 40208	A53108	TROS 40576S
A52015P	L&S 410101N	A52066S	L&S 418028	A53055	TROS 40208	A53113	TROS 340469
A52016	TROS 471192	A52066S	TROS 415137	A53058	L&S 471647	A53119	L&S 40769S
A52019S	TROS 410163	A52066S	TROS 418028	A53058	TROS 471647	A53119	TROS 40769S
A52019S	TROS 471766	A52067S	TROS 415146	A53061	L&S 40230S	A53119S	L&S 40769S
A52022S	L&S 410183N	A52067S	TROS 415991	A53061	TROS 40230S	A53121S	TROS 6815
A52022S	TROS 410183N	A52068	TROS 415147	A53063	TROS 41787S	A53122	TROS 340787
A52023	L&S 473179	A52068	TROS 415449	A53064	L&S 40286	A53126	L&S 40973S
A52023	TROS 473179	A52069	TROS 417343	A53064	TROS 40286	A53126	TROS 40973S
A52024	L&S 472394	A52070	TROS 5578	A53066	TROS 40301S	A53126S	L&S 40973S
A52024	TROS 472394	A52071	TROS 417171	A53066S	L&S 40301S	A53128	TROS 41013S
A52025	TROS 472397	A52072	L&S 417181	A53067	L&S 40316S	A53131	L&S 41075S
A52027	L&S 470308N	A52072	TROS 417181	A53067	TROS 40316S	A53131	TROS 41075S
A52027	TROS 470308N	A52073	TROS 412473	A53067S	L&S 40316S	A53134	L&S 41257
A52029S	TROS 410316	A52073	TROS 415894	A53068	L&S 240319	A53136P	L&S 416071
A52029S	TROS 472636	A52076	TROS 415272N	A53068	TROS 240319	A53136P	TROS 416071
A52030	TROS 472164	A52078	TROS 415272N	A53072	L&S 40337S	A53138	L&S 46997S
A52031	TROS 473448	A52079	TROS 417484N	A53072	TROS 40337S	A53138	TROS 46997S
A52032	TROS 470898	A52079	TROS 475322N	A53076	TROS 40410S	A53139	TROS 43086S
A52034	TROS 472492	A52081S	TROS 417159	A53078	L&S 40370S	A53140S	L&S 45013S
A52035	L&S 473227	A52086	TROS 475380N	A53078	TROS 40370S	A53140S	TROS 45013S
A52035	TROS 473227	A52087	L&S 415437	A53081	L&S 40382	A53145	L&S 45187S
A52037	TROS 410519	A52087	TROS 415437	A53081	TROS 40382	A53145	TROS 45187S

INTERCHANGE SECTION

COMPETITIVE INTERCHANGES

Mfr No.	Mfr.	National	Mfr No.	Mfr.	National	Mfr No.	Mfr.	National	Mfr No.	Mfr.	National
A53147	TROS	45031S	A54035	TROS	473412	A54069	TROS	471821	A54089S	L&S	472924
A53150	TROS	45653S	A54037	L&S	473415	A54069S	L&S	470064	A54091	TROS	450084
A53151	TROS	45825S	A54037	TROS	473415	A54069S	L&S	471821	A54091S	L&S	450084
A53151S	L&S	45825S	A54038	TROS	471137	A54070	TROS	473232	A54091S	TROS	450084
A53152	TROS	45827S	A54038S	L&S	471137	A54071	L&S	450066	A54092	TROS	450084
A53152S	L&S	45827S	A54039	L&S	450038	A54071	L&S	473367	A54093	TROS	450085
A53153S	TROS	410183N	A54039	TROS	450038	A54071	TROS	450066	A54093	TROS	470530
A53155S	L&S	40494S	A54040	TROS	450039	A54071	TROS	473367	A54093S	L&S	450085
A53155S	TROS	40494S	A54040S	L&S	450039	A54071S	L&S	450066	A54093S	L&S	470530
A53156S	TROS	473445	A54041	TROS	450040	A54071S	L&S	473367	A54094	TROS	470086
A53159	L&S	45525S	A54041S	TROS	450040	A54071S	TROS	450066	A54094S	L&S	470086
A53159	TROS	45525S	A54043	TROS	450593	A54071S	TROS	473367	A54095	TROS	473313
A54002	L&S	474277	A54043S	L&S	450593	A54072	TROS	450067	A54095S	L&S	473313
A54002	TROS	474277	A54043S	TROS	450593	A54072	TROS	473228	A54096	TROS	470088
A54003	L&S	470004	A54045	TROS	450043	A54072S	TROS	450067	A54096S	L&S	470088
A54003	TROS	470004	A54045	TROS	473419	A54072S	TROS	473228	A54096S	TROS	470088
A54005S	TROS	471530	A54046	L&S	450044	A54073	TROS	450068	A54097	L&S	450089
A54006	L&S	471281	A54046	TROS	450044	A54074	TROS	450069	A54097	TROS	450089
A54006	TROS	471281	A54047	TROS	470045	A54074	TROS	473232	A54098	TROS	450090
A54006S	L&S	471281	A54047	TROS	476838	A54074S	L&S	450069	A54100	L&S	473458
A54007	TROS	471532	A54047S	L&S	470045	A54074S	L&S	473232	A54100	TROS	473458
A54007S	L&S	471532	A54047S	L&S	476838	A54075	TROS	472185	A54102	L&S	450094
A54007S	TROS	471532	A54049	TROS	473428	A54075S	L&S	472185	A54102	L&S	473462
A54008	TROS	471466	A54050	L&S	473426	A54075S	TROS	472185	A54102	TROS	450094
A54008S	L&S	471466	A54050	TROS	473426	A54077	TROS	472439	A54102	TROS	473462
A54008S	TROS	471466	A54051	L&S	450048	A54077S	L&S	472439	A54103	TROS	450095
A54013	TROS	471472	A54051	TROS	450048	A54078	TROS	481864	A54103	TROS	473464
A54013S	L&S	471472	A54052	TROS	471750	A54078S	L&S	481864	A54103S	L&S	450095
A54013S	TROS	471472	A54052S	L&S	471750	A54078S	TROS	481864	A54103S	L&S	473464
A54015S	L&S	471535	A54053	TROS	470050	A54079	L&S	450073	A54104	L&S	5126
A54015S	TROS	471535	A54054	TROS	473427	A54079S	TROS	450073	A54104	TROS	416738
A54016	TROS	473405	A54055	TROS	471354	A54080	L&S	470074	A54104	TROS	450096
A54016S	L&S	473405	A54055S	L&S	471354	A54080	L&S	474265	A54104S	L&S	416738
A54016S	TROS	473405	A54055S	TROS	471354	A54080	TROS	470074	A54104S	L&S	450096
A54018	TROS	471549	A54056	TROS	473213	A54080	TROS	474265	A54105	L&S	413469
A54018S	L&S	471549	A54057	L&S	450054	A54082	TROS	450076	A54105	TROS	413469
A54020S	TROS	471551	A54057	TROS	450054	A54082	TROS	470334	A54106	L&S	412943
A54021	TROS	471558	A54058	TROS	473215	A54082S	L&S	450076	A54106	TROS	412943
A54022	TROS	471255	A54058S	TROS	473215	A54082S	L&S	470334	A54107	TROS	411253
A54022S	L&S	471255	A54060	TROS	473225	A54083	TROS	470077	A54107	TROS	450099
A54022S	TROS	471255	A54060S	L&S	473225	A54083	TROS	474281	A54107S	L&S	411253
A54023	TROS	471255	A54061	L&S	473438	A54083S	L&S	470077	A54107S	L&S	450099
A54024	TROS	450025	A54061	TROS	473438	A54083S	L&S	474281	A54108	TROS	410694
A54024	TROS	471553	A54062	TROS	470059	A54084	L&S	450078	A54108S	L&S	410694
A54024S	L&S	450025	A54062	TROS	470380	A54084	L&S	473444	A54109	TROS	412119
A54024S	L&S	471553	A54062S	L&S	470059	A54084	TROS	450078	A54109	TROS	450101
A54027	L&S	471567	A54062S	L&S	470380	A54084	TROS	473444	A54109S	L&S	412119
A54027	TROS	471567	A54062S	TROS	470059	A54086	TROS	473446	A54109S	L&S	450101
A54027S	L&S	471567	A54062S	TROS	470380	A54086S	L&S	473446	A54111	L&S	410102
A54027S	TROS	471567	A54066	TROS	470950	A54087	L&S	50081	A54111	TROS	410102
A54029	TROS	481568	A54066	TROS	6241S	A54087	TROS	50081	A54112	L&S	410686N
A54029S	TROS	481568	A54066S	L&S	470950	A54088	L&S	450082	A54112	TROS	410686N
A54030	L&S	450030	A54066S	L&S	6241S	A54088	L&S	473238	A54112S	L&S	410987
A54030	L&S	474253	A54067	TROS	470062	A54088	TROS	450082	A54112S	L&S	450103
A54030	TROS	450030	A54067	TROS	474264	A54088	TROS	473238	A54113	L&S	450104
A54030	TROS	474253	A54067S	L&S	470062	A54088S	L&S	450082	A54113	TROS	450104
A54031	TROS	473414	A54067S	L&S	474264	A54088S	L&S	473238	A54114	TROS	414045
A54032	TROS	471570	A54068	L&S	471820	A54089	TROS	450083	A54116	L&S	473471
A54032S	TROS	471570	A54068	TROS	471820	A54089	TROS	472924	A54116	TROS	473471
A54034	TROS	474273	A54069	TROS	470064	A54089S	L&S	450083	A54118	TROS	473441

INTERCHANGE SECTION

COMPETITIVE INTERCHANGES



Mfr No.	Mfr. National	Mfr No.	Mfr. National	Mfr No.	Mfr. National	Mfr No.	Mfr. National
A54118S	L&S 473441	A54146	L&S 472234	A54180	TROS 473214	A54212	TROS 6863S
A54120	L&S 450111	A54146	TROS 472234	A54180S	L&S 470169	A54212S	L&S 6863S
A54120	TROS 450111	A54150	L&S 450143	A54180S	L&S 473214	A54212S	TROS 6863S
A54123	TROS 450115	A54150	TROS 450143	A54182	TROS 473016	A54214	L&S 320457
A54123	TROS 473467	A54151	TROS 473226	A54182S	L&S 473016	A54214	TROS 320457
A54123S	L&S 450115	A54151S	L&S 473226	A54182S	TROS 473016	A54216	TROS 472705
A54123S	L&S 473467	A54152	L&S 473460	A54184	L&S 450173	A54216S	L&S 472705
A54125	L&S 473450	A54152	TROS 473460	A54184	TROS 450173	A54216S	TROS 472705
A54125	TROS 473450	A54154	TROS 450147	A54184S	L&S 450173	A54217	TROS 481443
A54126	TROS 450117	A54155	L&S 473463	A54186	TROS 450177	A54217S	L&S 481443
A54126	TROS 472572	A54155	TROS 473463	A54188	TROS 450177	A54217S	TROS 481443
A54126S	L&S 450117	A54156	TROS 40769S	A54190	L&S 473421	A54218	TROS 471231
A54126S	L&S 472572	A54157	TROS 471750	A54190	TROS 473421	A54218S	L&S 471231
A54126S	TROS 450117	A54159	L&S 472560N	A54192	TROS 471747	A54218S	TROS 471231
A54126S	TROS 472572	A54159	L&S 50151S	A54192	TROS 472674	A54219	L&S 471579
A54127	L&S 450118	A54159	TROS 472560N	A54192S	L&S 471747	A54219	TROS 471579
A54127	L&S 473449	A54159	TROS 50151S	A54192S	L&S 472674	A54222	TROS 451583
A54127	TROS 450118	A54159S	L&S 472560N	A54193	TROS 450183	A54222S	L&S 451583
A54127	TROS 473449	A54159S	L&S 50151S	A54193	TROS 472179	A54222S	TROS 451583
A54128	TROS 471442	A54159S	TROS 472560N	A54193S	L&S 450183	A54224	L&S 480210
A54128S	TROS 471442	A54159S	TROS 50151S	A54193S	L&S 472179	A54224	TROS 480210
A54130	TROS 470120	A54160	TROS 473205	A54193S	TROS 450183	A54227	L&S 471645
A54130	TROS 471224	A54160S	L&S 473205	A54193S	TROS 472179	A54227	TROS 471645
A54132	L&S 450121	A54162	L&S 472287	A54195	L&S 471571	A54228	TROS 473414
A54132	L&S 472409	A54162	TROS 472287	A54195	TROS 471571	A54229	TROS 471646
A54132	TROS 450121	A54163	TROS 450154	A54196	TROS 450185	A54229S	L&S 471646
A54132	TROS 472409	A54163	TROS 473234	A54196	TROS 473229	A54229S	TROS 471646
A54132S	TROS 450121	A54164	L&S 473447	A54197	L&S 473236	A54231S	L&S 471647
A54132S	TROS 472409	A54164	TROS 473447	A54197	TROS 473236	A54231S	TROS 471647
A54133	L&S 473437	A54165	L&S 350156	A54198	L&S 453165	A54232	TROS 471648
A54133	TROS 473437	A54165	L&S 473096	A54198	L&S 471619	A54232S	L&S 471648
A54135	L&S 50126	A54165	TROS 350156	A54198	TROS 453165	A54233	TROS 470219
A54135	TROS 50126	A54165	TROS 473096	A54198	TROS 471619	A54233	TROS 471649
A54136	TROS 471735	A54166	TROS 471760	A54200	L&S 450188	A54233S	L&S 470219
A54136S	L&S 471735	A54166S	L&S 471760	A54200	TROS 450188	A54233S	L&S 471649
A54138S	L&S 472826	A54166S	TROS 471760	A54201	TROS 470189	A54233S	TROS 470219
A54138S	TROS 472826	A54167	TROS 471762	A54201	TROS 471692	A54233S	TROS 471649
A54139	L&S 412920	A54167S	L&S 471762	A54201S	L&S 470189	A54234	TROS 481650
A54139	L&S 450132	A54168	TROS 450159	A54201S	L&S 471692	A54235	TROS 471651
A54139	TROS 412920	A54169	TROS 471763	A54201S	TROS 470189	A54235S	L&S 471651
A54139	TROS 450132	A54169S	L&S 471763	A54201S	TROS 471692	A54236	TROS 471684
A54141	L&S 450133	A54170	TROS 450161	A54202	L&S 410190	A54236	TROS 471698
A54141	TROS 450133	A54170	TROS 471764	A54202	TROS 410190	A54236S	L&S 471684
A54142	TROS 471192	A54170S	L&S 450161	A54204	L&S 473473	A54236S	L&S 471698
A54142S	L&S 471192	A54170S	L&S 471764	A54204	TROS 473473	A54236S	TROS 471684
A54142S	TROS 471192	A54171	TROS 471765	A54206	TROS 450194	A54236S	TROS 471698
A54143	L&S 470548	A54171S	L&S 471765	A54206	TROS 473010	A54238	TROS 471686
A54143	L&S 470625	A54173	TROS 470163	A54206S	L&S 450194	A54240	TROS 470590
A54143	TROS 470548	A54173	TROS 471766	A54206S	L&S 473010	A54240S	L&S 470590
A54143	TROS 470625	A54173S	L&S 470163	A54206S	TROS 450194	A54242	TROS 472951
A54143S	TROS 470548	A54173S	L&S 471766	A54206S	TROS 473010	A54242	TROS 474252
A54143S	TROS 470625	A54173S	TROS 470163	A54209	L&S 471103	A54242S	L&S 472951
A54144	L&S 471529	A54173S	TROS 471766	A54209	L&S 50197S	A54242S	L&S 474252
A54144	TROS 471529	A54175	L&S 473424	A54209	TROS 471103	A54243	TROS 471688
A54145	TROS 471869	A54175	TROS 473424	A54209	TROS 50197S	A54243S	L&S 471688
A54145	TROS 473459	A54176	L&S 471801	A54209S	L&S 471103	A54244	TROS 471689
A54145S	L&S 471869	A54176	TROS 471801	A54209S	L&S 50197S	A54244S	L&S 471689
A54145S	L&S 473459	A54178	L&S 473212	A54209S	TROS 471103	A54244S	TROS 471689
A54145S	TROS 471869	A54178	TROS 473212	A54209S	TROS 50197S	A54248	TROS 471705
A54145S	TROS 473459	A54180	TROS 470169	A54212	L&S 6863S	A54248S	L&S 471705

INTERCHANGE SECTION

COMPETITIVE INTERCHANGES

Mfr No.	Mfr.	National	Mfr No.	Mfr.	National	Mfr No.	Mfr.	National	Mfr No.	Mfr.	National
A54249	L&S	471733	A54302	TROS	471141	A54328	TROS	411394	A54356S	L&S	472164
A54249	TROS	471733	A54302S	L&S	450291	A54328	TROS	450317	A54358	TROS	470354
A54253	TROS	470712	A54302S	L&S	471141	A54330	TROS	481163	A54358S	L&S	470354
A54253S	L&S	470712	A54302S	TROS	450291	A54331	TROS	473475	A54359	TROS	471538
A54253S	TROS	470712	A54302S	TROS	471141	A54331S	L&S	473475	A54359S	L&S	471538
A54254	L&S	471744	A54304	L&S	473453	A54332	TROS	412040	A54360	L&S	474278
A54254	TROS	471744	A54304	TROS	473453	A54332S	L&S	412040	A54360	L&S	480356
A54255	TROS	450342	A54306	TROS	472144	A54332S	TROS	412040	A54360	TROS	474278
A54257	TROS	471785	A54306S	L&S	472144	A54333	L&S	472029	A54360	TROS	480356
A54257S	L&S	471785	A54309	TROS	450298	A54333	TROS	472029	A54362	TROS	470358
A54257S	TROS	471785	A54309	TROS	473239	A54334	TROS	413478	A54362	TROS	473231
A54260	TROS	471787	A54309S	L&S	450298	A54334S	L&S	413478	A54362S	L&S	470358
A54260S	L&S	471787	A54309S	L&S	473239	A54336	L&S	450326	A54362S	L&S	473231
A54261	TROS	471795	A54311	TROS	472394	A54336	TROS	450326	A54362S	TROS	470358
A54261S	L&S	471795	A54311S	L&S	472394	A54337	TROS	50327	A54362S	TROS	473231
A54264	TROS	473211	A54311S	TROS	472394	A54338	L&S	470328	A54363	TROS	473448
A54265S	L&S	473436	A54312	TROS	450301	A54338	L&S	481213	A54363S	L&S	473448
A54265S	TROS	473436	A54312	TROS	472397	A54338	TROS	470328	A54364	TROS	471870
A54269S	L&S	473439	A54312S	L&S	450301	A54338	TROS	481213	A54364	TROS	471883
A54269S	TROS	473439	A54312S	L&S	472397	A54339	TROS	412871	A54364S	L&S	471870
A54272	L&S	482253	A54312S	TROS	450301	A54339	TROS	450329	A54364S	L&S	471883
A54272	TROS	482253	A54312S	TROS	472397	A54339S	L&S	412871	A54365	TROS	450361
A54273	TROS	450260	A54313	TROS	472012	A54339S	L&S	450329	A54365	TROS	472193
A54274S	L&S	473466	A54313S	L&S	472012	A54340	L&S	470605	A54365S	L&S	450361
A54274S	TROS	473466	A54313S	TROS	472012	A54340	TROS	470605	A54365S	L&S	472193
A54275	TROS	470682	A54314	L&S	472015	A54340S	L&S	470605	A54366	TROS	450362
A54275S	L&S	470682	A54314	TROS	472015	A54342	L&S	450332	A54366S	L&S	450362
A54275S	TROS	470682	A54314S	L&S	472015	A54342	TROS	450332	A54368	TROS	350364
A54276	L&S	451469	A54314S	TROS	472015	A54343	TROS	470334	A54369	TROS	450365
A54276	TROS	451469	A54315	TROS	473457	A54343S	L&S	470334	A54369	TROS	470898
A54278	TROS	473235	A54317	L&S	473461	A54344	TROS	450335	A54374	TROS	451948
A54279	L&S	50266	A54317	TROS	473461	A54345	L&S	474255	A54374S	L&S	451948
A54279	TROS	50266	A54318	L&S	450307	A54345	TROS	474255	A54375	TROS	411500
A54280	TROS	472070	A54318	TROS	450307	A54346	L&S	450339	A54376	TROS	69365
A54281	L&S	473451	A54319	TROS	410308	A54346	TROS	450339	A54376S	L&S	9845
A54281	TROS	473451	A54319	TROS	450308	A54347	TROS	450340	A54378	TROS	471652
A54282	L&S	450269	A54319S	L&S	410308	A54348	L&S	450341	A54379	TROS	474276
A54282	TROS	450269	A54319S	L&S	450308	A54348	TROS	450341	A54379S	L&S	474276
A54283	L&S	471866	A54319S	TROS	410308	A54349	L&S	450343	A54380	L&S	330385
A54283	TROS	471866	A54319S	TROS	450308	A54349	TROS	450343	A54380	TROS	330385
A54285	TROS	471868	A54320	L&S	471391	A54350	TROS	473425	A54382	TROS	450389
A54285S	L&S	471868	A54320	TROS	471391	A54352	L&S	472432	A54382	TROS	472492
A54286	L&S	450273	A54321	L&S	473242	A54352	L&S	474256	A54382S	L&S	450389
A54286	TROS	450273	A54321	TROS	473242	A54352	TROS	470347	A54382S	L&S	472492
A54287	L&S	450274	A54322	TROS	450311	A54352	TROS	474254	A54384	TROS	473407
A54287	TROS	450274	A54322S	L&S	450311	A54352S	L&S	470347	A54385	TROS	473227
A54288	TROS	450275	A54323	TROS	410312N	A54352S	L&S	474254	A54385S	L&S	473227
A54288S	L&S	450275	A54323S	L&S	410312N	A54354	TROS	413247	A54385S	TROS	473227
A54291	TROS	450279	A54324	L&S	450313	A54354	TROS	450350	A54386	L&S	472354
A54292	TROS	471866	A54324	TROS	450313	A54354S	L&S	413247	A54386	L&S	50395S
A54292S	L&S	450280	A54325	TROS	473243	A54354S	L&S	450350	A54386	TROS	472354
A54293	TROS	473179	A54325S	TROS	473243	A54355	TROS	470351	A54386	TROS	50395S
A54295	TROS	473179	A54326	L&S	473245	A54355	TROS	471504	A54388	L&S	471267
A54297	L&S	450285	A54326	TROS	473245	A54355S	L&S	470351	A54388	TROS	471267
A54297	TROS	450285	A54327	TROS	450316	A54355S	L&S	471504	A54389	TROS	450400
A54298	L&S	474274	A54327	TROS	472636	A54355S	TROS	470351	A54389S	L&S	450400
A54298	TROS	474274	A54327S	L&S	450316	A54355S	TROS	471504	A54390	TROS	352541
A54301	TROS	470334	A54327S	L&S	472636	A54356	TROS	450352	A54392	TROS	470403
A54301	TROS	50289	A54328	L&S	411394	A54356	TROS	472164	A54392	TROS	470774
A54302	TROS	450291	A54328	L&S	450317	A54356S	L&S	450352	A54392S	L&S	470403

INTERCHANGE SECTION

COMPETITIVE INTERCHANGES



Mfr No.	Mfr. National	Mfr No.	Mfr. National	Mfr No.	Mfr. National	Mfr No.	Mfr. National
A54392S	L&S 470774	A54432	L&S 450461	A54483	TROS 471272	A54511S	L&S 470567
A54392S	TROS 470403	A54432	L&S 473440	A54483S	L&S 410520	A54511S	L&S 471267
A54392S	TROS 470774	A54432	TROS 473440	A54483S	L&S 471272	A54511S	TROS 471267
A54394	TROS 50405	A54434	L&S 450463	A54483S	TROS 410520	A54513	TROS 472258
A54396	L&S 470409	A54434	TROS 450463	A54483S	TROS 471272	A54514	TROS 412027
A54396	TROS 470409	A54438	L&S 450467	A54484	L&S 473423	A54514S	L&S 412027
A54397	TROS 471424	A54438	TROS 450467	A54484	TROS 473423	A54515	TROS 413246
A54399	TROS 450412	A54439	L&S 50468	A54484S	TROS 473423	A54515	TROS 413246N
A54399S	L&S 450412	A54439	TROS 50468	A54485	TROS 472258	A54515S	L&S 413246
A54400	L&S 353132	A54440	TROS 481537	A54485S	L&S 472258	A54515S	L&S 413246N
A54400	TROS 353132	A54440S	L&S 481537	A54485S	TROS 472258	A54516	TROS 471498
A54401	L&S 350414	A54441	TROS 472810	A54486	L&S 450523	A54516S	L&S 471498
A54401	L&S 472311	A54441S	L&S 472810	A54486	TROS 450523	A54518	TROS 450588
A54401	TROS 350414	A54441S	TROS 472810	A54487S	L&S 410524	A54519S	TROS 471729
A54401	TROS 472311	A54442	TROS 450472	A54487S	TROS 410524	A54520	TROS 474253
A54402	TROS 450415	A54442S	L&S 450472	A54488	L&S 471887	A54521	L&S 450593
A54403	L&S 473442	A54443	L&S 450474	A54488	TROS 471887	A54521	TROS 450593
A54403	TROS 473442	A54443	TROS 450474	A54489	TROS 474276	A54523	TROS 470596
A54406	L&S 450765	A54444	TROS 471344	A54489S	TROS 474276	A54523S	L&S 470596
A54406	TROS 450765	A54444S	TROS 471344	A54490	L&S 50528	A54523S	TROS 470596
A54408	L&S 471730	A54447	TROS 473445	A54490	TROS 50528	A54525	TROS 450604
A54408	TROS 471730	A54448	L&S 323138	A54491	TROS 450984	A54525S	L&S 450604
A54410	TROS 450430	A54448	TROS 323138	A54492	TROS 470530	A54525S	TROS 450604
A54411S	L&S 450431	A54448S	L&S 323138	A54494	L&S 450533	A54526	L&S 470606
A54411S	L&S 471539	A54448S	TROS 323138	A54494	TROS 450533	A54526	TROS 470606
A54411S	TROS 450431	A54449	L&S 471818	A54496	L&S 450535	A54528	L&S 470390
A54411S	TROS 471539	A54449	TROS 471818	A54496	L&S 471264	A54528	TROS 470390
A54412	L&S 471138	A54450	TROS 450482	A54496	TROS 450535	A54529S	L&S 470120
A54412	TROS 471138	A54450S	L&S 450482	A54496	TROS 471264	A54529S	L&S 471224
A54414	L&S 350435	A54450S	TROS 450482	A54497	L&S 450536	A54529S	TROS 470120
A54414	TROS 350435	A54452	TROS 411330N	A54497	L&S 471535	A54529S	TROS 471224
A54417	TROS 450441	A54455	TROS 470487N	A54497	TROS 450536	A54531	L&S 450621
A54417	TROS 471341	A54455S	L&S 470487N	A54497	TROS 471535	A54531	TROS 450621
A54417S	L&S 450441	A54457	TROS 450489	A54499S	TROS 414268	A54532	L&S 470625
A54417S	L&S 471341	A54457	TROS 473244	A54499S	TROS 450539	A54532	TROS 470625
A54417S	TROS 450441	A54459	L&S 480491	A54500	L&S 450540	A54533S	L&S 413248
A54417S	TROS 471341	A54459	TROS 480491	A54500	TROS 450540	A54533S	TROS 413248
A54419	TROS 450444	A54460	L&S 450492	A54501	L&S 471689	A54534	TROS 473420
A54419	TROS 471835	A54460	TROS 450492	A54501	TROS 471689	A54537	L&S 471276
A54419S	L&S 450444	A54462	TROS 450494	A54501S	L&S 471689	A54537	TROS 471276
A54419S	L&S 471835	A54462	TROS 472164	A54502	L&S 470543	A54538S	L&S 472475
A54419S	TROS 450444	A54462S	L&S 450494	A54502	L&S 474272	A54538S	TROS 472475
A54419S	TROS 471835	A54462S	L&S 472164	A54502	TROS 470543	A54540	TROS 450639
A54420	TROS 50445	A54463	TROS 410496	A54502	TROS 474272	A54542	TROS 470645
A54421	TROS 450446	A54463S	L&S 410496	A54503	L&S 450545	A54543	L&S 481073
A54423	TROS 471270	A54468	L&S 474260	A54503	TROS 450545	A54543	TROS 481073
A54423S	L&S 471270	A54468	TROS 474260	A54504	TROS 470548	A54544	TROS 471766
A54423S	TROS 471270	A54471	TROS 472843	A54504	TROS 470625	A54546	L&S 470954
A54424	TROS 480630	A54471S	L&S 472843	A54505	L&S 472150	A54546	TROS 470954
A54425	TROS 472658	A54471S	TROS 472843	A54505	TROS 472150	A54547S	L&S 471570
A54425	TROS 473197	A54473	L&S 470506	A54506	TROS 470565	A54547S	TROS 471570
A54425S	L&S 450452	A54473	TROS 470506	A54506S	L&S 470565	A54548S	L&S 472020
A54425S	L&S 473197	A54479	TROS 470515	A54506S	TROS 470565	A54548S	TROS 472020
A54426	TROS 473224	A54480	L&S 450516	A54507	TROS 450533	A54549	L&S 471737
A54426S	L&S 473224	A54480	TROS 450516	A54507	TROS 471224	A54549	TROS 471737
A54428	L&S 472319	A54481	TROS 450519	A54507S	TROS 450533	A54550	L&S 410737
A54428	TROS 472319	A54481	TROS 471271	A54507S	TROS 471224	A54550	TROS 410737
A54429	L&S 450456	A54481S	L&S 450519	A54509	TROS 471808	A54553S	L&S 472018
A54429	TROS 450456	A54481S	L&S 471271	A54509S	L&S 471808	A54553S	TROS 472018
A54430S	TROS 450457	A54483	TROS 410520	A54511	TROS 471267	A54554	TROS 471984

INTERCHANGE SECTION

COMPETITIVE INTERCHANGES

Mfr No.	Mfr.	National	Mfr No.	Mfr.	National	Mfr No.	Mfr.	National	Mfr No.	Mfr.	National
A54554S	L&S	471984	A54611	TROS	471653	A56009	L&S	455005	A56032	L&S	455026
A54555	TROS	473240	A54616	L&S	481792	A56009	TROS	455005	A56032	TROS	455026
A54557	TROS	410737	A54616	TROS	481792	A56010	TROS	417344	A56033	L&S	415027
A54557	TROS	450737	A54617S	TROS	471571	A56010	TROS	455006	A56033	TROS	415027
A54557S	L&S	410737	A54618S	TROS	481073	A56010S	L&S	417344	A56033S	L&S	415027
A54557S	L&S	450737	A54620P	TROS	451078	A56010S	L&S	455006	A56033S	L&S	455027
A54558	TROS	471862	A54621	TROS	471413	A56010S	TROS	417344	A56033S	TROS	415027
A54558S	L&S	471862	A54622S	TROS	472213	A56010S	TROS	455006	A56034	L&S	55028
A54559	TROS	471316	A54624	L&S	473228	A56011	L&S	415007	A56034	TROS	55028
A54561	L&S	470764	A54624	L&S	51098	A56011	TROS	415007	A56035	TROS	370011A
A54561	TROS	470764	A54624	TROS	473228	A56013	L&S	5203	A56035S	L&S	416125
A54562	L&S	450776	A54624	TROS	51098	A56013	TROS	455008	A56036	L&S	55030
A54562	TROS	450776	A54625	TROS	471652	A56013S	L&S	455008	A56036	TROS	55030
A54563	L&S	481397	A54625S	L&S	471652	A56014	TROS	415960	A56037	L&S	416339
A545634	FRUEH	370036A	A54625S	TROS	471652	A56014	TROS	455009	A56037	L&S	455031
A545634	FRUEH	370349A	A54626	TROS	410825	A56014S	L&S	415960	A56037	TROS	416339
A545634	FRUEH	380036A	A54628	TROS	471707N	A56014S	L&S	455009	A56037	TROS	455031
A54564	TROS	471633	A54628S	L&S	471707N	A56015	L&S	417485	A56038	L&S	455032
A54565	TROS	471195	A54629	TROS	451082	A56015	TROS	417485	A56038	TROS	455032
A54565	TROS	481195	A54629S	L&S	451082	A56016	TROS	416921	A56039	L&S	416345
A54566S	TROS	471466	A54630	L&S	451182	A56016	TROS	455011	A56039	L&S	455033
A54568	TROS	480889	A54630	TROS	451182	A56016S	L&S	416921	A56039	TROS	416345
A54569	TROS	450803	A54631	TROS	480210	A56016S	L&S	455011	A56039	TROS	455033
A54570S	L&S	470806	A54635	L&S	51322	A56017	TROS	416654	A56040	TROS	415034
A54570S	TROS	470806	A54635	TROS	51322	A56017	TROS	455012	A56040	TROS	455034
A54576S	TROS	473380	A54636	L&S	411348	A56017S	L&S	416654	A56040S	L&S	415034
A54577	TROS	450819	A54636	TROS	411348	A56017S	L&S	455012	A56040S	L&S	455034
A54578S	L&S	472041	A54637	L&S	484054	A56018	TROS	415995	A56041	TROS	415035
A54578S	L&S	473454	A54637	TROS	484054	A56018	TROS	455013	A56041	TROS	415953
A54578S	TROS	472041	A54638	TROS	451583	A56018S	L&S	415995	A56041S	L&S	415035
A54578S	TROS	473454	A54639S	L&S	471649	A56018S	L&S	455013	A56041S	L&S	415953
A54580	L&S	450365	A54639S	TROS	471649	A56018S	TROS	415995	A56041S	TROS	415035
A54580	L&S	470898	A55077	AMC	470059	A56018S	TROS	455013	A56041S	TROS	415953
A54580S	L&S	450867	A55077	AMC	470380	A56020	L&S	417487	A56042	TROS	415036
A54580S	L&S	470898	A55428	L&S	470712	A56020	L&S	455014	A56042S	L&S	415036
A54580S	TROS	450867	A55432	CASE	415449	A56020	TROS	417487	A56042S	TROS	415036
A54580S	TROS	470898	A55446	CASE	472185	A56020	TROS	455014	A56043	TROS	455037
A54581	L&S	473203	A55462	L&S	472164	A56021	TROS	455015	A56044	TROS	417512
A54581	TROS	473203	A55599	US-EL	450068	A56022	TROS	415016N	A56044S	L&S	417512
A54582	TROS	450869	A55663	CASE	473234	A56022S	L&S	415016N	A56045	TROS	417513
A54588	TROS	413479	A55755	CASE	470403	A56022S	TROS	416288	A56045S	L&S	417513
A54588S	L&S	413479	A55755	CASE	470774	A56023	TROS	456105	A56046	TROS	416891
A54590S	TROS	450911N	A55794	STUDE	320457	A56023S	L&S	456105	A56046S	L&S	416891
A54591	L&S	473237	A55832	CASE	471870	A56024	TROS	455018	A56047	L&S	415041
A54591	TROS	473237	A55832	CASE	471883	A56024	TROS	476470	A56047	TROS	415041
A54594S	L&S	471736	A55855	CASE	471224	A56024S	L&S	455018	A56049	L&S	415043
A54594S	TROS	471736	A56003	L&S	417073	A56024S	L&S	476470	A56049	TROS	415043
A54599S	L&S	471564	A56003	TROS	417073	A56025	L&S	455019	A56050	TROS	417514
A54599S	TROS	471564	A56004	TROS	415001	A56025	TROS	455019	A56051	TROS	415045
A54602	L&S	410987	A56004	TROS	455001	A56026	TROS	455020	A56051S	L&S	415045
A54602	TROS	410987	A56005	TROS	415988	A56027	L&S	415021	A56052	TROS	417520
A54603	TROS	473474	A56005S	L&S	415988	A56027	TROS	415021	A56052S	L&S	417520
A54603S	L&S	473474	A56006	TROS	415458	A56028	L&S	455022	A56053	TROS	415047
A54604S	L&S	480630	A56006	TROS	455003	A56028	TROS	370012A	A56053S	L&S	415047
A54604S	L&S	480991	A56006P	L&S	475003N	A56029	L&S	415023	A56054	L&S	417525
A54604S	TROS	480630	A56006P	TROS	415458	A56029	TROS	415023	A56054	TROS	417525
A54604S	TROS	480991	A56006P	TROS	455003	A56030	L&S	455024	A56055	TROS	370022A
A54605	TROS	472432	A56008	TROS	417316	A56030	TROS	455024	A56055	TROS	380022A
A54605	TROS	474256	A56008S	L&S	417316	A56031	L&S	415025	A56055S	L&S	416892
A54608	TROS	472185	A56008S	L&S	455004	A56031	TROS	415025	A56056	L&S	417533

INTERCHANGE SECTION

COMPETITIVE INTERCHANGES



Mfr No.	Mfr. National	Mfr No.	Mfr. National	Mfr No.	Mfr. National	Mfr No.	Mfr. National
A56056	TROS 417533	A56086S	TROS 455079	A56111S	L&S 417563	A56141	TROS 455147
A56057	TROS 415371	A56087	L&S 455080	A56112	TROS 416229	A56141S	L&S 415449
A56057S	L&S 415371	A56087	TROS 455080	A56112S	L&S 416229	A56141S	L&S 455147
A56059	TROS 415138	A56088	L&S 415082	A56113	TROS 417298	A56141S	TROS 415449
A56059S	L&S 415138	A56088	TROS 415082	A56113S	L&S 417298	A56141S	TROS 455147
A56060	L&S 417223	A56090	TROS 416239	A56114	TROS 455310	A56142	L&S 417366
A56060	TROS 417223	A56090S	L&S 416239	A56115	L&S 455584	A56142	TROS 417366
A56063	TROS 455056	A56091	TROS 415085	A56115	TROS 455584	A56143	TROS 417343
A56063S	L&S 455056	A56091	TROS 456648	A56116	TROS 416077	A56143S	L&S 417343
A56064	L&S 417516	A56091S	L&S 415085	A56116S	L&S 416077	A56144	L&S 415150
A56064	TROS 417516	A56091S	L&S 456648	A56117	TROS 415116	A56144	TROS 415150
A56065	L&S 415058	A56092	TROS 417487	A56117S	L&S 415116	A56145	L&S 455151
A56065	TROS 370031A	A56092	TROS 455086	A56118	L&S 455117	A56145	TROS 455151
A56065	TROS 380031A	A56092S	L&S 417487	A56118	TROS 455117	A56146	TROS 417134
A56066	TROS 417238	A56092S	L&S 455086	A56119	TROS 415551	A56146S	L&S 417134
A56067	TROS 370019A	A56094S	L&S 415088	A56119S	L&S 415551	A56147	TROS 417486
A56067S	L&S 415060	A56094S	L&S 455088	A56120	L&S 417598	A56147S	L&S 417486
A56068	L&S 415351	A56094S	TROS 415088	A56120	TROS 417598	A56148	L&S 417351
A56068	TROS 415351	A56094S	TROS 455088	A56121	L&S 455406	A56148	L&S 455154
A56069	TROS 370021A	A56095	TROS 415090	A56121	TROS 455406	A56148	TROS 417351
A56069S	L&S 415351	A56095S	L&S 415090	A56122	L&S 455121	A56148	TROS 455154
A56070	L&S 457585	A56096	TROS 416167	A56122	TROS 455121	A56150	TROS 416011
A56070	TROS 457585	A56096S	L&S 416167	A56123	TROS 417602	A56150	TROS 417621
A56071	L&S 415064	A56096S	L&S 455091	A56123S	L&S 417602	A56150S	L&S 416011
A56071	TROS 370021A	A56096S	TROS 416167	A56124	TROS 455123	A56150S	L&S 417621
A56072	TROS 417536	A56097	TROS 417596	A56125	TROS 415124	A56150S	TROS 416011
A56073	TROS 415066	A56098	TROS 411376	A56126	L&S 417022	A56150S	TROS 417621
A56073S	L&S 415066	A56098	TROS 455093	A56126	TROS 417022	A56151	TROS 416292
A56074	TROS 456890	A56098S	L&S 411376	A56127	TROS 417604	A56152S	L&S 417488
A56075	TROS 417269	A56098S	L&S 455093	A56127S	L&S 417604	A56152S	TROS 417488
A56075S	L&S 417269	A56098S	TROS 411376	A56128	L&S 417567	A56153	L&S 417171
A56076	TROS 417273	A56098S	TROS 455093	A56128	TROS 417567	A56153	TROS 417171
A56076S	L&S 417273	A56099	TROS 416444	A56129S	L&S 415128	A56154	L&S 417490
A56077	TROS 370028A	A56099S	L&S 416444	A56129S	TROS 415128	A56154	TROS 417490
A56077S	L&S 416865	A56101	TROS 416271	A56130S	L&S 455129	A56155	TROS 417181
A56077S	L&S 455070	A56101S	L&S 416271	A56130S	TROS 455129	A56155S	L&S 417181
A56077S	TROS 416865	A56101S	TROS 416271	A56131	L&S 417474	A56156S	TROS 417491
A56077S	TROS 455070	A56102	L&S 411245	A56131	TROS 417474	A56157	L&S 412473
A56078	TROS 417546	A56102	L&S 455096	A56132	TROS 455134	A56157	L&S 415894
A56078S	L&S 417546	A56102	TROS 411245	A56132S	L&S 455134	A56157	TROS 412473
A56078S	TROS 417546	A56102	TROS 455096	A56133	L&S 455136	A56157	TROS 415894
A56079	TROS 415072	A56103	L&S 415302	A56133	TROS 455136	A56158	TROS 417191
A56079S	L&S 415072	A56103	TROS 415302	A56134	TROS 370018A	A56158	TROS 455165
A56079S	TROS 415072	A56104	L&S 416282	A56134S	L&S 418028	A56158S	L&S 417191
A56080	TROS 416107	A56104	TROS 416282	A56134S	L&S 455137	A56158S	L&S 455165
A56080	TROS 455073	A56105	TROS 417547	A56134S	TROS 370018A	A56159	TROS 417492
A56080S	L&S 416107	A56105S	L&S 415645	A56135	L&S 417554	A56160	L&S 417354
A56080S	L&S 455073	A56105S	L&S 455104	A56135	TROS 417554	A56160	TROS 417354
A56080S	TROS 416107	A56106	TROS 415938	A56137	L&S 415142	A56161	L&S 417493
A56080S	TROS 455073	A56106S	L&S 415938	A56137	TROS 415142	A56161	TROS 417493
A56081	L&S 415074	A56107	TROS 417556	A56138	L&S 455144	A56162	L&S 417196
A56081	TROS 415074	A56107S	L&S 417556	A56138	TROS 455144	A56162	TROS 417196
A56082	TROS 416476	A56108	TROS 416666	A56139	TROS 370014A	A56163	L&S 415711
A56082	TROS 455075	A56108S	L&S 416666	A56139S	L&S 417172	A56163	TROS 415711
A56082S	L&S 416476	A56109	TROS 457874	A56140	TROS 415991	A56164	TROS 416047
A56082S	L&S 455075	A56109S	L&S 457874	A56140	TROS 455146	A56164	TROS 416332
A56083	L&S 415076	A56110	TROS 417562	A56140S	TROS 415991	A56164S	L&S 416047
A56083	TROS 415076	A56110S	L&S 417562	A56140S	TROS 455146	A56164S	L&S 416332
A56084	TROS 415077	A56111	L&S 417563	A56141	L&S 415449	A56164S	TROS 416047
A56085	TROS 455079	A56111	TROS 417563	A56141	TROS 415449	A56164S	TROS 416332

INTERCHANGE SECTION

COMPETITIVE INTERCHANGES

Mfr No.	Mfr.	National	Mfr No.	Mfr.	National	Mfr No.	Mfr.	National	Mfr No.	Mfr.	National
A56165	TROS	415437	A56190P	L&S	455200N	A56232	TROS	415303	A56277S	TROS	55301S
A56165	TROS	455173	A56190S	L&S	416888	A56232S	L&S	415303	A56279	TROS	476470
A56165S	L&S	415437	A56191	L&S	417509	A56233R	L&S	455251H	A56279S	L&S	476470
A56165S	L&S	455173	A56191	TROS	417509	A56233S	TROS	455251H	A56280	TROS	415991
A56166	TROS	417497	A56192	L&S	455203	A56235	L&S	455253	A56280	TROS	455146
A56166S	L&S	417497	A56192	TROS	455203	A56235	TROS	455253	A56282	TROS	455308
A56167	L&S	415937	A56193	TROS	417515	A56236	L&S	415254	A56284	TROS	455310
A56167	TROS	415937	A56194	L&S	416137	A56236	TROS	415254	A56284S	L&S	455310
A56168	L&S	417501	A56194	TROS	416137	A56237	TROS	417198	A56285	TROS	455311
A56168	TROS	417501	A56195	TROS	416144	A56239	TROS	417252	A56286	L&S	417278
A56169	L&S	415379	A56195S	L&S	416144	A56240	L&S	415259	A56286	TROS	417278
A56169	L&S	455379	A56196	L&S	416149	A56240	TROS	415259	A56287	TROS	416670
A56169	TROS	415379	A56196	TROS	416149	A56241	TROS	455260	A56288	TROS	415984
A56169	TROS	455379	A56197	L&S	417526	A56243	L&S	417496	A56290	L&S	415317
A56169S	L&S	415379	A56197	TROS	417526	A56243	TROS	417496	A56290	TROS	415317
A56169S	L&S	455379	A56198	TROS	416154	A56244	TROS	415263	A56291	L&S	417542
A56171	L&S	417210	A56198S	L&S	416154	A56244S	L&S	415263	A56291	TROS	417542
A56171	TROS	417210	A56198S	TROS	416154	A56244S	TROS	415263	A56292	TROS	417495
A56172	TROS	417498	A56199	L&S	417534	A56245	TROS	415867	A56293	L&S	455321
A56172S	L&S	417498	A56199	TROS	417534	A56246	L&S	456305	A56293	TROS	455321
A56173	L&S	417355	A56200	TROS	416158	A56246	TROS	416865	A56294	TROS	417484N
A56173	TROS	417355	A56200S	L&S	416158	A56250	TROS	417502	A56294	TROS	455322
A56175	TROS	417205	A56201	TROS	417535	A56251S	L&S	417605	A56294S	L&S	417484N
A56175S	L&S	417205	A56202	L&S	417247	A56251S	TROS	417605	A56294S	L&S	455322
A56176	TROS	417504	A56202	TROS	417247	A56252	TROS	415725	A56294S	TROS	417484N
A56177	TROS	417211	A56203	L&S	416163	A56252S	L&S	415725	A56294S	TROS	455322
A56177S	L&S	417211	A56203	TROS	416163	A56252S	TROS	415725	A56295	TROS	417532
A56177S	TROS	417211	A56204	TROS	417539	A56253	TROS	416706	A56296	L&S	415327
A56178	TROS	455186	A56204S	L&S	417539	A56253	TROS	455272	A56296	TROS	415327
A56178S	L&S	455186	A56205	L&S	417267	A56253S	TROS	416706	A56297	TROS	455328
A56179	TROS	415187	A56205	TROS	417267	A56253S	TROS	455272	A56299	L&S	455330
A56179S	L&S	415187	A56207	TROS	415219	A56254	L&S	417254	A56299	TROS	455330
A56180	L&S	417356	A56207S	L&S	415219	A56254	TROS	417254	A56300	TROS	417191
A56180	L&S	455188	A56207S	TROS	415219	A56258	TROS	455280	A56305	L&S	455336
A56180	TROS	417356	A56208	L&S	415871	A56259	TROS	415281N	A56305	TROS	455336
A56180	TROS	455188	A56208	TROS	415871	A56259S	L&S	415281N	A56306	TROS	55337
A56181S	L&S	455189	A56209	L&S	417606	A56261	TROS	416364	A56308	TROS	415991
A56181S	TROS	455189	A56209	TROS	417606	A56261S	L&S	416364	A56308	TROS	455146
A56182	L&S	455191	A56213	TROS	417020	A56261S	TROS	416364	A56309	L&S	417494
A56182	TROS	455191	A56214	TROS	417570	A56263	TROS	370028A	A56309	TROS	417494
A56183	TROS	417357	A56215	L&S	415227	A56264	TROS	417602	A56310	TROS	417531
A56183	TROS	455192	A56215	TROS	415227	A56267	TROS	455290	A56314	TROS	417159
A56183S	L&S	417357	A56217	TROS	415482	A56269	TROS	417584	A56314S	L&S	417159
A56183S	L&S	455192	A56219S	L&S	416153	A56270	L&S	415294	A56314S	TROS	417159
A56185	L&S	455194	A56219S	TROS	416153	A56270	L&S	455294	A56316	L&S	415349
A56185	TROS	455194	A56220	TROS	417538	A56270	TROS	415294	A56316	TROS	415349
A56186	TROS	455195	A56220S	L&S	417538	A56270	TROS	455294	A56317	L&S	415350
A56186	TROS	472157	A56221	L&S	415234	A56270S	TROS	415294	A56317	TROS	415350
A56186S	L&S	455195	A56221	TROS	415234	A56270S	TROS	455294	A56319	L&S	55353
A56186S	L&S	472157	A56223	L&S	55238	A56271	TROS	415295	A56319	TROS	55353
A56186S	TROS	455195	A56223	TROS	55238	A56271S	L&S	415295	A56320	TROS	416404
A56186S	TROS	472157	A56226	L&S	417481	A56272	TROS	417082	A56320S	L&S	416404
A56187	TROS	415196	A56226	TROS	417481	A56272S	L&S	417082	A56321S	L&S	417158
A56187S	L&S	415196	A56227	L&S	416024	A56273	L&S	455297	A56321S	L&S	455355
A56187S	TROS	415196	A56229	L&S	417540	A56273	TROS	455297	A56321S	TROS	417158
A56188	L&S	455197N	A56229	TROS	417540	A56275	TROS	417600	A56321S	TROS	455355
A56188	TROS	455197N	A56230	L&S	412861	A56275S	L&S	417600	A56322	TROS	455356
A56189	TROS	415196	A56230	TROS	412861	A56276	TROS	417601	A56323	L&S	55357
A56190	TROS	416888	A56231	L&S	455249	A56276S	L&S	417601	A56323	TROS	55357
A56190	TROS	455200	A56231	TROS	455249	A56277S	L&S	55301S	A56326	TROS	417362

INTERCHANGE SECTION

COMPETITIVE INTERCHANGES



Mfr No.	Mfr.	National	Mfr No.	Mfr.	National	Mfr No.	Mfr.	National	Mfr No.	Mfr.	National
A56326S	TROS	417362	A56372	L&S	455576	A56419	TROS	455556	A56487S	L&S	455860
A56327	TROS	416664	A56372	TROS	455576	A56421S	TROS	417780	A56489	L&S	2055
A56327	TROS	455364	A56373	TROS	455462	A56422	L&S	415559	A56489	TROS	2055
A56327S	L&S	416664	A56374	TROS	417550	A56422	TROS	415559	A56492S	TROS	2218
A56327S	L&S	455364	A56375	L&S	55469	A56425	L&S	55563	A56493S	TROS	416102
A56327S	TROS	416664	A56375	TROS	55469	A56425	TROS	55563	A56500S	L&S	415958
A56327S	TROS	455364	A56376	TROS	455471	A56426	TROS	455566	A56500S	L&S	455958
A56328	L&S	327303	A56378	L&S	417518	A56426S	TROS	455566	A56500S	TROS	415958
A56328	TROS	327303	A56378	TROS	417518	A56430S	L&S	417506	A56500S	TROS	455958
A56331	TROS	415483	A56380	TROS	455476	A56430S	TROS	417506	A565634	FRUEH	370036A
A56331	TROS	455368	A56381	TROS	417350	A56431S	TROS	455576	A565634	FRUEH	370349A
A56331S	L&S	415483	A56381	TROS	455479	A56432	TROS	415577	A565634	FRUEH	380036A
A56331S	L&S	455368	A56381S	L&S	417350	A56434	L&S	456618	A57230	CASE	416294
A56331S	TROS	415483	A56381S	L&S	455479	A56434	TROS	370023A	A57231	CASE	J1123
A56331S	TROS	455368	A56382	TROS	455480	A56434	TROS	380023A	A57247	CASE	5397
A56332	TROS	416273	A56382S	L&S	455480	A56435	TROS	455583N	A57250	CASE	5397
A56332S	L&S	416273	A56382S	TROS	455480	A56440	L&S	416070	A57479	CASE	411500
A56333	L&S	417537	A56383	TROS	417543	A56440	TROS	416070	A57501R	TROS	9613S
A56333	TROS	417537	A56384	TROS	415482	A56444	TROS	416294	A57520S	L&S	471652
A56334S	TROS	415371	A56386S	TROS	415937	A56446	L&S	416029N	A57520S	TROS	471652
A56336	L&S	417541	A56387S	L&S	415937	A56446	TROS	416029N	A57520S	TROS	482208
A56336	TROS	417541	A56387S	TROS	415937	A56449	TROS	415085	A57647	CASE	415559
A56337	TROS	415284	A56388	L&S	417555	A56449	TROS	456648	A57658	CASE	476470
A56337S	L&S	415284	A56388	TROS	417555	A56450	L&S	415371	A57697	CASE	J1105
A56337S	TROS	415284	A56390S	L&S	417603	A56450	TROS	415371	A57699	CASE	472041
A56338	TROS	415379	A56390S	TROS	417603	A56455	L&S	455655	A57699	CASE	473454
A56338	TROS	455379	A56392	TROS	417548	A56455	TROS	455655	A5769L	CASE	J1105
A56338S	L&S	415379	A56392S	L&S	417548	A56456S	TROS	416267	A57708	CASE	472164
A56338S	L&S	455379	A56392S	TROS	417548	A56458	L&S	412473	A58051	L&S	473235
A56338S	TROS	415379	A56394	TROS	415498	A56458	L&S	415894	A58223	CASE	471271
A56338S	TROS	455379	A56394S	L&S	415498	A56458	TROS	412473	A58428	CASE	472878
A56339	TROS	410825	A56394S	TROS	415498	A56458	TROS	415894	A5861AB	CASE	470062
A56342	TROS	416956	A56395	TROS	418029	A56459	L&S	415683	A5861AB	CASE	474264
A56342S	L&S	416956	A56395	TROS	455499	A56459	TROS	415683	A59046	CASE	416043
A56342S	TROS	416956	A56395S	L&S	418029	A56461	TROS	455685	A59134	TROS	41257
A56343	TROS	475384	A56395S	L&S	455499	A56463	L&S	417353	A59760P	L&S	335924N
A56343S	L&S	475384	A56396	TROS	455500	A56463	TROS	417353	A59760S	TROS	335924N
A56346	TROS	415389	A56398	L&S	455583N	A56464	L&S	416297	A598417	NEHO	370023A
A56349	L&S	417511	A56398	TROS	455583N	A56464	TROS	416297	A598417	SPERY	370023A
A56349	TROS	417511	A56400	TROS	455509	A56466S	TROS	416364	A59861S	TROS	480821
A56350	L&S	415394	A56401S	L&S	2081	A56469	TROS	370019A	A60003E	GMC	471643
A56350	TROS	415394	A56401S	TROS	2081	A56470	TROS	415960	A60003F	GMC	471643
A56351	L&S	417549	A56403	L&S	416130	A56470	TROS	455009	A600B202	CONTI	410737
A56351	TROS	417549	A56403	TROS	370015A	A56474	L&S	416071	A600B202	CONTI	450737
A56352	TROS	455396	A56404	TROS	370066A	A56474	TROS	416071	A600L202	CASE	450115
A56356	TROS	417551	A56404S	L&S	417507	A56476	TROS	455820	A600L202	CASE	473467
A56357	L&S	55419	A56404S	L&S	455513	A56477	L&S	417258	A600L202	CONTI	450115
A56357	TROS	55419	A56404S	TROS	417507	A56477	TROS	417258	A600L202	CONTI	473467
A56357S	L&S	417492	A56404S	TROS	455513	A56478	TROS	410825	A600L202L	CONTI	450115
A56358	L&S	417564	A56408	L&S	55524	A56480	L&S	415832	A600L202L	CONTI	473467
A56358	TROS	417564	A56408	TROS	55524	A56480	TROS	415832	A600L214	CONTI	450115
A56361	L&S	455434	A56412	TROS	455536	A56481	TROS	417604	A600L214	CONTI	473467
A56361	TROS	455434	A56416	TROS	370033A	A56484	TROS	415854	A600L202	MASSE	450115
A56363	TROS	415437	A56416S	L&S	415697	A56485	L&S	415857	A600L202	MASSE	473467
A56363S	L&S	415437	A56416S	L&S	455547	A56485	TROS	415857	A60106	TROS	8976S
A56365	TROS	410312N	A56416S	TROS	415697	A56486	L&S	455858	A60108K	TROS	370012A
A56367	L&S	415447	A56416S	TROS	455547	A56486	TROS	455858	A6020A	GAL	416271
A56367	TROS	415447	A56417	L&S	55548	A56487	TROS	417480	A60382	OLIVE	450083
A56370S	L&S	417597	A56417	TROS	55548	A56487	TROS	455860	A60382	OLIVE	472924
A56370S	TROS	417597	A56419	L&S	455556	A56487S	L&S	417480	A60536	CUMMI	450185

INTERCHANGE SECTION

COMPETITIVE INTERCHANGES

Mfr No.	Mfr.	National	Mfr No.	Mfr.	National	Mfr No.	Mfr.	National	Mfr No.	Mfr.	National
A60536	CUMMI	473229	A64402P	TROS	8610	A65261	TROS	380036A	A66520S	L&S	473473
A60801S	L&S	8773S	A64459	STUDE	471103	A65262	TROS	370020A	A66520S	TROS	473473
A60801S	TROS	8773S	A64459	STUDE	50197S	A65263	TROS	370001A	A66540S	L&S	8935S
A61089	STUDE	470169	A64501R	L&S	6712NA	A65263	TROS	380001A	A66540S	TROS	8935S
A61089	STUDE	473214	A64501R	TROS	6712NA	A65270	TROS	370022A	A66541S	L&S	473234
A61111	STUDE	471763	A64503S	TROS	472299	A65270	TROS	380022A	A66541S	TROS	473234
A61161	L&S	42101S	A64520	L&S	40395	A65272	TROS	370021A	A66581	DCORP	473236
A61161	TROS	42101S	A64520	L&S	40395S	A65274	TROS	370005A	A66584	DCORP	473234
A61161S	L&S	42101S	A64520S	L&S	330663	A65283	TROS	370006A	A67101S	L&S	8871
A614413	DCORP	412119	A64520S	L&S	472354	A65284	TROS	370019A	A67367	CASE	417509
A614413	DCORP	450101	A64520S	TROS	330663	A65287	TROS	370007A	A675000AL513	GE	416888
A614418	DCORP	472213	A64520S	TROS	472354	A65291	TROS	370012A	A676000AC111	GE	451583
A61442	DCORP	471466	A64540S	L&S	415991	A65299	TROS	370057A	A676000AD155	GE	481792
A614422	DCORP	340495	A64540S	L&S	415991N	A65340S	L&S	8695S	A676000AD156	GE	471652
A614423	DCORP	472258	A64540S	TROS	415991	A65340S	TROS	8695S	A676000AD161	GE	471787
A614436	DCORP	473234	A64540S	TROS	415991N	A65360S	L&S	7687S	A676000AD162	GE	471413
A614438	DCORP	471750	A64601S	L&S	472082	A65360S	TROS	7687S	A676000AD163	GE	471801
A614444	DCORP	471549	A64601S	TROS	472082	A65402P	L&S	411330N	A676000AE212	GE	470380
A614446	DCORP	471231	A64965S	L&S	471271	A65402P	TROS	411330N	A676000AE213	GE	473228
A61445	DCORP	481443	A64965S	TROS	471271	A65501S	L&S	9449	A676000AF251	GE	472299
A61447	DCORP	472951	A64968S	L&S	415458	A65501S	TROS	9449	A676000AF255	GE	473230
A61447	DCORP	474252	A64968S	L&S	475458	A65502S	L&S	8792S	A676000AF258	GE	471829
A61448	CASE	486857	A64968S	TROS	415458	A65502S	TROS	8792S	A676000AF260	GE	472164
A61448	DCORP	471747	A64968S	TROS	475458	A65520S	L&S	470687	A676000AG302	GE	473238
A61448	DCORP	472674	A65003	TROS	370025A	A65520S	TROS	470687	A676000AK454	GE	415984
A61449	CASE	9943	A65003	TROS	380025A	A65521P	L&S	482163N	A676000AL508	GE	416380
A61449	DCORP	473424	A65003	TROS	386025A	A65601P	L&S	3945	A676000AL513	GE	416888
A61736	CASE	6597S	A65027	TROS	370106A	A65601P	TROS	3945	A67637	CASE	417509
A61840S	TROS	471539	A65029	TROS	370031A	A65961	TROS	412725	A67689	STUDE	450115
A62050	CASE	714750	A65029	TROS	380031A	A65961S	TROS	412725	A67689	STUDE	473467
A620A	OLIVE	412119	A65054	TROS	370009A	A65963S	TROS	476838	A69193	STUDE	471192
A620A	OLIVE	450101	A65054	TROS	380009A	A65965S	L&S	450154	A693A	OLIVE	411253
A62701P	L&S	482041N	A65056	TROS	370003A	A65965S	L&S	473234	A693A	OLIVE	450099
A62701P	TROS	482041N	A65056	TROS	380003A	A65965S	TROS	450154	A693A	WHITE	411253
A6283	CASE	370051A	A65060	TROS	370025A	A65965S	TROS	473234	A693A	WHITE	450099
A62855	ALLCH	450066	A65060	TROS	380025A	A65968S	TROS	471567	A69503K	TROS	370013A
A62855	ALLCH	473367	A65060	TROS	386025A	A6600	MUSAS	228015	A69505K	TROS	370025A
A63101S	L&S	8974S	A65065	TROS	370005A	A6601	MUSAS	710217	A69505K	TROS	380025A
A63102	TROS	8975S	A65067	TROS	370030A	A6604	MUSAS	710173	A69505K	TROS	386025A
A63201S	L&S	8477S	A65070	TROS	370005A	A6605	MUSAS	710598	A69506K	TROS	370029A
A63201S	TROS	8477S	A65072	TROS	370021A	A6606	MUSAS	1146	A69509K	TROS	370037A
A63301S	L&S	9178S	A65073	TROS	370011A	A6607	MUSAS	712551	A69509K	TROS	370338A
A63301S	TROS	9178S	A65073W	TROS	370011A	A66120S	L&S	472394	A69510K	TROS	370036A
A63720K	L&S	5095	A65084	TROS	370019A	A66120S	TROS	472394	A69510K	TROS	370349A
A63720K	TROS	5095	A65102S	TROS	8974S	A66121S	L&S	6815	A69510K	TROS	380036A
A63860S	TROS	470954	A65103S	L&S	8975S	A66123S	TROS	472258	A69511K	TROS	370036A
A63901S	L&S	480581	A65103S	TROS	8975S	A6614	MUSAS	710332	A69511K	TROS	370349A
A63901S	TROS	480581	A65120S	L&S	9406S	A6615	MUSAS	710834	A69511K	TROS	380036A
A63960	TROS	311189	A65120S	TROS	4148	A6616	MUSAS	710451	A69512K	TROS	370192A
A64101S	L&S	8705S	A65120S	TROS	471424	A6620	MUSAS	710630	A69513K	TROS	370004A
A64101S	TROS	8705S	A65121S	L&S	9339S	A66203	L&S	9049N	A69519K	TROS	370026A
A64160	L&S	8635S	A65121S	TROS	9339S	A66203	TROS	9049N	A69520K	TROS	370065A
A64160	TROS	8635S	A65201S	L&S	8835S	A66204S	L&S	9128S	A69520K	TROS	376590A
A64201S	L&S	8594S	A65201S	TROS	8835S	A66204S	TROS	9128S	A69520K	TROS	380065A
A64201S	TROS	8594S	A65202S	L&S	8940S	A6622	MUSAS	711005	A69521K	TROS	370107A
A64202S	L&S	8660S	A65202S	TROS	8940S	A6625	MUSAS	710608	A69522K	TROS	370027A
A64202S	TROS	8660S	A65240S	L&S	8704S	A66402P	TROS	2043	A69535K	TROS	370025A
A64220	L&S	9569S	A65240S	TROS	8704S	A66402S	L&S	2043	A69535K	TROS	380025A
A64220	TROS	9569S	A65261	TROS	370036A	A66402S	TROS	2043	A69535K	TROS	386025A
A64402P	L&S	8610	A65261	TROS	370349A	A66501S	TROS	470530	A69536K	TROS	370037A

INTERCHANGE SECTION

COMPETITIVE INTERCHANGES



Mfr No.	Mfr.	National	Mfr No.	Mfr.	National	Mfr No.	Mfr.	National	Mfr No.	Mfr.	National
A69536K	TROS	370338A	A69711K	TROS	370008A	A7146	CASE	470351	A76010S	TROS	203008
A69570K	TROS	370036A	A69713K	TROS	370027A	A7146	CASE	471504	A76011S	L&S	203012
A69570K	TROS	370349A	A69714K	TROS	370005A	A7184	BORGW	410059	A76011S	TROS	203012
A69570K	TROS	380036A	A69716K	TROS	370006A	A7184	BORGW	470380	A76012S	L&S	203013
A69594K	TROS	370026A	A69717K	TROS	370019A	A7184	FORD	410059	A76012S	TROS	203013
A69596K	TROS	370065A	A69718K	TROS	370019A	A7184	FORD	470380	A76013S	L&S	203016
A69596K	TROS	376590A	A69719K	TROS	370006A	A7201	BORGW	471869	A76013S	TROS	203016
A69596K	TROS	380065A	A69724K	TROS	370036A	A7201	BORGW	473459	A76014	CASE	470898
A69597K	TROS	370036A	A69724K	TROS	370349A	A7201	FORD	471869	A76014S	L&S	203025
A69597K	TROS	370349A	A69724K	TROS	380036A	A7201	FORD	473459	A76014S	TROS	203025
A69597K	TROS	380036A	A69725K	TROS	370047A	A72069	L&S	471192	A76015S	L&S	203029
A69598K	TROS	370025A	A69728K	TROS	370033A	A72069	TROS	471192	A76015S	TROS	203029
A69598K	TROS	380025A	A69730K	TROS	370046A	A73015	L&S	200600	A76016S	TROS	45637S
A69598K	TROS	386025A	A69742K	TROS	370003A	A73015	TROS	200600	A76017S	L&S	204002
A69599K	TROS	370037A	A69742K	TROS	380003A	A73019	L&S	200640	A76017S	TROS	204002
A69599K	TROS	370338A	A69743K	TROS	370106A	A73019	TROS	200640	A76021S	L&S	204008
A69604K	TROS	370014A	A69745K	TROS	370031A	A73025	L&S	7208S	A76021S	TROS	204008
A69605K	TROS	370011A	A69745K	TROS	380031A	A73025	TROS	7208S	A76024S	L&S	204013
A69608K	TROS	370015A	A69746K	TROS	370069A	A73029	L&S	200642	A76024S	TROS	204013
A69609K	TROS	370124A	A69746K	TROS	380069A	A73029	TROS	200642	A76025S	L&S	204017
A69611K	TROS	370018A	A69750K	TROS	370028A	A74002	L&S	450040	A76025S	TROS	204017
A69612K	TROS	370010A	A69754K	TROS	370023A	A74002	TROS	450040	A76026S	L&S	204020
A69616K	TROS	370007A	A69754K	TROS	370024A	A74003	L&S	471419	A76026S	L&S	204505
A69619K	TROS	370007A	A69754K	TROS	370165A	A74003	L&S	473367	A76026S	TROS	204020
A69622K	TROS	370012A	A69754K	TROS	380023A	A74003	TROS	471419	A76026S	TROS	204505
A69624K	TROS	370012A	A69755K	TROS	370009A	A74003	TROS	473367	A76028S	L&S	204035
A69625K	TROS	370012A	A69755K	TROS	380009A	A74004	TROS	473228	A76028S	TROS	204035
A69626K	TROS	370001A	A69756K	TROS	370003A	A74008	L&S	472287	A76216	CASE	471869
A69626K	TROS	380001A	A69756K	TROS	380003A	A74008	TROS	472287	A76216	CASE	473459
A69627K	TROS	370048A	A69757K	TROS	370005A	A74010	TROS	473010	A76396	STUDE	472924
A69627K	TROS	370182A	A69758K	TROS	370031A	A74012	TROS	415147	A7662	AM CA	470351
A69627K	TROS	380048A	A69758K	TROS	380031A	A74012	TROS	415449	A7662	AM CA	471504
A69628K	TROS	370033A	A69759K	TROS	370121A	A74013	TROS	417344	A7717	CLARK	415483
A69629K	TROS	370020A	A69781K	TROS	370069A	A74014	L&S	416444	A7717	CLARK	455368
A69637	TROS	370002A	A69781K	TROS	380069A	A74014	TROS	416444	A778	WILYS	40140S
A69637K	TROS	370002A	A69782K	TROS	370121A	A74015	TROS	415147	A779	WILYS	40576S
A69639K	TROS	370054A	A69783K	TROS	370004A	A74015	TROS	415449	A7792	CASE	415147
A69640K	TROS	370057A	A69785K	TROS	370047A	A74017	TROS	415379	A7792	CASE	415449
A69643K	TROS	370131A	A69787K	TROS	370009A	A74019	TROS	416666	A78003	TROS	205004
A69643K	TROS	380131A	A69787K	TROS	380009A	A74023	TROS	416865	A78004	L&S	203005
A69688K	TROS	370002A	A69788K	TROS	370031A	A75006S	TROS	240009	A78004	L&S	205005
A69689K	TROS	370011A	A69788K	TROS	380031A	A75012S	L&S	340469	A78004	TROS	203005
A69690K	TROS	370007A	A69789K	TROS	370006A	A75012S	TROS	340469	A78004	TROS	205005
A69691K	TROS	370015A	A69790K	TROS	370036A	A75013S	L&S	340771	A78010	L&S	205015
A69693K	TROS	370012A	A69790K	TROS	370349A	A75013S	TROS	340771	A78010	TROS	205015
A69695K	TROS	370064A	A69790K	TROS	380036A	A75016S	L&S	45637S	A78012	TROS	204020
A69696K	TROS	370131A	A69791K	TROS	370021A	A75016S	TROS	45637S	A78012	TROS	204505
A69696K	TROS	380131A	A69792K	TROS	370019A	A75233	CASE	415147	A78013	L&S	205035
A69697K	TROS	370048A	A69793K	TROS	370022A	A75233	CASE	415449	A78013	TROS	205035
A69697K	TROS	370182A	A69793K	TROS	380022A	A7597	AM CA	473453	A78014	L&S	205044
A69697K	TROS	380048A	A69794K	TROS	370023A	A76002S	TROS	200110	A78014	TROS	205044
A69698K	TROS	370020A	A69794K	TROS	370024A	A76004	L&S	204008	A78016S	TROS	472144
A69699K	TROS	370001A	A69794K	TROS	380023A	A76004	TROS	204008	A78018S	L&S	210945
A69699K	TROS	380001A	A69795K	TROS	370030A	A76005S	L&S	203003	A78018S	TROS	210945
A69701K	TROS	370004A	A69798K	TROS	370005A	A76005S	TROS	203003	A78019S	TROS	411376
A69702K	TROS	370022A	A7001	MERCM	470189	A76006S	L&S	203003	A78021S	TROS	415449
A69702K	TROS	380022A	A7001	MERCM	471692	A76006S	TROS	203003	A78022S	TROS	417343
A69703K	TROS	370021A	A7018	MERCM	471472	A76008S	L&S	203006	A78023S	L&S	412473
A69705K	TROS	370033A	A7090	CASE	6835S	A76008S	TROS	203006	A78023S	TROS	412473
A69707K	TROS	370030A	A7144	CASE	473227	A76010S	L&S	203008	A78023S	TROS	415894

INTERCHANGE SECTION

COMPETITIVE INTERCHANGES

Mfr No.	Mfr.	National	Mfr No.	Mfr.	National	Mfr No.	Mfr.	National	Mfr No.	Mfr.	National
A78024S	TROS	415725	A80045S	L&S	240735	A805F91	ROCKW	415447	A83013S	L&S	340385
A78026S	TROS	471554	A80045S	TROS	240735	A805F132	ROCKW	471689	A83013S	TROS	340385
A78029S	L&S	471224	A80046S	L&S	240736	A805F135	ROCKW	470764	A83014S	L&S	351267
A78029S	TROS	471224	A80046S	TROS	240736	A805F193	ROCKW	470764	A83014S	L&S	471267
A78031S	TROS	471689	A80049S	L&S	240816	A8072	TIMKE	450765	A83014S	TROS	351267
A78033S	TROS	472164	A80049S	TROS	240816	A81012	TROS	410085	A83014S	TROS	471267
A78034S	TROS	472299	A80050S	TROS	240949	A81012	TROS	470530	A83015S	L&S	340400
A78036S	L&S	471829	A80052S	TROS	471076	A81019	L&S	415836	A83015S	TROS	340400
A78036S	TROS	471829	A800X1190ADA	FORD	224235	A81019	L&S	415995	A83016S	L&S	340413
A78037S	TROS	415003	A805F104	ROCKW	472439	A81019	TROS	415836	A83016S	TROS	340413
A78037S	TROS	415458	A805F108	ROCKW	410308	A81019	TROS	415995	A83018S	TROS	340469
A78038S	TROS	415086N	A805F108	ROCKW	450308	A81021	TROS	417211	A83020S	L&S	340495
A78038S	TROS	417487	A805F110	ROCKW	410825	A81022	TROS	415437	A83020S	TROS	340495
A78039S	L&S	415146	A805F111	ROCKW	410085	A81023	L&S	412473	A83022S	TROS	340724
A78039S	L&S	415991	A805F111	ROCKW	470530	A81023	L&S	415894	A83023S	TROS	340771
A78039S	TROS	415146	A805F118	ROCKW	473238	A81023	TROS	412473	A83024S	L&S	340787
A78039S	TROS	415991	A805F120	ROCKW	410737	A81023	TROS	415894	A83024S	TROS	340787
A78040S	TROS	415984	A805F120	ROCKW	450737	A81044	L&S	473448	A83025S	L&S	340797
A7870	CASE	415036	A805F121	ROCKW	472924	A81044	TROS	473448	A83025S	TROS	340797
A7889	CASE	415036	A805F124	ROCKW	450389	A81045	L&S	471652	A83026S	L&S	340815
A79011P	TROS	410737	A805F124	ROCKW	472492	A81045	TROS	471652	A83026S	TROS	340815
A79012P	L&S	415086N	A805F125	ROCKW	450519	A81051	L&S	291295	A83027S	L&S	340817
A79012P	L&S	417487	A805F125	ROCKW	471271	A81054	L&S	291295	A83027S	TROS	340817
A79012S	TROS	415086N	A805F126	ROCKW	417600	A81054	TROS	291295	A83028S	L&S	340823
A79012S	TROS	417487	A805F134	ROCKW	340853	A81066	TROS	8976S	A83028S	TROS	340823
A79013S	TROS	415984	A805F136	ROCKW	455330	A81066S	L&S	8976S	A83029S	L&S	340835
A79016S	TROS	416404	A805F139	ROCKW	450803	A81067	L&S	370018A	A83029S	TROS	340835
A79017S	TROS	415498	A805F141	ROCKW	417171	A81067	TROS	370018A	A83030S	L&S	340853
A79018S	L&S	35949N	A805F143	ROCKW	471820	A81068	L&S	476470	A83030S	TROS	340853
A79018S	TROS	35949N	A805F144	ROCKW	410102	A81100S	TROS	471267	A83031S	TROS	340872
A7963619	ACF	240736	A805F148	ROCKW	472018	A81101P	L&S	331107N	A83033S	L&S	340900
A80013S	L&S	240009	A805F154	ROCKW	417597	A81101S	TROS	331107N	A83033S	TROS	340900
A80013S	TROS	240009	A805F156	ROCKW	455480	A81102S	L&S	473231	A83034S	TROS	340927
A80016S	L&S	240023	A805F161	ROCKW	415938	A81102S	TROS	473231	A83035S	L&S	340930
A80016S	TROS	240023	A805F165	ROCKW	470565	A81104R	L&S	331227H	A83035S	TROS	340930
A80019S	TROS	240119	A805F167	ROCKW	415371	A81104R	TROS	331227H	A83037S	TROS	341022
A80021S	TROS	240151	A805F169	ROCKW	455186	A81105S	TROS	331228H	A83039S	TROS	345035
A80027S	L&S	240319	A805F173	ROCKW	450489	A81106	L&S	331301N	A83040S	L&S	345146
A80027S	TROS	240319	A805F173	ROCKW	473244	A81106S	L&S	331301N	A83040S	TROS	345146
A80028S	TROS	240356	A805F174	ROCKW	415854	A82139	BENDI	415027	A83041	TMTR	482253
A80031S	L&S	6703S	A805F179	ROCKW	415090	A82139	BENDI	455027	A83161	TMTR	416130
A80031S	TROS	6703S	A805F183	ROCKW	417602	A82170	C-W	472924	A83173	TMTR	416270
A80032S	L&S	240414	A805F187	ROCKW	417570	A82170	STUDE	472924	A84001S	TROS	471413
A80032S	TROS	240414	A805F190	ROCKW	412871	A8225	CASE	471646	A84004S	L&S	350156
A80034S	TROS	240435	A805F190	ROCKW	450329	A828	FMC	340385	A84004S	L&S	473096
A80035S	TROS	240457	A805F191	ROCKW	450867	A83000S	TROS	340009S	A84004S	TROS	350156
A80036S	L&S	240462	A805F191	ROCKW	470898	A83002S	L&S	340136	A84004S	TROS	473096
A80036S	TROS	240462	A805F192	ROCKW	472299	A83002S	TROS	340120	A84005S	L&S	471443
A80037S	L&S	240470	A805F194	ROCKW	455476	A83003S	L&S	340136	A84005S	L&S	481443
A80037S	TROS	240470	A805F195	ROCKW	470565	A83003S	TROS	340136	A84005S	TROS	471443
A80038S	L&S	6597S	A805F199	ROCKW	450090	A83004S	L&S	350954	A84005S	TROS	481443
A80038S	TROS	6597S	A805F201	ROCKW	455251H	A83004S	L&S	470954	A84006S	L&S	471646
A80040S	L&S	240698	A805F205	ROCKW	417555	A83004S	TROS	350954	A84006S	TROS	471646
A80040S	TROS	240698	A805F208	ROCKW	415447	A83004S	TROS	470954	A84007S	TROS	471689
A80041S	L&S	240716	A805F210	ROCKW	415379	A83005S	L&S	340151	A84008S	L&S	481163
A80041S	TROS	240716	A805F215	ROCKW	450362	A83005S	TROS	340151	A84008S	TROS	481163
A80042S	L&S	240731	A805F218	ROCKW	412861	A83010S	TROS	471643	A84009S	TROS	8773S
A80042S	TROS	240731	A805F220	ROCKW	456105	A83011S	L&S	340356	A84011S	L&S	350364
A80044S	L&S	240733	A805F60	ROCKW	417205	A83011S	TROS	340356	A84011S	TROS	350364
A80044S	TROS	240733	A805F69	ROCKW	472439	A83012S	TROS	350364	A84013S	L&S	330385

INTERCHANGE SECTION

COMPETITIVE INTERCHANGES



Mfr No.	Mfr.	National	Mfr No.	Mfr.	National	Mfr No.	Mfr.	National	Mfr No.	Mfr.	National
A84013S	TROS	330385	A85024S	L&S	451143	A86220K	TROS	5116	A86331S	L&S	2655
A84014S	L&S	350394	A85024S	TROS	451143	A86225S	L&S	2146	A86332R	L&S	2658V
A84014S	L&S	473227	A85025R	TROS	451147H	A86225S	TROS	2146	A86333S	L&S	1217
A84014S	TROS	350394	A85036S	TROS	471341	A86227S	TROS	9449	A86334S	L&S	3199
A84014S	TROS	473227	A85037S	L&S	8160S	A86230K	L&S	5072	A86335S	L&S	3214
A84016S	TROS	350414	A85037S	TROS	8160S	A86230K	TROS	5072	A86337S	L&S	2955
A84016S	TROS	472311	A85042P	L&S	470331N	A86232S	L&S	9487	A86339S	L&S	3195
A84019S	TROS	470543	A85042P	TROS	470331N	A86232S	TROS	9487	A86355S	TROS	471689
A84019S	TROS	474272	A85047S	L&S	471195	A86233P	TROS	8460N	A86358P	TROS	473010N
A84020S	L&S	350567	A85047S	L&S	481195	A86237S	TROS	2146	A864	WILYS	40566S
A84020S	L&S	471267	A85047S	TROS	471195	A86255S	L&S	4250	A86423S	TROS	471442
A84020S	TROS	350567	A85047S	TROS	481195	A86255S	TROS	4250	A86424	TROS	471442
A84020S	TROS	471267	A85051P	L&S	475368N	A86256S	L&S	9864S	A86426S	TROS	471526
A84021S	L&S	350823	A85061S	L&S	470712	A86256S	TROS	9864S	A86429S	TROS	471526
A84021S	L&S	473454	A85072S	TROS	472258	A86257K	L&S	370047A	A86430S	TROS	471526
A84021S	TROS	350823	A85073S	L&S	471827	A86258S	L&S	410085	A86431	TROS	471526
A84021S	TROS	473454	A85080R	L&S	2218	A86258S	L&S	470530	A86440S	TROS	471530
A84022S	TROS	473424	A85080R	TROS	2218	A86283S	L&S	415001	A86447S	TROS	472705
A84023S	L&S	471765	A86022	L&S	5M81	A86284S	L&S	415009	A86449S	TROS	471281
A84023S	TROS	471765	A86022	TROS	5M81	A86284S	L&S	415960	A86464S	TROS	471466
A84024S	L&S	350909	A86029	L&S	5M89	A86285P	L&S	415013N	A86466S	TROS	471466
A84024S	L&S	471224	A86029	TROS	5M89	A86285P	L&S	415995V	A86468S	TROS	351466
A84024S	TROS	350909	A86072	L&S	5M289	A86285S	L&S	415013N	A86468S	TROS	471466
A84024S	TROS	471224	A86072	TROS	5M289	A86285S	L&S	415995V	A86470	TROS	471466
A84025S	L&S	473241	A86073	L&S	5M293	A86285S	TROS	415836	A86471S	TROS	471466
A84025S	TROS	473241	A86073	TROS	5M293	A86285S	TROS	415995	A86473S	TROS	471264
A84026S	L&S	350936	A86090	TROS	370002A	A86286S	L&S	415146	A86475S	TROS	471264
A84026S	TROS	350936	A86098	L&S	5M403	A86286S	L&S	415991	A86477S	TROS	471255
A84028A	TROS	350974	A86098	TROS	5M403	A86287P	L&S	415272N	A86479S	TROS	471564
A84028S	L&S	350974	A86120	L&S	5M466	A86287S	L&S	415272N	A86484S	TROS	481528
A84030S	TROS	351028	A86120	TROS	5M466	A86287S	TROS	416706	A86486S	TROS	481397
A84033S	L&S	415082	A86135	TROS	370002A	A86289S	TROS	472397	A86487S	TROS	481397
A84033S	TROS	415082	A86144	TROS	5M643	A86290S	TROS	470605	A86495S	TROS	471538
A84034S	TROS	416271	A86177	L&S	5MR71	A86291S	TROS	471344	A86497S	TROS	471538
A84035S	TROS	416888	A86177	TROS	5MR71	A86293S	TROS	471763	A86500S	TROS	471553
A84036S	TROS	417350	A86178	L&S	5MR1008	A86297S	TROS	416273	A86501S	TROS	471553
A84036S	TROS	455479	A86178	TROS	5MR1008	A86303S	L&S	2689S	A86514S	TROS	470954
A84038S	L&S	355732	A86179	L&S	5MR1009	A86303S	TROS	2689S	A86517S	TROS	470954
A84038S	TROS	355732	A86179	TROS	5MR1009	A86307K	L&S	5095	A86523S	TROS	471554
A84040S	L&S	327303	A86184	L&S	5MR1300	A86308	L&S	471466	A86530S	TROS	471567
A84040S	TROS	327303	A86184	TROS	5MR1300	A86310	L&S	471646	A86532S	TROS	471567
A84058S	L&S	412119	A86203S	L&S	6936S	A86310	TROS	471646	A86540S	TROS	471643
A84058S	L&S	472856	A86203S	TROS	9845	A86312	TROS	471413	A86541	TROS	471643
A84833	CATER	J1128	A86204S	L&S	9406S	A86313	TROS	471413	A86554	TROS	481443
A84833	TMTR	J1128	A86206S	TROS	9487	A86314	TROS	5131	A86555S	TROS	481443
A85001S	TROS	470898	A86207P	L&S	3604	A86315	L&S	5115	A86562	TROS	481644
A85004S	TROS	415003	A86207S	TROS	3604	A86315	TROS	470625	A86564S	TROS	481644
A85004S	TROS	415458	A86208S	L&S	9363S	A86317	TROS	350936	A86573S	TROS	471539
A85005S	TROS	417344	A86209S	L&S	9912	A86317S	L&S	350936	A86575S	TROS	471539
A85007S	TROS	415027	A86209S	TROS	9912	A86318	TROS	5121	A86579S	TROS	471231
A85010S	TROS	417357	A86210S	L&S	5123	A86318S	L&S	5121	A86581	TROS	471231
A85011P	L&S	415983N	A86210S	TROS	5123	A86320	L&S	410308	A86584	TROS	471686
A85011P	TROS	415983N	A86211S	L&S	5109	A86320	TROS	410308	A86597S	TROS	471267
A85012S	TROS	442109	A86211S	TROS	5109	A86321	TROS	416273	A86598S	TROS	471267
A85015S	L&S	203006	A86215K	TROS	5092	A86323	TROS	417487	A86605	TROS	471570
A85015S	TROS	203006	A86216K	L&S	5111S	A86323	TROS	455086	A86606S	TROS	470680
A85016S	L&S	441130	A86216K	TROS	5111S	A86325K	L&S	5117	A86606S	TROS	471570
A85017S	L&S	441319	A86219K	L&S	5108	A86325K	TROS	5117	A86607S	TROS	471570
A85017S	TROS	441319	A86219K	TROS	5095	A86328S	L&S	3087	A86614S	TROS	471633
A85019S	TROS	410312N	A86220K	L&S	5116	A86330S	L&S	5113	A86616	TROS	471646

INTERCHANGE SECTION

COMPETITIVE INTERCHANGES

Mfr No.	Mfr.	National	Mfr No.	Mfr.	National	Mfr No.	Mfr.	National	Mfr No.	Mfr.	National
A86624	TROS	471571	A86973S	TROS	473451	A87245	TROS	455031	A95300	AM CA	416654
A86626	TROS	472324	A87011	TROS	450094	A87246S	TROS	416345	A95300	AM CA	455012
A86627	TROS	472324	A87011	TROS	473462	A87246S	TROS	455033	A95301	AM CA	472560N
A86628	TROS	472324	A87012	TROS	450965	A87249	TROS	45187S	A95301	AM CA	50151S
A86629	TROS	472324	A87014	TROS	417474	A87253S	TROS	471472	A958	WILYS	450185
A86643	TROS	471224	A87025S	TROS	6703S	A87256S	TROS	455194	A958	WILYS	473229
A86644S	TROS	471224	A87027	TROS	472082	A87259	TROS	455195	A9733051	KELSE	45031S
A86645S	TROS	471224	A87028	TROS	450083	A87259	TROS	472157	A974	WILYS	471466
A86647S	TROS	471224	A87028	TROS	472924	A87265S	TROS	6597S	A9AZ7288A	FORD	340797
A86650S	TROS	471224	A87030S	TROS	472397	A87267	TROS	416888	A9LY7052A	FORD	7300S
A86652	TROS	471224	A87031	TROS	40301S	A87275	TROS	415725	A9LY7052B	FORD	473235
A86654S	TROS	471270	A87038	TROS	473464	A87277S	TROS	416865	AA0462E	NOK	471549
A86657S	TROS	471649	A87051	TROS	5756	A87292	TROS	240319	AA0462E0	NOK	471549
A86659	TROS	471649	A87054	TROS	41013S	A87293S	TROS	350954	AA10570	JOHND	45013S
A86660S	TROS	471649	A87064	TROS	470308N	A87293S	TROS	470954	AA1175A	FORD	415960
A86670S	TROS	471733	A87071	TROS	473471	A87294S	TROS	471643	AA1175A	FORD	455009
A86674S	TROS	471744	A87076S	TROS	341022	A87295S	TROS	471643	AA1175AR	FORD	455008
A86676S	TROS	471760	A87084S	TROS	471272	A87300S	TROS	40395	AA1430E	NOK	471649
A86677S	TROS	471760	A87087S	TROS	471341	A87300S	TROS	40395S	AA1443B	OLIVE	417356
A86689	TROS	480210	A87094	TROS	411253	A87301S	TROS	352354	AA1443B	OLIVE	455188
A86705S	TROS	471652	A87094	TROS	450099	A87301S	TROS	472354	AA1443C	OLIVE	455195
A86706S	TROS	471652	A87098S	TROS	442874	A87303S	TROS	471827	AA1443C	OLIVE	472157
A86710S	TROS	471692	A87114S	TROS	40101S	A87313S	TROS	340853	AA1443E	NOK	471733
A86712	TROS	471692	A87128S	TROS	40337S	A87339S	TROS	340151	AA1443E0	NOK	471733
A86717S	TROS	471763	A87131S	TROS	472029	A87367S	TROS	472705	AA15M200	CONTI	343185
A86718	TROS	472681	A87138S	TROS	470605	A87369S	TROS	7188S	AA15M201	CONTI	471267
A86718	TROS	473259	A87139S	TROS	415449	A87372S	TROS	350954	AA15M202	CONTI	343185
A86725S	TROS	470328	A87139S	TROS	455147	A87372S	TROS	470954	AA1841F	NOK	410163
A86725S	TROS	481213	A87142	TROS	415001	A87373S	TROS	470954	AA1841F	NOK	471766
A86728S	TROS	472475	A87142	TROS	455001	A87373S	TROS	6835S	AA1841F0	NOK	410163
A86741S	TROS	471413	A87146	TROS	416273	A87918	TMTR	470712	AA1841F0	NOK	471766
A86743S	TROS	471737	A87156S	TROS	451143	A8926	CASE	415988	AA1999E	NOK	472354
A86747S	TROS	471750	A87159	TROS	413248	A8926X	CASE	415988	AA1999E	NOK	50395S
A86749S	TROS	200338	A87161	TROS	417079	A89569	US-EL	470064	AA2085F	NOK	223540
A86750S	TROS	471766	A87164	TROS	415458	A89569	US-EL	471821	AA2276E	NOK	473227
A86760S	TROS	471787	A87164	TROS	455003	A89570	US-EL	473179	AA2276E0	NOK	473227
A86774S	TROS	473210	A87189S	TROS	475012N	A8Q7274A	FORD	471231	AA2291E	NOK	471344
A86776	TROS	473210	A87190S	TROS	475012N	A8TZ1175A	FORD	410987	AA2291E0	NOK	471344
A86790S	TROS	352354	A87205	TROS	416404	A8TZ1175B	FORD	410987	AA2293E	NOK	473228
A86790S	TROS	472354	A87207	TROS	370046A	A8TZ1175B	FORD	470987	AA2293E0	NOK	473228
A86795	TROS	472258	A87214	TROS	476470	A90830	CATER	470712	AA2296R	JOHND	472287
A86797S	TROS	470380	A87217	TROS	418028	A90830	TMTR	470712	AA2342Y	NOK	224052
A86799S	TROS	471192	A87217	TROS	455137	A912542	FALKC	413247	AA2342Y0	NOK	224052
A86803S	TROS	471192	A87218S	TROS	418028	A912542	FALKC	450350	AA2464E	NOK	471419
A86819	TROS	450444	A87218S	TROS	455137	A91615	TMTR	471737	AA2464E	NOK	473367
A86819	TROS	471835	A87219	TROS	418028	A92842	OLIVE	417316	AA2464E0	NOK	471419
A86850	TROS	470358	A87219	TROS	455137	A9288	BUTBN	40337S	AA2464E0	NOK	473367
A86850	TROS	473231	A87220	TROS	416292	A95018	AM CA	450070	AA2580E	NOK	473237
A86865	TROS	291099	A87221	TROS	415085	A95018	AM CA	472185	AA2580E0	NOK	473237
A86866	TROS	470487N	A87221	TROS	456648	A95123	AM CA	415449	AA2593E	NOK	450361
A86875S	TROS	472299	A87224	TROS	417191	A95123	AM CA	455147	AA2593E	NOK	472193
A86888S	TROS	481181	A87224	TROS	455165	A95155	AM CA	417073	AA2593E0	NOK	450361
A86888S	TROS	481181N	A87225S	TROS	416327	A95161	AM CA	473227	AA2593E0	NOK	472193
A86914S	TROS	473234	A87232S	TROS	415991	A95166	AM CA	471868	AA2599E	NOK	472179
A86928S	TROS	340400	A87232S	TROS	415991N	A95169	AM CA	417344	AA2599E0	NOK	472179
A86931	TROS	450400	A87233S	TROS	415991	A95169	AM CA	455006	AA2773E	NOK	224820
A86956	TROS	450183	A87233S	TROS	415991N	A95213	AM CA	415984	AA2773E0	NOK	224820
A86956	TROS	472179	A87235	TROS	55028	A95215	AM CA	450082	AA2773Y0	NOK	224820
A86962S	TROS	450291	A87242	TROS	416919N	A95215	AM CA	473238	AA2847Y0	NOK	225020
A86962S	TROS	471141	A87245	TROS	416339	A95296	AM CA	471705	AA2928E	NOK	410085N

INTERCHANGE SECTION

COMPETITIVE INTERCHANGES



Mfr No.	Mfr. National	Mfr No.	Mfr. National	Mfr No.	Mfr. National	Mfr No.	Mfr. National
AA2928E0	NOK 410085N	AA4183E0	NOK 416891	AA7412E	NOK 476470	AA8020E	NOK 413246N
AA2929E	NOK 450085	AA4245AR	FORD 450066	AA7412E0	NOK 476470	AA8020E0	NOK 413246
AA2929E	NOK 470530	AA4245AR	FORD 473367	AA7594E	NOK 410316	AA8020E0	NOK 413246N
AA2934E	NOK 472397	AA4432E1	NOK 417541	AA7594E	NOK 472636	AA8022E	NOK 474255
AA2934E0	NOK 472397	AA4525F	NOK 416107	AA7594E0	NOK 410316	AA8022E0	NOK 474255
AA2942E	NOK 410102	AA4686	FORD 471750	AA7594E0	NOK 472636	AA8056E	NOK 453165
AA2942E0	NOK 410102	AA4700	FORD 470077	AA7600E	NOK 471870	AA8056E	NOK 471619
AA2990F	NOK 340900	AA4700	FORD 474281	AA7600E	NOK 471883	AA8056E0	NOK 453165
AA2990F0	NOK 340900	AA4700R	FORD 470077	AA7600E0	NOK 471870	AA8056E0	NOK 471619
AA2994F	NOK 470898	AA4700R	FORD 474281	AA7600E0	NOK 471883	AA8061E	NOK 412920
AA2994F0	NOK 470898	AA487R	JOHND 416282	AA7601E	NOK 473517	AA8061E0	NOK 412920
AA3001E	NOK 410308	AA502R	JOHND 455018	AA7601E0	NOK 473517	AA8072E	NOK 471567
AA3001E0	NOK 410308	AA502R	JOHND 476470	AA7602E	NOK 471192	AA8072E0	NOK 471567
AA3132E	NOK 411253	AA505	JOHND 455018	AA7602E0	NOK 471192	AA8098E	NOK 226285
AA3132E0	NOK 411253	AA505	JOHND 476470	AA7603E	NOK 450492	AA8098E0	NOK 226285
AA3132G	NOK 411253	AA506	JOHND 416282	AA7603E0	NOK 450492	AA8222E	NOK 455006N
AA3132G0	NOK 411253	AA510R	JOHND 417316	AA7624E	NOK 416404	AA8222E0	NOK 455006N
AA3257E	NOK 412119	AA510R	JOHND 455004	AA7624E0	NOK 416404	AA8223E	NOK 455858
AA3257E0	NOK 412119	AA520	JOHND 417316	AA7626E	NOK 417159	AA8223E0	NOK 455858
AA3262E	NOK 410686N	AA520	JOHND 455004	AA7626E0	NOK 417159	AA8360E	NOK 471692
AA3262E0	NOK 410686N	AA5247R	JOHND 472560N	AA7652E	NOK 450083	AA8360E0	NOK 471692
AA3266E	NOK 415857	AA5247R	JOHND 50151S	AA7652E	NOK 472924	AA8376E	NOK 55337
AA3266E0	NOK 415857	AA5506R	JOHND 450519	AA7652E0	NOK 450083	AA8376E0	NOK 55337
AA3267F	NOK 410825	AA5506R	JOHND 471271	AA7652E0	NOK 472924	AA8440E	NOK 482041N
AA3267F0	NOK 410825	AA5607R	JOHND 240731	AA7652F	NOK 450083	AA8440E0	NOK 482041N
AA3333Z1	NOK 472029	AA5613	JOHND 471267	AA7652F	NOK 472924	AA8511E	NOK 415960
AA3339E	NOK 450519	AA5613R	JOHND 471267	AA7652F0	NOK 450083	AA8511E0	NOK 415960
AA3339E	NOK 471271	AA620A	GAL 416271	AA7652F0	NOK 472924	AA8524E	NOK 473258
AA3339E0	NOK 450519	AA620A	HOUGH 416271	AA7681E	NOK 450593	AA8524E0	NOK 473258
AA3339E0	NOK 471271	AA620A	OLIVE 416271	AA7681E0	NOK 450593	AA8531E	NOK 415234
AA3346E	NOK 415147N	AA6605R	JOHND 450867	AA7687E	NOK 417474	AA8531E0	NOK 415234
AA3346E0	NOK 415147N	AA6605R	JOHND 470898	AA7687E0	NOK 417474	AA8586E	NOK 455251H
AA3349E	NOK 415449	AA6606R	JOHND 450519	AA7711E	NOK 471750	AA8586E0	NOK 455251H
AA3349E0	NOK 415449	AA6606R	JOHND 471271	AA7711E0	NOK 471750	AA8739E	NOK 471643
AA3357E	NOK 455079	AA6732Y0	NOK 1950	AA7723E	NOK 415254	AA8739E0	NOK 471643
AA3357E0	NOK 455079	AA6922E	NOK 471733	AA7723E0	NOK 415254	AA8765E	NOK 471419
AA3439G	NOK 415458	AA7032F	NOK 470059	AA7820E	NOK 416271	AA8765E	NOK 473367
AA3439G0	NOK 415458	AA7032F	NOK 470380	AA7820E0	NOK 416271	AA8765E0	NOK 471419
AA3479E	NOK 416664	AA7032F0	NOK 470059	AA7853E	NOK 417357	AA8765E0	NOK 473367
AA3479E	NOK 455364	AA7032F0	NOK 470380	AA7853E	NOK 455192	AA8768E	NOK 416154
AA3487E	NOK 416282	AA7075E	NOK 470328	AA7865E	NOK 450621	AA8768E0	NOK 416154
AA3487E0	NOK 416282	AA7075E	NOK 481213	AA7865E0	NOK 450621	AAA065A0	NOK 710278
AA3606	DIA 455189	AA7075E0	NOK 470328	AA7914E	NOK 416125	AAA065A	NOK 710278
AA3654E	NOK 100495	AA7075E0	NOK 481213	AA7914E0	NOK 416125	AAA981	MG 473234
AA3654E	NOK 415281N	AA7304E	NOK 473214	AA7B237	CONTI 471267	AAL0088	LEYLD 370003A
AA3654E0	NOK 100495	AA7304E0	NOK 473214	AA7C200	CONTI 481443	AAX29789	JOHND 471267
AA3654E0	NOK 415281N	AA7305E	NOK 412028	AA7C204	CONTI 417267	AAX43052	JOHND 472287
AA3665F	NOK 415836	AA7305E0	NOK 412028	AA8006E	NOK 470189	AAX82739	JOHND 470045
AA3665F	NOK 415995	AA7323E	NOK 470950	AA8006E	NOK 471692	AAX82739	JOHND 476838
AA3665F0	NOK 415836	AA7323E0	NOK 470950	AA8006E0	NOK 470189	AAX87908	JOHND 40395
AA3665F0	NOK 415995	AA7325E	NOK 40389S	AA8006E0	NOK 471692	AAX87908	JOHND 40395S
AA3665FA	NOK 415995	AA7325E0	NOK 40389S	AA8007E	NOK 473215	AAX90840	JOHND 472560N
AA3665FA	NOK 455013	AA7326E	NOK 321516	AA8007E0	NOK 473215	AAX90840	JOHND 50151S
AA3738R	JOHND 470027	AA7326E	NOK 471516	AA8007F	NOK 473215	AAX92035	JOHND 472070
AA3738R	JOHND 471554	AA7326E0	NOK 321516	AA8007F0	NOK 473215	AAX92755	JOHND 5872S
AA3796E	NOK 476470	AA7326E0	NOK 471516	AA8012E	NOK 410496	AAX92789	JOHND 471267
AA3796E0	NOK 476470	AA7373E	NOK 473458	AA8012E0	NOK 410496	AB0067E	NOK 350435
AA4085F0	NOK 710278	AA7373E0	NOK 473458	AA8019E	NOK 410102	AB0067E0	NOK 350435
AA4085F	NOK 710278	AA7411E	NOK 456105	AA8019E0	NOK 410102	AB0223E	NOK 330385
AA4183E	NOK 416891	AA7411E0	NOK 456105	AA8020E	NOK 413246	AB0223E0	NOK 330385

INTERCHANGE SECTION

COMPETITIVE INTERCHANGES

Mfr No.	Mfr.	National	Mfr No.	Mfr.	National	Mfr No.	Mfr.	National	Mfr No.	Mfr.	National
AB0224G	NOK	330385	AB0909F0	NOK	350954	AB1315E0	NOK	222540	AB1815E	NOK	343186
AB0224G0	NOK	330385	AB0909F0	NOK	470954	AB13C200	CONTI	471267	AB1826E	NOK	471413
AB0327E	NOK	6863S	AB0909F1	NOK	470954V	AB13C201	CONTI	471466	AB1826E0	NOK	471413
AB0327E0	NOK	6863S	AB0913E	NOK	470954	AB13S204	CONTI	350364	AB1830E	NOK	471413
AB0450E	NOK	471442	AB0913E	NOK	480954	AB1402E	NOK	252277	AB1832F	NOK	471737
AB0450E0	NOK	471442	AB0913E0	NOK	470954	AB1402E0	NOK	252277	AB1832F0	NOK	471737
AB0456F	NOK	471526	AB0913E0	NOK	480954	AB1403E	NOK	252277	AB1832F1	NOK	471737
AB0456F0	NOK	471526	AB0913F	NOK	470954	AB1403E0	NOK	252277	AB1838E	NOK	471766
AB0456G	NOK	471526	AB0913F	NOK	480954	AB1403E1	NOK	252277	AB1838E0	NOK	471766
AB0456G0	NOK	471526	AB0913F0	NOK	470954	AB1408E	NOK	350414	AB1850E	NOK	471801
AB0462E	NOK	471549	AB0913F0	NOK	480954	AB1408E	NOK	472311	AB1850E1	NOK	471801
AB0462E0	NOK	471549	AB0913G	NOK	470954	AB1408E0	NOK	350414	AB1880E0	NOK	223230
AB0514E	NOK	221410	AB0913G	NOK	480954	AB1408E0	NOK	472311	AB1880E	NOK	223230
AB0514E0	NOK	221410	AB0913G0	NOK	470954	AB1410E2	NOK	471224V	AB1884E0	NOK	223235
AB0545E	NOK	472705	AB0913G0	NOK	480954	AB1410F	NOK	471224	AB1884E	NOK	223235
AB0552F	NOK	472705	AB0915F	NOK	6835S	AB1410F0	NOK	471224	AB1894E	NOK	223240
AB0598E	NOK	221540	AB0923F	NOK	471554	AB1411E	NOK	470553	AB1894E0	NOK	223240
AB0598E0	NOK	221540	AB0923F0	NOK	471554	AB1411E	NOK	471224	AB1902E	NOK	223255
AB0645F	NOK	471466	AB0923H0	NOK	471554	AB1411E0	NOK	470553	AB1902E0	NOK	223255
AB0645F0	NOK	471466	AB0938E	NOK	471643	AB1411E0	NOK	471224	AB1904E	NOK	1167
AB0654E	NOK	471264	AB0938E0	NOK	471643	AB1426E	NOK	471270	AB1904E0	NOK	1167
AB0654E0	NOK	471264	AB0997E	NOK	222020	AB1426E0	NOK	471270	AB1990E0	NOK	482163
AB0654F	NOK	471264	AB0997E0	NOK	222020	AB1427E	NOK	471270	AB1990E	NOK	482163
AB0654F0	NOK	471264	AB1012E	NOK	222030	AB1427E0	NOK	471270	AB1990E	NOK	482163N
AB0657E	NOK	471255	AB1012E0	NOK	222030	AB1468E	NOK	471076	AB2005E	NOK	472258
AB0657E0	NOK	471255	AB1013E	NOK	222030	AB1468E0	NOK	471076	AB2005E0	NOK	472258
AB0685E	NOK	221610	AB1013E0	NOK	222030	AB1486E	NOK	481650	AB2012F	NOK	482576N
AB0685E0	NOK	221610	AB1029E	NOK	222050	AB1486E0	NOK	481650	AB2012F0	NOK	482576N
AB0712E	NOK	481073	AB1029E0	NOK	222050	AB1538E	NOK	222820	AB2041F0	NOK	223510
AB0712E0	NOK	481073	AB1030E	NOK	222050	AB1538E0	NOK	222820	AB2041F	NOK	223510
AB0721E	NOK	481481	AB1030E0	NOK	222050	AB1598E	NOK	3638	AB2056E	NOK	223520
AB0721E0	NOK	481481	AB1172E	NOK	7840S	AB1598E	NOK	471652	AB2056E0	NOK	223520
AB0722F	NOK	481481	AB1172E0	NOK	7840S	AB1598E0	NOK	3638	AB2057G	NOK	223520
AB0722F0	NOK	481481	AB1172F	NOK	7840S	AB1598E0	NOK	471652	AB2057G0	NOK	223520
AB0736F0	NOK	221710	AB1172F0	NOK	7840S	AB1600G	NOK	471652	AB2066E	NOK	223535
AB0736F	NOK	221710	AB1181E	NOK	471267	AB1600G0	NOK	471652	AB2066E0	NOK	223535
AB0742G0	NOK	221720	AB1181E0	NOK	471267	AB1610E	NOK	476838	AB2069E	NOK	223535
AB0742G	NOK	221720	AB1181F	NOK	471267	AB1610E0	NOK	476838	AB2069E0	NOK	223535
AB0751E	NOK	221730	AB1181F0	NOK	471267	AB1617E	NOK	471763	AB2085F	NOK	223542
AB0751E0	NOK	221730	AB1182F	NOK	470567N	AB1617E0	NOK	471763	AB2085F0	NOK	223542
AB0764E0	NOK	450536	AB1182F0	NOK	470567N	AB1673E0	NOK	223012	AB2162E	NOK	223605
AB0764E0	NOK	471535	AB1184G	NOK	350567	AB1673E	NOK	223012	AB2162E0	NOK	223605
AB0764E	NOK	450536	AB1184G	NOK	471267	AB1679G	NOK	223014	AB2164E	NOK	223605
AB0764E	NOK	471535	AB1184G0	NOK	350567	AB1679G0	NOK	223014	AB2164E0	NOK	223605
AB0788E	NOK	450025	AB1184G0	NOK	471267	AB1682E	NOK	223014	AB2231E0	NOK	223830
AB0788E	NOK	471553	AB1192E	NOK	471633	AB1682E0	NOK	223014	AB2231E	NOK	223830
AB0788E1	NOK	450025	AB1192E0	NOK	471633	AB1724E	NOK	223035	AB2239E	NOK	223840
AB0788E1	NOK	471553	AB1194E	NOK	471646	AB1724E0	NOK	223035	AB2239E0	NOK	223840
AB0816E	NOK	221820	AB1194E0	NOK	471646	AB1770F	NOK	472475	AB2253720	IH	471466
AB0816E0	NOK	221820	AB1232E	NOK	471571	AB1770F0	NOK	472475	AB2267E	NOK	474276
AB0817E	NOK	221820	AB1232E0	NOK	471571	AB1776F	NOK	470328	AB2267E0	NOK	474276
AB0817E0	NOK	221820	AB1274E	NOK	471648	AB1776F	NOK	481213	AB2278F	NOK	473227
AB0896E	NOK	254270	AB1274E0	NOK	471648	AB1776F0	NOK	470328	AB2281G	NOK	470548
AB0896E	NOK	7750	AB1306E	NOK	222535	AB1776F0	NOK	481213	AB2281G	NOK	470625
AB0896E0	NOK	254270	AB1306E0	NOK	222535	AB1779E	NOK	471765	AB2281G0	NOK	470548
AB0896E0	NOK	7750	AB1307E	NOK	222535	AB1779E0	NOK	471765	AB2281G0	NOK	470625
AB0898E	NOK	7750	AB1307E0	NOK	222535	AB178	JOHND	411253	AB2298E	NOK	470077
AB0898E0	NOK	7750	AB1314F	NOK	222540	AB178	JOHND	450099	AB2298E	NOK	474281
AB0909F	NOK	350954	AB1314F0	NOK	222540	AB1783E	NOK	471354	AB2298E0	NOK	470077
AB0909F	NOK	470954	AB1315E	NOK	222540	AB1783E0	NOK	471354	AB2298E0	NOK	474281

INTERCHANGE SECTION

COMPETITIVE INTERCHANGES



Mfr No.	Mfr. National	Mfr No.	Mfr. National	Mfr No.	Mfr. National	Mfr No.	Mfr. National
AB2343E0	NOK 224010	AB2853F	NOK 710649	AB3519G0	NOK 227045	AB4262E0	NOK 416892
AB2343E	NOK 224010	AB2861E	NOK 225030	AB3537F	NOK 416921	AB4269E	NOK 415351
AB2361G	NOK 224020	AB2861E0	NOK 225030	AB3537F0	NOK 416921	AB4269E2	NOK 415351
AB2361G0	NOK 224020	AB2864G	NOK 225030	AB3573E	NOK 416921	AB4362E	NOK 415138
AB2375E	NOK 224040	AB2864G0	NOK 225030	AB3618H0	NOK 227550	AB4362E0	NOK 415138
AB2375E0	NOK 224040	AB2888E	NOK 225050	AB3664E	NOK 415836	AB4413E	NOK 417273
AB2379F	NOK 224020	AB2888E0	NOK 225050	AB3664E	NOK 415995	AB4413E3	NOK 417273
AB2379F0	NOK 224020	AB2913E	NOK 471424	AB3664E0	NOK 415836	AB4471X	NOK 416557
AB2386E	NOK 224045	AB2913E0	NOK 471424	AB3664E0	NOK 415995	AB4471X0	NOK 416557
AB2386E0	NOK 224045	AB2919E	NOK 472492	AB3665E	NOK 415836	AB4649E	NOK 415072
AB2388F	NOK 224045	AB2919E0	NOK 472492	AB3665E	NOK 415995	AB4649E0	NOK 415072
AB2388F0	NOK 224045	AB2922F	NOK 450389	AB3665E0	NOK 415836	AB4764E	NOK 416229
AB2390H0	NOK 224045	AB2922F	NOK 472492	AB3665E0	NOK 415995	AB4764E0	NOK 416229
AB2459E	NOK 473231	AB2922F0	NOK 450389	AB3705E	NOK 416011	AB4835E	NOK 455584
AB2459E0	NOK 473231	AB2922F0	NOK 472492	AB3705E	NOK 417621	AB4835E0	NOK 455584
AB2469E	NOK 474216	AB2931E	NOK 472397	AB3705E0	NOK 416011	AB5035E	NOK 415551
AB2469E0	NOK 474216	AB2931E0	NOK 472397	AB3705E0	NOK 417621	AB5035E0	NOK 415551
AB2481Y	NOK 1180	AB2934F	NOK 472397	AB3708E	NOK 416288	AB5070R	JOHND 410496
AB2481Y0	NOK 1180	AB2934F0	NOK 472397	AB3708E0	NOK 416288	AB5160R	JOHND 417158
AB2483E0	NOK 224210	AB2955	NOK 1955	AB3732E	NOK 228010	AB6764E	NOK 8704S
AB2483E	NOK 224210	AB2955H0	NOK 1955	AB3744H0	NOK 228020	AB6819E	NOK 340853
AB2493E	NOK 1953	AB2955I0	NOK 1955	AB3777X	NOK 455336	AB6819E0	NOK 340853
AB2493E0	NOK 1953	AB2955H	NOK 1955	AB3777X1	NOK 455336	AB6922E	NOK 471733
AB2504E	NOK 224255	AB2955I	NOK 1955	AB3796E	NOK 415304	AB6922E0	NOK 471733
AB2504E0	NOK 224255	AB2994E	NOK 470898	AB3796E	NOK 476470	AB6922F	NOK 471733
AB2507E	NOK 224255	AB2994E0	NOK 470898	AB3796E0	NOK 415304	AB6922F0	NOK 471733
AB2507E0	NOK 224255	AB3040G	NOK 225530	AB3796E0	NOK 476470	AB6957E	NOK 480889
AB25252027	IH 472299	AB3040G0	NOK 225530	AB3809E	NOK 417352	AB7017E	NOK 472705
AB2525203	IH 412871	AB3135E	NOK 412920	AB3809E	NOK 418028	AB7017E0	NOK 472705
AB2525203	IH 450329	AB3135E0	NOK 412920	AB3809E0	NOK 417352	AB7079E	NOK 416273
AB2525304	IH 410059	AB3148E0	NOK 225875	AB3809E0	NOK 418028	AB7079E0	NOK 416273
AB2525304	IH 470380	AB3148E	NOK 225875	AB3842H0	NOK 228520	AB7080E	NOK 473228
AB2569E	NOK 474216	AB3165E	NOK 410694	AB3891F	NOK 415991	AB7080E0	NOK 473228
AB2569E0	NOK 474216	AB3253E	NOK 470565	AB3891F	NOK 455146	AB7095E	NOK 472164
AB2578	JOHND 476838	AB3253E0	NOK 470565	AB3891F0	NOK 415991	AB7095E0	NOK 472164
AB2594E	NOK 470334	AB3267E	NOK 410825	AB3891F0	NOK 455146	AB7109E	NOK 471341
AB2594E0	NOK 470334	AB3267E0	NOK 410825	AB3963E	NOK 415937	AB7109E0	NOK 471341
AB2600E	NOK 471141	AB3297E	NOK 226285	AB3963E0	NOK 415937	AB7127E	NOK 471795
AB2600E0	NOK 471141	AB3297E0	NOK 226285	AB4017F	NOK 415379	AB7127E0	NOK 471795
AB2614E	NOK 224520	AB3336E	NOK 471271	AB4017F0	NOK 415379	AB7128E	NOK 471750
AB2614E0	NOK 224520	AB3336E0	NOK 471271	AB4020E	NOK 416339	AB7128E0	NOK 471750
AB2643F	NOK 224520	AB3338E	NOK 471271	AB4020E0	NOK 416339	AB7138E	NOK 471255
AB2643F0	NOK 224520	AB3338E0	NOK 471271	AB4037E	NOK 416345	AB7138E0	NOK 471255
AB2651F	NOK 1012N	AB3347F	NOK 415449	AB4037E0	NOK 416345	AB7153E	NOK 471272
AB2651F0	NOK 1012N	AB3347F0	NOK 415449	AB4063A0	NOK 231003	AB7153E0	NOK 471272
AB2652E	NOK 1012N	AB3352E	NOK 415001	AB4109E	NOK 415035	AB7166E	NOK 471570
AB2652E0	NOK 1012N	AB3352E	NOK 455001	AB4109E	NOK 415953	AB7166E0	NOK 471570
AB2753E	NOK 472439	AB3395E	NOK 226520	AB4109E0	NOK 415035	AB7175E	NOK 471192
AB2753E0	NOK 472439	AB3395E0	NOK 226520	AB4109E0	NOK 415953	AB7175E0	NOK 471192
AB2775G0	NOK 710320	AB3409F	NOK 226530	AB4116F	NOK 417356	AB718	JOHND 411253
AB2775G	NOK 710320	AB3409F0	NOK 226530	AB4116F0	NOK 417356	AB718	JOHND 450099
AB2788E	NOK 1994	AB3446E	NOK 417082	AB4180E	NOK 415196	AB7270E	NOK 481181
AB2788E0	NOK 1994	AB3446E0	NOK 417082	AB4180E0	NOK 415196	AB7270E0	NOK 481181
AB2791E	NOK 1994	AB3478F	NOK 416664	AB4184E	NOK 415045	AB7282E	NOK 416135
AB2791E0	NOK 1994	AB3478F0	NOK 416664	AB4184E2	NOK 415045	AB7282E0	NOK 416135
AB2838E	NOK 225010	AB3487E	NOK 416282	AB4228E	NOK 416380	AB7345E	NOK 472397
AB2838E0	NOK 225010	AB3487E0	NOK 416282	AB4228E0	NOK 416380	AB7358E1	NOK 471539
AB2853F0	NOK 710649	AB3513E0	NOK 227040	AB4255F	NOK 416888	AB7368E	NOK 481163
AB2853E	NOK 1960	AB3513E	NOK 227040	AB4255F0	NOK 416888	AB7368E0	NOK 481163
AB2853E0	NOK 1960	AB3519G	NOK 227045	AB4262E	NOK 416892	AB7375E	NOK 352560

INTERCHANGE SECTION

COMPETITIVE INTERCHANGES

Mfr No.	Mfr.	National	Mfr No.	Mfr.	National	Mfr No.	Mfr.	National	Mfr No.	Mfr.	National
AB7375E	NOK	472560N	AB7774E	NOK	473213	AB7806E	NOK	472394	AB7838E	NOK	416294
AB7375E0	NOK	352560	AB7775E	NOK	473214	AB7806E0	NOK	472394	AB7838E0	NOK	416294
AB7375E0	NOK	472560N	AB7775E0	NOK	473214	AB7807E	NOK	6936S	AB7840E	NOK	417191
AB7391E	NOK	6863S	AB7776E	NOK	473215	AB7807E0	NOK	6936S	AB7840E0	NOK	417191
AB7391E0	NOK	6863S	AB7776E0	NOK	473215	AB7808E	NOK	473242	AB7841E	NOK	417354
AB7408E	NOK	415960	AB7777E	NOK	473224	AB7809E	NOK	473204	AB7841E0	NOK	417354
AB7408E0	NOK	415960	AB7777E0	NOK	473224	AB7809E0	NOK	473204	AB7842E	NOK	416624
AB7409E	NOK	473459	AB7778E	NOK	473016	AB7810E	NOK	472015	AB7842E0	NOK	416624
AB7409E0	NOK	473459	AB7778E0	NOK	473016	AB7810E0	NOK	472015	AB7843E	NOK	417196
AB7410E	NOK	471138	AB7779E	NOK	473225	AB7811E	NOK	472016	AB7843E0	NOK	417196
AB7410E0	NOK	471138	AB7779E0	NOK	473225	AB7811E0	NOK	472016	AB7844E	NOK	415437
AB7621E	NOK	7486S	AB7780E	NOK	473226	AB7812E	NOK	473243	AB7844E0	NOK	415437
AB7621E0	NOK	7486S	AB7780E0	NOK	473226	AB7812E0	NOK	473243	AB7845E	NATSU	416130
AB7625E	NOK	471818	AB7781E	NOK	473227	AB7813E	NOK	473244	AB7845E	NOK	416047
AB7625E0	NOK	471818	AB7781E0	NOK	473227	AB7814E	NOK	472018	AB7845E	NOK	416332
AB7650E	NOK	471645	AB7782E	NOK	470380	AB7814E0	NOK	472018	AB7845E0	NOK	416047
AB7650E0	NOK	471645	AB7782E0	NOK	470380	AB7816E	NOK	473245	AB7845E0	NOK	416332
AB7659E	NOK	471649	AB7783E	NOK	473228	AB7817E	NOK	472636	AB7846E	NOK	417355
AB7659E0	NOK	471649	AB7783E0	NOK	473228	AB7817E0	NOK	472636	AB7846E0	NOK	417355
AB7673E1	NOK	470380	AB7784E	NOK	472213	AB7818E	NOK	413246	AB7847E	NOK	416125
AB7674E	NOK	473233	AB7784E0	NOK	472213	AB7818E	NOK	413246N	AB7847E0	NOK	416125
AB7674E0	NOK	473233	AB7785E	NOK	472299	AB7818E0	NOK	413246	AB7848E	NOK	416041
AB7684E	NOK	471870	AB7785E0	NOK	472299	AB7818E0	NOK	413246N	AB7848E0	NOK	416041
AB7684E0	NOK	471870	AB7786E	NOK	473229	AB7819E	NOK	413247	AB7849E	NOK	417205
AB7686E	NOK	470334	AB7786E0	NOK	473229	AB7819E0	NOK	413247	AB7849E0	NOK	417205
AB7686E0	NOK	470334	AB7787E	NOK	470682	AB7820E	NOK	416271	AB7850E	NOK	417211
AB7738E	NOK	413246N	AB7787E0	NOK	470682	AB7820E0	NOK	416271	AB7850E0	NOK	417211
AB7738E	NOK	483246N	AB7788E	NOK	473230	AB7821E	NOK	470605	AB7851E	NOK	415697
AB7738E0	NOK	413246N	AB7788E0	NOK	473230	AB7821E0	NOK	470605	AB7851E0	NOK	415697
AB7738E0	NOK	483246N	AB7789E	NOK	473010	AB7822E	NOK	413248	AB7852E	NOK	417366
AB7758E	NOK	471442	AB7789E0	NOK	473010	AB7822E0	NOK	413248	AB7852E0	NOK	417366
AB7758E0	NOK	471442	AB7790E	NOK	473232	AB7823E	NATSU	415483	AB7853E	NATSU	417357
AB7759E	NOK	471472	AB7790E0	NOK	473232	AB7823E	NOK	415483	AB7855E	NATSU	472157
AB7759E0	NOK	471472	AB7791E	NOK	473233	AB7823E0	NOK	415483	AB7855E	NOK	416556
AB7760E	NOK	471564	AB7792E	NOK	473234	AB7825E	NOK	417343	AB7855E	NOK	472157
AB7760E0	NOK	471564	AB7792E0	NOK	473234	AB7825E0	NOK	417343	AB7855E0	NOK	416556
AB7761E	NOK	471567	AB7793E	NOK	473235	AB7826E	NOK	415984	AB7855E0	NOK	472157
AB7761E0	NOK	471567	AB7793E0	NOK	473235	AB7826E0	NOK	415984	AB7856E	NATSU	416891
AB7762E	NOK	471643	AB7794E	NOK	473236	AB7827E	NOK	417316	AB7856E	NOK	416891
AB7762E0	NOK	471643	AB7795E	NOK	473237	AB7827E0	NOK	417316	AB7856E0	NOK	416891
AB7762E1	NOK	471643	AB7795E0	NOK	473237	AB7828E	NOK	415303	AB7857E	NATSU	416153
AB7763E	NOK	471570	AB7796E	NOK	472185	AB7828E0	NOK	415303	AB7857E	NOK	416153
AB7763E0	NOK	471570	AB7796E0	NOK	472185	AB7829E	NOK	417344	AB7857E0	NOK	416153
AB7764E	NOK	470590	AB7797E	NOK	472179	AB7829E0	NOK	417344	AB7858E0	NOK	417247
AB7764E0	NOK	470590	AB7797E0	NOK	472179	AB7830E	NOK	417158	AB7858E	NATSU	417247
AB7765E	NOK	471689	AB7798E	NOK	472439	AB7830E0	NOK	417158	AB7858E	NOK	417247
AB7765E0	NOK	471689	AB7798E0	NOK	472439	AB7831E	NOK	417349	AB7859E	NATSU	415725
AB7766E	NOK	471692	AB7799E	NOK	472572	AB7831E0	NOK	417349	AB7859E	NOK	415725
AB7766E0	NOK	471692	AB7799E0	NOK	472572	AB7832E	NOK	417350	AB7859E0	NOK	415725
AB7767E	NOK	470712	AB7800E	NOK	473238	AB7832E0	NOK	417350	AB7860E	NATSU	470625
AB7767E0	NOK	470712	AB7800E0	NOK	473238	AB7833E	NOK	417351	AB7860E	NOK	470625
AB7768E	NOK	473203	AB7801E	NOK	473239	AB7833E0	NOK	417351	AB7860E0	NOK	470625
AB7768E0	NOK	473203	AB7801E0	NOK	473239	AB7834E	NOK	417171	AB7897E	NOK	6936S
AB7769E	NOK	472475	AB7802E	NOK	473240	AB7834E0	NOK	417171	AB7897E	NOK	9845
AB7769E0	NOK	472475	AB7803E	NOK	472319	AB7835E	NOK	417172	AB7897E0	NOK	6936S
AB7770E	NOK	473205	AB7803E0	NOK	472319	AB7835E0	NOK	417172	AB7897E0	NOK	9845
AB7770E0	NOK	473205	AB7804E	NOK	473241	AB7836E	NOK	417181	AB7934E	NOK	6370N
AB7771E	NOK	473210	AB7804E0	NOK	473241	AB7836E0	NOK	417181	AB7934E0	NOK	6370N
AB7772E	NOK	473211	AB7805E	NOK	472144	AB7837E	NOK	417353	AB7938E	NOK	473447
AB7773E	NOK	473212	AB7805E0	NOK	472144	AB7837E0	NOK	417353	AB7938E0	NOK	473447

INTERCHANGE SECTION

COMPETITIVE INTERCHANGES



Mfr No.	Mfr. National	Mfr No.	Mfr. National	Mfr No.	Mfr. National	Mfr No.	Mfr. National
AB7940E	NOK 470530	AC0134F	NOK 220860	AC1013A0	NOK 222030	AC2007E	NOK 6760S
AB7940E0	NOK 470530	AC0224F	NOK 330385	AC1015	FMC 415088	AC2007E0	NOK 6760S
AB8036E	NOK 471354	AC0224F0	NOK 330385	AC1015	FMC 455088	AC2016F	NOK 470169
AB8036E0	NOK 471354	AC0224F1	NOK 330385	AC10171	COC 473436	AC2016F	NOK 473214
AB8065E	NOK 471442V	AC0227E	NOK 350156	AC10177	OLIVE 473436	AC2016F0	NOK 470169
AB8065E0	NOK 471442V	AC0227E	NOK 473096	AC1029E	NOK 222050	AC2016F0	NOK 473214
AB8066E	NOK 472475	AC0227E0	NOK 350156	AC1029E0	NOK 222050	AC2056E	NOK 223520
AB8066E0	NOK 472475	AC0227E0	NOK 473096	AC1070E	NOK 8609	AC2056E0	NOK 223520
AB8071E0	NOK 471651	AC0227E1	NOK 350156	AC1070E0	NOK 8609	AC2057A0	NOK 223520
AB8071E	NOK 471651	AC0227E1	NOK 473096	AC10801	OLIVE 39302	AC2057F	NOK 223520
AB8201E	NOK 471103	AC0442F1	NOK 330699	AC11259	DRESS 471820	AC2057F0	NOK 223520
AB8201E	NOK 50197S	AC0456E	NOK 471526	AC11259	EL-MO 471820	AC2069E	NOK 223535
AB8201E0	NOK 471103	AC0456E0	NOK 471526	AC11259	WAYNE 471820	AC2069E0	NOK 223535
AB8201E0	NOK 50197S	AC0514E	NOK 221410	AC11436	COC 455356	AC2083K0	NOK 223540
AB8201E1	NOK 471103	AC0514E0	NOK 221410	AC11436	OLIVE 455356	AC2083J	NOK 223540
AB8201E1	NOK 50197S	AC0545E	NOK 471281	AC11436	WHITE 455356	AC2083K	NOK 223540
AB8202E	NOK 330663	AC0545E0	NOK 471281	AC11498	WAYNE 473214	AC2084E	NOK 223542
AB8202E	NOK 472354	AC0559E	NOK 472705	AC11501	WAYNE 471801	AC2085A0	NOK 223542
AB8202E0	NOK 330663	AC0559E0	NOK 472705	AC11805	COC 412871	AC2162E	NOK 223605
AB8202E0	NOK 472354	AC0598A0	NOK 221540	AC11805	COC 450329	AC2162E0	NOK 223605
AB8353E	NOK 471984	AC0620E	NOK 471532	AC11805	OLIVE 412871	AC2205E	NOK 4989
AB8353E0	NOK 471984	AC0620E0	NOK 471532	AC11805	OLIVE 450329	AC2205F	NOK 4989
AB8375E	NOK 410190	AC0639E	NOK 351487	AC1181E	NOK 351267	AC2206E0	NOK 4989
AB8375E0	NOK 410190	AC0639E0	NOK 351487	AC1181E	NOK 471267	AC2206E	NOK 4989
AB8402E	NOK 352541	AC0644E	NOK 351466	AC1181E0	NOK 351267	AC2218E	NOK 223800
AB8402E0	NOK 352541	AC0644E	NOK 471466	AC1181E0	NOK 471267	AC2218E0	NOK 223800
AB8476E	NOK 471344	AC0649E	NOK 351466	AC1259E0	NOK 222430	AC225374	IH 450194
AB8476E0	NOK 471344	AC0649E	NOK 471466	AC1259E	NOK 222430	AC225374	IH 473010
AB8497E	NOK 330699	AC0649E0	NOK 351466	AC1260A0	NOK 222430	AC2253743	IH 471801
AB8497E0	NOK 330699	AC0649E0	NOK 471466	AC1314A0	NOK 222540	AC2269E	NOK 481163
AB8523E	NOK 473258	AC0654E	NOK 471264	AC1419E	NOK 471224	AC2269E0	NOK 481163
AB8523E0	NOK 473258	AC0654E0	NOK 471264	AC1419E0	NOK 471224	AC2272E	NOK 480630
AB8523E1	NOK 473258	AC0684E1	NOK 221610	AC1583	KOHL 471354	AC2272E	NOK 480991
AB8526E0	NOK 482126	AC0687E	NOK 221620	AC1598E	NOK 3638	AC2272E0	NOK 480630
AB8526E	NOK 482126	AC0687E0	NOK 221620	AC1598E	NOK 471652	AC2272E0	NOK 480991
AB8535E	NOK 410190	AC0721E	NOK 481481	AC1598E0	NOK 3638	AC2296E	NOK 473440
AB8535E0	NOK 410190	AC0721E0	NOK 481481	AC1598E0	NOK 471652	AC2296E0	NOK 473440
AB8759E	NOK 472164	AC0736E0	NOK 221710	AC1599E	NOK 471652	AC2304G	NOK 226018
AB8759E0	NOK 472164	AC0736E	NOK 221710	AC1599E0	NOK 471652	AC2304G0	NOK 226018
AB8771E	NOK 8133S	AC0742E0	NOK 221720	AC1679A0	NOK 1981	AC2318E	NOK 473517
AB8771E0	NOK 8133S	AC0742E	NOK 221720	AC1682E	NOK 223014	AC2318E0	NOK 473517
AB8778E	NOK 471551	AC0745E0	NOK 221720	AC1682E0	NOK 223014	AC2322E	NOK 473441
AB8778E0	NOK 471551	AC0745E	NOK 221720	AC1691	OLIVE 470189	AC2322E0	NOK 473441
AB8779E	NOK 481443	AC0750E1	NOK 221730	AC1691	OLIVE 471692	AC2343E0	NOK 224010
AB8779E0	NOK 481443	AC0897E	NOK 254270	AC1824E0	NOK 7412S	AC2343E	NOK 1217
AB8924E0	NOK 710407	AC0897E	NOK 7750	AC1824E	NOK 7412S	AC2343E	NOK 224010
AB8924E1	NOK 710407	AC0897E0	NOK 254270	AC1838E	NOK 471766	AC2361E	NOK 224020
AB8924E	NOK 710407	AC0897E0	NOK 7750	AC1838E0	NOK 471766	AC2361E0	NOK 224020
AB8931E	NOK 5124	AC0898E	NOK 1049	AC1841E	NOK 410163	AC2375E	NOK 224040
AB8931E0	NOK 5124	AC0898E0	NOK 1049	AC1841E	NOK 471766	AC2375E0	NOK 224040
AB8932E	NOK 9569S	AC0913E	NOK 470954	AC1841E0	NOK 410163	AC2379E	NOK 224040
AB8932E0	NOK 9569S	AC0913E0	NOK 470954	AC1841E0	NOK 471766	AC2379E0	NOK 224040
AB8935E	NOK 471688	AC0913E1	NOK 470954	AC1853	KOHL 471354	AC2388A0	NOK 224045
AB8935E0	NOK 471688	AC091300	NOK 470954V	AC1880E0	NOK 223230	AC2390E	NOK 224045
AC0127238	MAZDA 710396	AC0923F	NOK 471554	AC1880E	NOK 223230	AC2390E0	NOK 224045
AC0105E	NOK 350364	AC0923F0	NOK 471554	AC1902E	NOK 223255	AC2493E	NOK 1953
AC0105E0	NOK 350364	AC0997E	NOK 222020	AC1902E0	NOK 223255	AC2493E0	NOK 1953
AC0105E1	NOK 350364	AC0997E0	NOK 222020	AC1904A0	NOK 1167	AC2576F	NOK 6703S
AC0105H0	NOK 350364	AC1012E	NOK 222030	AC2005E	NOK 472258V	AC2576F0	NOK 6703S
AC0134F0	NOK 220860	AC1012E0	NOK 222030	AC2005E0	NOK 472258V	AC2643E	NOK 224520

INTERCHANGE SECTION

COMPETITIVE INTERCHANGES

Mfr No.	Mfr.	National	Mfr No.	Mfr.	National	Mfr No.	Mfr.	National	Mfr No.	Mfr.	National
AC2643E0	NOK	224520	AC7126E	NOK	474278	ACC656A0	NOK	710637	AD1172E	NOK	7840S
AC2775F0	NOK	224820	AC7126E0	NOK	474278	AD0227E	NOK	350156	AD1172E0	NOK	7840S
AC2775F	NOK	224820	AC7174E	NOK	471689	AD0227E	NOK	473096	AD1181H0	NOK	471267
AC2780E0	NOK	1973	AC7175E	NOK	471192	AD0227E0	NOK	350156	AD1181H0	NOK	471267
AC2780E	NOK	1973	AC7176E	NOK	473234	AD0227E0	NOK	473096	AD1181J0	NOK	471267V
AC2791A0	NOK	1994	AC7269E	NOK	7781S	AD0325E	NOK	472810	AD1190F	NOK	470680
AC2847E0	NOK	225020	AC7269E0	NOK	7781S	AD0325F	NOK	472810	AD1190F	NOK	471570
AC2847E	NOK	225020	AC7640E	NOK	330385	AD0325F0	NOK	472810	AD1190F0	NOK	470680
AC2861E	NOK	225030	AC7640E0	NOK	330385	AD0451E	NOK	471442	AD1190F0	NOK	471570
AC2861E0	NOK	225030	AC7669E	NOK	471570	AD0451E0	NOK	471442	AD1194E	NOK	471646
AC2864K0	NOK	225030	AC7669E0	NOK	471570	AD0456E	NOK	471526	AD1194E0	NOK	471646
AC2888E	NOK	225050	AC7695E	NOK	471276	AD0456E0	NOK	471526	AD1198F	NOK	471730
AC2888E0	NOK	225050	AC7695E0	NOK	471276	AD0554E	NOK	471551	AD1198F0	NOK	471730
AC2908E	NOK	352541	AC7696E	NOK	470596	AD0598G	NOK	221540	AD1250R	JOHND	415995
AC2908E0	NOK	352541	AC7696E0	NOK	470596	AD0598G0	NOK	221540	AD1250R	JOHND	455013
AC2964K0	NOK	225030	AC7758E	NOK	471442	AD0638G	NOK	7188S	AD1251R	JOHND	416654
AC2980E	NOK	451948	AC7758E0	NOK	471442	AD0638G0	NOK	7188S	AD1251R	JOHND	455012
AC2980E0	NOK	451948	AC7873E	NOK	481481	AD0639E	NOK	351487	AD1260R	JOHND	416339
AC3040A0	NOK	225530	AC7873E0	NOK	481481	AD0645G	NOK	471466	AD1260R	JOHND	455031
AC3139E	NOK	471272	AC8004E	NOK	351487	AD0645G0	NOK	471466	AD1268	JOHND	416339
AC3139E0	NOK	471272	AC8004E0	NOK	351487	AD0646E	NOK	471466V	AD1268	JOHND	455031
AC3147E0	NOK	710136	AC81	FMC	415645	AD0646E0	NOK	471466V	AD1306H1	NOK	222535
AC3147E	NOK	710136	AC81	FMC	455104	AD0654E	NOK	471264	AD1307E	NOK	222535
AC3204G	NOK	226018	AC81	LK-BT	415645	AD0654E0	NOK	471264	AD1307E0	NOK	222535
AC3260E1	NOK	413247	AC81	LK-BT	455104	AD0657E	NOK	471255	AD1358E	NOK	222820
AC3260E1	NOK	450350	AC8202E	NOK	330663	AD0657E0	NOK	471255	AD1358E0	NOK	222820
AC3280E	NOK	411500	AC8202E	NOK	472354	AD0660F	NOK	471612	AD1377	JOHND	450593
AC3280E0	NOK	411500	AC8202E0	NOK	330663	AD0660F0	NOK	471612	AD1403E	NOK	252277
AC3297A0	NOK	226285	AC8202E0	NOK	472354	AD0685F	NOK	221610	AD1403E0	NOK	252277
AC3311A	OLIVE	470045	AC8221E	NOK	353120	AD0685F0	NOK	221610	AD1407E	NOK	350414
AC3311A	OLIVE	476838	AC8221E0	NOK	353120	AD0687H0	NOK	221620	AD1407E	NOK	472311
AC341175AA	FORD	710701	AC8226E	NOK	473224	AD0722F	NOK	481481	AD1407E0	NOK	350414
AC341175AB	FORD	710701	AC8226E0	NOK	473224	AD0745E1	NOK	221720	AD1407E0	NOK	472311
AC3409A0	NOK	226530	AC8368E	NOK	710076	AD0750F	NOK	221730	AD1410F1	NOK	471224
AC3505E	NOK	227020	AC8368E0	NOK	710076	AD0751F	NOK	221730	AD1410G	NOK	471224
AC3505E0	NOK	227020	AC8419F	NOK	223240	AD0751F0	NOK	221730	AD1410G0	NOK	471224
AC3519A0	NOK	227045	AC8419F0	NOK	223240	AD0783F	NOK	471529	AD1410H0	NOK	471224
AC3618E	NOK	227550	AC8471E	NOK	480210	AD0783F0	NOK	471529	AD1412F	NOK	470553
AC3618E0	NOK	227550	AC8471E0	NOK	480210	AD0897E	NOK	254270	AD1412F	NOK	471224
AC3732E	NOK	228010	AC8474E	NOK	352354	AD0897E	NOK	7750	AD1412F0	NOK	470553
AC3744A0	NOK	228020	AC8474E	NOK	472354	AD0897E0	NOK	254270	AD1412F0	NOK	471224
AC3842G	NOK	228520	AC8474E0	NOK	352354	AD0897E0	NOK	7750	AD1430E	NOK	471649
AC3842G0	NOK	228520	AC8474E0	NOK	472354	AD0900E	NOK	254270	AD1430F	NOK	471649
AC3844A	NOK	228020	AC8474F	NOK	330663	AD0900E	NOK	7750	AD1430F1	NOK	471649
AC3888E	NOK	416624	AC8474F	NOK	472354	AD0900E0	NOK	254270	AD1431F	NOK	471649
AC3888E0	NOK	416624	AC8474F0	NOK	330663	AD0900E0	NOK	7750	AD1446E	NOK	471760
AC396	LK-BT	415072	AC8474F0	NOK	472354	AD0913F	NOK	470954	AD1446E0	NOK	471760
AC3Z1S175A	FORD	710701	AC8925E0	NOK	710401	AD0913F0	NOK	470954	AD1598E	NOK	471652
AC4063G2	NOK	231003	AC8925E	NOK	710401	AD0913F1	NOK	470954	AD1598E0	NOK	471652
AC4484E	NOK	417262	AC9191	COC	450621	AD0923F	NOK	471554	AD1598F1	NOK	471652
AC4484E0	NOK	417262	AC9191	OLIVE	450621	AD0923F0	NOK	471554	AD1598F2	NOK	471652
AC4568E	NOK	417555	AC9191	WHITE	450621	AD0953F	NOK	471443	AD1617E	NOK	471763
AC4568E0	NOK	417555	AC9338	OLIVE	5976S	AD0953F	NOK	481443	AD1617E0	NOK	471763
AC484	LK-BT	415066	AC9546	COC	450070	AD0953F0	NOK	471443	AD1617F	NOK	471763
AC6763E	NOK	482576N	AC9546	COC	472185	AD0953F0	NOK	481443	AD1617F0	NOK	471763
AC6763E0	NOK	482576N	AC9546	OLIVE	450070	AD1012F2	NOK	222030	AD1623E	NOK	1989
AC6900E	NOK	471442V	AC9546	OLIVE	472185	AD1013E	NOK	222030	AD1623E0	NOK	1989
AC6900E0	NOK	471442V	ACA4000	LEYLD	471192	AD1013E0	NOK	222030	AD1636E	NOK	474260
AC7071E	NOK	3395	ACC434B0	NOK	223550	AD1015F	NOK	222030	AD1671G0	NOK	223012
AC7071E0	NOK	3395	ACC656A	NOK	710637	AD1015F0	NOK	222030	AD1671G	NOK	223012

INTERCHANGE SECTION

COMPETITIVE INTERCHANGES



Mfr No.	Mfr. National	Mfr No.	Mfr. National	Mfr No.	Mfr. National	Mfr No.	Mfr. National
AD1679G	NOK 223014	AD2402E	NOK 224100	AD3135E0	NOK 412920	AD3705E0	NOK 417621
AD1679G0	NOK 223014	AD2482E	NOK 224200	AD3135E1	NOK 412920	AD3706F	NOK 2291
AD1779E	NOK 471765	AD2507L0	NOK 224255	AD3148E0	NOK 225875	AD3706F0	NOK 2291
AD1779E0	NOK 471765	AD2507I0	NOK 224255	AD3148E	NOK 225875	AD3708E	NATSU 416288
AD1820E	NOK 474278	AD2507L	NOK 224255	AD3253E	NOK 470565	AD3708E	NOK 416288
AD1820E0	NOK 474278	AD2527E	NOK 473317	AD3253E0	NOK 470565	AD3708E0	NOK 416288
AD1826F	NOK 471413	AD2527E0	NOK 473317	AD3259E	NOK 413247	AD3744J0	NOK 228020
AD1826F0	NOK 471413	AD2528E	NOK 470460	AD3259E0	NOK 413247	AD3795E	NOK 476470
AD1828E	NOK 471413	AD2528E0	NOK 470460	AD3297F	NOK 226285	AD3796E	NATSU 476470
AD1828E0	NOK 471413	AD2565E0	NOK 710283	AD3297F0	NOK 226285	AD3796E	NOK 476470
AD1832E	NOK 471737	AD2565E	NOK 710283	AD3338E	NOK 471271	AD3796E0	NOK 476470
AD1832E0	NOK 471737	AD2599F	NOK 472179	AD3338E0	NOK 471271	AD3809E	NATSU 418028
AD1838E	NOK 471766	AD2599F0	NOK 472179	AD3338F	NOK 471271	AD3809E	NOK 417352
AD1838E0	NOK 471766	AD2604E	NOK 471984	AD3338F0	NOK 471271	AD3809E	NOK 418028
AD1841F	NOK 470163	AD2604E0	NOK 471984	AD3347E	NATSU 415449	AD3809E0	NOK 417352
AD1841F	NOK 471766	AD2643G	NOK 224520	AD3347E	NOK 415449	AD3809E0	NOK 418028
AD1841F0	NOK 470163	AD2643G0	NOK 224520	AD3347E0	NOK 415449	AD3842I0	NOK 228520
AD1841F0	NOK 471766	AD2655F	NOK 1992	AD3388E0	NOK 710094	AD3891E	NATSU 415991
AD1894E	NOK 223240	AD2655F0	NOK 1992	AD3388E	NOK 710094	AD3891E	NOK 415991
AD1894E0	NOK 223240	AD2685E0	NOK 224570	AD3409J0	NOK 226530	AD3891E0	NOK 415991
AD1904F	NOK 1167	AD2685E	NOK 224570	AD3440E	NOK 475003N	AD3963E	NATSU 415937
AD1904F0	NOK 1167	AD2752E	NOK 472439	AD3440E0	NOK 475003N	AD3963E	NOK 415937
AD1929F0	NOK 710070	AD2752E0	NOK 472439	AD3478E	NATSU 416664	AD3963E0	NOK 415937
AD1929F	NOK 710070	AD2763Y	NOK 1959	AD3478E	NOK 416664	AD4017E	NOK 415379
AD2005G	NOK 472258	AD2763Y0	NOK 1959	AD3478E0	NOK 416664	AD4017E0	NOK 415379
AD2005G	NOK 472258V	AD2780G	NOK 224820	AD3480E	NOK 415984	AD4017F	NATSU 415379
AD2005G0	NOK 472258V	AD2780G0	NOK 224820	AD3480E0	NOK 415984	AD4017F	NATSU 475379
AD2005G1	NOK 472258	AD2791E	NOK 1994	AD3505H0	NOK 227020	AD4019E	NOK 415035
AD2005G2	NOK 472258	AD2791E0	NOK 1994	AD3519K0	NOK 227045	AD4019E	NOK 415953
AD2007F	NOK 470774	AD2791J0	NOK 710313	AD3537F0	NOK 710763	AD4019E0	NOK 415035
AD2007F0	NOK 470774	AD2838F	NOK 225010	AD3537F	NOK 710763	AD4019E0	NOK 415953
AD2066E	NOK 223535	AD2838F0	NOK 225010	AD3553E	NOK 417485	AD4020E	NATSU 416339
AD2066E0	NOK 223535	AD2838F1	NOK 225010	AD3553E0	NOK 417485	AD4020E	NOK 416339
AD2085G	NOK 223542	AD2913E	NOK 471424	AD3573E	NATSU 416921	AD4020E0	NOK 416339
AD2085G0	NOK 223542	AD2913E0	NOK 471424	AD3573E	NOK 416921	AD4037E	NATSU 416345
AD2132F	NOK 471847N	AD2913F	NOK 471424	AD3573E0	NOK 416921	AD4037E	NOK 416345
AD2257E0	NOK 1176	AD2919E	NOK 472492	AD3574F	NOK 416921	AD4037E0	NOK 416345
AD2257E	NOK 1176	AD2919F	NOK 472492	AD3574F0	NOK 416921	AD4063A0	NOK 231003
AD2261G	NOK 1177	AD2919F0	NOK 472492	AD3589E	NOK 475012N	AD4095E	NOK 417506
AD2261G0	NOK 1177	AD2920F	NOK 472492	AD3589E0	NOK 475012N	AD4095E0	NOK 417506
AD2261H	NOK 1177	AD2920F0	NOK 472492	AD3590E	NOK 416654	AD4098E0	NOK 710371
AD2267E	NOK 474276	AD2920F1	NOK 472492	AD3590E0	NOK 416654	AD4098E	NOK 710371
AD2267E0	NOK 474276	AD2931F	NOK 472397	AD3618I0	NOK 227550	AD4109E	NATSU 415035
AD2322E	NOK 473441	AD2931F0	NOK 472397	AD3664E	NATSU 415995	AD4109E	NOK 415035
AD2322E0	NOK 473441	AD2942E	NOK 410102	AD3664E	NOK 415836	AD4109E	NOK 415953
AD2323E	NOK 473442	AD2942E0	NOK 410102	AD3664E	NOK 415995	AD4109E0	NOK 415035
AD2323E0	NOK 473442	AD2955Y	NOK 1955	AD3664E0	NOK 415836	AD4109E0	NOK 415953
AD2343E	NOK 224015	AD2955Y0	NOK 1955	AD3664E0	NOK 415995	AD4116E	NATSU 417356
AD2343E0	NOK 224015	AD2994E	NOK 470898	AD3673E	NOK 417487	AD4116E	NOK 417506
AD2353Y0	NOK 1213N	AD2994E0	NOK 470898	AD3673E	NOK 455086	AD4116E0	NOK 417506
AD2353Y	NOK 1213N	AD3000E	NOK 472015	AD3673E0	NOK 417487	AD4180E	NATSU 415196
AD2355E0	NOK 710311	AD3000E0	NOK 472015	AD3673E0	NOK 455086	AD4180E	NOK 415196
AD2355E	NOK 710311	AD3005F	NOK 472409	AD3675E	NOK 417488	AD4180E0	NOK 415196
AD2359G	NOK 224020	AD3005F0	NOK 472409	AD3675E0	NOK 417488	AD4255E	NATSU 416888
AD2359G0	NOK 224020	AD3005F1	NOK 472409	AD3704E	NOK 416404	AD4255F1	NOK 416888
AD2375F	NOK 710147	AD3040F0	NOK 225530	AD3704E0	NOK 416404	AD4262E	NATSU 416892
AD2375F0	NOK 710147	AD3040F	NOK 225530	AD3705E	NATSU 417621	AD4262E	NOK 416892
AD2388E	NOK 224045	AD3135E	NATSU 412920	AD3705E	NOK 416011	AD4262E0	NOK 416892
AD2388E0	NOK 224045	AD3135E	NATSU 472920	AD3705E	NOK 417621	AD4362E	NATSU 415138
AD2390I0	NOK 224045	AD3135E	NOK 412920	AD3705E0	NOK 416011	AD4362E	NOK 415138

INTERCHANGE SECTION

COMPETITIVE INTERCHANGES

Mfr No.	Mfr.	National	Mfr No.	Mfr.	National	Mfr No.	Mfr.	National	Mfr No.	Mfr.	National
AD4362E0	NOK	415138	AD7175E	NOK	471192	AD7700E0	NOK	710518	AD7779E0	NOK	473225
AD4370E	NOK	415066	AD7175E0	NOK	471192	AD7700E1	NOK	710518	AD7780E	NOK	473226
AD4370E0	NOK	415066	AD7268E	NOK	450161	AD7700E	NOK	710518	AD7780E0	NOK	473226
AD4441E0	NOK	710556	AD7268E	NOK	471764	AD7703E0	NOK	710184	AD7781E	NOK	473227
AD4441E	NOK	710556	AD7268E0	NOK	450161	AD7703E	NOK	710184	AD7781E0	NOK	473227
AD4517G0	NOK	710421	AD7268E0	NOK	471764	AD7705E	NOK	470806	AD7782E	NOK	470380
AD4517G	NOK	710421	AD7282E	NATSU	416135	AD7705E0	NOK	470806	AD7782E0	NOK	470380
AD4524E	NOK	416107	AD7282E	NOK	416135	AD7707E	NOK	472642	AD7782E1	NOK	470380
AD4524E1	NOK	416107	AD7282E0	NOK	416135	AD7707E0	NOK	472642	AD7783E	NOK	473228
AD4593F0	NOK	710369	AD7408E	NOK	415960	AD7708E	NOK	471276	AD7783E0	NOK	473228
AD4593F	NOK	710369	AD7408E0	NOK	415960	AD7708E0	NOK	471276	AD7784E	NOK	472213
AD4601E	NOK	416666	AD7410E	NOK	471138	AD7709E	NOK	471281	AD7784E0	NOK	472213
AD4601E0	NOK	416666	AD7410E0	NOK	471138	AD7709E0	NOK	471281	AD7785E	NOK	472299
AD4654E	NOK	415072	AD7410E1	NOK	471138	AD7710E	NOK	472658	AD7785E0	NOK	472299
AD4654E0	NOK	415072	AD7553E	NOK	474278	AD7710E	NOK	473197	AD7786E	NOK	473229
AD6299E	NOK	471733	AD7553E0	NOK	474278	AD7710E0	NOK	472658	AD7786E0	NOK	473229
AD6299E0	NOK	471733	AD7591E	NOK	453065	AD7710E0	NOK	473197	AD7787E	NOK	470682
AD6787E	NOK	472658	AD7591E0	NOK	453065	AD7758E	NOK	471442	AD7787E0	NOK	470682
AD6787E	NOK	473197	AD7613E	NOK	412861	AD7758E0	NOK	471442	AD7788E	NOK	473230
AD6787E0	NOK	472658	AD7613E0	NOK	412861	AD7759E	NOK	471472	AD7788E0	NOK	473230
AD6787E0	NOK	473197	AD7625E	NOK	471818	AD7759E0	NOK	471472	AD7789E	NOK	473010
AD6789E	NOK	473235	AD7625E0	NOK	471818	AD7760E	NOK	471564	AD7789E0	NOK	473010
AD6789E0	NOK	473235	AD7643E	NOK	471612	AD7760E0	NOK	471564	AD7790E	NOK	473232
AD6858E	NOK	5206	AD7643E0	NOK	471612	AD7761E	NOK	471567	AD7790E0	NOK	473232
AD6858E0	NOK	5206	AD7646E	NOK	472649	AD7761E0	NOK	471567	AD7791E	NOK	473233
AD6920F0	NOK	710084	AD7646E0	NOK	472649	AD7762E	NOK	471643	AD7791E0	NOK	473233
AD6920F	NOK	710084	AD7646E1	NOK	472649	AD7762E0	NOK	471643	AD7792E	NOK	473234
AD6922E	NOK	471733	AD7647E	NOK	472951	AD7763E	NOK	471570	AD7792E0	NOK	473234
AD6942E	NOK	471231	AD7647E	NOK	474252	AD7763E0	NOK	471570	AD7793E0	NOK	8516N
AD6942E0	NOK	471231	AD7647E0	NOK	472951	AD7764E	NOK	470590	AD7793E	NOK	8516N
AD7049Y0	NOK	710051	AD7647E0	NOK	474252	AD7764E0	NOK	470590	AD7794E	NOK	473236
AD7049Y	NOK	710051	AD7651E	NOK	472950	AD7765E	NOK	471689	AD7794E0	NOK	473236
AD7079E	NATSU	416273	AD7651E0	NOK	472950	AD7765E0	NOK	471689	AD7795E	NOK	473237
AD7079E	NOK	416273	AD7654E	NOK	473380	AD7766E	NOK	471692	AD7795E0	NOK	473237
AD7079E0	NOK	416273	AD7654E0	NOK	473380	AD7766E0	NOK	471692	AD7796E	NOK	472185
AD7079E0	NOK	416273	AD7656E	NOK	472655	AD7767E	NOK	470712	AD7796E0	NOK	472185
AD7079F	NOK	416273	AD7656E0	NOK	472655	AD7767E0	NOK	470712	AD7797E	NOK	472179
AD7079F0	NOK	416273	AD7657E1	NOK	472953	AD7767E1	NOK	470712	AD7797E0	NOK	472179
AD7079R	NOK	416273	AD7658E	NOK	473243	AD7768E	NOK	473203	AD7798E	NOK	472439
AD7092E	NOK	472164	AD7658E0	NOK	473243	AD7768E0	NOK	473203	AD7798E0	NOK	472439
AD7092E0	NOK	472164	AD7662E	NOK	472644	AD7769E	NOK	472475	AD7799E	NOK	472572
AD7095E	NOK	472164	AD7662E0	NOK	472644	AD7769E0	NOK	472475	AD7799E0	NOK	472572
AD7095E0	NOK	472164	AD7665E	NOK	471904	AD7770E	NOK	473205	AD7800E	NOK	473238
AD7095E1	NOK	472164	AD7665E0	NOK	471904	AD7770E0	NOK	473205	AD7800E0	NOK	473238
AD7095F	NOK	472164V	AD7666E	NOK	473427	AD7771E	NOK	473210	AD7801E	NOK	473239
AD7095F	NOK	482164N	AD7666E0	NOK	473427	AD7772E	NOK	473211	AD7801E0	NOK	473239
AD7095F0	NOK	472164V	AD7667E	NOK	470596	AD7772E0	NOK	473211	AD7802E	NOK	473240
AD7095F0	NOK	482164N	AD7667E0	NOK	470596	AD7773E	NOK	473212	AD7802E0	NOK	473240
AD7096E	NOK	470712	AD7668E	NOK	476820	AD7773E0	NOK	473212	AD7803E	NOK	472319
AD7096E0	NOK	470712	AD7668E0	NOK	476820	AD7774E	NOK	473213	AD7803E0	NOK	472319
AD7111E1	NOK	471538	AD7670E	NOK	477105	AD7774E0	NOK	473213	AD7804E	NOK	473241
AD7127E	NOK	471795N	AD7670E0	NOK	477105	AD7775E0	NOK	473214	AD7804E0	NOK	473241
AD7127E0	NOK	471795N	AD7678E	NOK	472660	AD7775E	NOK	473214	AD7805E	NOK	472144
AD7127E1	NOK	471795	AD7678E0	NOK	472660	AD7776E	NOK	473215	AD7805E0	NOK	472144
AD7149E	NOK	472324	AD7680E	NOK	472954	AD7776E0	NOK	473215	AD7806E	NOK	472394
AD7149E0	NOK	472324	AD7680E0	NOK	472954	AD7777E	NOK	473224	AD7806E0	NOK	472394
AD7151E	NOK	472179	AD7683E	NOK	472653	AD7777E0	NOK	473224	AD7807E	NOK	472924
AD7151E0	NOK	472179	AD7683E0	NOK	472653	AD7778E	NOK	473016	AD7807E0	NOK	472924
AD7153F	NOK	471272	AD7699E	NOK	470606	AD7778E0	NOK	473016	AD7808E	NOK	473242
AD7153F0	NOK	471272	AD7699E0	NOK	470606	AD7779E	NOK	473225	AD7808E0	NOK	473242

INTERCHANGE SECTION

COMPETITIVE INTERCHANGES



Mfr No.	Mfr. National	Mfr No.	Mfr. National	Mfr No.	Mfr. National	Mfr No.	Mfr. National
AD7809E	NOK 473204	AD7832E	NATSU 417350	AD7850E0	NOK 417211	AD8236E0	NOK 471736
AD7809E0	NOK 473204	AD7832E	NOK 417350	AD7851E	NATSU 415697	AD8360E	NOK 471692
AD7810E	NOK 472015	AD7832E0	NOK 417350	AD7851E	NOK 415697	AD8360E0	NOK 471692
AD7810E0	NOK 472015	AD7833E	NATSU 417351	AD7851E0	NOK 415697	AD8362E	NOK 471443
AD7811E	NOK 473517	AD7833E	NOK 417351	AD7852E	NATSU 417366	AD8362E	NOK 481443
AD7811E0	NOK 473517	AD7833E0	NOK 417351	AD7852E	NOK 417366	AD8362E0	NOK 471443
AD7812E	NATSU 473243	AD7834E	NATSU 417171	AD7852E0	NOK 417366	AD8362E0	NOK 481443
AD7812E	NOK 473243	AD7834E	NOK 417171	AD7853E	NATSU 417357	AD8377E	NOK 481792
AD7812E0	NOK 473243	AD7834E0	NOK 417171	AD7853E	NOK 417357	AD8377E0	NOK 481792
AD7813E	NOK 473244	AD7835E	NOK 417172	AD7853E0	NOK 417357	AD8404E	NOK 471831
AD7813E0	NOK 473244	AD7835E0	NOK 417172	AD7854E	NATSU 416130	AD8404E0	NOK 471831
AD7814E	NOK 472018	AD7836E	NATSU 417181	AD7854E	NOK 416130	AD8419E	NOK 476281
AD7814E0	NOK 472018	AD7836E	NOK 417181	AD7854E0	NOK 416130	AD8419E0	NOK 476281
AD7815E	NOK 472020	AD7836E0	NOK 417181	AD7855E	NATSU 472157	AD8442E	NOK 470774
AD7815E0	NOK 472020	AD7837E	NATSU 417353	AD7855E	NOK 416556	AD8442E0	NOK 470774
AD7816E	NOK 473245	AD7837E	NOK 417353	AD7855E	NOK 472157	AD8465E	NOK 471981
AD7816E0	NOK 473245	AD7837E0	NOK 417353	AD7855E0	NOK 416556	AD8465E0	NOK 471981
AD7817E	NOK 472636	AD7838E	NATSU 416294	AD7855E0	NOK 472157	AD8466E	NOK 471645
AD7817E0	NOK 472636	AD7838E	NOK 416294	AD7856E	NATSU 416891	AD8466E0	NOK 471645
AD7818E	NATSU 413246N	AD7838E0	NOK 416294	AD7856E	NOK 416891	AD8473E	NOK 470328
AD7818E	NOK 413246	AD7839E	NATSU 412473	AD7856E0	NOK 416891	AD8473E	NOK 481213
AD7818E	NOK 413246N	AD7839E	NOK 412473	AD7857E	NATSU 416153	AD8473E0	NOK 470328
AD7818E0	NOK 413246	AD7839E	NOK 415894	AD7857E	NOK 416153	AD8473E0	NOK 481213
AD7818E0	NOK 413246N	AD7839E0	NOK 412473	AD7857E0	NOK 416153	AD8480E	NOK 225110
AD7819E	NATSU 413247	AD7839E0	NOK 415894	AD7858E0	NOK 417247	AD8527E	NOK 473313
AD7819E	NOK 413247	AD7839E1	NOK 412473	AD7858E	NATSU 417247	AD8527E0	NOK 473313
AD7819E0	NOK 413247	AD7839E1	NOK 415894	AD7858E	NOK 417247	AD8555E	NOK 471958
AD7820E	NATSU 416271	AD7840E	NATSU 417191	AD7859E	NATSU 415725	AD8555E0	NOK 471958
AD7820E	NOK 416271	AD7840E	NOK 417191	AD7859E	NOK 415725	AD8582E0	NOK 710247
AD7820E0	NOK 416271	AD7840E0	NOK 417191	AD7859E0	NOK 415725	AD8582E	NOK 710247
AD7821E	NOK 470605	AD7841E	NATSU 417354	AD7860E	NOK 470625	AD8717E	NOK 413470
AD7821E0	NOK 470605	AD7841E	NOK 417354	AD7860E0	NOK 470625	AD8717E0	NOK 413470
AD7822E	NATSU 413248	AD7841E0	NOK 417354	AD7860E1	NOK 470625	AD8734E	NOK 471344
AD7822E	NOK 413248	AD7842E	NATSU 416624	AD7877E	NOK 471821	AD8734E0	NOK 471344
AD7822E0	NOK 413248	AD7842E	NOK 416624	AD7877E0	NOK 471821	AD8754E	NOK 471835
AD7823E	NATSU 415483	AD7842E0	NOK 416624	AD7898E	NOK 472082	AD8754E0	NOK 471835
AD7823E	NOK 415483	AD7843E	NATSU 417196	AD7898E0	NOK 472082	AD8948E	NOK 470390
AD7823E0	NOK 415483	AD7843E	NOK 417196	AD8008E	NOK 414268	AD8948E0	NOK 470390
AD7824E	NOK 415458	AD7843E0	NOK 417196	AD8008E	NOK 450539	AD8948F	NOK 470390
AD7824E0	NOK 415458	AD7844E	NATSU 415437	AD8008E0	NOK 414268	AD8948F0	NOK 470390
AD7825E	NATSU 417343	AD7844E	NOK 415437	AD8008E0	NOK 450539	AD8965E	NOK 4250
AD7825E	NOK 417343	AD7844E0	NOK 415437	AD8011E	NOK 473446	AD8965E0	NOK 4250
AD7825E0	NOK 417343	AD7845E	NATSU 416332	AD8011E0	NOK 473446	AD9109E	NOK 457295
AD7826E	NATSU 415984	AD7845E	NOK 416047	AD8014E	NOK 471984	AD9109E0	NOK 457295
AD7826E	NOK 415984	AD7845E	NOK 416332	AD8014E0	NOK 471984	ADD091A0	NOK 710373
AD7826E0	NOK 415984	AD7845E0	NOK 416047	AD8018E	NOK 451078	ADD091A	NOK 710373
AD7827E	NOK 417316	AD7845E0	NOK 416332	AD8018E0	NOK 451078	ADD135A0	NOK 1176
AD7827E0	NOK 417316	AD7846E	NATSU 417355	AD8035E	NOK 471379	ADD138A0	NOK 710371
AD7828E	NATSU 415303	AD7846E	NOK 417355	AD8035E0	NOK 471379	ADD138A	NOK 710371
AD7828E	NOK 415303	AD7846E0	NOK 417355	AD8062E	NOK 470451	ADD149A0	NOK 710763
AD7828E0	NOK 415303	AD7847E	NATSU 416125	AD8062E	NOK 480630	ADD149A	NOK 710763
AD7829E	NATSU 417344	AD7847E	NOK 416125	AD8062E0	NOK 470451	ADD972A0	NOK 710421
AD7829E	NOK 417344	AD7847E0	NOK 416125	AD8062E0	NOK 480630	ADD972B0	NOK 710421
AD7829E0	NOK 417344	AD7848E	NOK 416041	AD8206E	NOK 710008	ADD972A	NOK 710421
AD7830E	NATSU 417158	AD7848E0	NOK 416041	AD8206E0	NOK 710008	ADD972B	NOK 710421
AD7830E	NOK 417158	AD7849E	NATSU 417205	AD8213E	NOK 473380	ADU7358	ROVER 224052
AD7830E0	NOK 417158	AD7849E	NOK 417205	AD8213E0	NOK 473380	ADU8891	ROVER 1172
AD7831E	NATSU 417349	AD7849E0	NOK 417205	AD8217E	NOK 471833	AE1677H	NOK 223014
AD7831E	NOK 417349	AD7850E	NATSU 417211	AD8217E0	NOK 471833	AE1677H0	NOK 223014
AD7831E0	NOK 417349	AD7850E	NOK 417211	AD8236E	NOK 471736	AE0134E0	NOK 220860

INTERCHANGE SECTION

COMPETITIVE INTERCHANGES

Mfr No.	Mfr.	National	Mfr No.	Mfr.	National	Mfr No.	Mfr.	National	Mfr No.	Mfr.	National
AE0134E	NOK	220860	AE1179E	NOK	353132	AE2072E0	NOK	223535	AE2775E	NOK	224820
AE0145F0	NOK	220818	AE1179E0	NOK	353132	AE2081I	NOK	223540	AE2775E0	NOK	224820
AE0226E0	NOK	350156	AE1232E	NOK	471571	AE2094E0	NOK	710218	AE2780F	NOK	224820
AE0318E0	NOK	6863S	AE1232E0	NOK	471571	AE2094E	NOK	710218	AE2780F0	NOK	224820
AE0325H0	NOK	472810	AE1260A0	NOK	222430	AE2231E	NOK	223831	AE2786E	NOK	228480
AE0328F	NOK	6863S	AE1306E	NOK	222535	AE2231E0	NOK	223831	AE2786E0	NOK	228480
AE0328F0	NOK	6863S	AE1306E0	NOK	222535	AE2240A0	NOK	710319	AE2788H	NOK	1994
AE0371E0	NOK	221207	AE1306K0	NOK	222535	AE2240I0	NOK	710319	AE2788H1	NOK	1994
AE0371P0	NOK	221207	AE1307E1	NOK	222535	AE2240J0	NOK	223842	AE2791A0	NOK	1994
AE0371R0	NOK	221207	AE1450E	NOK	472138	AE2240A	NOK	710319	AE2808E0	NOK	710305
AE0371E	NOK	221207	AE1450E0	NOK	472138	AE2240I	NOK	710319	AE2808E	NOK	710305
AE0371P	NOK	221207	AE1452E	NOK	321516	AE2240J	NOK	223842	AE2831E0	NOK	225005
AE0371R	NOK	221207	AE1452E	NOK	471516	AE226E	NOK	350156	AE2831E	NOK	225005
AE0442G	NOK	342613	AE1452E0	NOK	321516	AE2280E	NOK	470625	AE2847E0	NOK	225020
AE0442G0	NOK	342613	AE1452E0	NOK	471516	AE2343E	NOK	224015	AE2847E	NOK	225020
AE0451E	NOK	471442	AE1474A0	NOK	710399	AE2343E0	NOK	224015	AE28879	JOHND	481181
AE0451F	NOK	471442	AE1474A	NOK	710399	AE2359H	NOK	224020	AE28879	JOHND	481181N
AE0451F0	NOK	471442	AE1512F	NOK	1990	AE2359H0	NOK	224020	AE2888E	NOK	225050
AE0452E	NOK	471442	AE1513E0	NOK	222745	AE2365G0	NOK	710598	AE2888E0	NOK	225050
AE0519J	NOK	710116	AE1513E	NOK	222745	AE2365E	NOK	224026	AE2919E	NOK	472492
AE0582E	NOK	2027	AE15290	WILYS	471538	AE2365E0	NOK	224026	AE2919E0	NOK	472492
AE0582E0	NOK	2027	AE1599E	NOK	471652	AE2365G	NOK	710598	AE2942E	NOK	410102
AE0598A0	NOK	221540	AE1679H0	NOK	1981	AE2367E0	NOK	710505	AE2942E0	NOK	410102
AE0654E	NOK	471264	AE1679L0	NOK	1981	AE2367E	NOK	710505	AE2960F	NOK	225230
AE0654E0	NOK	471264	AE1679T0	NOK	1981	AE2386H	NOK	224045	AE2960F0	NOK	225230
AE0658E	NOK	471255	AE1679A0	NOK	223014	AE2386H1	NOK	224045	AE29658	JOHND	5650
AE0658E0	NOK	471255	AE1679T	NOK	1981	AE2388A0	NOK	224045	AE30471	JOHND	471760
AE0685G	NOK	221610	AE1692E1	NOK	223020	AE2390K0	NOK	224045	AE3103E	NOK	1984
AE0685G0	NOK	221610	AE1723F0	NOK	223035	AE2419E0	NOK	350572	AE3148F1	NOK	225875
AE0687A0	NOK	221620	AE17384	WILYS	340385	AE2419E	NOK	350572	AE3148F	NOK	225875
AE0745E1	NOK	221720	AE1820E	NOK	474278	AE2420F0	NOK	710523	AE318E	NOK	6863S
AE0751H0	NOK	221730	AE1820E0	NOK	474278	AE2420F	NOK	710523	AE3297A0	NOK	226285
AE0815E0	NOK	221820	AE1894G	NOK	223240	AE2426G0	NOK	710113	AE3375E0	NOK	710277
AE0815E	NOK	221820	AE1894G0	NOK	223240	AE2426G	NOK	710113	AE3375E	NOK	710277
AE0816E0	NOK	221820	AE1902E	NOK	223255	AE24599	JOHND	470380	AE3409A0	NOK	226530
AE0816F0	NOK	221820	AE1902E0	NOK	223255	AE2483E0	NOK	224210	AE3519A0	NOK	227045
AE0816G0	NOK	221820	AE1904I0	NOK	1167	AE2483E	NOK	224210	AE3521E	NOK	227045
AE0816E	NOK	221820	AE1904A0	NOK	1167	AE2492E	NOK	1953	AE3521E0	NOK	227045
AE0816F	NOK	221820	AE1904I	NOK	1167	AE2492E0	NOK	1953	AE3618A0	NOK	227550
AE0816G	NOK	221820	AE1952E	NOK	1953	AE2493E	NOK	1953	AE3744A0	NOK	228020
AE0817E	NOK	221820	AE1952E0	NOK	1953	AE2493E0	NOK	1953	AE37476	JOHND	415449
AE0817E0	NOK	221820	AE2005E	NOK	472258	AE2493J	NOK	1953	AE37477	JOHND	471831
AE0870E0	NOK	221922	AE2005E0	NOK	472258	AE2520F0	NOK	710195	AE3786E0	NOK	228480
AE0870E	NOK	221922	AE2011E	NOK	471192	AE2520F	NOK	710195	AE3786E	NOK	228480
AE0900E	NOK	1049	AE2011E0	NOK	471192	AE2589E	NOK	472164	AE3842A0	NOK	228520
AE0900E0	NOK	1049	AE2022E	NOK	323125	AE2589E0	NOK	472164	AE4054P0	NOK	231004
AE0913E	NOK	470954	AE2022E	NOK	450456	AE2596E	NOK	323119	AE4063F	NOK	231003
AE0913E0	NOK	470954	AE2022E0	NOK	323125	AE2596E0	NOK	323119	AE4063F0	NOK	231003
AE0915F	NOK	470954	AE2022E0	NOK	450456	AE2643E	NOK	224520	AE442G	NOK	342613
AE0915F0	NOK	470954	AE2041E0	NOK	223510	AE2643E0	NOK	224520	AE6873E	NOK	470543
AE0917E	NOK	221820	AE2041E	NOK	223510	AE2643E1	NOK	224520	AE6873E	NOK	474272
AE0917E0	NOK	221820	AE2048K0	NOK	710051	AE2650E	NOK	1012N	AE6873E0	NOK	470543
AE0997E	NOK	222020	AE2048K	NOK	710051	AE2650E0	NOK	1012N	AE6873E0	NOK	474272
AE0997E0	NOK	222020	AE2048M	NOK	1108	AE2653E	NOK	1012N	AE6901E0	NOK	710396
AE1012G	NOK	222030	AE2057A0	NOK	223520	AE2653E0	NOK	1012N	AE6901E	NOK	710396
AE1012G0	NOK	222030	AE2068E	NOK	223535	AE2685N	NOK	224570	AE6922E	NOK	471733
AE1013A0	NOK	222030	AE2068E0	NOK	223535	AE2774G0	NOK	224810	AE6922E0	NOK	471733
AE10212	WILYS	471466	AE2071F	NOK	223535	AE2774F	NOK	224810	AE7103E	NOK	204020
AE1029E	NOK	222050	AE2071F0	NOK	223535	AE2774G	NOK	224810	AE7103E	NOK	204505
AE1029E0	NOK	222050	AE2072E	NOK	223535	AE2774G03X1	NOK	224810	AE7126E	NOK	472658

INTERCHANGE SECTION

COMPETITIVE INTERCHANGES



Mfr No.	Mfr. National	Mfr No.	Mfr. National	Mfr No.	Mfr. National	Mfr No.	Mfr. National
AE7126E	NOK 473197	AE8427E	NOK 471766	AF1178E0	NOK 7014S	AF2548E0	NOK 442251
AE7126E0	NOK 472658	AE8427E0	NOK 471766	AF1190A	FORD 6815	AF2548E	NOK 442251
AE7126E0	NOK 473197	AE8441E	NOK 323133	AF1190A1	FORD 6815	AF2592E	NOK 205015
AE7139E	NOK 415001	AE8441E0	NOK 323133	AF1190A2	FORD 6815	AF2592E0	NOK 205015
AE7139E0	NOK 415001	AE8548E0	NOK 474278	AF1399E	NOK 240731	AF2597E	NOK 204038
AE7145E1	NOK 472681	AE8548E	NOK 474278	AF1399E0	NOK 240731	AF2597E0	NOK 204038
AE7145E1	NOK 473259	AE8558E	NOK 472238	AF1576R	JOHND 330385	AF2640E	NOK 224520
AE7150E	NOK 473427	AE8558E0	NOK 472238	AF1588F	NOK 340835	AF2640E0	NOK 224520
AE7150E0	NOK 473427	AE8798F0	NOK 224250	AF1588F0	NOK 340835	AF2643R	JOHND 450441
AE7175E	NOK 471192	AE8798G0	NOK 224250	AF1591E	NOK 312140	AF2643R	JOHND 471341
AE7175E0	NOK 471192	AE8798F	NOK 224250	AF1591E0	NOK 312140	AF2655E	NOK 1992
AE7431E	NOK 416154	AE8798G	NOK 224250	AF1609E	NOK 203020	AF2655E0	NOK 1992
AE7431E0	NOK 416154	AE8903E	NOK 7214	AF1609E0	NOK 203020	AF2659	JOHND 415035
AE7617E	NOK 471529	AE8903E0	NOK 7214	AF1616E	NOK 203003	AF2659	JOHND 415953
AE7617E0	NOK 471529	AEA9239A	FAIRB 471442	AF1616E0	NOK 203003	AF2659R	JOHND 415035
AE7642E	NOK 471612	AEC621	LEYLD 471195	AF1778E	NOK 40162S	AF2659R	JOHND 415953
AE7642E0	NOK 471612	AEC621	LEYLD 481195	AF1778E0	NOK 40162S	AF2749E	NOK 441853
AE7644E	NOK 471549	AE728A0	NOK 710268	AF1789E0	NOK 441319	AF2749E0	NOK 441853
AE7644E	NOK 472467	AE728A	NOK 710268	AF1789E	NOK 441319	AF2788R	JOHND 474276
AE7644E0	NOK 471549	AEK3003	DENCO 473224	AF1790E0	NOK 441319	AF2911R	JOHND 472826
AE7644E0	NOK 472467	AEO9524	MASSE 450352	AF1790E	NOK 441319	AF2920R	JOHND 474276
AE7646E	NOK 472649	AEO9524	MASSE 472164	AF1815G	NOK 343186	AF2936E	NOK 473463
AE7646E0	NOK 472649	AER01889	AVCO 471549	AF1815G0	NOK 343186	AF2993F	NOK 40566S
AE7676E	NOK 473490	AER01956	AVCO 470027	AF1826E	NOK 40140S	AF2993F0	NOK 40566S
AE7676E0	NOK 473490	AER01956	AVCO 471554	AF1826E0	NOK 40140S	AF3134E	NOK 442109
AE7694E	NOK 350974	AER01959	AVCO 450342	AF1836F	NOK 203029	AF3135G	NOK 442109
AE7694E0	NOK 350974	AER01959B	AVCO 450342	AF1836F0	NOK 203029	AF3135G1	NOK 442109
AE7698E	NOK 471498	AERO583D	AVCO 455022	AF1837E	NOK 204029	AF316R	JOHND 417181
AE7698E0	NOK 471498	AERO6100	AVCO 450173	AF1837E	NOK 204507	AF3171F	NOK 442874
AE7705E	NOK 470806	AEX38757	GMC 471231	AF1837E0	NOK 204029	AF3171F0	NOK 442874
AE7705E0	NOK 470806	AF0103E	NOK 340826	AF1837E0	NOK 204507	AF3729E	NOK 228010
AE7708E	NOK 471276	AF0103E0	NOK 340826	AF1925	JOHND 471224	AF545R	JOHND 472185
AE7708E0	NOK 471276	AF0222E	NOK 311189	AF1934R	JOHND 323138	AF7103E1	NOK 204020
AE7739E	NOK 321460	AF0222E0	NOK 311189	AF2018F	NOK 42763	AF7103E1	NOK 204505
AE7739E0	NOK 321460	AF0226E	NOK 350156	AF2018F0	NOK 42763	AF7133E	NOK 204029
AE7766E	NOK 471692	AF0226E0	NOK 350156	AF2135R	JOHND 471442	AF7133E	NOK 204507
AE7766E0	NOK 471692	AF0433E	NOK 342805	AF2221W0	NOK 1196	AF7133E0	NOK 204029
AE7772E	NOK 473211	AF0433E0	NOK 342805	AF2221W	NOK 1196	AF7133E0	NOK 204507
AE7772E0	NOK 473211	AF0437G	NOK 43095S	AF2264F	NOK 343099	AF7172E1	NOK 440972
AE7782F	NOK 470380	AF0437G0	NOK 43095S	AF2264F0	NOK 343099	AF7172E	NOK 440972
AE7782F0	NOK 470380	AF0544E	NOK 472705	AF2272E	NOK 480630	AF7276E	NOK 291099
AE7869E	NOK 472324	AF0544E0	NOK 472705	AF2272E	NOK 480991	AF7276E0	NOK 291099
AE7869E0	NOK 472324	AF0633E	NOK 340849	AF2272E0	NOK 480630	AF7286E	NOK 7840S
AE7925E	NOK 473196	AF0636E	NOK 7399S	AF2272E0	NOK 480991	AF7286E0	NOK 7840S
AE7925E0	NOK 473196	AF0636E0	NOK 7399S	AF2284E	NOK 203013	AF7380E	NOK 473229
AE7939E	NOK 350414	AF0654E	NOK 41264S	AF2284E0	NOK 203013	AF7386E	NOK 340827
AE7939E	NOK 472311	AF0654E0	NOK 41264S	AF2284F	NOK 204013	AF7386E0	NOK 340827
AE7939E0	NOK 350414	AF0888F	NOK 312518	AF2284F0	NOK 204013	AF7593E	JOHND 204008
AE7939E0	NOK 472311	AF0888F0	NOK 312518	AF2285E	NOK 204013	AF7593E	NOK 203008
AE8004E	NOK 351487	AF0910602	MAZDA 710550	AF2285F	NOK 203013	AF7593E0	NOK 203008
AE8004E0	NOK 351487	AF1035E	NOK 222060	AF2285F0	NOK 203013	AF7599E	NOK 481481
AE8013E	NOK 471076	AF1035E0	NOK 222060	AF2285G	NOK 204013	AF7599E0	NOK 481481
AE8013E0	NOK 471076	AF1075E	NOK 471645	AF2285G0	NOK 204013	AF7604F	NOK 204005
AE8073E	NOK 415082	AF1075E0	NOK 471645	AF2399E	NOK 224100	AF7604F0	NOK 204005
AE8073E0	NOK 415082	AF1155R	JOHND 410312N	AF2458F	NOK 204017	AF77047A	FORD 471652
AE8326E	NOK 221540	AF1156R	JOHND 415458	AF2458F0	NOK 204017	AF77047A	FORD 482208
AE8364E	NOK 471570	AF1156R	JOHND 455003	AF2533E	NOK 40154S	AF77047A2	FORD 471652
AE8364E0	NOK 471570	AF1177E	NOK 7014S	AF2533E0	NOK 40154S	AF77047A3	FORD 471652
AE8379E0	NOK 224250	AF1177E0	NOK 7014S	AF2535E	NOK 440265	AF7863E	NOK 3095
AE8379E	NOK 224250	AF1178E	NOK 7014S	AF2535E0	NOK 440265	AF7863E0	NOK 3095

INTERCHANGE SECTION

COMPETITIVE INTERCHANGES

Mfr No.	Mfr.	National	Mfr No.	Mfr.	National	Mfr No.	Mfr.	National	Mfr No.	Mfr.	National
AF7936E	NOK	340356	AG0102E0	NOK	340826	AG2775H0	NOK	1956	AH1260G0	NOK	222540
AF7936E0	NOK	340356	AG0103E	NOK	340826	AG2775Y0	NOK	1956	AH1292F0	NOK	712007
AF8005E	NOK	342517	AG0103E0	NOK	340826	AG2775G	NOK	1956	AH1292H0	NOK	712007
AF8005E0	NOK	342517	AG0213E0	NOK	340385	AG2775H	NOK	1956	AH1292J0	NOK	712007
AF8021E	NOK	41075S	AG0220E1	NOK	340827	AG2775Y	NOK	1956	AH1292P0	NOK	712007
AF8021E0	NOK	41075S	AG0324E	NOK	343101	AG6799Y0	NOK	1974	AH1292F	NOK	712007
AF8057E	NOK	204038	AG0324E0	NOK	343101	AG6900E	NOK	7537S	AH1292H	NOK	712007
AF8057E0	NOK	204038	AG0433H0	NOK	342805	AG6900E0	NOK	7537S	AH1292J	NOK	712007
AF8063E	NOK	204035	AG0433I0	NOK	342805	AG7148E	NOK	221510	AH1292P	NOK	712007
AF8063E0	NOK	204035	AG0437E	NOK	340847	AG7386E	NOK	340827	AH1314F	NOK	222540
AF8088F	NOK	494122	AG0437E0	NOK	340847	AG7386E0	NOK	340827	AH14076	JOHND	471192
AF8224E	NOK	340900	AG0443E	NOK	342613	AG7756E	NOK	340387	AH14080	JOHND	240736
AF8224E0	NOK	340900	AG0443E0	NOK	342613	AG7756E0	NOK	340387	AH14219	JOHND	471689
AF8225E	NOK	41461S	AG0456E	NOK	471526	AG7927E	NOK	340826	AH1467E0	NOK	710816
AF8225E0	NOK	41461S	AG0456E0	NOK	471526	AG7927E0	NOK	340826	AH1467E	NOK	710816
AF8374E	NOK	203020	AG0645E	NOK	340009S	AG8372E	NOK	471633	AH15048	JOHND	471760
AF8374E0	NOK	203020	AG0645E0	NOK	340009S	AG8372E0	NOK	471633	AH1508E0	NOK	712009
AF8389E	NOK	8430S	AG0802E	NOK	710222	AG8409E	NOK	342613	AH1508E	NOK	712009
AF8389E0	NOK	8430S	AG0802E0	NOK	710222	AG8409E0	NOK	342613	AH1512F0	NOK	1990
AF8413E	NOK	8974S	AG0888G	NOK	312518	AG8550E	NOK	1943	AH1512K0	NOK	222743
AF8413E0	NOK	8974S	AG0888G0	NOK	312518	AG8550F	NOK	1943	AH1512E	NOK	1990
AF8418E	NOK	476838	AG1169E	NOK	240733	AG8550F0	NOK	1943	AH1512E0	NOK	1990
AF8418E0	NOK	476838	AG1169E0	NOK	240733	AG8551E	NOK	494117	AH1512F	NOK	1990
AF8426E0	NOK	441319	AG1171E	NOK	340850	AG8756E	NOK	340849	AH1512J	NOK	1990
AF8426E	NOK	441319	AG1171E0	NOK	340850	AG8756E0	NOK	340849	AH1512J0	NOK	223535
AF8495E	NOK	41461S	AG1173E	NOK	340483	AG8796E	NOK	3395	AH1512K	NOK	1990
AF8495E0	NOK	41461S	AG1173E0	NOK	340483	AG8796E0	NOK	3395	AH1512K	NOK	222743
AF8496E	NOK	291099	AG1179F	NOK	340413	AG8936E	NOK	340930	AH1513F0	NOK	222745
AF8496E0	NOK	291099	AG1179F0	NOK	340413	AG8936E0	NOK	340930	AH1513F	NOK	222745
AF8521E	NOK	342517	AG1588E	NOK	340835	AGX49415	JOHND	340400	AH15256	JOHND	340136
AF8521E0	NOK	342517	AG1588E0	NOK	340835	AGX82378A	JOHND	410312N	AH1538H0	NOK	222820
AF8522E0	NOK	1987	AG1593F	NOK	1037	AGX82379A	JOHND	415458	AH1538G	NOK	222820
AF8522E	NOK	1987	AG1593F0	NOK	1037	AGX82379A	JOHND	455003	AH1538G0	NOK	222820
AF8534E	NOK	340850	AG1608E	NOK	323133	AGX96442	JOHND	340151	AH1538H	NOK	222820
AF8534E0	NOK	340850	AG1608E0	NOK	323133	AGX97454	JOHND	471466	AH1544E0	NOK	712008
AF8713E	NOK	204020	AG1815E	NOK	343186	AGY16W	JOHND	470163	AH1544F0	NOK	712008
AF8713E	NOK	204505	AG1815E0	NOK	343186	AGY16W	JOHND	471766	AH1544E	NOK	712008
AF8713E0	NOK	204020	AG213E	NOK	340385	AH0687E	NOK	221620	AH1544F	NOK	712008
AF8713E0	NOK	204505	AG2225F	NOK	1174	AH0736F0	NOK	221710	AH1558H0	NOK	222860
AF8729E	NOK	343104	AG2225F0	NOK	1174	AH0736G0	NOK	221710	AH1558P0	NOK	222860
AF8729E0	NOK	343104	AG2272E	NOK	7537S	AH0736H0	NOK	221710	AH1558H	NOK	222860
AF8741E	NOK	6545	AG2272E0	NOK	7537S	AH0736F	NOK	221710	AH1558P	NOK	222860
AF8741E0	NOK	6545	AG2340E	NOK	224015	AH0736G	NOK	221710	AH16581	JOHND	470358
AF8782E	NOK	351487	AG2340E0	NOK	224015	AH0736H	NOK	221710	AH16581	JOHND	473231
AF8782E0	NOK	351487	AG2386F	NOK	224045	AH0736I	NOK	221710	AH16581H	JOHND	473231
AF8933E	NOK	7934S	AG2386F0	NOK	224045	AH0815E	NOK	221820	AH1665K	NOK	223010
AF8933E0	NOK	7934S	AG2399E	NOK	224100	AH0815E0	NOK	221820	AH1665K0	NOK	223010
AF8934E	NOK	9015S	AG2458E	NOK	473117	AH0816E0	NOK	221820	AH1665E0	NOK	223010
AF8934E0	NOK	9015S	AG2458E0	NOK	473117	AH0816E	NOK	221820	AH1665E	NOK	223010
AF9155E	NOK	8975S	AG2515W	NOK	224270	AH0875A0	NOK	710445	AH1671P0	NOK	223012
AF9155E0	NOK	8975S	AG2515W0	NOK	224270	AH0875A	NOK	710445	AH1671P	NOK	223012
AFS1180	EL-WH	204035	AG2538Y	NOK	1183	AH0984F0	NOK	222025	AH1680F0	NOK	1981
AFS1180E	EL-WH	204035	AG2538Y0	NOK	1183	AH0984E	NOK	222025	AH1680F	NOK	1981
AFS2130P	EL-WH	204038	AG2580F	NOK	7486S	AH0984F	NOK	222025	AH1688E	NOK	223018
AFS2782	EL-WH	204013	AG2580F0	NOK	7486S	AH0984G	NOK	222025	AH1688E0	NOK	223018
AFS3549A	EL-WH	41461S	AG2640E	NOK	224520	AH10466	JOHND	456744N	AH1688F	NOK	223018
AFWS110B	BORGW	40337S	AG2640E0	NOK	224520	AH10888	JOHND	8792S	AH1688F0	NOK	223018
AFX43053	JOHND	472185	AG2772Y	NOK	1188	AH11966	JOHND	473443	AH1706E0	NOK	223051
AGJB230	CONTI	471529	AG2772Y0	NOK	1188	AH11966	JOHND	474274	AH1706F0	NOK	223050
AG0102E	NOK	340826	AG2775G0	NOK	1956	AH1260G	NOK	222540	AH1706G0	NOK	223051

INTERCHANGE SECTION

COMPETITIVE INTERCHANGES



Mfr No.	Mfr. National	Mfr No.	Mfr. National	Mfr No.	Mfr. National	Mfr No.	Mfr. National
AH1706H0	NOK 223050	AH2077H	NOK 710331	AH2261H	NOK 710823	AH2520K	NOK 710245
AH1706E	NOK 223051	AH2077I	NOK 710197	AH2304H0	NOK 710318	AH2520K0	NOK 710245
AH1706F	NOK 223050	AH2077L	NOK 710217	AH2304P0	NOK 223840	AH2520G	NOK 710195
AH1706G	NOK 223051	AH2083H0	NOK 710806	AH2341E0	NOK 1217	AH2520I	NOK 710195
AH1706H	NOK 223050	AH2083E	NOK 223540	AH2341E0	NOK 710308	AH25329	JOHND 43290S
AH17256	JOHND 451857	AH2083G	NOK 223540	AH2341E	NOK 1217	AH2554F0	NOK 224460
AH17911	JOHND 470331N	AH2083H	NOK 710806	AH2341E	NOK 710308	AH2554G0	NOK 224460
AH1880G0	NOK 223230	AH2085G	NOK 223542	AH2342E0	NOK 224052	AH2554H0	NOK 224460
AH1880H0	NOK 223230	AH2085G0	NOK 223542	AH2342F0	NOK 224052	AH2554J0	NOK 224460
AH1880G	NOK 223230	AH2093F1	NOK 2007N	AH2342G0	NOK 224053	AH2554P0	NOK 224460
AH1880H	NOK 223230	AH2093I0	NOK 710315	AH2342E	NOK 224052	AH2554F	NOK 224460
AH1888E0	NOK 710310	AH2093F	NOK 2007N	AH2342F	NOK 224052	AH2554G	NOK 224460
AH1888E	NOK 710310	AH2093G	NOK 2007N	AH2342G	NOK 224053	AH2554H	NOK 224460
AH1893E	NOK 223240	AH2093G0	NOK 2007N	AH2358G0	NOK 473677	AH2554J	NOK 224460
AH1893E0	NOK 223240	AH2093H0	NOK 2007N	AH2358J0	NOK 711005	AH2554P	NOK 224460
AH1895E0	NOK 710317	AH2093I	NOK 710315	AH2358G	NOK 473677	AH2560F	NOK 224464
AH1895E	NOK 710317	AH2096E0	NOK 710666	AH2358J	NOK 711005	AH2564Y0	NOK 224465
AH1904F0	NOK 710306	AH2096E	NOK 710666	AH2359P	NOK 224020	AH2584Q0	NOK 710957
AH1904G0	NOK 710306	AH2134F0	NOK 1173	AH2359P0	NOK 224020	AH2584Q	NOK 710957
AH1904F	NOK 710306	AH2134L0	NOK 710592	AH2361E	NOK 224020	AH2668I0	NOK 710345
AH1904G	NOK 710306	AH2134N0	NOK 710592	AH2361E0	NOK 224020	AH2668J0	NOK 710345
AH19415	JOHND 200763	AH2134F	NOK 1173	AH2365E0	NOK 224026	AH2668Y0	NOK 710345
AH1968I0	NOK 223420	AH2134L	NOK 710592	AH2365H0	NOK 710598	AH2668I	NOK 710345
AH1968F	NOK 223420	AH2134N	NOK 710592	AH2365E	NOK 224026	AH2668J	NOK 710345
AH1968F0	NOK 223420	AH2136E0	NOK 710336	AH2365H	NOK 710598	AH2668Y	NOK 710345
AH1968G	NOK 223420	AH2136F0	NOK 710336	AH2369R0	NOK 710678	AH2677E0	NOK 710665
AH1968G0	NOK 223420	AH2136G0	NOK 223580	AH2369G	NOK 3459	AH2677E	NOK 710665
AH1968I	NOK 223420	AH2136E	NOK 710336	AH2369R	NOK 710678	AH2685F0	NOK 224570
AH1986G	NOK 223420	AH2136F	NOK 710336	AH2414E0	NOK 224068	AH2685H0	NOK 224570
AH2057P0	NOK 3771	AH2136G	NOK 223580	AH2414E	NOK 224068	AH2685F	NOK 224570
AH2057Q0	NOK 3771	AH2145F	NOK 1147	AH2426E0	NOK 712011	AH2685G	NOK 224570
AH2057R0	NOK 3771	AH2145F0	NOK 1147	AH2426E	NOK 712011	AH2685G0	NOK 224570
AH2057J	NOK 713771	AH2145G	NOK 1147	AH2444F0	NOK 711181	AH2685H	NOK 224570
AH2057J0	NOK 713771	AH2145G0	NOK 1147	AH2444F	NOK 711181	AH2691E0	NOK 1979
AH2057J0	NOK 713771	AH21815	JOHND 472258	AH2480E0	NOK 710620	AH2691E0	NOK 710847
AH2057P	NOK 3771	AH2200E0	NOK 710259	AH2480F0	NOK 710620	AH2691F0	NOK 710847
AH2057Q	NOK 3771	AH2200E	NOK 710259	AH2480E	NOK 710620	AH2691G	NOK 1979
AH2057R	NOK 3771	AH2201F	NOK 1177	AH2480F	NOK 710620	AH2691G0	NOK 1979
AH2058E0	NOK 710739	AH2216E0	NOK 223802	AH2483E	NOK 224205	AH2691E	NOK 1979
AH2058F0	NOK 710724	AH2216E	NOK 223802	AH2483E0	NOK 224205	AH2691E	NOK 710847
AH2058G0	NOK 710724	AH2217E0	NOK 223801	AH2484E0	NOK 710719	AH2691F	NOK 710847
AH2058H0	NOK 710739	AH2217E	NOK 223801	AH2484E	NOK 710719	AH2786F	NOK 224840
AH2058E	NOK 710739	AH2218L0	NOK 223801	AH2486F	NOK 494117	AH2786F0	NOK 224840
AH2058F	NOK 710724	AH2218E	NOK 223802	AH2492N0	NOK 2025	AH2788E	NOK 1994
AH2058G	NOK 710724	AH2218E0	NOK 223802	AH2492E	NOK 1953	AH2788E0	NOK 1994
AH2058H	NOK 710739	AH2218L	NOK 223801	AH2492E0	NOK 1953	AH2788H0	NOK 710313
AH2060E0	NOK 3771	AH2219E	NOK 223802	AH2492G	NOK 2025	AH2791G	NOK 1994
AH2060G0	NOK 3771	AH2219E0	NOK 223802	AH2492G0	NOK 2025	AH2791G0	NOK 1994
AH2060W0	NOK 710324	AH2231G0	NOK 223831	AH2492I	NOK 1953	AH2791G1	NOK 710313
AH2060Y0	NOK 3771	AH2231P0	NOK 223830	AH2492I0	NOK 1953	AH2831E0	NOK 225005
AH2060E	NOK 3771	AH2231G	NOK 223831	AH2492J	NOK 1953	AH2831E	NOK 225005
AH2060G	NOK 3771	AH2231P	NOK 223830	AH2492J0	NOK 1953	AH2837F0	NOK 710354
AH2060W	NOK 710324	AH2240H0	NOK 710319	AH2492N	NOK 2025	AH2837F	NOK 710354
AH2060Y	NOK 3771	AH2240I0	NOK 710319	AH2493F	NOK 2025	AH2847G0	NOK 225020
AH2077F0	NOK 710331	AH2240H	NOK 710319	AH2493P	NOK 2025	AH2847G	NOK 225020
AH2077G0	NOK 710331	AH2240I	NOK 710319	AH2493P0	NOK 2025	AH2853G0	NOK 710649
AH2077H0	NOK 710331	AH2240J	NOK 223840	AH2507P	NOK 417494	AH2853H0	NOK 710649
AH2077L0	NOK 710217	AH2249G0	NOK 710721	AH2507P0	NOK 417494	AH2853G	NOK 710649
AH2077F	NOK 710331	AH2249G	NOK 710721	AH2520G0	NOK 710195	AH2853H	NOK 710649
AH2077G	NOK 710331	AH2261H0	NOK 710823	AH2520I0	NOK 710195	AH2854F0	NOK 710173

INTERCHANGE SECTION

COMPETITIVE INTERCHANGES

Mfr No.	Mfr.	National	Mfr No.	Mfr.	National	Mfr No.	Mfr.	National	Mfr No.	Mfr.	National
AH2854F	NOK	710173	AH3734E	NOK	228010	AH7886F	NOK	320583	AH8846E	NOK	710060
AH2864G0	NOK	225040	AH3744Q0	NOK	228020	AH7897E	NOK	6936S	AH8846G	NOK	710060
AH2864G	NOK	225040	AH3744Q	NOK	228020	AH7897E	NOK	9845	AH8846P	NOK	710060
AH2921E0	NOK	8316	AH3786E0	NOK	228480	AH7897E0	NOK	6936S	AH8847P	NOK	224025
AH2921P0	NOK	8316	AH3786E	NOK	228480	AH7897E0	NOK	9845	AHH050A0	NOK	225020
AH2921E	NOK	8316	AH3834H0	NOK	710765	AH7953P0	NOK	710271	AHH052A0	NOK	224020
AH2921P	NOK	8316	AH3834H	NOK	710765	AH7953E	NOK	710271	AHH085A0	NOK	227550
AH2961G0	NOK	710777	AH3983F0	NOK	5274	AH7953P	NOK	710271	AHH144A0	NOK	712007
AH2961G	NOK	710777	AH3983P0	NOK	5274	AH8002E	NOK	332062	AHH254B0	NOK	228010
AH3050Q	NOK	227020	AH3983F	NOK	5274	AH8002E0	NOK	332062	AHH276A0	NOK	228020
AH3187E0	NOK	710740	AH3983P	NOK	5274	AH8002E1	NOK	332062	AHH443A0	NOK	223831
AH3187E	NOK	710740	AH583R	JOHND	471344	AH80324	JOHND	473317	AHH452A0	NOK	1990
AH3222F0	NOK	712006	AH62279	JOHND	471760	AH8045E0	NOK	2016	AHH587B0	NOK	221710
AH3222G0	NOK	712006	AH62281	JOHND	8998	AH8045E	NOK	2016	AHH684A	NOK	223012
AH3222Q0	NOK	712006	AH633R	JOHND	418028	AH8146E0	NOK	710752	AJ0310602	MAZDA	710837
AH3222F	NOK	712006	AH633R	JOHND	455137	AH8146E	NOK	710752	AJ0311312	MAZDA	3909
AH3222G	NOK	712006	AH6901G0	NOK	710396	AH8165F0	NOK	231003	AJ0311312A	MAZDA	3909
AH3340E	NOK	710199	AH6901M0	NOK	710396	AH8165F	NOK	231003	AJ1177A	FORD	473228
AH3502P0	NOK	1019	AH6901G	NOK	710396	AH8291Q	NOK	712005	AJ1177A	FORD	51098
AH3505Q0	NOK	227020	AH6901M	NOK	710396	AH8291Q0	NOK	712005	AJ1177A1	FORD	473228
AH3519S	NOK	227045	AH7036F0	NOK	221710	AH8338E0	NOK	223235	AJ1177A1	FORD	51098
AH3560F	NOK	227235	AH7036F	NOK	221710	AH8338P0	NOK	223235	AJ1177A2	FORD	473228
AH3560F0	NOK	227235	AH7049E	NOK	710051	AH8338P1	NOK	223235	AJ1177A2	FORD	51098
AH3560G	NOK	227235	AH7142F0	NOK	712001	AH8338E	NOK	223235	AJ1177A3	FORD	473228
AH3560G0	NOK	227235	AH7142F	NOK	712001	AH8338P	NOK	223235	AJ1177A3	FORD	51098
AH3560H0	NOK	227235	AH7235E0	NOK	222340	AH8339P0	NOK	1987	AJ1177A4	FORD	473228
AH3560P	NOK	227235	AH7235E	NOK	222340	AH8339P	NOK	1987	AJ1177A4	FORD	51098
AH3618P0	NOK	227550	AH7266F0	NOK	717005	AH8378E	NOK	223608	AJ1177D3	FORD	9568
AH3618E	NOK	227550	AH7266P0	NOK	717005	AH8378E0	NOK	223608	AJ1177F	FORD	9568
AH3618E0	NOK	227550	AH7266F	NOK	717005	AH8490E	NOK	222655	AJ4676A	FORD	7044NA
AH3618R0	NOK	227550	AH7266P	NOK	717005	AH8490E0	NOK	222655	AJ83744	JAGUA	231004
AH3724F0	NOK	228005	AH7288E0	NOK	712011	AH8507F0	NOK	710768	AJ89510	JAGUA	3909
AH3724F	NOK	228005	AH7288G0	NOK	2011	AH8507G0	NOK	710768	AJX1942A	MASSE	450095
AH3724G	NOK	228005	AH7288I0	NOK	2011	AH8507F	NOK	710768	AJX1942A	MASSE	473464
AH3724G0	NOK	228005	AH7288L0	NOK	710591	AH8507G	NOK	710768	AK36310	JOHND	200854
AH3724P0	NOK	228005	AH7288M0	NOK	710670	AH8515E0	NOK	223553	AK36310K	JOHND	200854
AH3730E0	NOK	228013	AH7288E	NOK	712011	AH8515F0	NOK	223553	AK37498	JOHND	40140S
AH3730H0	NOK	228013	AH7288G	NOK	2011	AH8515E	NOK	223553	AL1395N	JOHND	312140
AH3730E	NOK	228013	AH7288H	NOK	712011	AH8515F	NOK	223553	AL1794N	JOHND	471344
AH3730H	NOK	228013	AH7288I	NOK	2011	AH8563E	NOK	8660S	AL20027T	JOHND	450194
AH3730J	NOK	228015	AH7288L	NOK	710591	AH8563E0	NOK	8660S	AL20027T	JOHND	473010
AH3732F0	NOK	228015	AH7288M	NOK	710670	AH8655P0	NOK	1038	AL20185T	JOHND	470059
AH3732M0	NOK	228009	AH7341E	NOK	710008	AH8655P	NOK	1038	AL20185T	JOHND	470380
AH3732E	NOK	228009	AH7343E	NOK	710006	AH8656E0	NOK	1019	AL2020T	JOHND	472144
AH3732E	NOK	228010	AH7343E0	NOK	710006	AH8656E	NOK	1019	AL2021T	JOHND	450066
AH3732E0	NOK	228009	AH7344E	NOK	711553	AH86595	JOHND	450067	AL2021T	JOHND	473367
AH3732F	NOK	228015	AH75295	JOHND	310841	AH86595	JOHND	473228	AL2094T	JOHND	471192
AH3732G	NOK	228009	AH75296	JOHND	471808	AH86596	JOHND	450070	AL2095T	JOHND	450185
AH3732G0	NOK	228009	AH7592E	NOK	2942	AH86596	JOHND	472185	AL2095T	JOHND	473229
AH3732I0	NOK	228009	AH7592E0	NOK	2942	AH8740F0	NOK	223750	AL2122T	JOHND	471763
AH3732J	NOK	228009	AH76193	JOHND	473237	AH8740G0	NOK	223750	AL2123T	JOHND	470064
AH3732J0	NOK	228009	AH7622F	NOK	3393	AH8740F	NOK	223750	AL2123T	JOHND	471821
AH3732L0	NOK	228015	AH7622F0	NOK	3393	AH8740G	NOK	223750	AL2124T	JOHND	450083
AH3732M	NOK	228009	AH7689E0	NOK	350609	AH8740H	NOK	223750	AL2124T	JOHND	472924
AH3732N	NOK	228009	AH7689J0	NOK	350609	AH8740H0	NOK	223750	AL2172T	JOHND	471763
AH3732N0	NOK	228009	AH7689E	NOK	350609	AH8811E0	NOK	4901	AL2257T	JOHND	471224
AH3733Q	NOK	228010	AH7689J	NOK	350609	AH8811E	NOK	4901	AL2258T	JOHND	470954
AH3733Q0	NOK	228009	AH7743E0	NOK	222742	AH8846E0	NOK	710060	AL2258T	JOHND	480954
AH3733R0	NOK	228010	AH7743E	NOK	222742	AH8846G0	NOK	710060	AL26537	JOHND	471763
AH3734E0	NOK	228010	AH7886F0	NOK	320583	AH8846P0	NOK	710060	AL2653T	JOHND	471763

INTERCHANGE SECTION

COMPETITIVE INTERCHANGES



Mfr No.	Mfr.	National	Mfr No.	Mfr.	National	Mfr No.	Mfr.	National	Mfr No.	Mfr.	National
AL2654T	JOHND	345146	AMX13503	ALLCH	473197	AMX42646	ALLCH	415449	AP0816F	NOK	221820
AL4360	CATER	455121	AMX13916	ALLCH	471255	AMX42646	ALLCH	455147	AP0913E	NOK	470954
ALK62850	CONTI	471554	AMX14034	ALLCH	472185	AMX44599	ALLCH	412920	AP1003E0	NOK	222028
AM0110507	MAZDA	224840	AMX14036	ALLCH	474274	AMX46121	ALLCH	470403	AP1003E	NOK	222028
AM0111399	MAZDA	228005	AMX14354	ALLCH	472705	AMX46121	ALLCH	470774	AP1181E	NOK	471267
AM1091T	JOHND	450076	AMX14378	ALLCH	450078	AMX46446	ALLCH	413247	AP1181E0	NOK	471267
AM1091T	JOHND	470334	AMX14378	ALLCH	473444	AMX46446	ALLCH	450350	AP1295	MINNM	470059
AM1162T	JOHND	450173	AMX15842	ALLCH	415995	AMX46837	ALLCH	415027	AP1295	MINNM	470380
AM1717T	JOHND	450083	AMX15842	ALLCH	455013	AMX46837	ALLCH	455027	AP1295	WHITE	470059
AM1717T	JOHND	472924	AMX16237	ALLCH	470354	AMX50360	ALLCH	472179	AP1295	WHITE	470380
AM1842T	JOHND	470950	AMX16397	ALLCH	470163	AMX53664	ALLCH	415371	AP1430E	NOK	471649
AM1842T	JOHND	6241S	AMX16397	ALLCH	471766	AMX71042	JOHND	471747	AP1636G	NOK	474260
AM1977T	JOHND	470358	AMX19347	ALLCH	470590	AMX71042	JOHND	472674	AP1636G0	NOK	474260
AM1977T	JOHND	473231	AMX19959	ALLCH	471570	AMX71043	JOHND	471571	AP18387	JOHND	470403
AM205	FMC	415995	AMX20069	ALLCH	414268	AMX71043A	JOHND	471647	AP18387	JOHND	470774
AM205	FMC	455013	AMX20069	ALLCH	450539	AMX71177	JOHND	472287	AP18387H	JOHND	470403
AM205	LK-BT	415995	AMX20099	ALLCH	240736	AMX76410	JOHND	451583	AP18387H	JOHND	470774
AM205	LK-BT	455013	AMX20296	ALLCH	472354	AMX76433	JOHND	470120	AP19068	JOHND	712270
AM2133T	JOHND	450352	AMX20296	ALLCH	50395S	AMX76433	JOHND	471224	AP19068H	JOHND	712270
AM2133T	JOHND	472164	AMX20637	ALLCH	6759S	AMX76655	JOHND	471763	AP19214H	JOHND	417191
AM220T	JOHND	345035	AMX20668	ALLCH	472439	AMX81974	JOHND	471472	AP19243	JOHND	450076
AM2258T	JOHND	472287	AMX2146	ALLCH	470543	AN100904	JOHND	40395	AP19243	JOHND	470334
AM2446T	JOHND	323138	AMX2146	ALLCH	474272	AN100904	JOHND	40395S	AP19360H	JOHND	350954
AM253T	JOHND	471192	AMX21859	ALLCH	340771	AN102006	JOHND	472492	AP19360H	JOHND	470954
AM2553T	JOHND	340853	AMX2262	ALLCH	471646	AN10535	JOHND	203008	AP19509	JOHND	40652S
AM260T	JOHND	450154	AMX2263	ALLCH	471354	AN10535	JOHND	204008	AP19547	JOHND	340151
AM260T	JOHND	473234	AMX22904	ALLCH	340724	AN10535N	JOHND	204008	AP20035H	JOHND	471737
AM263	JOHND	470548	AMX23148	ALLCH	472299	AN12151	JOHND	471869	AP20413	JOHND	472354
AM263	JOHND	470625	AMX24126	ALLCH	473463	AN12151	JOHND	473459	AP20413	JOHND	50395S
AM263T	JOHND	470548	AMX24127	ALLCH	473463	AN12151N	JOHND	471869	AP21123	JOHND	415995
AM263T	JOHND	470625	AMX24130	ALLCH	471570	AN12151N	JOHND	473459	AP21123	JOHND	455013
AM2684T	JOHND	473179	AMX24131	ALLCH	471192	AN12717	JOHND	471831	AP22072	DAVEY	450094
AM268T	JOHND	472924	AMX24133	ALLCH	411376	AN12717N	JOHND	471831	AP22072	DAVEY	473462
AM2723T	JOHND	410496	AMX24133	ALLCH	455093	AN140226	JOHND	471750	AP22325	JOHND	340823
AM2732T	JOHND	410496	AMX24137	ALLCH	417172	AN140227	JOHND	472144	AP22520	JOHND	473016
AM2773T	JOHND	472924	AMX24138	ALLCH	470059	AN150038	JOHND	416556	AP22619	JOHND	340483
AM2775T	JOHND	410496	AMX24138	ALLCH	470380	AN150038	JOHND	472157	AP23236	JOHND	40555
AM3094	JOHND	712260	AMX25866	ALLCH	450621	AN152118	JOHND	472826	AP23236	JOHND	40555S
AM3094T	JOHND	712260	AMX2642	ALLCH	470605	AN163876	JOHND	472924	AP24013	JOHND	471795
AM3572T	JOHND	472144	AMX281151	ALLCH	450352	AN181409	JOHND	204029	AP24021	JOHND	471801
AM381T	JOHND	470120	AMX281151	ALLCH	472164	AN181409	JOHND	204507	AP24021H	JOHND	471192
AM381T	JOHND	471224	AMX30832	ALLCH	412861	AN181410	JOHND	204017	AP24106H	JOHND	200600
AM727T	JOHND	345035	AMX30920	ALLCH	471801	AN181411	JOHND	471267	AP24550	JOHND	470590
AM878T	JOHND	480479H	AMX31045	ALLCH	473245	AN190473	JOHND	450523	AP2492	MINNM	471354
AM937T	JOHND	410496	AMX33653	ALLCH	415027	AN30647	JOHND	450400	AP2492	OLIVE	471354
AM939T	JOHND	410496	AMX33653	ALLCH	455027	AN31885	JOHND	473016	AP26239	JOHND	470590
AM965	FMC	450519	AMX336532	ALLCH	416125	AN32745N	JOHND	473237	AP26381H	JOHND	413246
AM965	FMC	471271	AMX36553	ALLCH	415234	AN70684	JOHND	350936	AP26381H	JOHND	413246N
AM965	LK-BT	450519	AMX36817	ALLCH	472144	AN70684N	JOHND	350936	AP26382H	JOHND	472012
AM965	LK-BT	471271	AMX368171	ALLCH	472144	AN71194N	JOHND	350936	AP26383H	JOHND	471760
AMK772	DENCO	471192	AMX36818	ALLCH	470086	AN71578N	JOHND	470403	AP26405	JOHND	340771
AMX10783	ALLCH	473473	AMX368181	ALLCH	470086	AN71578N	JOHND	470774	AP2816	OLIVE	450067
AMX11252	ALLCH	471192	AMX36842	ALLCH	480630	ANT50239	MASER	223010	AP2816	OLIVE	473228
AMX11852	ALLCH	471192	AMX368421	ALLCH	480630	AP0549E	NOK	472705	AP2816	WHITE	473228
AMX12593	ALLCH	472354	AMX37257	ALLCH	415234	AP0549E0	NOK	472705	AP3169	OLIVE	5976S
AMX12593	ALLCH	50395S	AMX372571	ALLCH	415234	AP0743G0	NOK	221720	AP3653	MINNM	450030
AMX1284	ALLCH	416888	AMX37590	ALLCH	470351	AP0743G	NOK	221720	AP3653	MINNM	474253
AMX1284	ALLCH	455200	AMX37590	ALLCH	471504	AP0786E	NOK	471529	AP3653	WHITE	473413
AMX13435	ALLCH	473215	AMX375901	ALLCH	470351	AP0786E0	NOK	471529	AP3654	OLIVE	5872S
AMX13503	ALLCH	472658	AMX375901	ALLCH	471504	AP0816F0	NOK	221820	AP3654	WHITE	5872S

INTERCHANGE SECTION

COMPETITIVE INTERCHANGES

Mfr No.	Mfr.	National	Mfr No.	Mfr.	National	Mfr No.	Mfr.	National	Mfr No.	Mfr.	National
AP6842E	NOK	473448	AR0587E	NOK	221510	AR2908E	NOK	40401	AR7277E	NOK	240731
AP6842E0	NOK	473448	AR0677E0	NOK	710862	AR2908E0	NOK	40401	AR7277E0	NOK	240731
AP68930	LUF	415196	AR0677E5	NOK	710862	AR29326	JOHND	240735	AR7302E	NOK	46997S
AP72745	LUF	J1121	AR0677G0	NOK	710862	AR29326R	JOHND	240735	AR7382E	NOK	472185
AP7430E	NOK	480821	AR0677E	NOK	710862	AR31882R	JOHND	5666	AR7382E0	NOK	472185
AP7430E0	NOK	480821	AR0677G	NOK	710862	AR3329E	NOK	40555	AR7383E	NOK	472185
AP7740E	NOK	471337	AR0785E0	NOK	3667	AR3329E	NOK	40555S	AR74813	JOHND	471271
AP7861E	NOK	471735	AR0785E	NOK	3667	AR3329E0	NOK	40555	AR78189	JOHND	416865
AP7861E0	NOK	471735	AR0888E	NOK	240735	AR3329E0	NOK	40555S	AR78259	JOHND	455330
AP7864E	NOK	470680	AR0888E0	NOK	240735	AR389R	JOHND	471570	AR7901E	NOK	343099
AP7864E	NOK	471570	AR0893E	NOK	240816	AR39043	JOHND	471442	AR7901E0	NOK	343099
AP7935F	NOK	8773S	AR0893E0	NOK	240816	AR39052	JOHND	471224	AR79581	JOHND	416327
AP7935F0	NOK	8773S	AR0897E	NOK	343185	AR39117	JOHND	471652	AR8081E	NOK	7399S
AP7937E	NOK	471787	AR0897E0	NOK	343185	AR40687	JOHND	311189	AR8081E0	NOK	7399S
AP7937E0	NOK	471787	AR0913G	NOK	350679	AR40737	JOHND	471271	AR85311	JOHND	416047
AP8212F	NOK	482576N	AR0913G	NOK	470954	AR41795	JOHND	470351	AR85311	JOHND	416332
AP8212F0	NOK	482576N	AR0913G0	NOK	350679	AR42005	JOHND	415836	AR87199	JOHND	416332
AP8214F	NOK	471688	AR0913G0	NOK	470954	AR42005	JOHND	415995	AR94262	JOHND	417343
AP8214F0	NOK	471688	AR103873	JOHND	471281	AR42330	JOHND	455151	AR94610	JOHND	455195
AP8240E	NOK	8059S	AR1168E	NOK	240733	AR44137	JOHND	417563	AR94610	JOHND	472157
AP8240E0	NOK	8059S	AR1168E0	NOK	240733	AR44138	JOHND	416380	AR963R	JOHND	40169S
AP8785E	NOK	481481	AR1201R	JOHND	320457	AR44949	JOHND	5666	AR98649	JOHND	416332
AP8785E0	NOK	481481	AR1335R	JOHND	472560N	AR44950	JOHND	5666	AREX80020	JOHND	5976S
APO1295	OLIVE	470059	AR1335R	JOHND	50151S	AR45399	JOHND	415371	ARX99437	JOHND	415021
APO1295	OLIVE	470380	AR1399F	NOK	240731	AR45401	JOHND	416339	ARX99437A	JOHND	415035
APO1296	OLIVE	450593	AR1399F0	NOK	240731	AR46102	JOHND	45031S	ARX99437A	JOHND	455035
APO1612	OLIVE	450066	AR1587R	JOHND	450400	AR48946	JOHND	5666	AS44201	WGEAR	450185
APO1612	OLIVE	473367	AR1588F	NOK	340835	AR49025	JOHND	472826	AS44201	WGEAR	473229
APO2492	OLIVE	471354	AR1592E	NOK	1037	AR49025	JOHND	5666	AS49838	C-P	451583
APO2492	WHITE	471354	AR1593G	NOK	1037	AR49592	JOHND	200855	AS568001	AS568	001PKG
AQ28293K	JOHND	6575S	AR1593G0	NOK	1037	AR51561	JOHND	412473	AS568002	AS568	002PKG
AQ28293KA	JOHND	6575S	AR1774F	NOK	340817	AR51561	JOHND	415894	AS568003	AS568	003PKG
AQ28735	JOHND	471870	AR1774F0	NOK	340817	AR515N	JOHND	712270	AS568004	AS568	004PKG
AQ28735	JOHND	471883	AR1818F	NOK	240356	AR52224	JOHND	472258	AS568005	AS568	005PKG
AQX124666	JOHND	471649	AR1818F0	NOK	240356	AR52258	JOHND	417563	AS568006	AS568	006PKG
AQX20382	JOHND	471646	AR1995E	NOK	340853	AR52259	JOHND	416380	AS568007	AS568	007PKG
AQX22853	JOHND	415076	AR1995E0	NOK	340853	AR531	JOHND	472287	AS568008	AS568	008PKG
AQX26585	JOHND	471737	AR1997E	NOK	40395	AR531R	JOHND	472287	AS568009	AS568	009PKG
AQX32982H	JOHND	340136	AR1997E	NOK	40395S	AR56967	JOHND	417210	AS568010	AS568	010PKG
AQX35627	JOHND	473225	AR1997E0	NOK	40395	AR58155	JOHND	417254	AS568011	AS568	011PKG
AQX37171	JOHND	471192	AR1997E0	NOK	40395S	AR58512	JOHND	455576	AS568012	AS568	012PKG
AQX37375	JOHND	473016	AR20077R	JOHND	472258	AR58716	JOHND	3492V	AS568013	AS568	013PKG
AQX38321	JOHND	471684	AR2022E	NOK	323125	AR608R	JOHND	471763	AS568014	AS568	014PKG
AQX38321	JOHND	471698	AR2022E	NOK	450456	AR618R	JOHND	451583	AS568015	AS568	015PKG
AQX42643	JOHND	471795	AR2266F0	NOK	40382	AR62328	JOHND	470954	AS568016	AS568	016PKG
AQX42844	JOHND	473205	AR2266F	NOK	40382	AR64671	JOHND	471231	AS568017	AS568	017PKG
AQX43411	JOHND	200600	AR2268F	NOK	240319	AR66751	JOHND	416011	AS568018	AS568	018PKG
AQX48731	JOHND	470590	AR2268F0	NOK	240319	AR66751	JOHND	417621	AS568019	AS568	019PKG
AQX62213	JOHND	203008	AR2269F	NOK	240319	AR66752	JOHND	416888	AS568020	AS568	020PKG
AQX68086	JOHND	472234	AR2269F0	NOK	240319	AR67942	JOHND	471272V	AS568021	AS568	021PKG
AQX68090	JOHND	471192	AR2575F	NOK	340400	AR67942	JOHND	712250	AS568022	AS568	022PKG
AQX70116	JOHND	240736	AR2575F0	NOK	340400	AR6868E	NOK	473237	AS568023	AS568	023PKG
AQX70245	JOHND	240733	AR26480	JOHND	200855	AR6868E1	NOK	473237	AS568024	AS568	024PKG
AQX76268	JOHND	340136	AR26480R	JOHND	200855	AR69584	JOHND	471138	AS568025	AS568	025PKG
AR55216	JOHND	470380	AR26706	JOHND	415991	AR7108E	NOK	240151	AS568026	AS568	026PKG
AR7708	CUMMI	5026	AR26939R	JOHND	450867	AR7108E0	NOK	240151	AS568027	AS568	027PKG
AR98650	JOHND	412473	AR26939R	JOHND	470898	AR71558	JOHND	471271	AS568028	AS568	028PKG
AR0437E	NOK	8792S	AR27806	JOHND	7208S	AR72375	JOHND	204013	AS568029	AS568	029PKG
AR0437E0	NOK	8792S	AR28201R	JOHND	417484N	AR7241E	NOK	340823	AS568030	AS568	030PKG
AR0587E0	NOK	221510	AR28201R	JOHND	455322	AR7241E0	NOK	340823	AS568031	AS568	031PKG

INTERCHANGE SECTION

COMPETITIVE INTERCHANGES



Mfr No.	Mfr.	National	Mfr No.	Mfr.	National	Mfr No.	Mfr.	National	Mfr No.	Mfr.	National
AS568032	AS568	032PKG	AS568210	AS568	210PKG	AS568270	AS568	270PKG	AS568454	AS568	454PKG
AS568033	AS568	033PKG	AS568211	AS568	211PKG	AS568271	AS568	271PKG	AS568455	AS568	455PKG
AS568034	AS568	034PKG	AS568212	AS568	212PKG	AS568272	AS568	272PKG	AS568456	AS568	456PKG
AS568035	AS568	035PKG	AS568213	AS568	213PKG	AS568273	AS568	273PKG	AS568457	AS568	457PKG
AS568036	AS568	036PKG	AS568214	AS568	214PKG	AS568274	AS568	274PKG	AS568458	AS568	458PKG
AS568037	AS568	037PKG	AS568215	AS568	215PKG	AS568325	AS568	325PKG	AS568459	AS568	459PKG
AS568038	AS568	038PKG	AS568216	AS568	216PKG	AS568326	AS568	326PKG	AS568460	AS568	460PKG
AS568039	AS568	039PKG	AS568217	AS568	217PKG	AS568327	AS568	327PKG	AS7927	AVCO	415458
AS568040	AS568	040PKG	AS568218	AS568	218PKG	AS568328	AS568	328PKG	AS7927	AVCO	455003
AS568041	AS568	041PKG	AS568219	AS568	219PKG	AS568329	AS568	329PKG	AS96417	C-P	340817
AS568042	AS568	042PKG	AS568220	AS568	220PKG	AS568330	AS568	330PKG	ASF5726	AU-WS	472636
AS568043	AS568	043PKG	AS568221	AS568	221PKG	AS568331	AS568	331PKG	ASF5727A	AU-WS	415003
AS568044	AS568	044PKG	AS568222	AS568	222PKG	AS568332	AS568	332PKG	ASF5727A	AU-WS	415458
AS568045	AS568	045PKG	AS568223	AS568	223PKG	AS568333	AS568	333PKG	ASF5853	AU-WS	417344
AS568110	AS568	110PKG	AS568224	AS568	224PKG	AS568334	AS568	334PKG	ASF5853A	AU-WS	417344
AS568111	AS568	111PKG	AS568225	AS568	225PKG	AS568335	AS568	335PKG	ASF5979	AU-WS	40230S
AS568112	AS568	112PKG	AS568226	AS568	226PKG	AS568336	AS568	336PKG	ASF5979A	AU-WS	40230S
AS568113	AS568	113PKG	AS568227	AS568	227PKG	AS568337	AS568	337PKG	ASF6000	AU-WS	450067
AS568114	AS568	114PKG	AS568228	AS568	228PKG	AS568338	AS568	338PKG	ASF6000	AU-WS	473228
AS568115	AS568	115PKG	AS568229	AS568	229PKG	AS568339	AS568	339PKG	ASF6000A	AU-WS	450067
AS568116	AS568	116PKG	AS568230	AS568	230PKG	AS568340	AS568	340PKG	ASF6000A	AU-WS	473228
AS568117	AS568	117PKG	AS568231	AS568	231PKG	AS568341	AS568	341PKG	ASF6001	AU-WS	474274
AS568118	AS568	118PKG	AS568232	AS568	232PKG	AS568342	AS568	342PKG	ASF7590A	AU-WS	40652S
AS568119	AS568	119PKG	AS568233	AS568	233PKG	AS568343	AS568	343PKG	ASF9155	B-L-H	415449
AS568120	AS568	120PKG	AS568234	AS568	234PKG	AS568344	AS568	344PKG	ASK4382110	BORGW	410308
AS568121	AS568	121PKG	AS568235	AS568	235PKG	AS568345	AS568	345PKG	ASK4382110	BORGW	450308
AS568122	AS568	122PKG	AS568236	AS568	236PKG	AS568346	AS568	346PKG	ASK438279	BORGW	410308
AS568123	AS568	123PKG	AS568237	AS568	237PKG	AS568347	AS568	347PKG	ASK438279	BORGW	450308
AS568124	AS568	124PKG	AS568238	AS568	238PKG	AS568348	AS568	348PKG	AT10344T	JOHND	470361
AS568125	AS568	125PKG	AS568239	AS568	239PKG	AS568349	AS568	349PKG	AT10344T	JOHND	472193
AS568126	AS568	126PKG	AS568240	AS568	240PKG	AS568357	AS568	357PKG	AT1106Z	OWS	474276
AS568127	AS568	127PKG	AS568241	AS568	241PKG	AS568425	AS568	425PKG	AT11492T	JOHND	472560N
AS568128	AS568	128PKG	AS568242	AS568	242PKG	AS568426	AS568	426PKG	AT11492T	JOHND	50151S
AS568129	AS568	129PKG	AS568243	AS568	243PKG	AS568427	AS568	427PKG	AT11665T	JOHND	481163
AS568130	AS568	130PKG	AS568244	AS568	244PKG	AS568428	AS568	428PKG	AT11676T	JOHND	473517
AS568131	AS568	131PKG	AS568245	AS568	245PKG	AS568429	AS568	429PKG	AT11888	JOHND	472287
AS568132	AS568	132PKG	AS568246	AS568	246PKG	AS568430	AS568	430PKG	AT11927	JOHND	6703S
AS568133	AS568	133PKG	AS568247	AS568	247PKG	AS568431	AS568	431PKG	AT11979T	JOHND	471869
AS568134	AS568	134PKG	AS568248	AS568	248PKG	AS568432	AS568	432PKG	AT11979T	JOHND	473459
AS568135	AS568	135PKG	AS568249	AS568	249PKG	AS568433	AS568	433PKG	AT119T	JOHND	470163
AS568136	AS568	136PKG	AS568250	AS568	250PKG	AS568434	AS568	434PKG	AT119T	JOHND	471766
AS568137	AS568	137PKG	AS568251	AS568	251PKG	AS568435	AS568	435PKG	AT122646	ALLIS	710623
AS568138	AS568	138PKG	AS568252	AS568	252PKG	AS568436	AS568	436PKG	AT12427	JOHND	475380N
AS568139	AS568	139PKG	AS568253	AS568	253PKG	AS568437	AS568	437PKG	AT12427T	JOHND	475380N
AS568140	AS568	140PKG	AS568254	AS568	254PKG	AS568438	AS568	438PKG	AT12540T	JOHND	471138
AS568141	AS568	141PKG	AS568255	AS568	255PKG	AS568439	AS568	439PKG	AT12541	JOHND	417316
AS568142	AS568	142PKG	AS568256	AS568	256PKG	AS568440	AS568	440PKG	AT12541T	JOHND	417316
AS568143	AS568	143PKG	AS568257	AS568	257PKG	AS568441	AS568	441PKG	AT12542	JOHND	473231
AS568144	AS568	144PKG	AS568258	AS568	258PKG	AS568442	AS568	442PKG	AT12542T	JOHND	470358
AS568145	AS568	145PKG	AS568259	AS568	259PKG	AS568443	AS568	443PKG	AT12542T	JOHND	473231
AS568146	AS568	146PKG	AS568260	AS568	260PKG	AS568444	AS568	444PKG	AT12557	JOHND	415991
AS568147	AS568	147PKG	AS568261	AS568	261PKG	AS568445	AS568	445PKG	AT12820T	JOHND	470954
AS568148	AS568	148PKG	AS568262	AS568	262PKG	AS568446	AS568	446PKG	AT12822T	JOHND	470163
AS568149	AS568	149PKG	AS568263	AS568	263PKG	AS568447	AS568	447PKG	AT12822T	JOHND	471766
AS568150	AS568	150PKG	AS568264	AS568	264PKG	AS568448	AS568	448PKG	AT12888	JOHND	7014S
AS568151	AS568	151PKG	AS568265	AS568	265PKG	AS568449	AS568	449PKG	AT12889	JOHND	1049
AS568152	AS568	152PKG	AS568266	AS568	266PKG	AS568450	AS568	450PKG	AT13014	JOHND	41026S
AS568153	AS568	153PKG	AS568267	AS568	267PKG	AS568451	AS568	451PKG	AT13063T	JOHND	340009S
AS568154	AS568	154PKG	AS568268	AS568	268PKG	AS568452	AS568	452PKG	AT13077	JOHND	340495
AS568155	AS568	155PKG	AS568269	AS568	269PKG	AS568453	AS568	453PKG	AT13161	JOHND	415263

INTERCHANGE SECTION

COMPETITIVE INTERCHANGES

Mfr No.	Mfr.	National	Mfr No.	Mfr.	National	Mfr No.	Mfr.	National	Mfr No.	Mfr.	National
AT13161T	JOHND	473237	AT44697	JOHND	475368N	ATY4003	JOHND	450076	AW194294	B-L-H	455035
AT13306T	JOHND	470351	AT47901	JOHND	415449	ATY4003	JOHND	470334	AW194296	B-L-H	417351
AT1393	GR-DV	415836	AT48313	JOHND	204017	ATY4841A	JOHND	345146	AW194296	B-L-H	455154
AT1393	GR-DV	415995	AT48334	JOHND	472924	ATY5135B	JOHND	470163	AW194314	B-L-H	413469
AT13945	JOHND	471737	AT49215	JOHND	473474	ATY5135B	JOHND	471766	AW194332	B-L-H	450519
AT13945T	JOHND	471737	AT4E6701AA	FORD	710896	ATY513S	JOHND	470163	AW194332	B-L-H	471271
AT13956	JOHND	415836	AT4Z6701A	FORD	710896	ATY513S	JOHND	471766	AW194336	B-L-H	416919N
AT13956	JOHND	415995	AT52447	JOHND	472164V	ATY5219B	JOHND	470358	AW194338	B-L-H	416956
AT13956T	JOHND	415836	AT53802	JOHND	455056	ATY5219B	JOHND	473231	AW194354	AU-WS	55301S
AT13956T	JOHND	415995	AT55472	JOHND	417349	ATY5317	JOHND	450083	AW194374	B-L-H	480210
AT13960T	JOHND	471272	AT59652	JOHND	471267V	ATY5317	JOHND	472924	AW194380	B-L-H	470548
AT13963	JOHND	472439	AT6550A	GMC	6988H	ATY5503	JOHND	472287	AW194380	B-L-H	470625
AT14664	JOHND	471765	ATC7064	LEYLD	470898	ATY6517A	JOHND	410163	AW194388	B-L-H	7208S
AT14831	JOHND	470169	ATPC258511AV	Y-T	455253	ATY6517A	JOHND	471766	AW194408	B-L-H	476470
AT14831	JOHND	473214	ATY10746	JOHND	417316	ATY6517F	JOHND	410059	AW194408	CLARK	476470
AT14831T	JOHND	473214	ATY11170A	JOHND	415004	ATY6517F	JOHND	470380	AW194410	B-L-H	410519
AT14835T	JOHND	416891	ATY11170A	JOHND	417316	ATY6563B	JOHND	323138	AW194410	B-L-H	471271
AT14841	JOHND	450441	ATY11172A	JOHND	472287	ATY6577B	JOHND	340853	AW194410	CLARK	471271
AT14841	JOHND	471341	ATY11173A	JOHND	470548	ATY7517A	JOHND	410163	AW194411	B-L-H	416011
AT14841T	JOHND	450441	ATY11173A	JOHND	470625	ATY7517A	JOHND	471766	AW194411	B-L-H	417621
AT14841T	JOHND	471341	ATY11174A	JOHND	470712	ATY9242A	JOHND	471763	AW194412	B-L-H	415442
AT14924T	JOHND	472164	ATY11176	JOHND	450400	ATY9243A	JOHND	470950	AW194412	CLARK	415442
AT15561	JOHND	323138	ATY11176A	JOHND	450400	ATY9243A	JOHND	6241S	AW194414	B-L-H	415146
AT15790	JOHND	6863S	ATY11180	JOHND	473215	ATY9244A	JOHND	470358	AW194414	B-L-H	415991
AT16431	JOHND	417344	ATY11345A	JOHND	240735	ATY9244A	JOHND	473231	AW194414	CLARK	415146
AT16431T	JOHND	417344	ATY11402A	JOHND	470954	ATY9245A	JOHND	450352	AW194414	CLARK	415991
AT16887	JOHND	415458	ATY11519A	JOHND	471869	ATY9245A	JOHND	472164	AW194415	B-L-H	415138
AT16887	JOHND	475458	ATY11519A	JOHND	473459	ATY9245B	JOHND	450352	AW194415	CLARK	415138
AT17325T	JOHND	471413	ATY11738A	JOHND	471737	ATY9245B	JOHND	472164	AW194417	B-L-H	410519
AT18387	JOHND	415003	ATY12170A	JOHND	470163	AU43766	JOHND	200870	AW194417	B-L-H	471271
AT18387	JOHND	415458	ATY12170A	JOHND	471766	AUC1AK9424	WHITE	450117	AW194417	CLARK	471271
AT18387T	JOHND	415003	ATY12340A	JOHND	340483	AUC1AK9424	WHITE	472572	AW194418	B-L-H	470625
AT18387T	JOHND	415458	ATY12340AA	JOHND	340483	AW0119223	MAZDA	221207	AW194418	CLARK	470625
AT18508T	JOHND	473203	ATY13960T	JOHND	410520	AW0119241	MAZDA	710699	AW194426	B-L-H	416664
AT18555T	JOHND	472164	ATY13960T	JOHND	471272	AW0127238	MAZDA	710590	AW194426	CLARK	415085
AT195T	JOHND	345146	ATY1535B	JOHND	470163	AW0127398	MAZDA	710700	AW194430	B-L-H	471138
AT20702	JOHND	471272	ATY1535B	JOHND	471766	AW1027238	MAZDA	710590	AW194430	CLARK	471138
AT20703	JOHND	200133	ATY20047A	JOHND	472164	AW10266	JOHND	473460	AW194431	B-L-H	417343
AT21143T	JOHND	473203	ATY20176B	JOHND	450352	AW10327W	JOHND	471795	AW194431	CLARK	417343
AT21608	JOHND	471272N	ATY20176B	JOHND	472164	AW10433	JOHND	450065	AW194434	B-L-H	415013
AT21693	JOHND	411500	ATY21425A	JOHND	352541	AW1127398	MAZDA	710708	AW194434	B-L-H	415995
AT21780	JOHND	471652	ATY21484A	JOHND	472560N	AW14092	AU-WS	417316	AW194434	CLARK	415836
AT22639	JOHND	471224	ATY21484A	JOHND	50151S	AW14092	AU-WS	455004	AW194434	CLARK	415995
AT22964	JOHND	714750	ATY21524A	JOHND	352541	AW194014	AU-WS	415995	AW194435	B-L-H	473237
AT22965	JOHND	415138	ATY22340A	JOHND	470954	AW194014	AU-WS	455013	AW194435	CLARK	473237
AT25329	JOHND	43290S	ATY22413A	JOHND	470163	AW194066	B-L-H	473450	AW194436	B-L-H	470954
AT25331	JOHND	416664	ATY22413A	JOHND	471766	AW194198	B-L-H	470954	AW194436	CLARK	470954
AT25585	JOHND	472446	ATY22428B	JOHND	470169	AW194198	B-L-H	480954	AW194439	B-L-H	472015
AT344T	JOHND	410059	ATY22428B	JOHND	473214	AW194198	CLARK	470954	AW194439	CLARK	472015
AT344T	JOHND	470380	ATY3502	JOHND	450154	AW194198	CLARK	480954	AW194440	B-L-H	415281N
AT34656	JOHND	415836	ATY3502	JOHND	473234	AW194204	B-L-H	416404	AW194440	CLARK	417349
AT34656	JOHND	415995	ATY3534	JOHND	470548	AW194204	CLARK	416404	AW194441	B-L-H	415304
AT353	MINNM	5872S	ATY3534	JOHND	470625	AW194218	B-L-H	450389	AW194441	B-L-H	476470
AT36255	JOHND	412920	ATY3535A	JOHND	472924	AW194218	B-L-H	472492	AW194441	CLARK	476470
AT36612	JOHND	472397	ATY3557A	JOHND	471192	AW194224	B-L-H	471267	AW194442	B-L-H	416664
AT38188	JOHND	473313	ATY3558A	JOHND	470120	AW194234	B-L-H	415281N	AW194442	CLARK	416664
AT39319	JOHND	455056	ATY3558A	JOHND	471224	AW194250	B-L-H	413247	AW194443	B-L-H	417172
AT39525	JOHND	410825	ATY3737A	JOHND	471570	AW194256	B-L-H	415991	AW194443	CLARK	417172
AT40603	JOHND	471984	ATY3915	JOHND	473445	AW194256	B-L-H	455146	AW2027398	MAZDA	710700
AT40731	JOHND	415066	ATY3917	JOHND	410496	AW194294	B-L-H	415035	AW2732E0	NOK	710191

INTERCHANGE SECTION

COMPETITIVE INTERCHANGES



Mfr No.	Mfr. National	Mfr No.	Mfr. National	Mfr No.	Mfr. National	Mfr No.	Mfr. National
AW2732E	NOK 710191	AXS126	COC 471554	B1175	FORD 450096	B13310	WHITE 417278
AW2864E0	NOK 225040	AXS188	COC 471750	B12536X	WHITE 411253	B13332	WHITE 416288
AW2864E	NOK 225040	AXS268	COC 415458	B12536X	WHITE 450099	B137	O-M 482309
AW337787	CHRYSLER 710182	AXS268	COC 455003	B12571	CASE 455019	B137A	JNISON 471648
AW337787	MITSU 710182	AXS269	COC 415458	B12598X	WHITE 415960	B13819	CASE 5458
AW337788	CHRYSLER 710183	AXS269	COC 455003	B12598X	WHITE 455009	B13876	JOHND 204029
AW337788	MITSU 710183	AXS270	COC 472492	B126	OLIVE 450115	B13876	JOHND 204507
AX162625	AXILO 614743	AXS33	COC 470163	B126	OLIVE 473467	B13876B	JOHND 204029
AX181500	AXILO 614837	AXS33	COC 471766	B12912	WHITE 415960	B13876B	JOHND 204507
AX1805D472	MERIX 455434	AXS34	COC 471870	B12912	WHITE 455009	B1424	ALLCH 416888
AX1805E473	MERIX 415035	AXS34	COC 471883	B1311	HU-WR 473457	B1424	ALLCH 455200
AX1805W465	MERIX 415009	AZ1026A	EATON 470027	B13247B	JOHND 200371	B1443	OLIVE 415449
AX1805W465	MERIX 415960	AZ1026A	EATON 471554	B132703M	GMC 473225	B1443	OLIVE 455147
AX10474	ALLCH 471391	AZ1787F0	NOK 710068	B132703T	CASE 415064	B1451	CR-CF 472439
AX10834	ALLCH 416664	AZ1787F	NOK 710068	B132704A	B-L-H 473458	B1452	CR-CF 471137
AX13068	ALLCH 473441	AZ3320H	JOHND 471765	B132704AA	B-L-H 417485	B1458	ALLCH 471765
AX1805D472	ROCKW 455434	AZ6886E	NOK 5131	B132704AB	B-L-H 416921	B1459	ALLCH 473426
AX1805E473	ROCKW 415035	AZ6886E0	NOK 5131	B132704AB	B-L-H 455011	B1464	ALLCH 471466
AX1805W465	ROCKW 415009	AZ7283E	NOK 2300	B132704AC	B-L-H 416654	B1479	ALLCH 471652
AX1805W465	ROCKW 415960	AZ7283E0	NOK 2300	B132704AC	B-L-H 455012	B149A	BR-WN 450082
AX18583	ALLCH 415281N	AZ7595E	NOK 200371	B132704AD	B-L-H 415995	B149A	BR-WN 473238
AX241001	ALLCH J1118	AZ7595E0	NOK 200371	B132704AD	B-L-H 455013	B150683K	CONTI 471413
AX25957	ALLCH 417316	AZ8045E0	NOK 2016	B132704AE	B-L-H 455019	B1517	HU-WR 415458
AX27019	ALLCH 471224	AZ8045E	NOK 2016	B132704AF	B-L-H 455020	B1517	HU-WR 455003
AX2712601	ALLCH 471442	AZ8415E	NOK 5131	B132704AG	B-L-H 415021	B1520	HU-WR 450117
AX317830	ACDEL J1105	AZ8415E0	NOK 5131	B132704AH	B-L-H 455022	B1520	HU-WR 472572
AX317830	GMC J1105	AZ8443E	NOK 2300	B132704AK	B-L-H 415023	B152012EX	OLIVE 470059
AX411	IH 5836	AZ8772E0	NOK 710820	B132704AL	B-L-H 455024	B152012EX	OLIVE 470380
AX510	IH 6358	AZ8772F0	NOK 710820	B132704AM	B-L-H 415025	B1524	ALLCH 451583
AX57252	ALLCH 415304	AZ8772E	NOK 710820	B132704B	B-L-H 450084	B15300B	JOHND 200392
AX57252	ALLCH 476470	AZ8772F	NOK 710820	B132704D	B-L-H 450094	B16154P	CASE 415254
AX57280	ALLCH 472658	B0010	GRAM 471532	B132704D	B-L-H 473462	B16159	CASE 471413
AX57280	ALLCH 473197	B1865	KEWNE 450984	B132704E	B-L-H 450083	B16407	CASE 471787
AX62651	ALLCH 416292	BDO301	WAUKE 470088	B132704E	B-L-H 472924	B166564	HEIL 370036A
AX64701	ALLCH 415937	BL317A	BR-WN 473213	B132704E	CLARK 472924	B17547	WHITE 410496
AX66089	JOHND 470027	B00126154	MAZDA 710311	B132704F	B-L-H 450085	B17553	WHITE 415196
AX66089	JOHND 471554	B00126154A	MAZDA 710311	B132704F	B-L-H 470530	B17579	WHITE 416167
AX72933	ALLCH 415213N	B00126154B	MAZDA 710311	B132704G	B-L-H 410102	B17579	WHITE 455091
AX74574	JOHND 470120	B00127238	MAZDA 710323	B132704H	B-L-H 416738	B17767	WHITE 415645
AX74574	JOHND 471224	B00133065	MAZDA 4990	B132704H	B-L-H 450096	B17767	WHITE 455104
AX76253	ALLCH 415832	B00133065A	MAZDA 4990	B132704K	B-L-H 413469	B17909	US-EL 470712
AX76560	ALLCH 415627	B00133067	MAZDA 710323	B132704L	B-L-H 412943	B18319	US-EL 412943
AX76728	ALLCH 416921	B01126154B	MAZDA 710311	B132704M	B-L-H 411253	B18338A	US-EL 415988
AX81489	ALLCH 473016	B05761	PAARS 370031A	B132704M	B-L-H 450099	B18378	WHITE 415995
AX81708	ALLCH 471424	B09233067	MAZDA 710323	B132704N	B-L-H 410694	B18378	WHITE 455013
AX81725	ALLCH 417349	B1003	HUGKE 416339	B132704P	B-L-H 412119	B18403	WHITE 412119
AX82405	ALLCH 471763	B1003	HUGKE 455031	B132704P	B-L-H 450101	B18403	WHITE 450101
AX91827	ALLCH 417278	B103254	BENDI 450316	B132704Q	B-L-H 417073	B1AZ7052B	FORD 410059
AX91998	ALLCH 416664	B103254	BENDI 472636	B132704R	B-L-H 415001	B1AZ7052B	FORD 470380
AX9209	GMC 6358	B1043	HU-WR 471820	B132704R	B-L-H 455001	B203	ITM 330385
AX92276	ALLCH 450084	B1065	ACF 450094	B132704S	B-L-H 415988	B20374	WHITE 7208S
AXA04841	FRUEH 357PKG	B1065	ACF 473462	B132704T	B-L-H 415458	B20376	WHITE 5965
AXA0043	FRUEH 376590A	B1094	OLIVE 471192	B132704T	B-L-H 455003	B20377	WHITE 455134
AXA00431	FRUEH 376590A	B10P88H	IH 416654	B132704U	B-L-H 455008	B20B	FUNK 413247
AXA3271	GMC 471652	B10P88H	IH 455012	B132704X	B-L-H 415960	B20B	FUNK 450350
AXA7317	BENDI 450291	B1110A	OLIVE 415991	B132704X	B-L-H 455009	B21033067	MAZDA 494123
AXA7317	BENDI 471141	B1110A	OLIVE 455146	B13281	CASE 204013	B21033065	MAZDA 225220
AXS115	COC 410308	B112306	OLIVE 470059	B13281P	CASE 204013	B21461	WGEAR 472560N
AXS115	COC 450308	B112306	OLIVE 470380	B13307	WHITE 417537	B21461	WGEAR 50151S
AXS126	COC 470027	B1175	FORD 416738	B13307X	WHITE 417537	B21479	WHITE 412920

INTERCHANGE SECTION

COMPETITIVE INTERCHANGES

Mfr No.	Mfr.	National	Mfr No.	Mfr.	National	Mfr No.	Mfr.	National	Mfr No.	Mfr.	National
B21479	WHITE	450132	B29133	TRANS	224520	B29574	TRANS	710689	B29915	TRANS	340847
B21626154	MAZDA	1973	B29135	TRANS	494122	B29579	TRANS	718610	B29915	TRANS	8792S
B23003	BOSTN	340771	B29137	TRANS	6712NA	B29591	TRANS	224464	B29927	TRANS	710535
B23377	WHITE	455022	B29147	TRANS	223543	B29592	TRANS	2027	B29936	TRANS	710196
B23525	WHITE	415009N	B29148	TRANS	340849	B29600	TRANS	710397	B29952	TRANS	3459
B23525	WHITE	475009N	B29150	TRANS	2007N	B29601	TRANS	710838	B29954	TRANS	710315
B23915	WHITE	410101N	B29164	TRANS	710702	B29602	TRANS	223805	B29990	TRANS	710747
B2424	TMTR	40140S	B29165	TRANS	710704	B29603	TRANS	225545	B29996	TRANS	710115
B24269	WHITE	411253	B29172	TRANS	223830	B29604	TRANS	710868	B2TZ1175A	FORD	415960
B256	OLIVE	450076	B29176	TRANS	710544	B29606	TRANS	710265	B307	ALLCH	472439
B256	OLIVE	470334	B29193	TRANS	224025	B29607	TRANS	710862	B30710602	MAZDA	710355
B256A	OLIVE	470219	B29213	TRANS	2658V	B29608	TRANS	225010	B309	ALLCH	471442
B256A	OLIVE	471649	B29222	TRANS	710721	B29609	TRANS	3404	B313	HYST	473449
B275B	OLIVE	6863S	B29250	TRANS	710336	B29612	TRANS	710537	B31311	JOHND	200392
B29000	TRANS	7929S	B29251	TRANS	710315	B29625	TRANS	9613S	B31312	JOHND	200371
B29001	TRANS	8160S	B29252	TRANS	350609	B29629	TRANS	710539	B32038	WHITE	411253
B29002	TRANS	710598	B29257	TRANS	710608	B29631	TRANS	221207	B32038	WHITE	450099
B29003	TRANS	710442	B29258	TRANS	224250	B29633	TRANS	710282	B32039	WHITE	455280
B29011	TRANS	710112	B29259	TRANS	4950	B29634	TRANS	710147	B32040	WHITE	415960
B29013	TRANS	2025	B29263	TRANS	710732	B29635	TRANS	710173	B32040	WHITE	455009
B29019	TRANS	8609	B29264	TRANS	223553	B29641	TRANS	3543	B32041	WHITE	416288
B29020	TRANS	6988H	B29268	TRANS	710109	B29642	TRANS	710138	B32042	WHITE	417082
B29023	TRANS	480479H	B29281	TRANS	710623	B29643	TRANS	224205	B32043	WHITE	417485
B29026	TRANS	710329	B29282	TRANS	710630	B29715	TRANS	224663	B32044	WHITE	410496
B29027	TRANS	2655	B29286	TRANS	223801	B29723	TRANS	710133	B32045	WHITE	415995
B29029	TRANS	415988	B29304	TRANS	224045	B29724	TRANS	710132	B32045	WHITE	455013
B29030	TRANS	4539V	B29306	TRANS	220860	B29732	TRANS	224450	B32046	WHITE	412119
B29031	TRANS	9449	B29307	TRANS	2658V	B29733	TRANS	710118	B32046	WHITE	450101
B29032	TRANS	4189H	B29309	TRANS	350609	B29733	TRANS	710632	B32073	WHITE	412119
B29036	TRANS	4738N	B29310	TRANS	223540	B29734	TRANS	710124	B32073	WHITE	450101
B29037	TRANS	4890	B29312	TRANS	224663	B29734	TRANS	710633	B32076	WHITE	412119
B29038	TRANS	7692S	B29318	TRANS	223801	B29745	TRANS	710259	B32076	WHITE	450101
B29039	TRANS	4889	B29325	TRANS	710446	B29747	TRANS	223014	B3250	WHITE	415960
B29040	TRANS	4748N	B29331	TRANS	710136	B29748	TRANS	710199	B3250	WHITE	455009
B29041	TRANS	7038SA	B29385	TRANS	712551	B29758	TRANS	4577	B3250617	IH	472560N
B29044	TRANS	2465	B29386	TRANS	223535	B29760	TRANS	714679	B3250617	IH	50151S
B29045	TRANS	9613S	B29410	TRANS	225010	B29762	TRANS	224840	B3271	WAUKE	470027
B29046	TRANS	4072N	B29413	TRANS	224066	B29765	TRANS	224820	B3271	WAUKE	471554
B29047	TRANS	3543	B29414	TRANS	239146	B29772	TRANS	224810	B3281	WAUKE	470045
B29050	TRANS	2025	B29432	TRANS	710643	B29772	TRANS	224820	B3281	WAUKE	476838
B29051	TRANS	710324	B29433	TRANS	224010	B29788	TRANS	225110	B339R	JOHND	411253
B29052	TRANS	6712NA	B29435	TRANS	710629	B29789	TRANS	713771	B339R	JOHND	450099
B29055	TRANS	710096	B29436	TRANS	1146	B29793	TRANS	3459	B35066	BOSS	370001A
B29056	TRANS	331228H	B29437	TRANS	1147	B29805	TRANS	225005	B3693M	AT IM	352541
B29057	TRANS	331227H	B29438	TRANS	1036	B29826	TRANS	710110	B37000	TRANS	710776
B29062	TRANS	223010	B29507	TRANS	222240	B29839	TRANS	4701N	B37010	TRANS	100796
B29068	TRANS	342517	B29510	TRANS	222745	B29844	TRANS	331107N	B37011	TRANS	710627
B29071	TRANS	3459	B29511	TRANS	222745	B29851	TRANS	2506	B37012	TRANS	3404
B29088	TRANS	100086	B29512	TRANS	223050	B29875	TRANS	710122	B37014	TRANS	710867
B29093	TRANS	1981	B29513	TRANS	223051	B29876	TRANS	710123	B37021	TRANS	710403
B29097	TRANS	710319	B29524	TRANS	100086	B29877	TRANS	712551	B37022	TRANS	710703
B29110	TRANS	710876	B29527	TRANS	714598	B29878	TRANS	223540	B37024	TRANS	100165
B29111	TRANS	710752	B29528	TRANS	4635V	B29879	TRANS	710110	B37025	TRANS	3622
B29114	TRANS	224663	B29546	TRANS	1012N	B29883	TRANS	220918	B37037	TRANS	4764
B29117	TRANS	240385	B29547	TRANS	224979	B29892	TRANS	221207	B37037	TRANS	4765
B29121	TRANS	710810	B29564	TRANS	710485	B29893	TRANS	224255	B37038	TRANS	5693
B29122	TRANS	710445	B29566	TRANS	4615V	B29894	TRANS	710517	B37040	TRANS	4613N
B29128	TRANS	710319	B29568	TRANS	714616	B29899	TRANS	710416	B37041	TRANS	4614N
B29129	TRANS	239146	B29569	TRANS	320583	B29912	TRANS	713771	B37042	TRANS	7692S
B29132	TRANS	1965	B29573	TRANS	710247	B29913	TRANS	710616	B37043	TRANS	710739

INTERCHANGE SECTION

COMPETITIVE INTERCHANGES



Mfr No.	Mfr. National	Mfr No.	Mfr. National	Mfr No.	Mfr. National	Mfr No.	Mfr. National
B37044	TRANS 710724	B37196	TRANS 710852	B529116	B-L-H 415449	B77413	BENDI 455146
B37047	TRANS 710484	B37199	TRANS 710947	B529116	B-L-H 455147	B7785	WHITE 416339
B37048	TRANS 710487	B37200	TRANS 470774V	B538	HU-WR 470086	B7785	WHITE 455031
B37049	TRANS 710486	B37212	TRANS 710821	B5502	WAUKE 471137	B7822	WAUKE 471750
B37050	TRANS 710780	B37229	TRANS 225220	B572	HU-WR 470050	B79100	NOK 710506
B37051	TRANS 710671	B37243	TRANS 710939	B58260	BENDI 410694	B79101	NOK 710507
B37053	TRANS 710058	B37249	TRANS 710914	B58693	KELSE 441853	B79102	NOK 710508
B37056	TRANS 710582	B37251	TRANS 710912	B5A1190A	FORD 6815	B79103	NOK 710469
B37057	TRANS 710533	B37274	TRANS 710933	B5A4676A	FORD 6808N	B79104	NOK 3638
B37058	TRANS 710830	B37305	TRANS 710780	B5A7657A	FORD 7300S	B79105	NOK 321417N
B37061	TRANS 710540	B37306	TRANS 224660	B5A77288A	FORD 240816	B79106	NOK 321417N
B37065	TRANS 3083	B37318	TRANS 224663	B5A77837A	BORGW 6988H	B79126	NOK 710476
B37066	TRANS 6712NA	B37335	TRANS 710873	B5A77837A	FORD 6988H	B792	HU-WR 411253
B37069	TRANS 710636	B3830	ALLCH 416888	B5AZ1190A	FORD 6815	B792	HU-WR 450099
B37072	TRANS 714679	B3830	ALLCH 455200	B5AZ7052A	FORD 473234	B79211	BENDI 471688
B37073	TRANS 100796	B3857	WAUKE 450085	B5AZ7657A	FORD 7300S	B79699	BENDI 470403
B37074	TRANS 4674N	B3857	WAUKE 470530	B5AZ7A248A	FORD 6988H	B79699	BENDI 470774
B37075	TRANS 4918	B39264	TRANS 3622	B5D4676A	FORD 6808N	B7A1177A	FORD 473228
B37079	TRANS 710590	B39265	TRANS 481191V	B5QH1190A	FORD 6638S	B7A1177A	FORD 51098
B37080	TRANS 710700	B396	F-R-H 415645	B5T7274A	FORD 6847S	B7A1177B	FORD 9568
B37081	TRANS 710801	B396	F-R-H 455104	B5T7274B	FORD 350567	B7A1177B1	FORD 9568
B37082	TRANS 710699	B397	F-R-H 415036	B5T7274B	FORD 471267	B7A4676A	FORD 6930
B37083	TRANS 710737	B399R	JOHND 411253	B5TZ4676A	FORD 6808N	B7A7047A	FORD 471652
B37084	TRANS 710738	B399R	JOHND 450099	B60305	BENDI 471442	B7A7047A	FORD 482208
B37089	TRANS 710631	B3AZ3B592A	FORD 6835S	B6107	GEM 417267	B7AZ7A283A	FORD 471652
B37090	TRANS 710634	B3C710602	MAZDA 710355	B63010602	MAZDA 223012	B7AZ7A283A	FORD 482208
B37097	TRANS 710628	B3C710602A	MAZDA 710355	B63011312	MAZDA 228250	B7AZ7A283B	FORD 471652
B37098	TRANS 710715	B3TZ7A011A	FORD 410308	B65468	BENDI 411253	B7AZ7A283B	FORD 482208
B37099	TRANS 710716	B4142	WAUKE 471549	B65468	BENDI 450099	B7C1190A	FORD 44053
B37100	TRANS 1973	B41511P	MID-R 473016	B66809	BENDI 472705	B7T1190A	FORD 44052
B37101	TRANS 710843	B4245A1	FORD 450044	B67315	BENDI 411253	B7T3591A	FORD 470120
B37104	TRANS 710557	B4245A2	FORD 450044	B67315	BENDI 450099	B7T3591A	FORD 471224
B37107	TRANS 710546	B42623	BOSS 370065A	B67338	BENDI 470590	B7T7048A	FORD 415988
B37108	TRANS 710583	B453106	CONCA 415128	B683	MINNM 340771	B7TZ1190A	FORD 6954S
B37109	TRANS 710561	B4551	WAUKE 473215	B683	WHITE 340771	B7TZ7A011A	FORD 415988
B37110	TRANS 4741	B46304	BOSS 370025A	B693	HOUGH 450083	B7TZ7A248A	FORD 412119
B37115	TRANS 710893	B46305	BOSS 370025A	B693	HOUGH 472924	B7Y1190A	FORD 6954S
B37125	TRANS 710582	B4725	WAUKE 450593	B693	OLIVE 450083	B80012	CONCA 450083
B37128	TRANS 710774	B4729	ALLCH 415147	B693	OLIVE 472924	B80012	CONCA 472924
B37129	TRANS 710773	B4729	ALLCH 415449	B6938	WAUKE 471570	B800409011060FRUEH	450352
B37134	TRANS 710923	B47697	BOSS 370003A	B6981	WAUKE 450078	B800409011060FRUEH	472164
B37141	TRANS 710672	B490	ACF 40468	B6981	WAUKE 473444	B800409011061FRUEH	472164
B37142	TRANS 710673	B4939	ALLCH 450365	B6982	WAUKE 450066	B800409011062FRUEH	416339
B37152	TRANS 710484	B4939	ALLCH 470898	B6982	WAUKE 473367	B800409011062FRUEH	455031
B37155	TRANS 224052	B4J1175A	FORD 415857	B6A3591A	FORD 240356	B800409011065FRUEH	415150
B37156	TRANS 710929	B4Q1144A	FORD 5487	B6A4676A	FORD 5778	B82491	BENDI 411500
B37157	TRANS 710907	B4Q1174A	FORD 5487	B6J1175A	FORD 416297	B83064	BENDI 412473
B37158	TRANS 710908	B4Q1175B	FORD 455858	B6Q1174A	FORD 5487	B83064	BENDI 415894
B37159	TRANS 710909	B4Q7288A	FORD 351267	B6Q1175A	FORD 455858	B83542	BENDI 455018
B37169	TRANS 710934	B4Q7288A	FORD 471267	B6Q3591A	FORD 7537S	B83542	BENDI 476470
B37170	TRANS 710933	B4Q7918A	FORD 415449	B6T1181A	FORD 5487	B8423	WAUKE 473407
B37176	TRANS 223510	B4Q7918A	FORD 455147	B70436	CONCA 471801	B85770	WHELA 415449
B37177	TRANS 710705	B4T1181A	FORD 5487	B71094	CONCA 471750	B85770	WHELA 455147
B37178	TRANS 710706	B4T4676A	FORD 410737	B71454	CONCA 450352	B85771	WHELA 416888
B37180	TRANS 710712	B4TZ1001A	FORD 5487	B71454	CONCA 472164	B85771	WHELA 455200
B37181	TRANS 710709	B504	ALLCH 416888	B71459	CONCA 470548	B85772	WHELA 415138
B37183	TRANS 710889	B504	ALLCH 455200	B71459	CONCA 470625	B85773	WHELA 416865
B37185	TRANS 710778	B510	HU-WR 470059	B71460	CONCA 471570	B85773	WHELA 455070
B37186	TRANS 710779	B510	HU-WR 470380	B76414	BENDI 471730	B85774	WHELA 416107
B37189	TRANS 710801	B521	HU-WR 415116	B77413	BENDI 415991	B85774	WHELA 455073

INTERCHANGE SECTION

COMPETITIVE INTERCHANGES

Mfr No.	Mfr.	National	Mfr No.	Mfr.	National	Mfr No.	Mfr.	National	Mfr No.	Mfr.	National
B85775	WHELA	416666	B9AP7A248A	FORD	6988H	BB1175C	FORD	5751	BC3472E0	NOK	223550
B85776	WHELA	415294	B9AZ3591A	FORD	240151	BB1175C	KELSE	5751	BC3546E0	NOK	710634
B85776	WHELA	455294	B9AZ7A248A	FORD	6988H	BB1185E	NOK	471267V	BC3546E	NOK	710634
B85777	WHELA	416364	B9C1190A	FORD	442380	BB1185E0	NOK	471267V	BC3P7A248AE	FORD	710852
B85779	WHELA	417600	B9C4224A	FORD	40769S	BB16277	DIA	473228	BC3P7F337BA	FORD	710947
B85783	WHELA	415482	B9C7288B	FORD	6835S	BB1722	DIA	473215	BC3Q6700AB	FORD	711004
B85785	WHELA	416654	B9MZ3A718A	FORD	240151	BB1730	DIA	450593	BC3Q6701AC	FORD	711003
B85785	WHELA	455012	B9QH4813A	FORD	450519	BB1747	DIA	450291	BC3Z4676B	FORD	710577
B85786	WHELA	417262	B9QH4813A	FORD	471271	BB1747	DIA	471141	BC3Z6700A	FORD	711004
B85786	WHELA	455448	B9T4813A	FORD	100495	BB21723	DIA	450121	BC3Z6700B	FORD	711004
B85789	WHELA	415551	B9T4813A	FORD	415281N	BB21723	DIA	472409	BC3Z6701A	FORD	711003
B866504	BENDI	472354	B9T6700A	FORD	413246N	BB22257	DIA	417181	BC3Z6701B	FORD	711003
B866504	BENDI	50395S	B9T6700A	FORD	483246N	BB22274	DIA	415991	BC3Z7A248A	FORD	710852
B870	HU-WR	470169	B9TE6700A	FORD	2692	BB22274	DIA	455146	BC3Z7F337B	FORD	710947
B870	HU-WR	473214	B9TE6700A1	FORD	2692	BB23710	DIA	471760	BC4319E0	NOK	710679
B88372	BENDI	473473	B9TT3254A	FORD	40769S	BB23769	DIA	471795	BC4319E	NOK	710679
B8851	WHITE	415142	B9TT4676A	FORD	410312N	BB26040	DIA	410496	BC4682E0	NOK	710185
B889864	BENDI	350909	B9TT4813A	FORD	470898	BB26249	DIA	418028	BC4682E	NOK	710185
B889864	BENDI	471224	B9TZ1190A	FORD	442380	BB26249	DIA	455137	BC5936E0	NOK	710522
B8A4676A	FORD	6930	B9TZ3254A	FORD	40769S	BB27207	DIA	473473	BC5936E	NOK	710522
B8A4676B	FORD	7044NA	B9TZ4676A	FORD	475368N	BB4433E0	NOK	710575	BCC178A0	NOK	710794
B8QH1175A	FORD	415351	BA0475E	NOK	480491	BB4433E	NOK	710575	BCC178A	NOK	710794
B8QH1175B	FORD	370004A	BA0475E0	NOK	480491	BB4686	FORD	472287	BD0380E	NOK	473473
B8QH1190A	FORD	416130	BA1011	HU-WR	470950	BB51HE	TW-DI	417354	BD0380E0	NOK	473473
B8QH4676A	FORD	476283N	BA1011	HU-WR	6241S	BB5232	DIA	475009N	BD0881E0	NOK	710052
B8QH4676B	FORD	415003	BA1012	HU-WR	470163	BB6063	DIA	415001	BD0881F0	NOK	710052
B8QH4676B	FORD	415458	BA1012	HU-WR	471766	BB6210	DIA	472164	BD0881E	NOK	710052
B8QH4813A	FORD	417484N	BA1415E	NOK	480581	BB6256	DIA	415147	BD0881F	NOK	710052
B8QH4813A	FORD	455322	BA1415E0	NOK	480581	BB6256	DIA	415449	BD1105E	NOK	8597S
B8QH6700A	FORD	413246N	BA1607E	NOK	415284	BB7830E	NOK	417158	BD1105E0	NOK	8597S
B8QH6700A	FORD	483246N	BA1607E0	NOK	415284	BB8463E	NOK	350435	BD1295E	NOK	7013S
B8QH7288A	FORD	240733	BA2990E0	NOK	710092	BB8463E0	NOK	350435	BD1295E0	NOK	7013S
B8QH7288B	FORD	471570	BA2990F0	NOK	710092	BBB1202A0	NOK	482126	BD1355F0	NOK	471845N
B8QH7912A	FORD	415004	BA2990E	NOK	710092	BBB1202A	NOK	482126	BD1355F	NOK	471845N
B8QH7912A	FORD	417316	BA2990F	NOK	710092	BC0595E	NOK	415027	BD1363E0	NOK	710405
B8QH7918A	FORD	415004	BA3115E0	NOK	226610	BC0595E	NOK	455027	BD1363E	NOK	710405
B8QH7918A	FORD	417316	BA3115E	NOK	226610	BC0595E0	NOK	415027	BD1380E	NOK	471652
B8QH7918B	FORD	415449	BA5911E0	NOK	710456	BC0595E0	NOK	455027	BD1380E0	NOK	471652
B8QH7918B	FORD	455147	BA5911E	NOK	710456	BC1122E0	NOK	223550	BD1593RO	NOK	4990
B8TZ4676A	FORD	475003N	BB0150E	NOK	471705	BC1122F0	NOK	223550	BD1666E	NOK	5695
B8TZ4676B	FORD	475003N	BB0150E0	NOK	471705	BC1122E	NOK	223550	BD1694E0	NOK	225220
B8TZ7052A	FORD	415004	BB0504E	NOK	416956	BC1122F	NOK	223550	BD1694E	NOK	225220
B8TZ7052A	FORD	417316	BB0504E0	NOK	416956	BC2077G0	NOK	710109	BD1694F	NOK	4990
B8TZ7052B	FORD	415449	BB0553X	NOK	455022	BC2077G	NOK	710109	BD1695E	NOK	4899
B8TZ7052B	FORD	455147	BB0553X0	NOK	455022	BC2078E	NOK	710110	BD1695E0	NOK	4899
B90145	CONCA	471750	BB0562X	NOK	456305	BC2078E0	NOK	710110	BD1868E	NOK	5695
B90146	CONCA	450115	BB0562X0	NOK	456305	BC2185F	NOK	1209	BD1868E0	NOK	5695
B90146	CONCA	473467	BB0682X	NOK	417518	BC3073E	NOK	225210	BD1962E0	NOK	710458
B90668EX	OLIVE	473228	BB0682X0	NOK	417518	BC3073E0	NOK	225210	BD1962E1	NOK	710458
B90668EX	OLIVE	51098	BB0897E	NOK	455480	BC3074E	NOK	225230	BD1962E	NOK	710458
B96405	BENDI	417485	BB0897E0	NOK	455480	BC3074E0	NOK	225230	BD2134E0	NOK	710083
B9733005	MWKEL	340469	BB0898E	NOK	417562	BC3149E0	NOK	221607	BD2134E	NOK	710083
B9733006	KELSE	46997S	BB0898E0	NOK	417562	BC3149E	NOK	221607	BD2135E0	NOK	710412
B9733008	KELSE	45187S	BB1021	HU-WR	455018	BC3165E0	NOK	224026	BD2135E	NOK	710412
B9848	WHITE	455280	BB1021	HU-WR	476470	BC3165E	NOK	224026	BD2332E	NOK	225650
B985721	BENDI	40140S	BB1022	HU-WR	415991	BC3447E0	NOK	710265	BD2332E0	NOK	225650
B985722	BENDI	41264S	BB1022	HU-WR	455146	BC3447F0	NOK	710265	BD2332G	NOK	710069
B98907	BENDI	473458	BB1033	HU-WR	450133	BC3447E	NOK	710265	BD2349E	NOK	1126
B9A77837A	BORGW	331107N	BB1036E	NOK	476470	BC3447F	NOK	710265	BD2349E0	NOK	1126
B9A77837A	FORD	331107N	BB1036E0	NOK	476470	BC3472E	NOK	223550	BD2357F0	NOK	224045

INTERCHANGE SECTION

COMPETITIVE INTERCHANGES



Mfr No.	Mfr. National	Mfr No.	Mfr. National	Mfr No.	Mfr. National	Mfr No.	Mfr. National
BD2357F	NOK 224045	BD3856E0	NOK 224820	BE1192G	NOK 224815	BE4092E0	NOK 710194
BD2564F0	NOK 710338	BD3856E0	NOK 224870	BE1391E	NOK 472705	BE4092E	NOK 710194
BD2564F	NOK 710338	BD3856E	NOK 224820	BE1391E0	NOK 472705	BE4098E0	NOK 710723
BD2580E0	NOK 710295	BD3856E	NOK 224870	BE1540E0	NOK 239201	BE4098E	NOK 710723
BD2580E	NOK 710295	BD3945E0	NOK 710108	BE1540E	NOK 239201	BE4100E0	NOK 710772
BD2707E0	NOK 710727	BD3945E	NOK 710108	BE1540F	NOK 4175	BE4100E	NOK 710772
BD2707G0	NOK 710727	BD4007E0	NOK 710292	BE1540F0	NOK 4175	BE4160E0	NOK 710132
BD2707E	NOK 710727	BD4007E	NOK 710292	BE1623E	NOK 2443	BE4160E	NOK 710132
BD2707G	NOK 710727	BD4020E0	NOK 710108	BE1772E0	NOK 222835	BE4225E	NOK 223540
BD2716E0	NOK 710142	BD4020E	NOK 710108	BE1772E	NOK 222835	BE4344F0	NOK 710208
BD2716E	NOK 710142	BD4221E0	NOK 710183	BE2015E0	NOK 224872	BE4344F	NOK 710208
BD2737	NOK 1213N	BD4221E	NOK 710183	BE2015E	NOK 224872	BE4361E0	NOK 710207
BD2737E	NOK 1213N	BD4248E	NOK 710251	BE2305H0	NOK 223552	BE4361E	NOK 710207
BD2766E	NOK 4899	BD4248E0	NOK 710251	BE2305H	NOK 223552	BE4506E0	NOK 710299
BD2992E0	NOK 710419	BD4263F0	NOK 710766	BE2327F0	NOK 710055	BE4506E	NOK 710299
BD2992F0	NOK 710419	BD4263F	NOK 710766	BE2327F	NOK 710055	BE4692E0	NOK 710198
BD2992E	NOK 710419	BD4313E	NOK 710182	BE2350E0	NOK 710118	BE4692E	NOK 710198
BD2992F	NOK 710419	BD4320E0	NOK 710250	BE2350E	NOK 710118	BE4898E0	NOK 710104
BD3035E0	NOK 710305	BD4320E	NOK 710250	BE2351E0	NOK 710124	BE4898E	NOK 710104
BD3035E	NOK 710305	BD4326E	NOK 4899	BE2351E	NOK 710124	BE5260E0	NOK 710463
BD3063E0	NOK 712011	BD4332E0	NOK 710221	BE2353E0	NOK 710122	BE5260E	NOK 710463
BD3063F0	NOK 712011	BD4332E	NOK 710221	BE2353E	NOK 710122	BE5384E0	NOK 710212
BD3063E	NOK 712011	BD4334E	NOK 710412	BE2582F0	NOK 710296	BE5384E	NOK 710212
BD3063F	NOK 712011	BD4374E0	NOK 710125	BE2582F	NOK 710296	BE8Z6700B	FORD 711002
BD3123E0	NOK 1935	BD4374E	NOK 710125	BE2590E0	NOK 710123	BE8Z6K292C	FORD 711001
BD3123E	NOK 1935	BD4376E0	NOK 710127	BE2590E	NOK 710123	BEE005A0	NOK 224462
BD3126E0	NOK 1941	BD4376E	NOK 710127	BE2601E0	NOK 710703	BEE005A	NOK 224462
BD3126F0	NOK 1941	BD4434E0	NOK 710876	BE2601E	NOK 710703	BEE1298A0	NOK 710073
BD3126E	NOK 1941	BD4434E	NOK 710876	BE2605E0	NOK 710098	BEE1298A	NOK 710073
BD3126F	NOK 1941	BD4522E0	NOK 710437	BE2605E	NOK 710098	BEE385A0	NOK 1948
BD3127E0	NOK 1928	BD4522F0	NOK 710437	BE2624E0	NOK 710098	BEE385A	NOK 1948
BD3127E	NOK 1928	BD4522E	NOK 710437	BE2624E	NOK 710098	BF1060E	NOK 487945
BD3236E0	NOK 225410	BD4522F	NOK 710437	BE2727E	NOK 225875	BF1060E0	NOK 487945
BD3236F0	NOK 225410	BD4534E	NOK 710412	BE3009E0	NOK 710139	BF1102E0	NOK 494123
BD3236E	NOK 225410	BD4534E0	NOK 710412	BE3009E	NOK 710139	BF1102E	NOK 494123
BD3236F	NOK 225410	BD4618E0	NOK 4904	BE3021E0	NOK 710252	BF1161E	NOK 3677
BD3277E0	NOK 225673	BD4618E	NOK 4904	BE3021E	NOK 710252	BF1161E0	NOK 3677
BD3277G0	NOK 712938	BD4644E0	NOK 710439	BE3025G0	NOK 710121	BF1668E0	NOK 710213
BD3277H0	NOK 225673	BD4644E	NOK 710439	BE3025G	NOK 710121	BF1668E	NOK 710213
BD3277E	NOK 225673	BD4685E0	NOK 710434	BE3033E0	NOK 710073	BF1773E	NOK 3667
BD3277F	NOK 225673	BD4685E	NOK 710434	BE3033E	NOK 710073	BF2291E0	NOK 710266
BD3277F0	NOK 225673	BD5401E0	NOK 710459	BE3062G0	NOK 223842	BF2291E	NOK 710266
BD3277G	NOK 712938	BD5401E	NOK 710459	BE3062E	NOK 223840	BF2595E0	NOK 224235
BD3277H	NOK 225673	BD5668E0	NOK 710478	BE3062E0	NOK 223840	BF2595E	NOK 224235
BD3298E0	NOK 710151	BD5668E	NOK 710478	BE3062G	NOK 223842	BF2596E0	NOK 710323
BD3298E	NOK 710151	BD5878E0	NOK 710439	BE3146E0	NOK 224026	BF2986E	NOK 710161
BD3334E0	NOK 4899	BD5878E	NOK 710439	BE3146E	NOK 224026	BF2991E0	NOK 710266
BD3334E	NOK 4899	BDD035A0	NOK 710084	BE3310E0	NOK 710112	BF2991E	NOK 710266
BD3423E0	NOK 710093	BDD035B0	NOK 710084	BE3310E	NOK 710112	BF3705E0	NOK 710159
BD3423E	NOK 710093	BDD035A	NOK 710084	BE3383E0	NOK 224872	BF3705F0	NOK 710159
BD3467E0	NOK 710150	BDD035B	NOK 710084	BE3383E	NOK 224872	BF3705E	NOK 710159
BD3467E	NOK 710150	BDD1331A0	NOK 1993	BE3683E0	NOK 710143	BF3705F	NOK 710159
BD3534E0	NOK 4898	BDD1331A	NOK 1993	BE3683F0	NOK 710143	BF4717E0	NOK 710300
BD3534E	NOK 4898	BDD1339iA0	NOK 4898	BE3683E	NOK 710143	BF4717E	NOK 710300
BD3537E0	NOK 1993	BDD1339iA	NOK 4898	BE3683F	NOK 710143	BF5260E0	NOK 710464
BD3537E	NOK 1993	BDD667A0	NOK 474230	BE3938F0	NOK 223535	BF5260E	NOK 710464
BD3537F	VIC 225673	BDD667A	NOK 474230	BE3938F	NOK 223535	BG1233	HU-WR 5857
BD3586E0	NOK 710176	BE1192E0	NOK 224874	BE4016E	NOK 225535	BG1583F0	NOK 710097
BD3586E	NOK 710176	BE1192G0	NOK 224815	BE4091E0	NOK 710192	BG1583E	NOK 494117
BD3665	CASE 450456	BE1192E	NOK 224874	BE4091E	NOK 710192	BG1583F	NOK 710097

INTERCHANGE SECTION

COMPETITIVE INTERCHANGES

Mfr No.	Mfr.	National	Mfr No.	Mfr.	National	Mfr No.	Mfr.	National	Mfr No.	Mfr.	National
BG2034E	NOK	1936	BH1484E	NOK	223340	BH2259G	NOK	710332	BH3009G	NOK	710139
BG2034E0	NOK	1936	BH1484E0	NOK	223340	BH2264E0	NOK	710233	BH3012E0	NOK	471950
BG2038E0	NOK	710148	BH1485E0	NOK	228410	BH2264F0	NOK	710233	BH3012E	NOK	471950
BG2038E	NOK	710148	BH1485E	NOK	228410	BH2264E	NOK	710233	BH3022E0	NOK	710234
BG2039E0	NOK	710337	BH1485F	NOK	228410	BH2264F	NOK	710233	BH3022G	NOK	710234
BG2039E	NOK	710337	BH1485F0	NOK	228410	BH2304E0	NOK	710334	BH3022G0	NOK	710234
BG2400E0	NOK	710297	BH1485G	NOK	228410	BH2304F0	NOK	710334	BH3022E	NOK	710234
BG2400E	NOK	710297	BH1485G0	NOK	228410	BH2304E	NOK	710334	BH3037E0	NOK	710248
BG2664E	NOK	473677	BH1485I0	NOK	228410	BH2304F	NOK	710334	BH3037E	NOK	710248
BG2664E0	NOK	473677	BH1742E	NOK	227045	BH2331E0	NOK	710119	BH3040E0	NOK	710268
BG2972E	NOK	1953	BH1742E0	NOK	227045	BH2331E	NOK	710119	BH3040E	NOK	710268
BG3657E0	NOK	710254	BH1742F	NOK	227045	BH2348E	NOK	228700	BH3063E0	NOK	710776
BG3657E	NOK	710254	BH1882E0	NOK	1987	BH2348E0	NOK	228700	BH3063E	NOK	710776
BG3774E0	NOK	710193	BH1882E	NOK	1987	BH2354E0	NOK	224663	BH3146E0	NOK	224026
BG3774E	NOK	710193	BH1882F	NOK	223602	BH2354H0	NOK	224663	BH3146F0	NOK	712551
BG3988E0	NOK	710226	BH1937E0	NOK	710157	BH2354I0	NOK	224663	BH3146G0	NOK	712551
BG3988E	NOK	710226	BH1937F0	NOK	710511	BH2354E	NOK	224663	BH3146H0	NOK	224026
BG4091E0	NOK	710192	BH1937E	NOK	710157	BH2354H	NOK	224663	BH3146I0	NOK	712551
BG4091E	NOK	710192	BH1937F	NOK	710511	BH2354I	NOK	224663	BH3146E	NOK	224026
BG6035E0	NOK	710574	BH1941E0	NOK	710310	BH2370E0	NOK	710138	BH3146F	NOK	712551
BG6035F0	NOK	710574	BH1941G0	NOK	710310	BH2370E	NOK	710138	BH3146G	NOK	712551
BG6035E	NOK	710574	BH1941E	NOK	710310	BH2489E0	NOK	222558	BH3146H	NOK	224026
BG6035F	NOK	710574	BH1941E1	NOK	710310	BH2489E	NOK	222558	BH3146I	NOK	712551
BH4373F	NOK	710356	BH1941G	NOK	710310	BH2503E	NOK	2655	BH3152E0	NOK	228008
BH0220E0	NOK	710630	BH1952E0	NOK	1036	BH2503E0	NOK	2655	BH3152G0	NOK	228008
BH0220F0	NOK	710630	BH1952F0	NOK	1146	BH2506E	NOK	223220	BH3152H0	NOK	228008
BH0220E	NOK	710630	BH1952E	NOK	1036	BH2576E0	NOK	710187	BH3152E	NOK	228008
BH0220F	NOK	710630	BH1952F	NOK	1146	BH2576E	NOK	710187	BH3152G	NOK	228008
BH0253E0	NOK	224066	BH1999E	NOK	223340	BH2634E	NOK	223831	BH3208E0	NOK	710056
BH0253E	NOK	224066	BH1999E0	NOK	223340	BH2634E0	NOK	223831	BH3208F0	NOK	710056
BH0269E0	NOK	3051N	BH2006E0	NOK	320595	BH2661E	NOK	223843	BH3208G0	NOK	710056
BH0269H0	NOK	3051N	BH2006E	NOK	320595	BH2716E0	NOK	710142	BH3208E	NOK	710056
BH0269E	NOK	3051N	BH2006G	NOK	320595	BH2716F0	NOK	710142	BH3208F	NOK	710056
BH0269H	NOK	3051N	BH2006G0	NOK	320595	BH2716E	NOK	710142	BH3208G	NOK	710056
BH0317E0	NOK	710137	BH2051E0	NOK	710689	BH2716F	NOK	710142	BH3288F0	NOK	224660
BH0317F0	NOK	710137	BH2051J0	NOK	710689	BH2737F0	NOK	710444	BH3288F	NOK	224660
BH0317E	NOK	710137	BH2051E	NOK	710689	BH2737E	NOK	1213N	BH3289E0	NOK	1019
BH0317F	NOK	710137	BH2051J	NOK	710689	BH2737F	NOK	710444	BH3289F0	NOK	1019
BH0354E0	NOK	225545	BH2077E0	NOK	710109	BH2755E	NOK	228480	BH3289G0	NOK	1019
BH0354E	NOK	225545	BH2077E	NOK	710109	BH2820E0	NOK	710446	BH3289E	NOK	1019
BH0605E	NOK	229005	BH2078E0	NOK	710110	BH2820E	NOK	710446	BH3289F	NOK	1019
BH0605E0	NOK	229005	BH2078F0	NOK	710110	BH2844E0	NOK	223253	BH3289G	NOK	1019
BH0605F	NOK	229005	BH2078E	NOK	710110	BH2844G0	NOK	223253	BH3290E0	NOK	1940
BH0605F0	NOK	229005	BH2078F	NOK	710110	BH2844E	NOK	223253	BH3290E	NOK	1940
BH0605G	NOK	229005	BH2078G	NOK	710110	BH2844G	NOK	223253	BH3310E0	NOK	710112
BH0605G0	NOK	229005	BH2078G0	NOK	710110	BH2845E0	NOK	228250	BH3310E	NOK	710112
BH0605I	NOK	229005	BH2080G0	NOK	710512	BH2845E	NOK	228250	BH3340E	NOK	710199
BH0605J	NOK	229005	BH2080G	NOK	710512	BH2845F	NOK	228250	BH3340E0	NOK	710199
BH1030E	NOK	2043	BH2118E0	NOK	222830	BH2845F0	NOK	228250	BH3397E0	NOK	710423
BH1030E0	NOK	2043	BH2118E	NOK	222830	BH2851E0	NOK	710247	BH3397E	NOK	710423
BH1290E	NOK	2081	BH2189E0	NOK	223801	BH2851E	NOK	710247	BH3424E0	NOK	710416
BH1290E1	NOK	2081	BH2189E	NOK	223801	BH2992E0	NOK	710419	BH3424F0	NOK	710416
BH1430E0	NOK	710415	BH2254E	NOK	239146	BH2992E	NOK	710419	BH3424G0	NOK	710416
BH1430E	NOK	710415	BH2254E0	NOK	239146	BH3004E0	NOK	224215	BH3424E	NOK	710416
BH1431E	NOK	223602	BH2259E0	NOK	710332	BH3004E	NOK	224215	BH3424F	NOK	710416
BH1431E0	NOK	223602	BH2259F0	NOK	710332	BH3007F0	NOK	1120	BH3424G	NOK	710416
BH1438E0	NOK	1021V	BH2259G0	NOK	710332	BH3007F	NOK	1120	BH3475E0	NOK	710818
BH1438E	NOK	1021V	BH2259G1	NOK	710332	BH3009F0	NOK	710139	BH3475E	NOK	710818
BH1443E0	NOK	224979	BH2259E	NOK	710332	BH3009G0	NOK	710139	BH3488E0	NOK	224063
BH1443E	NOK	224979	BH2259F	NOK	710332	BH3009F	NOK	710139	BH3488E	NOK	224063

INTERCHANGE SECTION

COMPETITIVE INTERCHANGES



Mfr No.	Mfr. National	Mfr No.	Mfr. National	Mfr No.	Mfr. National	Mfr No.	Mfr. National
BH3526E0	NOK 710511	BH4127E0	NOK 710189	BH4575E	NOK 710582	BH5861F0	NOK 228410
BH3526E	NOK 710511	BH4127F0	NOK 710189	BH4575G	NOK 710582	BH5861F	NOK 228410
BH3615E0	NOK 223012	BH4127E	NOK 710189	BH4576E	NOK 1180	BH5885F0	NOK 710819
BH3615E	NOK 223012	BH4127F	NOK 710189	BH4592E0	NOK 710355	BH5885F	NOK 710819
BH3670E0	NOK 710114	BH4160E0	NOK 710132	BH4592E	NOK 710355	BH5900E0	NOK 223010
BH3670F0	NOK 710114	BH4160E	NOK 710132	BH4638E0	NOK 710189	BH5900E	NOK 223010
BH3670G0	NOK 710114	BH4214E0	NOK 710644	BH4638E	NOK 710189	BH5924F0	NOK 710553
BH3670E	NOK 710114	BH4214F0	NOK 710644	BH4649E0	NOK 710767	BH5924I0	NOK 710553
BH3670F	NOK 710114	BH4214E	NOK 710644	BH4649F0	NOK 710767	BH5924F	NOK 710553
BH3670G	NOK 710114	BH4214F	NOK 710644	BH4649E	NOK 710767	BH5924I	NOK 710553
BH3680E0	NOK 710115	BH4215E0	NOK 710188	BH4649F	NOK 710767	BH6044E0	NOK 710716
BH3680E	NOK 710115	BH4215E	NOK 710188	BH4660E0	NOK 710784	BH6044E	NOK 710716
BH3687E0	NOK 224650	BH4270F0	NOK 710517	BH4660E	NOK 710784	BH6045E0	NOK 710715
BH3687G0	NOK 224650	BH4270F	NOK 710517	BH4687A0	NOK 223018	BH6045F0	NOK 710715
BH3687E	NOK 224650	BH4273E0	NOK 710722	BH4718E0	NOK 710332	BH6045E	NOK 710715
BH3687G	NOK 224650	BH4273E	NOK 710722	BH4718F0	NOK 710332	BH6045F	NOK 710715
BH3757E	NOK 223420	BH4282E0	NOK 710343	BH4718E	NOK 710332	BH6066E0	NOK 710894
BH3845E0	NOK 710264	BH4282E	NOK 710343	BH4718F	NOK 710332	BH6066H0	NOK 710894
BH3845F0	NOK 710264	BH4293E0	NOK 710173	BH4746E	NOK 229004	BH6066E	NOK 710894
BH3845E	NOK 710264	BH4293F0	NOK 710173	BH4746E	NOK 229005	BH6066H	NOK 710894
BH3845F	NOK 710264	BH4293E	NOK 710173	BH4790G0	NOK 710526	BH6093E0	NOK 710610
BH3854E0	NOK 710235	BH4293F	NOK 710173	BH4790G	NOK 710526	BH6093F0	NOK 710610
BH3854F0	NOK 710235	BH4294F	NOK 224025	BH5149F0	NOK 710363	BH6093E	NOK 710610
BH3854E	NOK 710235	BH4354F0	NOK 710576	BH5149G0	NOK 710363	BH6093F	NOK 710610
BH3854F	NOK 710235	BH4354G0	NOK 710576	BH5149F	NOK 710363	BH6196E0	NOK 710680
BH3882E0	NOK 710236	BH4354F	NOK 710576	BH5149G	NOK 710363	BH6196E	NOK 710680
BH3882F0	NOK 710236	BH4354G	NOK 710576	BH5214E0	NOK 710616	BH6232E0	NOK 710775
BH3882G0	NOK 710236	BH4366E0	NOK 710144	BH5214E0	NOK 710762	BH6232F0	NOK 710775
BH3882E	NOK 710236	BH4366F	NOK 710667	BH5214E	NOK 710616	BH6232E	NOK 710775
BH3882F	NOK 710236	BH4366F0	NOK 710667	BH5214E	NOK 710762	BH6232F	NOK 710775
BH3882G	NOK 710236	BH4366E	NOK 710144	BH5276E0	NOK 710747	BH6249E0	NOK 710676
BH3937E0	NOK 710442	BH4371F0	NOK 710730	BH5276E	NOK 710747	BH6249E	NOK 710676
BH3937E	NOK 710442	BH4371E	NOK 3771	BH5278E0	NOK 710520	BH6254E0	NOK 228005
BH3966E	NOK 226510	BH4371F	NOK 710730	BH5278F0	NOK 710520	BH6254E	NOK 228005
BH3966E0	NOK 226510	BH4373F0	NOK 710356	BH5278E	NOK 710520	BH6355E0	NOK 710805
BH3966HV	NOK 226510	BH4373G0	NOK 710356	BH5278F	NOK 710520	BH6355E	NOK 710805
BH4031F0	NOK 710615	BH4373G	NOK 710356	BH5279E0	NOK 710521	BH6413E0	NOK 710731
BH4031E	NOK 320583	BH4392F0	NOK 229210	BH5279F0	NOK 710521	BH6413F0	NOK 710731
BH4031E	NOK 473677	BH4392G0	NOK 229210	BH5279G0	NOK 710521	BH6413E	NOK 710731
BH4031E0	NOK 320583	BH4392F	NOK 229210	BH5279E	NOK 710521	BH6413F	NOK 710731
BH4031E0	NOK 473677	BH4392G	NOK 229210	BH5279F	NOK 710521	BH6445F0	NOK 710578
BH4031F	NOK 710615	BH4476E	NOK 710060	BH5279G	NOK 710521	BH6445F	NOK 710578
BH4036F0	NOK 710352	BH4503F0	NOK 710298	BH5320E0	NOK 710596	BH6492E0	NOK 710733
BH4036G0	NOK 710352	BH4503F	NOK 710298	BH5320F0	NOK 710596	BH6492F0	NOK 710733
BH4036F	NOK 710352	BH4505E0	NOK 710868	BH5320E	NOK 710596	BH6492G0	NOK 710733
BH4036G	NOK 710352	BH4505E	NOK 710868	BH5320F	NOK 710596	BH6492E	NOK 710733
BH4053E0	NOK 710525	BH4513F0	NOK 224663	BH5321E0	NOK 710595	BH6492F	NOK 710733
BH4053F0	NOK 710525	BH4513E	NOK 224663	BH5321F0	NOK 710595	BH6492G	NOK 710733
BH4053E	NOK 710525	BH4513E0	NOK 224663	BH5321E	NOK 710595	BH6688E0	NOK 710933
BH4053F	NOK 710525	BH4513F	NOK 224663	BH5321F	NOK 710595	BH6688E	NOK 710933
BH4089E0	NOK 710834	BH4519E	NOK 229005	BH5451F0	NOK 710629	BH6832E0	NOK 710697
BH4089F0	NOK 710834	BH4519E0	NOK 229005	BH5451F	NOK 710629	BH6832F0	NOK 710697
BH4089E	NOK 710834	BH4545E	NOK 228010	BH5644G0	NOK 710767	BH6832G0	NOK 710697
BH4089F	NOK 710834	BH4545E0	NOK 228010	BH5644G	NOK 710767	BH6832E	NOK 710697
BH4093E0	NOK 710460	BH4558E0	NOK 225885	BH5768E0	NOK 710465	BH6832F	NOK 710697
BH4093F0	NOK 710460	BH4558E	NOK 225885	BH5768E	NOK 710465	BH6832G	NOK 710697
BH4093E	NOK 710460	BH4569E0	NOK 710838	BH5855F0	NOK 710554	BH6841E0	NOK 710796
BH4093F	NOK 710460	BH4569E	NOK 710838	BH5855G0	NOK 710554	BH6841E	NOK 710796
BH4100E0	NOK 710772	BH4575E0	NOK 710582	BH5855F	NOK 710554	BH6847E0	NOK 710795
BH4100E	NOK 710772	BH4575G0	NOK 710582	BH5855G	NOK 710554	BH6847E	NOK 710795

INTERCHANGE SECTION

COMPETITIVE INTERCHANGES

Mfr No.	Mfr.	National	Mfr No.	Mfr.	National	Mfr No.	Mfr.	National	Mfr No.	Mfr.	National
BH6879E0	NOK	710639	BP13715E	JOHND	455035	BRS187	MOTOR	370023A	BS246	MCCOR	710056
BH6879E	NOK	710639	BP13829	JOHND	473473	BRS21	MOTOR	370024A	BS247	MCCOR	3772
BH6919E0	NOK	710614	BP13831	JOHND	415035	BRS22	MOTOR	4250	BS261	MCCOR	3909
BH6919E	NOK	710614	BP13831	JOHND	455035	BRS23	MOTOR	710430	BS263	MCCOR	228005
BH6961E0	NOK	710769	BP13831E	JOHND	415035	BRS24	MO-CR	710454	BS292	MCCOR	228410
BH6961E	NOK	710769	BP13831E	JOHND	455035	BRS25	MOTOR	370018A	BS293	MCCOR	2218
BHH001A0	NOK	710310	BP1471E0	NOK	710303	BRS27	MOTOR	710519	BS312	MCCOR	4307V
BHH013A0	NOK	228009	BP1471E	NOK	710303	BRS3	MOTOR	4160	BS315	MCCOR	3698
BHH013B0	NOK	228015	BP1481E1	NOK	320603	BRS33	MOTOR	710091	BS321	MCCOR	4359V
BHH465A0	NOK	710415	BP1481E	NOK	320603	BRS4	MOTOR	370047A	BS66	MCCOR	5072
BHH465A	NOK	710415	BP1595E0	NOK	710156	BRS40	MOTOR	8835S	BS86	MCCOR	5095
BHH518A0	NOK	228005	BP1595E	NOK	710156	BRS42	MOTOR	100357	BS140	CLEVI	39807
BHH550A0	NOK	223420	BP2152E0	NOK	710154	BRS43	MOTOR	481191V	BS140	CLEVI	39823
BHH556A0	NOK	227045	BP2152E	NOK	710154	BRS46	MO-CR	710808	BS160	CLEVI	2218
BHH768A0	NOK	710689	BP2175E0	NOK	710156	BRS47	MO-CR	710798	BS160	CLEVI	39608
BHH768A	NOK	710689	BP2175E	NOK	710156	BRS48	MOTOR	370047A	BS174	CLEVI	5591
BHH780A0	NOK	223420	BP2601	AUTSP	473238	BRS49	MOTOR	370047A	BS186	CLEVI	5460
BHH780A	NOK	223420	BP3754E	NOK	221620	BRS5	MOTOR	370023A	BS187	MCCOR	5092
BHH798A0	NOK	228410	BP3881E0	NOK	710153	BRS5	MOTOR	380023A	BS223	CLEVI	455956H
BHH798A	NOK	228410	BP3881G0	NOK	710153	BRS50	MOTOR	3622	BS225	MCCOR	3698
BHH814A0	NOK	1038	BP3881H0	NOK	710153	BRS51	MOTOR	370247A	BS229	MCCOR	712006
BHH817A0	NOK	320595	BP3881E	NOK	710153	BRS52	MOTOR	710067	BS235	MCCOR	227235
BHH819A0	NOK	228700	BP3881G	NOK	710153	BRS53	MOTOR	2674	BS236	MCCOR	228005
BHH903A0	NOK	710608	BP3881H	NOK	710153	BRS54	MO-CR	710828	BS239	MCCOR	228010
BHH903A	NOK	710608	BR1443E0	NOK	224979	BRS55	MOTOR	370179A	BS252	CLEVI	714750
BJ137A	JNSON	481644	BR1443E	NOK	224979	BRS56	MOTOR	4160	BS257	CLEVI	39807
BK15520	MACK	481568	BR2227E0	NOK	710782	BRS57	MOTOR	1932	BS279	MCCOR	5433
BL146	BR-WN	470045	BR2227E	NOK	710782	BRS6	MOTOR	370003A	BS286	CLEVI	39958
BL146	BR-WN	476838	BR3149E0	NOK	221607	BRS6	MOTOR	380003A	BS286	CLEVI	5624
BL156	BR-WN	470045	BR3149E	NOK	221607	BRS69	MOTOR	1932	BS290	MCCOR	3393
BL156	BR-WN	476838	BR3489E0	NOK	221607	BRS7	MOTOR	370047A	BS311	MCCOR	3698
BL3Z4676A	FORD	4278	BR3489E	NOK	221607	BRS70	MOTOR	710323	BS314	CLEVI	3893V
BM1432A	NATSU	416158	BR3Z4676A	FORD	3604	BRS71	MOTOR	4990	BS314	CLEVI	39608
BM1432B	MASSE	455462	BRS1	MOTOR	370001A	BRS77	MOTOR	710540	BS317	CLEVI	39807
BNO7204	MASSE	450472	BRS10	MOTOR	9150S	BRS78	MOTOR	722109	BS354	CLEVI	39805
BNP3640	ROVER	350609	BRS100	MOTOR	710701	BRS79	MOTOR	722108	BS42	MCCOR	5414
BNP4573	ROVER	221207	BRS101	MOTOR	8835S	BRS8	MOTOR	370001A	BS67	MCCOR	5072
BO2056E0	NOK	710253	BRS103	MOTOR	8660S	BRS8	MOTOR	380001A	BS7	MCCOR	5419
BO2056E	NOK	710253	BRS11	MOTOR	6815	BRS80	MOTOR	710044	BS72	MCCOR	5092
BOS6971	PAI	370069A	BRS110	MOTOR	710454	BRS81	MOTOR	3195	BS75	MCCOR	5095
BOS6972	PAI	370069A	BRS113	MOTOR	710454	BRS83	MOTOR	370047A	BS78	MCCOR	5591
BOS7306	PAI	475003N	BRS116	MOTOR	370247A	BRS84	MOTOR	710413	BT1042	HU-WR	415187
BOS7695	PAI	475322N	BRS118	MOTOR	100357	BRS85	MOTOR	722108	BT1044	HU-WR	415035
BOS7696	PAI	415272N	BRS12	MOTOR	9864S	BRS86	MOTOR	710453	BT1044	HU-WR	415953
BOS7697	PAI	415991N	BRS123	MOTOR	710701	BRS87	MOTOR	710414	BV1119437	MAZDA	2027
BOS731	PAARS	415991	BRS124	MOTOR	710586	BRS88	MOTOR	710455	BV3519241	MAZDA	224663
BOS731	PAARS	415991N	BRS137	MO-CR	710584	BRS9	MOTOR	4148	BV6519437	MAZDA	710517
BOS7611	PAI	370031A	BRS14	MOTOR	4250	BRS90	MOTOR	8660S	BW0119241	MAZDA	224663
BOS774	PAARS	416706	BRS15	MOTOR	370023A	BRS93	MOTOR	710625	BW2929	MASSE	473463
BP0110602	MAZDA	223012	BRS15	MOTOR	380023A	BRS98	MOTOR	710640	BW2948	MASSE	473463
BP0110602A	MAZDA	223012	BRS158	MO-CR	710705	BRS2	MOTOR	370132A	BW3016E0	NOK	710736
BP0511312	MAZDA	228250	BRS159	MOTOR	710706	BS160	MCCOR	2218	BW3016F0	NOK	710736
BP10881	JOHND	473415	BRS16	MOTOR	415960	BS161	MCCOR	2377	BW3016E	NOK	710736
BP1134E0	NOK	221820	BRS162	MOTOR	370023A	BS197	MCCOR	5092	BW3016F	NOK	710736
BP1134E	NOK	221820	BRS169	MOTOR	710706	BS203	MCCOR	5650	BW3025E0	NOK	710121
BP1315E0	NOK	7412S	BRS170	MOTOR	710701	BS210	MCCOR	5072	BW3025E	NOK	710121
BP1315E	NOK	7412S	BRS174	MOTOR	710808	BS214	MCCOR	5095	BW3386E0	NOK	224872
BP13166	JOHND	204038	BRS179	MOTOR	9864S	BS216	MCCOR	3698	BW3386E	NOK	224872
BP13166E	JOHND	204002	BRS18	MOTOR	4250	BS233	MCCOR	710060	BW3684E	NOK	710214
BP13715E	JOHND	415035	BRS180	MOTOR	370247A	BS238	MCCOR	228020	BW3691E0	NOK	710246

INTERCHANGE SECTION

COMPETITIVE INTERCHANGES



Mfr No.	Mfr. National	Mfr No.	Mfr. National	Mfr No.	Mfr. National	Mfr No.	Mfr. National
BW3691E	NOK 710246	C0NN1190B	FORD 471870	C1251	LEROI 450117	C1AP7052B	FORD 7300S
BW3692E0	NOK 710527	C0NN1190C	FORD 200855	C1251	LEROI 472572	C1AP7052A	FORD 7692S
BW3692E	NOK 710527	C0NN4115B	FORD 416011	C12510	LEROI 470045	C1DD1190A	FORD 7994S
BW3694E0	NOK 710528	C0NN4115B	FORD 417621	C12510	LEROI 476838	C1DP7052A	FORD 2655
BW3694E	NOK 710528	C0NN6700A	FORD 350936	C12511	LEROI 470120	C1DR3591A3	FORD 240414
BW4098E0	NOK 710723	C0NN6701A	FORD 2692	C12511	LEROI 471224	C1DW1177A	FORD 484054
BW4098E	NOK 710723	C0NN7048A	FORD 470351	C12512	LEROI 417205	C1DW1177A1	FORD 484054
BW4265E0	NOK 710133	C0NN7052A	FORD 472258	C1252	LEROI 411394	C1DW1177A2	FORD 484054
BW4265E	NOK 710133	C0NN7052A	FORD 480570	C1252	LEROI 450317	C1DZ1177A	FORD 484054
BW6017335	MAZDA 223801	C0NN7052A1	FORD 480570	C12522	LEROI 411253	C1DZ1190A	FORD 7994S
BX15940E	JOHND 204002	C0NNA734A	FORD 412920	C12522	LEROI 450099	C1TT1190A	FORD 7780N
BX42145	JOHND 410496	C0TT4813C	FORD 417484N	C12525	LEROI 473463	C1TT1190B	FORD 416273
BY404493	LETN 415442	C0TT4813C	FORD 455322N	C1253	LEROI 6283S	C1TT3591D	FORD 450400
BY440493	LK-BT 415442	C0TT7B216A	FORD 6835S	C1255	LEROI 410102	C1TT3591E	FORD 450400
BZ1106E	NOK 5778	C0TZ4813A	FORD 417484N	C132214	CUMMI 471763	C1TT3591F	FORD 323138
BZ1106E0	NOK 5778	C0TZ4813A	FORD 455322N	C135111	SPICE 417484N	C1TT3591G	FORD 474278
BZ3441E0	NOK 710107	C0TZ7288A	FORD 6835S	C135111	SPICE 455322	C1TT3591H	FORD 6859S
BZ3441E	NOK 710107	C10068333	STEEL 240385	C13612	JOHND 473473	C1TT3591I	FORD 474276
BZ4396E0	NOK 710178	C10068334	STEEL 340853	C13612C	JOHND 473473	C1TT4373A	FORD 35949N
BZ4396E	NOK 710178	C102467	SCHWI 473211	C1401	CLARK 415147	C1TT4478A	FORD 417484N
BZ5829E0	NOK 710821	C10260	CASE 471466	C1401	CLARK 415449	C1TT4478A	FORD 475322N
BZ5829E	NOK 710821	C10274	AT SU 470064	C1443	HOUGH 415988	C1TT4573A	FORD 35949N
BZ5913E0	NOK 710807	C10274	AT SU 471821	C1443	OLIVE 415988	C1TT4676A	FORD 475009N
BZ5913F0	NOK 710807	C102747	SCHWI 473211	C1443A	OLIVE 415960	C1TT4813A	FORD 450519
BZ5913E	NOK 710807	C10275	AT SU 470074	C1443A	OLIVE 455009	C1TT4813A	FORD 471271
BZ5913F	NOK 710807	C10275	AT SU 474265	C14872	JOHND 472213	C1TT4813B	FORD 415836
BZ6302E1	NOK 710601	C104814	SCHWI 472826	C14873	JOHND 471692	C1TT4813B	FORD 415995
BZ6302E	NOK 710601	C104815	SCHWI 450066	C149	UNIT 470059	C1TT4813C	FORD 410308
BZ6303E0	NOK 710892	C104815	SCHWI 473367	C149	UNIT 470380	C1TT4813C	FORD 450308
BZ6303F0	NOK 710892	C105073	SCHWI 470219	C150811	SCHWI 471567	C1TZ1190A	FORD 416273
BZ6303E	NOK 710892	C105073	SCHWI 471649	C151	IRON 411253	C1TZ3591A	FORD 470120
BZ6303F	NOK 710892	C105798	SCHWI 450070	C151	IRON 450099	C1TZ3591A	FORD 471224
C0500	GRAM 50266	C105798	SCHWI 472185	C1520	BORGW 450083	C1TZ4676A	FORD 475009N
C15231	JAGUA 40520S	C107373	SCHWI 450066	C1520	BORGW 472924	C1UP7B498A	FORD 7929S
CND1608A	FAIRB 351487	C107373	SCHWI 473367	C152006EX	OLIVE 470059	C1UU1190A	FORD 7834
C01Q1190A	FORD 416865	C107592	SCHWI 473016	C152006EX	OLIVE 470380	C1UW1177	FORD 51322
C01Q1190B	MARMO 416865	C108187	SCHWI 450117	C1521	BORGW 473458	C1UW1177A	FORD 51322
C01Q19846A2	FORD 472394	C108187	SCHWI 472572	C15265	JOHND 416664	C1UW1177A3	FORD 51322
C0DD1190A	FORD 7994S	C108189	SCHWI 470045	C15265	JOHND 455364	C1UW4676B	FORD 7457N
C0DE6700A	FORD 7486S	C108189	SCHWI 476838	C16322	JOHND 473237	C1UW4676B1	FORD 7457N
C0DE6700A3	FORD 7486S	C108190	SCHWI 471705	C16326	JOHND 472258	C1UZ1190A	FORD 7834
C0DE6701A	FORD 5095	C1087	OLIVE 471820	C165	MID-R 471750	C1UZ4676B	FORD 7457N
C0DP7A248A	FORD 331107N	C108850	SCHWI 471192	C1700	MID-R 470027	C1UZ4676C	FORD 7457N
C0DP7A32	FORD 7495S	C110460	SCHWI 472012	C1700	MID-R 471554	C1VP7052A	FORD 7937N
C0DR1177A3	FORD 451182	C110849	SCHWI 450082	C17435	SCHWI 450084	C1VP7B498A	FORD 7929S
C0DR3591A	FORD 240414	C110849	SCHWI 473238	C175004	JEFF 413478	C1VV1177A	FORD 482253
C0DR3591A3	FORD 240414	C1110	OLIVE 415995	C17909	US-EL 470712	C1VV1177B	FORD 482253
C0DR7052A	FORD 7495S	C1110	OLIVE 455013	C17914	US-EL 472185	C1VV1177C	FORD 482253
C0DR7288A	FORD 7399S	C111089	SCHWI 471787	C18338	US-EL 415988	C1VV1190	FORD 7834
C0DR77047	FORD 480210	C111576	SCHWI 473016	C19540	JOHND 471854	C1VV1190A	FORD 9150S
C0DR7A283A	FORD 480210	C1118	BORGW 471570	C19728	JOHND 471765	C20110602	MAZDA 711002
C0DW1177A	FORD 451182	C112594	SCHWI 471689	C1AA1177A	FORD 473228	C2113H3100	NISSA 222430
C0DW1177A3	FORD 451182	C113841	SCHWI 470120	C1AA1177A	FORD 51098	C2113P9500	NISSA 7412S
C0DW1177A4	FORD 451182	C113841	SCHWI 471224	C1AE6700A	FORD 2692	C2208	MASSE 50081
C0DW4676A	FORD 7457N	C115	UNIT 450301	C1AE6700A1	FORD 2692	C23584EX	OLIVE 473228
C0DZ4676A	FORD 7457N	C115	UNIT 472397	C1AE6700A2	FORD 2692	C23584EX	OLIVE 51098
C0LR3591E	FORD 471652	C119	UNIT 416339	C1AE6700B	FORD 2692	C23772	TIMKE 417538
C0MM7048A	FORD 470351	C119	UNIT 455031	C1AE6700B1	FORD 2692	C2583E	JOHND 480821
C0MW4676A	FORD 7044NA	C119701X01	NISSA 224979	C1AE6700B2	FORD 2692	C263	UNIT 450070
C0NN7207A	FORD 3667	C12079	CASE 470390	C1AE6700B3	FORD 2692	C263	UNIT 472185

INTERCHANGE SECTION

COMPETITIVE INTERCHANGES

Mfr No.	Mfr.	National	Mfr No.	Mfr.	National	Mfr No.	Mfr.	National	Mfr No.	Mfr.	National
C29214	NOK	320249	C3127	LEROI	474254	C3TZ7A283B	FORD	330663	C5NNA734A	FORD	472018
C2AA3B592A	FORD	6835S	C314210R01	NISSA	710121	C3TZ7A283B	FORD	472354	C5NNP709B	FORD	473234
C2AE6700A	FORD	2692	C319616	JEFF	450083	C3UA1190A	FORD	7834	C5TA1175A	FORD	410987
C2AE6700A1	FORD	2692	C319616	JEFF	472924	C3UW4676A	FORD	7457N	C5TA1190A	FORD	370179A
C2AE6700A2	FORD	2692	C319618	JEFF	415995	C3VA4676A	FORD	6808N	C5TA1190A	FORD	4148
C2AE6700B	FORD	2692	C319618	JEFF	455013	C4008	JOHND	474278	C5TA1190A	FORD	471424
C2AP7052A	FORD	7692S	C3203	JAGUA	471571	C4008	JOHND	480356	C5TA1190B	FORD	370048A
C2AP7A248A	FORD	331107N	C35434301043	IH	455080	C4123	GRAY	472439	C5TA1190B	FORD	370182A
C2AP7A248A2	FORD	331107N	C3577	JOHND	415027	C43147	PETTI	410316	C5TA1190B	FORD	380048A
C2AP7A248B	FORD	6988H	C3577	JOHND	455027	C43147	PETTI	472636	C5TA1190C	FORD	4148
C2AW4676A3	FORD	7044NA	C3577E	JOHND	415027	C45711	JAGUA	473454	C5TA1190C	FORD	471424
C2AZ3B592A	FORD	6835S	C3577E	JOHND	455027	C459	UNIT	415082	C5TA1190D	FORD	370179A
C2AZ4676A	FORD	7044NA	C390212	FORD	470088	C460	ITM	472164	C5TA1190D	FORD	9339S
C2AZ4676B	FORD	7044NA	C3939	JOHND	323138	C463	ITM	471192	C5TS38007D	FORD	370007A
C2AZ6700A	FORD	2692	C3940E	JOHND	41461S	C4811	JAGUA	330385	C5TZ1S190D	FORD	370179A
C2AZ7052A	FORD	7692S	C3AE6700A	FORD	2942	C4FR7A283A	FORD	7412S	C5TZ1190A	FORD	4148
C2AZ7A248A	FORD	331107N	C3AE6700A1	FORD	2942	C4OZ1177A	FORD	9569S	C5TZ1190A	FORD	471424
C2C11491	JAGUA	713771	C3AZ3591A	FORD	340151	C4TA1190A	FORD	7866S	C5TZ1190B	FORD	370048A
C2C6719	JAGUA	710487	C3AZ4676A	FORD	7044NA	C4TA4676A	FORD	475003N	C5TZ1190B	FORD	370182A
C2C6727	JAGUA	710484	C3AZ6700A	FORD	2692	C4TA7048A	FORD	482163N	C5TZ1190B	FORD	380048A
C2DA7288A	FORD	7399S	C3AZ6700A	FORD	2942	C4TE6700A	FORD	413246N	C5TZ1190D	FORD	370179A
C2DZ3591A	FORD	240414	C3AZ7052A	FORD	7300S	C4TE6700A	FORD	483246N	C5TZ1190D	FORD	9339S
C2DZ7288A	FORD	7399S	C3AZ7A248A	FORD	6988H	C4TE6700A1	FORD	413246N	C5TZ7052A	FORD	7412S
C2DZ7A011A	FORD	471651	C3OP7A248A1	FORD	331107N	C4TE6700A1	FORD	483246N	C5TZ7052B	FORD	470380
C2OE6701A	FORD	5095	C3OW1177B	FORD	9569S	C4TR7052A1	FORD	410059	C5ZA1190A	FORD	6815
C2OP7052B	FORD	7692S	C3SZ3591A	FORD	471646	C4TR7052A1	FORD	470380	C5ZZ1190A	FORD	6815
C2OR3591A	FORD	240151	C3TA1175F	FORD	370009A	C4TS38007B	FORD	370001A	C610	ITM	472164
C2OW4676B	FORD	8181NA	C3TA1175F	FORD	380009A	C4TS38007B	FORD	380001A	C61070	C-P	470403
C2OW4676C	FORD	8181NA	C3TA1175FA	FORD	370009A	C4TZ7051A	FORD	482163N	C61070	C-P	470774
C2OW4676C3	FORD	8181NA	C3TA1175FA	FORD	380009A	C4TZ1190A	FORD	7866S	C617	ITM	470898
C2OZ4676A	FORD	8181NA	C3TA1190A	FORD	7780N	C4TZ4676A	FORD	475003N	C63382	C-P	451583
C2OZ4676B	FORD	8181NA	C3TA1190B	FORD	44052	C4TZ6700A	FORD	413246N	C649	ITM	450389
C2OZ6701A	FORD	5095	C3TA1190D	FORD	6954S	C4TZ6700A	FORD	483246N	C649	ITM	472492
C2S12093	JAGUA	710442	C3TA4478A	FORD	475012N	C4TZ7048A	FORD	482163N	C693A	OLIVE	413469
C2S13884	JAGUA	710356	C3TA4676A	FORD	415086N	C4TZ7052A	FORD	410059	C6AW4676A	FORD	7044NA
C2S13885	JAGUA	710808	C3TA4676A	FORD	417487	C4TZ7052A	FORD	470380	C6AZ1190A	FORD	9150S
C2S1490	JAGUA	3604	C3TA4813A	FORD	415013N	C4UP7052A	FORD	470687	C6DW1177D	FORD	9161
C2S48116	JAGUA	482041N	C3TA4813A	FORD	415995V	C4UZ7052A	FORD	470687	C6DZ1177A	FORD	9161
C2S52518	JAGUA	3604	C3TR7A283A	FORD	330663	C4VW4676B	FORD	6808N	C6OW4676	FORD	8181NA
C2SZ3591A	FORD	471413	C3TR7A283A	FORD	472354	C4VY4676A	FORD	6808N	C6TZ1175B	FORD	412119
C2SZ3591A	FORD	7412S	C3TS38007C	FORD	370001A	C4VY4676C	FORD	6808N	C6TZ1175B	FORD	472856
C2SZ3B592A	FORD	470954	C3TS38007C	FORD	380001A	C51	UNIT	415458	C6TZ1181A	FORD	472747
C2TA38007C	FORD	370007A	C3TS38007D	FORD	370001A	C51	UNIT	455003	C6TZ1190A	FORD	472394
C2TA4813A	FORD	417484N	C3TS38007D	FORD	380001A	C58	UNIT	450301	C6TZ3171A	FORD	204005
C2TA4813A	FORD	455322N	C3TS38007E	FORD	370007A	C58	UNIT	472397	C6TZ3254A	FORD	40652S
C2TR3591A	FORD	340151	C3TS4A052E	FORD	370036A	C5AA1190A1	FORD	6815	C6TZ3254B	FORD	472258
C2TS38007A	FORD	370007A	C3TS4A052E	FORD	370349A	C5AA1190A2	FORD	6815	C6TZ3254B	FORD	480570
C2TS4A052A	FORD	370023A	C3TS4A052E	FORD	380036A	C5AR3B592B2	FORD	8773S	C6TZ3254C	FORD	5131
C2TS4A052A	FORD	380023A	C3TZ1190A	FORD	7780N	C5AR7A283A	FORD	471652	C6TZ3254D	FORD	471766
C2TZ4813A	FORD	417484N	C3TZ3591A	FORD	340413	C5AR7A283A	FORD	482208	C6TZ4676A	FORD	5778
C2TZ4813A	FORD	455322N	C3TZ4478A	FORD	475012N	C5AZ3D526A	FORD	471645	C6TZ4676B	FORD	6808N
C3002	JAGUA	450867	C3TZ4478B	FORD	415086N	C5AZ3B592B	FORD	8773S	C6TZ7052A	FORD	410059
C305208	GWI	470120	C3TZ4478B	FORD	417487	C5AZ3B592C	FORD	8773S	C6TZ7052A	FORD	470380
C305208	GWI	471224	C3TZ4676A	FORD	415086N	C5AZ6701A	FORD	2377	C6TZ7052B	FORD	410059
C305232	SCHWI	40395	C3TZ4676A	FORD	417487	C5AZ6701B	FORD	2377	C6TZ7288C	FORD	471466
C305232	SCHWI	40395S	C3TZ4676B	FORD	416282	C5AZ6701B	FORD	5278	C6TZ7918A	FORD	415983N
C305233	SCHWI	240009	C3TZ4813A	FORD	415013N	C5AZ7052A	FORD	7412S	C6TZ7A283A	FORD	415991
C3118	LEROI	450161	C3TZ4813A	FORD	415995V	C5FR7A283A	FORD	471413	C6TZ7B215A	FORD	450185
C3118	LEROI	471764	C3TZ7A248B	FORD	330663	C5NN7N097A	FORD	342805	C6TZ7B215A	FORD	473229
C3127	LEROI	470347	C3TZ7A248B	FORD	472354	C5NN6700A	FORD	483246N	C6TZ7B215D	FORD	470682

INTERCHANGE SECTION

COMPETITIVE INTERCHANGES



Mfr No.	Mfr.	National	Mfr No.	Mfr.	National	Mfr No.	Mfr.	National	Mfr No.	Mfr.	National
C6UW4676A	FORD	7457N	C8189C7000	NISSA	710195	C920732	KOEHL	471760	CA1130	CLARK	471472
C6VP7052A	FORD	473473	C8189N3100	NISSA	712011	C9526	WHITE	415023	CA1131	CLARK	471466
C6VW1177A	FORD	482253	C86639	C-P	240151	C9AE6701B	FORD	5116	CA1239	HARRI	415281N
C6VY1177A	FORD	482253	C86640	C-P	473211	C9AR7A283A	FORD	471652	CA1243	HARRI	417563
C6VY7052A	FORD	473473	C86643	C-P	6597S	C9AR7A283A	FORD	482208	CA1245	HARRI	412119
C70Z3591A	FORD	340151	C87265	C-P	350954	C9AR7A283AA	FORD	3638	CA1245	HARRI	450101
C759	ITM	8160S	C87265	C-P	470954	C9AZ7A283A	FORD	3638	CA1311	HARRI	470358
C77115	C-P	40208	C87466	C-P	240733	C9AZ1177A	FORD	473228	CA1311	HARRI	473231
C777	ITM	471195	C87467	C-P	240716	C9AZ1177A	FORD	51098	CA1319	HARRI	455019
C777	ITM	481195	C8878143	BENDI	470241	C9AZ6701A	FORD	5118	CA1471	HARRI	471267
C786	ITM	450365	C8878143	BENDI	471785	C9AZ6701B	FORD	5116	CA1545	HARRI	471466
C786	ITM	470898	C8AW4676A	FORD	7044NA	C9DZ1177A	FORD	9161	CA1546	HARRI	450444
C788	ITM	450389	C8AZ1190A	FORD	6815	C9HA1175A	FORD	370019A	CA1546	HARRI	471835
C788	ITM	472492	C8HA1173A	FORD	370019A	C9HA1175B	FORD	370019A	CAC8663	JAGUA	710638
C79078	C-P	472951	C8HA1173B	FORD	370019A	C9HA1175C	FORD	370021A	CAL1982	LEYLD	370003A
C79078	C-P	474252	C8HA1173C	FORD	370021A	C9HA1175D	FORD	370021A	CATE6700A5	FORD	413246N
C7AE6701B	FORD	2377	C8HA1173D	FORD	370021A	C9HA1190A	FORD	370054A	CATE6700A5	FORD	483246N
C7AW1177A	FORD	8660S	C8HA1175A	FORD	370019A	C9HA1190B	FORD	370057A	CB78	FITZ	5092
C7AW1177F	FORD	473228	C8HA1175B	FORD	370019A	C9HZ1S190A	FORD	2674	CBC1706	JAGUA	710637
C7AW1177F	FORD	51098	C8HA1175C	FORD	370021A	C9HZ1175A	FORD	370019A	CBS1	FITZ	5419
C7AW1177H	FORD	8660S	C8HA1175D	FORD	370021A	C9HZ1175B	FORD	370021A	CBS44	FITZ	5414
C7AW1177J	FORD	473228	C8HZ1175A	FORD	370019A	C9HZ1190A	FORD	2674	CC11553	DIA	412119
C7AW1177J	FORD	51098	C8HZ1175B	FORD	370021A	C9HZ1190B	FORD	370057A	CC11553	DIA	450101
C7AW4676A	FORD	3604	C8HZ4674A	FORD	712937	C9NN4N109A	FORD	455147	CC149	FMC	417562
C7AZ1177A	FORD	8660S	C8JJ6701A	FORD	415138	C9NN7N838A	FORD	475003N	CC1553	DIA	417344
C7AZ4676A	FORD	3604	C8T24676B	FORD	413246N	C9OZ6701A	FORD	5095	CC1553	DIA	455006
C7AZ7B498A	FORD	7929S	C8T24676B	FORD	470574N	C9TA1175A	FORD	4250	CC20Z4676B	FORD	8181NA
C7DW1177A	FORD	9161	C8T27048A	FORD	472164V	C9TA1175B	FORD	4250	CC2AZ4676B	FORD	7044NA
C7DW1177B	FORD	9161	C8T27048A	FORD	482164N	C9TA1175B1	FORD	4250	CC3Z1S175A	FORD	9864S
C7NN7048B	FORD	472041	C8TA1173C	FORD	370047A	C9TA1175B2	FORD	4250	CC61957	C-W	470027
C7NN7048B	FORD	473454	C8TA1173D	FORD	370047A	C9TA1175B3	FORD	4250	CC61957	C-W	471554
C7OR3591A3	FORD	340151	C8TA1173G	FORD	370023A	C9TA1175C2	FORD	9864S	CC7AZ4676A	FORD	3604
C7OW1177E	FORD	9569S	C8TA1173G	FORD	380023A	C9TA1175G	FORD	9584	CCC4466	JAGUA	710638
C7OW1177F	FORD	9363S	C8TA1173H	FORD	370023A	C9TA1175H	FORD	9584	CDT27052A	FORD	410059
C7OW1177K	FORD	9569S	C8TA1173H	FORD	380023A	C9TA1175K	FORD	370008A	CDT27052A	FORD	470380
C7OW1177L	FORD	9569S	C8TA1175C	FORD	9584	C9TA1175L	FORD	370023A	CE5311	DURA	472705
C7OZ1177A	FORD	9363S	C8TA1175D	FORD	9584	C9TA1175L	FORD	380023A	CE7009	CLARK	710425
C7OZ1177B	FORD	9569S	C8TA1175F	FORD	370008A	C9TA1175M	FORD	370023A	CE7011	CLARK	710562
C7OZ3591A	FORD	340151	C8TA1175G	FORD	370023A	C9TA1175M	FORD	380023A	CE7021	CLARK	711000
C7TA1190B1	FORD	44053	C8TA1175G	FORD	380023A	C9TA1175M	FORD	5667	CE851733	CLARK	471689
C7TA1190B2	FORD	44053	C8TA1175H	FORD	370023A	C9TA1175R	FORD	370009A	CEX11781	GMC	411253
C7TA1190D2	FORD	4148	C8TA1175H	FORD	380023A	C9TA1175R	FORD	380009A	CEX11781	GMC	450099
C7TA1190D2	FORD	471424	C8TZ1175B	FORD	9584	C9TAC1175A1	FORD	416273	CEX2875	GMC	410059
C7TS38007A	FORD	370001A	C8TZ1175C	FORD	370008A	C9TZ1175A	FORD	4250	CEX2875	GMC	470380
C7TS38007A	FORD	380001A	C8TZ1175D	FORD	370023A	C9TZ1175B	FORD	9864S	CFS116	PETTI	415317
C7TW1177A	FORD	473228	C8TZ1175D	FORD	380023A	C9TZ1175B1	FORD	4250	CL251	CLARK	472179
C7TW1177A	FORD	51098	C8TZ1177A	FORD	473228	C9TZ1175C	FORD	4250	CLHX3AO	MARMO	416888
C7TZ1175A	FORD	9864S	C8TZ1177A	FORD	481837	C9TZ1190A	FORD	416273	CLHX3AO	MARMO	455200
C7TZ1190B	FORD	44053	C8TZ4676A	FORD	475012N	C9TZ1S175A	FORD	4250	CM19	FMC	352541
C7TZ1190C	FORD	6954S	C8TZ4676B	FORD	413246N	C9TZ1S175C	FORD	4250	CM19	LK-BT	352541
C7TZ1190D	FORD	4148	C8TZ4676B	FORD	483246N	C9TZ4676A	FORD	9773	CM5E6700AB	FORD	223750
C7TZ1190D	FORD	471424	C8TZ7048A	FORD	450494	C9TZ7052A	FORD	452554N	CM5G6700EA	FORD	710279
C7TZ7A283A	FORD	456744N	C8TZ7048A	FORD	472164	C9TZ7052B	FORD	100495	CM5G6K301EA	FORD	223750
C7TZ7A283B	FORD	415995	C8TZ7918A	FORD	415991	C9TZ7052B	FORD	415281N	CM5Z6700A	FORD	223750
C7TZ7A283B	FORD	455013	C8TZ7918A	FORD	415991N	C9UZ1177A	FORD	9568	CM5Z6700B	FORD	710279
C7UW1177D	FORD	9568	C8UW1177A	FORD	9568	C9VY1177A	FORD	482253	CM5Z6700C	FORD	223750
C7UW1177F	FORD	51322	C900	ITM	474274	C9ZZ6701A	FORD	5108	CO24	ATP	4950
C7UW1177G	FORD	9568	C90Z6701A	FORD	5095	CA1056	CLARK	471795	CO3	ATP	472015
C7VW1177A	FORD	482253	C912	JAGUA	472299	CA1057	CLARK	450067	CO36	ATP	4934
C818901G00	NISSA	710211	C920713	KOEHL	471498	CA1057	CLARK	473228	CO37	ATP	4950

INTERCHANGE SECTION

COMPETITIVE INTERCHANGES

Mfr No.	Mfr.	National	Mfr No.	Mfr.	National	Mfr No.	Mfr.	National	Mfr No.	Mfr.	National
CO4	ATP	6712NA	CR2231	BREDA	482126	CR7538	BREDA	224210	CV6Z1S177A	FORD	710808
CP12112	PERSN	204035	CR2232	BREDA	482126	CR7539	BREDA	1955	CX11471E	JOHND	450523
CP1211B	PERSN	204035	CR2233	BREDA	710215	CR7540	BREDA	223605	CX3183E	JOHND	450765
CP1556	PERSN	470543	CR225112	GOODM	470169	CR7542	BREDA	1180	CY0110602	MAZDA	482041N
CP1556	PERSN	474272	CR225112	GOODM	473214	CR7543	BREDA	224210	CY0110602	MAZDA	710837
CP2113	DEMPC	470045	CR2277	BREDA	473454	CR7544	BREDA	223840	CY0111312	MAZDA	710896
CP2113	DEMPC	476838	CR2311	BREDA	225082	CR7545	BREDA	1180	CY0111312A	MAZDA	710896
CP2213	DEMPC	473215	CR2501	BREDA	1962	CR7547	BREDA	710642	CY0111312B	MAZDA	710896
CP2214	DEMPC	470059	CR2548	BREDA	1962	CR7549	BREDA	225275	CY0210602	MAZDA	710837
CP2214	DEMPC	470380	CR2641	BREDA	1208	CR7551	BREDA	225275	D00E6701A	FORD	5117
CP2413	DEMPC	471820	CR5754	GOODM	415041	CR7556	BREDA	1956	D00W4676B	FORD	8181NA
CP2414	DEMPC	450066	CR7001	BREDA	1948	CR7557	BREDA	1959	D00Z6701A	FORD	5117
CP2414	DEMPC	473367	CR7002	BREDA	225010	CR7559	BREDA	710311	D0A1190	FORD	40438S
CP2613	DEMPC	470088	CR7003	BREDA	2002	CR7560	BREDA	710320	D0AA1190A	FORD	6815
CP2614	DEMPC	450095	CR7004	BREDA	225225	CR7561	BREDA	1126	D0AE6700A	FORD	2692
CP2614	DEMPC	473464	CR7005	BREDA	1188	CR7562	BREDA	710311	D0AE6700A2	FORD	2692
CP6072A	FAIRB	417533	CR7007	BREDA	225010	CR7563	BREDA	710311	D0AE6700A2A	FORD	2692
CP6072B	FAIRB	416107	CR7008	BREDA	710168	CR7566	BREDA	224235	D0AW4676C	FORD	3604
CP6072B	FAIRB	455073	CR7010	BREDA	1183	CR7567	BREDA	1973	D0AW4676D	FORD	7044NA
CP6072C	FAIRB	415150	CR7016	BREDA	225650	CR7568	BREDA	1973	D0AZ6700A	FORD	2692
CP6072D	FAIRB	455195	CR7017	BREDA	225650	CR7570	BREDA	224210	D0AZ7A283A	FORD	330663
CP6072D	FAIRB	472157	CR7019	BREDA	710107	CR7582	BREDA	1955	D0AZ7A283A	FORD	472354
CP6072E	FAIRB	416892	CR7021	BREDA	710125	CR7583	BREDA	225010	D0HA1175E	FORD	370021A
CP6072H	FAIRB	415379	CR7022	BREDA	710108	CR7584	BREDA	710338	D0HA1175F	FORD	370009A
CP6072H	FAIRB	455379	CR7031	BREDA	1950	CR7585	BREDA	224100	D0HA1175F	FORD	380009A
CP6072J	FAIRB	455191	CR7032	BREDA	224820	CR7586	BREDA	710338	D0HA1190L	FORD	370008A
CP6072K	FAIRB	416229	CR7035	BREDA	5686	CR7587	BREDA	710338	D0HM1190A	FORD	370054A
CP6072L	FAIRB	415551	CR7037	BREDA	226285	CR7590	BREDA	1956	D0HZ1175A	FORD	370046A
CP6072M	FAIRB	417362	CR7038	BREDA	1993	CR7591	BREDA	494117	D0HZ1175B	FORD	370047A
CP6072R	FAIRB	417603	CR7040	BREDA	225220	CR7592	BREDA	710456	D0HZ1175C	FORD	370009A
CP6072W	FAIRB	416239	CR7043	BREDA	710092	CR7594	BREDA	710097	D0HZ1175C	FORD	380009A
CP6072X	FAIRB	415482	CR7045	BREDA	1993	CR7595	BREDA	473367	D0HZ1175D	FORD	370023A
CP6072Y	FAIRB	417020	CR7046	BREDA	225673	CR7604	BREDA	224820	D0HZ1175D	FORD	380023A
CP6147A	FAIRB	415991	CR7048	BREDA	1126	CR7607	BREDA	224200	D0HZ1175E	FORD	370019A
CP6147A	FAIRB	455146	CR7049	BREDA	1213N	CR7610	BREDA	224820	D0HZ1175F	FORD	370021A
CP6147B	FAIRB	416865	CR7050	BREDA	4990	CR7611	BREDA	224820	D0HZ1190A	FORD	370054A
CP6147B	FAIRB	455070	CR7054	BREDA	225220	CR7612	BREDA	1955	D0HZ1190B	FORD	370001A
CP6147C	FAIRB	416107	CR7058	BREDA	1932	CR7613	BREDA	1955	D0HZ1190B	FORD	380001A
CP6147C	FAIRB	455073	CR7062	BREDA	1196	CR7616	BREDA	1955	D0HZ1190C	FORD	370057A
CP6228A	FAIRB	416364	CR7063	BREDA	494122	CR7618	BREDA	710227	D0HZ1190D	FORD	370008A
CP813	DEMPC	411253	CR7067	BREDA	225230	CR7619	BREDA	224015	D0HZ1190E	FORD	370048A
CP813	DEMPC	450099	CR7071	BREDA	4898	CR7620	BREDA	223830	D0HZ1190E	FORD	370182A
CP814	DEMPC	415458	CR7086	BREDA	1948	CR7621	BREDA	1984	D0HZ1190E	FORD	380048A
CP814	DEMPC	455003	CR7088	BREDA	4904	CR7622	BREDA	225005	D0HZ1190F	FORD	370048A
CR2654	BREDA	1955	CR7097	BREDA	224200	CR7624	BREDA	710404	D0HZ1190F	FORD	370182A
CR1501	GOODM	470120	CR7100	BREDA	1974	CR7633	BREDA	223240	D0HZ1190F	FORD	380048A
CR1501	GOODM	471224	CR7101	BREDA	225230	CR7635	BREDA	225530	D0TA1190A	FORD	2222
CR15024	GOODM	471567	CR7102	BREDA	225230	CR7636	BREDA	4904	D0TP7048A	FORD	471271
CR1540	BREDA	224100	CR7103	BREDA	1974	CR7640	BREDA	1928	D0TZ1175A	FORD	370046A
CR1541	BREDA	224015	CR7104	BREDA	1974	CR9815	FULLE	240731	D0TZ1175B	FORD	5649
CR1544	BREDA	1973	CR7110	BREDA	225410	CTCAA1175A	FORD	415960	D0TZ1175C	FORD	370008A
CR1557	BREDA	472213	CR7112	BREDA	226285	CTCAA1175A	FORD	455009	D0TZ1175D	FORD	370023A
CR17	FMC	416149	CR7113	BREDA	226285	CTL3A5038	MARMO	412119	D0TZ1175D	FORD	380023A
CR17	LK-BT	416149	CR7119	BREDA	4904	CTL3A5038	MARMO	450101	D0TZ1175D	FORD	5667
CR1871	GOODM	471733	CR7120	BREDA	4904	CTL65037	MARMO	415371	D0TZ1175E	FORD	370009A
CR2161	BREDA	1012N	CR7503	BREDA	223550	CTL65038	MARMO	416921	D0TZ1175E	FORD	380009A
CR2163	BREDA	239155	CR7508	BREDA	4175	CTL65038	MARMO	455011	D0TZ1175E	FORD	5089
CR2171	BREDA	1174	CR7522	BREDA	1196	CTL65080	MARMO	450078	D0TZ1177A	FORD	710067
CR2172	BREDA	4175	CR7531	BREDA	710130	CTL65080	MARMO	473444	D0TZ1190A	FORD	2222
CR2212	BREDA	710467	CR7533	BREDA	224045	CTLS4TA1761	MARMO	475012N	D0TZ4676A	FORD	9316

INTERCHANGE SECTION

COMPETITIVE INTERCHANGES



Mfr No.	Mfr.	National	Mfr No.	Mfr.	National	Mfr No.	Mfr.	National	Mfr No.	Mfr.	National
D0TZ7A011A	FORD	450519	D1AW1177C	FORD	473228	D29862	CASE	341022	D3HA1190B1A	FORD	370048A
D0TZ7A011A	FORD	471271	D1AW1177C	FORD	51098	D29862	CLARK	341022	D3HA1190B1A	FORD	370182A
D0UW4676A	FORD	7044NA	D1AW1177D	FORD	8660S	D2AP7052AA	FORD	7300S	D3HA1190B1A	FORD	380048A
D10026	JOHND	203006	D1AW1177E	FORD	8660S	D2AW4676A	FORD	3604	D3HS1175AA	FORD	370023A
D102210	GAL	416556	D1AZ1177A	FORD	8660S	D2FZ1177A	FORD	1994	D3HS1175AA	FORD	380023A
D102210	GAL	472157	D1AZ1177B	FORD	8660S	D2FZ7052A	FORD	1990	D3HS1175BA	FORD	370019A
D102245	GAL	J1130	D1AZ7052A	FORD	7692S	D2HA4813A2A	FORD	415995V	D3HS1175CA	FORD	370019A
D10297	THEW	415150	D1DW1177A	FORD	9161	D2HA4813AA	FORD	415013N	D3HS1190AA	FORD	370001A
D10312	THEW	415150	D1FZ6700A	FORD	473560N	D2HA4813AA	FORD	455013	D3HS1190AA	FORD	380001A
D1056	JOHND	450089	D1FZ7052A	FORD	2443	D2HA4813BA	FORD	415088	D3HZ1175A	FORD	370003A
D105762	GAL	476470	D1FZ7A011A	FORD	2503N	D2HA4813BA	FORD	455088	D3HZ1175A	FORD	380003A
D106339	GAL	415248N	D1HA1190BA	FORD	370057A	D2HZ3591A	FORD	340413	D3HZ7052A	FORD	415379
D106344	GAL	470567	D1HA1190DA	FORD	370057A	D2HZ3591D	FORD	323138	D3TA1175BA	FORD	370046A
D106344	GAL	471267	D1HZ1190A	FORD	370001A	D2RY6701A	FORD	3393	D3TA1175CA	FORD	370047A
D10738	GMC	473230	D1HZ1190A	FORD	380001A	D2TA4813A	FORD	471271V	D3TA1175CA	FORD	5649
D107485	GAL	416137	D1HZ1190B	FORD	370057A	D2TA4813A1A	FORD	471271	D3TA1175FA	FORD	5089
D10779	GAL	416339	D1TA1190AA	FORD	6954S	D2TA4813BA	FORD	455322V	D3TA1175GA	FORD	370023A
D10779	GAL	455031	D1TW1177A	FORD	9568	D2TZ1175A	FORD	415960	D3TA1175GA	FORD	380023A
D109853	GAL	471272	D1TZ1190B	FORD	416047	D2TZ4813A	FORD	450519	D3TA1175J1A	FORD	4250
D10W1177A	FORD	9569S	D1TZ1190B	FORD	416332	D2TZ4813A	FORD	471271	D3TA1175JA	FORD	4250
D11076	GAL	470380	D1TZ3254A	FORD	472636	D2TZ4813B	FORD	417484N	D3TA1175K2A	FORD	9864S
D111	MERIX	416921	D1TZ4676B	FORD	410686N	D2TZ4813B	FORD	455322N	D3TA1190AA	FORD	4148
D111	MERIX	455011	D1TZ7B215A	FORD	415483	D2TZ6701A	FORD	228020	D3TA1190AB	FORD	4148
D111	ROCKW	416921	D1TZ7B215A	FORD	455368	D2TZ7B215B	FORD	472635	D3TA1190B1A	FORD	370132A
D111	ROCKW	455011	D1TZ7B215B	FORD	473467	D2TZ7B215C	FORD	470682	D3TA1190B2A	FORD	370132A
D111020	GAL	417547	D1TZ7B215C	FORD	470898	D2UP7052AA	FORD	410059	D3TZ7B215A	FORD	410308
D112926	GAL	415072	D1TZ7B215D	FORD	471341	D2UP7052AA	FORD	470380	D3TZ7B215A	FORD	473468
D113732	GAL	415371	D1UZ4676A	FORD	7044NA	D2UP7052AB	FORD	410059	D3TZ1175A	FORD	4250
D114247	GAL	417555	D1WG7048AA	FORD	2503N	D2UP7052AB	FORD	470380	D3TZ1175B	FORD	416273
D11467	GAL	471255	D1ZW1177A	FORD	9363S	D2UZ7052AA	FORD	410059	D3TZ1190A	FORD	4148
D1150220	SPICE	471795	D200	MINNM	472439	D2UZ7052AA	FORD	470380	D3TZ7048A	FORD	482163N
D1151300	SPICE	472015	D2081	THEW	415991	D2VY3B592A	FORD	7013S	D3TZ7288A	FORD	470954
D1151300	VIC	472015	D2081	THEW	455146	D2X1334	CATER	471271	D3TZ7B215B	FORD	471869
D11519141	SPICE	450494	D22209	GAL	415001	D3049P	CASE	410183N	D40869	GAL	415991
D11519141	SPICE	472164	D22209	GAL	455001	D31132	GAL	417344	D40869	GAL	455146
D1153449	SPICE	410163	D2244	GRAY	470027	D31224	GAL	455006	D41447	CASE	415995
D1153449	SPICE	471766	D2244	GRAY	471554	D31224	GAL	450316	D41447	CASE	455013
D1153449	VIC	473237	D24226	GAL	416654	D31224	GAL	472636	D41543	GAL	450069
D1159141	SPICE	450494	D24226	GAL	455012	D33543	GAL	415007	D41543	GAL	473232
D1159141	SPICE	472164	D2534	THEW	455195	D35824	GAL	471442	D42213	GAL	417316
D121199	GAL	416888	D2534	THEW	472157	D3665	CASE	450456	D42213	GAL	455004
D130214	GAL	417262	D26703	GMC	410059	D3666P	CASE	473215	D42E6700A2A	FORD	2955
D1406	THEW	455195	D26703	GMC	470380	D37024	CASE	415991	D42E6700A3A	FORD	2955
D1406	THEW	472157	D271177B	FORD	1994	D37024	CASE	415991N	D42E6700AA	FORD	2955
D14090	GAL	417269	D27670	GAL	417344	D37Z7052A	FORD	710051	D42E6701AA	FORD	5108
D14134	GAL	417356	D27670	GAL	455006	D37Z7052B	FORD	710051	D42R7052A	FORD	3116N
D14134	GAL	455188	D27Z6700A	FORD	710313	D37Z7A248A	FORD	2025	D42R7052AA	FORD	3116N
D14190	GAL	415938	D27Z1177A	FORD	473823	D3812	THEW	415995	D42R7288AA	FORD	313156
D1443	OLIVE	416339	D27Z1177B	FORD	1994	D3812	THEW	455013	D42W1177A	FORD	3199
D1443	OLIVE	455031	D27Z1190A	FORD	1992	D3813	THEW	470169	D440	ITM	450301
D154	MINNM	415196	D27Z4676A	FORD	712011	D3813	THEW	473214	D440	ITM	472397
D15575	MALL	340120	D27Z6701A	FORD	228020	D397	ITM	473235	D45718	GAL	471744
D15576	MALL	340413	D27Z7052A	FORD	1990	D3AZ7A248A	FORD	6988H	D465	THEW	455462
D18438	GAL	415072	D28802	GAL	411245	D3HA1175BA	FORD	370019A	D46867	GAL	45013S
D1AP7052AA	FORD	2465	D28802	GAL	455096	D3HA1175CA	FORD	370020A	D4721	KOEI	416125
D1AP7052BA	FORD	7692S	D2883	ALLCH	470590	D3HA1175CA	FORD	415351	D47371	CASE	416865
D1AR3B592A3A	FORD	8773S	D2914	ALLCH	412473	D3HA1190A1A	FORD	370001A	D4740	MUSAS	223420
D1AR7052A1A	FORD	410059	D2914	ALLCH	415894	D3HA1190A1A	FORD	380001A	D4855	THEW	415449
D1AR7052A1A	FORD	470380	D29195	CASE	417487	D3HA1190A1A	FORD	6638S	D4855	THEW	455147
D1AR7052AA	FORD	7692S	D29195	CASE	455086	D3HA1190A2A	FORD	6638S	D48672	THEW	415379

INTERCHANGE SECTION

COMPETITIVE INTERCHANGES

Mfr No.	Mfr.	National	Mfr No.	Mfr.	National	Mfr No.	Mfr.	National	Mfr No.	Mfr.	National
D48672	THEW	455379	D5FZ7052A	FORD	2443	D62776	THEW	455079	D75464	GAL	415483
D49214	GAL	200642	D5HZ1S190B	FORD	6638S	D63359	THEW	455144	D76003	GAL	473473
D4AW1177A	FORD	3195	D5HZ1S190E	FORD	370132A	D64053	GAL	417605	D768011	FORSH	710413
D4AW4676B	FORD	7044NA	D5HZ3104A	FORD	614837	D64345	GAL	416327	D77768	GAL	450389
D4AZ1225A	FORD	3195	D5HZ1175A	FORD	370003A	D66074	GAL	471570	D77768	GAL	472492
D4AZ1177A	FORD	3195	D5HZ1175A	FORD	380003A	D66158	GAL	471570	D79884	GAL	471689
D4AZ4676A	FORD	7044NA	D5HZ1190A	FORD	370132A	D67195	GAL	415138	D79998	GAL	450118
D4DT7052B3A	FORD	2655	D5HZ1190B	FORD	370001A	D68122	GAL	415013	D79998	GAL	473449
D4FZ1177A	FORD	3214	D5HZ1190B	FORD	380001A	D68122	GAL	415995	D7AR7A283AA	FORD	3638
D4FZ1177B	FORD	3199	D5HZ1190B	FORD	6638S	D68648	GAL	413246	D7AZ3E502A	FORD	471645
D4FZ6700A	FORD	2955	D5HZ1190C	FORD	370048A	D68648	GAL	413246N	D7HA1175A1A	FORD	370003A
D4FZ6701A	FORD	5108	D5HZ1190C	FORD	370182A	D68649	GAL	472394	D7HA1175A1A	FORD	380003A
D4T27B215B	FORD	473204	D5HZ1190C	FORD	380048A	D69187	GAL	415138	D7HS1190CA	FORD	370132A
D4TZ7B215B	FORD	473204	D5HZ1190D	FORD	370048A	D6AP7052AA	FORD	2194	D7HZ1175A	FORD	370003A
D4TZ4676B	FORD	712625	D5HZ1190D	FORD	370182A	D6AP7052BA	FORD	7692S	D7HZ1175A	FORD	380003A
D4TZ6700A	FORD	413246N	D5HZ1190D	FORD	380048A	D6AZ3D526A	FORD	471645	D7HZ1175D	FORD	370003A
D4TZ6700A	FORD	483246N	D5HZ1190E	FORD	370132A	D6EW4676A1A	FORD	8181NA	D7HZ1175D	FORD	380003A
D4TZ7B215A	FORD	471870	D5HZ7B215A	FORD	474276	D6FZ4676A	FORD	8181NA	D7HZ1175E	FORD	370121A
D4TZ7B215A	FORD	471883	D5HZ8K606A	FORD	471195	D6HZ7A283A	FORD	473010N	D7HZ4676A	FORD	415082
D4TZ7B215C	FORD	472179	D5HZ8K606A	FORD	481195	D6HZ7B215A	FORD	452742	D7HZ4676B	FORD	3591
D4TZ7B215D	FORD	710005	D5MW1177A	FORD	3186	D6NN7N838A	FORD	475003N	D7HZ7B215A	FORD	417316
D4TZB215C	FORD	472179	D5MY1177A	FORD	3186	D6TA1175B2A	FORD	3385	D7HZ7B215A	FORD	455004
D4ZW1177A	FORD	3214	D5NN4115B	FORD	455147	D6TZ1S175AA	FORD	722109	D7RZ6701A	FORD	3393
D4ZZ7052A	FORD	3116N	D5NN6700A	FORD	483246N	D6TZ1175A	FORD	722109	D82559	GAL	416664
D4ZZ7052B	FORD	2655	D5NN7288A	FORD	471231	D6TZ1175B	FORD	722108	D87224	CASE	456967V
D4ZZ7288A	FORD	313156	D5TZ1190D	FORD	370048A	D6TZ1175C	FORD	722108	D8AZ3B592A	FORD	8773S
D4ZZ7A248A	FORD	2658V	D5TZ1190D	FORD	370182A	D6TZ1175CA	FORD	722108	D8BW1177AA	FORD	8660S
D51035	THEW	450335	D5TZ1190D	FORD	380048A	D6TZ1S175CA	FORD	722108	D8BW4676AA	FORD	3604
D51051	GAL	480630	D5TZ4676A	FORD	475234N	D6TZ4676A	FORD	475080N	D8BZ1177A	FORD	8660S
D51051	GAL	480991	D5UA1175AA	FORD	4250	D6TZ4676B	FORD	9316	D8BZ4676A	FORD	3604
D51163	GAL	471424	D5UA1175BA	FORD	9864S	D6TZ4676C	FORD	9316	D8BZ4676AA	FORD	3604
D51517	CASE	410085N	D5UA1190AA	FORD	493637	D6TZ7B215B	FORD	710005	D8HZ4573C	FORD	415164N
D52761	GAL	417352	D5UP7052AA	FORD	410059	D6TZ7B215C	FORD	473457	D8HZ4676A	FORD	3136N
D52761	GAL	418028	D5UP7052AA	FORD	470380	D6UA1175A	FORD	3385	D8NN1190CA	FORD	4162
D5294	COC	204002	D5UZ1175A	FORD	4250	D6UZ1175A	FORD	3385	D8NN6701AA	FORD	3341
D52Z7052A	FORD	2655	D5UZ1175B	FORD	9864S	D6VA1175AA	FORD	3385	D8NN6701BA	FORD	3341
D53767	CASE	412920	D5UZ1190A	FORD	493637	D6ZR7052AA	FORD	7692S	D8RZ1175A	FORD	3395
D53767	JOHND	412920	D5UZ7A011A	FORD	410308	D6ZZ7052A	FORD	7692S	D8TR7A283AA	FORD	471652
D53775	CASE	471766	D5ZZ7052A	FORD	2655	D70775	GAL	450083	D8TR7A283AA	FORD	482208
D53835	CASE	476470	D5ZZ7052C	FORD	2655	D70775	GAL	472924	D8TR7A283AB	FORD	3638
D550	THEW	417316	D600500207	CONTI	6863S	D70776	GAL	417252	D8TZ1175A	FORD	710045
D550	THEW	455004	D600K232	CONTI	5M403	D70792	GAL	470898	D8TZ1S175CA	FORD	710044
D55436	CASE	415263	D600M241	CONTI	470219	D71206	GAL	450494	D8TZ3332A	FORD	710385
D578	NORDG	470163	D600M241	CONTI	471649	D71206	GAL	472164	D8TZ1175B	FORD	415960
D578	NORDG	471766	D600S207	CONTI	6863S	D71207	GAL	413248	D8TZ1175C	FORD	710044
D5AP7052AA	FORD	2194	D600S207	MASSE	6863S	D71402	GAL	415013	D8TZ3254A	FORD	470682
D5AP7052BA	FORD	7300S	D60319	KOEK	416273	D71402	GAL	415995	D8TZ3254B	FORD	2300
D5AW1177A	FORD	8660S	D60319	THEW	416273	D71417	GAL	413248	D8TZ7B215A	FORD	473468
D5AW1177AA	FORD	3195	D61118	GAL	40410S	D7217	WHITE	450431	D8TZ7B215B	FORD	473457
D5AW1177BA	FORD	3186	D61686	GAL	474278	D7217	WHITE	471539	D8TZ7B215C	FORD	473468
D5AW3D526A1A	FORD	471645	D61686	GAL	6859S	D72594	GAL	456967V	D8UZ7A283A	FORD	3638
D5AW3D526A1A	FORD	471645V	D61687	GAL	411394	D72836	GAL	416229	D8UZ7A283B	FORD	3638
D5AZ3D526A	FORD	471645	D61687	GAL	450317	D72837	GAL	450519	D92708	GAL	417361
D5AZ1177A	FORD	8660S	D61688	GAL	471649	D72837	GAL	471271	D93056	GAL	410312N
D5AZ7052A	FORD	7300S	D62105	THEW	455336	D73740	CASE	415991	D95144	CASE	710026
D5AZ7052B	FORD	2194	D62214	THEW	416654	D73740	CASE	415991N	D9668	GAL	412119
D5AZ7B498A	FORD	7929S	D62214	THEW	455012	D74734	GAL	415449	D9668	GAL	450101
D5DT7052A3A	FORD	2655	D62238	THEW	471270	D74745	GAL	417480	D979	MINNM	417191
D5DW1187A	FORD	3794	D6239	MUSAS	712001	D74745	GAL	455860	D979	MINNM	455165
D5DZ1177A	FORD	3794	D62776	KOEK	455079	D75082	KOEK	416167	D9AC3B592AA	FORD	8773S

INTERCHANGE SECTION

COMPETITIVE INTERCHANGES



Mfr No.	Mfr.	National	Mfr No.	Mfr.	National	Mfr No.	Mfr.	National	Mfr No.	Mfr.	National
D9AW4676AA	FORD	3604	DE11323	ALLCH	416332	DGP13594	FAIRB	470712	DRE14RK	MECH	370023A
D9AZ3B592A	FORD	8773S	DE1461	ALLCH	471137	DGP13954	FAIRB	472144	DRE14RK	MECH	380023A
D9AZ4676A	FORD	3604	DE1537	ALLCH	471763	DGP14124	FAIRB	416271	DRE1RK	MECH	370003A
D9AZ467AA	FORD	3604	DE15694	ALLCH	415234	DHT55065	MARMO	415984	DRE1RK	MECH	380003A
D9BW4676A2A	FORD	3618	DE2452	ALLCH	450040	DHT55066	MARMO	417485	DRE24RK	MECH	370036A
D9BW4676AA	FORD	3618	DE2630	ALLCH	450083	DHT55020	MARMO	415371	DRE24RK	MECH	370349A
D9BZ7052A	FORD	2194	DE2630	ALLCH	472924	DHT55021	MARMO	416011	DRE24RK	MECH	380036A
D9BZ1177A	FORD	3214	DE2631	ALLCH	470059	DHT55021	MARMO	417621	DRE2RK	MECH	370030A
D9BZ1177B	FORD	3214	DE2631	ALLCH	470380	DK2781	F-R-H	417516	DRE30RK	MECH	370006A
D9BZ4676A	FORD	3618	DE30186	ALLCH	450067	DM14	LK-BT	455019	DRE3RK	MECH	370005A
D9TZ7052A	FORD	473442	DE30186	ALLCH	473228	DMX4200	ALLCH	340413	DRE4501	MECH	370003A
D9TZ7B215A	FORD	3173	DE31142	ALLCH	470045	DO20	ATP	7751H	DRE4501	MECH	380003A
D9TZ7B215A	FORD	710928	DE31142	ALLCH	476838	DO23	ATP	451147H	DRE4502	MECH	370030A
DA320	EMSCO	415991	DE31846	ALLCH	470059	DO7	ATP	470774	DRE4503	MECH	370005A
DA320	EMSCO	455146	DE31846	ALLCH	470380	DO10071	GMC	450068	DRE4504	MECH	370005A
DA3724	JA-HE	471646	DE31983	ALLCH	417484N	DO10778	GAL	455024	DRE4505	MECH	370005A
DAX10680	GMC	455200N	DE31983	ALLCH	455322	DP1648	ADAMS	415995	DRE4506	MECH	370005A
DAX2769	GMC	470380	DE40655	ALLCH	471570	DP1648	ADAMS	455013	DRE4507	MECH	370005A
DAX6717	GMC	472258	DE4084	ALLCH	471570	DP1648	LETN	415995	DRE4508	MECH	370005A
DB114	EMSCO	450133	DE41209	ALLCH	416011	DP1648	LETN	455013	DRE4509	MECH	370005A
DC2173	LETN	450094	DE41209	ALLCH	417621	DP1648	WABCO	415995	DRE4510	MECH	370023A
DC2173	LETN	473462	DE41925	ALLCH	240385	DP1648	WABCO	455013	DRE4510	MECH	380023A
DC2174	LETN	470163	DE44663	ALLCH	473448	DR11RK	MECH	370003A	DRE4511	MECH	370019A
DC2174	LETN	471766	DE45207	ALLCH	417344	DR11RK	MECH	380003A	DRE4512	MECH	370021A
DC38	EMSCO	417205	DE45207	ALLCH	455006	DR12RK	MECH	370021A	DRE4514	MECH	370023A
DC3959	LETN	416666	DE46231	ALLCH	415938	DR14RK	MECH	370023A	DRE4514	MECH	380023A
DC4823	LETN	450183	DE46686	ALLCH	450639	DR14RK	MECH	380023A	DRE4515	MECH	370023A
DC4823	LETN	472179	DE50319	ALLCH	472394	DR1505	MECH	370030A	DRE4515	MECH	380023A
DC4988	LETN	411245	DE51142	ALLCH	470045	DR1508	MECH	370006A	DRE4516	MECH	370023A
DC4988	LETN	455096	DE51142	ALLCH	476838	DR1509	MECH	370019A	DRE4516	MECH	380023A
DC57	EMSCO	412040	DE51188	ALLCH	450441	DR1511	MECH	370003A	DRE4517	MECH	370023A
DC7147	LETN	450316	DE51188	ALLCH	471341	DR1511	MECH	380003A	DRE4517	MECH	380023A
DC7147	LETN	472636	DE51737	ALLCH	471820	DR1512	MECH	370021A	DRE4518	MECH	370023A
DC7148	LETN	415187	DE5534	ALLCH	470027	DR1513	MECH	370005A	DRE4518	MECH	380023A
DC7149	LETN	450301	DE5534	ALLCH	471554	DR1514	MECH	370005A	DRE4519	MECH	370023A
DC7149	LETN	472397	DE55645	ALLCH	472394	DR1515	MECH	370019A	DRE4519	MECH	380023A
DC8061	LETN	416654	DE55646	ALLCH	450519	DR1516	MECH	370023A	DRE4520	MECH	370023A
DC8061	LETN	455012	DE55646	ALLCH	471271	DR1516	MECH	380023A	DRE4520	MECH	380023A
DC8157	LETN	412725	DE55648	ALLCH	471271	DR1521	MECH	370003A	DRE4521	MECH	370023A
DD126	OLIVE	450441	DE56591	ALLCH	240119	DR1521	MECH	380003A	DRE4521	MECH	380023A
DD126	OLIVE	471341	DE5798	ALLCH	415023	DR1525	MECH	370022A	DRE4524	MECH	370036A
DD16	FUNK	450070	DE60255	ALLCH	450043	DR1525	MECH	380022A	DRE4524	MECH	370349A
DD16	FUNK	472185	DE60255	ALLCH	473419	DR1528	MECH	370006A	DRE4524	MECH	380036A
DD16B16	FUNK	450185	DE60256	ALLCH	470062	DR1531	MECH	370003A	DRE4525	MECH	370022A
DD16B16	FUNK	473229	DE60256	ALLCH	474264	DR1531	MECH	380003A	DRE4525	MECH	380022A
DD2037	LETN	416288	DE62642	ALLCH	455583N	DR1541	MECH	370003A	DRE4530	MECH	370006A
DD3293	LETN	417205	DE64411	ALLCH	450431	DR1541	MECH	380003A	DRE5061	MECH	370003A
DD75269	FABCO	410825	DE64411	ALLCH	471539	DR15RK	MECH	370019A	DRE5061	MECH	380003A
DD80	EMSCO	415302	DE67238	ALLCH	470596	DR16RK	MECH	370023A	DRE5062	MECH	370030A
DD8042	LETN	455020	DE67592	ALLCH	450301	DR16RK	MECH	380023A	DRE5063	MECH	370005A
DDN3539	FORD	223510	DE67592	ALLCH	472397	DR21RK	MECH	370003A	DRE5070	MECH	370023A
DE10030	ALLCH	450593	DE68324	ALLCH	413246	DR21RK	MECH	380003A	DRE5070	MECH	380023A
DE10487	ALLCH	471750	DE68324	ALLCH	413246N	DR261136	SHOV	240435	DRE5071	MECH	370019A
DE10523	ALLCH	471192	DE69324	ALLCH	413246	DR5RK	MECH	370030A	DRE5072	MECH	370021A
DE10986	ALLCH	471466	DE69324	ALLCH	413246N	DR8RK	MECH	370006A	DRE5074	MECH	370023A
DE1106	ALLCH	418028	DE70359	ALLCH	417354	DR9RK	MECH	370019A	DRE5074	MECH	380023A
DE1106	ALLCH	455137	DE70419	ALLCH	471763	DRE10RK	MECH	370023A	DRE5081	MECH	370003A
DE11125	ALLCH	470077	DE7359	ALLCH	417354	DRE10RK	MECH	380023A	DRE5081	MECH	380003A
DE11125	ALLCH	474281	DF1600	LETN	416239	DRE11RK	MECH	370019A	DRE5083	MECH	370030A
DE11323	ALLCH	416047	DF699	LETN	415138	DRE12RK	MECH	370021A	DRE5084	MECH	370036A

INTERCHANGE SECTION

COMPETITIVE INTERCHANGES

Mfr No.	Mfr.	National	Mfr No.	Mfr.	National	Mfr No.	Mfr.	National	Mfr No.	Mfr.	National
DRE5084	MECH	370349A	DX31660	MASSE	472397	E0TZ7B215D	FORD	3946	E1FZ7B498A	FORD	342517
DRE5084	MECH	380036A	DX32980	GMC	240435	E0W1177AA	FORD	9569S	E1FZ7F401A	FORD	4539V
DRE5085	MECH	370022A	DX3472	GMC	455251H	E0ZR7288AA	FORD	313156	E1HT1175AA	FORD	370003A
DRE5085	MECH	380022A	DX35048	GMC	482069N	E0ZZ7A283A	FORD	222820	E1HT1175AA	FORD	380003A
DRE5090	MECH	370006A	DX38472	GMC	415327	E0ZZ7052A	FORD	2443	E1HT1175BA	FORD	370003A
DRE61RK	MECH	370003A	DX38493	GMC	450084	E0ZZ7288A	FORD	313156	E1HT1175BA	FORD	380003A
DRE61RK	MECH	380003A	DX39218	GMC	417365	E1050930	SPICE	415147	E1HZ1175A	FORD	370003A
DRE62RK	MECH	370030A	DX43140	GMC	476470	E1050930	SPICE	415449	E1HZ1175A	FORD	380003A
DRE63RK	MECH	370005A	DX49720	GMC	470954V	E1091	EUCLD	376590A	E1HZ1175B	FORD	370003A
DRE70RK	MECH	370023A	DX5309	GMC	410312N	E11093	AT SU	450365	E1HZ1175B	FORD	380003A
DRE70RK	MECH	380023A	DX75341	MASSE	471267	E11093	AT SU	470898	E1HZ4676A	FORD	100263
DRE71RK	MECH	370019A	DY11683	EATON	471801	E1110	WHITE	410987	E1HZ4676A	FORD	3905
DRE72RK	MECH	370021A	DY11730	EATON	471984	E1110	WHITE	450103	E1SM6700A4A	FORD	3771
DRE74RK	MECH	370023A	DY11731	EATON	471984	E1127699	CHRYL	472012	E1TZ4676A	FORD	5778
DRE74RK	MECH	380023A	E05500	EUCLD	357PKG	E11381	GEM	471442	E1TZ7B215A	FORD	3946
DRE81RK	MECH	370003A	E2420	EATON	614743	E11449	GEM	6703S	E1TZ7B215B	FORD	3173
DRE81RK	MECH	380003A	E2422	EATON	614743	E11923	GEM	480630	E1TZ7B215B	FORD	710928
DRE85RK	MECH	370022A	E2460	EATON	614743	E1269	EUCLD	240736	E20366E	JOHND	240119
DRE85RK	MECH	380022A	E4861	EATON	614837	E13232	IH	473458	E207	MINNM	470163
DRE90RK	MECH	370006A	E540	EATON	614743	E13993	IH	471192	E207	MINNM	471766
DS13	VICK	473447	E572	EATON	614743	E1443	WHITE	471138	E20811	FULLE	415458
DS2004101	DTCOM	710877	E0A1175	FORD	473238	E1471180	ALLCH	415867	E20811	FULLE	455003
DS54381	DTCOM	710863	E0AZ7F337A	FORD	7929S	E1471545	ALLCH	352541	E21330	FULLE	415003
DTA72646	FMC	471571	E0DT7052A3A	FORD	2655	E15419	GEM	450115	E21330	FULLE	415458
DTA72647	FMC	472560N	E0DW1177AA	FORD	9569S	E15419	GEM	473467	E2136	FULLE	415086N
DTA72647	FMC	50151S	E0DZ1177B	FORD	9569S	E1569	WHITE	412871	E2136	FULLE	417487
DTA72648	FMC	450519	E0ET7048AA	FORD	2503N	E1569	WHITE	450329	E215	PORTR	416892
DTA72648	FMC	471271	E0ET7052AA	FORD	2443	E1582	WHITE	470565	E217	PORTR	470163
DTA72649	FMC	416919N	E0HT1190AA	FORD	370001A	E1590	OLIVE	471267	E217	PORTR	471766
DTA72887	FMC	240735	E0HT1190AA	FORD	380001A	E1590	WHITE	471267	E21812	FULLE	415449
DTA84924	FORD	416888	E0HZ4676A	FORD	477163N	E16468E	JOHND	6545	E21812	FULLE	455147
DV1612	DALMO	240435	E0HZ4676B	FORD	477163N	E17609	JOHND	416339	E21830	FULLE	455018
DVL4845	MARMO	340797	E0HZ7052A	FORD	472213	E17609E	JOHND	416339	E21830	FULLE	476470
DW3002085	TROS	8430S	E0NN1190AA	FORD	4162	E18979	JOHND	203006	E227	PORTR	416865
DX028	COC	470163	E0RZ7288A	FORD	313156	E18979E	JOHND	203006	E227	PORTR	455070
DX028	COC	471766	E0TA1175AA	FORD	9864S	E193	GRAY	416921	E23614	FULLE	5857
DX13735	GMC	472319	E0TA1190B1A	FORD	4160	E193	GRAY	455011	E2400300	CHRYL	7300S
DX1668	GMC	450431	E0TW1177A1A	FORD	710067	E19501	GEM	6703S	E25091	EATON	471276
DX1668	GMC	471539	E0TW1177A2A	FORD	473228	E19505	GEM	471689	E2556	FULLE	415146
DX1780	GMC	450030	E0TW1177A2A	FORD	51098	E19799	GEM	240949	E2556	FULLE	415991
DX1780	GMC	474253	E0TW1177BA	FORD	3195	E19869	GEM	240414	E27012	FULLE	450352
DX2202	GMC	417548	E0TW4676A1A	FORD	7044NA	E19897	JOHND	6703S	E27012	FULLE	472164
DX23256	GMC	470351	E0TZ1S177BA	FORD	3195	E19897E	JOHND	6703S	E27W4676A1A	FORD	3604
DX23256	GMC	471504	E0TZ1175A	FORD	9864S	E1AP7052BA	FORD	7300S	E27W4676AA	FORD	3604
DX24039	GMC	450301	E0TZ1177A	FORD	710067	E1AP7052A	FORD	7692S	E28265	FULLE	417196
DX24039	GMC	472397	E0TZ1177B	FORD	3195	E1AP7052AA	FORD	7692S	E29006	IH	470163
DX24040	GMC	450444	E0TZ1177C	FORD	473228	E1AW1177AA	FORD	8660S	E29006	IH	471766
DX24040	GMC	471835	E0TZ1177C	FORD	51098	E1AZ1177A	FORD	8660S	E2DZ7052A	FORD	7692S
DX26099	GMC	471413	E0TZ1190A	FORD	4148	E1AZ1177B	FORD	8660S	E2HS1175AA	FORD	370047A
DX26208	GMC	417484N	E0TZ1190B	FORD	4160	E1EP7F401A2A	FORD	4539V	E2HS1175BA	FORD	370009A
DX26208	GMC	455322	E0TZ1190C	FORD	4148	E1EW1177A1A	FORD	3622	E2HS1175BA	FORD	380009A
DX2815	GMC	417487	E0TZ1190D	FORD	4160	E1EW1177A3A	FORD	3622	E2HS1175CA	FORD	370047A
DX2815	GMC	455014	E0TZ1190E	FORD	4160	E1FZ1S177A	FORD	3622	E2HS1175DA	FORD	370004A
DX28649	GMC	470351	E0TZ3254A	FORD	710043	E1FZ1175A	FORD	473677	E2HS1190AA	FORD	370054A
DX28649	GMC	471504	E0TZ3254B	FORD	2146	E1FZ1177A	FORD	3622	E2HS1190BA	FORD	370048A
DX30028	MASSE	450085	E0TZ4676A	FORD	9316	E1FZ1S175A	FORD	473677	E2HS1190BA	FORD	370182A
DX30028	MASSE	470530	E0TZ4676B	FORD	7044NA	E1FZ6700A	FORD	3771	E2HS1190BA	FORD	380048A
DX30183	MASSE	417343	E0TZ7B215A	FORD	341022	E1FZ6701A	FORD	3772	E2HS1190CA	FORD	370132A
DX30765	MASSE	240733	E0TZ7B215B	FORD	3946	E1FZ6701A	FORD	5287	E2HT1190AA	FORD	370001A
DX31660	MASSE	450301	E0TZ7B215C	FORD	710062	E1FZ6K292A	FORD	3774	E2HT1190AA	FORD	380001A

INTERCHANGE SECTION

COMPETITIVE INTERCHANGES



Mfr No.	Mfr.	National	Mfr No.	Mfr.	National	Mfr No.	Mfr.	National	Mfr No.	Mfr.	National
E2HT1190BA	FORD	370048A	E3HZ7048A	FORD	482041N	E45116	CUMMI	470954	E5TW1177BA	FORD	370047A
E2HT1190BA	FORD	370182A	E3TA1190CA	FORD	4250	E45123	CUMMI	472810	E5TW4676BA	FORD	4278
E2HT1190BA	FORD	380048A	E3TW1177AA	FORD	8835S	E45374	CUMMI	39302	E5TZ1S190A	FORD	6815
E2HZ1177A	FORD	370003A	E3TW1177A1A	FORD	8835S	E456500SS	PACIF	416500	E5TZ3332A	FORD	710304
E2HZ1177A	FORD	380003A	E3TW1177A2A	FORD	8835S	E45Y6700A	FORD	223801	E5TZ1177A	FORD	710067
E2NN6701BA	FORD	3341	E3TZ1225A	FORD	8835S	E45Y6700B	FORD	716484	E5TZ1177B	FORD	370047A
E2TA1190AA	FORD	370001A	E3TZ1S175DA	FORD	722108	E45Y6701A	FORD	229005	E5TZ1190A	FORD	6815
E2TA1190AA	FORD	380001A	E3TZ1S177A	FORD	8835S	E48313	JOHND	204017	E5TZ3254A	FORD	710095
E2TA1190CA	FORD	4148	E3TZ3738A	FORD	221922	E49968	JOHND	3095	E5TZ4676A	FORD	4278
E2TE6701A2A	FORD	713750	E3TZ3B470B	FORD	340835	E4EE6701A2A	FORD	3772	E5TZ4676B	FORD	4278
E2TW4676AA	FORD	7044NA	E3TZ4676B	FORD	4244	E4FZ6701A	FORD	3772	E5TZ4676C	FORD	9316
E2TZ4676A	FORD	7044NA	E3TZ7052B	FORD	710403	E4HN6701AA	FORD	712449	E5TZ6700A	FORD	221610
E2ZE6701A2A	FORD	3909	E3TZ7052C	FORD	2443	E4HT1175AA	FORD	370003A	E5TZ6700B	FORD	224460
E2ZE6701A4A	FORD	3909	E3TZ1175B	FORD	722109	E4HT1175AA	FORD	380003A	E5TZ6700C	FORD	2942
E2ZE6701A4A	FORD	5277	E3TZ1175C	FORD	722109	E4HZ1175B	FORD	370003A	E5TZ6700D	FORD	712007
E2ZE6701AA	FORD	3909	E3TZ1175D	FORD	722108	E4HZ1175B	FORD	380003A	E5TZ6701A	FORD	228005
E2ZZ6701A	FORD	3909	E3TZ1177A	FORD	8835S	E4HZ4478A	FORD	4561V	E5TZ6701C	FORD	2377
E2ZZ7052A	FORD	2655	E3TZ1190A	FORD	8312	E4HZ4573A	FORD	100495	E5TZ6701D	FORD	3893V
E30479	JOHND	415449	E3TZ1190B	FORD	6815	E4HZ4676A	FORD	100263	E5TZ7052A	FORD	223014
E3159	CHRYL	416127	E3TZ1190C	FORD	4148	E4HZ4676A	FORD	3905	E5TZ7052B	FORD	2655
E3160	CHRYL	416127	E3TZ1190D	FORD	4148	E4HZ4676B	FORD	3143N	E5TZ7A248A	FORD	2658V
E31920	JOHND	472185	E3TZ1S190A	FORD	8312	E4HZ7050C	FORD	473814	E5TZ7B215A	FORD	3946
E31925	JOHND	415072	E3TZ3254A	FORD	3543	E4HZ7B215A	FORD	330749V	E5ZZ6701A	FORD	3909
E31926	JOHND	416239	E3TZ3254B	FORD	710065	E4HZ7B215B	FORD	5133	E619	NOVO	450593
E32037M	CHRYL	450025	E3TZ3254C	FORD	470672	E4HZ7B215C	FORD	39930	E620	OLIVE	472299
E32037M	CHRYL	471553	E3TZ3B470A	FORD	340835	E4LY7A248A	FORD	224052	E620	WHITE	472299
E32252015	IH	473227	E3TZ4676A	FORD	3604	E4TE6701AA	FORD	5118	E62795	AT SU	481864
E32252033	IH	416921	E3TZ6700A	FORD	3894V	E4TW4676A1A	FORD	3604	E632008	GMC	416865
E32252033	IH	455011	E3TZ6700B	FORD	8316	E4TZ1S190A	FORD	4250	E6341253	LEROI	415437
E32252038	IH	471869	E3TZ6700C	FORD	473560N	E4TZ7B215A	FORD	4333N	E63568	GMC	416158
E32252038	IH	473459	E3TZ6701A	FORD	3893V	E4TZ1190A	FORD	4250	E63E6700A2A	FORD	714075
E32354E	JOHND	471649	E3TZ6701C	FORD	2377	E4TZ3254A	FORD	710043	E63E6700AA	FORD	714075
E328332	IH	417316	E3TZ7052A	FORD	2443	E4TZ3254B	FORD	710043	E653724	GMC	471652
E36542	JOHND	41461S	E3TZ7A011	FORD	3622	E4TZ3B470A	FORD	722108	E6631253	LEROI	415437
E36910	FULLE	412920	E3TZ7B215A	FORD	710403	E4TZ4676A	FORD	5778	E66943M	CHRYL	471750
E37542	JOHND	41461S	E3TZ7B215B	FORD	710062	E4TZ4676C	FORD	5778	E66944M	CHRYL	416892
E37A3B470AB	FORD	340835	E3TZ7B215C	FORD	4141	E4ZE6701A2A	FORD	3772	E67409M	CHRYL	417563
E37A1190AB	FORD	8312	E3TZ7B215D	FORD	4141	E50607	JOHND	291099	E67410M	CHRYL	417563
E37A1190BA	FORD	6815	E3TZ7B215E	FORD	710403	E53786M	CHRYL	471689	E682661	GMC	415483
E38705	WILYS	450183	E3TZ7B215F	FORD	710062	E54058	JOHND	472535	E693	OLIVE	450298
E38705	WILYS	472179	E3TZ7B215G	FORD	710403	E5DW4676AA	FORD	3604	E693	OLIVE	473239
E38707	WILYS	471801	E3TZ7B215H	FORD	710062	E5DZ4676A	FORD	3604	E6AE6700A2A	FORD	2692
E38714	WILYS	472179	E400B201	CONTI	327303	E5HN6700AA	FORD	712511	E6DC1249AA	FORD	6815
E3EC1N013AA	FORD	710365	E43E6700A2A	FORD	714075	E5HT1175CA	FORD	370023A	E6DW117AA	FORD	8835S
E3ER7288AA	FORD	710274	E43E6700D	FORD	223420	E5HT1175CA	FORD	380023A	E6DW1177AA	FORD	3622
E3FZ3K070A	FORD	710365	E43Z7288A	FORD	710274	E5HT1175GA	FORD	370003A	E6DZ7F337A	FORD	710643
E3FZ7A011A	FORD	3638	E43Z6700A	FORD	714075	E5HT1175GA	FORD	380003A	E6DZ1177A	FORD	3622
E3FZ7F401A	FORD	4539V	E43Z6700A2A	FORD	714075	E5HT1190AA	FORD	370132A	E6DZ1177AM	FORD	3622
E3HZ1190B	FORD	370001A	E43Z6700B	FORD	223012	E5HT1190DA	FORD	370001A	E6DZ1249A	FORD	6815
E3HZ1190B	FORD	380001A	E43Z6700D	FORD	223420	E5HT1190DA	FORD	380001A	E6DZ3591A	FORD	710504
E3HZ1190C	FORD	370048A	E43Z6700E	FORD	714075	E5HZ1190A	FORD	370132A	E6DZ6700A	FORD	2692
E3HZ1190C	FORD	370182A	E43Z6700F	FORD	223012	E5HZ4573A	FORD	100494	E6DZ7F401A	FORD	4189H
E3HZ1190C	FORD	380048A	E43Z6700G	FORD	223235	E5HZ4573A	FORD	416470N	E6EE6700A2A	FORD	3771
E3HZ1S190C	FORD	370182A	E43Z6701A	FORD	229005	E5HZ4676A	FORD	417986N	E6EE6K292A2A	FORD	3774
E3HZ4573A	FORD	415164N	E44082	CUMMI	473224	E5HZ4676B	FORD	415082N	E6FZ7F401A	FORD	4539V
E3HZ4573C	FORD	415164N	E44473	CUMMI	340385	E5NN6701BA	FORD	712449	E6HS1175AA	FORD	370003A
E3HZ4674A	FORD	712937	E44583	CUMMI	470059	E5RY1177A	FORD	224250	E6HS1175AA	FORD	380003A
E3HZ4676A	FORD	9773	E44583	CUMMI	470380	E5RY4676A	FORD	2011	E6HS1175BA	FORD	370023A
E3HZ4676B	FORD	475012N	E45	NOVO	470059	E5TE6700A2A	FORD	2942	E6HS1175BA	FORD	380023A
E3HZ4676C	FORD	475003N	E45	NOVO	470380	E5TW1177AA	FORD	710067	E6HT1175AA	FORD	370023A

INTERCHANGE SECTION

COMPETITIVE INTERCHANGES

Mfr No.	Mfr.	National	Mfr No.	Mfr.	National	Mfr No.	Mfr.	National	Mfr No.	Mfr.	National
E6HT1175AA	FORD	380023A	E759286	LUF	417567	E87W4676AA	FORD	4278	E9020320	LUF	455151
E6HZ1S175E	FORD	370023A	E7AZ6701A	FORD	2377	E87W4676BA	FORD	3604	E9020330	LUF	417316
E6HZ1S175E	FORD	380023A	E7EE6701A1A	FORD	3772	E8BZ1177B	FORD	2007N	E9020345	LUF	416654
E6HZ1175C	FORD	370023A	E7FZ6700A	FORD	3771	E8BZ1177A	FORD	1126	E9020345	LUF	455012
E6HZ1175C	FORD	380023A	E7FZ6701A	FORD	3772	E8BZ1S177A	FORD	1126	E9020350	LUF	475012N
E6HZ1175E	FORD	370023A	E7FZ6K292A	FORD	3774	E8BZ1S177B	FORD	2007N	E9020360	LUF	417349
E6HZ1175E	FORD	380023A	E7GT1177D	FORD	2007N	E8BZ7A011A	FORD	222238	E9020365	LUF	417349
E6HZ1190A	FORD	370132A	E7GZ1177A	FORD	4990	E8DE6701AA	FORD	3772	E9020369	LUF	415995
E6HZ1190D	FORD	370001A	E7GZ1177B	FORD	710323	E8DE6701AP	FORD	3772	E9020369	LUF	455013
E6HZ1190D	FORD	380001A	E7GZ1177C	FORD	710311	E8DZ6701A	FORD	3772	E9020370	LUF	415836
E6HZ4676A	FORD	712011	E7GZ1177D	FORD	2007N	E8GY1177A	FORD	1973	E9020370	LUF	415995
E6HZ4676B	FORD	4564V	E7GZ1177E	FORD	2007N	E8HZ7B215A	FORD	39920	E9020390	LUF	455022
E6HZ4676D	FORD	455088V	E7GZ1S177A	FORD	4990	E8TA1175AA	FORD	370018A	E9020400	LUF	415304
E6HZ6701A	FORD	712449	E7GZ1S177B	FORD	710323	E8TW1177BA	FORD	370047A	E9020400	LUF	476470
E6HZ6701B	FORD	712449	E7GZ6700A	FORD	223012	E8TW4676AA	FORD	4278	E9020405	LUF	415025
E6HZ7048A	FORD	710211	E7GZ6701A	FORD	228250	E8TZ4676B	FORD	4278	E9020410	LUF	455026
E6SP7F337AA	FORD	710643	E7GZ7288A	FORD	221620	E8TZ7052B	FORD	223012	E9020415	LUF	415991
E6SP7F401A	FORD	4189H	E7GZ7A011A	FORD	222430	E8TZ1175A	FORD	370018A	E9020415	LUF	415991N
E6SP1177AA	FORD	3622	E7HT1190AA	FORD	370001A	E8TZ1177B	FORD	370047A	E9020420	LUF	415991
E6SP7F401AA	FORD	4189H	E7HT1190AA	FORD	380001A	E8TZ4676C	FORD	3604	E9020420	LUF	455146
E6TA1190AA	FORD	4148	E7HZ1S175A	FORD	370047A	E8TZ7050E	FORD	223535	E9020425	LUF	415437
E6TZ1S190A	FORD	4148	E7HZ1S190A	FORD	370001A	E8TZ7052A	FORD	1990	E9020440	LUF	417501
E6TZ1190A	FORD	4148	E7HZ1S190A	FORD	380001A	E8TZ7052C	FORD	7692S	E9020445	LUF	415379
E6TZ6700A	FORD	473560N	E7HZ1175A	FORD	370047A	E8TZ7052D	FORD	1981	E9020450	LUF	415379
E6TZ6701A	FORD	5118	E7HZ1190A	FORD	370001A	E8TZ7052F	FORD	223608	E9020455	LUF	415379
E6TZ7B216A	FORD	330385	E7HZ1190A	FORD	380001A	E8TZ7B215A	FORD	4503N	E9020465	LUF	415034
E6ZE6700A2A	FORD	2955	E7HZ4676A	FORD	417987N	E8ZZ6700A	FORD	2955	E9020465	LUF	455034
E6ZE6700AA	FORD	2955	E7HZ6700A	FORD	712511	E9020080	LUF	471567	E9020470	LUF	415034
E6ZE6701A2A	FORD	3909	E7HZ7052A	FORD	415004V	E9020090	LUF	351267	E9020470	LUF	455034
E6ZE6701A2A	FORD	5277	E7HZ7918A	FORD	713750	E9020090	LUF	471267	E9020480	LUF	415035
E70	BRAD	471652	E7RY1175A	FORD	710463	E9020097	LUF	471646	E9020480	LUF	455035
E7059144	LUF	417549	E7TA1190CA	FORD	710091	E9020100	LUF	470590	E9020485	LUF	415035
E7059160	LUF	55469	E7TA1190BA	FORD	4160	E9020120	LUF	471689	E9020485	LUF	475845
E7066676	LUF	450301	E7TZ1S190B	FORD	4160	E9020130	LUF	470712	E9020490	LUF	415035
E7066676	LUF	472397	E7TZ7052A	FORD	4503N	E9020180	LUF	470548	E9020490	LUF	415953
E7066677	LUF	455018	E7TZ7228A	FORD	330385	E9020180	LUF	470625	E9020491	LUF	415036
E7066677	LUF	476470	E7TZ1177A	FORD	2146	E9020198	LUF	473232	E9020495	LUF	415041
E7075330	LUF	473225	E7TZ1190A	FORD	710091	E9020210	LUF	473236	E9020505	LUF	455194
E7075331	LUF	411376	E7TZ1190B	FORD	4160	E9020220	LUF	472185	E9020510	LUF	416556
E7075332	LUF	473239	E7TZ1S190A	FORD	710091	E9020225	LUF	472185	E9020510	LUF	472157
E7075593	LUF	410520	E7TZ7052B	FORD	710329	E9020227	LUF	473238	E9020515	LUF	415196
E7075593	LUF	471272	E7TZ7052C	FORD	1217	E9020230	LUF	450094	E9020520	LUF	415196
E7075689	LUF	415645	E7TZ7052D	FORD	1209	E9020230	LUF	473462	E9020532	LUF	417525
E7075689	LUF	455104	E7TZ7B215A	FORD	710402	E9020240	LUF	471833	E9020540	LUF	416888
E7075690	LUF	474274	E7TZ7B215B	FORD	714503	E9020250	LUF	471833	E9020540	LUF	455200
E7075786	LUF	415725	E7UZ4676A	FORD	719316	E9020255	LUF	410312N	E9020545	LUF	416154
E7075788	LUF	415867	E7ZZ6701A	FORD	3909	E9020260	LUF	473245	E9020550	LUF	416154
E7075792	LUF	417603	E80420	WILYS	450365	E9020270	LUF	410520	E9020570	LUF	415351
E7075813	LUF	417343	E80420	WILYS	470898	E9020270	LUF	471272	E9020580	LUF	417273
E7076823	LUF	415563	E804820	WILYS	450365	E9020279	LUF	413247	E9020590	LUF	417273
E7076823	LUF	417433	E804820	WILYS	470898	E9020279	LUF	450350	E9020600	LUF	416865
E7077966	LUF	471466	E810751	WILYS	240733	E9020280	LUF	413247	E9020610	LUF	416865
E7089921	LUF	386590A	E83Z4676A	FORD	472258V	E9020280	LUF	450350	E9020622	LUF	417542
E71	BRAD	471267	E83Z6700A	FORD	714075	E9020285	LUF	417073	E9020645	LUF	55357
E711456	GMC	416951	E844	NOVO	470062	E9020290	LUF	417073	E9020660	LUF	416107
E71175M	CHRY	471571	E844	NOVO	474264	E9020300	LUF	415449	E9020685	LUF	416666
E728	NOVO	471763	E845	NOVO	470059	E9020300	LUF	455147	E9020690	LUF	455297
E729	NOVO	471689	E845	NOVO	470380	E9020305	LUF	455655	E9020720	LUF	415072
E755	NOVO	471255	E865	NORDG	450326	E9020310	LUF	415458	E9020750	LUF	417563
E756	NOVO	471570	E86884	CHRY	40140S	E9020310	LUF	455003	E9020816	LUF	416364

INTERCHANGE SECTION

COMPETITIVE INTERCHANGES



Mfr No.	Mfr. National	Mfr No.	Mfr. National	Mfr No.	Mfr. National	Mfr No.	Mfr. National
E9020820	LUF 416364	EAA6700B4	FORD 350936	EP46842	VIC 370036A	EX10926	JAC 471571
E9020822	LUF 416239	EAA6700BMR	FORD 350936	EP46842	VIC 370349A	EX1099211	JOHND 470045
E9020828	LUF 416044	EA18183A	FORD 472810	EP46842	VIC 380036A	EX1099211	JOHND 476838
E9020850	LUF 415867	EA6700A	FORD 350936	EP46847	VIC 370037A	EX11241	KINGN 474276
E9020860	LUF 415551	EA6700B	FORD 350936	EP46847	VIC 370338A	EX11242	JAC 340787
E9020900	LUF 417601	EA6700F	FORD 350936	EP46849	VIC 370027A	EX11469	JAC 450030
E9020905	LUF 417601	EBK2155	AVCO 417509	EP47794	VIC 370006A	EX11469	JAC 474253
E9020910	LUF 55301S	EBK2161	AVCO 470088	EP64236	VIC 370025A	EX11508	JAC 350954
E9020960	LUF 415128	EC236	LAZOR 494122	EP64236	VIC 380025A	EX11508	JAC 470954
E9020965	LUF 415482	EC263	LAZOR 474134	EP64236	VIC 386025A	EX115650	AU-LI 471765
E906292	AMC 472560N	EC265	LAZOR 224570	EP644101	VIC 370003A	EX11579	JAC 340787
E906292	AMC 50151S	ECA13C69	GR-DV J1124	EP644101	VIC 380003A	EX11615	JAC 470120
E906292	WILYS 472560N	ED288	LAZOR 2002	EP644102	VIC 370003A	EX11615	JAC 471224
E906292	WILYS 50151S	EDRE5063	MECH 370005A	EP644102	VIC 380003A	EX11616	JAC 471567
E920110	LUF 471647	EDX6004	ALLCH 450593	EP644103	VIC 370003A	EX11633	JAC 350954
E920400	LUF 415304	EE352	MINNM 455195	EP644103	VIC 380003A	EX11633	JAC 470954
E920400	LUF 476470	EE352	MINNM 472157	EP64414	VIC 370001A	EX119120	AU-LI 330385
E924175	WILYS 471558	EE352A	MINNM 455195	EP64414	VIC 380001A	EX12177	JAC 471267
E92Z1177A	FORD 1932	EE352A	MINNM 472157	EP644141	VIC 370001A	EX12614	MASSE 472439
E92Z1177B	FORD 224235	EE35716	OSHKO 472185	EP644141	VIC 380001A	EX12620	MASSE 415013
E92Z1S177AA	FORD 1932	EE35775	OSHKO 417484N	EPS2787	AVCO 40230S	EX12620	MASSE 415995
E92Z7F401A	FORD 710446	EE35775	OSHKO 475322N	EPS2788	AVCO 40494S	EX12905	JAC 471736
E92Z1S177B	FORD 224235	EE35781	OSHKO 415304	EQ20900	LUF 417601	EX13070	JAC 472560N
E92Z3C084A	FORD 710223	EE35781	OSHKO 476470	ER90135	EATON 471570	EX13070	JAC 50151S
E92Z6700A	FORD 223420	EE35783	OSHKO 411253	ER90302	EATON 471442	EX13294	JAC 471750
E92Z6701A	FORD 229005	EE363	MINNM 473463	ER90360	EATON 471442	EX15453	BENDI 471466
E92Z7A011A	FORD 1990	EH266	LAZOR 473367	ER90676	EATON 471564	EX21384	JAC 470163
E942	NOVO 450183	EH294	LAZOR 1943	ER90839	EATON 471646	EX21384	JAC 471766
E942	NOVO 472179	EH295	LAZOR 494117	ER90850	EATON 6835S	EX273U	NORDG 473227
E951036	WILYS 472354	EH14184	GEM 240733	ER91562	EATON 471466	EX27797	ALLCH 480210
E951036	WILYS 50395S	EH41594	CUMMI 471647	ER91563	EATON 471570	EX30827	C-P 340817
E95841M	CHRYL 471705	EHX6011	ALLCH 473448	ER92999	EATON 470954	EX313	OLIVE 471192
E97127M	CHRYL 450339	EHX6012	ALLCH 450352	ER92999	EATON 6835S	EX3764	ALLCH 415001
E973	NOVO 450043	EHX6012	ALLCH 472164	ER9531	EATON 471442	EX3764	ALLCH 455001
E973	NOVO 473419	EJN7610041	AM BO 471652	ERJA245	CONTI 240698	EX392	OLIVE 205035
E99Z4676A	FORD 5778V	EJN76120195	AM BO 472560N	ERJA252	CONTI 350974	EX4031	KEN 415304
E9DZ6K292A	FORD 710220	EJN76120195	AM BO 50151S	ERR2532	ROVER 3772	EX4031	KEN 476470
E9DZ6700A	FORD 1213N	EJN80295	AM BO 6863S	ERR5992	ROVER 225010	EX43607	JAC 471737
E9DZ6700B	FORD 710220	EJN9012218	AM BO 240009	ES10081	MCCOR 9845	EX475	LAU 471267
E9SW4B416AB	FORD 714569	EL121	LAZOR 473179	ES315121	MCCOR 9845	EX476	LAU 350414
E9SZ4B416A	FORD 714569	EL0900421	MERIX 415483	ES361731	MCCOR 472082	EX476	LAU 472311
E9TP7052AA	FORD 7300S	EL0900421	MERIX 455368	ES394991	MCCOR 332062	EX51288ND	MASSE 472287
E9TP7A248A	FORD 3404	EL0900421	ROCKW 415483	ES1164	AVCO 412871	EX52416	MASSE 416404
E9TP7A248AA	FORD 3404	EL0900421	ROCKW 455368	ES1164	AVCO 450329	EX52717ND	MASSE 450068
E9TZ7052A	FORD 7412S	EL0900626	CONDC 472164	ES145	LAZOR 222745	EX52862ND	MASSE 473225
E9TZ7A248A	FORD 3404	EM105	LAZOR 1984	ES160	LAZOR 225005	EX53364ND	MASSE 417484N
E9TZ4676A	FORD 4525V	EM130	LAZOR 1990	ES289	LAZOR 1012N	EX53364ND	MASSE 455322
E9TZ7A248B	FORD 3404	EM153	LAZOR 224020	ES290	LAZOR 223255	EX54262ND	MASSE 411253
EA223638	GMC 240733	ENH40859	CUMMI 340385	ES3575	AVCO 450352	EX54262ND	MASSE 450099
EA223694	GMC 343185	EO2	ATP 470460	ES3575	AVCO 472164	EX5734	MINNM 481864
EA223910	GMC 451143	EO3	ATP 1167	ESTW4676BA	FORD 4278	EX5809	MINNM 473215
EA223917	GMC 240731	EO3	ATP 710306	ET304	LAZOR 227045	EX5810	MINNM 450095
EAA5281203	AM BO 340413	EO30	ATP 710343	ETC3589	AVCO 240151	EX5810	MINNM 473464
EAA602259	AM BO 340817	EO5	ATP 223840	ETC3590	AVCO 6597S	EX5868	JAC 471281
EAA602275	AM BO 240414	EO6	ATP 6712NA	EU9Z1S175A	FORD 370023A	EX6054	JAC 471570
EAA6700A	FORD 350936	EOTW1177BA	FORD 3195	EV4430	CLARK 470351	EX6293	JAC 471103
EAA6700B	FORD 350936	EOTZ1S177BA	FORD 3195	EV4430	CLARK 471504	EX6293	JAC 50197S
EAA6700B1	FORD 350936	EOTZ7B215A	FORD 341022	EVH42960	CUMMI 41264S	EX6405	MINNM 471765
EAA6700B2	FORD 350936	EP46841	VIC 376590A	EX10770	JAC 470219	EX6429	MINNM 417316
EAA6700B2	NOVI 350936	EP468411	VIC 370026A	EX10770	JAC 471649	EX6429	MINNM 455004

INTERCHANGE SECTION

COMPETITIVE INTERCHANGES

Mfr No.	Mfr.	National	Mfr No.	Mfr.	National	Mfr No.	Mfr.	National	Mfr No.	Mfr.	National
EX6502	BORGW	417351	F00327238C	MAZDA	710396	F23P7H260AA	FORD	3622	F37Z6701A	FORD	3772
EX6502	BORGW	455154	F00427238	MAZDA	710396	F241543	AVCO	204020	F39104	FORD	450025
EX666	LAU	450431	F0283317	IH	471785	F241543	AVCO	204505	F39104	FORD	471553
EX666	LAU	471539	F09Z7B215A	FORD	710388	F256	BUC-E	415047	F39Z3254A	FORD	5872S
EX7029	MINNM	455195	F09Z7B215B	FORD	710389	F263A	PORTR	415023	F3AE6700AA	FORD	482041N
EX7029	MINNM	472157	F09Z7B215C	FORD	710441	F264H	SABO	710712	F3AE6700AC	FORD	482041N
EX7428	MINNM	415281N	F09Z3254A	FORD	5872S	F282	MINNM	473441	F3AE6701BA	FORD	3909
EX7478	MINNM	410312N	F09Z3254C	FORD	5872S	F28510602	MAZDA	223420	F3AE6701AA	FORD	3909
EX7587	MINNM	416011	F0HS1190AA	FORD	370001A	F28511399	MAZDA	229005	F3AZ6700A	FORD	482041N
EX7587	MINNM	417621	F0HS1190AA	FORD	380001A	F2940	FAIRM	5727	F3AZ6701B	FORD	3909
EX8078	MINNM	415302	F0HZ1190AA	FORD	370001A	F2BZ6700A	FORD	223012	F3BZ6700A	FORD	223012
EX8089	MINNM	473460	F0HZ1190AA	FORD	380001A	F2DE6701AC	FORD	3772	F3DP7F401BA	FORD	4189H
EX8360	MINNM	472299	F0HZ7048A	FORD	472636	F2DE6701AB	FORD	3772	F3HT1175AA	FORD	370023A
EX8653	MINNM	450194	F0HZ7052A	FORD	415953	F2DZ7F401A	FORD	4189H	F3HT1175AA	FORD	380023A
EX8653	MINNM	473010	F0HZ7052B	FORD	714713	F2DZ7F401AVMR	FORD	4189H	F3HZ4676A	FORD	100263
EX8660	MINNM	471801	F0JY1S177A	FORD	2007N	F2HS3276AA	FORD	614837	F3HZ6700A	FORD	39803
EX8664	MINNM	471192	F0JY1177A	FORD	2007N	F2HT1175AA	FORD	370023A	F3HZ6700B	FORD	39804
EX9074	MINNM	471570	F0MV14164	FMC	416624	F2HT1175AA	FORD	380023A	F3HZ6701A	FORD	39805
EX9120	MINNM	471472	F0MV14165	FMC	415991	F2HZ1S175A	FORD	370047A	F3LP7052AA	FORD	4764
EX9131	MINNM	473205	F0MV14165	FMC	455146	F2HZ1S175B	FORD	370023A	F3LY7052A	FORD	4764
EX933	CLARK	471730	F0TW1177AA	FORD	370047A	F2HZ1S175B	FORD	380023A	F3M5589	CATER	415035
EXE5153	MASSE	471267	F0TZ1177A	FORD	370047A	F2HZ1S175C	FORD	370003A	F3M8228	CATER	416476
EXE5524	MASSE	350954	F0TZ4676A	FORD	470331N	F2HZ1S175C	FORD	380003A	F3R31177A	FORD	3622
EXE5524	MASSE	470954	F0ZC1190AA	FORD	9150S	F2HZ1175A	FORD	370047A	F3RP1177A	FORD	3622
EXE5525	MASSE	340413	F0ZZ1S190A	FORD	9150S	F2HZ1175B	FORD	370023A	F3RP7F401AA	FORD	4635V
EXV10292	CASE	455194	F0ZZ1190A	FORD	9150S	F2HZ1175B	FORD	380023A	F3RP1177AA1	FORD	3622
EXV11176	CASE	472810	F11902	CASE	6241S	F2HZ1175C	FORD	370003A	F3RP7H260AA	FORD	3622
EXV13426	CASE	415035	F12546	FAIRM	473215	F2HZ1175C	FORD	380003A	F3RZ7F401A	FORD	4635V
EXV13426	CASE	455035	F12607	CASE	471649	F2R2677	CATER	472185	F3RZ7F401AVMR	FORD	4635V
EXV18251	CASE	470163	F12Z6700A	FORD	223420	F2T26701A	FORD	3893V	F3RZ1177A	FORD	3622
EXV18251	CASE	471766	F12Z6701A	FORD	229005	F2TA1175AA	FORD	6584S	F3SE6700AA	FORD	712692
EXV4417	CASE	473463	F1636	EATON	8635S	F2TZ1175B	FORD	710413	F3TW1177CA	FORD	370047A
EXV5226	CASE	455134	F18133	CASE	450362	F2TZ1175C	FORD	710414	F3TZ1175A	FORD	710455
EXV5784	CASE	471689	F18571	EATON	370048A	F2TZ1S175CA	FORD	710414	F3TZ1175B	FORD	710453
EXV5899	CASE	470605	F18571	EATON	370182A	F2TZ1S175C	FORD	710414	F3TZ1175BA	FORD	710453
EXV7985	CASE	472560N	F18571	EATON	380048A	F2TZ1175A	FORD	370018A	F3TZ1175BB	FORD	710453
EXV7985	CASE	50151S	F18572	EATON	370048A	F2TZ1S175A	FORD	6584S	F3TZ1S175A	FORD	710455
EZ0153A0	NOK	224660	F18572	EATON	370182A	F2TZ6701A	FORD	3893V	F3TZ1S175AA	FORD	710455
EZ0293B0	NOK	710861	F18572	EATON	380048A	F2VP7A248AA	FORD	3404	F3TZ1S175BBA	FORD	710453
EZ0293B	NOK	710861	F19661	CASE	450069	F2VY7A248A	FORD	3404	F3TZ7B215A	FORD	710403
EZ0302E	NOK	376590A	F19661	CASE	473232	F30715	FORD	330385	F3UP7052A	FORD	4764
EZ2199C0	NOK	710302	F1AE6701CA	FORD	3909	F3110	BORGW	411376	F3UP7052AA	FORD	4765
EZ2199C	NOK	710302	F1AZ6700A	FORD	482041N	F3110	BORGW	455093	F3UZ7052A	FORD	4765
EZ2894A0	NOK	710293	F1AZ6701A	FORD	3909	F3111	BORGW	470625	F3XA6701BA	FORD	228411
EZ2894A	NOK	710293	F1CZ6701A	FORD	228250	F312R	JOHND	417181	F3XA6700A	FORD	223340
EZ2959A0	NOK	710302	F1CZ6701B	FORD	228250	F320	BUC-E	415995	F3XA6700AA	FORD	224052
EZ2959B0	NOK	710302	F1HZ1175A	FORD	370023A	F320	BUC-E	455013	F3XA7A248AA	FORD	224450
EZ2959A	NOK	710302	F1HZ1175A	FORD	380023A	F3232	RELEE	471276	F3XY6701B	FORD	228411
EZ2959B	NOK	710302	F1HZ1175C	FORD	370019A	F3245	RELEE	470682	F3XY7A248A	FORD	224450
F1529	EATON	614743	F1HZ1175D	FORD	370021A	F32Z1S177A	FORD	1932	F3XY1177A	FORD	710118
F1530	EATON	614743	F1JY6700A	FORD	710355	F32Z6700D	FORD	2012V	F3XY1177B	FORD	710124
F30808	FORSH	710413	F1SE6701AA	FORD	3909	F32Z6701B	FORD	229004	F3XY6700A	FORD	224052
F940	EATON	614743	F1S26701A	FORD	3909	F32Z1177A	FORD	1932	F3XY6701A	FORD	228410
F941	EATON	614743	F1TE6701A2A	FORD	2377	F32Z6700A	FORD	2012V	F3XY6K292A	FORD	223420
F00127238	MAZDA	710396	F1TE6701A1A	FORD	2377	F32Z6700B	FORD	223420	F3XZ6700BA	FORD	223420
F00127238A	MAZDA	710396	F1TZ6701A	FORD	2377	F32Z6700C	FORD	223420	F40054	DOMGA	7486S
F00316103	MAZDA	2007N	F223	ALLCH	352541	F32Z6701A	FORD	1019	F4008	MUSAS	1196
F00327238	MAZDA	710396	F22582	CASE	450352	F369	BORGW	417191	F4009	MUSAS	224210
F00327238A	MAZDA	710396	F22582	CASE	472164	F369	BORGW	455165	F400S205	CONTI	240385
F00327238B	MAZDA	710396	F22670	CASE	417492	F37383	CASE	487945	F40117131	MAZDA	221620

INTERCHANGE SECTION

COMPETITIVE INTERCHANGES



Mfr No.	Mfr.	National	Mfr No.	Mfr.	National	Mfr No.	Mfr.	National	Mfr No.	Mfr.	National
F40117131A	MAZDA	221620	F4213	MUSAS	223608	F5610	FAIRM	417485	F65028	FUNK	416404
F4010	MUSAS	225010	F4221	MUSAS	710747	F57Z3254AA	FORD	710428	F65030	FUNK	470380
F4011	MUSAS	471847N	F4228	MUSAS	223014	F57Z3254BA	FORD	710429	F65034	FUNK	411253
F4012	MUSAS	494122	F4229	MUSAS	223010	F57Z4L616AA	FORD	714675	F65035	FUNK	450117
F40120	DOMGA	413246N	F4241	MUSAS	710894	F5940	CASE	413247	F65035	FUNK	472572
F40120	DOMGA	483246N	F4247	MUSAS	710146	F5940	CASE	450350	F65037	FUNK	471869
F4013	MUSAS	224255	F4253	MUSAS	710598	F5AZ6700A	FORD	482041N	F65037	FUNK	473459
F4014	MUSAS	710317	F4263	MUSAS	224200	F5RZ1177AA	FORD	710808	F65046	FUNK	412861
F4028	MUSAS	710763	F43E6701AA	FORD	3909	F5RZ1S177A	FORD	710808	F65051	FUNK	450352
F40838	CASE	450298	F43E6K292AB	FORD	471651	F5RZ1S177AA	FORD	710808	F65051	FUNK	472164
F40838	CASE	473239	F4857	FAIRM	415995	F5RZ6K292A	FORD	710550	F65053	FUNK	471870
F4091	MUSAS	225010	F4857	FAIRM	455013	F5RZ6K292B	FORD	471651	F65053	FUNK	471883
F4092	MUSAS	224510	F4AZ6700A	FORD	482041N	F5RZ6K292B5A	FORD	710550	F65054	FUNK	6936S
F4094	MUSAS	229522	F4AZ6701A	FORD	3772	F5RZ7048AA	FORD	222742	F65054	FUNK	9845
F4096	MUSAS	223014	F4BA6700B	FORD	710355	F5RZ7288A	FORD	221620	F65060	FUNK	410520
F4097	MUSAS	223608	F4BZ1177B	FORD	2007N	F5RZ6700A	FORD	3771	F65060	FUNK	471272
F4099	MUSAS	224100	F4BZ1177B	FORD	710323	F5RZ6701A	FORD	3772	F65062	FUNK	450519
F4103	MUSAS	224570	F4BZ1177C	FORD	710323	F5TZ1175A	FORD	710430	F65062	FUNK	471271
F4104	MUSAS	224460	F4BZ1177D	FORD	4990	F5TZ1S190AA	FORD	710430	F65063	FUNK	417262
F4105	MUSAS	227235	F4BZ1177E	FORD	2007N	F5TZ6701A	FORD	3393	F65063	FUNK	455448
F4109	MUSAS	710401	F4BZ7288A	FORD	221620	F5TZ7E182A	FORD	710690	F65064	FUNK	471271
F4114	MUSAS	228005	F4BZ7A011A	FORD	222238	F5TZ1190A	FORD	710430	F65066	FUNK	415563
F4118	MUSAS	224840	F4BZ1177A	FORD	1126	F5TZ1190AA	FORD	710430	F65066	FUNK	417433
F4120	MUSAS	710396	F4BZ6700A	FORD	223012	F5TZ4676A	FORD	4525V	F65071	FUNK	473179
F4122	MUSAS	3771	F4BZ6700B	FORD	710355	F600B223	CONTI	416738	F65080	FUNK	412943
F4123	MUSAS	221710	F4BZ6701A	FORD	228250	F600B223	CONTI	450096	F65087	FUNK	470950
F4124	MUSAS	222820	F4HS1175BA	FORD	370003A	F600B246	CONTI	416738	F65087	FUNK	6241S
F4129	MUSAS	223230	F4HS1175BA	FORD	380003A	F600B246	CONTI	450096	F65095	FUNK	473010
F4132	MUSAS	710678	F4SZ6700A	FORD	712692	F60185	CASE	450456	F65101	FUNK	412119
F4134	MUSAS	710083	F4TZ1177C	FORD	370047A	F6024	CASE	470088	F65101	FUNK	450101
F4136	MUSAS	224255	F4TZ1177B	FORD	370047A	F60829	CASE	470358	F65102	FUNK	416294
F4143	MUSAS	712001	F4TZ1S177B	FORD	370047A	F60829	CASE	473231	F65104	FUNK	416294
F4146	MUSAS	225875	F4TZ1S177BA	FORD	370047A	F60830	CASE	55563	F65105	FUNK	415991
F4147	MUSAS	225010	F4TZ6700A	FORD	3894V	F6303	MUSAS	222860	F65105	FUNK	455146
F4154	MUSAS	710423	F4TZ6700A	FORD	5066	F6319	MUSAS	710794	F65106	FUNK	417211
F4157	MUSAS	228005	F4TZ6701B	FORD	2377	F64120	FUNK	415009	F65116	FUNK	473227
F4158	MUSAS	225082	F4TZ6701A	FORD	5723	F64120	FUNK	415960	F65117	FUNK	410519
F4159	MUSAS	225230	F4TZ6701AA	FORD	5723	F6442	CASE	450523	F65117	FUNK	471271
F4160	MUSAS	710338	F4TZ7B215A	FORD	714503	F65001	FUNK	340724	F65118	FUNK	471984
F4162	MUSAS	712007	F4TZ1S177C	FORD	370047A	F65002	FUNK	470712	F65119	FUNK	471466
F4163	MUSAS	224570	F4TZ6701C	FORD	5118	F65003	FUNK	471192	F65120	FUNK	415009
F4171	MUSAS	225020	F4TZ7B215B	FORD	4503N	F65004	FUNK	450067	F65120	FUNK	415960
F4172	MUSAS	225450	F4XA6701AA	FORD	228411	F65004	FUNK	473228	F65121	FUNK	415449
F4177	MUSAS	712007	F4XY6701A	FORD	228410	F65006	FUNK	450183	F65123	FUNK	415937
F4178	MUSAS	8430S	F4ZZ7052A	FORD	710426	F65006	FUNK	472179	F65136	FUNK	415294
F4179	MUSAS	4898	F5109	FAIRM	415036	F65007	FUNK	410308	F65137	FUNK	415483
F4182	MUSAS	710437	F51370	MARMO	416865	F65007	FUNK	450308	F65151	FUNK	450313
F4184	MUSAS	223750	F5145	FAIRM	412119	F65008	FUNK	410312N	F65154	FUNK	415013
F4185	MUSAS	710056	F5145	FAIRM	450101	F65010	FUNK	411376	F65154	FUNK	415995
F4186	MUSAS	710182	F5151	FAIRM	473225	F65010	FUNK	455093	F65157	FUNK	450389
F4187	MUSAS	710183	F5228	FAIRM	470045	F65011	FUNK	413247	F65157	FUNK	472492
F4191	MUSAS	320583	F5228	FAIRM	476838	F65011	FUNK	450350	F65158	FUNK	450313
F4203	MUSAS	710199	F5249	RELEE	471138	F65013	FUNK	415449	F65159	FUNK	415371
F4204	MUSAS	222025	F5254	RELEE	471570	F65013	FUNK	455147	F65181	FUNK	470898
F4205	MUSAS	222025	F53634	CASE	471766	F65015	FUNK	415836	F65184	FUNK	415449
F4206	MUSAS	710767	F53639	CASE	470380	F65015	FUNK	415995	F65193	FUNK	473212
F4207	MUSAS	710767	F5421	FAIRM	450104	F65022	FUNK	471554	F65194	FUNK	472164
F4208	MUSAS	710259	F5422	FAIRM	415458	F65024	FUNK	472409	F65195	FUNK	415725
F4210	MUSAS	710056	F5422	FAIRM	455003	F65025	FUNK	416706	F65196	FUNK	415294
F4212	MUSAS	1992	F5609	FAIRM	417073	F65025	FUNK	455272	F65198	FUNK	471442

INTERCHANGE SECTION

COMPETITIVE INTERCHANGES

Mfr No.	Mfr.	National	Mfr No.	Mfr.	National	Mfr No.	Mfr.	National	Mfr No.	Mfr.	National
F65199	FUNK	416664	F75W1177BA	FORD	100357	F81Z1175CA	FORD	710413	FAE5RK	MECH	380001A
F65200	CHALL	471272	F75Z1177BA	FORD	100357	F81Z1175EA	FORD	370024A	FAE8RK	MECH	370007A
F65200	FUNK	471272	F75Z1S177BA	FORD	100357	F81Z1175HA	FORD	710413	FAE9RK	MECH	370012A
F65205	FUNK	472394	F7617	FAIRM	450069	F81Z1S175EA	FORD	370024A	FB12571	CASE	455019
F65207	FUNK	415379	F7617	FAIRM	473232	F85B110	BORGW	473235	FB13736	CASE	472439
F65207	FUNK	455379	F77Z7052AA	FORD	2655	F87A1N049AA	FORD	710519	FD1084	FABCO	450361
F65208	FUNK	455019	F77Z7A248AA	FORD	710535	F87Z1190AA	FORD	710519	FD1084	FABCO	472193
F65209	FUNK	472164	F77Z7B215AA	FORD	710664	F87Z1S190AA	FORD	710519	FD1405	FABCO	470334
F65214	FUNK	473244	F77Z6701BA	FORD	3393	F8987	FAIRM	473445	FD1779	GUY	450183
F65215	FUNK	415937	F7819	FAIRM	415988	F89W4676AB	FORD	3604	FD1779	GUY	472179
F65216	FUNK	415389	F7AP7052AA	FORD	4764	F89W4676AC	FORD	3604	FD182	NAPD	471344
F65217	FUNK	450078	F7AZ7052A	FORD	4764	F89W4676AA	FORD	3604	FD192	NAPD	6936S
F65217	FUNK	473444	F7CZ7052AA	FORD	1990	F89Z4676AA	FORD	3604	FD236	FABCO	473461
F65218	FUNK	415234	F7DE7052A	FORD	4764	F8CZ6K292AA	FORD	710899	FD256	FABCO	415027
F65227	FUNK	471466	F7DZ7052A	FORD	4764	F8UZ4676AA	FORD	719316	FD31	FABCO	450111
F65228	FUNK	470351	F7TZ1S175AA	FORD	415960	F9052	FAIRM	470077	FD323	FABCO	410520
F65229	FUNK	471272	F7TZ1175AA	FORD	415960	F9052	FAIRM	474281	FD323	FABCO	471272
F65235	FUNK	470625	F7UZ1175A	FORD	9864S	F9743	CASE	471192	FD370	FABCO	5965
F65240	FUNK	455019	F7UZ1177A	FORD	710067	F9744	CASE	417344	FD372	FABCO	5965
F65246	FUNK	476470	F7UZ1S175A	FORD	9864S	F9802	CASE	415035	FD3792	CASE	204017
F65708	CASE	415379	F7UZ1S177A	FORD	710067	FA10RK	MECH	370012A	FD391	FABCO	450298
F65708	CASE	455379	F7Z4L616AA	FORD	714675	FA11	LK-BT	55028	FD391	FABCO	473239
F65P7052AA	FORD	4765	F7ZZ6701BA	FORD	3393	FA12RK	MECH	370007A	FD87	FABCO	450070
F65W1N013AA	FORD	710828	F80110602	MAZDA	223420	FA14RK	MECH	370001A	FD87	FABCO	472185
F65W3N134AA	FORD	3604	F80111399	MAZDA	229010	FA14RK	MECH	380001A	FD88	FABCO	473442
F65Z1190AA	FORD	710828	F80211399	MAZDA	229010	FA1801	MECH	370001A	FDU2737	ROVER	224026
F65Z1S190AA	FORD	710828	F8085	CASE	340823	FA1801	MECH	380001A	FE0110602	MAZDA	223420
F65Z3C084AA	FORD	710754	F81A1175AA	FORD	710454	FA1810	MECH	370012A	FE0210602	MAZDA	223420
F65Z3N134AA	FORD	3604	F81A1175GA	FORD	9864S	FA1812	MECH	370007A	FE5H11399	MAZDA	229005
F6647	FAIRM	472439	F81A3254AA	FORD	710492	FA1813	MECH	370007A	FE5H11399A	MAZDA	229005
F673	FAIRM	450076	F81A3254CA	FORD	710493	FA1814	MECH	370001A	FEG110602	MAZDA	223420
F673	FAIRM	470334	F81A4676AA	FORD	4525V	FA1814	MECH	380001A	FF1118	FULLE	472394
F6731	FAIRM	450076	F81A4676CA	FORD	710482	FA1RK	MECH	370001A	FG0001	BORGW	473424
F6731	FAIRM	470334	F81A7052DA	FORD	224205	FA1RK	MECH	380001A	FG0002	BORGW	411394
F67W1177AA	FORD	8660S	F81A7B215AA	FORD	710652	FA2RK	MECH	370001A	FG0003	BORGW	330663
F67Z1177AA	FORD	8660S	F81A7B215BA	FORD	710653	FA2RK	MECH	380001A	FG0003	BORGW	472354
F67Z1177AC	FORD	8660S	F81A1175EA	FORD	370024A	FA5433065	MAZDA	1213N	FG0005	BORGW	450040
F67Z1S177ACA	FORD	8660S	F81A1175HA	FORD	710413	FA6534	PORTR	411245	FG0006	BORGW	473225
F6DZ6700AA	FORD	710444	F81P7052AA	FORD	100086	FA6534	PORTR	455096	FG0007	BORGW	450069
F6HS1190AA	FORD	370001A	F81P7052AB	FORD	100086	FAA12476A	FORD	240470	FG0007	BORGW	473232
F6HS1190AA	FORD	380001A	F81W1177CA	FORD	370247A	FAA12476B	FORD	240470	FG0008	BORGW	450070
F6TJ6701AA	FORD	5723	F81Z1175AA	FORD	710454	FAE3RK	MECH	370001A	FG0008	BORGW	472185
F6TP7052AA	FORD	4981V	F81Z1175GA	FORD	9864S	FAE3RK	MECH	380001A	FG0009	BORGW	450082
F6TZ7052A	FORD	4981V	F81Z1175HC	FORD	710413	FAE4RK	MECH	370001A	FG0009	BORGW	473238
F6TZ7052AA	FORD	4981V	F81Z1177CA	FORD	370247A	FAE4RK	MECH	380001A	FG0010	BORGW	471442
F6UZ7052AA	FORD	4765	F81Z1S175AA	FORD	710454	FAE5003	MECH	370001A	FG0011	BORGW	473226
F6UZ7052AMR	FORD	4765	F81Z1S175HCA	FORD	710413	FAE5003	MECH	380001A	FG0012	BORGW	471763
F6UZ7052A	FORD	4765	F81Z1S177CA	FORD	370247A	FAE5004	MECH	370001A	FG0013	BORGW	470163
F6XA6700AA	FORD	224052	F81Z3254AA	FORD	710492	FAE5004	MECH	380001A	FG0013	BORGW	471766
F6XZ6700AA	FORD	224052	F81Z3254CA	FORD	710493	FAE5005	MECH	370001A	FG0014	BORGW	471801
F6XZ6701BA	FORD	228410	F81Z3254CB	FORD	710493	FAE5005	MECH	380001A	FG0015	BORGW	471571
F6ZR7052BA	FORD	710426	F81Z4676CA	FORD	710482	FAE5006	MECH	370048A	FG0016	BORGW	473236
F6ZZ1S177ACA	FORD	8660S	F81Z4A322AA	FORD	155PKG	FAE5006	MECH	370182A	FG0017	BORGW	472012
F6ZZ7052A	FORD	710431	F81Z7052DA	FORD	710719	FAE5006	MECH	380048A	FG0018	BORGW	472015
F6ZZ7052B	FORD	710431	F81Z7052EA	FORD	710718	FAE5007	MECH	370001A	FG0019	BORGW	450342
F7023	CASE	240414	F81Z7052EB	FORD	710718	FAE5007	MECH	380001A	FG0020	BORGW	471730
F7150	CASE	5976S	F81Z7052FA	FORD	710717	FAE5008	MECH	370007A	FG0021	BORGW	471224
F7213	CASE	450984	F81Z7052AA	FORD	100086	FAE5009	MECH	370012A	FG0022	BORGW	481397
F724	MINNM	470712	F81Z7B215AA	FORD	710652	FAE5020	MECH	370066A	FG0023	BORGW	471466
F7312	CASE	450984	F81Z7B215BA	FORD	710653	FAE5RK	MECH	370001A	FG0025	BORGW	481792

INTERCHANGE SECTION

COMPETITIVE INTERCHANGES



Mfr No.	Mfr. National	Mfr No.	Mfr. National	Mfr No.	Mfr. National	Mfr No.	Mfr. National
FG0026	BORGW 471652	FG0613	BORGW 471551	FO11	ATP 710671	FS60279U	NORDG 470358
FG0026	BORGW 482208	FG0614	BORGW 471653	FO12	ATP 710484	FS60279U	NORDG 473231
FG0027	BORGW 471526	FG0615	BORGW 471646	FO122	ATP 2655	FS9687	EL-WH 6590S
FG0028	BORGW 471529	FG0616	BORGW 471684	FO124	ATP 2658V	FSK18537	IH 412119
FG0029	BORGW 471255	FG0616	BORGW 471698	FO15	ATP 7929S	FSK21639	IH 473474
FG0030	BORGW 471553	FG0616	MO-CH 471684	FO17	ATP 2655	FT0119233	MAZDA 494122
FG0031	BORGW 481443	FG0616	MO-CH 471698	FO18	ATP 4765	FT2105	MINNM 415035
FG0032	BORGW 451583	FG0617	BORGW 473203	FO191	ATP 3404	FT2105	MINNM 455035
FG0033	BORGW 471646	FG0617	MO-CH 473203	FO199	ATP 4981V	FT2213	MINNM 450316
FG0034	BORGW 471649	FG0618	BORGW 471413	FO21	ATP 710699	FT2213	MINNM 472636
FG0035	BORGW 471651	FG0619	BORGW 473243	FO212	ATP 710535	FT2230	MINNM 450121
FG0036	BORGW 470590	FG0621	BORGW 415004	FO213	ATP 2655	FT2230	MINNM 472409
FG0037	BORGW 415458	FG0621	BORGW 417316	FO22	ATP 710700	FT2402	MINNM 472287
FG0037	BORGW 455003	FG0622	BORGW 415034	FO23	ATP 710590	FT2412	MINNM 470219
FG0038	BORGW 416921	FG0623	BORGW 416865	FO260	ATP 710396	FT2412	MINNM 471649
FG0038	BORGW 455011	FG0624	BORGW 415082	FO30	ATP 3622	FT3332	MINNM 450121
FG0039	BORGW 415086N	FG0624	MO-CH 415082	FO33	ATP 710801	FT3332	MINNM 472409
FG0039	BORGW 417487	FG0625	BORGW 416239	FO34	ATP 710780	FT3339	MINNM 415302
FG0041	BORGW 415085	FG0626	BORGW 415302	FO37	ATP 710672	FT606	MINNM 473463
FG0042	BORGW 411245	FG0627	BORGW 415137	FO4	ATP 710485	FT650	MINNM 55028
FG0043	BORGW 415991	FG0627	BORGW 418028	FO7	ATP 710537	FT650	WHITE 55028
FG0043	BORGW 415991N	FG0628	BORGW 415147	FO8	ATP 710673	FTC2783	ROVER 710756
FG0044	BORGW 415449	FG0628	BORGW 415449	FO9	ATP 710486	FTC2979	ROVER 714503
FG0044	BORGW 455147	FG0629	BORGW 417343	FO103	ATP 412473	FTC3145	ROVER 710757
FG0045	BORGW 416556	FG0630	BORGW 455186	FO123	ATP 2658V	FTC4785	ROVER 710756
FG0045	BORGW 472157	FG0631	BORGW 415234	FO182	ATP 7937N	FTC4939	ROVER 710748
FG0049	BORGW 470380	FG0632	BORGW 100495	FO185	ATP 470687	FTC4939G	ROVER 710748
FG0050	BORGW 473228	FG0632	BORGW 415281N	FO2	ATP 6988H	FTC5268	ROVER 710757
FG0051	BORGW 450083	FG0633	BORGW 415294	FO29	ATP 410308	FU0119241	MAZDA 710446
FG0051	BORGW 472924	FG0634	BORGW 417159	FO5	ATP 7038SA	FU0119241A	MAZDA 710446
FG0052	BORGW 472572	FG0635	BORGW 416267	FOMV14164	FMC 416624	FU0327238	MAZDA 2007N
FG0053	BORGW 471192	FG0636	BORGW 416071	FOMV14165	FMC 415991	FW5127238	MAZDA 3622
FG0054	BORGW 470625	FG0638	BORGW 417361	FOMV14165	FMC 455146	FW593112	SPERY 471271
FG0056	BORGW 473229	FG0639	BORGW 416313	FOS4452	PAI 455294	FW9027238	MAZDA 481191V
FG0057	BORGW 473010	FG0904	BORGW 415836	FOTZ4676A	FORD 470331N	FX09	COC 472144
FG0058	BORGW 450291	FG0904	BORGW 415995	FOZZ1190A	FORD 9150S	FX0119241A	MAZDA 710442
FG0058	BORGW 471141	FG1201	BORGW J1103	FOZZ1S190A	FORD 9150S	FXS30	COC 455079
FG0059	BORGW 450316	FG0611	MO-CH 471730	FP5P4251	FPDSL 456919V	FXS39	COC 473448
FG0059	BORGW 472636	FG0616	MO-CH 471684	FP0119437	MAZDA 710442	FZ038310	NOK 710330
FG0060	BORGW 412040	FG0616	MO-CH 471698	FP0127238	MAZDA 710598	FZ03831	NOK 710330
FG0062	BORGW 415836	FG0630	BORGW 455186	FRC2365	ROVER 224250	G0253359	IH 415003
FG0062	BORGW 415995	FG0635	MO-CH 416267	FRC5492	ROVER 710748	G0253359	IH 415458
FG0063	BORGW 476470	FH3022207	EL-MO J1111	FRC7043	ROVER 710748	G00125742A	MAZDA 710223
FG0064	BORGW 416345	FH3022208	EL-MO J1121	FRC7043G	ROVER 710748	G00325742	MAZDA 710223
FG0067	BORGW 470088	FH3022209	EL-MO J1109	FRC8221	ROVER 710756	G00325742A	MAZDA 710223
FG0068	BORGW 471271	FH3022302	EL-MO 471267	FRC8222	ROVER 710755	G00505126	FWD 415984
FG0159	BORGW 456055	FH3022307	EL-MO 471272	FS0110602	MAZDA 2012V	G00505135	FWD 450076
FG0161	BORGW 417363	FH3022313	EL-MO 416404	FS0111399	MAZDA 229004	G00505135	FWD 470334
FG0601	BORGW 473367	FH757153	CASE 470163	FS0210602	MAZDA 2012V	G01222524	MAZDA 710253
FG0602	BORGW 473228	FH757153	CASE 471766	FS0510602	MAZDA 223420	G03026154	MAZDA 1126
FG0603	BORGW 473232	FHO44594	CASE 450361	FS0510602A	MAZDA 223420	G03026154A	MAZDA 1126
FG0604	BORGW 472185	FHO44594	CASE 472193	FS0610602	MAZDA 2012V	G0S672	PAARS 2822V
FG0605	BORGW 473464	FJO5301	MASSE 417082	FS2753	EL-WH 205004	G10005	CASE 412473
FG0606	BORGW 471192	FM3	FMC 416892	FS42159U	NORDG 470219	G10005	CASE 415894
FG0607	BORGW 471763	FM302	GILSN 200354	FS42159U	NORDG 471649	G10346	CASE 416706
FG0608	BORGW 471765	FM508	BORGW 471192	FS50601U	NORDG 471192	G10421	CASE 473425
FG0609	BORGW 472179	FM508	IG-RA 471192	FS50711	NORDG 470712	G10422	CASE 470064
FG0610	BORGW 472015	FM522	BORGW 473225	FS50711U	NORDG 470712	G10422	CASE 471821
FG0611	BORGW 471730	FN1119241	MAZDA 710539	FS60278U	NORDG 472354	G105118	CASE 470954
FG0612	BORGW 481792	FO10	ATP 710487	FS60278U	NORDG 50395S	G10561	CASE 415991

INTERCHANGE SECTION

COMPETITIVE INTERCHANGES

INTERCHANGE SECTION

Mfr No.	Mfr.	National	Mfr No.	Mfr.	National	Mfr No.	Mfr.	National	Mfr No.	Mfr.	National
G10561	CASE	455146	GB350	EMSCO	415124	GR2001	MASSE	472636	GS1038	MIDAS	7607
G10651	CASE	415991	GB45587	FORD	470120	GR2232	BORGW	472164	GS1042	GUARA	291295
G10651	CASE	455146	GB45587	FORD	471224	GR232	BORGW	450115	GS1042	MIDAS	291295
G10689	CASE	450441	GB8	GOODM	311189	GR232	BORGW	473467	GS1044	GUARA	5699
G10689	CASE	471341	GC500	EMSCO	416865	GR835	BORGW	415991	GS1044	MIDAS	5699
G13112	CASE	472810	GE1142	ALLCH	470163	GR835	BORGW	455146	GS1046	GUARA	9150S
G13800	CASE	6590S	GE1142	ALLCH	471766	GR8351	BORGW	415991	GS1046	MIDAS	9150S
G13801	CASE	471138	GE1143	ALLCH	471735	GR8351	BORGW	455146	GS1047	GUARA	2043
G13802	CASE	471192	GEL3344	WHITE	417267	GR891	BORGW	415991	GS1047	MIDAS	2043
G13803	CASE	473215	GG33532152	JOHND	472394	GR891	BORGW	455146	GS1051	GUARA	4148
G13805	CASE	471267	GG33521109	JOHND	473225	GR911	BORGW	470548	GS1051	MIDAS	4148
G13807	CASE	471267	GG33530797	JOHND	473215	GR911	BORGW	470625	GS1052	GUARA	5113
G13810	CASE	415962	GG33531190	JOHND	471138	GS1000	GUARA	7022S	GS1052	MIDAS	5113
G13811	CASE	415035	GG33532185	JOHND	472015	GS1000	MIDAS	7022S	GS1054	GUARA	8139
G13811	CASE	455035	GGAHH103	SPICE	712000	GS1001	GUARA	41257	GS1054	MIDAS	8139
G13813	CASE	450519	GGAHH106	DANA	714512	GS1001	MIDAS	41257	GS1056	GUARA	6954S
G13813	CASE	471271	GGAHH106	SPICE	714512	GS1002	GUARA	7934S	GS1056	MIDAS	6954S
G13814	CASE	472658	GGAHH109	DANA	455088V	GS1002	MIDAS	7934S	GS1061	GUARA	8974S
G13814	CASE	473197	GHS112	ROVER	224052	GS1003	GUARA	8705S	GS1061	MIDAS	8974S
G13815	CASE	340771	GHS140	MG	473234	GS1003	MIDAS	8705S	GS1063	GUARA	493291
G13816	CASE	472826	GHS153	JAGUA	473454	GS1004	GUARA	4148	GS1063	MIDAS	493291
G13817	CASE	450285	GHS201	JAGUA	473454	GS1004	GUARA	471424	GS1066	GUARA	493637
G13818	CASE	470120	GJ2126154	MAZDA	224235	GS1004	GUARA	9406S	GS1066	MIDAS	493637
G13818	CASE	471224	GJ2133065	MAZDA	1932	GS1005	GUARA	331301N	GS1068	GUARA	5109
G13819	CASE	353120	GK2250	MASSE	470027	GS1005	GUARA	9015S	GS1068	MIDAS	5109
G13821	CASE	471827	GK2250	MASSE	471554	GS1006	GUARA	8121S	GS1070	GUARA	442380
G13822	CASE	415962	GK3113	MASSE	472234	GS1006	MIDAS	8121S	GS1070	GUARA	471271
G13824	CASE	415035	GL1113	MASSE	410308	GS1007	GUARA	6815	GS1071	GUARA	4250
G13824	CASE	415953	GL1113	MASSE	450308	GS1007	MIDAS	6815	GS1071	MIDAS	4250
G13825	CASE	412473	GL1172	MASSE	450083	GS1008	GUARA	8871	GS1073	GUARA	416273
G13825	CASE	415894	GL1172	MASSE	472924	GS1008	MIDAS	8871	GS1074	GUARA	5123
G13827	CASE	470954	GM28	LK-BT	472029	GS1009	GUARA	5121	GS1074	MIDAS	5123
G157B208	CONTI	412473	GMR46	ALLCH	415041	GS1009	MIDAS	5121	GS1076	GUARA	413248
G157B208	CONTI	415894	GMR64	ALLCH	411253	GS1010	GUARA	3087	GS1076	MIDAS	413248
G157S202	CONTI	471442	GMR64	ALLCH	450099	GS1010	MIDAS	3087	GS1078	GUARA	415960
G1710	HU-WR	416921	GOO65930	FWD	417344	GS1011	GUARA	6840S	GS1078	MIDAS	415960
G1710	HU-WR	455011	GOO65930	FWD	455006	GS1011	MIDAS	6840S	GS1080	GUARA	411348
G20147	DOMGA	332062	GOS633	PAARS	455018	GS1012	GUARA	224045	GS1080	MIDAS	411348
G20189	DOMGA	3945	GOS633	PAARS	476470	GS1015	GUARA	1209	GS1088	GUARA	1949
G273	PORTR	416892	GP1177	FORD	40566S	GS1015	MIDAS	1209	GS1088	MIDAS	1949
G274	PORTR	415025	GP3031	FORD	40140S	GS1016	GUARA	1217	GS1089	GUARA	1992
G297	TW-CO	471733	GP3034	FORD	40576S	GS1018	GUARA	224015	GS1089	MIDAS	1992
G30433065	MAZDA	1932	GP7770A	FORD	450185	GS1018	MIDAS	224015	GS1091	GUARA	1209
G30433065A	MAZDA	1932	GP7770A	FORD	473229	GS1019	GUARA	225020	GS1095	GUARA	1012N
G40HB122	BRADF	471633	GP7798	FORD	471466	GS1019	MIDAS	225020	GS1095	MIDAS	1012N
G527	HU-WR	415995	GPA1177	FORD	450444	GS1021	GUARA	1950	GS1101	GUARA	1174
G527	HU-WR	455013	GPA1177	FORD	471835	GS1021	GUARA	224820	GS1101	MIDAS	1174
G529	HU-WR	415001	GPA7262	FORD	411394	GS1023	GUARA	1183	GS1107	GUARA	1973
G529	HU-WR	455001	GPA7262	FORD	450317	GS1023	MIDAS	1183	GS1107	MIDAS	1973
G56025742	MAZDA	710223	GPW3591	FORD	353132	GS1025	GUARA	1188	GS1109	GUARA	227040
G60111399	MAZDA	229010	GR148	BORGW	415995	GS1025	MIDAS	1188	GS1109	MIDAS	227040
G6665E	JOHND	340136	GR148	BORGW	455013	GS1026	GUARA	1174	GS1112	GUARA	224820
G71726154	MAZDA	710191	GR1481S	BORGW	415995	GS1026	GUARA	1188	GS1112	MIDAS	224820
G923	HU-WR	455018	GR1481S	BORGW	455013	GS1029	GUARA	6840S	GS1114	GUARA	1213N
G923	HU-WR	476470	GR1482	BORGW	415995	GS1029	MIDAS	6840S	GS1114	MIDAS	1213N
GA2A33065	MAZDA	1932	GR1482	BORGW	455013	GS1033	GUARA	3357	GS1115	GUARA	482126
GAF6924B	DURA	471984	GR150	BORGW	416288	GS1033	MIDAS	3357	GS1115	MIDAS	482126
GAU4381	FORD	455005	GR1501	BORGW	416288	GS1034	GUARA	7994S	GS1118	GUARA	1174
GB11512	HWY	450389	GR1502	BORGW	416288	GS1034	MIDAS	7994S	GS1118	MIDAS	1174
GB11512	HWY	472492	GR2001	MASSE	450316	GS1038	GUARA	7607	GS1121	GUARA	1012N

COMPETITIVE INTERCHANGES



Mfr No.	Mfr.	National	Mfr No.	Mfr.	National	Mfr No.	Mfr.	National	Mfr No.	Mfr.	National
GS1121	MIDAS	1012N	GS1211	GUARA	473450	GS1261	MIDAS	51322	GS1294	MIDAS	455013
GS1123	GUARA	1174	GS1211	MIDAS	473450	GS1262	GUARA	9569S	GS1295	GUARA	8695S
GS1123	MIDAS	1174	GS1213	GUARA	1949	GS1262	MIDAS	9569S	GS1295	MIDAS	8695S
GS1125	GUARA	473230	GS1213	MIDAS	1949	GS1263	GUARA	42763	GS1296	GUARA	470064
GS1125	MIDAS	473230	GS1214	GUARA	472475	GS1263	MIDAS	42763	GS1296	GUARA	471821
GS1132	GUARA	1196	GS1214	GUARA	6064	GS1264	GUARA	9568	GS1296	MIDAS	470064
GS1132	MIDAS	1196	GS1215	GUARA	203034	GS1264	MIDAS	9568	GS1296	MIDAS	471821
GS1133	GUARA	471737	GS1215	MIDAS	203034	GS1265	GUARA	7687S	GS1297	GUARA	450143
GS1133	MIDAS	471737	GS1218	GUARA	470712	GS1265	MIDAS	7687S	GS1297	MIDAS	450143
GS1134	GUARA	483793	GS1218	MIDAS	470712	GS1268	GUARA	450444	GS1298	GUARA	224015
GS1134	MIDAS	483793	GS1220	GUARA	1012N	GS1268	GUARA	471835	GS1298	MIDAS	224015
GS1138	GUARA	1209	GS1220	GUARA	1960	GS1268	MIDAS	450444	GS1301	GUARA	8835S
GS1145	GUARA	2002	GS1221	GUARA	471785	GS1268	MIDAS	471835	GS1301	MIDAS	8835S
GS1145	MIDAS	2002	GS1221	MIDAS	471785	GS1269	GUARA	450776	GS1302	GUARA	40286
GS1147	GUARA	1986	GS1222	GUARA	451182	GS1269	MIDAS	450776	GS1302	MIDAS	40286
GS1147	MIDAS	1986	GS1222	MIDAS	451182	GS1270	GUARA	450365	GS1306	GUARA	224270
GS1159	GUARA	224045	GS1226	GUARA	8139	GS1270	GUARA	470898	GS1306	MIDAS	224270
GS1159	MIDAS	224045	GS1226	MIDAS	8139	GS1270	MIDAS	450365	GS1307	GUARA	473234
GS1161	GUARA	442874	GS1229	GUARA	5756	GS1270	MIDAS	470898	GS1307	MIDAS	473234
GS1161	MIDAS	442874	GS1229	MIDAS	5756	GS1272	GUARA	1974	GS1310	GUARA	9178S
GS1168	GUARA	203006	GS1230	GUARA	40566S	GS1272	MIDAS	1974	GS1310	MIDAS	9178S
GS1168	MIDAS	203006	GS1230	MIDAS	40566S	GS1273	GUARA	9344S	GS1315	GUARA	1012N
GS1170	GUARA	7780N	GS1231	GUARA	8430S	GS1273	MIDAS	9344S	GS1315	MIDAS	1012N
GS1170	MIDAS	7780N	GS1231	MIDAS	8430S	GS1274	GUARA	8676S	GS1318	GUARA	472747
GS1171	GUARA	8243	GS1233	GUARA	473473	GS1274	GUARA	9912	GS1318	MIDAS	472747
GS1171	MIDAS	8243	GS1233	MIDAS	473473	GS1275	GUARA	3214	GS1319	GUARA	5458
GS1173	GUARA	480630	GS1234	GUARA	40316S	GS1275	MIDAS	3214	GS1319	MIDAS	5458
GS1173	MIDAS	480630	GS1234	MIDAS	40316S	GS1276	GUARA	8660S	GS1320	GUARA	340823
GS1174	GUARA	370023A	GS1236	GUARA	442874	GS1276	MIDAS	8660S	GS1320	MIDAS	340823
GS1174	MIDAS	370023A	GS1236	MIDAS	442874	GS1277	GUARA	415447	GS1321	GUARA	6712NA
GS1178	GUARA	1992	GS1238	GUARA	474278	GS1277	MIDAS	415447	GS1321	MIDAS	6712NA
GS1178	MIDAS	1992	GS1238	GUARA	6859S	GS1281	GUARA	3395	GS1322	GUARA	3604
GS1181	GUARA	5756	GS1239	GUARA	3199	GS1281	MIDAS	3395	GS1322	GUARA	414045
GS1181	MIDAS	5756	GS1239	MIDAS	3199	GS1283	GUARA	471862	GS1323	GUARA	2689S
GS1182	GUARA	475009N	GS1240	GUARA	410496	GS1283	MIDAS	471862	GS1323	MIDAS	2689S
GS1182	MIDAS	475009N	GS1240	MIDAS	410496	GS1286	GUARA	8597S	GS1324	GUARA	9912
GS1183	GUARA	3210	GS1241	GUARA	416273	GS1286	MIDAS	8597S	GS1324	MIDAS	9912
GS1183	MIDAS	3210	GS1242	GUARA	41787S	GS1287	GUARA	9363S	GS1325	GUARA	3195
GS1187	GUARA	370046A	GS1242	MIDAS	41787S	GS1287	MIDAS	9363S	GS1325	MIDAS	3195
GS1187	MIDAS	370046A	GS1246	GUARA	1012N	GS1288	GUARA	470059	GS1327	GUARA	9049N
GS1190	GUARA	471224	GS1246	MIDAS	1012N	GS1288	GUARA	470380	GS1327	MIDAS	9049N
GS1190	MIDAS	471224	GS1249	GUARA	8293S	GS1288	MIDAS	470059	GS1328	GUARA	8704S
GS1194	GUARA	340151	GS1249	MIDAS	8293S	GS1288	MIDAS	470380	GS1328	MIDAS	8704S
GS1194	MIDAS	340151	GS1250	GUARA	416865	GS1289	GUARA	7886S	GS1330	GUARA	472144
GS1198	GUARA	204017	GS1250	MIDAS	416865	GS1289	MIDAS	7886S	GS1330	MIDAS	472144
GS1198	MIDAS	204017	GS1253	GUARA	484054	GS1290	GUARA	473228	GS1332	GUARA	5113
GS1201	GUARA	440265	GS1253	GUARA	6370N	GS1290	GUARA	51098	GS1332	MIDAS	5113
GS1201	MIDAS	440265	GS1255	GUARA	484058	GS1290	MIDAS	473228	GS1333	GUARA	472492
GS1202	GUARA	40494S	GS1255	MIDAS	484058	GS1290	MIDAS	51098	GS1333	MIDAS	472492
GS1202	GUARA	7834	GS1256	GUARA	9161	GS1291	GUARA	470487N	GS1341	GUARA	6090S
GS1203	GUARA	451147H	GS1256	MIDAS	9161	GS1291	MIDAS	470487N	GS1341	MIDAS	6090S
GS1203	GUARA	472164	GS1257	GUARA	473812	GS1292	GUARA	470059	GS1346	GUARA	412119
GS1204	GUARA	5827	GS1257	MIDAS	473812	GS1292	GUARA	470380	GS1346	GUARA	472856
GS1204	MIDAS	5827	GS1258	GUARA	8594S	GS1292	MIDAS	470059	GS1346	MIDAS	412119
GS1205	GUARA	6781	GS1258	MIDAS	8594S	GS1292	MIDAS	470380	GS1346	MIDAS	472856
GS1205	MIDAS	6781	GS1259	GUARA	8133S	GS1293	GUARA	8940S	GS1347	GUARA	412119
GS1206	GUARA	203006	GS1259	MIDAS	8133S	GS1293	MIDAS	8940S	GS1347	GUARA	450101
GS1206	MIDAS	203006	GS1260	GUARA	8549S	GS1294	GUARA	415995	GS1348	GUARA	410987
GS1207	GUARA	44053	GS1260	MIDAS	8549S	GS1294	GUARA	455013	GS1348	GUARA	450686
GS1207	MIDAS	44053	GS1261	GUARA	51322	GS1294	MIDAS	415995	GS1349	GUARA	416271

INTERCHANGE SECTION

COMPETITIVE INTERCHANGES

Mfr No.	Mfr.	National	Mfr No.	Mfr.	National	Mfr No.	Mfr.	National	Mfr No.	Mfr.	National
GS1349	MIDAS	416271	GS1383	GUARA	1188	GY0110602	MAZDA	710837	H311	TLSMI	471192
GS1350	GUARA	410825	GS1383	MIDAS	1188	GY0112601	MAZDA	471651	H3110	TLSMI	415458
GS1350	MIDAS	410825	GS1387	GUARA	1180	GY2006W	JOHND	470548	H3110	TLSMI	455003
GS1351	GUARA	417480	GS1387	MIDAS	1180	GY2006W	JOHND	470625	H31101	LEROI	450446
GS1351	GUARA	455860	GS1388	GUARA	1174	H9K226	CONTI	450025	H31103	TLSMI	455584
GS1351	MIDAS	417480	GS1388	MIDAS	1174	H9K226	CONTI	471553	H31104	TLSMI	455576
GS1351	MIDAS	455860	GS1391	GUARA	1174	H1005	DURA	471442	H31107	TLSMI	474278
GS1354	GUARA	415458	GS1391	MIDAS	1174	H1028813	CUMMI	470712	H31107	TLSMI	480356
GS1354	GUARA	475003N	GS1393	GUARA	1974	H1028821	CUMMI	471570	H31124	TLSMI	416888
GS1354	GUARA	475458	GS1393	MIDAS	1974	H103666	CUMMI	473016	H31124	TLSMI	455200
GS1356	GUARA	455008	GS1394	GUARA	1994	H1110	OLIVE	450316	H31129	TLSMI	415317
GS1356	MIDAS	455008	GS1394	MIDAS	1994	H1110	OLIVE	472636	H31131	TLSMI	415035
GS1357	GUARA	2222	GS1397	GUARA	1208	H11773	ALLCH	471567	H31138	TLSMI	9568
GS1357	MIDAS	2222	GS1397	MIDAS	1208	H1240	MARMO	470358	H312	TLSMI	470064
GS1359	GUARA	415009	GS1399	GUARA	8429S	H1240	MARMO	473231	H312	TLSMI	471821
GS1359	GUARA	415960	GS1399	MIDAS	8429S	H12477	GMC	473227	H3120	TLSMI	416167
GS1359	GUARA	455009	GS1403	GUARA	473234	H12478	GMC	240319	H3120	TLSMI	455091
GS1360	GUARA	2081	GS1403	GUARA	473241	H1251442	LEROI	455151	H3121	TLSMI	415351
GS1360	MIDAS	2081	GS1407	GUARA	450666	H1251443	LEROI	450054	H313	TLSMI	472029
GS1361	GUARA	9864S	GS1407	MIDAS	450666	H1251444	LEROI	470064	H313249	AMC	415995
GS1361	MIDAS	9864S	GS1408	GUARA	5573	H1251444	LEROI	471821	H313249	AMC	455013
GS1362	GUARA	417158	GS1408	MIDAS	5573	H1251446	LEROI	473435	H3139	TLSMI	417211
GS1362	MIDAS	417158	GS1409	GUARA	6241S	H1251447	LEROI	6863S	H3143	TLSMI	415995
GS1363	GUARA	417158	GS1409	MIDAS	6241S	H125206	LEROI	450083	H3143	TLSMI	455013
GS1363	GUARA	9864S	GS1414	GUARA	417485	H125206	LEROI	472924	H3148	TLSMI	415035
GS1364	GUARA	417487	GS1414	MIDAS	417485	H125208	LEROI	455151	H3148	TLSMI	455035
GS1364	GUARA	455086	GS1415	GUARA	5965	H125209	LEROI	481073	H315	TLSMI	415991
GS1364	MIDAS	417487	GS1415	MIDAS	5965	H125210	LEROI	470064	H315	TLSMI	455146
GS1364	MIDAS	455086	GS1416	GUARA	415857	H125210	LEROI	471821	H3150	TLSMI	410496
GS1365	GUARA	3385	GS1416	MIDAS	415857	H125212	LEROI	450039	H3154	TLSMI	417254
GS1365	MIDAS	3385	GS1418	GUARA	451948	H137	IRON	470077	H3155	TLSMI	417554
GS1366	GUARA	6358	GS1418	MIDAS	451948	H137	IRON	474281	H3157	TLSMI	417546
GS1366	MIDAS	6358	GS1419	GUARA	470169	H1443	OLIVE	450085	H3158	TLSMI	415991
GS1368	GUARA	416292	GS1419	GUARA	473214	H1443	OLIVE	470530	H3158	TLSMI	455146
GS1368	MIDAS	416292	GS1419	MIDAS	470169	H1443	WHITE	450085	H318	TLSMI	472560N
GS1369	GUARA	415085	GS1419	MIDAS	473214	H1443	WHITE	470530	H318	TLSMI	50151S
GS1369	GUARA	456648	GS1420	GUARA	1188	H153F	GN-TI	471750	H3193	TLSMI	415995
GS1369	MIDAS	415085	GS1420	MIDAS	1188	H154	MINNM	473243	H3193	TLSMI	455013
GS1369	MIDAS	456648	GS1422	GUARA	6960	H1582	OLIVE	450070	H324394	AMC	470219
GS1370	GUARA	415437	GS1422	MIDAS	6960	H1582	OLIVE	472185	H324394	AMC	471649
GS1370	GUARA	455173	GS1423	GUARA	205015	H165	AM BR	450040	H324395	AMC	471652
GS1370	MIDAS	415437	GS1423	MIDAS	205015	H193	GN-TI	6283S	H336842	CASE	471413
GS1370	MIDAS	455173	GS1427	GUARA	473258	H22981	JA-HE	471532	H428839	CASE	416556
GS1371	GUARA	370033A	GS1427	MIDAS	473258	H2319A	GMC	450194	H428839	CASE	472157
GS1371	MIDAS	370033A	GS1429	GUARA	5131	H2319A	GMC	473010	H441	PORTR	417601
GS1372	GUARA	415958	GS1429	MIDAS	5131	H25051	JOHND	40395	H441	TEXAS	417601
GS1372	GUARA	455958	GS1434	GUARA	6960	H25051	JOHND	40395S	H442	PORTR	55301S
GS1372	MIDAS	415958	GS1434	MIDAS	6960	H2586B	JOHND	481163	H442	TEXAS	55301S
GS1372	MIDAS	455958	GS1435	GUARA	471192	H275	OLIVE	6863S	H4622S	CASE	472144
GS1373	GUARA	456618	GS1435	MIDAS	471192	H281	FABCO	415302	H50117103	MAZDA	710511
GS1373	MIDAS	456618	GS1482	GUARA	5699	H282	FABCO	450078	H5035	KRSE	340900
GS1374	GUARA	370024A	GS1482	MIDAS	5699	H282	FABCO	473444	H50490	KRSE	417343
GS1374	MIDAS	370024A	GSE461	ALLCH	415001	H3030	MUSAS	710421	H51240	MARMO	410308
GS1376	GUARA	473238	GSE461	ALLCH	455001	H3042	MUSAS	710371	H51240	MARMO	450308
GS1376	MIDAS	473238	GTB5398	FORD	450291	H3044	MUSAS	225875	H54879	ITM	2007N
GS1379	GUARA	223535	GTB5398	FORD	471141	H3058	MUSAS	710052	H553	PORTR	416891
GS1381	GUARA	1174	GTB7269	FORD	450593	H3080	MUSAS	710296	H59039	ITM	473367
GS1381	MIDAS	1174	GTB7274	FORD	473215	H3081	MUSAS	710295	H604637	SPICE	415013
GS1382	GUARA	224235	GW24014406	TROS	440265	H3082	MUSAS	710055	H604637	SPICE	415995
GS1382	MIDAS	224235	GX1538	MASSE	471801	H3083	MUSAS	710369	H620A	HOUGH	415449

INTERCHANGE SECTION

COMPETITIVE INTERCHANGES



Mfr No.	Mfr.	National	Mfr No.	Mfr.	National	Mfr No.	Mfr.	National	Mfr No.	Mfr.	National
H620A	HOUGH	455147	HCF3129A	AU-WS	471224	HO26	ATP	710795	I3909	MUSAS	222835
H620A	OLIVE	450593	HCF5091A	AU-WS	417538	HO27	ATP	710315	I3910	MUSAS	3543
H687	PORTR	417273	HCF5097	AU-WS	471270	HO28	ATP	1036	ICV100000	ROVER	224250
H693	OLIVE	450291	HCF5098A	AU-WS	473227	HO29	ATP	710598	ID306	IDECO	416229
H693	OLIVE	471141	HCT186	FMC	417316	HO30	ATP	710110	IE3648	DENCO	482041N
H706	PORTR	455330	HD1022	LETN	450291	HO31	ATP	710217	IJH5033E0	NOK	3771
H706	TEXAS	455330	HD1022	LETN	471141	HO32	ATP	224045	IJH5033E	NOK	3771
H70792	GAL	410867N	HD1107	LETN	6565N	HO33	ATP	224066	ISK76884	IH	416167
H749085	CASE	200339	HD2620	LETN	417344	HO34	ATP	239146	ISK76884	IH	455091
H75HER12010	HERCU	410101N	HD2620	LETN	455006	HO35	ATP	712551	IX223	GRAY	471255
H75296	JOHND	471808	HD4135	LETN	450911N	HO36	ATP	712551	IXE446	GRAY	472439
H85305	GAL	471271	HD41352	LETN	450911N	HO37	ATP	1146	IZB500010	ROVER	710749
H861	PORTR	415991	HD4136	LETN	6565N	HO38	ATP	1147	IZB500020	ROVER	710750
H861	PORTR	455146	HD4272	LETN	415645	HO39	ATP	710173	IZB500030	ROVER	710743
HA1198	HOUGH	471689	HD4272	LETN	455104	HO40	ATP	710598	J0081	JEFF	473461
HA1199	HOUGH	473215	HD4488	LETN	6565N	HO41	ATP	710796	J0260074	JEEP	1172
HA1213	HOUGH	471795	HD44881	LETN	455134	HO42	ATP	710629	J0260074	RENAU	1172
HA1217	HOUGH	471689	HD44882	LETN	455134	HO43	ATP	710630	J0719273	AMC	223005
HA1405	HOUGH	474278	HD4496	LETN	417172	HO44	ATP	710677	J0719273	CHRY	223005
HA1405	HOUGH	480356	HD4565	LETN	415138	HO45	ATP	223553	J0719273	RENAU	223005
HA396	HOUGH	411394	HD4674	LETN	416107	HO46	ATP	710911	J0719274	AMC	225020
HA396	HOUGH	450317	HD4674	LETN	455073	HO8	ATP	7300S	J0719274	CHRY	225020
HA775	HOUGH	415027	HD5454	LETN	415035	HO9	ATP	7692S	J0719274	RENAU	225020
HA775	HOUGH	455027	HD5586	LETN	417563	HS282	HOUGH	473243	J0743161	RENAU	228010
HA889	HOUGH	415995	HD6845	LETN	417563	HS4537AH1	CHRY	415371	J0853373	CHRY	229005
HA889	HOUGH	455013	HD68451	LETN	417563	HS925	HOUGH	474278	J0854842	RENAU	1172
HB19009	EMSCO	415072	HD684512	WABCO	417563	HS925	HOUGH	480356	J0854852	RENAU	1172
HB19069	EMSCO	415124	HD684513	WABCO	417563	HX43662	JOHND	471255	J0859691	RENAU	3771
HC1266	LETN	415045	HD68452	LETN	417563	HX44879	JOHND	471529	J0938031	AMC	482267
HC1411	LETN	417344	HD68453	LETN	417563	HY694	HU-WR	417267	J0998092	CHRY	5778
HC1411	LETN	455006	HD68455	LETN	417563	HY704	HU-WR	471472	J0998092	CHRY	5778V
HC2071	LETN	473245	HD68456	LETN	417563	HYD2A6	FAIRB	470548	J0998092	JEEP	5778
HC32842	LETN	418028	HD68457	LETN	417563	HYD2A6	FAIRB	470625	J0998092	JEEP	5778V
HC32842	LETN	455137	HD684813	WABCO	417563	HYD2A7	FAIRB	417316	J10544	JOHND	471570
HC3908	LETN	415043	HE11072	LETN	6565N	HYD2A7	FAIRB	455004	J10544H	JOHND	471570
HC527	LETN	415035	HE11074	LETN	6565N	I3511	MUSAS	710248	J1105	TIMKE	J1105
HC544	LETN	412473	HG483	WITTE	472012	I3513	MUSAS	710080	J1106	TIMKE	J1106
HC544	LETN	415894	HH00031043	TLSMI	415995	I3514	MUSAS	710081	J1111	TIMKE	J1111
HC7497	LETN	417563	HH00031043	TLSMI	455013	I3515	MUSAS	710373	J13672	JOHND	40169S
HCF12312	AU-WS	470954	HK7010	LETN	417548	I3542	MUSAS	710278	J1606	TIMKE	J1606
HCF12314	B-L-H	471224	HL1305	LETN	417570	I3543	MUSAS	225020	J176	BORGW	472394
HCF12315	B-L-H	415234	HL153	GN-TI	441319	I3573	MUSAS	710087	J177	BORGW	472394
HCF12316	B-L-H	412040	HL16	HOLT	481163	I3574	MUSAS	710084	J177061	CINMI	471192
HCF12316	CLARK	412040	HLX295	MASSE	240151	I3575	MUSAS	710085	J179	BORGW	410312N
HCF12317	B-L-H	415147	HM371	LK-BT	482253	I3590	MUSAS	227040	J2110	BORGW	450185
HCF12317	B-L-H	415449	HM377	LK-BT	415023	I3592	MUSAS	710088	J2110	BORGW	473229
HCF12317	CLARK	415449	HM59	LK-BT	415001	I3593	MUSAS	710268	J3170700	AMC	7687S
HCF12318	B-L-H	472572	HM59	LK-BT	455001	I3594	MUSAS	710086	J3183981	AMC	470331N
HCF12318	CLARK	472572	HO14	ATP	710445	I3600	MUSAS	710089	J3208474	AMC	470331N
HCF12319	B-L-H	415294	HO15	ATP	710721	I3606	MUSAS	474230	J3236560	JEEP	470331N
HCF12319	CLARK	415294	HO16	ATP	710805	I3608	MUSAS	710081	J3238137	AMC	3942
HCF13182	AU-WS	415072	HO17	ATP	225545	I3647	MUSAS	222860	J32400086	CHRY	9912
HCF244	AU-WS	450316	HO18	ATP	710838	I3648	MUSAS	710516	J3240086	AMC	9912
HCF244	AU-WS	472636	HO19	ATP	710868	I3658	MUSAS	710511	J3240086	CHRY	9912
HCF279	AU-WS	55030	HO20	ATP	350609	I3659	MUSAS	710512	J3241669	AMC	3698
HCF280	AU-WS	412473	HO21	ATP	350609	I3660	MUSAS	224250	J376	BORGW	472394
HCF280	AU-WS	415894	HO22	ATP	221207	I3661	MUSAS	710768	J379	BORGW	410312N
HCF281	AU-WS	415449	HO23	ATP	220918	I3682	MUSAS	710620	J4103	GMC	472560N
HCF281	AU-WS	455147	HO24	ATP	223553	I3900	MUSAS	710309	J4103	GMC	50151S
HCF3129	AU-WS	471224	HO25	ATP	1147	I3903	MUSAS	239201	J4194980	CHRY	710196

INTERCHANGE SECTION

COMPETITIVE INTERCHANGES

Mfr No.	Mfr.	National	Mfr No.	Mfr.	National	Mfr No.	Mfr.	National	Mfr No.	Mfr.	National
J4486140	AMC	313842	J8131684	JEEP	710928	JM172	LK-BT	455018	JV1727	VIC	710707
J4486141	JEEP	474134	J8132672	AMC	472439	JM172	LK-BT	476470	JV1733	VIC	711003
J4488330	JEEP	480821	J8132702	JEEP	470331N	JMU149A	BR-WN	470027	JV503	VIC	227020
J50116103	HONDA	3638	J8132779	AMC	7412S	JMU149A	BR-WN	471554	JV5032	VIC	710713
J501389	AMC	4370N	J8132822	AMC	483793	JO105	ATP	710096	JV506	VIC	227235
J501389	CHRYSLER	4370N	J8132957	AMC	473442	JO122	ATP	714598	JV507	VIC	228005
J501389	JEEP	4370N	J8133528	AMC	3638	JO124	ATP	4333N	JV508	VIC	3698
J51163	FULLE	471787	J8133529	AMC	313156	JO126	ATP	4674N	JV513	VIC	3772
J51163	MARMO	471787	J8133643	AMC	341022	JO127	ATP	4577	JV5140	VIC	710554
J51163	SPICE	471787	J8133643	CHRYSLER	341022	JO128	ATP	714679	JV5144	VIC	710187
J51291	FULLE	471192	J8134216	AMC	472319	JO131	ATP	4918	JV5156	VIC	710711
J51291	MARMO	471192	J8134446	AMC	710046	JO132	ATP	100165	JV5175	VIC	710887
J51296	FULLE	415458	J8134478	AMC	3173	JO18	ATP	4613N	JV534	VIC	227235
J51296	FULLE	455003	J8134478	AMC	710928	JO20	ATP	415988	JV534	VIC	228005
J51296	MARMO	415458	J8134491	AMC	4370N	JO24	ATP	718610	JV536	VIC	229005
J51296	MARMO	455003	J8134491	CHRYSLER	4370N	JO25	ATP	4615V	JV540	VIC	224250
J51297	FULLE	450117	J8134491	JEEP	4370N	JO26	ATP	4701N	JV547	VIC	3893V
J51297	FULLE	472572	J8134680	CHRYSLER	710058	JO57	ATP	9449	JV547	VIC	39608
J51299	FULLE	450117	J8182957	AMC	473442	JO0038066	FWD	415072	JV548	VIC	229005
J51299	FULLE	472572	J9031050001	VW	1960	JO0083065	FWD	415559	JV550	VIC	228700
J51299	MARMO	472572	J9031130014	VW	1981	JR139	FMC	472439	JV552	VIC	3698
J5349457	AMC	710928	J9031142019	VW	2025	JR139	LK-BT	472439	JV553	VIC	3698
J5356675	AMC	442874	J9031150005	VW	1948	JT265A	MINNM	470059	JV563	VIC	228009
J5359457	AMC	3173	J9031162001	VW	226285	JT265A	MINNM	470380	JV567	VIC	716102
J5359457	CHRYSLER	3173	JA000779	WILLY	40576S	JT3005	MINNM	450194	JV596	VIC	40375
J5359457	JEEP	3173	JE1510602	MAZDA	710264	JT3005	MINNM	473010	JV602	VIC	5095
J5365082	AMC	3945	JE1510602A	MAZDA	710264	JT3089	MINNM	471801	JV603	VIC	5092
J6110	BORGW	473445	JE2612601	MAZDA	321416	JT3111	MINNM	471192	JV606	VIC	5414
J6816980	CHRYSLER	710196	JE2612601A	MAZDA	321416	JT3134	MINNM	472299	JV607	VIC	5650
J7108	BORGW	340483	JE2612602	MAZDA	226510	JT367	MINNM	417316	JV611	VIC	713750
J7110	BORGW	410101N	JE2612602A	MAZDA	226510	JT367	MINNM	455004	JV614	VIC	5117
J775	BORGW	470120	JE9229	MINNM	471570	JT467A	MINNM	415995	JV615	VIC	3393
J775	BORGW	471224	JEJ40B304430	CINMI	450067	JT467A	MINNM	455013	JV617	VIC	3393
J8121397	AMC	722108	JEJ40B304430	CINMI	473228	JT885	MINNM	417267	JV618	VIC	5117
J8121399	WILLY	472397	JF0110602	MAZDA	224660	JT885A	MINNM	330663	JV618	VIC	5118
J8121781	AMC	710068	JF0110602A	MAZDA	224660	JT885A	MINNM	472354	JV619	VIC	3698
J8122404	JEEP	5872S	JF0111312	MAZDA	1019	JV1055	VIC	710233	JV626	VIC	228480
J8123077	JEEP	450185	JF0111312A	MAZDA	1019	JV1007	VIC	224250	JV627	VIC	228020
J8123077	JEEP	473229	JF0112602	MAZDA	1940	JV1015	VIC	225020	JV628	VIC	226020
J8124630	AMC	5131	JF0112602A	MAZDA	1940	JV1023	VIC	224250	JV629	VIC	227040
J8124881	AMC	3638	JG1291	MARMO	471192	JV1036	VIC	224460	JV634	VIC	227550
J8124893	AMC	9613S	JH20912	JA-HE	471760	JV1044	VIC	223012	JV637	VIC	5591
J8125718	AMC	3638	JH20917	JA-HE	473213	JV1059	VIC	710332	JV640	VIC	224520
J8127350	AMC	722109	JH20920	JA-HE	471646	JV1062	VIC	710056	JV643	VIC	716102
J8127391	AMC	3638	JH20923	JA-HE	470590	JV1072	VIC	224460	JV644	VIC	228480
J8128013	AMC	2443	JH20924	JA-HE	470027	JV1194	VIC	710620	JV650	VIC	5419
J8128016	AMC	222820	JH20924	JA-HE	471554	JV13410	VIC	5414	JV699	VIC	5072
J8129096	AMC	5131	JH20927	JA-HE	470219	JV1601	VIC	710235	JV705	VIC	5072
J8130762	AMC	471737	JH20927	JA-HE	471649	JV1649	VIC	710894	JV706	VIC	5092
J8130762	CHRYSLER	471737	JH20928	JA-HE	471646	JV1662	VIC	710352	JV710	VIC	5095
J8130808	AMC	3946	JH20938	JA-HE	471532	JV1663	VIC	710765	JV719	VIC	5591
J8130810	AMC	3946	JH20939	JA-HE	340469	JV1666	VIC	710235	JV730	VIC	5095
J8130870	AMC	3173	JH20940	JA-HE	350156	JV1671	VIC	710860	JV730P	VIC	5116
J8130870	AMC	710928	JH20940	JA-HE	473096	JV1678	VIC	710676	JV730R	VIC	5108
J8130982	AMC	341022	JJ20116	JAGUA	450867	JV1693	VIC	710840	JV741	VIC	5095
J8130982	CHRYSLER	341022	JLM010613	JAGUA	450867	JV1705	VIC	710237	JV742	VIC	5591
J8130982	JEEP	341022	JLM10856	JAGUA	224010	JV1716	VIC	710855	JV743	VIC	5111S
J8131669	AMC	711552	JLM20211	JAGUA	710718	JV1719	VIC	710814	JV745	VIC	5591
J8131674	AMC	471466	JLM660	JAGUA	224010	JV1721	VIC	710884	JV749	VIC	5095
J8131684	JEEP	3173	JLM866	JAGUA	710780	JV1722	VIC	710602	JV870	VIC	472341

INTERCHANGE SECTION

COMPETITIVE INTERCHANGES



Mfr No.	Mfr. National	Mfr No.	Mfr. National	Mfr No.	Mfr. National	Mfr No.	Mfr. National
JV878	VIC 321460	K12011BA	Y-T 472394	K1660	AVCO 471354	K503	TLSMI 473466
JV883	VIC 9845	K12011BB	Y-T 450083	K1715	AVCO 350909	K504	PORTR 416892
JV907	VIC 227550	K12011BB	Y-T 472924	K1715	AVCO 471224	K506	PORTR 416888
JV910	VIC 224520	K12011BD	Y-T 450085	K2002	FULLE OK1000	K506	PORTR 455200
JV914	VIC 3771	K12011BD	Y-T 470530	K20111312	HYUND 228250	K507	PORTR 455311
JV933	TIMKE JV933	K12011BG	Y-T 450121	K20111312	KIA 228250	K5108219	KY-CL 205017
JV941	VIC 224460	K12011BG	Y-T 472409	K20133065	MAZDA 1932	K511	PORTR 415035
JV942	VIC 224460	K12011BK	Y-T 455321	K21116213	MAZDA 710316	K511	PORTR 455035
JV943	VIC 224840	K12011BL	Y-T 410520	K229	PORTR 416345	K5115454	KY-CL 455006N
JV944	VIC 224460	K12011BL	Y-T 471272	K229	PORTR 455033	K5116224	KY-CL 482041N
JV945	VIC 224840	K12011BM	Y-T 411253	K2375	PUL 450085	K5117983	KY-CL 470954
JV956	VIC 710331	K12011BM	Y-T 450099	K2375	PUL 470530	K5131329	KY-CL 470625
JV962	VIC 224250	K12011BN	Y-T 472029	K24004	ROSS 240356	K5134924	KY-CL 482069N
JV982	VIC 3476	K12011BQ	Y-T 413248	K2530	AVCO 471224	K515	PORTR 416229
JV983	VIC 3476	K12011BR	Y-T 415458	K2532	AVCO 450069	K5153373	KY-CL 417344
JV984	VIC 1108	K12011BR	Y-T 455003	K2532	AVCO 473232	K5154314	KY-CL 416271
JV993	VIC 3459	K12011BS	Y-T 417082	K2780P	CASE 200854	K516	PORTR 416107
JV994	VIC 224460	K12011BU	Y-T 416921	K2789P	CASE 200854	K516	PORTR 455073
JV998	VIC 224250	K12011BU	Y-T 455011	K300	PORTR 455197N	K5161028	KY-CL 471570
K01111312	KIA 229010	K12011BV	Y-T 416921	K3008	CASE 6575S	K517	PORTR 417602
K01111312	MAZDA 229010	K12011BV	Y-T 455011	K301	PORTR 415351	K517	TEXAS 417602
K100000	TIMKE 471570	K12011BW	Y-T 416921	K305	PORTR 416892	K518	PORTR 415072
K1110	OLIVE 415995	K12011BW	Y-T 455011	K32003	ROSS 5458	K5192438	KY-CL 6370N
K1110	OLIVE 455013	K12011C	Y-T 450025	K3202615	KY-CL 470027	K521	PORTR 417596
K11223B	Y-T 450400	K12011C	Y-T 471553	K3202615	KY-CL 471554	K521	TEXAS 417596
K12001D	Y-T 470954	K12011CB	Y-T 415027	K32077	WHITE 323138	K522	TLSMI 473451
K12011AA	Y-T 471750	K12011CB	Y-T 455027	K3229964	KY-CL 417486	K5230007	KY-CL 471526
K12011AD	Y-T 470403	K12011G	Y-T 481568	K3273	AVCO 470548	K5255	CASE 455019
K12011AD	Y-T 470774	K12011H	Y-T 471231	K3273	AVCO 470625	K565	PORTR 415991
K12011AE	Y-T 470950	K12011J	Y-T 481443	K3325179	KY-CL 415937	K565	PORTR 455146
K12011AE	Y-T 6241S	K12011M	Y-T 481650	K3365	AVCO 203006	K566	BUTBN 415013
K12011AF	Y-T 473215	K12011N	Y-T 481650	K3382	AVCO 417509	K566	BUTBN 415995
K12011AG	Y-T 470548	K12011R	Y-T 480210	K3385	AVCO 470088	K5856	PUL 481864
K12011AG	Y-T 470625	K12011S	Y-T 471651	K3487	AVCO 471689	K588	TLSMI 418028
K12011AH	Y-T 470548	K12011V	Y-T 471765	K3489	AVCO 40140S	K588	TLSMI 455137
K12011AH	Y-T 470625	K12011Y	Y-T 471354	K3557	AVCO 41787S	K5950	FORD 471820
K12011AJ	Y-T 470059	K1256	PUL 412119	K3600	FORD 200354	K600L200	CONTI 412119
K12011AJ	Y-T 470380	K1256	PUL 450101	K36060	OLIVE 205004	K600L200	CONTI 450101
K12011AK	Y-T 471820	K13006	ROSS 471652	K36060	TIMKE 205004	K620	MASSE 472439
K12011AL	Y-T 470059	K1364	PUL 470027	K37498K	JOHND 40140S	K620	OLIVE 472439
K12011AL	Y-T 470380	K1364	PUL 471554	K3891	AVCO 450494	K620	WHITE 472439
K12011AM	Y-T 470077	K1381	ROSS 472287	K3891	AVCO 472164	K623448S	CASE 470898
K12011AM	Y-T 474281	K13810	ROSS 472287	K3892	AVCO 471192	K623450	CASE 472015
K12011AN	Y-T 472213	K1443	OLIVE 416921	K4048	AVCO 203008	K6700846	KY-CL 471567
K12011AP	Y-T 470077	K1443	OLIVE 455011	K4279	AVCO 450492	K674	TLSMI 472560N
K12011AP	Y-T 474281	K1447	FULLE OK1000	K43	CASE 204002	K674	TLSMI 50151S
K12011AR	Y-T 450070	K1450	FULLE OK1000	K4337	CASE 471264	K679	BUTBN 415023
K12011AR	Y-T 472185	K14669	ROSS 470219	K435	TLSMI 415458	K682	BUTBN 470950
K12011AS	Y-T 450076	K14669	ROSS 471649	K435	TLSMI 455003	K682	BUTBN 6241S
K12011AS	Y-T 470334	K15026154	MAZDA 1126	K4445	AVCO 470358	K687	BUTBN 472258
K12011AT	Y-T 450076	K15033037	KIA 710323	K4445	AVCO 473231	K693	OLIVE 455079
K12011AT	Y-T 470334	K15033067	MAZDA 710323	K4538	AVCO 40520S	K693	PORTR 415090
K12011AU	Y-T 450076	K15033154	MAZDA 4990	K4582	AVCO 473445	K694	PORTR 455290
K12011AU	Y-T 470334	K154	MINNM 450117	K4583	AVCO 473235	K694	TEXAS 455290
K12011AV	Y-T 473447	K154	MINNM 472572	K46	TMTR 204002	K706165	WILYS 416738
K12011AW	Y-T 470334	K1582	OLIVE 323138	K4655	AVCO 471344	K706165	WILYS 450096
K12011AW	Y-T 50289	K1588	OLIVE 410496	K501	PORTR 415645	K7130400	DEXTE 413470
K12011AX	Y-T 473447	K1590	OLIVE 473436	K501	PORTR 455104	K7138700	DEXTE 370150A
K12011AZ	Y-T 450094	K1590	WHITE 473436	K502	PORTR 416865	K734504	WILYS 410059
K12011AZ	Y-T 473462	K1622	AVCO 200354	K502	PORTR 455070	K734504	WILYS 470380

INTERCHANGE SECTION

COMPETITIVE INTERCHANGES

Mfr No.	Mfr.	National	Mfr No.	Mfr.	National	Mfr No.	Mfr.	National	Mfr No.	Mfr.	National
K735996	WILYS	340151	KAA13269	JOHND	471224	KS14713	GATES	223801	KWK99078	TIMKE	99078
K769	PUL	470045	KBE10227	K-BAX	614743	KS14716	GATES	223802	KWK99080	TIMKE	99080
K769	PUL	476838	KC4609	KOEK	415138	KS14738	GATES	1038	KWK99081	TIMKE	99081
K7931	CASE	6590S	KD3665P	CASE	450456	KS14759	GATES	1120	KWK99082	TIMKE	99082
K8104558AB11	GE	470606	KE406	MINNM	473236	KS14772	GATES	223830	KWK99084	TIMKE	99084
K8104558AB3	GE	481073	KE532	WHITE	470954	KS15292	GATES	710318	KWK99085	TIMKE	99085
K8104558AB4	GE	474276	KE532	WHITE	480954	KS15300	GATES	321416	KWK99086	TIMKE	99086
K8104558AB6	GE	471472	KE7237	PUL	417344	KS15451	GATES	223802	KWK99087	TIMKE	99087
K8169240AA10	GE	471281	KE7237	PUL	455006	KS15500	GATES	710233	KWK99091	TIMKE	99091
K8169240AA11	GE	471103	KFU0119241A	KIA	710442	KS15701	GATES	710451	KWK99092	TIMKE	99092
K8169240AA11	GE	50197S	KJ113481	KP	710615	KS15800	GATES	224052	KWK99094	TIMKE	99094
K8169240AA13	GE	471255	KJ313113	KP	321416	KS15801	GATES	224052	KWK99096	TIMKE	99096
K8169240AA14	GE	470590	KJ8135	KP	710329	KS15804	GATES	224010	KWK99098	TIMKE	99098
K8169240AA15	GE	6863S	KK15026154	KIA	1126	KS15815	GATES	224020	KWK99101	TIMKE	99101
K8169240AA16	GE	471255	KKY0112602	KIA	223012	KS15818	GATES	224020	KWK99103	TIMKE	99103
K8169240AA17	GE	470120	KL0111312	MAZDA	1019	KS15818	GATES	710615	KWK99106	TIMKE	99106
K8169240AA17	GE	471224	KL0510602	MAZDA	223012	KS15823	GATES	224020	KWK99108	TIMKE	99108
K8169240AA18	GE	470027	KM552	KY-CL	415449	KS15829	GATES	712551	KWK99111	TIMKE	99111
K8169240AA18	GE	471554	KO1	ATP	331107N	KS15910	GATES	710436	KWK99112	TIMKE	99112
K8169240AA19	GE	471472	KO3	ATP	7692S	KS16022	GATES	224053	KWK99114	TIMKE	99114
K8169240AA2	GE	481537	KS10188	GATES	710399	KS16041	GATES	710220	KWK99116	TIMKE	99116
K8169240AA20	GE	350435	KS10634	GATES	222743	KS16471	GATES	710620	KWK99118	TIMKE	99118
K8169240AA21	GE	320457	KS10922	GATES	712008	KS16473	GATES	711181	KWK99120	TIMKE	99120
K8169240AA3	GE	330385	KS11122	GATES	3638	KS16487	GATES	710550	KWK99122	TIMKE	99122
K8169240AA5	GE	450431	KS11152	GATES	321417N	KS16489	GATES	1953	KWK99123	TIMKE	99123
K8169240AA5	GE	471539	KS11417	GATES	3638	KS16511	GATES	224215	KWK99125	TIMKE	99125
K8169240AA6	GE	481073	KS11429	GATES	320595	KS16889	GATES	2012V	KWK99128	TIMKE	99128
K8169240AA7	GE	470954	KS11592	GATES	1981	KS16893	GATES	710264	KWK99129	TIMKE	99129
K8169240AA8	GE	474277	KS11608	GATES	223010	KS17107	GATES	2955	KWK99131	TIMKE	99131
K8169240AB1	GE	470163	KS11612	GATES	223012	KS17122	GATES	710264	KWK99133	TIMKE	99133
K8169240AB1	GE	471766	KS11671	GATES	223018	KS17154	GATES	224660	KWK99134	TIMKE	99134
K8169240AD3	GE	340413	KS12301	GATES	710332	KS17286	GATES	9845	KWK99138	TIMKE	99138
K8169240AD4	GE	340385	KS12706	GATES	223220	KS17629	GATES	224460	KWK99139	TIMKE	99139
K8169240AD5	GE	340151	KS12711	GATES	223230	KS17806	GATES	321460	KWK99143	TIMKE	99143
K8169240AD8	GE	340120	KS12718	GATES	223235	KS17897	GATES	224650	KWK99144	TIMKE	99144
K818	BUTBN	472179	KS12724	GATES	710310	KS18014	GATES	224663	KWK99145	TIMKE	99145
K82066	TIMKE	710467	KS12756	GATES	710415	KS18544	GATES	2692	KWK99146	TIMKE	99146
K844	PORTR	417601	KS12886	GATES	223340	KS18854	GATES	224840	KWK99147	TIMKE	99147
K8705301	RCA	471442	KS13423	GATES	223400	KS18877	GATES	716484	KWK99149	TIMKE	99149
K8705302	RCA	455151	KS13427	GATES	710236	KS18971	GATES	710313	KWK99150	TIMKE	99150
K8705303	RCA	417491	KS13429	GATES	223420	KS20432	GATES	710187	KWK99152	TIMKE	99152
K8705304	RCA	416047	KS13429	GATES	710886	KS20466	GATES	710190	KWK99153	TIMKE	99153
K8705304	RCA	416332	KS13557	GATES	714655	KS25518	GATES	226510	KWK99155	TIMKE	99155
K8767	ROSS	471750	KS13709	GATES	1108	KT260A	MINNM	450183	KWK99156	TIMKE	99156
K8768	ROSS	470120	KS13857	GATES	1987	KT260A	MINNM	472179	KWK99157	TIMKE	99157
K8768	ROSS	471224	KS13907	GATES	710329	KT365A	MINNM	450095	KWK99159	TIMKE	99159
K8772152AA2	GE	330385	KS13943	GATES	3771	KT365A	MINNM	473464	KWK99160	TIMKE	99160
K9028	PUL	472015	KS13945	GATES	223510	KT458B	MINNM	455018	KWK99161	TIMKE	99161
K9331	ROSS	471570	KS13946	GATES	710424	KT458B	MINNM	476470	KWK99162	TIMKE	99162
K95	PUL	415995	KS13967	GATES	710424	KWK99049	TIMKE	99049	KWK99163	TIMKE	99163
K95	PUL	455013	KS13987	GATES	223520	KWK99050	TIMKE	99050	KWK99165	TIMKE	99165
K9681	PUL	472439	KS13987	GATES	710730	KWK99055	TIMKE	99055	KWK99166	TIMKE	99166
K972	PORTR	415072	KS14005	GATES	223601	KWK99056	TIMKE	99056	KWK99167	TIMKE	99167
K9L8336	CATER	J1136	KS14012	GATES	223608	KWK99058	TIMKE	99058	KWK99168	TIMKE	99168
K9L8340	CATER	415725	KS14027	GATES	710331	KWK99059	TIMKE	99059	KWK99169	TIMKE	99169
K9L8341	CATER	473474	KS14032	GATES	1940	KWK99060	TIMKE	99060	KWK99170	TIMKE	99170
KA1261	KELSE	417172	KS14125	GATES	710331	KWK99062	TIMKE	99062	KWK99171	TIMKE	99171
KA62338	VICK	240731	KS14477	GATES	710355	KWK99068	TIMKE	99068	KWK99172	TIMKE	99172
KAA09102001	KELSE	413247	KS14560	GATES	321417N	KWK99075	TIMKE	99075	KWK99174	TIMKE	99174
KAA13269	JOHND	470120	KS14671	GATES	223750	KWK99076	TIMKE	99076	KWK99175	TIMKE	99175

INTERCHANGE SECTION

COMPETITIVE INTERCHANGES



Mfr No.	Mfr.	National	Mfr No.	Mfr.	National	Mfr No.	Mfr.	National	Mfr No.	Mfr.	National
KWK99176	TIMKE	99176	KWK99281	TIMKE	99281	KWK99395	TIMKE	99395	KWK99745	TIMKE	99745
KWK99177	TIMKE	99177	KWK99282	TIMKE	99282	KWK99399	TIMKE	99399	KWK99750	TIMKE	99750
KWK99179	TIMKE	99179	KWK99284	TIMKE	99284	KWK99400	TIMKE	99400	KWK99787	TIMKE	99787
KWK99180	TIMKE	99180	KWK99286	TIMKE	99286	KWK99401	TIMKE	99401	KWK99800	TIMKE	99800
KWK99181	TIMKE	99181	KWK99287	TIMKE	99287	KWK99409	TIMKE	99409	KX25261	JOHND	417487
KWK99184	TIMKE	99184	KWK99289	TIMKE	99289	KWK99412	TIMKE	99412	KX25261	JOHND	455014
KWK99185	TIMKE	99185	KWK99290	TIMKE	99290	KWK99413	TIMKE	99413	KY0111312	MAZDA	228250
KWK99186	TIMKE	99186	KWK99291	TIMKE	99291	KWK99418	TIMKE	99418	KY0112602	MAZDA	223012
KWK99187	TIMKE	99187	KWK99293	TIMKE	99293	KWK99423	TIMKE	99423	KY0117131	MAZDA	221620
KWK99188	TIMKE	99188	KWK99294	TIMKE	99294	KWK99424	TIMKE	99424	L0004005	IAPCO	228480
KWK99189	TIMKE	99189	KWK99296	TIMKE	99296	KWK99434	TIMKE	99434	L0006005	IAPCO	716484
KWK99190	TIMKE	99190	KWK99298	TIMKE	99298	KWK99435	TIMKE	99435	L0010005	IAPCO	224520
KWK99192	TIMKE	99192	KWK99299	TIMKE	99299	KWK99437	TIMKE	99437	L0010008	IAPCO	229005
KWK99193	TIMKE	99193	KWK99300	TIMKE	99300	KWK99438	TIMKE	99438	L0011003	IAPCO	3677
KWK99196	TIMKE	99196	KWK99303	TIMKE	99303	KWK99439	TIMKE	99439	L0016001	IAPCO	1196
KWK99198	TIMKE	99198	KWK99306	TIMKE	99306	KWK99450	TIMKE	99450	L0016002	IAPCO	494122
KWK99199	TIMKE	99199	KWK99307	TIMKE	99307	KWK99452	TIMKE	99452	L0016004	IAPCO	473237
KWK99200	TIMKE	99200	KWK99311	TIMKE	99311	KWK99463	TIMKE	99463	L0016006	IAPCO	473237
KWK99204	TIMKE	99204	KWK99312	TIMKE	99312	KWK99465	TIMKE	99465	L0016010	IAPCO	471847N
KWK99205	TIMKE	99205	KWK99313	TIMKE	99313	KWK99468	TIMKE	99468	L0016011	IAPCO	471847N
KWK99210	TIMKE	99210	KWK99315	TIMKE	99315	KWK99471	TIMKE	99471	L0016016	IAPCO	229522
KWK99212	TIMKE	99212	KWK99317	TIMKE	99317	KWK99472	TIMKE	99472	L0017001	IAPCO	1992
KWK99215	TIMKE	99215	KWK99322	TIMKE	99322	KWK99473	TIMKE	99473	L0017003	IAPCO	473823
KWK99218	TIMKE	99218	KWK99323	TIMKE	99323	KWK99475	TIMKE	99475	L0017005	IAPCO	1992
KWK99220	TIMKE	99220	KWK99324	TIMKE	99324	KWK99487	TIMKE	99487	L0017008	IAPCO	5108
KWK99225	TIMKE	99225	KWK99325	TIMKE	99325	KWK99490	TIMKE	99490	L0020001	IAPCO	1188
KWK99226	TIMKE	99226	KWK99326	TIMKE	99326	KWK99491	TIMKE	99491	L0020006	IAPCO	1188
KWK99227	TIMKE	99227	KWK99328	TIMKE	99328	KWK99492	TIMKE	99492	L0020008	IAPCO	3771
KWK99230	TIMKE	99230	KWK99331	TIMKE	99331	KWK99494	TIMKE	99494	L0020010	IAPCO	1979
KWK99231	TIMKE	99231	KWK99332	TIMKE	99332	KWK99498	TIMKE	99498	L0020015	IAPCO	228010
KWK99233	TIMKE	99233	KWK99333	TIMKE	99333	KWK99499	TIMKE	99499	L0020017	IAPCO	1188
KWK99235	TIMKE	99235	KWK99334	TIMKE	99334	KWK99501	TIMKE	99501	L0020022	IAPCO	1981
KWK99236	TIMKE	99236	KWK99337	TIMKE	99337	KWK99513	TIMKE	99513	L0020031	IAPCO	2016
KWK99237	TIMKE	99237	KWK99339	TIMKE	99339	KWK99525	TIMKE	99525	L0020041	IAPCO	1974
KWK99238	TIMKE	99238	KWK99340	TIMKE	99340	KWK99533	TIMKE	99533	L0020043	IAPCO	712011
KWK99240	TIMKE	99240	KWK99346	TIMKE	99346	KWK99537	TIMKE	99537	L0020044	IAPCO	4990
KWK99241	TIMKE	99241	KWK99347	TIMKE	99347	KWK99549	TIMKE	99549	L0020045	IAPCO	2002
KWK99242	TIMKE	99242	KWK99349	TIMKE	99349	KWK99550	TIMKE	99550	L0020048	IAPCO	225225
KWK99243	TIMKE	99243	KWK99350	TIMKE	99350	KWK99552	TIMKE	99552	L0020050	IAPCO	222540
KWK99244	TIMKE	99244	KWK99351	TIMKE	99351	KWK99560	TIMKE	99560	L0020051	IAPCO	224025
KWK99248	TIMKE	99248	KWK99352	TIMKE	99352	KWK99562	TIMKE	99562	L0022003	IAPCO	223014
KWK99249	TIMKE	99249	KWK99353	TIMKE	99353	KWK99571	TIMKE	99571	L0022006	IAPCO	223035
KWK99250	TIMKE	99250	KWK99354	TIMKE	99354	KWK99575	TIMKE	99575	L0022013	IAPCO	473230
KWK99251	TIMKE	99251	KWK99356	TIMKE	99356	KWK99587	TIMKE	99587	L0026011	IAPCO	473367
KWK99253	TIMKE	99253	KWK99359	TIMKE	99359	KWK99595	TIMKE	99595	L0026012	IAPCO	3771
KWK99254	TIMKE	99254	KWK99360	TIMKE	99360	KWK99596	TIMKE	99596	L0026014	IAPCO	1990
KWK99256	TIMKE	99256	KWK99362	TIMKE	99362	KWK99599	TIMKE	99599	L0026016	IAPCO	494117
KWK99259	TIMKE	99259	KWK99363	TIMKE	99363	KWK99601	TIMKE	99601	L0026022	IAPCO	1943
KWK99260	TIMKE	99260	KWK99364	TIMKE	99364	KWK99605	TIMKE	99605	L0034002	IAPCO	473812
KWK99261	TIMKE	99261	KWK99365	TIMKE	99365	KWK99606	TIMKE	99606	L0038010	IAPCO	205015
KWK99262	TIMKE	99262	KWK99366	TIMKE	99366	KWK99620	TIMKE	99620	L0038011	IAPCO	473823
KWK99264	TIMKE	99264	KWK99367	TIMKE	99367	KWK99625	TIMKE	99625	L0054003	IAPCO	1960
KWK99266	TIMKE	99266	KWK99368	TIMKE	99368	KWK99630	TIMKE	99630	L0058003	IAPCO	1984
KWK99267	TIMKE	99267	KWK99369	TIMKE	99369	KWK99640	TIMKE	99640	L0058015	IAPCO	224015
KWK99269	TIMKE	99269	KWK99372	TIMKE	99372	KWK99650	TIMKE	99650	L0061001	IAPCO	224015
KWK99272	TIMKE	99272	KWK99374	TIMKE	99374	KWK99675	TIMKE	99675	L0061004	IAPCO	227045
KWK99273	TIMKE	99273	KWK99376	TIMKE	99376	KWK99687	TIMKE	99687	L0061005	IAPCO	1950
KWK99274	TIMKE	99274	KWK99386	TIMKE	99386	KWK99700	TIMKE	99700	L0061013	IAPCO	228010
KWK99275	TIMKE	99275	KWK99387	TIMKE	99387	KWK99721	TIMKE	99721	L0061018	IAPCO	1960
KWK99276	TIMKE	99276	KWK99393	TIMKE	99393	KWK99725	TIMKE	99725	L0061019	IAPCO	1956

INTERCHANGE SECTION

COMPETITIVE INTERCHANGES

Mfr No.	Mfr.	National	Mfr No.	Mfr.	National	Mfr No.	Mfr.	National	Mfr No.	Mfr.	National
L0061021	IAPCO	1959	L0020014	IAPCO	1994	L1032	TLSMI	473460	L156	LETN	411253
L0061022	IAPCO	1959	L0020021	IAPCO	224045	L1091	TLSMI	55030	L156	LETN	450099
L0061025	IAPCO	1177	L0020023	IAPCO	1174	L10963	PETTI	415013	L157	LETN	470027
L0061031	IAPCO	1987	L0020036	IAPCO	224270	L10963	PETTI	415995	L157	LETN	471554
L0062003	IAPCO	350823	L0020039	IAPCO	223542	L1110	OLIVE	416271	L158	LETN	471466
L0062003	IAPCO	473454	L0020040	IAPCO	1973	L1139	TLSMI	450365	L1586C	JOHND	240414
L0062014	IAPCO	3393	L0026010	IAPCO	1953	L1139	TLSMI	470898	L159	LETN	415058
L0062021	IAPCO	473234	L0038001	IAPCO	1213N	L11783	PETTI	417554	L16	LETN	415138
L0062022	IAPCO	450301	L0038003	IAPCO	1994	L118973	CASE	411376	L160	LETN	450094
L0062022	IAPCO	472397	L0038004	IAPCO	228020	L118978	CASE	416288	L160	LETN	473462
L0062023	IAPCO	471870	L0038006	IAPCO	227020	L1193N	JOHND	471785	L161	LETN	450083
L0062023	IAPCO	471883	L0038007	IAPCO	1953	L1252	LEROI	416288	L161	LETN	472924
L0062025	IAPCO	470120	L0038009	IAPCO	224820	L126168	CASE	416288	L1624	LETN	415001
L0062025	IAPCO	471224	L0038012	IAPCO	1994	L126169	CASE	411376	L1624	LETN	455001
L0062026	IAPCO	472439	L0040005	IAPCO	1012N	L126169	CASE	455093	L16243	LETN	415001
L0062028	IAPCO	480630	L0040019	IAPCO	224045	L12830	GERL	450083	L16243	LETN	455001
L0062028	IAPCO	480991	L0040023	IAPCO	224045	L12830	GERL	472924	L1625	LETN	450095
L0062030	IAPCO	223535	L0040024	IAPCO	1992	L1295	TLSMI	472560N	L1625	LETN	473464
L0065006	IAPCO	1217	L0046001	IAPCO	1174	L1295	TLSMI	50151S	L1639	LETN	416921
L0065008	IAPCO	473455	L0046002	IAPCO	1174	L13	LETN	415021	L1639	LETN	455011
L0065009	IAPCO	1209	L0046004	IAPCO	224520	L13199	GERL	455022	L164	LETN	415058
L0066007	IAPCO	473238	L0046009	IAPCO	1174	L1326	LETN	415371	L1648	LETN	412119
L0066016	IAPCO	473238	L0046010	IAPCO	225020	L133	LETN	415449	L1648	LETN	450101
L0070001	IAPCO	471192	L0046011	IAPCO	228480	L133	LETN	455147	L16483	LETN	412119
L0070002	IAPCO	472164	L0048007	IAPCO	224045	L1330	JOHND	450183	L16483	LETN	450101
L0070008	IAPCO	473241	L0048008	IAPCO	224252	L1330	JOHND	472179	L165	LETN	470169
L0070013	IAPCO	473228	L0058007	IAPCO	225230	L1330C	JOHND	450183	L165	LETN	473214
L0070013	IAPCO	481837	L0058009	IAPCO	1012N	L1330C	JOHND	472179	L1650	LETN	416229
L0070021	IAPCO	473234	L0058010	IAPCO	225005	L135	LETN	5865	L1661A	LETN	455310
L0071003	IAPCO	228010	L0061002	IAPCO	1180	L1354	LETN	5865	L167	LETN	450115
L0071006	IAPCO	3771	L0061006	IAPCO	1955	L1355	LETN	40389S	L167	LETN	473467
L0080003	IAPCO	3476	L0061007	IAPCO	223840	L136	LETN	416047	L1692	JOHND	473421
L0080004	IAPCO	716102	L0061008	IAPCO	223840	L136	LETN	416332	L170011	PETTI	473243
L0080007	IAPCO	1962	L0061009	IAPCO	227550	L137	LETN	450316	L170012	PETTI	470189
L0080011	IAPCO	1108	L0061012	IAPCO	224820	L137	LETN	472636	L170012	PETTI	471692
L0090002	IAPCO	473179	L0061015	IAPCO	225230	L1391N	JOHND	240733	L170015	PETTI	450143
L1347	LEYLA	614743	L0061016	IAPCO	224820	L14	LETN	415023	L170016	PETTI	473460
L1349	LEYLA	614743	L0061027	IAPCO	226285	L140	LETN	417343	L170019	PETTI	473245
L1359	LEYLA	614743	L0061029	IAPCO	223605	L141	LETN	455151	L17002	PETTI	472394
L1361	LEYLA	614743	L0061030	IAPCO	225110	L1418	JOHND	471763	L170025	PETTI	412027
L1700	LEYLA	357PKG	L0061032	IAPCO	223235	L1419	JOHND	472826	L17004	PETTI	412119
L176	LEYLA	614743	L0062031	IAPCO	224255	L142	LETN	415066	L17004	PETTI	450101
L178	LEYLA	614743	L0065005	IAPCO	224045	L1420	JOHND	450161	L17005	PETTI	410520
L0001002	IAPCO	227040	L0065011	IAPCO	1208	L1420	JOHND	471764	L17005	PETTI	471272
L0004001	IAPCO	224100	L0066001	IAPCO	224045	L1421	JOHND	450065	L17007	PETTI	416888
L0010001	IAPCO	224015	L0066014	IAPCO	224015	L144	LETN	417604	L17007	PETTI	455200
L0010002	IAPCO	1174	L0070007	IAPCO	224820	L1443	OLIVE	410312N	L17008	PETTI	415294
L0010003	IAPCO	1012N	L0070029	IAPCO	1174	L147	AVCO	456105	L17008	PETTI	455294
L0010007	IAPCO	1012N	L0071001	IAPCO	224015	L147	LETN	415302	L173	LETN	481650
L0010012	IAPCO	226020	L0071004	IAPCO	224520	L148	LETN	450030	L175	LETN	471231
L0010013	IAPCO	224820	L0080005	IAPCO	1012N	L148	LETN	474253	L177	LETN	471785
L0016003	IAPCO	1955	L0090003	IAPCO	228480	L149	AVCO	456105	L1787Q	FR-HT	240731
L0016012	IAPCO	224255	L0090004	IAPCO	225020	L15	LETN	416892	L18	LETN	416011
L0016014	IAPCO	225010	L1	LETN	415072	L150	LETN	472144	L18	LETN	417621
L0016015	IAPCO	225110	L10	LETN	55028	L151	LETN	415021	L180	LETN	450194
L0017004	IAPCO	1994	L10190	MWKEL	450066	L153	LETN	412119	L180	LETN	473010
L0017007	IAPCO	228020	L10190	MWKEL	473367	L153	LETN	450101	L181	LETN	450076
L0020007	IAPCO	3771	L10191	MWKEL	473313	L154	LETN	417556	L181	LETN	470334
L0020011	IAPCO	224045	L1025	TLSMI	450133	L1544C	JOHND	472439	L182	LETN	417486
L0020013	IAPCO	1994	L103	LETN	55028	L155	LETN	473461	L1823	JOHND	450389

INTERCHANGE SECTION

COMPETITIVE INTERCHANGES



Mfr No.	Mfr.	National	Mfr No.	Mfr.	National	Mfr No.	Mfr.	National	Mfr No.	Mfr.	National
L1823	JOHND	472492	L287	LETN	415196	L4	LETN	415027	L497878	LAZOR	228005
L1823C	JOHND	470543	L2872	LETN	415196	L4	LETN	455027	L497975	LAZOR	221820
L1823C	JOHND	474272	L2873	LETN	415196	L4003	LETN	415995	L498009	LAZOR	223220
L183	LETN	417498	L29	LETN	416239	L4003	LETN	455013	L498017	LAZOR	1217
L19	LETN	450183	L3	LETN	470163	L43	LETN	450185	L498025	LAZOR	228700
L19	LETN	472179	L3	LETN	471766	L43	LETN	473229	L498041	LAZOR	222020
L193	LETN	415007	L30	LETN	470074	L44	LETN	470565	L498050	LAZOR	223801
L1949N	JOHND	450083	L30	LETN	474265	L46024	LETN	415035	L498069	LAZOR	1953
L1949N	JOHND	472924	L30014	CASE	410867N	L46024	LETN	455035	L498165	LAZOR	710331
L196	LETN	471651	L3002157	BORGW	415303	L46025	LETN	455018	L498173	LAZOR	710332
L197	LETN	416153	L3009C703	BORGW	8160S	L46025	LETN	476470	L498181	LAZOR	710331
L198	LETN	417205	L304	LETN	416666	L46048	LETN	415036	L498221	LAZOR	710310
L2	LETN	415124	L30489	CASE	6988H	L46050	LETN	415090	L498564	LAZOR	229005
L20	LETN	450070	L30659	CASE	8907	L475	LETN	417273	L498572	LAZOR	223800
L20	LETN	472185	L31	LETN	470120	L48	LETN	417538	L498599	LAZOR	1981
L2015N	JOHND	471652	L31	LETN	471224	L496027	LAZOR	1981	L498602	LAZOR	228015
L2029CU	JOHND	4148	L31032	CASE	471554V	L497029	LAZOR	225020	L498653	LAZOR	710310
L2029CU	JOHND	471424	L31035	CASE	476424N	L497037	LAZOR	1994	L498696	LAZOR	223420
L2031	CONTI	470027	L314833	BORGW	410059	L497061	LAZOR	1953	L498700	LAZOR	223605
L2031	CONTI	471554	L314833	BORGW	470380	L497072	LAZOR	1992	L498750	LAZOR	223012
L21096	PETTI	473243	L3197	LETN	415088	L497088	LAZOR	223830	L498777	LAZOR	223420
L2171	PETTI	415645	L3197	LETN	455088	L497118	LAZOR	1994	L498823	LAZOR	223750
L2171	PETTI	455104	L32	LETN	455584	L497126	LAZOR	710318	L498831	LAZOR	229005
L21711	PETTI	450183	L3213122	BORGW	471820	L497150	LAZOR	228005	L498904	LAZOR	228480
L21711	PETTI	472179	L3213507	BORGW	410059	L497169	LAZOR	224465	L498912	LAZOR	710318
L21712	PETTI	450365	L3213507	BORGW	470380	L497177	LAZOR	228005	L498955	LAZOR	710187
L21712	PETTI	470898	L3238	FWD	481864	L497185	LAZOR	224460	L498963	LAZOR	1981
L21715	PETTI	450301	L3257	HU-WR	470120	L497266	LAZOR	227020	L498971	LAZOR	710332
L21715	PETTI	472397	L3257	HU-WR	471224	L497274	LAZOR	228020	L498998	LAZOR	713771
L21717	PETTI	470548	L33034	CASE	416070	L497282	LAZOR	1021V	L499005	LAZOR	228008
L21717	PETTI	470625	L33070	CASE	415003	L497304	LAZOR	228010	L499013	LAZOR	228009
L21720	PETTI	450352	L33070	CASE	415458	L497320	LAZOR	712006	L499102	LAZOR	227235
L21720	PETTI	472164	L3312	LETN	417498	L497380	LAZOR	227045	L499102	LAZOR	228005
L21726	PETTI	450083	L33259	CASE	416125	L497388	LAZOR	227045	L499129	LAZOR	3771
L21726	PETTI	472924	L33282	CASE	473473	L497410	LAZOR	228010	L499137	LAZOR	223018
L2178	PETTI	450316	L34	LETN	417546	L497428	LAZOR	231004	L499145	LAZOR	223750
L2178	PETTI	472636	L34033	CASE	471341N	L497436	LAZOR	3771	L499145	LAZOR	224460
L22	LETN	415938	L3411N	JOHND	471407	L497444	LAZOR	222820	L499153	LAZOR	223750
L2202N	JOHND	455195	L3418	LETN	415034	L497444	LAZOR	710325	L499153	LAZOR	224460
L2202N	JOHND	472157	L3418	LETN	455034	L497452	LAZOR	222743	L499293	LAZOR	712008
L2234C	JOHND	471267	L35	LETN	416865	L497479	LAZOR	223831	L499307	LAZOR	223420
L228187	BORGW	415458	L35250	CASE	413248	L497533	LAZOR	8316	L499315	LAZOR	710271
L228187	BORGW	455003	L3527334	BORGW	240119	L497568	LAZOR	223020	L499390	LAZOR	223802
L228285	BORGW	412119	L3541X	MASSE	450070	L497576	LAZOR	231003	L499420	LAZOR	1989
L228285	BORGW	450101	L3541X	MASSE	472185	L497592	LAZOR	228009	L499447	LAZOR	228015
L228285A	BORGW	412119	L3572B177	BORGW	343185	L497606	LAZOR	224025	L49061	LETN	415047
L228285A	BORGW	450101	L36	LETN	470219	L497622	LAZOR	223340	L497231	LAZOR	228020
L228286	BORGW	40101S	L36	LETN	471649	L497630	LAZOR	223602	L497398	LAZOR	227550
L228287	BORGW	472826	L370501	LETN	416229	L497640	LAZOR	223340	L497401	LAZOR	228010
L23645	PETTI	6270	L3725	LETN	450095	L497649	LAZOR	1038	L5	LETN	411376
L24	LETN	416738	L3725	LETN	473464	L497657	LAZOR	1021V	L5	LETN	455093
L24	LETN	450096	L37255	LETN	450095	L497665	LAZOR	1019	L50	LETN	416476
L25	LETN	470074	L37255	LETN	473464	L497673	LAZOR	224025	L50	LETN	455075
L25	LETN	474265	L3750	LETN	416229	L497681	LAZOR	710060	L50710602	MAZDA	223750
L26	LETN	416107	L37502	LETN	416229	L497690	LAZOR	223235	L51	LETN	471442
L26	LETN	455073	L38	LETN	415227	L497703	LAZOR	1987	L5188	GERL	450070
L27	LETN	416476	L39	LETN	472287	L497738	LAZOR	713771	L5188	GERL	472185
L27	LETN	455075	L3953N	JOHND	471795	L497762	LAZOR	710060	L5259	LETN	416888
L2776	LETN	416891	L3958	LETN	417020	L497770	LAZOR	227235	L5259	LETN	455200
L28	LETN	416229	L3G610602	MAZDA	223750	L497789	LAZOR	228005	L5260	LETN	416239

INTERCHANGE SECTION

COMPETITIVE INTERCHANGES

Mfr No.	Mfr.	National	Mfr No.	Mfr.	National	Mfr No.	Mfr.	National	Mfr No.	Mfr.	National
L5261	LETN	416107	L816205	LAZOR	1987	L817392	LAZOR	226285	L818372	LAZOR	225225
L5261	LETN	455073	L816213	LAZOR	1990	L817414	LAZOR	224210	L818380	LAZOR	224820
L5262	LETN	470059	L816248	LAZOR	1994	L817430	LAZOR	224255	L818399	LAZOR	710194
L5262	LETN	470380	L816256	LAZOR	223542	L817449	LAZOR	224255	L818437	LAZOR	710098
L5263	LETN	415090	L816256	LAZOR	473823	L817465	LAZOR	712551	L818453	LAZOR	1180
L5264	LETN	417247	L816264	LAZOR	222430	L817481	LAZOR	2007N	L818488	LAZOR	5131
L5492	LETN	415379	L816280	LAZOR	1990	L817490	LAZOR	2007N	L818640	LAZOR	1217
L5492	LETN	455379	L816299	LAZOR	712011	L817503	LAZOR	4989	L818747	LAZOR	473234
L5621	LETN	416107	L816302	LAZOR	2025	L817511	LAZOR	710479	L818769	LAZOR	228250
L5621	LETN	455073	L816345	LAZOR	224820	L817538	LAZOR	225650	L818852	LAZOR	710146
L5638	GERL	450115	L816353	LAZOR	1984	L817546	LAZOR	225225	L818860	LAZOR	225650
L5638	GERL	473467	L816361	LAZOR	222745	L817554	LAZOR	1960	L818887	LAZOR	710072
L5754	LETN	415041	L816388	LAZOR	223830	L817570	LAZOR	1949	L818909	LAZOR	1960
L58	LETN	415645	L816426	LAZOR	222050	L817619	LAZOR	223608	L818917	LAZOR	710306
L58	LETN	455104	L816434	LAZOR	710076	L817627	LAZOR	320583	L818925	LAZOR	223240
L6	LETN	415187	L816469	LAZOR	3771	L817643	LAZOR	2025	L818933	LAZOR	226285
L61	LETN	456105	L816477	LAZOR	222540	L817653	LAZOR	1176	L818941	LAZOR	710110
L620	OLIVE	450154	L816493	LAZOR	1981	L817660	LAZOR	1990	L818950	LAZOR	224210
L620	OLIVE	473234	L816507	LAZOR	2016	L817694	LAZOR	3771	L818976	LAZOR	1955
L620	WHITE	473234	L816515	LAZOR	3771	L817708	LAZOR	2025	L818984	LAZOR	710092
L620B	OLIVE	470189	L816531	LAZOR	712011	L817732	LAZOR	1992	L819000	LAZOR	710337
L620B	OLIVE	471692	L816566	LAZOR	1979	L817732	LAZOR	224820	L819305	LAZOR	4990
L63	LETN	412861	L816590	LAZOR	1173	L817759	LAZOR	224820	L819310	LAZOR	224810
L64	LETN	471763	L816604	LAZOR	223830	L817767	LAZOR	224100	L819336	LAZOR	224235
L69102	LETN	455018	L816612	LAZOR	223542	L817775	LAZOR	5695	L819344	LAZOR	1932
L69102	LETN	476470	L816620	LAZOR	1167	L817783	LAZOR	5696	L819387	LAZOR	225082
L69105	LETN	416345	L816647	LAZOR	1974	L817830	LAZOR	223543	L819395	LAZOR	225230
L69105	LETN	455033	L816698	LAZOR	222025	L817848	LAZOR	223608	L819409	LAZOR	710309
L693	OLIVE	412943	L816728	LAZOR	1989	L817864	LAZOR	2016	L819417	LAZOR	710093
L7	LETN	450301	L816736	LAZOR	1981	L817902	LAZOR	223840	L819441	LAZOR	710107
L7	LETN	472397	L816744	LAZOR	1167	L817910	LAZOR	224570	L819450	LAZOR	710128
L70	LETN	415988	L816752	LAZOR	223240	L817929	LAZOR	471845N	L819468	LAZOR	710108
L71	LETN	415072	L816779	LAZOR	1177	L817945	LAZOR	225230	L819476	LAZOR	710072
L73	LETN	471570	L816787	LAZOR	1177	L817961	LAZOR	1960	L819506	LAZOR	710176
L75	LETN	450067	L816795	LAZOR	1177	L817970	LAZOR	1956	L819514	LAZOR	710069
L75	LETN	473228	L816817	LAZOR	1176	L817996	LAZOR	229005	L819557	LAZOR	1174
L76	LETN	450067	L816825	LAZOR	1177	L818003	LAZOR	710316	L819557	LAZOR	710309
L76	LETN	473228	L816850	LAZOR	1959	L818011	LAZOR	223800	L819565	LAZOR	710168
L77	LETN	417487	L816868	LAZOR	414045	L818062	LAZOR	223580	L819581	LAZOR	320603
L77	LETN	455014	L816884	LAZOR	1960	L818070	LAZOR	1981	L819590	LAZOR	224820
L7735502	GMC	340872	L816922	LAZOR	1956	L818097	LAZOR	222742	L819603	LAZOR	225673
L78	LETN	471567	L816930	LAZOR	1196	L818127	LAZOR	222540	L819611	LAZOR	4899
L8	LETN	415991	L816949	LAZOR	494122	L818143	LAZOR	1990	L819620	LAZOR	5700
L8	LETN	455146	L816957	LAZOR	229522	L818151	LAZOR	1987	L819638	LAZOR	1935
L80	LETN	417602	L817015	LAZOR	473367	L818160	LAZOR	223831	L819646	LAZOR	1928
L816000	LAZOR	223240	L817040	LAZOR	1943	L818178	LAZOR	4901	L819654	LAZOR	225230
L816019	LAZOR	223014	L817066	LAZOR	1949	L818194	LAZOR	1126	L819662	LAZOR	4899
L816027	LAZOR	223014	L817082	LAZOR	1992	L818208	LAZOR	1180	L819689	LAZOR	1036
L816035	LAZOR	2506	L817090	LAZOR	225230	L818232	LAZOR	710097	L819697	LAZOR	222830
L816043	LAZOR	471847N	L817112	LAZOR	3771	L818259	LAZOR	710146	L819708	LAZOR	224210
L816060	LAZOR	225110	L817139	LAZOR	4990	L818267	LAZOR	5686	L819719	LAZOR	224045
L816078	LAZOR	2016	L817171	LAZOR	1188	L818275	LAZOR	710398	L819727	LAZOR	710147
L816116	LAZOR	2007N	L817198	LAZOR	1183	L818283	LAZOR	710072	L819727	LAZOR	710161
L816124	LAZOR	350609	L817244	LAZOR	1948	L818291	LAZOR	239201	L819743	LAZOR	494123
L816132	LAZOR	350609	L817279	LAZOR	224015	L818291	LAZOR	4175	L819751	LAZOR	5131
L816140	LAZOR	221207	L817295	LAZOR	225220	L818305	LAZOR	1948	L819760	LAZOR	224510
L816167	LAZOR	473367	L817309	LAZOR	710323	L818313	LAZOR	225650	L819803	LAZOR	225535
L816175	LAZOR	494117	L817317	LAZOR	444116	L818348	LAZOR	229522	L819816	LAZOR	710292
L816183	LAZOR	473812	L817325	LAZOR	1986	L818356	LAZOR	710309	L819829	LAZOR	1955
L816191	LAZOR	1994	L817368	LAZOR	224015	L818364	LAZOR	225875	L819883	LAZOR	4990

INTERCHANGE SECTION

COMPETITIVE INTERCHANGES



Mfr No.	Mfr.	National	Mfr No.	Mfr.	National	Mfr No.	Mfr.	National	Mfr No.	Mfr.	National
L819905	LAZOR	225450	L9578	GERL	473245	LM5	BARRE	203034	M0A127238	MAZDA	2007N
L819913	LAZOR	4989	L9780	LETN	473426	LM664	WHITE	471231	M0A227238	MAZDA	2007N
L812	JOHND	415001	L9791	LETN	471442	LO20	ATP	710643	M0A727238	MAZDA	710218
L812	JOHND	455001	LA09010088	LOKWD	473237	LO21	ATP	4189H	M0A727238A	MAZDA	710218
L812C	JOHND	415001	LA1019	MASSE	450332	LO22	ATP	3622	M103102001	DANA	614743
L812C	JOHND	455001	LA1020	MASSE	470059	LO29	ATP	3404	M103102001	SPICE	614743
L816051	LAZOR	224570	LA1020	MASSE	470380	LO41	ATP	4765	M1037	TW-DI	415085
L816108	LAZOR	1953	LA1139	MASSE	470358	LO42	ATP	4764	M1037	TW-DI	456648
L816221	LAZOR	474133	LA1139	MASSE	473231	LQX100070	ROVER	320348	M104	TW-DI	470027
L816310	LAZOR	2443	LA1233065	MAZDA	710225	LQX100070L	ROVER	320348	M104	TW-DI	471554
L816370	LAZOR	222745	LA1316	MASSE	472658	LR000771	ROVER	710794	M105	TW-DI	473215
L816396	LAZOR	225005	LA1316	MASSE	473197	LR000877	ROVER	710699	M1056	TW-DI	470219
L816400	LAZOR	1012N	LA33560B	FORD	471413	LR000881	ROVER	710774	M1056	TW-DI	471649
L816418	LAZOR	223255	LA33562B	FORD	351267	LR001418	ROVER	710789	M105A	TW-DI	473215
L816442	LAZOR	223830	LA33562B	FORD	471267	LR002906	ROVER	710733	M105TD	CASE	473215
L816450	LAZOR	223840	LA33565A	FORD	471466	LR002906	ROVER	710773	M106	TW-DI	450070
L816582	LAZOR	223542	LA33623A	FORD	6835S	LR023293	ROVER	710780	M106	TW-DI	472185
L816639	LAZOR	224045	LA4961	PETTI	472012	LR025013	ROVER	223750	M107	TW-DI	470077
L816655	LAZOR	224270	LA49610	PETTI	417022	LR043291	ROVER	223750	M107	TW-DI	474281
L816663	LAZOR	224045	LA49611	PETTI	417602	LR1301	PETTI	417316	M109	TW-DI	450094
L816701	LAZOR	222535	LA49612	PETTI	417546	LR1301	PETTI	455004	M109	TW-DI	473462
L816760	LAZOR	223542	LA49619	PETTI	455406	LR1302	PETTI	415991	M10HH137	SPICE	370025A
L816809	LAZOR	223840	LA4963	PETTI	473016	LR1302	PETTI	455146	M10HN101	DANA	614743
L816833	LAZOR	1180	LA4964	PETTI	472439	LUC100220	ROVER	223005	M10HN101	SPICE	614743
L816906	LAZOR	1955	LA4966	PETTI	471442	LUC100220L	ROVER	223005	M10HN102	DANA	614743
L816965	LAZOR	225010	LA4967	PETTI	450117	LUC100290	ROVER	223005	M10HN102	SPICE	614743
L816973	LAZOR	1973	LA4967	PETTI	472572	LUC100290L	ROVER	223005	M10HN158	DANA	614743
L817074	LAZOR	1213N	LA4969	PETTI	417487	LUF000010	ROVER	710822	M10HN158	SPICE	614743
L817155	LAZOR	1973	LA4969	PETTI	455014	LUF000010	ROVER	716484	M110	TW-DI	415001
L817180	LAZOR	1174	LA7246	PETTI	40071S	LUF000020	ROVER	231003	M110	TW-DI	455001
L817252	LAZOR	224820	LC11962	MWKEL	41787S	LUF100530L	ROVER	710127	M111	TW-DI	416288
L817260	LAZOR	1948	LC2P150	GE	470120	LUF100540	ROVER	229005	M1110	OLIVE	415458
L817333	LAZOR	226285	LC2P150	GE	471224	LUF100540L	ROVER	229005	M1110	OLIVE	455003
L817350	LAZOR	1213N	LD10780	MWKEL	474278	LW6M207	CONTI	350954	M1110	WHITE	415458
L817406	LAZOR	223605	LD10780	MWKEL	480356	LW6M207	CONTI	470954	M112	OLIVE	415027
L817520	LAZOR	225110	LD11360	MARMO	415035	LZB1002702	ROVER	224052	M112	OLIVE	455027
L817562	LAZOR	1174	LD11361	MARMO	471750	M1065	BWP	357PKG	M113	TW-DI	415047
L817635	LAZOR	1213N	LD1360	MARMO	417210	M1972	BWP	614743	M1153	TW-DI	410987
L818186	LAZOR	225875	LD21165	MARMO	450117	M1974	BWP	614743	M1153	TW-DI	450103
L818240	LAZOR	1213N	LD21165	MARMO	472572	M1984	BWP	614743	M1154	TW-DI	470163
L82	LETN	415991	LD21361	MARMO	471192	M1986	BWP	614743	M1154	TW-DI	471766
L82	LETN	455146	LD61133	MARMO	471141	M682	BWP	614743	M1160	TW-DI	472144
L83	LETN	415991	LD71368	MARMO	323138	M684	BWP	614743	M1181	TW-DI	455321
L83	LETN	455146	LF0110602	MAZDA	223750	M00083042	FWD	470358	M1182A	TW-DI	455035N
L8477	FWD	416163	LF0111310	MAZDA	710600	M00083042	FWD	473231	M1182C	TW-DI	415035
L851	LETN	416288	LF0111310A	MAZDA	710600	M044032195	LEECE	473016	M1183	TW-DI	45013S
L852	LETN	416288	LF1190A	FORD	203006	M04648608	MITSU	320249	M1189	TW-DI	416891
L9	LETN	417316	LF1190A1	FORD	203006	M04667198	MITSU	320348	M1194	TW-DI	471760
L9	LETN	455004	LF4676A	FORD	5778	M04667322	MITSU	710056	M1206	TW-DI	412943
L90	LETN	416339	LH340442	MIHLE	471801	M04667904	MITSU	710056	M121	TW-DI	415025
L90	LETN	455031	LH340566	MIHLE	470351	M04777086	MITSU	320249	M122	TW-DI	415458
L903	LETN	416339	LH340761	MIHLE	415027	M05427165	MAZDA	710727	M122	TW-DI	455003
L903	LETN	455031	LH340761	MIHLE	455027	M054031763	LEECE	450340	M1226	TW-DI	471763
L9116	GERL	450301	LK5003	PAYEN	710617	M054031769	LEECE	473414	M123	TW-DI	450094
L9116	GERL	472397	LK5005	PAYEN	710600	M054032169	LEECE	40157S	M123	TW-DI	473462
L9117	GERL	470059	LK5006	PAYEN	710848	M054034270	LEECE	450082	M124	TW-DI	413469
L9117	GERL	470380	LK5008	PAYEN	710759	M054034270	LEECE	473238	M126C	TW-DI	415035
L93	LETN	471689	LL247B215HA	FORD	710664	M054073498	LEECE	240733	M126C	TW-DI	455035
L934	JOHND	450083	LM227	WHITE	343185	M05527165	MAZDA	710313	M136	MANT	415035
L934	JOHND	472924	LM337	WHITE	5976S	M07327238	MAZDA	710218	M136	MANT	415953

INTERCHANGE SECTION

COMPETITIVE INTERCHANGES

Mfr No.	Mfr.	National	Mfr No.	Mfr.	National	Mfr No.	Mfr.	National	Mfr No.	Mfr.	National
M1360	TW-DI	415035	M201534	TW-DI	471883	M2421	TW-DI	471413V	M315	TW-DI	455004
M1360	TW-DI	455035	M201535	TW-DI	415984	M2423	TW-DI	415248N	M3161	JA-HE	240457
M136A	PACIF	455035N	M201539	TW-DI	415086N	M24244	DAVEY	450301	M3162	JA-HE	6597S
M136A	TW-DI	455035N	M201539	TW-DI	417487	M24244	DAVEY	472397	M340417R91	IH	410708
M136D	TW-DI	455035N	M201539A	TW-DI	415086N	M24286	DAVEY	450352	M34401	MATHR	39821
M137	OLIVE	415995	M201539A	TW-DI	417487	M24286	DAVEY	472164	M35156R	MATHR	39835
M137	OLIVE	455013	M201576A	PACIF	415991	M24407	DAVEY	410496	M35320R	MATHR	39813
M137	TW-DI	415995V	M201576A	PACIF	415991N	M24469	VICK	416273	M3536	CONST	471887
M137	TW-DI	455995N	M201576A	TW-DI	415991	M2449	TW-DI	415013N	M35753R	MATHR	39302
M138	TW-DI	450085	M201576A	TW-DI	415991N	M2449	TW-DI	415995V	M358	TW-DI	416654
M138	TW-DI	470530	M201589	TW-DI	415984	M2505	TW-DI	240319	M358	TW-DI	455012
M138A	TW-DI	450301	M20231	VICK	450085	M2515	TW-DI	410101N	M35940	MATHR	39715
M138A	TW-DI	472397	M20231	VICK	470530	M2558	TW-DI	410316	M35957R	MATHR	39823
M1443	OLIVE	415483	M21015	VICK	471787	M2558	TW-DI	472636	M35994R	MATHR	55563
M1443	OLIVE	455368	M2130	KEN	410312N	M2580A003	MITSU	221610	M36074R	MATHR	39837
M1462	TW-DI	450154	M2130	TW-DI	410312N	M25931	VICK	415991	M36119R	MATHR	39713
M1462	TW-DI	473234	M21512	FORD	471538	M25931	VICK	415991N	M36386	MATHR	39849
M1510	NORDG	470219	M21512	VICK	471538	M2606A	TW-DI	470954	M36387R	MATHR	39853
M1510	NORDG	471649	M2164	TW-DI	240731	M2609	TW-DI	473010N	M36388R	MATHR	39851
M1523	TW-DI	471571	M2166	TW-DI	415303	M2686B	TW-DI	J1126	M36390	MATHR	39711
M154	MINNM	455336	M2190	TW-DI	100494	M2686C	TW-DI	J1127	M36391R	MATHR	39849
M1585	GRAY	470163	M2190	TW-DI	416470N	M2686D	TW-DI	J1125	M36392R	MATHR	39701
M1585	GRAY	471766	M2190A	TW-DI	476470	M2686F	TW-DI	J1129	M36393R	MATHR	39711
M1585	TW-DI	417191	M2192A	TW-DI	455200N	M2686G	TW-DI	J1128	M36425R	MATHR	39910
M1585A	TW-DI	417191	M2200	TW-DI	417497	M2686H	TW-DI	J1109	M36473R	MATHR	39705
M1585A	TW-DI	455165	M2201	TW-DI	471763	M2686J	TW-DI	J1117	M36476R	MATHR	39703
M16516	FAFNI	353120	M2221	TW-DI	415086N	M2686K	TW-DI	J1136	M36521R	MATHR	39723
M17824	JOHND	204020	M2221	TW-DI	417487	M2686L	TW-DI	J1121	M36689R	MATHR	39887
M17824	JOHND	204505	M2222	TW-DI	340151	M2686M	TW-DI	J1123	M36690R	MATHR	39888
M1804	TW-DI	450519	M22229	IH	471750	M2686N	TW-DI	J1130	M36985R	MATHR	39801
M1804	TW-DI	471271	M2226	NORDG	411245	M2686Q	TW-DI	J1118	M37001	MATHR	39803
M1854A	TW-DI	415142	M2226	NORDG	455096	M2686T	TW-DI	J1134	M37022	MATHR	39958
M1856	TW-DI	415142	M2234	TW-DI	415098N	M2686U	TW-DI	J1122	M37098R	MATHR	39809
M1856A	TW-DI	415142	M2239	TW-DI	417316	M2686V	TW-DI	J1132	M37103R	MATHR	39894
M1868	TW-DI	471413	M2240	TW-DI	415013	M2686X	TW-DI	J1107	M37104R	MATHR	39893
M1875	TW-DI	410825	M2240	TW-DI	415995	M2686Y	TW-DI	J1119	M37269R	MATHR	39956
M1926	TW-DI	471648	M22440	IH	470045	M2686Z	TW-DI	J1105	M37312R	MATHR	39952
M1984	TW-DI	470548	M22440	IH	476838	M2695	TW-DI	416345	M37753R	MATHR	39885
M1984	TW-DI	470625	M2251B	TW-DI	415138	M2701	TW-DI	417605	M37759R	MATHR	39890
M2L117A	BR-WN	470120	M2252	TW-DI	415013N	M2714	TW-DI	475003N	M37760R	MATHR	39889
M2L117A	BR-WN	471224	M2252	TW-DI	415995V	M2716	TW-DI	416666	M37796	MATHR	39861
M200	MINNM	450400	M2257A	TW-DI	415147N	M27180N	JOHND	204029	M37797	MATHR	39869
M201093	TW-DI	471272N	M226	TW-DI	410694	M27180N	JOHND	204507	M37800	MATHR	39865
M201105	TW-DI	240736	M2272A	TW-DI	415963N	M2718D	JOHND	471267	M38308R	MATHR	39719
M201105TD	KEN	240736	M22811	VICK	415991	M2718DM	JOHND	204029	M38756R	MATHR	39925
M201191	TW-DI	456865N	M22811	VICK	455146	M2718DM	JOHND	204507	M38760	MATHR	39886
M201290	TW-DI	450185	M22918	VICK	350954	M2779	TW-DI	455134	M38926R	MATHR	39802
M201290	TW-DI	473229	M22918	VICK	470954	M2800	TW-DI	471271	M38935R	MATHR	39930
M201293	TW-DI	471795	M2295A	TW-DI	450082	M2806	TW-DI	415988	M38936R	MATHR	39920
M201312	TW-DI	450593	M2295A	TW-DI	473238	M2806A	TW-DI	• 475002N	M39044	NATL	39883
M201433	MINNM	40316S	M23172	VICK	470163	M2807	TW-DI	416364	M39089R	MATHR	39805
M201433	TW-DI	40316S	M23172	VICK	471766	M2815	TW-DI	471442	M39157R	MATHR	39804
M201448	TW-DI	417344	M2356	KEN	415389	M2867	TW-DI	472015	M39285	MATHR	39807
M201448	TW-DI	455006	M2356	PACIF	415389	M2876	TW-DI	415304	M39448	MATHR	55563
M201486	TW-DI	417191	M2356	TW-DI	415389	M2876	TW-DI	476470	M401	TW-DI	450084
M201486	TW-DI	455165	M2371	TW-DI	100494	M2966	TW-DI	456865N	M40403	MATHR	380003A
M201518	KEN	415035	M2371	TW-DI	416470N	M305308	GWJ	340120	M40413	MATHR	380001A
M201518	PACIF	415035	M2399	TW-DI	410085N	M305924	GWJ	450867	M40413G	MATHR	370001A
M201518	TW-DI	415035	M2406	TW-DI	100494	M305924	GWJ	470898	M40554	MATHR	380025A
M201534	TW-DI	471870	M2406	TW-DI	416470N	M315	TW-DI	417316	M40676	JOHND	252277

INTERCHANGE SECTION

COMPETITIVE INTERCHANGES



Mfr No.	Mfr.	National	Mfr No.	Mfr.	National	Mfr No.	Mfr.	National	Mfr No.	Mfr.	National
M41050	JOHND	471643	M4634	MUSAS	712011	M74054264	GE	455073	MA525	TW-DI	415995V
M413	TW-DI	411253	M4635	MUSAS	1019	M74054265	GE	455584	MA528	TW-DI	3893V
M413	TW-DI	450099	M4636	MUSAS	223801	M74054266	GE	416239	MA564	TW-DI	455006N
M41453	MATHR	40392	M4642	MUSAS	2012V	M77099	MATHR	39920	MA598	TW-DI	415991
M417	TW-DI	450185	M4643	MUSAS	223420	M805	TW-DI	417191	MA598	TW-DI	455146
M417	TW-DI	473229	M4644	MUSAS	223012	M805	TW-DI	455165	MA623	TW-DI	415725
M417TD	CASE	450185	M4645	MUSAS	1019	M806	TW-DI	455018	MA659	TW-DI	100495
M417TD	CASE	473229	M4646	MUSAS	2012V	M806	TW-DI	476470	MA659	TW-DI	415281N
M42	TMTR	450083	M4647	MUSAS	710218	M848	TW-DI	455026	MA738	TW-DI	473010N
M42	TMTR	472924	M4648	MUSAS	228250	M849	TW-DI	416125	MA744	TW-DI	456865N
M42015	IH	473426	M4649	MUSAS	710323	M862835	MITSU	716102	MA745	TW-DI	415984
M4209	CONST	41264S	M4653	MUSAS	350609	M86688	IH	471192	MA764	TW-DI	471341
M42523	IH	471827	M4657	MUSAS	710264	M86690	IH	450070	MA778	TW-DI	471466V
M436	HUME	200354	M4664	MUSAS	710886	M86690	IH	472185	MA798	TW-DI	415983N
M440	GRAY	412473	M49123	JOHND	470163	M90620020P	NISSA	710195	MB176746	MITSU	229522
M440	GRAY	415894	M49123	JOHND	471766	M979	MINNM	455018	MB242822	MITSU	710338
M440	TW-DI	415164N	M4K5438	CATER	473244	M979	MINNM	476470	MB584604	MITSU	710338
M446	TW-DI	476424N	M4X4047	CATER	470487N	MA125844	MITSU	1196	MB00133065	KIA	4990
M44888	JOHND	470567	M4X4051	CATER	471419	MA0227165	MAZDA	710727	MB00133065A	KIA	4990
M44888	JOHND	471267	M4X4051	CATER	473367	MA0227165A	MAZDA	710727	MB001115	MITSU	224210
M4504	MUSAS	710313	M50149A	BR-WN	450083	MA0227238	MAZDA	710396	MB001170	CHRY	471847N
M4508	MUSAS	223255	M50149A	BR-WN	472924	MA0227238A	MAZDA	710396	MB001170	MITSU	471847N
M4509	MUSAS	1213N	M502173	MAZDA	223801	MA103220	CHRY	471847N	MB001314	MITSU	224510
M4510	MUSAS	228020	M50217335	MAZDA	223801	MA103220	MITSU	471847N	MB002074	CHRY	494122
M4515	MUSAS	1990	M50217335A	MAZDA	223801	MA103453	CHRY	471076	MB002074	MITSU	494122
M4519	MUSAS	710320	M50217335S	MAZDA	223801	MA103453	MITSU	471076	MB076351	CHRY	221830
M4521	MUSAS	224020	M50417335	MAZDA	224255	MA103454	CHRY	221720	MB076351	MITSU	221830
M4525	MUSAS	710320	M50717335	MAZDA	710818	MA103454	MITSU	221720	MB09233067	KIA	710323
M4534	MUSAS	710311	M50717335A	MAZDA	710818	MA125844	CHRY	1196	MB092145	CHRY	224255
M4539	MUSAS	710323	M552	TW-DI	415449	MA125949	CHRY	224210	MB092145	MITSU	224255
M4540	MUSAS	4990	M552	TW-DI	455147	MA125949	MITSU	224210	MB092186	CHRY	224100
M4542	MUSAS	710396	M552A	TW-DI	415147N	MA125991	MITSU	1955	MB092186	MITSU	224100
M4546	MUSAS	227020	M5610	BARTL	471192	MA181498	CHRY	225010	MB092288	CHRY	4989
M4549	MUSAS	473823	M5621	BARTL	471651	MA181498	MITSU	225010	MB092288	MITSU	4989
M4550	MUSAS	1994	M581	FORD	481568	MA183	TW-DI	415294	MB092296	CHRY	224255
M4552	MUSAS	224255	M5S432B384AA	FORD	100944	MA183	TW-DI	455294	MB092296	MITSU	224255
M4556	MUSAS	222430	M600K253	CONTI	470027	MA188	TW-DI	455200N	MB092436	CHRY	710479
M4561	MUSAS	225225	M600K253	CONTI	471554	MA188A	TW-DI	416888	MB092436	MITSU	710479
M4563	MUSAS	710223	M600K257	CONTI	470219	MA188A	TW-DI	455200	MB092437	CHRY	225010
M4564	MUSAS	1126	M600K257	CONTI	471649	MA210	TW-DI	415086N	MB092437	MITSU	225010
M4565	MUSAS	225530	M600L214	CONTI	412119	MA210	TW-DI	417487	MB092527	CHRY	223550
M4570	MUSAS	223420	M600L214	CONTI	450101	MA257	TW-DI	475368N	MB092527	MITSU	223550
M4571	MUSAS	229010	M60478	ALLCH	471689	MA273	TW-DI	417605	MB092620	MITSU	223542
M4572	MUSAS	8316	M605	TW-DI	450183	MA287	TW-DI	410085N	MB092713	MITSU	710401
M4604	MUSAS	710323	M605	TW-DI	472179	MA297	TW-DI	415013N	MB109057	MITSU	229522
M4609	MUSAS	1973	M605A	TW-DI	410183N	MA297	TW-DI	415995V	MB160578	CHRY	224255
M4611	MUSAS	710093	M61872	ALLCH	473474	MA306	TW-DI	475012N	MB160578	MITSU	224255
M4612	MUSAS	710094	M61958	JOHND	200851	MA349	TW-DI	471268N	MB160674	MITSU	225875
M4615	MUSAS	1932	M6402	MUSAS	222238	MA349	TW-DI	472258	MB160850	CHRY	710146
M4616	MUSAS	224235	M64107	JOHND	203025	MA372	TW-DI	415991	MB160850	MITSU	710146
M4618	MUSAS	1994	M671	TW-DI	450067	MA372	TW-DI	415991N	MB160852	MITSU	225875
M4619	MUSAS	223012	M671	TW-DI	473228	MA415	TW-DI	415013	MB160946	CHRY	710213
M4620	MUSAS	225220	M6SK136A	BR-WN	410520	MA415	TW-DI	415995	MB160946	MITSU	710213
M4621	MUSAS	494123	M6SK136A	BR-WN	471272	MA416	TW-DI	415304	MB160949	CHRY	224570
M4624	MUSAS	710191	M7041266	MARMO	240735	MA416	TW-DI	476470	MB160949	MITSU	224570
M4627	MUSAS	710150	M74054261	GE	416865	MA439	TW-DI	456865N	MB161152	MITSU	710763
M4628	MUSAS	223550	M74054261	GE	455070	MA470	TW-DI	55301S	MB166194	CHRY	710272
M4630	MUSAS	1990	M74054262	GE	415090	MA472	TW-DI	100494	MB166194	MITSU	710272
M4631	MUSAS	710355	M74054263	GE	417556	MA472	TW-DI	416470N	MB242821	CHRY	710338
M4632	MUSAS	228250	M74054264	GE	416107	MA524	TW-DI	415035V	MB242821	MITSU	710338

INTERCHANGE SECTION

COMPETITIVE INTERCHANGES

Mfr No.	Mfr.	National	Mfr No.	Mfr.	National	Mfr No.	Mfr.	National	Mfr No.	Mfr.	National
MB242821	VILA	710338	MB800115	MITSU	224210	MD050604	MITSU	228005	MD174462	MITSU	224460
MB242822	CHRYSLER	710338	MB808443	CHRYSLER	8430S	MD050605	CHRYSLER	221710	MD174940	CHRYSLER	710767
MB242822	VILA	710338	MB808443	MITSU	8430S	MD050605	MITSU	221710	MD174940	MITSU	710767
MB290013	CHRYSLER	471845N	MB808444	CHRYSLER	4898	MD050606	CHRYSLER	224460	MD177097	MITSU	223010
MB290013	MITSU	471845N	MB808444	MITSU	4898	MD050606	MITSU	224460	MD180183	CHRYSLER	710302
MB290311	MITSU	222860	MB837028	CHRYSLER	710318	MD050608	CHRYSLER	712007	MD180183	MITSU	710302
MB290739	CHRYSLER	225875	MB837028	MITSU	710318	MD050608	MITSU	712007	MD186094	CHRYSLER	710894
MB290739	MITSU	225875	MB837030	CHRYSLER	711027	MD069947	CHRYSLER	228005	MD186094	MITSU	710894
MB297514	CHRYSLER	225875	MB837030	MITSU	711027	MD069947	MITSU	228005	MD2946	MURPHY	470027
MB297514	MITSU	225875	MB837031	CHRYSLER	712551	MD069948	CHRYSLER	221710	MD2946	MURPHY	471554
MB303867	MITSU	225082	MB837031	MITSU	712551	MD069948	MITSU	221710	MD301007	CHRYSLER	223018
MB303875	CHRYSLER	225230	MB936826	CHRYSLER	223014	MD069949	CHRYSLER	224460	MD301007	MITSU	223018
MB303875	MITSU	225230	MB936826	MITSU	223014	MD069950	CHRYSLER	712007	MD318737	MITSU	712001
MB350906	CHRYSLER	223215	MBP0511312	FORD	228250	MD069950	MITSU	712007	MD321819	MITSU	710794
MB350906	MITSU	223215	MBS940	NATL	2377	MD088855	CHRYSLER	223750	MD339026	CHRYSLER	223018
MB393139	CHRYSLER	710396	MC1190A	FORD	6815	MD088855	MITSU	223750	MD339026	MITSU	223018
MB393139	MITSU	710396	MC33587A	FORD	240151	MD090761	CHRYSLER	710302	MD341236	CHRYSLER	710767
MB393719	MITSU	224510	MC4676A	FORD	5778	MD095355	CHRYSLER	222025	MD341236	MITSU	710767
MB393883	MITSU	710151	MC807438	MITSU	710083	MD095355	MITSU	222025	MD343563	CHRYSLER	224460
MB393929	CHRYSLER	471847N	MC808763	MITSU	710423	MD096264	CHRYSLER	222025	MD343563	MITSU	224460
MB393929	MITSU	471847N	MCX212	CLIMX	415937	MD096264	MITSU	222025	MD343563	MOPAR	224460
MB393932	CHRYSLER	710396	MCX213	CLIMX	416865	MD101915	CHRYSLER	710894	MD343564	CHRYSLER	228005
MB393932	MITSU	710396	MCX213	CLIMX	455070	MD101915	MITSU	710894	MD343564	MITSU	228005
MB3C710602A	KIA	710611	MCX214	CLIMX	417487	MD117632N	MITSU	227235	MD343565	CHRYSLER	712007
MB412315	CHRYSLER	481481	MCX214	CLIMX	455014	MD117643	CHRYSLER	227235	MD343565	MITSU	712007
MB412315	MITSU	481481	MCX423	CLIMX	417191	MD117643	MITSU	227235	MD343566	CHRYSLER	221710
MB501649	CHRYSLER	222036	MCX423	CLIMX	455165	MD120699	CHRYSLER	710894	MD343566	MITSU	221710
MB501649	MITSU	222036	MCX733	CLIMX	240733	MD120699	MITSU	710894	MD3488	MURPHY	473446
MB526395	CHRYSLER	225875	MCX74	CLIMX	416654	MD120700	CHRYSLER	223750	MD359158	CHRYSLER	710767
MB526395	MITSU	225875	MCX74	CLIMX	455012	MD120700	MITSU	223750	MD359158	MITSU	710767
MB526680	CHRYSLER	710221	MD069949	MITSU	224460	MD133317	CHRYSLER	3771	MD359158	MOPAR	710767
MB526680	MITSU	710221	MD168056	MITSU	224840	MD133317	MITSU	3771	MD365697	CHRYSLER	222025
MB526680	MOPAR	710221	MD2341	MURPHY	J1141	MD1462	MURPHY	450593	MD365697	MITSU	222025
MB553349	CHRYSLER	710272	MD4059	MURPHY	415074	MD150161	CHRYSLER	710767	MD372248	CHRYSLER	223018
MB553349	MITSU	710272	MD000248	CHRYSLER	227235	MD150161	MITSU	710767	MD372248	MITSU	223018
MB569924	CHRYSLER	710207	MD000248	MITSU	227235	MD150785	CHRYSLER	710302	MD372249	CHRYSLER	223750
MB569924	MITSU	710207	MD000254	MITSU	224465	MD150785	MITSU	710302	MD372249	MITSU	223750
MB569925	CHRYSLER	710208	MD008762	CHRYSLER	3771	MD15127	MURPHY	473414	MD372249	MOPAR	223750
MB569925	MITSU	710208	MD008762	MITSU	3771	MD151463	MITSU	222820	MD372250	MITSU	227235
MB573309	CHRYSLER	225450	MD008882	CHRYSLER	224460	MD152603	CHRYSLER	223010	MD372251	MITSU	710894
MB573309	MITSU	225450	MD008882	MITSU	224460	MD152603	MITSU	223010	MD372536	CHRYSLER	3771
MB584601	CHRYSLER	710338	MD008883	CHRYSLER	222820	MD153103	CHRYSLER	3771	MD372536	MITSU	3771
MB584601	MITSU	710338	MD008883	MITSU	222820	MD153103	MITSU	3771	MD372536	MOPAR	3771
MB584601	VILA	710338	MD008885	MITSU	227235	MD153104	CHRYSLER	223018	MD4044	MURPHY	471472
MB584745	CHRYSLER	494122	MD009038	CHRYSLER	221710	MD153104	MITSU	223018	MD4066	MURPHY	416271
MB584745	MITSU	494122	MD009038	MITSU	221710	MD16239	MURPHY	471570	MD505608	CHRYSLER	712007
MB620515	CHRYSLER	224874	MD016310	MITSU	3771	MD168005	MITSU	223750	MD505608	MITSU	712007
MB620515	MITSU	224874	MD016549	CHRYSLER	227235	MD168055	CHRYSLER	223750	MD5120	MURPHY	416339
MB633432	CHRYSLER	710182	MD016549	MITSU	227235	MD168055	MITSU	223750	MD5120	MURPHY	455031
MB633432	MITSU	710182	MD020240	CHRYSLER	228005	MD168055	MOPAR	223750	MD610203	CHRYSLER	2025
MB633434	CHRYSLER	710183	MD020240	MITSU	228005	MD168057	CHRYSLER	222025	MD630019	CHRYSLER	710747
MB633434	MITSU	710183	MD020308	MITSU	224840	MD168057	MITSU	222025	MD630019	MITSU	710747
MB633944	CHRYSLER	229522	MD020435	CHRYSLER	228005	MD168058	CHRYSLER	221710	MD701430	CHRYSLER	710317
MB633944	MITSU	229522	MD020435	MITSU	228005	MD168058	MITSU	221710	MD701430	MITSU	710317
MB636433	CHRYSLER	221620	MD030782	MITSU	712001	MD168059	MITSU	712007	MD701721	CHRYSLER	710222
MB636433	MITSU	221620	MD030789	CHRYSLER	712001	MD168060	CHRYSLER	222820	MD701721	MITSU	710222
MB664285	CHRYSLER	224570	MD030789	MITSU	712001	MD168060	MITSU	222820	MD701732	CHRYSLER	223240
MB664285	MITSU	224570	MD031837	CHRYSLER	223018	MD168061	CHRYSLER	224460	MD701732	MITSU	223240
MB664612	MITSU	710437	MD041012	MITSU	712007	MD168061	MITSU	224460	MD701735	CHRYSLER	712007
MB703743	MITSU	223608	MD050604	CHRYSLER	228005	MD174462	CHRYSLER	224460	MD701735	MITSU	712007

INTERCHANGE SECTION

COMPETITIVE INTERCHANGES



Mfr No.	Mfr.	National	Mfr No.	Mfr.	National	Mfr No.	Mfr.	National	Mfr No.	Mfr.	National
MD701782	CHRY	710317	MER0104	MERIX	370031A	MO8	ATP	713771	MX49867	JOHND	415035
MD701782	MITSU	710317	MER0112	MERIX	370023A	MO9	ATP	710196	MX49867	JOHND	455035
MD703735	CHRY	223014	MER0113	MERIX	370036A	MO54032189	LEECE	471192	MX50069	JOHND	450085
MD703735	MITSU	223014	MER0123	MERIX	370065A	MO54034270	LEECE	473238	MX50069	JOHND	470530
MD703743	CHRY	223608	MER0136	MERIX	370001A	MO54073498	LEECE	240733	MX51278	JOHND	471192
MD703743	MITSU	223608	MER0143	MERIX	370025A	MOO508562	FWD	415960	MX54694	JOHND	415138
MD705848	MITSU	221610	MER0164	MERIX	370048A	MOO508587	FWD	415147	MX60635	JOHND	471646
MD706433	CHRY	710396	MER0173	MERIX	370003A	MOO508587	FWD	415449	MX60922	JOHND	415138
MD706433	MITSU	710396	MER0203	MERIX	380022A	MOO65943	FWD	455005	MX60935	JOHND	471646
MD707184	CHRY	710396	MER0204	MERIX	380031A	MOO083029	FWD	473448	MX61829	JOHND	471570
MD707184	MITSU	710396	MER0212	MERIX	380023A	MOO083030	FWD	415003	MX61943	JOHND	450070
MD707184	MOPAR	710396	MER0213	MERIX	380036A	MOO083030	FWD	415458	MX61943	JOHND	472185
MD707575	CHRY	320583	MER0223	MERIX	380065A	MOO083031	FWD	415003	MX62601	JOHND	415449
MD707575	MITSU	320583	MER0236	MERIX	380001A	MOO083031	FWD	415458	MX62601	JOHND	455147
MD711769	CHRY	1992	MER0243	MERIX	380025A	MOO083032	FWD	471652	MX62870	JOHND	417344
MD711769	MITSU	1992	MER0264	MERIX	380048A	MOO083037	FWD	417316	MX62870	JOHND	455006
MD712012	CHRY	223608	MER0273	MERIX	380003A	MOO083038	FWD	473243	MX63090	JOHND	415035
MD712012	MITSU	223608	MF00327238A	KIA	2007N	MOO083045	FWD	455080	MX63090	JOHND	455035
MD713758	MITSU	710782	MF00427238	KIA	2007N	MP747	ADAMS	470088	MX73464	JOHND	471570
MD719710	CHRY	710199	MF07013	RACIN	6863S	MQ901105	MITSU	710218	MX87356	JOHND	40169S
MD719710	MITSU	710199	MF091	RACIN	450183	MQ908119	MITSU	224663	MX97713	JOHND	415303
MD723202	CHRY	223014	MF091	RACIN	472179	MR110306	CHRY	710325	MXO1111	COC	455189
MD723202	MITSU	223014	MF4TZ1177B	FORD	370047A	MR110306	MITSU	710325	MXO1187	COC	470712
MD731708	CHRY	224052	MF4TZ1S177B	FORD	370047A	MR145792	CHRY	1992	MXO1189	COC	470712
MD731708	MITSU	224052	MG03026154	KIA	1126	MR145792	MITSU	1992	MXS388	COC	471281
MD731793	CHRY	223014	MG03026154A	KIA	1126	MR580530	CHRY	224570	MXS826	COC	6186
MD731793	MITSU	223014	MH034112	MITSU	1955	MR580530	MITSU	224570	MYS6G6700AA	FORD	711002
MD732405	MITSU	710782	MH034067	CHRY	223230	MR967673	CHRY	320583	N12360	SEALD	712025
MD741818	CHRY	712007	MH034067	MITSU	223230	MR967673	MITSU	320583	N15462	SEALD	4244
MD741818	MITSU	712007	MH034106	MITSU	225020	MR967673	MOPAR	320583	N3094	SEALD	712022
MD741818	MOPAR	712007	MH034110	MITSU	710423	MR983368	CHRY	710317	N3101	SEALD	712021
MD742053	CHRY	710259	MH034146	MITSU	225020	MR983368	MITSU	710317	N4940	SEALD	712019
MD742053	MITSU	710259	MH034147	MITSU	710678	MS20124A	BR-WN	450352	N6229	SEALD	712024
MD746516	CHRY	710781	MH034151	MITSU	1955	MS20124A	BR-WN	472164	N7434	SEALD	712027
MD746516	MITSU	710781	MH60358	ALLCH	472287	MS20149A	BR-WN	455556	N7449	SEALD	712014
MD746742	CHRY	710747	MJAHH101	SPICE	477163N	MS9444A	BR-WN	415187	N8665	SEALD	712015
MD746742	MITSU	710747	MK102	COC	455197N	MT100138	MITSU	710763	N9700	SEALD	712018
MD747546	CHRY	710747	MK1190A	FORD	9150S	MT141132	CHRY	225010	N9805	SEALD	712012
MD747546	MITSU	710747	MK173	COC	6460S	MT141132	MITSU	225010	N9843	SEALD	712016
MD747660	MITSU	710782	MK580530	CHRY	224570	MT141546	MITSU	224210	N9967	SEALD	712013
MD755526	CHRY	710747	MK580530	MITSU	224570	MT203648	CHRY	224570	N10034	SEALD	205005
MD755526	MITSU	710747	MM174160	MURPH	416107	MT203648	MITSU	224570	N10035	SEALD	204005
MD755552	CHRY	710747	MM174160	MURPH	455073	MT2040H27	JA-MI	470682	N10049	SEALD	450593
MD755552	MITSU	710747	MM273336	MURPH	416664	MT2040H27	JAE	470682	N10050	SEALD	450593
MD755904	CHRY	710747	MM273336	MURPH	455364	MT2044S	CASE	470219	N10075	SEALD	471733
MD755904	MITSU	710747	MMI73262	MURRA	450085	MT2044S	CASE	471649	N10096	SEALD	471733
MD758763	MITSU	710747	MMI73262	MURRA	470530	MT2226S	CASE	471354	N10112	SEALD	240462
MD94630X	MURPH	415294	MMI73336	MURRA	416664	MTA2032S	CASE	204038	N10114	SEALD	471744
MD94630X	MURPH	455294	MMI73336	MURRA	455364	MTA2043S	CASE	204002	N10123	SEALD	471760
MD950349	CHRY	480479H	MMI73377	MURRA	417316	MU149A	CHRY	471689	N10124	SEALD	471760
MD950349	MITSU	480479H	MMI73836	MURRA	415035	MU7134A	BR-WN	352541	N10153	SEALD	40157S
MD950716	CHRY	480479H	MMI73836	MURRA	455035	MU7149A	BR-WN	415449	N10158	SEALD	471619
MD950716	MITSU	480479H	MN130496	CHRY	710747	MU7149A	BR-WN	455147	N10181	SEALD	222540
MD955601	CHRY	320583	MN130496	MITSU	710747	MW1381798	MITSU	710729	N10230	SEALD	222655
MD955601	MITSU	320583	MN130498	CHRY	710747	MW2896	WHITE	340797	N10515	SEALD	9376
MDS65	VICK	350679	MN130498	MITSU	710747	MW3277	WHITE	340495	N10566	MID-R	470027
MDS65	VICK	470954	MN132370	CHRY	710747	MW3348	WHITE	350567	N10566	MID-R	471554
ME623281	MITSU	710678	MN132370	MITSU	710747	MW3348	WHITE	471267	N10581	SEALD	450188
ME624211	MITSU	710678	MN980009	MITSU	710618	MW7134A	BR-WN	352541	N10583	SEALD	3732S
MER0103	MERIX	370022A	MO5	ATP	710608	MW92	WHITE	471532	N10598	SEALD	471651

INTERCHANGE SECTION

COMPETITIVE INTERCHANGES

Mfr No.	Mfr.	National	Mfr No.	Mfr.	National	Mfr No.	Mfr.	National	Mfr No.	Mfr.	National
N10627	SEALD	222742	N115080B	FORD	415001	N12384	SEALD	471737	N1307	SEALD	5649
N10640	SEALD	1990	N115080B	FORD	455001	N12386	SEALD	471737	N1308	SEALD	370023A
N10653	SEALD	471705	N11514	SEALD	471707	N12396	SEALD	3199	N13084	SEALD	473421
N10665	SEALD	222745	N11518	SEALD	474260	N12398	SEALD	203012	N13092	SEALD	473211
N10681	SEALD	471705	N11524	SEALD	471736	N12399	SEALD	203012	N13112	SEALD	473212
N10700	SEALD	471735	N11545	SEALD	450161	N12404	SEALD	203029	N13165	SEALD	5131
N10728	SEALD	450342	N11553	SEALD	451182	N12407	SEALD	7781S	N13168	SEALD	5131
N10740	SEALD	471762	N11557	SEALD	473427	N12411	SEALD	204029	N1322	SEALD	5089
N10766	SEALD	473420	N11585	SEALD	472475	N12428	SEALD	471750	N13221	SEALD	473213
N10813	MID-R	470219	N11605	SEALD	1129	N1243	SEALD	5601	N13246	SEALD	2300
N10813	MID-R	471649	N11606	SEALD	223005	N12437	SEALD	7781S	N13350	SEALD	484054
N10919	MID-R	6863S	N11611	SEALD	223010	N1244	SEALD	5602	N13418	SEALD	5124
N10919A	MID-R	471103	N11612	SEALD	223012	N12445	SEALD	471766V	N13419	SEALD	9161
N10919A	MID-R	50197S	N11614	SEALD	223012	N1245	SEALD	5603	N13423	SEALD	223400
N10919B	MID-R	471442	N11615	SEALD	223014	N12456	SEALD	471766	N13425	SEALD	223420
N10919C	MID-R	6863S	N11617	SEALD	1981	N12458	SEALD	470163	N13426	SEALD	223420
N10927	SEALD	710119	N11622	SEALD	1981	N12481	SEALD	40652S	N13437	SEALD	473436
N10930	SEALD	222820	N11625	SEALD	223020	N12508	SEALD	41787S	N13439	SEALD	710110
N10931	SEALD	712008	N1162C	EATON	416294	N12545	SEALD	471795	N13441	SEALD	710110
N10932	SEALD	222820	N11640	SEALD	223035	N12551	SEALD	471795	N13445	SEALD	473812
N10935	SEALD	712008	N11655	SEALD	3907	N12565	SEALD	471795	N13452	SEALD	2007N
N10937	SEALD	222835	N11700	SEALD	483488	N12577	SEALD	471801	N13478	SEALD	710109
N10938	SEALD	222835	N11702	SEALD	710065	N12590	SEALD	8293S	N13492	SEALD	8594S
N10957	SEALD	222860	N11730	SEALD	470328	N12613	SEALD	471808	N13500	SEALD	8133S
N10981	MID-R	471192	N11733	SEALD	9487	N12614	SEALD	471808	N13508	SEALD	8549S
N10981D	MID-R	471224	N11734	SEALD	473203	N12621	SEALD	471818	N13527	SEALD	2443
N109913	JOHND	473214	N11740	SEALD	473425	N12631	SEALD	471407	N13529	SEALD	340853
N11050	SEALD	340835	N11764	SEALD	472475	N12637	SEALD	471833	N13533	SEALD	6597S
N11055	SEALD	313842	N11776	SEALD	473426	N12670	SEALD	470806	N13534	SEALD	330663
N11060	SEALD	340815	N11777	SEALD	473426	N12685	SEALD	8429S	N13535	SEALD	330663
N11061	SEALD	1037	N11801	SEALD	471765	N12700	SEALD	223215	N13537	SEALD	323138
N11065	SEALD	240151	N11836	SEALD	40162S	N12705	SEALD	223220	N13543	SEALD	40395
N11066	SEALD	50151S	N11846	SEALD	40576S	N12706	SEALD	223220	N13545	SEALD	40395
N11067	SEALD	352560	N11878	SEALD	471354	N12718	SEALD	223235	N13548	SEALD	40395
N11079	SEALD	3638	N11907	SEALD	473205	N12719	SEALD	223235	N13552	SEALD	1987
N11081	SEALD	340151	N11930	SEALD	472432	N12730	SEALD	3476	N13557	SEALD	482163N
N11086	SEALD	222820	N1200	SEALD	5460	N12731	SEALD	471413	N13562	SEALD	5872S
N11111	SEALD	3638	N1206	SEALD	370024A	N12735	SEALD	223240	N13568	SEALD	480570
N11123	SEALD	482208	N1208	SEALD	370005A	N12736	SEALD	223240	N13569	SEALD	472258
N11124	SEALD	471652	N1211	SEALD	5481	N12741	SEALD	710164	N13571	SEALD	5872S
N11130	SEALD	471652	N12121	SEALD	203016	N12745	SEALD	223255	N13573	SEALD	40522S
N11136	SEALD	1989	N12124	SEALD	203025	N12746	SEALD	223252	N13585	SEALD	470403
N11138	SEALD	470189	N1214	SEALD	370024A	N12747	SEALD	223253	N13596	SEALD	6760S
N11150	SEALD	471692	N1219	SEALD	370009A	N12785	SEALD	471845N	N13598	SEALD	51322
N11161	SEALD	204505	N12250	SEALD	710172	N128	CASE	450185	N136	BUTBN	472179
N11164	SEALD	204020	N12301	SEALD	710332	N128	CASE	473229	N13602	SEALD	472287
N11170	SEALD	470045	N12325	SEALD	251511	N12810	SEALD	710070	N13650	SEALD	471192
N11171	SEALD	470045	N12329	SEALD	251511	N12830	SEALD	473424	N13662	SEALD	450154
N11223	SEALD	470712	N12330	SEALD	343186	N12886	SEALD	223340	N13668	SEALD	3543
N11269	SEALD	203003	N12334	SEALD	240356	N12905	SEALD	471193N	N13671	SEALD	473214
N11284	SEALD	6832S	N12335	SEALD	473135V	N12925	SEALD	710043	N13676	SEALD	473214
N11299	SEALD	472674	N12336	SEALD	6859S	N12948	MID-R	471192	N13685	SEALD	2655
N11340	SEALD	471763	N12337	SEALD	473135V	N13005	SEALD	710124	N13689	SEALD	40169S
N11343	SEALD	471763	N12340	SEALD	471413V	N13021	SEALD	6370N	N137	BUTBN	417205
N11352	SEALD	472644	N12343	SEALD	471413V	N13027	SEALD	473423	N137	NORDG	450188
N11365	SEALD	471785	N12355	SEALD	7412S	N1303	SEALD	5666	N13700	SEALD	9569S
N11372	SEALD	481792	N12361	SEALD	40140S	N13050	SEALD	472826	N13710	SEALD	42763
N11378	SEALD	450604	N12363	SEALD	7412S	N1306	SEALD	370046A	N13711	SEALD	204027
N11392	SEALD	472681	N12364	SEALD	471413	N13060	SEALD	472826	N13738	SEALD	9568
N11431	MID-R	50327	N12369	SEALD	40140S	N130664	JOHND	40140S	N13739	SEALD	3116N

INTERCHANGE SECTION

COMPETITIVE INTERCHANGES



Mfr No.	Mfr. National	Mfr No.	Mfr. National	Mfr No.	Mfr. National	Mfr No.	Mfr. National
N13758	SEALD 43089S	N14423	SEALD 471862	N151	BUTBN 471567	N15835	SEALD 3459
N13797	SEALD 6241S	N14641	SEALD 473438	N15141	SEALD 51098	N15836	SEALD 3459
N13810	SEALD 471276	N14695	SEALD 223805	N15142	SEALD 51098	N15841	SEALD 710147
N13839	SEALD 7687S	N14703	SEALD 223801	N15174	SEALD 200861	N15845	SEALD 224045
N13857	SEALD 1987	N14704	SEALD 1174	N15176	SEALD 410190	N15846	SEALD 710196
N13865	SEALD 471835	N14705	SEALD 1174	N15190	SEALD 41461S	N15850	SEALD 224100
N13875	SEALD 473258	N14706	SEALD 1174	N15194	SEALD 451857	N15862	SEALD 2011
N13876	SEALD 473258	N14708	SEALD 1174	N15204	SEALD 450984	N15863	SEALD 474133
N13878	SEALD 471847N	N14710	SEALD 239146	N15207	SEALD 470487N	N15866	SEALD 1036
N13892	SEALD 450776	N14720	SEALD 223830	N15214	SEALD 473440	N15867	SEALD 1146
N13900	SEALD 450456	N14721	SEALD 223831	N15230	SEALD 470077	N15900	SEALD 4141
N13911	SEALD 710076	N14730	SEALD 223840	N15234	SEALD 471915	N15955	SEALD 450065
N13918	SEALD 473197	N14731	SEALD 223840	N15240	SEALD 450326	N15960	SEALD 482253
N13920	SEALD 473197	N14732	SEALD 223842	N15270	SEALD 710247	N16032	SEALD 1950
N13939	SEALD 1172	N14738	SEALD 1038	N15305	SEALD 8610	N16034	SEALD 1180
N13941	SEALD 710051	N14740	SEALD 223843	N15306	SEALD 8611N	N16036	SEALD 1180
N13942	SEALD 1108	N14750	SEALD 1176	N15310	SEALD 710123	N16040	SEALD 8477S
N13943	SEALD 3771	N14767	SEALD 1177	N15312	SEALD 710122	N16044	SEALD 8835S
N13944	SEALD 223520	N14768	SEALD 1177	N15330	SEALD 452222	N16046	SEALD 473694
N13946	SEALD 713771	N14775	SEALD 3357	N15374	SEALD 8610	N16047	SEALD 472419
N13947	SEALD 3655	N14780	SEALD 8597S	N15376	SEALD 8940S	N16054	SEALD 481181
N13949	SEALD 223535	N14789	SEALD 482415	N15440	SEALD 710046	N16055	SEALD 5778
N13953	SEALD 4040N	N148	BUTBN 471689	N15450	SEALD 472635	N16061	SEALD 1999
N13954	SEALD 223542	N14807	SEALD 253099	N15460	SEALD 8695S	N16062	SEALD 473230
N13955	SEALD 9344S	N14810	SEALD 343099	N15506	SEALD 330749V	N16064	SEALD 204017
N13956	SEALD 8676S	N14816	SEALD 42260S	N15508	SEALD 8421S	N16069	SEALD 204017
N13959	SEALD 710096	N14832	SEALD 452554N	N15509	SEALD 7994S	N16072	SEALD 470358
N13961	SEALD 223543	N14840	SEALD 443018	N15517	SEALD 473517	N16079	SEALD 470358
N13962	SEALD 2007N	N14846	SEALD 6759S	N15518	SEALD 39711	N16084	SEALD 473231
N13963	SEALD 223540	N14848	SEALD 3677	N15522	SEALD 472213	N16117	SEALD 471419
N13969	SEALD 4901	N14855	SEALD 481163	N15535	SEALD 8935S	N16118	SEALD 471419
N13973	SEALD 471847N	N14857	SEALD 240319	N15542	SEALD 472299	N16146	SEALD 4762N
N13974	SEALD 223580	N14858	SEALD 472466	N15543	SEALD 472299	N16173	SEALD 450066
N13976	SEALD 223580	N14863	SEALD 7537S	N15544	SEALD 40438S	N16180	SEALD 471829
N13978	SEALD 1173	N14876	SEALD 473227	N15546	SEALD 2506	N16189	SEALD 471829
N13981	SEALD 1147	N14887	SEALD 473227V	N15557	SEALD 450666	N16201	SEALD 471829
N13985	SEALD 3214	N14903	SEALD 480844	N15592	SEALD 471821	N16245	SEALD 473010
N13990	SEALD 8660S	N14907	SEALD 50468	N15620	SEALD 8160S	N16246	SEALD 473010
N13992	SEALD 8660S	N14935	SEALD 331228H	N15635	SEALD 450185	N16247	SEALD 473010N
N14008	SEALD 223602	N14938	SEALD 470625	N15655	SEALD 473229	N16254	SEALD 473010
N14009	SEALD 223605	N14939	SEALD 5115	N15677	SEALD 450143	N16284	SEALD 291099
N14016	SEALD 223608	N14940	SEALD 331228H	N15692	SEALD 470682	N16286	SEALD 200641
N14017	SEALD 223608	N14960	SEALD 340136	N15699	SEALD 470682	N16289	SEALD 291099
N14030	SEALD 2003N	N14966	SEALD 340136	N15707	SEALD 471316	N16314	SEALD 473232
N14040	SEALD 474288	N14968	SEALD 9363S	N15730	SEALD 5796	N16315	SEALD 473232
N14045	SEALD 1965	N14970	SEALD 200859	N15746	SEALD 473677	N16322	SEALD 40568S
N14046	SEALD 1965	N14972	SEALD 203013	N15750	SEALD 3459	N16337	SEALD 481864
N14050	SEALD 4989	N14974	SEALD 204013	N15761	SEALD 473441	N16362	SEALD 40286
N14055	SEALD 710057	N14975	SEALD 204013	N15766	SEALD 450273	N16364	SEALD 473443
N14214	SEALD 3395	N14978	SEALD 7692S	N15773	SEALD 473442	N16406	SEALD 473444
N14223	SEALD 473224	N14994	SEALD 470380V	N15779	SEALD 5778	N16422	SEALD 450539
N14247	SEALD 473016	N15004	SEALD 470380	N15788	SEALD 5778	N16440	SEALD 450467
N14262	SEALD 473016	N15005	SEALD 470380	N15802	SEALD 4175	N16502	SEALD 224210
N14282	SEALD 473225	N15032	SEALD 40059S	N15803	SEALD 1217	N16505	SEALD 494117
N14283	SEALD 473225	N15039	SEALD 470059	N15805	SEALD 224015	N16506	SEALD 494117
N14357	CASE 40169S	N15041	SEALD 9613S	N15807	SEALD 1213N	N16507	SEALD 3051N
N14363	SEALD 470062	N15076	SEALD 471820	N15810	SEALD 1213N	N16508	SEALD 710097
N14381	SEALD 4795V	N15080	SEALD 40063S	N15820	SEALD 473677	N16511	SEALD 224215
N14383	SEALD 473226	N15092	SEALD 471344	N15825	SEALD 712551	N16515	SEALD 1953
N144	SEALD 710163	N15093	SEALD 471344	N15826	SEALD 224026	N16517	SEALD 2025

INTERCHANGE SECTION

COMPETITIVE INTERCHANGES

Mfr No.	Mfr. National	Mfr No.	Mfr. National	Mfr No.	Mfr. National	Mfr No.	Mfr. National
N16519	SEALD 224250	N17285	SEALD 470351	N17783	SEALD 1979	N18657	SEALD 450117
N16523	SEALD 224250	N17286	SEALD 6936S	N17787	SEALD 714075	N18658	SEALD 472572
N16525	SEALD 224255	N17310	SEALD 43071S	N17806	SEALD 321460	N18659	SEALD 42421S
N16527	SEALD 224255	N17315	SEALD 471831	N17810	SEALD 452742	N18662	SEALD 3946
N16542	SEALD 710179	N17340	SEALD 471831	N17815	SEALD 7607	N18671	SEALD 6712NA
N16545	SEALD 7457N	N17359	SEALD 471831	N17821	SEALD 50266	N18676	SEALD 473179
N16555	SEALD 224270	N17386	SEALD 450494	N17832	SEALD 450269	N18679	SEALD 6712NA
N16556	SEALD 450073	N17387	SEALD 472164	N17836	SEALD 6781	N18690	SEALD 6460S
N16559	SEALD 452086	N17390	SEALD 7834	N17847	SEALD 450285	N18691	SEALD 6712NA
N16599	SEALD 4099	N17392	SEALD 7834	N17849	SEALD 4072N	N18692	SEALD 6712NA
N16650	SEALD 353141	N17399	SEALD 451147H	N17909	SEALD 444116	N18693	SEALD 414045
N16657	SEALD 473317	N17404	SEALD 450361	N1800303	SPICE J1130	N18695	SEALD 414045
N16659	SEALD 7022S	N17406	SEALD 203015	N1800303	VIC J1130	N18697	SEALD 5699
N16667	SEALD 204008	N17413	SEALD 470361	N18009	SEALD 4249	N187	SEALD 5092
N16679	SEALD 473445	N17415	SEALD 204502	N18014	SEALD 224663	N18708	SEALD 5126
N16680	SEALD 473445	N17442	SEALD 450070	N18039	SEALD 451817	N18710	SEALD 2689S
N16692	SEALD 480479H	N17443	SEALD 472185	N18047	SEALD 203006	N18731	SEALD 9912
N16696	SEALD 480479H	N17444	SEALD 4950	N18049	SEALD 5133	N18732	SEALD 483238V
N16719	SEALD 473234	N17458	SEALD 4950	N18050	SEALD 203006	N18733	SEALD 450082
N16725	SEALD 7300S	N17484	SEALD 470334	N18055	SEALD 44053	N18734	SEALD 473238
N16735	SEALD 712146	N17488	SEALD 204038	N18100	SEALD 8181NA	N18750	SEALD 473238
N16743	SEALD 40154S	N17523	SEALD 472179	N18104	SEALD 472070	N18765	SEALD 5697
N16747	SEALD 2146	N17544	SEALD 472179	N18127	SEALD 7186S	N18772	SEALD 6064
N16757	SEALD 9178S	N17557	SEALD 472179	N18149	SEALD 7600S	N18785	SEALD 450084
N16805	SEALD 8516N	N17599	SEALD 5827	N18159	SEALD 473449	N18808	SEALD 203034
N16811	SEALD 440265	N17605	SEALD 473447	N1816046C2	IH 3894V	N18817	SEALD 473239
N16816	SEALD 473235	N17617	SEALD 204038	N18190	SEALD 3604	N18818	SEALD 8165
N16818	SEALD 200886	N17618	SEALD 200354	N18242	SEALD 473450	N18823	SEALD 473239
N16820	SEALD 7381S	N17620	SEALD 200600	N18250	SEALD 473450	N18833	SEALD 7044NA
N16842	SEALD 470074	N17624	SEALD 712260	N18264	SEALD 7044NA	N18872	SEALD 473457
N16854	SEALD 450765	N17645	SEALD 471141	N18276	SEALD 6930	N18881	SEALD 3195
N16871	SEALD 7038SA	N17653	SEALD 471141	N18408	SEALD 291295	N18888	SEALD 6808N
N16897	SEALD 320583	N17671	SEALD 471141	N18415	SEALD 6960	N18891	SEALD 9316
N16900	SEALD 473236	N17674	SEALD 6949S	N18425	SEALD 473451	N18899	SEALD 473458
N16901	SEALD 3622	N17678	SEALD 473448	N18444	SEALD 470331N	N18912	SEALD 7216
N16945	SEALD 8516N	N17693	SEALD 473448	N18450	SEALD 1949	N18916	SEALD 410524
N16960	SEALD 470596	N17695	SEALD 473448	N18465	SEALD 710215	N18922	SEALD 451078
N16999	SEALD 473446	N17699	SEALD 471984	N18490	SEALD 332062	N18962	SEALD 224820
N17035	SEALD 470086	N17702	SEALD 204501	N18492	SEALD 332062	N18963	SEALD 224810
N17037	SEALD 710105	N17707	SEALD 471984	N1851	FORD 471466	N18964	SEALD 1956
N17038	SEALD 470687	N17714	SEALD 710067	N1851	MID-R 471466	N18965	SEALD 1973
N17053	SEALD 3747	N17716	SEALD 473313	N18543	SEALD 7934S	N18970	SEALD 1994
N17100	SEALD 710067	N17718	SEALD 473313	N18544	SEALD 2692	N18971	SEALD 710313
N17106	SEALD 2955	N17722	SEALD 710005	N18545	SEALD 472747	N18972	SEALD 1208
N17110	SEALD 8121S	N17726	SEALD 482267	N18546	SEALD 2692	N18973	SEALD 224872
N17115	SEALD 6840S	N17727	SEALD 6818	N18548	SEALD 2692	N18974	SEALD 224874
N17142	SEALD 224460	N17746	SEALD 470088	N18549	SEALD 353120	N18990	SEALD 9049N
N17145	SEALD 5836	N17750	SEALD 224520	N18550	SEALD 5458	N18992	SEALD 9449
N17146	SEALD 442251	N17751	SEALD 210945	N18551	SEALD 5458	N19000	SEALD 8704S
N17149	SEALD 224462	N17752	SEALD 224520	N18555	SEALD 482041N	N19010	SEALD 5573
N17165	SEALD 350609	N17753	SEALD 710078	N18558	SEALD 340823	N19011	SEALD 470548
N17166	SEALD 350609	N17754	SEALD 1012N	N18559	SEALD 2942	N19012	SEALD 5573
N17187	SEALD 8705S	N17756	SEALD 455536	N18565	SEALD 350823	N191	SEALD 5591
N17190	SEALD 8460N	N17757	SEALD 1992	N18580	SEALD 472439	N19100	SEALD 710148
N17231	SEALD 450400	N17759	SEALD 1992	N18581	SEALD 472439	N19200	SEALD 1936
N17265	SEALD 7486S	N17762	SEALD 1992	N18591	SEALD 40071S	N19210	SEALD 474269
N17270	SEALD 473237	N17767	SEALD 320564	N18592	SEALD 331227H	N19211	SEALD 225010
N17271	SEALD 473237	N17775	SEALD 9845	N18603	SEALD 6985	N19214	SEALD 6815
N17277	SEALD 204503	N17778	SEALD 224570	N18626	SEALD 471868	N19218	SEALD 6815
N17284	SEALD 470351	N17782	SEALD 1979	N18647	SEALD 3946	N19219	SEALD 6815

INTERCHANGE SECTION

COMPETITIVE INTERCHANGES



Mfr No.	Mfr. National	Mfr No.	Mfr. National	Mfr No.	Mfr. National	Mfr No.	Mfr. National
N19220	SEALD 481195	N19831	SEALD 472492	N20450	SEALD 225275	N212	SEALD 5414
N19221	SEALD 6815	N19832	SEALD 472492	N205	SEALD 5108	N2121	MUSAS 224045
N19223	SEALD 9150S	N19834	SEALD 40389S	N20500	SEALD 5696	N21210	SEALD 473468
N19226	SEALD 472319	N19844	SEALD 200881	N20501	SEALD 5700	N21211	SEALD 473468
N19229	SEALD 472319	N19848	SEALD 472653	N20520	SEALD 484064V	N21213	SEALD 410308
N19234	SEALD 3173	N19852	SEALD 331301N	N2053	MUSAS 223230	N21234	SEALD 472016
N19236	SEALD 3173	N19876	SEALD 6163S	N20538	SEALD 5877	N21245	SEALD 410312N
N19237	SEALD 3173	N19880	SEALD 200339	N20554	SEALD 451948	N21265	SEALD 472409
N19240	SEALD 6988H	N19882	SEALD 8998	N20560	SEALD 4162	N21267	SEALD 472409
N19244	SEALD 3173	N19886	SEALD 472924	N20586	SEALD 473466	N21270	SEALD 39302
N19264	SEALD 473241	N19887	SEALD 472924	N20594	SEALD 472012	N213	SEALD 5650
N19267	SEALD 710162	N19896	SEALD 472924	N20599	SEALD 2822V	N21302	SEALD 473243
N19273	SEALD 2043	N199	SEALD 5092	N20608	SEALD 6954S	N21320	SEALD 450867
N19277	SEALD 8622	N19922	SEALD 472082	N2061	MUSAS 2011	N2133	MUSAS 221720
N19300	SEALD 472144	N19938	SEALD 205044	N2062	MUSAS 1173	N21336	SEALD 413469
N19301	SEALD 472144	N19969	SEALD 450085	N2063	MUSAS 1979	N2135	MUSAS 710051
N19314	SEALD 3896	N19970	SEALD 410085	N20659	SEALD 450311	N21352	SEALD 413470
N19350	SEALD 473460	N19992	SEALD 472397	N20669	SEALD 5756	N21353	SEALD 413470
N19359	SEALD 472394	N19993	SEALD 472397	N20674	SEALD 200110	N21358	SEALD 415349
N19360	SEALD 472394	N2000	MUSAS 222820	N20702	SEALD 450096	N2136	MUSAS 222535
N19380	SEALD 473461	N20004	SEALD 450301	N2074	MUSAS 710184	N21379	SEALD 475080N
N19407	SEALD 473462	N20006	SEALD 40301S	N20749	SEALD 450313	N2140	MUSAS 222540
N19449	SEALD 417474	N20044	SEALD 204508	N208	SEALD 5111S	N21400	SEALD 8312
N19500	SEALD 5121	N20045	SEALD 473463	N2084	MUSAS 1173	N21538	SEALD 450621
N19510	SEALD 200371	N20053	SEALD 473463	N2087	MUSAS 1167	N2159	MUSAS 228010
N196	SEALD 5095	N20054	SEALD 473463	N2091	MUSAS 710312	N216	SEALD 5072
N19602	SEALD 225005	N20065	SEALD 5113	N2092	MUSAS 710518	N2160	MUSAS 712006
N19604	SEALD 710098	N2007	MUSAS 710195	N20920	SEALD 41013S	N21620	SEALD 225530
N19605	SEALD 225010	N20070	SEALD 473242	N20952	SEALD 6590S	N2166	MUSAS 224255
N19607	SEALD 473814	N20079	SEALD 412725	N20965	SEALD 40973S	N21736	SEALD 450489
N19608	SEALD 1948	N20098	SEALD 450095	N2097	MUSAS 1973	N21749	SEALD 472234
N19610	SEALD 7751H	N201	SEALD 5118	N20975	SEALD 40973S	N21759	SEALD 472018
N19611	SEALD 225020	N20100	SEALD 473464	N210	SEALD 39807	N21771	SEALD 8974S
N19615	SEALD 450472	N20109	SEALD 412027	N2100	MUSAS 1188	N21775	SEALD 473471
N19626	SEALD 1974	N20118	SEALD 8139	N21041	SEALD 2002	N2178	MUSAS 710316
N19630	SEALD 1960	N20124	SEALD 410102	N2105	MUSAS 1949	N2180	MUSAS 710458
N19641	SEALD 225040	N20125	SEALD 410102	N21055	SEALD 6090S	N21808	SEALD 3095
N19643	SEALD 450474	N20140	SEALD 455253	N21061	SEALD 473204	N21812	SEALD 470354
N19644	SEALD 5695	N20144	SEALD 487945	N21069	SEALD 5589	N21814	SEALD 6636S
N19668	SEALD 225082	N20148	SEALD 204506	N2107	MUSAS 444116	N21820	SEALD 6186
N19730	SEALD 4189H	N20154	SEALD 205044	N21070	SEALD 5589	N21840	SEALD 473245
N19743	SEALD 4148	N20168	SEALD 5329	N21098	SEALD 450867	N2185	MUSAS 222030
N19745	SEALD 352541	N20210	SEALD 225110	N211	SEALD 5117	N2186	MUSAS 223602
N19748	SEALD 40401	N20255	SEALD 472924	N2110	MUSAS 1183	N2187	MUSAS 228009
N19753	SEALD 8871	N2031	MUSAS 223831	N21100	SEALD 470898	N2188	MUSAS 224020
N19754	SEALD 40401	N2035	MUSAS 222820	N21101	SEALD 40566S	N2189	MUSAS 710415
N19757	SEALD 9015S	N2036	MUSAS 222430	N21103	SEALD 6879H	N21890	SEALD 412943
N19760	SEALD 471424	N2038	MUSAS 1981	N21108	SEALD 470898	N21910	SEALD 413472
N19762	SEALD 471424	N204	SEALD 5116	N21110	SEALD 9599S	N21938	SEALD 3103
N19763	SEALD 4148	N2042	MUSAS 2016	N21111	SEALD 9599S	N2195	MUSAS 710598
N19768	SEALD 9406S	N20420	SEALD 4898	N21121	SEALD 42101S	N21950	SEALD 415350
N19773	SEALD 3794	N20421	SEALD 5700	N2113	MUSAS 710556	N21952	SEALD 5604
N19776	SEALD 4148	N20424	SEALD 710190	N21134	SEALD 450115	N21953	SEALD 710171
N19778	SEALD 471870	N20425	SEALD 3087	N21136	SEALD 8650S	N21955	SEALD 2286
N19785	SEALD 470543	N20428	SEALD 4990	N21159	SEALD 8430S	N2199	MUSAS 710406
N19786	SEALD 470543	N2043	MUSAS 225875	N21163	SEALD 472015	N2200	MUSAS 710407
N19799	SEALD 472341	N20430	SEALD 225225	N21164	SEALD 472015	N22005	SEALD 710169
N19803	SEALD 5113	N2044	MUSAS 2016	N21167	SEALD 412015V	N22020	SEALD 225650
N19807	SEALD 331107N	N20440	SEALD 225230	N21171	SEALD 412015V	N22022	SEALD 710069
N19820	SEALD 5685	N2045	MUSAS 710324	N21173	SEALD 472015	N22030	SEALD 4899

INTERCHANGE SECTION

COMPETITIVE INTERCHANGES

Mfr No.	Mfr.	National	Mfr No.	Mfr.	National	Mfr No.	Mfr.	National	Mfr No.	Mfr.	National
N22035	SEALD	710146	N2259	MUSAS	710766	N2341	MUSAS	710479	N24863	SEALD	40555
N2207	MUSAS	221720	N2260	MUSAS	710292	N2342	MUSAS	710397	N24865	SEALD	710027
N2210	MUSAS	223340	N22614	SEALD	3095	N2343	MUSAS	710397	N24875	SEALD	43290S
N2211	MUSAS	228410	N22618	SEALD	415234	N2344	MUSAS	710397	N24880	SEALD	40337S
N2212	MUSAS	223420	N22619	SEALD	415234	N23440	SEALD	226020	N24881	SEALD	472029
N2214	MUSAS	225650	N2262	MUSAS	239146	N23446	SEALD	712006	N24886	SEALD	3942
N2221	MUSAS	710052	N2264	MUSAS	710127	N2345	MUSAS	224052	N24888	SEALD	5109
N2222	MUSAS	223542	N22644	SEALD	55337	N23450	SEALD	4359V	N24889	SEALD	410752
N22225	SEALD	1984	N22647	SEALD	415254	N2348	MUSAS	228410	N24892	SEALD	471271
N2223	MUSAS	1960	N2265	MUSAS	710125	N2350	MUSAS	710356	N24897	SEALD	471271
N22230	SEALD	710072	N22653	SEALD	722250	N2351	MUSAS	228013	N24898	SEALD	471271
N2224	MUSAS	710073	N2266	MUSAS	224052	N2359	MUSAS	710363	N24899	SEALD	471271V
N22306	SEALD	341022	N2267	MUSAS	710108	N23600	SEALD	4359V	N24904	SEALD	442380
N22311	SEALD	722109	N2268	MUSAS	710070	N23631	SEALD	3393	N24910	SEALD	471271
N22325	SEALD	43034S	N2274	MUSAS	710108	N23640	SEALD	41026S	N24911	SEALD	410519
N2233	MUSAS	221730	N2276	MUSAS	710177	N23641	SEALD	3393	N24913	SEALD	471271V
N22338	SEALD	450441	N2277	MUSAS	710434	N23644	SEALD	473474	N24914	SEALD	471271V
N22340	SEALD	471341	N2278	MUSAS	710185	N23646	SEALD	470565	N24917	SEALD	4250
N22353	SEALD	471272	N2279	MUSAS	710071	N23652	SEALD	470565	N24920	SEALD	6785
N22354	SEALD	471272	N2280	MUSAS	710104	N23654	SEALD	470565	N24930	SEALD	410496
N22358	SEALD	410520	N22822	SEALD	225875	N23666	SEALD	473475	N24931	SEALD	410496
N22359	SEALD	410520	N2283	MUSAS	710598	N23685	SEALD	483246N	N24932	SEALD	410496
N22361	SEALD	712250	N22830	SEALD	205035	N23701	SEALD	412119	N24949	SEALD	473274N
N22368	SEALD	40520S	N22835	SEALD	493291	N23702	SEALD	472856	N24951	SEALD	473274
N2237	MUSAS	710405	N2284	MUSAS	710132	N23703	SEALD	410101N	N24954	SEALD	470605
N22385	SEALD	473473	N2285	MUSAS	710133	N23708	SEALD	412119	N24960	SEALD	415449
N22390	SEALD	473473	N2287	MUSAS	710212	N2371	MUSAS	225005	N24971	SEALD	415449V
N22391	SEALD	7937N	N22870	SEALD	204035	N23710	SEALD	412119	N24980	SEALD	415449
N22392	SEALD	473473	N2289	MUSAS	228410	N23725	SEALD	442507	N24982	SEALD	415449
N22394	SEALD	7937N	N2290	MUSAS	710122	N2373	MUSAS	710442	N24984	SEALD	3894V
N2240	MUSAS	710308	N2291	MUSAS	710123	N23742	SEALD	413247	N24986	SEALD	415449
N22400	SEALD	471138	N2292	MUSAS	228009	N23744	SEALD	200855	N24988	SEALD	415147
N22407	SEALD	471138	N2293	MUSAS	224650	N23755	SEALD	410987	N24989	SEALD	415147N
N22424	SEALD	410737	N2297	MUSAS	710847	N23756	SEALD	410987	N25007	SEALD	444042
N22425	SEALD	470737N	N2298	MUSAS	225040	N23770	SEALD	416271	N25028	SEALD	8975S
N22430	SEALD	200763	N2300	MUSAS	710916	N23779	SEALD	416271	N25042	SEALD	415001
N2244	MUSAS	710134	N2301	MUSAS	710113	N23782	SEALD	416271	N25043	SEALD	415001
N22440	SEALD	472636	N2302	MUSAS	710113	N23808	SEALD	412861	N25065	SEALD	415001N
N22441	SEALD	472636	N2303	MUSAS	710195	N23820	SEALD	415857	N25071	SEALD	416273
N22446	SEALD	450316	N23035	SEALD	442874	N23839	SEALD	410825	N25074	SEALD	416273
N22448	SEALD	410316	N2305	MUSAS	223340	N23841	SEALD	475380N	N25075	SEALD	416273
N2245	MUSAS	710107	N23061	SEALD	472150	N23844	SEALD	455860	N25078	SEALD	200851
N2246	MUSAS	710319	N23093	SEALD	411394	N23857	SEALD	712375	N25082	SEALD	7581H
N22468	SEALD	40316S	N2310	MUSAS	710354	N23860	SEALD	710006	N25091	SEALD	455079
N2247	MUSAS	710128	N2313	MUSAS	225040	N23870	SEALD	5487	N25100	SEALD	415082
N2248	MUSAS	710119	N23130	SEALD	5924	N24097	SEALD	5698	N25146	SEALD	3136N
N22483	SEALD	44052	N2315	MUSAS	710176	N24243	DAVEY	410102	N25160	SEALD	5401
N22484	SEALD	454136N	N23152	SEALD	410694	N24255	SEALD	471887	N25430	SEALD	226530
N2249	MUSAS	710118	N2316	MUSAS	225040	N24263	SEALD	412040	N25515	SEALD	5123
N22492	SEALD	411253	N23167	SEALD	450133	N24270	SEALD	412040	N25577	SEALD	415302
N22493	SEALD	411253	N2317	MUSAS	224266	N24286	SEALD	411500	N25587	SEALD	415098N
N2250	MUSAS	710633	N23184	SEALD	416444	N24287	SEALD	411500	N2560	SEALD	240435
N2251	MUSAS	710072	N23255	SEALD	416444	N24320	SEALD	413478	N25641	SEALD	415988
N2252	MUSAS	710398	N2327	MUSAS	710246	N24340	SEALD	450104	N25661	SEALD	415988
N2253	MUSAS	710069	N2328	MUSAS	226018	N24370	SEALD	411245	N25713	SEALD	417481
N22532	SEALD	412920	N2330	MUSAS	710130	N24445	SEALD	417073	N25745	SEALD	455280
N22558	SEALD	412920	N23300	SEALD	3945	N24459	SEALD	3210	N25748	SEALD	455280
N22565	SEALD	41075S	N2331	MUSAS	710591	N2450	SEALD	343104	N2594	SEALD	350435
N22582	SEALD	411376	N2333	MUSAS	225210	N24635	SEALD	226285	N25968	SEALD	710092
N22583	SEALD	411376	N2334	MUSAS	710124	N24670	SEALD	6575S	N25970	SEALD	411330N

INTERCHANGE SECTION

COMPETITIVE INTERCHANGES



Mfr No.	Mfr. National	Mfr No.	Mfr. National	Mfr No.	Mfr. National	Mfr No.	Mfr. National
N25990	SEALD 712598	N27723	SEALD 1021V	N30033	SEALD 455086	N32502	SEALD 415137
N26110	SEALD 451143	N27740	SEALD 227040	N30055	SEALD 415086N	N32510	SEALD 417353
N26123	SEALD 450329	N28035	SEALD 455005	N30060	SEALD 415962	N32540	SEALD 417353
N26124	SEALD 450329	N28116	SEALD 417485	N30070	SEALD 417488	N32560	SEALD 456305
N26141	SEALD 410708	N28270	SEALD 411348	N30087	SEALD 455088	N32582	SEALD 415023
N26144	SEALD 413248	N28275	SEALD 411348	N30095	SEALD 415088	N32595	SEALD 6584S
N26153	SEALD 413248	N28332	SEALD 710075	N30098	SEALD 455088V	N32640	SEALD 5408
N26163	SEALD 450412	N28425	SEALD 2081	N30125	SEALD 455019	N33033	SEALD 455500
N26186	SEALD 415483	N28654	SEALD 415303	N30144	SEALD 3592	N33073	SEALD 416292
N26189	SEALD 455368	N28656	SEALD 3783	N30145	SEALD 3905	N33136	SEALD 456648
N26190	SEALD 415483	N28669	SEALD 417344	N30147	SEALD 710008	N33412	SEALD 716102
N26191	SEALD 475368N	N28686	SEALD 417344	N30148	SEALD 710008	N33700	SEALD 415894
N26204	SEALD 415458V	N28687	SEALD 417344	N3050	SEALD 240698	N33701	SEALD 415894
N26209	SEALD 455003	N28697	SEALD 455006N	N3060	SEALD 240698	N33711	SEALD 415894
N26211	SEALD 415458	N28700	SEALD 455006	N31129	SEALD 45825S	N33712	SEALD 415894
N26220	SEALD 475003N	N28704	SEALD 417344	N31139	SEALD 416404	N33735	SEALD 455165
N26237	SEALD 415458	N28720	SEALD 9864S	N31147	SEALD 416404	N33772	SEALD 417354
N26238	SEALD 475458	N28745	SEALD 417158	N31148	SEALD 416404	N33807	SEALD 455249
N26260	SEALD 415458	N28746	SEALD 417158	N31173	SEALD 415156N	N34120	SEALD 228700
N26272	SEALD 3813	N28751	SEALD 417158	N31177	SEALD 416011	N34256	SEALD 455499
N26284	SEALD 417343	N28760	SEALD 416921	N31189	SEALD 2291	N34282	SEALD 417492
N26297	SEALD 417343	N28761	SEALD 416921	N31203	SEALD 8976S	N34283	SEALD 417492
N26298	SEALD 417343	N28778	SEALD 416921	N31227	SEALD 416288	N34610	SEALD 3772
N26310	SEALD 200392	N28790	SEALD 455011	N31228	SEALD 416288	N34611	SEALD 3772
N26328	SEALD 415007	N28800	SEALD 43086S	N31250	SEALD 417171	N34700	SEALD 2055
N26354	SEALD 417082	N28817	SEALD 417134	N31269	SEALD 417172	N34848	SEALD 45525S
N26356	SEALD 417082	N28830	SEALD 2674	N31288	SEALD 5751	N34860	SEALD 416624
N26358	SEALD 712625	N28848	SEALD 455144	N31299	SEALD 416297	N34861	SEALD 416624
N26368	SEALD 418027	N28873	SEALD 5403	N31316	SEALD 416024	N34868	SEALD 416624
N26373	SEALD 9773	N29223	SEALD 416956	N31333	SEALD 415021	N34885	SEALD 9339S
N26620	SEALD 7780N	N29260	SEALD 417159	N31353	SEALD 415394	N34886	SEALD 455146
N26747	SEALD 710091	N29273	SEALD 35949N	N31378	SEALD 6481S	N34887	SEALD 415991
N26761	SEALD 455151	N29275	SEALD 35949N	N31390	SEALD 5313	N34888	SEALD 455146
N26921	SEALD 455008	N29316	SEALD 416654	N31506	SEALD 228005	N34889	SEALD 415146
N27225	SEALD 710038	N29317	SEALD 416654	N31511	SEALD 228010	N34891	SEALD 415991N
N27268	SEALD 416664	N29322	SEALD 475012N	N31515	SEALD 228020	N34967	SEALD 345146
N27269	SEALD 416664	N29384	SEALD 417486	N31517	SEALD 228020	N34980	SEALD 370132A
N27280	SEALD 416664	N29465	SEALD 455356	N317	NORDG 450188	N34985	SEALD 417196
N27292	SEALD 475322N	N29471	SEALD 712937	N31753	SEALD 3385	N35012	SEALD 415437
N27293	SEALD 455322V	N29526	SEALD 3698	N31758	SEALD 456105	N3502	CASE 473215
N27295	SEALD 475322N	N29540	SEALD 227550	N31855	SEALD 455336	N35020	SEALD 415437
N27334	SEALD 415984	N29675	SEALD 1019	N31870	SEALD 6358	N35029	SEALD 455173
N27361	SEALD 417316	N29862	SEALD 4307V	N31955	SEALD 455022	N3503	CASE 450765
N27362	SEALD 417316	N29863	SEALD 476023N	N32301	SEALD 228480	N35040	SEALD 476424N
N27365	SEALD 415004V	N29865	SEALD 415281N	N32304	SEALD 228480	N35042	SEALD 415437
N27368	SEALD 455004	N29866	SEALD 417349	N32332	SEALD 710180	N35062	SEALD 6638S
N27370	SEALD 417316	N29867	SEALD 476023N	N32344	SEALD 415563	N35082	SEALD 455027
N27377	SEALD 417316	N29868	SEALD 3698	N32385	SEALD 416470N	N35083	SEALD 415027N
N27394	SEALD 46997S	N29870	SEALD 3698	N32392	SEALD 411275V	N35086	SEALD 417495
N27430	SEALD 2222	N29871	SEALD 417349	N32393	SEALD 476470	N35096	SEALD 415559
N27452	SEALD 415009N	N29872	SEALD 417349	N32395	SEALD 415304	N35098	SEALD 6612S
N27467	SEALD 415960	N29877	SEALD 455479V	N32396	SEALD 476470	N35409	SEALD 229005
N27470	SEALD 415960	N29887	SEALD 455479	N32397	SEALD 415304	N35412	SEALD 229005
N27471	SEALD 415009	N29907	SEALD 415995	N32403	SEALD 411275V	N35556	SEALD 415498
N27526	SEALD 476574N	N29925	SEALD 415013N	N32412	SEALD 476470	N35593	SEALD 415711
N27541	SEALD 416706	N29950	SEALD 455995N	N32424	SEALD 417181	N35810	SEALD 9584
N27565	SEALD 415272N	N29951	SEALD 455013	N32441	SEALD 7208S	N35905	SEALD 710056
N27600	SEALD 416282	N29952	SEALD 415013	N32448	SEALD 417352	N36005	SEALD 229210
N27601	SEALD 416282	N29968	SEALD 45013S	N32477	SEALD 417352	N36146	SEALD 3909
N27642	SEALD 3591	N30000	SEALD 417351	N32501	SEALD 455137	N36155	SEALD 417698

INTERCHANGE SECTION

COMPETITIVE INTERCHANGES

Mfr No.	Mfr.	National	Mfr No.	Mfr.	National	Mfr No.	Mfr.	National	Mfr No.	Mfr.	National
N36158	SEALD	456744N	N39923	SEALD	475845	N46285	SEALD	416158	N5150	SEALD	471549
N36177	SEALD	416047	N39933	SEALD	455035	N46395	SEALD	7700S	N5177	JOHND	470163
N36185	SEALD	416047	N39934	SEALD	415035	N4641	SEALD	320457	N5177	JOHND	471766
N36186	SEALD	416047	N39935	SEALD	710022	N46800	SEALD	415284	N5178D	JOHND	350414
N36220	SEALD	415937	N39961	SEALD	345035	N46865	SEALD	6329S	N5178D	JOHND	472311
N36234	SEALD	39813	N39975	SEALD	417356	N46920	SEALD	45637S	N52445	SEALD	417262
N36282	SEALD	370012A	N39975	SEALD	455188	N46970	SEALD	417537	N52445	SEALD	455448
N36314	SEALD	485497	N39997	SEALD	455192	N47382	SEALD	415138	N52475	SEALD	447060
N36363	SEALD	416125	N3A110507	MAZDA	2025	N47394	SEALD	415138	N52488	SEALD	415645
N36364	SEALD	416125	N3R110507	MAZDA	2025	N47395	SEALD	415138	N528	SEALD	5M89
N36382	SEALD	417499	N40036	SEALD	416130	N47426	SEALD	415138	N53701	SEALD	415938
N3645	SEALD	311189	N400451	SEALD	482126	N47474	SEALD	417247	N53790	SEALD	3292
N36740	SEALD	416919N	N40049	SEALD	415036	N47475	SEALD	417247	N5413	SEALD	710116
N3680	SEALD	330385	N400650	SEALD	710045	N47583	SEALD	415066	N54929	SEALD	6872S
N3683	SEALD	240385	N40077	SEALD	417507	N47660	SEALD	6663S	N54931	SEALD	417254
N3687	SEALD	330385	N40078	SEALD	417507	N48065	SEALD	455251H	N54960	SEALD	416107
N37015	SEALD	717005	N40082	SEALD	455513	N48693	SEALD	455091	N54972	SEALD	416107
N37026	SEALD	4359V	N40108	SEALD	415041	N48726	SEALD	417267	N55008	DOMGA	321460
N37030	SEALD	710060	N40130	SEALD	370036A	N48769	SEALD	417269	N550115	SEALD	473234
N3725	SEALD	350156	N40210	SEALD	370023A	N48882	SEALD	370005A	N550154	SEALD	1012N
N3727	SEALD	350156	N40360	SEALD	6864S	N48883	SEALD	7866S	N550158	SEALD	225230
N37330	SEALD	415983N	N41125	SEALD	455134	N48886	SEALD	370057A	N550185	SEALD	473455
N37340	SEALD	2377	N41185	SEALD	415142	N49050	SEALD	370003A	N550193	SEALD	226020
N37341	SEALD	2377	N41287	SEALD	415043	N4911	SEALD	342805	N550199	SEALD	224045
N37381	SEALD	415379	N4152A	WAYNE	471763	N4912	SEALD	8792S	N550217	SEALD	1174
N37388	SEALD	415379	N41550	SEALD	9128S	N49210	SEALD	231250	N550220	SEALD	224045
N37389	SEALD	415379	N41751	SEALD	415295	N4923	SEALD	312196	N550223	SEALD	1173
N37393	SEALD	2218	N42419	SEALD	472157	N49251	SEALD	417539	N550224	SEALD	1167
N37395	SEALD	2218	N42426	SEALD	455195	N49301	SEALD	417273	N550228	SEALD	1183
N37396	SEALD	455379	N42427	SEALD	416556	N4931	SEALD	330699	N550229	SEALD	224235
N37405	SEALD	3893V	N42470	SEALD	47150S	N4938	SEALD	43080S	N550230	SEALD	224045
N3751	SEALD	50197S	N42475	SEALD	415196	N4980	SEALD	471442V	N550231	SEALD	223542
N37524	SEALD	713750	N42528	SEALD	416891	N4985	SEALD	471442	N550233	SEALD	223542
N37525	SEALD	416339	N42573	SEALD	415045	N4988	SEALD	471442	N550237	SEALD	224210
N37532	SEALD	455031	N42616	SEALD	416137	N4990	SEALD	471442	N550238	SEALD	1959
N37533	SEALD	416339	N43051	SEALD	455197N	N49920	SEALD	3492V	N550242	SEALD	1956
N37565	SEALD	45031S	N43072	SEALD	455197N	N49927	SEALD	39801	N550243	SEALD	1167
N37574	SEALD	415150	N43073	SEALD	455197	N49928	SEALD	415725	N550244	SEALD	470460
N38040	SEALD	8370S	N43311	SEALD	325776	N49929	SEALD	415725	N550246	SEALD	471831
N38220	SEALD	455189	N4355	SEALD	6863S	N49935	SEALD	39801	N550247	SEALD	1217
N38653	SEALD	417210	N43691	SEALD	416380	N49966	SEALD	416865	N550251	SEALD	1994
N38669	SEALD	417211	N43751	SEALD	415047	N49985	SEALD	416865	N550253	SEALD	224235
N38691	SEALD	416345	N43762	SEALD	370048A	N49998	SEALD	416865	N550258	SEALD	224235
N38692	SEALD	416345	N43795	SEALD	6635S	N5001	PAYEN	3476	N550259	SEALD	224025
N38703	SEALD	415697	N43820	SEALD	415060	N50070	SEALD	204509	N550270	SEALD	1174
N38730	SEALD	417366	N4478	DIA	415697	N50130	SEALD	417278	N550285	SEALD	482126
N38731	SEALD	417366	N4478	DIA	455547	N50148	SEALD	417541	N55044	DOMGA	472341
N38745	SEALD	455958	N44913	SEALD	327303	N50167	SEALD	8126S	N5510	SEALD	313156
N38774	SEALD	456618	N44920	SEALD	417530	N5046	SEALD	471526	N55175	SEALD	370120A
N38777	SEALD	456618	N44959	SEALD	416888	N5062	SEALD	471526	N55180	SEALD	8635S
N39125	SEALD	231004	N44967	SEALD	455200	N5066	SEALD	471526	N5522	SEALD	314259
N39245	SEALD	455186	N44968	SEALD	416888	N5068	SEALD	471526	N5541	SEALD	472705
N39275	SEALD	415034	N450155	SEALD	471760	N5085	SEALD	471526	N5586	CASE	240735
N39350	SEALD	415263	N45032	SEALD	416153	N5089	CASE	471808	N5587	CASE	350414
N39378	SEALD	370008A	N45069	SEALD	416892	N5091	CASE	450984	N5587	CASE	472311
N39385	SEALD	6270	N45070	SEALD	416892	N5124	PAYEN	3476	N5606	SEALD	472705
N39423	SEALD	417506	N45140	SEALD	416070	N51240	SEALD	416557	N56101	SEALD	417555
N39860	SEALD	45187S	N45150	SEALD	415351	N51248	SEALD	417546	N56136	SEALD	417556
N39895	SEALD	455035	N46144	SEALD	416156	N5133	SEALD	471472	N56160	SEALD	417040
N39922	SEALD	415953	N46200	SEALD	415371	N515	SEALD	5MR71	N5652	SEALD	471281

INTERCHANGE SECTION

COMPETITIVE INTERCHANGES



Mfr No.	Mfr. National	Mfr No.	Mfr. National	Mfr No.	Mfr. National	Mfr No.	Mfr. National
N5662	SEALD 471281	N663	SEALD 5MR1009	N7572	SEALD 471567	N920225	LUF 450070
N56B206	CONTI 412473	N671	SEALD 5MR1300	N7573	SEALD 471567	N920225	LUF 472185
N56B206	CONTI 415894	N6720	SEALD 3667	N7591	SEALD 471498	N9243	SEALD 340787
N5707	SEALD 471535	N6741	SEALD 471529	N76255	SEALD 417598	N92536	SEALD 415219
N57510	SEALD 417362	N67515	SEALD 415327	N7627	SEALD 471643	N9298	SEALD 471571
N57521	SEALD 416666	N67533	SEALD 417596	N7628	SEALD 471643	N9303	SEALD 471571
N5803	SEALD 221510	N6762	SEALD 474261	N7636	SEALD 471684	N9307	SEALD 471647
N5804	SEALD 221510	N6763	SEALD 474261	N7661	SEALD 473406	N9347	SEALD 472951
N58716	SEALD 416476	N6765	SEALD 8773S	N7690	SEALD 470390	N9409	SEALD 450039
N5926	SEALD 471532	N6767	SEALD 8773S	N77540	SEALD 455406	N95062	SEALD 417606
N5946	SEALD 471532	N68016	SEALD JV753	N7829	SEALD 481443	N9515	SEALD 222430
N596	SEALD 5M403	N6806	SEALD 8773S	N7831	SEALD 481443	N9613	SEALD 451583
N5966	SEALD 471558	N6816	SEALD 471553	N7841	CASE 370094A	N9646	SEALD 471648
N59999	SEALD 2297V	N68745	SEALD 455584	N7849	SEALD 481568	N9663	SEALD 8059S
N60000	SEALD 39807	N6920	SEALD 471553	N7872	SEALD 481644	N9664	SEALD 8059S
N60004	SEALD 417365	N6935	SEALD 471579	N7905	SEALD 222025	N9667	SEALD 471688
N60016	SEALD 415072	N7000	SEALD 221820	N79997	SEALD 417600	N9706	SEALD 712007
N60027	SEALD 415072	N70016	SEALD 416364	N80010	SEALD 417601	N9715	SEALD 320603
N60028	SEALD 415072	N70026	SEALD 417597	N80037	SEALD 417602	N9720	SEALD 222535
N6120	SEALD 340849	N7003	SEALD 710222	N80038	SEALD 417602	N9725	SEALD 222540
N61210	SEALD 455330	N70052	SEALD 416239	N8017	SEALD 471539	N9727	SEALD 222540
N6125	SEALD 343105	N7005B	FORD 480491	N8019	SEALD 450431	N9815	SEALD 240731
N61255	SEALD 457874	N7006	SEALD 710156	N8060	SEALD 471231	N9818	SEALD 342517
N6130	SEALD 7399S	N7007	SEALD 710154	N8088	SEALD 474253	N9820	SEALD 441130
N6141	SEALD 7188S	N70080	SEALD 416239	N816123	WGEAR 40401	N9826	SEALD 252277
N6143	SEALD 7188S	N711818	SEALD 722108	N8178	SEALD 471645V	N9835	SEALD 350414
N6152	SEALD 314267N	N711822	SEALD 710044	N8215	SEALD 471686	N9837	SEALD 350414
N61840	SEALD 455583N	N71245	SEALD 416077	N82560	SEALD 415124	N9838	SEALD 350414
N619	SEALD 5M466	N7172D	JOHND 473227	N85009	SEALD 417603	N9852	SEALD 471224
N62000	SEALD 2628	N7174D	JOHND 471795	N85015	SEALD 417604	N9876	SEALD 470120
N62001	SEALD 5613	N7251	SEALD 710154	N85085	SEALD 416394	N9878	SEALD 471224
N6215	SEALD 471466V	N72539	SEALD 415116	N8550	SEALD 222240	N9879	SEALD 471224V
N62495	SEALD 455480	N7361D	JOHND 472560N	N8620	SEALD 240733	N9889	SEALD 6847S
N62535	SEALD 417562	N7361D	JOHND 50151S	N8625	SEALD 5976S	N9894	SEALD 471270
N6280	SEALD 471264	N73745	SEALD 455117	N8627	SEALD 7840S	N9900	SEALD 343123
N6285D	JOHND 470548	N7412	SEALD 7214	N8632	SEALD 7014S	N9903	SEALD 473380
N6285D	JOHND 470625	N7413	SEALD 240816	N8637	SEALD 340413	N99049	SEALD 99049
N62C204	CONTI 470543	N7414	SEALD 7750	N8645	SEALD 340413	N99059	SEALD 99059
N62C204	CONTI 474272	N7415	SEALD 343185	N8646	SEALD 471267V	N99060	SEALD 99060
N6315	SEALD 471264	N7439	SEALD 470954	N8648	SEALD 471267	N99062	SEALD 99062
N6316	SEALD 471264	N7440	SEALD 6835S	N8677	SEALD 440131	N99068	SEALD 99068
N6323	SEALD 41264S	N7443	SEALD 470954	N8691	SEALD 712270	N9907	SEALD 473380
N6370	SEALD 240023	N7450	SEALD 470954V	N8700	SEALD 471570	N99076	SEALD 99076
N6372	SEALD 471255	N7464	SEALD 350954	N8702	SEALD 471570	N99078	SEALD 99078
N6373	SEALD 471255	N7465	SEALD 6835S	N8707	SEALD 471570V	N99085	SEALD 99085
N63733	SEALD 417563	N7474	SEALD 480821	N8741	SEALD 471570	N99087	SEALD 99087
N63734	SEALD 417563	N7475	SEALD 7013S	N8748	SEALD 471570	N99096	SEALD 99096
N6386	SEALD 471564	N7478	SEALD 470954	N8763	SEALD 471633	N99098	SEALD 99098
N6404	SEALD 221607	N7481	SEALD 7013S	N8772	SEALD 471633	N99100	SEALD 99101
N6418	SEALD 221620	N75030	SEALD 415867	N8796	SEALD 471646	N99103	SEALD 99103
N64994	SEALD 415294	N7504	HU-WR 415138	N8821	SEALD 470590	N99106	SEALD 99106
N65036	SEALD 416229	N75050	SEALD 415551	N8842	SEALD 471137	N99111	SEALD 99111
N65037	SEALD 416229	N7512	SEALD 470027	N8860	SEALD 471730	N99112	SEALD 99112
N6521	SEALD 481528	N7513	SEALD 471554	N8870	SEALD 470645	N99114	SEALD 99114
N6556	SEALD 481073	N7515	SEALD 471554V	N90006	SEALD 55301S	N99118	SEALD 99118
N6580	SEALD 481397	N7535	HU-WR 470358	N90036	SEALD 415090	N99125	SEALD 99125
N6611	SEALD 221710	N7535	HU-WR 473231	N9005	SEALD 710254	N99128	SEALD 99128
N662	SEALD 5MR1008	N7536	SEALD 471554	N9021501	JPAT 710743	N99129	SEALD 99129
N6622	SEALD 481481	N7538	SEALD 481443	N9021502	JPAT 710746	N99131	SEALD 99131
N66241	SEALD 417298	N7571	SEALD 471567	N9021503	JPAT 710744	N99133	SEALD 99133

INTERCHANGE SECTION

COMPETITIVE INTERCHANGES

Mfr No.	Mfr.	National	Mfr No.	Mfr.	National	Mfr No.	Mfr.	National	Mfr No.	Mfr.	National
N99138	SEALD	99138	N99274	SEALD	99274	N99472	SEALD	99472	NA5132	PAYEN	231003
N99139	SEALD	99139	N99275	SEALD	99275	N99473	SEALD	99473	NA5133	PAYEN	716102
N99143	SEALD	99143	N99276	SEALD	99276	N99475	SEALD	99475	NA5136	PAYEN	223020
N99144	SEALD	99144	N99281	SEALD	99281	N99492	SEALD	99492	NA5137	PAYEN	711002
N99146	SEALD	99146	N99282	SEALD	99282	N99494	SEALD	99494	NA5138	PAYEN	710790
N99147	SEALD	99147	N99286	SEALD	99286	N99498	SEALD	99498	NA5139	PAYEN	320348
N99149	SEALD	99149	N99287	SEALD	99287	N99499	SEALD	99499	NA5140	PAYEN	710894
N99150	SEALD	99150	N99290	SEALD	99290	N99525	SEALD	99525	NA5143	PAYEN	710520
N99155	SEALD	99155	N99291	SEALD	99291	N99549	SEALD	99549	NA5157	PAYEN	223750
N99156	SEALD	99156	N99293	SEALD	99293	N99599	SEALD	99599	NA5168	PAYEN	710813
N99157	SEALD	99157	N99294	SEALD	99294	N9960	SEALD	474250	NA5174	PAYEN	710799
N99162	SEALD	99162	N99296	SEALD	99296	N99606	SEALD	99606	NA5178	PAYEN	710790
N99166	SEALD	99166	N99298	SEALD	99298	N99625	SEALD	99625	NA5179	PAYEN	710788
N99168	SEALD	99168	N99299	SEALD	99299	N99630	SEALD	99630	NA5226	PAYEN	710236
N99169	SEALD	99169	N99300	SEALD	99300	N99650	SEALD	99650	NA5242	PAYEN	224053
N99170	SEALD	99170	N99303	SEALD	99303	N99675	SEALD	99675	NA5246	PAYEN	2012V
N99171	SEALD	99171	N99311	SEALD	99311	N99700	SEALD	99700	NA5248	PAYEN	710764
N99172	SEALD	99172	N99312	SEALD	99312	N99750	SEALD	99750	NA5263	PAYEN	710714
N99174	SEALD	99174	N99313	SEALD	99313	N99787	SEALD	99787	NA5266	PAYEN	710288
N99175	SEALD	99175	N99315	SEALD	99315	N9982	SEALD	471689V	NA5268	PAYEN	710290
N99176	SEALD	99176	N99322	SEALD	99322	N9995	SEALD	471689	NA5289	PAYEN	710526
N99177	SEALD	99177	N99324	SEALD	99324	N9998	SEALD	471689	NA5310	PAYEN	711001
N99179	SEALD	99179	N99325	SEALD	99325	NA0127165	MAZDA	100552	NA5320	PAYEN	710608
N99181	SEALD	99181	N99331	SEALD	99331	NA0127165A	MAZDA	100552	NA5322	PAYEN	223220
N99186	SEALD	99186	N99333	SEALD	99333	NA0127238	MAZDA	710429	NA5323	PAYEN	713771
N99187	SEALD	99187	N99334	SEALD	99334	NA132	PAYEN	472397	NA5329	PAYEN	710279
N99189	SEALD	99189	N99337	SEALD	99337	NA151	PAYEN	223800	NA5334	PAYEN	710697
N99193	SEALD	99193	N99339	SEALD	99339	NA174	PAYEN	330663	NA5335	PAYEN	710574
N99196	SEALD	99196	N9934	SEALD	470219	NA271	PAYEN	451948	NA5337	PAYEN	710747
N99199	SEALD	99199	N99340	SEALD	99340	NA296	PAYEN	473210	NA5338	PAYEN	223235
N99200	SEALD	99200	N99347	SEALD	99347	NA297	PAYEN	710058	NA5344	PAYEN	1990
N99205	SEALD	99205	N99349	SEALD	99349	NA300	PAYEN	450154	NA5349	PAYEN	711007
N99210	SEALD	99210	N9935	SEALD	471649	NA328	PAYEN	451857	NA5365	PAYEN	710217
N99212	SEALD	99212	N99350	SEALD	99350	NA329	PAYEN	470358	NA5366	PAYEN	710630
N99215	SEALD	99215	N99351	SEALD	99351	NA354	PAYEN	471870	NA5367	PAYEN	710445
N99218	SEALD	99218	N99354	SEALD	99354	NA355	PAYEN	224045	NA5368	PAYEN	710834
N99225	SEALD	99225	N99356	SEALD	99356	NA378	PAYEN	225040	NA5369	PAYEN	710451
N99226	SEALD	99226	N99362	SEALD	99362	NA425	PAYEN	1960	NA5390	PAYEN	710183
N99230	SEALD	99230	N99363	SEALD	99363	NA453	PAYEN	1174	NA5405	PAYEN	710146
N99231	SEALD	99231	N99364	SEALD	99364	NA461	PAYEN	1012N	NA5442	PAYEN	710876
N99233	SEALD	99233	N99367	SEALD	99367	NA473	PAYEN	472655	NA5443	PAYEN	710456
N99235	SEALD	99235	N99368	SEALD	99368	NA5001	PAYEN	3476	NA5444	PAYEN	710554
N99236	SEALD	99236	N99369	SEALD	99369	NA5016	PAYEN	1172	NA5445	PAYEN	710635
N99237	SEALD	99237	N99372	SEALD	99372	NA5017	PAYEN	710669	NA551	PAYEN	350936
N99238	SEALD	99238	N99374	SEALD	99374	NA5018	PAYEN	1172	NA559	PAYEN	1174
N99240	SEALD	99240	N99376	SEALD	99376	NA5047	PAYEN	223035	NA581	PAYEN	710190
N99243	SEALD	99243	N99387	SEALD	99387	NA5062	PAYEN	227409	NA582	PAYEN	3774
N99248	SEALD	99248	N99393	SEALD	99393	NA5067	PAYEN	228480	NA611	PAYEN	415001N
N99250	SEALD	99250	N99395	SEALD	99395	NA5069	PAYEN	710127	NA727	PAYEN	228010
N99253	SEALD	99253	N99399	SEALD	99399	NA5074	PAYEN	710812	NA736	PAYEN	712250
N99254	SEALD	99254	N99401	SEALD	99401	NA5087	PAYEN	710553	NA748	PAYEN	455368
N99256	SEALD	99256	N99413	SEALD	99413	NA5088	PAYEN	710676	NA764	PAYEN	483246N
N99259	SEALD	99259	N99423	SEALD	99423	NA5090	PAYEN	710465	NA869	PAYEN	710803
N99260	SEALD	99260	N99424	SEALD	99424	NA5103	PAYEN	710127	NA965	PAYEN	3341
N99261	SEALD	99261	N99435	SEALD	99435	NA5104	PAYEN	229005	NAA4676A	FORD	473215
N99262	SEALD	99262	N99437	SEALD	99437	NA5105	PAYEN	716484	NB291	PAYEN	710180
N99267	SEALD	99267	N99450	SEALD	99450	NA5106	PAYEN	710618	NB312	CEW	228010
N99269	SEALD	99269	N99452	SEALD	99452	NA5108	PAYEN	224200	NB384	PAYEN	224020
N99272	SEALD	99272	N99463	SEALD	99463	NA512	PAYEN	471854	NB431	PAYEN	229005
N99273	SEALD	99273	N99468	SEALD	99468	NA5124	PAYEN	3476	NB432	PAYEN	223542

INTERCHANGE SECTION

COMPETITIVE INTERCHANGES



Mfr No.	Mfr.	National	Mfr No.	Mfr.	National	Mfr No.	Mfr.	National	Mfr No.	Mfr.	National
NB446	PAYEN	3476	NJ911	PAYEN	710107	NJ107	PAYEN	444116	NJ202	PAYEN	713771
NB481	PAYEN	224235	NJ001	PAYEN	227045	NJ117	PAYEN	1167	NJ203	PAYEN	1209
NB564	PAYEN	3393	NJ002	PAYEN	1177	NJ118	PAYEN	222535	NJ206	PAYEN	223800
NB567	PAYEN	1962	NJ003	PAYEN	1959	NJ119	PAYEN	222540	NJ208	PAYEN	710228
NB584	PAYEN	450867	NJ004	PAYEN	712006	NJ122	PAYEN	224270	NJ209	PAYEN	710194
NB610	PAYEN	472439	NJ005	PAYEN	224460	NJ125	PAYEN	710070	NJ210	PAYEN	1217
NB644	PAYEN	227409	NJ006	PAYEN	227235	NJ127	PAYEN	710642	NJ213	PAYEN	710118
NB645	PAYEN	3771	NJ007	PAYEN	224465	NJ128	PAYEN	224870	NJ215	PAYEN	710765
NB697	PAYEN	710399	NJ008	PAYEN	227235	NJ129	PAYEN	494123	NJ216	PAYEN	710352
NB698	PAYEN	228008	NJ009	PAYEN	1188	NJ130	PAYEN	225220	NJ217	PAYEN	710112
NB699	PAYEN	3771	NJ011	PAYEN	224015	NJ132	PAYEN	710125	NJ219	PAYEN	225230
NB700	PAYEN	710824	NJ014	PAYEN	225020	NJ133	PAYEN	710127	NJ220	PAYEN	710247
NB701	PAYEN	710232	NJ015	PAYEN	224015	NJ136	PAYEN	710182	NJ223	PAYEN	710862
NB714	PAYEN	710580	NJ017	PAYEN	1176	NJ139	PAYEN	225673	NJ233	PAYEN	227045
NB716	PAYEN	710618	NJ018	PAYEN	710345	NJ140	PAYEN	226150	NJ239	PAYEN	225040
NB732	PAYEN	227409	NJ022	PAYEN	223831	NJ141	PAYEN	226610	NJ240	PAYEN	4359V
NB735	PAYEN	224052	NJ023	PAYEN	224210	NJ142	PAYEN	710178	NJ242	PAYEN	3771
NB792	PAYEN	710403	NJ024	PAYEN	471847N	NJ143	PAYEN	221510	NJ243	PAYEN	710345
NB806	PAYEN	710237	NJ025	PAYEN	224570	NJ144	PAYEN	222340	NJ251	PAYEN	228005
NB884	PAYEN	710613	NJ026	PAYEN	712007	NJ146	PAYEN	226530	NJ252	PAYEN	223018
NB953	PAYEN	227530	NJ030	PAYEN	228010	NJ149	PAYEN	223050	NJ254	PAYEN	222743
NB958	PAYEN	710550	NJ033	PAYEN	1174	NJ150	PAYEN	221820	NJ255	PAYEN	221710
NB970	PAYEN	710288	NJ040	PAYEN	228020	NJ151	PAYEN	223051	NJ265	PAYEN	228480
NB973	PAYEN	710289	NJ041	PAYEN	1992	NJ152	PAYEN	223550	NJ266	PAYEN	712005
NB974	PAYEN	710288	NJ042	PAYEN	224874	NJ153	PAYEN	710634	NJ267	PAYEN	224205
NB975	PAYEN	710288	NJ043	PAYEN	712011	NJ154	PAYEN	229004	NJ268	PAYEN	223240
NC048	PAYEN	710642	NJ044	PAYEN	227550	NJ155	PAYEN	5685	NJ269	PAYEN	710271
NC065	PAYEN	223005	NJ050	PAYEN	710196	NJ157	PAYEN	5685	NJ270	PAYEN	712008
NCA1190A	FORD	7381S	NJ051	PAYEN	1183	NJ158	PAYEN	710060	NJ274	PAYEN	223542
NCA1237BA	JAGUA	231004	NJ055	PAYEN	231004	NJ159	PAYEN	710282	NJ276	PAYEN	1012N
NCA4251B	FORD	415449	NJ056	PAYEN	228010	NJ160	PAYEN	710722	NJ280	PAYEN	223340
NCA4251B	FORD	455147	NJ057	PAYEN	224840	NJ161	PAYEN	710314	NJ284	PAYEN	228411
NCA4676A	FORD	473228	NJ058	PAYEN	228005	NJ163	PAYEN	710838	NJ285	PAYEN	223420
NCB4233A	FORD	450285	NJ060	PAYEN	228480	NJ164	PAYEN	1147	NJ286	PAYEN	223602
NCB42332	FORD	450118	NJ062	PAYEN	226285	NJ165	PAYEN	4901	NJ287	PAYEN	228009
NCB42332	FORD	473449	NJ064	PAYEN	1959	NJ166	PAYEN	224066	NJ288	PAYEN	224020
ND14285	GMC	417362	NJ068	PAYEN	1955	NJ167	PAYEN	224063	NJ297	PAYEN	225875
ND2237A	FAIRB	471762	NJ069	PAYEN	1948	NJ168	PAYEN	224068	NJ300	PAYEN	228020
ND542A	FAIRB	415551	NJ070	PAYEN	710649	NJ169	PAYEN	3459	NJ311	PAYEN	710331
NDA7048A	FORD	450389	NJ071	PAYEN	1956	NJ170	PAYEN	710298	NJ312	PAYEN	228015
NDA7048A	FORD	472492	NJ072	PAYEN	710329	NJ172	PAYEN	710868	NJ313	PAYEN	320595
NDA77086A	FORD	473445	NJ077	PAYEN	1953	NJ173	PAYEN	225885	NJ321	PAYEN	222860
NF013	PAYEN	221540	NJ078	PAYEN	1188	NJ177	PAYEN	2012V	NJ322	PAYEN	710060
NF020	PAYEN	222240	NJ080	PAYEN	710324	NJ178	PAYEN	1932	NJ323	PAYEN	224025
NF029	PAYEN	223831	NJ081	PAYEN	1973	NJ179	PAYEN	224235	NJ324	PAYEN	223420
NF037	PAYEN	1012N	NJ084	PAYEN	222430	NJ181	PAYEN	710404	NJ325	PAYEN	229010
NF072	PAYEN	710681	NJ085	PAYEN	2016	NJ182	PAYEN	223543	NJ336	PAYEN	710310
NF200	PAYEN	223005	NJ088	PAYEN	1196	NJ183	PAYEN	710199	NJ339	PAYEN	222340
NF331	PAYEN	222820	NJ089	PAYEN	1213N	NJ184	PAYEN	226018	NJ341	PAYEN	1038
NF4A3044B9	FAIRB	411253	NJ090	PAYEN	710320	NJ186	PAYEN	710633	NJ342	PAYEN	1021V
NF4A3044B9	FAIRB	450099	NJ091	PAYEN	1994	NJ187	PAYEN	710122	NJ343	PAYEN	1019
NF637	PAYEN	716484	NJ092	PAYEN	473823	NJ188	PAYEN	710123	NJ344	PAYEN	1953
NF761	PAYEN	224252	NJ096	PAYEN	223830	NJ190	PAYEN	224026	NJ346	PAYEN	229010
NF857	PAYEN	710761	NJ098	PAYEN	717005	NJ191	PAYEN	710133	NJ347	PAYEN	223801
NJ012	PAYEN	710383	NJ099	PAYEN	227020	NJ193	PAYEN	710246	NJ349	PAYEN	223235
NJ134	PAYEN	712008	NJ100	PAYEN	473179	NJ195	PAYEN	222745	NJ353	PAYEN	1987
NJ175	PAYEN	3543	NJ101	PAYEN	473812	NJ198	PAYEN	710240	NJ354	PAYEN	710765
NJ192	PAYEN	710397	NJ102	PAYEN	710318	NJ199	PAYEN	4904	NJ358	PAYEN	1953
NJ394	PAYEN	710373	NJ104	PAYEN	1950	NJ200	PAYEN	710644	NJ360	PAYEN	228013
NJ433	PAYEN	227550	NJ106	PAYEN	224045	NJ201	PAYEN	224210	NJ367	PAYEN	8316

INTERCHANGE SECTION

COMPETITIVE INTERCHANGES

Mfr No.	Mfr.	National	Mfr No.	Mfr.	National	Mfr No.	Mfr.	National	Mfr No.	Mfr.	National
NJ368	PAYEN	223340	NJ527	PAYEN	224250	NJ659	PAYEN	225210	NJ809	PAYEN	1973
NJ373	PAYEN	710325	NJ536	PAYEN	710311	NJ660	PAYEN	1180	NJ811	PAYEN	224235
NJ377	PAYEN	710310	NJ537	PAYEN	4990	NJ661	PAYEN	710092	NJ814	PAYEN	710727
NJ378	PAYEN	710334	NJ538	PAYEN	229522	NJ663	PAYEN	3622	NJ815	PAYEN	8316
NJ381	PAYEN	710332	NJ539	PAYEN	225010	NJ665	PAYEN	710098	NJ818	PAYEN	1994
NJ382	PAYEN	1979	NJ540	PAYEN	4989	NJ674	PAYEN	229005	NJ821	PAYEN	471076
NJ383	PAYEN	710081	NJ541	PAYEN	2003N	NJ675	PAYEN	228008	NJ822	PAYEN	224100
NJ384	PAYEN	1973	NJ551	PAYEN	1986	NJ676	PAYEN	473258	NJ823	PAYEN	224255
NJ386	PAYEN	2002	NJ557	PAYEN	224820	NJ679	PAYEN	710309	NJ824	PAYEN	225082
NJ387	PAYEN	1974	NJ558	PAYEN	228010	NJ684	PAYEN	710195	NJ825	PAYEN	225230
NJ391	PAYEN	710421	NJ559	PAYEN	223235	NJ685	PAYEN	2016	NJ832	PAYEN	222030
NJ393	PAYEN	710088	NJ562	PAYEN	224820	NJ687	PAYEN	710319	NJ833	PAYEN	225040
NJ395	PAYEN	226530	NJ563	PAYEN	223605	NJ688	PAYEN	710124	NJ838	PAYEN	710464
NJ397	PAYEN	710763	NJ564	PAYEN	1960	NJ689	PAYEN	710134	NJ841	PAYEN	710406
NJ399	PAYEN	223014	NJ568	PAYEN	710086	NJ690	PAYEN	2003N	NJ843	PAYEN	473823
NJ400	PAYEN	710184	NJ569	PAYEN	474133	NJ692	PAYEN	225650	NJ846	PAYEN	710233
NJ405	PAYEN	224045	NJ571	PAYEN	710080	NJ694	PAYEN	225650	NJ847	PAYEN	225230
NJ414	PAYEN	224045	NJ574	PAYEN	1992	NJ695	PAYEN	710072	NJ848	PAYEN	710230
NJ415	PAYEN	710051	NJ575	PAYEN	1173	NJ701	PAYEN	1948	NJ849	PAYEN	222630
NJ416	PAYEN	223230	NJ577	PAYEN	224015	NJ703	PAYEN	222655	NJ854	PAYEN	224462
NJ417	PAYEN	710556	NJ578	PAYEN	225005	NJ704	PAYEN	710110	NJ856	PAYEN	223843
NJ420	PAYEN	710371	NJ580	PAYEN	1984	NJ705	PAYEN	710109	NJ858	PAYEN	710154
NJ424	PAYEN	227040	NJ582	PAYEN	717004	NJ706	PAYEN	223802	NJ859	PAYEN	223010
NJ425	PAYEN	710278	NJ585	PAYEN	710268	NJ707	PAYEN	223830	NJ860	PAYEN	710109
NJ428	PAYEN	494123	NJ587	PAYEN	1174	NJ708	PAYEN	1180	NJ861	PAYEN	710806
NJ429	PAYEN	225010	NJ591	PAYEN	710325	NJ709	PAYEN	224210	NJ863	PAYEN	224820
NJ436	PAYEN	223220	NJ592	PAYEN	223605	NJ717	PAYEN	710083	NJ864	PAYEN	224815
NJ437	PAYEN	710076	NJ593	PAYEN	1176	NJ718	PAYEN	710407	NJ866	PAYEN	224872
NJ438	PAYEN	221820	NJ598	PAYEN	223012	NJ719	PAYEN	223842	NJ867	PAYEN	4898
NJ439	PAYEN	1989	NJ599	PAYEN	227020	NJ731	PAYEN	4901	NJ868	PAYEN	1993
NJ441	PAYEN	2011	NJ600	PAYEN	222820	NJ732	PAYEN	239146	NJ873	PAYEN	710894
NJ444	PAYEN	221922	NJ602	PAYEN	225875	NJ733	PAYEN	223580	NJ874	PAYEN	223750
NJ446	PAYEN	228700	NJ606	PAYEN	710306	NJ735	PAYEN	710167	NJ875	PAYEN	223220
NJ448	PAYEN	223012	NJ607	PAYEN	223542	NJ737	PAYEN	474230	NJ876	PAYEN	710223
NJ449	PAYEN	710308	NJ608	PAYEN	223840	NJ739	PAYEN	224570	NJ877	PAYEN	221620
NJ452	PAYEN	2007N	NJ609	PAYEN	223840	NJ743	PAYEN	1108	NJ878	PAYEN	710398
NJ453	PAYEN	1987	NJ610	PAYEN	712007	NJ748	PAYEN	710338	NJ881	PAYEN	710128
NJ454	PAYEN	1981	NJ611	PAYEN	223014	NJ749	PAYEN	710396	NJ886	PAYEN	226530
NJ456	PAYEN	1012N	NJ612	PAYEN	223608	NJ750	PAYEN	710073	NJ888	PAYEN	710070
NJ464	PAYEN	1943	NJ615	PAYEN	223005	NJ751	PAYEN	222410	NJ889	PAYEN	1036
NJ465	PAYEN	710087	NJ616	PAYEN	710343	NJ755	PAYEN	710458	NJ890	PAYEN	225530
NJ466	PAYEN	710275	NJ617	PAYEN	320603	NJ756	PAYEN	710305	NJ891	PAYEN	223830
NJ467	PAYEN	710084	NJ620	PAYEN	222743	NJ759	PAYEN	222860	NJ892	PAYEN	225225
NJ468	PAYEN	710085	NJ621	PAYEN	221710	NJ761	PAYEN	223552	NJ901	PAYEN	222025
NJ471	PAYEN	224020	NJ622	PAYEN	221540	NJ762	PAYEN	221510	NJ904	PAYEN	1953
NJ474	PAYEN	225230	NJ625	PAYEN	471950	NJ763	PAYEN	223400	NJ908	PAYEN	710094
NJ479	PAYEN	710277	NJ626	PAYEN	1949	NJ764	PAYEN	470460	NJ909	PAYEN	710093
NJ484	PAYEN	1990	NJ629	PAYEN	224255	NJ765	PAYEN	224052	NJ912	PAYEN	710175
NJ492	PAYEN	224510	NJ631	PAYEN	1126	NJ769	PAYEN	710369	NJ915	PAYEN	710315
NJ493	PAYEN	494122	NJ634	PAYEN	710678	NJ774	PAYEN	710055	NJ919	PAYEN	1213N
NJ494	PAYEN	223550	NJ635	PAYEN	710316	NJ777	PAYEN	1147	NJ922	PAYEN	710239
NJ495	PAYEN	710317	NJ637	PAYEN	224025	NJ779	PAYEN	222742	NJ923	PAYEN	710052
NJ503	PAYEN	227020	NJ638	PAYEN	225650	NJ780	PAYEN	1936	NJ925	PAYEN	710295
NJ511	PAYEN	710518	NJ639	PAYEN	710312	NJ781	PAYEN	710337	NJ928	PAYEN	710296
NJ512	PAYEN	228025	NJ645	PAYEN	710187	NJ782	PAYEN	710148	NJ933	PAYEN	713771
NJ519	PAYEN	1981	NJ650	PAYEN	228250	NJ783	PAYEN	473677	NJ934	PAYEN	222540
NJ519	PAYEN	223014	NJ654	PAYEN	710450	NJ798	PAYEN	710169	NJ939	PAYEN	710089
NJ520	PAYEN	710070	NJ655	PAYEN	222025	NJ799	PAYEN	222835	NJ940	PAYEN	224045
NJ521	PAYEN	710319	NJ657	PAYEN	222240	NJ807	PAYEN	220860	NJ941	PAYEN	710167
NJ526	PAYEN	494117	NJ658	PAYEN	225230	NJ808	PAYEN	710323	NJ942	PAYEN	710081

INTERCHANGE SECTION

COMPETITIVE INTERCHANGES



Mfr No.	Mfr. National	Mfr No.	Mfr. National	Mfr No.	Mfr. National	Mfr No.	Mfr. National
NJ943	PAYEN 228480	NK048	PAYEN 223253	NK182	PAYEN 223235	NN99147	SEALD 99147
NJ944	PAYEN 474133	NK049	PAYEN 223801	NK184	PAYEN 221820	NN99149	SEALD 99149
NJ948	PAYEN 710401	NK050	PAYEN 224020	NK195	PAYEN 710437	NN99150	SEALD 99150
NJ949	PAYEN 225875	NK053	PAYEN 225673	NK198	PAYEN 710110	NN99155	SEALD 99155
NJ951	PAYEN 710415	NK054	PAYEN 4899	NK199	PAYEN 225678	NN99156	SEALD 99156
NJ952	PAYEN 222820	NK055	PAYEN 710188	NK200	PAYEN 710571	NN99157	SEALD 99157
NJ957	PAYEN 710405	NK065	PAYEN 224045	NK201	PAYEN 5695	NN99162	SEALD 99162
NJ960	PAYEN 222030	NK066	PAYEN 1146	NK202	PAYEN 224053	NN99166	SEALD 99166
NJ961	PAYEN 350572	NK067	PAYEN 224026	NK203	PAYEN 350609	NN99168	SEALD 99168
NJ962	PAYEN 223215	NK068	PAYEN 350609	NK205	PAYEN 229004	NN99169	SEALD 99169
NJ963	PAYEN 221820	NK075	PAYEN 710416	NK206	PAYEN 1019	NN99170	SEALD 99170
NJ965	PAYEN 223240	NK076	PAYEN 710689	NK207	PAYEN 712938	NN99171	SEALD 99171
NJ978	PAYEN 224660	NK084	PAYEN 320583	NK208	PAYEN 710570	NN99172	SEALD 99172
NJ982	PAYEN 1120	NK085	PAYEN 710319	NK211	PAYEN 712011	NN99174	SEALD 99174
NJ983	PAYEN 710097	NK094	PAYEN 710108	NK212	PAYEN 710108	NN99175	SEALD 99175
NJ984	PAYEN 473179	NK095	PAYEN 221620	NK214	PAYEN 710419	NN99176	SEALD 99176
NJ985	PAYEN 1940	NK099	PAYEN 5686	NK215	PAYEN 223540	NN99177	SEALD 99177
NJ988	PAYEN 225450	NK100	PAYEN 350609	NK217	PAYEN 225040	NN99179	SEALD 99179
NJ989	PAYEN 222050	NK103	PAYEN 228700	NK230	PAYEN 474133	NN99181	SEALD 99181
NJ990	PAYEN 710463	NK104	PAYEN 229010	NK231	PAYEN 710248	NN99186	SEALD 99186
NJ991	PAYEN 224820	NK106	PAYEN 224650	NK232	PAYEN 224250	NN99187	SEALD 99187
NJ992	PAYEN 710239	NK110	PAYEN 223535	NK233	PAYEN 712007	NN99189	SEALD 99189
NJ994	PAYEN 1941	NK117	PAYEN 223230	NK238	PAYEN 710423	NN99193	SEALD 99193
NJ995	PAYEN 225275	NK119	PAYEN 710225	NK239	PAYEN 1955	NN99196	SEALD 99196
NJ996	PAYEN 225410	NK120	PAYEN 222430	NK243	PAYEN 710234	NN99199	SEALD 99199
NJ997	PAYEN 1928	NK122	PAYEN 3771	NK251	PAYEN 225020	NN99200	SEALD 99200
NJ998	PAYEN 1935	NK123	PAYEN 1177	NK259	PAYEN 710316	NN99205	SEALD 99205
NJ999	PAYEN 1188	NK125	PAYEN 223010	NK264	PAYEN 224200	NN99210	SEALD 99210
NK010	PAYEN 710357	NK126	PAYEN 225545	NK265	PAYEN 710523	NN99212	SEALD 99212
NK016	PAYEN 710330	NK127	PAYEN 223805	NK294	PAYEN 710782	NN99215	SEALD 99215
NK086	PAYEN 712009	NK128	PAYEN 223553	NLA307	FAIRB 417343	NN99218	SEALD 99218
NK098	PAYEN 225220	NK129	PAYEN 710598	NLA90	FAIRB 471750	NN99225	SEALD 99225
NK105	PAYEN 710354	NK131	PAYEN 710868	NN99049	SEALD 99049	NN99226	SEALD 99226
NK145	PAYEN 710226	NK133	PAYEN 221207	NN99059	SEALD 99059	NN99230	SEALD 99230
NK146	PAYEN 710529	NK134	PAYEN 224053	NN99060	SEALD 99060	NN99231	SEALD 99231
NK147	PAYEN 225005	NK137	PAYEN 710399	NN99062	SEALD 99062	NN99233	SEALD 99233
NK148	PAYEN 710231	NK139	PAYEN 710235	NN99068	SEALD 99068	NN99235	SEALD 99235
NK153	PAYEN 710236	NK140	PAYEN 710730	NN99076	SEALD 99076	NN99236	SEALD 99236
NK157	PAYEN 228250	NK141	PAYEN 710264	NN99078	SEALD 99078	NN99237	SEALD 99237
NK158	PAYEN 710355	NK143	PAYEN 710767	NN99085	SEALD 99085	NN99238	SEALD 99238
NK172	PAYEN 712009	NK144	PAYEN 710292	NN99087	SEALD 99087	NN99240	SEALD 99240
NK173	PAYEN 228410	NK150	PAYEN 710436	NN99096	SEALD 99096	NN99243	SEALD 99243
NK196	PAYEN 710393	NK154	PAYEN 224663	NN99098	SEALD 99098	NN99248	SEALD 99248
NK197	PAYEN 710394	NK155	PAYEN 710766	NN99100	SEALD 99101	NN99250	SEALD 99250
NK005	PAYEN 710332	NK159	PAYEN 224053	NN99103	SEALD 99103	NN99253	SEALD 99253
NK007	PAYEN 1012N	NK160	PAYEN 710313	NN99106	SEALD 99106	NN99254	SEALD 99254
NK008	PAYEN 239201	NK162	PAYEN 8430S	NN99111	SEALD 99111	NN99256	SEALD 99256
NK009	PAYEN 710168	NK163	PAYEN 1932	NN99112	SEALD 99112	NN99259	SEALD 99259
NK012	PAYEN 710193	NK164	PAYEN 8835S	NN99114	SEALD 99114	NN99260	SEALD 99260
NK014	PAYEN 224205	NK165	PAYEN 8660S	NN99118	SEALD 99118	NN99261	SEALD 99261
NK015	PAYEN 229210	NK166	PAYEN 710453	NN99125	SEALD 99125	NN99262	SEALD 99262
NK022	PAYEN 710336	NK167	PAYEN 710439	NN99128	SEALD 99128	NN99267	SEALD 99267
NK023	PAYEN 711181	NK168	PAYEN 710319	NN99129	SEALD 99129	NN99269	SEALD 99269
NK028	PAYEN 3667	NK169	PAYEN 710189	NN99131	SEALD 99131	NN99272	SEALD 99272
NK034	PAYEN 1932	NK170	PAYEN 229210	NN99133	SEALD 99133	NN99273	SEALD 99273
NK035	PAYEN 1019	NK175	PAYEN 710392	NN99138	SEALD 99138	NN99274	SEALD 99274
NK036	PAYEN 221720	NK176	PAYEN 4904	NN99139	SEALD 99139	NN99275	SEALD 99275
NK040	PAYEN 224979	NK177	PAYEN 710109	NN99143	SEALD 99143	NN99276	SEALD 99276
NK042	PAYEN 222745	NK178	PAYEN 710138	NN99144	SEALD 99144	NN99281	SEALD 99281
NK043	PAYEN 223801	NK180	PAYEN 3051N	NN99146	SEALD 99146	NN99282	SEALD 99282

INTERCHANGE SECTION

COMPETITIVE INTERCHANGES

Mfr No.	Mfr.	National	Mfr No.	Mfr.	National	Mfr No.	Mfr.	National	Mfr No.	Mfr.	National
NN99286	SEALD	99286	NN99525	SEALD	99525	NS223605	BCABG	223605	NS5121	BCABG	5121
NN99287	SEALD	99287	NN99549	SEALD	99549	NS22368	BCABG	710638	NS5682	BCABG	5682
NN99290	SEALD	99290	NN99599	SEALD	99599	NS223830	BCABG	223830	NS5685	BCABG	5685
NN99291	SEALD	99291	NN99606	SEALD	99606	NS223840	BCABG	223840	NS5686	BCABG	5686
NN99293	SEALD	99293	NN99625	SEALD	99625	NS224015	BCABG	224015	NS5694	BCABG	5694
NN99294	SEALD	99294	NN99630	SEALD	99630	NS224210	BCABG	224210	NS5695	BCABG	5695
NN99296	SEALD	99296	NN99650	SEALD	99650	NS224235	BCABG	224235	NS5696	BCABG	5696
NN99298	SEALD	99298	NN99675	SEALD	99675	NS224462	BCABG	224462	NS5697	BCABG	5697
NN99299	SEALD	99299	NN99700	SEALD	99700	NS224520	BCABG	224520	NS5698	BCABG	5698
NN99300	SEALD	99300	NN99750	SEALD	99750	NS224820	BCABG	224820	NS5699	BCABG	5699
NN99303	SEALD	99303	NN99787	SEALD	99787	NS224870	BCABG	224870	NS5700	BCABG	5700
NN99311	SEALD	99311	NO1	ATP	2025	NS225005	BCABG	225005	NS6358	BCABG	6358
NN99312	SEALD	99312	NO10	ATP	3771	NS225010	BCABG	225010	NS6815	BCABG	6815
NN99313	SEALD	99313	NO11	ATP	1953	NS225082	BCABG	225082	NS710067	BCABG	710067
NN99315	SEALD	99315	NO12	ATP	222745	NS225220	BCABG	225220	NS710069	BCABG	710069
NN99322	SEALD	99322	NO13	ATP	223050	NS225225	BCABG	225225	NS710072	BCABG	710072
NN99324	SEALD	99324	NO14	ATP	223510	NS225230	BCABG	225230	NS710073	BCABG	710073
NN99325	SEALD	99325	NO16	ATP	1965	NS225275	BCABG	225275	NS710076	BCABG	710076
NN99331	SEALD	99331	NO2	ATP	710051	NS225410	BCABG	225410	NS710092	BCABG	710092
NN99333	SEALD	99333	NO21	ATP	710324	NS225450	BCABG	225450	NS710093	BCABG	710093
NN99334	SEALD	99334	NO23	ATP	710133	NS225500	BCABG	225500	NS710094	BCABG	710094
NN99337	SEALD	99337	NO27	ATP	224663	NS225650	BCABG	225650	NS710097	BCABG	710097
NN99339	SEALD	99339	NO3	ATP	224010	NS225673	BCABG	225673	NS710098	BCABG	710098
NN99340	SEALD	99340	NO31	ATP	710862	NS225875	BCABG	225875	NS710103	BCABG	710103
NN99347	SEALD	99347	NO32	ATP	710265	NS226285	BCABG	226285	NS710106	BCABG	710106
NN99349	SEALD	99349	NO36	ATP	710539	NS226520	BCABG	226520	NS710108	BCABG	710108
NN99350	SEALD	99350	NO37	ATP	710540	NS226610	BCABG	226610	NS710125	BCABG	710125
NN99351	SEALD	99351	NO39	ATP	710862	NS229522	BCABG	229522	NS710127	BCABG	710127
NN99354	SEALD	99354	NO41	ATP	1981	NS3087	BCABG	3087	NS710130	BCABG	710130
NN99356	SEALD	99356	NO57	ATP	2027	NS3357	BCABG	3357	NS710168	BCABG	710168
NN99362	SEALD	99362	NO60	ATP	224255	NS3553	BCABG	3553	NS710171	BCABG	710171
NN99363	SEALD	99363	NO64	ATP	710442	NS370018A	BCABG	370018A	NS710175	BCABG	710175
NN99364	SEALD	99364	NO66	ATP	710598	NS370047A	BCABG	370047A	NS710183	BCABG	710183
NN99367	SEALD	99367	NO70	ATP	710893	NS370247A	BCABG	370247A	NS710191	BCABG	710191
NN99368	SEALD	99368	NO83	ATP	225110	NS3942	BCABG	3942	NS710192	BCABG	710192
NN99369	SEALD	99369	NO85	ATP	710397	NS4099	BCABG	4099	NS710194	BCABG	710194
NN99372	SEALD	99372	NO86	ATP	710484	NS4148	BCABG	4148	NS710215	BCABG	710215
NN99374	SEALD	99374	NO33	ATP	710739	NS415009	BCABG	415009	NS710225	BCABG	710225
NN99376	SEALD	99376	NO34	ATP	710724	NS415960	BCABG	415960	NS710226	BCABG	710226
NN99387	SEALD	99387	NO35	ATP	225010	NS4160	BCABG	4160	NS710227	BCABG	710227
NN99393	SEALD	99393	NS1208	BCABG	1208	NS417158	BCABG	417158	NS710230	BCABG	710230
NN99395	SEALD	99395	NS1213N	BCABG	1213N	NS4175	BCABG	4175	NS710231	BCABG	710231
NN99399	SEALD	99399	NS1928	BCABG	1928	NS4249	BCABG	4249	NS710239	BCABG	710239
NN99401	SEALD	99401	NS1932	BCABG	1932	NS4250	BCABG	4250	NS710240	BCABG	710240
NN99413	SEALD	99413	NS1935	BCABG	1935	NS444116	BCABG	444116	NS710266	BCABG	710266
NN99423	SEALD	99423	NS1936	BCABG	1936	NS455086	BCABG	455086	NS710292	BCABG	710292
NN99424	SEALD	99424	NS1941	BCABG	1941	NS455860	BCABG	455860	NS710293	BCABG	710293
NN99435	SEALD	99435	NS1948	BCABG	1948	NS471271	BCABG	471271	NS710311	BCABG	710311
NN99437	SEALD	99437	NS1949	BCABG	1949	NS471950	BCABG	471950	NS710320	BCABG	710320
NN99450	SEALD	99450	NS1950	BCABG	1950	NS473367	BCABG	473367	NS710323	BCABG	710323
NN99452	SEALD	99452	NS1953	BCABG	1953	NS473677	BCABG	473677	NS710337	BCABG	710337
NN99463	SEALD	99463	NS1955	BCABG	1955	NS4739	BCABG	4739	NS710357	BCABG	710357
NN99468	SEALD	99468	NS1960	BCABG	1960	NS4740	BCABG	4740	NS710393	BCABG	710393
NN99472	SEALD	99472	NS1962	BCABG	1962	NS482126	BCABG	482126	NS710394	BCABG	710394
NN99473	SEALD	99473	NS1973	BCABG	1973	NS4898	BCABG	4898	NS710404	BCABG	710404
NN99475	SEALD	99475	NS1974	BCABG	1974	NS4899	BCABG	4899	NS710430	BCABG	710430
NN99492	SEALD	99492	NS2002	BCABG	2002	NS4904	BCABG	4904	NS710439	BCABG	710439
NN99494	SEALD	99494	NS20446	BCABG	5696	NS493291	BCABG	493291	NS710456	BCABG	710456
NN99498	SEALD	99498	NS2081	BCABG	2081	NS494122	BCABG	494122	NS710459	BCABG	710459
NN99499	SEALD	99499	NS223400	BCABG	223400	NS4990	BCABG	4990	NS710462	BCABG	710462

INTERCHANGE SECTION

COMPETITIVE INTERCHANGES



Mfr No.	Mfr.	National	Mfr No.	Mfr.	National	Mfr No.	Mfr.	National	Mfr No.	Mfr.	National
NS710463	BCABG	710463	O13R	TIMKE	013PKG	OD613	ALLCH	457874	OS5317	BGA	1108
NS710464	BCABG	710464	O14R	TIMKE	014PKG	OE122	ALLCH	415995	OS5368	BGA	224052
NS710467	BCABG	710467	O15R	TIMKE	015PKG	OE122	ALLCH	455013	OS5393	BGA	223235
NS710477	BCABG	710477	O16R	TIMKE	016PKG	OF53	BU-SP	450082	OS5395	BGA	710824
NS710478	BCABG	710478	O17R	TIMKE	017PKG	OF53	BU-SP	473238	OS6300	BGA	222743
NS710519	BCABG	710519	O18R	TIMKE	018PKG	OIT4676	MARMO	473215	OS6306	BGA	710399
NS710529	BCABG	710529	O19R	TIMKE	019PKG	OK1034	EATON	264PKG	OS6382	BGA	223005
NS710563	BCABG	710563	O2003	WILYS	450183	OK21116213	KIA	710316	OS7317	BGA	710707
NS710564	BCABG	710564	O2003	WILYS	472179	OM1177A	FORD	450067	OS7330	BGA	710850
NS710568	BCABG	710568	O2004	WILYS	472179	OM1177A	FORD	473228	OS7353	BGA	710674
NS710569	BCABG	710569	O2005	WILYS	471801	OM1177A1	FORD	450067	OS7375	BGA	710621
NS710570	BCABG	710570	O2088	MASSE	50081	OM1177A1	FORD	473228	OS7377	BGA	710789
NS710571	BCABG	710571	O20R	TIMKE	020PKG	OM1177B	FORD	450067	OS8317	BGA	710785
NS710572	BCABG	710572	O21R	TIMKE	021PKG	OM1177B	FORD	473228	OS8335	BGA	710761
NS710573	BCABG	710573	O22R	TIMKE	022PKG	OM1177C	FORD	450067	OS8337	BGA	710813
NS710584	BCABG	710584	O23R	TIMKE	023PKG	OM1177C	FORD	473228	OS8347	BGA	710614
NS710585	BCABG	710585	O24R	TIMKE	024PKG	OMX10191	ALLCH	415482	OS8350	BGA	710788
NS710586	BCABG	710586	O2501CS	CASE	450415	OMX10525	ALLCH	471442	OS8372	BGA	710618
NS710587	BCABG	710587	O25R	TIMKE	025PKG	OMX10526	ALLCH	240735	OS8377	BGA	224200
NS710588	BCABG	710588	O26R	TIMKE	026PKG	OMX10660	ALLCH	471684	OS8379	BGA	711008
NS710589	BCABG	710589	O27R	TIMKE	027PKG	OMX10660	ALLCH	471698	OS9331	BGA	712009
NS710625	BCABG	710625	O28R	TIMKE	028PKG	OMX1663	ALLCH	55028	OS9335	BGA	710610
NS710626	BCABG	710626	O29R	TIMKE	029PKG	OMX3173	ALLCH	412943	OS9386	BGA	710897
NS710637	BCABG	710637	O30R	TIMKE	030PKG	OMX382	ALLCH	412119	OT200A	MINNM	415021
NS710640	BCABG	710640	O31R	TIMKE	031PKG	OMX382	ALLCH	450101	OTC19003	CONTI	470358
NS710641	BCABG	710641	O32R	TIMKE	032PKG	OMX9396	ALLCH	340009S	OTC19003	CONTI	473231
NS710642	BCABG	710642	O33R	TIMKE	033PKG	OP53	BU-SP	473238	OTC19003	ONAN	470358
NS710755	BCABG	710755	O34R	TIMKE	034PKG	OP54	BU-SP	415937	OTC19003	ONAN	473231
NS710756	BCABG	710756	O35R	TIMKE	035PKG	OP55	BU-SP	417351	P0080	C-P	415058
NS710757	BCABG	710757	O36R	TIMKE	036PKG	OP55	BU-SP	455154	P0081	C-P	455151
NS710758	BCABG	710758	O37R	TIMKE	037PKG	OP56	BU-SP	415001	P0082	C-P	416476
NS710764	BCABG	710764	O3869AB	CASE	470045	OP56	BU-SP	455001	P0082	C-P	455075
NS712938	BCABG	712938	O3869AB	CASE	476838	OS0372	BGA	710676	P0305	C-P	415551
NS8312	BCABG	8312	O38R	TIMKE	038PKG	OS0375	BGA	710553	P0306	C-P	416158
NS8430S	BCABG	8430S	O39R	TIMKE	039PKG	OS0379	BGA	710465	P0307	C-P	416666
NS8974S	BCABG	8974S	O40R	TIMKE	040PKG	OS1314	BGA	710767	P0308	C-P	455280
NS9150S	BCABG	9150S	O41R	TIMKE	041PKG	OS1332	BGA	710790	P0326	C-P	450519
NS9864s	BCABG	9864S	O42R	TIMKE	042PKG	OS1342	BGA	710056	P0326	C-P	471271
NX32440A	JOHND	415995	O43R	TIMKE	043PKG	OS1345	BGA	320348	P0410	C-P	415219
NX32440A	JOHND	455013	O44R	TIMKE	044PKG	OS1350	BGA	710436	P328	DURA	473405
NX33341	JOHND	415437	O45R	TIMKE	045PKG	OS1353	BGA	710331	P629C	DURA	481443
NX33341	JOHND	455173	O52115	ALLCH	417247	OS1362	BGA	710531	P003001	EBERH	471526
NX33649	JOHND	450076	O52641	ALLCH	417267	OS1379	BGA	712008	P003002	EBERH	471466
NX33649	JOHND	470334	O75011152	MAZDA	3771	OS2190	BGA	710935	P003005	EBERH	473225
NXA543	BENDI	470351	O75011153	MAZDA	1217	OS2304	BGA	710415	P003008	EBERH	450069
NXA543	BENDI	471504	OC5004	LETN	416865	OS2323	BGA	228015	P003008	EBERH	473232
O01R	TIMKE	001PKG	OC5004	LETN	455070	OS2346	BGA	710189	P003009	EBERH	450070
O02R	TIMKE	002PKG	OC6303	BGA	710811	OS2356	BGA	710290	P003009	EBERH	472185
O03R	TIMKE	003PKG	OC6307	BGA	710449	OS2387	BGA	710894	P003010	EBERH	450082
O04R	TIMKE	004PKG	OC6369	BGA	710787	OS26	GR-DV	470328	P003010	EBERH	473238
O05R	TIMKE	005PKG	OC6374	BGA	710600	OS26	GR-DV	481213	P003012	EBERH	450117
O06R	TIMKE	006PKG	OC6397	BGA	710617	OS3304	BGA	228008	P003012	EBERH	472572
O07R	TIMKE	007PKG	OCB521	CLSTL	480630	OS3324	BGA	710765	P003013	EBERH	471442
O08R	TIMKE	008PKG	OCB521	CLSTL	480991	OS3383	BGA	710232	P003014	EBERH	471224
O09R	TIMKE	009PKG	OD248	ALLCH	416654	OS375	GMC	330385	P003015	EBERH	471192
O10R	TIMKE	010PKG	OD248	ALLCH	455012	OS4332	BGA	710255	P003019	EBERH	473226
O11R	TIMKE	011PKG	OD2973U238	WHITE	340413	OS4370	BGA	716484	P003020	EBERH	471763
O12R	TIMKE	012PKG	OD307	ALLCH	455018	OS4373	BGA	716484	P003021	EBERH	470163
O132034	GMC	470059	OD307	ALLCH	476470	OS5309	BGA	710332	P003021	EBERH	471766
O132034	GMC	470380	OD5219	LETN	415371	OS5314	BGA	1108	P003022	EBERH	473424

INTERCHANGE SECTION

COMPETITIVE INTERCHANGES

Mfr No.	Mfr.	National	Mfr No.	Mfr.	National	Mfr No.	Mfr.	National	Mfr No.	Mfr.	National
P003023	EBERH	471801	P2202	ITM	1994	P3167	ITM	473016	P4788	ITM	1176
P003024	EBERH	471571	P22351	JOHND	411245	P3168	ITM	472492	P4789	ITM	1180
P003026	EBERH	473236	P22351	JOHND	455096	P3242	ITM	7399S	P4795	ITM	1959
P003032	EBERH	450342	P2269	TEREL	413246	P3315	ITM	450076	P4802	ITM	223542
P003035	EBERH	472012	P2269	TEREL	413246N	P3315	ITM	470334	P49483	WABCO	240009
P003041	EBERH	471652	P2343	TEREL	473238	P3337	TEREL	473442	P494832	WABCO	240414
P003042	EBERH	472354	P2360	TEREL	471272	P3339	TEREL	470682	P4954	ITM	1213N
P003042	EBERH	50395S	P2374	TEREL	472179	P3348	ITM	471870	P497	PORTR	415047
P003055	EBERH	481792	P2387	TEREL	471692	P3348	ITM	471883	P50117335B	MAZDA	7692S
P003056	EBERH	471730	P2388	TEREL	473215	P3385	TEREL	413247	P50217335	MAZDA	1981
P003119	EBERH	481397	P2410	ITM	472164	P34195	JOHND	415995	P51322	PACIF	417357
P00527165	MAZDA	712011	P2411	TEREL	473237	P34195	JOHND	455013	P51418	PACIF	415379
P01627238	MAZDA	223842	P24112	BUC-E	470086	P3446	ITM	224040	P51898	PACIF	470898
P01727165	MAZDA	712011	P2412	BUC-E	416107	P3462	TEREL	476470	P5339	MASSE	470169
P04327238	MAZDA	223842	P2412	BUC-E	455073	P3485	ITM	226020	P5339	MASSE	473214
P04327238A	MAZDA	223842	P24149	JOHND	450185	P3487	ITM	224045	P5364Z	WITTE	472439
P1011	JOHND	471570	P24149	JOHND	473229	P3494	ITM	340823	P6085	ITM	1180
P1012	JOHND	470045	P2419	TEREL	415449	P3498	ITM	471224	P6085	PETTI	450104
P1012	JOHND	476838	P2420	TEREL	472397	P3509	ITM	473228	P6089	PETTI	55030
P1019	DEXTR	473336	P2424	TEREL	410163	P3509	ITM	51098	P6090	PETTI	415047
P116	REULD	470403	P2424	TEREL	471766	P3511	ITM	471192	P6096	PETTI	455151
P116	REULD	470774	P243	BUC-E	415116	P3573	TEREL	472924	P6112	ITM	1174
P127	REULD	416664	P24341	JOHND	450067	P3587	TEREL	471692	P611810	KRSE	473238
P127	REULD	455364	P24341	JOHND	473228	P3591	BU-SP	450352	P611811	KRSE	J1105
P12710	ATHEY	471689	P2441	TEREL	473237	P3591	BU-SP	472164	P6131	BU-SP	455018
P1362	JOHND	471529	P25147	BUC-E	455195	P3592	BU-SP	415138	P6131	BU-SP	476470
P14212	SKF	416888	P25147	BUC-E	472157	P3597	BU-SP	450083	P6132	BU-SP	417298
P14730	FORD	471820	P2559	TEREL	470380	P3597	BU-SP	472924	P6133	BU-SP	416865
P14730	PETTI	470062	P2562	TEREL	471138	P3618	TEREL	471689	P6133	BU-SP	455070
P14730	PETTI	474264	P2598	TEREL	470565	P3619	TEREL	471224	P6174	ITM	472213
P14731	FORD	471820	P2604	TEREL	471766	P3655	ITM	224045	P6177	ITM	224235
P14732	FORD	450066	P2612	TEREL	471981	P3835	ITM	471737	P6178	ITM	224025
P14732	FORD	473367	P2621	TEREL	472164	P39080002	LAVOI	240435	P6179	ITM	3771
P14732	PETTI	471820	P2625	ITM	470898	P39080005	LAVOI	240716	P6201	ITM	224520
P1651	C-P	415645	P2625	TEREL	473215	P391	PORTR	415302	P6205	ITM	1994
P1651	C-P	455104	P26500	JOHND	470027	P3911	ITM	470898	P6213	ITM	223542
P1652	C-P	417487	P26500	JOHND	471554	P392	PORTR	415995	P6247	ITM	1174
P1652	C-P	455014	P2672	TEREL	470605	P392	PORTR	455013	P6262	BU-SP	417357
P1653	C-P	415991	P2674	ITM	224045	P3933	ITM	2655	P6262	BU-SP	455192
P1653	C-P	455146	P2704	TEREL	473239	P3952	ITM	470487N	P6296	BU-SP	415991
P16685	ATHEY	453165	P2707	TEREL	J1117	P3971	ITM	472258	P6296	BU-SP	455146
P16685	ATHEY	471619	P2749	TEREL	410102	P3973	ITM	224520	P6298	BU-SP	417556
P1780	C-P	55078S	P2755	TEREL	451078	P3974	ITM	1973	P6298	ITM	224270
P179	KOEH	350364	P2803	TEREL	471835	P3987	TEREL	471833	P6299	BU-SP	416239
P190	BUC-E	417269	P2804	TEREL	473010	P3990	TEREL	J1103	P629B	DURA	472826
P19234	ATHEY	450115	P2805	TEREL	473232	P3991	TEREL	J1105	P6301	ITM	1209
P19234	ATHEY	473467	P28112	BUC-E	470086	P39A217	CONTI	473460	P6304	ITM	1012N
P1936	C-P	417247	P2812	BUC-E	415072	P40057	JOHND	472439	P6305	ITM	1208
P1941	C-P	450085	P283	BUC-E	417604	P41721	JOHND	471270	P6319	ITM	482126
P1941	C-P	470530	P2871	ITM	224015	P41721H	JOHND	471270	P6366	ITM	224015
P2003	TEREL	41075S	P2879	TEREL	471984	P4187	TEREL	415259	P6367	ITM	224045
P20254	JOHND	472234	P2900	TEREL	471649	P43181	ROOTE	330385	P6369	ITM	5778
P20255	JOHND	415991	P2BA7603	GN-TI	6283S	P43561	ROOTE	472492	P6373	ITM	1174
P20255	JOHND	455146	P3045	TEREL	J1109	P4535	ITM	3771	P6375	ITM	1183
P20274	JOHND	412861	P3059	TEREL	471760	P4544	ITM	1174	P6376	ITM	224045
P2044	TEREL	476470	P3091	ITM	472299	P4609	ITM	471652	P6377	ITM	1981
P2045	TEREL	473224	P3130	ITM	473234	P4646	ITM	1012N	P6378	ITM	1992
P213587	KRSE	470605	P3140	ITM	450183	P4747	ITM	224045	P6428	ITM	224820
P2180	TEREL	473446	P3140	ITM	472179	P4784	ITM	223840	P6430	ITM	1196
P2183	TEREL	472397	P3156	ITM	473241	P4785	ITM	1177	P6478	ITM	1167

INTERCHANGE SECTION

COMPETITIVE INTERCHANGES



Mfr No.	Mfr. National	Mfr No.	Mfr. National	Mfr No.	Mfr. National	Mfr No.	Mfr. National
P6492	ITM 1955	P7752201	GLASE 710767	P7985	ITM 1012N	PECP1432	FORD 203013
P6500	ITM 473823	P7752301	GLASE 710765	P7989	ITM 482126	PECP1477	FORD 291099
P6502	ITM 1213N	P7753001	GLASE 710056	P7M9697	CATER 473447	PEO9521	FORD 450352
P6505	ITM 228020	P7753111	GLASE 229210	P80179KE	PARK 410519	PEO9521	FORD 472164
P6534	ITM 1173	P7754101	GLASE 228250	P80179KE	PARK 471271	PGF10435	AU-WS 8650S
P6536	ITM 1188	P7754201	GLASE 710794	P9318801	GLASE 224663	PGF2788	AU-WS 417205
P6585	ITM 1953	P7754401	GLASE 320348	P9318901	GLASE 229005	PGF2794	AU-WS 416891
P6586	ITM 3771	P7755001	GLASE 710860	P9319001	GLASE 710436	PGF2872	AU-WS 450083
P6606	BU-SP 416892	P7755101	GLASE 710189	P96184	KRSE 415458	PGF2872	AU-WS 472924
P6671	ITM 1950	P7755901	GLASE 710520	P970	PORTR 476470	PGF2992	AU-WS 450085
P66851	VIC 224235	P775600	GLASE 710521	P971	PORTR 415995	PGF2992	AU-WS 470530
P6800	BU-SP 415072	P7756501	GLASE 710610	P971	PORTR 455013	PGF3062	AU-WS 473463
P6881	BU-SP 415551	P7756601	GLASE 224053	P975	PORTR 415138	PGF3216	AU-WS 472636
P70305	ALLCH 450301	P7757501	GLASE 714436	P977	PORTR 415196	PGF3216A	AU-WS 410316
P70305	ALLCH 472397	P7757701	GLASE 223012	PA1099	IDECO 417603	PGF3216A	AU-WS 472636
P7605411	GLASE 223005	P7757801	GLASE 3771	PA1099	INTDE 417603	PGF4373	AU-WS 417488
P7608001	GLASE 710332	P7757901	GLASE 223018	PA117	ALLCH 450441	PGF4511	AU-WS 415147
P7608501	GLASE 710824	P7758001	GLASE 223235	PA117	ALLCH 471341	PGF4511	AU-WS 415449
P7609601	GLASE 710618	P7758101	GLASE 710310	PA1188	INTDE 416666	PGF4619	AU-WS 470605
P7609801	GLASE 713771	P7758501	GLASE 3771	PA1189	IDECO 455480	PGF4921	AU-WS 415960
P7614301	GLASE 710620	P7759401	GLASE 224053	PA1189	INTDE 455480	PGF4922	AU-WS 39302
P7619401	GLASE 710190	P7759501	GLASE 2025	PA1229	IDECO 415138	PGF6023	AU-WS 472179
P7622001	GLASE 716484	P7760001	GLASE 222743	PA1229	INTDE 415138	PGF6024	AU-WS 415147
P7647101	GLASE 710550	P7760201	GLASE 712008	PA1675	INTDE 415116	PGF6024	AU-WS 415449
P7648101	GLASE 711002	P7761801	GLASE 710886	PA2108	MINNM 470548	PGF6024A	AU-WS 415147
P7706001	GLASE 223220	P7762101	GLASE 710451	PA2108	MINNM 470625	PGF6024A	AU-WS 415449
P7714101	GLASE 223802	P7762201	GLASE 710819	PA2467	INTDE 415066	PGF6050	AU-WS 415036
P7715301	GLASE 710812	P7763001	GLASE 710642	PA303	ATHEY 450054	PGF8089	AU-WS 412040
P7718101	GLASE 3476	P7766301	GLASE 710531	PA3709	AM CH 450040	PGF8447	AU-WS 416921
P7718301	GLASE 710617	P7766601	GLASE 710674	PA3710	AM CH 470169	PGF8447	AU-WS 455011
P7731801	GLASE 710759	P7767101	GLASE 710332	PA3710	AM CH 473214	PGF8486	AU-WS 470027
P7732101	GLASE 320348	P7767201	GLASE 228015	PA42218	MERIX 412871	PGF8486	AU-WS 471554
P7733101	GLASE 320348	P7767601	GLASE 710449	PA42218	MERIX 450329	PGF8611	AU-WS 450133
P7733501	GLASE 710786	P7769101	GLASE 710785	PA42218	ROCKW 412871	PGF8612	AU-WS 470605
P7735301	GLASE 710789	P7771901	GLASE 228008	PA42218	ROCKW 450329	PGF8764	AU-WS 450083
P7735701	GLASE 710822	P7772001	GLASE 710608	PA489	IDECO 415035	PGF8764	AU-WS 472924
P7736201	GLASE 710761	P7773301	GLASE 223802	PA489	IDECO 455035	PGF8809	AU-WS 412040
P7736301	GLASE 711001	P7773501	GLASE 712009	PA767	IDECO 415725	PGF8809A	B-L-H 412040
P7736501	GLASE 710600	P7773701	GLASE 710935	PA861	MINNM 450067	PGF8839	AU-WS 473440
P7738701	GLASE 710788	P7773801	GLASE 710936	PA861	MINNM 473228	PGF8839A	AU-WS 473440
P7739201	GLASE 710290	P7774601	GLASE 710707	PA988	IDECO 415128	PGF8840	AU-WS 450291
P7740901	GLASE 710799	P7777501	GLASE 710639	PA988	INTDE 415128	PGF8840	AU-WS 471141
P7741001	GLASE 710785	P7777801	GLASE 710621	PB0167	WABCO 471760	PGF8840A	AU-WS 450291
P7741301	GLASE 223801	P7778901	GLASE 710850	PB1039	WABCO 415124	PGF8840A	AU-WS 471141
P7741401	GLASE 710676	P7781701	GLASE 710787	PB3096	WABCO 710028	PGF8857	AU-WS 473224
P774241	GLASE 710790	P7782301	GLASE 710187	PB425	HART 480210	PGF8857A	AU-WS 473224
P7743201	GLASE 2012V	P7782401	GLASE 710526	PB426	HART 451583	PGF8857A	CLARK 473224
P7744201	GLASE 224200	P7783501	GLASE 223750	PB4399	WABCO 417608	PGF8861	AU-WS 450472
P7745101	GLASE 710887	P7783901	GLASE 710279	PB4665	CATER 455310	PGF8861A	AU-WS 450472
P7746101	GLASE 320348	P7784501	GLASE 223750	PB4665	WABCO 455310	PGF8940	AU-WS 340385
P7746301	GLASE 710811	P7923	ITM 224020	PBN7048A	FORD 415988	PGF8941	AU-WS 340771
P7748401	GLASE 710553	P7951	ITM 1217	PC1571	CLARK 416167	PGF8946	AU-WS 350414
P7748901	GLASE 710611	P7954	ITM 1962	PC1571	CLARK 455091	PGF8946	AU-WS 472311
P7749001	GLASE 223750	P7955	ITM 1949	PC173	CLARK 415272N	PGF8998	AU-WS 40395
P7749501	GLASE 224460	P7963	ITM 1953	PC1731	CLARK 416167	PGF8998	AU-WS 40395S
P7749801	GLASE 710255	P7967	ITM 1960	PC1731	CLARK 455091	PGF9124	AU-WS 472636
P7750501	GLASE 710334	P7968	ITM 1956	PC173A	CLARK 417344	PGF9192	AU-WS 417487
P7750901	GLASE 227235	P7972	ITM 1974	PD1039	WABCO 415124	PGF9192	AU-WS 455014
P7751501	GLASE 710465	P7976	ITM 473238	PD16624	MASSE 471760	PGF9736	AU-WS 450067
P7751701	GLASE 228005	P7979	ITM 1012N	PE0110602	MAZDA 710264	PGF9736	AU-WS 473228

INTERCHANGE SECTION

COMPETITIVE INTERCHANGES

Mfr No.	Mfr.	National	Mfr No.	Mfr.	National	Mfr No.	Mfr.	National	Mfr No.	Mfr.	National
PGF9736A	AU-WS	450067	PM203029	JOHND	203029	PR1083	ITM	455151	PR1221	ITM	5827
PGF9736A	AU-WS	473228	PM204005	JOHND	204005	PR1086	ITM	351466	PR1223	ITM	471564
PH0155	RACIN	450188	PM204013	JOHND	204013	PR1086	ITM	471466	PR1226	ITM	474253
PH15	CALSO	204038	PM204035	JOHND	204035	PR1092	ITM	415234	PR1227	ITM	470680
PH200B	WISCO	40337S	PM204500	JOHND	204500	PR1093	ITM	40576S	PR1227	ITM	471570
PH234A	STN-S	470027	PM204506	JOHND	204506	PR1094	ITM	471766	PR1234	ITM	470680
PH234A	STN-S	471554	PM204507	JOHND	204507	PR1095	ITM	471766	PR1234	ITM	471570
PH234A	WISCO	470027	PM240319	JOHND	240319	PR1096	ITM	471766	PR1235	ITM	410737
PH234A	WISCO	471554	PM2893	F-R-H	450441	PR1100	ITM	473450	PR1235	ITM	470737
PH264	WISCO	470120	PM2893	F-R-H	471341	PR1104	ITM	471766	PR1237	ITM	473473
PH264	WISCO	471224	PM415259	JOHND	415259	PR1112	ITM	416738	PR1238	ITM	415449
PH264A	WISCO	470120	PMB7657A	FORD	7300S	PR1118	ITM	470954	PR1239	ITM	472409
PH264A	WISCO	471224	PMB7657A1	FORD	7300S	PR1123	ITM	481537	PR1240	ITM	471224
PH265	WISCO	470712	PMB7657A3	FORD	7300S	PR1127	ITM	472394	PR1242	ITM	411330N
PH265A	WISCO	470712	PMB7657B3	FORD	7300S	PR1128	ITM	472394	PR1245	ITM	340120
PH269	CASE	450183	PME5796	STUDE	455018	PR1130	ITM	470954	PR1253	ITM	5924
PH269	CASE	472179	PME5796	STUDE	476470	PR1132	ITM	350954	PR1255	ITM	410737
PH269	WISCO	450183	PO1	ATP	8160S	PR1132	ITM	470954	PR1255	ITM	470737
PH269	WISCO	472179	PO2	ATP	6879H	PR1134	ITM	350954	PR1257	ITM	470553
PH270A	STN-S	41264S	PO5653M	VIC	415379	PR1134	ITM	470954	PR1257	ITM	471224
PH270A	WISCO	41264S	PO9635M	VIC	416011	PR1138	ITM	472439	PR1258	ITM	410308
PH272A	WISCO	471689	PO9635M	VIC	417621	PR1139	ITM	2287	PR1258	ITM	473468
PH278	CASE	417316	PO9781M	DANA	415013N	PR1140	ITM	470954	PR1259	ITM	410987
PH278	CASE	455004	PO9781M	DANA	415995V	PR1142	ITM	470954	PR1261	ITM	340815
PH278	WISCO	417316	PP1296	ALTFO	40389S	PR1143	ITM	350954	PR1263	ITM	417481
PH278	WISCO	455004	PP347	ALTFO	415449	PR1143	ITM	470954	PR1268	ITM	472287
PH280	STN-S	473426	PP347	ALTFO	455147	PR1144	ITM	473179	PR1269	ITM	471270
PH280	WISCO	473426	PP393	ALTFO	415995	PR1145	ITM	45637S	PR1271	ITM	240151
PH283	STN-S	240119	PP393	ALTFO	455013	PR1146	ITM	470954	PR1273	ITM	352560
PH283	WISCO	240119	PP624	ALTFO	455018	PR1148	ITM	470954	PR1273	ITM	472560N
PH284	WISCO	450117	PP624	ALTFO	476470	PR1148	ITM	480954	PR1275	ITM	473234
PH284	WISCO	472572	PP650	ALTFO	415072	PR1150	ITM	470601	PR1278	ITM	473215
PH285	WISCO	471529	PR1004	ITM	5751	PR1152	ITM	5976S	PR1281	ITM	481864
PH292	WISCO	471571	PR1007	ITM	350364	PR1153	ITM	340850	PR1284	ITM	450065
PH299	CASE	473227	PR1008	ITM	240385	PR1157	ITM	473467	PR1293	ITM	471647
PH299	COC	473227	PR1011	ITM	330385	PR1158	ITM	473440	PR1297	ITM	472560N
PH299	WISCO	473227	PR1018	ITM	330385	PR1163	ITM	413469	PR1297	ITM	50151S
PH327	WISCO	471870	PR1023	ITM	455134	PR1165	ITM	480821	PR1298	ITM	471413
PH327	WISCO	471883	PR1026	ITM	415041	PR1166	ITM	342517	PR1300	ITM	471651
PH344	WISCO	470064	PR1029	HU-WR	412943	PR1171	ITM	411253	PR1302	ITM	43071S
PH344	WISCO	471821	PR1030	ITM	370036A	PR1173	ITM	473416	PR1303	ITM	471651
PH364	WISCO	471862	PR1031	ITM	473229	PR1174	ITM	473462	PR1305	ITM	471827
PH374	WISCO	472826	PR1037	ITM	455336	PR1175	ITM	5778	PR1306	ITM	471652
PH378	WISCO	473213	PR1039	ITM	350156	PR1182	ITM	471316	PR1308	ITM	471820
PH382	WISCO	450301	PR1039	ITM	473096	PR1183	ITM	5756	PR1311	ITM	471643
PH382	WISCO	472397	PR1044	ITM	43080S	PR1185	ITM	410190	PR1312	ITM	471643
PH382A	WISCO	450301	PR1045	ITM	353132	PR1189	ITM	470898	PR1314	ITM	471643
PH382A	WISCO	472397	PR1052	ITM	471442	PR1192	ITM	472452	PR1316	ITM	481644
PH391	WISCO	450085	PR1057	ITM	351487	PR1195	ITM	471267	PR1318	ITM	471646
PH391	WISCO	470530	PR1065	ITM	474277	PR1196	ITM	7600S	PR1319	ITM	471646
PH451	WISCO	6936S	PR1067	ITM	471526	PR1199	ITM	5836	PR1320	ITM	470062
PH529	WISCO	471737	PR1070	ITM	471526	PR1201	ITM	470354	PR1320	ITM	474264
PH557A	WISCO	8597S	PR1072	ITM	471526	PR1202	ITM	471267	PR1321	ITM	6324S
PK524	AM BO	471532	PR1075	ITM	471281	PR1204	ITM	351267	PR1326	ITM	472705
PK524U	AM BO	471532	PR1076	ITM	415003	PR1204	ITM	471267	PR1330	ITM	471649
PL30361PA,	ROLLS	710780	PR1076	ITM	415458	PR1206	ITM	340787	PR1331	ITM	471649
PL379	CONTI	470120	PR1078	ITM	351466	PR1210	ITM	40286	PR1332	ITM	473215
PL379	CONTI	471224	PR1078	ITM	471466	PR1214	ITM	350414	PR1333	ITM	473211
PM200322	JOHND	200322	PR1079	ITM	415234	PR1214	ITM	472311	PR1334	ITM	470625
PM200886	JOHND	200886	PR1082	ITM	416921	PR1220	ITM	471224	PR1337	ITM	471787

INTERCHANGE SECTION

COMPETITIVE INTERCHANGES



Mfr No.	Mfr. National	Mfr No.	Mfr. National	Mfr No.	Mfr. National	Mfr No.	Mfr. National
PR1339	ITM 471652	PR1435	ITM 50197S	PR1583	ITM 450329	PR1779	ITM 473229
PR1340	ITM 6626S	PR1451	ITM 470062	PR1584	ITM 473463	PR1781	ITM 472164
PR1343	ITM 415836	PR1451	ITM 474264	PR1585	ITM 415085	PR1782	ITM 472164
PR1343	ITM 415995	PR1453	ITM 471735	PR1585	ITM 456648	PR1783	ITM 472164
PR1346	ITM 417316	PR1457	ITM 470950	PR1589	ITM 471787	PR1788	ITM 450494
PR1349	ITM 8059S	PR1457	ITM 6241S	PR1590	ITM 417316	PR1788	ITM 472164
PR1353	ITM 415001	PR1458	ITM 470712	PR1593	ITM 484054	PR1790	ITM 472041
PR1356	ITM 474260	PR1459	ITM 470712	PR1594	ITM 415697	PR1790	ITM 473454
PR1358	ITM 470328	PR1460	ITM 470712	PR1594	ITM 455547	PR1792	ITM 471195
PR1358	ITM 481213	PR1461	ITM 471466	PR1595	ITM 484054	PR1792	ITM 481195
PR1361	ITM 474278	PR1469	ITM 471737	PR1596	ITM 6760S	PR1810	ITM 470682
PR1363	ITM 471419	PR1474	ITM 352354	PR1599	ITM 470774	PR1817	ITM 472185
PR1363	ITM 473367	PR1474	ITM 472354	PR1603	ITM 3395	PR1823	ITM 472439
PR1365	ITM 471684	PR1475	ITM 330663	PR1606	ITM 7537S	PR1824	ITM 471424
PR1365	ITM 471698	PR1475	ITM 472354	PR1612	ITM 471795	PR1834	ITM 471868
PR1366	ITM 471337	PR1476	ITM 412119	PR1613	ITM 416297	PR1836	ITM 471870
PR1367	ITM 472951	PR1482	ITM 450776	PR1614	ITM 471795	PR1836	ITM 471883
PR1367	ITM 474252	PR1493	ITM 410190	PR1615	ITM 471795	PR1840	ITM 450765
PR1368	ITM 450365	PR1495	ITM 455024	PR1617	ITM 450666	PR1841	ITM 323119
PR1368	ITM 470898	PR1501	ITM 471760	PR1618	ITM 473211	PR1843	ITM 323119
PR1369	ITM 472951	PR1503	ITM 416865	PR1620	ITM 470308N	PR1846	ITM 470543
PR1369	ITM 474252	PR1504	ITM 471762	PR1624	ITM 6781	PR1846	ITM 474272
PR1372	ITM 6064	PR1506	ITM 471763	PR1625	ITM 471192	PR1847	ITM 473440
PR1374	ITM 415960	PR1508	ITM 414268	PR1626	ITM 471192	PR1856	ITM 472179
PR1375	ITM 471688	PR1508	ITM 450539	PR1630	ITM 473224	PR1857	ITM 472572
PR1376	ITM 471689	PR1511	ITM 471765	PR1643	ITM 472070	PR1860	ITM 473241
PR1378	ITM 471831	PR1512	ITM 471765	PR1644	ITM 44052	PR1861	ITM 472492
PR1379	ITM 472636	PR1513	ITM 471765	PR1651	ITM 474255	PR1862	ITM 472492
PR1380	ITM 417172	PR1514	ITM 40769S	PR1652	ITM 471801	PR1863	ITM 472492
PR1381	ITM 471689	PR1515	ITM 417485	PR1653	ITM 471801	PR1865	ITM 331107N
PR1383	ITM 471869	PR1518	ITM 410694	PR1661	ITM 50468	PR1868	ITM 473204
PR1383	ITM 473459	PR1519	ITM 240356	PR1667	ITM 470625	PR1879	ITM 473444
PR1384	ITM 471689	PR1522	ITM 6635S	PR1669	ITM 470625	PR1883	ITM 473238
PR1385	ITM 450467	PR1524	ITM 415025	PR1679	ITM 450400	PR1884	ITM 473238
PR1387	ITM 471689	PR1525	ITM 471272	PR1681	ITM 471808	PR1885	ITM 472144
PR1390	ITM 471689	PR1527	ITM 5403	PR1690	ITM 7044NA	PR1886	ITM 472924
PR1391	ITM 472016	PR1528	ITM 5401	PR1696	ITM 482126	PR1887	ITM 472924
PR1392	ITM 471413V	PR1529	ITM 450444	PR1701	ITM 42081S	PR1888	ITM 451948
PR1395	ITM 473203	PR1529	ITM 471835	PR1703	ITM 473215	PR1899	ITM 470989
PR1396	ITM 453165	PR1532	ITM 417172	PR1704	ITM 473215	PR1902	ITM 471984
PR1396	ITM 471619	PR1533	ITM 474253	PR1707	ITM 473231	PR1903	ITM 471984
PR1400	ITM 417267	PR1538	ITM 472258	PR1710	ITM 473231	PR1906	ITM 7044NA
PR1402	ITM 472636	PR1540	ITM 471192	PR1713	ITM 473237	PR1907	ITM 473239
PR1404	ITM 450593	PR1545	ITM 474276	PR1714	ITM 473237	PR1908	ITM 473239
PR1405	ITM 416011	PR1546	ITM 473313	PR1717	ITM 473237	PR1911	ITM 472394
PR1405	ITM 417621	PR1547	ITM 481163	PR1718	ITM 473231	PR1912	ITM 472394
PR1406	ITM 415437	PR1548	ITM 481163	PR1721	ITM 473237	PR1914	ITM 472394
PR1408	ITM 471141	PR1549	ITM 416476	PR1725	ITM 471818	PR1915	ITM 410308
PR1410	ITM 476283N	PR1551	ITM 471413	PR1729	ITM 470064	PR1915	ITM 473468
PR1413	ITM 416125	PR1554	ITM 6358	PR1729	ITM 471821	PR1916	ITM 472397
PR1419	ITM 476838	PR1559	ITM 471192	PR1731	ITM 473445	PR1917	ITM 450301
PR1420	ITM 476838	PR1561	ITM 416444	PR1732	ITM 470351	PR1917	ITM 472397
PR1421	ITM 412119	PR1562	ITM 417491	PR1736	ITM 451817	PR1918	ITM 472492
PR1422	ITM 415060	PR1571	ITM 453165	PR1751	ITM 470680	PR1921	ITM 330385
PR1423	ITM 473425	PR1571	ITM 471619	PR1751	ITM 471570	PR1924	ITM 473467
PR1426	ITM 42763	PR1572	ITM 7600S	PR1758	ITM 473214	PR1927	ITM 410520
PR1428	ITM 323138	PR1576	ITM 471785	PR1760	ITM 473226	PR1927	ITM 471272
PR1433	ITM 418028	PR1577	ITM 471785	PR1764	ITM 473228	PR1928	ITM 471272
PR1433	ITM 455137	PR1582	ITM 471787	PR1772	ITM 473229	PR1929	ITM 470605
PR1435	ITM 471103	PR1583	ITM 412871	PR1773	ITM 473229	PR1930	ITM 472397

INTERCHANGE SECTION

COMPETITIVE INTERCHANGES

Mfr No.	Mfr. National	Mfr No.	Mfr. National	Mfr No.	Mfr. National	Mfr No.	Mfr. National
PR1931	ITM 471272	PR2063	ITM 472164	PR2165	ITM 412861	PR2325	ITM 471141
PR1932	ITM 471272	PR2064	ITM 416154	PR2169	ITM 471689	PR2326	ITM 416921
PR1933	ITM 471272	PR2065	ITM 471765	PR2170	ITM 417073	PR2328	ITM 480630
PR1934	ITM 473241	PR2066	ITM 471868	PR2174	ITM 240151	PR2330	ITM 472164
PR1937	ITM 470764	PR2067	ITM 413247	PR2176	ITM 415001	PR2331	ITM 415836
PR1938	ITM 471341	PR2069	ITM 473231	PR2183	ITM 6863S	PR2331	ITM 415995
PR1939	ITM 470764	PR2070	ITM 450133	PR2184	ITM 5458	PR2332	ITM 415836
PR1941	ITM 40555	PR2073	ITM 413247	PR2189	ITM 472409	PR2332	ITM 415995
PR1941	ITM 40555S	PR2075	ITM 471281	PR2190	ITM 472492	PR2334	ITM 415013
PR1945	ITM 410308	PR2076	ITM 413247	PR2194	ITM 471076	PR2334	ITM 415995
PR1945	ITM 473468	PR2077	ITM 413247	PR2197	ITM 415303	PR2336	ITM 416404
PR1951	ITM 470565	PR2079	ITM 413478	PR2198	ITM 227040	PR2338	ITM 416404
PR1952	ITM 471138	PR2080	ITM 450400	PR2210	ITM 451143	PR2339	ITM 415563
PR1953	ITM 472150	PR2081	ITM 352560	PR2211	ITM 340787	PR2339	ITM 417433
PR1958	ITM 43290S	PR2081	ITM 472560N	PR2219	ITM 416273	PR2340	ITM 415563
PR1965	ITM 482267	PR2082	ITM 470605	PR2223	ITM 6241S	PR2340	ITM 417433
PR1968	ITM 226020	PR2086	ITM 413248	PR2224	ITM 8133S	PR2341	ITM 415563
PR1978	ITM 473464	PR2087	ITM 470334	PR2225	ITM 415988	PR2341	ITM 417433
PR1981	ITM 330385	PR2088	ITM 450104	PR2227	ITM 343105	PR2352	ITM 473243
PR1985	ITM 471887	PR2092	ITM 415984	PR2227	ITM 7399S	PR2353	ITM 415138
PR1986	ITM 472029	PR2093	ITM 417082	PR2230	ITM 415458	PR2355	ITM 416011
PR1988	ITM 473243	PR2095	ITM 473466	PR2238	ITM 200851	PR2355	ITM 417621
PR1989	ITM 473245	PR2096	ITM 412473	PR2241	ITM 413478	PR2356	ITM 415156N
PR1990	ITM 472636	PR2096	ITM 415894	PR2243	ITM 470605	PR2360	ITM 343105
PR1993	ITM 450316	PR2097	ITM 471733	PR2244	ITM 470605	PR2360	ITM 7399S
PR1993	ITM 472636	PR2099	ITM 415449	PR2245	ITM 2503N	PR2361	ITM 473010
PR1998	ITM 471271	PR2100	ITM 411376	PR2246	ITM 415449	PR2363	ITM 415442
PR1999	ITM 471271	PR2101	ITM 417344	PR2247	ITM 411376	PR2365	ITM 415086N
PR2002	ITM 415150	PR2102	ITM 455186	PR2249	ITM 473235	PR2365	ITM 417487
PR2003	ITM 417343	PR2105	ITM 471564	PR2253	ITM 470954	PR2367	ITM 415086N
PR2005	ITM 416666	PR2106	ITM 471766	PR2257	ITM 415563	PR2367	ITM 417487
PR2006	ITM 415645	PR2107	ITM 471567	PR2257	ITM 417433	PR2368	ITM 450143
PR2007	ITM 417196	PR2108	ITM 413246	PR2258	ITM 417355	PR2369	ITM 415086N
PR2008	ITM 456105	PR2108	ITM 413246N	PR2262	ITM 5408	PR2369	ITM 417487
PR2009	ITM 473423	PR2111	ITM 412473	PR2263	ITM 417343	PR2370	ITM 471554
PR2010	ITM 471553	PR2111	ITM 415894	PR2264	ITM 417316	PR2371	ITM 416288
PR2021	ITM 5487	PR2112	ITM 471763	PR2267	ITM 417316	PR2373	ITM 416470N
PR2029	ITM 473426	PR2114	ITM 415449	PR2270	ITM 455005	PR2374	ITM 455018
PR2030	ITM 340495	PR2115	ITM 416921	PR2272	ITM 470062	PR2374	ITM 476470
PR2032	ITM 412943	PR2116	ITM 415449	PR2272	ITM 474264	PR2375	ITM 476470
PR2033	ITM 8059S	PR2121	ITM 472492	PR2274	ITM 471862	PR2376	ITM 476470
PR2035	ITM 471750	PR2122	ITM 471271	PR2276	ITM 415281N	PR2377	ITM 471192
PR2036	ITM 412119	PR2127	ITM 470898	PR2277	ITM 417349	PR2381	ITM 416292
PR2037	ITM 417484	PR2128	ITM 416404	PR2278	ITM 417349	PR2384	ITM 484054
PR2037	ITM 417484N	PR2131	ITM 415302	PR2279	ITM 415281N	PR2386	ITM 476470
PR2038	ITM 5481	PR2132	ITM 416891	PR2280	ITM 417349	PR2387	ITM 415082
PR2042	ITM 410694	PR2134	ITM 417549	PR2286	ITM 455280	PR2390	ITM 476838
PR2043	ITM 472018	PR2135	ITM 415483	PR2287	ITM 415371	PR2396	ITM 415043
PR2044	ITM 340835	PR2136	ITM 415483	PR2288	ITM 456618	PR2399	ITM 415836
PR2045	ITM 471801	PR2137	ITM 415449	PR2290	ITM 415007	PR2399	ITM 415995
PR2050	ITM 417507	PR2139	ITM 455434	PR2293	ITM 417316	PR2401	ITM 350414
PR2050	ITM 455513	PR2140	ITM 416664	PR2293	ITM 455004	PR2401	ITM 472311
PR2052	ITM 410496	PR2143	ITM 416664	PR2294	ITM 415960	PR2402	ITM 1037
PR2053	ITM 410496	PR2145	ITM 240731	PR2296	ITM 415009	PR2404	ITM 417171
PR2054	ITM 410496	PR2147	ITM 8421S	PR2296	ITM 415960	PR2407	ITM 417490
PR2055	ITM 471529	PR2148	ITM 240414	PR2302	ITM 471570	PR2409	ITM 417491
PR2058	ITM 410102	PR2150	ITM 473237	PR2310	ITM 415254	PR2410	ITM 472164
PR2059	ITM 470380	PR2156	ITM 451182	PR2312	ITM 473203	PR2411	ITM 5976S
PR2060	ITM 1167	PR2157	ITM 473214	PR2317	ITM 455655	PR2414	ITM 416624
PR2061	ITM 1167	PR2161	ITM 416024	PR2320	ITM 415001	PR2415	ITM 412920

INTERCHANGE SECTION

COMPETITIVE INTERCHANGES



Mfr No.	Mfr. National	Mfr No.	Mfr. National	Mfr No.	Mfr. National	Mfr No.	Mfr. National
PR2416	ITM 416624	PR2530	ITM 416339	PR2636	ITM 417499	PR2731	ITM 472041
PR2419	ITM 417356	PR2531	ITM 470077	PR2637	ITM 417499	PR2731	ITM 473454
PR2423	ITM 416624	PR2531	ITM 474281	PR2643	ITM 6835S	PR2732	ITM 416153
PR2425	ITM 416624	PR2536	ITM 473213	PR2644	ITM 472492	PR2740	ITM 416135
PR2427	ITM 456744N	PR2540	ITM 450400	PR2647	ITM 417357	PR2741	ITM 416345
PR2431	ITM 415138	PR2541	ITM 473238	PR2648	ITM 471224	PR2742	ITM 415045
PR2436	ITM 471413	PR2542	ITM 471267	PR2649	ITM 415142	PR2743	ITM 471766
PR2438	ITM 351487	PR2543	ITM 455032	PR2650	ITM 455194	PR2744	ITM 471442
PR2442	ITM 415088	PR2545	ITM 455820	PR2653	ITM 471231	PR2745	ITM 415047
PR2443	ITM 415088	PR2547	ITM 417494	PR2654	ITM 471413	PR2746	ITM 417525
PR2444	ITM 415088	PR2548	ITM 415001	PR2656	ITM 471267	PR2747	ITM 417533
PR2445	ITM 455356	PR2549	ITM 417205	PR2657	ITM 416556	PR2749	ITM 415284
PR2447	ITM 415088	PR2558	ITM 455008	PR2657	ITM 472157	PR2751	ITM 415138
PR2447	ITM 455088	PR2560	ITM 415021	PR2664	ITM 470380	PR2759	ITM 417538
PR2449	ITM 415088	PR2562	ITM 415035	PR2667	ITM 6985	PR2760	ITM 415711
PR2449	ITM 455088	PR2562	ITM 415953	PR2668	ITM 471984	PR2761	ITM 471649
PR2450	ITM 415088	PR2563	ITM 415027	PR2670	ITM 473227	PR2764	ITM 471643
PR2452	ITM 5865	PR2564	ITM 415035	PR2673	ITM 473464	PR2767	ITM 470334
PR2456	ITM 455310	PR2570	ITM 416339	PR2675	ITM 415958	PR2772	ITM 455203
PR2457	ITM 416229	PR2572	ITM 416339	PR2677	ITM 474278	PR2773	ITM 416137
PR2461	ITM 415072	PR2574	ITM 417344	PR2678	ITM 415425	PR2774	ITM 416137
PR2462	ITM 417191	PR2575	ITM 415284	PR2680	ITM 415035	PR2775	ITM 472164
PR2463	ITM 415437	PR2577	ITM 416339	PR2680	ITM 415953	PR2777	ITM 416137
PR2463	ITM 455173	PR2577	ITM 455031	PR2682	ITM 481443	PR2778	ITM 471224
PR2467	ITM 417542	PR2578	ITM 475004H	PR2688	ITM 471138	PR2779	ITM 416321
PR2468	ITM 55419	PR2579	ITM 416339	PR2689	ITM 417514	PR2780	ITM 416149
PR2469	ITM 415991	PR2580	ITM 415187	PR2690	ITM 415036	PR2781	ITM 473475
PR2469	ITM 415991N	PR2581	ITM 415035	PR2691	ITM 417247	PR2782	ITM 416149
PR2471	ITM 471271	PR2581	ITM 415953	PR2692	ITM 415036	PR2784	ITM 417356
PR2477	ITM 415983N	PR2582	ITM 416345	PR2694	ITM 455037	PR2785	ITM 473236
PR2479	ITM 415303	PR2585	ITM 417495	PR2696	ITM 471870	PR2786	ITM 416149
PR2481	ITM 416404	PR2586	ITM 415035	PR2696	ITM 471883	PR2787	ITM 472258
PR2482	ITM 416154	PR2586	ITM 415953	PR2697	ITM 471766	PR2788	ITM 470954
PR2483	ITM 415088	PR2587	ITM 471795	PR2698	ITM 417513	PR2791	ITM 416154
PR2484	ITM 473228	PR2588	ITM 455035N	PR2699	ITM 416891	PR2792	ITM 416154
PR2485	ITM 417354	PR2589	ITM 471649	PR2700	ITM 417554	PR2793	ITM 416154
PR2486	ITM 7840S	PR2590	ITM 470682	PR2701	ITM 473464	PR2797	ITM 416154
PR2487	ITM 417354	PR2593	ITM 415035	PR2702	ITM 455197N	PR2798	ITM 417534
PR2488	ITM 415483	PR2593	ITM 415953	PR2703	ITM 473010	PR2800	ITM 471766
PR2489	ITM 455434	PR2595	ITM 415035	PR2704	ITM 416380	PR2801	ITM 416158
PR2490	ITM 3395	PR2595	ITM 415953	PR2705	ITM 470088	PR2802	ITM 472319
PR2491	ITM 471785	PR2597	ITM 417344	PR2706	ITM 455079	PR2803	ITM 6815
PR2493	ITM 417493	PR2606	ITM 417495	PR2707	ITM 416380	PR2804	ITM 416158
PR2494	ITM 415711	PR2607	ITM 417316	PR2708	ITM 415196	PR2806	ITM 350936
PR2496	ITM 455858	PR2609	ITM 470380	PR2709	ITM 471649	PR2807	ITM 451857
PR2500	ITM 416047	PR2609	ITM 472189A	PR2710	ITM 473214	PR2808	ITM 470351
PR2500	ITM 416332	PR2612	ITM 416706	PR2711	ITM 415991	PR2809	ITM 470380
PR2502	ITM 472951	PR2613	ITM 470898	PR2711	ITM 415991N	PR2809	ITM 472189A
PR2502	ITM 474252	PR2618	ITM 480210	PR2712	ITM 415991	PR2810	ITM 473231
PR2507	ITM 417211	PR2622	ITM 416888	PR2712	ITM 415991N	PR2811	ITM 240698
PR2510	ITM 5965	PR2623	ITM 470625	PR2713	ITM 473214	PR2813	ITM 410987
PR2512	ITM 471689	PR2624	ITM 416327	PR2715	ITM 416888	PR2814	ITM 451078
PR2513	ITM 473237	PR2625	ITM 470898	PR2717	ITM 417344	PR2815	ITM 200642
PR2516	ITM 456305	PR2626	ITM 416327	PR2719	ITM 415437	PR2816	ITM 410737
PR2518	ITM 415379	PR2628	ITM 455471	PR2721	ITM 473231	PR2816	ITM 470737
PR2521	ITM 415937	PR2631	ITM 417484	PR2724	ITM 416149	PR2820	ITM 416167
PR2522	ITM 417501	PR2631	ITM 417484N	PR2726	ITM 415836	PR2821	ITM 416167
PR2524	ITM 415379	PR2632	ITM 415559	PR2726	ITM 415995	PR2821	ITM 455091
PR2526	ITM 471442	PR2633	ITM 471689	PR2728	ITM 472492	PR2823	ITM 474253
PR2527	ITM 450482	PR2634	ITM 415559	PR2730	ITM 471689	PR2824	ITM 417539

INTERCHANGE SECTION

COMPETITIVE INTERCHANGES

Mfr No.	Mfr. National	Mfr No.	Mfr. National	Mfr No.	Mfr. National	Mfr No.	Mfr. National
PR2825	ITM 471231	PR2920	ITM 472015	PR3007	ITM 473225	PR3134	ITM 416364
PR2826	ITM 412920	PR2921	ITM 471264	PR3008	ITM 417499	PR3136	ITM 416364
PR2827	ITM 415725	PR2923	ITM 411394	PR3009	ITM 473226	PR3137	ITM 416364
PR2828	ITM 415449	PR2924	ITM 415379	PR3011	ITM 40154S	PR3138	ITM 470625
PR2829	ITM 473240	PR2925	ITM 210945	PR3014	ITM 473010	PR3140	ITM 472179
PR2830	ITM 471231	PR2926	ITM 415379	PR3018	ITM 415683	PR3142	ITM 472572
PR2831	ITM 471567	PR2927	ITM 412473	PR3020	ITM 456305	PR3143	ITM 417298
PR2833	ITM 416267	PR2927	ITM 415894	PR3021	ITM 415683	PR3145	ITM 417596
PR2836	ITM 416130	PR2928	ITM 415991	PR3023	ITM 416476	PR3151	ITM 471760
PR2837	ITM 417353	PR2928	ITM 415991N	PR3024	ITM 416476	PR3154	ITM 43076S
PR2842	ITM 417522	PR2929	ITM 472179	PR3025	ITM 417365	PR3155	ITM 410694
PR2843	ITM 416070	PR2930	ITM 417547	PR3026	ITM 410102	PR3156	ITM 473241
PR2844	ITM 417252	PR2932	ITM 412920	PR3028	ITM 417365	PR3157	ITM 412725
PR2845	ITM 471272	PR2934	ITM 417354	PR3031	ITM 455330	PR3162	ITM 416008
PR2848	ITM 416557	PR2935	ITM 415645	PR3032	ITM 472299	PR3165	ITM 416239
PR2853	ITM 450412	PR2935	ITM 455104	PR3035	ITM 471801	PR3166	ITM 416239
PR2854	ITM 415351	PR2937	ITM 417350	PR3036	ITM 470548	PR3167	ITM 473016
PR2856	ITM 415066	PR2938	ITM 470712	PR3036	ITM 470625	PR3168	ITM 472492
PR2857	ITM 415066	PR2940	ITM 417254	PR3043	ITM 473231	PR3173	ITM 415867
PR2861	ITM 417269	PR2942	ITM 415938	PR3044	ITM 340724	PR3174	ITM 415867
PR2863	ITM 417273	PR2943	ITM 416271	PR3048	ITM 473228	PR3176	ITM 416077
PR2864	ITM 416865	PR2944	ITM 417546	PR3049	ITM 471195	PR3178	ITM 416102
PR2864	ITM 455070	PR2945	ITM 417495	PR3049	ITM 481195	PR3179	ITM 415116
PR2865	ITM 416865	PR2946	ITM 415938	PR3050	ITM 473455	PR3181	ITM 410987
PR2866	ITM 416865	PR2947	ITM 415938	PR3052	ITM 471195	PR3182	ITM 471419
PR2867	ITM 417258	PR2948	ITM 417360	PR3052	ITM 481195	PR3182	ITM 473367
PR2868	ITM 417258	PR2950	ITM 417555	PR3056	ITM 417191	PR3185	ITM 473214
PR2870	ITM 417262	PR2951	ITM 417555	PR3058	ITM 472041	PR3186	ITM 471646
PR2871	ITM 224015	PR2956	ITM 480630	PR3058	ITM 473454	PR3189	ITM 351267
PR2872	ITM 417262	PR2956	ITM 480991	PR3060	ITM 473205	PR3189	ITM 471267
PR2874	ITM 455008	PR2960	ITM 417542	PR3062	ITM 471692	PR3193	ITM 472213
PR2876	ITM 473232	PR2961	ITM 417542	PR3066	ITM 472258	PR3194	ITM 473231
PR2877	ITM 476842	PR2963	ITM 471787	PR3067	ITM 410102	PR3195	ITM 350414
PR2879	ITM 412473	PR2964	ITM 481568	PR3068	ITM 472924	PR3195	ITM 472311
PR2879	ITM 415894	PR2965	ITM 417549	PR3070	ITM 471316	PR3196	ITM 453065
PR2887	ITM 471255	PR2966	ITM 416664	PR3076	ITM 472572	PR3201	ITM 472070
PR2889	ITM 417546	PR2969	ITM 476470	PR3077	ITM 455480	PR3202	ITM 473443
PR2890	ITM 415035	PR2970	ITM 417554	PR3080	ITM 415072	PR3202	ITM 474274
PR2890	ITM 415953	PR2972	ITM 417554	PR3082	ITM 415294	PR3204	ITM 473458
PR2891	ITM 417358	PR2973	ITM 416288	PR3083	ITM 415294	PR3207	ITM 55524
PR2892	ITM 470530	PR2974	ITM 481163	PR3085	ITM 415294	PR3208	ITM 473238
PR2893	ITM 200640	PR2975	ITM 55357	PR3089	ITM 472439	PR3209	ITM 471272
PR2895	ITM 452222	PR2976	ITM 416107	PR3091	ITM 472299	PR3210	ITM 412027
PR2896	ITM 417551	PR2977	ITM 472354	PR3099	ITM 417562	PR3213	ITM 415551
PR2899	ITM 472070	PR2977	ITM 50395S	PR3108	ITM 471737	PR3221	ITM 417598
PR2901	ITM 472924	PR2978	ITM 412040	PR3111	ITM 415058	PR3224	ITM 455406
PR2906	ITM 6200	PR2979	ITM 416107	PR3113	ITM 470380	PR3228	ITM 351466
PR2908	ITM 417541	PR2980	ITM 417549	PR3114	ITM 415854	PR3228	ITM 471466
PR2909	ITM 417541	PR2981	ITM 416107	PR3115	ITM 417563	PR3230	ITM 416664
PR2910	ITM 410708	PR2983	ITM 417362	PR3116	ITM 417563	PR3231	ITM 417600
PR2911	ITM 417344	PR2986	ITM 451147H	PR3117	ITM 451948	PR3233	ITM 473234
PR2911	ITM 455006	PR2989	ITM 417349	PR3118	ITM 1992	PR3236	ITM 415138
PR2912	ITM 418029	PR2992	ITM 417544	PR3119	ITM 417563	PR3237	ITM 470605
PR2912	ITM 455499	PR2994	ITM 471141	PR3120	ITM 455480	PR3239	ITM 417601
PR2914	ITM 473228	PR2995	ITM 472185	PR3125	ITM 472164	PR3242	ITM 343105
PR2914	ITM 51098	PR2999	ITM 416666	PR3127	ITM 416229	PR3242	ITM 7399S
PR2915	ITM 473215	PR3000	ITM 471750	PR3128	ITM 450639	PR3250	ITM 472492
PR2916	ITM 415458	PR3001	ITM 473475	PR3130	ITM 473234	PR3251	ITM 470074
PR2917	ITM 415437	PR3002	ITM 473444	PR3131	ITM 40337S	PR3251	ITM 474265
PR2919	ITM 417351	PR3004	ITM 470334	PR3133	ITM 470625	PR3252	ITM 414268

INTERCHANGE SECTION

COMPETITIVE INTERCHANGES



Mfr No.	Mfr. National	Mfr No.	Mfr. National	Mfr No.	Mfr. National	Mfr No.	Mfr. National
PR3252	ITM 450539	PR3348	ITM 471870	PR3503	ITM 471413	PR3654	ITM 471692
PR3254	ITM 415958	PR3348	ITM 471883	PR3504	ITM 471558	PR3656	ITM 471692
PR3259	ITM 473210	PR3349	ITM 471526	PR3506	ITM 415302	PR3698	ITM 472041
PR3260	ITM 471854	PR3351	ITM 472041	PR3508	ITM 472299	PR3698	ITM 473454
PR3261	ITM 417602	PR3351	ITM 473454	PR3509	ITM 473228	PR3701	ITM 471854
PR3262	ITM 417602	PR3352	ITM 471649	PR3510	ITM 471224	PR3702	ITM 415035
PR3263	ITM 471854	PR3354	ITM 471868	PR3511	ITM 471192	PR3702	ITM 415953
PR3264	ITM 350954	PR3356	ITM 471692	PR3517	ITM 471141	PR3703	ITM 471316
PR3264	ITM 470954	PR3357	ITM 473441	PR3518	ITM 413248	PR3709	ITM 416654
PR3267	ITM 415683	PR3359	ITM 330385	PR3520	ITM 471271	PR3711	ITM 416654
PR3269	ITM 412725	PR3360	ITM 240470	PR3521	ITM 415045	PR3712	ITM 415086N
PR3270	ITM 472492	PR3361	ITM 471692	PR3524	ITM 415138	PR3712	ITM 417487
PR3277	ITM 417602	PR3364	ITM 473230	PR3525	ITM 416158	PR3725	ITM 471689
PR3278	ITM 471766	PR3366	ITM 417191	PR3526	ITM 417584	PR3726	ITM 417352
PR3279	ITM 330385	PR3369	ITM 417020	PR3527	ITM 417511	PR3726	ITM 418028
PR3281	ITM 471224	PR3370	ITM 417020	PR3530	ITM 415072	PR3727	ITM 450084
PR3282	ITM 340815	PR3373	ITM 413472	PR3531	ITM 416029N	PR3730	ITM 470530
PR3283	ITM 351466	PR3378	ITM 415227	PR3532	ITM 416364	PR3731	ITM 417159
PR3283	ITM 471466	PR3379	ITM 417571	PR3533	ITM 416239	PR3732	ITM 472397
PR3284	ITM 473440	PR3381	ITM 415991	PR3540	ITM 473016	PR3734	ITM 416738
PR3285	ITM 473231	PR3381	ITM 415991N	PR3547	ITM 470954	PR3735	ITM 473450
PR3286	ITM 473215	PR3382	ITM 472572	PR3548	ITM 416041	PR3736	ITM 470530
PR3287	ITM 55301S	PR3383	ITM 471801	PR3551	ITM 416135	PR3737	ITM 410496
PR3289	ITM 471466	PR3385	ITM 470334	PR3552	ITM 416047	PR3738	ITM 473466
PR3290	ITM 471554	PR3386	ITM 471571	PR3552	ITM 416332	PR3739	ITM 473467
PR3291	ITM 471442	PR3391	ITM 415871	PR3557	ITM 471870	PR3742	ITM 416664
PR3292	ITM 471554	PR3392	ITM 471766	PR3557	ITM 471883	PR3744	ITM 350435
PR3293	ITM 471498	PR3395	ITM 415483	PR3560	ITM 350394	PR3746	ITM 417352
PR3296	ITM 470606	PR3396	ITM 415066	PR3560	ITM 473227	PR3746	ITM 418028
PR3297	ITM 472041	PR3398	ITM 471354	PR3566	ITM 473444	PR3747	ITM 472016
PR3297	ITM 473454	PR3399	ITM 471649	PR3568	ITM 471652	PR3750	ITM 473447
PR3298	ITM 415991	PR3402	ITM 471281	PR3570	ITM 471801	PR3756	ITM 472029
PR3298	ITM 415991N	PR3412	ITM 417606	PR3571	ITM 416158	PR3757	ITM 410752
PR3300	ITM 416657	PR3416	ITM 417608	PR3582	ITM 416394	PR3761	ITM 472636
PR3306	ITM 471255	PR3419	ITM 473238	PR3586	ITM 417605	PR3763	ITM 450067
PR3307	ITM 473425	PR3420	ITM 473423	PR3588	ITM 416257	PR3763	ITM 473228
PR3308	ITM 455476	PR3421	ITM 417606	PR3592	ITM 340400	PR3766	ITM 413470
PR3309	ITM 470351	PR3435	ITM 471763	PR3599	ITM 473427	PR3767	ITM 410102
PR3310	ITM 470950	PR3444	ITM 472492	PR3602	ITM 417606	PR3768	ITM 471554
PR3310	ITM 6241S	PR3446	ITM 224040	PR3609	ITM 6863S	PR3769	ITM 471689
PR3312	ITM 417352	PR3452	ITM 470565	PR3610	ITM 471264	PR3773	ITM 473236
PR3312	ITM 418028	PR3453	ITM 472397	PR3611	ITM 471264	PR3775	ITM 417343
PR3313	ITM 413247	PR3454	ITM 472164	PR3612	ITM 472029	PR3776	ITM 451845
PR3314	ITM 417022	PR3456	ITM 470590	PR3614	ITM 417608	PR3782	ITM 416664
PR3316	ITM 43089S	PR3458	ITM 471192	PR3618	ITM 473234	PR3787	ITM 416664
PR3318	ITM 353120	PR3460	ITM 473214	PR3622	ITM 470774	PR3789	ITM 412861
PR3319	ITM 455462	PR3461	ITM 473214	PR3623	ITM 471271	PR3790	ITM 412861
PR3320	ITM 473233	PR3464	ITM 470354	PR3624	ITM 417262	PR3793	ITM 416865
PR3323	ITM 471787	PR3470	ITM 1012N	PR3628	ITM 473226	PR3795	ITM 323138
PR3324	ITM 481834	PR3476	ITM 473228	PR3630	ITM 474255	PR3796	ITM 455151
PR3326	ITM 413472	PR3477	ITM 471795	PR3631	ITM 417316	PR3804	ITM 471652
PR3329	ITM 2260	PR3479	ITM 471766	PR3631	ITM 455004	PR3806	ITM 416956
PR3330	ITM 1167	PR3481	ITM 472299	PR3632	ITM 417608	PR3811	ITM 472299
PR3331	ITM 224252	PR3484	ITM 1208	PR3634	ITM 416271	PR3812	ITM 415960
PR3338	ITM 481481	PR3485	ITM 226020	PR3640	ITM 471646	PR3814	ITM 472475
PR3340	ITM 415090	PR3487	ITM 224045	PR3643	ITM 352560	PR3815	ITM 473466
PR3344	ITM 55078S	PR3488	ITM 470351	PR3643	ITM 472560N	PR3819	ITM 417269
PR3345	ITM 472572	PR3490	ITM 450593	PR3644	ITM 474255	PR3828	ITM 455858
PR3346	ITM 240698	PR3495	ITM 472164	PR3648	ITM 471649	PR3829	ITM 416156
PR3347	ITM 417073	PR3498	ITM 471224	PR3649	ITM 1012N	PR3832	ITM 473203

INTERCHANGE SECTION

COMPETITIVE INTERCHANGES

Mfr No.	Mfr. National	Mfr No.	Mfr. National	Mfr No.	Mfr. National	Mfr No.	Mfr. National
PR3835	ITM 471737	PR4116	ITM 5M293	PR4643	ITM 472157	PR4782	ITM 472324
PR3837	ITM 472572	PR4506	ITM 473241	PR4650	ITM 43080S	PR4784	ITM 223840
PR3839	ITM 471651	PR4507	ITM 472164	PR4654	ITM 410825	PR4785	ITM 1177
PR3841	ITM 340797	PR4508	ITM 415088	PR4655	ITM 455966	PR4788	ITM 1176
PR3843	ITM 456744N	PR4509	ITM 416364	PR4660	ITM 330663	PR4789	ITM 1180
PR3858	ITM 471195	PR4510	ITM 471571	PR4660	ITM 472354	PR4790	ITM 473227
PR3858	ITM 481195	PR4511	ITM 473215	PR4662	ITM 473235	PR4792	ITM 1176
PR3859	ITM 415991	PR4514	ITM 343186	PR4666	ITM 1180	PR4795	ITM 414045
PR3859	ITM 415991N	PR4515	ITM 416921	PR4667	ITM 471737	PR4801	ITM 1953
PR3866	ITM 330663	PR4517	ITM 473211	PR4668	ITM 471571	PR4802	ITM 223542
PR3866	ITM 472354	PR4519	ITM 473445	PR4672	ITM 455566	PR4808	ITM 473467
PR3867	ITM 471692	PR4521	ITM 471267	PR4673	ITM 413248	PR4809	ITM 481443
PR3868	ITM 473229	PR4524	ITM 455584	PR4675	ITM 417134	PR4810	ITM 473242
PR3879	ITM 417356	PR4528	ITM 476470	PR4676	ITM 472747	PR4813	ITM 473237
PR3888	ITM 416556	PR4530	ITM 224820	PR4677	ITM 474278	PR4814	ITM 472492
PR3888	ITM 472157	PR4543	ITM 415867	PR4677	ITM 480356	PR4817	ITM 5976S
PR3890	ITM 473016	PR4544	ITM 1174	PR4678	ITM 416154	PR4818	ITM 471267
PR3891	ITM 471735	PR4548	ITM 470354	PR4679	ITM 473214	PR4819	ITM 474253
PR3893	ITM 416557	PR4549	ITM 415958	PR4685	ITM 471316	PR4820	ITM 470328
PR3895	ITM 7600S	PR4550	ITM 417172	PR4686	ITM 470088	PR4820	ITM 481213
PR3898	ITM 417530	PR4551	ITM 472572	PR4692	ITM 472070	PR4822	ITM 471224
PR3902	ITM 416891	PR4552	ITM 40555	PR4695	ITM 472070	PR4825	ITM 352354
PR3904	ITM 450984	PR4552	ITM 40555S	PR4696	ITM 471785	PR4825	ITM 472354
PR3908	ITM 471224	PR4553	ITM 473467	PR4698	ITM 327303	PR4826	ITM 473463
PR3909	ITM 471705	PR4557	ITM 473466	PR4700	ITM 471472	PR4829	ITM 415871
PR3911	ITM 470898	PR4560	ITM 472016	PR4704	ITM 417597	PR4831	ITM 417262
PR3912	ITM 471224	PR4561	ITM 471271	PR4708	ITM 472658	PR4833	ITM 417556
PR3916	ITM 455396	PR4565	ITM 474276	PR4708	ITM 473197	PR4834	ITM 415867
PR3919	ITM 471750	PR4566	ITM 481181	PR4710	ITM 450446	PR4837	ITM 415458
PR3920	ITM 415697	PR4566	ITM 481181N	PR4711	ITM 416271	PR4838	ITM 415458
PR3923	ITM 343186	PR4569	ITM 471649	PR4712	ITM 455251H	PR4839	ITM 470898
PR3924	ITM 473224	PR4572	ITM 472475	PR4715	ITM 417247	PR4846	ITM 45187S
PR3926	ITM 472082	PR4573	ITM 417262	PR4718	ITM 471762	PR4847	ITM 415836
PR3927	ITM 417492	PR4577	ITM 321460	PR4719	ITM 312518	PR4847	ITM 415995
PR3928	ITM 416135	PR4593	ITM 416107	PR4720	ITM 450177	PR4848	ITM 473473
PR3929	ITM 450307	PR4595	ITM 471854	PR4722	ITM 471466	PR4849	ITM 412119
PR3933	ITM 224820	PR4597	ITM 472179	PR4723	ITM 6663S	PR4854	ITM 345146
PR3935	ITM 417509	PR4599	ITM 350435	PR4724	ITM 471224	PR4855	ITM 55030
PR3944	ITM 471801	PR4604	ITM 351466	PR4725	ITM 450311	PR4857	ITM 481073
PR3950	ITM 415150	PR4604	ITM 471466	PR4726	ITM 415449	PR4858	ITM 417191
PR3951	ITM 471267	PR4605	ITM 417601	PR4731	ITM 417171	PR4862	ITM 471570
PR3962	ITM 471231	PR4606	ITM 240733	PR4735	ITM 417254	PR4864	ITM 416404
PR3964	ITM 415483	PR4607	ITM 471689	PR4736	ITM 415379	PR4866	ITM 416706
PR3970	ITM 450326	PR4609	ITM 471652	PR4737	ITM 415449	PR4866	ITM 455272
PR3971	ITM 472258	PR4610	ITM 471760	PR4740	ITM 471684	PR4868	ITM 472144
PR3975	ITM 227040	PR4613	ITM 473448	PR4740	ITM 471698	PR4869	ITM 471646
PR3982	ITM 450604	PR4614	ITM 41026S	PR4742	ITM 471870	PR4870	ITM 473475
PR3985	ITM 473423	PR4617	ITM 416624	PR4742	ITM 471883	PR4871	ITM 417181
PR3988	ITM 471532	PR4618	ITM 415836	PR4747	ITM 1979	PR4873	ITM 411245
PR3990	ITM 471870	PR4618	ITM 415995	PR4749	ITM 471835	PR4874	ITM 1174
PR3990	ITM 471883	PR4619	ITM 415379	PR4750	ITM 473317	PR4880	ITM 472826
PR3992	ITM 415984	PR4620	ITM 415938	PR4757	ITM 203013	PR4882	ITM 471529
PR3993	ITM 415725	PR4621	ITM 415027	PR4758	ITM 472636	PR4883	ITM 471765
PR3998	ITM 473227	PR4634	ITM 416956	PR4759	ITM 411348	PR4884	ITM 416011
PR3999	ITM 415036	PR4636	ITM 415483	PR4761	ITM 471554	PR4884	ITM 417621
PR4040	ITM 5M89	PR4638	ITM 417344	PR4768	ITM 473258	PR4885	ITM 472164
PR4048	ITM 5MR71	PR4639	ITM 470605	PR4770	ITM 1012N	PR4888	ITM 471689
PR4109	ITM 5M289	PR4640	ITM 476470	PR4773	ITM 415389	PR4889	ITM 6703S
PR4112	ITM 5MR1008	PR4641	ITM 417211	PR4774	ITM 416127	PR4890	ITM 352541
PR4113	ITM 5MR1009	PR4643	ITM 416556	PR4780	ITM 223240	PR4891	ITM 416158

INTERCHANGE SECTION

COMPETITIVE INTERCHANGES



Mfr No.	Mfr. National	Mfr No.	Mfr. National	Mfr No.	Mfr. National	Mfr No.	Mfr. National
PR4892	ITM 415836	PR4983	ITM 415447	PR5062	ITM 472258	PR5136	ITM 472924
PR4892	ITM 415995	PR4985	ITM 413247	PR5063	ITM 470774	PR5137	ITM 472397
PR4893	ITM 352541	PR4986	ITM 415001	PR5064	ITM 471192	PR5138	ITM 473242
PR4895	ITM 471424	PR4988	ITM 472572	PR5065	ITM 473214	PR5139	ITM 412027
PR4896	ITM 473212	PR4989	ITM 473215	PR5066	ITM 473215	PR5140	ITM 410102
PR4898	ITM 417134	PR4991	ITM 417349	PR5067	ITM 471835	PR5144	ITM 55524
PR4900	ITM 473426	PR4994	ITM 416239	PR5068	ITM 472843	PR5145	ITM 451948
PR4901	ITM 350414	PR4997	ITM 416865	PR5071	ITM 3395	PR5146	ITM 472012
PR4901	ITM 472311	PR5000	ITM 471526	PR5072	ITM 473224	PR5147	ITM 473204
PR4902	ITM 415449	PR5001	ITM 471472	PR5073	ITM 473016	PR5148	ITM 470898
PR4907	ITM 416556	PR5002	ITM 471549	PR5074	ITM 473225	PR5149	ITM 471646
PR4907	ITM 472157	PR5003	ITM 471535	PR5075	ITM 473226	PR5150	ITM 410308
PR4910	ITM 415991	PR5004	ITM 471551	PR5076	ITM 473227	PR5150	ITM 473468
PR4910	ITM 415991N	PR5005	ITM 471264	PR5077	ITM 470625	PR5151	ITM 472016
PR4912	ITM 450593	PR5006	ITM 471255	PR5078	ITM 470380	PR5152	ITM 473243
PR4913	ITM 473205	PR5007	ITM 471564	PR5079	ITM 473228	PR5153	ITM 413470
PR4915	ITM 415563	PR5008	ITM 471553	PR5081	ITM 473440	PR5154	ITM 416267
PR4915	ITM 417433	PR5009	ITM 471554	PR5083	ITM 471958	PR5155	ITM 473244
PR4919	ITM 343099	PR5010	ITM 471567	PR5085	ITM 472213	PR5156	ITM 472018
PR4920	ITM 473231	PR5011	ITM 471643	PR5086	ITM 472299	PR5157	ITM 473245
PR4923	ITM 470950	PR5012	ITM 471689	PR5088	ITM 470682	PR5158	ITM 413472
PR4923	ITM 6241S	PR5013	ITM 470390	PR5089	ITM 473441	PR5159	ITM 416268
PR4925	ITM 417601	PR5014	ITM 471570	PR5090	ITM 473442	PR5161	ITM 471272
PR4926	ITM 473438	PR5016	ITM 471646	PR5092	ITM 473230	PR5162	ITM 473473
PR4928	ITM 416239	PR5017	ITM 470590	PR5093	ITM 473231	PR5163	ITM 471138
PR4930	ITM 415219	PR5018	ITM 471730	PR5094	ITM 473010	PR5164	ITM 472636
PR4932	ITM 455308	PR5020	ITM 472951	PR5095	ITM 473232	PR5165	ITM 412920
PR4933	ITM 471419	PR5020	ITM 474252	PR5096	ITM 473443	PR5166	ITM 411376
PR4933	ITM 473367	PR5021	ITM 471649	PR5096	ITM 474274	PR5167	ITM 415234
PR4934	ITM 416282	PR5022	ITM 471689	PR5097	ITM 473444	PR5168	ITM 415259
PR4935	ITM 473232	PR5023	ITM 471733	PR5101	ITM 473233	PR5169	ITM 55337
PR4936	ITM 417269	PR5024	ITM 471760	PR5102	ITM 473234	PR5170	ITM 472150
PR4937	ITM 415023	PR5025	ITM 453165	PR5103	ITM 473235	PR5172	ITM 411394
PR4939	ITM 416380	PR5025	ITM 471619	PR5104	ITM 473236	PR5173	ITM 450133
PR4942	ITM 473232	PR5030	ITM 471705	PR5105	ITM 473446	PR5174	ITM 416444
PR4943	ITM 471554	PR5031	ITM 471735	PR5106	ITM 471981	PR5176	ITM 470565
PR4945	ITM 471255	PR5032	ITM 471762	PR5107	ITM 473237	PR5177	ITM 413246
PR4946	ITM 472810	PR5034	ITM 470712	PR5108	ITM 472164	PR5177	ITM 413246N
PR4948	ITM 472705	PR5035	ITM 471763	PR5109	ITM 472185	PR5178	ITM 413247
PR4954	ITM 224015	PR5036	ITM 471785	PR5110	ITM 472179	PR5179	ITM 416271
PR4955	ITM 481163	PR5037	ITM 481792	PR5111	ITM 471141	PR5180	ITM 410825
PR4956	ITM 417205	PR5038	ITM 450604	PR5112	ITM 471984	PR5181	ITM 416071
PR4959	ITM 417486	PR5040	ITM 473427	PR5118	ITM 472070	PR5182	ITM 412040
PR4963	ITM 473212	PR5041	ITM 472475	PR5119	ITM 473449	PR5183	ITM 413478
PR4964	ITM 473426	PR5042	ITM 471765	PR5120	ITM 473450	PR5184	ITM 411245
PR4965	ITM 473227	PR5043	ITM 471354	PR5122	ITM 472041	PR5186	ITM 472029
PR4966	ITM 472475	PR5044	ITM 473205	PR5122	ITM 473454	PR5187	ITM 471271
PR4967	ITM 471868	PR5047	ITM 471737	PR5123	ITM 472439	PR5188	ITM 470605
PR4968	ITM 410737	PR5048	ITM 471766	PR5124	ITM 472572	PR5189	ITM 415449
PR4968	ITM 470737	PR5049	ITM 471787	PR5125	ITM 473238	PR5190	ITM 416273
PR4969	ITM 6324S	PR5050	ITM 471795	PR5126	ITM 473239	PR5191	ITM 455079
PR4970	ITM 470954	PR5051	ITM 471801	PR5127	ITM 473240	PR5192	ITM 415082
PR4971	ITM 340483	PR5052	ITM 471808	PR5128	ITM 472319	PR5193	ITM 455655
PR4973	ITM 470680	PR5053	ITM 471833	PR5129	ITM 473241	PR5194	ITM 355732
PR4973	ITM 471570	PR5055	ITM 473210	PR5130	ITM 472144	PR5196	ITM 415302
PR4974	ITM 340120	PR5056	ITM 472826	PR5131	ITM 472394	PR5197	ITM 415988
PR4975	ITM 415437	PR5057	ITM 473211	PR5133	ITM 471424	PR5198	ITM 417481
PR4979	ITM 455121	PR5058	ITM 473212	PR5134	ITM 471870	PR5200	ITM 410708
PR4980	ITM 351466	PR5059	ITM 473213	PR5134	ITM 471883	PR5201	ITM 415483
PR4980	ITM 471466	PR5060	ITM 481834	PR5135	ITM 472492	PR5202	ITM 415458

INTERCHANGE SECTION

COMPETITIVE INTERCHANGES

Mfr No.	Mfr. National	Mfr No.	Mfr. National	Mfr No.	Mfr. National	Mfr No.	Mfr. National
PR5203	ITM 417343	PR5265	ITM 416339	PR5510	ITM 473425	PR5575	ITM 416332
PR5204	ITM 415007	PR5266	ITM 415150	PR5511	ITM 471801	PR5576	ITM 415263
PR5205	ITM 417082	PR5268	ITM 417210	PR5512	ITM 480844	PR5577	ITM 417555
PR5207	ITM 455151	PR5269	ITM 416345	PR5513	ITM 473010	PR5578	ITM 415036
PR5208	ITM 455008	PR5270	ITM 415697	PR5514	ITM 472164	PR5579	ITM 456641
PR5210	ITM 416664	PR5271	ITM 417366	PR5515	ITM 470334	PR5580	ITM 415284
PR5211	ITM 415984	PR5272	ITM 415958	PR5516	ITM 472492	PR5581	ITM 417541
PR5212	ITM 417316	PR5274	ITM 415034	PR5518	ITM 473464	PR5582	ITM 417353
PR5213	ITM 415960	PR5277	ITM 415035	PR5519	ITM 415001	PR5586	ITM 417355
PR5214	ITM 416706	PR5277	ITM 415953	PR5520	ITM 416149	PR5587	ITM 416327
PR5215	ITM 476281	PR5278	ITM 417356	PR5521	ITM 471570	PR5588	ITM 471820
PR5216	ITM 416282	PR5279	ITM 417357	PR5522	ITM 470088	PR5589	ITM 472636
PR5218	ITM 417485	PR5280	ITM 416130	PR5523	ITM 323119	PR5593	ITM 416664
PR5219	ITM 415303	PR5281	ITM 415041	PR5524	ITM 455249	PR5595	ITM 470954
PR5220	ITM 417344	PR5282	ITM 455134	PR5525	ITM 471141	PR5596	ITM 476838
PR5221	ITM 417488	PR5283	ITM 417511	PR5526	ITM 450593	PR5597	ITM 417507
PR5222	ITM 416921	PR5284	ITM 415142	PR5527	ITM 417223	PR5598	ITM 471195
PR5224	ITM 455144	PR5285	ITM 415043	PR5529	ITM 470062	PR5598	ITM 481195
PR5225	ITM 416956	PR5287	ITM 415295	PR5529	ITM 474264	PR5599	ITM 417196
PR5226	ITM 417159	PR5289	ITM 416556	PR5530	ITM 450776	PR5600	ITM 416156
PR5227	ITM 416654	PR5289	ITM 472157	PR5531	ITM 470328	PR5602	ITM 417542
PR5228	ITM 417349	PR5290	ITM 415196	PR5531	ITM 481213	PR5603	ITM 417549
PR5229	ITM 417350	PR5291	ITM 416891	PR5533	ITM 471862	PR5604	ITM 417278
PR5230	ITM 415836	PR5292	ITM 415045	PR5534	ITM 473458	PR5610	ITM 331228H
PR5230	ITM 415995	PR5293	ITM 416137	PR5537	ITM 471869	PR5611	ITM 471651
PR5231	ITM 415086N	PR5294	ITM 415058	PR5537	ITM 473459	PR5615	ITM 473258
PR5231	ITM 417487	PR5295	ITM 416556	PR5538	ITM 484058	PR5620	ITM 410737
PR5232	ITM 415088	PR5295	ITM 472157	PR5539	ITM 331107N	PR5620	ITM 470737
PR5234	ITM 455019	PR5296	ITM 415425	PR5540	ITM 417513	PR5623	ITM 9845
PR5235	ITM 416404	PR5297	ITM 416380	PR5541	ITM 471795	PR5624	ITM 473423
PR5236	ITM 416288	PR5298	ITM 415047	PR5542	ITM 470950	PR5625	ITM 416921
PR5237	ITM 417172	PR5299	ITM 416149	PR5542	ITM 6241S	PR5627	ITM 410308
PR5238	ITM 416024	PR5300	ITM 415060	PR5543	ITM 471419	PR5627	ITM 473468
PR5239	ITM 456105	PR5301	ITM 327303	PR5543	ITM 473367	PR5628	ITM 471270
PR5240	ITM 455336	PR5302	ITM 417530	PR5544	ITM 410524	PR5629	ITM 9569S
PR5241	ITM 415563	PR5303	ITM 416888	PR5545	ITM 411253	PR5631	ITM 415991
PR5241	ITM 417433	PR5304	ITM 416892	PR5550	ITM 470954	PR5631	ITM 415991N
PR5242	ITM 476470	PR5305	ITM 416154	PR5551	ITM 471466	PR5632	ITM 455200N
PR5243	ITM 417352	PR5306	ITM 415351	PR5552	ITM 481834	PR5633	ITM 416273
PR5243	ITM 418028	PR5307	ITM 415371	PR5553	ITM 415001	PR5634	ITM 416297
PR5244	ITM 456305	PR5308	ITM 416158	PR5555	ITM 472354	PR5636	ITM 417606
PR5245	ITM 415023	PR5309	ITM 415138	PR5555	ITM 50395S	PR5638	ITM 415836
PR5246	ITM 415085	PR5310	ITM 417247	PR5557	ITM 415138	PR5638	ITM 415995
PR5247	ITM 455024	PR5311	ITM 415066	PR5558	ITM 413248	PR5642	ITM 471570
PR5248	ITM 416294	PR5312	ITM 416167	PR5559	ITM 416135	PR5643	ITM 472258
PR5249	ITM 417191	PR5313	ITM 417269	PR5562	ITM 416271	PR5646	ITM 416364
PR5251	ITM 415025	PR5315	ITM 415725	PR5563	ITM 470605	PR5647	ITM 417316
PR5253	ITM 417492	PR5316	ITM 416865	PR5564	ITM 415449	PR5649	ITM 473517
PR5254	ITM 415991	PR5335	ITM 415551	PR5565	ITM 455005	PR5650	ITM 484054
PR5254	ITM 415991N	PR5337	ITM 416364	PR5566	ITM 455556	PR5654	ITM 415389
PR5255	ITM 415437	PR5500	ITM 472258	PR5567	ITM 417350	PR5656	ITM 417181
PR5256	ITM 415027	PR5501	ITM 417349	PR5568	ITM 417351	PR5657	ITM 412119
PR5257	ITM 417495	PR5502	ITM 471571	PR5569	ITM 417488	PR5658	ITM 35949N
PR5258	ITM 415559	PR5503	ITM 471766	PR5570	ITM 416011	PR5659	ITM 410737
PR5259	ITM 415389	PR5504	ITM 471868	PR5570	ITM 417621	PR5659	ITM 470737
PR5260	ITM 415937	PR5505	ITM 471442	PR5571	ITM 417171	PR5660	ITM 55469
PR5261	ITM 416125	PR5506	ITM 471554	PR5573	ITM 412473	PR5662	ITM 473274
PR5262	ITM 417499	PR5507	ITM 471570	PR5573	ITM 415894	PR5663	ITM 450090
PR5263	ITM 415983N	PR5508	ITM 415711	PR5574	ITM 416624	PR5665	ITM 410694
PR5264	ITM 415379	PR5509	ITM 451078	PR5575	ITM 416047	PR5669	ITM 417254

INTERCHANGE SECTION

COMPETITIVE INTERCHANGES



Mfr No.	Mfr. National	Mfr No.	Mfr. National	Mfr No.	Mfr. National	Mfr No.	Mfr. National
PR5670	ITM 417360	PR6024	ITM 470605	PR6152	ITM 5965	PR6282	ITM 415295
PR5672	ITM 416107	PR6027	ITM 417538	PR6156	ITM 471267	PR6283	ITM 415196
PR5673	ITM 350974	PR6028	ITM 417563	PR6159	ITM 417134	PR6284	ITM 416153
PR5674	ITM 417354	PR6029	ITM 471138	PR6160	ITM 6638S	PR6285	ITM 416167
PR5675	ITM 410496	PR6030	ITM 417357	PR6162	ITM 415958	PR6286	ITM 417040
PR5676	ITM 456744N	PR6032	ITM 473425	PR6170	ITM 416891	PR6287	ITM 415124
PR5677	ITM 417532	PR6035	ITM 455019	PR6171	ITM 417354	PR6288	ITM 417022
PR5679	ITM 455858	PR6036	ITM 417492	PR6172	ITM 417352	PR6289	ITM 455129
PR5680	ITM 410987	PR6040	ITM 471821	PR6172	ITM 418028	PR6291	ITM 415076
PR5681	ITM 417514	PR6042	ITM 311189	PR6173	ITM 473214	PR6292	ITM 417608
PR5682	ITM 415045	PR6043	ITM 331228H	PR6183	ITM 8835S	PR6295	ITM 473237
PR5684	ITM 415349	PR6044	ITM 473245	PR6186	ITM 413248	PR6304	ITM 471831
PR5688	ITM 417597	PR6046	ITM 473447	PR6187	ITM 40555	PR6310	ITM 470565
PR5689	ITM 471268N	PR6050	ITM 450313	PR6187	ITM 40555S	PR6311	ITM 475003N
PR5697	ITM 411330N	PR6051	ITM 456105	PR6189	ITM 42101S	PR6313	ITM 473442
PR5699	ITM 416239	PR6052	ITM 417316	PR6190	ITM 291295	PR6315	ITM 417549
PR5700	ITM 415991	PR6053	ITM 415034	PR6191	ITM 473228	PR6318	ITM 473230
PR5702	ITM 450143	PR6055	ITM 7751H	PR6192	ITM 470334	PR6320	ITM 415437
PR5707	ITM 473463	PR6058	ITM 417316	PR6194	ITM 9569S	PR6322	ITM 471651
PR5708	ITM 417509	PR6059	ITM 416738	PR6205	ITM 1994	PR6324	ITM 473228
PR5709	ITM 417198	PR6061	ITM 470682	PR6213	ITM 223542	PR6332	ITM 473231
PR5710	ITM 415645	PR6062	ITM 476842	PR6214	ITM 473823	PR6337	ITM 473228
PR5711	ITM 417362	PR6066	ITM 472572	PR6222	ITM 417349	PR6338	ITM 417498
PR5712	ITM 416666	PR6067	ITM 416130	PR6223	ITM 415013N	PR6339	ITM 472082
PR5714	ITM 416039	PR6068	ITM 471787	PR6223	ITM 415995V	PR6342	ITM 3395
PR5716	ITM 455480	PR6071	ITM 8660S	PR6224	ITM 415449	PR6344	ITM 415449
PR5717	ITM 417562	PR6072	ITM 8611N	PR6225	ITM 471272	PR6346	ITM 475009N
PR5718	ITM 415854	PR6077	ITM 8976S	PR6227	ITM 474276	PR6352	ITM 472258
PR5720	ITM 417205	PR6084	ITM 473258	PR6230	ITM 470774	PR6354	ITM 471652
PR5722	ITM 416557	PR6087	ITM 417366	PR6231	ITM 470380	PR6361	ITM 8792S
PR5723	ITM 417258	PR6089	ITM 6879H	PR6231	ITM 472189A	PR6363	ITM 472409
PR5724	ITM 417546	PR6090	ITM 415483	PR6232	ITM 9845	PR6370	ITM 7457N
PR5725	ITM 473415	PR6091	ITM 473231	PR6234	ITM 472258	PR6371	ITM 417247
PR5726	ITM 417499	PR6092	ITM 471539	PR6235	ITM 415983N	PR6373	ITM 1174
PR5727	ITM 415867	PR6093	ITM 471267	PR6238	ITM 42260S	PR6375	ITM 1183
PR5730	ITM 473239	PR6094	ITM 470088	PR6240	ITM 415036	PR6376	ITM 224045
PR5733	ITM 415294	PR6096	ITM 8935S	PR6249	ITM 1037	PR6378	ITM 1992
PR5735	ITM 416229	PR6097	ITM 412920	PR6250	ITM 493637	PR6379	ITM 8121S
PR5736	ITM 415086N	PR6098	ITM 456618	PR6252	ITM 415983N	PR6389	ITM 370001A
PR5736	ITM 417487	PR6099	ITM 6815	PR6254	ITM 417159	PR6390	ITM 450260
PR5784	ITM 473447	PR6101	ITM 41257	PR6256	ITM 350364	PR6391	ITM 471224
PR5795	ITM 471316	PR6103	ITM 312518	PR6258	ITM 350156	PR6392	ITM 480630
PR5797	ITM 472397	PR6105	ITM 484058	PR6258	ITM 473096	PR6392	ITM 480991
PR5802	ITM 470088	PR6107	ITM 416921	PR6261	ITM 471264	PR6395	ITM 471854
PR5811	ITM 416738	PR6108	ITM 417520	PR6262	ITM 471538	PR6396	ITM 471267
PR5816	ITM 415984	PR6109	ITM 473244	PR6263	ITM 470954	PR6399	ITM 6703S
PR5817	ITM 476470	PR6110	ITM 6954S	PR6264	ITM 471649	PR6401	ITM 473179
PR6000	ITM 473231	PR6112	ITM 1174	PR6265	ITM 471192	PR6409	ITM 415303
PR6001	ITM 413247	PR6119	ITM 472439	PR6266	ITM 471192	PR6414	ITM 370037A
PR6002	ITM 476023N	PR6121	ITM 413246N	PR6267	ITM 472164	PR6415	ITM 370036A
PR6007	ITM 473228	PR6121	ITM 483246N	PR6271	ITM 43290S	PR6416	ITM 5092
PR6007	ITM 51098	PR6126	ITM 350936	PR6272	ITM 416273	PR6417	ITM 417158
PR6009	ITM 472179	PR6129	ITM 416557	PR6273	ITM 415302	PR6422	ITM 416888
PR6010	ITM 473214	PR6134	ITM 415327	PR6274	ITM 415960	PR6430	ITM 1196
PR6011	ITM 323119	PR6135	ITM 352560	PR6276	ITM 415303	PR6433	ITM 476574N
PR6012	ITM 415303	PR6135	ITM 472560N	PR6277	ITM 476470	PR6438	ITM 471831
PR6014	ITM 40071S	PR6138	ITM 415263	PR6279	ITM 456744N	PR6439	ITM 417357
PR6017	ITM 471554	PR6145	ITM 224045	PR6280	ITM 417211	PR6444	ITM 350909
PR6021	ITM 415437	PR6147	ITM 471835	PR6281	ITM 415035	PR6444	ITM 471224
PR6021	ITM 455173	PR6148	ITM 472150	PR6281	ITM 415953	PR6445	ITM 417343

INTERCHANGE SECTION

COMPETITIVE INTERCHANGES

Mfr No.	Mfr. National	Mfr No.	Mfr. National	Mfr No.	Mfr. National	Mfr No.	Mfr. National
PR6449	ITM 470989	PR7016	ITM 416921	PR8449	ITM 231250	PR8719	ITM 415045
PR6455	ITM 472258	PR7037	ITM 471255	PR8542	ITM 415991	PR8720	ITM 416137
PR6462	ITM 226020	PR8062	ITM 222050	PR8542	ITM 415991N	PR8721	ITM 415058
PR6467	ITM 7044NA	PR8094	ITM 222540	PR8544	ITM 417349	PR8722	ITM 327303
PR6468	ITM 340835	PR8113	ITM 222655	PR8592	ITM 231250	PR8723	ITM 417530
PR6502	ITM 1213N	PR8117	ITM 222745	PR8657	ITM 471870	PR8724	ITM 416892
PR6505	ITM 228020	PR8126	ITM 222860	PR8657	ITM 471883	PR8725	ITM 416154
PR6510	ITM 3051N	PR8130	ITM 223014	PR8658	ITM 472492	PR8726	ITM 415351
PR6511	ITM 223240	PR8135	ITM 223035	PR8659	ITM 472924	PR8728	ITM 415725
PR6513	ITM 7013S	PR8147	ITM 223235	PR8660	ITM 472397	PR8729	ITM 416865
PR6524	ITM 482126	PR8149	ITM 223240	PR8661	ITM 473242	PR8778	ITM 226020
PR6531	ITM 2503N	PR8151	ITM 223255	PR8662	ITM 412027	PR8798	ITM 227020
PR6532	ITM 331227H	PR8167	ITM 3771	PR8663	ITM 410102	PR8799	ITM 227045
PR6533	ITM 51322	PR8168	ITM 223535	PR8665	ITM 487945	PR8806	ITM 227550
PR6534	ITM 1173	PR8170	ITM 223542	PR8667	ITM 55524	PR8810	ITM 228020
PR6536	ITM 224820	PR8171	ITM 223543	PR8669	ITM 473473	PR9003	ITM 223035
PR6539	ITM 7751H	PR8176	ITM 223580	PR8670	ITM 471138	PR9005	ITM 224020
PR6553	ITM 470361	PR8182	ITM 223605	PR8671	ITM 472636	PR9006	ITM 224025
PR6553	ITM 472193	PR8184	ITM 710197	PR8672	ITM 412920	PR9008	ITM 224040
PR6557	ITM 472258	PR8185	ITM 2003N	PR8674	ITM 415234	PR9009	ITM 224045
PR6558	ITM 471766	PR8190	ITM 710057	PR8675	ITM 415259	PR9021	ITM 224520
PR6565	ITM 476574N	PR8194	ITM 1174	PR8676	ITM 55337	PR9022	ITM 1012N
PR6569	ITM 471765	PR8196	ITM 223830	PR8677	ITM 472029	PR9023	ITM 1992
PR6571	ITM 226020	PR8198	ITM 223840	PR8678	ITM 470605	PR9026	ITM 224570
PR6573	ITM 416892	PR8201	ITM 1176	PR8679	ITM 415449	PR9032	ITM 225010
PR6575	ITM 415379	PR8208	ITM 1213N	PR8680	ITM 416273	PR9033	ITM 225020
PR6576	ITM 473444	PR8209	ITM 224020	PR8681	ITM 455079	PR9034	ITM 1960
PR6577	ITM 416071	PR8210	ITM 224025	PR8682	ITM 415082	PR9043	ITM 473227
PR6578	ITM 472397	PR8212	ITM 224040	PR8683	ITM 455655	PR9044	ITM 470625
PR6586	ITM 2443	PR8213	ITM 224045	PR8684	ITM 355732	PR9045	ITM 470380
PR6590	ITM 416153	PR8218	ITM 712011	PR8686	ITM 416664	PR9045	ITM 472189A
PR6592	ITM 252277	PR8225	ITM 494117	PR8687	ITM 415984	PR9046	ITM 473228
PR6594	ITM 417536	PR8227	ITM 1953	PR8688	ITM 417316	PR9047	ITM 451857
PR6595	ITM 1213N	PR8228	ITM 224252	PR8690	ITM 416706	PR9048	ITM 473440
PR6610	ITM 417316	PR8229	ITM 224255	PR8691	ITM 476281	PR9049	ITM 450523
PR6612	ITM 8695S	PR8232	ITM 224270	PR8692	ITM 416282	PR9050	ITM 471958
PR6614	ITM 471424	PR8238	ITM 224462	PR8694	ITM 417350	PR9052	ITM 471424
PR6615	ITM 472012	PR8242	ITM 224270	PR8695	ITM 453182	PR9053	ITM 471870
PR6620	ITM 416383	PR8243	ITM 224520	PR8697	ITM 415088	PR9053	ITM 471883
PR6623	ITM 1953	PR8245	ITM 1992	PR8699	ITM 455019	PR9054	ITM 472492
PR6625	ITM 376590A	PR8248	ITM 224570	PR8700	ITM 416404	PR9055	ITM 472924
PR6627	ITM 416394	PR8265	ITM 224820	PR8701	ITM 416288	PR9056	ITM 470530
PR6629	ITM 416102	PR8266	ITM 1973	PR8702	ITM 416024	PR9057	ITM 473242
PR6630	ITM 475009N	PR8268	ITM 1994	PR8703	ITM 415563	PR9058	ITM 412027
PR6631	ITM 35949N	PR8277	ITM 225010	PR8703	ITM 417433	PR9059	ITM 410102
PR6632	ITM 417484N	PR8278	ITM 225020	PR8704	ITM 476470	PR9061	ITM 487945
PR6632	ITM 475322N	PR8279	ITM 1960	PR8705	ITM 456305	PR9063	ITM 55524
PR6634	ITM 412119	PR8284	ITM 225082	PR8706	ITM 415023	PS105	OLIVE 470189
PR6637	ITM 417352	PR8288	ITM 4990	PR8707	ITM 415437	PS105	OLIVE 471692
PR6637	ITM 418028	PR8290	ITM 225230	PR8708	ITM 415027	PS212	MASSE 450444
PR6640	ITM 1174	PR8315	ITM 225875	PR8709	ITM 417495	PS212	MASSE 471835
PR6644	ITM 416271	PR8324	ITM 226020	PR8710	ITM 415559	PS22123	C-P 471472
PR6647	ITM 2443	PR8336	ITM 226285	PR8711	ITM 415035	PS2216	C-P 450389
PR6666	ITM 471984	PR8364	ITM 227020	PR8711	ITM 415953	PS2216	C-P 472492
PR6673	ITM 343104	PR8365	ITM 227040	PR8712	ITM 417356	PS25310	C-P 470077
PR7003	ITM 415001	PR8378	ITM 227550	PR8713	ITM 417357	PS25310	C-P 474281
PR7004	ITM 200322	PR8387	ITM 228010	PR8714	ITM 416130	PS25311	C-P 450085
PR7006	ITM 415077	PR8388	ITM 228020	PR8715	ITM 415041	PS25311	C-P 470530
PR7008	ITM 417606	PR8405	ITM 229005	PR8717	ITM 415196	PS25312	C-P 455195
PR7014	ITM 415072	PR8444	ITM 717004	PR8718	ITM 416891	PS25312	C-P 472157

INTERCHANGE SECTION

COMPETITIVE INTERCHANGES



Mfr No.	Mfr.	National	Mfr No.	Mfr.	National	Mfr No.	Mfr.	National	Mfr No.	Mfr.	National
PS25313	C-P	450316	PXS47	COC	450365	QWB695	QUINT	494122	R10H110B	BORGW	9613S
PS25313	C-P	472636	PXS47	COC	470898	QWB702	QUINT	5686	R11076	GAL	470059
PS25314	C-P	470077	PXS89	COC	240356	QWB703	QUINT	224210	R11076	GAL	470380
PS25314	C-P	474281	PY623	GRAY	450025	QWB704	QUINT	1180	R11077	GAL	470088
PS2532	C-P	415041	PY623	GRAY	471553	QWB705	QUINT	224820	R11560	GAL	416476
PS2534	C-P	450519	Q00688033	GMC	J1113	QWB710	QUINT	1984	R11560	GAL	455075
PS2534	C-P	471271	Q27958	JOHND	415988	QWB714	QUINT	225230	R115916	WILSO	417606
PS2535	C-P	415995	Q27958K	JOHND	415988	QWB721	QUINT	225220	R1251016	WILSO	415227
PS2535	C-P	455013	Q28735	JOHND	471870	QWB723	QUINT	710311	R13881	CASE	450867
PS2536	C-P	470027	Q28735	JOHND	471883	QWB724	QUINT	710311	R13881	CASE	470898
PS2536	C-P	471554	QM1333	DEVIL	470712	QWB727	QUINT	225650	R14090	GAL	417269
PS2537	C-P	471570	QR631	BUC-E	471570	QWB747	QUINT	225010	R14132	GAL	472012
PS2538	C-P	330385	QS100	DEVIL	451583	QWB748	QUINT	223550	R14133	GAL	415449
PS2539	C-P	450593	QS141	DEVIL	471526	QWB785	QUINT	224820	R14133	GAL	455147
PS462	C-P	415072	QS186	DEVIL	471442	QWB803	QUINT	710338	R14134	GAL	417356
PS4621	C-P	470027	QS187	DEVIL	471472	QWB809	QUINT	1973	R14134	GAL	455188
PS4621	C-P	471554	QWB1053	QUINT	710642	QWB810	QUINT	1973	R14189	GAL	417538
PS46211	C-P	471466	QWB1072	QUINT	710338	QWB812	QUINT	710239	R14190	GAL	415938
PS46212	C-P	480630	QWB1073	QUINT	710404	QWB814	QUINT	224015	R15028	WILSO	471570
PS46213	C-P	416865	QWB1078	QUINT	710404	QWB842	QUINT	1196	R16287	CASE	470059
PS46213	C-P	455070	QWB1155	QUINT	1962	QWB843	QUINT	473367	R16287	CASE	470380
PS46214	C-P	415072	QWB1170	QUINT	710239	QWB851	QUINT	224235	R18438	GAL	415072
PS46215	C-P	471538	QWB155C	QUINT	4175	QWB890	QUINT	1932	R18462	GAL	450183
PS4622	C-P	471570	QWB203	QUINT	224235	QWB895	QUINT	4904	R18462	GAL	472179
PS4623	C-P	450593	QWB212	QUINT	224015	QWB896	QUINT	224462	R19970	GAL	411376
PS4624	C-P	416239	QWB214	QUINT	224100	QWB904	QUINT	224820	R19970	GAL	455093
PS4625	C-P	470163	QWB239	QUINT	472213	QWB915	QUINT	1948	R19974	GAL	415379
PS4625	C-P	471766	QWB256	QUINT	1012N	QWB916	QUINT	225005	R19974	GAL	455379
PS4626	C-P	471255	QWB285	QUINT	1174	QWB928	QUINT	710125	R19987	GAL	417247
PS4628	C-P	415035	QWB337	QUINT	1955	QWB931	QUINT	710107	R2001	WILSO	471760
PS4628	C-P	455035	QWB343	QUINT	482126	QWB934	QUINT	1993	R20080	BTM	450076
PS4629	C-P	471413	QWB344	QUINT	1183	QWB940	QUINT	224210	R20080	BTM	470334
PSF24671	B-L-H	473313	QWB360	QUINT	1955	QWB958	QUINT	225230	R20798	CASE	416011
PSF24672	B-L-H	450085	QWB367	QUINT	224210	QWB961	QUINT	710108	R20798	CASE	417621
PSF24672	B-L-H	470530	QWB376	QUINT	1955	QWB963	QUINT	710168	R20869	BTM	450185
PSI50851	WABCO	240009	QWB429	QUINT	1962	QWB972	QUINT	4904	R20869	BTM	473229
PT1110B	BORGW	480889	QWB443	QUINT	1973	QWB977	QUINT	1974	R20894	BTM	471466
PT1226	BORGW	412871	QWB449	QUINT	1213N	QWB985	QUINT	1955	R20965	BTM	5778
PT1226	BORGW	450329	QWB457	QUINT	482126	QX22260	JOHND	240319	R21017	BTM	40140S
PT1227	BORGW	412119	QWB469	QUINT	4990	QX34751B	JOHND	450316	R21050	BTM	40576S
PT1227	BORGW	450101	QWB470	QUINT	710311	QX34751B	JOHND	472636	R21164	BTM	40566S
PT1342	BORGW	415142	QWB494	QUINT	1208	QX38201	JOHND	418028	R21263	BTM	350414
PT1392	BORGW	417350	QWB508	QUINT	239155	QX38201	JOHND	455137	R21263	BTM	472311
PT1392	BORGW	455479	QWB535	QUINT	710097	QX52280	JOHND	413246	R22209	GAL	415001
PT1452	BORGW	415034	QWB552	QUINT	1126	QX52280	JOHND	413246N	R22209	GAL	455001
PT1511	BORGW	415035	QWB557	QUINT	225650	QX52281	JOHND	473466	R22518	WILSO	471801
PT4108	BORGW	470120	QWB558	QUINT	710215	QX52282	JOHND	471760	R23024	B-L-H	55301S
PT4108	BORGW	471224	QWB578	QUINT	226285	QX62779	JOHND	474274	R23437	CONTI	471868
PT4110	BORGW	473215	QWB579	QUINT	2002	QX72410	JOHND	473229	R24226	GAL	416654
PT4112	BORGW	471466	QWB597	QUINT	223605	R84114	JOHND	J1396	R24226	GAL	455012
PT44110	BORGW	471442	QWB602	QUINT	1126	R00127165	MAZDA	712011	R24752	US-EL	415498
PT44110A	BORGW	450030	QWB62	QUINT	224100	R005500	MERIX	357PKG	R250116	WILSO	450067
PT44110A	BORGW	474253	QWB620	QUINT	224100	R1075824	WILSO	415128	R250116	WILSO	473228
PT581	BORGW	470064	QWB625	QUINT	1950	R10778	GAL	455024	R262124	WILSO	450070
PT581	BORGW	471821	QWB628	QUINT	225225	R10779	GAL	416339	R262124	WILSO	472185
PT7523	JOHND	471760	QWB637	QUINT	1180	R10779	GAL	455031	R27347	GAL	473405
PT7524	JOHND	471643	QWB640	QUINT	1955	R1080	WILSO	417602	R3002	WILSO	450301
PTA122	F-R-H	481864	QWB692	QUINT	225010	R10C110	BORGW	410059	R3002	WILSO	472397
PTS913	AT SU	473215	QWB693	QUINT	1948	R10C110	BORGW	470380	R3024	B-L-H	55301S
PX6060742	CATER	415284	QWB694	QUINT	1956	R10H110	BORGW	9613S	R304	IRON	471354

INTERCHANGE SECTION

COMPETITIVE INTERCHANGES

Mfr No.	Mfr.	National	Mfr No.	Mfr.	National	Mfr No.	Mfr.	National	Mfr No.	Mfr.	National
R30HH102	DANA	416865	R50036	WILSO	455022	RAG350	PERFC	473517	RF18517	GUY	455013
R31324	WILSO	410312N	R50038	WILSO	415023	RAG351A	PERFC	471192	RF18800	GUY	450365
R31440	JOHND	412473	R5004	WILSO	415035	RAG450	PERFC	471870	RF18800	GUY	470898
R31440	JOHND	415894	R5004	WILSO	455035	RAG450	PERFC	471883	RF193	IRON	450082
R319124	WILSO	470088	R50217335	MAZDA	710283	RC07004	FUNK	471192	RF193	IRON	473238
R32349	CASE	417601	R5110	BORGW	450095	RC446	GRAY	417191	RF19620	GUY	415281N
R33214	GAL	471354	R5110	BORGW	473464	RCF7206	FUNK	340724	RF20382	GUY	471689
R33338	JOHND	473227	R5504	WILSO	415036	RCO7004	FUNK	471192	RF20691	GUY	471820
R33338R	JOHND	473227	R550412	WILSO	415196	RCP71164	FUNK	6936S	RF20795	GUY	415995
R33339R	JOHND	473227	R550416	WILSO	416888	RCP71164	FUNK	9845	RF20795	GUY	455013
R33340	JOHND	416404	R550416	WILSO	455200	RD33266	GAL	470077	RF20882	GUY	415458
R335212	WILSO	412119	R55048	WILSO	416891	RD33266	GAL	474281	RF20882	GUY	455003
R335212	WILSO	450101	R575416	WILSO	416892	RD41543	GAL	450069	RF23395	GUY	472439
R33528	WILSO	411253	R575424	WILSO	415138	RD41543	GAL	473232	RF24187	GUY	470163
R33528	WILSO	450099	R600L204	CONTI	417344	RD41544	GAL	450441	RF24187	GUY	471766
R33543	GAL	415007	R600L204	CONTI	455006	RD41544	GAL	471341	RF2523	GUY	471316
R34650	JOHND	471413	R600L293	CONTI	471466	RD46540	GAL	416706	RF2913	GUY	472012
R354216	WILSO	415001	R600S247	CONTI	330385	RD46540	GAL	455272	RF2921	GUY	470169
R354216	WILSO	455001	R6110	BORGW	8160S	RD49164	GAL	417604	RF2921	GUY	473214
R35735	JOHND	416047	R6110A	BORGW	8160S	RD49243	GAL	455356	RF2922	GUY	472015
R35735	JOHND	416332	R625416	WILSO	415351	RD50	UNIVE	450316	RF2925	GUY	450352
R35735R	JOHND	416047	R625430	WILSO	417273	RD50	UNIVE	472636	RF2925	GUY	472164
R35735R	JOHND	416332	R6542Z	WITTE	416921	RD51	UNIVE	473211	RF2932	GUY	415991
R35738	JOHND	240356	R6542Z	WITTE	455011	RD52688	GAL	415449	RF2932	GUY	455146
R35738R	JOHND	340356	R675516	WILSO	416107	RD52688	GAL	455147	RF2956	GUY	415995
R35798R	JOHND	470380	R675516	WILSO	455073	RD52761	GAL	418028	RF2956	GUY	455013
R362220	WILSO	415458	R746D	JOHND	471737	RD52761	GAL	455137	RF3702	GUY	471760
R362220	WILSO	455003	R7506	WILSO	415072	RD53870	AMC	351487	RF3932	GUY	415991
R36423	JOHND	476470	R769DN	JOHND	40652S	RD54429	AMC	450066	RF3932	GUY	455146
R37410	JOHND	417343	R800616	WILSO	416229	RD54429	AMC	473367	RF4018	GUY	473440
R37410R	JOHND	417343	R8592	LETN	450183	RD55363	GAL	415150	RF5409	GUY	471466
R375224	WILSO	417316	R8592	LETN	472179	RD55426	GAL	416288	RF5410	GUY	471442
R375224	WILSO	455004	R86374	WILSO	416077	RD56	UNIVE	471762	RF5613	GUY	416664
R4003	WILSO	415995	R8643	LETN	450269	RE13181	JOHND	417344	RF5613	GUY	455364
R4003	WILSO	455013	R88597	JOHND	J1121	RE14439	JOHND	3173	RF5800	GUY	410520
R40117335	MAZDA	2443	R888712	WILSO	455117	RE11036	JOHND	39952	RF5800	GUY	471272
R40117399	MAZDA	2443	R901716	WILSO	415551	RE13310	JOHND	39956	RF5801	GUY	450519
R4253	WILSO	417487	R945001	MERIX	100494	RE1537	FUNK	416154	RF5801	GUY	471271
R4253	WILSO	455014	R945001	ROCKW	100494	RE17352	JOHND	39954	RF5866	GUY	471272
R42532	WILSO	455015	R945002	MERIX	100495	RE22764	JOHND	39954	RF8619	GUY	450494
R42536	WILSO	456105	R945002	ROCKW	100495	RE24959	JOHND	39952	RF8619	GUY	472164
R42538	WILSO	455018	R945003	MERIX	100263	RE35885	GMC	39952	RF8628	GUY	450365
R42538	WILSO	476470	R945003	ROCKW	100263	RES3905	CONTI	415025	RF8628	GUY	470898
R434	FULLE	455134	R945004	MERIX	100557	RF0112062	MAZDA	223012	RF8660	GUY	473179
R4373	WILSO	417488	R945004	ROCKW	100557	RF0112602	MAZDA	223012	RF8945	GUY	472150
R44508	FORD	471354	R945007	MERIX	100557	RF0312603	MAZDA	223235	RL6491	HART	470027
R44508	WOODB	471354	R945007	ROCKW	100557	RF0312603A	MAZDA	223235	RL6491	HART	471554
R450316	WILSO	415991	R945008	MERIX	100495	RF10513	GUY	410987	RLE8360	CASE	470358
R450316	WILSO	455146	R945008	ROCKW	100495	RF10513	GUY	450686	RLE8360	CASE	473231
R45406	JOHND	J1126	R945009	MERIX	100263	RF10624	GUY	415449	RM14610	HEIL	417538
R462	FULLE	416654	R945009	ROCKW	100263	RF10624	GUY	455147	RM14611	HEIL	416229
R462	FULLE	455012	R945010	MERIX	100494	RF10676	GUY	415035	RM14612	HEIL	450194
R5003	WILSO	455019	R945010	ROCKW	100494	RF10676	GUY	415953	RM14612	HEIL	473010
R500316	WILSO	415027	RA0227165	MAZDA	712011	RF14519	GUY	470169	RM14613	HEIL	471442
R500316	WILSO	455027	RA14755	PETTI	40555	RF14519	GUY	473214	RM14614	HEIL	472560N
R50032	WILSO	415021	RA14755	PETTI	40555S	RF15232	GUY	417492	RM14614	HEIL	50151S
R500324	WILSO	416339	RA17455	PETTI	40555	RF16207	GUY	417247	RM14619	HEIL	412119
R500324	WILSO	455031	RA17455	PETTI	40555S	RF16292	GUY	416135	RM14619	HEIL	450101
R500330	WILSO	415034	RA2277310	TW-DI	415304	RF17920	GUY	473179	RM14620	HEIL	416476
R500330	WILSO	455034	RA2277310	TW-DI	476470	RF18517	GUY	415995	RM14620	HEIL	455075

INTERCHANGE SECTION

COMPETITIVE INTERCHANGES



Mfr No.	Mfr. National	Mfr No.	Mfr. National	Mfr No.	Mfr. National	Mfr No.	Mfr. National
RM14621	HEIL 455197N	RO58	ATP 710731	RT6223	BL-KN 473215	S110	EIMCO 470045
RM14622	HEIL 470163	RO59	ATP 710702	RT6224	BL-KN 473236	S110	EIMCO 476838
RM14622	HEIL 471766	RO60	ATP 223830	RT7330	BL-KN 413247	S110	MACK 323138
RM14624	HEIL 415088	RO61	ATP 710732	RT7330	BL-KN 450350	S1101	EIMCO 473228
RM14624	HEIL 455088	RO62	ATP 223830	RT7412	BL-KN 450085	S111	EIMCO 471652
RM14627	HEIL 470027	RO64	ATP 2025	RT7412	BL-KN 470530	S11333067	MAZDA 225225
RM14627	HEIL 471554	RO67	ATP 710582	RT7413	BL-KN 450183	S1140	EIMCO 473239
RM1463	HEIL 416271	RO68	ATP 710740	RT7413	BL-KN 472179	S115	EIMCO 473427
RM14631	HEIL 471442	RO69	ATP 710616	RT908	MINNM 473225	S1160	EIMCO 473242
RM14632	HEIL 416345	RO70	ATP 710752	RTB3920	GACO 470088	S1180	LETN 417562
RM14632	HEIL 455033	RO74	ATP 471950	RTC4289	ROVER 710780	S119	EIMCO 470077
RM14633	HEIL 416865	RO76	ATP 710141	RTC5102	ROVER 224010	S119	EIMCO 474281
RM1464	HEIL 416107	RO77	ATP 712551	RTL366	FAIRB 450067	S1200	EIMCO 473243
RM1464	HEIL 455073	RO79	ATP 712551	RTL366	FAIRB 473228	S121	EIMCO 473205
RM14642	HEIL 450094	RO80	ATP 710112	RV538282	SKF 100944	S123	GRAY 473438
RM14642	HEIL 473462	RO81	ATP 710319	RW2025	ACDEL 370023A	S124	EIMCO 471413
RM1466	HEIL 415072	RO83	ATP 223840	RW2025	ACDEL 380023A	S125	EIMCO 470163
RM14671	HEIL 415001	RO84	ATP 710319	RW507	FED 353120	S125	EIMCO 471766
RM14671	HEIL 455001	RO85	ATP 710319	RW507D850	GMC 5458	S1251	EIMCO 410752
RM1468	HEIL 417357	RO87	ATP 710109	RW507E850	GMC 5458	S126	EL-MO 471950
RM1468	HEIL 455192	RO2358	MASSE 471733	RW509850	GMC 5589	S1275	EIMCO 416664
RM1469	HEIL 471231	RO2364	MASSE 474276	RW707	GMC 5573	S128	EIMCO 471808
RM14692	HEIL 410316	RO5109A	MASSE 416107	RW707	HYST 5573	S128	EL-MO J1127
RM14692	HEIL 472636	RO5109A	MASSE 455073	RX1582	OLIVE 470163	S129	EIMCO 470347
RM146A15	HEIL 470403	RO5118	MASSE 412943	RX1582	OLIVE 471766	S129	EIMCO 474254
RM146A15	HEIL 470774	RO5118A	MASSE 412943	RX1583	OLIVE 471424	S129	EL-MO 473233
RM146A173	HEIL 450115	RO5119A	MASSE 472439	RX19279	GMC 471554	S130	EIMCO 450341
RM146A173	HEIL 473467	RO5121A	MASSE 417554	RX44183	JOHND 415142	S1301	EIMCO 415013
RM146A189	HEIL 471466	RO5188A	MASSE 412943	RX44565	JOHND 415995	S1301	EIMCO 415995
RM146A194	HEIL 417316	RO5519A	MASSE 472439	RX44565	JOHND 455013	S131	EIMCO 473423
RM146A194	HEIL 455004	ROLL2X	LK-BT 471689	RX45715	JOHND 455195	S1311	EIMCO 416404
RM146A2	HEIL 416888	ROO083041	FWD 471646	RX45715	JOHND 472157	S1313	EIMCO 416011
RM146A2	HEIL 455200	RP5087	ITM 473229	RX45933	JOHND 470027	S1313	EIMCO 417621
RM146A202	HEIL 415076	RQ00366	READY 473473	RX45933	JOHND 471554	S1314	EIMCO 415016N
RM146A29	HEIL 417562	RQ88222	READY 471763	RX45951	JOHND 470027	S133	EIMCO 416011
RM146A34	HEIL 450154	RQ88302	READY 473473	RX45951	JOHND 471554	S133	EIMCO 417621
RM146A34	HEIL 473234	RQ92993	READY 471763	RZL12	AM CA 480630	S134	MACK 450316
RM146A344	HEIL 416891	RT1027	MASSE 415284	S0283343	IH 455186	S134	MACK 472636
RM146A346	HEIL 470548	RT153	MINNM 473213	S27267	HENDR 370025A	S1350	EIMCO 415437
RM146A346	HEIL 470625	RT3718	BL-KN 450183	S27267	HENDR 380025A	S137	EIMCO 472258
RM146A390	HEIL 40027S	RT3718	BL-KN 472179	S00506	GR-RP 470380	S137	EL-MO J1111
RM146A8	HEIL 417357	RT3719	BL-KN 416738	S02047	CARDX 417191	S1386	EIMCO 417211
RM146A8	HEIL 455192	RT3719	BL-KN 450096	S02047	CARDX 455165	S139	EIMCO 473215
RM146A92	HEIL 410316	RT442	PERFC 417344	S100	EIMCO 240731	S140	EIMCO 473446
RM146A92	HEIL 472636	RT450B	TRANG 473215	S101	EIMCO 470120	S140	EL-MO 473445
RO1	ATP 480479H	RT502A	TRANG 450121	S101	EIMCO 471224	S14048	KELSE 6064
RO21	ATP 223830	RT502A	TRANG 472409	S102	EIMCO 340724	S141	EIMCO 472658
RO21	ATP 223831	RT513547	TRANG 415498	S1042KH	Y-T 5119	S141	EIMCO 473197
RO27	ATP 223540	RT514D	TRANG 450316	S1050	EIMCO 410119	S142	EIMCO 413469
RO28	ATP 223830	RT514D	TRANG 472636	S1050	EIMCO 471442	S142	EL-MO 473228
RO32	ATP 710876	RT525B	TRANG 455195	S106	EL-MO 471231	S143	EIMCO 473016
RO33	ATP 710173	RT525B	TRANG 472157	S1072	C-W 416476	S145	EIMCO 473226
RO34	ATP 224810	RT5317	BL-KN 450085	S1072	C-W 455075	S146	EIMCO 450621
RO4	ATP 223520	RT5317	BL-KN 470530	S1072	WOOL 416476	S147	EIMCO 473439
RO43	ATP 710689	RT5756	BU-SP 471192	S1072	WOOL 455075	S148	EIMCO 40382
RO49	ATP 710329	RT6000A51	BL-KN 450183	S107211035	WOOL 416476	S150	EIMCO 473227
RO51	ATP 223830	RT6000A51	BL-KN 472179	S107211035	WOOL 455075	S15088	NOVO 472826
RO53	ATP 710247	RT6000A52	BL-KN 473460	S1077	EIMCO 470954	S15089	NOVO 415995
RO54	ATP 710806	RT6076	BL-KN 450183	S1089	EIMCO 471795	S15089	NOVO 455013
RO57	ATP 710704	RT6076	BL-KN 472179	S109	EIMCO 471651	S151	EIMCO 470059

INTERCHANGE SECTION

COMPETITIVE INTERCHANGES

Mfr No.	Mfr.	National	Mfr No.	Mfr.	National	Mfr No.	Mfr.	National	Mfr No.	Mfr.	National
S151	EIMCO	470380	S16132	BORGW	450365	S187	EIMCO	410524	S2213	EIMCO	472015
S15171	LETN	450066	S16132	BORGW	470898	S188	EIMCO	450082	S2225	EIMCO	411376
S15171	LETN	473367	S16132	FMC	450365	S188	EIMCO	473238	S223	EIMCO	450441
S153	EIMCO	240319	S16132	FMC	470898	S189	LETN	415025	S223	EIMCO	471341
S154	EIMCO	473458	S16134	CUMMI	340385	S190	LETN	455406	S225	EIMCO	450316
S15415	C-P	471354	S16135	CUMMI	472287	S1918	CUMMI	471466	S225	EIMCO	472636
S15485	NOVO	473016	S16136	CUMMI	472826	S197	EIMCO	50528	S228	EIMCO	415234
S155	EIMCO	450326	S16138	CUMMI	471570	S199	EIMCO	352541	S2293	EIMCO	475012N
S1550	EIMCO	416107	S16140	CUMMI	471765	S200	EIMCO	450389	S2298	LETN	455026
S156	EIMCO	416892	S16141	CUMMI	471354	S200	EIMCO	472492	S2299	LETN	417269
S15804485A000	EMRSN	471549	S16142	CUMMI	39302	S2002	CUMMI	473215	S2300	EIMCO	415836
S160	EIMCO	450185	S16143	CUMMI	415449	S2013	LUF	410163	S2300	EIMCO	415995
S160	EIMCO	473229	S16143	CUMMI	455147	S2013	LUF	471766	S2383	LETN	416167
S161	EIMCO	415294	S16147	CUMMI	450070	S202	EIMCO	450083	S2383	LETN	455091
S161	EIMCO	455294	S16147	CUMMI	472185	S202	EIMCO	472924	S2384	LETN	417171
S16100	CUMMI	470120	S16148	CUMMI	417316	S2021	LUF	450070	S2385	LETN	457874
S16100	CUMMI	471224	S16148	CUMMI	455004	S2021	LUF	472185	S2386	LETN	417539
S16101	CUMMI	470163	S16149	CUMMI	450194	S2025	LUF	471870	S2388	EIMCO	415034
S16101	CUMMI	471766	S16149	CUMMI	473010	S2025	LUF	471883	S244	CONST	471887
S16103	CUMMI	471192	S16150	CUMMI	340385	S2027B	LUF	450441	S250	EIMCO	411245
S16106	BORGW	415138	S16151	FMC	415449	S2027B	LUF	471341	S250	EIMCO	455096
S16106	CUMMI	471103	S16152	CUMMI	417501	S2032	LUF	416654	S2500	EIMCO	415725
S16106	CUMMI	50197S	S16153	CUMMI	473016	S2032	LUF	455012	S253	EIMCO	450519
S16106	FMC	415138	S16154	CUMMI	471785	S2035	LUF	415304	S253	EIMCO	471271
S16106	TRANG	415138	S16155	CUMMI	472705	S2035	LUF	476470	S254	EIMCO	415001
S16108	CUMMI	470045	S16157	CUMMI	340385	S2049	CUMMI	450076	S254	EIMCO	455001
S16108	CUMMI	476838	S16158	CUMMI	471529	S2049	CUMMI	470334	S255	EIMCO	40555
S16109	CUMMI	2291	S16161	CUMMI	471571	S2049A	LUF	417541	S255	EIMCO	40555S
S16110	CUMMI	450083	S1617	GR-RP	471267	S205	EIMCO	473242	S2580	MIXMO	473446
S16110	CUMMI	472924	S162	EIMCO	450066	S2050	BORGW	450335	S2601	EIMCO	471554
S16111	CUMMI	470219	S162	EIMCO	473367	S2051	BORGW	470548	S2601	LETN	471192
S16111	CUMMI	471649	S16216	WABCO	415027	S2051	BORGW	470625	S2603	LETN	417512
S16113	CUMMI	473458	S1631	FMC	471192	S2052	BORGW	350435	S2604	EIMCO	473215
S16114	CUMMI	416654	S164	EIMCO	352541	S2054	BORGW	470565	S2604	LETN	412943
S16114	CUMMI	455012	S1642	GR-RP	471808	S2055	BORGW	415984	S2610	EIMCO	471224
S16115	CUMMI	470059	S165	EIMCO	450275	S2057	IG-RA	470712	S2611	EIMCO	40140S
S16115	CUMMI	470380	S167	EIMCO	450069	S206	EIMCO	410102	S2615	MIXMO	450115
S16116	CUMMI	39302	S167	EIMCO	473232	S2063	BORGW	450291	S2615	MIXMO	473467
S16118	CUMMI	450316	S1699	GR-RP	481163	S2063	BORGW	471141	S2617	MIXMO	450117
S16118	CUMMI	472636	S1700	GR-RP	450301	S2065	BORGW	415138	S2617	MIXMO	472572
S16119	CUMMI	450095	S1700	GR-RP	472397	S2065	TRANG	415138	S2621	EIMCO	410316
S16119	CUMMI	473464	S1715	LETN	450273	S207	EIMCO	416738	S2621	EIMCO	472636
S16120	CUMMI	470059	S176	EIMCO	450352	S207	EIMCO	450096	S2625	EIMCO	240736
S16120	CUMMI	470380	S176	EIMCO	472164	S2074	BORGW	471192	S263	CONST	416239
S16121	CUMMI	470950	S1765	WOOL	415047	S2077	BORGW	470548	S263	EIMCO	415483
S16121	CUMMI	6241S	S177	EIMCO	450291	S2077	BORGW	470625	S263	EIMCO	455368
S16122	CUMMI	471744	S177	EIMCO	471141	S208	EIMCO	450365	S265	CONST	450078
S16123	CUMMI	470712	S178	EIMCO	473448	S208	EIMCO	470898	S265	CONST	473444
S16124	CUMMI	411253	S1796	CUMMI	471419	S213	EIMCO	472015	S265	EIMCO	417082
S16124	CUMMI	450099	S1796	CUMMI	473367	S214	EIMCO	410312N	S2655	EIMCO	415447
S16125	CUMMI	450069	S1800	CUMMI	410085	S2140	EIMCO	471466	S2660	MIXMO	471763
S16125	CUMMI	473232	S1800	CUMMI	470530	S215	EIMCO	413469	S2677	MIXMO	450177
S16126	CUMMI	470169	S1805F162	CUMMI	415086N	S2166	MIXMO	450066	S268	EIMCO	455151
S16126	CUMMI	473214	S1805F162	CUMMI	417487	S2166	MIXMO	473367	S2684D	JOHND	473179
S16127	CUMMI	450067	S181	EIMCO	473450	S2177	EIMCO	472185	S2786	MIXMO	474274
S16127	CUMMI	473228	S184	EIMCO	473451	S218	EIMCO	472234	S279	EIMCO	415303
S16128	CUMMI	471829	S185	EIMCO	450298	S219	EIMCO	472018	S280	EIMCO	417316
S16129	CUMMI	471820	S185	EIMCO	473239	S220	EIMCO	473245	S280	EIMCO	455004
S16130	CUMMI	415003	S1855	CUMMI	415060	S2202	EIMCO	472924	S281	EIMCO	417484N
S16130	CUMMI	415458	S186	EIMCO	473240	S2204	GMC	471413	S281	EIMCO	455322

INTERCHANGE SECTION

COMPETITIVE INTERCHANGES



Mfr No.	Mfr.	National	Mfr No.	Mfr.	National	Mfr No.	Mfr.	National	Mfr No.	Mfr.	National
S2819	MIXMO	481163	S328	EIMCO	415023	S4892	MUSAS	710235	S6208	WHITE	415449
S2828	MIXMO	470328	S329	EIMCO	415023	S4894	MUSAS	3051N	S6208	WHITE	455147
S2828	MIXMO	481213	S336	EIMCO	415442	S4895	MUSAS	710819	S6209	WHITE	415302
S284	EIMCO	475384	S338	EIMCO	417191	S4896	MUSAS	710739	S6212	WHITE	417316
S2852	MIXMO	450352	S338	EIMCO	455165	S490	EIMCO	417273	S6212	WHITE	455004
S2852	MIXMO	472164	S339	EIMCO	455249	S501	EIMCO	417278	S6214	WHITE	417158
S287	EIMCO	417344	S340	ELGIN	223340	S50116103	MAZDA	223012	S6214	WHITE	455355
S287	EIMCO	455006	S350	EIMCO	415437	S502	EIMCO	417541	S6249	LETN	417509
S288	EIMCO	455310	S360	EIMCO	415991	S51	EIMCO	471442	S62491	LETN	417509
S289	EIMCO	416921	S360	EIMCO	455146	S5265	EIMCO	417082	S625	EIMCO	417562
S289	EIMCO	455011	S3621	CARDX	417191	S535383	BORGW	470625	S630	EIMCO	415294
S290	EIMCO	455144	S3621	CARDX	455165	S538	EIMCO	455576	S630	EIMCO	455294
S2901	MIXMO	352541	S363	EIMCO	415937	S5452	EIMCO	416154	S6302	WHITE	417171
S293	EIMCO	416654	S366	EIMCO	415379	S560	EIMCO	415447	S6305	WHITE	475009N
S293	EIMCO	455012	S366	EIMCO	455379	S5M289	TIMKE	5M289	S6312	WHITE	417181
S2975119	NATAU	472439	S3665	EIMCO	J1117	S5M293	TIMKE	5M293	S6314	WHITE	415138
S300	EIMCO	417350	S3679	MIXMO	450066	S5M403	TIMKE	5M403	S63323	C-P	240356
S300	EIMCO	455479	S3679	MIXMO	473367	S5M466	TIMKE	5M466	S63324	C-P	473466
S301	EIMCO	415995	S3680	MIXMO	415437	S5M643	TIMKE	5M643	S64	EIMCO	471466
S301	EIMCO	455013	S380	EIMCO	415958	S5M81	TIMKE	5M81	S6501	MUSAS	710227
S3013G	REPUB	351267	S380	EIMCO	455958	S5M89	TIMKE	5M89	S6502	MUSAS	710228
S3013G	REPUB	471267	S38126157	VILA	710150	S5MR1008	TIMKE	5MR1008	S65038	CASE	417344
S3014G	REPUB	472560N	S38126157A	MAZDA	710150	S5MR1009	TIMKE	5MR1009	S65046	C-P	471750
S3014G	REPUB	50151S	S390	EIMCO	415034	S5MR1300	TIMKE	5MR1300	S6514	MUSAS	222745
S3015G	REPUB	471413	S390	EIMCO	455034	S5MR71	TIMKE	5MR71	S6520	MUSAS	710859
S3016G	REPUB	471466	S400	CLOYE	223400	S600	EIMCO	415072	S6524	MUSAS	223801
S3017G	REPUB	340151	S400	ELGIN	223400	S6050	WHITE	415449	S6616	LETN	472144
S3019	MIXMO	450519	S401	EIMCO	417356	S6050	WHITE	455147	S7214	WHITE	417158
S3019	MIXMO	471271	S401	EIMCO	455188	S6051	WHITE	417344	S7214	WHITE	455355
S302	EIMCO	417351	S410	ELGIN	710416	S6053	MERIX	470045	S7215	WHITE	415960
S302	EIMCO	455154	S412	EIMCO	415043	S6053	MERIX	476838	S7215	WHITE	455009
S3023G	REPUB	351267	S413	EIMCO	417512	S6053	ROCKW	470045	S7243	LETN	472439
S3023G	REPUB	471267	S4135	CARDX	411253	S6053	ROCKW	476838	S7306	WHITE	415023
S3024C	REPUB	474278	S4135	CARDX	450099	S6053	WHITE	470045	S760423	MIXMO	240151
S3024C	REPUB	6859S	S414	EIMCO	455203	S6053	WHITE	476838	S79567	C-P	40370S
S3026F	REPUB	6835S	S415	EIMCO	415295	S6054	WHITE	470027	S8337	JOHND	450765
S3027C	REPUB	7188S	S420T	ELGIN	223420	S6054	WHITE	471554	S84143	C-P	340151
S3029C	REPUB	6835S	S425	EIMCO	455195	S6056	WHITE	450066	S843	LETN	473245
S3031C	REPUB	8773S	S425	EIMCO	472157	S6056	WHITE	473367	S85318	C-P	350414
S3036C	REPUB	474278	S4250	CARDX	415007	S6101	WHITE	450117	S85318	C-P	472311
S3036C	REPUB	6859S	S430	EIMCO	455197N	S6101	WHITE	472572	S85513	GMC	416888
S3039G	REPUB	7013S	S452	EIMCO	416154	S6102	WHITE	412943	S85513	GMC	455200
S304	EIMCO	417487	S455	EIMCO	416892	S6103	WHITE	450115	S86830	C-P	351267
S304	EIMCO	455086	S4553	LETN	415437	S6103	WHITE	473467	S86830	C-P	471267
S3041G	REPUB	8059S	S4553	LETN	455173	S6104	WHITE	416339	S86832	C-P	416404
S306	EIMCO	55548	S465154	MIXMO	410308	S6104	WHITE	455031	S86B1535	GREEN	240731
S310	CONST	472185	S465154	MIXMO	450308	S6105	WHITE	450316	S86B428	GREEN	240736
S312	EIMCO	416404	S480785	MIXMO	5751	S6105	WHITE	472636	S87	EIMCO	471570
S313	EIMCO	416011	S4809112	MIXMO	455336	S6106	WHITE	412943	S88	EIMCO	471267
S313	EIMCO	417621	S4874	MUSAS	225005	S6108	WHITE	450067	S89	EIMCO	470590
S314	EIMCO	416288	S4876	MUSAS	710230	S6108	WHITE	473228	S8900	LETN	417158
S319	EIMCO	417490	S4881	MUSAS	710464	S6109	WHITE	411253	S8900	LETN	455355
S3208	MIXMO	416345	S4882	MUSAS	710463	S6109	WHITE	450099	S96168	CASE	416888
S3208	MIXMO	455033	S4883	MUSAS	710226	S6110	WHITE	450593	S9694	LETN	471579
S3216	MIXMO	415041	S4884	MUSAS	710529	S6112	WHITE	450183	S9697	LETN	415711
S3246	MIXMO	417546	S4885	MUSAS	223050	S6112	WHITE	472179	S971	LETN	415351
S325	EIMCO	455018	S4886	MUSAS	222558	S6119	CUMMI	415995	S977	MACK	450400
S325	EIMCO	476470	S4887	MUSAS	223230	S6119	CUMMI	455013	S99	EIMCO	450457
S3254	MIXMO	455079	S4888	MUSAS	710236	S6207	WHITE	411245	S9900	MASSE	473461
S3276	MIXMO	416282	S4889	MUSAS	710235	S6207	WHITE	455096	S9901	MASSE	50528

INTERCHANGE SECTION

COMPETITIVE INTERCHANGES

Mfr No.	Mfr.	National	Mfr No.	Mfr.	National	Mfr No.	Mfr.	National	Mfr No.	Mfr.	National
S9904	LILIS	473236	SA16434	CLARK	450073	SB207	COFAP	6936S	SE26	CTD	442109
S9904	MASSE	473236	SA16899	CLARK	416154	SB901241178	JOY	412473	SE30	CTD	455253
S9905	MASSE	470169	SA17087	CLARK	472492	SB901241178	JOY	415894	SE31	CTD	55337
S9905	MASSE	473214	SA17393	CLARK	240731	SBG41M91723	CINMI	471442	SE34	CTD	40286
S9906	BORGW	450474	SA17781	CLARK	351028	SC1508	LETN	411348	SE35	CTD	455079
S9906	MASSE	450474	SA17918	CLARK	413248	SC160	EMSCO	417181	SE36	CTD	455655
S9907	MASSE	5872S	SA179543	BENDI	351267	SC2504	LETN	416339	SE37	CTD	42421S
S9910	CONTI	473423	SA179543	BENDI	471267	SC2504	LETN	455031	SE38	CTD	204506
S9910	MASSE	473423	SA18965	CLARK	370021A	SC2978	LETN	416921	SE40	CTD	41013S
S9911	MASSE	350954	SA19653	CLARK	416070	SC2978	LETN	455011	SE41	CTD	204506
S9911	MASSE	470954	SA20407	CLARK	6663S	SC4613	LETN	415995	SE42	CTD	45013S
S9912	BORGW	471829	SA30050	CLARK	471538	SC4613	LETN	455013	SE43	CTD	204020
S9912	MASSE	471829	SA30119	CLARK	350156	SC525	LETN	450070	SE43	CTD	204505
S9922	MASSE	450444	SA30119	CLARK	473096	SC525	LETN	472185	SE44	CTD	204508
S9922	MASSE	471835	SA30614	CLARK	5865	SC5478	LETN	411376	SE47	CTD	410102
S9925	MASSE	471760	SA31026	CLARK	416422	SC5478	LETN	455093	SE48	CTD	415088
S9931	MASSE	413247	SA31030	CLARK	415371	SC5485	LETN	417344	SE54	CTD	416149
S9931	MASSE	450350	SA31076	CLARK	415076	SC5485	LETN	455006	SE57	CTD	204506
S9932	MASSE	450083	SA31305	CLARK	417344	SC5531	LETN	450085	SE58	CTD	46997S
S9932	MASSE	472924	SA31305	CLARK	455006	SC5531	LETN	470530	SE59	CTD	412725
S9936	MASSE	480630	SA31409	CLARK	410316	SC555	FMC	455396	SE61	CTD	7750
S9937	MASSE	470120	SA31409	CLARK	472636	SC7611	LETN	416654	SE63	CTD	473473
S9937	MASSE	471224	SA31568	CLARK	415146	SC7611	LETN	455012	SE64	CTD	204013
S9940	MASSE	418028	SA31568	CLARK	415991	SC8133	LETN	417191	SE65	CTD	204020
S9940	MASSE	455137	SA31670	CLARK	204017	SC8674	LETN	417485	SE0810602	MAZDA	8316
S9942	MASSE	470403	SA31713	CLARK	471341	SC8675	LETN	455032	SE1000008	AM BO	350364
S9942	MASSE	470774	SA33616	CLARK	417344	SC8965	LETN	416154	SE1015	AM BO	40162S
S9943	MASSE	415150	SA33990	CLARK	450067	SD110005176	SELAS	3698	SE3013	AM BO	350156
S9948	MASSE	470712	SA33990	CLARK	473228	SD113X2	FAWIC	415045	SE3013	AM BO	473096
S9949	MASSE	450194	SA34395	CLARK	J1125	SD113X3	FAWIC	415036	SF1707	LETN	417520
S9949	MASSE	473010	SA34776	CLARK	470605	SD113X4	FAWIC	472144	SF1707	WABCO	417520
SA10028	CLARK	417354	SA35449	CLARK	417247	SD113X5	FAWIC	415437	SF17073	LETN	417520
SA10177	CLARK	417344	SA35454	CLARK	415001	SD113X5	FAWIC	455173	SF1708	LETN	415645
SA10177	CLARK	455006	SA45107	CLARK	473237	SD113X6	FAWIC	455406	SF1708	LETN	455104
SA10279	CLARK	415991	SA45120	CLARK	470565	SD1827	STDFG	6663S	SF1723	LETN	417247
SA10279	CLARK	455146	SA48949	CLARK	415035V	SD2289	LETN	416892	SF1724	LETN	416476
SA10570	CLARK	415263	SA4996	CLARK	416921	SD2516	LETN	455310	SF1724	LETN	455075
SA10612	CLARK	450389	SA5043	CLARK	450070	SD3008	LETN	416107	SF17241	LETN	416476
SA10612	CLARK	472492	SA5043	CLARK	472185	SD3008	LETN	455073	SF17241	LETN	455075
SA10792	CLARK	450867	SA5195	CLARK	417507	SD5430	LETN	415991	SF4210	LETN	415437
SA10792	CLARK	470898	SA5195	CLARK	455513	SD5430	LETN	415991N	SF4210	LETN	455173
SA10951	CLARK	481163	SA5208	CLARK	415036	SD553487	SELAS	8610	SF5344	LETN	415284
SA11361	CLARK	415995	SA5889	CLARK	470351	SD5885	LETN	413469	SF5345	LETN	416345
SA11361	CLARK	455013	SA5889	CLARK	471504	SD6612	LETN	417491	SF5345	LETN	455033
SA12419	CLARK	471316	SA64601	EATON	712625	SD8181	GMC	450365	SF53456	WABCO	416345
SA12495	CLARK	417556	SA6725	CLARK	417210	SD8181	GMC	470898	SF53456	WABCO	455033
SA13011	CLARK	416125	SA7465	CLARK	417488	SD970	HU-WR	470027	SF5346	LETN	417205
SA13104	CLARK	470565	SA7753	CLARK	450083	SD970	HU-WR	471554	SF5347	LETN	455018
SA13222	CLARK	455117	SA7753	CLARK	472924	SD9705	LETN	417598	SF5347	LETN	476470
SA13223	CLARK	415683	SA7794	CLARK	471264	SE10	CTD	203025	SF53471	LETN	455018
SA13332	CLARK	415035	SA8814	CLARK	6584S	SE11	CTD	203013	SF53471	LETN	476470
SA13332	CLARK	455035	SA8856	CLARK	45031S	SE12	CTD	204017	SF5348	LETN	416229
SA13437	CLARK	415379	SA9177	CLARK	471763	SE13	CTD	204038	SF53481	LETN	416229
SA13437	CLARK	455379	SA9962	CLARK	415991	SE15	CTD	204027	SG1Q	ATP	342805
SA13514	CLARK	415995	SA9962	CLARK	455146	SE16	CTD	204506	SG21A	ATP	8792S
SA13514	CLARK	455013	SB938151	AMGEN	8430S	SE16	CTD	415082	SG2031	LETN	415437
SA14931	CLARK	417541	SB994258	AMGEN	481837	SE19	CTD	204005	SG2031	LETN	455173
SA15511	CLARK	472150	SB994261	AMGEN	9912	SE21	CTD	412027	SG2034	LETN	415142
SA15872	CLARK	470950	SB998092	AMGEN	5778	SE23	CTD	204035	SG2036	LETN	450389
SA15872	CLARK	6241S	SB1354S	PERFC	351028	SE25	CTD	204508	SG2036	LETN	472492

INTERCHANGE SECTION

COMPETITIVE INTERCHANGES



Mfr No.	Mfr.	National	Mfr No.	Mfr.	National	Mfr No.	Mfr.	National	Mfr No.	Mfr.	National
SG2039	LETN	455134	SK4380A108	BORGW	471267	SK700723	GMC	415035	SKT24088	SPICE	415995
SG4302	LETN	455336	SK438179	BORGW	410312N	SK7084	CLARK	416404	SKT24088	SPICE	455013
SG4349	LETN	415138	SK4391110	BORGW	411376	SK7695	CLARK	415147	SKT24089	SPICE	417484N
SG43492	LETN	415138	SK4391110	BORGW	455093	SK7695	CLARK	415449	SKT24089	SPICE	455322
SG43496	WABCO	415138	SK4407A110	BORGW	471795	SK793	SCHWI	J1115	SKT24095	SPICE	471570
SG7	CALSO	410524	SK4412	CLARK	470347	SK800723	GMC	416147	SKT25231	SPICE	415035
SG7067	LETN	7208S	SK4412	CLARK	474254	SK8286	CLARK	450316	SKT25231	SPICE	455035
SG7612	LETN	415937	SK4413A1110	BORGW	410059	SK8286	CLARK	472636	SKT25601	GMC	417344
SG8717	LETN	417298	SK4413A1110	BORGW	470380	SK8596	CLARK	415263	SKT25601	GMC	455006
SGR42609A	NOK	2025	SK4413AJ10	BORGW	8160S	SK8739	CLARK	415379	SKT25601	SPICE	417344
SK10045	CLARK	417316	SK4413DP110	BORGW	471344	SK8739	CLARK	455379	SKT25601	SPICE	455006
SK10045	CLARK	455004	SK4413LL110	BORGW	470548	SK8890	CLARK	470954	SKT26824	SPICE	470027
SK10088	CLARK	345035	SK4413LL110	BORGW	470625	SK8893	CLARK	471442	SKT26824	SPICE	471554
SK10332	CLARK	473405	SK4413R108	BORGW	471648	SKA1601134	SPICE	471950	SKT27711	SPICE	412119
SK12336	CLARK	416706	SK4413R110	BORGW	472287	SKA1618982	SPICE	2043	SKT27711	SPICE	450101
SK12336	CLARK	455272	SK4427AA110	BORGW	473235	SKA16333	SPICE	5778	SKT27720	SPICE	482253
SK12413	CLARK	470347	SK4427CC110	BORGW	450194	SKA165229	SPICE	482253	SKT27824	SPICE	5976S
SK12413	CLARK	474254	SK4427CC110	BORGW	473010	SKA165547	SPICE	240736	SKT27971	SPICE	415988
SK1283	HYST	417181	SK4439110	BORGW	410059	SKA168814	SPICE	472258	SKT27978	SPICE	412119
SK13081	CLARK	450444	SK4439110	BORGW	470380	SKA24751	SPICE	472234	SKT27978	SPICE	450101
SK13081	CLARK	471835	SK4440110	BORGW	473445	SKA24807	SPICE	473448	SKT29097	SPICE	450025
SK13082	CLARK	450352	SK4444W500	BORGW	473227	SKA43746	SPICE	450183	SKT29097	SPICE	471553
SK13082	CLARK	472164	SK4447B179	BORGW	450441	SKA43746	SPICE	472179	SKT30561	SPICE	473235
SK13505	CLARK	416404	SK4447B179	BORGW	471341	SKA44871	SPICE	474274	SKT31377	SPICE	450301
SK14164	CLARK	415004	SK444854	BORGW	471267	SKA46857	SPICE	40059S	SKT31377	SPICE	472397
SK14164	CLARK	417316	SK4449108	BORGW	470163	SKA65289	SPICE	450444	SKT31380	SPICE	470064
SK15028	CLARK	415449	SK4449108	BORGW	471766	SKA65289	SPICE	471835	SKT31380	SPICE	471821
SK15028	CLARK	455147	SK4461L110F	BORGW	410308	SKA65765	SPICE	6808N	SKT37866	SPICE	472705
SK16892	CLARK	413247	SK4461L110F	BORGW	450308	SKA69076	SPICE	471192	SKT41977	SPICE	416339
SK16892	CLARK	450350	SK4468B62	BORGW	450441	SKA69835	SPICE	450159	SKT41977	SPICE	455031
SK17271	SPICE	40769S	SK4468B62	BORGW	471341	SKB37478	SPICE	417267	SKT42821	SPICE	416888
SK1767	CLARK	472258	SK4514	CLARK	450194	SKB41934	SPICE	416345	SKT42821	SPICE	455200
SK1829	CHRY5	7412S	SK4514	CLARK	473010	SKB41934	SPICE	455033	SKT42913	SPICE	455019
SK20257	CLARK	473245	SK4520317	BORGW	340385	SKB49361	SPICE	5976S	SKT43885	SPICE	450082
SK20505	BORGW	8160S	SK4570DR44	BORGW	471141	SKB49363	SPICE	416229	SKT43885	SPICE	473238
SK20883	CLARK	473245	SK4572	CLARK	471744	SKG49524	SPICE	416158	SKT44550	SPICE	415379
SK25899	CLARK	471276	SK4739	CLARK	415995	SKG53896	SPICE	417343	SKT44550	SPICE	455379
SK25906	CLARK	472164	SK4739	CLARK	455013	SKH47752	SPICE	45637S	SKT44966	SPICE	450082
SK25910	CLARK	472658	SK4769	CLARK	415991	SKH52164	SPICE	416011	SKT44966	SPICE	473238
SK25910	CLARK	473197	SK4769	CLARK	455146	SKH52164	SPICE	417621	SKT44976	SPICE	471705
SK25911	CLARK	471466	SK4834	CLARK	470328	SKH53119	SPICE	418029	SKT45107	SPICE	450183
SK27234	SPICE	450117	SK4834	CLARK	481213	SKH53119	SPICE	455499	SKT45107	SPICE	472179
SK27234	SPICE	472572	SK51537	SPICE	450400	SKH53422	SPICE	471549	SKT48669	SPICE	417267
SK28389	CLARK	471267	SK5223	CLARK	412943	SKH54128	SPICE	418029	SKT50913	SPICE	410520
SK31097	CLARK	471281	SK5264	CLARK	240731	SKH54128	SPICE	455499	SKT50913	SPICE	471272
SK31284	CLARK	472572	SK5329	CLARK	415003	SKL1667355	GE	473445	SKT51818	SPICE	470358
SK3880	CHRY5	471271	SK5329	CLARK	415458	SKN1800047	SPICE	470351	SKT51818	SPICE	473231
SK408554HH	BORGW	450069	SK5338	CLARK	473447	SKN1800047	SPICE	471504	SKT71069	SPICE	350909
SK408554HH	BORGW	473232	SK5409	CLARK	415001	SKN1800048	SPICE	416865	SKT71069	SPICE	471224
SK4328	CLARK	472287	SK5409	CLARK	455001	SKS351106	HYST	417537	SKT71076	SPICE	471765
SK4329K110	BORGW	450362	SK5426	CLARK	416047	SKT1301854	SPICE	473235	SKT71447	SPICE	470954
SK4357B110	BORGW	470064	SK5426	CLARK	416332	SKT22273	GMC	418028	SKT72405	SPICE	416011
SK4357B110	BORGW	471821	SK55566	GMC	415004	SKT22273	GMC	455137	SKT72405	SPICE	417621
SK4357LL54	BORGW	473436	SK55566	GMC	417316	SKT22273	SPICE	418028	SKT72993	SPICE	450365
SK4359BB110	BORGW	450066	SK6244	CLARK	473179	SKT22273	SPICE	455137	SKT72993	SPICE	470898
SK4359BB110	BORGW	473367	SK6303	CLARK	470565	SKT22419	SPICE	472015	SKT75966	SPICE	330385
SK4372B4	BORGW	472560N	SK6474	CLARK	450076	SKT22844	SPICE	416167	SKT84544	SPICE	415146
SK4372B4	BORGW	50151S	SK6474	CLARK	470334	SKT22844	SPICE	455091	SKT84544	SPICE	415991
SK4380108	BORGW	470027	SK65795	GMC	416664	SKT23217	SPICE	450067	SKT84582	SPICE	450867
SK4380108	BORGW	471554	SK6739	CLARK	471192	SKT23217	SPICE	473228	SKT84582	SPICE	470898

INTERCHANGE SECTION

COMPETITIVE INTERCHANGES

Mfr No.	Mfr.	National	Mfr No.	Mfr.	National	Mfr No.	Mfr.	National	Mfr No.	Mfr.	National
SKT85537	SPICE	471466	SL260078	TIMKE	710857	SO57	ATP	710583	SS46369	VIC	471801
SKT87304	SPICE	473243	SL260081	TIMKE	710877	SP35702	SHOV	415437	SS46489	VIC	712250
SKTM56763	SPICE	416404	SL260083	TIMKE	710795	SP35702	SHOV	455173	SS46753	VIC	6649
SKTM56764	SPICE	481073	SL260084	TIMKE	710914	SP010371	LUF	472164	SS46829	VIC	370027A
SKTM56786	SPICE	417533	SL260085	TIMKE	710912	SP010732	LUF	411376	SS46841	VIC	370065A
SKTM56798	SPICE	455197N	SL260086	TIMKE	711007	SP010732	LUF	455093	SS46841	VIC	380065A
SKW140233	SPICE	416288	SL260087	TIMKE	710887	SP010745	LUF	417247	SS468411	VIC	370026A
SKW140577	SPICE	472164	SL260088	TIMKE	370247A	SP010746	LUF	415072	SS468413	VIC	370020A
SKW140799	SPICE	471344	SL260089	TIMKE	710308	SP010747	LUF	417606	SS468414	VIC	370065A
SKW141443	SPICE	473204	SL260092	TIMKE	710887	SP010749	LUF	410059	SS468414	VIC	380065A
SL10405	FORD	416404	SL260100	TIMKE	710937	SP010749	LUF	470380	SS46842	VIC	370036A
SL11171	FORD	472705	SL260101	TIMKE	711030	SP010775	LUF	417349	SS46842	VIC	370349A
SL250158	TIMKE	710863	SL260103	TIMKE	710884	SP010776	LUF	415991	SS46842	VIC	380036A
SL250159	TIMKE	710863	SL260113	TIMKE	710879	SP010776	LUF	455146	SS468421	VIC	370036A
SL260001	TIMKE	5693	SL260116	TIMKE	710713	SP010777	LUF	455195	SS468421	VIC	370349A
SL260002	TIMKE	710568	SL260117	TIMKE	710708	SP010777	LUF	472157	SS468421	VIC	380036A
SL260003	TIMKE	710574	SL260125	TIMKE	710719	SP010778	LUF	416865	SS468424	VIC	370036A
SL260004	TIMKE	710498	SL260126	TIMKE	710718	SP010779	LUF	415867	SS468424	VIC	370349A
SL260006	TIMKE	710552	SL260128	TIMKE	710714	SP010780	LUF	417606	SS468424	VIC	380036A
SL260007	TIMKE	710602	SL260129	TIMKE	710802	SP010792	LUF	415995	SS46845	VIC	370036A
SL260008	TIMKE	710603	SL260132	TIMKE	710673	SP010792	LUF	455013	SS46845	VIC	370349A
SL260011	TIMKE	710758	SL260133	TIMKE	710672	SP010794	LUF	415027	SS46845	VIC	380036A
SL260012	TIMKE	710891	SL260137	TIMKE	710709	SP010794	LUF	455027	SS46847	VIC	370037A
SL260014	TIMKE	710674	SL260138	TIMKE	710705	SP010812	LUF	418028	SS46847	VIC	370338A
SL260015	TIMKE	710896	SL260139	TIMKE	710706	SP010812	LUF	455137	SS46848	VIC	370107A
SL260016	TIMKE	710890	SL260144	TIMKE	710798	SP10	SHOV	471138	SS468481	VIC	370036A
SL260017	TIMKE	7412S	SL260148	TIMKE	710712	SP120572	SHOV	415138	SS468481	VIC	370349A
SL260018	TIMKE	155PKG	SL260149	TIMKE	710699	SP22512	SHOV	415187	SS468481	VIC	380036A
SL260019	TIMKE	710702	SL260150	TIMKE	710801	SP2367	LETN	6565N	SS46849	VIC	370027A
SL260021	TIMKE	710572	SL260151	TIMKE	320583	SP35542	SHOV	417254	SS47095	VIC	417344
SL260025	TIMKE	710878	SL260152	TIMKE	320583	SP35543	SHOV	415991	SS47275	VIC	5573
SL260026	TIMKE	710910	SL260154	TIMKE	710816	SP35543	SHOV	455146	SS472751	VIC	5573
SL260027	TIMKE	710639	SL260197	TIMKE	710678	SP505	SHOV	471138	SS47361	VIC	5202
SL260028	TIMKE	710842	SL6050	LETN	417602	SP6516	STEEL	470027	SS47362	VIC	5203
SL260029	TIMKE	710625	SL6051	LETN	417602	SP6516	STEEL	471554	SS47407	VIC	5666
SL260030	TIMKE	710754	SL9351	CATER	472287	SP6517	STEEL	471267	SS47515	VIC	5397
SL260031	TIMKE	710624	SM0454	NATEN	417539	SP67127S	MESC	1994	SS47537	VIC	5629
SL260034	TIMKE	710902	SM1636	NATEN	417543	SP75906	LUF	455018	SS47650	VIC	411275V
SL260038	TIMKE	710803	SM281C	BORGW	450183	SP75906	LUF	476470	SS47777	VIC	5487
SL260039	TIMKE	710788	SM281C	BORGW	472179	SP76127	LUF	473243	SS477781	VIC	5481
SL260040	TIMKE	710837	SM7101	MC-NO	471344	SP76371	LUF	450067	SS47789	VIC	5460
SL260041	TIMKE	711004	SM93	PETTI	450194	SP76371	LUF	473228	SS47795	VIC	370009A
SL260042	TIMKE	711003	SM93	PETTI	473010	SP76700	LUF	416888	SS47795	VIC	380009A
SL260043	TIMKE	710936	SM95	PETTI	415483	SPR1434	HU-WR	417223	SS477951	VIC	370024A
SL260044	TIMKE	710858	SM95	PETTI	455368	SS64234	VIC	370008A	SS47866	VIC	5624
SL260045	TIMKE	710858	SN4388	GMC	415137	SS68003	VIC	370025A	SS47869	VIC	370019A
SL260047	TIMKE	710789	SN4388	GMC	418028	SS68003	VIC	380025A	SS47870	VIC	5460
SL260048	TIMKE	711002	SN4415	GMC	417316	SS68003	VIC	386025A	SS47877	VIC	370046A
SL260052	TIMKE	711001	SN6933	GMC	470898	SS68004	VIC	370005A	SS47878	VIC	370069A
SL260053	TIMKE	710896	SN6955	GMC	353141	SS68005	VIC	370107A	SS47878	VIC	380069A
SL260054	TIMKE	710860	SN9693	GMC	472394	SS68006	VIC	370003A	SS47880SF	VIC	370047A
SL260055	TIMKE	710899	SO19	ATP	8792S	SS68006	VIC	380003A	SS47880SF	VIC	5649
SL260056	TIMKE	710550	SO2	ATP	342805	SS68007	VIC	370037A	SS47882	VIC	417360
SL260059	TIMKE	229005	SO22	ATP	9613S	SS68007	VIC	370338A	SS47883	VIC	370033A
SL260067	TIMKE	710824	SO47	ATP	710533	SS46057	VIC	5589	SS47885	VIC	370018A
SL260070	TIMKE	710871	SO48	ATP	710830	SS460571	VIC	5589	SS47887	VIC	370012A
SL260073	TIMKE	710055	SO49	ATP	710873	SS46098	VIC	5200	SS47889	VIC	370019A
SL260075	TIMKE	710593	SO51	ATP	710867	SS46140	VIC	5201	SS47890	VIC	370005A
SL260076	TIMKE	710741	SO55	ATP	710561	SS46328	VIC	5200	SS47891	VIC	370021A
SL260077	TIMKE	710857	SO56	ATP	710546	SS46328SF	VIC	5200	SS47983	VIC	370150A

INTERCHANGE SECTION

COMPETITIVE INTERCHANGES



Mfr No.	Mfr. National	Mfr No.	Mfr. National	Mfr No.	Mfr. National	Mfr No.	Mfr. National
SS48005	VIC 710022	SS64530	VIC 370001A	STD1569	AVCO 470169	T101	BUTBN 471766
SS48048	VIC 416154	SS64530	VIC 380001A	STD1569	AVCO 473214	T1010	MOPAR 203016
SS48173	VIC 417365	SS64534	VIC 370054A	SU00100527	TOYOT 710849	T1011	MOPAR 203025
SS49212	VIC 470354	SS64536	VIC 370023A	SU00100530	TOYOT 710849	T1012	MOPAR 450048
SS49251	VIC 6186	SS64536	VIC 380023A	SU00303629	TOYOT 223830	T10121S	TROS 39302
SS49521	VIC 6186	SS64538	VIC 370132A	SU8854	LF-PT 471337	T10136S	TROS 470625
SS495211	VIC 6186	SS64539	VIC 370131A	SV125	LETN 417556	T1014	MUSAS 231004
SS49742	VIC 5458	SS64539	VIC 380131A	SX13830	ALLCH 412040	T1016	MUSAS 221510
SS49745	VIC 416271	SS64539	VIC 455685	SX13831	ALLCH 450365	T10160	TROS 471763
SS49745	VIC 5066	SS64541	VIC 370011A	SX13831	ALLCH 470898	T10163S	TROS 410163
SS49929	VIC 5408	SS64542	VIC 370022A	SX46673	JOHND 411394	T10163S	TROS 471766
SS499291	VIC 5408	SS64542	VIC 380022A	SX46673	JOHND 450317	T10171S	TROS 473016
SS49932	VIC 5401	SS64546	VIC 370006A	SX47271	JOHND 415379	T1018	MUSAS 710156
SS49933	VIC 5403	SS64550	VIC 416888	SX47271	JOHND 455379	T10181	CASE 411253
SS61197	VIC 5065	SS64553	VIC 370019A	SZ31100002	HINO 231004	T10181	CASE 450099
SS62106	VIC 3492V	SS64558	VIC 370047A	SZ31101033	HINO 710369	T1019	MUSAS 221922
SS64225	VIC 370013A	SS64558	VIC 9584	SZ31101046	HINO 710421	T1020	MOPAR 240736
SS642252	VIC 370002A	SS645581	VIC 370169A	SZ31101047	HINO 710052	T1021	GERL 450301
SS64227	VIC 370012A	SS64561	VIC 370046A	SZ31101048	HINO 710371	T1021	GERL 472397
SS642272	VIC 370002A	SS64564	VIC 370046A	SZ31111046	HINO 710421	T1021	MOPAR 340356
SS642273	VIC 370012A	SS64567	VIC 370031A	SZ31152002	HINO 225225	T10219	TROS 471649
SS64229	VIC 370002A	SS64567	VIC 380031A	SZ31158003	HINO 225875	T1023	MOPAR 474278
SS64231	VIC 370029A	SS64569	VIC 370069A	SZ31190003	HINO 229005	T1023	MOPAR 480356
SS642311	VIC 370011A	SS64569	VIC 380069A	SZ31101034	HINO 710295	T1024	MOPAR 474278
SS642343	VIC 370008A	SS64571	VIC 370028A	SZ31380001	HINO 228020	T1027	MOPAR 474278
SS64236	VIC 370025A	SS64584	VIC 370024A	SZ31927001	HINO 712009	T1027	MOPAR 6859S
SS64236	VIC 380025A	SS64589	VIC 370009A	SZ31948004	HINO 710296	T1029	MOPAR 7412S
SS64236	VIC 386025A	SS64589	VIC 380009A	SZ31966001	HINO 710055	T10308	TROS 410308
SS64238	VIC 370004A	SS64589	VIC 5089	T13391	AA&M 710547	T10308S	TROS 410308
SS642382	VIC 370121A	SS64603	VIC 370003A	T351406	HYST 470163	T1033	GERL 417509
SS642383	VIC 370121A	SS64603	VIC 380003A	T351406	HYST 471766	T1034	MOPAR 471413
SS642401	VIC 370192A	SS66734	VIC 1943	T351417	HYST 450519	T1035	MOPAR 7412S
SS642402	VIC 370192A	SS66740	VIC 494117	T351417	HYST 471271	T1036	MOPAR 40140S
SS642403	VIC 370057A	SS66755	VIC 225110	T371474	HYST 471570	T1037	MOPAR 471413
SS64410	VIC 370027A	SS66802	VIC 223840	T429735	HYST 415027	T1038	MOPAR 471413
SS64412	VIC 370002A	SS6691	VIC 4899	T429735	HYST 455027	T1041	MOPAR 471737
SS644121	VIC 370011A	SS66912	VIC 5695	T77612081	HYST 417350	T1044	MOPAR 6906S
SS644123	VIC 370002A	SS66914	VIC 5696	T77612081	HYST 455479	T1044	MUSAS 1989
SS64414	VIC 370001A	SS66914	VIC 5700	T00527165A	MAZDA 710217	T10441S	TROS 471341
SS64414	VIC 380001A	SS66926	VIC 710097	T00527238A	MAZDA 710218	T1047	MOPAR 203029
SS64415	VIC 370124A	SS67139	VIC 5700	T00633065	MAZDA 710392	T10482D	HARN 415995
SS644151	VIC 370015A	SS68001	VIC 370036A	T02027165	MAZDA 710199	T10482D	HARN 455013
SS64437	VIC 370057A	SS68001	VIC 370349A	T02027238	MAZDA 710218	T10482P	HARN 415836
SS644372	VIC 370005A	SS68001	VIC 380036A	T0247576	CHRY5 710196	T10482P	HARN 415995
SS64443	VIC 370030A	SS68002	VIC 370065A	T0247576	JEEP 710196	T10496S	TROS 410496
SS64456	VIC 370002A	SS68002	VIC 380065A	T0267475	JEEP 1172	T1050	MUSAS 1981
SS64460	VIC 370014A	SS68008	VIC 370025A	T0695940	RENAU 716102	T1051	MOPAR 471750
SS64462	VIC 370015A	SS68008	VIC 380025A	T1002	MOPAR 471354	T1052	MOPAR 7781S
SS64464	VIC 370145A	SS68008	VIC 386025A	T1004	MOPAR 473205	T1052	MUSAS 710306
SS64468	VIC 370007A	ST1013	HOUGH 455195	T1005	MOPAR 474255	T1053	MOPAR 471750
SS64471	VIC 370014A	ST1013	HOUGH 472157	T1005	MUSAS 710325	T1054	MUSAS 223240
SS64482	VIC 370165A	ST22518	CLARK 470088	T10055S	TROS 473215	T1056	MOPAR 410163
SS64487	VIC 370010A	ST51258	CLARK 455330	T10059S	TROS 410059	T1056	MOPAR 471766
SS64491	VIC 370011A	STC1969	ROVER 714503	T10059S	TROS 470380	T10567	TROS 471267
SS64495	VIC 370033A	STC2037	ROVER 716484	T1006	MOPAR 470347	T1057	MOPAR 471766
SS64502	VIC 370018A	STC4397	ROVER 716484	T1006	MOPAR 474254	T1057	MUSAS 223542
SS64511	VIC 370012A	STD1473	AVCO 471765	T1007	MOPAR 472432	T1059	MOPAR 471763
SS64517	VIC 370048A	STD1484	AVCO 473236	T1007	MOPAR 474256	T1060	MUSAS 710318
SS64517	VIC 370182A	STD1568	AVCO 450352	T1008	MUSAS 710076	T1061	MUSAS 710319
SS64517	VIC 380048A	STD1568	AVCO 472164	T101	BUTBN 470163	T1062	MOPAR 410163

INTERCHANGE SECTION

COMPETITIVE INTERCHANGES

Mfr No.	Mfr.	National	Mfr No.	Mfr.	National	Mfr No.	Mfr.	National	Mfr No.	Mfr.	National
T1062	MOPAR	471766	T1136	MOPAR	484058	T1178	MUSAS	2025	T1234	MOPAR	472658
T1063	MOPAR	40652S	T1137	MOPAR	473435	T1180	MUSAS	228013	T1234	MOPAR	473197
T1063	MUSAS	223840	T1137	MUSAS	710765	T1181	MOPAR	471192	T1235	MUSAS	710876
T1064	MOPAR	470163	T1138	MOPAR	473436	T1182	MOPAR	5113	T1236	MUSAS	226285
T1064	MOPAR	471766	T1140	MOPAR	450054	T1183	MUSAS	710765	T1237	MOPAR	450516
T1066	MOPAR	41787S	T1140	MUSAS	1129	T11835	COC	450161	T1237	MUSAS	710575
T10660S	TROS	410119	T1141	MUSAS	222535	T11835	COC	471764	T1239	MUSAS	1981
T10660S	TROS	471442	T1142	MOPAR	8594S	T11854	COC	470163	T1240	MOPAR	8660S
T1067	MOPAR	471787	T1143	MOPAR	8133S	T11854	COC	471766	T1243	MUSAS	710252
T1067	MUSAS	1177	T1143	MUSAS	710070	T1186	MUSAS	1180	T1245	MUSAS	4899
T1069	MOPAR	450177	T1144	MOPAR	8549S	T1187	MOPAR	40169S	T1246	MUSAS	225275
T10708S	TROS	410708	T1145	MOPAR	6597S	T1187	MUSAS	710092	T1247	MUSAS	710110
T10719S	TROS	471984	T1146	MOPAR	6597S	T1188	MOPAR	7495S	T1248	MUSAS	710154
T1073	MOPAR	471795	T1147	MUSAS	224874	T1189	MOPAR	470169	T1250	MUSAS	2025
T1074	MUSAS	1950	T1148	MOPAR	323138	T1189	MOPAR	473214	T1251	MOPAR	473224
T1075	MOPAR	471801	T1148	MUSAS	224820	T1189	MUSAS	223840	T1253	MUSAS	4899
T1075	MUSAS	224200	T1149	MOPAR	330663	T119	MOPAR	5M81	T1254	MOPAR	473016
T1076	MOPAR	8293S	T1149	MOPAR	472354	T1190	MUSAS	224815	T1256	MOPAR	473016
T1077	MUSAS	710345	T1150	MOPAR	330663	T1191	MOPAR	9569S	T1256	MUSAS	223830
T1078	MOPAR	471801	T1150	MOPAR	472354	T1191	MUSAS	224820	T1258	MOPAR	473016
T1078	MUSAS	1959	T1150	MUSAS	223540	T1192	MUSAS	223801	T1258	MUSAS	470460
T1079	MUSAS	1959	T11501317	CHRY	370009A	T1193	MOPAR	42763	T126	MOPAR	5M89
T1080	MUSAS	224820	T11501317	CHRY	380009A	T1193	MUSAS	223253	T1260	MUSAS	221510
T10814S	TROS	471344	T1152	MOPAR	472354	T11936	COC	5872S	T1261	MOPAR	473225
T1083	MOPAR	471808	T1152	MOPAR	50395S	T1194	MOPAR	473215	T1261	MUSAS	710450
T1083	MUSAS	224820	T1153	MOPAR	40395	T11943	COC	473226	T1262	MUSAS	223235
T1084	MOPAR	471818	T1153	MOPAR	40395S	T1195	MUSAS	223010	T1264	MUSAS	227045
T1086	MUSAS	710649	T1155	MOPAR	5872S	T1196	MUSAS	710806	T1266	MUSAS	228013
T1088	MUSAS	1948	T1155	MUSAS	710319	T11961	COC	415449	T1267	MUSAS	229010
T1089	MUSAS	1955	T1156	MUSAS	2025	T11961	COC	455147	T1268	MOPAR	470062
T1092	MOPAR	470806	T1157	MOPAR	472258	T1197	MUSAS	225410	T1268	MOPAR	474264
T1095	MOPAR	8429S	T1157	MUSAS	1177	T1201	MOPAR	43089S	T1270	MUSAS	710765
T1095	MUSAS	226285	T1158	MOPAR	472258	T1201	MUSAS	226610	T1271	MOPAR	473226
T1100	MOPAR	470050	T1162	MOPAR	470403	T1203	MOPAR	9568	T1271	MUSAS	710138
T1102	MOPAR	473424	T1162	MOPAR	470774	T1203	MUSAS	1177	T1272	MOPAR	473437
T1103	MUSAS	227550	T1162	MUSAS	224872	T1204	MOPAR	473215	T1272	MUSAS	710109
T1107	MOPAR	471193N	T1165	MOPAR	470403	T1204	MUSAS	710319	T1274	MUSAS	710144
T1108	MOPAR	471193N	T1165	MOPAR	470774	T1205	MUSAS	5696	T1275	MUSAS	710173
T1109	MOPAR	6370N	T11656	COC	450115	T1206	MUSAS	1941	T1276	MUSAS	710343
T1110	MOPAR	473423	T11656	COC	473467	T1208	MUSAS	1928	T1277	MUSAS	225040
T1113	MOPAR	472826	T1166	MOPAR	470774	T1209	MOPAR	6241S	T1280	MUSAS	228009
T1115	MUSAS	1956	T1166	MUSAS	5700	T1210	MOPAR	470950	T1281	MOPAR	473438
T1116	MOPAR	472826	T1167	MUSAS	224210	T1210	MOPAR	6241S	T1282	MOPAR	473439
T1117	MOPAR	473421	T1168	MOPAR	6760S	T1210	MUSAS	223801	T1283	MOPAR	8597S
T1117	MUSAS	1176	T1168	MUSAS	5686	T1211	MOPAR	470950	T1283	MUSAS	221820
T1118	MOPAR	473211	T1169	MOPAR	51322	T1211	MOPAR	6241S	T1285	MUSAS	710525
T1119	MOPAR	473211	T1169	MUSAS	1180	T1212	MUSAS	229010	T1286	MOPAR	474276
T1120	MOPAR	473212	T1170	MOPAR	472287	T1213	MOPAR	471276	T1286	MUSAS	710142
T1123	MOPAR	40769S	T1171	MUSAS	223842	T1213	MUSAS	2025	T1287	MUSAS	710784
T1125	MOPAR	473213	T1172	MOPAR	472287	T1220	MOPAR	450444	T1288	MOPAR	40382
T1126	MOPAR	473213	T1172	MUSAS	227045	T1220	MOPAR	471835	T1289	MOPAR	41257
T11275S	TROS	415304	T11721	COC	5M403	T1220	MUSAS	5694	T1290	MOPAR	240319
T11275S	TROS	476470	T1173	MOPAR	472287	T1221	MUSAS	5694	T1291	MOPAR	481163
T1128	MUSAS	4359V	T1173	MUSAS	1987	T1223	MOPAR	5458	T1292	MOPAR	240319
T1129	MUSAS	228010	T1174	MOPAR	471192	T1225	MOPAR	472843	T12926	CASE	204008
T113	MOPAR	5MR71	T1174	MUSAS	320603	T1228	MOPAR	450776	T1293	MOPAR	6759S
T1130	MUSAS	223605	T1175	MUSAS	710110	T1228	MUSAS	3771	T1293	MUSAS	710187
T1132	MUSAS	225040	T1176	MOPAR	471192	T1229	MOPAR	450456	T1294	MOPAR	6545
T1133	MOPAR	450147	T1176	MUSAS	710109	T1231	MOPAR	450463	T1294	MUSAS	710526
T1134	MOPAR	484054	T1178	MOPAR	471192	T1231	MUSAS	226150	T1295	MOPAR	7537S

INTERCHANGE SECTION

COMPETITIVE INTERCHANGES



Mfr No.	Mfr.	National	Mfr No.	Mfr.	National	Mfr No.	Mfr.	National	Mfr No.	Mfr.	National
T1296	MOPAR	480630	T1337	MOPAR	470059	T1392	MOPAR	470059	T1468	MOPAR	470358
T1297	MUSAS	710615	T1337	MOPAR	470380	T1392	MOPAR	470380	T1468	MOPAR	473231
T1298	MUSAS	223800	T1337	MUSAS	710574	T1393	MUSAS	224026	T1469	MOPAR	473231
T1299	MOPAR	473227	T1338	MOPAR	9613S	T1394	MUSAS	710736	T1472	MOPAR	471419
T1300	MOPAR	473227	T1339	MUSAS	710114	T1397	MUSAS	710139	T1472	MOPAR	473367
T1300	MUSAS	710436	T1340	MUSAS	710141	T1398	MUSAS	471950	T14720	CASE	200110
T1301	MUSAS	224020	T1342	MUSAS	229010	T1399	MOPAR	8610	T1475	MOPAR	471419
T1303	MUSAS	712551	T1344	MOPAR	7886S	T140	GERL	415991	T1475	MOPAR	473367
T1304	MUSAS	710115	T1344	MUSAS	710644	T140	GERL	455146	T1476	MOPAR	450066
T1305	MOPAR	6312	T1345	MOPAR	471820	T140009	TROS	240009	T1476	MOPAR	473367
T1305	MUSAS	710112	T1346	MOPAR	7886S	T140009S	TROS	340009S	T1478	MOPAR	471829
T1306	MOPAR	50468	T1347	MOPAR	471344	T1402	MOPAR	7994S	T1480	MOPAR	471829
T1306	MUSAS	710112	T1348	MOPAR	471344	T1403	MOPAR	340927	T1483	MOPAR	450066
T1307	MOPAR	331228H	T1349	MOPAR	471344	T140364	TROS	350364	T1483	MOPAR	473367
T1308	MOPAR	470548	T1349	MUSAS	710554	T1404	MOPAR	473517	T1487	MOPAR	473010
T1308	MOPAR	470625	T1349595	AMC	225020	T1405	MOPAR	472213	T1488	MOPAR	473010
T1309	MOPAR	470548	T1349596	AMC	229005	T140629	TROS	340469	T1493	MOPAR	450194
T1309	MOPAR	470625	T1349626	CHRYS	1172	T140771	TROS	340771	T1493	MOPAR	473010
T1311	MOPAR	470625	T1350	MOPAR	471344	T1408	MOPAR	40438S	T1494	MOPAR	6283S
T1312	MOPAR	470625	T13501317	CHRYS	370023A	T1409	MOPAR	472299	T1497	MOPAR	473232
T1314	MUSAS	223801	T13501317	CHRYS	380023A	T1409	MUSAS	710143	T15013S	TROS	415013N
T1315	MUSAS	223800	T1352	MOPAR	473228	T1410	MOPAR	450666	T15013S	TROS	415995V
T1316	MOPAR	470625	T1352	MOPAR	51098	T1410	MUSAS	4904	T1502	MOPAR	473232
T1316	MUSAS	710615	T1353	MUSAS	710465	T1411	MOPAR	450666	T1503	MOPAR	450069
T1317	MOPAR	340136	T1354	MOPAR	473228	T1411	MUSAS	710707	T1503	MOPAR	473232
T1318	MOPAR	470548	T1355	MOPAR	473228	T1412	MOPAR	471821	T1504	MOPAR	40568S
T1318	MOPAR	470625	T1355	MOPAR	51098	T1412	MUSAS	710731	T1505	MOPAR	481864
T1318	MUSAS	1987	T1356	MOPAR	473228	T1413	MOPAR	470064	T1509	MOPAR	40286
T1319	MOPAR	40468	T1356	MUSAS	710189	T1413	MOPAR	471821	T15095S	TROS	416271
T1319	MUSAS	710715	T1357	MOPAR	473228	T1413	MUSAS	710732	T1510	MOPAR	474274
T1320	MUSAS	710716	T1357	MOPAR	481837	T1414	MOPAR	8160S	T1511	MOPAR	450275
T1321	MOPAR	203013	T1358	MOPAR	473228	T1415	MOPAR	471827	T15149	TROS	417343
T1321	MUSAS	223830	T1360	MUSAS	710823	T1417	MOPAR	8160S	T1515	MOPAR	450078
T1322	MOPAR	204013	T1362	MOPAR	473228	T1418	MOPAR	8160S	T1515	MOPAR	473444
T1323	MOPAR	7692S	T1363	MUSAS	710733	T1423	MOPAR	450185	T1517	MOPAR	450415
T1323	MUSAS	710553	T1366	MOPAR	450067	T1423	MOPAR	473229	T15177S	TROS	415379
T1324	MOPAR	470059	T1366	MOPAR	473228	T1424	MOPAR	200640	T15192S	TROS	415192N
T1324	MOPAR	470380	T1366	MUSAS	710112	T1427	MOPAR	450143	T1522	MOPAR	450467
T1324	MUSAS	710676	T1367	MOPAR	410190	T1429	MOPAR	470682	T1528	MOPAR	450260
T1325	MUSAS	710704	T1367	MUSAS	710711	T1430	MOPAR	6336S	T15281S	TROS	415281N
T1326	MUSAS	2025	T1370	MOPAR	9613S	T1431	MOPAR	471316	T1530	MOPAR	7457N
T1327	MOPAR	410059	T1371	MOPAR	451857	T1434	MOPAR	5796	T1531	MOPAR	7457N
T1327	MOPAR	470380	T1373	MOPAR	470487N	T1435	MOPAR	450803	T1533	MOPAR	450073
T1327	MUSAS	224660	T1374	MOPAR	450984	T1437	MOPAR	473441	T15379S	TROS	415379
T1328	MOPAR	470380	T1376	MOPAR	473440	T1438	MOPAR	450273	T1538	MOPAR	353141
T1328	MUSAS	710702	T1378	MUSAS	710419	T1443	MOPAR	473442	T1540	MOPAR	203008
T1329	MUSAS	710703	T1379	MOPAR	470077	T1445	MOPAR	5778	T1541	MOPAR	204008
T1330	MUSAS	710689	T1379	MOPAR	474281	T1446	MOPAR	480581	T1542	MOPAR	7022S
T13305	COC	240414	T1379	MUSAS	710697	T1450	MOPAR	450065	T1550	MOPAR	480479H
T13306	COC	240414	T1380	MUSAS	710595	T145035	TROS	345035	T1551	MOPAR	473445
T13306	WHITE	240414	T1381	MOPAR	450523	T1451	MOPAR	482253	T1553	MOPAR	473234
T1331	MOPAR	470380	T1381	MUSAS	710596	T1452	MOPAR	451469	T1555	MOPAR	7300S
T1331	MUSAS	223830	T1382	MOPAR	450326	T1453	MOPAR	450274	T1558	MOPAR	450154
T1333	MUSAS	710570	T1382	MUSAS	710713	T1455	MOPAR	8477S	T1558	MOPAR	473234
T1334	MOPAR	410059	T1384	MUSAS	710639	T145637	TROS	45637S	T1560	MOPAR	473234
T1334	MOPAR	470380	T1388	MOPAR	473228	T1458	MOPAR	205017	T1564	MOPAR	473235
T1334	MUSAS	710571	T1388	MOPAR	51098	T1459	MOPAR	473231	T1566	MOPAR	473235
T1335	MOPAR	40059S	T1389	MOPAR	8610	T1460	MOPAR	204017	T1568	MOPAR	440265
T1335	MUSAS	710456	T1391	MOPAR	452222	T1465	MOPAR	473231	T1570	MOPAR	7381S
T1336	MUSAS	710635	T1391	MUSAS	223235	T1466	MOPAR	473231	T1573	MOPAR	470074

INTERCHANGE SECTION

COMPETITIVE INTERCHANGES

Mfr No.	Mfr.	National	Mfr No.	Mfr.	National	Mfr No.	Mfr.	National	Mfr No.	Mfr.	National
T1573	MOPAR	474265	T1688	MOPAR	470334	T1793	MOPAR	40071S	T1889	MOPAR	471883
T1574	MOPAR	450765	T1688	MOPAR	50289	T1794	MOPAR	472439	T1893	MOPAR	470543
T1575	MOPAR	7038SA	T1695	MOPAR	450291	T1795	MOPAR	331227H	T1893	MOPAR	474272
T1578	MOPAR	473236	T1695	MOPAR	471141	T1798	MOPAR	6985	T1895	MOPAR	331107N
T1583	MOPAR	8516N	T1696	MOPAR	450291	T1801	MOPAR	471868	T1897	MOPAR	5865
T1585	MOPAR	470596	T1696	MOPAR	471141	T1807	MOPAR	472572	T1901	MOPAR	40389S
T1587	MOPAR	473446	T1697	MOPAR	450291	T1810	MOPAR	450117	T1902	MOPAR	450389
T15899S	TROS	415899N	T1697	MOPAR	471141	T1810	MOPAR	472572	T1902	MOPAR	472492
T15899S	TROS	416624N	T1699	MOPAR	6949S	T1811	MOPAR	450117	T1905	MOPAR	331301N
T1592	MOPAR	470086	T170	MOPAR	5M289	T1811	MOPAR	472572	T1906	MOPAR	472924
T15939	COC	6835S	T1700	MOPAR	473448	T1812	MOPAR	6712NA	T1907	MOPAR	472924
T1595	MOPAR	8121S	T1704	MOPAR	473448	T1813	MOPAR	473179	T1908	MOPAR	6163S
T1596	MOPAR	6840S	T1706	MOPAR	471984	T1814	MOPAR	6712NA	T1912	MOPAR	450083
T1598	MOPAR	50327	T1707	MOPAR	473313	T1816	MOPAR	6712NA	T1912	MOPAR	472924
T1600	MOPAR	450068	T171	MOPAR	5M293	T1817	MOPAR	6712NA	T1914	MOPAR	472082
T1602	MOPAR	5836	T1710	MOPAR	6818	T1819	MOPAR	6460S	T1915	MOPAR	472082
T16038Z	WITTE	470548	T1714	MOPAR	470088	T1820	MOPAR	414045	T1920	MOPAR	470530
T16038Z	WITTE	470625	T1716	MOPAR	210945	T1822	MOPAR	414045	T1924	MOPAR	473460
T1606	MOPAR	50081	T1717	MOPAR	455536	T1827	MOPAR	473238	T1930	MOPAR	472394
T1613	MOPAR	8705S	T1725	MOPAR	321460	T1830	MOPAR	450082	T1931	MOPAR	472394
T1614	MOPAR	8460N	T1727	MOPAR	7607	T1830	MOPAR	473238	T1932	MOPAR	473461
T1615	MOPAR	450400	T1728	MOPAR	50266	T1832	MOPAR	473238	T1934	MOPAR	471391
T1620	MOPAR	7486S	T1730	MOPAR	450269	T1834	MOPAR	6064	T1935	MOPAR	471391
T1621	MOPAR	473237	T1731	MOPAR	6781	T1835	MOPAR	5126	T194	MOPAR	5M403
T1622	MOPAR	473237	T1732	MOPAR	450285	T1838	MOPAR	450084	T1940	MOPAR	450094
T1626	MOPAR	470351	T1738	MOPAR	451817	T1839	MOPAR	203034	T1940	MOPAR	473462
T1627	MOPAR	471526	T1740	MOPAR	203006	T1840	MOPAR	450084	T1945	MOPAR	417474
T16377	HARN	416888	T1741	MOPAR	44053	T1842	MOPAR	205044	T1948	MOPAR	7751H
T16377	HARN	455200	T1744	MOPAR	8181NA	T1844	MOPAR	410085	T1949	MOPAR	450472
T1641	MOPAR	450494	T1745	MOPAR	472070	T1844	MOPAR	470530	T1951	MOPAR	450911N
T1641	MOPAR	472164	T1749	MOPAR	7600S	T1845	MOPAR	410085	T1954	MOPAR	450474
T1643	MOPAR	472164	T1750	MOPAR	450118	T1845	MOPAR	470530	T1956	MOPAR	40370S
T1644	MOPAR	472164	T1750	MOPAR	473449	T1847	MOPAR	410085	T1958	MOPAR	450111
T1645	MOPAR	472164	T1751	MOPAR	480281	T1847	MOPAR	470530	T19580	JOHND	340835
T1646	MOPAR	7834	T1753	MOPAR	203006	T1848	MOPAR	410085	T1961	MOPAR	352541
T1647	MOPAR	40494S	T1755	MOPAR	473450	T1848	MOPAR	470530	T1968	MOPAR	470409
T1648	MOPAR	472164	T1756	MOPAR	473450	T1849	MOPAR	450085	T1970	MOPAR	6815
T1649	MOPAR	451147H	T1757	MOPAR	5070	T1849	MOPAR	470530	T1971	MOPAR	471195
T1650	MOPAR	450352	T1758	MOPAR	7044NA	T1850	MOPAR	472397	T1971	MOPAR	481195
T1650	MOPAR	472164	T1760	MOPAR	450090	T1851	MOPAR	410085	T1972	MOPAR	472319
T1652	MOPAR	205015	T1762	MOPAR	6930	T1851	MOPAR	470530	T1975	MOPAR	471869
T1653	MOPAR	450361	T1764	MOPAR	291295	T1853	MOPAR	40301S	T1975	MOPAR	473459
T1653	MOPAR	472193	T1765	MOPAR	6960	T1854	MOPAR	450301	T19761613	HYST	200861
T1656	MOPAR	472185	T1766	MOPAR	473451	T1854	MOPAR	472397	T19761614	HYST	JV933
T1657	MOPAR	472185	T1771	MOPAR	473452	T1860	MOPAR	473463	T1977	MOPAR	6988H
T1660	MOPAR	472185	T1772	MOPAR	470331N	T1862	MOPAR	5113	T1978	MOPAR	471869
T1661	MOPAR	450070	T1774	MOPAR	473453	T1864	MOPAR	473242	T1978	MOPAR	473459
T1661	MOPAR	472185	T1776	MOPAR	332062	T1868	MOPAR	473235	T19802	JOHND	473474
T1663	MOPAR	470334	T1777	MOPAR	6988H	T1870	MOPAR	473464	T19802T	JOHND	473474
T1666	MOPAR	450076	T1778	MOPAR	7934S	T18708	MOPAR	5126	T1982	MOPAR	473241
T1666	MOPAR	470334	T1781	MOPAR	5458	T1872	MOPAR	450095	T1983	MOPAR	473241
T1670	MOPAR	472179	T1782	MOPAR	5458	T1872	MOPAR	473464	T1987	MOPAR	472144
T1674	MOPAR	410183N	T1783	MOPAR	350823	T1873	MOPAR	412027	T1990	MOPAR	472144
T1675	MOPAR	450183	T1783	MOPAR	473454	T1875	MOPAR	8139	T1992	MOPAR	472144
T1675	MOPAR	472179	T1784	MOPAR	340823	T1880	MOPAR	410102	T19922	MOPAR	472082
T1680	MOPAR	5827	T1785	MOPAR	2692	T1882	MOPAR	40401	T1997	MOPAR	6988H
T1682	MOPAR	473447	T1787	MOPAR	350936	T1884	MOPAR	9015S	T1998	MOPAR	9150S
T1683	MOPAR	200354	T1789	MOPAR	472439	T1885	MOPAR	471424	T2	MOPAR	5414
T1686	MOPAR	204002	T1790	MOPAR	472439	T1886	MOPAR	40410S	T200	BUTBN	471735
T1687	MOPAR	200600	T1791	MOPAR	472439	T1889	MOPAR	471870	T2002	MOPAR	450298

INTERCHANGE SECTION

COMPETITIVE INTERCHANGES



Mfr No.	Mfr.	National	Mfr No.	Mfr.	National	Mfr No.	Mfr.	National	Mfr No.	Mfr.	National
T2002	MOPAR	473239	T2128	MOPAR	472015	T2222	MOPAR	450737	T2326	MOPAR	40101S
T20036	CASE	453279	T2130	MOPAR	410308	T2223	MOPAR	200763	T2328	MOPAR	412119
T20076S	TROS	470334	T2130	MOPAR	450308	T2226	MOPAR	472636	T2328	MOPAR	450101
T20081	CASE	204035	T2131	MOPAR	410308	T22260	JOHND	471267	T2329	MOPAR	413247
T20120	TROS	471224	T2131	MOPAR	450308	T2228	MOPAR	472636	T2329	MOPAR	450350
T2014	MOPAR	6808N	T2132	MOPAR	410308	T2229	MOPAR	410316	T2332	MOPAR	410987
T2017	MOPAR	473458	T2134	MOPAR	410312N	T2229	MOPAR	472636	T2333	MOPAR	410987
T2019	MOPAR	451078	T2136	MOPAR	472016	T2232	MOPAR	40316S	T2333	MOPAR	450103
T2020	MOPAR	7216	T2140	MOPAR	410312N	T2233	MOPAR	410316	T2335	MOPAR	410987
T2021	MOPAR	410524	T2141	MOPAR	410312N	T2233	MOPAR	472636	T2335	MOPAR	450686
T20223	JOHND	343101	T2144	MOPAR	39302	T2234	MOPAR	450316	T2337	MOPAR	416271
T202964	CUMMI	471795	T2149	MOPAR	450121	T2234	MOPAR	472636	T2339	MOPAR	416271
T2033	MOPAR	5573	T2149	MOPAR	472409	T2236	MOPAR	44052	T2341	MOPAR	416271
T2034	MOPAR	5573	T2152	MOPAR	473243	T2238	MOPAR	411253	T2342	MOPAR	416271
T2042	MOPAR	455253	T2158	MOPAR	413469	T2242	MOPAR	411253	T2343	MOPAR	412861
T20425	MOPAR	3087	T2161	MOPAR	415349	T2242	MOPAR	450099	T2345	MOPAR	415857
T2048	MOPAR	55524	T2165	MOPAR	450621	T2246	MOPAR	412920	T2349	MOPAR	410825
T205006	TROS	203006	T2169	MOPAR	450489	T2248	MOPAR	412920	T2350	MOPAR	475380N
T205008	TROS	205017	T2169	MOPAR	473244	T2248	MOPAR	450132	T235070	TROS	416865
T205017	TROS	204017	T217	MOPAR	5M466	T2250	MOPAR	41075S	T235086	TROS	415086N
T2063	MOPAR	5877	T2171	MOPAR	472234	T225003	TROS	415003	T235086	TROS	417487
T2065	MOPAR	451948	T2173	MOPAR	472018	T225003	TROS	415458	T235095	TROS	416271
T2066	MOPAR	451948	T2175	MOPAR	8974S	T225086	TROS	415086N	T2352	MOPAR	417480
T2070	MOPAR	473466	T2176	MOPAR	473471	T225086	TROS	417487	T2352	MOPAR	455860
T2071	MOPAR	472012	T2177	MOPAR	472020	T2251	MOPAR	455136	T235315	TROS	415984
T2073	MOPAR	6954S	T2180	MOPAR	470354	T225146	TROS	415146	T235354	TROS	416404
T2074	MOPAR	450307	T2181	MOPAR	6636S	T225146	TROS	415991	T235498	TROS	415498
T2075	MOPAR	450311	T2182	MOPAR	6186	T2256	MOPAR	411376	T2358	MOPAR	5487
T2076	MOPAR	5756	T2185	MOPAR	473245	T2256	MOPAR	455093	T2359	MOPAR	471887
T2077	MOPAR	200110	T2188	MOPAR	473245	T2258	MOPAR	3095	T235949	TROS	35949N
T2080	MOPAR	416738	T219	BUC-E	416892	T2259	MOPAR	415234	T2360	MOPAR	412040
T2080	MOPAR	450096	T2190	MOPAR	412943	T2263	MOPAR	415259	T2361	MOPAR	412040
T2081	MOPAR	416738	T2194	MOPAR	3103	T2266	MOPAR	55337	T2363	MOPAR	411500
T2087	MOPAR	450313	T2195	MOPAR	415350	T2267	MOPAR	415254	T2364	MOPAR	413478
T2092	MOPAR	41013S	T2197	MOPAR	472234	T2275	MOPAR	205035	T2365	MOPAR	450104
T2095	MOPAR	6590S	T2201	MOPAR	471341	T2276	MOPAR	493291	T2367	MOPAR	411245
T2097	MOPAR	8243	T220120	TROS	471224	T2282	MOPAR	472150	T2367	MOPAR	455096
T2099	MOPAR	40973S	T2202	MOPAR	450441	T2284	MOPAR	411394	T2370	MOPAR	417073
T2101	MOPAR	6090S	T2202	MOPAR	471341	T2284	MOPAR	450317	T23709	CASE	41461S
T2103	MOPAR	5589	T220301	TROS	472397	T2286	MOPAR	5924	T2371	MOPAR	3210
T2104	MOPAR	5589	T2206	MOPAR	471272	T2288	MOPAR	410694	T23755	MOPAR	410987
T2105	MOPAR	450867	T22069	JOHND	471192	T2289	MOPAR	450133	T23755	MOPAR	450103
T2105	MOPAR	470898	T2207	MOPAR	410520	T2292	MOPAR	416444	T2376	MOPAR	6575S
T2106	MOPAR	450867	T2207	MOPAR	471272	T2296	MOPAR	416444	T2377	MOPAR	40555
T2106	MOPAR	470898	T2209	MOPAR	410520	T2299	MOPAR	455321	T2377	MOPAR	40555S
T2108	MOPAR	470898	T2209	MOPAR	471272	T2306	MOPAR	470764	T2380	MOPAR	40337S
T2109	MOPAR	470898	T2210	MOPAR	410520	T2307	MOPAR	41026S	T2381	MOPAR	472029
T2110	MOPAR	40566S	T2210	MOPAR	471272	T230737	TROS	410737	T23839	MOPAR	410825
T2111	MOPAR	6879H	T22101	JOHND	240733	T2308	MOPAR	473474	T2384	MOPAR	471271
T2112	MOPAR	450365	T22101T	JOHND	240733	T2309	MOPAR	470565	T23844	MOPAR	417480
T2112	MOPAR	470898	T2211	MOPAR	40520S	T2310	MOPAR	470565	T23844	MOPAR	455860
T2113	MOPAR	6626S	T22110A	BORGW	472572	T2311	MOPAR	470565	T2385	MOPAR	471271
T2115	MOPAR	6879H	T2212	MOPAR	473473	T2312	MOPAR	470565	T2386	MOPAR	410519
T2117	MOPAR	8650S	T2214	MOPAR	473473	T2314	MOPAR	473475	T2386	MOPAR	471271
T2119	MOPAR	450115	T2216	MOPAR	7937N	T2316	MOPAR	413246N	T2387	MOPAR	442380
T2119	MOPAR	473467	T2217	MOPAR	473473	T2318	MOPAR	413246	T2389	MOPAR	450519
T2123	MOPAR	472015	T2218	MOPAR	471138	T2318	MOPAR	413246N	T2389	MOPAR	471271
T2124	MOPAR	472015	T2220	MOPAR	410737	T232	MOPAR	370002A	T2390	MOPAR	450519
T2126	MOPAR	8430S	T2221	MOPAR	410737	T2321	MOPAR	410101N	T2390	MOPAR	471271
T2127	MOPAR	472015	T2222	MOPAR	410737	T2324	MOPAR	410101N	T23902	JOHND	470680

INTERCHANGE SECTION

COMPETITIVE INTERCHANGES

Mfr No.	Mfr.	National	Mfr No.	Mfr.	National	Mfr No.	Mfr.	National	Mfr No.	Mfr.	National
T23902	JOHND	471570	T2485	MOPAR	415003	T2570	MOPAR	416706	T2667	MOPAR	415013
T23902T	JOHND	470680	T2485	MOPAR	415458	T2574	MOPAR	476283N	T2667	MOPAR	415995
T23902T	JOHND	471570	T2488	MOPAR	415458	T2575	MOPAR	416282	T2669	MOPAR	45013S
T2391	MOPAR	410519	T2489	MOPAR	475003N	T2580	MOPAR	455005	T266D	MC-NO	9613S
T2391	MOPAR	471271	T2492	MOPAR	475003N	T2581	MOPAR	417485	T2673	MOPAR	417351
T2392	MOPAR	6785	T2493	MOPAR	475003N	T2583	MOPAR	475384	T2673	MOPAR	455154
T2395	MOPAR	410496	T2498	MOPAR	417343	T2586	MOPAR	2081	T2676	MOPAR	417487
T2396	MOPAR	410496	T2499	MOPAR	417343	T2591	MOPAR	415303	T2676	MOPAR	455014
T2398	MOPAR	470605	T2501	MOPAR	415007	T2593	MOPAR	417344	T2679	MOPAR	415086N
T2401	MOPAR	415147	T25013S	TROS	415013	T2595	MOPAR	417344	T2679	MOPAR	417487
T2401	MOPAR	415449	T25013S	TROS	415995	T2596	MOPAR	417344	T2682	MOPAR	417488
T240141	TROS	350954	T25016S	TROS	416288	T2597	MOPAR	455006N	T2684	MOPAR	415088
T240141	TROS	470954	T250203	TROS	481443	T2599	MOPAR	417344	T2684	MOPAR	455088
T2402	MOPAR	415449	T2503	MOPAR	417082	T260	MOPAR	5MR1008	T2686	MOPAR	455019
T2403	MOPAR	415449	T25071	MOPAR	416273	T2600	MOPAR	417344	T269	MOPAR	5MR1300
T2407	MOPAR	415147	T25072	MOPAR	416273	T2600	MOPAR	455006	T2695	MOPAR	455015
T2407	MOPAR	415449	T250H	MC-NO	7038SA	T260024	HYST	471344	T2701	MOPAR	45825S
T240791	TROS	340009S	T2510	MOPAR	7780N	T260025	HYST	473230	T2703	MOPAR	416404
T2409	MOPAR	415147	T251076	TROS	471076	T2607	MOPAR	417158	T2704	MOPAR	416404
T2409	MOPAR	415449	T2512	MOPAR	455151	T2609	MOPAR	417158	T2705	MOPAR	416404
T2410	MOPAR	415147	T25147S	TROS	415147	T2609	MOPAR	455355	T2709	MOPAR	5578
T2410	MOPAR	415449	T25147S	TROS	415449	T261	MOPAR	5MR1009	T270F	MC-NO	331107N
T2411	MOPAR	415449	T2518	MOPAR	455151	T2610	MOPAR	416921	T2715	MOPAR	416011
T2411	MOPAR	455147	T2520	MOPAR	455008	T2610	MOPAR	455011	T2715	MOPAR	417621
T2412	MOPAR	415449	T2522	MOPAR	455008	T2611	MOPAR	416921	T2717	MOPAR	8976S
T2412	MOPAR	455147	T2527	MOPAR	480491	T2612	MOPAR	416921	T271F	MC-NO	7692S
T2413	MOPAR	415449	T2528	MOPAR	416664	T2613	MOPAR	416921	T2720	MOPAR	415016N
T2415	MOPAR	415001	T2528	MOPAR	455364	T2614	MOPAR	416921	T2722	MOPAR	416288
T2417	MOPAR	415001	T2529	MOPAR	416664	T2617	MOPAR	417134	T2725	MOPAR	417171
T2419	MOPAR	415001	T2530	MOPAR	416664	T2619	MOPAR	455310	T272F	MC-NO	7300S
T2420	MOPAR	415001	T2531	MOPAR	45827S	T2621	MOPAR	455144	T2731	MOPAR	417172
T2420	MOPAR	455001	T2533	MOPAR	417484N	T2624	MOPAR	5403	T2734	MOPAR	5751
T2422	MOPAR	416273	T2533	MOPAR	455322	T2628	MOPAR	416956	T2736	MOPAR	416297
T2425	MOPAR	7581H	T2534	MOPAR	417484N	T2629	MOPAR	417159	T274	BUTBN	473424
T2426	MOPAR	455079	T2534	MOPAR	475322N	T2630	MOPAR	417159	T2744	MOPAR	415021
T2427	MOPAR	415082	T2537	MOPAR	415984	T2631	MOPAR	35949N	T2746	MOPAR	415394
T2428	MOPAR	455655	T254	BUTBN	471795	T2633	MOPAR	475012N	T27467	MOPAR	415960
T2436	MOPAR	5401	T2542	MOPAR	415004	T2638	MOPAR	475012N	T274F	MC-NO	7929S
T2439	MOPAR	413479	T2542	MOPAR	417316	T2640	MOPAR	417486	T2752	MOPAR	6649
T2440	MOPAR	415302	T2544	MOPAR	415004	T2643	MOPAR	455356	T2753	MOPAR	5313
T2445	MOPAR	415302	T2544	MOPAR	417316	T2647	MOPAR	415281N	T2759	MOPAR	456105
T2446	MOPAR	415988	T2547	MOPAR	46997S	T2650	MOPAR	417349	T2764	MOPAR	417490
T2453	MOPAR	417481	T2548	MOPAR	417316	T2651	MOPAR	415281N	T2766	MOPAR	455336
T2455	MOPAR	455280	T2549	MOPAR	417316	T2652	MOPAR	417350	T2767	MOPAR	6358
T2463	MOPAR	411330N	T2549	MOPAR	455004	T2652	MOPAR	455479	T2769	MOPAR	455022
T2465	MOPAR	451143	T2553	MOPAR	415960	T2654	MOPAR	417350	T2770	MOPAR	55563
T2467	MOPAR	412871	T2553	MOPAR	455009	T2654	MOPAR	455479	T2771	MOPAR	455566
T2467	MOPAR	450329	T2556	MOPAR	415009	T2657	MOPAR	415836	T2774	MOPAR	415304
T2469	MOPAR	412871	T2556	MOPAR	415960	T2657	MOPAR	415995	T2774	MOPAR	476470
T2469	MOPAR	450329	T2560	MOPAR	415960	T2659	MOPAR	415836	T2775	MOPAR	455018
T2471	MOPAR	410708	T2561	MOPAR	415009	T2659	MOPAR	415995	T2775	MOPAR	476470
T2473	MOPAR	410708	T2561	MOPAR	415960	T2660	MOPAR	415836	T2776	MOPAR	476470
T2475	MOPAR	450412	T2563	MOPAR	475009N	T2660	MOPAR	415995	T2778	MOPAR	455018
T2478	MOPAR	415483	T2564	MOPAR	415960	T2661	MOPAR	415995	T2778	MOPAR	476470
T2478	MOPAR	455368	T2564	MOPAR	455009	T2661	MOPAR	455013	T2779	MOPAR	415304
T2479	MOPAR	475368N	T2565	MOPAR	55469	T2662	MOPAR	415995V	T2779	MOPAR	476470
T2481	MOPAR	415483	T2566	MOPAR	415272N	T2664	MOPAR	415013	T277G	MC-NO	6712NA
T2482	MOPAR	417079	T2567	MOPAR	416706	T2664	MOPAR	415995	T27809	CASE	204029
T2483	MOPAR	415003	T2567	MOPAR	455272	T2665	MOPAR	415836	T27809	CASE	204507
T2483	MOPAR	415458	T2569	MOPAR	416706	T2665	MOPAR	415995	T2783	MOPAR	455018

INTERCHANGE SECTION

COMPETITIVE INTERCHANGES



Mfr No.	Mfr. National	Mfr No.	Mfr. National	Mfr No.	Mfr. National	Mfr No.	Mfr. National
T2783	MOPAR 476470	T2888	MOPAR 5965	T2966	MOPAR 415379	T3033	MOPAR 415035
T2784	MOPAR 417181	T28889	CASE 204013	T2967	MOPAR 415379	T3033	MOPAR 455035
T2785	MOPAR 7208S	T289	MOPAR 5460	T2968	MOPAR 415379	T3035	MOPAR 417356
T2787	MOPAR 370018A	T2890	MOPAR 415991	T2968	MOPAR 455379	T3035	MOPAR 455188
T2788	MOPAR 418028	T2892	MOPAR 415146	T2970	MOPAR 417205	T30352	TROS 472164
T2788	MOPAR 455137	T2892	MOPAR 415991	T2972	MOPAR 417205	T3036	MOPAR 417357
T2790	MOPAR 417352	T2893	MOPAR 415146	T2973	MOPAR 415013	T3036	MOPAR 455192
T2790	MOPAR 418028	T2893	MOPAR 415991	T2973	MOPAR 415995	T3037	MOPAR 417357
T2791	MOPAR 417352	T2897	MOPAR 345146	T2976	MOPAR 416339	T3037	MOPAR 455192
T2791	MOPAR 418028	T2898	MOPAR 415991	T2976	MOPAR 455031	T3038	MOPAR 416130
T2796	MOPAR 415137	T2898	MOPAR 455146	T2977	MOPAR 45031S	T3040	MOPAR 415036
T2796	MOPAR 418028	T2900	MOPAR 417196	T2978	MOPAR 415150	T3043	MOPAR 417507
T2799	MOPAR 415137	T2902	MOPAR 415437	T2979	MOPAR 415150	T3043	MOPAR 455513
T2799	MOPAR 418028	T2903	MOPAR 415437	T298	MOPAR 370003A	T3044	MOPAR 417507
T2802	MOPAR 417353	T2904	MOPAR 415437	T2984	MOPAR 8370S	T3044	MOPAR 455513
T2805	MOPAR 416865	T290567	TROS 351267	T2991	MOPAR 455032	T3046	MOPAR 415041
T2806	MOPAR 370018A	T290567	TROS 471267	T2992	MOPAR 455189	T3047	MOPAR 370349A
T2809	MOPAR 415023	T2907	MOPAR 415437	T2994	MOPAR 417210	T3048	MOPAR 417509
T2810	MOPAR 6584S	T2908	MOPAR 415437	T2995	MOPAR 417210	T3049	MOPAR 417223
T2817	MOPAR 5408	T2908	MOPAR 455173	T2996	MOPAR 417210	T3051	MOPAR 455037
T2821	MOPAR 455500	T2909	MOPAR 370001A	T300	MOPAR 370006A	T3052	MOPAR 370009A
T2824	MOPAR 416292	T2911	MOPAR 415027	T3000	MOPAR 417211	T3054	MOPAR 455037
T2826	MOPAR 417491	T2911	MOPAR 455027	T3001	MOPAR 417211	T3058	MOPAR 455134
T2827	MOPAR 415085	T2913	MOPAR 417495	T3002	MOPAR 416345	T306	MOPAR 370009A
T2827	MOPAR 456648	T2914	MOPAR 415559	T3002	MOPAR 455033	T3060	MOPAR 417511
T2829	MOPAR 455024	T2915	MOPAR 6612S	T30028	CASE 204035	T3061	MOPAR 415142
T2831	MOPAR 415442	T292	MOPAR 370002A	T3003	MOPAR 415697	T3064	MOPAR 417512
T2834	MOPAR 412473	T2921	MOPAR 415498	T3003	MOPAR 455547	T3065	MOPAR 415043
T2834	MOPAR 415894	T2922	MOPAR 415498	T30033	MOPAR 417487	T3065057	CHRY S 228010
T2835	MOPAR 412473	T2924	MOPAR 415711	T30033	MOPAR 455086	T3066	MOPAR 455203
T2835	MOPAR 415894	T2928	MOPAR 417497	T3004	MOPAR 417366	T30666	TROS 450666
T2837	MOPAR 412473	T293	MOPAR 370009A	T3005	MOPAR 417366	T3068	MOPAR 455056
T2837	MOPAR 415894	T2930	MOPAR 417498	T3008	MOPAR 456618	T3070	MOPAR 415295
T2840	MOPAR 412473	T2931	MOPAR 55028	T30083	TROS 472924	T3071	MOPAR 455194
T2840	MOPAR 415894	T2935	MOPAR 416047	T301	MOPAR 370024A	T3073	MOPAR 417513
T2842	MOPAR 417191	T2935	MOPAR 416332	T3010	MOPAR 455186	T3074	MOPAR 417514
T2842	MOPAR 455165	T2936	MOPAR 416047	T30101	TROS 410101N	T3077	MOPAR 417516
T28425	MOPAR 2081	T2936	MOPAR 416332	T3011	MOPAR 415034	T3083	MOPAR 455195
T2848	MOPAR 417354	T2939	MOPAR 415937	T3011	MOPAR 455034	T3083	MOPAR 472157
T2850	MOPAR 455249	T2943	MOPAR 55353	T3012	MOPAR 455191	T3084	MOPAR 416556
T2851	MOPAR 415025	T2945	MOPAR 417355	T3013	MOPAR 455191	T3084	MOPAR 472157
T2857	MOPAR 418029	T2945	MOPAR 485497	T3015	MOPAR 415263	T3085	MOPAR 416556
T2857	MOPAR 455499	T2946	MOPAR 417355	T3016	MOPAR 370008A	T3085	MOPAR 472157
T2860	MOPAR 417171	T2946	MOPAR 485497	T3017	MOPAR 417506	T3087079	RENAU 224520
T2861	MOPAR 417492	T2947	MOPAR 417355	T30183	TROS 410183N	T3087143	RENAU 223240
T2862	MOPAR 55419	T2949	MOPAR 415937	T302	MOPAR 370003A	T3087144	RENAU 1992
T286280	HYST 417181	T295	MOPAR 370019A	T3020	MOPAR 415187	T3087157	RENAU 225110
T2866	MOPAR 417493	T2950	MOPAR 416125	T3021	MOPAR 45187S	T3088	MOPAR 415196
T2869	MOPAR 455858	T2952	MOPAR 370011A	T3022	MOPAR 415035	T308D	MC-NO 6712NA
T2871	MOPAR 417494	T2954	MOPAR 370012A	T3026	MOPAR 415035	T3092	MOPAR 416891
T2873	MOPAR 455026	T2955	MOPAR 415832	T3026	MOPAR 415953	T3093	MOPAR 415045
T2878	MOPAR 45525S	T2957	MOPAR 417501	T3028	MOPAR 415035	T3096	MOPAR 416137
T287P	MC-NO 331228H	T295957	TROS 8976S	T3028	MOPAR 455035	T3098	MOPAR 417518
T2883	MOPAR 415899N	T296	MOPAR 370005A	T3029	MOPAR 415035	T3099	MOPAR 415058
T2883	MOPAR 416624N	T2960	MOPAR 55030	T303	MOPAR 370006A	T3100	MOPAR 455197N
T2884	MOPAR 415991	T2961	MOPAR 2218	T3030	MOPAR 455035N	T3101	MOPAR 455197N
T2884	MOPAR 455146	T2962	MOPAR 415379	T30300	TROS 472394	T3104	MOPAR 417520
T2885	MOPAR 415991	T2962	MOPAR 455379	T30303S	TROS 472015	T3106	MOPAR 417238
T2886	MOPAR 415991	T2964	MOPAR 415379	T30316	TROS 410316	T3110	MOPAR 415196
T2886	MOPAR 455146	T2965	MOPAR 415379	T30316	TROS 472636	T3113	MOPAR 415047

INTERCHANGE SECTION

COMPETITIVE INTERCHANGES

Mfr No.	Mfr.	National	Mfr No.	Mfr.	National	Mfr No.	Mfr.	National	Mfr No.	Mfr.	National
T3114	MOPAR	416149	T3234	MOPAR	416865	T3334	MOPAR	JV701	T3488	MOPAR	471224
T3116	MOPAR	370030A	T3236	MOPAR	417278	T3335	MOPAR	416077	T3498	MOPAR	1037
T3117	MOPAR	415060	T3237	MOPAR	417541	T3336	MOPAR	415116	T35003	TROS	415003
T3118	MOPAR	415060	T3238	MOPAR	417542	T3337	MOPAR	415124	T35003	TROS	415458
T3119	MOPAR	370019A	T3239	MOPAR	417543	T3338	MOPAR	455117	T35004	TROS	417316
T3121	MOPAR	417525	T3240	MOPAR	370003A	T3339	MOPAR	415317	T35009	TROS	475009N
T3122	MOPAR	417526	T3241	MOPAR	455290	T3340	MOPAR	415867	T35012	TROS	475012N
T3124	MOPAR	415351	T3242	MOPAR	370006A	T3341	MOPAR	415551	T35012S	TROS	475012N
T3127	MOPAR	327303	T3243	MOPAR	417546	T3342	MOPAR	416102	T35013	TROS	415836
T3128	MOPAR	416888	T3244	MOPAR	417548	T3343	MOPAR	417598	T35013	TROS	415995
T3129	MOPAR	416888	T3245	MOPAR	417262	T3344	MOPAR	455406	T35016S	TROS	415016N
T3131	MOPAR	416888	T3245	MOPAR	455448	T3345	MOPAR	455121	T35018S	TROS	415304
T3131	MOPAR	455200	T3248	MOPAR	415645	T3347	MOPAR	415656	T35018S	TROS	476470
T3132	MOPAR	416888	T3248	MOPAR	455104	T3348	MOPAR	417600	T3507	MOPAR	472164
T3132	MOPAR	455200	T3252	MOPAR	417549	T3349	MOPAR	417601	T35070	TROS	370028A
T3137	MOPAR	416153	T3255	MOPAR	415938	T3350	MOPAR	417602	T350936	TROS	350936
T3139	MOPAR	416892	T3256	MOPAR	415938	T3351	MOPAR	417602	T35095S	TROS	416271
T3142	MOPAR	370022A	T3257	MOPAR	417554	T3352	MOPAR	417602	T35101	TROS	476283N
T3144	MOPAR	416154	T3258	MOPAR	370027A	T3357	MOPAR	415124	T35101S	TROS	476283N
T3146	MOPAR	416070	T3260	MOPAR	417254	T3358	MOPAR	417022	T351071	TROS	351267
T3147	MOPAR	415351	T3265	MOPAR	416107	T335924	TROS	335924N	T351071	TROS	471267
T3148	MOPAR	370021A	T3265	MOPAR	455073	T3361	MOPAR	417603	T35137	TROS	415137
T3151	MOPAR	417533	T3272	MOPAR	370006A	T3363	MOPAR	417604	T35137	TROS	418028
T3152	MOPAR	417534	T3273	MOPAR	8635S	T3364	MOPAR	416394	T35146	TROS	415146
T3155	MOPAR	415371	T3275	MOPAR	417555	T3366	MOPAR	417567	T35146	TROS	415991
T3156	MOPAR	415371	T3276	MOPAR	417556	T3367	MOPAR	415128	T35156	TROS	5578
T3161	MOPAR	416158	T3278	MOPAR	415447	T336819	HYST	472258	T3520	MOPAR	1012N
T3163	MOPAR	415064	T3279	MOPAR	417362	T3369	MOPAR	455129	T3525	MOPAR	471787
T3170	MOPAR	6329S	T3280	MOPAR	416666	T337	MOPAR	350364	T35322	TROS	417484N
T3171	MOPAR	417535	T3284	MOPAR	416476	T3370	MOPAR	55301S	T35322	TROS	475322N
T3174	MOPAR	45637S	T3284	MOPAR	455075	T3371	MOPAR	415090	T3538	MOPAR	1012N
T3176	MOPAR	417536	T3286	MOPAR	416476	T3374	MOPAR	415219	T35380	TROS	475380N
T3177	MOPAR	417537	T3287	MOPAR	455297	T3376	MOPAR	415871	T354106	HYST	455509
T3181	MOPAR	415138	T3292	MOPAR	415072	T3377	MOPAR	415871	T354225	HYST	450352
T3186	MOPAR	415138	T3295	MOPAR	415072	T3378	MOPAR	417606	T354225	HYST	472164
T3187	MOPAR	417538	T3300	MOPAR	455330	T3382	MOPAR	55078S	T3545	MOPAR	224045
T3189	MOPAR	200642	T3301	MOPAR	457874	T3386	MOPAR	417020	T3559	MOPAR	224040
T3191	MOPAR	417247	T3302	MOPAR	455583N	T3387	MOPAR	417570	T3568	MOPAR	226020
T3192	MOPAR	417247	T3305	MOPAR	455480	T3390	MOPAR	415227	T3574	MOPAR	224045
T3193	MOPAR	415066	T3306	MOPAR	417562	T3394	MOPAR	415482	T3581	MOPAR	3103
T3197	MOPAR	6663S	T3310	MOPAR	417563	T3397	MOPAR	415077	T358160	HYST	450066
T3199	MOPAR	455251H	T331107	TROS	331107N	T3398	MOPAR	415076	T358160	HYST	473367
T3200	MOPAR	455251H	T331227	TROS	331227H	T340	MOPAR	350364	T3587	MOPAR	8695S
T3202	MOPAR	416163	T331228	TROS	331228H	T3400	MOPAR	417608	T3588	MOPAR	7022S
T3211	MOPAR	416167	T3313	MOPAR	415294	T340364	TROS	350364	T3589	MOPAR	8704S
T3211	MOPAR	455091	T3313	MOPAR	455294	T34037	CASE	471224	T359	MOPAR	340385
T3212	MOPAR	416167	T331301	TROS	331301N	T3409	MOPAR	1049	T3590	MOPAR	6815
T3212	MOPAR	455091	T3314	MOPAR	416229	T340950	TROS	6241S	T3591	MOPAR	203012
T3214	MOPAR	417267	T3315	MOPAR	415294	T3411	MOPAR	1037	T3592	MOPAR	472409
T3215	MOPAR	417269	T3316	MOPAR	416229	T3413	MOPAR	472299	T360	MOPAR	330385
T3218	MOPAR	370005A	T3318	MOPAR	417298	T3441	MOPAR	472492	T3600	MOPAR	6808N
T3219	MOPAR	370007A	T332	MOPAR	240698	T3446	MOPAR	473238	T3602	MOPAR	471466
T3221	MOPAR	417539	T3320	MOPAR	415327	T3469	MOPAR	470898	T3603	MOPAR	471554
T3222	MOPAR	417273	T3322	MOPAR	417596	T3474	MOPAR	471192	T3604	MOPAR	470390
T3224	MOPAR	415725	T3323	MOPAR	JV753	T3476	MOPAR	416664	T3606	MOPAR	471689
T3226	MOPAR	416865	T3324	MOPAR	455584	T348	MOPAR	50445	T3609	MOPAR	340853
T3226	MOPAR	455070	T3325	MOPAR	416364	T3480	MOPAR	472164	T3613	MOPAR	472299
T323	MOPAR	350435	T3326	MOPAR	417597	T3483	MOPAR	472258	T3614	MOPAR	471419
T3231	MOPAR	416865	T3327	MOPAR	416239	T3485	MOPAR	471195	T3614	MOPAR	473367
T3232	MOPAR	455200N	T3328	MOPAR	416239	T3485	MOPAR	481195	T3616	MOPAR	472185

INTERCHANGE SECTION

COMPETITIVE INTERCHANGES



Mfr No.	Mfr. National	Mfr No.	Mfr. National	Mfr No.	Mfr. National	Mfr No.	Mfr. National
T3618	MOPAR 7186S	T3771	MOPAR 470380	T3891	MOPAR 8773S	T409165	HYST 473475
T3620	MOPAR 472492	T3772	MOPAR 8940S	T3892	MOPAR 7687S	T409268	HYST 451948
T3622	MOPAR 42101S	T3773	MOPAR 473010	T3893	MOPAR 9178S	T41013	TROS 7186S
T3624	MOPAR 472016	T3774	MOPAR 473010	T3894	MOPAR 5113	T410567	TROS 471267
T3625	MOPAR 471272	T3775	MOPAR 450194	T3897	MOPAR 5092	T4133	GERL 470120
T3627	MOPAR 413246N	T3775	MOPAR 473010	T3900	MOPAR 9599S	T4133	GERL 471224
T3627	MOPAR 483246N	T3776	MOPAR 473234	T3902	MOPAR 417507	T414	MOPAR 342805
T3631	MOPAR 8975S	T3777	MOPAR 473234	T3902	MOPAR 455513	T415156	TROS 415156N
T3632	MOPAR 416273	T3779	MOPAR 472185	T3903	MOPAR 3604	T415899	TROS 415899N
T3633	MOPAR 475003N	T37799	CASE 200854	T3904	MOPAR 9161	T415899	TROS 416624N
T3635	MOPAR 415007	T3780	MOPAR 472179	T3905	MOPAR 9569S	T415983	TROS 415983N
T3636	MOPAR 415009	T3781	MOPAR 470605	T3906	MOPAR 473473	T41675	JOHND J1134
T3636	MOPAR 415960	T3782	MOPAR 472492	T3908	MOPAR 9049N	T420	MOPAR 340771
T3639	MOPAR 417344	T3783	MOPAR 472394	T391	MOPAR 472810	T421	MOPAR 471442
T3642	MOPAR 415013N	T3784	MOPAR 472492	T3910	MOPAR 321460	T425	MOPAR 410119
T3642	MOPAR 415995V	T3785	MOPAR 450121	T3911	MOPAR 9406S	T425	MOPAR 471442
T3643	MOPAR 415995	T3785	MOPAR 472409	T3913	MOPAR 472341	T42513	HYST 415003
T3643	MOPAR 455013	T3787	MOPAR 470354	T3914	MOPAR 412119	T42513	HYST 415458
T3644	MOPAR 415156N	T3788	MOPAR 471341	T3915	MOPAR 475095N	T427	MOPAR 471442
T3645	MOPAR 415156N	T3790	MOPAR 472150	T3916	MOPAR 415098N	T428	MOPAR 240119
T3649	MOPAR 476470	T3791	MOPAR 412119	T3919	MOPAR 415991	T429112	HYST 415482
T3650	MOPAR 415437	T3794	MOPAR 417343	T3919	MOPAR 415991N	T42914	HYST 450301
T3651	MOPAR 416047	T3800	MOPAR 417351	T3920	MOPAR 455134	T42914	HYST 472397
T3651	MOPAR 416332	T3803	MOPAR 416047	T3921	MOPAR 455251H	T429216	HYST 415072
T3653	MOPAR 415379	T3803	MOPAR 416332	T3922	MOPAR 8660S	T429247	HYST 416404
T3657	MOPAR 415138	T3805	MOPAR 416557	T3923	MOPAR 8516N	T429250	HYST 417601
T3660	MOPAR 415871	T3806	MOPAR 416556	T39278	CASE 204002	T429251	HYST 415551
T3666	MOPAR 8835S	T3806	MOPAR 472157	T3928	MOPAR 6712NA	T429595	HYST 472150
T3667	MOPAR 411330N	T3808	MOPAR 416892	T3931	MOPAR 5109	T42994	HYST 416865
T367	MOPAR 350156	T3809	MOPAR 416892	T3932	MOPAR 5123	T42994	HYST 455070
T367	MOPAR 473096	T3813	MOPAR 8515N	T3936	MOPAR 5111S	T42995	HYST 352541
T3670	MOPAR 481181	T3814	MOPAR 474278	T39419	JOHND J1129	T432	MOPAR 471526
T3670	MOPAR 481181N	T3814	MOPAR 6859S	T3943	MOPAR 484058	T43331	HYST 415066
T3672	MOPAR 8421S	T3815	MOPAR 8516N	T3944	MOPAR 473234	T435	MOPAR 471526
T3674	MOPAR 475003N	T3816	MOPAR 8121S	T3946	MOPAR 8705S	T438	MOPAR 471472
T3681	MOPAR 410496	T3817	MOPAR 6840S	T3948	MOPAR 9912	T441127	TROS 203006
T3685	MOPAR 473215	T3819	MOPAR 40769S	T3949	MOPAR 2689S	T441130	TROS 441130
T3686	MOPAR 471255	T3821	MOPAR 482163	T3950	MOPAR 6808N	T443	MOPAR 471549
T3706	MOPAR 7208S	T3821	MOPAR 482163N	T3951	MOPAR 9449	T448	MOPAR 471530
T371358	HYST 473435	T3825	MOPAR 8935S	T3952	MOPAR 2043	T44819	HYST 415697
T3718	MOPAR 3103	T3827	MOPAR 470682	T3953	MOPAR 8871	T44819	HYST 455547
T3719	MOPAR 3103	T3828	MOPAR 9449	T3955	MOPAR 4250	T448239	HYST 416888
T372	MOPAR 471103	T3830	MOPAR 2043	T3959	MOPAR 6808N	T448239	HYST 455200
T372	MOPAR 50197S	T3836	MOPAR 472747	T400	MOPAR 6863S	T450055	TROS 473215
T3720	MOPAR 3095	T3839	MOPAR 3945	T40047	CASE 210945	T450061	TROS 470950
T37225	JOHND JV1166	T3859	MOPAR 6988H	T40063	TROS 7886S	T450061	TROS 6241S
T3728	MOPAR 9150S	T3871	MOPAR 475003N	T401	MOPAR 474277	T450076	TROS 450076
T37297	CASE 471870	T3877	MOPAR 416404	T405	MOPAR 240470	T450076	TROS 470334
T37297	CASE 471883	T3878	MOPAR 416404	T40555S	TROS 40555	T451143	TROS 451143
T3761	MOPAR 471472	T3879	MOPAR 480844	T40555S	TROS 40555S	T451147	TROS 451147H
T3762	MOPAR 471264	T3881	MOPAR 416339	T40556	TROS 471821	T458	MOPAR 472705
T3764	MOPAR 471652	T3882	MOPAR 470403	T40629	TROS 340469	T462	MOPAR 472705
T3764	MOPAR 482208	T3882	MOPAR 470774	T407	MOPAR 320457	T463	MOPAR 471281
T3765	MOPAR 471750	T3883	MOPAR 8705S	T40769	TROS 40769S	T465147	HYST 417507
T3767	MOPAR 330663	T3884	MOPAR 7937N	T40787	TROS 340787	T465147	HYST 455513
T3767	MOPAR 472354	T3885	MOPAR 9128S	T409	MOPAR 470004	T465148	HYST 417603
T3768	MOPAR 472258	T3886	MOPAR 471255	T409131	HYST 450867	T46629	HYST 415147
T3768	MOPAR 480570	T3887	MOPAR 470712	T409131	HYST 470898	T46629	HYST 415449
T3769	MOPAR 473225	T3888	MOPAR 470898	T409163	HYST 450121	T469	MOPAR 471535
T3771	MOPAR 410059	T3889	MOPAR 8704S	T409163	HYST 472409	T470441	TROS 471341

INTERCHANGE SECTION

COMPETITIVE INTERCHANGES

Mfr No.	Mfr.	National	Mfr No.	Mfr.	National	Mfr No.	Mfr.	National	Mfr No.	Mfr.	National
T470684	TROS	8160S	T50539	TROS	450539	T55128	TROS	415128	T6094	TROS	410316
T476	MOPAR	471551	T50588	TROS	450588	T55129	TROS	455129	T6094	TROS	472636
T478	MOPAR	471532	T506	MOPAR	240009	T55158	MECH	370066A	T614	MOPAR	471498
T480	MOPAR	473405	T50613	TROS	470120	T55172S	TROS	416047	T619	MOPAR	471684
T480212	HYST	415009	T50613	TROS	471224	T55172S	TROS	416332	T619	MOPAR	471698
T480212	HYST	415960	T50613S	TROS	470120	T55188	TROS	370033A	T62701	TROS	482041N
T480330	TROS	470331N	T50613S	TROS	471224	T55189	TROS	455189	T628	MOPAR	481443
T481193	TROS	471193N	T50628	TROS	473420	T55197	TROS	455197N	T63035	TROS	470351
T481195	TROS	471195	T50634	TROS	472475	T55232	TROS	416153	T631	MOPAR	481568
T481195	TROS	481195	T50639	TROS	450639	T55234	TROS	415234	T63201S	TROS	8477S
T482	MOPAR	471558	T509	MOPAR	471264	T55251	TROS	455251H	T6337S	TROS	473435
T484	MOPAR	471564	T50911S	TROS	450911N	T55251S	TROS	455251H	T634	MOPAR	481644
T485921	TROS	413246N	T50966	TROS	450083	T55356	TROS	455356	T6340S	TROS	5872S
T485921	TROS	483246N	T50966	TROS	472924	T55361	TROS	456865N	T63720	TROS	5095
T486	MOPAR	7399S	T50988	TROS	473474	T55363	TROS	417362	T63961	TROS	472951
T488	MOPAR	7188S	T50991S	TROS	480630	T55371	TROS	370022A	T63961	TROS	474252
T489	MOPAR	7188S	T50991S	TROS	480991	T55371	TROS	380022A	T641	MOPAR	450431
T490	MOPAR	351487	T510	MOPAR	471264	T55380	TROS	410825	T641	MOPAR	471539
T492	MOPAR	340724	T51047S	TROS	471571	T554	MOPAR	470506	T64101S	TROS	8705S
T494	MOPAR	471466	T51073S	TROS	481073	T55452	TROS	417597	T642	MOPAR	471539
T49550	TIMKE	205004	T511	MOPAR	471264	T55476	TROS	455476	T64201S	TROS	8594S
T49569	TIMKE	204002	T51100	TROS	471652	T55498	TROS	415498	T64202S	TROS	8660S
T49569	TMTR	200354	T51100	TROS	482208	T55511	TROS	2081	T643	MOPAR	471231
T498	MOPAR	471466	T51100S	TROS	471652	T55581	TROS	370023A	T64402S	TROS	8610
T500	MOPAR	471466	T51143S	TROS	451143	T55581	TROS	380023A	T64501R	TROS	6712NA
T50000	MERIX	204002	T5126	TROS	416738	T55718	TROS	370019A	T649	MOPAR	450030
T50000	OLIVE	200354	T5126	TROS	450096	T5577	TROS	5095	T649	MOPAR	474253
T50000	ROCKW	204002	T515	MOPAR	471255	T55963S	TROS	2218	T65	MOPAR	5095
T50000	TIMKE	204002	T518	MOPAR	240023	T564	MOPAR	240735	T6508	TROS	472015
T50000	TMTR	200354	T52008X	DOMGA	415379	T567	MOPAR	240816	T6508S	TROS	472015
T50006	TROS	471530	T5203	COC	472439	T568	MOPAR	1049	T65202	TROS	8940S
T50016	TROS	471535	T523	MOPAR	481537	T569	MOPAR	340495	T65240	TROS	8704S
T50017	TROS	473405	T524	MOPAR	471255	T576	MOPAR	470954	T65261	TROS	370036A
T50030	TROS	450030	T526	MOPAR	481073	T576	MOPAR	480954	T65261	TROS	370349A
T50030	TROS	474253	T528	MOPAR	481397	T577	MOPAR	470954	T65261	TROS	380036A
T50041EXA	HARN	415034	T5289	COC	416888	T57707	TIMKE	450765	T65262	TROS	376590A
T50041EXA	HARN	455034	T5289	COC	455200	T578	MOPAR	470954	T65298	TROS	370037A
T50044EX	HARN	415303	T5289	WHITE	416888	T582	MOPAR	470954	T65298	TROS	370338A
T50051EXA	HARN	415034	T533	MOPAR	471529	T583	MOPAR	350954	T653	MOPAR	450588
T50051EXA	HARN	455034	T535	MOPAR	8773S	T583	MOPAR	470954	T65300	GEHL	6590S
T50122	TROS	473437	T5358	COC	471442	T5846	TROS	6064	T65300	OLIVE	6590S
T50188	TROS	450188	T536	MOPAR	471538	T586	MOPAR	7013S	T65300	TIMKE	6590S
T50248	TROS	473436	T541	MOPAR	8773S	T587	MOPAR	6835S	T65340S	TROS	8695S
T50261	TROS	473466	T542	MOPAR	450025	T588	MOPAR	350679	T65360S	TROS	7687S
T50273	TROS	450273	T542	MOPAR	471553	T588	MOPAR	470954	T65501S	TROS	9449
T50275	TROS	450275	T54255	CASE	473239	T589	MOPAR	480821	T6564S	TROS	415147
T50280	TROS	471866	T54429	CASE	204027	T591	MOPAR	471554	T6564S	TROS	415449
T503	MOPAR	240009	T547	MOPAR	471579	T5919S	TROS	204002	T657	MOPAR	471645
T50311	TROS	450311	T55031	MECH	370012A	T593	MOPAR	471554	T660	MOPAR	471686
T50362	TROS	450362	T55049	TROS	416892	T5935	TROS	473463	T662	MOPAR	473412
T50375	TROS	6936S	T55051	TROS	415371	T5961	TROS	370036A	T6638	TROS	370001A
T504	MOPAR	471466	T55052	TROS	415284	T5961	TROS	370349A	T6638	TROS	380001A
T50431	TROS	450431	T55052S	TROS	415284	T5961	TROS	380036A	T6646S	TROS	9613S
T50431	TROS	471539	T55054	TROS	417223	T59760S	TROS	335924N	T6656	TROS	7300S
T50457	TROS	450457	T55060	TROS	370019A	T600	MOPAR	481443	T6656S	TROS	473234
T50485	TROS	411330N	T55062	TROS	370021A	T6027	TROS	471316	T6666397	CHRY	710196
T50487	TROS	470487N	T55064	TROS	370021A	T603	MOPAR	471567	T668	MOPAR	473414
T505	MOPAR	471466	T55075	TROS	416476	T6040	TROS	415899N	T6693S	TROS	470605
T50524	TROS	410524	T55075	TROS	455075	T6040	TROS	416624N	T6696	TROS	417355
T50539	TROS	414268	T55124	TROS	415124	T606	MOPAR	471567	T6711	TROS	205004

INTERCHANGE SECTION

COMPETITIVE INTERCHANGES



Mfr No.	Mfr.	National	Mfr No.	Mfr.	National	Mfr No.	Mfr.	National	Mfr No.	Mfr.	National
T6712S	TROS	6712NA	T7453S	TROS	370021A	T858	MOPAR	9376	T9364	COC	417158
T673	MOPAR	473414	T7457	TROS	7457N	T859	MOPAR	450188	T9364	COC	455355
T6755	TROS	370022A	T746	MOPAR	472951	T85B54	BORGW	5872S	T938	MOPAR	471747
T6755	TROS	380022A	T746	MOPAR	474252	T85D110A	BORGW	7038SA	T938	MOPAR	472674
T676	MOPAR	473415	T7487	TROS	7994S	T861	MOPAR	471651	T939	MOPAR	471763
T677	MOPAR	240733	T75	MOPAR	5591	T865	MOPAR	470606	T94108	BORGW	472560N
T679	MOPAR	5976S	T750	MOPAR	450039	T867366337	GE	350364	T94108	BORGW	50151S
T680	MOPAR	340483	T756	MOPAR	451583	T869	MOPAR	471705	T94109	BORGW	472560N
T6808	TROS	6808N	T758	MOPAR	471648	T86E54S	BORGW	471652	T94109	BORGW	50151S
T681	MOPAR	7014S	T759	MOPAR	8059S	T86E54S	BORGW	482208	T942	MOPAR	471763
T682	MOPAR	340413	T761	MOPAR	471688	T86E110A	BORGW	9613S	T943	MOPAR	471763
T684	MOPAR	353132	T762	MOPAR	450040	T86E54E	BORGW	470712	T9455	COC	450185
T6840	TROS	6840S	T763	MOPAR	450040	T874	MOPAR	450043	T9455	COC	473229
T6842	TROS	7600S	T767	MOPAR	240731	T874	MOPAR	473419	T9467	COC	470163
T685	MOPAR	471267	T769	MOPAR	441130	T876	MOPAR	471735	T9467	COC	471766
T6864	TROS	370023A	T771	MOPAR	350414	T879	MOPAR	471762	T948	MOPAR	471785
T6864	TROS	380023A	T771	MOPAR	472311	T87E110	BORGW	473313	T949	MOPAR	481792
T6869S	TROS	370005A	T773	MOPAR	240414	T87F54	BORGW	472258	T9498	COC	340495
T687	MOPAR	350567	T774	MOPAR	350414	T881	MOPAR	473420	T950	MOPAR	450604
T687	MOPAR	471267	T774	MOPAR	472311	T88108A	BORGW	471466	T9505	COC	472287
T6874S	TROS	473234	T775	MOPAR	470120	T890	MOPAR	340815	T95110	BORGW	472015
T6879S	TROS	6879H	T775	MOPAR	471224	T892	MOPAR	240151	T95147	TROS	415147
T688	MOPAR	471267	T776	MOPAR	5857	T893	MOPAR	472560N	T95147	TROS	415449
T689	MOPAR	351267	T7762103	HYST	415294	T893	MOPAR	50151S	T95177	TROS	415379
T689	MOPAR	471267	T7769S	TROS	6241S	T894	MOPAR	340151	T955	MOPAR	450430
T690	MOPAR	351267	T777	MOPAR	471224	T896	MOPAR	471652	T9554	COC	450291
T690	MOPAR	471267	T779	MOPAR	340120	T897	MOPAR	471652	T9554	COC	471141
T691	MOPAR	351267	T782	MOPAR	471224	T89B108	WARNR	7399S	T957	MOPAR	474260
T691	MOPAR	471267	T7824S	TROS	471193N	T89B110A	BORGW	471341	T95701	TROS	415836
T693	MOPAR	471570	T784	MOPAR	471224	T89C54	BORGW	7412S	T95701	TROS	415995
T694	MOPAR	471570	T786	MOPAR	6847S	T900	MOPAR	470189	T95705	TROS	415836
T6954	TROS	6954S	T787	MOPAR	471270	T900	MOPAR	471692	T95705	TROS	415995
T697	MOPAR	471570	T791	MOPAR	470219	T904	MOPAR	204020	T959	MOPAR	471736
T6988S	TROS	6988H	T791	MOPAR	471649	T904	MOPAR	204505	T961106	BORGW	471344
T7	MOPAR	5419	T792	MOPAR	471649	T906	MOPAR	204020	T96110J	BORGW	471344
T7006S	TROS	370006A	T800	MOPAR	471689	T906	MOPAR	204505	T96110L	BORGW	471344
T7022S	TROS	7022S	T803	MOPAR	471689	T907	MOPAR	470530	T966	MOPAR	450161
T7031S	TROS	473234	T806	MOPAR	471689	T908	MOPAR	476838	T966	MOPAR	471764
T7041S	TROS	370012A	T808	MOPAR	40230S	T90A108	BORGW	340797	T968	MOPAR	451182
T7044	TROS	7044NA	T809	MOPAR	203005	T90A54A	BORGW	5MR1300	T969	MOPAR	473427
T708	MOPAR	471633	T809	MOPAR	205005	T90C54	BORGW	350414	T979	MOPAR	470328
T71	MOPAR	5072	T810	MOPAR	203005	T90C54	BORGW	472311	T979	MOPAR	481213
T710	MOPAR	471646	T811	MOPAR	204005	T9110	BORGW	410308	T981	MOPAR	473203
T714	MOPAR	471646	T8121	TROS	8121S	T9110	BORGW	450308	T983	MOPAR	483054N
T7142S	TROS	200110	T815	MOPAR	450593	T9110A	BORGW	473463	T984	MOPAR	472475
T72	MOPAR	5092	T818	MOPAR	240457	T914	MOPAR	476838	T986	MOPAR	473426
T720	MOPAR	470590	T8181	TROS	8181NA	T915	MOPAR	470045	T987	MOPAR	473426
T724	MOPAR	471137	T819	MOPAR	450593	T915	MOPAR	476838	T989	MOPAR	471765
T725	MOPAR	471730	T822	MOPAR	471733	T920	MOPAR	470712	T990	MOPAR	471765
T726	MOPAR	470645	T825	MOPAR	240462	T926	MOPAR	470712	T996	MOPAR	40162S
T7376	TROS	370003A	T826	MOPAR	471744	T927	MOPAR	470712	T997	MOPAR	471765
T7376	TROS	380003A	T828	MOPAR	471760	T9287	COC	470045	T998	GERL	455019
T7378	TROS	370006A	T829	MOPAR	471760	T9287	COC	476838	T998	MOPAR	40576S
T738	MOPAR	340787	T832	MOPAR	40157S	T9296	COC	470806	T9B110	BORGW	473447
T7383S	TROS	321460	T833	MOPAR	471760	T930	MOPAR	203003	TA154	MINNM	450118
T739	MOPAR	471571	T834	MOPAR	453165	T93110	BORGW	450365	TA154	MINNM	473449
T742	MOPAR	471571	T834	MOPAR	471619	T93110	BORGW	470898	TAAK1190	FORD	44053
T743	MOPAR	471647	T842	MOPAR	481650	T932	MOPAR	205004	TABAJ77918AB	FORD	415004
T745	MOPAR	471647	T8528	COC	471192	T933	MOPAR	203003	TABAJ77918AB	FORD	417316
T7452S	TROS	370019A	T853	MOPAR	480210	T934	MOPAR	6832S	TACA7828A	FORD	471570

INTERCHANGE SECTION

COMPETITIVE INTERCHANGES

Mfr No.	Mfr.	National	Mfr No.	Mfr.	National	Mfr No.	Mfr.	National	Mfr No.	Mfr.	National
TACA7828S	FORD	471570	TE13014	HARN	415196	TM1960	AVCO	415458	TR1015	MECH	370025A
TAJAA1175A	FORD	370021A	TE13015	HARN	415047	TM1960	AVCO	455003	TR1015	MECH	380025A
TAJAA1175B	FORD	370021A	TE13016	HARN	472144	TM1960	MINNM	415458	TR1015	MECH	386025A
TAJAA1175B	FORD	415351	TE1302	HARN	415007	TM1960	MINNM	455003	TR1016	MECH	370025A
TAKAA1175A	FORD	370004A	TE1303	HARN	455151	TM527	HU-WR	415645	TR1016	MECH	380025A
TAKAA1190A	FORD	416130	TE1304	HARN	417316	TM527	HU-WR	455104	TR1016	MECH	386025A
TAKAA4676A	FORD	476283N	TE1304	HARN	455004	TM545	HU-WR	416888	TR1017	MECH	370025A
TB7106	FUNK	471192	TE1305	HARN	417490	TM545	HU-WR	455200	TR1017	MECH	380025A
TBAA4676A	FORD	451078	TE1306	HARN	417191	TM546	HU-WR	416125	TR1017	MECH	386025A
TBAA7048	FORD	410308	TE1306	HARN	455165	TO14	ATP	8935S	TR1019	MECH	370036A
TBAA7048A	FORD	410308	TE1307	HARN	417196	TO15	ATP	8609	TR1019	MECH	370349A
TBAF4676A	FORD	6808N	TE1308	HARN	415027	TO2	ATP	330663	TR1019	MECH	380036A
TCM446	ALLCH	415437	TE1308	HARN	455027	TO2	ATP	472354	TR1020	MECH	370036A
TCM446	ALLCH	455173	TE1309	HARN	415711	TO28	ATP	3459	TR1020	MECH	370349A
TC130069	MARMO	417507	TE237	FABCO	473473	TO35	ATP	320583	TR1020	MECH	380036A
TC130069	MARMO	455513	TEAA4676A	FORD	410737	TO36	ATP	710396	TR1021	MECH	370036A
TC238	FABCO	471267	TEAN1144A	FORD	5487	TO4	ATP	331228H	TR1021	MECH	370349A
TC251	FABCO	470027	TEAN1174A	FORD	5487	TO40	ATP	8609	TR1021	MECH	380036A
TC251	FABCO	471554	TEAN1174B	FORD	5487	TO50	ATP	4748N	TR1023	MECH	370036A
TC284	FABCO	473474	TEAN1175B	FORD	455858	TO51	ATP	4738N	TR1023	MECH	370349A
TC422	FABCO	413247	TEAN1175C	FORD	455858	TO54	ATP	3459	TR1023	MECH	380036A
TC422	FABCO	450350	TEAN1175D	FORD	455858	TO55	ATP	3459	TR1024	MECH	370036A
TC5136A	GWI	417584	TEAN1181B	FORD	5487	TO56	ATP	4370N	TR1024	MECH	370349A
TC523	FABCO	353132	TEAN1181C	FORD	5487	TO58	ATP	710058	TR1024	MECH	380036A
TC8513	LETN	455006N	TEAN1181D	FORD	5487	TO59	ATP	710627	TR1025	MECH	370036A
TCA1175	FORD	415960	TF1519	AU-WS	417171	TO60	ATP	100796	TR1025	MECH	370349A
TCA1175	FORD	455009	TF7198	LETN	470565	TO62	ATP	224250	TR1025	MECH	380036A
TCAA1175A	FORD	415960	TFAA3591A	FORD	6597S	TO63	ATP	710747	TR15RK	MECH	370025A
TCAA1175A	FORD	455009	TG9364	COC	417316	TO65	ATP	710259	TR15RK	MECH	380025A
TCAA1175A1	FORD	415960	TG9431	COC	417205	TO66	ATP	223543	TR15RK	MECH	386025A
TCAA1175A1	FORD	455009	TG9856	COC	416706	TO70	ATP	710928	TR41M91723	CINMI	450067
TCAA4676A	FORD	470308N	TG9856	COC	455272	TO72	ATP	710557	TR41M91723	CINMI	473228
TCAK1190	FORD	6954S	TKR847	TIMKE	370001A	TO73	ATP	7300S	TR4RK	MECH	370065A
TCAK1190A	FORD	6954S	TKR847	TIMKE	380001A	TO8	ATP	331227H	TR4RK	MECH	376590A
TCSJ1227	TREME	710431	TKR848	TIMKE	370024A	TO9	ATP	8160S	TR4RK	MECH	380065A
TCSJ1428	TREME	7412S	TKR849	TIMKE	370023A	TO1190	CROSL	6336S	TR5RK	MECH	370065A
TCSJ2122	TREME	710802	TKR849	TIMKE	380023A	TO1190	MASSE	6336S	TR5RK	MECH	376590A
TCSJ2136	TREME	221410	TKR850	TIMKE	370036A	TO24	ATP	2506	TR5RK	MECH	380065A
TD105598	CHRYSS	5857	TKR850	TIMKE	380036A	TO3670	MASSE	473423	TR7RK	MECH	370036A
TD108629	CHRYSS	415004	TKR851	TIMKE	370065A	TO4251	MASSE	417316	TR7RK	MECH	370349A
TD108629	CHRYSS	417316	TKR851	TIMKE	376590A	TO703	MASSE	471829	TR7RK	MECH	380036A
TD1592	CHRYSS	340413	TKR851	TIMKE	380065A	TO7052	MASSE	5872S	TR8495	LETN	416865
TD256	LETN	471341	TKR852	TIMKE	370031A	TO749	MASSE	470169	TR8495	LETN	455070
TD339	LETN	415066	TKR852	TIMKE	380031A	TO749	MASSE	473214	TR9RK	MECH	370037A
TDAA1175A	FORD	416297	TKR853	TIMKE	370037A	TO750	MASSE	473236	TR9RK	MECH	370338A
TDAA1175A1	FORD	416297	TKR854	TIMKE	370019A	TP3185	OLIVE	204002	TRAA1175A	FORD	415857
TDAA1175A3	FORD	416297	TKR855	TIMKE	370124A	TR1004	MECH	370065A	TRC7006	FUNK	471869
TDAA1175B	FORD	416297	TKR856	TIMKE	370022A	TR1004	MECH	376590A	TRC7006	FUNK	473459
TDAA1175C	FORD	416297	TKR856	TIMKE	380022A	TR1004	MECH	380065A	TRC70062	FUNK	471869
TDBA1190	FORD	44052	TKR857	TIMKE	370131A	TR1005	MECH	370065A	TRC70062	FUNK	473459
TDM112	ALLCH	415027	TKR857	TIMKE	380131A	TR1005	MECH	376590A	TRC7116	FUNK	471192
TDM112	ALLCH	455027	TKR858	TIMKE	370021A	TR1005	MECH	380065A	TRC71164	FUNK	6936S
TDM137	ALLCH	415995	TKR859	TIMKE	370025A	TR1007	MECH	370036A	TRC71164	FUNK	9845
TDM137	ALLCH	455013	TKR859	TIMKE	380025A	TR1007	MECH	370349A	TRE5045	MECH	370065A
TE1301	HARN	473245	TKR860	TIMKE	370005A	TR1007	MECH	380036A	TRE5045	MECH	376590A
TE13010	HARN	417497	TKR861	TIMKE	370003A	TR1009	MECH	370037A	TRE5045	MECH	380065A
TE13011	HARN	417357	TKR861	TIMKE	380003A	TR1009	MECH	370338A	TRE5047	MECH	370036A
TE13011	HARN	455192	TKR863	TIMKE	370048A	TR1010	HU-WR	416892	TRE5047	MECH	370349A
TE13012	HARN	417513	TKR863	TIMKE	380048A	TR1015	HU-WR	415035	TRE5047	MECH	380036A
TE13013	HARN	455197N	TM1469	HEIL	471532	TR1015	HU-WR	455035	TRE5049	MECH	370037A

INTERCHANGE SECTION

COMPETITIVE INTERCHANGES



Mfr No.	Mfr.	National	Mfr No.	Mfr.	National	Mfr No.	Mfr.	National	Mfr No.	Mfr.	National
TRE5049	MECH	370338A	TX131	COTTA	410102	TX285	COTTA	416891	TX355	COTTA	415304
TRE5055	MECH	370025A	TX132	COTTA	472015	TX286	COTTA	455024	TX355	COTTA	476470
TRE5055	MECH	380025A	TX133	COTTA	413469	TX287	COTTA	415991	TX357	COTTA	416888
TRE5055	MECH	386025A	TX134	COTTA	411253	TX287	COTTA	455146	TX357	COTTA	455200
TRS005	FORSH	710414	TX134	COTTA	450099	TX288	COTTA	455197N	TX359	COTTA	410520
TRS007	FORSH	710455	TX136	COTTA	412119	TX289	COTTA	416288	TX359	COTTA	471272
TS240U5	NORDG	450361	TX136	COTTA	450101	TX291	COTTA	450316	TX363	KEN	415991
TS240U5	NORDG	472193	TX139	COTTA	415147	TX291	COTTA	472636	TX363	KEN	415991N
TS700011	FUNK	450444	TX139	COTTA	415449	TX292	COTTA	415035	TX363	PACIF	415991
TS700011	FUNK	471835	TX140	COTTA	415001	TX292	COTTA	455035	TX363	PACIF	415991N
TTSJ1730	TREME	7412S	TX140	COTTA	455001	TX293	COTTA	415007	TX366	COTTA	415147
TUAA1175A	FORD	415060	TX141	COTTA	415458	TX294	COTTA	415995	TX366	COTTA	415449
TUAA1190	FORD	370001A	TX141	COTTA	455003	TX294	COTTA	455013	TX367	COTTA	417316
TUAA1190	FORD	380001A	TX142	COTTA	415007	TX295	COTTA	471272	TX367	COTTA	455004
TUAY1190A	FORD	370001A	TX143	COTTA	417316	TX298	COTTA	470380	TX368	COTTA	416654
TUAY1190A	FORD	380001A	TX143	COTTA	455004	TX299	COTTA	416047	TX368	COTTA	455012
TUAY1190A	FORD	6638S	TX144	COTTA	415960	TX299	COTTA	416332	TX369	COTTA	415725
TUW2482164	TROS	710041	TX144	COTTA	455009	TX300	COTTA	471820	TX371	COTTA	415379
TVAA4463A	FORD	470565	TX145	COTTA	415960	TX301	COTTA	415001	TX371	COTTA	455379
TVAA4478A	FORD	410737	TX145	COTTA	455009	TX301	COTTA	455001	TX373	COTTA	473179
TVAA4478A	FORD	450737	TX146	COTTA	415995	TX302	COTTA	476838	TX374	COTTA	416288
TVAA4676A	FORD	410987	TX146	COTTA	455013	TX303	COTTA	450291	TX376	COTTA	415013
TVAA4676A	FORD	450686	TX147	COTTA	417488	TX303	COTTA	471141	TX376	COTTA	415995
TVAA77918A2	FORD	415449	TX149	COTTA	417171	TX304	COTTA	471276	TX377	COTTA	416288
TVAA77918A2	FORD	455147	TX150	COTTA	417171	TX305	COTTA	470169	TX378	COTTA	415086N
TVAA77918A3	FORD	415449	TX151	COTTA	455018	TX305	COTTA	473214	TX378	COTTA	417487
TVAA77918A3	FORD	455147	TX151	COTTA	476470	TX307	COTTA	415021	TX379	COTTA	476470
TVAA77952A	FORD	351267	TX152	COTTA	415137	TX308	COTTA	416271	TX380	COTTA	471267
TVAA77952A	FORD	471267	TX152	COTTA	418028	TX309	COTTA	450400	TX381	COTTA	411376
TVCE77918A	FORD	415449	TX153	COTTA	415023	TX310	COTTA	450519	TX382	COTTA	412473
TVCE77918A	FORD	455147	TX154	COTTA	415025	TX310	COTTA	471271	TX382	COTTA	415894
TW1029U	NORDG	411245	TX155	COTTA	415991	TX314	COTTA	415281N	TX383	COTTA	417171
TW1029U	NORDG	455096	TX155	COTTA	455146	TX315	COTTA	416664	TX388	COTTA	415004
TX101	COTTA	471466	TX155	HARN	415991	TX315	COTTA	455364	TX388	COTTA	417316
TX103	COTTA	471554	TX155	HARN	455146	TX316	COTTA	415984	TX389	COTTA	410519
TX105	COTTA	471137	TX156	COTTA	415991	TX318	COTTA	415302	TX389	COTTA	471271
TX106	COTTA	450040	TX156	COTTA	415991N	TX321	COTTA	415991	TX390	COTTA	472397
TX107	COTTA	471649	TX157	COTTA	415027	TX321	COTTA	415991N	TX392	COTTA	415072
TX108	COTTA	450593	TX157	COTTA	455027	TX326	COTTA	471984	TX395	COTTA	472705
TX109	COTTA	476838	TX159	COTTA	417205	TX327	COTTA	415086N	TX398	COTTA	412119
TX110	COTTA	473205	TX160	COTTA	415034	TX327	COTTA	417487	TX399	COTTA	450519
TX111	COTTA	471750	TX160	COTTA	455034	TX328	COTTA	417487	TX399	COTTA	471271
TX114	COTTA	471795	TX161	COTTA	415036	TX328	COTTA	455014	TX401	COTTA	415088
TX115	COTTA	471762	TX162	COTTA	415047	TX334	COTTA	470898	TX401	COTTA	455088
TX117	COTTA	473215	TX163	COTTA	415991	TX337	COTTA	470074	TX403	COTTA	472164
TX118	COTTA	470950	TX163	COTTA	415991N	TX337	COTTA	474265	TX404	COTTA	470605
TX118	COTTA	6241S	TX164	COTTA	417538	TX338	COTTA	416706	TX406	COTTA	416888
TX122	COTTA	470077	TX165	COTTA	417269	TX338	COTTA	455272	TX408	COTTA	455123
TX122	COTTA	474281	TX166	COTTA	415072	TX339	COTTA	416865	TX409	COTTA	415088
TX123	COTTA	471821	TX168	COTTA	416654	TX340	COTTA	416865	TX410	COTTA	416125
TX124	COTTA	471419	TX168	COTTA	455012	TX340	COTTA	455070	TX411	COTTA	240735
TX124	COTTA	473367	TX172	COTTA	473225	TX341	COTTA	415082	TX412	COTTA	455655
TX125	COTTA	472185	TX274	COTTA	416271	TX342	COTTA	411253	TX413	COTTA	455035N
TX126	COTTA	450076	TX275	COTTA	415449	TX342	COTTA	450099	TX414	PACIF	482576N
TX126	COTTA	470334	TX275	COTTA	455147	TX343	COTTA	470605	TX416	COTTA	417082
TX127	COTTA	473447	TX277	COTTA	473258	TX345	COTTA	416865	TX419	COTTA	412920
TX128	COTTA	472924	TX278	COTTA	416892	TX348	COTTA	481864	TX419	COTTA	450132
TX129	COTTA	450084	TX281	COTTA	472179	TX349	COTTA	473225	TX420	COTTA	417316
TX130	COTTA	450301	TX283	COTTA	476470	TX351	COTTA	450275	TX420	COTTA	455004
TX130	COTTA	472397	TX284	COTTA	417355	TX352	COTTA	470351	TX421	COTTA	416404

INTERCHANGE SECTION

COMPETITIVE INTERCHANGES

Mfr No.	Mfr.	National	Mfr No.	Mfr.	National	Mfr No.	Mfr.	National	Mfr No.	Mfr.	National
TX426	COTTA	455195	TX526	COTTA	472164	U498254	LAZOR	1108	UA0029E0	NOK	415960
TX426	COTTA	472157	TX52759	JOHND	450085	U498262	LAZOR	716102	UA0062E	NOK	477163N
TX428	COTTA	450441	TX52759	JOHND	470530	U498327	LAZOR	227040	UA0062E0	NOK	477163N
TX428	COTTA	471341	TX529	COTTA	471413	U498335	LAZOR	227530	UA0068E	NOK	415088
TX429	COTTA	415150	TX52906	JOHND	417343	U498343	LAZOR	229005	UA0068E0	NOK	415088
TX430	COTTA	450084	TX550	COTTA	410312N	U498351	LAZOR	223540	UA0071E	NOK	456618
TX441	COTTA	417351	TX558	COTTA	416444	U498378	LAZOR	224250	UA0071E0	NOK	456618
TX441	COTTA	455154	TX559	COTTA	415379	U498408	LAZOR	223010	UA0072E	NOK	415060
TX444	COTTA	416167	TX559	COTTA	455379	U498416	LAZOR	3771	UA0072E0	NOK	415060
TX444	COTTA	455091	TX561	COTTA	416271	U498424	LAZOR	223035	UA0073E	NOK	417530
TX445	COTTA	416229	TX562	COTTA	450070	U498432	LAZOR	224025	UA0073E0	NOK	417530
TX446	COTTA	415138	TX562	COTTA	472185	U498556	LAZOR	3476	UA0074E	NOK	417507
TX448	COTTA	415009	TX567	COTTA	470898	U498556	LAZOR	710310	UA0074E0	NOK	417507
TX448	COTTA	415960	TX570	COTTA	471192	U499021	LAZOR	224250	UA0078E	NOK	415958
TX449	COTTA	415449	TX571	COTTA	412920	U499056	LAZOR	224520	UA0078E0	NOK	415958
TX449	COTTA	455147	TX572	COTTA	471138	U503	CALSO	472164	UA0080E	NOK	415983
TX450	COTTA	417269	TX603	COTTA	472164	U8G20	OSHKO	415023	UA0080E	NOK	415983N
TX451	COTTA	455186	TX657	COTTA	470898	U818321	LAZOR	224462	UA0080E0	NOK	415983
TX452	COTTA	472144	TX660	COTTA	415483	U818496	LAZOR	239146	UA0080E0	NOK	415983N
TX454	COTTA	417254	TX684	COTTA	472016	U818500	LAZOR	1176	UA0083E	NOK	470764
TX456	COTTA	473237	TX685	COTTA	472164	U818518	LAZOR	223014	UA0083E0	NOK	470764
TX457	COTTA	412027	TX7563	MASSE	450301	U818526	LAZOR	224252	UA0085E	NOK	455019
TX458	COTTA	415294	TX7563	MASSE	472397	U818534	LAZOR	224462	UA0085E0	NOK	455019
TX459	COTTA	472492	TXA28610	MASSE	340724	U818550	LAZOR	473238	UA0089E	NOK	413469
TX460	COTTA	417357	TZB000110	ROVER	710780	U818550	LAZOR	9912	UA0089E0	NOK	413469
TX460	COTTA	455192	TZB100080	ROVER	350609	U818569	LAZOR	224820	UA0091E	NOK	417548
TX462	COTTA	415035	TZB500010	ROVER	710486	U818577	LAZOR	1208	UA0091E0	NOK	417548
TX462	COTTA	415953	TZB500030	ROVER	710484	U818585	LAZOR	225010	UA0123E	NOK	412943
TX464	COTTA	470380	TZB500080	ROVER	710714	U818593	LAZOR	1960	UA0123E0	NOK	412943
TX467	COTTA	415041	U11243	IH	471137	U818615	LAZOR	226020	UA0160E	NOK	6638S
TX468	COTTA	415371	U1227	ALLCH	415007	U818631	LAZOR	1174	UA0160E0	NOK	6638S
TX469	COTTA	415138	U12688	JOHND	416345	U818640	LAZOR	1217	UA0220E	NOK	311189
TX472	COTTA	470565	U12688	JOHND	455033	U818658	LAZOR	482126	UA0220E0	NOK	311189
TX476	COTTA	473474	U14264	JOHND	472164	U818666	LAZOR	1962	UA0504E	NOK	35949N
TX479	COTTA	416345	U14488	JOHND	412920	U818666	LAZOR	224015	UA0504E0	NOK	35949N
TX479	COTTA	455033	U14488	JOHND	450132	U818720	LAZOR	226520	UA0509E	NOK	2674
TX481	COTTA	471341	U16633	IH	470163	U818747	LAZOR	473234	UA0509E0	NOK	2674
TX482	COTTA	473466	U16633	IH	471766	U818755	LAZOR	224820	UA0512E	NOK	417484N
TX483	COTTA	416921	U17942	IH	471137	U818828	LAZOR	472213	UA0512E	NOK	475322N
TX483	COTTA	455011	U17943	IH	470163	U819034	LAZOR	1960	UA0512E0	NOK	417484N
TX485	COTTA	470954	U17943	IH	471766	U819050	LAZOR	224045	UA0512E0	NOK	475322N
TX485	COTTA	480954	U17944	IH	470045	U819085	LAZOR	225500	UB0017E	NOK	471231
TX489	COTTA	415060	U17944	IH	476838	U819093	LAZOR	225010	UB0017E0	NOK	471231
TX494	COTTA	417351	U195	ALLCH	450121	U819107	LAZOR	710309	UB0040E	NOK	450040
TX494	COTTA	455154	U195	ALLCH	472409	U819123	LAZOR	471224	UB0040E0	NOK	450040
TX498	COTTA	415725	U196	ALLCH	450066	U819131	LAZOR	6370N	UB0065E	NOK	100495
TX500	COTTA	417247	U196	ALLCH	473367	U819140	LAZOR	223510	UB0065E	NOK	415281N
TX501	COTTA	416288	U2104	ALLCH	5M403	U819158	LAZOR	1120	UB0065E0	NOK	100495
TX502	COTTA	415035	U2602	ALLCH	450094	U819166	LAZOR	471192	UB0065E0	NOK	415281N
TX502	COTTA	415953	U2602	ALLCH	473462	U819174	LAZOR	710311	UB0084E	NOK	470347
TX503	COTTA	416339	U2674	ALLCH	473215	U819182	LAZOR	224520	UB0084E	NOK	474254
TX503	COTTA	455031	U303A	CALSO	472164	U819190	LAZOR	472164	UB0084E0	NOK	470347
TX504	COTTA	417316	U40370	JOHND	442109	U819204	LAZOR	223535	UB0084E0	NOK	474254
TX504	COTTA	455004	U41989	JOHND	415304	U818542	LAZOR	1012N	UB0086E	NOK	6703S
TX507	COTTA	417191	U41989	JOHND	476470	U818810	LAZOR	224020	UB0086E0	NOK	6703S
TX510	COTTA	417172	U4213	SPICE	473423	U819026	LAZOR	224235	UB0105E	NOK	473449
TX511	COTTA	415991	U43766	JOHND	200870	U819115	LAZOR	1012N	UB0105E0	NOK	473449
TX511	COTTA	455146	U44336	JOHND	416149	U997	ALLCH	411253	UB0109E	NOK	7994S
TX514	COTTA	415013	U498092	LAZOR	1172	U997	ALLCH	450099	UB0109E0	NOK	7994S
TX514	COTTA	415995	U498106	LAZOR	229210	UA0029E	NOK	415960	UB0142E	NOK	3945

INTERCHANGE SECTION

COMPETITIVE INTERCHANGES



Mfr No.	Mfr. National	Mfr No.	Mfr. National	Mfr No.	Mfr. National	Mfr No.	Mfr. National
UB0142E0	NOK 3945	UD0451E0	NOK 9449	UF0195E0	NOK 4148	UH0022H	NOK 710263
UB0176E	NOK 2377	UD0453E	NOK 7044NA	UF0200E	NOK 5121	UH0022H0	NOK 710263
UB0176E0	NOK 2377	UD0453E0	NOK 7044NA	UF0200E0	NOK 5121	UH0046E0	NOK 710532
UB0218E	NOK 331301N	UD0507E	NOK 3893V	UF0213E	NOK 4148	UH0046E	NOK 710532
UB0218E0	NOK 331301N	UD0507E0	NOK 3893V	UF0213E	NOK 471424	UH0047E	NOK 8835S
UB0368E	NOK 470351	UD0508E	NOK 3385	UF0213E0	NOK 4148	UH0047E0	NOK 8835S
UB0368E	NOK 471504	UD0508E0	NOK 3385	UF0213E0	NOK 471424	UH0097F0	NOK 3774
UB0368E0	NOK 470351	UD5148E0	NOK 710572	UF0215E	NOK 442380	UH0097F	NOK 3774
UB0368E0	NOK 471504	UD5148E	NOK 710572	UF0215E0	NOK 442380	UH0102E	NOK 9773
UB0372E	NOK 352354	UE0321E0	NOK 472681	UF0216E	NOK 6954S	UH0102E0	NOK 9773
UB0372E	NOK 472354	UE0009E	NOK 473551	UF0216E0	NOK 6954S	UH0111E0	NOK 3772
UB0372E0	NOK 352354	UE0009E0	NOK 473551	UF0217E	NOK 7022S	UH0111G0	NOK 3772
UB0372E0	NOK 472354	UE0112E	NOK 471744	UF0217E0	NOK 7022S	UH0111E	NOK 3772
UB0441E0	NOK 710202	UE0112E0	NOK 471744	UF0219E	NOK 3087	UH0111G	NOK 3772
UB0441E	NOK 710202	UE0152E	NOK 473258	UF0219E0	NOK 3087	UH0164E	NOK 3909
UB0452E	NOK 6712NA	UE0152E0	NOK 473258	UF0225E	NOK 8871	UH0164E0	NOK 3909
UB0452E0	NOK 6712NA	UE0205E	NOK 472324	UF0225E0	NOK 8871	UH0164G	NOK 3909
UB0498E	NOK 343099	UE0205E0	NOK 472324	UF0230E	NOK 8121S	UH0164G0	NOK 3909
UB0498E0	NOK 343099	UE0282E	NOK 470774V	UF0230E0	NOK 8121S	UH0164J0	NOK 3909
UB0499E	NOK 471539	UE0319E	NOK 481397	UF0260E	NOK 8705S	UH0190E	NOK 9613S
UB0499E0	NOK 471539	UE0319E0	NOK 481397	UF0260E0	NOK 8705S	UH0190E0	NOK 9613S
UB0501E	NOK 7013S	UE0321E	NOK 472681	UF0491E	NOK 9406S	UH0193F	NOK 710075
UB0501E0	NOK 7013S	UE0323E	NOK 482310	UF0491E0	NOK 9406S	UH0193F0	NOK 710075
UB0547E0	NOK 482163	UE0323E0	NOK 482310	UF0495E	NOK 8871	UH0214E	NOK 4250
UB0547E	NOK 482163	UE0912E0	NOK 710690	UF0495E0	NOK 8871	UH0214E0	NOK 4250
UB0555E0	NOK 710241	UE0912E	NOK 710690	UF0496E	NOK 340385	UH0238F	NOK 713750
UB0555E	NOK 710241	UE0968E0	NOK 710463	UF0496E0	NOK 340385	UH0238F0	NOK 713750
UB1	JOHND 471646	UE0968E	NOK 710463	UF0497E	NOK 340787	UH0241E	NOK 472341
UB124	WHITE 415035	UE5119E0	NOK 710797	UF0497E0	NOK 340787	UH0241E0	NOK 472341
UB124	WHITE 455035	UE5119E	NOK 710797	UF0500E0	NOK 40520S	UH0246E	NOK 2146
UB4026154	MAZDA 223550	UF0532E0	NOK 42311S	UF0500E	NOK 40520S	UH0278E	NOK 9845
UB4026157	MAZDA 1994	UF0014E0	NOK 440972	UF0502E	NOK 343105	UH0278E0	NOK 9845
UB4049154	MAZDA 223542	UF0014E	NOK 440972	UF0502E	NOK 7399S	UH0278F	NOK 9845
UC0159G0	NOK 7412S	UF0015E0	NOK 482126	UF0502E0	NOK 343105	UH0278F0	NOK 9845
UC0159E	NOK 7412S	UF0015E	NOK 482126	UF0502E0	NOK 7399S	UH0287F	NOK 3698
UC0159G	NOK 7412S	UF0018E	NOK 340136	UF0505E	NOK 2222	UH0287F0	NOK 3698
UC5068F0	NOK 330385	UF0018E0	NOK 340136	UF0505E0	NOK 2222	UH0327E	NOK 477163N
UC5068F	NOK 330385	UF0018F	NOK 40468	UF0506E	NOK 44052	UH0335E	NOK 470331N
UC8625154	MAZDA 223550	UF0018F0	NOK 40468	UF0506E0	NOK 44052	UH0335E0	NOK 470331N
UC8626154	MAZDA 223550	UF0023E	NOK 204038	UF0532E	NOK 42311S	UH0335F	NOK 714675
UC8633065	MAZDA 710094	UF0023E0	NOK 204038	UF0820E0	NOK 1932	UH0335F0	NOK 714675
UC8633065A	MAZDA 710094	UF0030E	NOK 204008	UF0820E	NOK 1932	UH0336G0	NOK 4359V
UC8633067	MAZDA 710093	UF0030E0	NOK 204008	UG0081E	NOK 8976S	UH0336G	NOK 4359V
UCB521	CLSTL 473237	UF0038E	NOK 6815	UG0081E0	NOK 8976S	UH0337E	NOK 3638
UD0024ED	NOK 472446	UF0038E0	NOK 6815	UG0203E	NOK 471652	UH0337E0	NOK 3638
UD0035E	NOK 471413V	UF0058E	NOK 204002	UG0203E0	NOK 471652	UH0341E0	NOK 3173
UD0035E0	NOK 471413V	UF0058E0	NOK 204002	UG5023E0	NOK 710597	UH0341E0	NOK 710928
UD0066E	NOK 415035	UF0067E	NOK 40316S	UG5023E1	NOK 710597	UH0341E	NOK 3173
UD0066E0	NOK 415035	UF0067E0	NOK 40316S	UG5023F0	NOK 710597	UH0341E	NOK 710928
UD0075E	NOK 472012	UF0075E	NOK 6954S	UG5023E	NOK 710597	UH0351E	NOK 3655
UD0075E0	NOK 472012	UF0075E0	NOK 6954S	UG5023F	NOK 710597	UH0351E0	NOK 3655
UD0076E	NOK 39807	UF0098F	NOK 240733	UG5093E0	NOK 710798	UH0390E	NOK 712000
UD0076E0	NOK 39807	UF0098F0	NOK 240733	UG5093E	NOK 710798	UH0390F	NOK 712000
UD0166E	NOK 470547	UF0114E	NOK 7607	UG5147E0	NOK 710671	UH0394F0	NOK 710101
UD0166E0	NOK 470547	UF0114E0	NOK 7607	UG5147E	NOK 710671	UH0394G0	NOK 710101
UD0173E	NOK 8695S	UF0115E	NOK 5796	UH0598E0	NOK 710388	UH0394F	NOK 710101
UD0173E0	NOK 8695S	UF0115E0	NOK 5796	UH0004E0	NOK 9599S	UH0394G	NOK 710101
UD0241E	NOK 331107N	UF0144E	NOK 471795	UH0004E	NOK 9599S	UH0395F0	NOK 710105
UD0241E0	NOK 331107N	UF0144E0	NOK 471795	UH0022F	NOK 710263	UH0395F	NOK 710105
UD0451E	NOK 9449	UF0195E	NOK 4148	UH0022F0	NOK 710263	UH0397G	NOK 482041N

INTERCHANGE SECTION

COMPETITIVE INTERCHANGES

Mfr No.	Mfr.	National	Mfr No.	Mfr.	National	Mfr No.	Mfr.	National	Mfr No.	Mfr.	National
UH0397G0	NOK	482041N	UH0871E0	NOK	5126	UH5041E0	NOK	710237	UH5108E	NOK	710615
UH0403F	NOK	320259	UH0892E0	NOK	710765	UH5041E	NOK	710237	UH5110E0	NOK	710536
UH0403F0	NOK	320259	UH0892E	NOK	710765	UH5044F0	NOK	710623	UH5110E	NOK	710536
UH0404E0	NOK	710329	UH0910E0	NOK	710661	UH5044G0	NOK	710623	UH5123E0	NOK	224200
UH0404E	NOK	710329	UH0910F0	NOK	710661	UH5044G1	NOK	710623	UH5123E	NOK	224200
UH0424E0	NOK	714503	UH0910E	NOK	710661	UH5044F	NOK	710623	UH5125E0	NOK	710814
UH0424F0	NOK	714503	UH0910F	NOK	710661	UH5044G	NOK	710623	UH5125E	NOK	710814
UH0424E	NOK	714503	UH0911E0	NOK	4503N	UH5057G0	NOK	223750	UH5126E0	NOK	710554
UH0424F	NOK	714503	UH0911F0	NOK	4503N	UH5057G	NOK	223750	UH5126E	NOK	710554
UH0433E0	NOK	2003N	UH0911E	NOK	4503N	UH5058E0	NOK	710627	UH5128E0	NOK	710606
UH0433E	NOK	2003N	UH0911F	NOK	4503N	UH5058E	NOK	710627	UH5128E	NOK	710606
UH0434F0	NOK	712449	UH0944E0	NOK	228009	UH5061E0	NOK	710692	UH5136E0	NOK	710787
UH0434F	NOK	712449	UH0944F0	NOK	228009	UH5061G0	NOK	710692	UH5136E	NOK	710787
UH0455E0	NOK	3698	UH0944E	NOK	228009	UH5061E	NOK	710692	UH5137E	NOK	710487
UH0455E	NOK	3698	UH0944F	NOK	228009	UH5061G	NOK	710692	UH5137E0	NOK	710487
UH0490E	NOK	3214	UH0946E	NOK	710431	UH5063E0	NOK	710683	UH5138E0	NOK	710486
UH0490E0	NOK	3214	UH0946E0	NOK	710431	UH5063F0	NOK	710683	UH5138E	NOK	710486
UH0492E	NOK	331228H	UH0946F0	NOK	710431	UH5063E	NOK	710683	UH5141E	NOK	710484
UH0492E0	NOK	331228H	UH0946F	NOK	710431	UH5063F	NOK	710683	UH5141E0	NOK	710484
UH0493E	NOK	8181NA	UH0950E1	NOK	710663	UH5065E0	NOK	710662	UH5142E	NOK	710694
UH0493E0	NOK	8181NA	UH0950F0	NOK	710663	UH5065F0	NOK	710662	UH5142E0	NOK	710694
UH0494E	NOK	3604	UH0950E	NOK	710663	UH5065H0	NOK	710662	UH5142F	NOK	710694
UH0494E0	NOK	3604	UH0950F	NOK	710663	UH5065E	NOK	710662	UH5142F0	NOK	710694
UH0511F0	NOK	710469	UH0951E0	NOK	710046	UH5065F	NOK	710662	UH5144E0	NOK	710684
UH0511F	NOK	710469	UH0951E1	NOK	710046	UH5065H	NOK	710662	UH5144E	NOK	710684
UH0516E0	NOK	710426	UH0951F0	NOK	710046	UH5066E0	NOK	710797	UH5145E0	NOK	4503N
UH0516E	NOK	710426	UH0951E	NOK	710046	UH5066E	NOK	710797	UH5145E	NOK	4503N
UH0528E0	NOK	6636S	UH0951F	NOK	710046	UH5070E0	NOK	710732	UH5149E0	NOK	100085
UH0528E	NOK	6863S	UH0983E1	NOK	710668	UH5070E	NOK	710732	UH5149E	NOK	100085
UH0543E2	NOK	4370N	UH0983F0	NOK	710668	UH5087E0	NOK	224650	UH5169E0	NOK	710726
UH0543E	NOK	4370N	UH0983E	NOK	710668	UH5087E	NOK	224650	UH5169E	NOK	710726
UH0570E0	NOK	4278	UH0983F	NOK	710668	UH5088E0	NOK	710659	UH5170E0	NOK	710725
UH0570E	NOK	4278	UH5004E0	NOK	711181	UH5088X0	NOK	710659	UH5170F0	NOK	710725
UH0571E0	NOK	3604	UH5004E	NOK	711181	UH5088E	NOK	710659	UH5170G0	NOK	710725
UH0571F0	NOK	3604	UH5005E0	NOK	710451	UH5088X	NOK	710659	UH5170E	NOK	710725
UH0571E	NOK	3604	UH5005F0	NOK	710451	UH5090E0	NOK	710698	UH5170F	NOK	710725
UH0571F	NOK	3604	UH5005G0	NOK	710451	UH5090E	NOK	710698	UH5170G	NOK	710725
UH0598E	NOK	710388	UH5005E	NOK	710451	UH5091E0	NOK	710651	UH5171E0	NOK	711181
UH0630E	NOK	40375	UH5005F	NOK	710451	UH5091E	NOK	710651	UH5171E	NOK	711181
UH0630E0	NOK	40375	UH5005G	NOK	710451	UH5094E0	NOK	710604	UH5172E0	NOK	710608
UH0728F	NOK	9845	UH5008E0	NOK	321417N	UH5094E	NOK	710604	UH5172E	NOK	710608
UH0728F0	NOK	9845	UH5008F0	NOK	321417N	UH5098E0	NOK	710801	UH5173E0	NOK	710621
UH0757E	NOK	4307V	UH5008G0	NOK	321417N	UH5098E	NOK	710801	UH5173E	NOK	710621
UH0757E0	NOK	4307V	UH5008E	NOK	321417N	UH5102E	NOK	710485	UH5182E0	NOK	710598
UH0766E0	NOK	710258	UH5008F	NOK	321417N	UH5102E0	NOK	710485	UH5182E	NOK	710598
UH0766E	NOK	710258	UH5008G	NOK	321417N	UH5103E0	NOK	710602	UH5185E0	NOK	710735
UH0773F	NOK	325776	UH5019E0	NOK	710717	UH5103E	NOK	710602	UH5185E	NOK	710735
UH0773F0	NOK	325776	UH5019E	NOK	710717	UH5105E0	NOK	710614	UH5186E0	NOK	710734
UH0789E0	NOK	710211	UH5020G0	NOK	710718	UH5105F0	NOK	710614	UH5186E	NOK	710734
UH0789E	NOK	710211	UH5020G	NOK	710718	UH5105G0	NOK	710614	UH5187E0	NOK	710732
UH0816E	NOK	228410	UH5021E0	NOK	710719	UH5105E	NOK	710614	UH5187E	NOK	710732
UH0816E0	NOK	228410	UH5021E	NOK	710719	UH5105F	NOK	710614	UH5189E0	NOK	710658
UH0819E1	NOK	2377	UH5031E0	NOK	225010	UH5105G	NOK	710614	UH5189E	NOK	710658
UH0840E0	NOK	710262	UH5031E	NOK	225010	UH5106E0	NOK	711181	UH5196E0	NOK	710576
UH0840E	NOK	710262	UH5032E0	NOK	224052	UH5106F0	NOK	711181	UH5196E	NOK	710576
UH0841E	NOK	710261	UH5032E	NOK	224052	UH5106E	NOK	711181	UH5197E0	NOK	710726
UH0841E0	NOK	710261	UH5037E0	NOK	224200	UH5106F	NOK	711181	UH5197F0	NOK	710726
UH0862E	NOK	223420	UH5037E	NOK	224200	UH5107E0	NOK	710352	UH5197E	NOK	710726
UH0862E0	NOK	223420	UH5040E0	NOK	710802	UH5107E	NOK	710352	UH5197F	NOK	710726
UH0871E	NOK	5126	UH5040E	NOK	710802	UH5108E0	NOK	710615	UH5198E0	NOK	710237

INTERCHANGE SECTION

COMPETITIVE INTERCHANGES



Mfr No.	Mfr. National	Mfr No.	Mfr. National	Mfr No.	Mfr. National	Mfr No.	Mfr. National
UH5198E	NOK 710237	UW0180G	NOK 710403	UZ0304E	NOK 370003A	V12701Z	RACIN 472164
UH5200E0	NOK 710711	UW0194E0	NOK 3946	UZ0304E0	NOK 370003A	V14651	CASE 473224
UH5200E	NOK 710711	UW0194E	NOK 3946	UZ0305E	NOK 370001A	V14653	CASE 5857
UH5202E0	NOK 710659	UW0561E	NOK 710389	UZ0305E	NOK 380001A	V14654	CASE 455134
UH5202E	NOK 710659	UW0895E0	NOK 710403	UZ0305E0	NOK 370001A	V14655	CASE 470605
UH5206E	NOK 710613	UW0895F0	NOK 710403	UZ0305E0	NOK 380001A	V14656	CASE 330385
UH5206E0	NOK 710613	UW0895E	NOK 710403	UZ0306E	NOK 370023A	V14657	CASE 472560N
UH5207E0	NOK 710707	UW0895F	NOK 710403	UZ0306E	NOK 380023A	V14657	CASE 50151S
UH5207E	NOK 710707	UW0982E0	NOK 710645	UZ0306E	NOK 5667	V14661	CASE 323138
UH5210F0	NOK 710672	UW0982E	NOK 710645	UZ0307E	NOK 370021A	V224	CASE 472070
UH5210F	NOK 710672	UW5038E0	NOK 710682	UZ0307E0	NOK 370021A	V2520	IRON 450078
UH5211F0	NOK 710673	UW5038E	NOK 710682	UZ0308E	NOK 370005A	V2520	IRON 473444
UH5211F	NOK 710673	UW5039F0	NOK 710664	UZ0308E0	NOK 370005A	V3187	WAGNR 416654
UH5214E0	NOK 224200	UW5039F	NOK 710664	UZ0466E0	NOK 4503N	V3187	WAGNR 455012
UH5214E	NOK 224200	UW5060E0	NOK 710693	UZ0466F0	NOK 4503N	V3188	WAGNR 415995
UH5216E0	NOK 710871	UW5060E	NOK 710693	UZ0466F1	NOK 4503N	V3188	WAGNR 455013
UH5216E	NOK 710871	UZ0147G0	NOK 4244	UZ0466E	NOK 4503N	V3202	WAGNR 415027
UH5254E0	NOK 710787	UZ0147G1	NOK 4244	UZ0466F	NOK 4503N	V3202	WAGNR 455027
UH5254E	NOK 710787	UZ0147G	NOK 4244	UZ0510E	NOK 6612S	V3270	WAGNR 416271
UH5291E0	NOK 710953	UZ0206E	NOK 4561V	UZ0510E0	NOK 6612S	V3312	WAGNR 418028
UH5291E	NOK 710953	UZ0206E0	NOK 4561V	UZ0516F0	NOK 710441	V3312	WAGNR 455137
UH5316E0	NOK 710646	UZ0207E	NOK 100263	UZ0516F	NOK 710441	V3321	WAGNR 415991
UH5316E	NOK 710646	UZ0207E0	NOK 100263	UZ0981E0	NOK 710496	V3321	WAGNR 455146
UH5319E0	NOK 710831	UZ0207F	NOK 100263	UZ0981E	NOK 710496	V3322	WAGNR 415449
UH5319E	NOK 710831	UZ0207F0	NOK 100263	UZ5049F0	NOK 710771	V3322	WAGNR 455147
UJ51	UNIVE 473227	UZ0212E	NOK 416404	UZ5049F	NOK 710771	V3324	WAGNR 417343
UJ75	UNIVE 470189	UZ0212E	NOK 9864S	UZ5050F0	NOK 710496	V3471	WAGNR 417082
UJ75	UNIVE 471692	UZ0212E0	NOK 9864S	UZ5050F	NOK 710496	V4348X	WHITE 415449
UP0079E	NOK 472705	UZ0249E	NOK 5313	UZ5059E0	NOK 710660	V4348X	WHITE 455147
UP0079E0	NOK 472705	UZ0249E0	NOK 5313	UZ5059F0	NOK 710660	V4665	IRON 450066
UP0119E	NOK 471224	UZ0261E	NOK 4564V	UZ5059E	NOK 710660	V4665	IRON 473367
UP0119E0	NOK 471224	UZ0261E0	NOK 4564V	UZ5059F	NOK 710660	V481100VD	NATL 471652V
UP0811E0	NOK 222630	UZ0263E	NOK 415082N	UZ5076E0	NOK 710645	V4812A23	WAGNR 415263
UP0811E	NOK 222630	UZ0263E0	NOK 415082N	UZ5076E	NOK 710645	V5459	IRON 412920
US95133	C-P 240385	UZ0264E	NOK 415013N	UZ5089E0	NOK 710682	V5459	IRON 450132
USN14	ATHEY 450030	UZ0264E0	NOK 415013N	UZ5089E	NOK 710682	V6043	MINNM 470358
USN14	ATHEY 474253	UZ0265E0	NOK 100494	UZ5096E0	NOK 710815	V6043	MINNM 473231
UT309	MINNM 473236	UZ0265E0	NOK 416470N	UZ5096E	NOK 710815	V657S	CASE 5857
UT309	WHITE 473236	UZ0265E	NOK 100494	UZ5191E1	NOK 710695	V8020698	WHITE 370003A
UT374	MINNM 416011	UZ0265E	NOK 416470N	UZ5191E	NOK 710695	V8020698	WHITE 380003A
UT374	MINNM 417621	UZ0266E	NOK 475322N	UZ5192E1	NOK 710675	V947271	VOLVO 717005
UT374	WHITE 417171	UZ0266E	NOK 4874N	UZ5192E	NOK 710675	VA18291	WABCO 415124
UT459	MINNM 415027	UZ0266E0	NOK 475322N	V1004	HUGKE 473240	VC9667	LETN 415995V
UT459	MINNM 455027	UZ0266E0	NOK 4874N	V1034	HUGKE 415088	VD12473	WABCO 456865N
UT459A	MINNM 415437	UZ0301E	NOK 370036A	V1034	HUGKE 455088	VH425	IRON 472287
UT459A	WHITE 415437	UZ0301E	NOK 370349A	V1055	HUGKE 40337S	VH430	IRON 473458
UW0454E	NOK 710402	UZ0301E	NOK 380036A	V1064	HUGKE 413246	VH5111	WABCO 415072
UW0454E0	NOK 710402	UZ0301E0	NOK 370036A	V1064	HUGKE 413246N	VH599	IRON 470950
UW0561E0	NOK 710389	UZ0301E0	NOK 370349A	V127016	RACIN 481537	VH599	IRON 6241S
UW0103E	NOK 712937	UZ0301E0	NOK 380036A	V12701C	RACIN 471466	VKBA006	SKF 224045
UW0103E0	NOK 712937	UZ0302E	NOK 370065A	V12701E	RACIN 450188	VKBA007	SKF 482126
UW0134E0	NOK 710062	UZ0302E	NOK 380065A	V12701F	RACIN 471442	VKBA1321	SKF 710311
UW0134F0	NOK 710062	UZ0302E0	NOK 370065A	V12701S	RACIN 470120	VKBA1322	SKF 710311
UW0134E	NOK 710062	UZ0302E0	NOK 380065A	V12701S	RACIN 471224	VKBA1340	SKF 5686
UW0134F	NOK 710062	UZ0303E	NOK 370025A	V12701U	RACIN 450441	VKBA1341	SKF 5686
UW0179F0	NOK 4141	UZ0303E	NOK 380025A	V12701U	RACIN 471341	VKBA1344	SKF 224210
UW0179F	NOK 4141	UZ0303E	NOK 386025A	V12701V	RACIN 470358	VKBA1345	SKF 1180
UW0180F0	NOK 710403	UZ0303E0	NOK 370025A	V12701V	RACIN 473231	VKBA1346	SKF 1180
UW0180G0	NOK 710403	UZ0303E0	NOK 380025A	V12701X	RACIN 450188	VKBA1348	SKF 1932
UW0180F	NOK 710403	UZ0303E0	NOK 386025A	V12701Z	RACIN 450352	VKBA1349	SKF 224235

INTERCHANGE SECTION

COMPETITIVE INTERCHANGES

Mfr No.	Mfr. National	Mfr No.	Mfr. National	Mfr No.	Mfr. National	Mfr No.	Mfr. National
VKBA1351	SKF 224210	VKBA3215	SKF 1928	VKBA506	SKF 1174	VKBA904	SKF 1126
VKBA1352	SKF 1973	VKBA3216	SKF 225410	VKBA513	SKF 224015	VKBA905	SKF 229522
VKBA1353	SKF 1973	VKBA3217	SKF 710642	VKBA515	SKF 494122	VKBA910	SKF 1208
VKBA1359	SKF 225650	VKBA3219	SKF 710239	VKBA516	SKF 1012N	VKBA911	SKF 225500
VKBA1362	SKF 710107	VKBA3220	SKF 224820	VKBA517	SKF 1012N	VKBA912	SKF 225500
VKBA1365	SKF 225650	VKBA3235	SKF 710463	VKBA519	SKF 1209	VKBA926	SKF 472213
VKBA1367	SKF 710338	VKBA3236	SKF 225005	VKBA529	SKF 1962	VKBA944	SKF 4175
VKBA1369	SKF 225010	VKBA3255	SKF 4175	VKBA531	SKF 224010	VKBA947	SKF 710311
VKBA1370	SKF 223550	VKBA3259	SKF 494122	VKBA534	SKF 1950	VKBA948	SKF 710311
VKBA1371	SKF 1955	VKBA3284	SKF 710093	VKBA540	SKF 224520	VKBA949	SKF 4990
VKBA1378	SKF 473367	VKBA3285	SKF 223240	VKBA542	SKF 1962	VKS6299	SKF 711028
VKBA1379	SKF 473367	VKBA3286	SKF 4175	VKBA569	SKF 223035	VL1245	LETN 415234
VKBA1383	SKF 225220	VKBA3308	SKF 225220	VKBA571	SKF 1955	VL22673	WABCO 471341
VKBA1384	SKF 710097	VKBA3309	SKF 4898	VKBA583	SKF 224235	VL2570	LETN 455556
VKBA1400	SKF 1012N	VKBA3312	SKF 710130	VKBA586	SKF 223035	VL25702	WABCO 455556
VKBA1415	SKF 1974	VKBA3313	SKF 710130	VKBA592	SKF 224462	VL2588	LETN 413247
VKBA1417	SKF 225230	VKBA3318	SKF 224045	VKBA594	SKF 224100	VL2588	LETN 450350
VKBA1418	SKF 225230	VKBA3322	SKF 224200	VKBA614	SKF 1174	VL2621	LETN 417353
VKBA1419	SKF 1984	VKBA3325	SKF 710463	VKBA655	SKF 1126	VL2986	LETN 416364
VKBA1420	SKF 224015	VKBA3341	SKF 225275	VKBA661	SKF 1213N	VL6062	WABCO 417020
VKBA1421	SKF 1974	VKBA3347	SKF 1993	VKBA668	SKF 710320	VL8656	WABCO 472636
VKBA1422	SKF 223830	VKBA3434	SKF 710467	VKBA6686	SKF 710467	VM1154	OLIVE 470163
VKBA1423	SKF 710227	VKBA3443	SKF 225230	VKBA674	SKF 224210	VM1154	OLIVE 471766
VKBA1424	SKF 1974	VKBA3474	SKF 473454	VKBA675	SKF 1955	VM1585	OLIVE 417191
VKBA1487	SKF 1973	VKBA3519	SKF 1962	VKBA681	SKF 1183	VM440	OLIVE 412473
VKBA1905	SKF 1959	VKBA3710	SKF 710182	VKBA6811	SKF 1955	VM440	OLIVE 415894
VKBA1906	SKF 1955	VKBA3712	SKF 481837	VKBA684	SKF 1188	VM671	OLIVE 450067
VKBA1909	SKF 226285	VKBA3713	SKF 4904	VKBA6845	SKF 4898	VM671	OLIVE 473228
VKBA1911	SKF 1993	VKBA3714	SKF 4904	VKBA6882	SKF 710572	VN3657	LETN J1136
VKBA1913	SKF 223840	VKBA3718	SKF 4904	VKBA6944	SKF 1932	VP2099	LETN J1106
VKBA1927	SKF 1955	VKBA3726	SKF 226285	VKBA713	SKF 1196	VP2099	WABCO J1106
VKBA1928	SKF 4990	VKBA3727	SKF 226285	VKBA714	SKF 494122	VP223	F-R-H 450085
VKBA1929	SKF 1955	VKBA3729	SKF 225673	VKBA715	SKF 224210	VP223	F-R-H 470530
VKBA1930	SKF 224462	VKBA3730	SKF 1993	VKBA717	SKF 710311	VP224	F-R-H 415027
VKBA1933	SKF 4904	VKBA3739	SKF 225410	VKBA719	SKF 482126	VP224	F-R-H 455027
VKBA1950	SKF 1932	VKBA3740	SKF 1956	VKBA732	SKF 710215	VP5012	WABCO 416624
VKBA1951	SKF 710092	VKBA3756	SKF 1956	VKBA733	SKF 1955	VS3920	WABCO 415263
VKBA1956	SKF 225010	VKBA3761	SKF 239201	VKBA739	SKF 4990	VT1020	MINNM 471763
VKBA1961	SKF 710338	VKBA3764	SKF 710456	VKBA7455	SKF 710522	VT204	MINNM 340413
VKBA1962	SKF 710338	VKBA3770	SKF 1196	VKBA751	SKF 710312	VT2090	CASE 450183
VKBA1963	SKF 1960	VKBA3775	SKF 225010	VKBA755	SKF 223605	VT2090	CASE 472179
VKBA1965	SKF 224820	VKBA3780	SKF 1932	VKBA756	SKF 239155	VT2095	CASE 450365
VKBA1966	SKF 1955	VKBA3784	SKF 225230	VKBA782	SKF 224820	VT2095	CASE 470898
VKBA1967	SKF 1188	VKBA3792	SKF 1196	VKBA824	SKF 1949	VT2115	CASE 473426
VKBA1970	SKF 225230	VKBA3798	SKF 473367	VKBA825	SKF 1994	VT2233	CASE 472287
VKBA1971	SKF 224820	VKBA3831	SKF 710309	VKBA826	SKF 1948	VT2316	CASE 450803
VKBA1972	SKF 224820	VKBA3852	SKF 1955	VKBA827	SKF 1956	VT2817	CASE 471689
VKBA1973	SKF 225082	VKBA3918	SKF 710456	VKBA834	SKF 1992	VT2905	CASE 410119
VKBA1978	SKF 1948	VKBA3922	SKF 710239	VKBA835	SKF 1994	VT2905	CASE 471442
VKBA1984	SKF 1994	VKBA3924	SKF 710522	VKBA840	SKF 2002	VT3249	CASE 412473
VKBA1985	SKF 710168	VKBA3935	SKF 1932	VKBA841	SKF 1974	VT3249	CASE 415894
VKBA1991	SKF 1955	VKBA3936	SKF 225225	VKBA849	SKF 9912	VT3373	CASE 450115
VKBA1992	SKF 710404	VKBA3955	SKF 710463	VKBA859	SKF 494117	VT3373	CASE 473467
VKBA1993	SKF 1955	VKBA3969	SKF 710239	VKBA867	SKF 473454	VT3401	CASE 471765
VKBA1998	SKF 225225	VKBA3970	SKF 224820	VKBA885	SKF 223035	VT3460	CASE 415458
VKBA1999	SKF 710108	VKBA3972	SKF 225678	VKBA886	SKF 225225	VT3460	CASE 455003
VKBA3201	SKF 710125	VKBA3980	SKF 225678	VKBA887	SKF 224045	VT3465	CASE 450316
VKBA3205	SKF 710072	VKBA3984	SKF 1955	VKBA888	SKF 224045	VT3465	CASE 472636
VKBA3206	SKF 473823	VKBA3995	SKF 710176	VKBA889	SKF 224820	VT3502	CASE 415458
VKBA3213	SKF 225275	VKBA500	SKF 224250	VKBA894	SKF 444116	VT3502	CASE 455003

INTERCHANGE SECTION

COMPETITIVE INTERCHANGES



Mfr No.	Mfr.	National	Mfr No.	Mfr.	National	Mfr No.	Mfr.	National	Mfr No.	Mfr.	National
VT3520	CASE	473215	W10642S	CASE	473228	W72113	W-PTS	1174	W72286	W-PTS	482126
VT3525	CASE	471466	W10650	W-PTS	223840	W72121	W-PTS	223535	W72287	W-PTS	224015
VT3555	CASE	472287	W10655	W-PTS	1994	W72122	W-PTS	223535	W72291	W-PTS	5696
VT3688	CASE	470120	W10661	W-PTS	224520	W72124	W-PTS	472213	W72296	W-PTS	226020
VT3688	CASE	471224	W10662	W-PTS	225020	W72126	W-PTS	223014	W72103	W-PTS	1012N
VT3756	CASE	471192	W10663	W-PTS	223830	W72147	W-PTS	473241	W72104	W-PTS	1012N
VT3757	CASE	471192	W10668	W-PTS	1994	W72148	W-PTS	473234	W72106	W-PTS	224045
VT4443	CASE	470163	W1103	HU-WR	450085	W72149	W-PTS	471192	W72112	W-PTS	1174
VT4443	CASE	471766	W1103	HU-WR	470530	W72150	W-PTS	472164	W72117	W-PTS	1208
VT4447	CASE	450066	W1169	HU-WR	410312N	W72155	W-PTS	471224	W72123	W-PTS	224235
VT4447	CASE	473367	W117701	HERCU	471570	W72156	W-PTS	471224	W72131	W-PTS	1012N
VT4896	CASE	471466	W118001	HERCU	472164	W72164	W-PTS	482126	W72132	W-PTS	224045
VT4897	CASE	471267	W1260	WOOL	415088	W72165	W-PTS	473238	W72136	W-PTS	1174
VT4903	CASE	471529	W1260	WOOL	455088	W72177	W-PTS	224015	W72140	W-PTS	1180
VT4928	CASE	450431	W126011035	WOOL	415088	W72179	W-PTS	1960	W72141	W-PTS	224045
VT4928	CASE	471539	W126011035	WOOL	455088	W72182	W-PTS	1959	W72144	W-PTS	1213N
VT4933	CASE	471633	W136301	HERCU	J1103	W72183	W-PTS	1960	W72146	W-PTS	224820
VT4992	CASE	450441	W137701	HERCU	J1107	W72185	W-PTS	1956	W72161	W-PTS	224045
VT4992	CASE	471341	W139701	HERCU	J1123	W72188	W-PTS	1188	W72166	W-PTS	471192
VT7116	FUNK	450117	W15475	CASE	410825	W72190	W-PTS	1183	W72178	W-PTS	224820
VT7116	FUNK	472572	W1581	WOOL	473227	W72200	W-PTS	1950	W72184	W-PTS	1955
VT7139	FUNK	450352	W158111035	C-W	473227	W72201	W-PTS	1962	W72186	W-PTS	223542
VT7139	FUNK	472164	W158111035	WOOL	473227	W72206	W-PTS	1974	W72187	W-PTS	224045
VT815	MINNM	470712	W176511035	WOOL	415047	W72211	W-PTS	1196	W72189	W-PTS	1174
VT901	MINNM	472015	W208K2E9003	FAFNI	200110	W72213	W-PTS	473823	W72199	W-PTS	1180
VX1322	COTTA	J1103	W209341	CROSL	471765	W72217	W-PTS	473812	W72202	W-PTS	1973
VXS80	COC	470120	W2189811	CROSL	471567	W72218	W-PTS	1999	W72203	W-PTS	224820
VXS80	COC	471224	W2189812	CROSL	415007	W72219	W-PTS	473179	W72204	W-PTS	224270
VY2163	LETN	416282	W2189813	CROSL	416888	W72220	W-PTS	1949	W72207	W-PTS	1953
VY67161	WABCO	417238	W2189813	CROSL	455200	W72221	W-PTS	1984	W72212	W-PTS	1955
VZ2731	WABCO	412725	W2189815	CROSL	471801	W72222	W-PTS	1992	W72214	W-PTS	1213N
VZ4044	WABCO	710027	W2189816	CROSL	417485	W72227	W-PTS	1959	W72216	W-PTS	1994
VZ4339	WABCO	710030	W23838	JOHND	472535	W72228	W-MG	224520	W72223	W-PTS	1012N
VZ51501	WABCO	455006N	W302638	CROSL	8160S	W72235	W-PTS	473238	W72226	W-PTS	225020
VZ53021	WABCO	455035N	W302639	CROSL	471763	W72236	W-PTS	482126	W72228	W-PTS	224520
W026901	HERCU	J1127	W45117	W-PTS	3051N	W72237	W-PTS	482126	W72229	W-PTS	224840
W03HH101	SPICE	370001A	W45116	W-PTS	223010	W72238	W-PTS	473238	W72232	W-PTS	223542
W03HH101	SPICE	380001A	W4A5538	ONAN	450076	W72242	W-PTS	2002	W72234	W-PTS	1174
W087601	HERCU	473214	W4A5538	ONAN	470334	W72243	W-PTS	1992	W72240	W-PTS	225230
W089401	HERCU	473464	W518	C-W	415379	W72247	W-PTS	473367	W72241	W-PTS	1012N
W093801	HERCU	J1128	W518	C-W	455379	W72248	W-PTS	494117	W72241	W-MG	1012N
W097801	HERCU	J1134	W518	WOOL	415379	W72249	W-PTS	471419	W72253	W-PTS	225005
W10149	W-PTS	223035	W518	WOOL	455379	W72249	W-PTS	473367	W72255	W-PTS	226285
W10653	W-PTS	3476	W51811035	WOOL	415379	W72249	W-MG	473367	W72260	W-PTS	225110
W10659	W-PTS	224025	W51811035	WOOL	455379	W72250	W-PTS	494122	W72265	W-PTS	225110
W10664	W-PTS	3771	W531	WOOL	415234	W72254	W-PTS	224015	W72266	W-PTS	223605
W10665	W-PTS	473237	W53111035	WOOL	415234	W72256	W-PTS	1943	W72267	W-PTS	224820
W10669	W-PTS	473237	W70476	CROSL	471466	W72258	W-PTS	2003N	W72270	W-PTS	225010
W10703	W-PTS	228010	W72075	W-PTS	224210	W72259	W-PTS	3677	W72275	W-PTS	1012N
W10704	W-PTS	716102	W72076	W-PTS	226285	W72263	W-PTS	1986	W72279	W-PTS	1012N
W10708	W-PTS	228010	W72078	W-PTS	1948	W72264	W-PTS	444116	W72282	W-PTS	224255
W10719	W-PTS	716102	W72082	W-PTS	1174	W72269	W-PTS	229522	W72288	W-PTS	224820
W10900	W-PTS	716102	W72084	W-PTS	225650	W72270	W-MG	1209	W72290	W-PTS	225110
W10098S	CASE	415001	W72089	W-PTS	225650	W72273	W-PTS	4990	W72290	W-PTS	5695
W10098S	CASE	455001	W72092	W-PTS	473677	W72278	W-PTS	3395	W72292	W-PTS	223840
W10150	W-PTS	227040	W72094	W-PTS	4099	W72280	W-PTS	480630	W72298	W-PTS	225010
W10154	W-PTS	226020	W72095	W-PTS	239201	W72280	W-PTS	480991	W72299	W-PTS	710097
W10154S	CASE	450275	W72098	W-PTS	224210	W72281	W-PTS	223535	W794	NORDG	450078
W10439S	CASE	6575S	W72107	W-PTS	1217	W72284	W-PTS	225650	W794	NORDG	473444
W10642S	CASE	450067	W72110	W-PTS	1209	W72285	W-PTS	225225	W853	WOOL	412920

INTERCHANGE SECTION

COMPETITIVE INTERCHANGES

Mfr No.	Mfr.	National	Mfr No.	Mfr.	National	Mfr No.	Mfr.	National	Mfr No.	Mfr.	National
W853	WOOL	450132	WAA4676	FORD	6930	WR9839	GW	415196	X118	ULRIC	450070
W85311035	WOOL	412920	WAA4676B	FORD	6930	WRF1115	AU-WS	5965	X118	ULRIC	472185
W85311035	WOOL	450132	WAA7052A	FORD	410059	WRF1115A	B-L-H	5965	X11872	BRAD	470358
W86611035	WOOL	450076	WAA7052A	FORD	470380	WRF1115A	CLARK	5965	X11872	BRAD	473231
W86611035	WOOL	470334	WAA7052A1	FORD	410059	WS238A32	FORD	471652	X12127	PARGN	473010
W873	HU-WR	450070	WAA7052A1	FORD	470380	WS238A32	FORD	482208	X1220	BORGW	455018
W873	HU-WR	472185	WAT4676A	FORD	6930	WVR23	DEVIL	471538	X1220	BORGW	476470
W874	HU-WR	412119	WAT4676A3	FORD	6930	WX13136	ALLCH	40370S	X1220	IG-RA	455018
W874	HU-WR	450101	WAT4676B	FORD	7044NA	WX916	GMC	240385	X1220	IG-RA	476470
W950	NORDG	411245	WAT4676B1	FORD	7044NA	WY31912105	LK-BT	410312N	X122051	BORGW	450301
W950	NORDG	455096	WAT4676B2	FORD	7044NA	WY31912109	LK-BT	473245	X122051	BORGW	472397
W966	WOOL	450076	WD756	MINNM	470543	WY31912129	LK-BT	415449	X122053	BORGW	417344
W966	WOOL	470334	WD756	MINNM	474272	WY31912129	LK-BT	455147	X122053	BORGW	455006
WA200110A	BORGW	55563	WE0026A0	NOK	221207	WY31912145	LK-BT	417316	X122054	BORGW	455018
WA202110	BORGW	416404	WE0026A	NOK	221207	WY31912145	LK-BT	455004	X122054	BORGW	476470
WA25030	WABCO	472572	WE60662	BCABG	1962	WY3191225	LK-BT	471570	X122055	BORGW	415066
WA3387	WABCO	416339	WF01152	RACIN	471442	WY3191241	LK-BT	470045	X12207	BORGW	471137
WA47110A	BORGW	470625	WF01164	RACIN	471472	WY3191241	LK-BT	476838	X122071	BORGW	472012
WA47110C	BORGW	450494	WF0124	RACIN	473226	WY3191249	LK-BT	470163	X1220T52	BORGW	412119
WA47110C	BORGW	472164	WF0145	RACIN	470027	WY3191249	LK-BT	471766	X1220T52	BORGW	450101
WA47110D	BORGW	471192	WF0145	RACIN	471554	WY3191281	LK-BT	450070	X12433	BRAD	450494
WA47110E	BORGW	470548	WF0170	RACIN	474278	WY3191281	LK-BT	472185	X12433	BRAD	472164
WA47110E	BORGW	470625	WF0170	RACIN	480356	WY319121	LK-BT	6863S	X125514	LEROI	480630
WA47110F	BORGW	450260	WFD124	RACIN	473226	WY3191257	LK-BT	471192	X13176	PARGN	471268N
WA500110	BORGW	470380	WIR441	MERIX	J1119	WZ2731	WABCO	412725	X1318939	GMC	450352
WA500110A	BORGW	472164	WIR441	ROCKW	J1119	X13T536	IG-RA	470403	X1318939	GMC	472164
WA50110	BORGW	473227	WIR462	MERIX	100495	X13T536	IG-RA	470774	X1334284	GMC	450183
WA5710A	BORGW	410496	WIR462	MERIX	5601	X301SL799	B-L-H	472492	X1334284	GMC	472179
WA5900	WABCO	55563	WIR462	ROCKW	100495	X301SN799	B-L-H	470380	X13444	BOSTN	350909
WA5908	WABCO	416345	WIR462	ROCKW	5601	X301SP799	B-L-H	415138	X13444	BOSTN	471224
WA5908	WABCO	455033	WJ318	F-R-H	417211	X60223715	REX	470950	X1380974	GMC	473179
WA5954	WABCO	5751	WJ495	F-R-H	455584	X60223715	REX	6241S	X13C207	CONTI	471466
WA5955	WABCO	450084	WJ618	F-R-H	417211	XA445FHA	CASE	472560N	X13T2A	IG-RA	450301
WA5969	WABCO	472164	WK116757	ALLCH	415458	XA445FHA	CASE	50151S	X13T2A	IG-RA	472397
WA5989	WABCO	6936S	WK116757	ALLCH	455003	X0120L200	CONTI	450446	X13T296	BORGW	450593
WA5989	WABCO	9845	WKH3519	C-R	1962	X0120L210	CONTI	415389	X13T296	IG-RA	450593
WA66110	BORGW	470189	WKH3519	SKF	1962	X0373170	IH	415962	X13T2A	BORGW	450301
WA66110	BORGW	471692	WKM85641	ALLCH	330385	X0E9	WHITE	472041	X13T2A	BORGW	472397
WA66110A	BORGW	470358	WO10	ATP	4359V	X0E9	WHITE	473454	X13T536	BORGW	470403
WA66110A	BORGW	473231	WO9	ATP	3622	X1015992	DURA	473313	X13T536	BORGW	470774V
WA67110	BORGW	471808	WO93801	HERCU	J1128	X10693	REX	455008	X14231	BRAD	471466
WA67110A	BORGW	473215	WO97801	HERCU	J1134	X10736	AMC	450066	X143620	FORD	482253
WA69110A	BORGW	415458	WP17733	ALLCH	473228	X10736	AMC	473367	X143621	FORD	474255
WA69110A	BORGW	455003	WR11063	GW	415013	X108	ULRIC	410694	X143626	FORD	472012
WA7052	FORD	410059	WR11063	GW	415995	X109444A	BOSTN	471255	X1507	CONTI	471137
WA7052	FORD	470380	WR11064	GW	417541	X10955	BRAD	470380	X1512	CONTI	450269
WA84110A	BORGW	417551	WR11141	GW	473245	X11144	PARGN	473446	X1518	CONTI	450115
WA84110C	BORGW	416624	WR11582	GW	470077	X115	HOUGH	472394	X1518	CONTI	473467
WA84110D	BORGW	417254	WR11582	GW	474281	X11518	PARGN	416664	X1519	CONTI	450446
WA84110F	BORGW	471341	WR14310	GW	416888	X1160122	ALLCH	416135	X152	ULRIC	472015
WA84110H	BORGW	471341	WR14310	GW	455200	X1160216	ALLCH	416556	X1527	CONTI	410101N
WA84110J	BORGW	416624	WR15090	GW	450083	X1160216	ALLCH	472157	X15299A	CASE	450984
WA84110K	BORGW	417551	WR15090	GW	472924	X1160246	ALLCH	415137	X153	ULRIC	450066
WA84110L	BORGW	415899N	WR16607	GW	417538	X1160246	ALLCH	418028	X153	ULRIC	473367
WA84110L	BORGW	416624N	WR254	CEW	224045	X1160303	ALLCH	470954	X1553	CONTI	470543
WA87110	BORGW	415449	WR309	CEW	224235	X1162562	ALLCH	472164	X1553	CONTI	474272
WA87110	BORGW	455147	WR398	CEW	1174	X1162682	ALLCH	472572	X1555	CONTI	8650S
WA88110	BORGW	450494	WR546	CEW	228010	X1162694	ALLCH	472397	X1607024	GMC	8871
WA88110	BORGW	472164	WR9046	GW	417211	X1162717	FUNK	416154	X169759	US-EL	471076
WA9019	BORGW	412920	WR9255	GW	417355	X11791	PARGN	473224	X17036	AMC	450066

INTERCHANGE SECTION

COMPETITIVE INTERCHANGES



Mfr No.	Mfr.	National	Mfr No.	Mfr.	National	Mfr No.	Mfr.	National	Mfr No.	Mfr.	National
X17036	AMC	473367	X27124	KOHL	450065	X3016237	NATAU	471553	X407346	WHITE	410308
X17604	US-EL	450039	X2713	KOHL	470088	X3016238	NATAU	450025	X407346	WHITE	450308
X176888	US-EL	471272	X2714	KOHL	471466	X3016238	NATAU	471553	X407363	WHITE	410694
X178187	GMC	240119	X2716	KOHL	471567	X3016241	NATAU	470027	X419339	WHITE	417556
X17909	GMC	471554	X2719	KOHL	471267	X3016241	NATAU	471554	X420538	WHITE	415645
X179175	CUMMI	J1134	X275	CUSH	471643	X3016242	NATAU	470027	X420538	WHITE	455104
X17937A	VICK	340823	X28	GEHL	472015	X3016242	NATAU	471554	X425651	WHITE	410101N
X20264143	REX	450301	X28473	FMC	5865	X3016243	NATAU	471231	X425746	WHITE	450194
X20264143	REX	472397	X285525	US-EL	417181	X3016244	NATAU	471231	X425746	WHITE	473010
X202648143	REX	450301	X28A2122	DALMO	240716	X3016245	NATAU	471267	X425747	WHITE	450070
X202648143	REX	472397	X3010	FUNK	472029	X3016246	NATAU	471267	X425747	WHITE	472185
X203536	REX	450069	X30162	NATAU	471103	X3016247	NATAU	471570	X425748	WHITE	417316
X203536	REX	473232	X30162	NATAU	50197S	X3016248	NATAU	471570	X425748	WHITE	455004
X20385941	REX	472394	X301621	NATAU	330385	X3016249	NATAU	471571	X430339	WHITE	416153
X20433	BOSTN	340771	X3016210	NATAU	471549	X3016250	NATAU	471571	X43482A	VICK	471192
X20779	FORD	2443	X30162100	NATAU	473426	X3016251	NATAU	451583	X445016	WHITE	340823
X211111	US-EL	450400	X30162101	NATAU	471354	X3016252	NATAU	451583	X448	HOUGH	417596
X212176	US-EL	415302	X30162102	NATAU	471354	X3016253	NATAU	450040	X452064	WHITE	6545
X21230	GMC	418028	X30162103	NATAU	471354	X3016262	NATAU	450593	X46248	GMC	471763
X21230	GMC	455137	X30162104	NATAU	450048	X3016265	NATAU	453165	X46249	GMC	412473
X21238	GMC	415937	X30162105	NATAU	450048	X3016265	NATAU	471619	X46249	GMC	415894
X220073	US-EL	415991	X3016211	NATAU	471530	X3016266	NATAU	453165	X470207	STUDE	340385
X220073	US-EL	415991N	X30162116	NATAU	471750	X3016266	NATAU	471619	X4788	COC	204035
X220074	US-EL	416380	X30162117	NATAU	471750	X301627	NATAU	471472	X495045	WHITE	470004
X220734	FORD	471763	X30162118	NATAU	471750	X3016274	NATAU	450342	X50058	GMC	350156
X220903	US-EL	473016	X30162119	NATAU	471787	X3016275	NATAU	450342	X50058	GMC	473096
X221327	US-EL	471821	X3016212	NATAU	471530	X3016276	NATAU	450342	X50734	BENDI	340771
X221444	BOSTN	471549	X30162120	NATAU	471787	X3016277	NATAU	473420	X50743	BENDI	240319
X221444	BOSTN	472467	X30162121	NATAU	471787	X3016278	NATAU	473420	X50799	ALLCH	416364
X22270	ALLCH	450316	X30162122	NATAU	471801	X3016279	NATAU	473420	X508175	US-EL	473445
X22270	ALLCH	472636	X30162123	NATAU	471801	X301628	NATAU	471472	X514308	US-EL	450352
X223770	US-EL	416288	X30162124	NATAU	471801	X3016286	NATAU	471747	X514308	US-EL	472164
X225818	US-EL	415988	X30162125	NATAU	471808	X3016286	NATAU	472674	X52089	BENDI	472560N
X22658	MYERS	455280	X30162126	NATAU	471808	X3016288	NATAU	471747	X52089	BENDI	50151S
X22793	ALLCH	471689	X30162127	NATAU	471808	X3016288	NATAU	472674	X52167	BENDI	471267
X22949	ALLCH	450183	X30162143	NATAU	472826	X3016289	NATAU	471785	X5229	JOHND	472287
X22949	ALLCH	472179	X30162144	NATAU	472826	X301629	NATAU	471549	X52444A	BOSTN	471750
X22950	ALLCH	471138	X30162145	NATAU	472826	X3016290	NATAU	471785	X53616	GMC	413246
X230926	US-EL	415147	X30162146	NATAU	473212	X3016291	NATAU	471785	X53616	GMC	413246N
X230926	US-EL	415449	X30162147	NATAU	473212	X3016292	NATAU	417520	X5391	BORGW	470027
X231444101	BOSTN	471684	X30162148	NATAU	473212	X3016293	NATAU	417520	X5391	BORGW	471554
X231444101	BOSTN	471698	X30162149	NATAU	473213	X3016294	NATAU	417520	X5393	CONTI	450389
X232829	US-EL	417171	X30162150	NATAU	473213	X3016298	NATAU	473426	X5393	CONTI	472492
X236	HOUGH	450275	X30162151	NATAU	473213	X3016299	NATAU	473426	X5397	CONTI	411245
X237	HOUGH	470950	X3016217	NATAU	471281	X3018687	NATAU	471747	X5397	CONTI	455096
X237	HOUGH	6241S	X3016218	NATAU	471281	X3018687	NATAU	472674	X5415	BU-SP	240385
X25215	IH	416865	X3016219	NATAU	471535	X301SP799	CLARK	415138	X545	CASE	471466
X262339	US-EL	415034	X3016220	NATAU	471535	X32142	FMC	415984	X549	CASE	471442
X2671	COC	472560N	X3016221	NATAU	471551	X332433102	BOSTN	473010	X551469	US-EL	472144
X2671	COC	50151S	X3016222	NATAU	471551	X332672	WHITE	471419	X55311	GMC	474276
X2672	COC	471820	X3016223	NATAU	471466	X332672	WHITE	473367	X556927	US-EL	415259
X2711	KOHL	330385	X3016224	NATAU	471466	X351A	CHERY	455186	X558070	US-EL	472179
X27110	KOHL	471646	X3016225	NATAU	473405	X352A	CHERY	416107	X560324	US-EL	450457
X27113	KOHL	474276	X3016226	NATAU	473405	X352A	CHERY	455073	X563000	US-EL	470163
X27114	KOHL	450117	X3016229	NATAU	471466	X353986	US-EL	200642	X563000	US-EL	471766
X27114	KOHL	472572	X3016233	NATAU	471255	X363	HOUGH	455019	X565043	US-EL	450275
X27117	KOHL	340815	X3016234	NATAU	471255	X377	HOUGH	472144	X569684	US-EL	472185
X27118	KOHL	450441	X3016235	NATAU	481073	X3796	KOHL	470380	X5704	REX	415960
X27118	KOHL	471341	X3016236	NATAU	481073	X38444A	BOSTN	450593	X5704	REX	455009
X2712	KOHL	472287	X3016237	NATAU	450025	X407279	WHITE	415007	X5705	REX	472012

INTERCHANGE SECTION

COMPETITIVE INTERCHANGES

Mfr No.	Mfr.	National	Mfr No.	Mfr.	National	Mfr No.	Mfr.	National	Mfr No.	Mfr.	National
X573769	US-EL	450069	X658623	IH	450494	X84573	US-EL	472179	XA20732	CASE	415458
X573769	US-EL	473232	X658623	IH	472164	X89048	US-EL	470064	XA20964	CASE	472658
X5764	REX	415995	X661762	US-EL	471570	X89048	US-EL	471821	XA20964	CASE	473197
X5764	REX	455013	X662697	EL-MO	470064	X89204	US-EL	471192	XA21243	CASE	450494
X5833	KOHL	471413	X662697	EL-MO	471821	X8948	KEWNE	204027	XA21243	CASE	472164
X583335	US-EL	473232	X662697	US-EL	470064	X8C1190	FORD	5827	XA21672	CASE	418028
X5834	KOHL	473215	X662697	US-EL	471821	X8N4233	FORD	471868	XA21672	CASE	455137
X5964	REX	472015	X664295	US-EL	473244	X96863	GMC	3893V	XA21673	CASE	418028
X602	REX	470950	X665395	US-EL	416267	X97421	VICK	482126	XA21673	CASE	455137
X602	REX	6241S	X6744	REX	416167	X98196	BORGW	471442	XA23602	CASE	470351
X6082	PETTI	473245	X6744	REX	455091	X98197	BORGW	471466	XA23602	CASE	471504
X6114	REX	415035	X6767	REX	415001	XA077029AA	JOHND	417484N	XA24140	CASE	415036
X6114	REX	455035	X6767	REX	455001	XA077029AA	JOHND	455322	XA24142	CASE	415036
X6115	REX	455018	X6811	REX	416011	XA1024	PREST	471554	XA24683	GMC	472439
X6115	REX	476470	X6811	REX	417621	XA1104	PREST	471354	XA26033	CASE	472015
X61397	US-EL	412943	X6872	REX	410312N	XA11248	CASE	417316	XA26425	CASE	470219
X6160	REX	417357	X6879	REX	450185	XA11248	CASE	455004	XA26425	CASE	471649
X6160	REX	455192	X6879	REX	473229	XA11339	CASE	410308	XA29463	CASE	450519
X6176	REX	413469	X6931	REX	417492	XA11339	CASE	450308	XA29463	CASE	471271
X61794	US-EL	471648	X6995	REX	450154	XA11747	CASE	473226	XA31465	CASE	415984
X6205	REX	473457	X6995	REX	473234	XA1176	OLIVE	416271	XA40865	CASE	470898
X6209	REX	471689	X708819	AVCO	451143	XA12384	GMC	471442	XA41888	CASE	J1103
X6221	REX	470059	X7100	REX	472144	XA12523	CASE	415035	XA43515	CASE	415137
X6221	REX	470380	X7117	REX	456105	XA12523	CASE	455035	XA43515	CASE	418028
X628809	WHITE	471737	X72202A	VICK	240385	XA129585	CASE	416267	XA43517	CASE	417499
X6294	REX	415371	X727262	BORGW	410867N	XA130146	CASE	415027	XA43518	CASE	J1125
X630	REX	450083	X729120	US-EL	471391	XA132694	CASE	417509	XA43816	CASE	413247
X630	REX	472924	X730082	US-EL	470605	XA13379	HWY	417494	XA43817	CASE	415984
X6329	REX	415937	X730093	US-EL	470898	XA13640	CASE	473475	XA45392	CASE	471413
X6335	REX	480210	X730624	US-EL	415563	XA138225	CASE	413470	XA50244	STUDE	471787
X6336	REX	470120	X730624	US-EL	417433	XA14848	CASE	415138	XA5089129	IH	412027
X6336	REX	471224	X730625	US-EL	415483	XA1487	PREST	240470	XA5539159	IH	450083
X6349	REX	416107	X73083	US-EL	450400	XA152753	GMC	350909	XA5539159	IH	472924
X6349	REX	455073	X7517	REX	471689	XA152753	GMC	471224	XA5539278	IH	472299
X6353	REX	411245	X7564	REX	417546	XA153325	CASE	416404	XA5580144	IH	415449
X6353	REX	455096	X7610	REX	455249	XA154253	CASE	471424	XA5580144	IH	455147
X6363	REX	416654	X7723	REX	205035	XA156617	CASE	471272	XA558092	IH	415379
X6363	REX	455012	X7810	CONTI	8650S	XA15678	CASE	450444	XA558092	IH	455379
X6364	REX	470169	X7812	CONTI	470543	XA15678	CASE	471835	XA597	AU-LI	471442
X6364	REX	473214	X7812	CONTI	474272	XA15683	CASE	473227	XA652	AU-LI	470163
X637	REX	473211	X7852	REX	417191	XA15684	CASE	450183	XA652	AU-LI	471766
X638090	WHITE	5872S	X78970	US-EL	471267	XA15684	CASE	472179	XA654	AU-LI	351487
X6382	REX	416153	X7903	REX	472439	XA15692	CASE	417181	XA654436	US-EL	472658
X6387	REX	473243	X8006	REX	450467	XA15769	CASE	415379	XA654436	US-EL	473197
X6389	REX	473225	X8057	REX	412871	XA15821	CASE	450352	XA694	AU-LI	471762
X6392	REX	411394	X8057	REX	450329	XA15821	CASE	472164	XA717	AU-LI	470120
X6392	REX	450317	X8089	REX	450183	XA158371	CASE	471424	XA717	AU-LI	471224
X64030	SPICE	471442	X8089	REX	472179	XA16138	CASE	450441	XA721	AU-LI	471571
X6486A	VICK	418028	X82025	US-EL	450039	XA16138	CASE	471341	XA74217	CASE	416107
X6486A	VICK	455137	X8208	REX	415254	XA17037	CASE	455566	XA78731	ALLCH	410519
X650638	US-EL	471869	X8209	REX	472432	XA17416	CASE	415458	XA78731	ALLCH	471271
X650638	US-EL	473459	X8209	REX	474256	XA17416	CASE	455003	XA813	AU-LI	471231
X650841	US-EL	471570	X8210	REX	450083	XA18156	CASE	456105	XA81806	STUDE	471787
X654335	US-EL	471424	X8210	REX	472924	XA18547	CASE	471579	XA876	AU-LI	330385
X6549	REX	412119	X84534	US-EL	415302	XA18799	CASE	472636	XA91793	CASE	415294
X6549	REX	450101	X84570	DALMO	450457	XA18809	CASE	411376	XA91831	CASE	471442
X658057	US-EL	481397	X84570	US-EL	450457	XA19064	CASE	415449	XA92050	CASE	415937
X6586	REX	474274	X84571	US-EL	450352	XA19064	CASE	455147	XA92072	CASE	473237
X658621	IH	416130	X84571	US-EL	472164	XA19644	GMC	471538	XA99254	CASE	415147
X65862231	IH	412943	X84573	US-EL	450183	XA20732	CASE	415003	XA99254	CASE	415449

INTERCHANGE SECTION

COMPETITIVE INTERCHANGES



Mfr No.	Mfr.	National	Mfr No.	Mfr.	National	Mfr No.	Mfr.	National	Mfr No.	Mfr.	National
XAA13269	JOHND	470120	XAW8070B	JOHND	472705	XH0123E0	NOK	710845	XL76370	NEWVR	3459
XAA13269	JOHND	471224	XAW8293A	JOHND	471442	XH0123E	NOK	710845	XLB444	BOSTN	351028
XAA13269A	JOHND	470120	XAY4734	JOHND	470163	XH0136G0	NOK	710700	XLD51181	MARMO	472179
XAA13269A	JOHND	471224	XAY4734	JOHND	471766	XH0136G	NOK	710700	XM1524	CASE	471354
XAA15602	JOHND	472826	XB6442	CASE	473380	XH0137F0	NOK	710590	XM216D082AA	FORD	710617
XAA17322	JOHND	450867	XB90050	COC	471192	XH0137F	NOK	710590	XM336725	FORD	473234
XAA17322	JOHND	470898	XC12933	MID-R	470120	XH0189E0	NOK	710911	XM346424BA	FORD	229010
XAA18248	JOHND	472560N	XC12933	MID-R	471224	XH0189E	NOK	710911	XM507674	FORD	472299
XAA18248	JOHND	50151S	XC12962	MID-R	470120	XH0200E0	NOK	710773	XN300531	FORD	450389
XAA19918	JOHND	470027	XC12962	MID-R	471224	XH0200F0	NOK	710773	XN300531	FORD	472492
XAA19918	JOHND	471554	XC135639	SCHWI	417484N	XH0200E	NOK	710773	XN305440	FORD	471820
XAA20808	FORD	2503N	XC135639	SCHWI	455322N	XH0200F	NOK	710773	XN307035	FORD	450352
XAA21693	JOHND	450519	XC138211	SCHWI	410316	XH0201E0	NOK	710774	XN307035	FORD	472164
XAA21693	JOHND	471271	XC138211	SCHWI	472636	XH0201F0	NOK	710774	XN307049	LEROI	472287
XAA22407	JOHND	415035	XC330598	FORD	450519	XH0201E	NOK	710774	XN322499	FORD	450911N
XAA22407	JOHND	455035	XC330598	FORD	471271	XH0201F	NOK	710774	XN337312	FORD	473234
XAA2375	JOHND	350954	XC376	BL-KN	471466	XH0211E0	NOK	710738	XN606422	FORD	473228
XAA2375	JOHND	470954	XC96755	C-P	470403	XH0211E1	NOK	710738	XN608008	FORD	200642
XAA2973	FORD	471652	XC96755	C-P	470774	XH0211E	NOK	710738	XN609020	FORD	415027
XAA33187	JOHND	474276	XD0132E0	NOK	710572	XH0443E0	NOK	710708	XN609020	FORD	455027
XAA743	FORD	240414	XD0132E	NOK	710572	XH0443E	NOK	710708	XN610357	FORD	455396
XAA9322	FORD	472070	XD0392E0	NOK	710168	XH0450F0	NOK	710779	XO1	ATP	4072N
XAB12038	JOHND	330385	XD0392E	NOK	710168	XH0450F	NOK	710779	XO10	ATP	710544
XAB22514	JOHND	410496	XE13250E	JOHND	471841	XH0496E0	NOK	710900	XO15	ATP	5693
XAF22204	JOHND	415035	XE17609E	JOHND	416339	XH0496E	NOK	710900	XO3	ATP	3543
XAF22204	JOHND	455035	XE177	OLIVE	472951	XH0498E0	NOK	222030	XO4	ATP	4072N
XAG10583	JOHND	5872S	XE177	OLIVE	474252	XH0498E	NOK	222030	XO16817	JOHND	450441
XAG15542	JOHND	470120	XE3TW11772	FORD	8835S	XH0500E0	NOK	710699	XO16817	JOHND	471341
XAG15542	JOHND	471224	XE82354	FORD	471689	XH0500E	NOK	710699	XO37818	JOHND	450188
XAG15991	JOHND	480630	XED8906	EATON	471267	XH0506G0	NOK	710778	XOS175	BOSTN	476820
XAG17458	JOHND	471442	XER90620	EATON	450867	XH0506G	NOK	710778	XP32496	FORD	331107N
XAG18773	JOHND	410520	XER90620	EATON	470898	XH0533E0	NOK	710931	XP34777	FORD	331107N
XAG18773	JOHND	471272	XER90654	EATON	471869	XH0533E	NOK	710931	XP67266	FORD	7692S
XAG18773A	JOHND	450441	XER90654	EATON	473459	XH0566E0	NOK	710934	XP67267	FORD	7300S
XAG18773A	JOHND	471341	XER90703	EATON	471532	XH0566E	NOK	710934	XP76539	FORD	473473
XAG18811	JOHND	323138	XER90724	EATON	450067	XH0604E0	NOK	710114	XPGF4922	AU-WS	39302
XAG21328A	JOHND	474276	XER90724	EATON	473228	XH0604E	NOK	710114	XPGF16067	AU-WS	415013
XAH91356	JOHND	472658	XER91444	EATON	350936	XH0955E0	NOK	710912	XPGF16067	AU-WS	415995
XAH91356	JOHND	473197	XER9213	ALLCH	472705	XH0955E	NOK	710912	XR12370	CASE	470358
XAK2019A	JOHND	474278	XET95343	EATON	413246	XH0958E0	NOK	710913	XR12370	CASE	473231
XAK2019A	JOHND	480356	XET95343	EATON	413246N	XH0958E	NOK	710913	XR3102	FORD	410059
XAK2027	JOHND	471231	XET95349	EATON	471224	XH0959E0	NOK	710596	XR3102	FORD	470380
XAO16492	JOHND	473241	XF27240	BORGW	416891	XH0959F0	NOK	710596	XR7221	OLIVE	J1119
XAO16784	JOHND	472560N	XF526700AA	FORD	224052	XH0959E	NOK	710596	XR7221	WHITE	J1119
XAO16784	JOHND	50151S	XF5Z6700AA	FORD	224052	XH0959F	NOK	710596	XR737	OLIVE	340356
XAO5188	JOHND	472179	XF5Z6701AA	FORD	228411	XH11726	FORD	471763	XR821244	JAGUA	710895
XAO5258	JOHND	473227	XF5Z6700A	FORD	710308	XH125254	LEROI	470543	XR85146	JAGUA	482041N
XAO77079A	JOHND	417484N	XFS2S	CASE	473473	XH125254	LEROI	474272	XR85147	JAGUA	3909
XAO77079A	JOHND	455322	XG167	OLIVE	470163	XH139	OLIVE	450301	XR8Z7048AA	FORD	711027
XAO77631AA	JOHND	450519	XG167	OLIVE	471766	XH139	OLIVE	472397	XR8Z7A292AA	FORD	473677
XAO77631AA	JOHND	471271	XG168	OLIVE	470169	XH1442E0	NOK	710731	XS120398	CASE	416167
XAO7991A	JOHND	41264S	XG168	OLIVE	473214	XH1442E	NOK	710731	XS4P7A248AA	FORD	710539
XAO7991B	JOHND	340009S	XG2811	JOHND	473227	XH1530433	BOSTN	450083	XS4P7H260AB	FORD	710540
XAR15155	JOHND	472164	XG328	OLIVE	471765	XH1530433	BOSTN	472924	XS4Z1177AA	FORD	710540
XAR28635	JOHND	340356	XH0091E0	NOK	710737	XJ215S	CASE	472560N	XS4Z1S177AA	FORD	710540
XAR33144	JOHND	450400	XH0091E	NOK	710737	XJ215S	CASE	50151S	XS4Z7A248AA	FORD	710539
XARE110	JOHND	450474	XH0102E0	NOK	710621	XL205	OLIVE	410312N	XS6R3K169AA	FORD	710798
XARE3342	JOHND	470954	XH0102E	NOK	710621	XL2Z7B215AA	FORD	3946	XS6R3K169AAN	FORD	710808
XARE4222	JOHND	450084	XH0109E0	NOK	710914	XL347052AA	FORD	223012	XS6Z1177AA	FORD	710798
XARE481	JOHND	417181	XH0109E	NOK	710914	XL484	OLIVE	471138	XSP8600A	CASE	470088

INTERCHANGE SECTION

COMPETITIVE INTERCHANGES

Mfr No.	Mfr.	National	Mfr No.	Mfr.	National	Mfr No.	Mfr.	National	Mfr No.	Mfr.	National
XSP8714	CASE	413247	Y6572	WAUKE	470074	YMS242	YUKON	242PKG	YMS710076	YUKON	710076
XSP8714	CASE	450350	Y6572	WAUKE	474265	YMS248	YUKON	248PKG	YMS710092	YUKON	710092
XT15166	C-W	415483	Y66379	WHITE	370006A	YMS3195	YUKON	3195	YMS710101	YUKON	710101
XT15166	C-W	455368	Y714599	WHITE	417484N	YMS3214	YUKON	3214	YMS710102	YUKON	710102
XT154119	C-W	416229	Y714599	WHITE	475322N	YMS350572	YUKON	350572	YMS710281	YUKON	710281
XT67101	GMC	471692	Y714702	WHITE	415138	YMS3543	YUKON	3543	YMS710428	YUKON	710428
XT7584	GMC	6936S	Y717703	WHITE	415304	YMS3604	YUKON	3604	YMS710429	YUKON	710429
XU171444B	BOSTN	471224	Y717703	WHITE	476470	YMS370047A	YUKON	370047A	YMS710454	YUKON	710454
XVP2099	LETN	J1106	Y825170	WHITE	450183	YMS3747	YUKON	3747	YMS710462	YUKON	710462
XVR1035	ESSIC	415991	Y825170	WHITE	472179	YMS3896	YUKON	3896	YMS710468	YUKON	710468
XVR1035	ESSIC	455146	Y827376	WHITE	412871	YMS40576S	YUKON	40576S	YMS710481	YUKON	710481
XVWSF27433	BOSTN	470954	Y827376	WHITE	450329	YMS40769S	YUKON	40769S	YMS710497	YUKON	710497
XW15754	FORD	9569S	Y827377	WHITE	416921	YMS411330N	YUKON	411330N	YMS710498	YUKON	710498
XW1652	FORD	6930	Y827377	WHITE	455011	YMS4131	YUKON	4131	YMS710506	YUKON	710506
XW19076	FORD	473228	Y904016	EL-PA	416011	YMS413248	YUKON	413248	YMS710507	YUKON	710507
XW19076	FORD	51098	Y904016	EL-PA	417621	YMS414045	YUKON	414045	YMS710508	YUKON	710508
XW19835	FORD	9363S	Y91L202	CONTI	450083	YMS415960	YUKON	415960	YMS710563	YUKON	710563
XW20317	FORD	51322	Y91L202	CONTI	472924	YMS416273	YUKON	416273	YMS710564	YUKON	710564
XW20318	FORD	9161	YC2Z1175BA	FORD	4160	YMS4244	YUKON	4244	YMS712146	YUKON	712146
XW21807	FORD	9568	YC2Z1S175BA	FORD	4160	YMS4250	YUKON	4250	YMS714512	YUKON	714512
XW21911	FORD	9569S	YC356701AA	FORD	5723	YMS4278	YUKON	4278	YMS7216	YUKON	7216
XW2365	CASE	240736	YC3Z4676BA	FORD	100557	YMS442380	YUKON	442380	YMS7457N	YUKON	7457N
XW24525	FORD	473228	YF0910602	MAZDA	710550	YMS442874	YUKON	442874	YMS7687S	YUKON	7687S
XW24525	FORD	51098	YF0911399	MAZDA	3772	YMS4434V	YUKON	4434V	YMS8181NA	YUKON	8181NA
XW26444101	BOSTN	470625	YF0911399A	MAZDA	3772	YMS4525V	YUKON	4525V	YMS8293S	YUKON	8293S
XW26444102	BOSTN	472185	YF1010602	MAZDA	713771	YMS470331N	YUKON	470331N	YMS8362	YUKON	8362
XW4E6700AA	FORD	710837	YF1010602A	MAZDA	713771	YMS470380	YUKON	470380	YMS8460N	YUKON	8460N
XW4Z6700A	FORD	482041N	YF630	F-R-H	417354	YMS470530	YUKON	470530	YMS8477S	YUKON	8477S
XW4Z6700B	FORD	710837	YL243N296AA	FORD	714675	YMS470682	YUKON	470682	YMS8516N	YUKON	8516N
XW4Z6701BA	FORD	231004	YL243N296AB	FORD	714675	YMS471271	YUKON	471271	YMS8549S	YUKON	8549S
XW4Z6700AA	FORD	482041N	YL2Z4L616AA	FORD	714675	YMS471354	YUKON	471354	YMS8594S	YUKON	8594S
XW4Z6700AA	FORD	710837	YL2Z4L616AB	FORD	714675	YMS471763	YUKON	471763	YMS8610	YUKON	8610
XW70063A	JOHND	240735	YL844N299AA	FORD	100552	YMS472015	YUKON	472015	YMS8622	YUKON	8622
XW8069	FORD	7044NA	YL847052AA	FORD	1990	YMS472258	YUKON	472258	YMS8660S	YUKON	8660S
XW8454	FORD	9568	YL847288BA	FORD	2007N	YMS472394	YUKON	472394	YMS8695S	YUKON	8695S
XW8455	FORD	7044NA	YL847288BB	FORD	2007N	YMS473210	YUKON	473210	YMS8704S	YUKON	8704S
XW8456	FORD	8181NA	YL847H260AA	FORD	710429	YMS473212	YUKON	473212	YMS8835S	YUKON	8835S
XX1634135	CATER	417171	YL8P7H260AA	FORD	481191V	YMS473214	YUKON	473214	YMS8873	YUKON	710461
XY41050	JOHND	470950	YL8W7H426AA1	FORD	3604	YMS473227	YUKON	473227	YMS9161	YUKON	9161
XY41050	JOHND	6241S	YL8Z1S177AA	FORD	481191V	YMS473814	YUKON	473814	YMS9316	YUKON	9316
Y143218	GA-WO	417351	YL8Z4N046AA	FORD	100552	YMS4762N	YUKON	4762N	YMS9363S	YUKON	9363S
Y14479	WAUKE	6863S	YL8Z7288BA	FORD	2007N	YMS47761	YUKON	710482	YMS9569S	YUKON	9569S
Y205176	CUMMI	470898	YL8Z1177AA	FORD	481191V	YMS4795V	YUKON	4795V	YMS9864S	YUKON	9864S
Y209810	CUMMI	471413	YMS100715V	YUKON	100715V	YMS480570	YUKON	480570	YMS99118	YUKON	99118
Y344725	IG-RA	470565	YMS100727	YUKON	100727	YMS484054	YUKON	484054	YMS9912	YUKON	9912
Y381653	WHITE	415995	YMS1167	YUKON	1167	YMS4857	YUKON	4857	YMS99131	YUKON	99131
Y381653	WHITE	455013	YMS1173	YUKON	1173	YMS51098	YUKON	51098	YMS99147	YUKON	99147
Y383784	IG-RA	415725	YMS1176	YUKON	1176	YMS5126	YUKON	5126	YMS99152	YUKON	99152
Y400B225	CONTI	450076	YMS1177	YUKON	1177	YMS5131	YUKON	5131	YMS99155	YUKON	99155
Y400B225	CONTI	470334	YMS1956	YUKON	1956	YMS5458	YUKON	5458	YMS99157	YUKON	99157
Y40111312	MAZDA	710849	YMS1959	YUKON	1959	YMS5573	YUKON	5573	YMS99168	YUKON	99168
Y4170	GRAY	470163	YMS1960	YUKON	1960	YMS5778	YUKON	5778	YMS99170	YUKON	99170
Y4170	GRAY	471766	YMS2011	YUKON	2011	YMS5778	YUKON	5778V	YMS99181	YUKON	99181
Y4323	GRAY	471267	YMS2043	YUKON	2043	YMS6818	YUKON	6818	YMS99187	YUKON	99187
Y5045	WAUKE	450076	YMS2081	YUKON	2081	YMS6930	YUKON	6930	YMS99193	YUKON	99193
Y5045	WAUKE	470334	YMS2146	YUKON	2146	YMS7044NA	YUKON	7044NA	YMSC1002	YUKON	4857
Y5229	JOHND	472287	YMS224820	YUKON	224820	YMS710043	YUKON	710043	YMSC1003	YUKON	710863
Y60111312	MAZDA	710849	YMS226285	YUKON	226285	YMS710065	YUKON	710065	YMSC1004	YUKON	710565
Y60117131	MAZDA	223010	YMS2286	YUKON	2286	YMS710067	YUKON	710067	YMSC1005	YUKON	710566
Y6569	WAUKE	472015	YMS2300	YUKON	2300	YMS710068	YUKON	710068	YMSC1006	YUKON	710593

INTERCHANGE SECTION

COMPETITIVE INTERCHANGES



Mfr No.	Mfr.	National	Mfr No.	Mfr.	National	Mfr No.	Mfr.	National	Mfr No.	Mfr.	National
YMSC1008	YUKON	710558	YMST1005	YUKON	1176	YS4Z2B384BA	FORD	100944	Z1026X	EATON	415035
YMSC1013	YUKON	710476	YMST1007	YUKON	710525	YS4Z6700AA	FORD	713771	Z1026X	EATON	455035
YMSC1014	YUKON	710489	YMST1008	YUKON	710931	YS4Z6701BA	FORD	3772	Z1089AA	EATON	417262
YMSC1015	YUKON	710476	YMST1009	YUKON	710596	YS5872	NATSU	455297	Z1089AA	EATON	455448
YMSC1017	YUKON	710839	YMST1011	YUKON	225875	YS6870	NATSU	455584	Z1089R	EATON	471137
YMSC1020	YUKON	710741	YMST1012	YUKON	710697	YS6886	NATSU	450070	Z1089S	EATON	450593
YMSC1024	YUKON	710872	YMST1013	YUKON	710595	YS6886	NATSU	472185	Z1089T	EATON	450066
YMSF1001	YUKON	4278	YMST1014	YUKON	710596	YS6G6700AA	FORD	711002	Z1089T	EATON	473367
YMSF1002	YUKON	370247A	YMST1017	YUKON	710595	YS7622	NATSU	417598	Z10909	GMC	455480
YMSF1003	YUKON	714569	YMST1018	YUKON	710735	YSM99187	YUKON	99187	Z120S201	CONTI	6863S
YMSF1004	YUKON	710754	YMST1019	YUKON	710734	YT156	MINNM	481864	Z224	COC	416271
YMSF1005	YUKON	100537	YMST1020	YUKON	710578	YT330	MINNM	473215	Z268	COC	415013
YMSF1007	YUKON	7044NA	YS0500	NATSU	471442	YX133	GRAY	470045	Z268	COC	415995
YMSF1008	YUKON	714569	YS0750	NATSU	470027	YX133	GRAY	476838	Z273	COC	416011
YMSF1009	YUKON	3604	YS0750	NATSU	471554	Z10260	EATON	415023	Z273	COC	417621
YMSF1011	YUKON	100552	YS10002	NATSU	417020	Z1026AC	EATON	416339	Z273	WHITE	416011
YMSF1012	YUKON	710429	YS1500	NATSU	470059	Z1026AC	EATON	455031	Z273	WHITE	417621
YMSF1013	YUKON	710493	YS1500	NATSU	470380	Z1026AD	EATON	474273	Z289	COC	365008
YMSF1015	YUKON	710685	YS1503	NATSU	470077	Z1026AF	EATON	412871	Z289	WHITE	365008
YMSF1016	YUKON	710701	YS1503	NATSU	474281	Z1026AF	EATON	450329	Z29154	ALLCH	415003
YMSG1002	YUKON	710179	YS1560	NATSU	450185	Z1026AH	EATON	417262	Z29154	ALLCH	415458
YMSG1003	YUKON	7457N	YS1560	NATSU	473229	Z1026AH	EATON	455448	Z310	COC	450869
YMSG1004	YUKON	710491	YS1561	NATSU	450185	Z1026B	EATON	471137	Z320	COC	472658
YMSG1005	YUKON	710688	YS1561	NATSU	473229	Z1026BA	EATON	455195	Z320	COC	473197
YMSG1006	YUKON	710687	YS1562	NATSU	450185	Z1026BA	EATON	472157	Z320	WHITE	450452
YMSG1007	YUKON	710648	YS1562	NATSU	473229	Z1026BD	EATON	470169	Z320	WHITE	473197
YMSG1010	YUKON	7457N	YS1590	NATSU	482253	Z1026BD	EATON	473214	Z33S443003950	FAIRB	470950
YMSG1011	YUKON	710548	YS1753	NATSU	450070	Z1026C	EATON	450593	Z33S443003950	FAIRB	6241S
YMSG1012	YUKON	710281	YS1753	NATSU	472185	Z1026D	EATON	470045	Z33S443015310	FAIRB	415138
YMSG1013	YUKON	710101	YS1871	NATSU	450082	Z1026D	EATON	476838	Z33S443173945	FAIRB	470950
YMSG1016	YUKON	472258	YS1871	NATSU	473238	Z1026E	EATON	471750	Z33S443173945	FAIRB	6241S
YMSG1017	YUKON	710474	YS1872	ARMCO	450117	Z1026F	EATON	473215	Z403	COC	412861
YMSG1021	YUKON	710864	YS1872	ARMCO	472572	Z1026G	EATON	470059	Z414	COC	340120
YMSG1023	YUKON	710542	YS1872	NATSU	450117	Z1026G	EATON	470380	Z414	WHITE	340120
YMSG1023	YUKON	710888	YS1872	NATSU	472572	Z1026H	EATON	450066	Z525	COC	417344
YMSG1024	YUKON	710866	YS2000	NATSU	450085	Z1026H	EATON	473367	Z535	COC	470403
YMSG1025	YUKON	710547	YS2000	NATSU	470530	Z1026I	EATON	450076	Z535	COC	470774
YMSG1026	YUKON	710686	YS2004	NATSU	473242	Z1026I	EATON	470334	Z536	COC	415458
YMSG1027	YUKON	710547	YS2502	NATSU	415449	Z1026J	EATON	450084	Z536	COC	455003
YMSG1028	YUKON	710687	YS2502	NATSU	455147	Z1026K	EATON	450085	Z540	COC	450269
YMSN1001	YUKON	710920	YS3252	ARMCO	455018	Z1026K	EATON	470530	Z550	WHITE	6575S
YMSN1002	YUKON	710919	YS3252	ARMCO	476470	Z1026L	EATON	415001	Z576	COC	450078
YMSN1003	YUKON	710851	YS3252	NATSU	455018	Z1026L	EATON	455001	Z576	COC	473444
YMSS1003	YUKON	4244	YS3252	NATSU	476470	Z1026M	EATON	415960	Z599	COC	470548
YMSS1004	YUKON	710204	YS3340	NATSU	412473	Z1026M	EATON	455009	Z599	COC	470625
YMSS1005	YUKON	470672	YS3340	NATSU	415894	Z1026N	EATON	415995	Z599	WHITE	470548
YMSS1006	YUKON	710304	YS3501	NATSU	415027	Z1026N	EATON	455013	Z599	WHITE	470625
YMSS1007	YUKON	710095	YS3501	NATSU	455027	Z1026O	EATON	415023	Z606	COC	473313
YMSS1008	YUKON	710202	YS4000	NATSU	415035	Z1026P	EATON	415025	Z6067	OLIVE	470045
YMSS1010	YUKON	710241	YS4000	NATSU	455035	Z1026Q	EATON	415027	Z6067	OLIVE	476838
YMSS1011	YUKON	2146	YS4255	NATSU	416149	Z1026Q	EATON	455027	Z6068	OLIVE	470163
YMSS1014	YUKON	710565	YS4500	NATSU	416888	Z1026R	EATON	416345	Z6068	OLIVE	471766
YMSS1015	YUKON	415302	YS4500	NATSU	455200	Z1026R	EATON	455033	Z6121	MUSAS	710175
YMSS1017	YUKON	710624	YS4501	NATSU	416892	Z1026S	EATON	415035	Z6124	MUSAS	223552
YMSS1018	YUKON	710492	YS4503	NATSU	416154	Z1026S	EATON	415953	Z6125	MUSAS	710310
YMSS1019	YUKON	9912	YS4620	NATSU	415371	Z1026T	EATON	415058	Z6126	MUSAS	710334
YMSS1020	YUKON	710385	YS4751	NATSU	415138	Z1026U	EATON	415351	Z6127	MUSAS	224462
YMST1001	YUKON	710070	YS4Z1177AA	FORD	710798	Z1026V	EATON	416107	Z6128	MUSAS	4904
YMST1002	YUKON	3771	YS4Z1S177AA	FORD	710798	Z1026V	EATON	455073	Z6129	MUSAS	222030
YMST1003	YUKON	710419	YS4Z6701AA	FORD	3772	Z1026W	EATON	417562	Z6131	MUSAS	224200

INTERCHANGE SECTION

COMPETITIVE INTERCHANGES

Mfr No.	Mfr.	National	Mfr No.	Mfr.	National	Mfr No.	Mfr.	National	Mfr No.	Mfr.	National
Z6133	MUSAS	223542	ZZL025747	MAZDA	722108	0009141	HYST	450084	003507269A	VW	224520
Z6136	MUSAS	710724	ZZL025749	MAZDA	722109	00092BGOE	SABO	414045	003507269D	AUDI	224520
Z6137	MUSAS	710239	ZZL026154	MAZDA	3604	000931634	AMC	470351	003507269D	VW	224520
Z6138	MUSAS	710240	ZZL026157	MAZDA	8660S	000935612	AMC	8676S	003519089A	VW	3051N
Z6139	MUSAS	710255	ZZL026157A	MAZDA	8660S	000939335	AMC	410308	003519089D	VW	3051N
Z6141	MUSAS	710393	ZZL027018	MAZDA	3604	000939335	AMC	450308	003519089DZ	VW	3051N
Z6142	MUSAS	223553	ZZL033041	MAZDA	4250	0009971546	MERCE	223800	003519089E	VW	3051N
Z6143	MUSAS	710193	ZZL033041A	MAZDA	4250	0009971746	MERCE	1174	003519089M	VW	3051N
Z6144	MUSAS	224820	ZZL033065	MAZDA	6815	0009972747	MERCE	222030	003519089N	VW	3051N
Z6145	MUSAS	710523	ZZL117335	MAZDA	710403	0009972847	MERCE	224045	00302B	SABO	1012N
Z6147	MUSAS	4904	ZZL117487	MAZDA	2658V	0009975146	MERCE	224255	00317016SS	JN-MN	350364
Z6148	MUSAS	222535	ZZL126157	MAZDA	8835S	00100300	DEXTE	441319	0031234	HYST	410102
Z6156	MUSAS	473823	ZZL126157A	MAZDA	8835S	00127238	MAZDA	710396	0031235	HYST	412920
Z6157	MUSAS	239146	ZZL127018	MAZDA	714675	001301227	VW	2027	0031508	HYST	417538
Z6158	MUSAS	710521	ZZL133041	MAZDA	6815	001301227C	AUDI	2027	0031960	HYST	470064
Z6160	MUSAS	710520	ZZL133041A	MAZDA	6815	001301227C	VW	2027	0031960	HYST	471821
Z6172	MUSAS	710522	ZZL133065	MAZDA	9150S	001301227E	VW	2027	0031970	HYST	415991
Z6205	OLIVE	473016	ZZL211399	MAZDA	3393	001321199	VW	2027	0031970	HYST	455146
Z6206	OLIVE	471192	ZZL226157	MAZDA	8660S	001321243	VW	710442	0032166	HYST	416239
Z6572	JOHND	470045	ZZM010602	MAZDA	2955	001321243A	VW	710442	0032205	HYST	472012
Z6572	JOHND	476838	ZZM011399	MAZDA	3909	00100412	SPERY	200354	0032875	HYST	412040
Z6572H	JOHND	470045	ZZM027018	MAZDA	4244	001143040	LF-PT	415498	0032969	HYST	415371
Z6572H	JOHND	476838	ZZM033041	MAZDA	9150S	00115950	SPERY	204035	0034539	HYST	416158
Z6573	JOHND	471750	ZZM033041A	MAZDA	9150S	001171000A	SIMRT	710034	0034820	HYST	415007
Z668	COC	340724	ZZM033067	MAZDA	710453	001258120	LF-PT	7512SSO	003507125A	VW	221040
Z668	WHITE	340724	ZZM033067A	MAZDA	710453	0014015	HYST	340356	0035608	HYST	415984
Z6855	OLIVE	40230S	ZZM110602	MAZDA	2955	00144539	LF-PT	5401	0035828	HYST	416654
Z7151	JOHND	411253	ZZM111399	MAZDA	3909	0019977747	MERCE	711028	0036352	HYST	415219
Z7151	JOHND	450099	ZZM211399	MAZDA	3393	001PKG	TIMKE	001PKG	00375270SS	JN-MN	471103
Z7151H	JOHND	411253	ZZM311399	MAZDA	3909	001R	TIMKE	001PKG	00375270SS	JN-MN	50197S
Z7151H	JOHND	450099	ZZN019223	MAZDA	710535	00200196	ALLCH	471419	00376362SS	JN-MN	330385
Z834270	EL-PA	473458	ZZP027018	MAZDA	714675	00200196	ALLCH	473367	0037103	HYST	416476
Z835639	EL-PA	471750	ZZP033067	MAZDA	710519	0021051	HYST	471763	00376764	ALLCH	472924
Z902417	EL-PA	417316	ZZP033067A	MAZDA	710519	00211700	AJUSA	1172	0039970347	MERCE	710289
Z902417	EL-PA	455004	ZZP088116	MAZDA	710428	0021828	HYST	470088	0039979346	MERCE	1012N
Z90343	EL-PA	450083	ZZP088166	MAZDA	710429	0021870	HYST	450147	003PKG	TIMKE	003PKG
Z90343	EL-PA	472924	ZZP088166A	MAZDA	710429	00220500	AJUSA	229210	003R	TIMKE	003PKG
Z9332A	GMC	474278	ZZR027018	MAZDA	3604	00224955	ALLCH	240414	004450	ELRNG	710850
Z9332A	GMC	480356	ZZR027018A	MAZDA	3604	002301227E	VW	710798	0041454	HYST	415074
Z9342A	GMC	471466	ZZS027018	MAZDA	223542	00231000	AJUSA	229210	0041455	HYST	417172
ZL0910602	MAZDA	710886	ZZS217335	MAZDA	223215	0024410015	RENAU	221540	0041733	HYST	416364
ZNL749	DURA	470169	ZZTT11399	MAZDA	3772	0024410122	RENAU	222240	0041738	HYST	413478
ZNL749	DURA	473214	000220	ELRNG	710761	0024411383	RENAU	223831	0042875	HYST	455308
ZNL750	DURA	473236	0000150245	MERCE	716102	0024411453	RENAU	1012N	004314657SS	JN-MN	472810
ZZC023657	MAZDA	710600	00014002456	LF-PT	470898	0024676	HYST	470605	004316426SS	JN-MN	6863S
ZZC027238	MAZDA	710429	00014002695	LF-PT	415449	00248348	SPERY	415303	004316769SS	JN-MN	6863S
ZZC427238	MAZDA	710709	00014003254	LF-PT	415196	00255620SS	JN-MN	343104	00435701	ALLCH	450273
ZZC527238	MAZDA	710706	00015GA	SABO	6064	00257037SS	JN-MN	350435	0044454	HYST	417474
ZZC527238A	MAZDA	710706	0002518600	TALBO	710681	0026186	HYST	471820	0044456	HYST	351487
ZZC627238	MAZDA	710705	00029141	SPERY	474278	0026640	HYST	450143	0044459	HYST	417205
ZZC719256	MAZDA	710712	00029141	SPERY	480356	0027260	HYST	470712	0044461	HYST	417254
ZZCA10602	MAZDA	482041N	0006116	HYST	415645	0027531	HYST	471442	0044472	HYST	416282
ZZCA10602	MAZDA	710837	0006570	HYST	415035	00289290	SPERY	481163	0044478	HYST	455079
ZZCA27165	MAZDA	100552	0006570	HYST	455035	0029117	HYST	450040	0044479	HYST	416664
ZZJ110602	MAZDA	710837	0007959	HYST	415351	0029308	HYST	410987	0044483	HYST	240736
ZZJ110602A	MAZDA	482041N	0008329	HYST	470530	0029760	HYST	415082	0044484	HYST	416154
ZZJ110602A	MAZDA	710837	0008638	HYST	471567	0029971346	MERCE	710197	0044490	HYST	415023
ZZJ111399	MAZDA	710896	0008639	HYST	471570	002PKG	TIMKE	002PKG	0044495	HYST	472144
ZZJ111399A	MAZDA	710896	0008741	HYST	470380	002R	TIMKE	002PKG	0044500	HYST	40520S
ZZL010602	MAZDA	473560N	0008748	HYST	471264	003507264C	VW	224520	0044503	HYST	472164

INTERCHANGE SECTION

COMPETITIVE INTERCHANGES

Mfr No.	Mfr.	National	Mfr No.	Mfr.	National	Mfr No.	Mfr.	National	Mfr No.	Mfr.	National
009611893LUP	JN-MN	450339	010409529D	VW	1174	01019283	CORTE	710758	01033868	CORTE	710783
00965853LA	JN-MN	451583	010409529C	AUDI	1174	01019283B	CORTE	710758	01033868B	CORTE	710783
00969744LUP	JN-MN	451583	010409529C	VW	1174	01019289	CORTE	223535	01033874	CORTE	710588
00962BRGP	SABO	223520	010409568	AUDI	3083	01019289	CORTE	711027	01033874B	CORTE	710588
00967612	ALLCH	472164	010409568	VW	3083	01019289B	CORTE	223535	01033878	CORTE	710487
0097069	HYST	413246	010409568A	VW	3083	01019289B	CORTE	711027	01033878B	CORTE	710487
0097069	HYST	413246N	010360	ELRNG	1987	01019451	CORTE	710642	01033982	CORTE	710780
00974BA	SABO	710533	010010749LPD	JN-MN	470219	01019451B	CORTE	710642	01033982B	CORTE	710780
00974GAO	SABO	710533	010010749LPD	JN-MN	471649	01019480	CORTE	710462	01034060	CORTE	710729
00985324SS	JN-MN	472324	010010751LUP	JN-MN	470120	01019480B	CORTE	710462	01034060B	CORTE	710729
00986755LPD	JN-MN	471688	010010751LUP	JN-MN	471224	010195	AVCO	473440	01034061	CORTE	713087
00987116LUP	JN-MN	470120	010010952LUP	JN-MN	471689	01019928	CORTE	3476	01034061B	CORTE	713087
00987116LUP	JN-MN	471224	010012489LUP	JN-MN	471270	01019928B	CORTE	3476	01034065	CORTE	224040
0098471	HYST	415295	010013458LUP	JN-MN	450593	01020045	CORTE	710608	01034065B	CORTE	224040
0098524	HYST	410183N	010013673LPD	JN-MN	471689	01020045B	CORTE	710608	01034130	CORTE	710743
0098643	HYST	470737N	010014058LUP	JN-MN	471224	01020381	CORTE	224250	01034130B	CORTE	710743
0098732	HYST	417503	010015668LUP	JN-MN	471649	01020381B	CORTE	224250	01034131	CORTE	710749
0098D3902	LF-PT	416047	010016447LUP	JN-MN	471270	01020536	CORTE	224052	01034131B	CORTE	710749
0098D3902	LF-PT	416332	010017694LDS	JN-MN	471224	01020536B	CORTE	224052	01034759	CORTE	100944
0099973547	MERCE	710289	01005629LPD	JN-MN	471744	01025572	CORTE	239146	01034759B	CORTE	100944
0099975347	MERCE	223535	01005700SS	JN-MN	350414	01025572B	CORTE	239146	01034860	CORTE	710751
0099975347	MERCE	711027	01005700SS	JN-MN	472311	01025573	CORTE	1992	01034860B	CORTE	710751
0099978947	MERCE	710289	01005764SS	JN-MN	471733	01025573B	CORTE	1992	01034861	CORTE	710750
009PKG	TIMKE	009PKG	01005793SS	JN-MN	471689	01025619	CORTE	473823	01034861B	CORTE	710750
009R	TIMKE	009PKG	01005986LA	JN-MN	471689	01025619B	CORTE	473823	01034936	CORTE	710325
00A103085	VW	710288	01006007LUP	JN-MN	471760	0102602	HYST	455471	01034936B	CORTE	710325
00A103085A	VW	710289	01006084LUP	JN-MN	470120	01026136	CORTE	471192	01034938	CORTE	710318
0150140	LILIS	204027	01006084LUP	JN-MN	471224	01026136B	CORTE	471192	01034938B	CORTE	710318
0109970447	MERCE	710608	01006330LPD	JN-MN	471733	01026325	CORTE	710468	01034940	CORTE	712551
0109971047	MERCE	710288	01008442SS	JN-MN	471649	01026325B	CORTE	710468	01034940B	CORTE	712551
0109974247	MERCE	716484	01008485LPD	JN-MN	470219	01026327	CORTE	710467	01035169	CORTE	710746
0109974347	MERCE	713771	01008485LPD	JN-MN	471649	01026327B	CORTE	710467	01035169B	CORTE	710746
0109974547	MERCE	713771	01008814LUP	JN-MN	471649	01026420	CORTE	200855	01035172	CORTE	710744
0109974647	MERCE	713771	01008975LPD	JN-MN	453165	01026420B	CORTE	200855	01035172B	CORTE	710744
0109974747	MERCE	710608	01008975LPD	JN-MN	471619	01027755	CORTE	1979	01035173	CORTE	710745
0109974947	MERCE	710608	01009520LUP	JN-MN	471760	01027755B	CORTE	1979	01035173B	CORTE	710745
0109975047	MERCE	710608	01009900LUP	JN-MN	471760	01028700	AJUSA	710302	01035174	CORTE	710486
0109979047	MERCE	710288	010010183LUP	JN-MN	450593	01029678	CORTE	710290	01035174B	CORTE	710486
01000100	DEXTE	440972	01001CU	CASE	473473	01029678B	CORTE	710290	01035435	CORTE	223005
01000400	DEXTE	442251	01002	WEBER	351267	01035132SS	JN-MN	481650	01035435B	CORTE	223005
01000900	DEXTE	40382	01002	WEBER	471267	01036704SS	JN-MN	471076	01036702	CORTE	710762
01001000	DEXTE	413470	010032AB	CASE	470351	01031073	CORTE	710728	01036702B	CORTE	710762
01004200	DEXTE	482126	010032AB	CASE	471504	01031073B	CORTE	710728	01037027	CORTE	710671
01004700	DEXTE	412920	01008D	CASE	471795	01031573	CORTE	710484	01037027B	CORTE	710671
01005100	DEXTE	370450A	01009859LUP	JN-MN	471224	01031573B	CORTE	710484	010392	AVCO	471689
01005101	DEXTE	370150A	0101493	THIOK	472636	01031902	CORTE	224250	01039LX	CASE	471270
01005400	DEXTE	442109	01017573	CORTE	710758	01031902B	CORTE	224250	010409529B	VW	1174
01005501	DEXTE	370025A	01017573B	CORTE	710758	01032572	CORTE	710764	01040LX	CASE	470390
01005600	DEXTE	370014A	01018030	CORTE	710589	01032572B	CORTE	710764	01056424LA	JN-MN	450043
01005800	DEXTE	417247	01018030B	CORTE	710589	01033292	CORTE	3543	01056424LA	JN-MN	473419
01006000	DEXTE	474276	01018330	CORTE	223510	01033292B	CORTE	3543	010547	AVCO	450194
01006300	DEXTE	370219A	01018330B	CORTE	223510	01033845	CORTE	710529	010547	AVCO	473010
010409085	VW	223010	010187	AVCO	40494S	01033845B	CORTE	710529	010570AB	CASE	340483
010409085D	AUDI	223010	010188	AVCO	40230S	01033858	CORTE	710651	010614672LPD	JN-MN	471735
010409085D	VW	223010	01019151	CORTE	710714	01033858B	CORTE	710651	01065723LUP	JN-MN	450342
010409085E	AUDI	223010	01019151B	CORTE	710714	01033860	CORTE	711029	01065724LPD	JN-MN	471762
010409085E	VW	223010	010192	AVCO	470548	01033860B	CORTE	711029	01066771SS	JN-MN	471705
010409255	VW	1965	010192	AVCO	470625	01033865B	CORTE	710619	01067215LUP	JN-MN	471651
010409255A	VW	1965	01019205	CORTE	1962	01033867	CORTE	710279	01069013LUP	JN-MN	450188
010409529D	AUDI	1174	01019205B	CORTE	1962	01033867B	CORTE	710279	01069276LPD	JN-MN	471705

INTERCHANGE SECTION

COMPETITIVE INTERCHANGES



Mfr No.	Mfr. National	Mfr No.	Mfr. National	Mfr No.	Mfr. National	Mfr No.	Mfr. National
010615	VICK 470328	01129848LUP	JN-MN 482208	01255026LA	JN-MN 471766	013710855LPD	JN-MN 50395S
010615	VICK 481213	01129650LPD	JN-MN 471785	01255164SS	JN-MN 471833	013711568LPD	JN-MN 472287
01061528	VICK 415442	011299	AVCO 470954	01255389LUP	JN-MN 471413	013714854LPD	JN-MN 470774
01069363LPD	JN-MN 470606	01135BR	SABO 227040	01255727LA	JN-MN 470163	013715099LUP	JN-MN 471192
010701	CHECK 5778	0115	GARLK 471579	01255727LA	JN-MN 471766	013718799LUP	JN-MN 450516
010724	CHECK 473228	01155212LUP	JN-MN 471736	01256328SS	JN-MN 470806	01373740LPD	JN-MN 473214
010724	CHECK 481837	011513	CHECK 6712NA	01258820LPD	JN-MN 471413	013740000LDS	JN-MN 473214
010727	CHECK 9912	0116	GARLK 471579	01258924LPD	JN-MN 471833	01375153SS	JN-MN 473214
010756AB	CASE 415379	011613200	EATON 415295	01259180LPD	JN-MN 450177	01375271SS	JN-MN 472258
010816AB	CASE 418028	011619	CHECK 9449	01259273LPD	JN-MN 471737	01375644LUP	JN-MN 473215
010816AB	CASE 455137	011633	CHECK 8792S	012510053LPD	JN-MN 471801	01375731LPD	JN-MN 470950
010817	CASE 418028	011641	AVCO 471870	012511193LPD	JN-MN 471795	01375731LPD	JN-MN 6241S
010817	CASE 455137	011641	AVCO 471883	01255728LUP	JN-MN 471787	01375804SS	JN-MN 472258
010817AB	CASE 418028	011810426LUP	JN-MN 471354	01255729LUP	JN-MN 471801	01375830SS	JN-MN 471192
010817AB	CASE 455137	011816465LDS	JN-MN 473205	0125663	HYST 471419	01375983LA	JN-MN 472287
010846AB	CASE 240731	011817236LUP	JN-MN 223014	0125663	HYST 473367	013760013LDS	JN-MN 473214
010876AB	CASE 470169	011818463LUP	JN-MN 473205	0125689	HYST 417350	01376369SS	JN-MN 323138
010876AB	CASE 473214	01185204LPD	JN-MN 472432	012569	AVCO 450362	01376506SS	JN-MN 471192
010889AB	CASE 415001	01185204LPD	JN-MN 474256	012570	AVCO 450070	01376528LA	JN-MN 470403
010889AB	CASE 455001	01186309SS	JN-MN 471354	012570	AVCO 472185	01376528LA	JN-MN 470774
0109000	HYST 474276	01187011LUP	JN-MN 470347	0125710	HYST 471554	01376786LA	JN-MN 450776
0109224	HYST 471744	01187011LUP	JN-MN 474254	012572	AVCO 450069	01378449SS	JN-MN 470950
010983AB	CASE 470219	01189511LPD	JN-MN 472475	012572	AVCO 473232	01378449SS	JN-MN 6241S
010983AB	CASE 471649	011810500LPD	JN-MN 474255	012574	AVCO 450352	01379080LUP	JN-MN 472354
0109956547	MERCE 1960	011810569LUP	JN-MN 474255	012574	AVCO 472164	01379080LUP	JN-MN 50395S
0109970947	MERCE 710289	011810682LPD	JN-MN 471765	01259028LUP	JN-MN 471750	01379394LUP	JN-MN 450444
0109973347	MERCE 710289	01186162LUP	JN-MN 471765	01259423LPD	JN-MN 471795	01379394LUP	JN-MN 471835
0109973447	MERCE 710289	011892	AVCO 40568S	012615054LPD	JN-MN 3476	01379733LPD	JN-MN 471276
0109976147	MERCE 223005	0119488	HYST 240698	012712	PEUGE 229005	0137174	HYST 417269
0109976247	MERCE 223005	0119975147	MERCE 239155	012723	PEUGE 229005	01378831LPD	JN-MN 471192
0109976747	MERCE 1960	0119975547	MERCE 1960	012743	CITRO 710849	0138120	HYST 472258
0109978947	MERCE 710289	0119976046	MERCE 1960	012743	PEUGE 710849	0139852	HYST 340847
010PKG	TIMKE 010PKG	0119976946	MERCE 227550	012749	CITRO 710849	0139976847	MERCE 710289
010R	TIMKE 010PKG	011PKG	TIMKE 011PKG	012749	PEUGE 710849	0139976946	MERCE 710641
0119970647	MERCE 710288	011R	TIMKE 011PKG	012751	AVCO 204008	013PKG	TIMKE 013PKG
01100BAG	SABO 8835S	0129971146	MERCE 710618	012851	AVCO 472185	013R	TIMKE 013PKG
01110800	AJUSA 710857	0129978747	MERCE 710196	012943	AVCO 471854	014311113	AUDI 222030
01119BAG	SABO 8460N	012409399B	AUDI 224520	0129936	HYST 471835	014311113	PORSC 222030
011210406LUP	JN-MN 471763	012409399B	VW 224520	012PKG	TIMKE 012PKG	014311113	VW 222030
011210616SS	JN-MN 471692	012180	ELRNG 712008	012R	TIMKE 012PKG	014311113A	AUDI 222030
011211834SS	JN-MN 472560N	012370	ELRNG 710617	0139970046	MERCE 710618	014311113A	PORSC 222030
011211834SS	JN-MN 50151S	012380	ELRNG 710759	0139972448	MERCE 710906	014311113A	VW 222030
011217691LDS	JN-MN 471692	012224	AVCO 450117	0139973846	MERCE 710905	014311113B	AUDI 222030
011217701LUP	JN-MN 471785	012224	AVCO 472572	013112210LPD	JN-MN 473422	014311113B	PORSC 222030
01125254SS	JN-MN 352560	01231AB	CASE 5M403	013112830LPD	JN-MN 473211	014311113B	VW 222030
01125254SS	JN-MN 472560N	0123270	HYST 415960	013114341LPD	JN-MN 472826	014311113F	VW 222030
01125298SS	JN-MN 470712	012367	AVCO 415088	01316134LPD	JN-MN 473213	014409399	VW 1217
01125307SS	JN-MN 471652	012367	AVCO 455088	01317109LA	JN-MN 40769S	014409399B	AUDI 1217
01125583LPD	JN-MN 471747	012401	AVCO 470358	01319630LPD	JN-MN 481834	014409399B	VW 1217
01125583LPD	JN-MN 472674	012401	AVCO 473231	0133456	HYST 471737	014409399D	AUDI 224052
01127054LUP	JN-MN 470712	012404	AVCO 3893V	0133523	HYST 455019	014409399D	VW 224052
01129065LUP	JN-MN 472954	012510058LUP	JN-MN 471766	0134717	HYST 471231	014409399G	VW 1217
01129460LUP	JN-MN 470189	012510833SS	JN-MN 40140S	013710404LUP	JN-MN 470169	014409400A	AUDI 224052
01129460LUP	JN-MN 471692	012510877SS	JN-MN 474278	013710404LUP	JN-MN 473214	01404086	ALLCH 470530
01129558LUP	JN-MN 471763	012510877SS	JN-MN 480356	013710485LUP	JN-MN 472258	0140471	HYST 415725
01129625LUP	JN-MN 471652	012511583SS	JN-MN 340356	013710524LUP	JN-MN 470950	0141149	HYST 417605
01129714LPD	JN-MN 350974	012511982LUP	JN-MN 471818	013710524LUP	JN-MN 6241S	0141671	HYST 417603
01129789LUP	JN-MN 470045	012513578LDS	JN-MN 471801	013710753LUP	JN-MN 470403	014312894SS	JN-MN 473244
01129789LUP	JN-MN 476838	012514904LDS	JN-MN 471766	013710753LUP	JN-MN 470774	014313554LUP	JN-MN 473016
01129848LUP	JN-MN 471652	01255026LA	JN-MN 470163	013710855LPD	JN-MN 472354	014319084LDS	JN-MN 3395

INTERCHANGE SECTION

COMPETITIVE INTERCHANGES

Mfr No.	Mfr.	National	Mfr No.	Mfr.	National	Mfr No.	Mfr.	National	Mfr No.	Mfr.	National
01434050LPD	JN-MN	473225	015011100LPD	JN-MN	470380	016170700	EATON	470120	016PKG	TIMKE	016PKG
01434850LPD	JN-MN	473016	015011172LPD	JN-MN	470059	016170700	EATON	471224	016R	TIMKE	016PKG
01435732LUP	JN-MN	473226	015011172LPD	JN-MN	470380	016171000	EATON	471424	0179973947	MERCE	710589
01437047LA	JN-MN	473224	0150158	HYST	470077	016210035LPD	JN-MN	473232	0179977447	MERCE	710288
01437216LUP	JN-MN	473224	0150158	HYST	474281	016210060LPD	JN-MN	450194	017525275B	AUDI	224052
01437346LPD	JN-MN	470062	0150194	HYST	415867	016210060LPD	JN-MN	473010	01710BAG	SABO	1177
01437346LPD	JN-MN	474264	015077	AVCO	471224	016212007LPD	JN-MN	450066	01722N	CASE	415007
01439181LUP	JN-MN	3395	0152848	HYST	417480	016212007LPD	JN-MN	473367	017304550001	JOY	415138
01439454LPD	JN-MN	473225	0152863	HYST	416278	016213517LDS	JN-MN	471419	017304550003	JOY	455576
0143040	HYST	415498	0152883	HYST	416888	016213517LDS	JN-MN	473367	0174277	HYST	412473
014409399A	AUDI	1217	015326	AVCO	471958	016217687LDS	JN-MN	473231	0174277	HYST	415894
0145752	HYST	471267	0153716	HYST	200885	016217745LUP	JN-MN	481864	017510380LUP	JN-MN	450070
0145753	HYST	471224	015516103	MAZDA	223012	01623965LPD	JN-MN	450194	017510380LUP	JN-MN	472185
014610055LPD	JN-MN	470548	0155346	HYST	417343	01623965LPD	JN-MN	473010	017511241LPD	JN-MN	473313
014610055LPD	JN-MN	470625	0155402	HYST	J1111	016240043LDS	JN-MN	473231	017511518LPD	JN-MN	473237
014611809LUP	JN-MN	450523	0155403	HYST	442109	01626001LA	JN-MN	470358	017511822SS	JN-MN	473237
01464193LUP	JN-MN	473439	0155577	HYST	471538	01626001LA	JN-MN	473231	017512006LPD	JN-MN	470334
01464193LPD	JN-MN	473439	015610190LPD	JN-MN	476510	01626056LUP	JN-MN	450194	017513852LDS	JN-MN	472179
014848	AVCO	471082	015611514LPD	JN-MN	471827	01626056LUP	JN-MN	473010	017514621LDS	JN-MN	472185
014911427LUP	JN-MN	480630	015614019LUP	JN-MN	472299	01626419SS	JN-MN	473231	017514849LPD	JN-MN	472164
01499643LPD	JN-MN	480630	015615198LPD	JN-MN	473229	01626509LA	JN-MN	450069	017514975LPD	JN-MN	472164
0149975046	MERCE	710714	015615770LDS	JN-MN	473229	01626509LA	JN-MN	473232	017515557LUP	JN-MN	472164
0149977046	MERCE	710289	015617486LUP	JN-MN	472299	01627073LUP	JN-MN	470358	017516371LUP	JN-MN	471141
0149979947	MERCE	711028	01563876LUP	JN-MN	473229	01627073LUP	JN-MN	473231	017517757LDS	JN-MN	472179
014PKG	TIMKE	014PKG	01565536LUP	JN-MN	450185	01627365LUP	JN-MN	450066	017518036LUP	JN-MN	471141
014R	TIMKE	014PKG	01565536LUP	JN-MN	473229	01627365LUP	JN-MN	473367	017518419LDS	JN-MN	471831
0159971246	MERCE	224250	01565627LPD	JN-MN	470682	01629636LUP	JN-MN	473232	017519062LDS	JN-MN	472164
0159975447	MERCE	710587	01566836LUP	JN-MN	472213	01629849LUP	JN-MN	450078	01754465LUP	JN-MN	472179
0159977947	MERCE	710587	01569445LPD	JN-MN	470064	01629849LUP	JN-MN	473444	01755597LUP	JN-MN	472185
0159978047	MERCE	710587	01569445LPD	JN-MN	471821	016210405LPD	JN-MN	474274	01755772LUP	JN-MN	470334
0159978147	MERCE	710587	0156042	HYST	413247	016316103	MAZDA	222430	01755993SS	JN-MN	450400
015010172LPD	JN-MN	470548	0156200	HYST	416229	016321	JOHND	471466	01758461LUP	JN-MN	470088
015010172LPD	JN-MN	470625	0156205	HYST	471424	0163871	HYST	415086N	01758887LUP	JN-MN	473448
015011272SS	JN-MN	340136	0156220	HYST	415897	0163871	HYST	417487	01759076LPD	JN-MN	471984
015011654LUP	JN-MN	481163	0156223	HYST	415458	0163912	HYST	471869	01759077LPD	JN-MN	472185
015012184LUP	JN-MN	5115	0156234	HYST	416339	0163912	HYST	473459	01759710LUP	JN-MN	470334
015012294LPD	JN-MN	473440	01565542LPD	JN-MN	455655	0164639	HYST	JV1166	01759799LPD	JN-MN	470351
015014618LDS	JN-MN	473228	015711302LPD	JN-MN	482253	01647311	GMC	710263	01759799LPD	JN-MN	471504
015015143LDS	JN-MN	470077	015711498LPD	JN-MN	482253	0167176	HYST	417602	01759854LUP	JN-MN	450494
015015143LDS	JN-MN	474281	015714577LPD	JN-MN	224025	016810054LUP	JN-MN	473234	01759854LUP	JN-MN	472164
01505414LUP	JN-MN	410190	015717405LUP	JN-MN	224025	016810250LUP	JN-MN	450154	01759947LUP	JN-MN	450291
01505619SS	JN-MN	473228	0157884	HYST	417316	016810250LUP	JN-MN	473234	01759947LUP	JN-MN	471141
01505696LUP	JN-MN	470077	0159178	HYST	416130	016811015LPD	JN-MN	470086	01759955LUP	JN-MN	450183
01505696LUP	JN-MN	474281	0159295	HYST	45637S	016815767LDS	JN-MN	473234	01759955LUP	JN-MN	472179
01505734LUP	JN-MN	473440	0159572	HYST	416624	016816241LUP	JN-MN	473235	01751BRG	SABO	712009
01505821SS	JN-MN	470625	0159970147	MERCE	711028	016816467LDS	JN-MN	473235	01766234LA	JN-MN	6936S
01506679LUP	JN-MN	473227	0159971447	MERCE	710758	01685669LA	JN-MN	450154	0176364	HYST	471138
01507033LUP	JN-MN	470625	0159974647	MERCE	711028	01685669LA	JN-MN	473234	017711499LUP	JN-MN	50266
01509041LUP	JN-MN	450067	0159975647	MERCE	711028	01685690LPD	JN-MN	473445	017718375LUP	JN-MN	1979
01509041LUP	JN-MN	473228	015PKG	TIMKE	015PKG	016860023LDS	JN-MN	473235	017718539LDS	JN-MN	1979
01509056LUP	JN-MN	451857	015R	TIMKE	015PKG	016860026LDS	JN-MN	473235	01776226LA	JN-MN	450285
01509483LPD	JN-MN	473228	0169979747	MERCE	710288	01686122LUP	JN-MN	470074	017713066LPD	JN-MN	224570
01509831LPD	JN-MN	481163	016409399B	AUDI	224520	01686122LUP	JN-MN	474265	017717392LUP	JN-MN	1012N
01509952LUP	JN-MN	450067	016409399B	PORSC	224520	01687031LUP	JN-MN	470074	017812678LPD	JN-MN	452742
01509952LUP	JN-MN	473228	016409399B	SEAT	224520	01687031LUP	JN-MN	474265	0178345	HYST	415294
015000	AVCO	473227	016409399B	VW	224520	01687048LPD	JN-MN	473233	0179177	ALLCH	455655
0150006	LILIS	200354	0161003	LILIS	473236	01688815LUP	JN-MN	473233	0179603	HYST	417545
015001	AVCO	472394	0161014	LILIS	450452	01688861SS	JN-MN	473236	0179633	HYST	415962
0150030	HYST	410190	0161014	LILIS	473197	01689395LUP	JN-MN	473236	01796432	ALLCH	415023
015011100LPD	JN-MN	470059	016168500	EATON	410752	01689935SS	JN-MN	473235	01797372	ALLCH	352541

INTERCHANGE SECTION

COMPETITIVE INTERCHANGES



Mfr No.	Mfr.	National	Mfr No.	Mfr.	National	Mfr No.	Mfr.	National	Mfr No.	Mfr.	National
0179975547	MERCE	224068	0191683SL	TRSCM	8059S	01N498085	AUDI	224520	027076255	WHITE	370037A
017PKG	TIMKE	017PKG	01918N	CASE	450311	01N498085	VW	224520	027076255	WHITE	370338A
017R	TIMKE	017PKG	0192239	HYST	JV933	01T4676A	FORD	473215	027076258	WHITE	370025A
0189970347	MERCE	713771	019310527LPD	JN-MN	473461	01T4676A2	FORD	473215	027076258	WHITE	380025A
0189970447	MERCE	710608	019310949LUP	JN-MN	450094	01T4676A3	FORD	473215	027076258	WHITE	386025A
018321243	AUDI	224010	019310949LUP	JN-MN	473462	01T4676A4	FORD	473215	027076259	WHITE	370025A
018321243	VW	224010	019311535LPD	JN-MN	473460	01T4813	FORD	450307	027076259	WHITE	380025A
018409399	AUDI	224520	019313579LDS	JN-MN	471869	01T4813A	FORD	410308	027076259	WHITE	386025A
018409399	VW	224520	019313579LDS	JN-MN	473459	01T4813A	FORD	450308	027076260	WHITE	370036A
018409399B	AUDI	224052	019315634LDS	JN-MN	472394	01V409399A	AUDI	224052	027076260	WHITE	370037A
018409399B	VW	224052	019316719LDS	JN-MN	472144	01V409399A	VW	224052	027076260	WHITE	370338A
018113922LDS	JN-MN	473450	019316984LUP	JN-MN	471869	01Y1190A	FORD	5827	027076260	WHITE	370349A
018115020LPD	JN-MN	472020	019316984LUP	JN-MN	473459	01Y1190A1	FORD	5827	027076260	WHITE	380036A
01815630LUP	JN-MN	473449	01933556LUP	JN-MN	471195	01Y4676A	FORD	470163	027076261	WHITE	370036A
01815988LA	JN-MN	450090	01933556LUP	JN-MN	481195	01Y4676A	FORD	471766	027076261	WHITE	370037A
01819168LPD	JN-MN	472070	01935128LPD	JN-MN	450094	01Y4676A1	FORD	470163	027076261	WHITE	370338A
01814BRG	SABO	1965	01935128LPD	JN-MN	473462	01Y4676A1	FORD	471766	027076261	WHITE	370349A
0181692	HYST	416921	01935276LA	JN-MN	471391	0201244P1	MERIX	370001A	027076261	WHITE	380036A
0181737	HYST	471766	01935737LUP	JN-MN	472394	0201244P1	MERIX	380001A	027076262	WHITE	370036A
0182614	HYST	471341	01937347LPD	JN-MN	472394	0201244P1	ROCKW	370001A	027076262	WHITE	370037A
01848510LUP	JN-MN	473453	01938443LPD	JN-MN	472319	0201244P1	ROCKW	380001A	027076262	WHITE	370338A
0184926	HYST	415138	01939396LPD	JN-MN	450094	027003943	WHITE	370003A	027076262	WHITE	370349A
0184947	HYST	416556	01939396LPD	JN-MN	473462	027003943	WHITE	380003A	027076262	WHITE	380036A
0184947	HYST	472157	01939596LPD	JN-MN	473241	027021377	WHITE	370003A	027076264	WHITE	370065A
018710507	MAZDA	224020	01939626LPD	JN-MN	472144	027021377	WHITE	380003A	027076264	WHITE	376590A
018710507A	MAZDA	224020	0193210	HYST	417362	027021378	WHITE	370023A	027076264	WHITE	380065A
018710507B	MAZDA	224020	01935826LPD	JN-MN	472439	027021378	WHITE	380023A	027076265	WHITE	370007A
018712407LPD	JN-MN	473238	0193796	HYST	415988	027022919	WHITE	370001A	027076266	WHITE	370007A
018712528LPD	JN-MN	472572	01942BRGP	SABO	3476	027022919	WHITE	380001A	027076267	WHITE	370007A
018714905LDS	JN-MN	472439	01943BAGEP	SABO	2955	027073109	WHITE	370065A	027076268	WHITE	370007A
018716012LUP	JN-MN	473239	01945BRGS	SABO	228480	027073109	WHITE	376590A	027076269	WHITE	370001A
018717670LDS	JN-MN	473238	019611837LPD	JN-MN	450389	027073109	WHITE	380065A	027076269	WHITE	380001A
018717793LUP	JN-MN	472439	019611837LPD	JN-MN	472492	027073176	WHITE	370036A	027076270	WHITE	370001A
01875576SS	JN-MN	414045	01965466LPD	JN-MN	450095	027073176	WHITE	370349A	027076270	WHITE	380001A
01875750LA	JN-MN	450117	01965466LPD	JN-MN	473464	027073176	WHITE	380036A	027076274	WHITE	370036A
01875750LA	JN-MN	472572	01966666LA	JN-MN	450474	027074117	WHITE	370065A	027076274	WHITE	370349A
01875773LA	JN-MN	414045	01968864LPD	JN-MN	450474	027074117	WHITE	376590A	027076274	WHITE	380036A
01875826LPD	JN-MN	472439	01969397LUP	JN-MN	450472	027074117	WHITE	380065A	027104674	WHITE	370003A
01876727LA	JN-MN	450082	0196069	HYST	411245	027074741	WHITE	370012A	027104674	WHITE	380003A
01876727LA	JN-MN	473238	0196071	HYST	417352	027074742	WHITE	370057A	027108334	WHITE	370030A
01876936LPD	JN-MN	473238	0196071	HYST	418028	027074743	WHITE	370023A	027108900	WHITE	370003A
01878989LUP	JN-MN	450084	0196072	HYST	J1122	027074743	WHITE	380023A	027108900	WHITE	380003A
01879189LPD	JN-MN	450117	01962984	ALLCH	415142	027074744	WHITE	370036A	027109090	WHITE	370025A
01879189LPD	JN-MN	472572	01964956	ALLCH	416339	027074744	WHITE	370349A	027109090	WHITE	380025A
01879190LPD	JN-MN	473240	0198291	HYST	417349	027074744	WHITE	380036A	027109090	WHITE	386025A
01879550LUP	JN-MN	472439	01989086	ALLCH	415725	027074745	WHITE	370036A	027109091	WHITE	370025A
01879694SS	JN-MN	473238	0199979647	MERCE	223010	027074745	WHITE	370349A	027109091	WHITE	380025A
01880BAGE	SABO	4564V	0199971947	MERCE	710289	027074745	WHITE	380036A	027109091	WHITE	386025A
0188856	HYST	415035	019PKG	TIMKE	019PKG	027074750	WHITE	370007A	027128839	WHITE	370003A
0188856	HYST	415953	019R	TIMKE	019PKG	027074803	WHITE	370001A	027128839	WHITE	380003A
01899	SABO	2146	01F321243	AUDI	710484	027074803	WHITE	380001A	02001270	NOVO	415449
0189971947	MERCE	710289	01F321243	VW	710484	027074815	WHITE	370037A	02001270	NOVO	455147
0189975247	MERCE	710289	01F321835	AUDI	221207	027074815	WHITE	370338A	020301189F	VW	474288
0189977947	MERCE	223005	01F321835	VW	221207	027074960	WHITE	370030A	020301189G	AUDI	710651
018PKG	TIMKE	018PKG	01F409399	AUDI	710794	027075003	WHITE	370012A	020301189G	VW	474288
018R	TIMKE	018PKG	01F409399	VW	710794	027075348	WHITE	370025A	020301189G	VW	710651
0199970947	MERCE	710467	01F409400	AUDI	1012N	027075348	WHITE	380025A	020301189H	AUDI	710651
0199973647	MERCE	710467	01F409400	AUDI	710934	027075348	WHITE	386025A	020301189H	VW	710651
0199973747	MERCE	710467	01F409400	VW	1012N	027076252	WHITE	370065A	020301189L	AUDI	710529
0199978847	MERCE	710758	01F409400	VW	710934	027076252	WHITE	380065A	020301189M	AUDI	710651

INTERCHANGE SECTION

COMPETITIVE INTERCHANGES

Mfr No.	Mfr.	National	Mfr No.	Mfr.	National	Mfr No.	Mfr.	National	Mfr No.	Mfr.	National
020301189M	VW	710651	02009736LPD	JN-MN	471424	020674500	EL-WH	203020	021611569LPD	JN-MN	450621
020301189N	AUDI	710651	02001	BRAD	470027	02068BRG	SABO	1217	02178BRAG	SABO	714436
020301189N	VW	710651	02001	BRAD	471554	02068BRGP	SABO	1217	02178BRAGS	SABO	1108
020301189R	AUDI	710651	02001	WEBER	470027	020708000	EL-WH	410102	02178BRGS	SABO	714436
020301189R	VW	710651	02001	WEBER	471554	020712000	EL-WH	473239	0217985	HYST	J1121
020301189S	AUDI	710651	02001350	AM MA	418028	020727100	EL-MO	455079	021811055LUP	JN-MN	470354
020301189S	VW	710651	02001350	AM MA	455137	020727100	EL-WH	455079	021811515LPD	JN-MN	473471
020301189T	AUDI	710651	02003	BRAD	450183	02075BRE	SABO	222030	021811696LPD	JN-MN	412943
020301189T	VW	710651	02003	BRAD	472179	0208348	HYST	450400	021812364LPD	JN-MN	472020
020311113	AUDI	222240	02004	BRAD	472179	0208814	HYST	415090	021814970LPD	JN-MN	473244
020311113	VW	222240	0200446	HYST	410825	0209090	HYST	470351	021818426LUP	JN-MN	470354
020311113A	AUDI	222240	0200490	HYST	415854	020PKG	TIMKE	020PKG	021819146LDS	JN-MN	416268
020311113A	VW	222240	02005	BRAD	471801	020R	TIMKE	020PKG	02184976LPD	JN-MN	472234
020311113B	AUDI	222240	02006BAG	SABO	223035	0219974947	MERCE	710462	02185632LPD	JN-MN	413472
020311113B	VW	222240	02007	WEBER	240009	0219975547	MERCE	710462	02188873LPD	JN-MN	473245
020489085	VW	474288	02007D	BRAD	240009	021103051	AUDI	716102	02189398LUP	JN-MN	473243
020498085F	VW	1209	02009858LUP	JN-MN	471424	021103051	VW	716102	0219971847	MERCE	710289
020498189E	AUDI	710651	02010	WEBER	472258	021103051A	AUDI	716102	0219977647	MERCE	710289
020498189E	VW	710651	02011	WEBER	351487	021103051A	BENTL	716102	021PKG	TIMKE	021PKG
020498189G	AUDI	710651	020118000	EL-WH	204035	021103051A	ROLLS	716102	021R	TIMKE	021PKG
020498189G	VW	710651	02012	WEBER	450431	021103051A	VW	716102	0229977547	MERCE	710484
020010207LUP	JN-MN	471870	02012	WEBER	471539	021103051C	AUDI	716102	0229977247	MERCE	221207
020010207LUP	JN-MN	471883	02013	WEBER	450066	021103051C	VW	716102	022160	ELRNG	223012
020010551SS	JN-MN	331107N	02013	WEBER	473367	021105245B	AUDI	227530	022170	ELRNG	223420
020010618SS	JN-MN	40301S	02015	WEBER	450352	021105245B	VW	227530	022918	ELRNG	716484
020010755LPD	JN-MN	450389	02015	WEBER	472164	021105245C	PORSC	227530	022110502A	MAZDA	1994
020010755LPD	JN-MN	472492	02016	WEBER	450030	021105247A	PORSC	224252	022110602	MAZDA	710313
020010757LPD	JN-MN	450301	02016	WEBER	474253	021105247A	VW	224252	022110602A	MAZDA	710313
020010757LPD	JN-MN	472397	02017	WEBER	471558	02110547B	VW	224250	022110602B	MAZDA	710313
020010834SS	JN-MN	472492	02018	WEBER	343185	02110547B	VW	224252	0223124SE48HM	AM BO	471255
020011018LUP	JN-MN	450301	020213000	EL-WH	204038	0210108	HYST	471689	022510301LUP	JN-MN	411253
020011018LUP	JN-MN	472397	02023	WEBER	340120	02105CS	CASE	417262	022510301LUP	JN-MN	450099
020011174SS	JN-MN	40410S	02024	WEBER	350909	02105CS	CASE	455448	022510418LUP	JN-MN	450316
020011240LPD	JN-MN	450095	02024	WEBER	471224	021105245C	VW	227530	022510418LUP	JN-MN	472636
020011240LPD	JN-MN	473464	02025	WEBER	240735	021105247	PORSC	224252	022510432LUP	JN-MN	410520
020011551LUP	JN-MN	450389	02026	WEBER	481443	021210253LUP	JN-MN	473243	022510432LUP	JN-MN	471272
020011551LUP	JN-MN	472492	02026549	BORGW	J1124	021210259LUP	JN-MN	450365	022510513LUP	JN-MN	410737
020011855LDS	JN-MN	471424	020293900	EL-WH	204017	021210259LUP	JN-MN	470898	022510513LUP	JN-MN	450737
020011970SS	JN-MN	40410S	02035221LA	JN-MN	450307	021210756LUP	JN-MN	450115	022510623SS	JN-MN	40316S
020012164SS	JN-MN	487945	02031	WEBER	471567	021210756LUP	JN-MN	473467	022510959LPD	JN-MN	415254
020012638LPD	JN-MN	55524	02031909	BORGW	415938	021210911LPD	JN-MN	413470	022510982LPD	JN-MN	411253
020013571LPD	JN-MN	471424	02032	MAGAM	471224	021211522LPD	JN-MN	410308	022510982LPD	JN-MN	450099
020013587LPD	JN-MN	471870	02034	MAGAM	240151	021211522LPD	JN-MN	450308	022512842LDS	JN-MN	471272
020013587LPD	JN-MN	471883	02039CS	CASE	450519	021211981LPD	JN-MN	416267	022513316LDS	JN-MN	472636
020014154LPD	JN-MN	472924	02039CS	CASE	471271	021214002LDS	JN-MN	6879H	022515889LUP	JN-MN	411376
020015558LUP	JN-MN	450446	02051VM	TRSCM	343104	021214619LDS	JN-MN	472016	022516268SS	JN-MN	411253
020015729LDS	JN-MN	472397	0205275	EL-WH	291099	021216452LUP	JN-MN	472016	022517113LUP	JN-MN	472636
020017688LDS	JN-MN	471424	020543400	EL-WH	204029	021217178LDS	JN-MN	472409	022518412LDS	JN-MN	415259
02002470LPD	JN-MN	412027	020543400	EL-WH	204507	021217952LUP	JN-MN	415349	02256013SS	JN-MN	473473
02005144LUP	JN-MN	412028	020610474LUP	JN-MN	450307	02124587LUP	JN-MN	450639	02256296LA	JN-MN	410737
02005892LPD	JN-MN	410102	020610701LPD	JN-MN	416738	02126081SS	JN-MN	410308	02256296LA	JN-MN	470737
02007361LPD	JN-MN	473463	020610701LPD	JN-MN	450096	02126081SS	JN-MN	473468	02256336LUP	JN-MN	472636
02008858LPD	JN-MN	410102	020610860LUP	JN-MN	472012	02126113LPD	JN-MN	450365	02258493LPD	JN-MN	471138
02009020LPD	JN-MN	473242	020611014LPD	JN-MN	450313	02126113LPD	JN-MN	470898	02258494LPD	JN-MN	471138
02009043LUP	JN-MN	450301	020612163LPD	JN-MN	472012	02126292SS	JN-MN	472016	02258495LPD	JN-MN	415254
02009043LUP	JN-MN	472397	020616533LUP	JN-MN	451948	02126941LA	JN-MN	455080	02258991LUP	JN-MN	411376
02009120LUP	JN-MN	472492	020617054LUP	JN-MN	450307	02128462LPD	JN-MN	410312N	02258991LUP	JN-MN	455093
02009652LUP	JN-MN	470530	02065022LUP	JN-MN	473466	0213066	HYST	343186	02259218LPD	JN-MN	473473
02009653LPD	JN-MN	450083	02065145LUP	JN-MN	450311	02142BRGF	SABO	3476	02259686LPD	JN-MN	412920
02009653LPD	JN-MN	472924	02065571LPD	JN-MN	450311	02145BRG	SABO	712008	02259686LPD	JN-MN	450132

INTERCHANGE SECTION

COMPETITIVE INTERCHANGES



Mfr No.	Mfr.	National	Mfr No.	Mfr.	National	Mfr No.	Mfr.	National	Mfr No.	Mfr.	National
02259715LUP	JN-MN	415259	0239978447	MERCE	710289	025613768LUP	JN-MN	417481	02628505LPD	JN-MN	415007
02264BRG	SABO	710232	023PKG	TIMKE	023PKG	02566869LUP	JN-MN	415988	02629452LPD	JN-MN	412871
02264BRGF	SABO	710232	023R	TIMKE	023PKG	02569188LPD	JN-MN	415302	02629452LPD	JN-MN	450329
022818810LUP	JN-MN	225875	0249975347	MERCE	221207	02561	CHECK	8160S	02629056LUP	JN-MN	451857
02283BRGEF	SABO	716102	02400300	CHRY	7300S	02572500	EL-WH	291099	0264589	HYST	417181
02284BD	CASE	470548	0240912	HYST	415138	02585110V	EATON	410102	0265383	HYST	41461S
02284BD	CASE	470625	0240913	HYST	417362	0258511AM	EATON	470548	02656BRA	SABO	710279
02288	SABO	3543	02415BAG	SABO	8974S	0258511AM	EATON	470625	02658BRG	SABO	710538
0229979747	MERCE	710588	024311143LUP	JN-MN	411245	0258511BF	EATON	470351	02662BR	SABO	228009
022PKG	TIMKE	022PKG	024311143LUP	JN-MN	455096	0258511BF	EATON	471504	0266728	HYST	200912
022R	TIMKE	022PKG	024311660LPD	JN-MN	412040	0258511BR	EATON	416556	02671	CHECK	6988H
0239973147	MERCE	710764	02436432LUP	JN-MN	417073	0258511BR	EATON	472157	0267538	HYST	415447
0239975447	MERCE	224250	02439171LUP	JN-MN	471887	0258511BV	EATON	415074	0268911	HYST	417541
0239978747	MERCE	224250	02439374LUP	JN-MN	417073	0258511RR	EATON	450301	026PKG	TIMKE	026PKG
023530	ELRNG	224650	02439825LUP	JN-MN	450104	0258511RR	EATON	472397	026R	TIMKE	026PKG
023590	ELRNG	711002	024410120LUP	JN-MN	412040	0259805	HYST	J1117	027021808	WHITE	370001A
023640	ELRNG	482041N	02449619	ALLCH	473215	0259971647	MERCE	710588	027021808	WHITE	380001A
023940	ELRNG	710600	02449BRG	SABO	712449	025PKG	TIMKE	025PKG	02702BRAG	SABO	228008
023115065LUP	JN-MN	442874	02449BRGF	SABO	712449	025R	TIMKE	025PKG	02702BRAGF	SABO	228008
023116535LUP	JN-MN	472150	02469260	ALLCH	471268N	026103085F	VW	3476	0270501	EIMCO	473016
023117817LUP	JN-MN	472150	0248630	HYST	472015	026103051A	AUDI	716102	027074962	WHITE	370003A
02319149LUP	JN-MN	411394	024911399	MAZDA	227020	026103051A	SEAT	716102	027074962	WHITE	380003A
02319149LUP	JN-MN	450317	024PKG	TIMKE	024PKG	026103051B	AUDI	716102	027089859	WHITE	415164N
02317BRAGF	SABO	710824	024R	TIMKE	024PKG	026103051B	SEAT	716102	0271	INTDE	415379
0231950	HYST	416288	025105249	VW	224840	026103051B	VW	716102	0271	INTDE	455379
0232220	HYST	471765	025105249A	VW	224840	026103085	AUDI	3476	02710	INTDE	472439
02349750LUP	JN-MN	417480	025010036LPD	JN-MN	455079	026103085	VW	3476	02710101	EIMCO	473243
02349750LUP	JN-MN	455860	025010121LUP	JN-MN	415449	026103085D	AUDI	3476	02710201	EIMCO	470548
0234003	HYST	471281	025010121LUP	JN-MN	455147	026103085D	VW	3476	02710201	EIMCO	470625
0234047	HYST	412119	025010184LUP	JN-MN	472029	026103085E	AUDI	3476	02711	INTDE	411394
023510	EVERS	JV933	025010208LUP	JN-MN	415449	026103085E	SEAT	3476	02711	INTDE	450317
0235430	HYST	417344	025010345LPD	JN-MN	410496	026103085E	VW	3476	02712	INTDE	450316
023611453LPD	JN-MN	412119	025010619SS	JN-MN	415449	026103085F	AUDI	3476	02712	INTDE	472636
023611453LPD	JN-MN	450101	025010797LUP	JN-MN	470605	026103085F	SEAT	3476	02713	INTDE	450104
023609	PEUGE	1172	025011167LPD	JN-MN	415001	026103085F	SKODA	3476	02713CK	CASE	480210
023616	PEUGE	223520	025011167LPD	JN-MN	455001	026103085J	AUDI	3476	02714	INTDE	415449
023614643LPD	JN-MN	226020	025014620LDS	JN-MN	415449	026790	ELRNG	710849	02714	INTDE	455147
0236836	HYST	J1126	025015566LDS	JN-MN	471271	02600BRAGF	SABO	710237	02715	INTDE	415302
0236939	EATON	470077	025016933LUP	JN-MN	415449	02604BRGF	SABO	3909	02716	INTDE	415458
0236939	EATON	474281	025018720LUP	JN-MN	472029	0260666	HYST	416892	02716	INTDE	455003
023711875LPD	JN-MN	413246	02505542LPD	JN-MN	455655	026103051A	VW	716102	02717	INTDE	417344
023711875LPD	JN-MN	413246N	02505598LUP	JN-MN	415001	026210050LUP	JN-MN	415458	02717	INTDE	455006
023713315LDS	JN-MN	416271	02505744LUP	JN-MN	455079	026210050LUP	JN-MN	455003	02718	INTDE	455151
023715457LPD	JN-MN	412861	02506924LA	JN-MN	415001	026210910LPD	JN-MN	415483	02719	INTDE	417487
023716536LUP	JN-MN	410825	02506924LA	JN-MN	455001	026210910LPD	JN-MN	455368	02719	INTDE	455014
023740042LDS	JN-MN	416271	02507027LA	JN-MN	415082	026211017LUP	JN-MN	415483	0272	INTDE	417356
02375931LUP	JN-MN	416071	02508496LPD	JN-MN	410496	026211833LPD	JN-MN	417079	0272	INTDE	455188
02376071LA	JN-MN	412119	02508497LUP	JN-MN	455655	026213858LDS	JN-MN	415483	02720401	EIMCO	472319
02376071LA	JN-MN	450101	02508865LPD	JN-MN	415001	026214831LDS	JN-MN	415007	02720502	EIMCO	450519
02376879LA	JN-MN	473475	02508865LPD	JN-MN	455001	026216636LUP	JN-MN	415483	02720502	EIMCO	471271
02379144LPD	JN-MN	413247	02509751LUP	JN-MN	450519	026218914LUP	JN-MN	412871	02721	INTDE	418028
02379144LPD	JN-MN	450350	02509751LUP	JN-MN	471271	026218914LUP	JN-MN	450329	02721	INTDE	455137
02379319LUP	JN-MN	416271	02509790LUP	JN-MN	471271	02624220LPD	JN-MN	415458	02722	INTDE	415711
02379409LUP	JN-MN	413247	02509863LPD	JN-MN	416273	02624840LA	JN-MN	417082	02723	INTDE	415187
02379409LUP	JN-MN	450350	02505	CHECK	240816	02625745LUP	JN-MN	417343	027233	BL-KN	473215
02379546LUP	JN-MN	470565	02511BRAG	SABO	712511	02626235LPD	JN-MN	417343	02724	INTDE	416137
02370BRAGE	SABO	710616	02511BRAGF	SABO	712511	02626883LA	JN-MN	413248	02725	INTDE	450115
02373BRG	SABO	710762	02516BRGE	SABO	710211	02627110LUP	JN-MN	415458	02725	INTDE	473467
0239975347	MERCE	710714	02524BRAGF	SABO	228008	02627110LUP	JN-MN	455003	02726	INTDE	416107
0239976247	MERCE	710714	02525BRAGF	SABO	710399	02628468LUP	JN-MN	410708	02726	INTDE	455073

INTERCHANGE SECTION

COMPETITIVE INTERCHANGES

Mfr No.	Mfr.	National	Mfr No.	Mfr.	National	Mfr No.	Mfr.	National	Mfr No.	Mfr.	National
02728	INTDE	417548	02750301	EIMCO	476838	028PKG	TIMKE	028PKG	02M409189B	VW	710651
02729	INTDE	416666	02750302	EIMCO	471887	028R	TIMKE	028PKG	02RM11604004	TROS	471255
0273	INTDE	415196	02750502	EATON	471887	029105245	PORSC	227530	02_7074450	WHITE	370003A
02730301	EIMCO	415035	0275067	HYST	470543	029105245	VW	227530	02_7074450	WHITE	380003A
02730301	EIMCO	455035	0275067	HYST	474272	029105245A	PORSC	227530	0301340	KEN	5M466
02730501	EIMCO	418028	0276	INTDE	416865	029105245A	VW	227530	0302760	KEN	411253
02730501	EIMCO	455137	0276	INTDE	455070	029105245B	AUDI	227530	0302760	KEN	450099
02731	INTDE	417316	0276603	HYST	417366	029105245B	VW	227530	0302840	KEN	370036A
02731	INTDE	455004	0276983	HYST	413479	02925BRAGF	SABO	716102	030103085A	AUDI	3476
02732	INTDE	417343	0277	INTDE	415645	029311308LPD	JN-MN	417159	030103085A	SEAT	3476
02733	INTDE	473412	0277	INTDE	455104	029313954LPD	JN-MN	417486	030103085A	SKODA	3476
02734	INTDE	472234	02777BRAS	SABO	710788	02934183LPD	JN-MN	35949N	030103085A	VW	3476
02735	INTDE	450298	0278	INTDE	415072	02935770LUP	JN-MN	416654	030010249LPD	JN-MN	417351
02735	INTDE	473239	0279	INTDE	450070	02936041LA	JN-MN	416654	030010249LPD	JN-MN	455154
02736	INTDE	415991	0279	INTDE	472185	02936041LA	JN-MN	455012	030011074LUP	JN-MN	415836
02736	INTDE	455146	02794BRAGF	SABO	710613	02936108LUP	JN-MN	416956	030011074LUP	JN-MN	415995
02737	INTDE	417356	0279522	HYST	470682	02939543LPD	JN-MN	416654	030011830LUP	JN-MN	415086N
02737	INTDE	455188	027PKG	TIMKE	027PKG	02939543LPD	JN-MN	455012	030011830LUP	JN-MN	417487
02738	INTDE	415045	027R	TIMKE	027PKG	02939707LPD	JN-MN	455356	030013414LUP	JN-MN	417349
0274	INTDE	416888	028103086	AUDI	3476	02939815LPD	JN-MN	416654	030013804LPD	JN-MN	453182
0274	INTDE	455200	028103086	VW	3476	02939815LPD	JN-MN	455012	030015153LPD	JN-MN	417350
02740501	EIMCO	415683	028103086A	AUDI	3476	029315174LPD	JN-MN	416500	030015910LDS	JN-MN	415836
027510044LPD	JN-MN	416706	028103086A	VW	3476	029513979SSW	JN-MN	200322	030015910LDS	JN-MN	415995
027510044LPD	JN-MN	455272	028103171	AUDI	710848	029515089LPD	JN-MN	227550	030016743LPD	JN-MN	453182
027510304LPD	JN-MN	415960	028103171	VW	710848	029563	ALLCH	417181	03004360LPD	JN-MN	415088
027510304LPD	JN-MN	455009	028103171B	AUDI	710848	02969399LPD	JN-MN	415281N	03005104LPD	JN-MN	415836
027510364LPD	JN-MN	416664	028103171B	VW	710848	0296842	HYST	415234	03005104LPD	JN-MN	415995
027510364LPD	JN-MN	455364	028103171D	AUDI	710848	02999998LPD	JN-MN	415995	03005961LUP	JN-MN	417349
027510635LDS	JN-MN	416664	028103171D	VW	710848	02999998LPD	JN-MN	455013	03006073LUP	JN-MN	417487
027510761LPD	JN-MN	417316	028103171K	AUDI	710848	029PKG	TIMKE	029PKG	03006073LUP	JN-MN	455014
027510761LPD	JN-MN	455004	028103171K	VW	710848	029R	TIMKE	029PKG	03006423LUP	JN-MN	415995
027511420SS	JN-MN	417484N	028011	BENDI	450067	02A301189	AUDI	224040	03006423LUP	JN-MN	455013
027511420SS	JN-MN	455322	028011	BENDI	473228	02A301189	VW	224040	03008506LPD	JN-MN	417488
027511894LPD	JN-MN	416664	028111148LPD	JN-MN	417485	02A301227	AUDI	711029	03009004LPD	JN-MN	455019
027511894LPD	JN-MN	455364	028111558LUP	JN-MN	455005	02A301227	VW	711029	03009045LUP	JN-MN	415995
027512494LPD	JN-MN	415984	028118778LUP	JN-MN	475384	02A301227A	AUDI	711029	03009045LUP	JN-MN	455013
027512725LPD	JN-MN	480491	028293K	JOHND	65755	02A301227A	VW	711029	03009182LUP	JN-MN	415995
027514042LPD	JN-MN	416664	02844BRAGF	SABO	224025	02A301227C	AUDI	711029	03009182LUP	JN-MN	455013
027514781LDS	JN-MN	416664	028510528LPD	JN-MN	417344	02A301227C	VW	711029	03009343SS	JN-MN	453182
027516242LDS	JN-MN	417316	028510528LPD	JN-MN	455006	02A301227D	AUDI	711029	03009368LPD	JN-MN	417351
027516658SS	JN-MN	416664	028710004LPD	JN-MN	417344	02A301227D	VW	711029	03009368LPD	JN-MN	455154
02755613LPD	JN-MN	415960	028710004LPD	JN-MN	455006	02A301227K	AUDI	711029	03004940LA	JN-MN	415995
02755613LPD	JN-MN	455009	028710065LUP	JN-MN	415303	02A301227K	VW	711029	03004940LA	JN-MN	455013
02756140LA	JN-MN	417316	028710087LPD	JN-MN	416921	02A301227L	AUDI	711029	0302076	FORD	240414
02756140LA	JN-MN	455004	028710087LPD	JN-MN	455011	02A301227L	VW	711029	030326	ALLCH	473213
02756257LPD	JN-MN	417316	028710097LUP	JN-MN	417344	02A301227M	AUDI	711029	030327	ALLCH	473225
02756257LPD	JN-MN	455004	028710097LUP	JN-MN	455006	02A301227M	VW	711029	030504	ALLCH	471567
02757128LUP	JN-MN	417316	028710165LPD	JN-MN	415303	02B409318	AUDI	224520	030586	ALLCH	474276
02757128LUP	JN-MN	455004	028711780LUP	JN-MN	417158	02B409318	VW	224520	030610960LPD	JN-MN	455015
02758436LUP	JN-MN	476281	028711780LUP	JN-MN	455355	02D409399	AUDI	224520	03061CH	CASE	450335
02758470LUP	JN-MN	417484N	028713553LPD	JN-MN	417344	02D409399	VW	224520	03061VM	TRSCM	311189
02758470LUP	JN-MN	455322	028717731LDS	JN-MN	415303	02F311113A	AUDI	222540	030639200	EATON	472015
02758857LPD	JN-MN	416282	02875956LA	JN-MN	455310	02F311113A	VW	222540	03072SC	TRSCM	340385
02759732LUP	JN-MN	417316	02876042SS	JN-MN	415303	02J409189A	VW	1188	03072SM	TRSCM	240385
02759732LUP	JN-MN	455004	02879488LUP	JN-MN	416921	02J409189B	VW	1188	03082SZ	TRSCM	350156
02750101	EIMCO	472234	02879488LUP	JN-MN	455011	02K311113	AUDI	222240	03082TB	TRSCM	473096
02750102	EIMCO	471750	02879876LPD	JN-MN	417344	02K311113	VW	222240	03092SB	TRSCM	471103
02750200	EIMCO	415958	02879876LPD	JN-MN	455006	02M409189	AUDI	710651	03092SB	TRSCM	50197S
02750200	EIMCO	455958	02879918LPD	JN-MN	417134	02M409189	VW	710651	030PKG	TIMKE	030PKG
02750301	EIMCO	470045	0289796	HYST	J1136	02M409189B	AUDI	710651	030R	TIMKE	030PKG

INTERCHANGE SECTION

COMPETITIVE INTERCHANGES



Mfr No.	Mfr.	National	Mfr No.	Mfr.	National	Mfr No.	Mfr.	National	Mfr No.	Mfr.	National
031061SC	TRSCM	240698	032092	ROSS	340787	033115676LUP	JN-MN	416313	03509422LUP	JN-MN	455146
031072VTBY	TRSCM	350364	032110	ROSS	470712	033146	ALLCH	450082	03509752LUP	JN-MN	415991
031092TCN	TRSCM	50445	032151	ROSS	340413	033146	ALLCH	473238	03509752LUP	JN-MN	455146
031101529	WHITE	417316	032164	ROSS	6597S	03321BRG	SABO	710467	035115147A	AUDI	710618
031101529	WHITE	455004	032165	ROSS	6703S	033512	PETTI	472636	035115147A	VW	710618
03115	FBG	4175	032166	ROSS	340787	033710164LUP	JN-MN	412473	03511008	SPICE	340495
031163	ALLCH	455018	032167	ROSS	340400	033710164LUP	JN-MN	415894	03515383	CHRYS	7300S
031163	ALLCH	476470	032176	ROSS	470712	033711557LUP	JN-MN	417354	03515384	CHRYS	2506
031164	ALLCH	415995	032264	ROSS	471737	033716541LUP	JN-MN	416294	035616543LUP	JN-MN	415498
031164	ALLCH	455013	032341	ALLCH	415995	03374463LUP	JN-MN	415025	03569892LUP	JN-MN	415711
031210142LPD	JN-MN	416297	032341	ALLCH	455013	03378841LUP	JN-MN	417191	03570	CHECK	472747
031211685LPD	JN-MN	417171	032347	ALLCH	412119	03379042LUP	JN-MN	417191	03571	CHECK	473228
031213518LDS	JN-MN	416011	032347	ALLCH	450101	03379042LUP	JN-MN	455165	03571	CHECK	481837
031213518LDS	JN-MN	417621	032378	ROSS	240414	03379205LUP	JN-MN	415025	03575	CHECK	6808N
03126814LA	JN-MN	415021	032410231	ISUZU	224660	03378842LPD	JN-MN	417191	035PKG	TIMKE	035PKG
03128509LUP	JN-MN	417172	03248	CHECK	8160S	033819223A	MAZDA	2025	035R	TIMKE	035PKG
03129092LPD	JN-MN	416288	032496000	EATON	410825	033PKG	TIMKE	033PKG	0360CU	CASE	5857
03125011LUP	JN-MN	416011	032510100LUP	JN-MN	415563	033R	TIMKE	033PKG	0361017	LILIS	471192
03125011LUP	JN-MN	417621	032510100LUP	JN-MN	417433	034105147A	VW	1108	036211198LUP	JN-MN	416047
03139523LPD	JN-MN	415021	032510272LPD	JN-MN	455328	034115137A	AUDI	1108	036211198LUP	JN-MN	416332
031414644LPD	JN-MN	228010	032510305LUP	JN-MN	418028	034115147A	AUDI	710618	036212159LPD	JN-MN	415937
031516432LUP	JN-MN	228010	032510305LUP	JN-MN	455137	034115147A	VW	710618	036212677LDS	JN-MN	415937
03187227LUP	JN-MN	456105	032511121LPD	JN-MN	417353	034520	ELRNG	223018	036212718LPD	JN-MN	415832
03188838LPD	JN-MN	455336	032511497LPD	JN-MN	455018	034560	ELRNG	710767	036215724LUP	JN-MN	417355
03189193LPD	JN-MN	417490	032511497LPD	JN-MN	476470	034310129LPD	JN-MN	417493	036220032LUP	JN-MN	416125
03189542LPD	JN-MN	455022	032513075LUP	JN-MN	417352	034310948LUP	JN-MN	417493	03625140SS	JN-MN	456744N
031PKG	TIMKE	031PKG	032513075LUP	JN-MN	418028	03436040LUP	JN-MN	417493	03628438LPD	JN-MN	417500
031R	TIMKE	031PKG	032513241LDS	JN-MN	476470	03439512LUP	JN-MN	455026	03629587LPD	JN-MN	416125
032040	ROSS	471137	032514271LPD	JN-MN	417352	034631	CATER	471765	036727F	SPERY	204013
032046	ROSS	450593	032514271LPD	JN-MN	418028	034697	ALLCH	450316	03674	FBG	1962
032048	ROSS	340120	032516539LUP	JN-MN	455566	034697	ALLCH	472636	036815929LUP	JN-MN	417501
032049	ROSS	471750	032516540LUP	JN-MN	456305	034PKG	TIMKE	034PKG	036818532LUP	JN-MN	416670
032052	GMC	450070	032517972LDS	JN-MN	417181	034R	TIMKE	034PKG	03686808LA	JN-MN	417501
032052	GMC	472185	032518099LUP	JN-MN	415563	035115147	AUDI	710618	03688502LUP	JN-MN	55030
032052	ROSS	450070	032518099LUP	JN-MN	417433	035115147	VW	710618	03691	FBG	1208
032052	ROSS	472185	03255027LUP	JN-MN	415563	035010019LPD	JN-MN	415437	036PKG	TIMKE	036PKG
032054	ROSS	470045	03255027LUP	JN-MN	417433	035010110LUP	JN-MN	415559	036R	TIMKE	036PKG
032054	ROSS	476838	03256145LA	JN-MN	417181	035010306LUP	JN-MN	417196	037011399	MAZDA	227020
032062	ROSS	450095	03257190LUP	JN-MN	476470	035011197LUP	JN-MN	415991	037051VC	TRSCM	340827
032062	ROSS	473464	03258483LPD	JN-MN	417181	035011197LUP	JN-MN	455146	03719729LUP	JN-MN	415379
032064	ROSS	471750	03258845SS	JN-MN	476470	035012565LDS	JN-MN	415991	03719729LUP	JN-MN	455379
032065	ROSS	472560N	03258945LUP	JN-MN	415023	035012565LDS	JN-MN	415991N	03717CS	CASE	240319
032065	ROSS	50151S	03259547LPD	JN-MN	476470	035015810LUP	JN-MN	415027	0372CK	CASE	470219
032068	CASE	340356	032612	PEUGE	224252	035016542LUP	JN-MN	417495	0372CK	CASE	471649
032068	ROSS	240356	03271N	CASE	474278	035017475LDS	JN-MN	415027	0374151	OPEL	3543
032069	ROSS	470548	03271N	CASE	480356	035017593LDS	JN-MN	415027	03741512	OPEL	3543
032069	ROSS	470625	03275351	ALLCH	204013	035017779LDS	JN-MN	415027	0374248	OPEL	710709
032073	ROSS	473313	032784	ALLCH	470074	03504941LUP	JN-MN	415991	037510057LUP	JN-MN	416339
032074	ROSS	474276	032784	ALLCH	474265	03504941LUP	JN-MN	455146	037510057LUP	JN-MN	455031
032075	ROSS	340413	032785	ALLCH	417316	03506301LA	JN-MN	417496	037510846SS	JN-MN	415379
032076	FORD	240414	032785	ALLCH	455004	03506327LA	JN-MN	417196	037510859LPD	JN-MN	416339
032076	ROSS	240414	032PKG	TIMKE	032PKG	03506871LUP	JN-MN	417496	037510859LPD	JN-MN	455031
032077	ROSS	6597S	032R	TIMKE	032PKG	03507325LUP	JN-MN	416624	037512115LPD	JN-MN	415379
032078	KEN	450400	0330779	HYST	J1118	03508501LPD	JN-MN	417198	037512115LPD	JN-MN	455379
032078	ROSS	450400	033081	ALLCH	473438	03508821LPD	JN-MN	415437	037513770LUP	JN-MN	415150
032079	ROSS	352541	033110963LPD	JN-MN	417491	03508821LPD	JN-MN	455173	037514443LDS	JN-MN	415379
032081	ROSS	450048	033111523LPD	JN-MN	415085	03508999LPD	JN-MN	417496	037514443LDS	JN-MN	455379
032082	ROSS	470120	033111523LPD	JN-MN	456648	03509410LUP	JN-MN	415027	037517199LDS	JN-MN	415379
032082	ROSS	471224	033112253LPD	JN-MN	416292	03509410LUP	JN-MN	455027	037517199LDS	JN-MN	455379
032085	ROSS	471192	033114237LPD	JN-MN	455024	03509422LUP	JN-MN	415991	037540001LDS	JN-MN	415379

INTERCHANGE SECTION

COMPETITIVE INTERCHANGES

Mfr No.	Mfr.	National	Mfr No.	Mfr.	National	Mfr No.	Mfr.	National	Mfr No.	Mfr.	National
037540001LDS	JN-MN	455379	038712654LPD	JN-MN	417210	04005489LPD	JN-MN	417357	04167917	CHRY	482163
03756294LA	JN-MN	416339	038715641LPD	JN-MN	417210	04005489LPD	JN-MN	455192	04167917	CHRY	482163N
03756294LA	JN-MN	455031	038716269LDS	JN-MN	417210	040060003LDS	JN-MN	417507	04167929	CHRY	3173
03756872LPD	JN-MN	415379	038716545LUP	JN-MN	415958	04006146LUP	JN-MN	415035	04167929	CHRY	710928
03756872LPD	JN-MN	455379	038716546LUP	JN-MN	417505	04006146LUP	JN-MN	455035	04167929	JEEP	3173
03757146LUP	JN-MN	415379	03876218LUP	JN-MN	416345	04007130LA	JN-MN	415036	04167929	JEEP	710928
03757146LUP	JN-MN	455379	03876218LUP	JN-MN	455033	04007195LUP	JN-MN	415036	041798	ALLCH	415187
037511040LPD	JN-MN	417205	03879764LUP	JN-MN	417211	04007199LUP	JN-MN	415035	041811643LPD	JN-MN	417516
037675	ALLCH	415001	03873AB	CASE	417344	04007199LUP	JN-MN	455035	041812122LPD	JN-MN	455194
037675	ALLCH	455001	03873AB	CASE	455006	04009151LPD	JN-MN	415041	041816547LUP	JN-MN	417515
037676	ALLCH	450083	03896N	CASE	471744	04009342SS	JN-MN	415035	041818564LPD	JN-MN	417513
037676	ALLCH	472924	03899AB	CASE	450070	04009342SS	JN-MN	415953	04186263LA	JN-MN	415295
037PKG	TIMKE	037PKG	03899AB	CASE	472185	04009663LPD	JN-MN	417509	04188808LUP	JN-MN	417513
037R	TIMKE	037PKG	038PKG	TIMKE	038PKG	04009705LPD	JN-MN	417223	04189800LPD	JN-MN	455194
038103085	AUDI	710618	038R	TIMKE	038PKG	04009866LUP	JN-MN	415035	041916213	MAZDA	222238
038103085	VW	710618	039926	ELRNG	224015	04009866LUP	JN-MN	455035	041PKG	TIMKE	041PKG
038103085A	AUDI	3476	0390106	HYST	417247	040020025	TROS	240698	041R	TIMKE	041PKG
038103085A	VW	3476	039311669LPD	JN-MN	455191	040211	ALLCH	470077	042024	ALLCH	472015
038103085C	AUDI	3476	039312357LDS	JN-MN	415263	040211	ALLCH	474281	04210603	CHRY	341022
038103085C	VW	3476	03935910LPD	JN-MN	415034	040302	ALLCH	471442	04210603	JEEP	341022
038103085E	AUDI	710618	03936072LUP	JN-MN	455191	040304	ELRNG	224235	04240AB	CASE	472287
038103085E	VW	710618	03938503LPD	JN-MN	415263	04032AB	CASE	415035	04243AB	CASE	470027
038103085B	AUDI	710618	03938504LUP	JN-MN	417506	04032AB	CASE	455035	04243AB	CASE	471554
038103085B	VW	710618	03939402LUP	JN-MN	415034	04039	FBG	224820	04244AB	CASE	471466
038103085D	AUDI	3476	03939402LUP	JN-MN	455034	04041AB	CASE	415001	042510073LPD	JN-MN	416556
038103085D	VW	3476	03965092	GMC	4739	04041AB	CASE	455001	042510073LPD	JN-MN	472157
038103085F	AUDI	3476	039710950LPD	JN-MN	415187	04045AB	CASE	415003	042510334LPD	JN-MN	416891
038103085F	VW	3476	039833065	MAZDA	1213N	04045AB	CASE	415458	042511140SS	JN-MN	416556
038103085G	AUDI	710618	039PKG	TIMKE	039PKG	04047	CASE	8650S	042511140SS	JN-MN	472157
038103085G	VW	710618	039R	TIMKE	039PKG	04048AB	CASE	472185	042513772LPD	JN-MN	415058
038103085Q	AUDI	710618	03D105171B	AUDI	710618	04058047	CHRY	2506	042515628LDS	JN-MN	416891
038103085Q	VW	710618	03D105171B	VW	710618	040615574LUP	JN-MN	455037	042516598LUP	JN-MN	416135
038103171	AUDI	710617	03G103295D	AUDI	710618	04061VC	TRSCM	343101	04257040LUP	JN-MN	455195
038103171	VW	710617	03G103295D	VW	710618	04082SM	TRSCM	240470	04257040LUP	JN-MN	472157
038103171B	AUDI	710617	03G105021C	AUDI	710618	04082SM	TRSCM	472810	04257187LUP	JN-MN	455195
038103171B	VW	710617	03G105021C	VW	710618	040832	EVERS	411253	04257187LUP	JN-MN	472157
038103171C	AUDI	710617	03G198998F	AUDI	710618	04086649	CHRY	710005	04258809LPD	JN-MN	415045
038103171C	VW	710617	03G198998F	VW	710618	04092VB	TRSCM	6863S	04258810LUP	JN-MN	416137
038103171D	AUDI	710617	03L103085	AUDI	3476	04093SB	TRSCM	6863S	04258946LPD	JN-MN	416891
038103171D	VW	710617	03L103085	VW	3476	040PKG	TIMKE	040PKG	04259930LUP	JN-MN	415196
038103171E	AUDI	710617	03L103085C	AUDI	3476	040R	TIMKE	040PKG	04253AB1	CASE	417492
038103171E	VW	710617	03L103085C	VW	3476	04104	JAC	470027	04269956	CHRY	710058
038103171L	AUDI	710617	049023110	WHITE	370023A	04104	JAC	471554	04269956AB	CHRY	710058
038103171L	VW	710617	049023110	WHITE	380023A	04105388	CHRY	3655	04273275	CHRY	3638
038103171S	AUDI	710617	049038204	WHITE	370030A	04105395	CHRY	3655	04295904	CHRY	3459
038103171S	VW	710617	04BRS04003007CW	TROS	415836N	04112SL	TRSCM	474277	042PKG	TIMKE	042PKG
038806	ELRNG	223005	040010285LPD	JN-MN	415036	04116366	CHRY	5131	042R	TIMKE	042PKG
038814	ELRNG	223005	040010384LPD	JN-MN	415036	04116366AB	CHRY	5131	043116548LUP	JN-MN	455197N
038112156LUP	JN-MN	417504	040011119LPD	JN-MN	417356	041210382LPD	JN-MN	415142	04317192LPD	JN-MN	417520
038116544LUP	JN-MN	455189	040011119LPD	JN-MN	455188	041211120LPD	JN-MN	415043	04319545LPD	JN-MN	417238
03817014LA	JN-MN	455032	040011500LPD	JN-MN	415035	041211194LPD	JN-MN	415142	0432230010	TOYOT	223840
03815	CHECK	240356	040011500LPD	JN-MN	415953	041211739LPD	JN-MN	415142	0432230020	TOYOT	223840
03820197	CHRY	493291	040011635LPD	JN-MN	417356	041211790LUP	JN-MN	417511	0432230030	TOYOT	223840
03860095	GMC	3945	040011635LPD	JN-MN	455188	041214444LDS	JN-MN	415142	0433230010	TOYOT	223840
03866AB	CASE	415458	040013292LPD	JN-MN	415187	041217228LUP	JN-MN	455134	0433230020	TOYOT	223840
03866AB	CASE	455003	040014959LPD	JN-MN	415187	041220013LPD	JN-MN	415043	0433294	STUDE	240356
03868AB	CASE	473215	040015141LDS	JN-MN	415035	04126582LUP	JN-MN	417512	04338339	CHRY	2506
038711177LPD	JN-MN	456618	040015141LDS	JN-MN	415953	04129649LPD	JN-MN	415142	04338553	CHRY	710502
038712409LPD	JN-MN	415697	040016751LUP	JN-MN	416130	041516	ALLCH	471570	04338893	CHRY	710046
038712409LPD	JN-MN	455547	04004784LPD	JN-MN	415041	04167735	CHRY	3946	04338893	JEEP	710046

INTERCHANGE SECTION

COMPETITIVE INTERCHANGES



Mfr No.	Mfr.	National	Mfr No.	Mfr.	National	Mfr No.	Mfr.	National	Mfr No.	Mfr.	National
04343903	CHRY	4462N	04486111	CHRY	710501	04638941	CHRY	2506	047852	GEHL	471818
043569	ALLCH	470950	044PKG	TIMKE	044PKG	04641226	CHRY	710432	04792317AB	CHRY	3638
043569	ALLCH	6241S	044R	TIMKE	044PKG	04641263	CHRY	710432	04792318AB	CHRY	321417N
043570	ALLCH	450273	045011709LUP	JN-MN	416892	04641848AA	CHRY	710432	04798033	CHRY	3173
043710470LPD	JN-MN	415047	045011832LUP	JN-MN	416153	04641851AA	CHRY	710501	04798033	CHRY	710928
043710482LPD	JN-MN	415047	045013172LDS	JN-MN	416888	04641852AA	CHRY	223005	04798112	CHRY	710046
043719127LDS	JN-MN	416147	045018396LUP	JN-MN	416154	04641852AA	MOPAR	223005	04798112	JEEP	710046
04378875LUP	JN-MN	415196	04504519LUP	JN-MN	416888	04654389	CHRY	710884	04798117	JEEP	710663
04379418LPD	JN-MN	415425	04504519LUP	JN-MN	455200	04654389	JEEP	710884	04798125	CHRY	3946
04379590LPD	JN-MN	415060	04505991LUP	JN-MN	417532	04654389AB	CHRY	710884	04798125	JEEP	3946
04381AB	CASE	471567	04506538LPD	JN-MN	416154	04654389Ab	JEEP	710884	04798216	CHRY	5106
043838	GEHL	470088	04507145LPD	JN-MN	416892	04654389AC	CHRY	710884	04798216AB	CHRY	5106
043839	GEHL	471192	04507191LPD	JN-MN	416892	04654389AC	JEEP	710884	04798216AC	CHRY	5106
04384188	CHRY	9316	04507360LPD	JN-MN	415351	04663618	CHRY	710469	04800724AA	CHRY	710655
04384188	JEEP	719316	04509170LUP	JN-MN	416888	04663622	CHRY	710814	04800724AA	JEEP	710655
04399	JAC	481537	04509170LUP	JN-MN	455200	04663622AC	CHRY	710814	04801604	TROS	350435
04399A	JAC	340469	04509425SS	JN-MN	416892	04663870AB	CHRY	710840	04802004	TROS	350364
043PKG	TIMKE	043PKG	04509664LUP	JN-MN	416154	04663870AC	CHRY	710840	04802404	TROS	330385
043R	TIMKE	043PKG	04504168LUP	JN-MN	327303	04667322	CHRY	710056	04803202	TROS	43095S
044590	ELRNG	710803	04506005	CHRY	710241	04667904	CHRY	710056	048111060LPD	JN-MN	456890
044024025	TROS	311189	04506005AB	CHRY	710241	0467SC	CASE	240735	048115147	PORSC	710331
044032015	TROS	342805	04506100LPD	JN-MN	416153	046812861LPD	JN-MN	415284	04856336	AMC	4857
04403202	TROS	342805	04513	CHECK	6835S	04686743LA	JN-MN	417536	04856336	CHRY	4857
04412522	CHRY	3459	045311399	MAZDA	228020	04688478LPD	JN-MN	415284	04856336	JEEP	4857
04412522AB	CHRY	3459	04531216	CHRY	7300S	04688900LPD	JN-MN	415284	0486060	FORD	450188
04412522AC	CHRY	3459	04531216AB	CHRY	7300S	0468SC	CASE	240735	0486080	FORD	415147
044208	GEHL	412920	045615070LPD	JN-MN	417533	04698302	EIMCO	4354V	0486080	FORD	415449
044208	GEHL	450132	045616816LUP	JN-MN	417533	04698302	SANDV	4354V	0486325	FORD	472560N
0442202030	TOYOT	5696	04567047	CHRY	4889	047046	ALLCH	472394	0486325	FORD	50151S
0442212010	TOYOT	5686	04567809	CHRY	4889	047047	ALLCH	450067	04864784	CHRY	710691
0442212020	TOYOT	5696	04567811	CHRY	4890	047047	ALLCH	473228	04864784	JEEP	710691
0442212040	TOYOT	5696	045PKG	TIMKE	045PKG	04720277AA	CHRY	710812	048689	ALLCH	450291
0442212050	TOYOT	5696	045R	TIMKE	045PKG	047275	ALLCH	417316	048689	ALLCH	471141
0442212060	TOYOT	5694	0461006	LILIS	204035	04736	JAC	471267	048692	ALLCH	470163
0442212070	TOYOT	5696	04612AB	CASE	450085	04741118	CHRY	4532N	048692	ALLCH	471766
0442212080	TOYOT	5696	04612AB	CASE	470530	04741119	CHRY	7300S	048715067LUP	JN-MN	416167
0442212091	TOYOT	5696	04617919	CHRY	710557	04741296	CHRY	4529N	048715801LDS	JN-MN	416167
0442212100	TOYOT	225673	04617919	MITSU	710557	04741908	CHRY	713103	04877234LPD	JN-MN	417269
0442216010	TOYOT	225110	0461CS	CASE	450311	04741920	CHRY	710771	04878925LPD	JN-MN	417267
0442216020	TOYOT	5695	046210132LPD	JN-MN	415371	047436	ALLCH	415304	04879797LPD	JN-MN	417269
0442217010	TOYOT	5685	046210154LUP	JN-MN	456641	047436	ALLCH	476470	0487014	FORD	470120
0442220010	TOYOT	5686	046211368LUP	JN-MN	416156	04746258	CHRY	4333N	0487014	FORD	471224
0442220020	TOYOT	5686	046213173LDS	JN-MN	416156	04746772	CHRY	5778V	048703	ALLCH	415449
0442220040	TOYOT	5694	046216605LUP	JN-MN	456641	04746772	JEEP	5778V	048703	ALLCH	455147
0442220060	TOYOT	5694	04625193LPD	JN-MN	416156	047511226LPD	JN-MN	417538	0487052	FORD	415035
0442220080	TOYOT	5694	04625594LUP	JN-MN	415371	047511804LPD	JN-MN	415066	0487052	FORD	455035
0442220110	TOYOT	5686	04626677LA	JN-MN	455685	04756085LPD	JN-MN	415066	0487066	FORD	471103
0442232010	TOYOT	5700	04628811LUP	JN-MN	415064	04756935LPD	JN-MN	417247	0487066	FORD	50197S
04429353	CHRY	39803	04629361LPD	JN-MN	416158	04757107LA	JN-MN	415066	0487067	FORD	45187S
04429410	CHRY	39805	04621939	CHRY	710894	04759820LPD	JN-MN	415138	0487068	FORD	471442
04438825LUP	JN-MN	417525	04621939AB	CHRY	710894	04759963LPD	JN-MN	415138	0487073	FORD	416865
044594	HESST	450361	04626515	CHRY	7412S	04752960AA	CHRY	224660	0487086	FORD	471281
044594	HESST	472193	04626590	CHRY	7300S	04752960AA	JEEP	224660	0487088	FORD	471466
044741	ALLCH	471763	04626696	CHRY	473227V	04761107	CHRY	3459	0487095	FORD	417020
044800	HESST	471765	04626696	JEEP	473227V	04762017	CHRY	39803	0487108	FORD	471551
044818	HESST	471760	04636502	CHRY	710198	04762899	CHRY	3946	0487134	FORD	471570
04483456	CHRY	5106	04637776	CHRY	714655	04762899	JEEP	3946	0487142	FORD	471651
044852	ALLCH	415004	04638904	AMC	4370N	04773237	CHRY	4525V	0487162	FORD	470045
044852	ALLCH	417316	04638904	CHRY	4370N	04773237AB	CHRY	4525V	0487162	FORD	476838
044859	GEHL	472015	04638904	JEEP	4370N	04777311	CHRY	710056	048717	ALLCH	471762

INTERCHANGE SECTION

COMPETITIVE INTERCHANGES

Mfr No.	Mfr.	National	Mfr No.	Mfr.	National	Mfr No.	Mfr.	National	Mfr No.	Mfr.	National
0487176	FORD	473426	0495621A	CHRYS	710593	05012115AA	CHRYS	4638N	050411313	BORGW	473231
048718	ALLCH	472826	049629	ALLCH	470120	05012290AA	CHRYS	39803	050412828	BORGW	415458
0487188	FORD	470163	049629	ALLCH	471224	05012454AA	CHRYS	5778	050413232	BORGW	417254
0487188	FORD	471766	04981	JAC	471652	05012454AA	CHRYS	5778V	050413429	BORGW	417344
048719	ALLCH	473436	050110202	BORGW	470189	05012454AA	JEEP	5778	050413937	BORGW	417354
0487196	FORD	471354	050110202	BORGW	471692	05012454AA	JEEP	5778V	050414039	BORGW	471419
048720	ALLCH	471785	050111514	BORGW	450067	05012454AB	CHRYS	5778	050414039	BORGW	473367
048720	FORD	470027	050111514	BORGW	473228	05012454AB	CHRYS	5778V	050441	ALLCH	471267
048720	FORD	471554	050111614	BORGW	450067	05012454AB	JEEP	5778	050443	ALLCH	415147
0487234	FORD	455136	050111614	BORGW	473228	05012454AB	JEEP	5778V	050443	ALLCH	415449
048726	ALLCH	471646	050112121	BORGW	40494S	05012813AA	CHRYS	714675	05047167AA	CHRYS	710767
0487296	FORD	470548	050112222	BORGW	450492	05012813AA	JEEP	714675	05047167AA	JEEP	710767
0487296	FORD	470625	050112828	BORGW	415458	05012846AA	CHRYS	719316	05047372AA	CHRYS	224200
048730	ALLCH	450067	050112828	BORGW	455003	05012846AA	JEEP	719316	050510808	BORGW	471192
048730	ALLCH	473228	050113434	BORGW	55563	05012846AB	CHRYS	5778V	05065148LPD	JN-MN	455290
0487302	FORD	470059	050113537	BORGW	450444	05012846AB	JEEP	5778V	05066053AA	CHRYS	710593
0487302	FORD	470380	050113537	BORGW	471835	05013019AA	CHRYS	710835	05066066AA	CHRYS	710624
048731	ALLCH	471689	050113639	BORGW	472029	05013019AB	CHRYS	710835	05066446AA	CHRYS	4434V
0487310	FORD	471820	050113740	BORGW	415379	05014046AA	CHRYS	710597	05066446AA	JEEP	4434V
0487336	FORD	472439	050113740	BORGW	455379	05014046AA	JEEP	710597	05066763AA	CHRYS	710812
0487340	FORD	470074	050211313	BORGW	470358	05014852AA	CHRYS	710863	05066850AA	CHRYS	223020
0487340	FORD	474265	050211313	BORGW	473231	05014852AB	CHRYS	710863	05066850AA	JEEP	223020
0487372	FORD	472144	05021166	BORGW	450494	05014852AC	CHRYS	710863	05066850AB	CHRYS	223020
0487374	FORD	450084	05021166	BORGW	472164	05015198AA	CHRYS	710565	05066850AB	JEEP	223020
0487398	FORD	412119	050211710	BORGW	450067	05015201AA	CHRYS	710566	05066958AA	CHRYS	223020
0487398	FORD	450101	050211710	BORGW	473228	05015705AA	CHRYS	710473	05066958AA	JEEP	223020
0487402	FORD	416444	050211712	BORGW	450444	05015847AA	CHRYS	710657	05069052AA	CHRYS	710797
0487414	FORD	415001	050211712	BORGW	471835	05015847AA	JEEP	710657	05071VB	TRSCM	340847
0487414	FORD	455001	050213739	BORGW	473237	05015CS	CASE	340151	05071VB	TRSCM	8792S
0487422	FORD	417316	0503700	KEN	450291	05016760AA	CHRYS	7300S	05072265AA	CHRYS	100712V
0487422	FORD	455004	0503700	KEN	471141	05018594AA	CHRYS	5174	05072265AA	JEEP	100712V
0487440	FORD	412473	050410509	BORGW	473227	05018594AA	JEEP	5174	05072265AB	CHRYS	100712V
0487440	FORD	415894	050411110	BORGW	470380	05018594AB	CHRYS	5174	05072265AB	JEEP	100712V
04874477	JEEP	710068	050411616	BORGW	472164	05018594AB	JEEP	5174	05072307AA	CHRYS	710662
0487450	FORD	416047	050412121	BORGW	40494S	05019020AA	CHRYS	710627	05072307AA	JEEP	710662
0487450	FORD	416332	050412135	BORGW	412028	05019020AA	JEEP	710627	05072473AA	JEEP	710461
0487494	FORD	415138	050413334	BORGW	471870	05019020AB	CHRYS	710627	05072896AA	CHRYS	710771
0487514	FORD	417273	050413334	BORGW	471883	05019020AB	JEEP	710627	05073564AA	CHRYS	710461
04883966AA	CHRYS	714675	050613333	BORGW	471829	05019026AA	CHRYS	710660	05073564AA	JEEP	710461
04883966AA	JEEP	714675	050260	ELRNG	716484	05019154AA	CHRYS	5778	05073592AA	CHRYS	710472
04897297AA	CHRYS	713103	050540	ELRNG	223220	05019154AA	CHRYS	5778V	05073592AA	JEEP	710472
04897298AA	CHRYS	710691	0500044078	BORGW	7692S	05019154AA	JEEP	5778	05073675AA	CHRYS	710289
04897298AA	JEEP	710691	050010201LPD	JN-MN	416865	05019154AA	JEEP	5778V	05073675AB	CHRYS	710289
049103051C	AUDI	716102	050012367LPD	JN-MN	417543	05019843AA	CHRYS	100715V	05073675AB	JEEP	710289
049103051C	VW	716102	050016740LDS	JN-MN	415725	050210202	BORGW	470189	05073676AA;	CHRYS	710289
049312773LPD	JN-MN	417539	050017959LDS	JN-MN	416865	050210202	BORGW	471692	05073856AA	CHRYS	224250
04937144LPD	JN-MN	417539	050018134LDS	JN-MN	416865	050210606	BORGW	471192	05073887AA	CHRYS	710812
04938801LPD	JN-MN	417539	05005907LPD	JN-MN	416865	050211414	BORGW	470059	05073887AB	CHRYS	710812
04939159LPD	JN-MN	417273	05005907LPD	JN-MN	455070	050211414	BORGW	470380	05073887AC	CHRYS	710812
04939400LPD	JN-MN	417273	05006325LUP	JN-MN	416865	050211616	BORGW	450494	05073944AA	CHRYS	100727
04939600LPD	JN-MN	417273	05006671LUP	JN-MN	417541	050211616	BORGW	472164	05078684AA	CHRYS	710628
04933AB	CASE	450474	05008956LPD	JN-MN	417542	050212323	BORGW	410496	05078784AA	CHRYS	710628
049453	ALLCH	417357	05009044LUP	JN-MN	417541	050213030	BORGW	416624	05080155AA	CHRYS	710683
049453	ALLCH	455192	05009530LUP	JN-MN	415725	050213131	BORGW	417551	05081VC	TRSCM	342613
049489	ALLCH	470169	05009629LUP	JN-MN	415725	050320	WHITE	473475	050821VAY	TRSCM	43080S
049489	ALLCH	473214	05003408AA	CHRYS	2506	050368100	EATON	240319	05082SZ	TRSCM	330699
049490	ALLCH	470120	05003419AA	CHRYS	710496	05037300AA	CHRYS	710698	05082TB	TRSCM	330699
049490	ALLCH	471224	05009530LPD	JN-MN	415725	05047489	GMC	417520	05082VAY	TRSCM	340771
049521	ALLCH	471785	0501310504	ZF	4333N	050410506	BORGW	471192	05082VB	TRSCM	342613
049522	ALLCH	473436	0501327252	ZF	710671	050410533	BORGW	473517	05083952AA	CHRYS	223535

INTERCHANGE SECTION

COMPETITIVE INTERCHANGES



Mfr No.	Mfr. National	Mfr No.	Mfr. National	Mfr No.	Mfr. National	Mfr No.	Mfr. National
05083953AA	CHRY5 223010	05134TA	TRSCM 471551	05184541AC	CHRY5 710937	0522946	BE-AR 224015
05086054AA	CHRY5 710771	05137587AA	CHRY5 710067	051850	VICK 471538	0523001	BE-AR 1176
05086089AA	CHRY5 2027	05139857AA	CHRY5 223235	051860	VICK 471267	0523100	BE-AR 494117
05086315AA	CHRY5 710652	051411	PEUGE 1953	05187AB	CASE 471570	0523136	BE-AR 1177
05086341AA	CHRY5 710902	051420	PEUGE 228010	05187ABD	CASE 471570	0523138	BE-AR 716102
05086343AA	CHRY5 710653	051421	PEUGE 224252	05189835AA	CHRY5 710598	0523139	BE-AR 3476
05086697AA	CHRY5 710558	051435	PEUGE 224520	05189836AA	CHRY5 710923	0523142	BE-AR 227040
05086697AB	CHRY5 710558	051440	PEUGE 716102	05189989AA	CHRY5 710598	0523148	BE-AR 224045
05086773AA	CHRY5 710564	051450	PEUGE 228010	05189989AA	JEEP 710598	0523149	BE-AR 1217
05086773AB	CHRY5 710564	0514C8	CITRO 710850	05189989AA	MITSU 710598	0523150	BE-AR 239146
05086773AC	CHRY5 710564	0514C8	PEUGE 710850	05191357AA	CHRY5 710732	0523156	BE-AR 1012N
05086789AA	CHRY5 710508	05140028AA	CHRY5 710841	05191357AA	JEEP 710732	0523157	BE-AR 1208
05086813AA	CHRY5 39803	05140028AA	JEEP 710841	05191358AA	CHRY5 223010	0523158	BE-AR 1962
05086983AA	CHRY5 710563	05141	FBG 239155	05191358AA	JEEP 223010	0523161	BE-AR 2002
05086AB	CASE 470120	05142723AA	CHRY5 710906	05191359AA	CHRY5 710733	0523175	BE-AR 444116
05086AB	CASE 471224	05142723AB	CHRY5 710906	05191359AA	JEEP 710733	0523176	BE-AR 710312
05092TB	TRSCM 470119	05142724AA	CHRY5 710905	0520056	BE-AR 1196	0523178	BE-AR 1987
05092TB	TRSCM 471442	05142735AA	CHRY5 710904	0520072	BE-AR 227235	0523179	BE-AR 223235
05092TB	TRSCM 471442V	05143480AA	CHRY5 710894	0520114	BE-AR 1012N	0523181	BE-AR 224820
05093BRAGF	SABO 223010	05143481AA	CHRY5 710302	0520676	BE-AR 473234	0523184	BE-AR 710076
05099	FBG 228008	05143658AA	CHRY5 710961	0520684	BE-AR 224820	0523185	BE-AR 223605
05099346AA	CHRY5 710813	05143659AA	CHRY5 710678	0520890	BE-AR 471192	0523191	BE-AR 355660H
05099347AA	CHRY5 710813	05143660AA	CHRY5 710962	0520965	BE-AR 1213N	0523192	BE-AR 1172
05099837AA	CHRY5 710758	05143714AA	CHRY5 710684	0521112	BE-AR 228010	0523193	BE-AR 710190
05099839AA	CHRY5 224250	05143714AA	JEEP 710684	0521161	BE-AR 472213	0523196	BE-AR 4990
0514165	BE-AR 1962	05143715AA	CHRY5 710694	0521179	BE-AR 473179	0523197	BE-AR 710323
0514198	BE-AR 710588	05143715AA	JEEP 710694	0521328	BE-AR 710324	0523198	BE-AR 710311
0514207	BE-AR 1962	05143733AA	CHRY5 710654	0521401	BE-AR 1167	0523199	BE-AR 1019
0514208	BE-AR 1174	05143733AA	JEEP 710654	0521450	BE-AR 1188	0523200	BE-AR 1038
0514210	BE-AR 1012N	05143733AB	CHRY5 710654	0521559	BE-AR 224270	0523201	BE-AR 710580
0514212	BE-AR 710758	05143733AB	JEEP 710654	0521567	BE-AR 224045	0523210	BE-AR 228005
0514213	BE-AR 3794	05143743AA	CHRY5 710655	0521575	BE-AR 223542	0523215	BE-AR 229005
0514214	BE-AR 239155	05143743AA	JEEP 710655	0521617	BE-AR 1012N	0523218	BE-AR 229005
0514216	BE-AR 710758	05143832AA	CHRY5 711027	0521799	BE-AR 1984	0523223	BE-AR 473454
0514220	BE-AR 1962	05143845AA	CHRY5 710909	0521989	BE-AR 223830	0523228	BE-AR 228410
0514237	BE-AR 710588	051461	ALLCH 415304	0522086	BE-AR 710649	0523229	BE-AR 223602
0514243	BE-AR 710589	051461	ALLCH 476470	0522128	BE-AR 224052	0523234	BE-AR 224840
0516155	BE-AR 225225	051461	SPICE 415304	0522136	BE-AR 224210	0523235	BE-AR 224460
0516156	BE-AR 225225	051461	SPICE 476470	0522144	BE-AR 710345	0523239	BE-AR 4989
0516157	BE-AR 225225	0514A2	CITRO 710849	0522169	BE-AR 1955	0523242	BE-AR 1126
05103566AA	CHRY5 710462	0514A2	PEUGE 710849	0522193	BE-AR 228010	0523243	BE-AR 224026
05103566AB	CHRY5 710462	05152B	CASE 340413	0522201	BE-AR 1956	0523247	BE-AR 2025
05103601AA	CHRY5 710468	05159BRAGF	SABO 710681	0522227	BE-AR 225230	0523250	BE-AR 710765
05103901AA	CHRY5 710467	05161543AA	CHRY5 710904	0522250	BE-AR 223750	0523252	BE-AR 223801
05103901AB	CHRY5 710467	05170539AA	CHRY5 710645	0522367	BE-AR 1950	0523258	BE-AR 227045
05112TB	TRSCM 470005	05170540AA	CHRY5 710668	0522375	BE-AR 1948	0523263	BE-AR 224025
05112TB	TRSCM 471526	05175829AA	CHRY5 710814	0522425	BE-AR 225005	0523265	BE-AR 710060
05113SA	TRSCM 471281	05175829AB	CHRY5 710814	0522540	BE-AR 710320	0523269	BE-AR 225500
05114027AA	CHRY5 710473	05179736AA	CHRY5 710904	0522615	BE-AR 710313	0523274	BE-AR 4099
051145	ALLCH 417205	05187336LPD	JN-MN 417548	0522680	BE-AR 226285	0523281	BE-AR 5695
05115	JAC 471255	05188826LPD	JN-MN 417548	0522698	BE-AR 710318	0523288	BE-AR 223340
051154200	EATON 415064	051810	VICK 350364	0522706	BE-AR 1959	0523289	BE-AR 223420
051210017LPD	JN-MN 417546	051815	VICK 330385	0522722	BE-AR 1108	0523290	BE-AR 716484
051213595LDS	JN-MN 417546	051825	VICK 472810	0522755	BE-AR 1990	0523292	BE-AR 223801
05127335LPD	JN-MN 417547	051835	VICK 471472	0522789	BE-AR 1981	0523301	BE-AR 3772
051206	GEHL 40652S	05183524AA	CHRY5 710877	0522805	BE-AR 223553	0523303	BE-AR 225230
05122SB	TRSCM 471472	051840	VICK 471535	0522813	BE-AR 1147	0523306	BE-AR 223018
05122SB	TRSCM 5133	05184285AF	CHRY5 711030	0522854	BE-AR 1960	0523308	BE-AR 710338
05122TC	TRSCM 471472	05184285AG	CHRY5 711030	0522888	BE-AR 229522	0523315	BE-AR 225650
05132SB	TRSCM 471549	05184541AB	CHRY5 710937	0522920	BE-AR 225010	0523316	BE-AR 228009

INTERCHANGE SECTION

COMPETITIVE INTERCHANGES

Mfr No.	Mfr. National	Mfr No.	Mfr. National	Mfr No.	Mfr. National	Mfr No.	Mfr. National
0523322	BE-AR 223420	0523459	BE-AR 473179	0523567	BE-AR 3459	0523676	BE-AR 710324
0523323	BE-AR 229010	0523461	BE-AR 4904	0523570	BE-AR 710463	0523677	BE-AR 225005
0523324	BE-AR 223012	0523462	BE-AR 710175	0523571	BE-AR 710183	0523678	BE-AR 710226
0523327	BE-AR 224210	0523463	BE-AR 710239	0523572	BE-AR 710182	0523679	BE-AR 710125
0523328	BE-AR 710097	0523465	BE-AR 225230	0523580	BE-AR 223535	0523680	BE-AR 710459
0523329	BE-AR 710331	0523466	BE-AR 710329	0523583	BE-AR 710644	0523682	BE-AR 712007
0523330	BE-AR 710332	0523468	BE-AR 228010	0523586	BE-AR 710464	0523685	BE-AR 710571
0523331	BE-AR 320595	0523469	BE-AR 710193	0523587	BE-AR 710758	0523688	BE-AR 225678
0523332	BE-AR 228015	0523473	BE-AR 710194	0523589	BE-AR 224020	0523690	BE-AR 224820
0523333	BE-AR 710215	0523474	BE-AR 1953	0523590	BE-AR 229210	0523691	BE-AR 221820
0523335	BE-AR 5686	0523480	BE-AR 1036	0523591	BE-AR 223800	0523692	BE-AR 226510
0523336	BE-AR 225650	0523481	BE-AR 239146	0523592	BE-AR 710651	0523693	BE-AR 321416
0523342	BE-AR 710230	0523482	BE-AR 225673	0523593	BE-AR 710651	0523698	BE-AR 8430S
0523344	BE-AR 710092	0523483	BE-AR 5694	0523595	BE-AR 710396	0523699	BE-AR 710437
0523345	BE-AR 1948	0523484	BE-AR 710642	0523596	BE-AR 710240	0523700	BE-AR 710529
0523346	BE-AR 222630	0523485	BE-AR 226150	0523599	BE-AR 710060	0523702	BE-AR 4898
0523349	BE-AR 225225	0523486	BE-AR 710178	0523600	BE-AR 712008	0523704	BE-AR 710393
0523351	BE-AR 473677	0523487	BE-AR 710266	0523602	BE-AR 710460	0523708	BE-AR 710611
0523354	BE-AR 239155	0523490	BE-AR 1932	0523605	BE-AR 711181	0523712	BE-AR 710615
0523360	BE-AR 482126	0523492	BE-AR 710176	0523606	BE-AR 710289	0523713	BE-AR 710352
0523366	BE-AR 710255	0523496	BE-AR 710357	0523607	BE-AR 224053	0523714	BE-AR 712009
0523369	BE-AR 1174	0523499	BE-AR 1935	0523608	BE-AR 1940	0523715	BE-AR 710332
0523372	BE-AR 710073	0523503	BE-AR 710834	0523609	BE-AR 710288	0523717	BE-AR 710255
0523374	BE-AR 225875	0523504	BE-AR 222745	0523610	BE-AR 1019	0523718	BE-AR 224063
0523379	BE-AR 710310	0523505	BE-AR 222745	0523611	BE-AR 710767	0523721	BE-AR 710302
0523380	BE-AR 710310	0523507	BE-AR 710633	0523612	BE-AR 229210	0523723	BE-AR 1019
0523382	BE-AR 223840	0523508	BE-AR 1146	0523614	BE-AR 710166	0523724	BE-AR 222025
0523386	BE-AR 223830	0523509	BE-AR 223050	0523615	BE-AR 710112	0523725	BE-AR 224663
0523387	BE-AR 710187	0523510	BE-AR 223051	0523616	BE-AR 223750	0523726	BE-AR 223801
0523388	BE-AR 710308	0523513	BE-AR 710396	0523617	BE-AR 228250	0523727	BE-AR 710479
0523389	BE-AR 223520	0523514	BE-AR 710118	0523618	BE-AR 710264	0523728	BE-AR 229210
0523390	BE-AR 710334	0523515	BE-AR 710134	0523619	BE-AR 224660	0523730	BE-AR 712007
0523391	BE-AR 710329	0523516	BE-AR 710314	0523619	BE-AR 710868	0523732	BE-AR 710620
0523398	BE-AR 710072	0523517	BE-AR 223580	0523620	BE-AR 224052	0523733	BE-AR 229004
0523399	BE-AR 710093	0523519	BE-AR 710150	0523622	BE-AR 710439	0523737	BE-AR 710531
0523400	BE-AR 223550	0523520	BE-AR 2007N	0523624	BE-AR 3459	0523739	BE-AR 4249
0523401	BE-AR 222240	0523521	BE-AR 223240	0523625	BE-AR 710894	0523740	BE-AR 710637
0523407	BE-AR 710638	0523522	BE-AR 710109	0523626	BE-AR 350609	0523741	BE-AR 710356
0523408	BE-AR 710108	0523523	BE-AR 710110	0523629	BE-AR 223230	0523742	BE-AR 710060
0523411	BE-AR 223830	0523525	BE-AR 710110	0523630	BE-AR 224205	0523743	BE-AR 710302
0523412	BE-AR 710168	0523526	BE-AR 223540	0523632	BE-AR 710730	0523744	BE-AR 2012V
0523421	BE-AR 224020	0523527	BE-AR 712551	0523636	BE-AR 224460	0523745	BE-AR 710259
0523423	BE-AR 1981	0523529	BE-AR 223540	0523639	BE-AR 710436	0523749	BE-AR 710595
0523424	BE-AR 228008	0523531	BE-AR 224066	0523640	BE-AR 710236	0523750	BE-AR 710596
0523425	BE-AR 1120	0523532	BE-AR 710315	0523641	BE-AR 223831	0523753	BE-AR 710114
0523426	BE-AR 223220	0523533	BE-AR 710315	0523643	BE-AR 223608	0523756	BE-AR 710141
0523428	BE-AR 228013	0523534	BE-AR 223553	0523644	BE-AR 710070	0523759	BE-AR 710110
0523429	BE-AR 710305	0523536	BE-AR 710123	0523647	BE-AR 710319	0523764	BE-AR 710456
0523431	BE-AR 225673	0523537	BE-AR 710123	0523651	BE-AR 1940	0523765	BE-AR 4899
0523432	BE-AR 4898	0523545	BE-AR 224045	0523653	BE-AR 223010	0523766	BE-AR 350609
0523435	BE-AR 223830	0523550	BE-AR 1147	0523654	BE-AR 710356	0523768	BE-AR 710516
0523436	BE-AR 1928	0523552	BE-AR 710122	0523656	BE-AR 710188	0523769	BE-AR 222830
0523437	BE-AR 1993	0523553	BE-AR 224026	0523658	BE-AR 710415	0523770	BE-AR 710860
0523438	BE-AR 225410	0523556	BE-AR 224026	0523659	BE-AR 224650	0523771	BE-AR 710450
0523440	BE-AR 224235	0523557	BE-AR 710677	0523663	BE-AR 1932	0523775	BE-AR 223543
0523445	BE-AR 710404	0523559	BE-AR 710109	0523665	BE-AR 223552	0523778	BE-AR 1987
0523447	BE-AR 1941	0523562	BE-AR 710132	0523668	BE-AR 710109	0523779	BE-AR 710093
0523448	BE-AR 710146	0523563	BE-AR 710133	0523670	BE-AR 710235	0523781	BE-AR 4175
0523456	BE-AR 710159	0523564	BE-AR 710598	0523673	BE-AR 710394	0523783	BE-AR 710567
0523458	BE-AR 225450	0523566	BE-AR 710127	0523675	BE-AR 227235	0523784	BE-AR 710363

INTERCHANGE SECTION

COMPETITIVE INTERCHANGES



Mfr No.	Mfr. National	Mfr No.	Mfr. National	Mfr No.	Mfr. National	Mfr No.	Mfr. National
0523785	BE-AR 710894	0523865	BE-AR 1973	0523990	BE-AR 239146	0524062	BE-AR 710464
0523786	BE-AR 9912	0523866	BE-AR 710107	0523991	BE-AR 710618	0524063	BE-AR 710463
0523787	BE-AR 473823	0523869	BE-AR 224510	0523992	BE-AR 228411	0524064	BE-AR 710523
0523788	BE-AR 473367	0523870	BE-AR 320583	0523994	BE-AR 224200	0524065	BE-AR 711181
0523789	BE-AR 710094	0523871	BE-AR 224462	0523995	BE-AR 3771	0524066	BE-AR 710468
0523790	BE-AR 1974	0523873	BE-AR 1019	0523998	BE-AR 710570	0524067	BE-AR 711028
0523791	BE-AR 225082	0523875	BE-AR 710070	0523999	BE-AR 710618	0524068	BE-AR 710588
0523792	BE-AR 494122	0523876	BE-AR 225535	0524000	BE-AR 1172	0524069	BE-AR 710758
0523793	BE-AR 473812	0523877	BE-AR 224200	0524001	BE-AR 710790	0524070	BE-AR 710589
0523794	BE-AR 224870	0523878	BE-AR 1012N	0524002	BE-AR 223020	0524072	BE-AR 711007
0523796	BE-AR 225545	0523879	BE-AR 710234	0524003	BE-AR 710788	0524073	BE-AR 710761
0523798	BE-AR 710225	0523880	BE-AR 710192	0524004	BE-AR 710669	0524074	BE-AR 710279
0523799	BE-AR 710130	0523881	BE-AR 223800	0524005	BE-AR 3476	0524075	BE-AR 710127
0523801	BE-AR 710233	0523882	BE-AR 710228	0524006	BE-AR 710451	0524076	BE-AR 710127
0523802	BE-AR 1196	0523883	BE-AR 494123	0524007	BE-AR 710790	0524077	BE-AR 225530
0523803	BE-AR 229010	0523884	BE-AR 225220	0524008	BE-AR 710554	0524078	BE-AR 716484
0523805	BE-AR 710231	0523885	BE-AR 710191	0524009	BE-AR 710554	0524079	BE-AR 710786
0523806	BE-AR 710292	0523886	BE-AR 226610	0524010	BE-AR 224650	0524080	BE-AR 710848
0523808	BE-AR 225230	0523889	BE-AR 710397	0524012	BE-AR 710886	0524081	BE-AR 710626
0523809	BE-AR 225230	0523891	BE-AR 224520	0524014	BE-AR 710237	0524082	BE-AR 710569
0523810	BE-AR 1994	0523892	BE-AR 5604	0524015	BE-AR 2025	0524084	BE-AR 710478
0523811	BE-AR 710293	0523894	BE-AR 1176	0524016	BE-AR 710600	0524085	BE-AR 225010
0523812	BE-AR 8835S	0523895	BE-AR 710115	0524017	BE-AR 228008	0524087	BE-AR 223542
0523813	BE-AR 712938	0523896	BE-AR 473823	0524018	BE-AR 710861	0524088	BE-AR 225005
0523814	BE-AR 8660S	0523898	BE-AR 710290	0524019	BE-AR 229005	0524089	BE-AR 710572
0523815	BE-AR 710453	0523901	BE-AR 710271	0524020	BE-AR 710785	0524090	BE-AR 8835S
0523816	BE-AR 226285	0523902	BE-AR 223018	0524021	BE-AR 710897	0524091	BE-AR 4762N
0523817	BE-AR 224210	0523903	BE-AR 710143	0524022	BE-AR 710522	0524093	BE-AR 710576
0523818	BE-AR 710823	0523904	BE-AR 710289	0524026	BE-AR 710352	0524094	BE-AR 710439
0523819	BE-AR 221510	0523905	BE-AR 223510	0524027	BE-AR 710707	0524095	BE-AR 225450
0523821	BE-AR 4934	0523906	BE-AR 710218	0524028	BE-AR 710711	0524096	BE-AR 1176
0523823	BE-AR 710806	0523908	BE-AR 710465	0524029	BE-AR 224052	0524097	BE-AR 225275
0523824	BE-AR 710199	0523909	BE-AR 714436	0524030	BE-AR 224015	0524098	BE-AR 710756
0523825	BE-AR 320603	0523910	BE-AR 710676	0524031	BE-AR 710354	0524099	BE-AR 710764
0523826	BE-AR 223540	0523911	BE-AR 710526	0524032	BE-AR 710881	0524100	BE-AR 710588
0523827	BE-AR 710575	0523912	BE-AR 716484	0524033	BE-AR 710621	0524101	BE-AR 710711
0523828	BE-AR 350609	0523913	BE-AR 710521	0524034	BE-AR 710621	0524102	BE-AR 2025
0523829	BE-AR 710387	0523914	BE-AR 711181	0524035	BE-AR 228411	0524103	BE-AR 2025
0523830	BE-AR 712007	0523918	BE-AR 710639	0524036	BE-AR 710610	0524104	BE-AR 710765
0523831	BE-AR 223240	0523919	BE-AR 710713	0524037	BE-AR 711005	0524105	BE-AR 710871
0523832	BE-AR 710093	0523920	BE-AR 710187	0524038	BE-AR 710608	0524106	BE-AR 710765
0523833	BE-AR 320583	0523921	BE-AR 710574	0524040	BE-AR 710460	0524107	BE-AR 710573
0523834	BE-AR 710520	0523922	BE-AR 710465	0524041	BE-AR 223420	0524108	BE-AR 223230
0523835	BE-AR 710553	0523924	BE-AR 710189	0524042	BE-AR 710608	0524109	BE-AR 224020
0523838	BE-AR 2025	0523925	BE-AR 224650	0524043	BE-AR 710617	0524110	BE-AR 223801
0523840	BE-AR 222820	0523929	BE-AR 710525	0524045	BE-AR 3909	05203590	CHRY5 710056
0523841	BE-AR 226020	0523934	BE-AR 227235	0524046	BE-AR 3772	05205591	CHRY5 3459
0523842	BE-AR 224520	0523935	BE-AR 223801	0524047	BE-AR 482041N	052173	GEHL 321516
0523846	BE-AR 1992	0523936	BE-AR 710614	0524047	BE-AR 710837	052173	GEHL 471516
0523851	BE-AR 494122	0523939	BE-AR 710608	0524050	BE-AR 710819	052176	ALLCH 455035N
0523853	BE-AR 227530	0523940	BE-AR 710767	0524051	BE-AR 3051N	052392	ALLCH 417316
0523854	BE-AR 224252	0523980	BE-AR 710056	0524052	BE-AR 2025	05245135	CHRY5 471424V
0523855	BE-AR 1209	0523981	BE-AR 710767	0524053	BE-AR 713771	052514634LPD	JN-MN 415645
0523856	BE-AR 1979	0523982	BE-AR 224200	0524054	BE-AR 224200	05257042LUP	JN-MN 417262
0523857	BE-AR 710403	0523983	BE-AR 714436	0524055	BE-AR 225875	05257042LUP	JN-MN 455448
0523858	BE-AR 1955	0523984	BE-AR 494122	0524056	BE-AR 710477	05257112LUP	JN-MN 415645
0523860	BE-AR 1986	0523985	BE-AR 223010	0524058	BE-AR 710589	05259964LPD	JN-MN 417549
0523861	BE-AR 225225	0523986	BE-AR 3771	0524059	BE-AR 710468	05252499	CHRY5 4857
0523862	BE-AR 223840	0523987	BE-AR 229005	0524060	BE-AR 228009	052640	ALLCH 470163
0523864	BE-AR 710337	0523988	BE-AR 231003	0524061	BE-AR 4762N	052640	ALLCH 471766

INTERCHANGE SECTION

COMPETITIVE INTERCHANGES

Mfr No.	Mfr.	National	Mfr No.	Mfr.	National	Mfr No.	Mfr.	National	Mfr No.	Mfr.	National
052662	ALLCH	240735	056103051A	AUDI	228480	057541100	EATON	415725	06030076	ALLCH	471795
052794	GMC	470682	056103051A	VW	228480	057548	ALLCH	415045	06034623	ALLCH	473016
053219	GMC	473226	056103051D	AUDI	716102	05784BRGP	SABO	223235	060426184	MAZDA	224255
053243	ALLCH	240736	056103051D	PORSC	716102	05845	FBG	1209	060427018	MAZDA	712011
053279	GMC	471735	056103085	PORSC	3476	058519	REX	416888	06049738	ALLCH	416888
053496	ALLCH	417343	056103085	VW	3476	058531	NATEN	471766	06049738	ALLCH	455200
053517	ALLCH	417205	056103085A	AUDI	3476	058531	REX	471766	060504AB	CASE	410308
053670	ALLCH	417316	056103085A	VW	3476	05861	FBG	225500	060504AB	CASE	450308
053670	ALLCH	455004	056103085B	PORSC	3476	05861AB	CASE	470062	06075AB	CASE	471646
053710598LUP	JN-MN	417551	056103085B	VW	3476	05861AB	CASE	474264	060775	ALLCH	471267
053712089LPD	JN-MN	415938	056103085E	VW	3476	058713816LPD	JN-MN	455297	060809VC	TRSCM	340387
053716549LUP	JN-MN	455576	056900	ELRNG	710799	05879654LUP	JN-MN	416476	06081SM	TRSCM	253747
05377193LPD	JN-MN	417554	05602404	TROS	350156	05879654LUP	JN-MN	455075	06081SM	TRSCM	340849
05386	FBG	1962	05602404	TROS	473096	058876	ALLCH	415379	06081VM	TRSCM	340387
053926	ALLCH	240731	05602405	TROS	350156	05894	FBG	482126	0608722	GMC	470120
053927	ALLCH	240733	05602405	TROS	473096	059103051G	AUDI	710279	0608722	GMC	471224
054115147	AUDI	710618	05602804	TROS	472810	059103051G	VW	710279	0609108	THIOK	415960
054115147	VW	710618	05603104	TROS	340771	059103051J	AUDI	710279	06091VB	TRSCM	343105
054115147B	AUDI	710618	05603204	TROS	342613	059103051J	VW	710279	060920	ALLCH	416664
054115147B	SEAT	710618	05603205	TROS	342613	059103051H	AUDI	710761	060920	ALLCH	455364
054115147B	SKODA	710618	05604002	TROS	340849	059103051H	VW	710761	06092TB	TRSCM	351487
054115147B	VW	710618	056092SB	TRSCM	472705	059103051K	AUDI	710761	06092TB	TRSCM	7188S
054074	ALLCH	416271	056103051D	VW	716102	059103051K	VW	710761	06092VB	TRSCM	7188S
05422	FBG	1012N	056103085B	AUDI	3476	059103085E	AUDI	716484	060931VB	TRSCM	7399S
054270	ALLCH	412119	056112TB	TRSCM	471281	059105257A	AUDI	J1105	06101PVB	TRSCM	314267N
054270	ALLCH	450101	056122TB	TRSCM	471535	059246	ALLCH	470219	06106	CHECK	7412S
054295	ALLCH	411394	056132TB	TRSCM	471551	059246	ALLCH	471649	06111SB	TRSCM	474261
054295	ALLCH	450317	056210152LUP	JN-MN	417556	059310258LPD	JN-MN	417780	06112SB	TRSCM	340009S
05436764LA	JN-MN	55357	056216720LDS	JN-MN	417555	05939351LPD	JN-MN	417780	06112TB	TRSCM	471466
05439	JAC	481073	056260015LDS	JN-MN	417556	05939401LPD	JN-MN	417780	06112TB	TRSCM	471466V
05485	NATEN	417539	05626533LPD	JN-MN	417555	059325	ALLCH	417316	06112VTB	TRSCM	471466V
055103173B	AUDI	710848	05620006	JA-HE	450083	05938609	AMGEN	3946	06113TA	TRSCM	471466
055103173B	VW	710848	05620006	JA-HE	472924	059463900	EATON	55353	06117618	ALLCH	455035N
055010302LPD	JN-MN	417361	05620007	JA-HE	473213	05950	SIDEW	205004	061210311LUP	JN-MN	455330
055014438LPD	JN-MN	416191	05620008	JA-HE	450519	059931VC	TRSCM	340797	061210381LPD	JN-MN	455330
05501684LPD	JN-MN	416107	05620008	JA-HE	471271	059947	ALLCH	470898	06122TB	TRSCM	471264
05501684LPD	JN-MN	455073	05620009	JA-HE	471646	06201	BAT	614743	06127	CHECK	473234
05502662LPD	JN-MN	416107	0572106	EATON	411253	06203	BAT	614743	0612B	GOODM	471567
05504825LUP	JN-MN	476842	0572106	EATON	450099	06348	BAT	614837	061316103	MAZDA	222430
05505926LUP	JN-MN	417254	05727AB	CASE	471763	06403	BAT	614743	06132TB	TRSCM	471255
05507186LUP	JN-MN	416107	057288	ALLCH	410316	06404	BAT	614743	06132TB	TRSCM	471255V
05507186LUP	JN-MN	455073	057288	ALLCH	472636	06424	BAT	614743	06132VTB	TRSCM	471255V
055000919	EATON	471466	05740017	AMGEN	3173	06425	BAT	614743	06134SSTB	TRSCM	471255
05502GHSI	SABO	710848	05740017	AMGEN	710928	060012196LUP	JN-MN	417365	061352	ALLCH	473179
05506270LA	JN-MN	417254	05742152	AMGEN	3945	060016079LDS	JN-MN	415683	0614819	OPEL	710237
055231	ALLCH	472070	05743226	AMGEN	710258	06002499LUP	JN-MN	415683	0614827	OPEL	710237
055281	GEHL	450461	05743285	AMGEN	3945	06005610LUP	JN-MN	415072	0614829	OPEL	710237
055281	GEHL	473440	05743892	AMGEN	5512	06006719LA	JN-MN	415072	0614840	OPEL	710237
055282	GEHL	450183	05743936	AMGEN	710891	06008947LUP	JN-MN	415072	0614858	OPEL	710799
055282	GEHL	472179	05745875	AMGEN	710892	06009514LUP	JN-MN	415683	06152SZ	TRSCM	471612
055283	GEHL	413248	05745876	AMGEN	710601	06009993LUP	JN-MN	415072	061696	ALLCH	415013
055391	ALLCH	470625	05745995	AMGEN	710585	06003803	TROS	340797	061696	ALLCH	415995
055392	ALLCH	471567	057510303LUP	JN-MN	416666	06004003	TROS	7399S	06184864LUP	JN-MN	455583N
05569	FBG	1174	057512423LUP	JN-MN	416039	06010AB	CASE	450621	06186621	ALLCH	470954
05579	FBG	239155	057514915LPD	JN-MN	416666	06017AB	CASE	473466	06186621	ALLCH	480954
05584	FBG	1012N	057515839LUP	JN-MN	415447	060316103	MAZDA	1990	06198881	ALLCH	472179
05586	FBG	225500	057518542LUP	JN-MN	417362	060326154	MAZDA	473823	06198907	ALLCH	416891
055933065	MAZDA	227020	05758822LPD	JN-MN	417362	060326157	MAZDA	1994	06199004	ALLCH	471138
055941	GMC	415960	05759165LUP	JN-MN	416666	060333065	MAZDA	1992	06207849	ALLCH	450194
055941	GMC	455009	05759548LUP	JN-MN	417362	06030027	ALLCH	476838	06207849	ALLCH	473010

INTERCHANGE SECTION

COMPETITIVE INTERCHANGES



Mfr No.	Mfr. National	Mfr No.	Mfr. National	Mfr No.	Mfr. National	Mfr No.	Mfr. National
06237	CHECK 8160S	06512990	ALLCH 415483	068103171G	VW 710848	06B103171J	AUDI 710759
062438558	SUBAR 223830	065133SB	TRSCM 481073	068105085E	AUDI 3476	06B103171J	VW 710759
062440528	SUBAR 224015	065136001	WHITE 415156N	068105085E	VW 3476	06C103085	AUDI 224200
06257194LPD	JN-MN 455480	065152TB	TRSCM 481397	068198171	AUDI 716102	06C103085	BENTL 224200
06258804LPD	JN-MN 455480	065611500	EATON 471466	068198171	SEAT 716102	06C103085	VW 224200
06258949LUP	JN-MN 417562	06581144	ALLCH 415147N	068198171	VW 716102	06C103085	ROLLS 224200
062559400	EATON 412473	06589428	ALLCH 416470N	068198171A	AUDI 716102	06D103151B	AUDI 710618
062559400	EATON 415894	066109091A	AUDI 710857	068198171A	VW 716102	06D103151B	VW 710618
06283576	ALLCH 415991	066109091A	VW 710857	068198171S	AUDI 716102	06D103151C	AUDI 710618
06283576	ALLCH 415991N	0661010	LILIS 471692	068198171S	VW 716102	06D103151C	VW 710618
06284855	ALLCH 415098N	066111SB	TRSCM 481481	068103051L	VW 716102	06E103051	AUDI 711007
06288948	ALLCH 415379	066122VB	TRSCM 8773S	068112SB	TRSCM 471529	06E103051	VW 711007
06289417	ALLCH 415449	06628431LPD	JN-MN 417298	068112TC	TRSCM 471529	06H103171A	AUDI 710759
06290407	ALLCH 417316	066309	ALLCH 455018	068122SB	TRSCM 471538	06H103171A	VW 710759
06326086	ALLCH 471413V	066309	ALLCH 476470	068122TZ	TRSCM 471538	06H103085G	AUDI 710887
0634300040	ZF 221207	06680334	ALLCH 340771	068132SB	TRSCM 471553	06H103085G	VW 710887
0634300355	ZF 1129	066860	ALLCH 415035	068133TC	TRSCM 471553	06H103171F	AUDI 710759
0634300456	ZF 710642	0672E498	GMC OK311	06814SB	TRSCM 471579	06L103085	AUDI 710887
0634300497	ZF 224252	0672F013	GMC OK411	068513	ALLCH 472144	06L103085	VW 710887
06345193	ALLCH 417269	067510062LUP	JN-MN 417596	068714128LDS	JN-MN 455584	06L103085B	AUDI 710887
06347033	ALLCH 417344	067512078LPD	JN-MN 417596	068719138LUP	JN-MN 455584	06L103085B	VW 710887
06357784	ALLCH 415836	067514821LDS	JN-MN 415327	069115147	AUDI 710618	06M5026901	WHITE J1127
06357784	ALLCH 415995	067516763LDS	JN-MN 417596	069115147C	AUDI 710618	06M5050101	WHITE J1121
063610602	MAZDA 8316	067518711LPD	JN-MN 417596	069115147C	VW 710618	06M5572501	WHITE 473237
063616103	KIA 1990	06757208LUP	JN-MN 415327	069115147E	AUDI 710618	06X5422301	WHITE J1126
063616103	MAZDA 1990	06759048LUP	JN-MN 415327	069115147E	VW 710618	06X5422601	WHITE 415196
0636838	OPEL 714436	06759290LPD	JN-MN 415327	069115147F	AUDI 1108	070103051A	VW 711007
0636841	OPEL 714436	067541	ALLCH 471466	069115147F	VW 1108	070103051A	AUDI 711007
063717886LUP	JN-MN 417563	0675AB	CASE 471646	069115147	VW 710618	070010063LPD	JN-MN 416364
0638197	OPEL 224200	067913	ALLCH 471820	06946AB	CASE 473424	070011577LPD	JN-MN 416239
0638199	OPEL 224200	067914	ALLCH 470169	06949AB	CASE 473424	070013240LDS	JN-MN 416364
06383863	ALLCH 471651	067914	ALLCH 473214	069641	ALLCH 330385	070017062LUP	JN-MN 417597
064302	ALLCH 450095	068103085E	AUDI 3476	069749	GMC 473211	070017746LDS	JN-MN 416239
064302	ALLCH 473464	068103085E	VW 3476	069897	GMC 471192	07006840LUP	JN-MN 417597
064305	ALLCH 470682	068103051A	AUDI 716102	06A103085B	VW 711008	07006862LPD	JN-MN 416364
06435606	ALLCH 471267	068103051A	VW 716102	06A103085	AUDI 710618	07009304LUP	JN-MN 416239
064474	GEHL 470351	068103051G	AUDI 716102	06A103085	VW 710618	07011583	CORTE 223020
064474	GEHL 471504	068103051G	SEAT 716102	06A103085B	AUDI 711008	07011583B	CORTE 223020
064551	EATON 470737N	068103051G	SKODA 716102	06A103171A	AUDI 710617	0701210048	KOMAT 710313
0646299	OPEL 710799	068103051G	VW 716102	06A103171A	VW 710617	0703587	OPEL 710543
06486203	ALLCH 416345	068103051P	AUDI 716102	06A103171B	AUDI 710617	07040015	GMC 470334
06486203	ALLCH 455033	068103051P	VW 716102	06A103171B	VW 710617	07040015	GMC 50289
06492664	ALLCH 415995V	068103053	AUDI 716102	06A103171C	AUDI 710617	07040134	GMC 50081
065010267LUP	JN-MN 415294	068103053	SEAT 716102	06A103171C	VW 710617	07040279	GMC 472560N
065010267LUP	JN-MN 455294	068103053	VW 716102	06A103171D	AUDI 710617	07040279	GMC 50151S
065010715LUP	JN-MN 415294	068103071F	AUDI 716102	06A103171D	VW 710617	07040283	GMC 471652
065012772LUP	JN-MN 415294	068103071F	VW 716102	06A103171G	AUDI 710617	07040291	GMC 471763
065016762LDS	JN-MN 416229	068103085A	AUDI 3476	06A103171G	VW 710617	07040298	GMC 473426
06508950LUP	JN-MN 416229	068103085A	SEAT 3476	06B103085	AUDI 710618	07040359	GMC 473234
06504AB	CASE 410308	068103085A	SKODA 3476	06B103085	VW 710618	07040405	GMC 473471
06504AB	CASE 450308	068103085A	VW 3476	06B103085A	AUDI 3476	07040424	GMC 415483
06506778	ALLCH 471529	068103085E	SEAT 3476	06B103085A	VW 3476	07040431	GMC 415984
06507	FBG 4175	068103085F	VW 3476	06B103171A	AUDI 710617	07040442	GMC 415088
065089404	WHITE 471554	068103085G	AUDI 3476	06B103171A	VW 710617	07040442	GMC 455088
065089406	WHITE 471808	068103085Q	SEAT 3476	06B103171B	AUDI 710759	07040444	GMC 417171
065097801	WHITE J1134	068103085Q	VW 3476	06B103171B	VW 710759	07040538	GMC 352354
065101102	WHITE 417269	068103085R	VW 3476	06B103171D	AUDI 710759	07040538	GMC 472354
065112SB	TRSCM 481528	068103171F	AUDI 710848	06B103171D	VW 710759	07040546	GMC 472397
065122SB	TRSCM 340469	068103171F	VW 710848	06B103171E	AUDI 710759	07040573	GMC 470954
065122SB	TRSCM 481537	068103171G	AUDI 710848	06B103171E	VW 710759	07040628	GMC 470950

INTERCHANGE SECTION

COMPETITIVE INTERCHANGES

Mfr No.	Mfr. National	Mfr No.	Mfr. National	Mfr No.	Mfr. National	Mfr No.	Mfr. National
07040628	GMC 6241S	07041749	GMC 472144	07042118	GMC 472015	07043231	GMC 410524
07040640	GMC 450154	07041773	GMC 340387	07042120	GMC 6703S	07043232	GMC 415047
07040640	GMC 473234	07041782	GMC 471538	07042190	GMC 473439	07043234	GMC 416130
07040699	GMC 450389	07041783	GMC 471553	07042204	GMC 472653	07043235	GMC 441319
07040699	GMC 472492	07041789	GMC 450030	07042256	GMC 416292	07043237	GMC 450342
07040730	GMC 450068	07041789	GMC 474253	07042270	GMC 470328	07043241	GMC 471571
07040748	GMC 416011	07041801	GMC 450040	07042270	GMC 481213	07043242	GMC 473380
07040748	GMC 417621	07041807	GMC 471760	07042287	GMC 473441	07043244	GMC 472536
07040749	GMC 416288	07041809	GMC 321516	07042289	GMC 473313	07043273	GMC 415147
07040893	GMC 471868	07041809	GMC 471516	07042315	GMC 450025	07043273	GMC 415449
07040897	GMC 415483	07041815	GMC 350974	07042315	GMC 471553	07043277	GMC 415683
07040918	GMC 481650	07041818	GMC 43076S	07042343	GMC 340850	07043280	GMC 471231
07040993	GMC 416654	07041821	GMC 471413	07042344	GMC 3395	07043304	GMC 473240
07040993	GMC 455012	07041831	GMC 473215	07042351	GMC 481644	07043315	GMC 415009
07041065	GMC 450341	07041832	GMC 473197	07042352	GMC 410520	07043315	GMC 415960
07041069	GMC 55357	07041833	GMC 6241S	07042352	GMC 471272	07043323	GMC 471354
07041071	GMC 455434	07041835	GMC 471835	07042411	GMC 43080S	07043327	GMC 450194
07041074	GMC 412920	07041837	GMC 450452	07042415	GMC 472179	07043327	GMC 473010
07041096	GMC 343123	07041837	GMC 473197	07042423	GMC 473212	07043332	GMC 450069
07041107	GMC 471549	07041842	GMC 481163	07042424	GMC 450463	07043332	GMC 473232
07041110	GMC 471532	07041843	GMC 470625	07042425	GMC 450335	07043344	GMC 413246
07041130	GMC 471684	07041844	GMC 7886S	07042427	GMC 450090	07043344	GMC 413246N
07041130	GMC 471698	07041845	GMC 473228	07042428	GMC 481073	07043348	GMC 416706
07041132	GMC 471231	07041845	GMC 481837	07042476	GMC 450065	07043348	GMC 455272
07041144	GMC 470219	07041858	GMC 450066	07042482	GMC 450776	07043351	GMC 417356
07041144	GMC 471649	07041858	GMC 473367	07042489	GMC 455117	07043351	GMC 455188
07041145	GMC 471689	07041867	GMC 472185	07042493	GMC 470590	07043352	GMC 416888
07041155	GMC 470712	07041868	GMC 450070	07042495	GMC 343104	07043352	GMC 455200
07041172	GMC 472258	07041868	GMC 472185	07042496	GMC 474278	07043353	GMC 417247
07041172	GMC 480570	07041876	GMC 353120	07042497	GMC 470045	07043356	GMC 416107
07041187	GMC 240319	07041890	GMC 6879H	07042497	GMC 476838	07043356	GMC 455073
07041191	GMC 453065	07041899	GMC 410694	07042498	GMC 471820	07043385	GMC 350909
07041209	GMC 450078	07041925	GMC 455015	07042860	GMC 472311	07043385	GMC 471224
07041209	GMC 473444	07041931	GMC 476470	07042865	GMC 471649	07043389	GMC 340817
07041215	GMC 470351	07041935	GMC 415991	07042868	GMC 471705	07043418	GMC 471633
07041215	GMC 471504	07041935	GMC 415991N	07042871	GMC 472354	07043470	GMC 342613
07041220	GMC 470088	07041986	GMC 450494	07042871	GMC 50395S	07043471	GMC 471652
07041264	GMC 416273	07041986	GMC 472164	07042889	GMC 450316	07043487	GMC 5865
07041284	GMC 415995	07041987	GMC 352541	07042889	GMC 472636	07043498	GMC 450489
07041284	GMC 455013	07042012	GMC 472258	07042893	GMC 415458	07043498	GMC 473244
07041303	GMC 415023	07042037	GMC 470354	07042893	GMC 455003	07043499	GMC 4739
07041379	GMC 415645	07042085	GMC 450121	07042901	GMC 415836	07043501	GMC 450362
07041472	GMC 470954	07042085	GMC 472409	07042901	GMC 415995	07043505	GMC 455321
07041697	GMC 470163	07042094	GMC 412871	07042920	GMC 415124	07043514	GMC 40370S
07041697	GMC 471766	07042094	GMC 450329	07042923	GMC 341022	07043531	GMC 416664
07041701	GMC 415003	07042095	GMC 412119	07042925	GMC 470027	07043531	GMC 455364
07041701	GMC 415458	07042095	GMC 450101	07042925	GMC 471554	07043542	GMC 45031S
07041702	GMC 416666	07042096	GMC 416267	07042933	GMC 471866	07043564	GMC 415697
07041703	GMC 417357	07042097	GMC 455005	07042953	GMC 416041	07043568	GMC 473241
07041706	GMC 412920	07042098	GMC 417181	07042954	GMC 455566	07043572	GMC 450260
07041706	GMC 450132	07042099	GMC 415437	07042964	GMC 410496	07043607	GMC 416370
07041707	GMC 450291	07042100	GMC 455195	07042965	GMC 471103	07043613	GMC 5877
07041707	GMC 471141	07042100	GMC 472157	07042967	GMC 240733	07043630	GMC 442380
07041713	GMC 471076	07042103	GMC 415294	07042979	GMC 474278	07043632	GMC 240151
07041714	GMC 471272	07042103	GMC 455294	07043017	GMC 340827	07043633	GMC 340787
07041715	GMC 471316	07042104	GMC 415867	07043032	GMC 451182	07043634	GMC 331301N
07041722	GMC 416273	07042109	GMC 471281	07043034	GMC 416775	07043636	GMC 470064
07041723	GMC 480630	07042111	GMC 471272	07043217	GMC 5976S	07043636	GMC 471821
07041723	GMC 480991	07042112	GMC 471267	07043218	GMC 6703S	07043637	GMC 473466
07041737	GMC 474277	07042117	GMC 470898	07043228	GMC 240356	07043638	GMC 473461

INTERCHANGE SECTION

COMPETITIVE INTERCHANGES



Mfr No.	Mfr. National	Mfr No.	Mfr. National	Mfr No.	Mfr. National	Mfr No.	Mfr. National
07043640	GMC 415001	07044135	GMC 415379	07046119	GMC 470682	07046615	GMC 415085
07043640	GMC 455001	07044160	GMC 470169	07046123	GMC 340927	07046615	GMC 456648
07043641	GMC 416154	07044160	GMC 473214	07046127	GMC 43095S	07046616	GMC 412027
07043646	GMC 450083	07044171	GMC 417254	07046130	GMC 473233	07046617	GMC 8059S
07043646	GMC 472924	07044212	GMC 40433S	07046131	GMC 473445	07046621	GMC 471567
07043653	GMC 472826	07044231	GMC 417351	07046133	GMC 240119	07046732	GMC 5836
07043656	GMC 327303	07044231	GMC 455154	07046134	GMC 471526	07046733	GMC 8705S
07043658	GMC 351466	07044317	GMC 480889	07046135	GMC 450400	07046734	GMC 40652S
07043658	GMC 471466	07044324	GMC 413478	07046143	GMC 473449	07046735	GMC 472810
07043668	GMC 455079	07044351	GMC 417491	07046144	GMC 473451	07046736	GMC 203029
07043716	GMC 450067	07044488	GMC 473204	07046149	GMC 472041	07046739	GMC 415302
07043716	GMC 473228	07044490	GMC 417505	07046149	GMC 473454	07046740	GMC 416047
07043717	GMC 470712	07044511	GMC 340151	07046150	GMC 473454	07046740	GMC 416332
07043719	GMC 473237	07044544	GMC 471887	07046157	GMC 472492	07046741	GMC 416345
07043747	GMC 471276	07044549	GMC 471224	07046160	GMC 473467	07046742	GMC 417196
07043763	GMC 473226	07044553	GMC 416077	07046163	GMC 440972	07046743	GMC 417269
07043766	GMC 450115	07044554	GMC 455308	07046164	GMC 455080	07046744	GMC 417349
07043766	GMC 473467	07044568	GMC 417488	07046167	GMC 471138	07046745	GMC 417351
07043768	GMC 450415	07044589	GMC 417515	07046171	GMC 411394	07046746	GMC 417490
07043769	GMC 472319	07044910	GMC 450639	07046183	GMC 253747	07046747	GMC 417493
07043770	GMC 472951	07044916	GMC 471192	07046184	GMC 417079	07046748	GMC 417526
07043770	GMC 474252	07045279	GMC 470189	07046188	GMC 476281	07046750	GMC 451082
07043774	GMC 471915	07045279	GMC 471692	07046262	GMC 416332	07046751	GMC 455019
07043776	GMC 471692	07045280	GMC 473446	07046263	GMC 40555	07046752	GMC 455197N
07043779	GMC 476838	07045283	GMC 415498	07046263	GMC 40555S	07046753	GMC 455480
07043854	GMC 472397	07045295	GMC 416149	07046264	GMC 471526	07046754	GMC 470380
07043869	GMC 5166	07045480	GMC 471516	07046268	GMC 455022	07046755	GMC 470590
07043950	GMC 472015	07045481	GMC 415227	07046346	GMC 470347	07046756	GMC 474253
07043956	GMC 472826	07045503	GMC 440265	07046346	GMC 474254	07046757	GMC 471137
07043960	GMC 471281	07045504	GMC 416345	07046351	GMC 450352	07046758	GMC 471264
07043972	GMC 417262	07045504	GMC 455033	07046351	GMC 472164	07046759	GMC 471267
07043990	GMC J1101	07045505	GMC 417514	07046380	GMC 417570	07046760	GMC 471413
07043991	GMC J1122	07045586	GMC 415196	07046382	GMC 415116	07046761	GMC 471466
07044020	GMC J1103	07045596	GMC 472164	07046383	GMC 411253	07046762	GMC 471472
07044022	GMC J1105	07045597	GMC 415988	07046383	GMC 450099	07046763	GMC 470351
07044023	GMC J1106	07045598	GMC 417316	07046385	GMC 417316	07046764	GMC 471529
07044024	GMC J1107	07045599	GMC 416339	07046385	GMC 455004	07046765	GMC 471553
07044026	GMC J1109	07045600	GMC 415035	07046386	GMC 416339	07046766	GMC 471564
07044028	GMC J1111	07045600	GMC 415953	07046386	GMC 455031	07046767	GMC 471570
07044032	GMC J1115	07045601	GMC 415449	07046387	GMC 415035	07046768	GMC 471647
07044034	GMC J1117	07045602	GMC 470334	07046387	GMC 455035	07046769	GMC 471730
07044035	GMC J1118	07045603	GMC 471785	07046388	GMC 415449	07046770	GMC 471744
07044036	GMC J1119	07045846	GMC 416229	07046388	GMC 455147	07046771	GMC 471763
07044038	GMC J1121	07045859	GMC 471442	07046389	GMC 450076	07046772	GMC 471869
07044039	GMC J1123	07045961	GMC 415086N	07046389	GMC 470334	07046772	GMC 473459
07044040	GMC J1124	07045961	GMC 417487	07046437	GMC 415962	07046773	GMC 472439
07044041	GMC J1125	07046061	GMC 474252	07046440	GMC 471567	07046774	GMC 472475
07044042	GMC J1126	07046068	GMC 471692	07046459	GMC 450188	07046775	GMC 472492
07044043	GMC J1127	07046070	GMC 471692	07046505	GMC 416654	07046776	GMC 473231
07044044	GMC J1128	07046077	GMC 474260	07046516	GMC 416294	07046777	GMC 473236
07044046	GMC J1130	07046080	GMC 473427	07046523	GMC 456744N	07046778	GMC 473445
07044047	GMC J1131	07046082	GMC 473203	07046527	GMC 415034	07046779	GMC 476838
07044048	GMC J1132	07046094	GMC 473211	07046530	GMC 455134	07046780	GMC 417159
07044050	GMC J1134	07046102	GMC 450444	07046550	GMC 417365	07046781	GMC 417298
07044052	GMC J1136	07046102	GMC 471835	07046554	GMC 473407	07046782	GMC 417344
07044054	GMC J1138	07046103	GMC 323125	07046557	GMC 471539	07046783	GMC 417350
07044056	GMC J1140	07046103	GMC 450456	07046562	GMC 471729	07046784	GMC 417355
07044057	GMC J1141	07046109	GMC 203013	07046565	GMC 473414	07046785	GMC 417356
07044070	GMC 455123	07046113	GMC 473440	07046589	GMC 471787	07046786	GMC 417357
07044091	GMC 417621	07046116	GMC 472213	07046590	GMC 415077	07046787	GMC 417484

INTERCHANGE SECTION

COMPETITIVE INTERCHANGES

Mfr No.	Mfr.	National	Mfr No.	Mfr.	National	Mfr No.	Mfr.	National	Mfr No.	Mfr.	National
07046787	GMC	417484N	07046840	GMC	473446	07046908	GMC	415937	07047191	GMC	480491
07046788	GMC	417491	07046841	GMC	473449	07046909	GMC	415938	07047193	GMC	50528
07046789	GMC	417507	07046842	GMC	480210	07046910	GMC	415960	07047202	GMC	411348
07046790	GMC	417511	07046843	GMC	40395	07046911	GMC	416077	07047203	GMC	55028
07046791	GMC	417541	07046843	GMC	40395S	07046912	GMC	416107	07047204	GMC	55030
07046792	GMC	417546	07046844	GMC	350435	07046913	GMC	416137	07047205	GMC	55078S
07046793	GMC	417555	07046845	GMC	412861	07046914	GMC	416154	07047207	GMC	55103S
07046794	GMC	417562	07046846	GMC	416239	07046915	GMC	416158	07047208	GMC	417563
07046795	GMC	417600	07046847	GMC	417601	07046916	GMC	416229	07047213	GMC	55238
07046796	GMC	417602	07046848	GMC	471341	07046917	GMC	416364	07047220	GMC	55337
07046797	GMC	417604	07046849	GMC	471649	07046918	GMC	416556	07047222	GMC	55353
07046798	GMC	417608	07046850	GMC	471651	07046918	GMC	472157	07047227	GMC	416153
07046799	GMC	450161	07046851	GMC	472213	07046919	GMC	416624	07047232	GMC	200642
07046799	GMC	471764	07046852	GMC	472924	07046920	GMC	416666	07047234	GMC	200338
07046800	GMC	414268	07046853	GMC	473214	07046921	GMC	416865	07047235	GMC	200752
07046800	GMC	450539	07046855	GMC	412027	07046966	GMC	5115	07047236	GMC	200854
07046801	GMC	450593	07046856	GMC	417481	07046968	GMC	410737	07047238	GMC	200861
07046802	GMC	470806	07046857	GMC	450545	07046968	GMC	450737	07047240	GMC	200885
07046803	GMC	450911N	07046858	GMC	470898	07047003	GMC	411253	07047241	GMC	203002
07046804	GMC	451147H	07046859	GMC	3492V	07047095	GMC	200851	07047242	GMC	204029
07046805	GMC	451857	07046861	GMC	6949S	07047123	GMC	5146	07047242	GMC	204507
07046806	GMC	455134	07046862	GMC	7751H	07047124	GMC	5167	07047243	GMC	204017
07046807	GMC	455186	07046863	GMC	7781S	07047125	GMC	5168	07047244	GMC	205004
07046808	GMC	455194	07046864	GMC	40027S	07047126	GMC	5169	07047246	GMC	205035
07046809	GMC	455356	07046866	GMC	40140S	07047127	GMC	5170	07047249	GMC	240457
07046810	GMC	455584	07046868	GMC	40494S	07047130	GMC	5399	07047250	GMC	240716
07046811	GMC	470077	07046872	GMC	41526S	07047133	GMC	5521	07047251	GMC	240949
07046811	GMC	474281	07046875	GMC	350156	07047134	GMC	5527	07047254	GMC	471224
07046812	GMC	470163	07046875	GMC	473096	07047135	GMC	5531	07047255	GMC	471264
07046812	GMC	471766	07046877	GMC	471103	07047136	GMC	5532	07047256	GMC	471442
07046813	GMC	470625	07046877	GMC	50197S	07047137	GMC	5537	07047257	GMC	471649
07046814	GMC	470950	07046880	GMC	203025	07047138	GMC	5538	07047259	GMC	472324
07046814	GMC	6241S	07046881	GMC	240319	07047139	GMC	6357S	07047260	GMC	473224
07046815	GMC	471138	07046882	GMC	240735	07047140	GMC	6380	07047261	GMC	323119
07046816	GMC	471224	07046883	GMC	252277	07047143	GMC	6760S	07047262	GMC	474278
07046817	GMC	471271	07046884	GMC	345035	07047145	GMC	7512SSO	07047264	GMC	323133
07046818	GMC	471391	07046885	GMC	410312N	07047146	GMC	8362	07047265	GMC	323138
07046819	GMC	471419	07046886	GMC	411376	07047147	GMC	9555S	07047267	GMC	327215
07046819	GMC	473367	07046887	GMC	412119	07047148	GMC	9600S	07047267	GMC	415035
07046820	GMC	471551	07046888	GMC	412920	07047149	GMC	40157S	07047269	GMC	340495
07046821	GMC	471554	07046889	GMC	412943	07047153	GMC	40568S	07047270	GMC	340771
07046822	GMC	471652	07046890	GMC	413469	07047155	GMC	41264S	07047272	GMC	340835
07046823	GMC	471705	07046891	GMC	413479	07047158	GMC	42081S	07047274	GMC	340849
07046824	GMC	471760	07046892	GMC	415001	07047159	GMC	42311S	07047275	GMC	340853
07046825	GMC	471765	07046893	GMC	415027	07047161	GMC	42421S	07047276	GMC	340930
07046826	GMC	471820	07046894	GMC	415036	07047162	GMC	312518	07047277	GMC	342517
07046827	GMC	472287	07046895	GMC	415090	07047165	GMC	43086S	07047279	GMC	342805
07046828	GMC	472319	07046897	GMC	415128	07047167	GMC	417621	07047280	GMC	343099
07046829	GMC	472658	07046898	GMC	415284	07047168	GMC	45653S	07047281	GMC	343105
07046829	GMC	473197	07046899	GMC	415294	07047170	GMC	46997S	07047281	GMC	7399S
07046830	GMC	473010	07046900	GMC	415349	07047171	GMC	47150S	07047283	GMC	343185
07046831	GMC	473016	07046901	GMC	415351	07047175	GMC	41404S	07047284	GMC	343186
07046832	GMC	473205	07046902	GMC	415437	07047176	GMC	50126	07047288	GMC	350414
07046833	GMC	473224	07046903	GMC	415458	07047179	GMC	50266	07047288	GMC	472311
07046834	GMC	473227	07046904	GMC	415551	07047180	GMC	50327	07047289	GMC	471633
07046835	GMC	473232	07046905	GMC	415725	07047183	GMC	33038S	07047294	GMC	471567
07046836	GMC	473233	07046906	GMC	415836	07047184	GMC	352541	07047295	GMC	471646
07046837	GMC	473258	07046906	GMC	415995	07047186	GMC	50405	07047299	GMC	352560
07046838	GMC	473313	07046907	GMC	412473	07047188	GMC	50445	07047299	GMC	472560N
07046839	GMC	473421	07046907	GMC	415894	07047190	GMC	50468	07047300	GMC	353132

INTERCHANGE SECTION

COMPETITIVE INTERCHANGES



Mfr No.	Mfr. National	Mfr No.	Mfr. National	Mfr No.	Mfr. National	Mfr No.	Mfr. National
07047302	GMC 353137	07047361	GMC 415327	07047421	GMC 416664	07047481	GMC 417502
07047302	GMC 473424	07047362	GMC 415350	07047422	GMC 416670	07047482	GMC 417503
07047303	GMC 353141	07047363	GMC 415371	07047423	GMC 416706	07047483	GMC 417504
07047304	GMC 471765	07047364	GMC 415389	07047424	GMC 416738	07047484	GMC 417506
07047306	GMC 415991	07047365	GMC 415394	07047425	GMC 416891	07047485	GMC 417509
07047306	GMC 455146	07047367	GMC 415447	07047426	GMC 416892	07047486	GMC 417513
07047307	GMC 355669	07047368	GMC 415482	07047427	GMC 416919N	07047487	GMC 417516
07047308	GMC 355732	07047369	GMC 415498	07047428	GMC 416951	07047488	GMC 417518
07047309	GMC 365008	07047370	GMC 415559	07047429	GMC 416956	07047490	GMC 417522
07047310	GMC 410102	07047371	GMC 415563	07047430	GMC 417016	07047491	GMC 417530
07047311	GMC 410987	07047371	GMC 417433	07047431	GMC 417020	07047492	GMC 417531
07047313	GMC 411245	07047372	GMC 415577	07047432	GMC 417022	07047493	GMC 417532
07047314	GMC 471737	07047373	GMC 415683	07047433	GMC 417040	07047494	GMC 417533
07047315	GMC 411330N	07047374	GMC 415711	07047434	GMC 417073	07047495	GMC 417534
07047316	GMC 410190	07047375	GMC 415832	07047435	GMC 417079	07047496	GMC 417535
07047317	GMC 410694	07047376	GMC 415854	07047436	GMC 417082	07047497	GMC 417536
07047318	GMC 410708	07047377	GMC 415871	07047437	GMC 417115	07047498	GMC 417537
07047319	GMC 410752	07047378	GMC 415876	07047438	GMC 417134	07047499	GMC 417538
07047320	GMC 410825	07047379	GMC 415897	07047439	GMC 417158	07047500	GMC 417539
07047321	GMC 471337	07047380	GMC 415958	07047440	GMC 417172	07047501	GMC 417540
07047322	GMC 411500	07047381	GMC 415983N	07047441	GMC 417191	07047502	GMC 417542
07047323	GMC 412040	07047382	GMC 416008	07047442	GMC 417198	07047503	GMC 417543
07047324	GMC 412725	07047383	GMC 416024	07047443	GMC 417205	07047504	GMC 417544
07047325	GMC 413246	07047384	GMC 416029N	07047444	GMC 417210	07047505	GMC 417545
07047325	GMC 413246N	07047385	GMC 416039	07047445	GMC 417211	07047506	GMC 417547
07047326	GMC 413247	07047386	GMC 416043	07047446	GMC 417223	07047507	GMC 417548
07047327	GMC 413248	07047387	GMC 416044	07047447	GMC 417238	07047508	GMC 417549
07047328	GMC 413470	07047388	GMC 416070	07047448	GMC 417247	07047509	GMC 417550
07047329	GMC 413472	07047389	GMC 416071	07047449	GMC 417252	07047510	GMC 417551
07047330	GMC 415007	07047390	GMC 416102	07047450	GMC 417255	07047511	GMC 417554
07047331	GMC 415021	07047391	GMC 416125	07047451	GMC 417258	07047512	GMC 417556
07047332	GMC 415023	07047392	GMC 416127	07047452	GMC 417267	07047513	GMC 417563
07047333	GMC 415025	07047393	GMC 416135	07047453	GMC 417273	07047514	GMC 417564
07047334	GMC 415034	07047394	GMC 416144	07047454	GMC 417278	07047515	GMC 417567
07047335	GMC 415041	07047395	GMC 416147	07047456	GMC 417352	07047516	GMC 417571
07047336	GMC 415043	07047396	GMC 416149	07047456	GMC 418028	07047517	GMC 417584
07047337	GMC 415045	07047397	GMC 416153	07047457	GMC 417353	07047518	GMC 417597
07047338	GMC 415052	07047398	GMC 416156	07047458	GMC 417354	07047519	GMC 417598
07047339	GMC 415058	07047399	GMC 416163	07047459	GMC 417358	07047520	GMC 417603
07047340	GMC 415060	07047400	GMC 416167	07047460	GMC 417359	07047521	GMC 417605
07047341	GMC 415064	07047401	GMC 416257	07047461	GMC 417360	07047522	GMC 417606
07047342	GMC 415066	07047402	GMC 416268	07047462	GMC 417361	07047524	GMC 417780
07047343	GMC 415072	07047403	GMC 416271	07047463	GMC 417362	07047525	GMC 442109
07047344	GMC 415074	07047404	GMC 416273	07047464	GMC 417363	07047527	GMC 450039
07047345	GMC 415076	07047405	GMC 416278	07047465	GMC 417364	07047528	GMC 450044
07047346	GMC 415082	07047406	GMC 416282	07047466	GMC 417365	07047529	GMC 450054
07047347	GMC 415085	07047407	GMC 416288	07047467	GMC 417366	07047530	GMC 450073
07047348	GMC 415088	07047408	GMC 416297	07047468	GMC 417474	07047531	GMC 450089
07047349	GMC 415138	07047409	GMC 416313	07047469	GMC 417480	07047532	GMC 450104
07047350	GMC 415142	07047410	GMC 416321	07047470	GMC 417485	07047533	GMC 450111
07047351	GMC 415150	07047411	GMC 416327	07047471	GMC 417486	07047534	GMC 450133
07047352	GMC 415187	07047412	GMC 416380	07047472	GMC 417492	07047535	GMC 450143
07047353	GMC 415219	07047413	GMC 416381	07047473	GMC 417494	07047536	GMC 450147
07047354	GMC 415234	07047414	GMC 416383	07047474	GMC 417495	07047537	GMC 450159
07047355	GMC 415254	07047415	GMC 416394	07047475	GMC 417496	07047538	GMC 450173
07047356	GMC 415259	07047416	GMC 416404	07047476	GMC 417497	07047539	GMC 450177
07047357	GMC 415263	07047417	GMC 416444	07047477	GMC 417498	07047540	GMC 450260
07047358	GMC 415295	07047418	GMC 416476	07047478	GMC 417499	07047541	GMC 450269
07047359	GMC 415303	07047419	GMC 416557	07047479	GMC 417500	07047542	GMC 450273
07047360	GMC 415317	07047420	GMC 416657	07047480	GMC 417501	07047543	GMC 450274

INTERCHANGE SECTION

COMPETITIVE INTERCHANGES

Mfr No.	Mfr.	National	Mfr No.	Mfr.	National	Mfr No.	Mfr.	National	Mfr No.	Mfr.	National
07047544	GMC	450275	07047611	GMC	455189	07047677	GMC	471141	07047735	GMC	472234
07047545	GMC	450279	07047612	GMC	455191	07047678	GMC	471193N	07047736	GMC	472299
07047546	GMC	450280	07047613	GMC	455203	07047679	GMC	471231	07047737	GMC	472324
07047547	GMC	450285	07047614	GMC	455253	07047680	GMC	471255	07047738	GMC	472394
07047548	GMC	450307	07047615	GMC	455260	07047681	GMC	471270	07047739	GMC	472409
07047549	GMC	450311	07047616	GMC	455280	07047682	GMC	471344	07047740	GMC	472432
07047551	GMC	450332	07047617	GMC	455290	07047683	GMC	471354	07047740	GMC	474256
07047552	GMC	450339	07047618	GMC	455297	07047684	GMC	471407	07047741	GMC	472452
07047553	GMC	450340	07047619	GMC	455311	07047685	GMC	471424	07047742	GMC	471549
07047554	GMC	450343	07047620	GMC	455328	07047686	GMC	471443	07047742	GMC	472467
07047555	GMC	450412	07047621	GMC	455330	07047686	GMC	481443	07047743	GMC	472572
07047556	GMC	450430	07047622	GMC	455336	07047687	GMC	471498	07047744	GMC	472636
07047557	GMC	450446	07047623	GMC	455396	07047688	GMC	471530	07047745	GMC	472644
07047558	GMC	450456	07047624	GMC	455406	07047689	GMC	471532	07047746	GMC	471747
07047559	GMC	450457	07047625	GMC	455434	07047690	GMC	471535	07047746	GMC	472674
07047560	GMC	450467	07047626	GMC	455462	07047691	GMC	471549	07047747	GMC	472681
07047561	GMC	450472	07047627	GMC	455471	07047692	GMC	471558	07047747	GMC	473259
07047562	GMC	450474	07047628	GMC	455476	07047693	GMC	471579	07047748	GMC	472705
07047563	GMC	450492	07047629	GMC	455500	07047694	GMC	471612	07047749	GMC	472826
07047565	GMC	450516	07047630	GMC	455509	07047695	GMC	471633	07047750	GMC	472843
07047566	GMC	450523	07047632	GMC	455536	07047696	GMC	471643	07047751	GMC	472954
07047567	GMC	450533	07047634	GMC	455576	07047697	GMC	471645	07047752	GMC	473157
07047568	GMC	450535	07047635	GMC	455583N	07047698	GMC	471646	07047753	GMC	473179
07047568	GMC	471264	07047637	GMC	455655	07047699	GMC	471648	07047754	GMC	473210
07047569	GMC	450540	07047639	GMC	455685	07047700	GMC	471686	07047755	GMC	473213
07047571	GMC	450604	07047641	GMC	455820	07047701	GMC	471688	07047756	GMC	473225
07047572	GMC	450621	07047642	GMC	455948	07047702	GMC	471689	07047757	GMC	473226
07047573	GMC	470645	07047643	GMC	455966	07047703	GMC	471684	07047758	GMC	473228
07047574	GMC	450666	07047644	GMC	3016	07047703	GMC	471698	07047759	GMC	473229
07047575	GMC	450693	07047645	GMC	456105	07047704	GMC	471707N	07047760	GMC	473230
07047576	GMC	450765	07047646	GMC	456141	07047705	GMC	471729	07047761	GMC	473235
07047577	GMC	450803	07047647	GMC	456192	07047706	GMC	471733	07047762	GMC	473237
07047579	GMC	450819	07047648	GMC	456305	07047707	GMC	471735	07047763	GMC	473239
07047580	GMC	450869	07047649	GMC	456462	07047708	GMC	471736	07047764	GMC	473242
07047581	GMC	450965	07047651	GMC	456890	07047709	GMC	471737	07047765	GMC	473243
07047582	GMC	450984	07047654	GMC	457295	07047710	GMC	471762	07047766	GMC	473244
07047584	GMC	451078	07047656	GMC	457585	07047711	GMC	471795	07047767	GMC	473245
07047585	GMC	451143	07047658	GMC	470050	07047712	GMC	471795N	07047769	GMC	473317
07047587	GMC	451469	07047659	GMC	470062	07047713	GMC	471801	07047771	GMC	473405
07047588	GMC	451583	07047659	GMC	474264	07047714	GMC	471808	07047772	GMC	473406
07047589	GMC	451817	07047660	GMC	470074	07047715	GMC	471818	07047773	GMC	473407
07047591	GMC	451948	07047660	GMC	474265	07047716	GMC	471821	07047774	GMC	473412
07047592	GMC	452086	07047661	GMC	470086	07047717	GMC	471827	07047775	GMC	473413
07047593	GMC	452222	07047662	GMC	470088	07047718	GMC	471829	07047776	GMC	473415
07047594	GMC	453165	07047663	GMC	473462	07047719	GMC	471831	07047777	GMC	473419
07047594	GMC	471619	07047664	GMC	470361	07047720	GMC	471833	07047778	GMC	473420
07047595	GMC	453182	07047664	GMC	472193	07047721	GMC	471841	07047779	GMC	473428
07047596	GMC	453279	07047665	GMC	470390	07047722	GMC	471847N	07047780	GMC	473435
07047597	GMC	455008	07047667	GMC	470515	07047723	GMC	471854	07047781	GMC	473436
07047598	GMC	455020	07047668	GMC	470530	07047724	GMC	471862	07047782	GMC	473437
07047600	GMC	455026	07047669	GMC	470543	07047725	GMC	471866	07047783	GMC	473438
07047602	GMC	455032	07047669	GMC	474272	07047726	GMC	472016	07047784	GMC	473440
07047603	GMC	455037	07047670	GMC	470565	07047727	GMC	472018	07047785	GMC	473442
07047604	GMC	455056	07047671	GMC	470596	07047728	GMC	472020	07047786	GMC	473443
07047605	GMC	455080	07047672	GMC	470601	07047729	GMC	472029	07047786	GMC	474274
07047606	GMC	455121	07047673	GMC	470605	07047730	GMC	472070	07047787	GMC	473444
07047607	GMC	455129	07047674	GMC	470687	07047731	GMC	472082	07047788	GMC	473447
07047608	GMC	455136	07047675	GMC	410737	07047733	GMC	472150	07047789	GMC	473448
07047609	GMC	455144	07047675	GMC	470737	07047734	GMC	470380	07047790	GMC	473450
07047610	GMC	455151	07047676	GMC	470774	07047734	GMC	472189A	07047791	GMC	473452

INTERCHANGE SECTION

COMPETITIVE INTERCHANGES



Mfr No.	Mfr. National	Mfr No.	Mfr. National	Mfr No.	Mfr. National	Mfr No.	Mfr. National
07047792	GMC 473453	07047879	GMC 99162	07048759	GMC 45013S	0704A256	GMC 455091
07047793	GMC 473457	07047880	GMC 99168	07048761	GMC 473424	0704A257	GMC 411376
07047794	GMC 473458	07047881	GMC 99174	07048765	GMC 40566S	0704A257	GMC 455093
07047795	GMC 473460	07047882	GMC 99176	07049195	GMC 410519	0704A259	GMC 415302
07047796	GMC 473461	07047883	GMC 99181	07049195	GMC 471271	0704A261	GMC 418028
07047797	GMC 473463	07047884	GMC 99187	07049877	GMC 350364	0704A261	GMC 455137
07047798	GMC 473464	07047885	GMC 99199	07049878	GMC 351267	0704A265	GMC 417357
07047799	GMC 473466	07047887	GMC 99205	07049878	GMC 471267	0704A265	GMC 455192
07047800	GMC 473467	07047888	GMC 99212	07049882	GMC 450085	0704A267	GMC 415725
07047801	GMC 410308	07047889	GMC 99218	07049882	GMC 470530	0704A268	GMC 417601
07047801	GMC 473468	07047890	GMC 99225	07049883	GMC 450095	0704A269	GMC 417159
07047802	GMC 473473	07047891	GMC 99233	07049883	GMC 473464	0704A270	GMC 416404
07047803	GMC 473474	07047892	GMC 99237	07049884	GMC 410987	0704A273	GMC 417262
07047804	GMC 473475	07047893	GMC 99243	07049884	GMC 450103	0704A273	GMC 455448
07047805	GMC 473517	07047894	GMC 99248	07049885	GMC 470120	0704A274	GMC 417350
07047807	GMC 475384	07047895	GMC 99250	07049885	GMC 471224	0704A274	GMC 455479
07047808	GMC 415035	07047896	GMC 99256	07049886	GMC 470682	0704A277	GMC 417191
07047808	GMC 475845	07047897	GMC 99259	07049887	GMC 470548	0704A282	GMC 415458
07047811	GMC 476535	07047898	GMC 99262	07049887	GMC 470625	0704A282	GMC 475458
07047812	GMC 476820	07047899	GMC 99272	07049888	GMC 450593	0704A283	GMC 471272
07047813	GMC 476842	07047900	GMC 99274	0704A171	GMC 6863S	0704A285	GMC 482126
07047814	GMC 477069	07047901	GMC 99275	0704A184	GMC 335924N	0704A370	GMC 415281N
07047815	GMC 480281	07047902	GMC 99282	0704A185	GMC 340356	0704A372	GMC 415304
07047816	GMC 474278	07047903	GMC 99287	0704A194	GMC 471750	0704A372	GMC 476470
07047816	GMC 480356	07047904	GMC 99293	0704A195	GMC 410085	0704A383	GMC 415483
07047817	GMC 480491	07047906	GMC 99300	0704A195	GMC 470530	0704A443	GMC 470605
07047818	GMC 480821	07047907	GMC 99312	0704A197	GMC 410163	0704A473	GMC 351028
07047819	GMC 480844	07047908	GMC 99324	0704A197	GMC 471766	0704B125	GMC 415027
07047821	GMC 481163	07047909	GMC 99325	0704A198	GMC 410316	0704B125	GMC 455027
07047822	GMC 481181	07047910	GMC 99337	0704A198	GMC 472636	0704B126	GMC 416865
07047822	GMC 481181N	07047911	GMC 99350	0704A201	GMC 415004	0704B126	GMC 455070
07047824	GMC 480581	07047912	GMC 99362	0704A201	GMC 417316	0704B128	GMC 417196
07047825	GMC 481397	07047913	GMC 99367	0704A203	GMC 416888	0704B130	GMC 471413
07047826	GMC 481443	07047914	GMC 99372	0704A206	GMC 442251	0704B360	GMC 450089
07047827	GMC 481481	07047915	GMC 99387	0704A211	GMC 412943	0704B362	GMC 411245
07047828	GMC 481528	07047916	GMC 99393	0704A212	GMC 473450	0704B362	GMC 455096
07047830	GMC 481537	07047917	GMC 99399	0704A213	GMC 450117	0704B363	GMC 417488
07047831	GMC 481568	07047919	GMC 99450	0704A213	GMC 472572	0704B364	GMC 456105
07047832	GMC 481792	07047920	GMC 99499	0704A216	GMC 471529	0704B367	GMC 417603
07047833	GMC 481834	07047921	GMC 99599	0704A228	GMC 410308	0704B368	GMC 473225
07047834	GMC 481859	07047922	GMC 99700	0704A228	GMC 450308	0704B884	GMC 415482
07047835	GMC 481864	07048120	GMC 471344	0704A229	GMC 411394	0704C017	GMC 473197
07047836	GMC 481992	07048199	GMC 410496	0704A229	GMC 450317	0704C019	GMC 5827
07047837	GMC 482163N	07048449	GMC 471255	0704A232	GMC 470358	0704C082	GMC 442507
07047838	GMC 482253	07048691	GMC 410119	0704A232	GMC 473231	0704C197	GMC 473238
07047839	GMC 482309	07048694	GMC 40059S	0704A234	GMC 471870	0704C342	GMC 471652
07047840	GMC 482310	07048698	GMC 41787S	0704A234	GMC 471883	0704C509	GMC 473224
07047841	GMC 484054	07048724	GMC 455024	0704A237	GMC 471138	0704C723	GMC 340385
07047842	GMC 484058	07048725	GMC 415379	0704A238	GMC 450441	0704C739	GMC 473423
07047867	GMC 99062	07048725	GMC 455379	0704A238	GMC 471341	0704C921	GMC 55301S
07047868	GMC 99076	07048727	GMC 471981	0704A239	GMC 470567	0704D017	GMC 471466
07047869	GMC 99087	07048733	GMC 473455	0704A239	GMC 471267	0704D022	GMC 45825S
07047870	GMC 99098	07048737	GMC 43071S	0704A240	GMC 413248	0704D104	GMC 3945
07047872	GMC 99112	07048740	GMC 471750	0704A245	GMC 415007	0704D195	GMC 471424
07047873	GMC 99125	07048747	GMC 340823	0704A247	GMC 455018	0704D197	GMC 450183
07047874	GMC 99138	07048748	GMC 450298	0704A247	GMC 476470	0704D197	GMC 472179
07047875	GMC 99143	07048748	GMC 473239	0704A248	GMC 416125	0704D263	GMC 415146
07047876	GMC 99149	07048752	GMC 471870	0704A251	GMC 416891	0704D263	GMC 415991
07047877	GMC 99155	07048752	GMC 471883	0704A253	GMC 417269	0704D268	GMC 450301
07047878	GMC 99156	07048756	GMC 340413	0704A256	GMC 416167	0704D268	GMC 472397

INTERCHANGE SECTION

COMPETITIVE INTERCHANGES

Mfr No.	Mfr.	National	Mfr No.	Mfr.	National	Mfr No.	Mfr.	National	Mfr No.	Mfr.	National
0704D276	GMC	410102	0704G831	GMC	473573	07042962	GMC	6936S	0704G810	GMC	473462
0704D281	GMC	41075S	0704G832	GMC	413246N	07042962	GMC	9845	0704G815	GMC	473231
0704D296	GMC	55469	0704G832	GMC	483246N	07043020	GMC	471195	0704G906	GMC	470764
0704D318	GMC	5526	0704G835	GMC	416921	07043236	GMC	471472	0704H249	GMC	417487
0704D836	GMC	450326	0704G837	GMC	3893V	07043320	GMC	471652	0704H602	GMC	471750
0704E051	GMC	471141	0704G838	GMC	6835S	07043324	GMC	474276	0705019	THIOK	415263
0704E113	GMC	410312N	0704G843	GMC	240698	07043335	GMC	473236	07097918	GMC	99424
0704E113	GMC	472016	0704G844	GMC	471466	07043384	GMC	471551	07091VM	TRSCM	240735
0704E756	GMC	5924	0704G898	GMC	6460S	07043635	GMC	340009S	07091VM	TRSCM	312518
0704E812	GMC	471762	0704G899	GMC	6808N	07044232	GMC	471765	070HH104	SPICE	473228
0704E924	GMC	417344	0704G900	GMC	43089S	07044352	GMC	455079	070HH111	DANA	5865
0704E924	GMC	455006	0704G902	GMC	415988	07044880	GMC	6863S	070HH114	SPICE	477163N
0704E925	GMC	204020	0704G903	GMC	9568	07045479	GMC	471267	070HH120	DANA	416556
0704E925	GMC	204505	0704G907	GMC	345146	07045707	GMC	416125	070HH131	SPICE	455355
0704E998	GMC	472150	0704G908	GMC	481163	07046084	GMC	474255	070HH132	DANA	415437
0704E999	GMC	473214	0704G917	GMC	350823	07046390	GMC	471785	070HH132	DANA	455173
0704F079	GMC	471267	0704G917	GMC	473454	07046522	GMC	415449	070HH133	SPICE	370131A
0704F091	GMC	476470	0704G922	GMC	450084	07046522	GMC	455147	070HH133	SPICE	380131A
0704F093	GMC	472012	0704G928	GMC	473427	07046543	GMC	470506	070HH134	SPICE	370003A
0704F095	GMC	6988H	0704H287	GMC	473422	07046620	GMC	417546	070HH134	SPICE	380003A
0704F223	GMC	8650S	0704H575	GMC	415991	07046749	GMC	417596	070HH135	SPICE	370124A
0704F268	GMC	416229	0704H577	GMC	472644	07047187	GMC	470409	070HH136	DANA	456618
0704F294	GMC	416664	0704H603	GMC	472157	07047195	GMC	470606	070HH137	DANA	415958
0704F372	GMC	417554	0704H604	GMC	471652	07047206	GMC	473244	070HH137	DANA	455958
0704F433	GMC	455556	0704H614	GMC	474278	07047225	GMC	415442	070HH139	SPICE	455088V
0704F770	GMC	450361	0704H648	GMC	8516N	07047231	GMC	415857	070HH152	SPICE	370119A
0704F770	GMC	472193	0704H678	GMC	417158	07047258	GMC	476838	070HH152	VIC	370119A
0704F772	GMC	474278	0704H678	GMC	455355	07047278	GMC	312518	070HH163	SPICE	473677
0704F772	GMC	6859S	0704H724	GMC	472299	07047312	GMC	470989	070HH171	DANA	472299
0704F773	GMC	471766	0704H728	GMC	203005	07047455	GMC	417343	070HH187	SPICE	370063A
0704F775	GMC	450185	0704H728	GMC	205005	07047526	GMC	474273	0710144000	FREIG	471413
0704F775	GMC	473229	0704J015	GMC	415725	07047570	GMC	471255	071061VCY	TRSCM	240816
0704F791	GMC	417486	0704J298	GMC	446927	07047583	GMC	471653	07109	JAC	472319
0704F813	GMC	450519	0704J499	GMC	470460	07047666	GMC	470487N	071118SM	TRSCM	1049
0704F813	GMC	471271	0704J744	GMC	5133	07047809	GMC	415995	07111SB	TRSCM	254270
0704F815	GMC	415960	0704K492	GMC	J1113	07047823	GMC	471195	07111SB	TRSCM	7750
0704F815	GMC	455009	0704K555	GMC	40208	07047823	GMC	481195	07111VB	TRSCM	343185
0704F816	GMC	415984	0704K652	GMC	340826	07047871	GMC	99101	07111VC	TRSCM	340495
0704F833	GMC	471984	0704K654	GMC	351487	07049881	GMC	471466	07111VC	TRSCM	343185
0704G163	GMC	481443	0704K972	GMC	330699	0704A196	GMC	470954	07119965060	BMW	223020
0704G311	GMC	417171	0704K986	GMC	471272N	0704A199	GMC	471224	071210379LUP	JN-MN	416239
0704G533	GMC	472492	0704K988	GMC	415156N	0704A200	GMC	472258	071212481LUP	JN-MN	416077
0704G586	GMC	473459	0704M088	GMC	474265	0704A208	GMC	470059	07122SB	TRSCM	470954
0704G600	GMC	476470	0704M139	GMC	471554	0704A208	GMC	470380	07122SB	TRSCM	470954V
0704G794	GMC	415147N	0704M147	GMC	204038	0704A219	GMC	471801	07122SB	TRSCM	480954
0704G802	GMC	240731	07040808	GMC	471646	0704A221	GMC	471619	07122SC	TRSCM	350954
0704G804	GMC	450593	07041102	GMC	470004	0704A222	GMC	471787	07122TB	TRSCM	2287
0704G807	GMC	471787	07041104	GMC	471442	0704A236	GMC	473227	07122TB	TRSCM	470954
0704G808	GMC	471787	07041116	GMC	471255	0704B282	GMC	471224	07122TB	TRSCM	470954V
0704G812	GMC	473425	07041254	GMC	415234	0704B356	GMC	471570	07122VTB	TRSCM	470954V
0704G814	GMC	330663	07041806	GMC	471689	0704B358	GMC	471750	07123TC	TRSCM	350679
0704G814	GMC	472354	07041989	GMC	472185	0704B882	GMC	416267	07123TC	TRSCM	470141
0704G817	GMC	340847	07041AB	CASE	417316	0704C508	GMC	471192	0712B	GOODM	471570
0704G821	GMC	471424	07041AB	CASE	455004	0704D149	GMC	471267	07132TB	TRSCM	480821
0704G822	GMC	472924	07042086	GMC	415991	0704F097	GMC	470530	07134SSTB	TRSCM	470027
0704G823	GMC	472397	07042110	GMC	471795	0704F819	GMC	470712	07142SB	TRSCM	471567
0704G824	GMC	40301S	07042356	GMC	451583	0704F832	GMC	450593	07142TB	TRSCM	471567
0704G825	GMC	470530	07042492	GMC	350974	0704F949	GMC	450765	07143SB	TRSCM	481568
0704G826	GMC	472012	07042870	GMC	323138	0704G164	GMC	473238	0714B	GOODM	470590
0704G829	GMC	6626S	07042873	GMC	472826	0704G803	GMC	450593	07152TL	TRSCM	471498

INTERCHANGE SECTION

COMPETITIVE INTERCHANGES



Mfr No.	Mfr. National	Mfr No.	Mfr. National	Mfr No.	Mfr. National	Mfr No.	Mfr. National
07162TB	TRSCM 471643	0734319813	ZF 224052	07758952LUP	JN-MN 455406	08121SB	TRSCM 340483
07172SB	TRSCM 471684	074065	EATON 410686N	077934	GMC 416288	08121VB	TRSCM 7840S
07182SB	TRSCM 470390	07424BX	CASE 450984	078103051A	VW 711007	081241VL	TRSCM 5976S
071947	ALLCH 416339	07425GAGGE	SABO 4160	078103051A	AUDI 711007	081280	GMC 450301
071947	ALLCH 455031	0743134340	HYUND 712007	078103051G	AUDI 711007	081280	GMC 472397
07203SB	TRSCM 472649	07459BRGGF	SABO 710651	078103051G	VW 711007	0812B	GOODM 470120
072512094LUP	JN-MN 416044	07484BRAGF	SABO 710468	078016	HYST 6988H	0812B	GOODM 471224
072518709LPD	JN-MN 415116	074961	ALLCH 412040	078133SB	TRSCM 481443	081302VL	TRSCM 340413
07258951LUP	JN-MN 415116	074962	ALLCH 450365	078329	ALLCH 471689	08131VM	TRSCM 440131
072716213	KIA 710415	074962	ALLCH 470898	078502	ALLCH 450400	08132SB	TRSCM 471267
072717335	KIA 225040	0750110062	ZF 710780	078593	ALLCH 416167	08132SB	TRSCM 471267V
07300BY	SABO 710548	0750111063	ZF 224052	078593	ALLCH 455091	08132TBY	TRSCM 471267
0730283	OPEL 223010	0750111079	ZF 710484	078710021LUP	JN-MN 455121	081369	GMC 450183
07329AB	CASE 417211	0750111149	ZF 716484	07879886LUP	JN-MN 455121	081369	GMC 472179
0734300087	ZF 716484	0750111172	ZF 223010	079103051D	AUDI 710279	081370	GMC 415449
0734300296	ZF 710939	0750111189	ZF 223540	079103051D	VW 710279	081370	GMC 455147
0734310272	ZF 710279	0750111189H	ZF 223540	079103051G	AUDI 225530	08142SB	TRSCM 471570
0734310316	ZF 710484	0750111195	ZF 1012N	079103051G	VW 225530	08142SB	TRSCM 471570V
0734310316H	ZF 710484	0750111243	ZF 710718	079103051F	AUDI 710761	08142TB	TRSCM 471570
0734310372	ZF 710801	0750111248	ZF 224052	079103051F	BENTL 710761	0814477	O-M 472475
0734310377	ZF 224052	0750111253	ZF 710909	079103051F	ROLLS 710761	08153	CHECK 5092
0734310378	ZF 3771	0750111254	ZF 224010	079103051F	VW 710761	08153TC	TRSCM 470680
0734310392	ZF 710484	0750111262	ZF 710794	079276	ALLCH 6703S	0815B	GOODM 471733
0734310414	ZF 710801	0750111273	ZF 710484	079351	ALLCH 6863S	081626	GMC 475012N
0734310418	ZF 710671	0750111292	ZF 223510	079567	GMC 450084	08162TB	TRSCM 471646
0734319168	ZF 223010	0750111350	ZF 224052	079966	ALLCH 471267	08172TB	TRSCM 470590
0734319302	ZF 1012N	0750111433	ZF 710780	07D103085	AUDI 224200	0817348LPD	JN-MN 450030
0734319399	ZF 224052	0750111436	ZF 710484	07D103085	VW 224200	0817348LPD	JN-MN 474253
0734319420	ZF 710718	0750111470	ZF 710486	07K103151B	VW 710787	08182SB	TRSCM 471730
0734319423	ZF 710794	075010096LPD	JN-MN 415551	07K103151D	VW 710787	08183	CHECK 6936S
0734319509	ZF 224052	075010099LUP	JN-MN 415551	07K103151A	VW 710787	082010605	MAZDA 1953
0734319514	ZF 225230	075011693LUP	JN-MN 415867	07K103151C	VW 710787	082025	L&N 240385
0734319524	ZF 221207	075015015LPD	JN-MN 415551	080012929LUP	JN-MN 417601	082026	L&N 240462
0734319537	ZF 710733	07509973LUP	JN-MN 415867	080014198LUP	JN-MN 417602	082179	ALLCH 200640
0734319538	ZF 3459	075132TB	TRSCM 470895	080015076LDS	JN-MN 417602	082512149LUP	JN-MN 415124
0734319588	ZF 224052	075132TB	TRSCM 471554	080016080LDS	JN-MN 415656	083011	GMC 417316
0734319596	ZF 225020	075132TB	TRSCM 471554V	080016311LUP	JN-MN 417602	083011	GMC 455004
0734319598	ZF 710719	075492	GMC 417082	080016525LDS	JN-MN 415052	08319	JAC 340787
0734319600	ZF 710717	075767	ALLCH 455820	080017788LDS	JN-MN 417602	083917	GMC 450066
0734319607	ZF 710909	07580	IH 350435	08005609LUP	JN-MN 417602	083917	GMC 473367
0734319607H	ZF 710909	075978	ALLCH 471276	080011035LUP	JN-MN 417600	084409189B	AUDI 1188
0734319609	ZF 225010	076212209LUP	JN-MN 416102	0803162	Y-T 411330N	084409189B	SEAT 1188
0734319619	ZF 1209	076217780LDS	JN-MN 417598	080457	ALLCH 450494	084409189B	SKODA 1188
0734319623	ZF 710780	07625291LUP	JN-MN 416102	080457	ALLCH 472164	084409189B	VW 1188
0734319623R	ZF 710780	07629360LUP	JN-MN 417598	080599	GMC 473236	08406294	BL-KN 472070
0734319624	ZF 221207	076243	GMC 471689	080609	GMC 473446	08447	JAC 340009S
0734319624H	ZF 221207	07630BY	SABO 710548	08079	JAC 450431	08447A	JAC 471466
0734319633	ZF 710487	076717	GMC 475003N	08079	JAC 471539	085301227	VW 2027
0734319645	ZF 224040	076793	GMC 450183	080974	GMC 411253	085010371LUP	JN-MN 417603
0734319649	ZF 224052	076793	GMC 472179	080974	GMC 450099	085015024LDS	JN-MN 416394
0734319649H	ZF 224052	07688BGE	SABO 226285	08111VB	TRSCM 240733	08508835LUP	JN-MN 417604
0734319677	ZF 710718	076960	ALLCH 6703S	081121SZ	TRSCM 8609	08508954LUP	JN-MN 417604
0734319695	ZF 710484	077115147A	AUDI 710127	081134SA	TRSCM 471231	08510	JAC 350954
0734319699	ZF 710783	077115147A	VW 710127	081142TL	TRSCM 474253	08510	JAC 470954
0734319703	ZF 223510	077115147B	AUDI 710127	081162TB	TRSCM 471645	08546HT	CASE 200354
0734319706	ZF 710486	077115147B	VW 710127	081162VSB	TRSCM 471645V	08583AB	CASE 415458
0734319722	ZF 224660	0770198158	ZF 224052	081172SB	TRSCM 471686	08583AB	CASE 455003
0734319753	ZF 224510	0770198159	ZF 710714	081210347LUP	JN-MN 455123	086212441LPD	JN-MN 417567
0734319801	ZF 710780	077510688LPD	JN-MN 455406	081210700LPD	JN-MN 455123	086311113A	AUDI 1174
0734319811	ZF 710939	077515527LDS	JN-MN 455406	08121SB	TRSCM 254287	086311113A	LAMBO 1174

INTERCHANGE SECTION

COMPETITIVE INTERCHANGES

Mfr No.	Mfr.	National	Mfr No.	Mfr.	National	Mfr No.	Mfr.	National	Mfr No.	Mfr.	National
086311113A	VW	1174	091023	FRUEH	370014A	0928335038	SUZUK	223552	092926	HI-EQ	471766
08644709	ACDEL	710544	09110	CHECK	9845	0928335038000	SUZUK	223552	093132SB	TRSCM	471015
08644709	GMC	710544	0911045	ADAMS	450352	0928335052	SUZUK	223553	093132TB	TRSCM	340787
08666007	GMC	3543	0911045	ADAMS	472164	0928335054	SUZUK	223552	093132TB	TRSCM	471015
08685515	ACDEL	4072N	0911046	ADAMS	472018	0928335054000	SUZUK	223552	093162SB	TRSCM	471647
08685515	GMC	4072N	0911047	ADAMS	415281N	0928338012	SUZUK	223830	093172SB	TRSCM	474252
087409529A	AUDI	494122	0911105	ADAMS	415281N	0928338012000	SUZUK	223830	0933971	ALLCH	450867
087409529A	VW	494122	09142TB	TRSCM	472324	0928340001	DAEWO	4175	0933971	ALLCH	470898
087111VZ	TRSCM	340850	09142VSB	TRSCM	4458V	0928340001	SUZUK	4175	09345AB	CASE	417344
08719	JAC	470120	09143SA	TRSCM	451583	0928340009	SUZUK	1213N	09345AB	CASE	455006
08719	JAC	471224	09143SB	TRSCM	451583	0928340013	SUZUK	710523	09368AB	CASE	471579
08731	JAC	350414	09162SB	TRSCM	471648	0928340013000	SUZUK	710523	09378823LPD	JN-MN	415871
08731	JAC	472311	0916B	GOODM	471763	0928340022	SUZUK	710523	09372	JAC	240733
087513789LUP	JN-MN	415128	09172SB	TRSCM	471688	0928340022000	SUZUK	710523	093917	GMC	450066
087516179STLUP	JN-MN	455966	09181WPB	TRSCM	240457	0928340027	SUZUK	710523	093917	GMC	473367
08754AB	CASE	455566	09203SB	TRSCM	482310	0928340027000	SUZUK	710523	09391AB	CASE	450621
08759AB	CASE	455566	092510252LPD	JN-MN	415219	0928342003	SUZUK	224200	0940661990	CLIN	470601
088409399	AUDI	224520	092512831STLPD	JN-MN	415219	0928342004	SUZUK	224200	095321243A	VW	225110
088409399	VW	224520	092516306LDS	JN-MN	415219	0928342005	SUZUK	224200	095323862A	AUDI	713771
088409399A	AUDI	224520	092517020LDS	JN-MN	415219	0928342008	SUZUK	224200	095323862A	VW	713771
088409399A	VW	224520	0928235002	SUZUK	223540	0928344006	SUZUK	224462	095016986LDS	JN-MN	417606
088409399D	AUDI	224520	0928248003	SUZUK	224820	0928344006000	SUZUK	224462	09508824LUP	JN-MN	417606
088409399D	VW	224520	0928315002	SUZUK	221510	0928344007	SUZUK	224462	09504CH	CASE	472287
08811	JAC	471571	0928320024	SUZUK	222030	0928344007000	SUZUK	224462	09516AB	CASE	473475
08840	FBG	1174	0928320040	SUZUK	222030	0928344008	SUZUK	224462	095321243	VW	225110
08841	FBG	239155	0928322040	SUZUK	710310	0928344008000	SUZUK	224462	095321243D	VW	225110
08853	FBG	1012N	0928325077	SUZUK	222535	0928344009	SUZUK	224462	095580	ALLCH	417269
088645	GMC	471801	0928325077000	SUZUK	222535	0928344009000	SUZUK	224462	095984	GMC	475012N
088710333LUP	JN-MN	416657	0928325088	SUZUK	222535	0928344011	SUZUK	224462	096184SB	TRSCM	450040
088713436LPD	JN-MN	455129	0928325088000	SUZUK	222535	0928344011000	SUZUK	224462	096215171LDS	JN-MN	416381
08878943LPD	JN-MN	455129	0928326010	SUZUK	222630	0928345005	SUZUK	710521	096759	ALLCH	417362
08879292LPD	JN-MN	416657	0928326010000	SUZUK	222630	0928345009	SUZUK	710521	096760	ALLCH	450519
089409529A	VW	239146	0928326016	SUZUK	222630	0928345011	SUZUK	710521	096760	ALLCH	471271
08994AB1	CASE	415001	0928326016000	SUZUK	222630	0928345012	SUZUK	710521	096761	ALLCH	450352
08994AB1	CASE	455001	0928328010	SUZUK	222860	0928348003	SUZUK	224820	096761	ALLCH	472164
090011552LPD	JN-MN	55301S	0928330042	SUZUK	710310	0928348007	SUZUK	224820	097500	ELRNG	710413
090014490LDS	JN-MN	455462	0928332002	SUZUK	710310	0928349002	SUZUK	4904	097530	ELRNG	710454
090016554LUP	JN-MN	455476	0928332003	SUZUK	710310	0928350001	SUZUK	1948	09708AB	CASE	415003
09008819LUP	JN-MN	415090	0928332003000	SUZUK	710310	0928350001000	SUZUK	1948	09708AB	CASE	415458
09008868LUP	JN-MN	455462	0928332016	SUZUK	710310	0928350002	SUZUK	1948	09709AB	CASE	415138
09008948LUP	JN-MN	415090	0928332016000	SUZUK	710310	0928350002000	SUZUK	1948	097127	ALLCH	470120
090148	LOKWD	340817	0928332022	SUZUK	710310	0928353001	SUZUK	710175	097127	ALLCH	471224
090190	LOKWD	472258	0928332022000	SUZUK	710310	0928353001000	SUZUK	710175	097342	ALLCH	415196
090190	LOKWD	480570	0928332023	SUZUK	471413	0928354001	SUZUK	710239	097513809LUP	JN-MN	55078S
090200	BORGW	417509	0928332025	SUZUK	710310	0928354001000	SUZUK	710239	099008	DRMAN	008PKG
09020AB	CASE	415449	0928332025000	SUZUK	710310	0928356002	SUZUK	710393	0990102	DRMAN	010PKG
09020AB	CASE	455147	0928332026	SUZUK	710310	0928356002000	SUZUK	710393	099011	DRMAN	011PKG
0904021	ADAMS	415483	0928332026000	SUZUK	710310	0928368001	SUZUK	710334	0990112	DRMAN	011PKG
0904021	ADAMS	455368	0928332036	SUZUK	710310	0928368002	SUZUK	710334	099012	DRMAN	012PKG
0906006	ADAMS	415458	0928332038	SUZUK	710310	0928368002000	SUZUK	710334	0990132	DRMAN	013PKG
0906006	ADAMS	455003	0928332040	SUZUK	710310	0928398001	SUZUK	710520	099110	DRMAN	110PKG
0906027	ADAMS	450352	0928332042	SUZUK	710310	0928398002	SUZUK	710520	0991102	DRMAN	110PKG
0906027	ADAMS	472164	0928332042000	SUZUK	710310	0928445001	SUZUK	710193	099111	DRMAN	111PKG
0906035	ADAMS	417171	0928335008	SUZUK	223553	09284365	ALLCH	415854	0991112	DRMAN	111PKG
090620020P	NISSA	710195	0928335024	SUZUK	223552	0928500002	SUZUK	710330	099112	DRMAN	112PKG
090655	ALLCH	470120	0928335024000	SUZUK	223552	0928500002000	SUZUK	710330	0991122	DRMAN	112PKG
090655	ALLCH	471224	0928335025	SUZUK	223552	0928675001	SUZUK	710240	0991132	DRMAN	113PKG
09070	CHECK	8610	0928335025000	SUZUK	223552	0928948004	SUZUK	710255	0991142	DRMAN	114PKG
09074AB1	CASE	240736	0928335037	SUZUK	223552	092895	CATER	412473	0992102	DRMAN	210PKG
091626	ELRNG	222030	0928335037000	SUZUK	223552	092895	CATER	415894	0992112	DRMAN	211PKG

INTERCHANGE SECTION

COMPETITIVE INTERCHANGES



Mfr No.	Mfr.	National	Mfr No.	Mfr.	National	Mfr No.	Mfr.	National	Mfr No.	Mfr.	National
099212	DRMAN	212PKG	0F80110602	KIA	223420	1096251290	ISUZU	710088	1ES14801	MERIX	417354
0992162	DRMAN	216PKG	0F80111399	HYUND	229010	1096251550	ISUZU	224020	1ES14801	ROCKW	417354
099222	DRMAN	222PKG	0F80111399	KIA	229010	1096252650	ISUZU	710089	1ES15068	MERIX	415138
099405	DRMAN	217PKG	0FE0110602	KIA	223420	1096253210	GMC	710439	1ES15068	ROCKW	415138
099409	DRMAN	024PKG	0JE2612601A	KIA	710642	1096253310	ISUZU	710086	1ES15112	MERIX	417196
0994522	DRMAN	6005020	0JE2612601A	MAZDA	710642	1096253311	ISUZU	710086	1ES15112	ROCKW	417196
0994722	DRMAN	6007020	0K01111312	HYUND	229010	1096253500	ISUZU	710089	1ES15113	MERIX	417181
0994922	DRMAN	6010020	0K01111312	KIA	229010	1096254491	ISUZU	710084	1ES15113	ROCKW	417181
099593	GMC	470059	0K01116103	KIA	223010	1096254541	ISUZU	710089	1ES16007	MERIX	415351
099593	GMC	470380	0K01117395	KIA	710714	1096254570	ISUZU	710085	1ES16007	ROCKW	415351
099856	ALLCH	240023	0K01117396	KIA	223010	1096254680	ISUZU	710278	1ES16098	MERIX	473475
09D321243	AUDI	710934	0K01126154A	KIA	710853	1096255030	ISUZU	710084	1ES16098	ROCKW	473475
09D321243	VW	710934	0K01126157	KIA	710387	1096255370	ISUZU	710088	1ES16325	MERIX	416865
09D321243A	AUDI	710934	0K01133065	KIA	710094	1096255380	ISUZU	710085	1ES16325	MERIX	455070
09D321243A	VW	710934	0K01133067	KIA	710093	1096255680	ISUZU	710087	1ES16325	ROCKW	416865
09D321243B	AUDI	710934	0K01310602	KIA	223420	1096255690	ISUZU	710085	1ES16325	ROCKW	455070
09D321243B	VW	710934	0K01A26157	KIA	710387	1096254950	ISUZU	370003A	1ES16652	MERIX	481073
09D409189	AUDI	710933	0K01A33065	KIA	710094	1096254950	ISUZU	380003A	1ES16652	ROCKW	481073
09D409189	VW	710933	0K01A33067	KIA	710093	11200	SKF	350974	1ES17764	MERIX	416654
09E321243	AUDI	710484	0K08133067	KIA	710093	11557	SKF	473427	1ES17764	MERIX	455012
09E321243	ROLLS	710484	0K08A33065	KIA	710394	11612	SKF	223012	1ES17764	ROCKW	416654
09E321243	VW	710484	0K20111312	HYUND	228250	14635	SKF	710441	1ES17764	ROCKW	455012
09E409189	AUDI	710780	0K20111312	KIA	228250	15900	SKF	4141	1ES1851	MERIX	415035
09E409189	VW	710780	0K20133065	KIA	1932	1870613500	ISUZU	370003A	1ES1851	ROCKW	415035
09E409399	AUDI	224052	0K20133065A	KIA	1932	1870613500	ISUZU	380003A	1ES18511	MERIX	415035
09E409399	VW	224052	0K24711312	HYUND	710860	188AX253	MACK	417546	1ES18511	ROCKW	415035
09E409400	AUDI	223510	0K24711312	KIA	710860	1C193	NOVO	473016	1ES18576	MERIX	471267
09E409400	VW	223510	0K30E10602	HYUND	710897	1C199	NOVO	470064	1ES18576	ROCKW	471267
09F409189	AUDI	710780	0K30E10602	KIA	710897	1C199	NOVO	471821	1ES18612	MERIX	415836
09F409189	ROLLS	710780	0K71E16103	KIA	1990	1CW109	NOVO	415995	1ES18612	MERIX	415995
09F409189	VW	710780	0K72A26157	KIA	710567	1CW109	NOVO	455013	1ES18612	ROCKW	415836
09G301189	AUDI	710582	0K9BV10602A	KIA	223005	1EC0424	WHITE	415437	1ES18612	ROCKW	415995
09G301189	SEAT	710582	0K9BV10604	KIA	223005	1ES12699	MERIX	415449	1ES20176	MERIX	471570
09G301189	SKODA	710582	0K9BV14602	KIA	320348	1ES12699	MERIX	455147	1ES20176	ROCKW	471570
09G301189	VW	710582	0N307	CATER	3783	1ES12699	ROCKW	415449	1JG1	KEN	40468
09G321243	AUDI	710893	0P01627238	KIA	223842	1ES12699	ROCKW	455147	1JG10	KEN	412027
09G321243	VW	710893	0S11333067	KIA	225225	1ES12783	MERIX	415013	1JG2	KEN	450494
09K321243	AUDI	710893	0S18891	SKF	9316	1ES12783	MERIX	415995	1JG2	KEN	472164
09K321243	VW	710893	0T265A	MINNM	417238	1ES12783	ROCKW	415013	1JG3	KEN	416130
09M321243B	AUDI	710775	1005301	FORD	710618	1ES12783	ROCKW	415995	1JG4	KEN	6638S
09M321243B	VW	710775	1061678	FORD	100944	1ES13359	MERIX	416888	1JG5	KEN	7866S
0AD321199	VW	710751	1066056	FORD	710618	1ES13359	MERIX	455200	1JG6	KEN	416654
0AD321199A	VW	710750	1067029	FORD	710550	1ES13359	ROCKW	416888	1JG6	KEN	455012
0AD321199C	VW	710750	1069295	FORD	100944	1ES13359	ROCKW	455200	1JG9	KEN	415016N
0AD321199B	VW	710749	1074626	FORD	710618	1ES13360	MERIX	417533	1SPC22A	NOVO	471570
0AQ321199	AUDI	710726	1141882	FORD	100944	1ES13360	ROCKW	417533	15G18061	NATEN	55563
0AQ321199A	AUDI	710659	1220978	FORD	3772	1ES13362	MERIX	415035	10	BL-KN	415035
0AQ321199B	AUDI	710725	1663822	FORD	710550	1ES13362	MERIX	455035	10	BL-KN	455035
0AQ321199C	AUDI	710659	1760449	FORD	223750	1ES13362	ROCKW	415035	1000004039	BORGW	470138V
0AT409399	AUDI	224510	1828787	FORD	223750	1ES13362	ROCKW	455035	1000044014	BORGW	470774V
0AT409399	VW	224510	10012	SKF	471103	1ES13363	MERIX	417504	1000044035	BORGW	472164
0B3C710602A	KIA	710611	10012	SKF	50197S	1ES13363	ROCKW	417504	1000044041	BORGW	8660S
0B3C710602B	KIA	710611	10153	SKF	40157S	1ES13406	MERIX	416011	1051	DEXTR	370150A
0B443	HART	481537	1096250050	ISUZU	710087	1ES13406	MERIX	417621	1056	DEXTR	370014A
0BU321199A	AUDI	223553	1096250060	ISUZU	710087	1ES13406	ROCKW	416011	10EJR20	MACK	472560N
0BU321199A	VW	223553	1096250170	ISUZU	710275	1ES13406	ROCKW	417621	10EJR20	MACK	50151S
0CB521	CLSTL	480630	1096250410	ISUZU	710084	1ES13802	MERIX	416865	100	UNIVE	471689
0CB521	CLSTL	480991	1096250430	ISUZU	710085	1ES13802	ROCKW	416865	1000	UNIVE	417020
0E1557B	FUNK	455200N	1096250440	ISUZU	710086	1ES14393	MERIX	415138	1000044015	WARNR	9613S
0F00427238	KIA	2007N	1096251280	ISUZU	227045	1ES14393	ROCKW	415138	1000044020	WARNE	483459H

INTERCHANGE SECTION

COMPETITIVE INTERCHANGES

Mfr No.	Mfr.	National	Mfr No.	Mfr.	National	Mfr No.	Mfr.	National	Mfr No.	Mfr.	National
1000044046	WARNR	710062	100075	SKF	417020	100206	UNIVE	471619	100496	MC-CL	471267
1000044048	WARNR	4141	1000800145	TROS	417602	10021LPD	JN-MN	455121	10050	C-R	450593
1000044051	WARNR	4141	100085	TIMKE	100085	10021LUP	JN-MN	455121	10050	SKF	450593
1000044052	WARNR	710403	100086	TIMKE	100086	10024A3	DIA	5481	10050LPD	JN-MN	415458
1000044053	WARNR	3946	100098	CUMMI	481397	10026	FITZ	472082	10050LPD	JN-MN	455003
1000044054	WARNR	710062	1000A80012	TROS	417602	100263	TIMKE	100263	10050LUP	JN-MN	415458
100016365LUP	JN-MN	417020	100115R91	IH	470120	100269	CLARK	450154	10050LUP	JN-MN	455003
100017846LDS	JN-MN	417020	100115R91	IH	471224	100269	CLARK	473234	10052	CLARK	416956
10009830LUP	JN-MN	417605	10012	C-R	471103	10030D2	REO	370007A	100522	CLARK	415449
1000044004	BORGW	473243	10012	C-R	50197S	10030501	WITTE	450115	100522	CLARK	455147
1000044023	BORGW	473442	1001206TA	TRSCM	417020	10030501	WITTE	473467	1005303	FORD	716102
1000044024	BORGW	472213	100120R	CASE	473414	10033593	GMC	224255	100537	TIMKE	100537
1000044030	BORGW	482163N	100142SB	TRSCM	472311	10033594	GMC	710179	10053LPD	JN-MN	471801
1000044032	BORGW	415449	100142SB	TRSCM	472311V	10034	C-R	203005	10053LUP	JN-MN	471801
1000057M1	MASSE	350414	100142SC	TRSCM	350414	10034	C-R	205005	10054LUP	JN-MN	473234
1000057M1	MASSE	472311	100142TC	TRSCM	472311	10034	SKF	203005	100552	TIMKE	100552
10001200	UNIVE	417020	10015	C-R	320457	10034	SKF	205005	100557	TIMKE	100557
100021	MC-CL	470120	10015	SKF	320457	10034D5	DIA	415003	10055LPD	JN-MN	470548
100021	MC-CL	471224	100150	MICH	470120	10034D5	DIA	415458	10055LPD	JN-MN	470625
100021	SCOT	470120	100150	MICH	471224	10034R	IH	471785	10055LUP	JN-MN	470548
100021	SCOT	471224	100154	BORGW	473224	10035	C-R	204005	10055LUP	JN-MN	470625
10002406	TROS	471103	100162	MICH	470219	10035	SKF	204005	100564	MC-CL	481443
10002406	TROS	50197S	100162	MICH	471649	100353	GMC	471750	1005745	FORD	710808
10002804	TROS	6863S	100162	UNIVE	470219	100357	TIMKE	100357	10057LPD	JN-MN	416339
10002805	TROS	6863S	100162	UNIVE	471649	10035LPD	JN-MN	473232	10057LPD	JN-MN	455031
10002806	TROS	6863S	100162SLD	MICH	471649	10035LUP	JN-MN	473232	10057LUP	JN-MN	416339
10003204	TROS	471442	100165	TIMKE	100165	10036285	GMC	3698	10057LUP	JN-MN	455031
10003205	TROS	410119	100170	MC-CL	350435	10036286	GMC	9845	100584	MC-CL	481443
10003205	TROS	471442	1001706	WITTE	450085	10036788	GMC	3698	100586	CLARK	472826
10003206	TROS	471442	1001706	WITTE	470530	10036LPD	JN-MN	455079	100587	CLARK	451469
10003604	TROS	472705	100171	MC-CL	471192	10036LUP	JN-MN	455079	10058LPD	JN-MN	471766
10003606	TROS	472705	10017172	GMC	3698	1004	UNIVE	417570	10058LUP	JN-MN	471766
10004004	TROS	351487	100175	MICH	471689	100408	READY	471763	100598	CLARK	45187S
100042	C-R	417605	100175	UNIVE	471689	100412	VICK	200354	10059S	NATL	410059
100042	SKF	417605	100176	MC-CL	450159	100414	CLARK	345146	10059S	NATL	470380
10004460	FIAT	223035	10017LPD	JN-MN	417546	100419	CLARK	40316S	10059SS	JN-MN	353132
100044HA	IH	340787	10017LUP	JN-MN	417546	1004416M1	MASSE	41264S	1006050	WITTE	340771
10004802	TROS	240735	1001816M1	MASSE	470027	1004418M1	MASSE	240119	10060LPD	JN-MN	450194
10004LPD	JN-MN	417344	1001816M1	MASSE	471554	1004456	FORD	711002	10060LPD	JN-MN	473010
10004LPD	JN-MN	455006	100182	UNIVE	450593	1004457	FORD	711002	10060LUP	JN-MN	450194
10004LUP	JN-MN	417344	100182TB	TRSCM	450593	10044LPD	JN-MN	416706	10060LUP	JN-MN	473010
10004LUP	JN-MN	455006	100182TB	TRSCM	470041	10044LPD	JN-MN	455272	10062LPD	JN-MN	417596
1000503M1	MASSE	471466	100183	MICH	450593	10044LUP	JN-MN	416706	10062LUP	JN-MN	417596
100051	C-R	417020	1001837	MASSE	470219	10044LUP	JN-MN	455272	10063	DEXTR	370219A
100051	SKF	417020	1001837	MASSE	471649	10045271	CONME	380025A	10063LPD	JN-MN	416364
10005175	GMC	3698	10018632	GMC	3698	10045273	CONME	380065A	10063LUP	JN-MN	416364
10005176	SELAS	3698	100187	MICH	471733	10045883	CONME	370048A	10065600	GMC	4307V
10005430	CONME	370001A	100187	UNIVE	471733	10045885	CONME	370001A	10065600	GMC	5273
10005430	CONME	380001A	10019	BU-SP	415138	10045887	CONME	370003A	10065LPD	JN-MN	415303
10005431	CONME	370003A	1001938M1	MASSE	353132	10045888	CONME	370025A	10065LUP	JN-MN	415303
10005431	CONME	380003A	100198	MICH	471744	10045889	CONME	370065A	100667	CLARK	473473
10005433	CONME	370065A	100198	UNIVE	471744	10046337	GMC	5778	1007	STEM	370028A
10005433	CONME	376590A	100200	MICH	471760	100470	TIMKE	100470	100700	CLARK	472015
10005433	CONME	380065A	100200	UNIVE	471760	1004790	KELSE	343099	10070R	IH	412119
10005436	CONME	370025A	1002021	WITTE	450115	1004899M1	MASSE	340151	100712V	TIMKE	100712V
10005436	CONME	380025A	1002021	WITTE	473467	10049	C-R	450593	100715V	TIMKE	100715V
1000549M1	MASSE	340120	100202SB	TRSCM	471619	10049	SKF	450593	100727	TIMKE	100727
100058	TIMKE	100058	100206	MICH	453165	1004911	ALLCH	471267	10073LPD	JN-MN	416556
100066R91	IH	475012N	100206	MICH	471619	100494	TIMKE	100494	10073LPD	JN-MN	472157
100075	C-R	417020	100206	UNIVE	453165	100495	TIMKE	100495	10073LUP	JN-MN	416556

INTERCHANGE SECTION

COMPETITIVE INTERCHANGES



Mfr No.	Mfr.	National	Mfr No.	Mfr.	National	Mfr No.	Mfr.	National	Mfr No.	Mfr.	National
10073LUP	JN-MN	472157	1011056	DURA	473236	101260	SPERY	473462	10151LUP	JN-MN	417546
10075	C-R	471733	1011057	DURA	472658	101277	TW-CO	471801	1015243M1	MASSE	203025
10075	SKF	471733	1011057	DURA	473197	10128	C-R	471760V	10152LPD	JN-MN	417556
10075	UNIVE	471689	10110LPD	JN-MN	415559	10128	SKF	471760V	10152LUP	JN-MN	417556
100796	TIMKE	100796	10110LUP	JN-MN	415559	10128316	GMC	710891	10152VB	TRSCM	471270
1007A3	WHITE	412119	101116A	OLIVE	340413	10128317	GMC	324234V	10153	C-R	40157S
1007A3	WHITE	450101	10111769	GMC	9845	101285	TW-CO	471801	101533	BU-SP	415379
1007VB7	MARI	415227	10111LPD	JN-MN	471862	10129	C-R	471760V	101533	BU-SP	455379
1008	BUSHH	471984	10111LUP	JN-MN	471862	10129	SKF	471760V	10153SA	TRSCM	471076
1008	STEM	370010A	10112	C-R	240462	101295C1	IH	473231	10154LUP	JN-MN	456641
1008	STEM	370054A	10112	SKF	240462	10129LPD	JN-MN	417493	10156051	GMC	4307V
1008	STEM	370150A	10112635	GMC	5778V	10129LUP	JN-MN	417493	10157	C-R	472138
1008	UNIVE	415227	10112663	GMC	7457N	1012N	TIMKE	1012N	10157	SKF	472138
10081225	UNIVE	417570	10114	C-R	471744	1013	STEM	370036A	101572TB	TRSCM	473380
100858201	EATON	370001A	10114	SKF	471744	1013	STEM	370066A	10158	C-R	471619
100858201	EATON	380001A	101147	CLARK	450067	1013	STEM	370349A	10158	SKF	471619
100858401	EATON	370001A	101147	CLARK	473228	1013	STEM	380036A	101584	MC-CL	340797
100858401	EATON	380001A	101151	CLARK	471419	101300	MC-CL	340787	101590	CLARK	415036
100859	CUMMI	472705	101151	CLARK	473367	101303	MC-CL	450545	101590	TW-CO	415036
10087LPD	JN-MN	416921	10115744	GMC	4307V	101305	MC-CL	471267	10161250	UNIVE	415227
10087LPD	JN-MN	455011	101162	UNIVE	481650	101306	MC-CL	340817	10162078	GMC	474241V
10087LUP	JN-MN	416921	101172	ALFAR	223520	101308	ALFAR	1174	10162SB	TRSCM	471649
10087LUP	JN-MN	455011	10117728	GMC	3543	10131	C-R	471760	10162TB	TRSCM	471649
10088158	GMC	4359V	10117767	GMC	5072	10131	SKF	471760	10163SM	TRSCM	471651
10088158	GMC	5274	10117848	GMC	710441	101311VL	TRSCM	342517	10164LPD	JN-MN	412473
1008VB7	MARI	415227	101180	CUMMI	471984	101314	WHITE	370007A	10164LPD	JN-MN	415894
1009	STEM	370015A	101181	CUMMI	450185	1013166M1	MASSE	471869	10164LUP	JN-MN	412473
100927	HK-SY	8907	101181	CUMMI	473229	1013166M1	MASSE	473459	10164LUP	JN-MN	415894
100944	CLARK	416271	101191	GMC	416239	1013166M2	MASSE	6988H	10164SSTM	TRSCM	470219
100944	TIMKE	100944	1011J1	OSHKO	415035	10132LPD	JN-MN	415371	10164T2	DIA	415995
10096LPD	JN-MN	415551	1011J1	OSHKO	455035	10132LUP	JN-MN	415371	10164T2	DIA	455013
10096LUP	JN-MN	415551	1012	BR-WN	472560N	10132SB	TRSCM	252277	10164T2	WHITE	415995
10097	CLARK	472015	1012	BR-WN	50151S	10132SB	TRSCM	441130	10164T2	WHITE	455013
10097LPD	JN-MN	417344	1012	STEM	370023A	10132TBY	TRSCM	252277	10165LPD	JN-MN	415303
10097LPD	JN-MN	455006	1012	STEM	370024A	101342	HU-WR	415036	10165LUP	JN-MN	415303
10097LUP	JN-MN	417344	1012	STEM	370033A	101362	AM WH	415035	101678A	WHITE	473517
10097LUP	JN-MN	455006	1012	STEM	380023A	101362	AM WH	455035	101679A	OLIVE	415281N
10099LPD	JN-MN	415551	10120LPD	JN-MN	412040	101366	MC-CL	473425	101679A	WHITE	417349
10099LUP	JN-MN	415551	10120LUP	JN-MN	412040	101367	MC-CL	472164	10167T2	WHITE	417181
10099P	IH	473447	1012141M1	MASSE	204002	101368	MC-CL	473425	10168	C-R	222630
100A03604	TROS	472705	101216	CLARK	416921	1014	STEM	370030A	10168	SKF	222630
100B02806	TROS	6863S	101216	MIXMO	416921	10140	C-R	710844	101685	HU-WR	415379
101	UNIVE	471735	10121LPD	JN-MN	415449	10140	SKF	710844	101685	HU-WR	455379
1010	DEXTR	413470	10121LPD	JN-MN	455147	10140533	GMC	3771	10168582	GMC	4359V
1010	STEM	370013A	10121LUP	JN-MN	415449	10140538	GMC	4333N	10169	ALLCH	455195
10100LPD	JN-MN	55563	10121LUP	JN-MN	455147	10142LPD	JN-MN	416297	10169	ALLCH	472157
10100LUP	JN-MN	415563	10121VM	TRSCM	240731	10142TB	TRSCM	470120	10169	TRAC	455195
10100LUP	JN-MN	417433	1012219M1	MASSE	471750	10142TB	TRSCM	470553	10169	TRAC	472157
10101164	GMC	325776	10122535	MC-CL	340797	10142TB	TRSCM	471224	101691A	OLIVE	472258
101044	MC-CL	450545	101225E	MC-CL	340797	10142TBY	TRSCM	471224	101691A	WHITE	472258
101045	MC-CL	470506	10123	C-R	471760	10142TBY	TRSCM	471224V	1016B	GOODM	470163
10106475	GMC	5072	10123	SKF	471760	10142VTB	TRSCM	471224V	1016B	GOODM	471766
101082	COOK	456618	10124	C-R	471760	101448	CLARK	417351	1017	STEM	370018A
101083	WHELA	416891	10124	SKF	471760	101448	CLARK	455154	10171	GW	415035
10108477	GMC	4359V	101246	MC-CL	340385	1014734	CINMI	450070	10171	GW	455035
101126154	MAZDA	710320	1012461	MC-CL	340385	1014734	CINMI	472185	101712A	WHITE	311189
1011004M1	MASSE	470120	10125	UNIVE	50445	101497	CLARK	470163	1017293M1	MASSE	240356
1011004M1	MASSE	471224	101255	CLARK	415003	101497	CLARK	471766	10172LPD	JN-MN	470548
1011035	WOOL	415960	101255	CLARK	415458	1014RING	STEM	370030A	10172LPD	JN-MN	470625
1011035	WOOL	455009	101260	SPERY	450094	10151LPD	JN-MN	417546	10172LUP	JN-MN	470548

INTERCHANGE SECTION

COMPETITIVE INTERCHANGES

Mfr No.	Mfr.	National	Mfr No.	Mfr.	National	Mfr No.	Mfr.	National	Mfr No.	Mfr.	National
10172LUP	JN-MN	470625	102001	HOUGH	455186	10227	WITTE	455547	1025	STEM	370107A
10172TB	TRSCM	471689	102001H1	HOUGH	455186	10228655	GMC	710891	10254873LUP	JN-MN	417570
10172TBY	TRSCM	471689	10201LPD	JN-MN	416865	102292	CLARK	450076	10250LPD	JN-MN	450154
10172VAY	TRSCM	40230S	10201LUP	JN-MN	416865	102292	CLARK	470334	10250LPD	JN-MN	473234
10172VTB	TRSCM	471689V	10202TB	TRSCM	471760	10229LPD	JN-MN	471571	10250LUP	JN-MN	450154
10173	C-R	222630	10202VHY	TRSCM	40157S	10229LUP	JN-MN	471571	10250LUP	JN-MN	473234
10173	SKF	222630	10202VTB	TRSCM	471760V	1023	STEM	370065A	102513	HOUGH	417316
101732	FR-HT	41013S	1020372	CANAD	416865	1023	STEM	370107A	102513	HOUGH	455004
101736	FORD	471192	102040	OPEL	710867	1023	STEM	380065A	102513H1	HOUGH	417316
10173SA	TRSCM	471689	10205	GW	471567	10234	DANMA	204002	102513H1	HOUGH	455004
10173TB	TRSCM	471744	102053	MC-CL	471443	10234F	IH	450094	1025174M1	MASSE	6936S
10174VB	TRSCM	203005	102053	MC-CL	481443	10234F	IH	473462	10252LPD	JN-MN	415219
10174VB	TRSCM	205005	10206	GW	470027	1023564	DURA	470358	10252LUP	JN-MN	415219
10174VHY	TRSCM	204005	10206	GW	471554	1023564	DURA	473231	1025354M1	MASSE	5092
10176T2	WHITE	240735	102062SB	TRSCM	473420	102361	CLARK	473464	10253LPD	JN-MN	473243
101773TA	TRSCM	470230	10206D	IH	473447	1023682	CANAD	410520	10253LUP	JN-MN	473243
101773TA	TRSCM	471689	102078	KELSE	204035	1023682	CANAD	471272	102540	C-R	417570
101779	HU-WR	471692	10207LPD	JN-MN	471870	1023682	HK-SY	471272	102540	SKF	417570
10178	C-R	321516	10207LPD	JN-MN	471883	1023684	CANAD	470898	102553	GMC	417298
10178	C-R	471516	10207LUP	JN-MN	471870	10237	C-R	710553	1025611	CANAD	415447
10178	SKF	321516	10207LUP	JN-MN	471883	10237	SKF	710553	102577	MC-CL	481443
10178	SKF	471516	10207P	IH	471570	1023780	DURA	470027	10258LPD	JN-MN	417780
1017B	GOODM	471795	102087	CLARK	415003	1023780	DURA	471554	10258LUP	JN-MN	417780
1018	STEM	370008A	102087	CLARK	415458	1023781	DURA	470169	10259LPD	JN-MN	450365
1018	STEM	370009A	10208LUP	JN-MN	415449	1023781	DURA	473214	10259LPD	JN-MN	470898
1018	STEM	380009A	102092	GRAM	474276	1023782	DURA	450039	10259LUP	JN-MN	450365
1018066M1	MASSE	471529	1021	FMS	1021V	1023783	DURA	471231	10259LUP	JN-MN	470898
10181	C-R	710316	1021	STEM	370027A	1023786	DURA	470567	1026	STEM	370019A
10181	SKF	710316	102101	GRAM	410308	1023786	DURA	471267	102602	HYST	455471
1018103	DURA	470120	102101	GRAM	450308	1023787	DURA	470712	102610	CLARK	410308
1018103	DURA	471224	102119	CLARK	415697	1023869	CANAD	410316	102610	CLARK	450308
101823	CINMI	450183	102119	CLARK	455547	1023869	CANAD	472636	102627	GMC	473466
101823	CINMI	472179	102122	MICH	417570	1023914	CANAD	472016	10267LPD	JN-MN	415294
10183LPD	JN-MN	450593	102157	CLARK	455556	1023914	HK-SY	472016	10267LPD	JN-MN	455294
10183LUP	JN-MN	450593	102168	UNIVE	470606	1023915	CANAD	472164	10267LUP	JN-MN	415294
10184LPD	JN-MN	472029	1021688	CANAD	473204	1023915	HK-SY	472164	10267LUP	JN-MN	455294
10184LUP	JN-MN	472029	1021721	CANAD	471854	1023916	CANAD	471138	102683	AM WH	472185
101868	MC-CL	350364	1021743	CANAD	J1109	10240	FUNK	455200N	1026A3	WHITE	485195H
101872TB	TRSCM	471733	102175	MICH	471705	102408A	OLIVE	416738	1026X1	PEERC	252277
10188	C-R	710399	102175	UNIVE	471705	1024094	CANAD	417254	102705	CLARK	450082
10188	SKF	710399	102178	MC-CL	240119	1024116	CANAD	417134	102705	CLARK	473238
1018B	GOODM	471801	102182	UNIVE	450043	1024125	CANAD	416380	10272LPD	JN-MN	455328
1018D	GOODM	471801	102182	UNIVE	473419	1024126	CANAD	J1131	10272LUP	JN-MN	455328
101911	PEUGE	223005	102183	MICH	450043	102430	MC-CL	471766	102766	US-EL	472951
10190LPD	JN-MN	476510	102183	MICH	473419	1024301	MC-CL	470163	102766	US-EL	474252
10190LUP	JN-MN	476510	102187	MICH	471735	1024301	MC-CL	471766	102767	US-EL	474255
10191640	GMC	3945	102187	UNIVE	471735	10243247	GMC	9845V	102768	US-EL	473214
10191642	GMC	3945	102198	MICH	450342	1024387	DURA	473446	102769	US-EL	450161
1019229M1	MASSE	470954	102198	UNIVE	450342	1024388	DURA	471105	102769	US-EL	471764
101928	CLARK	473232	1021V	TIMKE	1021V	10243965	GMC	9845	102776	US-EL	472951
101929	CLARK	450085	102200	MICH	471762	10243TB	TRSCM	471516	102776	US-EL	474252
101929	CLARK	470530	102200	UNIVE	471762	10243TC	TRSCM	321516	1028	STEM	370007A
10193TB	TRSCM	471744	102206	UNIVE	473420	102443	CEMAC	473215	1028	STEM	370019A
1019646	DURA	350414	1022132	DURA	340483	1024645	DURA	471733	1028	STEM	370057A
1019646	DURA	472311	1022132	MOTO	340483	1024652	DURA	471652	10283TB	TRSCM	472953
1019S	TIMKE	1019	1022309	WOOL	416339	1024861	CANAD	J1103	10284	DANA	614743
101VB7	MARI	470120	1022309	WOOL	455031	10249LPD	JN-MN	417351	10284	KERSH	614743
101VB7	MARI	471224	102265	HOUGH	417539	10249LPD	JN-MN	455154	10284	SPICE	614743
102	DEXTR	440265	102265H1	HOUGH	417539	10249LUP	JN-MN	417351	10285LPD	JN-MN	415036
102	UNIVE	470712	10227	WITTE	415697	10249LUP	JN-MN	455154	10285LUP	JN-MN	415036

INTERCHANGE SECTION

COMPETITIVE INTERCHANGES



Mfr No.	Mfr. National	Mfr No.	Mfr. National	Mfr No.	Mfr. National	Mfr No.	Mfr. National
10286	DANA 614743	103080	CUMMI 450194	1035972A	MOTO 471255	103894	AIRCO 470530
10286	KERSH 614743	103080	CUMMI 473010	1035978	DURA 471643	1039	NATL 226020
10286	SPICE 614743	103081	CUMMI 39302	1035978A	DURA 471643	103935	CLARK 415025
1028872	FMC 455018	103082	CUMMI 471571	1035978A	MOTO 471643	103939	GMC 417555
1028872	FMC 476470	103084	MC-CL 351267	1036	STEM 370001A	103964	CLARK 40566S
10289LPD	JN-MN 471341	103084	MC-CL 471267	1036	STEM 370002A	103993	KELSE 3942
10289LUP	JN-MN 471341	1031001	STDFG 614743	1036	STEM 370036A	10399301	KELSE 3942
1028A2	WHITE 450085	103102001	STDFG 614743	1036	STEM 370132A	103D6	WHITE 5751
1028A2	WHITE 470530	103103002	STDFG 614743	1036	STEM 370179A	103E27	EIMCO 417344
10293	CASE 450115	1031034	FORD 224650	1036	STEM 370349A	103E27	EIMCO 455006
10293	CASE 473467	103104001	STDFG 614743	1036	STEM 380001A	103VB7	MARI 470163
102936H1	HOUGH 450085	103115	GRAM 450183	1036	STEM 380036A	103VB7	MARI 471766
102936H1	HOUGH 470530	103115	GRAM 472179	1036	TIMKE 1036	104	DEXTR 442251
102936H1	IH 450085	10311LPD	JN-MN 455330	103604	AIRCO 415295	104	UNIVE 470163
102936H1	IH 470530	10311LUP	JN-MN 455330	103641	CLARK 471264	104	UNIVE 471766
102940	MC-CL 481073	103136R	US-EL 340817	10364LPD	JN-MN 416664	1040	YARD 471570
1029402	MC-CL 481073	103182	UNIVE 450044	10364LPD	JN-MN 455364	104037	FR-HT 41787S
10294B1	DIA 417267	103183	MICH 450044	10364LUP	JN-MN 416664	10403LPD	JN-MN 471231
102963	HOUGH 450085	103185	CLARK 417181	10364LUP	JN-MN 455364	10404	CR-CF 471191
102963	HOUGH 470530	10320	US-EL 451583	103650	CLARK 450083	104046	CLARK 240319
102976	HOUGH 450070	103200	MICH 450159	103650	CLARK 472924	104046X03	TROS 7929S
102976	HOUGH 472185	103200	UNIVE 450159	10365A	NOK 5126	10404802	TROS 240816
102976H1	HOUGH 450070	10321	US-EL 450400	10368	BR-WN 410102	10404LPD	JN-MN 470169
102976H1	HOUGH 472185	103223	CLARK 417210	103681	CLARK 40101S	10404LPD	JN-MN 473214
102979	MC-CL 471267	10324	US-EL 450316	1036836M1	MASSE 441853	10404LUP	JN-MN 470169
102999	CUMMI 473211	10324	US-EL 472636	103686	CLARK 456105	10404LUP	JN-MN 473214
102VB7	MARI 471760	10325	GWJ 415088	1036RC	SUL 473460	10405LPD	JN-MN 474274
103	DEXTR 441319	10325	GWJ 455088	1037	STEM 370037A	10405LUP	JN-MN 474274
103	UNIVE 471765	103254A	OLIVE 471192	1037	STEM 370048A	10406	DANA 614743
103C6002	EIMCO 470045	103254A	WHITE 471192	1037	STEM 370182A	10406	SPICE 614743
103C6002	EIMCO 476838	103330R1	IH 470059	1037	STEM 370338A	1040600	MERIX 4564V
103006	COOK 415991	103330R1	IH 470380	1037	STEM 380048A	104062	CLARK 450472
103006	COOK 455146	103331R91	IH 450082	1037	TIMKE 1037	10406LPD	JN-MN 471763
103015	COOK 415196	103331R91	IH 473238	10371LPD	JN-MN 417603	10406LUP	JN-MN 471763
10301LPD	JN-MN 411253	10333LUP	JN-MN 416657	10371LUP	JN-MN 417603	104078	FR-HT 204017
10301LPD	JN-MN 450099	103341	HU-WR 415147	103730A	OLIVE 456105	10408	DANA 614743
10301LUP	JN-MN 411253	103341	HU-WR 415449	103730A	WHITE 456105	10408	SPICE 614743
10301LUP	JN-MN 450099	10334LPD	JN-MN 416891	103734	KELSE 471192	10410	BU-SP 471570
103027	COOK 417343	10334LUP	JN-MN 416891	1037464M1	MASSE 200861	104125	MICH 415227
10302LPD	JN-MN 417361	10336LUP	JN-MN 471579	10379LPD	JN-MN 416239	104156	CLARK 455019
10302LUP	JN-MN 417361	1033865	CORTE 710619	10379LUP	JN-MN 416239	104156	MICH 350156
103034	COOK 415991	1034	STEM 370012A	1038	TIMKE 1038	104156	MICH 473096
103034	COOK 455146	1034398	DURA 350414	103802	HU-WR 471765	10416	FULLE 415991
10303LPD	JN-MN 416666	1034398	DURA 472311	103805	HU-WR 415442	10416	FULLE 415991N
10303LUP	JN-MN 416666	1034557	DURA 340483	10380LPD	JN-MN 450070	104175	UNIVE 470189
103047	FR-HT 450117	1034557	MOTO 340483	10380LPD	JN-MN 472185	104175	UNIVE 471692
103047	FR-HT 472572	10345LPD	JN-MN 410496	10380LUP	JN-MN 450070	104181R91	IH 6863S
10304LPD	JN-MN 415960	10345LUP	JN-MN 410496	10380LUP	JN-MN 472185	104182	UNIVE 470045
10304LPD	JN-MN 455009	103465	CLARK 417171	10381	MWKEL 5857	104182	UNIVE 476838
10304LUP	JN-MN 415960	103474	FR-HT 417343	10381LPD	JN-MN 455330	104183	MICH 470045
10304LUP	JN-MN 455009	10347LPD	JN-MN 455123	10381LUP	JN-MN 455330	104183	MICH 476838
10305LPD	JN-MN 418028	10347LUP	JN-MN 455123	10382LPD	JN-MN 415142	104187	MICH 470712
10305LPD	JN-MN 455137	1035055	BENDI 340385	10382LUP	JN-MN 415142	104187	UNIVE 470712
10305LUP	JN-MN 418028	103516A	OLIVE 471869	10384	BR-WN 472015	10418LPD	JN-MN 450316
10305LUP	JN-MN 455137	103516A	OLIVE 473459	10384LPD	JN-MN 415036	10418LPD	JN-MN 472636
10306	WITTE 471750	103516A	WHITE 471869	10384LUP	JN-MN 415036	10418LUP	JN-MN 450316
103062	ONAN 340385	103516A	WHITE 473459	103861	CLARK 40101S	10418LUP	JN-MN 472636
10306LPD	JN-MN 417196	103569	CLARK 353141	1038621	CROWN JV1371	104198	MICH 471747
10306LUP	JN-MN 417196	1035972	DURA 471255	10389	FULLE 450400	104198	MICH 472674
103079	CUMMI 473232	1035972A	DURA 471255	103894	AIRCO 450085	104198	UNIVE 471747

INTERCHANGE SECTION

COMPETITIVE INTERCHANGES

Mfr No.	Mfr.	National	Mfr No.	Mfr.	National	Mfr No.	Mfr.	National	Mfr No.	Mfr.	National
104198	UNIVE	472674	104620H1	HOUGH	415082	105094	DENCO	473231	105442R91	IH	450686
104200	MICH	471763	104634	SPICE	415001	10509LUP	JN-MN	415076	105443R91	IH	417316
104200	UNIVE	471763	104634	SPICE	455001	10513LPD	JN-MN	410737	105445R91	IH	475009N
104206	MICH	471785	10464	IH	471689	10513LPD	JN-MN	450737	105466	EATON	415458
104206	UNIVE	471785	10464R	IH	471689	10513LUP	JN-MN	410737	105496	HU-WR	450301
1042599	FMC	450083	104662	STAND	472164	10513LUP	JN-MN	450737	105496	HU-WR	472397
1042599	FMC	472924	10468	MWKEL	6597S	105142173001	ALFAR	224100	105497	HU-WR	417073
10426LPD	JN-MN	471354	1047	STEM	370029A	10515	C-R	9376	105504	PREST	350364
10426LUP	JN-MN	471354	104705	HOUGH	450183	10515	SKF	9376	10551SS	JN-MN	331107N
10427	BR-WN	416364	104705	HOUGH	472179	105182	UNIVE	450482	105523	OLIVE	411253
1042804	FMC	240414	104705H	HOUGH	450183	105198	MICH	473428	105523	OLIVE	450099
104288	CLARK	473016	104705H	HOUGH	472179	105198	UNIVE	473428	105623	HU-WR	470351
1043	STEM	370012A	104705H2	IH	472179	105199R91	IH	474278	105623	HU-WR	471504
1043	STEM	370015A	10470LPD	JN-MN	415047	105199R91	IH	480356	10562A	FULLE	412871
1043	STEM	370086A	10470LUP	JN-MN	415047	1052	STEM	370145A	10562A	FULLE	450329
1043	STEM	370192A	104711	HOUGH	473460	105200	MICH	450161	105640117700	ALFAR	228480
10432LPD	JN-MN	410520	104711H1	HOUGH	472394	105200	MICH	471764	105640117707	ALFAR	228480
10432LPD	JN-MN	471272	104718	HOUGH	471689	105200	UNIVE	450161	105674H	IH	412920
10432LUP	JN-MN	410520	104718H1	HOUGH	471689	105200	UNIVE	471764	105683A	OLIVE	471529
10432LUP	JN-MN	471272	104718H1	IH	471689	105206	MICH	473427	10569LPD	JN-MN	474255
10433	BR-WN	J1138	10471LPD	JN-MN	416167	105206	UNIVE	473427	10569LUP	JN-MN	474255
104372	MC-CL	470380	10471LPD	JN-MN	455091	10520F	IH	470088	105725	OLIVE	472144
104381	KELSE	6906S	10471LUP	JN-MN	416167	10524LPD	JN-MN	470950	10575F	IH	473211
104396	GMC	470027	10471LUP	JN-MN	455091	10524LPD	JN-MN	6241S	10581	C-R	450188
104396	GMC	471554	10474LPD	JN-MN	450307	10524LUP	JN-MN	470950	10581	SKF	450188
1043RC	SUL	470064	10474LUP	JN-MN	450307	10524LUP	JN-MN	6241S	10583	C-R	3732S
1043RC	SUL	471821	104758	CUMMI	450441	10525SS	JN-MN	40652S	10583	SKF	3732S
1043RING	STEM	370192A	104758	CUMMI	471341	105267R91	IH	450095	10583F	IH	450039
104432	HOUGH	470059	1048	STEM	370025A	105267R91	IH	473464	10584	C-R	712009
104432	HOUGH	470380	1048	STEM	380025A	105272R91	IH	350414	10584	SKF	712009
104436	HOUGH	450183	1048	STEM	386025A	105272R91	IH	472311	10584F	IH	471795
104436	HOUGH	472179	10482LPD	JN-MN	415047	105279R91	IH	450400	10598	C-R	471651
104437	HOUGH	450082	10482LUP	JN-MN	415047	10527LPD	JN-MN	473461	10598	SKF	471651
104437	HOUGH	473238	1048572	FORD	3393	10527LUP	JN-MN	473461	105987R91	IH	473228
10443LPD	JN-MN	417258	10485LPD	JN-MN	472258	105281R91	IH	340413	10598LPD	JN-MN	417551
10443LUP	JN-MN	417258	10485LUP	JN-MN	472258	10528LPD	JN-MN	417344	10598LUP	JN-MN	417551
10447	BR-WN	415146	1049	TIMKE	1049	10528LPD	JN-MN	455006	10599500	JA-HE	351267
10447	BR-WN	415991	104923R91	IH	450400	10528LUP	JN-MN	417344	10599500	JA-HE	471267
104470	CLARK	471344	10494	C-R	710157	10528LUP	JN-MN	455006	10599501	JA-HE	351267
104511	CLARK	411376	10494	SKF	710157	1052A096	MITSU	710900	10599501	JA-HE	471267
104511	CLARK	455093	10496	CASE	240385	1052A118	CHRYSL	710767	106	UNIVE	471192
1045273	WHITE	370003A	10496	IH	413469	1052A118	MITSU	710767	10600	FI-CO	470347
1045273	WHITE	380003A	104969	AM WH	473242	1052A149	MITSU	224200	10600	FI-CO	474254
104541	CLARK	411376	10496F	IH	413469	1052A768	MITSU	710620	10602	FI-CO	471344
104541	CLARK	455093	104997	CLARK	415023	1052A809	MITSU	224200	106092	CLARK	415263
10454LPD	JN-MN	417507	105	UNIVE	473211	1052A824	MITSU	710882	1061	NATL	224045
10454LPD	JN-MN	455513	105014018STLPD	JN-MN	415227	1052B188	MITSU	710900	1061002	LILIS	410496
10454LUP	JN-MN	417507	105017476LDS	JN-MN	415227	1053	STEM	370036A	1061013	LILIS	473227
10454LUP	JN-MN	455513	105000117600	ALFAR	223520	1053	STEM	370349A	106127	CLARK	450389
104564	HOUGH	473215	105000117602	ALFAR	223520	1053	STEM	380036A	106127	CLARK	472492
104564H1	HOUGH	473215	10500LPD	JN-MN	474255	105415	OLIVE	417262	106142SB	TRSCM	480210
104603	HOUGH	415147	10500LUP	JN-MN	474255	105415	OLIVE	455448	106143	FREIG	471267
104603	HOUGH	415449	105013	STDFG	614743	105416	OLIVE	417262	106162SB	TRSCM	471651
104603H1	HOUGH	415147	10506	FULLE	451143	105416	OLIVE	455448	106162SB	TRSCM	481650
104603H1	HOUGH	415449	105070	GMC	417602	105437A	OLIVE	40140S	10616SS	JN-MN	471692
104603H1	IH	415147	105086	KELSE	204029	105440R91	IH	410316	1061822SL	TRSCM	450043
104603H1	IH	415449	105086	KELSE	204507	105440R91	IH	472636	106182SB	TRSCM	471735
104610	US-EL	340413	10509	LEMCO	412119	105441	HU-WR	471689	10618SS	JN-MN	40301S
104620	HOUGH	450083	10509	LEMCO	450101	105442H	IH	473016	106192SB	TRSCM	450342
104620	HOUGH	472924	105094	DENCO	470358	105442R91	IH	410987	106198	MICH	473426

INTERCHANGE SECTION

COMPETITIVE INTERCHANGES



Mfr No.	Mfr. National	Mfr No.	Mfr. National	Mfr No.	Mfr. National	Mfr No.	Mfr. National
106198	UNIVE 473426	10653	SKF 471705	10701LPD	JN-MN 416738	107552	CONME 380003A
10619SS	JN-MN 415449	1065K	MINNM 470045	10701LPD	JN-MN 450096	107552A	OLIVE 472492
1062	STEM 370047A	1065K	MINNM 476838	10701LUP	JN-MN 416738	107552A	WHITE 472492
106200	MICH 471765	1066	STEM 370195A	10701LUP	JN-MN 450096	107553	CONME 370025A
106200	UNIVE 471765	10661	C-R 1990	10707	CHAMP 412871	107553	CONME 380025A
106201	CLARK 415371	10661	SKF 1990	10707	CHAMP 450329	107554	CONME 370065A
106202SB	TRSCM 471762	10663	C-R 222745	10708	CHAMP 470898	107554	CONME 376590A
106206	MICH 471354	10663	SKF 222745	107084	KELSE JV1166	107554	CONME 380065A
106206	UNIVE 471354	10666	C-R 222745	107097	CLARK 450472	10755K	CASE 40140S
106212	MICH 473205	10666	SKF 222745	107099H	IH 450117	10755LPD	JN-MN 450389
106212	UNIVE 473205	106661	HU-WR 416297	107099H	IH 472572	10755LPD	JN-MN 472492
106216R91	IH 350414	106691	HOUGH 471192	1070T2	WHITE 470120	10755LUP	JN-MN 450389
106216R91	IH 472311	106691H1	HOUGH 471192	1070T2	WHITE 471224	10755LUP	JN-MN 472492
106218R91	IH 474278	106691H1	IH 471192	107105H1	IH 471554	10756LPD	JN-MN 450115
106218R91	IH 480356	106692	GR-DV 455079	107105S	HOUGH 470027	10756LPD	JN-MN 473467
106219R91	IH 474276	1067	F-R-H 470059	107105S	HOUGH 471554	10756LUP	JN-MN 450115
10622	CHAMP 415458	1067	F-R-H 470380	107162A	OLIVE 471138	10756LUP	JN-MN 473467
10622	CHAMP 455003	1067	STEM 370069A	107162A	WHITE 471138	10757	CHAMP 471466
106220R91	IH 450400	1067	STEM 380069A	107198	CLARK 471316	10757LPD	JN-MN 450301
106225	MICH 474255	10670	CASE 412119	107198	UNIVE 450048	10757LPD	JN-MN 472397
106225	UNIVE 474255	10670	CASE 450101	107200	MICH 450173	10757LUP	JN-MN 450301
106225R91	IH 472560N	106706	CLARK 470565	107200	UNIVE 450173	10757LUP	JN-MN 472397
106225R91	IH 50151S	10672	CASE 327303	107202	CLARK 417556	107591	C-R 416383
10623G	OSHKO 416556	106720	HOUGH 350954	107216	CUMMI 470059	107591	SKF 416383
10623G	OSHKO 472157	106720	HOUGH 470954	107216	CUMMI 470380	10761LPD	JN-MN 417316
10623SS	JN-MN 40316S	106726	FUNK 415138	107220	CLARK 415327	10761LPD	JN-MN 455004
106241	HU-WR 417351	106737R91	IH 474278	107224	US-EL 471647	10761LUP	JN-MN 417316
106241	HU-WR 455154	106737R91	IH 480356	10724	US-EL 471647	10761LUP	JN-MN 455004
10625	C-R 222742	106738R91	IH 323138	107249	CLARK 6584S	107621A	OLIVE 417344
10625	SKF 222742	106739R91	IH 474276	1072YX	IH 450143	107621A	WHITE 417344
10627	C-R 222742	10680401	KELSE 470547	10733	C-R 450342	10763	EATON 450095
10627	SKF 222742	106806	HU-WR 417198	10733	SKF 450342	10763	EATON 473464
106272	CUMMI 473228	10681	C-R 473419	1073300051	MERCE 1012N	10766	C-R 473420
106273	CUMMI 451857	10681	SKF 473419	107358	CLARK 370166A	10766	SKF 473420
106274	CUMMI 470077	10682LPD	JN-MN 471765	107359C1	IH 5723	1077	STEM 370028A
106274	CUMMI 474281	10682LUP	JN-MN 471765	10737ST	JN-MN 416891	107720	CLARK 415035
106275	CUMMI 471419	10684S	NATL 8160S	107386	HU-WR 415013	107720	CLARK 455035
106275	CUMMI 473367	106852	EATON 450121	107386	HU-WR 415995	107732R1	IH 474276
106276	CUMMI 472164	106852	EATON 472409	107391	CLARK 416125	107732R91	IH 474276
106277	CUMMI 472185	10687	FI-CO 471765	10740	C-R 471762	107744A	WHITE 415960
106278	CUMMI 470530	106919	CLARK 415991	10740	SKF 471762	107745A	WHITE 472572
106296	CLARK 450867	106919	CLARK 455146	107494	KELSE 473463	107754A	OLIVE 471801
106296	CLARK 470898	106949R91	IH 417316	10749LPD	JN-MN 470219	1078	ALLCH 415281N
1063	STEM 370002A	106949R91	IH 455004	10749LPD	JN-MN 471649	1078	NATL 224040
1063	STEM 370165A	106955	HOUGH 410163	10749LUP	JN-MN 470219	1078	TRAC 415281N
1063	STEM 370169A	106955	HOUGH 471766	10749LUP	JN-MN 471649	10784	EATON 100495
10632	C-R 470606	106955H1	HOUGH 410163	1074LPD	JN-MN 450307	10784	EATON 415281N
10632	SKF 470606	106955H1	HOUGH 471766	1074LUP	JN-MN 450307	10784	FULLE 100495
106339	CUMMI 473016	10698	JN-MN 55103S	107516530LDS	JN-MN 416383	10784	FULLE 415281N
10634	C-R 222743	10698LPD	JN-MN 55103S	10751LPD	JN-MN 470120	107885	HOUGH 417316
10634	SKF 222743	106W212	CONE 5168	10751LPD	JN-MN 471224	107885	HOUGH 455004
10635LDS	JN-MN 416664	107	C-R 5419	10751LUP	JN-MN 470120	1079	STEM 370003A
1064	STEM 370014A	107	DEXTR 415137	10751LUP	JN-MN 471224	1079	STEM 370005A
1064	STEM 370046A	107	DEXTR 418028	10753LPD	JN-MN 470403	1079	STEM 370006A
10640	C-R 1990	107	SKF 5419	10753LPD	JN-MN 470774	1079	STEM 370173A
10640	SKF 1990	107	UNIVE 473226	10753LUP	JN-MN 470403	1079	STEM 380003A
1064730	CHRY5 6186	10700	C-R 471735	10753LUP	JN-MN 470774	107904	CLARK 415035
1065079	GMC 225230	10700	SKF 471735	107551	CONME 370001A	107904	CLARK 455035
1065148	FORD 710808	10700LPD	JN-MN 455123	107551	CONME 380001A	107972	CLARK 415379
10653	C-R 471705	10700LUP	JN-MN 455123	107552	CONME 370003A	107972	CLARK 455379

INTERCHANGE SECTION

COMPETITIVE INTERCHANGES

Mfr No.	Mfr.	National	Mfr No.	Mfr.	National	Mfr No.	Mfr.	National	Mfr No.	Mfr.	National
107974	AM WH	471472	108339	CLARK	416149	10887434	CHRYS	470898	109322	HOUGH	415138
10797LPD	JN-MN	470605	10833SS	JN-MN	40140S	1089	STEM	370120A	109322H1	HOUGH	415138
10797LUP	JN-MN	470605	10834	SEALR	470059	10891	BU-SP	470625	109322H1	IH	415138
108	UNIVE	450067	10834	SEALR	470380	10892	BU-SP	456105	10933	FITZ	5095
108	UNIVE	473228	10837	CLARK	470565	10893	BU-SP	471267	10934	C-R	712008
1080	GR-DV	417602	108374	CLARK	470565	10898	EATON	450082	10934	SKF	712008
10803006	TROS	470004	1084	SEALR	470027	10898	EATON	473238	109352	GOODM	417481
10803204	TROS	471526	1084	SEALR	471554	108A03604	TROS	471281	109352	JEFF	417481
10803205	TROS	471526	10840	SEALR	450117	109	UNIVE	470682	109353	GOODM	413478
10803406	TROS	471530	10840	SEALR	472572	109000	HYST	474276	109356	US-EL	450194
108035	CLARK	415995	10841	SEALR	450301	109027	CANAD	8907	109356	US-EL	473010
108035	CLARK	455013	10841	SEALR	472397	10904LPD	JN-MN	471553	10936	C-R	1990
10803606	TROS	471281	108463	HU-WR	6590S	10904LUP	JN-MN	471553	10936	SKF	1990
10803806	TROS	471532	10846SS	JN-MN	415379	1090672	CHRYS	475009N	10937	C-R	222835
10804004	TROS	471466	10847	SEALR	417316	109070	CLARK	416921	10937	SKF	222835
10804005	TROS	471466	10847	SEALR	455004	109070	CLARK	455011	10938	C-R	222835
10804006	TROS	471466	1085	STEM	370034A	109099	FORD	6336S	10938	SKF	222835
10804205	TROS	481528	1085272M1	MASSE	470954	109099	OLIVE	6336S	10939	C-R	222820
10804406	TROS	471529	10854ST	JN-MN	416476	1091	STEM	370023A	10939	SKF	222820
10804803	TROS	1049	10854ST	JN-MN	455075	1091	STEM	370024A	1094	STEM	370003A
10805602	TROS	240733	10855LPD	JN-MN	472354	1091	STEM	380023A	1094	STEM	370005A
108092R91	IH	450084	10855LPD	JN-MN	50395S	10910LPD	JN-MN	415483	1094	STEM	380003A
10811	SEALR	470590	10855LUP	JN-MN	472354	10910LPD	JN-MN	455368	10944	C-R	222830
10812	SEALR	451583	10855LUP	JN-MN	50395S	10910LUP	JN-MN	415483	10944	SKF	222830
10814	SEALR	470219	1085688M1	MASSE	472185	10910LUP	JN-MN	455368	10945	BU-SP	412119
10814	SEALR	471649	108574H1	HOUGH	471442	109119R91	IH	471413	10945	BU-SP	450101
108144	AM WH	470219	10859LPD	JN-MN	416339	10911LPD	JN-MN	413470	109451X	GRAM	471267
108144	AM WH	471649	10859LPD	JN-MN	455031	109198	MICH	470050	10947	C-R	222820
10815P	IH	470086	10859LUP	JN-MN	416339	109198	UNIVE	470050	10947	SKF	222820
10816	GR-DV	417604	10859LUP	JN-MN	455031	109200	MICH	473424	10948LPD	JN-MN	417493
10816	SEALR	471733	1086058M1	MASSE	470548	109200	UNIVE	473424	10948LUP	JN-MN	417493
10817	SEALR	470045	1086058M1	MASSE	470625	1092097M1	MASSE	472439	10949LPD	JN-MN	450094
10817	SEALR	476838	10860LPD	JN-MN	472012	10921767	GMC	417343	10949LPD	JN-MN	473462
10818	SEALR	470712	10860LUP	JN-MN	472012	10922	C-R	712008	10949LUP	JN-MN	450094
108198	MICH	471750	108653	CLARK	415351	10922	SKF	712008	10949LUP	JN-MN	473462
108198	UNIVE	471750	1086758M1	MASSE	470219	10922155	WHITE	485195H	10950LPD	JN-MN	415187
10820	GR-DV	417567	1086758M1	MASSE	471649	109224	HYST	471744	10950LUP	JN-MN	415187
10820	SEALR	471763	108679	CLARK	416039	10923	C-R	710325	10952LPD	JN-MN	471689
108200	MICH	470163	108696	SIMPL	342805	10923	SKF	710325	10952LUP	JN-MN	471689
108200	MICH	471766	10869LPD	JN-MN	417480	10927	C-R	710119	10957	C-R	222860
108200	UNIVE	470163	10869LPD	JN-MN	455860	10927	SKF	710119	10957	SKF	222860
108200	UNIVE	471766	10869LUP	JN-MN	417480	1093	STEM	370021A	10958	C-R	222860
108206	MICH	471787	10869LUP	JN-MN	455860	1093	STEM	370022A	10958	SKF	222860
108206	UNIVE	471787	108705	CLARK	415072	1093	STEM	370124A	109580	FORD	417343
108210	UNIVE	450177	108735C1	IH	472164	1093	STEM	370131A	109595	CANAD	471138
108211	MICH	450177	10875104	NAPCO	412871	1093	STEM	370178A	10959LPD	JN-MN	415254
108212	MICH	471795	10875104	NAPCO	450329	1093	STEM	380022A	10959LUP	JN-MN	415254
108212	UNIVE	471795	108773	AM WH	417247	1093	STEM	380131A	10960LPD	JN-MN	455015
108225	MICH	471801	10877SS	JN-MN	474278	10930	C-R	2503N	10960LUP	JN-MN	455015
108225	UNIVE	471801	10877SS	JN-MN	480356	10930	SKF	2503N	10963	BU-SP	415137
108244	MICH	471818	1088	ALLCH	473461	1093006M1	MASSE	415072	10963	BU-SP	418028
10826	SEALR	470163	1088	B-L-H	415124	10931	C-R	712008	10963LPD	JN-MN	417491
10826	SEALR	471766	1088	STEM	370031A	10931	SKF	712008	10963LUP	JN-MN	417491
10827	SEALR	473211	1088	STEM	380031A	109314	HOUGH	415001	10964	BU-SP	450316
108294	EATON	473235	1088	TRAC	473461	109314	HOUGH	455001	10964	BU-SP	472636
108294H	IH	473235	108806H1	HOUGH	476470	109314H1	HOUGH	415001	109659	CLARK	450073
10830	TMTR	471192	108811C1	IH	5723	109314H1	HOUGH	455001	1096669	FORD	710798
108309	CLARK	416149	1088312M1	MASSE	7700S	109315	HOUGH	475012N	10969	BU-SP	415196
10831	SEALR	480630	1088602	CHRYS	6186	10932	C-R	222820	10972	CASE	8650S
108313	CLARK	415263	10887434	CHRYS	450867	10932	SKF	222820	10982LPD	JN-MN	411253

INTERCHANGE SECTION

COMPETITIVE INTERCHANGES



Mfr No.	Mfr.	National	Mfr No.	Mfr.	National	Mfr No.	Mfr.	National	Mfr No.	Mfr.	National
10982LPD	JN-MN	450099	10A20796	MINNM	416047	10A44F	AAMCO	7929S	10X15186	MINNM	415960
10982LUP	JN-MN	411253	10A20796	MINNM	416332	10A45F	AAMCO	331107N	10X23028	MINNM	415379
10982LUP	JN-MN	450099	10A20796	WHITE	416047	10A46F	AAMCO	7692S	10X23028	MINNM	455379
109831	US-EL	416339	10A20796	WHITE	416332	10A4731	MINNM	471424	10X29504	MINNM	416271
109935R91	IH	473473	10A20859	MINNM	473231	10A50N	AAMCO	480479H	10X29720	MINNM	415960
109936R91	IH	412871	10A20859	WHITE	473231	10A5104	MINNM	416664	10X29720	MINNM	455009
109936R91	IH	450329	10A2111	MINNM	473237	10A5104	MINNM	455364	10X30979	MINNM	417205
109939R91	IH	471570	10A2112	MINNM	417158	10A56Y	AAMCO	6712NA	10X3114	MINNM	473205
10A10111	MINNM	6703S	10A2112	MINNM	455355	10A57Y	AAMCO	8792S	10X31311	MINNM	471138
10A10517	MINNM	471442	10A2112	WHITE	417158	10A6156	FED	474278	10X31317	MINNM	415991
10A10894	MINNM	450474	10A2112	WHITE	455355	10A6156	FED	480356	10X31317	MINNM	455146
10A10L	AAMCO	471193N	10A2113	MINNM	416921	10A6239	FED	323138	10X3144	MINNM	473205
10A11608	MINNM	472234	10A2113	MINNM	455011	10A6268	FED	481568	10X33841	MINNM	203013
10A11658	MINNM	417350	10A21423	MINNM	415991	10A6289	AVCO	416404	10X33841	WHITE	203013
10A11658	MINNM	455479	10A21423	MINNM	415991N	10A6289	MINNM	416404	10X33923	MINNM	40301S
10A1297	FED	474276	10A21423	WHITE	415991	10A6627	MINNM	473473	10X34138	MINNM	415447
10A14257	MINNM	417344	10A21423	WHITE	415991N	10A6732	MINNM	417344	10X34138	WHITE	415447
10A14257	MINNM	455006	10A21691	MINNM	473016	10A6733	MINNM	410190	10X5487	WHITE	470954
10A14262	MINNM	415281N	10A21691	WHITE	473016	10A69B	AAMCO	8609	10X5487	WHITE	480954
10A1442	FED	450400	10A22092	MINNM	471272	10A70	AAMCO	473473	10X5525	MINNM	450494
10A14894	MINNM	415379	10A22092	WHITE	471272	10A7038	MINNM	417344	10X5525	MINNM	472164
10A14894	MINNM	455379	10A22308	MINNM	470954	10A7038	MINNM	455006	10X6898	MINNM	471413
10A15506	MINNM	417350	10A22308	WHITE	470954	10A7103	MINNM	471413	10X706	MINNM	450133
10A15506	MINNM	455479	10A22515	MINNM	473225	10A7121	MINNM	450083	11	BL-KN	417492
10A15507	MINNM	415995	10A22515	WHITE	473225	10A7121	MINNM	472924	11111492244	BMW	710894
10A15507	MINNM	455013	10A23926	MINNM	472012	10A73B	AAMCO	8935S	11142247663	BMW	710127
10A16	AAMCO	6712NA	10A23927	WHITE	472012	10A74B	AAMCO	7300S	11142249534	BMW	710127
10A16329	MINNM	350954	10A23R	AAMCO	342805	10A7541	MINNM	473227	11147512100	ROLLS	710786
10A16329	MINNM	470954	10A2411	MINNM	417316	10A7611	WHITE	470954	11147512101	ROLLS	710786
10A16329	WHITE	350954	10A2411	MINNM	455004	10A7611	WHITE	480954	11147583221	ROLLS	710471
10A16329	WHITE	470954	10A2411	WHITE	417316	10A811	MINNM	470354	11147647380	ROLLS	710786
10A16450	MINNM	471870	10A2490	MINNM	450519	10A8344	MINNM	55563	11217838071	BMW	231003
10A16450	MINNM	471883	10A2490	MINNM	471271	10A8468	MINNM	450400	11217838072	BMW	716484
10A17321	MINNM	415995V	10A24D	AAMCO	451147H	10A8486	MINNM	415991	110680	BAT	357PKG
10A17321	WHITE	415995V	10A25D	AAMCO	9613S	10A8L	AAMCO	471707N	11111485171	BMW	320348
10A17321	WHITE	455995N	10A26	AAMCO	472015	10A9471	MINNM	471870	11117511395	BMW	710785
10A17322	MINNM	417350	10A26114	MINNM	415379	10A9471	MINNM	471883	11117530823	BMW	710785
10A17322	MINNM	455479	10A26114	WHITE	415379	10A9789	MINNM	473211	11117547842	BMW	710785
10A17357	MINNM	415991	10A26D	AAMCO	470774	10B1444	FED	450066	11117584398	BMW	229005
10A17357	MINNM	455146	10A2730	MINNM	415984	10B1444	FED	473367	11117587168	BMW	229010
10A17817	MINNM	415379	10A2731	MINNM	45827S	10B1754	FED	480630	11140149405	BMW	710786
10A17817	WHITE	415379	10A28E	AAMCO	7751H	10CDK01094	WHITE	450400	11141252068	BMW	228009
10A18170	MINNM	416380	10A29294	WHITE	476470	10CDKL01094	WHITE	450400	11141254452	BMW	228009
10A18170	WHITE	416380	10A2G	AAMCO	472015	10P1772	MINNM	470954	11141255015	BMW	228009
10A18176	MINNM	415304	10A30A	AAMCO	331228H	10P2091	MINNM	411330N	11141265431	BMW	716484
10A18176	MINNM	476470	10A31033	WHITE	415088	10P2097	MINNM	353141	11141271415	BMW	222820
10A18176	WHITE	476470	10A3161	FED	450389	10P219	MINNM	240356	11141308342	BMW	224460
10A18678	MINNM	450067	10A3161	FED	472492	10P222	MINNM	6597S	11141435848	BMW	224460
10A18678	MINNM	473228	10A3196	FED	474278	10P228	MINNM	472234	11141710247	BMW	231003
10A18811	MINNM	450444	10A3196	FED	480356	10P2417	MINNM	473461	11141713730	BMW	231003
10A18811	MINNM	471835	10A31Q	AAMCO	6879H	10P2486	MINNM	475003N	11141736932	BMW	716484
10A18897	MINNM	471466	10A33A	AAMCO	474260	10P2930	WHITE	473016	11142249533	BMW	229005
10A18897	WHITE	471466	10A3417	MINNM	473463	10P3487	MINNM	415379	11147512100	BMW	710786
10A19477	MINNM	470954V	10A34Q	AAMCO	330663	10P35000	TIMKE	380001A	11147524312	BMW	710822
10A19477	WHITE	470954V	10A34Q	AAMCO	472354	10P3604	WHITE	450073	11147534192	BMW	710822
10A19720	MINNM	416664	10A36	AAMCO	9613S	10P362	MINNM	40382	11147558914	BMW	710822
10A19720	WHITE	416664	10A37P	AAMCO	471264	10S72	TLSMI	455576	11147583221	BMW	710471
10A20107	MINNM	416404	10A39F	AAMCO	6988H	10UK01094	WHITE	474276	11147613816	BMW	710471
10A20107	WHITE	416404	10A3G	AAMCO	9613S	10WA01094	WHITE	323138	11147647380	BMW	710786
10A20316	MINNM	471268N	10A43F	AAMCO	473473	10X10950	MINNM	471818	11147647381	BMW	710822

INTERCHANGE SECTION

COMPETITIVE INTERCHANGES

Mfr No.	Mfr.	National	Mfr No.	Mfr.	National	Mfr No.	Mfr.	National	Mfr No.	Mfr.	National
11147790960	BMW	223801	110171	DISOG	710034	11061	SKF	1037	11097R	IH	471141
11147790962	BMW	710676	110179H1	HOUGH	471570	11061LPD	JN-MN	415074	11098R	IH	450194
11147791449	BMW	231003	11017LUP	JN-MN	415483	11061LUP	JN-MN	415074	11098R	IH	473010
11147794168	BMW	710449	11018LPD	JN-MN	450301	110623R91	IH	340400	110998	GMC	455584
11317932	FAIRB	450084	11018LPD	JN-MN	472397	110631	US-EL	470045	110998	GOODM	455584
11317934	FAIRB	450441	11018LUP	JN-MN	450301	110631	US-EL	476838	110998	JEFF	455584
11317934	FAIRB	471341	11018LUP	JN-MN	472397	11064	CLARK	415064	110A04804	TROS	8705S
112F11512	MURRA	416664	1101VB7	MARI	415076	11065	C-R	240151	110E65	HWY	450085
112F11512	MURRA	455364	11020	KERSH	343099	11065	SKF	240151	110E65	HWY	470530
112F11564	MURRA	417316	110206	MICH	472826	11066	C-R	472560N	110E97	HWY	450067
110	UNIVE	450069	110206	UNIVE	472826	11066	C-R	50151S	110E97	HWY	473228
110	UNIVE	473232	110210	UNIVE	473421	11066	SKF	472560N	110E65	FWD	450301
110010	DISOG	710014	110211	MICH	473421	11066	SKF	50151S	110E65	FWD	472397
110014	DISOG	710023	110212	MICH	473211	11067	C-R	352560	110PKG	TIMKE	110PKG
110019	DISOG	710024	110212	UNIVE	473211	11067	C-R	50151S	110R	TIMKE	110PKG
110021	DISOG	710013	110225	MICH	473212	11067	SKF	352560	111	UNIVE	473236
110023	DISOG	710025	110225	UNIVE	473212	11067	SKF	50151S	111405641B	VW	1217
110037	DISOG	710027	110228	MICH	40769S	1106756	ALLCH	450352	111501315	VW	1012N
110047	DISOG	710028	110237	MICH	473213	1106756	ALLCH	472164	11100LPD	JN-MN	470059
110056	DISOG	710029	110237	UNIVE	473213	110716G	IH	415304	11100LPD	JN-MN	470380
110058	DISOG	710030	1102415	FORD	713771	110716G	IH	476470	11100LUP	JN-MN	470059
110D69	REO	370023A	1103	STEM	370021A	11074F	IH	470088	11100LUP	JN-MN	470380
1100	UNIVE	415482	1103	STEM	370121A	11074LPD	JN-MN	415995	111017	CUMMI	413469
11007180LUP	JN-MN	415482	110337	GRAM	453165	11074LPD	JN-MN	455013	111035	WOOL	450111
1100D615	REO	370036A	110337	GRAM	471619	11074LUP	JN-MN	415836	1110416	CHRYSLER	415449
1100D615	REO	370349A	110337	WILYS	453165	11074LUP	JN-MN	415995	11106LPD	JN-MN	416339
1100D624	REO	370023A	110337	WILYS	471619	11074LUP	JN-MN	455013	11106LPD	JN-MN	455031
1100007968	BUSHH	200881	110350	US-EL	473226	110752	AVCO	415449	11106LUP	JN-MN	416339
11001300	UNIVE	415482	11035LPD	JN-MN	417600	110752	AVCO	455147	11106LUP	JN-MN	455031
110021R91	IH	370001A	11035LUP	JN-MN	417600	110752	HERCU	415449	111082	HOUGH	470163
110021R91	IH	6638S	11040LPD	JN-MN	417205	110752	HERCU	455147	111082	HOUGH	471766
110021R91	NAVST	380001A	11040LUP	JN-MN	417205	110752B	HERCU	415449	111082H1	HOUGH	470163
110027	GRAM	471466	110432	HOUGH	470189	110752B	HERCU	455147	111082H1	HOUGH	471766
110028	GRAM	450095	110432	HOUGH	471692	1107704K3	IH	470380	111083	HOUGH	450194
110028	GRAM	473464	110432H1	HOUGH	471692	11079940	IH	472705	111083	HOUGH	473010
110029	DISOG	710026	110433	AVCO	412040	1108	TIMKE	1108	111083H1	HOUGH	450194
11003A	HERCU	40395	110460	CLARK	450867	1108	UNIVE	415076	111083H1	HOUGH	473010
11003A	HERCU	40395S	110460	CLARK	470898	11081	C-R	340151	111083H1	IH	450194
110042	DISOG	710038	110461	CLARK	416149	11081	SKF	340151	111083H1	IH	473010
11004LPD	JN-MN	456618	11050	C-R	340835	11081CM	SUL	455476	111084	HOUGH	415304
11004LUP	JN-MN	456618	11050	SKF	340835	11082	C-R	472560N	111084	HOUGH	476470
110051	C-R	415482	110516	GMC	415379	11082	SKF	472560N	111084H1	HOUGH	415304
110051	SKF	415482	110516	GMC	455379	11086	C-R	222820	111084H1	HOUGH	476470
1100575	FORD	710617	11053	CLARK	415027	11086	SKF	222820	111084H1	IH	415304
1100755	FMC	411253	11053	CLARK	455027	1108641	VICK	455858	111084H1	IH	476470
1100755	FMC	450099	110542	CLARK	412473	11086AS	HOUGH	473179	1110879C1	IH	415035V
110126154	MAZDA	224820	110542	CLARK	415894	11087AS	HERCU	6460S	1111	STEM	370003A
11010	WOODB	472015	11055	C-R	313842	11088A	HERCU	6460S	1111	STEM	370005A
110120	MICH	417020	11055	SKF	313842	110897	CLARK	415003	1111	STEM	370006A
110128	GRAM	41264S	110554	GRAM	471281	110897	CLARK	415458	1111	STEM	380003A
110130	MICH	415482	11055LPD	JN-MN	470354	110898	CLARK	470565	111105245	VW	226020
110148	WAUKE	417316	11055LUP	JN-MN	470354	110914	CLARK	417545	11111	C-R	3638
110148	WAUKE	455004	110569	GMC	415836	1109558C1	IH	415041	11111	SKF	3638
11014LPD	JN-MN	450313	110569	GMC	415995	11096	STEEL	450352	111146	HOUGH	5976S
11014LUP	JN-MN	450313	11060	C-R	340815	11096	STEEL	472164	111147	AM WH	471138
110157	DISOG	710041	11060	SKF	340815	110976	GMC	418028	111163	AM WH	417344
110158	WAUKE	450352	1106044	ALLCH	450593	110976	GMC	455137	111163	AM WH	455006
110158	WAUKE	472164	11060LPD	JN-MN	456890	110978	GMC	415137	11117511396	BMW	229005
11015LPD	JN-MN	470086	11060LUP	JN-MN	456890	110978	GMC	418028	11117530263	BMW	229005
11015LUP	JN-MN	470086	11061	C-R	1037	11097R	IH	450291	11117547841	BMW	229005

INTERCHANGE SECTION

COMPETITIVE INTERCHANGES



Mfr No.	Mfr.	National	Mfr No.	Mfr.	National	Mfr No.	Mfr.	National	Mfr No.	Mfr.	National
11117568263	BMW	710849	111383	HOUGH	471224	11156	WAYNE	473467	111721	CLARK	416921
11117568264	BMW	710850	111404	US-EL	413248	111576	CUMMI	473016	111726	CLARK	416125
111176	AM WH	415196	111405641A	VW	224045	1115860433	MERCE	1012N	111729	CUSH	470169
111178	HOUGH	471192	11140SS	JN-MN	416556	111592Y	AVCO	415458	111729	CUSH	473214
111178H1	HOUGH	471192	11140SS	JN-MN	472157	111592Y	AVCO	455003	11172LPD	JN-MN	470059
111179	HOUGH	470059	11141252069	BMW	223542	111592Y	HERCU	415458	11172LPD	JN-MN	470380
111179	HOUGH	470380	11141255010	BMW	710403	111592Y	HERCU	455003	11172LUP	JN-MN	470059
111179H1	HOUGH	470059	11141255012	BMW	229005	1115938	CHRYSL	450776	11172LUP	JN-MN	470380
111179H1	HOUGH	470380	11141255014	BMW	223542	11160	JNSON	415281N	11172TB	TRSCM	471692
111179H1	IH	470059	11141274346	BMW	716484	11161	C-R	204020	1117439	BMW	224250
111179H1	IH	470380	11141275161	BMW	229005	11161	C-R	204505	11174SS	JN-MN	40410S
111180	HOUGH	5976S	11141275466	BMW	716484	11161	SKF	204020	11174VB	TRSCM	204505
111193	AM WH	410694	11141278108	BMW	223542	11161	SKF	204505	111750	CLARK	412473
11119A	HERCU	455189	11141312007	BMW	224462	1116194	ALLCH	200354	111750	CLARK	415894
11119LPD	JN-MN	417356	11141706785	BMW	229005	111624	AVCO	413248	111756	CUSH	472658
11119LPD	JN-MN	455188	11141706999	BMW	229005	111624	HEIL	413248	111756	CUSH	473197
11119LUP	JN-MN	417356	11141709632	BMW	223542	11162SB	TRSCM	482208	111761	CLARK	471766
11119LUP	JN-MN	455188	11141713722	BMW	225530	11162TB	TRSCM	471652	11177LPD	JN-MN	456618
11120LPD	JN-MN	415043	11141715100	BMW	710403	11162VTB	TRSCM	471652V	11177LUP	JN-MN	456618
11120LUP	JN-MN	415043	11141715101	BMW	224250	11163	JNSON	410520	111784VHY	TRSCM	203020
111210	UNIVE	473435	11141725994	BMW	225530	11163	JNSON	471272	111784VHY	TRSCM	204020
111211	MICH	473435	11141SB	TRSCM	1037	111632	AVCO	471705	111785	CLARK	39302
111212	MICH	473436	11141VB	TRSCM	340815	111632	HERCU	471705	1117B	GOODM	471192
111212	UNIVE	473436	11142245364	BMW	229005	111633	CLARK	416154	11180	C-R	323133
11121LPD	JN-MN	417353	11142247117	BMW	716484	111637	EATON	5089	11180	SKF	323133
11121LUP	JN-MN	417353	11142247164	BMW	229005	11164	C-R	204020	111801	AM WH	415196
11122	C-R	3638	11142249532	BMW	716484	11164	SKF	204020	111802	AM WH	470027
11122	SKF	3638	11142VB	TRSCM	313842	111640	AM WH	411245	111802	AM WH	471554
11123	C-R	471652	11143	C-R	710285	111640	AM WH	455096	11182SB	TRSCM	470045
11123	C-R	482208	11143	SKF	710285	111646	CLARK	7937N	11182TB	TRSCM	470045
11123	EMRSN	471652	11143LPD	JN-MN	411245	11167	C-R	203020	11182TB	TRSCM	476838
11123	EMRSN	482208	11143LPD	JN-MN	455096	11167	SKF	203020	11183K	CASE	200354
11123	SKF	471652	11143LUP	JN-MN	411245	11167LPD	JN-MN	415001	11183SA	TRSCM	350974
11123	SKF	482208	11143LUP	JN-MN	455096	11167LPD	JN-MN	455001	111872TB	TRSCM	470236
111237	MICH	450054	111475	CLARK	8126S	11167LUP	JN-MN	415001	111872TB	TRSCM	470712
111237	UNIVE	450054	111477	CLARK	415013	11167LUP	JN-MN	455001	111872VSB	TRSCM	470712V
11124	C-R	471652	111477	CLARK	415995	11168D	CLARK	415437	111872VTB	TRSCM	470712V
11124	SKF	471652	111478	CLARK	416039	11168D	CLARK	455173	1118862010	TOYOT	710861
11124SS	JN-MN	340847	111479	US-EL	450040	11168E	CLARK	415437	1118B	GOODM	470169
11125SS	JN-MN	340849	111481	CLARK	416047	11168E	CLARK	455173	1118B	GOODM	473214
11126A	HERCU	417082	111481	CLARK	416332	111682SB	TRSCM	481213	1118D	GOODM	470169
1112945	FORD	711002	111482	CLARK	415379	11170	C-R	470045	1118D	GOODM	473214
1112Y	IH	5M289	11148LPD	JN-MN	417485	11170	C-R	476838	111908R91	IH	416865
11130	C-R	471652	11148LUP	JN-MN	417485	11170	SKF	470045	111908R91	IH	455070
11130	SKF	471652	111497	WAUKE	40140S	11170	SKF	476838	111909R91	IH	416865
111307	GMC	410496	11150	C-R	471692	111707R91	IH	450867	111909R91	IH	455070
11131VB	TRSCM	340835	11150	SKF	471692	111707R91	IH	470898	11191	C-R	476838
11133	C-R	471652V	111512K11	IH	472258	111708	CLARK	7700S	11191	SKF	476838
11133	SKF	471652V	111512K63	IH	416706	111708R91	IH	450867	11192SB	TRSCM	471747
1113300051	MERCE	1012N	111512G12	IH	471267	111708R91	IH	470898	1119321	ALLCH	415035
11134	C-R	471652V	111514	CLARK	3016	11171	C-R	470045	111936	GMC	415551
11134	SKF	471652V	11152	C-R	321417N	11171	C-R	476838	111936R91	IH	450121
11136	C-R	1989	11152	SKF	321417N	11171	SKF	470045	111936R91	IH	472409
11136	SKF	1989	11152SB	TRSCM	352560	11171	SKF	476838	111937	US-EL	415498
111368	CLARK	415035	11152SB	TRSCM	472560N	111710R1	IH	470954	11193LPD	JN-MN	471795
11137AS	HERCU	6460S	11152SB	TRSCM	50151S	111711R91	IH	412473	11193LUP	JN-MN	471795
11138	C-R	470189	11152VB	TRSCM	340151	111711R91	IH	415894	111940R91	IH	39302
11138	C-R	471692	11154	HU-WR	471141	111712R91	IH	416476	11194LPD	JN-MN	415142
11138	SKF	470189	1115480	ALLCH	450467	111719	CLARK	415263	11194LUP	JN-MN	415142
11138	SKF	471692	11156	WAYNE	450115	111720	CLARK	416271	111962	AVCO	417486

INTERCHANGE SECTION

COMPETITIVE INTERCHANGES

Mfr No.	Mfr.	National	Mfr No.	Mfr.	National	Mfr No.	Mfr.	National	Mfr No.	Mfr.	National
111962	HERCU	417486	11218H	DIA	6460S	1125266C1	IH	415035	113501315F	VW	1012N
111962B	HERCU	417486	112190	CLARK	417522	1125267C1	IH	450082	113501315G	VW	1012N
111965	CLARK	455079	112193	HOUGH	473227	1125267C1	IH	473238	113501315H	VW	1012N
11197	BU-SP	416888	112193H1	HOUGH	473227	1125268C1	IH	416888	1138432	CATER	39894
11197	BU-SP	455200	112210	UNIVE	472287	1125268C1	IH	455200	1138433	CATER	39893
11197	C-R	350974	112211	MICH	472287	112547	AM WH	470548	11302LPD	JN-MN	482253
11197	SKF	350974	112212	MICH	471192	112547	AM WH	470625	11302LUP	JN-MN	482253
11197LPD	JN-MN	415991	112212	UNIVE	471192	1125919	ALLCH	450819	1130703C2	IH	415072
11197LPD	JN-MN	455146	112212SL	MICH	471192	112596	AM WH	470045	11308LPD	JN-MN	417159
11197LUP	JN-MN	415991	112225	MICH	470169	112596	AM WH	476838	11308LUP	JN-MN	417159
11197LUP	JN-MN	455146	112225	MICH	473214	112597	JEFF	455024	113105245F	VW	227040
11198	BU-SP	472439	112225	UNIVE	470169	112600	GOODM	450185	113105245J	VW	227040
11198LPD	JN-MN	416047	112225	UNIVE	473214	112600	GOODM	473229	1131247	ALLCH	450362
11198LPD	JN-MN	416332	112225SLTI	MICH	6200	112603	OLIVE	470027	11312G	OSHKO	352541
11198LUP	JN-MN	416047	11223	C-R	470712	112603	OLIVE	471554	11312T2	DIA	370019A
11198LUP	JN-MN	416332	11223	SKF	470712	112615	BORGW	450291	1131305	FORD	710600
11199	BU-SP	471192	112237	MICH	473215	112615	BORGW	471141	113148	MINNM	455189
111PKG	TIMKE	111PKG	112237	UNIVE	473215	112622	CLARK	471344	113148	OLIVE	455189
111R	TIMKE	111PKG	11224	BU-SP	415007	112630K27	IH	470774	11316G	OSHKO	415088
112	UNIVE	450183	11224	C-R	470712	11265LPD	JN-MN	415074	11316SS	JN-MN	451583
112	UNIVE	472179	11224	C-R	470712V	11269	C-R	203003	11317	BU-SP	412473
1129970046	MERCE	710813	11224	SKF	470712	11269	SKF	203003	11317	BU-SP	415894
1129970146	MERCE	710813	11224	SKF	470712V	1126S	TIMKE	1126	11318	BU-SP	417351
1129970246	MERCE	710813	112243	UNIVE	470950	112717	AM WH	471466	11318	BU-SP	455154
1129970346	MERCE	710813	112243	UNIVE	6241S	112724H	IH	471686	11319	BU-SP	415379
1129970446	MERCE	710813	112244	MICH	470950	11272SS	JN-MN	340136	11319	BU-SP	455379
11200	C-R	350974	112244	MICH	6241S	11274	GEM	6703S	11327SS	JN-MN	351487
112018R91	IH	340120	112250	UNIVE	450444	112751	CLARK	472924	113286	OLIVE	470712
11202SB	TRSCM	471763	112250	UNIVE	471835	112752	CLARK	417252	1133051	FORD	710442
11202SB	TRSCM	471763V	11225A	HERCU	240119	112766	GOODM	471747	113341	OLIVE	455189
112034R91	IH	472439	112265	CLARK	472492	112766	GOODM	472674	11340	C-R	471763
112035	MINNM	450117	11226LPD	JN-MN	417538	1127699	CHRYS	472012	11340	SKF	471763
112035	MINNM	472572	11226LUP	JN-MN	417538	112775Y	AVCO	410312N	1134078J00	SUZUK	710855
112035	OLIVE	450117	112275	UNIVE	450463	112775Y	HERCU	410312N	1134078J00000	SUZUK	710855
112035	OLIVE	472572	112308	CLARK	100495	1127H	GEM	6703S	1134078J10	SUZUK	710855
11203TB	TRSCM	471763	112308	CLARK	415281N	112819	MINNM	471765	1134078J10000	SUZUK	710855
112043	MINNM	471570	11232	CHRYS	473243	112819	OLIVE	471765	1134078J20	SUZUK	710855
112051R91	IH	470163	1123241	CUMMI	473016	112820	MINNM	471765	1134078J20000	SUZUK	710855
112051R91	IH	471766	112332	CLARK	416362	11284	C-R	6832S	1134101	ALLCH	441130
112052R91	IH	470163	112341	OLIVE	415447	11284	FAWIC	415047	1134220	ALLCH	410102
112052R91	IH	471766	112347	OLIVE	415447	11284	SKF	6832S	113424	CLARK	416664
112055	CLARK	416070	112365	OLIVE	470059	112876R91	IH	370169A	113426	CLARK	415389
112056025	TROS	340850	112365	OLIVE	470380	112876R91	IH	415437	113426	KEN	415389
112062VB	TRSCM	471785	112367	OLIVE	470059	112876R91	IH	455173	11343	C-R	471763
112063SB	TRSCM	471785	112367	OLIVE	470380	1129	TIMKE	1129	11343	SKF	471763
11207	C-R	470712V	112403	OLIVE	470764	112945	C-W	471267	1134395	ALLCH	472439
11207	SKF	470712V	11240LPD	JN-MN	450095	112947	C-W	471529	11344	C-R	471763V
11208	C-R	470712V	11240LPD	JN-MN	473464	11298T2	DIA	472015	11344	SKF	471763V
11208	SKF	470712V	11240LUP	JN-MN	450095	11299	C-R	471747	113485	AM WH	411500
11209	C-R	470712	11240LUP	JN-MN	473464	11299	C-R	472674	113501315H	PORSC	1012N
11209	SKF	470712	11241LPD	JN-MN	473313	11299	SKF	471747	113517	O-M	474260
1120S	TIMKE	1120	11241LUP	JN-MN	473313	11299	SKF	472674	11352	C-R	472644
1121	TIMKE	710332	11242SB	TRSCM	473259	112PKG	TIMKE	112PKG	11352	SKF	472644
112101	US-EL	8160S	112432SL	TRSCM	470347	112R	TIMKE	112PKG	11353	C-R	472644
11213SB	TRSCM	481792	112458Y	AVCO	471763	113	UNIVE	473450	11353	JN SON	416921
112149	CLARK	471866	1124631	SOLAR	471466	113105245F	AUDI	227040	11353	SKF	472644
11215DB	TRSCM	472350	1124681C1	IH	417172	113301225	AUDI	711029	113550R91	IH	417538
11218	C-R	471281	1124E1	CLARK	450117	113301225	VW	711029	113551R91	IH	417538
11218	SKF	471281	1124E1	CLARK	472572	113501315	VW	1012N	113554R91	IH	471270
112185	O-M	473428	1124E2	CLARK	473464	113501315A	VW	224462	113558R91	IH	415449

INTERCHANGE SECTION

COMPETITIVE INTERCHANGES



Mfr No.	Mfr. National	Mfr No.	Mfr. National	Mfr No.	Mfr. National	Mfr No.	Mfr. National
113558R91	IH 455147	11409	KINNR 473428	114399	JEFF 470219	11514	C-R 471707
113569R91	IH 456105	114091	FWD 370048A	114399	JEFF 471649	11514	C-R 471707N
113585R91	IH 415449	114091	FWD 370182A	114407	WHITE 5872S	11514	SKF 471707
113585R91	IH 455147	114091	FWD 380048A	11441255010	BMW 224252	11514	SKF 471707N
11364	NEWPR 481181	11410	C-R 450430	1144500	HYST 40520S	11514LPD	JN-MN 471827
11364	NEWPR 481181N	11410	SKF 450430	11448A	HERCU 455189	11514LUP	JN-MN 471827
11366	BU-SP 470163	114102Y	AVCO 450082	1145022	BENDI 481568	11515LPD	JN-MN 473471
11366	BU-SP 471766	114102Y	AVCO 473238	1145028	ALLCH 450069	11515LUP	JN-MN 473471
11366	C-R 471785	114109	MINNM 450185	1145028	ALLCH 473232	115162TB	TRSCM 474260
11366	SKF 471785	114109	MINNM 473229	114533	HOUGH 411253	115172TB	TRSCM 471707
11368LUP	JN-MN 416156	114109	OLIVE 450185	114533	HOUGH 450099	11518	C-R 474260
1137	GRAY 470219	114109	OLIVE 473229	11453LPD	JN-MN 412119	11518	SKF 474260
1137	GRAY 471649	11411265431	BMW 716484	11453LPD	JN-MN 450101	115182SB	TRSCM 471736
11370	CASE 471763	11413	GWJ 450067	11453LUP	JN-MN 412119	11518LPD	JN-MN 473237
11370	CLARK 471763	11413	GWJ 473228	11453LUP	JN-MN 450101	11518LUP	JN-MN 473237
11372	C-R 481792	114134Y	AVCO 450143	11459	CHRY5 473010	115200	MIX 470163
11372	SKF 481792	114135	MICH 415076	114631	SPICE 470064	115200	MIX 471766
1137411C1	IH 470354	114136Y	AVCO 471192	114631	SPICE 471821	115201	MIX 470548
113763	OLIVE 450444	114136Y	HERCU 471192	114632	SPICE 471763	115201	MIX 470625
113763	OLIVE 471835	11414	GWJ 471820	114636	GMC 470120	115202TB	TRSCM 450161
11378	C-R 450604	11415	GWJ 450067	114636	GMC 471224	115202TB	TRSCM 471764
11378	SKF 450604	11415	GWJ 473228	11467	GAL 471255	11521	C-R 450482
11379	ACF 415150	11417	C-R 3638	1146S	TIMKE 1146	11521	SKF 450482
1138281	CHRY5 240356	11417	SKF 3638	1147	TIMKE 1147	115210	MIX 471869
1138282	CHRY5 240151	114184	CLARK 416422	11471K	CASE 417343	115210	MIX 473459
113848	GMC 416394	11420	KINNR 471281	114771R91	IH 417484N	115211	MIX 471870
113866	EATON 100263	1142056	CHRY5 471267	114771R91	IH 455322	115211	MIX 471883
113875	CLARK 417283	11420SS	JN-MN 417484N	114774	HOUGH 415458	115214	MIX 450316
1138A78J00	SUZUK 710674	11420SS	JN-MN 455322	114774	HOUGH 455003	115214	MIX 472636
1138A78J00000	SUZUK 710674	114210	CLARK 415351	11480	KINNR 471538	115223	MIX 416654
1138A78J01	SUZUK 710674	11422	C-R 710460	1149	GARLK 450094	115223	MIX 455012
1138A78J01000	SUZUK 710674	11422	SKF 710460	1149	GARLK 473462	115224	MIX 415995
11391	C-R 450332	114225	MICH 473016	114914	ALLCH 417267	115224	MIX 455013
11391	SKF 450332	114225	UNIVE 473016	114941	US-EL 327303	115227	MIX 415142
11392	C-R 472681	114228	FWD 370003A	11497LPD	JN-MN 455018	115229	MIX 471765
11392	C-R 473259	114228	FWD 380003A	11497LPD	JN-MN 476470	11522LPD	JN-MN 410308
11392	SKF 472681	114229	FWD 370003A	11497LUP	JN-MN 455018	11522LPD	JN-MN 450308
11392	SKF 473259	114229	FWD 380003A	11497LUP	JN-MN 476470	11522LUP	JN-MN 410308
113970R91	IH 473473	1142360	FORD 710849	11498LPD	JN-MN 482253	11522LUP	JN-MN 450308
113971R91	IH 471413	114237	MICH 473225	11498LUP	JN-MN 482253	115232	MIX 450301
1139896	CHRY5 450776	114237	UNIVE 473225	11499LPD	JN-MN 50266	115232	MIX 472397
1139897	CHRY5 471862	11424	KINNR 471647	11499LUP	JN-MN 50266	115235	MIX 412473
1139898	CHRY5 470950	114243	UNIVE 470062	114PKG	TIMKE 114PKG	115235	MIX 415894
1139898	CHRY5 6241S	114243	UNIVE 474264	114R	TIMKE 114PKG	115237	MICH 473438
1139899	CHRY5 470062	114244	MICH 470062	115	UNIVE 472394	115237	UNIVE 473438
1139899	CHRY5 474264	114244	MICH 474264	1154120	CATER 39881	11524	C-R 471736
1139900	CHRY5 471316	114250	UNIVE 473226	1150	GARLK 450472	11524	SKF 471736
113E4	HWY 417316	11427LPD	JN-MN 480630	115010509LUP	JN-MN 415076	115240	MIX 415303
113E4	HWY 455004	11427LUP	JN-MN 480630	115015072STLUP	JN-MN 415076	115242	MIX 455195
113E36	HWY 471801	11429	C-R 320595	115018708LPD	JN-MN 415077	115242	MIX 472157
113PKG	TIMKE 113PKG	11429	SKF 320595	11509019LUP	JN-MN 415077	115243	UNIVE 473439
113R	TIMKE 113PKG	11430	CASE 450444	11500LPD	JN-MN 415035	115244	MICH 473439
114	UNIVE 473238	11430	CASE 471835	11500LPD	JN-MN 415953	115251	MIX 415483
11405	C-R 472954	11431	CASE 450025	11500LUP	JN-MN 415035	115251	MIX 455368
11405	SKF 472954	11431	CASE 471553	11500LUP	JN-MN 415953	115252	MIX 416664
11407	C-R 710504	11432	KINNR 473215	115041	C-R 415076	115252	MIX 455364
11407	NEWPR 482163	114378	HERCU 471795	115041	SKF 415076	115254	MIX 473460
11407	NEWPR 482163N	114378Y	AVCO 471795	11507	CHRY5 413470	115256	MIX 450115
11407	SKF 710504	114399	GOODM 470219	11508	BR-WN 470120	115256	MIX 473467
114074	WHELA 471765	114399	GOODM 471649	11508	BR-WN 471224	115259	MIX 416273

INTERCHANGE SECTION

COMPETITIVE INTERCHANGES

Mfr No.	Mfr.	National	Mfr No.	Mfr.	National	Mfr No.	Mfr.	National	Mfr No.	Mfr.	National
115270	MIX	416865	11558LPD	JN-MN	455005	11605	SKF	1129	1162682	ALLCH	472572
115270	MIX	455070	11558LUP	JN-MN	455005	116050	CLARK	450519	1162682	FUNK	472572
115272	MIX	327303	11561	US-EL	450183	116050	CLARK	471271	1162717	ALLCH	416154
115273	MIX	417474	11561	US-EL	472179	11605003	TROS	470601	1162717	FUNK	416154
115277	MIX	417488	11564LPD	JN-MN	481163	11605005	TROS	470601	116275	MICH	473440
115280	MIX	417495	11564LUP	JN-MN	481163	11605006	TROS	470601	116275	UNIVE	473440
115282	MIX	416865	11566	C-R	450362	11605203	TROS	471539	116276	MICH	470077
115283	MIX	450326	11566	SKF	450362	11605204	TROS	471539	116276	MICH	474281
115291	MIX	415991	115687H	IH	450365	11605205	TROS	471539	116299	UNIVE	450326
115291	MIX	455146	115687H	IH	470898	11605603	TROS	340483	1163	AT-PL	471787
115292	MIX	415035	11568LPD	JN-MN	472287	11605604	TROS	340483	116311	CLARK	471341
115292	MIX	455035	11568LUP	JN-MN	472287	11608	C-R	223010	11632	C-R	223020
115293	MIX	415281N	11569LPD	JN-MN	450621	11608	SKF	223010	11632	SKF	223020
115294	MIX	455144	11569LUP	JN-MN	450621	11610002	TROS	240731	116324R91	IH	450365
1153	GARLK	473241	11577LPD	JN-MN	416239	11611	C-R	223010	116324R91	IH	470898
115322	MIX	410520	11577LUP	JN-MN	416239	11611	SKF	223010	116352R91	IH	450025
115322	MIX	471272	11580	C-R	223012	11612	C-R	223012	116352R91	IH	471553
115328	MIX	417362	11580	SKF	223012	11614	C-R	223012	116353R91	IH	417344
11533	WOODB	410520	115806H	IH	471801	11614	SKF	223012	116353R91	IH	455006
11533	WOODB	471272	11583SS	JN-MN	340356	11615	C-R	1981	116359	HOUGH	5976S
115330	MIX	55078S	11585	C-R	472475	11615	SKF	1981	116359H1	IH	340483
1153300051	MERCE	1012N	11585	SKF	472475	11616	C-R	223012	11635LPD	JN-MN	417356
115332	MIX	450519	115885	OLIVE	455121	11616	SKF	223012	11635LPD	JN-MN	455188
115332	MIX	471271	115887	OLIVE	470764	11617	C-R	223014	11635LUP	JN-MN	417356
115333	MIX	473450	11589	C-R	223014	11617	SKF	223014	11635LUP	JN-MN	455188
115334	MIX	472560N	11589	SKF	223014	11619	C-R	2016	11636	C-R	223050
115334	MIX	50151S	11592	C-R	1981	11619	SKF	2016	11636	SKF	223050
11535LPD	JN-MN	473460	11592	SKF	1981	1162	GARLK	450474	1164	AT-PL	450352
11535LUP	JN-MN	473460	115950	SPERY	204035	11620	C-R	223018	1164	AT-PL	472164
1154	GARLK	473241	115950	VICK	205035	11620	SKF	223018	11640	C-R	223035
1154109	CATER	39881	11598935	CONTI	473237	11622	C-R	1981	11640	SKF	223035
11544	C-R	450161	11599K	CASE	340927	11622	SKF	1981	11643LPD	JN-MN	417516
11544	C-R	471764	115A980AAP21	GE	471554	116225	UNIVE	470548	11643LUP	JN-MN	417516
11544	SKF	450161	115A980AB1	GE	472185	116225	UNIVE	470625	116456H	IH	417316
11544	SKF	471764	115A980AD3	GE	481073	11623	C-R	223020	11654LPD	JN-MN	481163
11545	C-R	450161	115A980AD9	GE	470027	11623	SKF	223020	11654LUP	JN-MN	481163
11545	C-R	471764	115A980AD9	GE	471554	116237	MICH	470059	11655	C-R	3907
11545	SKF	450161	115PKG	TIMKE	115PKG	116237	MICH	470380	11655	SKF	3907
11545	SKF	471764	115R	TIMKE	115PKG	116237	UNIVE	470059	116550117601	ALFAR	223520
115456H	IH	415004	11600	C-R	1129	116237	UNIVE	470380	116557	AM WH	471354
115456H	IH	417316	11600	C-R	223005	116237SL	MICH	470059	116596	HOUGH	471224
11551LPD	JN-MN	450389	11600	SKF	1129	116237SL	MICH	470380	116596H	HOUGH	471224
11551LPD	JN-MN	472492	11600	SKF	223005	116243	UNIVE	471820	116596H1	HOUGH	471224
11551LUP	JN-MN	450389	11601724	CHRY	471564	116244	MICH	471820	116596H1	IH	471224
11551LUP	JN-MN	472492	11602	C-R	223005	11625	C-R	223020	11660LPD	JN-MN	412040
11552LPD	JN-MN	55301S	11602	SKF	223005	11625	SKF	223020	11660LUP	JN-MN	412040
11552LUP	JN-MN	55301S	1160303	FUNK	470954	116250	MICH	450067	11662	SKF	223050
11553	C-R	451182	11603204	TROS	471472	116250	MICH	473228	116646	CLARK	7937N
11553	SKF	451182	116038	US-EL	417350	116250	UNIVE	450067	116652	OLIVE	410312N
11553	WOODB	471272	11603805	TROS	473405	116250	UNIVE	473228	11669	C-R	223010
115551	OLIVE	470059	11604004	TROS	471264	116256	UNIVE	410190	11669	SKF	223010
115551	OLIVE	470380	11604204	TROS	340469	1162565	ALLCH	473010	1166965	CONTI	473236
11557	C-R	473427	11604404	TROS	471538	11626	C-R	223020	116698	WILYS	340413
11557LPD	JN-MN	417354	11604606	TROS	470506	11626	SKF	223020	11669LPD	JN-MN	455191
11557LUP	JN-MN	417354	11604803	TROS	350954	116265	HOUGH	450316	11669LUP	JN-MN	455191
1155860333	MERCE	1012N	11604803	TROS	470954	116265	HOUGH	472636	11671	C-R	223018
1155860635	MERCE	1174	11604804	TROS	470954	116265H1	HOUGH	450316	11671	SKF	223018
1155860735	MERCE	1174	11604805	TROS	470954	116265H1	HOUGH	472636	11672	C-R	710460
1155860835	MERCE	1174	116049	CLARK	416229	116265H1	IH	450316	11672	SKF	710460
1155861135	MERCE	1174	11605	C-R	1129	116265H1	IH	472636	116736	AM WH	472394

INTERCHANGE SECTION

COMPETITIVE INTERCHANGES



Mfr No.	Mfr. National	Mfr No.	Mfr. National	Mfr No.	Mfr. National	Mfr No.	Mfr. National
116757	ALLCH 415458	1172S	TIMKE 1172	11777	C-R 473426	11814	BL-KN 410190
116757	ALLCH 455003	1173	TIMKE 1173	11777	SKF 473426	11815	BL-KN 450154
116757	WAUKE 415458	11730	C-R 470328	11778	C-R 4813V	11815	BL-KN 473234
116757	WAUKE 455003	11730	C-R 481213	11778	SKF 4813V	11815	JN-SON 415437
1167S	TIMKE 1167	11730	SKF 470328	1178	NATL 224015	11815	JN-SON 455173
116811	HOUGH 412871	11730	SKF 481213	11780LPD	JN-MN 417158	11816	BL-KN 450083
116811	HOUGH 450329	1173052	GMC 5589	11780LPD	JN-MN 455355	11816	BL-KN 472924
116811H1	HOUGH 412871	11731	HWY 410102	11780LUP	JN-MN 417158	118162SB	TRSCM 481213
116811H1	HOUGH 450329	11732	EMRSN 473237	11780LUP	JN-MN 455355	118162VC	TRSCM 340817
11682694	CONTI 7399S	11733	C-R 9487	11782	C-R 40576S	118163	BL-KN 416024
116827	BRCWY 450076	11733	SKF 9487	11782	SKF 40576S	118167	BL-KN 415304
116827	BRCWY 470334	11734	C-R 473203	117829A	OSHKO 416297	118167	BL-KN 476470
11685LPD	JN-MN 417171	11734	SKF 473203	11783A	HERCU 6460S	118168	CLARK 417344
11685LUP	JN-MN 417171	117362R91	IH 476283N	11789LPD	JN-MN 415349	118169	BL-KN 416294
116867	WAUKE 471192	117380	WAUKE 450519	11789LUP	JN-MN 415349	11817	BL-KN 415995
1169	NATL 3771	117380	WAUKE 471271	1178H	OSHKO 415960	11817	BL-KN 455013
11690	C-R 3907	11739LPD	JN-MN 415142	1178H	OSHKO 455009	118170	BL-KN J1123
11690	SKF 3907	11739LUP	JN-MN 415142	1179	NATL 224045	118172SB	TRSCM 473203
116905	FPDSL 39869	11740	C-R 473425	11790LPD	JN-MN 417511	118172TLH	TRSCM 473203
11693LPD	JN-MN 415867	11740	SKF 473425	11790LUP	JN-MN 417511	118173	CLARK 470898
11693LUP	JN-MN 415867	11744	FULLE 415027	117933	CLARK 415303	1181788	GMC 451147H
116960	WAUKE 450415	11744	FULLE 455027	1179RC	SUL 471750	118183SB	TRSCM 473425
11696LPD	JN-MN 412943	1174S	TIMKE 1174	117A4	WHITE 450115	11819	BL-KN 471787
11696LUP	JN-MN 412943	1175144	FMC 471267	117A4	WHITE 473467	118192TB	TRSCM 473426
1169970246	MERCE 710290	117565	HOUGH 415995	117D6	WHITE 370036A	1182	WMG 224270
1169970346	MERCE 710290	117565	HOUGH 455013	117D6	WHITE 370349A	118202SB	TRSCM 471765
116A05603	TROS 7840S	117565H1	HOUGH 415995	117D6	WHITE 380036A	118202TB	TRSCM 470162
116PKG	TIMKE 116PKG	117565H1	HOUGH 455013	117PKG	TIMKE 117PKG	118202TB	TRSCM 471765
116R	TIMKE 116PKG	117567	HOUGH 417316	117R	TIMKE 117PKG	1182062TB	TRSCM 471354
116T5	WHITE 470064	117567H1	HOUGH 415004	1185352	FMC 481397	1182111	GMC 451147H
116T5	WHITE 471821	117567H1	HOUGH 417316	11800	C-R 471765	118212SB	TRSCM 473205
117289E91	IH 370001A	117568	HOUGH 412119	11800	SKF 471765	118225	HOUGH 471267
117D6	REO 370349A	117568	HOUGH 450101	11801	C-R 471765	11822SS	JN-MN 473237
11700	C-R 483488	117598	CLARK 203008	11801	JN-SON J1124	11823	C-R 223010
11700	SKF 483488	11760	BU-SP 455186	11801	SKF 471765	11823	SKF 223010
1170107	GMC 5589	117604	CLARK 473464	118023	HOUGH 417344	118237	UNIVE 472299
11702	C-R 710065	11763	C-R 472475	11804	C-R 223014	1182385	GMC 470605
11702	SKF 710065	11763	SKF 472475	11804	SKF 223014	118242SB	TRSCM 474256
11705	NEWPR 2506	11764	C-R 472475	118049	HOUGH 39302	118243	UNIVE 470064
11706	NEWPR 2465	11764	SKF 472475	11804LPD	JN-MN 415066	118243	UNIVE 471821
117078	GMC 415449	117643	HOUGH 410085	11804LUP	JN-MN 415066	118244	MICH 470064
117078	GMC 455147	117643	HOUGH 470530	11806	C-R 471765	118244	MICH 471821
11708	C-R 223010	117643H1	HOUGH 470530	11806	SKF 471765	118250	MICH 450185
11708	SKF 223010	117652	AM WH 415072	118068	CLARK 417344	118250	MICH 473229
117093	WILYS 340787	11769A	HERCU 471570	118086H1	IH 475012N	118250	UNIVE 450185
11709LPD	JN-MN 416892	1176S	TIMKE 1176	11809	C-R 223020	118250	UNIVE 473229
11709LUP	JN-MN 416892	1177	TIMKE 1177	11809	SKF 223020	118256	UNIVE 450143
1171	NATL 223542	11771	C-R 40576S	118095	CLARK 473215	118259	GMC 471763
11712	C-R 340817	11771	SKF 40576S	11809LPD	JN-MN 450523	118262	MICH 470682
11712	SKF 340817	1177176	FMC 417487	11809LUP	JN-MN 450523	118262	UNIVE 470682
117131H1	IH 470351	1177176	FMC 455014	1180R	MINNM 6590S	118275	MICH 473441
117225H1	HOUGH 415013	117720	WAUKE 470712	1180S	TIMKE 1180	118275	UNIVE 473441
117225H1	HOUGH 415995	1177242	FMC 411376	118103	HOUGH 470120	118276	MICH 450273
117235H1	IH 450444	1177242	FMC 455093	118103	HOUGH 471224	118276	WILYS 470954
117235H1	IH 471835	1177243	FMC 471747	118113	BL-KN 415009	118287	MICH 473442
117237ISL	MICH 452222	1177243	FMC 472674	118113	BL-KN 415960	118287	UNIVE 473442
11728	C-R 470328	11776	BU-SP 450115	118116	BL-KN 417082	1183	TIMKE 1183
11728	SKF 470328	11776	BU-SP 473467	118118	SIMPL 471224V	11830	BL-KN 473313
117289E91	NAVST 370001A	11776	C-R 473426	11812	BL-KN 473438	11830LUP	JN-MN 415086N
117289E91	NAVST 380001A	11776	SKF 473426	118126	BL-KN 416125	11830LUP	JN-MN 417487

INTERCHANGE SECTION

COMPETITIVE INTERCHANGES

Mfr No.	Mfr.	National	Mfr No.	Mfr.	National	Mfr No.	Mfr.	National	Mfr No.	Mfr.	National
11832	BL-KN	417487	11859	BL-KN	456105	1187720	FMC	473427	11911	C-R	472350
11832	BL-KN	455086	1185929	FMC	472258	1187721	FMC	450115	11911	SKF	472350
11832LPD	JN-MN	416153	1186	BL-KN	450352	1187721	FMC	473467	1191151	MOPAR	6863S
11832LUP	JN-MN	416153	1186	BL-KN	472164	1187722	FMC	450389	119132	GAL	416239
11833	BL-KN	450070	1186	COC	471870	1187722	FMC	472492	11914	C-R	470336
11833	BL-KN	472185	1186	COC	471883	1187723	FMC	470380	11914	C-R	474255
11833LPD	JN-MN	417079	1186	WMG	1979	11878	C-R	471354	11914	SKF	470336
11833LUP	JN-MN	417079	1186052	FMC	471224	11878	SKF	471354	11914	SKF	474255
11834SS	JN-MN	472560N	11863	BL-KN	416706	118795H1	HOUGH	410825	1191888	CHRY	410101N
11834SS	JN-MN	50151S	11863	BL-KN	455272	1187OS	JN-MN	473238	11919	C-R	4748N
11835	BL-KN	413469	11863	C-R	710711	11881LPD	JN-MN	470351	11919	SKF	4748N
11836	C-R	40162S	11863	SKF	710711	11881LPD	JN-MN	471504	1192109	CHRY	475380N
11836	SKF	40162S	11865	BL-KN	473236	11881LUP	JN-MN	470351	11921P	IH	417604
11837LPD	JN-MN	450389	11866	BL-KN	471762	11881LUP	JN-MN	471504	1192233	CHRY	476283N
11837LPD	JN-MN	472492	11867150	GMC	470027	118856	US-EL	450352	11923	C-R	470347
11837LUP	JN-MN	450389	11867150	GMC	471554	118856	US-EL	472164	11923	C-R	474254
11837LUP	JN-MN	472492	11868	BL-KN	415577	11885665	GMC	340771	11923	SKF	470347
1184	NATL	224520	1187	BL-KN	411253	118857	US-EL	470189	11923	SKF	474254
118424	CLARK	J1127	1187	BL-KN	450099	118857	US-EL	471692	11924	CHRY	473204
11844	BL-KN	450095	1187003	FMC	471570	118858	US-EL	471192	11924	NEWPR	473204
11844	BL-KN	473464	1187004	FMC	470120	1188S	TIMKE	1188	119243	UNIVE	450065
11845	BL-KN	415060	1187004	FMC	471224	1189	NATL	1960	119244	MICH	450065
11846	C-R	40576S	1187006	FMC	470189	1189011	GMC	470774	1192474	CHRY	417316
11846	SKF	40576S	1187006	FMC	471692	1189012	GMC	470774	11924LPD	JN-MN	471231
1184610000	BORGW	416154	1187009	FMC	473215	11892	AVCO	40568S	11924LUP	JN-MN	471231
118469	BORGW	415437	1187010	FMC	474276	11892	BL-KN	450185	119250	MICH	482253
1184690000	BORGW	415437	1187011	FMC	450066	11892	BL-KN	473229	119250	UNIVE	482253
11847	BL-KN	474274	1187011	FMC	473367	11893LPD	JN-MN	450339	1192615	CHRY	6597S
118481A1	CASE	370069A	1187012	FMC	450183	11893LUP	JN-MN	450339	119262	MICH	451469
118482A1	CASE	370121A	1187012	FMC	472179	11894LPD	JN-MN	416664	119262	UNIVE	451469
11848P	IH	412473	1187013	FMC	470077	11894LPD	JN-MN	455364	119276	MICH	450274
11848P	IH	415894	1187013	FMC	474281	11894LUP	JN-MN	416664	1192796	GMC	5591
1184RC	SUL	417486	1187014	FMC	473463	11894LUP	JN-MN	455364	1192796	WILYS	5591
1185	NATL	1012N	1187015	FMC	450343	1189686	DURA	450463	119288	CLARK	415076
1185	WMG	1012N	1187016	FMC	415082	11897	C-R	4738N	1193	ALOY	1949
1185071	BORGW	471763	1187017	FMC	415088	11897	SKF	4738N	11930	C-R	472432
1185071	FMC	471763	1187017	FMC	455088	1189726	CHRY	413469	11930	C-R	474256
11851	BL-KN	472015	1187020	FMC	474278	1189732	CHRY	450183	11930	SKF	472432
1185119	FMC	471801	1187020	FMC	480356	1189732	CHRY	472179	11930	SKF	474256
1185144	FMC	471267	11872	JN	416364	1189854	GMC	340724	1193133	GMC	5591
1185295	FMC	350414	1187241	FMC	450291	11899	C-R	710068	1193151	GMC	5591
1185295	FMC	472311	1187241	FMC	471141	11899	SKF	710068	119317	WAUKE	415442
1185296	FMC	470954	1187242	FMC	450083	118993H1	HOUGH	450084	11937	US-EL	415498
11854	BL-KN	410308	1187242	FMC	472924	118PKG	TIMKE	118PKG	1193752	CHRY	470712
11854	BL-KN	450308	1187243	FMC	450365	118R	TIMKE	118PKG	119393	GOODM	450593
1185485	FMC	471737	1187243	FMC	470898	1190	B-L-H	415090	119393	JEFF	450593
118559	BRCWY	412119	1187315	FMC	473437	1190	NATL	1955	119427	EATON	9773
118559	BRCWY	450101	11874	JN	J1138	1190	WMG	1955	119429	EATON	475012N
11855LDS	JN-MN	471424	1187421	FMC	470347	119000117600	ALFAR	716484	119430	EATON	415164N
1185629	FMC	471766	1187421	FMC	474254	119001727704	ALFAR	224250	119431	EATON	475003N
1185630	FMC	200338	1187447	FMC	205035	11904	C-R	5168	119432	EATON	712937
1185633	FMC	471633	1187521	FMC	471354	11904	CHRY	471870	119457	EATON	9773
1185642	FMC	471652	11875LPD	JN-MN	413246	11904	CHRY	471883	119458	EATON	722250
1185643	FMC	415984	11875LPD	JN-MN	413246N	11904	SKF	5168	1194581	GMC	7751H
1185687	FMC	471744	11875LUP	JN-MN	413246	119049	OLIVE	470059	119459	EATON	712625
1185734	FMC	471808	11875LUP	JN-MN	413246N	119049	OLIVE	470380	1194729	HYST	471141
1185735	FMC	471730	1187717	FMC	470045	119049	WHITE	470059	1194868	HYST	451082
1185769	FMC	473244	1187717	FMC	476838	119049	WHITE	470380	119487	HOUGH	416271
1185777	FMC	471737	1187718	FMC	417520	11907	C-R	473205	119487	US-EL	471076
1185882	FMC	471224	1187719	FMC	471750	11907	SKF	473205	119488	HYST	240698

INTERCHANGE SECTION

COMPETITIVE INTERCHANGES



Mfr No.	Mfr. National	Mfr No.	Mfr. National	Mfr No.	Mfr. National	Mfr No.	Mfr. National
119488	US-EL 472258	119666	CROSS 416891	11982LUP	JN-MN 471818	11A6240	FED 475380N
1194A	MASSE 470169	1196668	GMC 473228	1198434	HYST 416273	11A7033	FED 472164
1194A	MASSE 473214	119667	CROSS 415196	119865	US-EL 416380	11A7073	FED 472164
1194RC	SUL 417513	119668	CROSS 416888	1198816	HYST 471684	11A7226	FED 417159
1195013	CHRY5 471689	119668	CROSS 455200	1198816	HYST 471698	11A7227	FED 415137
1195133	CHRY5 474278	119669	CROSS 416158	1198RC	SUL 471765	11A7227	FED 418028
1195133	CHRY5 480356	119670	CROSS 417247	1199A1665	MERIX JV701	11A8151	FED 471192
119516H1	HOUGH 455336	119671	CROSS 416167	1199B1614	MERIX JV701	11A8221	FED 473473
1195497	GMC 473442	119671	CROSS 455091	1199B1666	MERIX 370006A	11A8285	FED 417487
119573	CLARK 416657	119672	CROSS 415725	1199E1669	MERIX JV753	11A8285	FED 455014
119575	CLARK 416657	119673	CROSS 415645	1199E2059	MERIX J1129	11A8318	FED 450194
1195878	HYST 482310	119673	CROSS 455104	1199E2527	MERIX J1134	11A8318	FED 473010
1195A15	IH 471835	119674	CROSS 417254	1199J2652	MERIX J1128	11A8344	FED 470059
1195A16	IH 450067	119675	CROSS 416666	1199J2652X	MERIX J1128	11A8344	FED 470380
1195A16	IH 473228	119676	CROSS 415072	11991	BU-SP 415023	11A8426	FED 415988
1195D1	WHITE 412027	119677	CROSS 455480	119951	GMC 417562	11A8486	FED 415960
1196	ALOY 1992	119678	CROSS 415294	119952	GMC 415645	11A8486	FED 455009
1196	TIMKE 1196	119678	CROSS 455294	119952	GMC 455104	11A8558	FED 417355
1196233	CHRY5 415697	119679	CROSS 417596	1199596	GMC 331301N	11A8600	FED 5751
1196233	CHRY5 455547	119680	CLARK 415958	1199777	GMC 7751H	11A8729	FED 473450
119640	CROSS 471760	119680	CLARK 455958	1199777MPM	GMC 7751H	11A8921	FED 415458
119641	CROSS 471763	119680	CROSS 417597	1199A1665	ROCKW JV701	11A8921	FED 455003
119642	CROSS 470163	119681	CROSS 415116	1199B1614	ROCKW JV701	11A8942	FED 470358
119642	CROSS 471766	119682	CROSS 415551	1199B1666	ROCKW 370006A	11A8942	FED 473231
119643	CROSS 472258	119683	CROSS 455406	1199E1669	ROCKW JV753	11A8975	FED 415960
119644	CROSS 481163	119684	CROSS 417600	1199E2059	ROCKW J1129	11A8975	FED 455009
119645	CROSS 474274	119685	CROSS 415124	1199E2527	ROCKW J1134	11A8982	FED 472144
119646	CROSS 450183	1196856	GMC 331301N	1199J2652	ROCKW J1128	11A8996	FED 450085
119646	CROSS 472179	1196857	GMC 331301N	1199J2652X	ROCKW J1128	11A8996	FED 470530
119647	CROSS 450117	119686	CROSS 417604	119B152	FED 473205	11A906	OSHKO 411253
119647	CROSS 472572	119687	CROSS 415128	119E70	HWY 415449	11A906	OSHKO 450099
119648	CROSS 450389	119688	CROSS 415090	119E70	HWY 455147	11A9083	FED 411500
119648	CROSS 472492	119689	CROSS 415219	119E9	HWY 410312N	11A9110	FED 470163
119649	CROSS 472015	11968SS	JN-MN 481644	119E70	FWD 415449	11A9110	FED 471766
119650	CROSS 410520	119690	CROSS 417606	119E70	FWD 455147	11A9210	FED 410316
119650	CROSS 471272	119692	CROSS 417020	119PKG	TIMKE 119PKG	11A9210	FED 472636
119651	CROSS 416271	119693	CROSS 353132	119R	TIMKE 119PKG	11A9248	FED 472394
119652	CROSS 415449	119695	CROSS 470120	119T5	WHITE 472144	11A9249	FED 410312N
119652	CROSS 455147	119695	CROSS 471224	11A110	BORGW 472164	11A9250	FED 472394
119653	CROSS 415483	119696	CROSS 470358	11A1166	FED 416153	11A9260	FED 410316
119653	CROSS 455368	119696	CROSS 473231	11A1208	FED 417344	11A9260	FED 472636
119654	CROSS 416664	119697	CROSS 474276	11A1208	GMC 417344	11A9327	FED 415147
119654	CROSS 455364	119698	CROSS 471195	11A1214	FED 417316	11A9327	FED 415449
119655	CROSS 417344	119698	CROSS 481195	11A1301	FED 471689	11A9419	FED 475012N
119655	CROSS 455006	119699	CROSS 450400	11A1369	FED 410496	11A9494	FED 475012N
1196555	GMC 7751H	1197	NATL 223240	11A1466	FED 6635S	11A9506	FED 415449
119656	CROSS 415281N	119700	CROSS 352541	11A2139	FED 410101N	11A9506	FED 455147
119657	CROSS 416288	119701	CROSS 412871	11A2398	FED 415023	11A9508	FED 450316
119658	CROSS 455018	119701	CROSS 450329	11A2399	FED 473447	11A9508	FED 472636
119658	CROSS 476470	11970SS	JN-MN 40410S	11A2520	FED 415001	11A9508	NAPCO 450316
119659	CROSS 416294	11976A	CONTI 411394	11A2520	FED 455001	11A9508	NAPCO 472636
119660	CROSS 415437	11976A	CONTI 450317	11A2568	FED 415001	11A9509	FED 415449
119660	CROSS 455173	11979	JOHND 471869	11A5167	FED 416288	11A9509	FED 455147
119661	CROSS 415937	11979	JOHND 473459	11A6070	FED 5408	11A9577	FED 475009N
119662	CROSS 415379	1198	ALOY 416273	11A6071	FED 410085	11A9655	FED 415041
119662	CROSS 455379	1198	BU-SP 472439	11A6071	FED 470530	11A9670	FED 410316
119663	CROSS 417210	11981	HUB-C 471744	11A6072	FED 410183N	11A9670	FED 472636
119664	CROSS 417356	11981LPD	JN-MN 416267	11A6109	FED 416738	11A9681	FED 410102
119664	CROSS 455188	11981LUP	JN-MN 416267	11A6109	FED 450096	11A9682	FED 450076
119665	CROSS 417511	11982LPD	JN-MN 471818	11A6205	FED 473203	11A9682	FED 470334

INTERCHANGE SECTION

COMPETITIVE INTERCHANGES

Mfr No.	Mfr.	National	Mfr No.	Mfr.	National	Mfr No.	Mfr.	National	Mfr No.	Mfr.	National
11A9767	FED	450066	12001483B	CORTE	227409	12011164	CORTE	224462	12013892B	CORTE	228480
11A9767	FED	473367	12001540	CORTE	227409	12011164B	CORTE	224462	12013894	CORTE	1208
11AE0210	WHITE	6638S	12001540B	CORTE	227409	12011438	CORTE	227040	12013894B	CORTE	1208
11B10141	NAPCO	55357	12002	HR-DV	471526	12011438B	CORTE	227040	12013896	CORTE	224252
11B2363	FED	416654	12003292	CORTE	711028	12011445	CORTE	222860	12013896B	CORTE	224252
11B2363	FED	455012	12003292B	CORTE	711028	12011445B	CORTE	222860	12013897	CORTE	355660H
11B7096	FED	473228	120060	C-R	417608	12011455	CORTE	224025	12013897B	CORTE	355660H
11B8381	FED	370036A	120060	SKF	417608	12011455B	CORTE	224025	12013898	CORTE	229005
11B8639	FED	472394	12006484	CORTE	100557	12011493	CORTE	223014	12013898B	CORTE	229005
11B8943	FED	411253	12006484B	CORTE	100557	12011493B	CORTE	223014	12013899	CORTE	229005
11B8943	FED	450099	12006LPD	JN-MN	470334	12011495	CORTE	223535	12013899B	CORTE	229005
11BE0210	WHITE	370048A	12006LUP	JN-MN	470334	12011495B	CORTE	223535	12013929	CORTE	225500
11BE0210	WHITE	370182A	12007	HR-DV	471443	12011504	CORTE	1999	12013929B	CORTE	225500
11BE0210	WHITE	380048A	12007	HR-DV	481443	12011504B	CORTE	1999	12013949	CORTE	713087
11BK126	MACK	415995	12007LPD	JN-MN	450066	12011539	CORTE	223035	12013949B	CORTE	713087
11BK126	MACK	455013	12007LPD	JN-MN	473367	12011539B	CORTE	223035	12014	C-R	710492
11BMT267	MACK	411253	12007LUP	JN-MN	450066	12011550	NOK	1953	12014	HR-DV	350156
11BMT267	MACK	450099	12007LUP	JN-MN	473367	12011691	CORTE	712008	12014	HR-DV	473096
11BMT340	MACK	417159	12009	ONAN	450269	12011691B	CORTE	712008	12014	SKF	710492
11BMT343	MACK	415137	12010	HERCU	410101N	12011839	CORTE	223010	12014402	CORTE	3772
11BMT343	MACK	418028	12010666	CORTE	223010	12011839B	CORTE	223010	12014402B	CORTE	3772
11BMT422	MACK	417344	12010666B	CORTE	223010	12012008	CORTE	9912	12014403	CORTE	223005
11C1677	FED	473215	12010669	CORTE	223520	12012008B	CORTE	9912	12014403B	CORTE	223005
11C4202	FED	410312N	12010669B	CORTE	223520	12012045	CORTE	716484	12014404	CORTE	3774
11CD0260	WHITE	370048A	12010673	CORTE	223005	12012045B	CORTE	716484	12014404B	CORTE	3774
11CD0260	WHITE	370182A	12010673B	CORTE	223005	12012129	CORTE	224235	12014494	CORTE	710613
11CD0260	WHITE	380048A	12010674	CORTE	223010	12012129B	CORTE	224235	12014494B	CORTE	710613
11CH0210	WHITE	370003A	12010674B	CORTE	223010	12012248	CORTE	710289	12014523	CORTE	710237
11CH0210	WHITE	380003A	12010684	CORTE	224052	12012248B	CORTE	710289	12014523B	CORTE	710237
11EHT271	MACK	410316	12010684B	CORTE	224052	12012249	CORTE	710288	12014827	CORTE	228010
11EHT271	MACK	472636	12010699	CORTE	710271	12012249B	CORTE	710288	12014827B	CORTE	228010
11EHT307	MACK	415147	12010699B	CORTE	710271	12012250	CORTE	224520	12014993	CORTE	710794
11EHT307	MACK	415449	12010739	CORTE	710618	12012250B	CORTE	224520	12014993B	CORTE	710794
11S38751	TIMKE	370023A	12010739B	CORTE	710618	12012347	CORTE	716102	12015256	CORTE	716102
11X15910A	JOHND	417563	12010773	CORTE	221207	12012347B	CORTE	716102	12015256B	CORTE	716102
11X15911A	JOHND	416380	12010773B	CORTE	221207	12012411	CORTE	223035	12015257	CORTE	716102
11X24631A	JOHND	417254	12010874	CORTE	222820	12012411B	CORTE	223035	12015257B	CORTE	716102
11X25647A	JOHND	416011	12010874B	CORTE	222820	12012579	CORTE	229005	12015283	CORTE	710197
11X25647A	JOHND	417621	12010895	CORTE	710681	12012579B	CORTE	229005	12015283B	CORTE	710197
12574668	SAAB	710551	12010895B	CORTE	710681	12012709	CORTE	3476	12015352	CORTE	228010
12581717	SAAB	710603	12010931	CORTE	224052	12012709B	CORTE	3476	12015352B	CORTE	228010
12585671	SAAB	100085	12010931B	CORTE	224052	12012761	CORTE	710934	12015546	CORTE	3393
12585673	SAAB	100470	12010946	CORTE	224252	12012761B	CORTE	710934	12015546B	CORTE	3393
12048027	FAIRB	450067	12010946B	CORTE	224252	12013416	CORTE	223540	12015555	CORTE	1188
12048027	FAIRB	473228	12010951	CORTE	224520	12013416B	CORTE	223540	12015555B	CORTE	1188
12100210	TW-CO	415995	12010951B	CORTE	224520	12013458	CORTE	710824	12015556	CORTE	224040
12100210	TW-CO	455013	12010966	CORTE	1209	12013458B	CORTE	710824	12015556B	CORTE	224040
1209970346	MERCE	710289	12010966B	CORTE	1209	12013459	CORTE	3771	12015674	CORTE	1172
1200	C-R	5460	12010969	CORTE	239146	12013459B	CORTE	3771	12015674B	CORTE	1172
1200	SKF	5460	12010969B	CORTE	239146	12013698	CORTE	710642	12015711	CORTE	710127
120012333LPD	JN-MN	417608	12011116	CORTE	222030	12013698B	CORTE	710642	12015711B	CORTE	710127
120014671STLPD	JN-MN	417608	12011116B	CORTE	222030	12013858	CORTE	710399	12015750	CORTE	222742
12003737LPD	JN-MN	417608	12011129	CORTE	222820	12013858B	CORTE	710399	12015750B	CORTE	222742
12006951LPD	JN-MN	417608	12011129B	CORTE	222820	12013859	CORTE	1172	12015779	CORTE	1955
12009030LUP	JN-MN	417608	12011131	CORTE	223005	12013859B	CORTE	1172	12015779B	CORTE	1955
12000444	CORTE	2027	12011131B	CORTE	223005	12013865	CORTE	225020	12015885	CORTE	711028
12000444B	CORTE	2027	12011153	CORTE	1962	12013865B	CORTE	225020	12015885B	CORTE	711028
12001192	CORTE	223020	12011153B	CORTE	1962	12013882	CORTE	228008	12015A	HR-DV	471733
12001192B	CORTE	223020	12011154	CORTE	1174	12013882B	CORTE	228008	12016	CLIMX	470045
12001483	CORTE	227409	12011154B	CORTE	1174	12013892	CORTE	228480	12016	CLIMX	476838

INTERCHANGE SECTION

COMPETITIVE INTERCHANGES



Mfr No.	Mfr.	National	Mfr No.	Mfr.	National	Mfr No.	Mfr.	National	Mfr No.	Mfr.	National
12016300	CORTE	714436	120325	UNIVE	450467	1207619	FORD	713087	121277	CLARK	476470
12016300B	CORTE	714436	12033A	HERCU	472439	12076LPD	JN-MN	470954	121305	CLARK	413247
120165H	IH	412871	12034A	HERCU	450389	12076LUP	JN-MN	470954	12131	C-R	450173
120165H	IH	450329	12034A	HERCU	472492	12078LPD	JN-MN	417596	12131	SKF	450173
12016928	CORTE	710651	12038LUP	JN-MN	471526	12078LUP	JN-MN	417596	1213305	CLARK	413247
12016928B	CORTE	710651	12043247	GMC	9845	1208	C-R	370005A	12133A	VICK	417600
12016985	CORTE	710215	1205B1250	MERIX	370025A	1208	SKF	370005A	121374R91	IH	471787
12016985B	CORTE	710215	1205B1250	MERIX	380025A	12089LPD	JN-MN	415938	12137A	HERCU	474278
120171	MINNM	350954	1205B1250	MERIX	386025A	12089LUP	JN-MN	415938	12137A	HERCU	480356
120171	MINNM	470954	1205B1250	ROCKW	370025A	1208RC	SUL	450025	12139	JNSON	416664
120171	OLIVE	350954	1205B1250	ROCKW	380025A	1208RC	SUL	471553	1213A027	MITSU	710620
120171	OLIVE	470954	1205B1250	ROCKW	386025A	1208S	TIMKE	1208	1213N	TIMKE	1213N
12017121	CORTE	710587	1205B2264	MERIX	370001A	12092	ONAN	470027	1214	C-R	370024A
12017121B	CORTE	710587	1205B2264	MERIX	380001A	12092	ONAN	471554	1214	SKF	370024A
12017124	CORTE	710803	1205B2264	ROCKW	370001A	120966	HOUGH	240735	1214072	BMW	1992
12017124B	CORTE	710803	1205B2264	ROCKW	380001A	12098A	CONTI	455194	12146	JNSON	415196
12017269	CORTE	1176	1205D1850	MERIX	370037A	1209N	TIMKE	1209	121477R91	IH	475380N
12017269B	CORTE	1176	1205D1850	MERIX	370338A	120A04805	TROS	480821	121482	CASE	412015V
12017270	CORTE	224520	1205E1851	MERIX	370036A	120A05604	TROS	340413	12149LPD	JN-MN	415124
12017270B	CORTE	224520	1205E1851	MERIX	370349A	120A100025	TROS	342517	12149LUP	JN-MN	415124
12017376	CORTE	710616	1205E1851	MERIX	380036A	120PKG	TIMKE	120PKG	1215	C-R	370003A
12017376B	CORTE	710616	1205L1260	MERIX	370065A	120R	TIMKE	120PKG	1215	C-R	380003A
12018	HR-DV	471760	1205L1260	MERIX	380065A	1210	WVG	224015	1215	SKF	370003A
12018360	CORTE	1962	1205M1469	MERIX	370037A	12100	MICH	471103	1215	SKF	380003A
12018360B	CORTE	1962	1205M1469	MERIX	370338A	12100	MICH	50197S	12150A	HERCU	471795
12018806	CORTE	710190	1205P1212	MERIX	370025A	12100	UNIVE	471103	12151VB	TRSCM	240736
12018806B	CORTE	710190	1205P1212	MERIX	380025A	12100	UNIVE	50197S	12151VB	TRSCM	343186
12019597	CORTE	710798	1205P1212	MERIX	386025A	1210076	TW-CO	413246	12152257	DE-AL	229005
12019597B	CORTE	710798	1205T774	MERIX	370120A	1210076	TW-CO	413246N	12156LPD	JN-MN	417504
1201K1	WHITE	323138	1205T774	ROCKW	370120A	121012	CLARK	7700S	12156LUP	JN-MN	417504
120243	UNIVE	450066	1205X752	MERIX	6954S	121017H1	HOUGH	470358	12158	JNSON	J1130
120243	UNIVE	473367	1205302	BMW	239146	121017H1	HOUGH	473231	1215960	FORD	710618
120244	MICH	450066	1205375	HOUGH	417316	12102953	BMW	473823	12159LPD	JN-MN	415937
120244	MICH	473367	1205D1850	ROCKW	370037A	12102954	BMW	473823	1216	ALOY	1012N
120250	MICH	450194	1205D1850	ROCKW	370338A	1211	C-R	5481	12160	CALI	415577
120250	MICH	473010	1205E1851	ROCKW	370036A	1211	SKF	5481	12161VB	TRSCM	240356
120250	UNIVE	450194	1205E1851	ROCKW	370349A	12110	JNSON	J1118	12161VB	TRSCM	340356
120250	UNIVE	473010	1205E1851	ROCKW	380036A	12110	O-M	J1118	12162SB	TRSCM	474278
12025770	CORTE	223220	1205L1260	ROCKW	370065A	12112130014	STERL	710329	12162SB	TRSCM	6859S
12025770B	CORTE	223220	1205L1260	ROCKW	380065A	12112130017	STERL	710329	12162VTB	TRSCM	473135V
12026	HR-DV	472164	1205M1469	ROCKW	370037A	12115LPD	JN-MN	415379	12163LPD	JN-MN	472012
120262	MICH	450069	1205M1469	ROCKW	370338A	12115LPD	JN-MN	455379	12163TB	TRSCM	480356
120262	MICH	473232	1205P1212	ROCKW	370025A	1211759	FORD	710600	12164SS	JN-MN	487945
120268	UNIVE	481864	1205P1212	ROCKW	380025A	121194VB	TRSCM	203016	12165	C-R	203025
120269	MICH	481864	1205P1212	ROCKW	386025A	1212	ALOY	1953	12165	SKF	203025
120275	MICH	474274	1205X752	ROCKW	6954S	12121	C-R	203016	121693	CLARK	472924
120275	UNIVE	474274	1206	ALOY	1196	12121	SKF	203016	1217	TIMKE	1217
120276	MICH	450275	1206	C-R	370024A	12122LPD	JN-MN	455194	12172TB	TRSCM	471413
120287	MICH	450078	1206	SKF	370024A	12122LUP	JN-MN	455194	12172TBY	TRSCM	7412S
120287	MICH	473444	12060LPD	JN-MN	415284	12123	C-R	450048	12172VHY	TRSCM	40140S
120287	UNIVE	450078	12060LUP	JN-MN	415284	12123	SKF	450048	12172VSB	TRSCM	471413V
120287	UNIVE	473444	120632H	IH	5MR71	12124	C-R	203025	12173TC	TRSCM	470140N
120299	UNIVE	450415	1206OS	JN-MN	450316	12124	SKF	203025	1218027	VOLVO	228009
120300	UNIVE	414268	1206OS	JN-MN	472636	12124LPD	JN-MN	473421	12180279	VOLVO	228009
120300	UNIVE	450539	1207	C-R	370019A	12124LUP	JN-MN	473421	1218072	FMC	471689
12030A	HERCU	450183	1207	SKF	370019A	121250	MICH	450260	12182390	VOLVO	1172
12030A	HERCU	472179	12070	JNSON	415984	121250	UNIVE	450260	12182TB	TRSCM	471737
12031A	HERCU	417488	120728	GMC	418028	121268	UNIVE	450073	12183539	VOLVO	228010
12032074	CORTE	222540	120728	GMC	455137	121269	MICH	450073	12183893	VOLVO	228010
12032074B	CORTE	222540	12075	BENDI	471442	121277	CLARK	415304	12184LUP	JN-MN	5115

INTERCHANGE SECTION

COMPETITIVE INTERCHANGES

Mfr No.	Mfr.	National	Mfr No.	Mfr.	National	Mfr No.	Mfr.	National	Mfr No.	Mfr.	National
12187	C-R	710516	122169	LETN	J1124	1225	C-R	380036A	122791N510	NISSA	228411
12187	SKF	710516	122169	WABCO	J1124	1225	SKF	370036A	1227921010	NISSA	228010
121896	KOEH	417509	122170	LETN	415437	1225	SKF	370349A	122792B500	NISSA	228009
1218B	GOODM	470548	122170	WABCO	415437	1225	SKF	380036A	122792B501	NISSA	228009
1218B	GOODM	470625	122177	LETN	471760	12250	C-R	710172	1227930P00	NISSA	228410
1219	C-R	370009A	122177	WABCO	471760	12250	SKF	710172	1227933P00	NISSA	228410
1219	C-R	380009A	122197	LETN	471554	12253	GEM	472560N	122793HC0A	NISSA	710621
1219	SKF	370009A	122197	WABCO	471554	12253	GEM	50151S	122793HC0B	NISSA	710621
1219	SKF	380009A	1222	C-R	370036A	12253LPD	JN-MN	416297	122793TA0A	NISSA	228411
1219114	FMC	473437	1222	C-R	370349A	12255R	OLIVE	415036	122793TS0A	NISSA	228411
12192VB	TRSCM	204507	1222	C-R	380036A	12256	JN SON	J1111	1227941B00	NISSA	228410
12192VH	TRSCM	204507	1222	SKF	370036A	12258	JN SON	416273	1227942L00	NISSA	228009
12194KB	TRSCM	8429S	1222	SKF	370349A	12259	DIVCO	410308	122794Z000	NISSA	228411
12194VB	TRSCM	203029	1222	SKF	380036A	12259	DIVCO	450308	122794Z001	NISSA	228411
12194VHY	TRSCM	204029	1222	UNIVE	455037	12259	HUGKE	410308	1227953J10	NISSA	228410
12195	CLAYN	470077	12220	C-R	710824	12259	HUGKE	450308	1227955Y00	NISSA	228411
12195	CLAYN	474281	12220	SKF	710824	1226	C-R	370036A	1227958500	NISSA	228009
121954SB	TRSCM	3199	122200	LETN	472185	1226	C-R	370349A	1227958S00	NISSA	228009
12196	CLAYN	473313	122200	WABCO	472185	1226	C-R	380036A	122795L300	NISSA	228013
121964VB	TRSCM	203012	122216A	OSHKO	455820	1226	CLARK	470064	122795L310	NISSA	228009
12196LUP	JN-MN	417365	1222309	WOOL	416011	1226	CLARK	471821	122796F90A	NISSA	710849
121972VB	TRSCM	441319	1222309	WOOL	417621	1226	SKF	370036A	122796N200	NISSA	228411
121974VB	TRSCM	203025	1222582Z00	SUZUK	228411	1226	SKF	370349A	122796N210	NISSA	228410
121982TB	TRSCM	471750	1222582Z02	SUZUK	228411	1226	SKF	380036A	1227975T00	NISSA	228009
121982TB	TRSCM	471750V	122250	MICH	450154	122606	CLARK	417364	1227977A05	NISSA	228410
121982VAY	TRSCM	470049	122250	MICH	473234	122607	CLARK	415551	1227977A06	NISSA	228410
121982VH	TRSCM	7781S	122250	UNIVE	450154	122664	CLARK	370020A	1227977A10	NISSA	228410
121PKG	TIMKE	121PKG	122250	UNIVE	473234	12267776	GMC	471652	1227985G00	NISSA	228009
121R	TIMKE	121PKG	122262	MICH	473235	12267800	GMC	471267V	1227985Y00	NISSA	228411
122	WGEAR	455480	122262	UNIVE	473235	122690	HOUGH	471869	122798ZV00	NISSA	228009
12202TB	TRSCM	470163	122268	UNIVE	470074	122690	HOUGH	473459	12279A4600	NISSA	228010
12202TB	TRSCM	471766	122268	UNIVE	474265	122690H1	HOUGH	471869	12279AD200	NISSA	228410
12202TB	TRSCM	471766V	122269	MICH	470074	122690H1	HOUGH	473459	12279AD205	NISSA	228410
12202VH	TRSCM	200338	122269	MICH	474265	1227B756	MERIX	614743	12279D0100	NISSA	228410
12202VH	TRSCM	40652S	12227	CLAYN	410312N	1227B756	ROCKW	614743	12279ED000	NISSA	710621
12204	WITTE	450030	1222785Z00	SUZUK	710237	1227C549	MERIX	614743	12279ET000	NISSA	710621
12204	WITTE	474253	122275	MICH	473236	1227C549	ROCKW	614743	12279H1000	NISSA	712006
122062TB	TRSCM	470244	122275	UNIVE	473236	1227K947	MERIX	614837	12279H2300	NISSA	712006
122062TB	TRSCM	471787	1222885Z00	SUZUK	224200	1227K947	ROCKW	614837	12279H2301	NISSA	712006
122062VH	TRSCM	41787S	122287	MICH	473446	1227P1160	FRUEH	614743	12279H2310	NISSA	712006
12209LUP	JN-MN	416102	122287	UNIVE	473446	1227T228	FRUEH	614743	12279H2311	NISSA	712006
1220B	GOODM	450067	1223	C-R	370036A	1227T540	FRUEH	614743	12279R4600	NISSA	228010
1220B	GOODM	473228	1223	C-R	370349A	12270LUP	JN-MN	416557	12279R4601	NISSA	228010
1220D	GOODM	450067	1223	C-R	380036A	1227377A05	NISSA	228410	12279R4610	NISSA	228010
1220D	GOODM	473228	1223	SKF	370036A	122740	CLARK	413248	12279R4611	NISSA	228010
1221	ALOY	1955	1223	SKF	370349A	12278B	HERCU	415196	12279T7200	NISSA	228009
1221	C-R	370036A	1223	SKF	380036A	1227901M00	NISSA	228009	12279T7201	NISSA	228009
1221	C-R	370349A	122306	MICH	470086	1227905U10	NISSA	228009	12279T7202	NISSA	228009
1221	C-R	380036A	122306	UNIVE	470086	122790M300	NISSA	228410	12279T7203	NISSA	228009
1221	SKF	370036A	122309	WOOL	417159	122790M310	NISSA	228411	12279V1700	NISSA	228009
1221	SKF	370349A	122318	UNIVE	450533	1227918000	NISSA	712006	1227921000	NISSA	228010
1221	SKF	380036A	12232F	IH	415001	1227918001	NISSA	712006	12283TB	TRSCM	470806
12210LPD	JN-MN	473422	12232F	IH	455001	1227918010	NISSA	712006	12294LPD	JN-MN	473440
12212	FUNK	415836	12233TB	TRSCM	471808	1227918V00	NISSA	228410	1229631U00	NISSA	710363
12212	FUNK	415995	12233TB	TRSCM	471818	122791E00	NISSA	228410	1229631U01	NISSA	710363
12212TB	TRSCM	470245	122411R91	IH	7600S	122791E000	NISSA	228411	1229631U10	NISSA	710363
12212TB	TRSCM	471795	12243	JN SON	415234	122791F700	NISSA	228411	1229631U11	NISSA	710363
12212VSB	TRSCM	482230N	12244SS	JN-MN	342613	122791HC0A	NISSA	710621	1229631U15	NISSA	710363
122134	CLARK	J1138	1225	C-R	370036A	122791LA0A	NISSA	228411	1229631U20	NISSA	710363
122135	CLARK	415938	1225	C-R	370349A	122791N500	NISSA	228411	12296JA10A	NISSA	710881

INTERCHANGE SECTION

COMPETITIVE INTERCHANGES



Mfr No.	Mfr. National	Mfr No.	Mfr. National	Mfr No.	Mfr. National	Mfr No.	Mfr. National
122D6	WHITE 55353	12303842	ACDEL 386025A	12304898	GMC 415991	12333LPD	JN-MN 417608
122G23137	GR-DV 455186	12303845	ACDEL 370031A	12304898	GMC 415991N	12334	C-R 340356
122G32137	GR-DV 455186	12303845	ACDEL 380031A	123048H1	IH 470403	12334	SKF 340356
122PKG	TIMKE 122PKG	12303846	ACDEL 370033A	123048H1	IH 470774	12335	C-R 473135V
122R	TIMKE 122PKG	12303853	ACDEL 370003A	12304975	GMC 8460N	12335	SKF 473135V
123	WGEAR 417254	12303853	ACDEL 380003A	12305064	GMC 8549S	1233500068	MERCE 1174
12301	C-R 710332	12303854	ACDEL 370065A	12305068	GMC 2043	12336	C-R 6859S
12301	SKF 710332	12303854	ACDEL 380065A	12305146	GMC 473228	12336	SKF 6859S
12302	GWI 415027	12303855	ACDEL 370106A	12305146	GMC 51098	12336358	GMC 710162
12302	GWI 455027	12303889	ACDEL 376590A	12305147	GMC 470331N	12336T2	DIA 450154
12302148	GMC 442874	12303892	ACDEL 370005A	12305151	GMC 410737	12336T2	DIA 473234
12302149	GMC 472394	12303893	ACDEL 370006A	12305152	GMC 340797	12337	C-R 473135V
12302150	GMC 482126	12303902	GMC 1209	12305156	GMC 410308	12337	SKF 473135V
12302151	GMC 4148	12303907	GMC 9406S	12305159	GMC 5202	1233756	VOLVO 224052
12302157	GMC 9128S	12303910	GMC 484058	12305161	GMC 5203	12337564	VOLVO 224052
12302159	GMC 412119	12303911	GMC 340356	12305166	GMC 450494	12337LUP	JN-MN 471281
12302159	GMC 472856	12303912	GMC 482253	12305166	GMC 472164	12338023	GMC 710101
12303044	GMC 7412S	12303932	ACDEL 3945	12305167	GMC 450519	12338F	DIA 450316
12303046	GMC 9613S	12303932	GMC 3945	12305167	GMC 471271	12338F	DIA 472636
12303049	GMC 472560N	12304126	GMC 8660S	12305173	GMC 2506	1234	WHITE 471643
12303049	GMC 50151S	12304127	WMG 9161	12305279	GMC 417355	12340	C-R 471413V
12303279	GMC 471271	12304134	GMC 415085	12305279	GMC 485497	12340	SKF 471413V
12303280	GMC 6815	12304134	GMC 456648	12305284	GMC 3604	123409	CLARK 416158
12303289	GMC 2146	12304152	GMC 9376	12305323	GMC 1180	12343	C-R 471413V
12303340	GMC 8935S	12304153	GMC 5072	12305328	GMC 2286	12343	SKF 471413V
12303342	GMC 6936S	12304155	GMC 417158	12305329	GMC 7687S	1234498	GMC 712146
12303387	GMC 473468	12304206	GMC 6960	12305330	GMC 6988H	1234705	BENDI 471442
12303465	GMC 7934S	12304208	GMC 8974S	12305331	GMC 7188S	1234727	BENDI 470120
12303469	GMC 8835S	12304209	GMC 8975S	12307	GWI 415832	1234727	BENDI 471224
12303470	GMC 40316S	12304210	GMC 8976S	1230781	FMC 471689	1234835	BENDI 6863S
12303471	WMG 51322	12304211	GMC 40769S	123111	ALLCH 415995	1234836	BENDI 471535
12303524	GMC 417487	12304213	GMC 9178S	123111	ALLCH 455013	123486	CLARK 471272
12303524	GMC 455086	12304224	GMC 2692	1232	ALOY 1174	1234885	BENDI 470954
12303585	GMC 44052	12304269	GMC 3087	12320	C-R 710101	1234896	BENDI 410496
12303587	GMC 44053	12304270	GMC 4250	12320	SKF 710101	1234899A	BENDI 471344
12303595	GMC 417480	12304273	GMC 6781	123208	CLARK 470543	12350	C-R 474278
12303595	GMC 455860	12304275	GMC 7381S	123208	CLARK 474272	12350	SKF 474278
12303596	GMC 415958	12304277	GMC 2081	12321118	GMC 471570	12355	C-R 471413
12303596	GMC 455958	12304280	GMC 2689S	123222SB	TRSCM 8293S	12355	C-R 7412S
12303603	GMC 9449	12304285	GMC 8792S	12325	C-R 251511	12355	SKF 471413
12303604	GMC 9845	12304286	GMC 9599S	12325	SKF 251511	12355	SKF 7412S
12303761	GMC 2146	12304289	GMC 5095	12326	EMRSN 471737	1235500	DRESS 471765
12303767	GMC 342805	12304290	GMC 5796	123262	MICH 450068	123550005	EL-MO 471765
12303771	GMC 240735	12304330	GMC 1955	123262	UNIVE 450068	12357LDS	JN-MN 415263
12303772	GMC 340151	12304512	GMC 8610	123270	HYST 415960	1235860035	MERCE 1174
12303833	ACDEL 370009A	12304515	GMC 411330N	12328	C-R 240736	1235A	CALI 412943
12303833	ACDEL 380003A	12304519	GMC 481181N	12328	SKF 240736	12360	C-R 712025
12303833	ACDEL 380009A	12304521	GMC 6712NA	123285	AM WH 417570	12360	SKF 712025
12303834	ACDEL 370012A	12304639	GMC 8429S	123287	MICH 50081	12361	C-R 40140S
12303835	ACDEL 370018A	12304644	GMC 40286	123287	UNIVE 50081	12361	GMC 40140S
12303836	ACDEL 370019A	12304646	GMC 471652	12329	C-R 251511	12361	SKF 40140S
12303837	ACDEL 370021A	12304646	GMC 482208	12329	SKF 251511	1236163	GMC 2689S
12303838	ACDEL 370001A	12304720	WMG 7412S	1232922	VOLVO 1176	1236164	GMC 2689S
12303838	ACDEL 380001A	12304725	GMC 7038SA	12329223	VOLVO 1176	1236165	GMC 2689S
12303840	ACDEL 370023A	12304882	GMC 417158	1233	ALOY 1183	12363	C-R 7412S
12303840	ACDEL 380023A	12304882	GMC 455355	12330	C-R 343186	12363	SKF 7412S
12303841	ACDEL 370024A	12304883	GMC 475003N	12330	SKF 343186	1236324	GMC 2043
12303842	ACDEL 370025A	12304890	GMC 415009	1233009	VOLVO 223830	12364	C-R 471413
12303842	ACDEL 380025A	12304890	GMC 415960	123315	CUMMI 416404	12364	SKF 471413
12303842	ACDEL 380131A	12304894	GMC 2655	12332J	DIA 410708	12364LPD	JN-MN 472020

INTERCHANGE SECTION

COMPETITIVE INTERCHANGES

Mfr No.	Mfr.	National	Mfr No.	Mfr.	National	Mfr No.	Mfr.	National	Mfr No.	Mfr.	National
12365LUP	JN-MN	417598	12405204	TROS	471231	12427	C-R	471750	124443	MIHLE	470625
12366LPD	JN-MN	417351	12405205	TROS	471231	12427	SKF	471750	12445	C-R	471766V
12367LPD	JN-MN	417543	124052065	TROS	471231	124275	MICH	450183	12445	SKF	471766V
12369	C-R	40140S	12405604	TROS	471267	124275	MICH	472179	12446	C-R	471766V
12369	SKF	40140S	12405605	TROS	471267	124275	UNIVE	450183	12446	SKF	471766V
12371	C-R	471413	124056065	TROS	471267	124275	UNIVE	472179	124464R91	IH	412871
12371	SKF	471413	12405608	TROS	471267	124276	MICH	473447	124464R91	IH	450329
12375	C-R	240949	12406004	TROS	340787	124278	MICH	470334	1245	C-R	5603
12375	SKF	240949	124065	CLARK	417555	124278	MICH	50289	1245	SKF	5603
12375801	GMC	6663S	12406LPD	JN-MN	471645	124278	UNIVE	470334	124536R91	IH	410308
123767	CLARK	345035	12407	C-R	204507	124278	UNIVE	50289	12456	C-R	471766
123779	CLARK	415389N	12407	SKF	204507	12428	C-R	471750	12456	SKF	471766
123805R91	IH	370020A	12407LPD	JN-MN	473238	12428	SKF	471750	12458	C-R	471766
123805R91	IH	415351	12409LPD	JN-MN	415697	124287	MICH	450291	12458	SKF	471766
12382733	GMC	223020	12409LPD	JN-MN	455547	124287	MICH	471141	124633R91	IH	470680
12383	C-R	471737	12409LUP	JN-MN	415697	124287	UNIVE	450291	124635	STUDE	5M89
12383	SKF	471737	12409LUP	JN-MN	455547	124287	UNIVE	471141	12471292	GMC	710497
12384	C-R	471737	1241	ALOY	224015	124299	UNIVE	473448	12471523	GMC	710474
12384	SKF	471737	12410003	TROS	252277	1243	C-R	100495	12471523	SAAB	710474
12384477	GMC	3946	12410802	TROS	340835	1243	C-R	5601	12471586	GMC	710491
123848	CLARK	370012A	12411	C-R	204029	1243	SKF	100495	12471586	SAAB	710491
12386	C-R	471737	12411	SKF	204029	1243	SKF	5601	12471590	GMC	710536
12386	SKF	471737	124163	GOODM	471137	124300	UNIVE	471984	12471591	GMC	710648
12386077	GMC	4638N	124163	JEFF	471137	124306	MICH	473313	12471592	GMC	710497
12387291	GMC	4525V	124164	GOODM	473215	124306	UNIVE	473313	12471614	GMC	710547
12388154	GMC	127591	124164	JEFF	473215	124318	UNIVE	470088	12471614	SAAB	710547
1238D	CALI	416008	124165	GOODM	450076	124319	MICH	470088	12471617	GMC	710688
1239	ALOY	1180	124165	GOODM	470334	12432	C-R	471750V	12471617	SAAB	710688
12396	C-R	3199	124165	JEFF	450076	12432	SKF	471750V	12471618	GMC	710687
12396	SKF	3199	124165	JEFF	470334	124325	CLARK	370078A	12471618	SAAB	710687
12398	C-R	203012	124166	GOODM	415960	124331	CLARK	J1138	12471680	GMC	710491
12398	SKF	203012	124166	GOODM	455009	124337ISL	MICH	210945	12471680	SAAB	710491
12399	C-R	203012	124166	JEFF	415960	1243396	GMC	6712NA	12471682	GMC	710648
12399	SKF	203012	124166	JEFF	455009	1243397	GMC	6712NA	12471683	GMC	710497
123G6399	GR-DV	470163	1241990	GMC	8835S	1243400	GMC	9613S	12471686	GMC	4762N
123G6399	GR-DV	471766	1241991	GMC	8660S	1243401	GMC	9613S	12471686	SAAB	4762N
123PKG	TIMKE	123PKG	1241A3	WHITE	415284	1243402	GMC	9613S	12473044	GMC	710597
123R	TIMKE	123PKG	1242	CALI	417604	1243465	GMC	2043	12474423	GMC	710664
1240037843	COLLS	450183	1242066	GMC	2043	1243467	GMC	2043	12474947	GMC	710495
1240037843	COLLS	472179	1242067	GMC	2043	1243658	CHRY	5401	12478060	GMC	714654
124025	CLARK	417283	1242068	GMC	2043	1243659	CHRY	5403	12478093	GMC	710771
124026	CLARK	JV1190	124234	CLARK	416047	12437	C-R	7781S	12479012	GMC	710648
12403605	TROS	471551	124234	CLARK	416332	12437	SKF	7781S	12479055	GMC	710491
124038065	TROS	455018	12423LUP	JN-MN	416039	12438	C-R	470049	12479055	SAAB	710491
124038065	TROS	476470	12425	C-R	7412S	12438	SKF	470049	12479155	GMC	710497
12404	C-R	203029	12425	SKF	7412S	124394	MIHLE	416891	12479196	GMC	710686
12404	SKF	203029	124250	MICH	450352	124395	MIHLE	416657	12479196	SAAB	710686
12404004	TROS	471255	124250	MICH	472164	1244	ALOY	1188	12479250	GMC	710548
12404006	TROS	471255	124250	UNIVE	450352	1244	ALOY	224820	12479267	GMC	710549
124040065	TROS	471255	124250	UNIVE	472164	1244	C-R	4561V	12479302	GMC	710686
12404205	TROS	481073	124256	UNIVE	450361	1244	C-R	5602	12479302	SAAB	710686
12404404	TROS	471553	124256	UNIVE	472193	1244	SKF	4561V	12480	C-R	200338
124044065	TROS	471553	124262	MICH	450070	1244	SKF	5602	12480	SKF	200338
12404804	TROS	471554	124262	MICH	472185	12441LPD	JN-MN	417567	12480L	IH	450593
124048085	TROS	471554	124268	SCAN	450076	12442	FUNK	415449	12481	C-R	40652S
12405004	TROS	471443	124268	SCAN	470334	124429	CLARK	3016	12481	SKF	40652S
12405004	TROS	481443	124268	UNIVE	450076	124430	CLARK	417545	12481LUP	JN-MN	416077
12405006	TROS	481443	124268	UNIVE	470334	124431	CLARK	416112	12489LUP	JN-MN	471270
124050065	TROS	481443	124269	MICH	450076	12444	CHAMP	471267	12494	C-R	223255
124050065NA	TROS	481443	124269	MICH	470334	124443	MIHLE	470548	12494	SKF	223255

INTERCHANGE SECTION

COMPETITIVE INTERCHANGES



Mfr No.	Mfr. National	Mfr No.	Mfr. National	Mfr No.	Mfr. National	Mfr No.	Mfr. National
12494LPD	JN-MN 415984	12531	C-R 471787V	125625	CLIMX 417254	12581	KINNR 471571
124973	CLARK 417602	12531	NAPCO 410496	125625	WAUKE 417254	12581253	GMC 710855
124PKG	TIMKE 124PKG	12531	SKF 471787V	12564LDS	JN-MN 471567	12581253	SAAB 710855
124R	TIMKE 124PKG	125318	UNIVE 450089	12565	C-R 471795	12581717	GMC 710603
125012	CUMMI 415003	125319	MICH 450089	12565	SKF 471795	12581789	GMC 710451
125012	CUMMI 415458	12532	NAPCO 471391	12565231	GMC 710602	12581907	GMC 710451
125012	OLIVE 415003	12533	LEECE 471255	12565949	GMC 710674	12582	C-R 42081S
125012	OLIVE 415458	12535	LEECE 450593	12565949	SAAB 710674	12582	SKF 42081S
125020	CLARK 417385	12536	C-R 450177	12565LDS	JN-MN 415991	12582313	GMC 710162
125020	MIHLE 455576	12536	SKF 450177	12565LDS	JN-MN 415991N	12582320	GMC 320691
12506	C-R 204029	12539	NAPCO 353141	125663	HYST 471419	12582356	GMC 710614
12506	GWJ 413247	1254	LEROI 473215	125663	HYST 473367	12584041	GMC 224200
12506	GWJ 450350	12540	NAPCO 416125	12568023	GMC 710604	12584042	GMC 710237
12506	SKF 204029	12541	JOHND 417316	12568025	GMC 710815	12585671	GMC 100085
12508	C-R 41787S	125412	BENDI 471466	12568124	GMC 710602	12585673	GMC 100470
12508	SKF 41787S	12544	LEROI 40027S	12568163	GMC 710602	12585989	GMC 710855
1251	ALOY 1213N	12544075	GMC 4813V	125689	HYST 417350	12587	C-R 710648
125101	NAPCO 472439	12545	C-R 470245	12569964	GMC 710645	12587	SKF 710648
125117	NAPCO 470898	12545	C-R 471795	12569965	GMC 710662	12587099	GMC 100085
12513	LEROI 470027	12545	GWJ 417316	12569986	GMC 710692	12587621	GMC 710552
12513	LEROI 471554	12545	GWJ 455004	12569986	SAAB 710692	125880	GMC 417262
125131	LEROI 470027	12545	SKF 470245	1257049	VOLVO 716102	125880	GMC 455448
125131	LEROI 471554	12545	SKF 471795	12570495	VOLVO 716102	1259	LEROI 450089
125133	LEROI 240319	12546240	GMC 370024A	125710	HYST 471554	12590	C-R 8293S
12514	GWJ 410312N	12547	NAPCO 471341	1257113	VOLVO 710618	12590	LEROI 471442
125142	LEROI 6759S	12547466	GMC 710645	12571139	VOLVO 710618	12590	SKF 8293S
125162	UNIVE 50266	12547478	GMC 710668	12571295	GMC 710678	12590047	GMC 711181
12516M1	HU-WR 471472	12547638	GMC 710496	12571296	GMC 710656	12591866	GMC 710237
125192VB	TRSCM 204507	12547656	GMC 710495	12571297	GMC 710677	12592195	GMC 4307V
125195	CLARK 370039A	12549329	GMC 710760	125716	CUMMI 450291	12592242	GMC 710855
12522	LEROI 411253	12550565	GMC 100470	125716	CUMMI 471141	12592243	GMC 710855
12522	LEROI 450099	12550574	GMC 100085	125716	OLIVE 450291	12592355	GMC 710674
12523307	GMC 710441	12551	C-R 471795	125716	OLIVE 471141	12592355	OPEL 710674
125238	LEROI 204035	12551	NAPCO 450365	125722	CUMMI 472144	12592355	SAAB 710674
125238	WABCO 204035	12551	NAPCO 470898	125722	OLIVE 472144	12595	C-R 710310
125248	CLARK 8126S	12551	SKF 471795	1257221	VOLVO 3476	12595	SKF 710310
12526	BU-SP 471267	12552	LEROI 450803	12572210	VOLVO 3476	125954	CEMAC 470027
12526	LEROI 240319	12552	NAPCO 415483	12573310	VOLVO 3476	125954	CEMAC 471554
125262	MICH 50266	12552	NAPCO 455368	12574	BU-SP 415035	12596827	GMC 710262
125262H1	HOUGH 470898	12552428	GMC 100058	12574	BU-SP 415953	125A848AE1	GE 350364
125268	UNIVE 450269	12554314	GMC 5512	125742	CLARK 455035N	125A848AE11	GE 472951
125269	MICH 450269	12555767	GMC 5512	12574668	GMC 710551	125A848AE11	GE 474252
12526C	MASSE 5M643	12555769	GMC 5512	12575	BU-SP 455018	125A848AE16	GE 471267
12527	LEROI 470590	12556107	GMC 710815	12575	BU-SP 476470	125A848AE2	GE 330385
12527	NAPCO 480630	12556109	GMC 710555	12576050	GMC 710604	125A848AE3	GE 471103
125275	MICH 450285	12556355	GMC 710262	125769	CLARK 370109A	125A848AE3	GE 50197S
125275	UNIVE 450285	12557688	GMC 100085	12577	BU-SP 415116	125A848AE4	GE 320457
125276	MICH 471866	125581	LEROI 415001	12577	C-R 471801	125A848AE5	GE 471472
12528	C-R 471787	125581	LEROI 455001	12577	SKF 471801	125A848AE6	GE 472705
12528	LEROI 481073	125584	HYST 415725	12577710	GMC 710606	125A848AE7	GE 471255
12528	SKF 471787	125591	LEROI 415960	12578	BU-SP 417562	125A848AE9	GE 470954
12528LPD	JN-MN 472572	125591	LEROI 455009	12578	C-R 5166	125A848AF1	GE 472843
12529	LEROI 240462	12559277	GMC 710552	12578	SKF 5166	125A848AF2	GE 471763
12529	NAPCO 411330N	12559279	GMC 710607	125784	ALLCH 415041	125A848AF3	GE 470590
12530	C-R 470244	1255938	GMC 712146	1257G	OSHKO 415988	125A848AK5	GE 471472
12530	LEROI 471255	1256	LEROI 470059	1258	LEROI 450066	125A848BC1	GE 473237
12530	NAPCO 472394	1256	LEROI 470380	1258	LEROI 473367	125A848BC2	GE 471564
12530	SKF 470244	12560	C-R 710300	12580743	GMC 710607	125A848BF1	GE 472041
12530278	GMC 710426	12560	SKF 710300	12580989	GMC 224200	125A848BF1	GE 473454
12530L	IH 472826	12561244	GMC 100470	12581	FULLE 484064V	125A848BF2	GE 471766

INTERCHANGE SECTION

COMPETITIVE INTERCHANGES

Mfr No.	Mfr.	National	Mfr No.	Mfr.	National	Mfr No.	Mfr.	National	Mfr No.	Mfr.	National
125A848BJ2	GE	6668S	1265068	CHRY	410316	127063	HOUGH	412119	12740	C-R	710164
125A848BJ4	GE	471267	1265068	CHRY	472636	127063H1	IH	410101N	12740	SKF	710164
125A848BR1	GE	471255	126537	C-W	417596	1270786	CHRY	370036A	12741	C-R	710164
125E22	EATON	JV1277	12654LPD	JN-MN	417210	1270786	CHRY	370349A	12741	SKF	710164
125PKG	TIMKE	125PKG	12655	C-R	451845	1270786	CHRY	380036A	12744	SPICE	470950
125R	TIMKE	125PKG	12655	SKF	451845	12710	C-R	223230	12744	SPICE	6241S
125W225	CONE	5166	12656	C-R	710819	12710	SKF	223230	1274485Z00	SUZUK	714436
1260	ALOY	482126	12656	SKF	710819	12711	C-R	223230	12745	C-R	710306
12602972	GMC	100085	12656434	GMC	710451	12711	PEUGE	225020	12745	SKF	710306
12606	BU-SP	416125	1266	ALOY	3395	12711	SKF	223230	12746	C-R	710306
12608748	GMC	710855	1266D6	REO	370023A	12712	C-R	223230	12746	SKF	710306
12608750	ACDEL	710674	12660	C-R	450341	12712	PEUGE	229005	12747	C-R	223253
12608750	GMC	710674	12660	SKF	450341	12712	SKF	223230	12747	SKF	223253
12608750	OPEL	710674	126643	OLIVE	450291	127144	HOUGH	410524	12748	C-R	710306
12608750	SAAB	710674	126643	OLIVE	471141	127144H1	HOUGH	410524	12748	SKF	710306
1260907	MOPAR	471224	12666	CHAMP	416345	127145R91	IH	240733	12749	C-R	223240
12609467	GMC	224200	1266604	VOLVO	355660H	12715	C-R	710415	12749	SKF	223240
12609467	OPEL	224200	1266605	VOLVO	710190	12715	SKF	710415	127513C1	IH	471787
126107C1	IH	470712	12668	C-R	710518	12717	C-R	223230	12752	C-R	710415
1261171	CHRY	470403	12668	SKF	710518	12717	SKF	223230	12752	SKF	710415
1261171	CHRY	470774	1266810	CHRY	66355	12718	C-R	223235	1275365	VOLVO	710803
12613	C-R	471808	126691	AM WH	470219	12718	SKF	223235	12753650	VOLVO	710803
12613	SKF	471808	126691	AM WH	471649	12718LPD	JN-MN	415832	12754	C-R	223240
12614	C-R	471808	12671	C-R	710282	12719	C-R	223235	12754	SKF	223240
12614	SKF	471808	12671	SKF	710282	12719	SKF	223235	12755013	GMC	3543
126150	BENDI	351487	1267215	CHRY	6638S	1272	ALOY	442874	12755013	SAAB	3543
126158	OLIVE	471689	12673	CHAMP	415027	12720	C-R	710853	12756	C-R	710164
12620955	GMC	710855	12673	CHAMP	455027	12720	SKF	710853	12756	SKF	710164
12621	C-R	471818	12673	DOMIN	415027	12723	PEUGE	229005	127592	EATON	127592
12621	SKF	471818	12677LDS	JN-MN	415937	12724	C-R	710310	127594H1	HOUGH	240151
126214C91	IH	481163	12678	C-R	453279	12724	SKF	710310	1276424	VOLVO	710190
126262	MICH	472070	12678	SKF	453279	12725LPD	JN-MN	480491	12764247	VOLVO	710190
126262	UNIVE	472070	12678LPD	JN-MN	452742	127262	MICH	473451	1276425	VOLVO	710190
126268	UNIVE	471866	12679	C-R	710469	127275	MICH	473452	12764250	VOLVO	710190
126269	MICH	471866	12679	SKF	710469	127275	UNIVE	473452	12764254	VOLVO	710190
126275	MICH	450118	126797	AM WH	417497	127287	MICH	473453	1277	ALOY	1973
126275	MICH	473449	1268D6	REO	370019A	127287	UNIVE	473453	1277110	BENDI	471689
126275	UNIVE	450118	126839	OLIVE	470403	12729	C-R	3476	127719	EATON	475012N
126275	UNIVE	473449	126839	OLIVE	470774	12729	SKF	3476	127720	EATON	475003N
126276	MICH	480281	12685	C-R	8429S	1273	ALOY	1217	127721	EATON	9773
126287	MICH	473450	12685	SKF	8429S	12730	C-R	3476	12772LUP	JN-MN	415294
126287	UNIVE	473450	12687	AM BR	471760	12730	C-R	710310	12773LPD	JN-MN	417539
1263020	CHRY	5401	12690	C-R	710618	12730	SKF	3476	12785	C-R	471845N
1263021	CHRY	5403	12690	SKF	710618	12730	SKF	710310	12785	SKF	471845N
12631	C-R	471407	1269681	CHRY	450316	1273095	CHRY	6597S	127891	CLARK	416556
12631	SKF	471407	1269681	CHRY	472636	12731	C-R	3476	127891	CLARK	472157
126318	UNIVE	450090	12698	C-R	223215	12731	SKF	3476	1279	ALOY	5697
126319	MICH	450090	12698	SKF	223215	12732	AIRCO	340823	127920	LEYLD	471192
12634365	GMC	711181	126PKG	TIMKE	126PKG	12733	C-R	3476	127968R91	IH	5778
12636	GWI	470712	126R	TIMKE	126PKG	12733	C-R	710310	127PKG	TIMKE	127PKG
1263697	CHRY	6270	127610	ELRNG	224200	12733	SKF	3476	127R	TIMKE	127PKG
12637	C-R	471833	12700	C-R	223215	12733	SKF	710310	1280	ALOY	5604
12637	SKF	471833	12700	SKF	223215	12735	C-R	223240	12800	AM BR	450095
12637710	GMC	710855	127006	ALLCH	416339	12735	SKF	223240	12800	AM BR	473464
12637710	SAAB	710855	127006	ALLCH	455031	12736	C-R	710317	128047R91	IH	415458
12638LPD	JN-MN	55524	1270137	CHRY	417267	12736	SKF	710317	128047R91	IH	475458
12640	C-R	471833	12705	C-R	223220	12737	C-R	223340	1281	ALOY	3622
12640	SKF	471833	12705	SKF	223220	12737	SKF	223340	12810	C-R	710070
1264320	KEN	473243	12706	C-R	223220	12739	C-R	710164	12810	SKF	710070
12650	HEIL	471466	12706	SKF	223220	12739	SKF	710164	12810004	TROS	350414

INTERCHANGE SECTION

COMPETITIVE INTERCHANGES



Mfr No.	Mfr.	National	Mfr No.	Mfr.	National	Mfr No.	Mfr.	National	Mfr No.	Mfr.	National
12810004	TROS	472311	12886	C-R	223340	129828R91	IH	473460	130005H1	IH	417351
128117	CLARK	370051A	12886	SKF	223340	12984	OLIVE	473215	13001	CHRYS	472179
128119	HYST	473237	128861	EATON	370003A	129851	GOODM	417485	13001	NEWPR	472179
12812	C-R	223235	128861	EATON	380003A	129851	JEFF	417485	1300113212	TROS	415077
12812	SKF	223235	1289	ALOY	4160	129852	GOODM	416738	130018R91	IH	415449
128203TB	TRSCM	353137	128918	DURA	470163	129852	GOODM	450096	130018R91	IH	455147
128203TB	TRSCM	473424	128918	DURA	471766	129882	GOODM	450185	130048	JEFF	410694
12823	C-R	470050	128918	FORD	470163	129882	GOODM	473229	13005	C-R	710124
12823	SKF	470050	128918	FORD	471766	129882	JEFF	450185	13005	SKF	710124
128233R91	IH	451948	12894SS	JN-MN	473224	129882	JEFF	473229	130061	ALLCH	417171
128234R91	IH	451948	128953H	IH	450084	12989	C-R	710315	130102	GOODM	471787
128262	MICH	472439	128PKG	TIMKE	128PKG	12989	SKF	710315	130108	ATHEY	471765
128262I	MICH	40071S	128R	TIMKE	128PKG	129899	GOODM	415001	130117	ATHEY	471750
128262SL	MICH	472439	129780	ELRNG	3476	129899	GOODM	455001	130122	ATHEY	471801
128269	MICH	471868	1290	ALOY	225110	129899	JEFF	415449	130137	ATHEY	450054
128275	MICH	450117	12901	JNSON	472179	129899	JEFF	455147	130141	ATHEY	473215
128275	MICH	472572	12905	C-R	471193N	129915	ALLCH	417316	13015	C-R	240716
128275	UNIVE	450117	12905	SKF	471193N	129915	ALLCH	455004	13015	SKF	470716
128275	UNIVE	472572	129054	US-EL	450291	12993	JNSON	J1103	1301588	ATHEY	473440
128276	MICH	473179	129054	US-EL	471141	129935	GOODM	415960	13018	TLSMI	455200N
128278	MICH	414045	1290K1	WHITE	450400	129935	GOODM	455009	130189	HOUGH	417352
128278	UNIVE	414045	1291	ALOY	225020	129935	JEFF	415995	130189	HOUGH	418028
12828	LEROI	481073	12912	C-R	710132	129935	JEFF	455013	13019	TLSMI	416624N
128287	MICH	450082	12912	SKF	710132	129936	HYST	471835	130199	ATHEY	450070
128287	MICH	473238	1292	ALOY	226285	129945	GOODM	471354	130199	ATHEY	472185
128287	UNIVE	473238	129220	US-EL	340356	129PKG	TIMKE	129PKG	1302012	CLARK	471442
128299	UNIVE	450084	12925	C-R	710043	129R	TIMKE	129PKG	130204	ATHEY	471141
12830	C-R	473424	12925	SKF	710043	12A10039	NAPCO	6638S	130205	ATHEY	473313
12830	SKF	473424	12929LUP	JN-MN	417601	12A2500	MINNM	450389	130206	ATHEY	470088
128300	MICH	450084	129303H	IH	450316	12A2500	MINNM	472492	13021	C-R	6370N
128300	UNIVE	450298	129303H	IH	472636	12A500	MINNM	450389	13021	SKF	6370N
128300	UNIVE	473239	12934	FBG	1962	12A500	MINNM	472492	130228	ATHEY	472439
128301	MICH	450298	129370	HOUGH	410101N	12A7000	FED	470088	130233	ATHEY	450082
128301	MICH	473239	129386	JEFF	416339	12A7050	FED	450083	130233	ATHEY	473238
128306	MICH	473457	129386	JEFF	455031	12A7050	FED	472924	130236	ATHEY	473457
128306	UNIVE	473457	129387	JEFF	470045	12A7106	FED	5M466	1302481	ATHEY	471391
12830LPD	JN-MN	473211	129387	JEFF	476838	12A7123	FED	450467	130250	ATHEY	450085
128312	UNIVE	473240	1294	ALOY	223605	12A7823	FED	5MR71	130250	ATHEY	470530
128318	UNIVE	473458	12940A	HERCU	415991	12A8121	FED	5796	130268	ATHEY	413469
128319	MICH	473458	129418R91	IH	5778	12X14333A	JOHND	416404	13027	C-R	473423
12831STLPD	JN-MN	415219	129419R91	IH	5778	12X14360A	JOHND	473227	13027	SKF	473423
12832	FULLE	473473	129473	JEFF	411253	12X15982A	JOHND	472258	130271	ATHEY	450316
128333	EATON	614837	129473	JEFF	450099	1300044009	BORGW	714503	130271	ATHEY	472636
1284	ALOY	444116	129474	JEFF	415001	1300044017	TREME	2465	130272	ATHEY	411253
12842LDS	JN-MN	471272	129474	JEFF	455001	1300044017	WARNR	2465	130272	ATHEY	450099
128434	GMC	471270	129498	HYST	200870	1332044007	TREME	7692S	130278	ATHEY	416444
1285	ALOY	2002	1294991	GMC	8660S	1300016001	BORGW	330385	130279	ATHEY	412119
128576	CLARK	415960	129503R91	IH	471267	1300044001	WARNR	330385	130279	ATHEY	450101
12857G	CLARK	415960	1295A3	WHITE	412119	1300044006	BORGW	4503N	130287	MICH	472144
12857G	CLARK	455009	1295A3	WHITE	450101	1300044009	WARNR	714503	130287	UNIVE	472144
12859	FULLE	340151	1296	F-R-H	472287	1300044011	WARNR	710402	130289	ATHEY	415458
12861LPD	JN-MN	415284	129636	GOODM	473225	1300044012	WARNR	7692S	130289	ATHEY	455003
12866	JOHND	471612	129636	SUL	473225	1300044013	WARNR	710441	130294	ATHEY	417316
1287	ALOY	4990	1296879	GMC	40370S	1300044015	WARNR	7412S	130294	ATHEY	455004
1287002	GMC	5M81	1296913	GMC	40286	1300044019	TREME	710426	130295	ATHEY	415960
12876LUP	JN-MN	471255	1296A3	WHITE	485195H	1300044019	WARNR	710426	130295	ATHEY	455009
1288	ALOY	225230	129717	GMC	416158	1300044020	TREME	710431	130299	UNIVE	473460
128819	C-W	330385	1297930P00	NISSA	228410	1300044020	WARNR	710431	1303	C-R	5666
128847	EATON	370001A	12981	TMTR	470351	1300044002	BORGW	7300S	1303	SKF	5666
128847	EATON	380001A	12981	TMTR	471504	130004412	BORGW	472213	130300	MICH	473460

INTERCHANGE SECTION

COMPETITIVE INTERCHANGES

Mfr No.	Mfr.	National	Mfr No.	Mfr.	National	Mfr No.	Mfr.	National	Mfr No.	Mfr.	National
130300	UNIVE	472394	130447	ATHEY	455070	130981	ATHEY	471692	1316801M00	NISSA	710415
130301	MICH	472394	130448	ATHEY	417546	13099	ATHEY	450070	1316933	ROVER	3774
1303012	CLARK	471442	130454	ATHEY	416476	13099	ATHEY	472185	131704	HOUGH	471760
130303	ATHEY	415995	130454	ATHEY	455075	130PKG	TIMKE	130PKG	131704H1	HOUGH	471760
130303	ATHEY	455013	130455	ATHEY	415072	130R	TIMKE	130PKG	13170X	MASSE	471735
130306	ATHEY	417488	1304OS	JN-MN	417600	1310194	GMC	340724	13171VB	TRSCM	340853
130306	MICH	473461	1305D6	REO	370030A	13106C	MASSE	415001	13172LDS	JN-MN	416888
130306	UNIVE	473461	13050	C-R	472826	13106C	MASSE	455001	13173LDS	JN-MN	416156
130312	UNIVE	471391	13050	SKF	472826	1311035	WOOL	415379	13177B	MASSE	472826
130313	MICH	471391	1305044	GMC	710163	1311035	WOOL	455379	13178B	MASSE	473225
1303139C91	IH	470898	13052	C-R	472826	1311157	FORD	223535	131800	DANA	710454
130315	ATHEY	417485	13052	SKF	472826	1311157	FORD	711027	131800	SPICE	710454
130318	UNIVE	450094	130534	HOUGH	472924	13111C	MASSE	415085	13182SB	TRSCM	323138
130318	UNIVE	473462	130534H1	HOUGH	472924	13111C	MASSE	456648	13183P	ITM	1012N
130319	MICH	450094	13053RD	ITM	222860	13112	C-R	473212	13183PSL	TRSCM	6370N
130319	MICH	473462	13059LUP	JN-MN	471466	13112	SKF	473212	131872SB	TRSCM	330663
13033	C-R	473422	1306	C-R	370046A	131233065	MAZDA	1213N	131872SB	TRSCM	352354
13033	SKF	473422	1306	SKF	370046A	131201	EMSCO	473205	131872SB	TRSCM	484156V
130331	ATHEY	455024	13060	C-R	472826	131203SB	TRSCM	472826	131872VB	TRSCM	40395S
130334	ATHEY	417191	13060	SKF	472826	131203TB	TRSCM	472826	131872VB	TRSCM	484156V
130337	ATHEY	415025	130612H	IH	471570	131206	EMSCO	473473	131872VL	TRSCM	40395
130342	ATHEY	415991	13062LPD	JN-MN	473413	13121	CHRYS	3173	131872VSB	TRSCM	484156V
130342	ATHEY	455146	1306333	VOLVO	1172	13121	CHRYS	710928	131873TB	TRSCM	472354
130354	MICH	417474	13063334	VOLVO	1172	13121	NEWPR	471869	131873TB	TRSCM	50395S
13037	C-R	473210	13063342	VOLVO	1172	131210	EMSCO	417548	131876R91	IH	472394
13037	SKF	473210	13063T	JOHND	340009S	131211	EMSCO	417082	1318929	GMC	451147H
130370	GOODM	455008	130645R91	IH	471267	131213TB	TRSCM	473211	1318RC	SUL	415988
1303701	ATHEY	450441	13066LPD	JN-MN	224570	131223SB	TRSCM	473212	1319178	FORD	711001
1303701	ATHEY	471341	130671H	HOUGH	471341	131274R91	IH	415991	13192TB	TRSCM	1987
130375	ATHEY	417366	1306742	GMC	450085	131274R91	IH	455146	131932R91	IH	472394
130376	US-EL	416107	1306742	GMC	470530	131280	EMSCO	417354	13193PSB	TRSCM	482163N
130376	US-EL	455073	1306743	GMC	450307	131281	EMSCO	417354	131955PTZ	TRSCM	2443
130377	US-EL	415379	13068LPD	JN-MN	471567	1312866	CLARK	40520S	13195F	IH	473225
130377	US-EL	455379	1307	C-R	5649	131287	UNIVE	450474	13195G	IH	473225
130380	ATHEY	415187	1307	SKF	5649	131299	UNIVE	50528	13197	DIVCO	340797
130388	ATHEY	417223	13070	CHRYS	473457	1312RC	SUL	418028	131983SA	TRSCM	482163
1304201M00	NISSA	224020	13073	ATHEY	470120	1312RC	SUL	455137	1319RC	SUL	415379
1304205E00	NISSA	710354	13073	ATHEY	471224	131308H	IH	471103	1319RC	SUL	455379
1304205E01	NISSA	710354	130731	US-EL	470548	131308H	IH	50197S	131PKG	TIMKE	131PKG
130420B001	NISSA	223420	130731	US-EL	470625	13135LPD	JN-MN	481537	131R	TIMKE	131PKG
1304213C10	NISSA	710354	13074	ATHEY	470219	13143	DIA	6090S	13203SB	TRSCM	480570
1304216A05	NISSA	223420	13074	ATHEY	471649	13143	EATON	6090S	13203TB	TRSCM	472258
1304216A10	NISSA	223420	130748	US-EL	473016	13144	C-R	710455	13203VSB	TRSCM	472258V
1304216V00	NISSA	224052	13075LUP	JN-MN	417352	13144	SKF	710455	13203VTB	TRSCM	471268N
1304216V0A	NISSA	224052	13075LUP	JN-MN	418028	131484R91	IH	417484N	13203VTB	TRSCM	472258V
1304218000	NISSA	223831	1308	C-R	370023A	131484R91	IH	475322N	13204004	TROS	471564
1304242L00	NISSA	224052	1308	C-R	380023A	131526	SPERY	415960	13204405	TROS	471579
1304273000	NISSA	710313	1308	C-R	5667	13157	C-R	40769S	13204804	TROS	471567
13042A3500	NISSA	710255	1308	SKF	370023A	13157	SKF	40769S	13204806	TROS	471567
13042A3501	NISSA	710255	1308	SKF	380023A	131575	HOUGH	471224	1320480625	TROS	471567
13042A3510	NISSA	710255	1308	SKF	5667	131575H1	HOUGH	471224	13205005	TROS	481568
13042A8600	NISSA	710255	1308107	CATER	39889	13163LPD	JN-MN	471526	13205205	TROS	474253
13042B3000	NISSA	710196	13084	C-R	473421	13165	C-R	5131	1320520625	TROS	450030
13042D0100	NISSA	223420	13084	SKF	473421	13165	SKF	5131	1320520625	TROS	474253
13042D0101	NISSA	223420	1308521	ALLCH	417562	1316639	ROVER	3774	13205604	TROS	471570
1304343700	NISSA	225040	13092	C-R	473211	13166E	JOHND	204002	13205606	TROS	471570
130437	ATHEY	417538	13092	SKF	473211	1316788	CHRYS	350679	1320560625	TROS	471570
13044	FULLE	418028	13097	NAPCO	417513	1316788	CHRYS	470954	13206006	TROS	471571
13044	FULLE	455137	13098	NAPCO	417554	13168	C-R	5131	1320600625	TROS	471571
130447	ATHEY	416865	130981	ATHEY	470189	13168	SKF	5131	13206205	TROS	472324

INTERCHANGE SECTION

COMPETITIVE INTERCHANGES



Mfr No.	Mfr.	National	Mfr No.	Mfr.	National	Mfr No.	Mfr.	National	Mfr No.	Mfr.	National
1320620625	TROS	451583	132435H10	IH	416888	13353X	MASSE	450066	134313	MIHLE	415379
132062SC	TRSCM	6760S	13244SA	TRSCM	6241S	13353X	MASSE	473367	134313	MIHLE	455379
13206305	TROS	472324	13246	C-R	2300	13355X	MASSE	473225	13435	C-R	710418
13206306	TROS	472324	13246	SKF	2300	1335716	GMC	451147H	13435	SKF	710418
1320630625	TROS	472324	132563TB	TRSCM	473258	1335RC	SUL	416666	13436LPD	JN-MN	455129
132063SB	TRSCM	470774	132563VTB	TRSCM	471847N	133607H	IH	470077	13437	C-R	473436
132074	ROSS	472560N	1326093	CHRYS	5414	133607H	IH	474281	13437	SKF	473436
132074	ROSS	50151S	132628R91	IH	7600S	133675	JEFF	417481	134380H1	HOUGH	410308
1320B	GOODM	450194	13265SL	TRSCM	450776	13382	C-R	710897	134380H1	HOUGH	450308
1320B	GOODM	473010	132707R91	IH	471466	13382	SKF	710897	13438LPD	JN-MN	471686
1320D	GOODM	450154	13273SB	TRSCM	323125	13382	TIMKE	710897	13439	C-R	710110
1320D	GOODM	473234	13275	C-R	450147	13385	GW	481568	13439	SKF	710110
1320RC	SUL	416339	13275	SKF	450147	133853	US-EL	481443	134399	GOODM	470219
1320RC	SUL	455031	13280	C-R	710109	133887	CROSS	471354	134399	GOODM	471649
13210004	TROS	471224	13280	SKF	710109	133888	CROSS	470062	134399	JEFF	470219
13210005	TROS	471224	1328011	BENDI	350394	133888	CROSS	474264	134399	JEFF	471649
13210006	TROS	471224	1328011	BENDI	473227	133889	CROSS	470074	13441	C-R	710110
1321000625	TROS	470120	1328349	CHRYS	6636S	133889	CROSS	474265	13441	SKF	710110
1321000625	TROS	471224	13283TB	TRSCM	472658	133890	CROSS	472144	13442AS	HERCU	8370S
13210008	TROS	471224	13283TB	TRSCM	473197	133891	CROSS	450316	13445	C-R	473812
132100085	TROS	471224	132867H	IH	450194	133891	CROSS	472636	13445	SKF	473812
13210405	TROS	480210	132867H	IH	473010	133892	CROSS	413478	13448LUP	JN-MN	471472
13210406	TROS	480210	13287LDS	JN-MN	472658	133893	CROSS	417159	134494	JEFF	415025
1321040625	TROS	480210	13287LDS	JN-MN	473197	1339524	VOLVO	224010	1345044003	WARNR	3946
132104085	TROS	480210	13292LPD	JN-MN	415187	13395249	VOLVO	224010	1345044044	WARNR	473237
132104X035	TROS	9376	1329602	BENDI	471820	1339676	VOLVO	710677	1345044004	BORGW	473237
13210803	TROS	340815	1329820	VOLVO	710215	13396767	VOLVO	710677	1345044004	WARNR	473237
13211602	TROS	240736	13298203	VOLVO	710215	1339707	VOLVO	710780	13452	C-R	710314
132123TB	TRSCM	470135	132P3	WHITE	45653S	133A	HYST	470120	13452	SKF	710314
132123TB	TRSCM	471192	132PKG	TIMKE	132PKG	133A	HYST	471224	13458LUP	JN-MN	450593
132123VTB	TRSCM	482576N	132R	TIMKE	132PKG	133PKG	TIMKE	133PKG	134592	GOODM	6863S
13213TB	TRSCM	472287	1330	CALI	455005	133R	TIMKE	133PKG	134592	JEFF	6863S
13219X	MASSE	471466	133006C1	IH	415984	1340096	VOLVO	223830	1346034	GMC	470403
1322	C-R	5089	13302	DIVCO	8160S	13400965	VOLVO	223830	1346034	GMC	470774
1322	SKF	5089	1330B	GOODM	450194	134102	JEFF	471255	13462	CHRYS	473457
13221	C-R	473213	1330B	GOODM	473010	13414LUP	JN-MN	417349	134631	SPICE	471466
13221	SKF	473213	13315LDS	JN-MN	416271	134154	US-EL	471571	134632	SPICE	470358
132214	SCHWI	471763	13316LDS	JN-MN	472636	13418	C-R	5124	134632	SPICE	473231
132222D	GARLK	5124	13316X	MASSE	417344	13418	SKF	5124	134633	SPICE	471192
1322309	WOOL	416011	13316X	MASSE	455006	13419	C-R	9161	134634	SPICE	471765
1322309	WOOL	417621	1331RC	SUL	456105	13419	SKF	9161	134661	SCHWI	412015V
132233SB	TRSCM	484058	1332044001	WARNE	3116N	13421	C-R	473435	1346883	GMC	470403
132234SB	TRSCM	9161	1332044005	BORGW	471652	13421	SKF	473435	1346883	GMC	470774
13223TB	TRSCM	470169	1332044005	BORGW	482208	134213TL	TRSCM	473435	13469LPD	JN-MN	481073
13223TB	TRSCM	473214	1332044006	BORGW	313156	13423	C-R	223400	1347056	GMC	331301N
132282VB	TRSCM	42763	1332044007	BORGW	7692S	13423	SKF	223400	134717	HYST	471231
132283SP	TRSCM	5131	1332113212	TROS	415076	13425	C-R	223420	1347413	GMC	470064
1322D	GOODM	474274	133224R91	IH	6835S	13425	C-R	710416	1347413	GMC	471821
13232VHY	TRSCM	43089S	13336A	HERCU	473236	13425	SKF	223420	13475	C-R	710422
13233SB	TRSCM	473215	13339	DIVCO	450867	13425	SKF	710416	13475	SKF	710422
13233TB	TRSCM	470055N	13339	DIVCO	470898	13426	C-R	223420	13477E	IH	415001
13233TB	TRSCM	473215	1333OS	JN-MN	415045	13426	SKF	223420	13477E	IH	455001
13234VHY	TRSCM	204027	133456	HYST	471737	13427	C-R	710236	13478	C-R	710109
13236	C-R	710773	133494R1	IH	7581H	13427	SKF	710236	13478	SKF	710109
13236	SKF	710773	133494R2	IH	7581H	13429	C-R	223420	13484	C-R	710151
13241LDS	JN-MN	476470	133494R92	IH	7581H	13429	SKF	223420	13484	SKF	710151
13242	C-R	481834	1334OS	JN-MN	417601	134299	GOODM	470219	13491	GARLK	710005
13242	SKF	481834	13350	C-R	484054	134299	GOODM	471649	13491	NEWPR	710005
1324262	CHRYS	5414	13350	SKF	484054	134299	JEFF	470219	13492	C-R	8594S
132435H20	IH	470625	133523	HYST	455019	134299	JEFF	471649	13492	SKF	8594S

INTERCHANGE SECTION

COMPETITIVE INTERCHANGES

Mfr No.	Mfr.	National	Mfr No.	Mfr.	National	Mfr No.	Mfr.	National	Mfr No.	Mfr.	National
134928R91	IH	351267	13510R2000	NISSA	224205	13543	C-R	40395S	13585	C-R	470774
134928R91	IH	471267	13510V5000	NISSA	223340	13543	SKF	40395	13585	SKF	470403
13495	C-R	710250	13510V7200	NISSA	224052	13543	SKF	40395S	13585	SKF	470774
13495	SKF	710250	13510V720A	NISSA	224052	13544	DIA	5MR71	13587LPD	JN-MN	471870
134989	NRWST	471424	1351050B10	NISSA	224052	135442	DIA	5MR71	13587LPD	JN-MN	471883
134PKG	TIMKE	134PKG	1351050B11	NISSA	224052	135443	SCHWI	410085N	13588	C-R	470403
134R	TIMKE	134PKG	1351088G10	NISSA	223340	13545	C-R	40395	13588	SKF	470403
13514	ELRNG	710711	13510H1010	NISSA	223831	13545	C-R	40395S	1358899	GMC	9613S
135140	ELRNG	223801	13510V7201	NISSA	224052	13545	SKF	40395	135897	GOODM	417020
135150	ELRNG	223020	13510V7202	NISSA	224052	13545	SKF	40395S	135897	JEFF	417020
135180	ELRNG	710790	13511	C-R	484156V	13548	BORGW	411253	1359176	GMC	6712NA
135190	ELRNG	710669	13511	SKF	484156V	13548	BORGW	450099	1359496	WHITE	416288
13500	C-R	8133S	13512	C-R	330663	13548	C-R	40395	135955	NEHO	472164
13500	SKF	8133S	13512	SKF	330663	13548	C-R	40395S	13595LDS	JN-MN	417546
13508	C-R	8549S	135127	ALLCH	415371	13548	SKF	40395	13595X	MASSE	470120
13508	SKF	8549S	13517LDS	JN-MN	471419	13548	SKF	40395S	13595X	MASSE	471224
1351000QAA	NISSA	1172	13517LDS	JN-MN	473367	13548	SPERY	411253	13596	C-R	6760S
1351001B00	NISSA	239146	13518LDS	JN-MN	416011	13548A	VICK	411253	13596	SKF	6760S
1351001M00	NISSA	223602	13518LDS	JN-MN	417621	13548A	VICK	450099	13598	C-R	51322
135100Z400	NISSA	224650	135255SP	TRSCM	8594S	13552	C-R	1987	13598	SKF	51322
1351010Y00	NISSA	224052	13527	C-R	2443	13552	SKF	1987	135999	HOUGH	415371
1351010Y10	NISSA	224052	13527	SKF	2443	13553LPD	JN-MN	417344	135999H1	HOUGH	415371
1351010Y12	NISSA	224052	13529	C-R	340853	13554LUP	JN-MN	473016	135999H1	IH	415371
1351010Y13	NISSA	224052	13529	SKF	340853	13557	C-R	482163	135PKG	TIMKE	135PKG
1351016A00	NISSA	223340	1352916	B-L-H	415449	13557	C-R	482163N	135R	TIMKE	135PKG
1351016V10	NISSA	223340	1352916	B-L-H	455147	13557	C-R	714655	1361506	JPAT	224045
1351018000	NISSA	223831	135292	GOODM	415088	13557	SKF	482163	136002	HOUGH	450121
1351018V10	NISSA	223340	135292	GOODM	455088	13557	SKF	482163N	136002	HOUGH	472409
1351019V00	NISSA	224052	135292	JEFF	415088	13557	SKF	714655	136002H1	HOUGH	450121
135101F700	NISSA	224052	135292	JEFF	455088	13562	C-R	472258	136002H1	HOUGH	472409
135101KC1A	NISSA	224650	135308	HOUGH	471224	13562	C-R	5872S	136002H1	IH	450121
135101KT0A	NISSA	224015	13533	C-R	6597S	13562	SKF	472258	136002H1	IH	472409
135101LA0A	NISSA	224650	13533	SKF	6597S	13562	SKF	5872S	13602	C-R	472287
135102J200	NISSA	224650	135330	CROSS	471571	13567	BU-SP	471652	13602	SKF	472287
1351031U00	NISSA	710356	13534	C-R	330663	13568	C-R	480570	13604	BU-SP	415645
1351031U10	NISSA	710356	13534	C-R	352354	13568	SKF	480570	13604	BU-SP	455104
1351040F00	NISSA	224650	13534	C-R	472354	13569	C-R	472258	13608	C-R	4638N
1351040F10	NISSA	224650	13534	SKF	330663	13569	SKF	472258	13608	SKF	4638N
1351053J00	NISSA	224650	13534	SKF	352354	13571	C-R	5872S	136088	GOODM	471645
1351053J01	NISSA	224650	13534	SKF	472354	13571	SKF	5872S	1361	ALOY	224045
1351053J10	NISSA	224650	13534A	HERCU	416047	13571LPD	JN-MN	471424	13610004	TROS	471270
1351053J11	NISSA	224650	13534A	HERCU	416332	135722	ALLCH	415138	13610006	TROS	471270
13510580800	NISSA	224052	13535	C-R	330663	13573	C-R	40522S	13610406	TROS	450188
1351060U00	NISSA	710354	13535	C-R	472354	13573	SKF	40522S	13610804	TROS	352560
135106N200	NISSA	224650	13535	SKF	330663	1357370	GMC	8594S	13610804	TROS	472560N
135106N210	NISSA	224650	13535	SKF	472354	13574	NPG	473468	13610805	TROS	352560
1351071J00	NISSA	224052	13537	C-R	323138	13574	SPICE	473442	13610805	TROS	472560N
1351077A05	NISSA	224052	13537	SKF	323138	13578LDS	JN-MN	471801	13610806	TROS	472560N
1351077A10	NISSA	224052	13538	C-R	484156V	13579	C-R	472258V	13610806	TROS	50151S
135107Y000	NISSA	710356	13538	SKF	484156V	13579	SKF	472258V	13616	C-R	710733
1351088G00	NISSA	223340	1353918	GMC	473228	13579LDS	JN-MN	471869	13616	SKF	710733
1351088G10	TOYOT	223340	1353918	GMC	51098	13579LDS	JN-MN	473459	13618	MALL	480210
1351097E00	NISSA	710356	1353919	GMC	473228	135804	SPERY	482126	136203SB	TRSCM	51322
1351097E10	NISSA	710356	1353919	GMC	51098	135804	VICK	482126	136206	GOODM	415938
13510A8V10	NISSA	223340	1353997	GMC	9613S	13581	C-R	472258V	136206	JEFF	415150
13510AD200	NISSA	225005	135402	MINNM	340385	13581	SKF	472258V	136233H2	IH	417597
13510D0100	NISSA	223340	135402	OLIVE	340385	13581LPD	JN-MN	471137	136234SB	TRSCM	9568
13510ED000	NISSA	224015	13541X	MASSE	450070	13582	C-R	470774V	1362377	GMC	8594S
13510H1000	NISSA	223831	13541X	MASSE	472185	13582	SKF	470774V	13624	C-R	470027
13510H1001	NISSA	223831	13543	C-R	40395	13585	C-R	470403	13624	C-R	471554

INTERCHANGE SECTION

COMPETITIVE INTERCHANGES



Mfr No.	Mfr. National	Mfr No.	Mfr. National	Mfr No.	Mfr. National	Mfr No.	Mfr. National
13624	SKF 470027	13676	SKF 7495S	13712	SKF 710668	1376	CHEL 471763
13624	SKF 471554	136762R1	IH 450066	137136	HOUGH 410737	1376030	OSHKO 415991
13627	C-R 710662	136762R1	IH 473367	13716	C-R 713771	1376030	OSHKO 415991N
13627	SKF 710662	136771	SPERY 474278	13716	SKF 713771	137624	FMC 40027S
136277	HOUGH 415004	1368068	GMC 331301N	1371718	FORD 710788	13763	C-R 710489
136277	HOUGH 417316	13685	C-R 2655	137174	HYST 417269	13763	SKF 710489
136277H1	HOUGH 415004	13685	SKF 2655	13719	FAIRB 471558	13768LUP	JN-MN 417481
136277H1	HOUGH 417316	136879	CUMMI 416271	13720	C-R 471255	13769	C-R 710864
1363206	GMC 8594S	13688	C-R 4614N	13720	FAIRB 471255	13769	SKF 710864
13637	KEN 415656	13688	SKF 4614N	13720	SKF 471255	13770LUP	JN-MN 415150
136376	SPERY 204029	13689	C-R 40169S	13721	LEROI 481073	13771	C-R 223535
136376	SPERY 204507	13689	SKF 40169S	13722	C-R 710618	13771	SKF 223535
136393	US-EL 470548	136899H2	IH 472492	13722	SKF 710618	13772	C-R 710806
136393	US-EL 470625	13691	C-R 473214V	137231C1	IH 204038	13772	SKF 710806
13644	C-R 710702	13691	SKF 473214V	137235SP	TRSCM 8549S	13772LPD	JN-MN 415058
13644	SKF 710702	136957R91	IH 340771	13724	FAIRB 470027	13773	C-R 710692
136478	US-EL 416664	13696A	HEIL 417267	13724	FAIRB 471554	13773	SKF 710692
13647LPD	JN-MN 471729	13696A	HERCU 417267	13724	IH 470027	13773LDS	JN-MN 453182
13649	C-R 471192	13698	C-R 473214	13724	IH 471554	1377748	VOLVO 222820
13649	SKF 471192	13698	SKF 473214	13725	C-R 710419	13778	C-R 710683
13650	C-R 471192	136A10804	TROS 352560	13725	SKF 710419	13778	SKF 710683
13650	SKF 471192	136A10804	TROS 472560N	137253R91	IH 471103	13778SS	JN-MN 471442
13651	C-R 471192	136PKG	TIMKE 136PKG	137253R91	IH 50197S	137816H	IH 50327
13651	SKF 471192	136R	TIMKE 136PKG	13726	C-R 710630	13784	C-R 710583
136535	WEBER 415303	137	BORGW 455480	13726	SKF 710630	13784	SKF 710583
136540	WEBER 450446	137	IG-RA 455480	137272R91	IH 470004	13785	C-R 711027
1366	MURPH 450067	1371501	JPAT 224052	13728	STEEL 471267	13785	SKF 711027
1366	MURPH 473228	13700	C-R 9569S	13729	C-R 710656	13786	C-R 710546
1366068	FORD 710728	13700	SKF 9569S	13729	SKF 710656	13786	SKF 710546
13662	C-R 471192	1370084020	COLLS 330385	13729X	MASSE 471750	13789LUP	JN-MN 415128
13662	SKF 471192	1370085020	COLLS 416271	1373030	GMC 6712NA	137902H1	HOUGH 417134
13663	C-R 471192V	1370085030	COLLS 471413	13732	SPICE 412119	13792	C-R 223550
13663	SKF 471192V	1370085040	COLLS 410520	13732	SPICE 450101	13792	SKF 223550
13668	C-R 3543	1370085040	COLLS 471272	13732A	HEIL 471255	1379246	GMC 5591
13668	SKF 3543	1370085050	COLLS 450457	13732A	HERCU 471255	137945H1	HOUGH 40140S
136699	HOUGH 455186	1370085060	COLLS 473224	13735	C-R 100165	13797	C-R 470950
136702	HOUGH 417546	1370085070	COLLS 472015	13735	SKF 100165	13797	SKF 470950
136702H1	IH 472439	1370090010	COLLS 471760	13738	C-R 473215	137PKG	TIMKE 137PKG
13671	C-R 473214	13703	C-R 710616	13738	C-R 9568	137R	TIMKE 137PKG
13671	C-R 6200	13703	SKF 710616	13738	SKF 473215	13800	CASE 6590S
13671	SKF 473214	13704	C-R 8660S	13738	SKF 9568	13804LPD	JN-MN 453182
13671	SKF 6200	13704	SKF 8660S	137381	GMC 415991	138053	ALLCH 415007
13672	CHRY 3173	13704204	TROS 481397	13739	C-R 3116N	138088	JEFF 471645
13672	CHRY 710928	13704206	TROS 481397	13739	SKF 3116N	13809LUP	JN-MN 55078S
13672	GARLK 3173	13704804	TROS 471498	13742	C-R 710592	1380A3	WHITE 485195H
13672	GARLK 710928	13705604	TROS 471633	13742	SKF 710592	1381	SKIL 472951
1367260	OSHKO 415938	137060H	IH 450291	13748	C-R 710336	1381	SKIL 474252
136734	HOUGH 455330	137060H	IH 471141	13748	SKF 710336	13810	C-R 483793
136734H1	IH 455330	137068	US-EL 470898	13748X	MASSE 410102	13810	SKF 483793
136735	HOUGH 450082	13709	C-R 320249	13750	C-R 3543	13812	C-R 471276
136735	HOUGH 473238	13709	C-R 714436	13750	SKF 3543	13812	SKF 471276
136735H1	IH 450082	13709	SKF 320249	137547	NEHO 473231	138120	HYST 472258
136735H1	IH 473238	13709	SKF 714436	13757	C-R 710429	13816LPD	JN-MN 455297
136735H2	HOUGH 450082	13710	C-R 42763	13757	SKF 710429	1381798	VOLVO 710729
136735H2	HOUGH 473238	13710	DIA 471689	13758	C-R 43089S	13817986	VOLVO 710729
13673LPD	JN-MN 471689	13710	SKF 42763	13758	SKF 43089S	13824X	MASSE 470059
13674	IH 455330	13710204	TROS 471076	13759	C-R 223520	13824X	MASSE 470380
13676	C-R 473214	13711	C-R 204027	13759	NEWPR 341022	13829	JOHND 473473
13676	C-R 7495S	13711	SKF 204027	13759	SKF 223520	13831E	JOHND 415035
13676	SKF 473214	13712	C-R 710668	137592	US-EL 471647	13831E	JOHND 455035

INTERCHANGE SECTION

COMPETITIVE INTERCHANGES

Mfr No.	Mfr. National	Mfr No.	Mfr. National	Mfr No.	Mfr. National	Mfr No.	Mfr. National
138374H1	<i>HOUGH</i> 417535	13896	<i>HYST</i> 474265	13942	<i>C-R</i> 1108	13974	<i>SKF</i> 223580
13839	<i>C-R</i> 7687S	13896	<i>KEN</i> 415437	13942	<i>NEWPR</i> 9449	13978	<i>C-R</i> 1173
13839	<i>SKF</i> 7687S	13896	<i>SKF</i> 711027	13942	<i>SKF</i> 1108	13978	<i>SKF</i> 1173
138396H2	<i>IH</i> 2505	13897	<i>C-R</i> 710217	13943	<i>C-R</i> 3771	139790	<i>SCHWI</i> 470625V
13845	<i>C-R</i> 710178	13897	<i>SKF</i> 710217	13943	<i>SKF</i> 3771	13979SSW	<i>JN-MN</i> 200322
13845	<i>SKF</i> 710178	13899	<i>HOUGH</i> 417316	13944	<i>C-R</i> 223520	13981	<i>C-R</i> 710629
13845662	<i>JOY</i> 415138	13899	<i>HOUGH</i> 455004	13944	<i>SKF</i> 223520	13981	<i>SKF</i> 710629
1384746	<i>GMC</i> 6712NA	13899	<i>PUL</i> 412119	13945	<i>C-R</i> 223510	139822	<i>HYST</i> 340827
13849	<i>C-R</i> 1147	13899	<i>PUL</i> 450101	13945	<i>SKF</i> 223510	13985	<i>C-R</i> 3214
13849	<i>SKF</i> 1147	138PKG	<i>TIMKE</i> 138PKG	13946	<i>C-R</i> 710424	13985	<i>SKF</i> 3214
13851171	<i>JOY</i> 473210	138R	<i>TIMKE</i> 138PKG	13946	<i>SKF</i> 710424	139852	<i>HYST</i> 340847
13851172	<i>JOY</i> 416294	13900	<i>C-R</i> 323125	13947	<i>C-R</i> 3655	139866	<i>GOODM</i> 470163
13851173	<i>JOY</i> 415937	13900	<i>SKF</i> 323125	13947	<i>SKF</i> 3655	139866	<i>GOODM</i> 471766
13851174	<i>JOY</i> 415035	1390004002	<i>BORGW</i> 472189A	13949	<i>C-R</i> 223535	139866	<i>JEFF</i> 470163
13851174	<i>JOY</i> 415953	1390321	<i>CHRY</i> 410987	13949	<i>SKF</i> 223535	139866	<i>JEFF</i> 471766
13851175	<i>JOY</i> 415138	1390321	<i>CHRY</i> 450103	139499	<i>HYST</i> 476470	13987	<i>C-R</i> 3771
13851176	<i>JOY</i> 455576	13905	<i>GARLK</i> 3946	13951	<i>C-R</i> 223535	13987	<i>C-R</i> 710730
13851177	<i>JOY</i> 417362	13905	<i>NEWPR</i> 3946	13951	<i>SKF</i> 223535	13987	<i>SKF</i> 3771
13852LDS	<i>JN-MN</i> 472179	13906	<i>C-R</i> 450463	13952	<i>C-R</i> 710331	13987	<i>SKF</i> 710730
13853	<i>C-R</i> 4613N	13906	<i>SKF</i> 450463	13952	<i>SKF</i> 710331	139885	<i>JEFF</i> 415281N
13853	<i>SKF</i> 4613N	13907	<i>C-R</i> 710329	13953	<i>C-R</i> 4040N	139885	<i>SUL</i> 415281N
13857	<i>C-R</i> 1987	13907	<i>SKF</i> 710329	13953	<i>SKF</i> 4040N	139886	<i>JEFF</i> 470163
13857	<i>SKF</i> 1987	13908	<i>HOUGH</i> 416107	13954	<i>C-R</i> 223542	139886	<i>JEFF</i> 471766
13858	<i>C-R</i> 710138	13908	<i>HOUGH</i> 455073	13954	<i>C-R</i> 473823	139888	<i>JEFF</i> 415867
13858	<i>SKF</i> 710138	13911	<i>C-R</i> 710076	13954	<i>SKF</i> 223542	13990	<i>C-R</i> 8660S
13858LDS	<i>JN-MN</i> 415483	13911	<i>SKF</i> 710076	13954	<i>SKF</i> 473823	13990	<i>SKF</i> 8660S
13861	<i>C-R</i> 223540	13914LUP	<i>JN-MN</i> 471466	13954LPD	<i>JN-MN</i> 417486	13992	<i>C-R</i> 8660S
13861	<i>SKF</i> 223540	13916	<i>C-R</i> 472658	13955	<i>C-R</i> 9344S	13992	<i>SKF</i> 8660S
1386231	<i>GMC</i> 9613S	13916	<i>C-R</i> 473197	13955	<i>SKF</i> 9344S	139924	<i>US-EL</i> 415074
13865	<i>C-R</i> 450444	13916	<i>SKF</i> 472658	13956	<i>C-R</i> 8676S	139927	<i>US-EL</i> 415074
13865	<i>SKF</i> 450444	13916	<i>SKF</i> 473197	13956	<i>SKF</i> 8676S	13993	<i>C-R</i> 473823
13869	<i>C-R</i> 473214	13918	<i>C-R</i> 473197	139560	<i>JEFF</i> 416865	13993	<i>SKF</i> 473823
13869	<i>SKF</i> 473214	13918	<i>SKF</i> 473197	139560	<i>JEFF</i> 455070	13994	<i>C-R</i> 223543
1387134	<i>GMC</i> 5591	13920	<i>C-R</i> 473197	139561	<i>GOODM</i> 55030	13994	<i>SKF</i> 223543
13872	<i>KEN</i> 415001	13920	<i>SKF</i> 473197	139561	<i>JEFF</i> 55030	13995	<i>C-R</i> 710502
13872	<i>KEN</i> 455001	139224TB	<i>TRSCM</i> 8660S	13957	<i>C-R</i> 710331	13995	<i>SKF</i> 710502
13875	<i>C-R</i> 473258	13922LDS	<i>JN-MN</i> 473450	13957	<i>SKF</i> 710331	13998	<i>C-R</i> 223552
13875	<i>SKF</i> 473258	13924A	<i>HERCU</i> 450441	13959	<i>C-R</i> 710096	13998	<i>SKF</i> 223552
13876	<i>BU-SP</i> 417247	13924A	<i>HERCU</i> 471341	13959	<i>MASSE</i> 470120	13998F	<i>OSHKO</i> 415035
13876	<i>C-R</i> 473258	13925	<i>C-R</i> 473197	13959	<i>MASSE</i> 471224	13998F	<i>OSHKO</i> 415953
13876	<i>SKF</i> 473258	13925	<i>SKF</i> 473197	13959	<i>SKF</i> 710096	139PKG	<i>TIMKE</i> 139PKG
13878	<i>C-R</i> 471847N	13929	<i>C-R</i> 471105	13959A	<i>HERCU</i> 41264S	139R	<i>TIMKE</i> 139PKG
13878	<i>SKF</i> 471847N	13929	<i>SKF</i> 471105	13961	<i>C-R</i> 223543	13D19	<i>TLSMI</i> 416624N
1387OS	<i>JN-MN</i> 412027	13930	<i>C-R</i> 3655	13961	<i>SKF</i> 223543	14	<i>BL-KN</i> 471787
138802C1	<i>IH</i> J1125	13930	<i>SKF</i> 3655	13962	<i>C-R</i> 2007N	1409970846	<i>MERCE</i> 224250
138803C1	<i>IH</i> 415389N	13933	<i>C-R</i> 223520	13962	<i>SKF</i> 2007N	1400044001	<i>BORGW</i> 416239
13884	<i>C-R</i> 714436	13933	<i>SKF</i> 223520	13963	<i>C-R</i> 223540	1400044002	<i>BORGW</i> 410825
13884	<i>SKF</i> 714436	13934	<i>C-R</i> 450492	13963	<i>SKF</i> 223540	1400044008	<i>BORGW</i> 471766
13885	<i>C-R</i> 223520	13934	<i>SKF</i> 450492	13966	<i>C-R</i> 4901	1400044009	<i>BORGW</i> 473231
13885	<i>C-R</i> 710324	13936	<i>C-R</i> 450516	13966	<i>SKF</i> 4901	1400044010	<i>BORGW</i> 472473
13885	<i>SKF</i> 223520	13936	<i>SKF</i> 450516	13967	<i>C-R</i> 710424	1400044011	<i>BORGW</i> 416130
13885	<i>SKF</i> 710324	13937	<i>C-R</i> 470989	13967	<i>SKF</i> 710424	140007	<i>SCHWI</i> 471689
13888	<i>C-R</i> 4529N	13937	<i>SKF</i> 470989	13969	<i>C-R</i> 4901	14001933	<i>LF-PT</i> 471829
13888	<i>SKF</i> 4529N	139371	<i>US-EL</i> 473235	13969	<i>HYST</i> 470074	14002	<i>C-R</i> 710166
13892	<i>C-R</i> 450776	13938	<i>C-R</i> 223510	13969	<i>HYST</i> 474265	14002	<i>SKF</i> 710166
13892	<i>SKF</i> 450776	13938	<i>SKF</i> 223510	13969	<i>SKF</i> 4901	14002LDS	<i>JN-MN</i> 6879H
13893	<i>C-R</i> 223542	13939	<i>C-R</i> 1172	13970	<i>NEWPR</i> 473313	14003414	<i>GMC</i> 8871
13893	<i>SKF</i> 223542	13939	<i>SKF</i> 1172	13971	<i>C-R</i> 1173	14003417	<i>GMC</i> 8835S
13896	<i>C-R</i> 711027	13941	<i>C-R</i> 710051	13971	<i>SKF</i> 1173	14004	<i>C-R</i> 710343
13896	<i>HYST</i> 470074	13941	<i>SKF</i> 710051	13974	<i>C-R</i> 223580	14004	<i>SKF</i> 710343

INTERCHANGE SECTION

COMPETITIVE INTERCHANGES



Mfr No.	Mfr.	National	Mfr No.	Mfr.	National	Mfr No.	Mfr.	National	Mfr No.	Mfr.	National
14004804	TROS	471643	140233	GOODM	470548	14059	DGASK	3774	14100	MICH	6863S
14004805	TROS	471643	140233	GOODM	470625	14061	DGASK	3774	14100	UNIVE	6863S
14005	C-R	223601	140236	ALLCH	415196	14062X	MASSE	350954	14101	BENDI	471466
14005	SKF	223601	14024	C-R	710197	14062X	MASSE	470954	14101	CROSL	471466
14005003	TROS	481644	14024	SKF	710197	14066982	GMC	5697	14101	WOODB	417362
14005005	TROS	481644	1402443	CHRY5	6241S	14066E	MASSE	474278	14107	SCAN	239146
14005604	TROS	471646	1402618	CHRY5	6636S	14066E	MASSE	480356	1411035	WOOL	450352
14005605	TROS	471646	14027	C-R	710331	140688	CUMMI	470530	1411035	WOOL	472164
14005607	TROS	471646	14027	SKF	710331	14069008	GMC	5433	141119	HYST	417605
14006	C-R	710396	14028	C-R	710197	14069068	GMC	5433	14112	MICH	474277
14006	SKF	710396	14028	C-R	710199	1407167	CHRY5	471564	14112	UNIVE	474277
14006004	TROS	471647	14028	SKF	710197	14071721	GMC	710046	141149	HYST	417605
14006005	TROS	471647	14028	SKF	710199	140744	US-EL	416077	14115	C-R	223605
14007	C-R	710218	1403023	FMC	415007	14074833	GMC	4795V	14115	SKF	223605
14007	SKF	710218	1403023	FORD	415007	14075610	GMC	5072	14115134	CONTI	50445
14008	C-R	223602	1403031	FMC	411253	14076303	GMC	9845	14115A	MASSE	471651
14008	SKF	223602	1403031	FMC	450099	14076995	GMC	5699	14119	C-R	4857
14009	C-R	223605	14032	C-R	1940	14077041	GMC	710532	14119	SKF	4857
14009	SKF	223605	14032	C-R	224660	14077244	GMC	4307V	1412185	GMC	473212
14009612	GMC	710385	14032	SKF	1940	1407752	CHRY5	6597S	14125	C-R	710331
14010	C-R	223605	14032	SKF	224660	14079089	GMC	9316	14125	SKF	710331
14010	SKF	223605	14033	C-R	710343	140791	HOUGH	470120	141276H	IH	415137
14010004	TROS	470219	14033	SKF	710343	140791	HOUGH	471224	141276H	IH	418028
14010004	TROS	471649	14033199	GMC	9845	14079359	GMC	5072	14128LDS	JN-MN	455584
14010005	TROS	471649	140337	FORD	450194	14079467	GMC	3543	14129	C-R	710315
14010007	TROS	470219	140337	FORD	473010	14080587	GMC	2027	14129	SKF	710315
14010007	TROS	471649	14034495	GMC	224520	1408142	CHRY5	450066	141322	FORD	471762
140108045	TROS	471652	140359R91	IH	410496	1408142	CHRY5	473367	14136	SPICE	450067
14010805	TROS	471652	14039577	AA&M	223255	1408143	CHRY5	6879H	14136	SPICE	473228
14011	C-R	223605	14039577	GMC	223255	14083	WOODB	471424	1413635	GMC	473179
14011	SKF	223605	14039587	AA&M	710532	14084118	GMC	5697	14140	C-R	223520
14012	C-R	223608	14039587	GMC	710532	14084119	GMC	5698	14140	SKF	223520
14012	SKF	223608	14039587	SAAB	710532	14084120	GMC	5699	141507	ALLCH	415035
14012694	GMC	3896	14040	C-R	474288	14085829	GMC	4307V	141507	ALLCH	455035
14012754	GMC	3747	14040	SKF	474288	14086700	GMC	5697	14151	HYST	473467
14012967	GMC	710044	140408	ALLCH	450085	14087	C-R	4532N	141515HA	IH	323138
1401335	CHRY5	5414	140408	ALLCH	470530	14087	SKF	4532N	141515HB	IH	323138
1401336	CHRY5	5414	140420	ALLCH	415001	1408732	CHRY5	6835S	141516HA	IH	340400
14014	C-R	710818	140420	ALLCH	455001	14088556	GMC	4359V	141516HB	IH	340400
14014	SKF	710818	14042LPD	JN-MN	416664	14088559	GMC	4359V	14154LPD	JN-MN	472924
14015	DGASK	3655	14045	C-R	1965	14088560	GMC	4359V	1415976	GMC	473228
14015	HYST	340356	14045	SKF	1965	14088560	GMC	5274	1415976	MASSE	473228
14016	C-R	223608	14046	C-R	1965	14090906	GMC	710606	14166	C-R	223605
14016	SKF	223608	14046	SKF	1965	14091	DGASK	3771	14166	SKF	223605
1401691	BUC-E	472354	14046941	GMC	710171	14091422	GMC	473227V	141671	HYST	417603
1401691	BUC-E	50395S	14046972	CHRY5	5698	14092820	GMC	3667	14169	C-R	474288
14017	C-R	223608	14046972	GMC	5698	14092900	GMC	710479	14169	SKF	474288
14017	SKF	223608	14047298	GMC	3747	14095609	GMC	3173	14171	HYST	472560N
14018	C-R	223553	14050	C-R	4989	14095609	GMC	710928	14171	HYST	50151S
14018	SKF	223553	14050	SKF	4989	14095610	GMC	3946	141739	CUMMI	340797
14018STLPD	JN-MN	415227	14053338	GMC	9613S	14095611	GMC	341022	141743	CUMMI	2291
14019LUP	JN-MN	472299	14055	C-R	710057	14096051	GMC	4359V	141818	ALLCH	470163
14020	C-R	710197	14055	SKF	710057	14096052	GMC	4359V	141818	ALLCH	471766
14020	SKF	710197	14057	C-R	710057	140A10804	TROS	471652	14182FX	OSHKO	474278
14021	C-R	223540	14057	SKF	710057	140B04804	TROS	471643	14182X	MASSE	240119
14021	SKF	223540	140574	JEFF	412473	140B10804	TROS	471652	14188	WITTE	416273
14021077	GMC	5697	140574	JEFF	415894	140PKG	TIMKE	140PKG	1418889	GMC	450274
140227	GOODM	410825	14058	C-R	710252	140R	TIMKE	140PKG	14190	C-R	228009
140227	JEFF	472394	14058	SKF	710252	141	FMC	415836	14190	SKF	228009
140228	JEFF	410825	14058LUP	JN-MN	471224	141	FMC	415995	14191	CASE	J1105

INTERCHANGE SECTION

COMPETITIVE INTERCHANGES

Mfr No.	Mfr.	National	Mfr No.	Mfr.	National	Mfr No.	Mfr.	National	Mfr No.	Mfr.	National
1419512	GMC	6064	14262	C-R	473016	14381	SKF	4795V	144657	AM WH	473234
14198LUP	JN-MN	417602	14262	SKF	473016	14383	C-R	473226	14477	C-R	710355
141PKG	TIMKE	141PKG	14270	WHITE	415023	14383	SKF	473226	14477	SKF	710355
141R	TIMKE	141PKG	142708R91	IH	410737	14384	LEECE	471750	144886	JEFF	417351
14202	DGASK	223420	142708R91	IH	450737	14387	C-R	4795V	144886	JEFF	455154
14205	CASE	472041	14271LPD	JN-MN	417352	14387	SKF	4795V	1449	ALLCH	472394
14205	CASE	473454	14271LPD	JN-MN	418028	143873R91	IH	451143	14490LDS	JN-MN	455462
14209	C-R	340930	14272	DGASK	6936S	1439	ALOY	455086	14491	C-R	471405
14209	SKF	340930	14281	DGASK	4040N	14393	C-R	4795V	14491	SKF	471405
1420D	GOODM	450352	14282	C-R	473225	14393	DGASK	710332	14494	C-R	2003N
1420D	GOODM	472164	14282	SKF	473225	14393	SKF	4795V	14494	SKF	2003N
14210	C-R	321417N	14283	C-R	473225	14397	HOUGH	470565	14496	C-R	710302
14210	SKF	321417N	14283	SKF	473225	1439886	FORD	710790	14496	SKF	710302
14211	C-R	3395	14287	DGASK	320595	143990R91	IH	416956	144961	JEFF	473471
14211	SKF	3395	142917	US-EL	417258	143PKG	TIMKE	143PKG	144963	JEFF	410520
14213TB	TRSCM	473224	14293	DGASK	320595	143R	TIMKE	143PKG	144963	JEFF	471272
14214	C-R	3395	142981	US-EL	471868	144	C-R	710163	14497	DAVEY	450067
14214	SKF	3395	142C799	WABCO	470806	144	SKF	710163	14497	DAVEY	473228
142161	JEFF	471570	142K1	WHITE	323138	144002R91	IH	450070	14499	BU-SP	416167
14218521020	ALLCH	417481	142PKG	TIMKE	142PKG	144002R91	IH	472185	14499	BU-SP	455091
14223	C-R	473224	142R	TIMKE	142PKG	14404	C-R	473437	144A11604	TROS	474278
14223	SKF	473224	14301A	HERCU	450067	14404	SKF	473437	144A11604C	TROS	474278
14223	SPICE	5778	14301A	HERCU	473228	1440927	GMC	7038SA	144A11604C	TROS	6859S
142234	SPICE	5778	14302	SPICE	450083	144100	JEFF	450083	144PKG	TIMKE	144PKG
14223TB	TRSCM	473016	14302	SPICE	472924	144100	JEFF	472924	144R	TIMKE	144PKG
1422C	GOODM	450183	143040	HYST	415498	144101	JEFF	473215	14500	C-R	710228
1422C	GOODM	472179	14308	BU-SP	412943	14410405	TROS	470606	14500	SKF	710228
1422D	GOODM	450183	14316	DGASK	223420	14410406	TROS	470606	145000	MECH	370065A
1422D	GOODM	472179	14317C	DIA	450400	14410L	IH	470950	145000	MECH	376590A
142308	GABR	471344	14317F	DIA	6597S	14410L	IH	6241S	145000	MECH	380065A
14231HA	IH	472560N	14318X	MASSE	415960	14411205	TROS	470328	14502	C-R	224462
14231HA	IH	50151S	14318X	MASSE	455009	14411205	TROS	481213	14502	SKF	224462
142329H	IH	474278	143191VC	TRSCM	340930	14411206	TROS	470328	145029	JEFF	450389
142329H	IH	480356	143203TB	TRSCM	3395	14411206	TROS	481213	145029	JEFF	472492
142329HA	IH	340356	143224	BRCWY	470059	144112X07	TROS	474260	145029	SUL	450083
142331H	IH	472560N	143224	BRCWY	470380	14411604	TROS	474278	145029	SUL	472924
142331H	IH	50151S	14322X	MASSE	473212	14412	BU-SP	416154	1450316	CHRY5	6636S
142331HA	IH	472560N	143263TL	TRSCM	473437	1441256X1	MASSE	239146	14504	BU-SP	415995
142331HA	IH	50151S	143270	WHITE	415023	1441293X1	MASSE	224052	14504	BU-SP	455013
142333HA	IH	474276	143281	WHITE	473447	14412LDS	JN-MN	473213	14504	KOEH	415995
142333HB	IH	474276	143305TB	TRSCM	471405	144139C1	IH	417698	14504	KOEH	455013
14233TB	TRSCM	473225	14337	EATON	713750	144229	JEFF	471391	145074	JEFF	412473
14234	C-R	710760	14337	FULLE	713750	144229	SUL	471391	145074	JEFF	415894
14234	SKF	710760	14341H	IH	472397	14423	C-R	471862	14510	C-R	4989
1423404	GMC	450082	14341LPD	JN-MN	472826	14423	SKF	471862	14510	SKF	4989
1423404	GMC	473238	143473	ALLCH	473205	144260H	IH	470004	145103	JEFF	415371
14237LPD	JN-MN	455024	14351	HOUGH	441130	144302	ALLCH	470045	145107	JEFF	415995
1423RC	SUL	417172	143555	JEFF	456105	144302	ALLCH	476838	145107	JEFF	455013
142416	STUDE	473213	143575	US-EL	472324	14438LPD	JN-MN	416191	145108	JEFF	415371
1424334A	AUTSP	474276	143620	FWD	450185	14443LDS	JN-MN	415379	145108	SUL	415371
14243SB	TRSCM	474264	143620	FWD	473229	14443LDS	JN-MN	455379	14512	C-R	4890
14247	C-R	470672	14363	C-R	470062	14444LDS	JN-MN	415142	14512	SKF	4890
14247	DGASK	3476	14363	C-R	474264	1445023	BENDI	472070	145212	JEFF	470027
14247	SKF	470672	14363	SKF	470062	1445062	BENDI	240319	145212	JEFF	471554
1424B	GOODM	471984	14363	SKF	474264	144557	JEFF	415196	14528	JN5ON	471271
1424D	GOODM	473313	143697	JEFF	450316	14457	SPICE	450073	145383	JEFF	417171
14253SB	TRSCM	473226	143697	JEFF	472636	14458	C-R	470808	145384	JEFF	415021
1425501	AUTSP	481163	143699	JEFF	417316	14458	SKF	470808	145395	AU-WS	471735
14256	DGASK	3476	143699	JEFF	455004	144581	JEFF	417512	1454	ALOY	474134
142598	CUMMI	475004H	14381	C-R	4795V	144657	AM WH	450154	145400	MECH	370065A

INTERCHANGE SECTION

COMPETITIVE INTERCHANGES



Mfr No.	Mfr. National	Mfr No.	Mfr. National	Mfr No.	Mfr. National	Mfr No.	Mfr. National
145400	MECH 380065A	14641	C-R 473438	146A59	HEIL 470120	147305	BRCWY 473464
145416	JEFF 415072	14641	SKF 473438	146A59	HEIL 471224	14731	C-R 223840
145493	JEFF 471549	14643LPD	JN-MN 226020	146A6	HEIL 471571	14731	SKF 223840
1455257	GMC 470059	14644LPD	JN-MN 228010	146A60	HEIL 471466	14732	C-R 223842
1455257	GMC 470380	146458	HOUGH 473448	146A9	HEIL 471466	14732	SKF 223842
14557	SPICE 450073	146458H1	HOUGH 473448	146A92	HEIL 410316	14738	C-R 1038
14558	C-R 223750	146458H1	IH 473448	146A92	HEIL 472636	14738	SKF 1038
14558	SKF 223750	14646P1	STUDE 471750	146PKG	TIMKE 146PKG	1473807	FORD 711002
145585	JEFF 417191	146482	BRCWY 415458	146R	TIMKE 146PKG	1473814	GMC 5113
145588	BRCWY 415001	146482	BRCWY 455003	1470	SUPER 416339	14739	C-R 223843
145588	BRCWY 455001	1464RC	SUL 418028	1470	SUPER 455031	14739	SKF 223843
1456	ALLCH 472394	1464RC	SUL 455137	14700	C-R 710304	1474	ALOY 5698
14560	C-R 321417N	1465	CHEL 471529	14700	SKF 710304	14740	C-R 223843
14560	SKF 321417N	1465	SUPER 450067	147000	MECH 370036A	14740	SKF 223843
145655	MECH 370065A	1465	SUPER 473228	147000	MECH 370349A	147400	MECH 370036A
145655	MECH 376590A	14652	C-R 710426	147000	MECH 380036A	147400	MECH 370349A
145655	MECH 380065A	14652	SKF 710426	14701	C-R 223800	147400	MECH 380036A
14569	C-R 710426	146522	JEFF 417344	14701	SKF 223800	14747	C-R 710139
14569	SKF 710426	146522	JEFF 455006	14703	C-R 223801	14747	SKF 710139
145702	JEFF 415551	146522	SUL 417344	14703	SKF 223801	14748	C-R 1176
145752	HYST 471267	146522	SUL 455006	14704	C-R 1196	14748	SKF 1176
145753	HYST 471224	14655	C-R 710441	14704	SKF 1196	147529	JEFF 415711
14577LPD	JN-MN 224025	14655	SKF 710441	14705	C-R 710642	1475295	GMC 5113
145812	HOUGH 450867	14656	HEIL 50405	14705	SKF 710642	147537	ALLCH 473205
145812	HOUGH 470898	14657SS	JN-MN 472810	14707	C-R 223801	14754	CHAMP 471281
145812	IH 450867	1465861501	NISSA 221540	14707	SKF 223801	14758	C-R 1176
145812	IH 470898	146583	JEFF 415281N	14709	C-R 3357	14758	SKF 1176
145827H2	IH 473467	1466004	GMC 473231	14709	SKF 3357	14759	C-R 1120
14589	SPICE 40769S	14661	HEIL 471442	147091	BRCWY 456618	14759	SKF 1120
145PKG	TIMKE 145PKG	14666	HEIL 455290	14709A	MASSE 417493	147600	JEFF 472144
145R	TIMKE 145PKG	146672	JEFF 450025	14709X	MASSE 470169	14761	C-R 223800
146A153	HEIL 417134	146672	JEFF 471553	14709X	MASSE 473214	14761	SKF 223800
146A160	HEIL 450316	14671	C-R 223750	1471	ALOY 9864S	14762	C-R 710523
146A160	HEIL 472636	14671	SKF 223750	14710	C-R 239146	14762	SKF 710523
146A306	HEIL 472018	14671STLPD	JN-MN 417608	14710	SKF 239146	147621	JEFF 450301
146A322	HEIL 415196	146721	FUNK 412473	14712	C-R 4530	147621	JEFF 472397
1461	SUPER 450084	146721	FUNK 415894	14712	SKF 4530	147622	JEFF 415187
14613	HEIL 470120	14672LPD	JN-MN 471735	14713	C-R 223801	147622	SUL 415187
14613	HEIL 471224	146741	SPERY 471224	14713	SKF 223801	14763	C-R 223840
146139	US-EL 473225	1468	ALOY 4250	147148	BRCWY 415060	14763	SKF 223840
14614	AMC 411253	1468	HEIL 470045	14716	C-R 223802	14766	C-R 1177
14614	AMC 450099	1468	HEIL 476838	14716	SKF 223802	14766	SKF 1177
146163	BUSHH 204017	146855	BRCWY 416654	147178	BRCWY 415697	14767	C-R 1177
14618LDS	JN-MN 473228	146855	BRCWY 455012	147178	BRCWY 455547	14767	SKF 1177
14619	HEIL 412119	14691	C-R 239146	14719	C-R 223830	14768	C-R 1177
14619	HEIL 450101	14691	SKF 239146	14719	SKF 223830	14768	SKF 1177
14619LDS	JN-MN 472016	14694	C-R 710566	14720	C-R 223830	14772	C-R 223831
14620	HEIL 416476	14694	SKF 710566	14720	SKF 223830	14772	SKF 223831
14620	HEIL 455075	14695	C-R 223805	14721	C-R 710524	147765	JEFF 472299
14620LDS	JN-MN 415449	14695	SKF 223805	14721	SKF 223831	14780	C-R 8597S
14621LDS	JN-MN 472185	14699	HEIL 5827	14721	SKF 710524	14780	SKF 8597S
14626	HEIL 450291	146A33	HEIL 450593	147242	TLSMI 50266	14781LDS	JN-MN 416664
14626	HEIL 471141	146A34	HEIL 473215	14728E	MASSE 471442	14782	C-R 710479
146319	HEIL 455018	146A345	STN-S 472951	147297	JEFF 471571	14782	SKF 710479
146319	HEIL 476470	146A345	STN-S 474252	14730	C-R 223840	14787	C-R 710259
14634	C-R 710414	146A346	STN-S 470548	14730	SKF 223840	14787	SKF 710259
14634	SKF 710414	146A346	STN-S 470625	147300	MECH 370036A	14789	C-R 482415
14634LPD	JN-MN 415645	146A347	STN-S 471750	147300	MECH 370349A	14789	SKF 482415
14635	C-R 710441	146A5	HEIL 470004	147300	MECH 380036A	1479	ALOY 224520
146366	TLSMI 415449	146A57	HEIL 472397	147305	BRCWY 450095	14790	C-R 223801

INTERCHANGE SECTION

COMPETITIVE INTERCHANGES

Mfr No.	Mfr.	National	Mfr No.	Mfr.	National	Mfr No.	Mfr.	National	Mfr No.	Mfr.	National
14790	SKF	223801	14832	SKF	474276V	14886	C-R	473227V	14938	C-R	470625
147908H1	HOUGH	471466	1483758	CHRYS	8160S	14886	CLAYN	450076	14938	SKF	470625
1479396	GMC	451078	14840	C-R	40382	14886	CLAYN	470334	14939	C-R	331228H
14797LDS	JN-MN	470954	14840	C-R	443018	14886	SKF	473227V	14939	C-R	470625
14798	EATON	451143	14840	SKF	40382	14887	C-R	473227V	14939	C-R	5115
14798	FULLE	451143	14840	SKF	443018	14887	SKF	473227V	14939	SKF	331228H
147987	JEFF	415645	148415	JEFF	450352	148872HI	HOUGH	474276	14939	SKF	470625
147987	JEFF	455104	148415	JEFF	472164	1488883	GMC	9406S	14939	SKF	5115
147PKG	TIMKE	147PKG	1484523	CHRYS	474278	14889	C-R	710737	14940	C-R	331228H
147R	TIMKE	147PKG	1484523	CHRYS	6859S	14889	SKF	710737	14940	C-R	470625V
148004	FUNK	470625	148456	ALLCH	472012	1489	CHAMP	473227	14940	SKF	331228H
148036	ALLCH	471647	1484592	CHRYS	340797	1489	DOMIN	473227	14940	SKF	470625V
1480393	GMC	5589	1484597	CHRYS	240698	14891	C-R	710823	149400	MECH	370037A
14804	C-R	343099	14846	C-R	481163	14891	SKF	710823	149400	MECH	370338A
14804	SKF	343099	14846	C-R	6759S	148942	HOUGH	415035	14942	C-R	470625V
14805004	TROS	471337	14846	SKF	481163	148942	HOUGH	455035	14942	SKF	470625V
14805205	TROS	471686	14846	SKF	6759S	14896	C-R	6312	1494465	GMC	9406S
148057	JEFF	417343	14848	C-R	3677	14896	SKF	6312	14946	C-R	710547
14806LUP	JN-MN	471442	14848	C-R	41257	14898	CHAMP	410101N	14946	SKF	710547
14807	C-R	253099	14848	SKF	3677	148L	OSHKO	472439	1495	ALOY	3604
14807	SKF	253099	14848	SKF	41257	148PKG	TIMKE	148PKG	14950	C-R	710716
14808	C-R	343099	14849LPD	JN-MN	472164	148R	TIMKE	148PKG	14950	SKF	710716
14808	SKF	343099	148504	WEBER	416107	14900	C-R	7692S	149543	JEFF	416664
14810	C-R	343099	148504	WEBER	455073	14900	SKF	7692S	149543	JEFF	455364
14810	SKF	343099	14852	CHAMP	417484N	149000	MECH	370037A	149543	SUL	416664
14810004	TROS	471689	14852	CHAMP	475322N	149000	MECH	370338A	149543	SUL	455364
14810005	TROS	471689	14852	DOMIN	417484N	14903	C-R	480844	149552	JEFF	417598
14810007	TROS	471689	14852	DOMIN	475322N	14903	SKF	480844	149552	SUL	417598
14810009	TROS	471689	14854LPD	JN-MN	470774	149030R91	IH	100495	14958	C-R	710319
14810804	TROS	471692	14855	C-R	481163	149030R91	IH	415281N	14958	SKF	710319
14810805	TROS	471692	14855	SKF	481163	14904LDS	JN-MN	471766	14959LPD	JN-MN	415187
14810806	TROS	470189	14857	C-R	240319	14905LDS	JN-MN	472439	1495M5	WHITE	471570
14810806	TROS	471692	14857	SKF	240319	14907	C-R	50468	14960	C-R	340136
14810807	TROS	470189	148574H1	HOUGH	471649	14907	SKF	50468	14960	SKF	340136
14810807	TROS	471692	14858	C-R	1174	149105	JEFF	450519	1496010	SPICE	42763
14811006	TROS	471707N	14858	C-R	472466	149105	JEFF	471271	1496096	CHRYS	8160S
14811604	TROS	471413	14858	SKF	1174	14914	C-R	710713	1496123	GMC	2043
14811606	TROS	471413	14858	SKF	472466	14914	SKF	710713	1496175	GMC	9912
14812403	TROS	340853	1486096	CHRYS	8160S	14915	C-R	223801	14963	C-R	710715
14814	C-R	710531	14863	C-R	6545	14915	SKF	223801	14963	SKF	710715
14814	SKF	710531	14863	C-R	7537S	14915LPD	JN-MN	416666	149654	JEFF	471750
148150	HYST	55301S	14863	SKF	6545	14917	C-R	710139	149654	SUL	416892
148151	HYST	473467	14863	SKF	7537S	14917	SKF	710139	14966	C-R	340136
14816	C-R	42260S	14864	C-R	470451	149203TC	TRSCM	1174	14966	SKF	340136
14816	SKF	42260S	14864	C-R	480630	149206SLX	MICH	6312	14967L	IH	470088
14821	C-R	452554N	14864	C-R	480991	14921	C-R	710721	14968	C-R	9363S
14821	SKF	452554N	14864	SKF	470451	14921	SKF	710721	14968	SKF	9363S
14821LDS	JN-MN	415327	14864	SKF	480630	14922	C-R	471579	14969	C-R	40468
148223SB	TRSCM	50468	14864	SKF	480991	14922	SKF	471579	14969	SKF	40468
14824	C-R	474276	14869	C-R	240319	1493	BORGW	43089S	1496910	SPICE	42763
14824	SKF	474276	14869	SKF	240319	14934	C-R	710594	1496B	JN-MN	416154
1483	ALOY	4148	148720	ALLCH	471785	14934	SKF	710594	1496RC	SUL	416011
14831LDS	JN-MN	415007	14875	C-R	350394	149345R91	IH	340771	1496RC	SUL	417621
14832	C-R	1126	14875	C-R	473227	14935	C-R	331228H	14970	C-R	200859
14832	C-R	452554N	14875	SKF	350394	14935	SKF	331228H	14970	SKF	200859
14832	C-R	474276	14875	SKF	473227	14936	C-R	710613	14970LPD	JN-MN	473244
14832	C-R	474276V	14876	C-R	473227	14936	SKF	710613	14972	C-R	203013
14832	SKF	1126	14876	SKF	473227	149375R91	IH	473460	14972	SKF	203013
14832	SKF	452554N	14879	CHAMP	471442V	1493776	GMC	5109	14974	C-R	204013
14832	SKF	474276	14885	CLAYN	472924	1493778	GMC	5123	14974	SKF	204013

INTERCHANGE SECTION

COMPETITIVE INTERCHANGES



Mfr No.	Mfr. National	Mfr No.	Mfr. National	Mfr No.	Mfr. National	Mfr No.	Mfr. National
14975	C-R 204013	1500901	ITM 3771	1502009	ITM 716102	1523302	ITM 1217
14975	SKF 204013	1500903	ITM 1990	1502107	ITM 3476	1523303	ITM 1217
14975LPD	JN-MN 472164	1500907	ITM 320595	1502301	ITM 224250	1523306	ITM 473455
14978	C-R 2194	1500908	ITM 710332	1502304	ITM 223802	1524008	ITM 224820
14978	C-R 7692S	1500910	ITM 228009	1502305	ITM 224250	1524201	ITM 451948
14978	SKF 2194	1500913	ITM 1120	1502307	ITM 473823	1526301	ITM 473230
14978	SKF 7692S	1500916	ITM 712008	1502503	ITM 3909	1529303	ITM 482126
14979	C-R 712023	1500919	ITM 711181	1502902	ITM 224520	1530010	ITM 1974
14979	SKF 712023	1501000	ITM 223802	1503102	ITM 223050	1530101	ITM 473812
14979	SPICE 473441	1501001	ITM 228008	1503104	ITM 710331	1530102	ITM 6712NA
1497OS	JN-MN 416865	1501004	ITM 711181	1503313	ITM 224840	1530301	ITM 3195
14981LPD	JN-MN 471551	1501009	ITM 3771	1504017	ITM 710271	1530503	ITM 710329
14982	C-R 5201	1501105	ITM 227020	1504018	ITM 223800	1531101	ITM 1188
14982	C-R 5202	1501106	ITM 229005	1504302	ITM 710056	1531302	ITM 224015
14982	SKF 5201	1501107	ITM 223420	1505602	ITM 50266	1531504	ITM 1956
14982	SKF 5202	1501110	ITM 8316	1505603	ITM 472164	1532010	ITM 1174
14984	FBG 223020	1501112	ITM 223012	1506101	ITM 713771	1532010	ITM 224015
149848	FORD 204017	1501114	ITM 223420	1506102	ITM 228480	1532501	ITM 3395
14985	FBG 710790	1501116	ITM 3909	1506301	ITM 224025	1534011	ITM 1960
14992	C-R 470380V	1501119	ITM 223012	1506303	ITM 223035	1534203	ITM 470898
14992	SKF 470380V	1501120	ITM 228250	1506307	ITM 494117	1534203	ITM 473234
14994	C-R 470380V	1501123	ITM 224840	1507801	ITM 2955	1535602	ITM 471870
14994	SKF 470380V	1501124	ITM 229005	1507802	ITM 3909	1535603	ITM 350936
149PKG	TIMKE 149PKG	1501125	ITM 224660	1508301	ITM 1953	1535604	ITM 340823
149R	TIMKE 149PKG	1501126	ITM 1940	1508307	ITM 228010	1535609	ITM 710058
15	WGEAR 455134	1501127	ITM 1019	1508502	ITM 3771	1536303	ITM 223535
1500005	ITM 228020	1501301	ITM 223831	1508506	ITM 710302	1536304	ITM 224235
1500106	ITM 9845	1501302	ITM 1021V	1508507	ITM 223010	1539307	ITM 473238
1500107	ITM 3698	1501303	ITM 1038	1508510	ITM 223005	1539818	ITM 320595
1500108	ITM 224052	1501304	ITM 1019	1509106	ITM 331227H	1540101	ITM 474133
1500109	ITM 228700	1501305	ITM 222340	1509300	ITM 1108	1540509	ITM 1167
1500112	ITM 1981	1501306	ITM 710233	1509303	ITM 229210	1544017	ITM 1965
1500120	ITM 223220	1501308	ITM 223230	1509306	ITM 710190	1545605	ITM 451857
1500121	ITM 3476	1501311	ITM 1038	1509308	ITM 710190	1550301	ITM 1196
1500302	ITM 473237	1501500	ITM 716102	1509312	ITM 321460	1552301	ITM 1974
1500303	ITM 227235	1501502	ITM 227550	1509313	ITM 223601	1554002	ITM 450154
1500304	ITM 3771	1501505	ITM 227045	1509806	ITM 228010	1554019	ITM 473234
1500307	ITM 224840	1501506	ITM 223840	1509813	ITM 227040	1558001	ITM 1174
1500308	ITM 228005	1501513	ITM 223235	1509815	ITM 228010	1559807	ITM 1994
1500311	ITM 473237	1501514	ITM 1987	1509816	ITM 472439	1559807	ITM 710313
1500313	ITM 223750	1501518	ITM 1994	1509830	ITM 5108	1591402	ITM 1962
1500315	ITM 712001	1501520	ITM 221820	1509907	ITM 224252	15A74	MINNM 470045
1500319	ITM 228005	1501523	ITM 228013	1509908	ITM 227040	15A74	MINNM 476838
1500321	ITM 222820	1501524	ITM 1953	1511505	ITM 222025	15JG17	KEN 456744N
1500322	ITM 3459	1501526	ITM 223802	1513501	ITM 224200	15M36	SPICE 471272
1500323	ITM 228005	1501528	ITM 224020	1520003	ITM 224820	1500031	EATON 473436
1500324	ITM 3655	1501530	ITM 223802	1520006	ITM 1992	15000581	CORTE 223020
1500502	ITM 712006	1501532	ITM 224205	1520101	ITM 1949	15000581B	CORTE 223020
1500505	ITM 223340	1501533	ITM 229210	1520300	ITM 225875	1500080M1	MASSE 412473
1500506	ITM 228410	1501534	ITM 231004	1520301	ITM 225010	1500080M1	MASSE 415894
1500507	ITM 223602	1501536	ITM 231004	1520302	ITM 494122	1500081M1	MASSE 450446
1500508	ITM 228009	1501552	ITM 710187	1520303	ITM 229522	15001000	AJUSA 221540
1500514	ITM 224020	1501901	ITM 225020	1520501	ITM 1188	15001600	AJUSA 221710
1500518	ITM 223420	1501904	ITM 710060	1520502	ITM 1183	15001700	AJUSA 221720
1500519	ITM 224052	1501906	ITM 712005	1520509	ITM 2002	15002200	AJUSA 222025
1500520	ITM 228410	1501908	ITM 224205	1520511	ITM 1986	15002300	AJUSA 222030
1500524	ITM 224650	1501917	ITM 3476	1521501	ITM 224015	15002800	AJUSA 222050
1500525	ITM 710313	1501937	ITM 222340	1521502	ITM 1950	15003	HYST 410190
1500803	ITM 222025	1502000	ITM 3476	1522303	ITM 472213	150030	HYST 410190
1500900	ITM 710331	1502007	ITM 226020	1522502	ITM 1209	150030	STUDE 5MR71

INTERCHANGE SECTION

COMPETITIVE INTERCHANGES

Mfr No.	Mfr.	National	Mfr No.	Mfr.	National	Mfr No.	Mfr.	National	Mfr No.	Mfr.	National
15003200	AJUSA	5699	15012	SKF	480210	15018900	AJUSA	473560N	150257M1	MASSE	450069
15003600	AJUSA	22240	15012000	AJUSA	223420	15018900	AJUSA	5613	150257M1	MASSE	473232
1500381	FRKLN	370043A	1501214	FRKLN	417278	1501902	ITM	228480	15026000	AJUSA	8316
15004	C-R	470059	1501229	MASSE	450154	1501903	ITM	228480	15026200	AJUSA	710190
15004	C-R	470380	1501229	MASSE	473234	15019100	AJUSA	3774	15026500	AJUSA	225450
15004	NATL	417316	1501229M1	MASSE	450154	150192	WAUKE	470358	15026700	AJUSA	710279
15004	SKF	470059	1501229M1	MASSE	473234	150192	WAUKE	473231	15026900	AJUSA	710279
15004	SKF	470380	1501230M1	MASSE	471765	15019300	AJUSA	224235	15027000	AJUSA	225535
15004000	AJUSA	222340	15012500	AJUSA	1172	1501931M1	MASSE	6186	1502703	FRKLN	413247
15004400	AJUSA	712007	15012600	AJUSA	1108	150194	HYST	415867	1502708	FRKLN	472185
1500449	FRKLN	472924	15012624	CORTE	710190	15019600	AJUSA	1953	15027100	AJUSA	225535
150046	JEFF	455191	15012624B	CORTE	710190	1501977	FRKLN	415147	15027200	AJUSA	225535
1500474	FRKLN	473237	15012700	AJUSA	320249	1501977	FRKLN	415449	15027300	AJUSA	225545
15004804	TROS	471684	15012800	AJUSA	223602	15019800	AJUSA	1953	15027800	AJUSA	712250
15004804	TROS	471698	15012900	AJUSA	3771	15019900	AJUSA	1953	15027932	CORTE	713771
15005	C-R	470380	15012968	GMC	370001A	1501K	AU-WS	470120	15027932B	CORTE	713771
15005	SKF	470380	15012968	GMC	380001A	1501K	AU-WS	471224	15028	FAIRB	471570
1500510	ITM	710415	15013000	AJUSA	223520	1502	STEM	370003A	15028	GOODM	471570
15005300	AJUSA	710399	15013100	AJUSA	710329	1502	STEM	370005A	15028700	AJUSA	710271
15005500	AJUSA	222743	15013200	AJUSA	3771	1502	STEM	370006A	1502929	CHRYL	410308
15006000	AJUSA	222820	15013300	AJUSA	3771	1502	STEM	380003A	15029400	AJUSA	226020
15006100	AJUSA	710325	15013400	AJUSA	710329	15020200	AJUSA	224252	15029500	AJUSA	712006
15006200	AJUSA	712008	15013600	AJUSA	3771	150202SC	TRSCM	240319	1502961	FRKLN	470565
15006700	AJUSA	222860	15013700	AJUSA	3771	15020300	AJUSA	710403	15029800	AJUSA	3393
15007008	GMC	710568	15013800	AJUSA	223535	15020400	AJUSA	224255	1502OS	JN-MN	415072
15007500	AJUSA	320595	15014000	AJUSA	223542	15020500	AJUSA	224266	1503	STEM	370065A
15008000	AJUSA	1129	15014000	AJUSA	4530	15020700	AJUSA	224465	1503	STEM	370107A
15008100	AJUSA	223005	15014100	AJUSA	229005	15020LPD	JN-MN	472020	1503	STEM	380065A
1500811	ITM	710424	15014200	AJUSA	223550	1502109	FRKLN	370121A	15030	GEHL	471571
15008200	AJUSA	223010	150148	JEFF	417498	15021100	AJUSA	224510	1503016M2	MASSE	414268
15008300	AJUSA	5601	15015300	AJUSA	710613	15021900	AJUSA	1992	1503017M1	MASSE	415137
1500845	FRKLN	8907	15015400	AJUSA	1174	15022	C-R	331228H	1503017M1	MASSE	418028
15008600	AJUSA	223012	1501562	ITM	710465	15022	SKF	331228H	1503042	FRKLN	417040
15008800	AJUSA	1981	1501566	CHRYL	6781	15022200	AJUSA	710289	15031	C-R	710691
15008900	AJUSA	223018	150158	HYST	470077	15022300	AJUSA	710289	15031	SKF	710691
15009000	AJUSA	712001	150158	HYST	474281	15022400	AJUSA	710289	15031400	AJUSA	712005
15009100	AJUSA	223020	15015800	AJUSA	223831	150225R1	SELAS	5115	15031500	AJUSA	226530
150092	WAUKE	470548	15015834	CORTE	710550	15022800	AJUSA	710289	15032	C-R	40059S
150092	WAUKE	470625	15015834B	CORTE	710550	150233SP	TRSCM	7692S	15032	SKF	40059S
150093	WAUKE	450441	15015LPD	JN-MN	415551	15023400	AJUSA	1973	15032100	AJUSA	710334
150093	WAUKE	471341	15016100	AJUSA	710318	15023500	AJUSA	716484	15032200	AJUSA	712511
15009600	AJUSA	223050	15016200	AJUSA	710318	15023600	AJUSA	1973	15032600	AJUSA	1021V
15009700	AJUSA	223035	15016300	AJUSA	710196	15023900	AJUSA	710580	15032800	AJUSA	227020
15009800	AJUSA	223035	15016600	AJUSA	5521	15024	GOODM	471567	15032900	AJUSA	227040
1501	GOODM	470120	15016800	AJUSA	710308	15024000	AJUSA	224840	15033000	AJUSA	227040
1501	GOODM	471224	15016900	AJUSA	224052	15024100	AJUSA	710255	15033100	AJUSA	227040
1501	STEM	370023A	15017000	AJUSA	224015	15024200	AJUSA	224874	15033400	AJUSA	227045
1501	STEM	370024A	15017000	CORTE	712449	15024800	AJUSA	710354	15033500	AJUSA	227045
15010000	AJUSA	710824	15017000B	CORTE	712449	15024900	AJUSA	225010	15033800	AJUSA	227235
15010100	AJUSA	223220	15017200	AJUSA	473677	15024LDS	JN-MN	416394	15033900	AJUSA	227409
15010400	AJUSA	223235	15017500	AJUSA	224025	15025	C-R	481568	15034400	AJUSA	227550
15010500	AJUSA	223420	15017600	AJUSA	224026	15025	SKF	481568	15034500	AJUSA	227550
15010600	AJUSA	710310	15017800	AJUSA	5604	15025000	AJUSA	225020	15034600	AJUSA	227550
15010800	AJUSA	3476	15018	NATL	476470	1502533M1	MASSE	473238	15034700	AJUSA	227550
15010900	AJUSA	3476	15018100	AJUSA	5521	1502534M1	MASSE	450316	15034800	AJUSA	1019
15011000	AJUSA	223240	15018200	AJUSA	224040	1502534M1	MASSE	472636	1503490M1	MASSE	240151
15011250	CORTE	3774	15018287	CORTE	710790	1502537M1	MASSE	450069	15035028	CORTE	710465
15011250B	CORTE	3774	15018287B	CORTE	710790	1502537M1	MASSE	473232	15035028B	CORTE	710465
15011700	AJUSA	223340	15018300	AJUSA	224040	1502538M1	MASSE	450446	15035600	AJUSA	228005
15012	C-R	480210	15018800	AJUSA	3051N	15025600	AJUSA	225040	15035700	AJUSA	228008

INTERCHANGE SECTION

COMPETITIVE INTERCHANGES



Mfr No.	Mfr.	National	Mfr No.	Mfr.	National	Mfr No.	Mfr.	National	Mfr No.	Mfr.	National
15035800	AJUSA	228009	15047	C-R	4583	1505RC	SUL	455006	15085000	AJUSA	223750
15036100	AJUSA	228009	15047	SKF	4370N	15060100	AJUSA	228411	15085100	AJUSA	711007
15036200	AJUSA	228009	15047	SKF	4583	150604	OLIVE	417267	15086000	AJUSA	710859
15036400	AJUSA	228010	1504716	FRKLN	416624	15060500	AJUSA	710521	15086100	AJUSA	710819
15036500	AJUSA	228020	15047300	AJUSA	710332	15060600	AJUSA	710520	15086200	AJUSA	710472
15037000	AJUSA	228480	15047400	AJUSA	228015	1506224M1	MASSE	340823	15087	EATON	415991
15037100	AJUSA	228480	1504754M1	MASSE	471192	15062600	AJUSA	710711	15087	EATON	415991N
15037300	AJUSA	228250	1504755M1	MASSE	473234	15062700	AJUSA	710794	15087	FULLE	415991
15037500	AJUSA	228410	15047800	AJUSA	224252	150628H1	IH	471766	15087	FULLE	415991N
15037600	AJUSA	228480	15048500	AJUSA	223750	15063000	AJUSA	710553	15087000	AJUSA	3476
15037700	AJUSA	710765	15048600	AJUSA	710894	15063100	AJUSA	710676	15087700	AJUSA	710786
1503776	FRKLN	413248	15048800	AJUSA	710233	15063200	AJUSA	710465	15088400	AJUSA	710849
1503778	FRKLN	470565	15048900	AJUSA	710234	15063300	AJUSA	224020	15088800	AJUSA	710279
1503779	FRKLN	470565	15048X	MASSE	450765	15063600	AJUSA	710713	15089500	AJUSA	711181
15037900	AJUSA	716102	15049000	AJUSA	223230	15063900	AJUSA	711005	15089600	AJUSA	710614
15038000	AJUSA	716102	15049100	AJUSA	710236	15064200	AJUSA	710451	15089LPD	JN-MN	227550
15038100	AJUSA	716102	15049200	AJUSA	710235	15065180	GMC	370211A	1509	STEM	370030A
15038400	AJUSA	710232	15049300	AJUSA	710189	15065LUP	JN-MN	442874	15090700	AJUSA	710799
15038500	AJUSA	228700	15049400	AJUSA	710644	15067325	GMC	710466	15091300	AJUSA	221820
15038600	AJUSA	3772	15049500	AJUSA	716102	15067LUP	JN-MN	416167	15091400	AJUSA	710674
15038700	AJUSA	3772	15049600	AJUSA	710187	15068000	AJUSA	231003	15092	C-R	471344
15038900	AJUSA	710237	15049700	AJUSA	1120	1506RC	SUL	415995	15092	SKF	471344
15039	C-R	470059	1504RC	SUL	415035	1506RC	SUL	455013	15092200	AJUSA	710237
15039	C-R	470380	1504RC	SUL	455035	1507	STEM	370036A	15092600	AJUSA	710707
15039	SKF	470059	15050200	AJUSA	223802	1507	STEM	370349A	15093	C-R	471344
15039	SKF	470380	15050200	AJUSA	710834	1507	STEM	380036A	15093	SKF	471344
15039000	AJUSA	229005	1505044	MASSE	450269	15070LPD	JN-MN	417533	15093000	AJUSA	710621
150392	WAUKE	470059	150511R91	IH	40316S	15072STLUP	JN-MN	415076	15093100	AJUSA	711001
150392	WAUKE	470380	15051400	AJUSA	710331	15074000	AJUSA	710610	15093600	AJUSA	710789
15039200	AJUSA	229005	15051500	AJUSA	710436	15074100	AJUSA	710332	15093900	AJUSA	710887
15039300	AJUSA	229005	15051800	AJUSA	710526	15074500	AJUSA	710608	15094200	AJUSA	710849
15039400	AJUSA	229005	15051900	AJUSA	710611	15074800	AJUSA	712009	15094500	AJUSA	710850
1503967	FRKLN	471272	1505191	BORGW	441148	15075600	AJUSA	713771	150951	JEFF	417362
15039800	AJUSA	710288	15052000	AJUSA	2012V	15075800	AJUSA	482041N	15095800	AJUSA	710674
15039900	AJUSA	710288	15052100	AJUSA	1019	15075900	AJUSA	3909	15096500	AJUSA	710935
1503OS	JN-MN	416229	15052500	AJUSA	710264	15076	C-R	7886S	150967	JEFF	471103
1504	STEM	370025A	1505258M1	MASSE	470543	15076	SKF	7886S	150967	JEFF	50197S
1504	STEM	380025A	1505258M1	MASSE	474272	15076LDS	JN-MN	417602	15099LUP	JN-MN	471192
1504	STEM	386025A	15052700	AJUSA	710767	15078300	AJUSA	710897	150PKG	TIMKE	150PKG
15040000	AJUSA	710803	15052800	AJUSA	710356	15078400	AJUSA	710642	150R	TIMKE	150PKG
15040100	AJUSA	717005	15053	SIDEW	415379	15078700	AJUSA	710886	151500	ELRNG	228410
15040500	AJUSA	4359V	15053	SIDEW	455379	15079	TMTR	471466	1510	STEM	370037A
15040600	AJUSA	710060	15053200	AJUSA	712008	1508	STEM	370019A	1510	STEM	370338A
15041	C-R	9613S	1505328M1	MASSE	471442	15080	C-R	40063S	1510	STEM	380023A
15041	SKF	9613S	15053400	AJUSA	224053	15080	SKF	40063S	15100	MICH	320457
15041300	AJUSA	710290	150539	AMC	472560N	15080200	AJUSA	712692	15100	UNIVE	320457
1504180	FRKLN	412920	150539	AMC	50151S	15080700	AJUSA	710790	1511	STEM	370022A
1504210M1	MASSE	40566S	15054	C-R	5200	15080800	AJUSA	710669	1511	STEM	380022A
15043500	AJUSA	223230	15054	SKF	5200	15081500	AJUSA	710788	1511035	C-W	415725
15043700	AJUSA	222540	15054100	AJUSA	710790	15081800	AJUSA	223020	1511035	WOOL	415725
15044200	AJUSA	225020	15054232	GMC	370212A	15082400	AJUSA	716484	15112	MICH	470004
150446	JEFF	415263	15054900	AJUSA	711002	15082500	AJUSA	229005	15112	UNIVE	470004
15044600	AJUSA	224462	15054LPD	JN-MN	3476	15082600	AJUSA	710785	1512	ALLCH	470163
15044700	AJUSA	224460	15055900	AJUSA	1038	15082700	AJUSA	229005	1512	ALLCH	471766
15044800	AJUSA	224250	15056100	AJUSA	710531	150833M1	MASSE	415991	1512	TRAC	470163
15045000	AJUSA	710550	15056500	AJUSA	710620	150833M1	MASSE	455146	1512	TRAC	471766
15045100	AJUSA	224650	15059000	AJUSA	320348	15083600	AJUSA	224200	15120	C-R	473228
15045700	AJUSA	710415	15059100	AJUSA	710056	15084000	AJUSA	710761	15120	C-R	51098
15045900	AJUSA	223520	15059700	AJUSA	710860	15084500	AJUSA	710289	15120	SKF	473228
15047	C-R	4370N	1505RC	SUL	417344	15084600	AJUSA	710813	15120	SKF	51098

INTERCHANGE SECTION

COMPETITIVE INTERCHANGES

Mfr No.	Mfr.	National	Mfr No.	Mfr.	National	Mfr No.	Mfr.	National	Mfr No.	Mfr.	National
15128	C-R	710540	151982KBJ	TRSCM	3677	1522T2	WHITE	450308	15277770	SAAB	7013S
15128	SKF	710540	15198LPD	JN-MN	473229	15230	C-R	474281	15278	CHAMP	370054A
15133	C-R	4934	151PKG	TIMKE	151PKG	15230	SKF	474281	152833TB	TRSCM	471915
15133	SKF	4934	151R	TIMKE	151PKG	1523102	ITM	1012N	152848	HYST	417488
151371R91	IH	7581H	1520103	ITM	471950	1523301	ITM	1213N	152857	HYST	415303
15138	C-R	473228V	15202SP	TRSCM	224015	15233VHY	TRSCM	204013	152863	HYST	416278
15138	SKF	473228V	15202VB	TRSCM	240319	15234	C-R	471915	15286593	GMC	710548
151400	MECH	370002A	15203SP	TRSCM	1217	15234	SKF	471915	152877	JEFF	450066
1514014	ITM	471224	15203TB	TRSCM	481163	15234VB	TRSCM	203013	152877	JEFF	473367
15141	C-R	450067	15203TB	TRSCM	6759S	15235	C-R	450523	15287A	MASSE	450115
15141	C-R	481837	15204	C-R	450984	15235	SKF	450523	15287A	MASSE	473467
15141	SKF	450067	15204	SKF	450984	152372VH	TRSCM	40059S	152883	HYST	416888
15141	SKF	481837	1520503	ITM	1174	152373TB	TRSCM	470380	152885	HYST	415725
151417	AM WH	417596	152062VB	TRSCM	7537S	152373TB	TRSCM	470380V	152886	HYST	J1136
15141LDS	JN-MN	415035	152063SB	TRSCM	480630	152373VTB	TRSCM	470059	15292	C-R	710318
15141LDS	JN-MN	415953	152063SB	TRSCM	480991	152374TBP	TRSCM	472189A	15292	SKF	710318
15142	C-R	473228	152069	ADAMS	416654	152374TBP	TRSCM	9613S	1529304	ITM	224045
15142	C-R	51098	152069	ADAMS	455012	152375SA	TRSCM	410059	152934	HOUGH	450867
15142	SKF	473228	152069	WABCO	416654	152375SA	TRSCM	470059	152934	HOUGH	470898
15142	SKF	51098	152069	WABCO	455012	1523D	GOODM	450082	152934H1	HOUGH	450867
15143LDS	JN-MN	470077	15206SG	TRSCM	480630	1523D	GOODM	473238	152934H1	HOUGH	470898
15143LDS	JN-MN	474281	15207	AIRCO	470163	15242	DAVIS	200338	152953	US-EL	472070
1515	STEM	370031A	15207	AIRCO	471766	15240	C-R	450326	15298	C-R	710338
1515	STEM	380031A	15207	C-R	470487N	15240	SKF	450326	15298	SKF	710338
15153LPD	JN-MN	417350	15207	SKF	470487N	1524018	ITM	1174	1529A	WAYNE	470347
1516	STEM	370069A	15208962	GMC	710466	15241	C-R	471958	1529A	WAYNE	474254
1516	STEM	380069A	15209	C-R	450984	15241	SKF	471958	152PKG	TIMKE	152PKG
15165	C-R	710673	15209	SKF	450984	152427	FUNK	450067	152R	TIMKE	152PKG
15165	SKF	710673	15209	SPICE	415001	152427	FUNK	473228	15312404	TROS	323138
1516570010	TOYOT	221820	15209	SPICE	455001	15242VB	TRSCM	40063S	15300	C-R	321416
1516574020	TOYOT	221820	1521103	ITM	1213N	15243SB	TRSCM	471820	15300	SKF	321416
1516574040	TOYOT	221820	152128	AM WH	455194	152443TL	TRSCM	471344	153002	WAUKE	471466
1516588382	TOYOT	221820	15213TB	TRSCM	470394	152468	JEFF	416011	15302	C-R	223830
1517	STEM	370021A	15213TB	TRSCM	473227	152468	JEFF	417621	15302	SKF	223830
15171LDS	JN-MN	416381	15213TEB	TRSCM	473227	152469	JEFF	416125	153032	ALLCH	415960
1517230	OSHKO	416888	15213VTB	TRSCM	473227V	1524D	GOODM	450084	153032	ALLCH	455009
15174	C-R	200861	15214	C-R	473440	15250	MURRA	417316	15303TB	TRSCM	471958
15174	SKF	200861	15214	SKF	473440	152505SA	TRSCM	450185	15304804	TROS	473406
15174535	GMC	370199A	1521506	ITM	225020	15252	JA-MI	6283S	15305607	TROS	471137
15174LPD	JN-MN	416500	152205	JOHND	5778	15252	JAE	6283S	15306	C-R	710532
15176	C-R	410190	152218	OLIVE	472144	152536	JEFF	473235	15306	SIDEW	204017
15176	SKF	410190	152223TB	TRSCM	480844	15253SB	TRSCM	481837	15306	SKF	710532
151818	BRCWY	450400	152225VL	TRSCM	40438S	15253TB	TRSCM	473228	153097	WAUKE	417546
15182TB	TRSCM	253099	15222VHY	TRSCM	340136	152542	JEFF	416271	15310	C-R	710123
15182VB	TRSCM	343099	1522301	ITM	227040	15255SA	TRSCM	450067	15310	SKF	710123
15185	OLIVE	450083	15223TB	TRSCM	470625	1525601	ITM	1213N	15310007	TROS	450593
15185	OLIVE	472924	15223VTB	TRSCM	470625V	152563TB	TRSCM	410190	15310407	TROS	450043
151876	WAUKE	471413	152257	ALLCH	416865	152565TA	TRSCM	410190	15310407	TROS	473419
151879	WAUKE	471413	152257	ALLCH	455070	1526103	ITM	224100	15310607	TROS	450044
151890	BRCWY	323138	152264TA	TRSCM	9363S	152623TB	TRSCM	470682	15310805	TROS	476838
15190	C-R	41461S	152270	JEFF	417490	15262VH	TRSCM	41461S	15310807	TROS	470045
15190	SKF	41461S	152275SH	TRSCM	8940S	1526302	ITM	472213	15310807	TROS	476838
15191VB	TRSCM	40382	152283	JEFF	417073	15263SL	TRSCM	451857	15311007	TROS	450482
15192TB	TRSCM	474276	1522B	GOODM	450117	15264SP	TRSCM	8610	153114	JEFF	471466
15193	SIDEW	204029	1522B	GOODM	472572	15270	C-R	710247	153115	JEFF	413247
15193	SIDEW	204507	1522D	GOODM	450117	15270	SKF	710247	153115	JEFF	450350
151932VB	TRSCM	443018	1522D	GOODM	472572	15273SB	TRSCM	473440	153116	JEFF	416163
15194	C-R	451857	1522T2	DIA	410308	15275TC	TRSCM	470077	153117	JEFF	416666
15194	SKF	451857	1522T2	DIA	450308	152772	AM WH	416149	153119	HYST	473236
151962R91	IH	7581H	1522T2	WHITE	410308	15277770	GMC	7013S	15312	C-R	710122

INTERCHANGE SECTION

COMPETITIVE INTERCHANGES



Mfr No.	Mfr. National	Mfr No.	Mfr. National	Mfr No.	Mfr. National	Mfr No.	Mfr. National
15312	SKF 710122	15382	NEWPR 710928	1545162	STUDE 470380	15507089	GMC 380048A
15312406	TROS 323138	15382	SKF 710211	1545163	STUDE 410059	155079	BENDI 455079
153128H1	HOUGH 455509	15382	SKF 712011	1545163	STUDE 470380	15508LUP	JN-MN 223035
153139	US-EL 470565	15388	SIDEW 473367	1545164	STUDE 473234	15509	C-R 7994S
15315	C-R 8610	1538D5	WHITE 473203	15451LPD	JN-MN 471645	15509	SKF 7994S
15315	C-R 8611N	1538F	ALOY 6815	15457LPD	JN-MN 412861	1550929	CHRY5 8160S
15315	NPG 3946	1538OS	JN-MN 417269	15460	C-R 8695S	1550988	CLARK 450183
15315	SKF 8610	1539027	ONAN 205017	15460	SKF 8695S	1550988	CLARK 472179
15315	SKF 8611N	1539027	STUDE 205017	1546109	STUDE 7013S	1550989	CLARK 413247
1531501	ITM 1180	15394	C-R 710711	154615H1	IH 410308	1550989	CLARK 450350
15324	C-R 710486	15394	SKF 710711	154615H1	IH 473468	1550990	CLARK 416282
15324	SKF 710486	1539675	FMC 327303	15462	C-R 4244	1550992	CLARK 417353
15325	BORGW 414045	1539676	FMC 417551	15462	SKF 4244	15509928	GMC 470625
1532901	ITM 1174	1539F	OSHKO 416107	1546RC	SUL 471549	15510022	CORTE 710755
153291	WAUKE 471255	1539F	OSHKO 455073	1547	ALOY 6988H	15510022B	CORTE 710755
153291B	WAUKE 471255	153PKG	TIMKE 153PKG	15471LPD	JN-MN 417492	15510030	CORTE 710757
153291C	WAUKE 417365	153R	TIMKE 153PKG	154745	JEFF 471281	15510030B	CORTE 710757
15330	C-R 452222	154005	JEFF 416339	154745	SUL 471281	15510034	CORTE 710756
15330	SKF 452222	154005	JEFF 455031	154751	JEFF 471103	15510034B	CORTE 710756
153314	HYST 472015	154005	SUL 416339	154751	JEFF 50197S	15510035	CORTE 710748
153318A	OLIVE 450073	154005	SUL 455031	154751	JOY 471103	15510035B	CORTE 710748
153322	HYST 417247	154040	JA-MI 450183	154751	JOY 50197S	15510042	CORTE 224010
1533302	ITM 1208	154040	JA-MI 472179	1548212	STUDE 6835S	15510042B	CORTE 224010
153334R1	IH 240733	154040	JAE 450183	1548OS	JN-MN 415991	15510079	CORTE 3771
15343	C-R 452222	154040	JAE 472179	1548OS	JN-MN 455146	15510079B	CORTE 3771
15343	SKF 452222	154041	JA-MI 450070	1548RC	SUL 416891	15510081	CORTE 711002
15345	C-R 324204	154041	JA-MI 472185	15493	TLSMI 240816	15510081B	CORTE 711002
15345	SKF 324204	154041	JAE 450070	154935	HOUGH 415379	15510087	CORTE 710669
153463521	TOWNR 200322	154041	JAE 472185	154935H1	HOUGH 415379	15510087B	CORTE 710669
15353	C-R 710214	15409	SIDEW 450067	1549OS	JN-MN 415449	1551061	CHRY5 6636S
15353	SKF 710214	15409	SIDEW 473228	1549OS	JN-MN 455147	15510627	GMC 450519
1535606	ITM 473210	1540906	STUDE 240816	154G11990	GR-DV 417210	15510627	GMC 471271
15359	C-R 710120	1540922	STUDE 6988H	154G11991	GR-DV 415072	15510775	GMC 415066
15359	C-R 710918	1541097	STUDE 8160S	154G11992	GR-DV 415116	15510805	TROS 350974
15359	SKF 710120	1541300	STUDE 8059S	154G11993	GR-DV 416888	15510919	GMC 9773
15359	SKF 710918	154141	JEFF 417210	154G11993	GR-DV 455200	15511060	GMC 475003N
15363	C-R 710404	15415LDS	JN-MN 416556	154G14972	GR-DV 417247	15511066	GMC 475012N
15363	SKF 710404	15415LDS	JN-MN 472157	154G14973	GR-DV 417548	15511078	GMC 415164N
1536301	ITM 1174	154253	CASE 471424	154PKG	TIMKE 154PKG	15511083	GMC 712937
15364A	MASSE 240385	154269	SIMPL 473157	154R	TIMKE 154PKG	15511087	GMC 722250
1537	ALOY 9569S	1542937	STUDE 470163	15500	C-R 710233	15511129	GMC 416654
153710	JEFF 417344	1542937	STUDE 471766	15500	SKF 710233	15511587	GMC 416282
153710	JEFF 455006	154344H2	IH 415854	155000	MECH 370025A	15511791	GMC 450316
153716	HYST 200885	154347R91	IH 470120	155000	MECH 380025A	15511791	GMC 472636
153717	HYST JV1371	154347R91	IH 471224	155000	MECH 386025A	15512423	GMC 100263
15372	C-R 710118	1543933	FORD 710808	1550001	ITM 1994	15512423	GMC 3905
15372	SKF 710118	15439LPD	JN-MN 470954	15502	C-R 4244	15512458	GMC 4561V
153725	JEFF 416288	1543F	OSHKO 416158	15502	CHRY5 7412S	15512458	GMC 473274N
15376	C-R 8940S	1544	ALOY 8181NA	15502	SKF 4244	15513351	GMC 722250
15376	SKF 8940S	15440	C-R 710046	15503	C-R 710482	15514	NEWPR 710046
1537D5	WHITE 471689	15440	SKF 710046	15503	SKF 710482	15517	C-R 473517
1537OS	JN-MN 417316	154437R91	IH 470120	155044	HOUGH 415483	15517	SKF 473517
1537OS	JN-MN 455004	154437R91	IH 471224	155044	HOUGH 455368	15518	C-R 473517
1538	ALLCH 450519	15445	C-R 1126	1550555	CLARK 471341	15518	SKF 473517
1538	ALLCH 471271	15445	SKF 1126	1550556	CLARK 471344	15519908	GMC 370011A
1538	TRAC 450519	15450	C-R 472635	1550559	CLARK 5751	15519910	GMC 370011A
1538	TRAC 471271	15450	SKF 472635	15506	C-R 330749V	1552001	ITM 1992
1538170	OSHKO 370003A	15451	C-R 710834	15506	SKF 330749V	15520072	GMC 370145A
15382	C-R 710211	15451	SKF 710834	15507089	GMC 370048A	15521874	GMC 710102
15382	NEWPR 3173	1545162	STUDE 410059	15507089	GMC 370182A	15521904	GMC 710106

INTERCHANGE SECTION

COMPETITIVE INTERCHANGES

Mfr No.	Mfr.	National	Mfr No.	Mfr.	National	Mfr No.	Mfr.	National	Mfr No.	Mfr.	National
15522	C-R	472213	15527582	GMC	473367	15527634	GMC	415449	15527780	GMC	370124A
15522	SKF	472213	15527583	GMC	471419	15527635	GMC	8975S	15527781	GMC	370178A
15522060	GMC	4762N	15527583	GMC	473367	15527636	GMC	455079	15527LDS	JN-MN	455406
15522062	GMC	710105	15527584	GMC	473010	15527637	GMC	5401	15528	BU-SP	472439
15525	C-R	710461	15527585	GMC	7038SA	15527638	GMC	411330N	155280	JEFF	416288
15525	SKF	710461	15527586	GMC	450400	15527639	GMC	451143	15529	BU-SP	415379
155256	HYST	415498	15527588	GMC	9845	15527640	GMC	413248	15529	C-R	710657
15526364	GMC	415234	15527589	GMC	472164	15527641	GMC	415458	15529	SKF	710657
15526365	GMC	475009N	15527590	GMC	7834	15527642	GMC	415458	1553	CALI	416107
15526366	GMC	417484N	15527591	GMC	451147H	15527642	GMC	475458	1553	CALI	455073
15526367	GMC	100494	15527592	GMC	450361	15527643	GMC	9773	15530	C-R	200887
15526367	GMC	416470N	15527592	GMC	472193	15527644	GMC	455008	15530	SKF	200887
155265TB	TRSCM	8695S	15527593	GMC	472179	15527645	GMC	417484N	155300	MECH	370025A
15527297	GMC	6835S	15527594	GMC	471141	15527645	GMC	475322N	155300	MECH	380025A
15527541	GMC	471554	15527595	GMC	472747	15527646	GMC	417484N	155300	MECH	386025A
15527542	GMC	471231	15527596	GMC	2942	15527646	GMC	475322N	15530288	GMC	710281
15527543	GMC	351267	15527597	GMC	472439	15527647	GMC	415004	1553102	STUDE	9613S
15527543	GMC	471267	15527598	GMC	331227H	15527647	GMC	417316	155314	HYST	472015
15527545	GMC	350414	15527600	GMC	414045	15527648	GMC	2222	155316PSB	TRSCM	5778
15527545	GMC	472311	15527601	GMC	6808N	15527649	GMC	415009N	155318A	OLIVE	450073
15527546	GMC	470120	15527602	GMC	6988H	15527650	GMC	415960	155318A	WHITE	450073
15527546	GMC	471224	15527603	GMC	472394	15527651	GMC	415009	155331A	OLIVE	416125
15527547	GMC	470219	15527604	GMC	471424	15527651	GMC	415960	155331A	WHITE	416125
15527547	GMC	471649	15527605	GMC	472924	15527652	GMC	2081	15533564	GMC	415082N
15527548	GMC	471689	15527606	GMC	450085	15527653	GMC	417158	155346	HYST	417343
15527549	GMC	471760	15527606	GMC	470530	15527654	GMC	417158	155346A	OLIVE	7937N
15527550	GMC	340151	15527607	GMC	410085	15527656	GMC	2674	155346A	WHITE	473473
15527551	GMC	470712	15527607	GMC	470530	15527657	GMC	35949N	15535	C-R	8935S
15527552	GMC	471763	15527608	GMC	473463	15527658	GMC	417349	15535	SKF	8935S
15527553	GMC	471785	15527609	GMC	410102	15527659	GMC	415995	15535	TMTR	471763
15527554	GMC	473425	15527610	GMC	6954S	15527659	GMC	455013	15535300	GMC	415013N
15527555	GMC	471765	15527611	GMC	5756	15527660	GMC	8976S	15536	CATER	472397
15527556	GMC	240356	15527612	GMC	450867	15527661	GMC	416297	15536	TMTR	450301
15527557	GMC	474278	15527612	GMC	470898	15527663	GMC	5313	15536	TMTR	472397
15527558	GMC	7412S	15527613	GMC	6879H	15527664	GMC	6358	155371	HYST	415867
15527559	GMC	471750	15527614	GMC	470898	15527665	GMC	416292	1553737	STUDE	410059
15527560	GMC	471766	15527615	GMC	410308	15527666	GMC	415085	1553737	STUDE	470380
15527562	GMC	471795	15527615	GMC	473468	15527666	GMC	456648	155384	AMC	471141
15527563	GMC	6370N	15527616	GMC	410308	15527667	GMC	455249	15540	C-R	472299
15527564	GMC	330663	15527617	GMC	39302	15527668	GMC	455858	15540	C-R	472299V
15527564	GMC	472354	15527618	GMC	3103	15527669	GMC	415146	15540	SKF	472299
15527565	GMC	482163N	15527619	GMC	450441	15527669	GMC	415991	15540	SKF	472299V
15527566	GMC	472258	15527619	GMC	471341	15527670	GMC	415991	155400	MECH	370025A
15527567	GMC	471192	15527621	GMC	410737	15527671	GMC	415437	155400	MECH	380025A
15527568	GMC	473214	15527622	GMC	470737N	15527672	GMC	417355	155400	MECH	386025A
15527569	GMC	3116N	15527623	GMC	450316	15527672	GMC	485497	1554005	ITM	224820
15527570	GMC	6241S	15527623	GMC	472636	15527673	GMC	415983N	155402	HYST	J1111
15527571	GMC	473258	15527624	GMC	44052	15527674	GMC	2377	155403	HYST	442109
15527572	GMC	452554N	15527625	GMC	411253	15527675	GMC	2218	15542	C-R	472299
15527573	GMC	470625	15527626	GMC	493291	15527676	GMC	415697	15542	SIDEW	471692
15527574	GMC	340136	15527627	GMC	493637	15527677	GMC	415958	15542	SKF	472299
15527575	GMC	470380	15527628	GMC	413246N	15527677	GMC	455958	15543	C-R	472299
15527576	GMC	470059	15527628	GMC	483246N	15527678	GMC	456618	15543	EMRSN	472299
15527576	GMC	470380	15527629	GMC	412119	15527679	GMC	417506	15543	SKF	472299
15527577	GMC	9613S	15527629	GMC	472856	15527680	GMC	6864S	1554331C1	IH	370001A
15527578	GMC	8160S	15527630	GMC	410987	15527681	GMC	417530	1554331C1	IH	380001A
15527579	GMC	473229	15527631	GMC	5487	15527682	GMC	415351	15544	C-R	40438S
15527580	GMC	481181	15527632	GMC	471271	15527684	GMC	2297V	15544	SKF	40438S
15527581	GMC	204017	15527633	GMC	415449	15527755	GMC	370132A	15546	C-R	2506
15527582	GMC	471419	15527634	GMC	415147	15527763	GMC	370165A	15546	SKF	2506

INTERCHANGE SECTION

COMPETITIVE INTERCHANGES



Mfr No.	Mfr. National	Mfr No.	Mfr. National	Mfr No.	Mfr. National	Mfr No.	Mfr. National
15546800	GMC 9613S	155862	CH MA 416339	15620	C-R 8160S	15660	SKF 200640
15549	C-R 472299V	155863	CH MA 450316	15620	SKF 8160S	156602	HOUGH 415003
15549	SKF 472299V	155863	CH MA 472636	156200	HYST 416229	156602	HOUGH 415458
15550869	GMC 370003A	1558633	GMC 455088V	156202SB	TRSCM 8421S	156602H2	HOUGH 415003
15550869	GMC 380003A	15588359	GMC 710101	156202VB	TRSCM 7994S	156602H2	HOUGH 415458
15551435	GMC 473471	15588691	GMC 370199A	156202VSB	TRSCM 330749V	15661460	GMC 4333N
15552	C-R 710491	15588691	MERIX 370199A	156205	HYST 471424	15661495	GMC 710211
15552	SKF 710491	15588691	ROCKW 370199A	156210A	OLIVE 471554	1566167	CLARK 472258
15553	C-R 710492	15588692	ACDEL 370211A	156210A	WHITE 471554	1566169	CLARK 472658
15553	SKF 710492	15588692	GMC 370211A	156220	HYST 415897	1566169	CLARK 473197
15557	C-R 450666	15588693	GMC 370212A	156220TZ	TRSCM 472213	1566172	CLARK 470950
15557	SKF 450666	155887	HOUGH 415938	156223	HYST 415458	1566172	CLARK 6241S
15557677	GMC 370003A	155887H2	HOUGH 415938	156233TB	TRSCM 472299	1566175	CLARK 470380
15557677	GMC 380003A	155887H2	IH 415938	156234	HYST 416339	1566179	CLARK 470596
15557678	GMC 370023A	15589475	GMC 6358	1562431SL	TRSCM 470064	1566181	CLARK 472164
15557678	GMC 380023A	15589666	GMC 710103	1562431SL	TRSCM 471821	1566190	CLARK 450389
155577	HYST 471538	1559008	ONAN 480479H	156243TB	TRSCM 471821	1566190	CLARK 472492
15557LUP	JN-MN 472164	1559008	STUDE 480479H	156245TB	TRSCM 471827	1566195	CLARK 415349
15558LUP	JN-MN 450446	15592	C-R 470064	156245TB	TRSCM 8160S	1566199	CLARK 415234
15560	C-R 710046	15592	SKF 470064	156253SB	TRSCM 472213	1566208	CLARK 417082
15560	SKF 710046	15594384	GMC 473471	156253TB	TRSCM 473229	1566211	CLARK 416664
155627A	OLIVE 417344	15595878	GMC 410085N	156255SA	TRSCM 200640	1566221	CLARK 417247
155627A	OLIVE 455006	1559802	ITM 1955	15628LDS	JN-MN 416891	1566224	CLARK 415003
155627A	WHITE 417344	1559809	ITM 1012N	15629	C-R 710046	1566224	CLARK 415458
15566	SKF 7692S	155PKG	TIMKE 155PKG	15629	SKF 710046	1566225	CLARK 416107
15566LDS	JN-MN 471271	155R	TIMKE 155PKG	1563	ALOY 6954S	1566225	CLARK 455073
1557	ALOY 6808N	156004	GMC 416921	15634020	GMC 4525V	1566231	CLARK 416345
15574LUP	JN-MN 455037	156004	GMC 455011	15634058	GMC 710062	15662465	GMC 4503N
15575957	GMC 712750	156005	GMC 415284	15634LDS	JN-MN 472394	1566326	GMC 9773
15579788	GMC 710046	156019	GMC 417344	15635	C-R 450185	15663537	GMC 370001A
155801	CH MA 410496	156020	GMC 473243	15635	C-R 473229	15663537	GMC 380001A
15580175	GMC 710044	15602640	GMC 5682	15635	C-R 711552	15665322	GMC 475012N
155802	CH MA 350936	156042	HYST 413247	15635	SKF 450185	15665326	GMC 9773
15580225	GMC 714503	15604806	TROS 470390	15635	SKF 473229	15665670	GMC 370005A
15580226	GMC 330385	15607	C-R 4889	15635	SKF 711552	1566687	CLARK 417040
155803	CH MA 8597S	15607	SKF 4889	15635260	GMC 714655	156670R91	IH 6988H
15580381	GMC 3946	156082	US-EL 471821	15635281	GMC 714654	15668LUP	JN-MN 471649
155805	CH MA 417351	15610004	TROS 471733	15635334	GMC 714670	15669	C-R 712551
155805	CH MA 455154	15610007	TROS 471733	15635337	GMC 7412S	15669	SKF 712551
155806	CH MA 472164	15610807	TROS 470712	15635377	GMC 7412S	1567	ALOY 9150S
155807	CH MA 473228	15611171	GMC 370008A	1564114	CLARK 413247	15676LUP	JN-MN 416313
155807A	OLIVE 416339	15611204	TROS 472475	1564114	CLARK 450350	15677	C-R 450143
155809	CH MA 481163	15611205	TROS 472475	15641LPD	JN-MN 417210	15677	SKF 450143
155810	CH MA 410308	15611604	TROS 471737	15644A	MASSE 471192	15679880	GMC 370003A
155810	CH MA 450308	15612007	TROS 473423	15646	FMC 417344	15679880	GMC 380003A
155813	CH MA 7537S	15612404	TROS 352354	1565	ALOY 442380	15679881	GMC 370023A
15581911	GMC 9613S	15612404	TROS 472354	15650232	DODGE 4739	15679881	GMC 380023A
155820	CH MA 471835	15612406	TROS 472354	15651660	GMC 4739	15680A	MASSE 330385
15582172	GMC 6358	15612406	TROS 50395S	15651661	GMC 4740	15682	C-R 473677
15582232	GMC 415960	15612407	TROS 472354	156533	IH 472397	15682	SKF 473677
15582257	GMC 710304	15612407	TROS 50395S	15655	C-R 473229	15684	C-R 224026
155831	CH MA 340817	15613203	TROS 343099	15655	SKF 473229	15684	SKF 224026
15583783	GMC 9316	15614M1	BUC-E 472560N	15655172	GMC 4740	156846R91	IH 240816
155838	CH MA 410520	15614M1	BUC-E 50151S	156553C91	IH 472397	1568501A	SIDEW 473215
155838	CH MA 471272	15616050	GMC 714512	15656	NATL 415656	15687419	GMC 370182A
15583894	GMC 100263	156168	HYST 417278	15656	WMG 415656	1568762	CHRY 330663
155843	CH MA 6575S	15617178	GMC 6759S	15657	BU-SP 470625	1568762	CHRY 472354
155846	CH MA 473235	15617869	GMC 5682	15658	BU-SP 412119	1569	CLSON 471526
155856	CH MA 350823	15618	C-R 710687	156599	GOODM 471138	15690	C-R 224045
155856	CH MA 473454	15618	SKF 710687	15660	C-R 200640	15690	SKF 224045

INTERCHANGE SECTION

COMPETITIVE INTERCHANGES

Mfr No.	Mfr.	National	Mfr No.	Mfr.	National	Mfr No.	Mfr.	National	Mfr No.	Mfr.	National
15691	C-R	710548	15729LDS	JN-MN	472397	15791	C-R	5778V	15830	SKF	710432
15691	SKF	710548	1573	ALOY	331107N	15791	SKF	5778V	15835	C-R	3459
15692	C-R	470682	15730	C-R	5796	15793	C-R	710898	15835	SKF	3459
15692	SKF	470682	15730	SKF	5796	15793	SKF	710898	158354A	OLIVE	470954
15693A	MASSE	6863S	157305	WITTE	411245	15796	C-R	710677	158354A	OLIVE	480954
1569894	CHRYS	340797	157305	WITTE	455096	15796	SKF	710677	158354A	WHITE	470954
15699	C-R	470682	15730504	GMC	370199A	15800	C-R	224010	158354A	WHITE	480954
15699	SKF	470682	15731	C-R	450545	15800	C-R	710308	158358A	OLIVE	471224
1569915	CHRYS	410308	15731	SKF	450545	15800	SKF	224010	158358A	WHITE	471224
1569915	CHRYS	450308	15733	C-R	224063	15800	SKF	710308	15836	C-R	3459
156B12404	TROS	40395	15733	SKF	224063	15801	C-R	224015	15836	SKF	3459
156B12404	TROS	40395S	15736	C-R	710505	15801	SKF	224015	15838	C-R	3459
156D6	WHITE	415041	15736	SKF	710505	15801507	GMC	710648	15838	SKF	3459
1570	ALOY	2955	15737	C-R	710582	15801LDS	JN-MN	416167	15839LUP	JN-MN	415447
15700	C-R	710689	15737	SKF	710582	15802	C-R	224015	15840	C-R	224040
15700	SKF	710689	1574	ALOY	7044NA	15802	C-R	239201	15840	SKF	224040
15701	C-R	710451	15741	C-R	3459	15802	SKF	224015	15841	C-R	710147
15701	SKF	710451	15741	SKF	3459	15802	SKF	239201	15841	SKF	710147
15702	C-R	6336S	15742	C-R	3459	15803	C-R	1217	158411	GOODM	417541
15702	SKF	6336S	15742	SKF	710512	15803	SKF	1217	158412	GOODM	417506
15703555	GMC	370023A	15744A	MASSE	471192	15804	C-R	224052	1584174	CLARK	455079
15703555	GMC	380023A	15746	C-R	473677	15804	SKF	224052	15842	C-R	710147
15704	C-R	710727	15746	SKF	473677	15805	C-R	1962	15842	SKF	710147
15704	SKF	710727	15748	C-R	450803	15805	C-R	224015	15843	C-R	710202
15707	C-R	471316	15748	SKF	450803	15805	SKF	1962	15843	SKF	710202
15707	SKF	471316	157496R91	IH	415013	15805	SKF	224015	15844	C-R	224040
157078	HOUGH	417269	157496R91	IH	415995	15807	C-R	1213N	15844	SKF	224040
157078H1	HOUGH	417269	15750	C-R	3459	15807	SKF	1213N	158444A	OLIVE	473231
157078H3	IH	417269	15750	SKF	3459	15808	C-R	224052	158444A	WHITE	473231
15709	C-R	712551	15754	C-R	710839	15808	SKF	224052	15846	C-R	710196
15709	SKF	712551	15754	SKF	710839	1581	CHEL	5872S	15846	SKF	710196
157103	HOUGH	6590S	15756	C-R	224200	15810	C-R	1213N	15850	C-R	224100
157103H1	HOUGH	6590S	15756	SKF	224200	15810	SKF	1213N	15850	SKF	224100
157106	HOUGH	472924	15761	C-R	473441	15810LUP	JN-MN	415027	15851	C-R	224045
157106H1	HOUGH	472924	15761	SKF	473441	15815	C-R	224020	15851	SKF	224045
157106H2	HOUGH	472924	15766	C-R	450273	15815	SKF	224020	15852	C-R	224100
157106H3	IH	472924	15766	SKF	450273	15818	C-R	710717	15852	SKF	224100
15712	C-R	710539	15767	C-R	710731	15818	SKF	710717	158550	ALLCH	450183
15712	SKF	710539	15767	SKF	710731	15819	C-R	473677	158550	ALLCH	472179
157120H2	IH	473517	15767LDS	JN-MN	473234	15819	SKF	473677	15856	C-R	710196
157141	JEFF	417210	15768	C-R	710776	1582	WHITE	470565	15856	SKF	710196
157141	SUL	417210	15768	SKF	710776	15820	C-R	473677	158577	HYST	9600S
15716	C-R	710808	1577	ALOY	5778	15820	SKF	473677	15859A	MASSE	455195
15716	SKF	710808	15770LDS	JN-MN	473229	15822	C-R	224020	15859A	MASSE	472157
157166A	WHITE	472492	15773	C-R	473442	15822	SKF	224020	15860	BU-SP	415072
15718	C-R	710539	15773	SKF	473442	15823	C-R	224020	15860	C-R	350572
15718	SKF	710539	15779	C-R	473442	15823	SKF	224020	15860	SKF	350572
15719	C-R	5796	15779	SKF	473442	15823962	AA&M	710568	15862	C-R	712011
15719	SKF	5796	157844	HYST	415004	15823962	GMC	710568	15862	SKF	712011
15721	C-R	481397	157844	HYST	417316	15825	C-R	712551	15863	C-R	474133
15721	SKF	481397	1578532	CLARK	370002A	15825	SKF	712551	15863	SKF	474133
15722	C-R	471579	15787	C-R	710677	15826	C-R	224025	15866	C-R	1036
15722	SKF	471579	15787	SKF	710677	15826	SKF	224025	15866	SKF	1036
15724	C-R	4175	15788	C-R	5778	158262	JEFF	471281	15867	C-R	1146
15724	SKF	4175	15788	SKF	5778	15827F	OSHKO	415725	15867	SKF	1146
15724LUP	JN-MN	417355	157884	HYST	417316	15828	C-R	224026	158685	ALLCH	415991
15727	C-R	710512	1579	ALOY	410059	15828	SKF	224026	158685	ALLCH	455146
15727	SKF	3459	1579	ALOY	470380	15829	C-R	224026	15874A	MASSE	415458
15729	C-R	8160S	15790	C-R	474133	15829	SKF	224026	15874A	MASSE	455003
15729	SKF	8160S	15790	SKF	474133	15830	C-R	710432	15874X	MASSE	415003

INTERCHANGE SECTION

COMPETITIVE INTERCHANGES



Mfr No.	Mfr. National	Mfr No.	Mfr. National	Mfr No.	Mfr. National	Mfr No.	Mfr. National
15874X	MASSE 415458	159604	JEFF 450083	15FM41A1	FAIRB 474252	160433A	WHITE 417343
15881	C-R 710287	159604	JEFF 472924	15FM41A2	FAIRB 473016	16044	C-R 8835S
15881	SKF 710287	159614	ALLCH 416339	15FM41A4	FAIRB 416273	16044	SKF 8835S
15882	C-R 2011	159614	ALLCH 455031	15G47	OSHKO 471689	16046	C-R 473694
15882	SKF 2011	159615	ALLCH 415072	15HU027008	GKN 714675	16046	SKF 473694
15883	C-R 712011	15965961	GMC 370008A	15JG1	KEN 415991	16047	C-R 472419
15883	SKF 712011	15966	C-R 4764	15JG1	KEN 415991N	16047	SKF 472419
15886	C-R 710113	15966	SKF 4764	15JG2	KEN 471570	160502	JEFF 471551
15886	SKF 710113	15967	C-R 710311	15JG3	KEN 240731	160524A	OLIVE 416921
15887	C-R 710134	15967	SKF 710311	15JG4	KEN 415281N	160524A	OLIVE 455011
15887	SKF 710134	15968	C-R 451469	15JG5	KEN 5857	16053	CLIN 474278
15887140	GMC 370371A	15968	SKF 451469	15JG6	KEN 415983N	16053	CLIN 480356
15888	C-R 710598	15969	SPICE 42763	15JG7	KEN 456744N	160530A	WHITE 240319
15888	SKF 710598	159691	SPICE 450078	15M11	SPICE 340356	160539	AMC 472560N
15889LUP	JN-MN 411376	159691	SPICE 473444	15M2	SPICE 340815	160539	AMC 50151S
15891	C-R 224066	159693	SPICE 42763	15M1	SPICE 472179	1605397	GMC 9049N
15891	SKF 224066	159697	SPICE 42763	15P562	MINNM 8650S	16054	C-R 481181
15896	NEWPR 4333N	15972	C-R 4141	15X484	MINNM 473450	16054	C-R 481181N
1590	ALOY 9161	15972	SKF 4141	16	WGEAR 470189	16054	SKF 481181
15900	C-R 4141	159727	JEFF 415303	16	WGEAR 471692	16054	SKF 481181N
159035	ALLCH 417487	159728	JEFF 417487	16D19	LK-BT 416556	160540	AMC 474278
159035	ALLCH 455014	159728	JEFF 455014	16D19	LK-BT 472157	160540	AMC 480356
159036	ALLCH 410520	15973123	GMC 370120A	16D20	LK-BT 471192	160546	JEFF 416865
159036	ALLCH 471272	15974	C-R 710747	1600255	WHITE 412119	160546	JEFF 455070
15907J	DIA 6638S	15974	SKF 710747	1600255	WHITE 450101	160603	CUMMI 6835S
15910	C-R 710436	15975	C-R 450274	16012	CLIN 470328	16061	C-R 1999
15910	SKF 710436	15975	SKF 450274	16012	CLIN 481213	16061	C-R 473230
15910LDS	JN-MN 415836	15977	C-R 4765	16012LUP	JN-MN 473239	16061	SKF 1999
15910LDS	JN-MN 415995	15977	SKF 4765	160132	ALLCH 415146	16061	SKF 473230
159178	HYST 416130	15978	C-R 710227	160132	ALLCH 415991	16062	C-R 473230
159183	HYST 416039	15978	SKF 710227	16017	C-R 710402	16062	SKF 473230
159200	JEFF 470059	1598	KINNR 415995	16017	SKF 710402	16064	C-R 204017
159200	JEFF 470380	1598	KINNR 455013	160196	JEFF 417134	16064	SKF 204017
159213PSLH	TRSCM 480581	15980	BU-SP 8650S	16020	EATON 452554N	16069	C-R 204017
159295	HYST 45637S	15981	BU-SP 415147	16020	FULLE 452554N	16069	C-R 205017
15929LUP	JN-MN 417501	15981	BU-SP 415449	16021	C-R 474133	16069	SKF 204017
15934	C-R 350572	15981A	MASSE 450400	16021	SKF 474133	16069	SKF 205017
15934	SKF 350572	15982	BU-SP 416865	16022A	MASSE 455079	160692H1	HOUGH 417555
159372	WAUKE 470548	15982769	GMC 370003A	16023	C-R 710114	16072	C-R 470358
159372	WAUKE 470625	15982769	GMC 380003A	16023	SKF 710114	16072	C-R 473231
159483	WAUKE 470645	15982869	GMC 370003A	1602537	WHITE 485195H	16072	SKF 470358
1595	ALOY 51098	15982869	GMC 380003A	160273	HARRI 415234	16072	SKF 473231
15951	SIDEW 450492	15984	C-R 710736	1603031	OPEL 710709	160763A	OLIVE 410308
15952X	MASSE 450352	15984	SKF 710736	1603033	OPEL 710709	160763A	OLIVE 473468
15952X	MASSE 472164	15989	C-R 224045	16032	C-R 1950	16078	C-R 483230V
159533	JEFF 455079	15989	SKF 224045	16032	SKF 1950	16078	SKF 483230V
15953X	MASSE 473421	1599	ALOY 9912	16034	C-R 1180	16079	C-R 470358
15955	C-R 450065	15990004	GMC 370008A	16034	SKF 1180	16079	C-R 473231
15955	SKF 450065	15992A	MASSE 450516	160357A	WHITE 473232	16079	SKF 470358
159556	JEFF 471267	15993A	MASSE 472015	16036	C-R 1180	16079	SKF 473231
159562	JEFF 415725	15994	OLIVE 472826	16036	SKF 1180	16079LDS	JN-MN 415683
159563	JEFF 415725	15A10671	MINNM 204008	16037	C-R 710114	16080LDS	JN-MN 415656
159566	JEFF 471267	15A11584	MINNM 470565	16037	SKF 710114	16081M	DIA 410519
159568	JEFF 417357	15A14589	MINNM 472258	16039	C-R 473694	16081M	DIA 471271
159568	JEFF 455192	15A14589	WHITE 472258	16039	SKF 473694	16083	C-R 710204
15957	C-R 224052	15A15742	MINNM 473473	16041	C-R 710220	16083	SKF 710204
15957	SKF 224052	15A16195	MINNM 340120	16041	SKF 710220	16084	C-R 473231
159572	HYST 416624	15A72	MINNM 471750	16043	C-R 710403	16084	SKF 473231
15960	C-R 482253	15A8155	MINNM 415116	16043	SKF 710403	16085	C-R 473231
15960	SKF 482253	15FM41A1	FAIRB 472951	160433A	OLIVE 417343	16085	SKF 473231

INTERCHANGE SECTION

COMPETITIVE INTERCHANGES

Mfr No.	Mfr.	National	Mfr No.	Mfr.	National	Mfr No.	Mfr.	National	Mfr No.	Mfr.	National
16092	C-R	473231	16119	C-R	483367V	1615304C1	IH	370001A	16235	TRMBL	370023A
16092	SKF	473231	16119	SKF	483367V	1615304C1	IH	380001A	16235SA	TRSCM	470358
1609948C1	IH	370003A	1611M1	MASSE	470219	16154	C-R	1180	162389	JEFF	472439
1609948C1	NAVST	380003A	1611M1	MASSE	471649	16154	SKF	1180	162402	JEFF	415867
161	DALMO	350435	16120	C-R	473367V	16155	CLAYN	450519	16240J	DIA	472144
16100	MICH	471442	16120	SKF	473367V	16155	CLAYN	471271	16241LUP	JN-MN	473235
16100	UNIVE	471442	1612082Z00	SUZUK	224650	16156	CHRYS	7300S	16242LDS	JN-MN	417316
1610095	AMC	471570	1612082Z10	SUZUK	710356	16156	NEWPR	2465	16243	C-R	473010V
1610187M1	MASSE	415836	16121	C-R	450066	16159LPD	JN-MN	470351	16243	SKF	473010V
1610187M1	MASSE	415995	16121	C-R	473367	161673	Y-T	417344	16243TB	TRSCM	471419
161019	H-S	415303	16121	SKF	450066	161673	Y-T	455006	16243TB	TRSCM	473367
161020A	OLIVE	415836	16121	SKF	473367	16168	C-R	471419	162443TB	TRSCM	471829
161020A	OLIVE	415995	1612173J00	SUZUK	710849	16168	SKF	471419	16245	C-R	473010
16103550	FREIG	471870	1612173J00000	SUZUK	710849	161686	EATON	100495	16245	SKF	473010
16103550	FREIG	471883	1612172M1	MASSE	416125	161686	EATON	415281N	16246	C-R	473010
16104	NEWPR	4370N	16122	C-R	5693	161686	Y-T	415281N	16246	SKF	473010
16104	NPG	4370N	16122	SKF	5693	16177	FULLE	412473	16247	C-R	473010N
161052	ACF	340771	1612223	CHRYS	471646	16177	FULLE	415894	16247	SKF	473010N
161057	H-S	450083	16123	C-R	710497	16179STLUP	JN-MN	455966	1624D	GOODM	450301
161057	H-S	472924	16123	SKF	710497	16180	C-R	471829	1624D	GOODM	472397
161058	H-S	471267	16125	MICH	471472	16180	SKF	471829	1625	CHEL	415147
161075	JEFF	450494	16125	UNIVE	471472	1618683	CHRYS	3103	1625	CHEL	415449
161075	JEFF	472164	161255SZ	TRSCM	8835S	16188	FMC	473227	162510698LPD	JN-MN	55103S
161076	JEFF	450867	16128	C-R	471646	16188	SIDEW	473227	162503TB	TRSCM	473234
161076	JEFF	470898	16128	SKF	471646	16189	C-R	471829	162509	JEFF	417082
161077	JEFF	455311	1612823C1	IH	370131A	16189	SKF	471829	16253TB	TRSCM	473010
161079	JEFF	415995	1612823C1	NAVST	380131A	161919H2	IH	473231	16254	C-R	473010
161079	JEFF	455013	161310	H-S	417210	16194	C-R	712551	16254	SKF	473010
16108	C-R	710102	1613212	FORD	3393	16194	SKF	712551	16257F	DIA	450083
16108	SKF	710102	161323	AMC	8160S	162	DALMO	350364	16257F	DIA	472924
161080	H-S	470548	1613409	CHRYS	6840S	16201	C-R	471829	1625840M1	MASSE	415150
161080	H-S	470625	16136	C-R	4765	16201	SKF	471829	162601	JEFF	470027
161100A	OLIVE	340724	16136	SKF	4765	16204	C-R	471829	162601	JEFF	471554
1611035	WOOL	416345	16137	MICH	471549	16204	SKF	471829	162602	JEFF	472810
1611035	WOOL	455033	16137	UNIVE	471549	162052	JEFF	471689	162603	JEFF	471549
161106	H-S	471466	16139	C-R	8835S	162075	AMC	473435	16262	C-R	714569
161121	JEFF	470605	16139	SKF	8835S	162075	JEFF	471870	16262	SKF	714569
161124	JEFF	415995	16140	C-R	710747	162075	JEFF	471883	16263J	DIA	417355
161124	JEFF	455013	16140	SKF	710747	162080	AMC	473435	16263TB	TRSCM	473232
161125	JEFF	415991	16141A	MASSE	470548	1620D5	WHITE	410101N	1626520UB	TRSCM	200886
161125	JEFF	455146	16141A	MASSE	470625	162114075	TROS	203016	162668	JEFF	471570
16113	C-R	450066	16144	C-R	710591	162116075	TROS	6906S	162683SB	TRSCM	481864
16113	C-R	473367	16144	SKF	710591	162116X075C	TROS	6906S	16268SS	JN-MN	411253
16113	SKF	450066	16145	C-R	710535	162118	AMC	450066	16269LDS	JN-MN	417210
16113	SKF	473367	16145	SKF	710535	162118	AMC	473367	1627159M1	MASSE	311189
16114	C-R	710697	161452	H-S	240119	162128	CUMMI	475003N	16272SB	TRSCM	40286
16114	SKF	710697	1614578	GMC	3907	16212SB	TRSCM	481181	16273TB	TRSCM	473236
16115	JNSON	471224	1614579	GMC	3907	16212SB	TRSCM	481181N	1627806	GMC	710075
16116	C-R	710102	16146	C-R	4762N	1622222	GMC	9599S	1627827	GMC	710263
16116	SKF	710102	16146	SKF	4762N	162231	JEFF	450030	16283TB	TRSCM	473444
16117	C-R	471419	16147	C-R	711005	162231	JEFF	474253	16284	C-R	204500
16117	C-R	473367	16147	SKF	711005	16223TB	TRSCM	473230	16284	SKF	204500
16117	SKF	471419	1614765	FORD	3393	16223VSB	TRSCM	483230V	16285	C-R	204500
16117	SKF	473367	16148	C-R	5693	16225	C-R	481644	16285	SKF	204500
16118	C-R	471419	16148	SKF	5693	16225	SKF	481644	16286	C-R	200641
16118	C-R	473367	16149	C-R	711181	1622631	GMC	710263	16286	SKF	200641
16118	SKF	471419	16149	SKF	711181	162285	LEYLD	330385	16289	C-R	204500
16118	SKF	473367	1614996	FORD	3772	162290	JEFF	471231	16289	C-R	291099
1611843C91	IH	370001A	16151	C-R	1950	16233TB	TRSCM	473231	16289	C-R	4763S
1611843C91	IH	380001A	16151	SKF	1950	16234VHY	TRSCM	205017	16289	SKF	204500

INTERCHANGE SECTION

COMPETITIVE INTERCHANGES



Mfr No.	Mfr. National	Mfr No.	Mfr. National	Mfr No.	Mfr. National	Mfr No.	Mfr. National
16289	SKF 291099	163424	PACIF 415004	16359	SIDEW 473231	16448	C-R 710141
16289	SKF 4763S	163424	PACIF 417316	16362	C-R 40286	16448	SKF 710141
16295	C-R 714679	163425	PACIF 417134	16362	SKF 40286	16449	C-R 8477S
16295	SKF 714679	163426	PACIF 415304	163625A	WHITE J1119	16449	SKF 8477S
163	DALMO 6863S	163426	PACIF 476470	16364	C-R 473443	16452LUP	JN-MN 472016
16303SA	TRSCM 450539	163428	PACIF 416380	16364	C-R 474274	164544	JEFF 416047
16306LDS	JN-MN 415219	163429	PACIF 417254	16364	SKF 473443	164544	JEFF 416332
163075	AMC 473435	1634310	PACIF 411376	16364	SKF 474274	16456	C-R 3083
16310004	TROS 471744	1634310	PACIF 455093	16365LUP	JN-MN 417020	16456	SKF 3083
16311207	TROS 473426	1634311	PACIF 455079	16368	C-R 473443	164567A	MINNM 340385
16311604	TROS 471750	1634312	PACIF 415458	16368	C-R 474274	164639	HYST JV1166
16311607	TROS 471750	1634313	PACIF 415984	16368	SKF 473443	164648	JEFF 470045
16311608	TROS 471750	1634314	PACIF 417316	16368	SKF 474274	164648	JEFF 476838
1631169	CHRY5 3103	1634315	PACIF 455310	16370	EATON 476424N	16465	C-R 710298
16311LUP	JN-MN 417602	1634316	PACIF 418028	16371LUP	JN-MN 471141	16465	SKF 710298
16313204	TROS 40382	1634316	PACIF 455137	163753624	SKF 370106A	16465LDS	JN-MN 473205
16313207	TROS 474276	1634317	PACIF 417352	163871	HYST 415086N	164662A	OLIVE 6988H
16313208	TROS 474276	1634317	PACIF 418028	163871	HYST 417487	16467LDS	JN-MN 473235
16314	C-R 473232	1634318	PACIF 417191	163887	GMC 415035	16468	C-R 710245
16314	SKF 473232	1634318	PACIF 455165	163887	GMC 455035	16468	SKF 710245
16315	C-R 473232	1634319	PACIF 415437	163912	HYST 471869	16471	C-R 710620
16315	SKF 473232	1634320	PACIF 415027	163912	HYST 473459	16471	SKF 710620
163196	US-EL 415304	1634320	PACIF 455027	16392	C-R 4674N	16472LDS	JN-MN 416294
163196	US-EL 476470	1634321	PACIF 415379	16392	SKF 4674N	16473	C-R 711181
16322	C-R 40568S	1634321	PACIF 455379	163A114065	TROS 203025	16473	SKF 711181
16322	SKF 40568S	1634322	PACIF 416339	163A116065	TROS 203029	1647308	GMC 710262
16323	C-R 710444	1634323	PACIF 417366	163C13204	TROS 41257	1647311	GMC 710263
16323	SKF 710444	1634324	PACIF 415034	164001349800	ALFAR 222860	16474	C-R 710431
1632840060	MERCE 710403	1634324	PACIF 455034	16404	C-R 8835S	16474	SKF 710431
1632840160	MERCE 330385	1634325	PACIF 417357	16404	SKF 8835S	1647477	GMC 710261
1632840260	MERCE 330385	1634325	PACIF 455192	16406	C-R 473444	1648	ALOY 4148
1632840360	MERCE 710725	1634326	PACIF 416891	16406	SKF 473444	1648	ALOY 471424
1632900	FPDSL 5629	1634327	PACIF 416154	164063	ALLCH 417597	16481	C-R 4615V
163295	WOODB 471652	1634328	PACIF 415058	16415	C-R 710241	16481	SKF 4615V
163351	PACIF 470334	1634331	PACIF 455290	16415	SKF 710241	164848	WAUKE J1129
16337	C-R 481864	1634332	PACIF 417555	16416	NPG 710046	16485	C-R 710403
16337	SKF 481864	1634333	PACIF 415072	16422	C-R 414268	16485	SKF 710403
163391	PACIF 480581	1634334	PACIF 455480	16422	C-R 450539	164855	HOUGH 410312N
163392	PACIF 416041	1634335	PACIF 417601	16422	SKF 414268	164855H1	HOUGH 410312N
16341	PACIF 341022	1634336	PACIF 417605	16422	SKF 450539	16487	C-R 710550
16342	C-R 5727	1634337	PACIF 416706	16426SS	JN-MN 6863S	16487	SKF 710550
16342	SKF 5727	1634337	PACIF 455272	16427	C-R 710402	16489	C-R 2025
163421	PACIF 416267	1634339	PACIF 450621	16427	SKF 710402	16489	SKF 2025
1634210	PACIF 417601	1634342	PACIF 470088	16429	C-R 224068	1648957	AMC 411253
1634211	PACIF 417605	1634348	PACIF 416892	16429	SKF 224068	1648957	AMC 450099
1634212	PACIF 415482	1634349	PACIF 416239	16431	C-R 450335	16491	C-R 224255
1634215	PACIF 415962	163435	PACIF 470596	16431	SKF 450335	16491	SKF 224255
1634216	PACIF 470351	1634351	PACIF 415294	16432LUP	JN-MN 228010	164918	JEFF 470169
1634217	PACIF 417357	1634351	PACIF 455294	164368	ALLCH 327303	164918	JEFF 473214
1634219	PACIF 471466	1634352	PACIF 417600	1643G	OSHKO 415991	164919	JEFF 471795
163422	PACIF 413246	1634358	PACIF 471413	1643G	OSHKO 455146	16494	C-R 3774
163422	PACIF 413246N	163436	PACIF 470351	16440	C-R 450467	16494	SKF 3774
1634220	PACIF 415001	163436	PACIF 471504	16440	SKF 450467	16496	C-R 711181
1634221	PACIF 472258	163437	PACIF 472164	16441	C-R 474133	16496	SKF 711181
1634223	PACIF 415043	163438	PACIF 473313	16441	SKF 474133	1649628C1	IH 370025A
1634225	PACIF 416154	163439	PACIF 412027	16442	C-R 224053	1649628C1	NAVST 380025A
1634226	PACIF 415867	1634631	SPICE 470403	16442	SKF 224053	1649628C1	NAVST 386025A
1634227	PACIF 417484	1634631	SPICE 470774	16446	C-R 1180	16499	C-R 710221
1634227	PACIF 417484N	1634632	SPICE 413246N	16446	SKF 1180	16499	SKF 710221
163423	PACIF 416664	1634647	FORD 3393	16447LUP	JN-MN 471270	1650	DURA 340120

INTERCHANGE SECTION

COMPETITIVE INTERCHANGES

Mfr No.	Mfr.	National	Mfr No.	Mfr.	National	Mfr No.	Mfr.	National	Mfr No.	Mfr.	National
1650011	DURA	473446	16527	SKF	224255	16559	SKF	452086	1666808	CHRY5	450365
16502	C-R	224210	16528	C-R	224266	165618	HOUGH	470351	1666808	CHRY5	470898
16503	SKF	224210	16528	SKF	224266	16564	C-R	710195	16669	C-R	473233
16503	C-R	224210	16529	C-R	224252	16564	SKF	710195	16669	SKF	473233
16503	SKF	224210	16529	EATON	J1107	16564	YARD	471538	16675	MYERS	450519
165035	HYST	450185	16529	SKF	224252	16565	C-R	710286	16675	MYERS	471271
165035	HYST	473229	16530LDS	JN-MN	416383	16565	SKF	710286	1667583	CHRY5	417484N
1650397	WGEAR	240462	16531	C-R	710719	16567	C-R	7300S	1667583	CHRY5	475322N
16504	C-R	3774	16531	SIDEW	470358	16567	SKF	7300S	1667599	CHRY5	35949N
16504	C-R	473560N	16531	SIDEW	473231	16568	YARD	340724	1667620	CHRY5	415449
16504	SKF	3774	16531	SKF	710719	165757A	WHITE	200870	1667620	CHRY5	455147
16504	SKF	473560N	16532	C-R	450260	16578	C-R	8660S	1667652	CHRY5	351267
16505	C-R	473560N	16532	SKF	450260	16578	SKF	8660S	1667652	CHRY5	471267
16505	SKF	473560N	16533	C-R	2025	16579	MYERS	450452	1667670	CHRY5	417484N
16506	C-R	494117	16533	SKF	2025	16579	MYERS	473197	1667670	CHRY5	455322
16506	SKF	494117	16533LUP	JN-MN	451948	16594	C-R	710133	1667704	CHRY5	471570
16507	C-R	3051N	16534	C-R	224255	16594	SKF	710133	1667863	CHRY5	470308N
16507	SKF	3051N	16534	SKF	224255	165947R91	IH	471341	16679	C-R	473445
16508	C-R	710097	16535	C-R	710938	165949R91	IH	415483	16679	SKF	473445
16508	SKF	710097	16535	SKF	710938	165949R91	IH	455368	16680	C-R	473445
16509	C-R	224235	16535LUP	JN-MN	472150	16596	C-R	710246	16680	SKF	473445
16509	SKF	224235	16536	C-R	710442	16596	SKF	710246	1668181	CHRY5	410737
16510	C-R	710701	16536	SKF	710442	16597	TRMBL	370012A	1668311	FOOTE	471570
16510	SKF	710701	16536LUP	JN-MN	410825	1659759C91	IH	370150A	16683131	FOOTE	450117
16511	C-R	224215	16539LUP	JN-MN	455566	16598LUP	JN-MN	416135	16683131	FOOTE	472572
16511	SKF	224215	16540LUP	JN-MN	456305	16599	C-R	4099	16683141	FOOTE	472144
165118	ALLCH	471689	16541LUP	JN-MN	416294	16599	SKF	4099	16683181	FOOTE	450313
165122A	OLIVE	416921	16542	C-R	710179	166021	SIMPL	471231	16683201	FOOTE	450519
165122A	WHITE	416921	16542	SKF	710179	16605LUP	JN-MN	456641	16683201	FOOTE	471271
165123A	OLIVE	416557	16542LUP	JN-MN	417495	16607	EATON	473473	1668321	FOOTE	450039
165123A	WHITE	416332	1654330C1	IH	370023A	1661230	CHRY5	5481	16683211	FOOTE	455079
1651279C91	IH	100495	1654330C1	NAVST	380023A	166202	AMC	473435	16683231	FOOTE	416921
1651280C91	IH	710457	16543LUP	JN-MN	415498	16622	C-R	224250	16683231	FOOTE	455011
1651281C91	IH	712000	16544	C-R	224200	16622	SKF	224250	16683241	FOOTE	416956
16514	C-R	1953	16544	SKF	224200	16623	NPG	3946	16683251	FOOTE	415281N
16514	SKF	1953	16544LUP	JN-MN	455189	16624	BU-SP	415991	16683261	FOOTE	415995
16515	C-R	1953	16545	C-R	7457N	16624	BU-SP	415991N	16683261	FOOTE	455013
16515	C-R	2025	16545	SKF	7457N	16626	C-R	3622	16683301	FOOTE	415027
16515	SKF	1953	16545LUP	JN-MN	415958	16626	SKF	3622	16683301	FOOTE	455027
16515	SKF	2025	165469	SPICE	410825	1663	ALOY	450519	1668331	FOOTE	450161
16517	C-R	2025	16546LUP	JN-MN	417505	1663	ALOY	471271	1668331	FOOTE	471764
16517	SKF	2025	16547LUP	JN-MN	417515	166300	NEHO	291099	16683321	FOOTE	455134
16518	C-R	224252	16548	C-R	224235	16636LUP	JN-MN	415483	16683331	FOOTE	416888
16518	SKF	224252	16548	SKF	224235	1663814	FORD	3771	16683331	FOOTE	455200
16519	C-R	224250	1654875C1	IH	710006	166437R91	IH	456618	16683341	FOOTE	415351
16519	SKF	224250	1654887C92	IH	39930	166488A	WHITE	410496	1668341	FOOTE	471795
16520	SIDEW	473458	16548LUP	JN-MN	455197N	16650	C-R	353141	1668351	FOOTE	473211
16521	C-R	224250	16549	C-R	710517	16650	SKF	353141	1668361	FOOTE	471192
16521	SKF	224250	16549	SKF	710517	166503	SPERY	471750	1668371	FOOTE	473215
16523	C-R	224250	16549LUP	JN-MN	455576	1665375C91	IH	4624V	1668391	FOOTE	473225
16523	C-R	224252	1654G	OSHKO	415088	1665544C1	IH	710211	1668489	CHRY5	351267
16523	SKF	224250	1654G	OSHKO	455088	16657	C-R	473317	1668489	CHRY5	471267
16523	SKF	224252	165510	JEFF	473016	16657	SKF	473317	16684C	DIA	415458
16524	OLIVE	470120	1655102C1	IH	370124A	16657F	DIA	475009N	16684C	DIA	455003
16524	OLIVE	471224	16553	C-R	710207	16658SS	JN-MN	416664	16684W	DIA	450095
16525	C-R	224255	16553	SKF	710207	16659	C-R	7022S	16684W	DIA	473464
16525	SKF	224255	16554LUP	JN-MN	455476	16659	SKF	7022S	16692	C-R	480479H
16525LDS	JN-MN	415052	16555	C-R	224270	16660M	CLARK	417548	16692	SKF	480479H
165263PTB	TRSCM	7457N	16555	SKF	224270	16667	C-R	203008	1669254	FORD	3774
16527	C-R	224255	16559	C-R	452086	16667	SKF	203008	16693	TRMBL	370020A

INTERCHANGE SECTION

COMPETITIVE INTERCHANGES



Mfr No.	Mfr. National	Mfr No.	Mfr. National	Mfr No.	Mfr. National	Mfr No.	Mfr. National
16696	BU-SP 470120	16818	C-R 200886	16889	SKF 2012V	1690215	CHALL 417487
16696	BU-SP 471224	16818	SKF 200886	1689046	STUDE 475380N	1690215	CHALL 455014
16696	C-R 480479H	16820	C-R 7381S	16893	C-R 3051N	1690222AM	CHALL 410308
16696	SKF 480479H	16820	SKF 7381S	16893	SKF 3051N	1690222AM	CHALL 450308
1669724	CHRY5 6879H	168213KC	TRSCM 1183	16896	C-R 224200	1690224	CHALL 450121
1669851	CHRY5 410308	168216	WHITE 471869	16896	SKF 224200	1690224	CHALL 472409
1669851	CHRY5 450308	168216	WHITE 473459	16897	C-R 320583	169022AM	CHALL 410308
1671152C2	IH 714713	168224	ALLCH 474276	16897	SKF 320583	169022AM	CHALL 450308
167131H1	IH 455018	168233TB	TRSCM 473317	16899F	DIA 456618	1690293AM	CHALL 40169S
167131H1	IH 476470	168235VHY	TRSCM 203008	16900	C-R 473236	16903	C-R 473236
1671340	CHRY5 6960	168235VHY	TRSCM 204008	16900	SKF 473236	16903	SKF 473236
167156	STUDE 5M81	168244SSB	TRSCM 480479H	1690006	CHALL 355732	1690305AP	CHALL 450389
167176	HYST 417602	168255TB	TRSCM 2146	1690006AM	CHALL 355732	1690305AP	CHALL 472492
1671763	CHRY5 8160S	168255TB	TRSCM 470460	1690007	CHALL 415082	1690386	STUDE 470898
16719	C-R 473234	168258TBJ	TRSCM 7300S	1690012	STUDE 350679	1690465	CHALL 471341
16719	SKF 473234	168263VHY	TRSCM 440265	1690012	STUDE 470954	1690468AP	CHALL 412040
16719LDS	JN-MN 472144	168265TB	TRSCM 473235	1690016	CHALL 415995	1690477	STUDE 410308
16720LDS	JN-MN 417555	1682683TL	TRSCM 470074	1690016	CHALL 455013	1690477	STUDE 450308
1672452	CATER 710013	1682713SL	TRSCM 450765	1690016AM	CHALL 415995	1690492	CHALL 327303
16725	C-R 2465	16842	C-R 470074	1690016AM	CHALL 455013	1690492AM	CHALL 327303
16725	SKF 2465	16842	C-R 474265	1690016BM	CHALL 415995	1690493	CHALL 345035
167268H1	HOUGH 40382	16842	SKF 470074	1690016BM	CHALL 455013	1690531AM	CHALL 416154
16727	C-R 7300S	16842	SKF 474265	1690021	CHALL 472394	1690534AM	CHALL 473215
16727	SKF 7300S	16848	SIDEW 204013	1690021AM	CHALL 472394	1690569	CHALL 415013
167302A	WHITE 8126S	1684LPD	JN-MN 416107	1690026	STUDE 470898	1690569	CHALL 415995
1673373	CHRY5 470487N	1684LPD	JN-MN 455073	1690059	STUDE 480630	1690598AM	CHALL 416154
16735	C-R 712146	1684OS	JN-MN 416107	1690073	CHALL 450069	1690659AM	CHALL 370020A
16735	SKF 712146	1684OS	JN-MN 455073	1690073	CHALL 473232	1690701AM	CHALL 370006A
1673838	CHRY5 7886S	16854	C-R 450765	1690074AM	CHALL 455005	1690752AM	CHALL 473227
16740LDS	JN-MN 415725	16854	SKF 450765	1690096	CHALL 471341	1690772	STUDE 410496
16743	C-R 40154S	1685551	STUDE 6808N	1690096CM	CHALL 471341	169084	ALLCH 450104
16743	SKF 40154S	16855W	DIA 416271	1690099	CHALL 417513	1690859	STUDE 411330N
167432	US-EL 415449	1685689	STUDE 410987	16901	C-R 3622	1691141C2	IH 455088V
16743LPD	JN-MN 453182	168572	JEFF 473236	16901	SKF 3622	1691143C1	IH 710008
16747	BU-SP 471472	168574	JEFF 412943	1690100	STUDE 473473	1691144C2	IH 4624V
16747	C-R 2146	168575	JEFF 415449	1690114	CHALL 470358	1691145C1	IH 415013N
16747	SKF 2146	168575	JEFF 455147	1690114	CHALL 473231	1691145C2	IH 415013N
16751LUP	JN-MN 416130	1685869	STUDE 410987	1690114AM	CHALL 470358	169114C1	IH 710006
16757	C-R 9178S	1686005	STUDE 410737	1690114AM	CHALL 473231	16917	C-R 710142
16757	SKF 9178S	1686188	STUDE 5487	1690143	CHALL 450185	16917	SKF 710142
16762LDS	JN-MN 416229	1686189	STUDE 455858	1690143	CHALL 473229	1691942	STUDE 410312N
16763LDS	JN-MN 417596	1686218	STUDE 411376	1690143AM	CHALL 450185	1691RC	SUL 417546
16769C	DIA 417238	1686218	STUDE 455093	1690143AM	CHALL 473229	169237	AU-WS 410059
16769SS	JN-MN 6863S	1686248	STUDE 5487	1690145	CHALL 450441	169237	AU-WS 470380
16780	NEWPR 714655	168629	WAUKE J1109	1690145	CHALL 471341	169237	B-L-H 410059
16781	CHRY5 714654	16865LDS	JN-MN 417600	1690172AM	CHALL 415027	169237	B-L-H 470380
16781	NPG 714654	16866	EATON 415013N	1690172AM	CHALL 455027	16924	C-R 710159
16787	C-R 710385	16866	EATON 415995V	1690190AM	CHALL 415027	16924	SKF 710159
16787	SKF 710385	168705	US-EL 455121	1690190BM	CHALL 415027	169256R1	SELAS 2146
16805	C-R 8516N	16871	C-R 7038SA	1690204	CHALL 350909	16926	C-R 710431
16805	SKF 8516N	16871	SKF 7038SA	1690204	CHALL 471224	16926	SKF 710431
1680802C1	IH 380003A	1688203C1	IH 370001A	1690204AM	CHALL 350909	1692G	OSHKO 471785
1680802C1	NAVST 370003A	1688203C1	NAVST 380001A	1690204AM	CHALL 471224	16932	C-R 710387
16811	C-R 440265	16884	DANMA 204002	1690205	CHALL 417350	16932	SKF 710387
16811	SKF 440265	1688428	STUDE 410308	1690205	CHALL 455479	169328	IH JV1166
16816	C-R 473235	1688428	STUDE 450308	1690205AM	CHALL 417350	169328C1	IH JV1166
16816	SKF 473235	1688762	STUDE 410737	1690213AM	CHALL 416339	169329C91	CASE 200851
16816LUP	JN-MN 417533	1688882	STUDE 410308	1690213AM	CHALL 455031	169329C91	IH 200851
168175	JEFF 415449	1688882	STUDE 450308	1690214AM	CHALL 450194	16933LUP	JN-MN 415449
168175	JEFF 455147	16889	C-R 2012V	1690214AM	CHALL 473010	16940	C-R 710615

INTERCHANGE SECTION

COMPETITIVE INTERCHANGES

Mfr No.	Mfr.	National	Mfr No.	Mfr.	National	Mfr No.	Mfr.	National	Mfr No.	Mfr.	National
16940	SKF	710615	1700846	AVANT	481837	17038	C-R	470687	17106	C-R	2955
169437	ALLCH	471795	1700847	AVANT	9912	17038	SKF	470687	17106	SKF	2955
16945	C-R	8516N	17009AA000	SUBAR	223830	1704	STEM	370036A	17107	C-R	2955
16945	SKF	8516N	17009AA010	SUBAR	223830	1704	STEM	370349A	17107	CATER	471689
1694898	STUDE	350414	17009AA030	SUBAR	223010	1704	STEM	380036A	17107	SKF	2955
1694898	STUDE	472311	17009AA040	TOYOT	710319	17040	DGASK	3393	17107	TMTR	471689
16960	C-R	470596	1700923	FMC	240470	17041	DGASK	710056	171075R91	IH	410519
16960	SKF	470596	1701	STEM	370025A	17042	DGASK	5116	171075R91	IH	471271
169634	US-EL	412943	1701	STEM	380025A	17043	DGASK	5118	171076R91	IH	410520
16965	C-R	710542	1701	STEM	386025A	17046	DGASK	228005	171076R91	IH	471272
16965	SKF	710542	170117	JEFF	415937	17048	DGASK	3772	1711	STEM	370048A
16970	C-R	710605	170122	JEFF	470163	1704OS	JN-MN	327303	1711	STEM	380048A
16970	SKF	710605	170122	JEFF	471766	1705	STEM	370031A	17110	C-R	8121S
16976	EATON	450094N	170123	JEFF	471689	1705	STEM	370065A	17110	SKF	8121S
16976	FULLE	450094N	170129	ALLCH	450269	1705	STEM	380031A	1711035	WOOL	415281N
16977	EATON	470737N	17013	DGASK	5591	1705	STEM	380065A	17112	MICH	471530
16978	EATON	J1111	17014	DGASK	228020	17050	DGASK	5108	17112	UNIVE	471530
16979	EATON	J1106	17015	DGASK	713750	17051	DGASK	5072	17113	C-R	710193
16984	C-R	320583	17016	DGASK	3698	17053	C-R	3747	17113	SKF	710193
16984	SKF	320583	17018	DGASK	5092	17053	SKF	3747	17113LUP	JN-MN	472636
169847	JEFF	471538	17018	SPICE	40140S	17053D	IH	471570	17115	C-R	6840S
16984LUP	JN-MN	471869	170180	JEFF	417316	17054	DGASK	3909	17115	SKF	6840S
16984LUP	JN-MN	473459	170180	JEFF	455004	17054LUP	JN-MN	450307	1712	STEM	370021A
16986LDS	JN-MN	417606	170182	JEFF	471567	1705540	WHITE	450095	17122	C-R	710264
16993	C-R	710836	17019	SPICE	450078	1705540	WHITE	473464	17122	SKF	710264
16993	SKF	710836	17019	SPICE	473444	1705548	WHITE	416271	1712271	CHRY	470354
169948C91	IH	472636	1702	STEM	370001A	170560	US-EL	473237	17124	C-R	50327
169971248	MERCE	1209	1702	STEM	380001A	1705821	HEIL	240119	17124	SKF	50327
16999	C-R	473446	17020LDS	JN-MN	415219	17059	DGASK	5419	171255TB	TRSCM	473336
16999	SKF	473446	170223PTBP	TRSCM	2955	1706	CHEL	410085	171255VB	TRSCM	442251
16A3116	MTR-C	472041	1702251	WHITE	470548	1706	CHEL	470530	1713	STEM	370019A
16A3116	MTR-C	473454	1702251	WHITE	470625	1706	STEM	370022A	17134	C-R	224450
16A3373	FED	471231	1702340	WHITE	415983N	1706	STEM	370131A	17134	SKF	224450
16A3810	FED	450593	1702530	WHITE	415959V	1706	STEM	380022A	17134M	DIA	415147
16A7342	FED	470059	1702530	WHITE	455995N	1706013	HEIL	470027	17134M	DIA	415449
16A7342	FED	470380	17026	C-R	710893	1706013	HEIL	471554	17135	C-R	450068
16A7415	FED	450291	17026	SKF	710893	1706014	HEIL	473426	17135	SKF	450068
16A7415	FED	471141	1702740	OSHKO	415023	17062LUP	JN-MN	417597	17136	C-R	450068
16A7628	FED	470027	170290	STUDE	450065	1706531	BMW	229005	17136	SKF	450068
16A7628	FED	471554	1703	STEM	370003A	1706933	HEIL	450067	17137	CHRY	714670
16A7639	FED	473215	1703	STEM	380003A	1706933	HEIL	473228	17137	NEWPR	714670
16B7400	FED	450094	17030	DGASK	5111S	1707	STEM	370023A	17142	C-R	224460
16B7400	FED	473462	1703035	HEIL	415449	1707	STEM	380023A	17142	SKF	224460
16D19	FMC	416556	1703035	HEIL	455147	170703	ALLCH	240319	17145	C-R	5836
16D19	FMC	472157	170304A	SELAS	710067	17076	DGASK	3393	17145	SKF	5836
16D20	FMC	471192	1703125	HEIL	415449	1708	STEM	370124A	17146	C-R	442251
16M943	UNIVE	450593	1703125	HEIL	455147	17080	DGASK	716102	17146	SKF	442251
16T12	ATHEY	412119	17032	DGASK	5414	1708443	WHITE	412119	17147	C-R	224462
16T12	ATHEY	450101	17033	DICO	470361	1708443	WHITE	450101	17147	SKF	224462
17001	C-R	710498	17033	DICO	472193	1708548	WHITE	450085	17148	C-R	224460
17001	SKF	710498	170330	JEFF	450519	1708548	WHITE	470530	17148	SKF	224460
17002	DGASK	5092	170330	JEFF	471271	1709	NATL	2064	17149	C-R	224464
17004	SPICE	40566S	1703339	WHITE	417171	1709	STEM	370037A	17149	SKF	224464
170041	SPICE	40566S	170337	ALLCH	481163	1709	STEM	370338A	17154	C-R	224460
170046	JEFF	415138	17034	DGASK	5117	170910	ALLCH	471689	17154	SKF	224460
17005	C-R	710105	1703454	WHITE	6460S	1709629	BMW	223542	17155	DICO	412920
17005	SKF	710105	17035	C-R	470086	1709814	FMC	471643	1715514	WHITE	412027
17007	C-R	471981	17035	SKF	470086	1710	STEM	370131A	1715672	WHITE	473203
17007	SKF	471981	17037	C-R	710105	17100	C-R	710067	17158M	DIA	410316
1700742	AVANT	5778	17037	SKF	710105	17100	SKF	710067	17158M	DIA	472636

INTERCHANGE SECTION

COMPETITIVE INTERCHANGES



Mfr No.	Mfr. National	Mfr No.	Mfr. National	Mfr No.	Mfr. National	Mfr No.	Mfr. National
1715N2	WHITE 471270	17199	DGASK 3698	17240	DGASK 3893V	17283	C-R 470351
1716	ALOY 3214	17199LDS	JN-MN 415379	17241	DGASK 710060	17283	SKF 470351
17160	C-R 224465	17199LDS	JN-MN 455379	17242	DGASK 3698	17284	C-R 470351
17160	SKF 224465	17200	DGASK 5591	17242VHY	TRSCM 43071S	17284	SKF 470351
171609	EL-MO 415379	17202	DGASK 228009	17243TB	TRSCM 470351	17285	C-R 471504
171609	EL-MO 455379	17205	DGASK 710060	17243TB	TRSCM 471504	17285	SIDEW 470548
171609	JEFF 415379	17206	DGASK 227020	172443TB	TRSCM 471831	17285	SIDEW 470625
171609	JEFF 455379	17207	DGASK 228250	172463	JEFF 470712	17285	SKF 471504
1716100	WHITE 5401	17208	DGASK 229005	1724D	GOODM 472015	17286	C-R 6936S
1716130	WHITE 416130	17209	DGASK 228009	17250	DGASK 231004	17286	C-R 9845
17162	C-R 50081	1721	ALOY 4148	17252VH	TRSCM 40494S	17286	SKF 6936S
17162	SKF 50081	1721	STEM 370132A	17253SSB	TRSCM 482164N	17286	SKF 9845
171628	HEIL 470045	17210	ALLCH 204002	17253TB	TRSCM 472164	17287	SIDEW 472299
171628	HEIL 476838	17210	DGASK 228410	17253VTB	TRSCM 451147H	172875SA	TRSCM 450291
17166	C-R 350609	17211	DGASK 228010	17253VTB	TRSCM 472164V	172875TA	TRSCM 471141
17166	SKF 350609	17213	DGASK 228009	17255	C-R 710345	1728M5	WHITE 471689
17167D	IH 471255	1721396	WHITE 45653S	17255	DGASK 228009	172942	CLIMX 415086N
17168	C-R 224465	17215	DGASK 228410	17255	SKF 710345	172942	CLIMX 417487
17168	SKF 224465	17216	DGASK 3772	172563VHY	TRSCM 203015	17298	C-R 710608
171683	JEFF 470219	17217	DGASK 3772	172563VHY	TRSCM 205015	17298	SKF 710608
171683	JEFF 471649	17218	DGASK 1021V	17257	C-R 482126	17300	C-R 710159
17170	DGASK 3698	17219	DGASK 1019	17257	DGASK 229210	17300	SKF 710159
171700	ALLCH 45013S	17220	DGASK 227045	17257	SKF 482126	173037TB	TRSCM 471984
17174	DGASK 227235	17221	DGASK 716102	1725831	WHITE 471795	173063TB	TRSCM 473313
17176	DGASK 5419	172210	JEFF 417205	17259	C-R 710476	173063TB	TRSCM 710005
17177	DGASK 2218	17221VB	TRSCM 340400	17259	SKF 710476	17307	C-R 710480
17178	DGASK 5065	17222	DGASK 227550	1725994	BMW 225530	17307	SKF 710480
17178LDS	JN-MN 472409	17222A	MASSE 473245	17259A	MASSE 472144	17308A	MASSE 450085
17179	DGASK 228010	17223	DGASK 228009	1726	STEM 370150A	17308A	MASSE 470530
1717N2	WHITE 417538	1722380	WHITE 415449	17260A	MASSE 417316	1730985	CHRYS 474278
17180	DGASK 4307V	1722380	WHITE 455147	17260A	MASSE 455004	1730985	CHRYS 6859S
17181	DGASK 4307V	17224	DGASK 227045	17261	C-R 473237V	17310	C-R 43071S
17183	DGASK 5591	17225	DGASK 228010	17261	SKF 473237V	17310	SKF 43071S
17185	DGASK 3772	1722546	WHITE 470120	17263TB	TRSCM 472185	17315	C-R 471831
17186	DGASK 710060	1722546	WHITE 471224	17265	C-R 7486S	17315	SKF 471831
17187	C-R 8705S	17226	DGASK 231004	17265	OPEL 204038	173153SM	TRSCM 482267
17187	DGASK 3393	1722607	WHITE 471466	17265	SKF 7486S	17316A	MASSE 417344
17187	SKF 8705S	1722652	WHITE 413246	172683SB	TRSCM 50289	17316A	MASSE 455006
17188	DGASK 39608	1722652	WHITE 413246N	1726DA	MASSE 417316	173193	ALLCH 412473
1718N2	WHITE 415449	17227	DGASK 228010	1726DA	MASSE 455004	173193	ALLCH 415894
1718N2	WHITE 455147	17228	DGASK 228008	17270	C-R 473237	173194	ALLCH 55301S
1719	ALLCH 471192	17228LUP	JN-MN 455134	17270	SKF 473237	173197	ALLCH 471887
1719	TRAC 471192	17229	DGASK 227040	17271	C-R 7486S	173232KM	TRSCM 6840S
17190	C-R 8460N	17230	DGASK 716102	17271	SKF 7486S	173234KBY	TRSCM 8121S
17190	SKF 8460N	17231	C-R 450400	172714TC	TRSCM 323119	173242VB	TRSCM 8705S
17191	C-R 710115	17231	DGASK 227530	172737	ALLCH 417555	17324A	MASSE 470409
17191	DGASK 228008	17231	SKF 450400	17273TB	TRSCM 472179	17327	C-R 100357
17191	SKF 710115	17232	DGASK 228010	17273TB	TRSCM 5827	17327	SKF 100357
1719115	WHITE 450400	17233	DGASK 228010	17273UA	TRSCM 200854	173275VHY	TRSCM 5836
1719137	WHITE 6597S	17234SB	TRSCM 482126	17273VHY	TRSCM 204002	173285PTBJ	TRSCM 8460N
17192	DGASK 228480	17234SP	TRSCM 7486S	1727592	FMC 472324	173305PTBP	TRSCM 6818
17193	C-R 710208	17236	DGASK 710258	1727593	FMC 473214	1733603	CHRYS 7188S
17193	DGASK 4307V	172361	CLIMX 240733	17276	SPICE 40769S	17340	C-R 494122
17193	SKF 710208	17236LUP	JN-MN 223014	1727607	WHITE 471538	17340	SKF 494122
17194	C-R 710283	172373TB	TRSCM 473237	17277	C-R 204503	1734152	BENDI 417343
17194	DGASK 4307V	1723758	FMC 470390	17277	SKF 204503	173422SP	TRSCM 7607
17194	SKF 710283	17239	DGASK 2377	1728	STEM 370047A	173463	JEFF 470712
17195	DGASK 4359V	1723903	WHITE 473473	17280	C-R 9845	1734913	CHRYS 8773S
17196	DGASK 710075	1724	STEM 370009A	17280	SKF 9845	1734RC	SUL 471648
17198	DGASK 228700	1724	STEM 380009A	1728192	WHITE 5778	17350	C-R 710480

INTERCHANGE SECTION

COMPETITIVE INTERCHANGES

Mfr No.	Mfr. National	Mfr No.	Mfr. National	Mfr No.	Mfr. National	Mfr No.	Mfr. National
17350	SKF 710480	174137	CLIMX 455070	17488	SKF 204038	17600	CASE 472924
17353	C-R 710389	17415	C-R 204502	174938	JEFF 320457	17605	C-R 473447
17353	SKF 710389	17415	SKF 204502	17497	SPICE 471689	17605	SKF 473447
17358	C-R 473157	17418M1	FREIG 471413	17497	VIC 471689	1760654	FORD 710279
17358	SKF 473157	1742252	WHITE 413469	17490S	JN-MN 450301	17607	C-R 323119
173713	AU-LI 471765	174227JX	MICH 200600	17490S	JN-MN 472397	17607	SKF 323119
173735	ALLCH 415991	17425	EATON 415027N	17502	C-R 710062	17617	C-R 200354
173735	ALLCH 415991N	174277	HYST 412473	17502	SKF 710062	17617	SKF 200354
1737771	CHRYS 3103	174277	HYST 415894	175038	FORD 450070	17618	C-R 200354
17379	C-R 482164N	17431	WHITE 415001	175038	FORD 472185	17618	SKF 200354
17379	SKF 482164N	17431	WHITE 455001	175088	ALLCH 415138	17620	C-R 200600
17381	C-R 472164V	17435	C-R 1992	1751	CABOT 471689	17620	SKF 200600
17381	SKF 472164V	17435	SKF 1992	175155	JEFF 415483	176234	US-EL 473239
1738263	CHRYS 6879H	17436	SCHWI 473225	175155	JEFF 455368	17624	C-R 712260
17382A	MASSE 450194	17442	C-R 450070	1751702M1	MASSE 351267	17624	SKF 712260
17382A	MASSE 473010	17442	C-R 472185	1751702M1	MASSE 471267	176256	US-EL 455480
17383A	MASSE 470169	17442	SKF 450070	17520	C-R 710428	17627A	MASSE 412119
17383A	MASSE 473214	17442	SKF 472185	17520	SKF 710428	17627A	MASSE 450101
173849	JEFF 450316	17443	C-R 472185	17521	C-R 710428	17629	C-R 224520
173849	JEFF 472636	17443	SKF 472185	17521	SKF 710428	17629	SKF 224520
173857	ALLCH 471984	17444	C-R 4950	17521	TRMBL 370023A	176364	HYST 471138
17386	C-R 451147H	17444	SKF 4950	17521	WHITE 370023A	1764292	GMC 473471
17386	SKF 451147H	17445	C-R 710786	17521	WHITE 380023A	17645	C-R 471141
17387	C-R 472164	17445	SKF 710786	17522	TRMBL 370007A	17645	SKF 471141
17387	SKF 472164	17448	C-R 472185V	175223SA	TRSCM 450400	17646	C-R 710484
173883	JEFF 450352	17448	SKF 472185V	17523	C-R 472179	17646	SKF 710484
173883	JEFF 472164	17455557	AUTSP 472826	17523	SKF 472179	17653	C-R 471141
1738831	CHRYS 5126	17456	C-R 450070	1752N2	WHITE 417538	17653	SKF 471141
17392	C-R 7834	17456	C-R 472185	1753532M1	MASSE 471554	17657	C-R 471141V
17392	SKF 7834	17456	SKF 450070	17542	SPICE 40286	17657	SKF 471141V
17392LUP	JN-MN 1012N	17456	SKF 472185	17544	C-R 472179	17658	C-R 239155
17393TB	TRSCM 476820	174573	ALLCH 472029	17544	SKF 472179	17658	SKF 239155
17395	C-R 472164V	174574	ALLCH 415995	1754835M1	MASSE 340724	17659	C-R 224200
17395	SKF 472164V	174574	ALLCH 455013	175559	JEFF 417511	17659	SKF 224200
17395601	JOHND 416327	17458	C-R 4950	17557	C-R 472179	1765RC	SUL 412119
173968	JEFF 450400	17458	SKF 4950	17557	SKF 472179	1765RC	SUL 450101
173970	JEFF 450183	17459	C-R 4950	17558	C-R 472179	17667	C-R 224570
173970	JEFF 472179	17459	MALL 471571	17558	SKF 472179	17667	SKF 224570
1740273	WHITE 370007A	17459	SKF 4950	1756903	BORGW 455290	176681R91	IH 450593
174029	CLIMX 417487	17460	SPICE 472354	1756904	BORGW 415991	17670LDS	JN-MN 473238
174029	CLIMX 455014	17460	SPICE 50395S	1756904	BORGW 455146	17671	C-R 471141
17403	MAGNA 4813V	1746312	SPICE 415027	1756904	MERIX 415991	17671	SKF 471141
17403	NEWPR 4813V	17468	BU-SP 415072	1756904	MERIX 455146	17673	C-R 224570
17404	C-R 472193	17468	C-R 710867	1756904	ROCKW 415991	17673	SKF 224570
17404	SKF 472193	17468	SKF 710867	1756904	ROCKW 455146	17674	C-R 6949S
17405LUP	JN-MN 224025	17472X	MASSE 472439	1756OS	JN-MN 416339	17674	SKF 6949S
17406	C-R 203015	17475LDS	JN-MN 415027	1756OS	JN-MN 455031	17678	C-R 473448
17406	SKF 203015	17476LDS	JN-MN 415227	175732H1	HOUGH 471424	17678	SKF 473448
174069H1	HOUGH 472018	17478	SPICE 40769S	175732H1	IH 471424	17679	C-R 710521
174069H1	IH 472018	174783	SPICE 40769S	175938	JEFF 416888	17679	SKF 710521
17407	C-R 710474	174826	JEFF 470548	175938	JEFF 455200	17685	SIDEW 471192
17407	SKF 710474	174826	JEFF 470625	17593LDS	JN-MN 415027	17686	C-R 710847
174099H1	HOUGH 416229	17484	C-R 470334	17599	C-R 5827	17686	SKF 710847
174099H1	IH 416229	17484	SKF 470334	17599	SKF 5827	17687LDS	JN-MN 473231
174099H2	IH 416229	17485	C-R 200854	175991	JEFF 473405	17688LDS	JN-MN 471424
17410D	IH 417247	17485	SKF 200854	175A4	WHITE 450316	17691LDS	JN-MN 471692
17413	C-R 473796	174854	ALLCH 415027	175A4	WHITE 472636	176927	CUMMI 2291
17413	SKF 473796	174854	ALLCH 455027	175F1	KEN 471689	17694LDS	JN-MN 471224
174136	CLIMX 415937	17486LUP	JN-MN 472299	175G	OSHKO 455006N	17695	C-R 473448
174137	CLIMX 416865	17488	C-R 204038	175K1	WHITE 240151	17695	SKF 473448

INTERCHANGE SECTION

COMPETITIVE INTERCHANGES



Mfr No.	Mfr. National	Mfr No.	Mfr. National	Mfr No.	Mfr. National	Mfr No.	Mfr. National
17699	C-R 471984	17750	SKF 224520	17775	WHITE 415147	17914	C-R 710868
17699	SKF 471984	17751	C-R 210945	17775	WHITE 415449	17914	SKF 224660
176G	OSHKO 450095	17751	SKF 210945	17803	C-R 710525	17914	SKF 710868
176G	OSHKO 473464	17752	C-R 224520	17803	SKF 710525	17914	US-EL 450070
177000	JEFF 412871	17752	SKF 224520	17804	SUPER 418028	17914	US-EL 472185
177000	JEFF 450329	17753	C-R 710078	17804	SUPER 455137	179147	ALLCH 416865
17701LUP	JN-MN 471785	17753	SKF 710078	17806	C-R 321460	17915	C-R 710128
17702	C-R 204501	17754	C-R 1012N	17806	SKF 321460	17915	SKF 710128
17702	C-R 471984	17754	C-R 494122	178070	CLIMX 473238	1791590	CHRY5 5778
17702	SKF 204501	17754	SKF 1012N	17808	C-R 710248	179164H1	IH 417357
17702	SKF 471984	17754	SKF 494122	17808	SKF 710248	1791687	CHRY5 410308
17707	C-R 471984	17756	C-R 455536	17810	C-R 452742	1791687	CHRY5 450308
17707	SKF 471984	17756	SKF 455536	17810	SKF 452742	1791688	CHRY5 470898
177070	CLIMX 473238	17756LDS	JN-MN 473226	17811	C-R 452742	1791717	CHRY5 40316S
17708	C-R 710887	17757	C-R 1992	17811	SKF 452742	179177	ALLCH 455655
17708	SKF 710887	17757	SKF 1992	17815	C-R 7607	17918	C-R 710790
17710182	EL-PA 450194	17757LDS	JN-MN 472179	17815	SKF 7607	17918	SKF 710790
17710182	EL-PA 473010	17758	C-R 710345	17817LUP	JN-MN 472150	17919	C-R 710838
177128	STUDE 40337S	17758	SKF 710345	17821	C-R 50266	17919	SKF 710838
17717	C-R 1992	17759	C-R 1992	17821	SKF 50266	1791963	CHRY5 40769S
17717	SKF 1992	17759	SKF 1992	178223TB	TRSCM 321460	1792131	CHRY5 450639
17718	C-R 473313	17762	C-R 1992	178253TA	TRSCM 452742	1792140	CHRY5 470506
17718	SKF 473313	17762	SKF 1992	178263SB	TRSCM 50266	179275VB	TRSCM 6781
17719	C-R 710783	17763	C-R 494122	1782683SL	TRSCM 450269	17929	BU-SP 416271
17719	SKF 710783	17763	SKF 494122	1782A2	WHITE 330385	17929	KOEH 416271
177190	JEFF 416107	17771	C-R 476820	17832	C-R 450269	17936	EATON 415437
177190	JEFF 455073	17771	SKF 476820	17832	SKF 450269	17936	EATON 455173
177191	JEFF 412473	17773	C-R 224570	1783301	SIDEW 470351	1794110	CHRY5 473458
177191	JEFF 415894	17773	SKF 224570	1783301	SIDEW 471504	1794135	CHRY5 410520
17720	C-R 710005	17775	C-R 9845	178345	HYST 415294	1794135	CHRY5 471272
17720	SKF 710005	17775	C-R 9845V	17836	C-R 6781	1794149	CHRY5 470954
17726	C-R 482267	17775	SKF 9845	17836	SKF 6781	1794206	CHRY5 415483
17726	SKF 482267	17775	SKF 9845V	178446	HYST 482163N	1794206	CHRY5 455368
17727	C-R 6818	17778	C-R 1943	17846LDS	JN-MN 417020	179424	ALLCH 55563
17727	SKF 6818	17778	C-R 224570	17847	C-R 450285	17943	C-R 710302
17728	C-R 710484	17778	SKF 1943	17847	SKF 450285	17943	SKF 710302
17728	SKF 710484	17778	SKF 224570	178481	JEFF 471647	1794312	CHRY5 416130
17729	C-R 224460	17779LDS	JN-MN 415027	17849	C-R 4072N	179447R91	IH 35949N
17729	SKF 224460	17780LDS	JN-MN 417598	17849	SKF 4072N	1795192	CHRY5 6808N
1772RC	SUL 416288	17782	C-R 1979	17851	C-R 480281	17952LUP	JN-MN 415349
17730	C-R 224520	17782	SKF 1979	17851	SKF 480281	1795358	CHRY5 417485
17730	SKF 224520	17783	C-R 1979	178566	FUNK 415138	17953LDS	JN-MN 472213
17731LDS	JN-MN 415303	17783	SKF 1979	178791	JOY 417511	17955	C-R 710161
17733	C-R 710289	17784	C-R 224510	178813	JEFF 470219	17955	SKF 710161
17733	SKF 710289	17784	SKF 224510	178813	JEFF 471649	1795508	CHRY5 6808N
17734	C-R 1992	17787	C-R 714075	17886LUP	JN-MN 417563	17959LDS	JN-MN 416865
17734	SKF 1992	17787	SKF 714075	178874	WAUKE 415984	179603	HYST 417545
17736	C-R 1012N	17788	C-R 710521	17897	C-R 224650	179618	ALLCH 415867
17736	SKF 1012N	17788	SKF 710521	17897	SKF 224650	179633	HYST 415962
17737	SUPER 415254	17788LDS	JN-MN 417602	179030	CHRY5 5526	179643	ALLCH 415023
17739	SUPER 455019	177896	ALLCH 340787	179030	DODM 5526	17972LDS	JN-MN 417181
17742	C-R 494122	17790	C-R 1012N	17905	C-R 444116	179737	ALLCH 352541
17742	SKF 494122	17790	SKF 1012N	17905	SKF 444116	1797558	CHRY5 415988
177431H1	IH 470954	17792	C-R 1953	17907	C-R 710289	1799582	CHRY5 411348
177433	ALLCH 415025	17792	SKF 1953	17907	SKF 710289	17B528	UNIVE 340724
17745LUP	JN-MN 481864	17793LUP	JN-MN 472439	17908	C-R 710891	17DH4300	DURA 470027
17746	C-R 470088	177949	US-EL 471766	17908	SKF 710891	17DH4300	DURA 471554
17746	SKF 470088	17794LUP	JN-MN 473204	17909	C-R 444116	17DH430A	DURA 471231
17746LDS	JN-MN 416239	17795	C-R 224570	17909	SKF 444116	17DH430AAS	DURA 473236
17750	C-R 224520	17795	SKF 224570	17914	C-R 224660	17DH430B	DURA 471570

INTERCHANGE SECTION

COMPETITIVE INTERCHANGES

Mfr No.	Mfr.	National	Mfr No.	Mfr.	National	Mfr No.	Mfr.	National	Mfr No.	Mfr.	National
17DH430BB	DURA	471267	1804414	GMC	410987	18124	SKF	350609	1822836C1	IH	5723
17DH430D	DURA	450039	1804414	GMC	450103	18125	MICH	450536	182293	JEFF	450441
17DH430DD	DURA	472705	18049	C-R	5133	18125	MICH	471535	182293	JEFF	471341
17DH430F	DURA	470219	18049	SKF	5133	18125	UNIVE	471535	182294	JEFF	417596
17DH430F	DURA	471649	18050	C-R	203006	181254VHY	TRSCM	203006	18231	US-EL	474255
17DH430K	DURA	471765	18050	SKF	203006	181265TBJ	TRSCM	8181NA	1823404C1	IH	5723
17DH430L	DURA	473426	18055	C-R	44053	18127	C-R	7186S	182387	JEFF	450519
17DH430M	DURA	471750	18055	SKF	44053	18127	SKF	7186S	182387	JEFF	471271
17DH430O	DURA	470027	180562	US-EL	415984	181287C1	CASE	473240	1824075	CHRY5	330663
17DH430O	DURA	471554	180586	FMC	471354	181287C1	IH	473240	1824075	CHRY5	472354
17DH430OS	DURA	470027	180587	FMC	470219	181288C1	IH	470565	18242	C-R	473450
17DH430OS	DURA	471554	180587	FMC	471649	181313PTB	TRSCM	7044NA	18242	SKF	473450
17DH430T	DURA	450154	1805B54	HU-WR	450083	18132	C-R	224650	18242D	IH	416339
17DH430T	DURA	473234	1805B54	HU-WR	472924	18132	SKF	224650	18242D	IH	455031
17DH430Y	DURA	470712	180612	ALLCH	415683	18134LDS	JN-MN	416865	18242VB	TRSCM	7934S
17DH430YS	DURA	470712	1806380C91	IH	714470	18136	C-R	3604	182455	JEFF	473237
17DH579	DURA	472658	180689	HYST	472924	18136	SKF	3604	182473TB	TRSCM	472747
17DH579	DURA	473197	1807783C1	IH	J1127	181361	US-EL	416380	182502VHY	TRSCM	340823
17DH663	DURA	470358	180847C1	IH	39958	181363	US-EL	473517	182503SB	TRSCM	350823
17DH663	DURA	473231	1808751C91	IH	5066	181364	US-EL	415991	182512	JEFF	418029
17G170	OSHKO	415023	18096	C-R	710472	181364	US-EL	415991N	182512	JEFF	455499
17G91	OSHKO	415023	18096	SKF	710472	18137	UNIVE	471551	182513	JEFF	55419
17GX91	OSHKO	415023	1809797	MCKIN	416865	1814607C1	IH	J2228	182514	JEFF	456105
17R528	MTR-C	340724	1809964C92	IH	5624	18148D	IH	415066	18253SSB	TRSCM	482041N
17T12	ATHEY	415988	18099LUP	JN-MN	415563	18149	C-R	7600S	18253X	MASSE	471424
17T12	FRUEH	415988	18099LUP	JN-MN	417433	18149	SKF	7600S	182564PTBJ	TRSCM	2692
18000	C-R	710397	18100	C-R	3618	18151	NEWPR	3459	182564PTBJ	TRSCM	2942
18000	SKF	710397	18100	C-R	8181NA	18151D	IH	417316	182564PTBJ	TRSCM	441853
180008M1	MASSE	6336S	18100	MICH	472705	18151D	IH	455004	182566	JEFF	415035
1800106003	BUDD	370025A	18100	SKF	3618	18152F	OSHKO	415086N	182566	JEFF	455035
180029	CHRY5	5399	18100	SKF	8181NA	18152F	OSHKO	417487	182567	JEFF	417357
180029	DODM	5399	18100D	IH	450085	181580	JEFF	473452	182567	JEFF	455192
180030	CHRY5	5531	18100D	IH	470530	18159	C-R	473449	182568	JEFF	470682
180030	DODM	5527	18101	C-R	710521	18159	SKF	473449	182569	JEFF	410694
18005	C-R	100537	18101	SKF	710521	1816046C1	IH	3894V	18258	C-R	5070
18005	SKF	100537	18102	C-R	710495	1816046C2	IH	3894V	18258	SKF	5070
18009	C-R	4249	18102	SKF	710495	1816558C91	IH	39608	182591	JEFF	412871
18009	SKF	4249	18104	C-R	472070	1816559C91	IH	39608	182591	JEFF	450329
18014	C-R	224663	18104	SKF	472070	181692	HYST	416921	182614	HYST	471341
18014	SKF	224663	18106	C-R	100537	1817B1	REO	370023A	1826167	CHRY5	7013S
18015	C-R	710768	18106	SKF	100537	18173	NEWPR	4741	182623VB	TRSCM	6985
18015	SKF	710768	18107	C-R	710754	181737	HYST	471766	18263SSB	TRSCM	331227H
18021	EATON	35949N	18107	SKF	710754	18175	FMC	204002	18263TB	TRSCM	472439
18022A	MASSE	470543	18108	C-R	710663	1818772C1	IH	714470	18264	C-R	7044NA
18022A	MASSE	474272	18108	SKF	710663	18190	C-R	3604	18264	SKF	7044NA
1802382	FORD	7381S	1810879	MCKIN	472394	18190	SKF	3604	1826719	CHRY5	7216
18024	C-R	4278	1810883	MCKIN	410312N	181937	ALLCH	416865	18268	C-R	481992
18024	SKF	4278	181103	ALLCH	417352	1819733C91	IH	39608	18268	SKF	481992
18030	C-R	710409	181103	ALLCH	418028	18198	BU-SP	7208S	1826C	GOODM	450316
18030	SKF	710409	1811035	WOOL	415036	181W287	CONE	5531	1826C	GOODM	472636
18032	BU-SP	415991	18112	MICH	471281	182	CALI	417223	1826D	GOODM	450316
18036LUP	JN-MN	471141	18112	UNIVE	471281	18201	DIVCO	473215	1826D	GOODM	472636
18038	BU-SP	472636	181153	JEFF	411376	182067	ALLCH	340151	18273TA	TRSCM	450117
18039	C-R	451817	181153	JEFF	455093	182091	HYST	472258	18273TB	TRSCM	3946
18039	SKF	451817	1812329C91	IH	5723	182200118	BORGW	415995	18273TB	TRSCM	472572
1804009C91	IH	3894V	1812329C92	IH	5723	182200118	BORGW	455013	18274SP	TRSCM	3604
1804009C91	IH	5066	1812329C94	IH	5723	182200118	IG-RA	415995	18274SSBJ	TRSCM	6712NA
1804010C91	IH	3893V	181234VB	TRSCM	444116	182200118	IG-RA	455013	18274TA	TRSCM	414045
1804010C91	IH	39608	18124	BU-SP	417486	182274VHY	TRSCM	7600S	18275TBJ	TRSCM	9449
18041	BU-SP	471192	18124	C-R	350609	1822834C91	IH	5723	18276	C-R	6930

INTERCHANGE SECTION

COMPETITIVE INTERCHANGES



Mfr No.	Mfr. National	Mfr No.	Mfr. National	Mfr No.	Mfr. National	Mfr No.	Mfr. National
18276	SKF 6930	18408	SKF 291295	18489A	MASSE 470950	18544	C-R 2692
182778	HARN 415725	1840847M1	MASSE 415234	18489A	MASSE 6241S	18544	SKF 2692
1827D	GOODM 412920	1841007	BR-WN 471765	1848OS	JN-MN 415124	1854449	CHRY5 330663
1827D	GOODM 450132	18412	C-R 471841	18491	C-R 710596	1854449	CHRY5 472354
18283SB	TRSCM 483238V	18412	SKF 471841	18491	SKF 710596	1854449	GMC 330663
18283SP	TRSCM 9912	18412LDS	JN-MN 415259	18492	C-R 332062	1854449	GMC 472354
18283TB	TRSCM 473238	18415	C-R 6960	18492	SKF 332062	18545	C-R 472747
182843KBY	TRSCM 5699	18415	SKF 6960	184926	HYST 415138	18545	SKF 472747
18285SP	TRSCM 2689S	184160	STUDE 5778	184947	HYST 416556	18546	C-R 2942
18285TBJ	TRSCM 5126	18419LDS	JN-MN 471831	184947	HYST 472157	18546	C-R 4528N
1828719	CHRY5 7216	184232	JEFF 415991	18496	C-R 224650	18546	SKF 2942
1828OS	JN-MN 417596	184232	JEFF 455146	18496	SKF 224650	18546	SKF 4528N
18292VM	TRSCM 6064	184242VAY	TRSCM 291295	18499	C-R 710660	18548	C-R 2692
182992VB	TRSCM 203034	18425	C-R 473451	18499	SKF 710660	18548	SKF 2692
183003TB	TRSCM 473239	18425	SKF 473451	1849949	GMC 471442	18549	C-R 353120
18303TB	TRSCM 473457	18426LUP	JN-MN 470354	185009	STUDE 470074	18549	SKF 353120
18303VSB	TRSCM 8165	18442	C-R 100552	185009	STUDE 474265	18550	C-R 5458
1831	CLARK 450593	18442	SKF 100552	185031	JEFF 455330	18550	SKF 5458
183105SBP	TRSCM 7216	18443	C-R 710501	185031	O-M 455330	18551	C-R 5458
18313SP	TRSCM 6808N	18443	SKF 710501	185064M91	MASSE 7790H	18551	SKF 5458
18314	FAIRB 470045	18444	C-R 470331N	18507	C-R 4503N	18555	C-R 482041N
18314	FAIRB 476838	18444	SKF 470331N	18507	SKF 4503N	18555	SKF 482041N
18314PSP	TRSCM 9316	18446	C-R 473452	185076	HYST 415041	185559	STUDE 470120
18319SP	TRSCM 3195	18446	SKF 473452	18508	C-R 331227H	185559	STUDE 471224
183214	CONCA 471413	18446323	SPICE 415013N	18508	SKF 331227H	185560	STUDE 471750
18325	DIVCO 450094	18446323	SPICE 415995V	18509	C-R 710551	18558	C-R 340823
18325	DIVCO 473462	18450	C-R 710320	18509	SKF 710551	18558	SKF 340823
18328	FAIRB 471137	18450	SKF 710320	18510	C-R 8521S	18558D	IH 473447
18328	HUGKE 471137	184517	GOODM 415138	18510	SKF 8521S	18559	C-R 2942
18328M1	CR-CF 471137	18452	C-R 224820	1851001	BR-WN 411376	18559	SKF 2942
18331	FAIRB 450040	18452	SKF 224820	18512	C-R 710886	1856001	BR-WN 415563
18334TA	TRSCM 410524	18458	C-R 710191	18512	SKF 710886	1856001	BR-WN 417433
18336	SPICE 450291	18458	FITZ 2955	18512	TIMKE 710886	18562	C-R 350936
18336	SPICE 471141	18458	SKF 710191	18513	C-R 710784	18562	SKF 350936
18342702	EL-PA 473458	18459	FITZ 2955	18513	SKF 710784	18564LPD	JN-MN 417513
1834635C91	IH 710901	184596	STUDE 450030	18515	C-R 714675	18565	C-R 350823
1834638	SPICE 455006N	184596	STUDE 474253	18515	SKF 714675	18565	C-R 473454
1835376C1	NAVST 710890	184631	SPICE 473016	18516	SPICE 450067	18565	C-R 482041N
18355	SPICE 410308	184636	SPICE 470682	18516	SPICE 473228	18565	SKF 350823
18355	SPICE 450308	184638	SPICE 471466	1851747M1	MASSE 410520	18565	SKF 473454
18356392	EL-PA 471750	184639	SPICE 472635	1851747M1	MASSE 471272	18565	SKF 482041N
18365	SIDEW 473446	18463LUP	JN-MN 473205	18518A	MASSE 472354	18567X	MASSE 471442
1837597C1	IH 710890	18465	C-R 710215	18518A	MASSE 50395S	1857001	BR-WN 415447
18375LUP	JN-MN 1979	18465	SKF 710215	185198H1	HOUGH 455035N	1857002	BR-WN 471424
183847H1	HOUGH 415021	18472	C-R 714675	185209	HOUGH 415035	1857003	BR-WN 40140S
18384D	IH 410987	18472	SKF 714675	185209	IH 415035	1857005	BR-WN 471652
18384D	IH 450103	1847386	GMC 450030	185209H1	IH 455035N	185705R91	IH 6638S
183959	STUDE 450043	1847386	GMC 474253	18521	C-R 4528N	18577	C-R 712692
183959	STUDE 473419	18475	OLIVE 450067	18521	SKF 4528N	18577	SKF 712692
18396LUP	JN-MN 416154	18475	OLIVE 473228	185215C1	IH 473228	18580	C-R 472439
183W14	CR-CF 470045	18478	C-R 710595	185312	JEFF 417196	18580	SKF 472439
183W14	CR-CF 476838	18478	SKF 710595	18532LUP	JN-MN 416670	1858007	BR-WN 416364
183W28	CR-CF 471137	18480	C-R 714675	18536	C-R 8362	18581	C-R 472439
18402	SPICE 41787S	18480	SKF 714675	18536	SKF 8362	18581	SKF 472439
1840201	SIDEW 471821	18487	MASSE 473471	18539A	MASSE 471267	18584	C-R 472439V
184021	SPICE 41787S	18487A	MASSE 473471	18539LDS	JN-MN 1979	18584	SKF 472439V
184023	SPICE 41787S	18488	C-R 710150	18542LUP	JN-MN 417362	185877	HYST JV1166
184025	SPICE 41787S	18488	SKF 710150	18543	C-R 7934S	18591	C-R 40071S
18408	C-R 291295	18489	C-R 710143	18543	SKF 7934S	18591	SKF 40071S
18408	SIDEW 472397	18489	SKF 710143	185433R91	IH 450143	18592	C-R 331227H

INTERCHANGE SECTION

COMPETITIVE INTERCHANGES

Mfr No.	Mfr.	National	Mfr No.	Mfr.	National	Mfr No.	Mfr.	National	Mfr No.	Mfr.	National
18592	SKF	331227H	18701	C-R	100712V	18757	C-R	482041N	18844D	IH	412473
18603	C-R	6985	18701	SKF	100712V	18757	SKF	482041N	18844D	IH	415894
18603	SKF	6985	18706	C-R	719316	18757	SPICE	340151	18849	C-R	100944
1860325M1	MASSE	470334	18706	SKF	719316	18757	VIC	340151	18849	SKF	100944
186063	BENDI	415027	18708	C-R	5126	187571	SPICE	340151	18852	C-R	710481
186083	STUDE	450084	18708	C-R	8515N	187572	SPICE	340151	18852	SKF	710481
18615	MERIX	473232	18708	SKF	5126	18758	C-R	3946	18854	C-R	224840
18615	ROCKW	473232	18708	SKF	8515N	18758	SKF	3946	18854	SKF	224840
18623	C-R	710388	18708LPD	JN-MN	415077	18759	C-R	710452	1885665	GMC	340771
18623	SKF	710388	18709LPD	JN-MN	415116	18759	SKF	710452	18857	C-R	710356
18626	C-R	471868	1870OS	JN-MN	415991	18759AB	CASE	455566	18857	SKF	710356
18626	SKF	471868	1870OS	JN-MN	455146	18761	C-R	710557	18860	C-R	4333N
18630	C-R	200752	1871	GOODM	471733	18761	SKF	710557	18860	SKF	4333N
18630	SKF	200752	18710	C-R	2689S	187629	STUDE	473441	18862	C-R	710320
186417	HYST	473239	18710	SKF	2689S	18763	C-R	710211	18862	SKF	710320
186418	HYST	415138	18711	C-R	473445	18763	SKF	710211	188631	US-EL	415327
1864750	GMC	470045	18711	SKF	473445	18765	C-R	5697	18864	C-R	1188
1864750	GMC	476838	18711LPD	JN-MN	417596	18765	SKF	5697	18864	SKF	1188
1865517	GMC	470059	18715	C-R	710964	1876897C1	IH	710901	1886436	GMC	471137
1865517	GMC	470380	18715	SKF	710964	18769	SIDEW	473214	18865	C-R	224820
18657	C-R	450117	18718	C-R	710654	18769D	IH	417487	18865	SKF	224820
18657	C-R	472572	18718	SKF	710654	18769D	IH	455014	18866	C-R	710758
18657	SKF	450117	187189R91	IH	40769S	18770	SIDEW	472179	18866	SKF	710758
18657	SKF	472572	18719	C-R	450082	187705	JEFF	415007	1886996	GMC	240698
18658	C-R	472572	18719	C-R	473238	18770D	IH	470059	1887083	GMC	450030
18658	SKF	472572	18719	SKF	450082	18770D	IH	470380	1887083	GMC	474253
18659	SPICE	450039	18719	SKF	473238	18771	C-R	710664	18872	C-R	473457
18662	C-R	3946	18720LUP	JN-MN	472029	18771	SKF	710664	18872	SKF	473457
18662	SKF	3946	187212R91	IH	450143	18772	C-R	6064	18873	C-R	1994
18671	C-R	473179	18724	C-R	710837	18772	SKF	6064	18873	SKF	1994
18671	SKF	473179	18724	SKF	710837	18778LUP	JN-MN	475384	18876	C-R	710255
1867150	GMC	470027	18725	C-R	100086	18785	C-R	450084	18876	SKF	710255
1867150	GMC	471554	18725	SKF	100086	18785	SKF	450084	18877	C-R	716484
18674K	IH	450043	18727	C-R	710337	187863	CUMMI	2291	18877	SKF	716484
18674K	IH	473419	18727	SKF	710337	187984H1	IH	450519	18878	C-R	710645
186756X1	IH	416271	1872OS	JN-MN	327303	187984H1	IH	471271	18878	SKF	710645
18676	C-R	473179	18730	C-R	100712V	18798LUP	JN-MN	481443	18879	C-R	473240
18676	SKF	473179	18730	SKF	100712V	18799LUP	JN-MN	450516	18879	SKF	473240
186761	JEFF	470059	18731	C-R	9912	188007	JEFF	455462	18881	C-R	3195
186761	JEFF	470380	18731	SKF	9912	1880472	GMC	471466	18881	SKF	3195
186768R91	IH	40769S	18732	C-R	473238V	1880BAGE	SABO	4564V	188856	HYST	415035
186769R91	IH	40769S	18732	C-R	483238V	18810	KOEK	412861	188856	HYST	415953
186780	CUMMI	39821	18732	SKF	473238V	18810LUP	JN-MN	225875	18888	C-R	6808N
186786R91	IH	40769S	18732	SKF	483238V	1881115	GMC	411376	18888	SKF	6808N
18687	C-R	4503N	18733	C-R	450082	1881115	GMC	455093	18889	C-R	715100
18687	SKF	4503N	18733	C-R	473238	18813A	MASSE	473227	18889	SKF	715100
1868OS	JN-MN	416666	18733	SKF	450082	18817	C-R	473239	18891	C-R	9316
18692	C-R	6712NA	18733	SKF	473238	18817	SKF	473239	18891	SKF	9316
18692	SKF	6712NA	18734	C-R	473238	18818	C-R	8165	18892	C-R	710661
18693	C-R	1959	18734	SKF	473238	18818	SKF	8165	18892	SKF	710661
18693	SKF	1959	18737	C-R	473238V	188185	US-EL	472015	18896	C-R	719316
18695	C-R	1959	18737	SKF	473238V	188252VC	TRSCM	9049N	18896	SKF	719316
18695	C-R	414045	18741	C-R	100715V	188282R1	SELAS	5126	1889633	ALLCH	473436
18695	SKF	1959	18741	SKF	100715V	18833	C-R	7044NA	1889633	GMC	473436
18695	SKF	414045	18747A	HEIL	470712	18833	SKF	7044NA	18897	C-R	710356
18697	C-R	5699	18747A	HERCU	470712	1884	TIMKE	4990	18897	SKF	710356
18697	SKF	5699	18750	C-R	473238	18841	OLIVE	450067	18898	OLIVE	416125
1869OS	JN-MN	415066	18750	SKF	473238	18841	OLIVE	473228	18898	WHITE	416125
187	C-R	5092	18752	C-R	473313	18844	C-R	710453	18899	C-R	473458
187	SKF	5092	18752	SKF	473313	18844	SKF	710453	18899	SKF	473458

INTERCHANGE SECTION

COMPETITIVE INTERCHANGES



Mfr No.	Mfr.	National	Mfr No.	Mfr.	National	Mfr No.	Mfr.	National	Mfr No.	Mfr.	National
1889A3	DIA	485195H	18973	C-R	224872	18F681D115	HARN	455008	18F681D160	HARN	55028
1889A3	WHITE	485195H	18973	SKF	224872	18F681D116	HARN	416664	18F681D161	HARN	416047
18900	OLIVE	450154	18974	C-R	224874	18F681D116	HARN	455364	18F681D161	HARN	416332
18900	OLIVE	473234	18974	SKF	224874	18F681D117	HARN	417316	18F681D162	HARN	415937
189005	JEFF	472354	18979	C-R	224870	18F681D117	HARN	455004	18F681D163	HARN	416125
189005	JEFF	50395S	18979	SKF	224870	18F681D118	HARN	415960	18F681D165	HARN	417501
18912	C-R	7216	18983	C-R	224979	18F681D118	HARN	455009	18F681D166	HARN	55030
18912	SKF	7216	18983	SKF	224979	18F681D119	HARN	455005	18F681D167	HARN	415379
18914LUP	JN-MN	412871	18987	C-R	224815	18F681D12	HARN	471579	18F681D167	HARN	455379
18914LUP	JN-MN	450329	18987	SKF	224815	18F681D120	HARN	417485	18F681D168	HARN	416339
18916	C-R	410524	18990	C-R	9049N	18F681D121	HARN	475384	18F681D168	HARN	455031
18916	SKF	410524	18990	SKF	9049N	18F681D122	HARN	417344	18F681D169	HARN	415150
1891820	FMC	471442	18992	C-R	9449	18F681D122	HARN	455006	18F681D17	HARN	450030
189210	VICK	8059S	18992	SKF	9449	18F681D123	HARN	416921	18F681D17	HARN	474253
18922	C-R	451078	18994	C-R	714503	18F681D123	HARN	455011	18F681D171	HARN	455032
18922	SKF	451078	18994	SKF	714503	18F681D124	HARN	417134	18F681D172	HARN	455189
18924	TMTR	340151	18998	C-R	5208	18F681D125	HARN	416956	18F681D173	HARN	417210
189242SB	TRSCM	8704S	18998	SKF	5208	18F681D126	HARN	416654	18F681D174	HARN	416345
189254R91	IH	416130	18999	C-R	4333N	18F681D126	HARN	455012	18F681D174	HARN	455033
189311R1	IH	471689	18999	SKF	4333N	18F681D127	HARN	417486	18F681D175	HARN	417366
18932D	IH	416738	189V539P1	GE	410312N	18F681D128	HARN	415995	18F681D176	HARN	415034
18932D	IH	450096	18BX1	TRACS	417491	18F681D128	HARN	455013	18F681D176	HARN	455034
189381R91	IH	415060	18BX1	WHITE	417491	18F681D129	HARN	417351	18F681D177	HARN	455191
1893OS	JN-MN	415058	18BX10	TRACS	417357	18F681D129	HARN	455154	18F681D178	HARN	417506
1894OS	JN-MN	417536	18BX10	TRACS	455192	18F681D130	HARN	417487	18F681D179	HARN	415187
1895028	GMC	471765	18BX10	WHITE	417357	18F681D130	HARN	455014	18F681D18	HARN	471645
18951	C-R	716484	18BX10	WHITE	455192	18F681D132	HARN	455015	18F681D180	HARN	415035
18951	SKF	716484	18BX4	WHITE	417316	18F681D135	HARN	416011	18F681D180	HARN	455035
18953	C-R	4577	18BX4	WHITE	455004	18F681D135	HARN	417621	18F681D181	HARN	417357
18953	SKF	4577	18BX5	TRACS	415991	18F681D136	HARN	416288	18F681D181	HARN	455192
18958	C-R	224820	18BX5	TRACS	455146	18F681D137	HARN	417171	18F681D182	HARN	415036
18958	SKF	224820	18BX5	WHITE	415991	18F681D138	HARN	456105	18F681D184	HARN	455037
18959	C-R	710167	18BX5	WHITE	455146	18F681D139	HARN	455336	18F681D186	HARN	415142
18959	SKF	710167	18BX7	TRACS	415219	18F681D14	HARN	470027	18F681D187	HARN	417512
18961	C-R	7105S	18BX7	WHITE	415219	18F681D14	HARN	471554	18F681D188	HARN	415043
18961	SKF	7105S	18BX8	TRACS	415124	18F681D140	HARN	455022	18F681D189	HARN	455194
18962	C-R	1949	18BX8	WHITE	415124	18F681D141	HARN	455018	18F681D19	HARN	471267
18962	SKF	1949	18BX9	TRACS	417546	18F681D141	HARN	476470	18F681D190	HARN	417513
18963	C-R	224810	18BX9	WHITE	417546	18F681D142	HARN	417181	18F681D191	HARN	417514
18963	SKF	224810	18F681D1	HARN	471442	18F681D143	HARN	415023	18F681D192	HARN	455195
18964	C-R	1956	18F681D10	HARN	471529	18F681D144	HARN	416292	18F681D192	HARN	472157
18964	SKF	1956	18F681D100	HARN	410825	18F681D145	HARN	415085	18F681D193	HARN	416556
18965	C-R	1973	18F681D102	HARN	411245	18F681D145	HARN	456648	18F681D193	HARN	472157
18965	CLARK	370021A	18F681D102	HARN	455096	18F681D146	HARN	455024	18F681D194	HARN	416891
18965	SKF	1973	18F681D103	HARN	417073	18F681D147	HARN	415442	18F681D195	HARN	415045
189652	CUMMI	5026	18F681D104	HARN	450519	18F681D148	HARN	417191	18F681D196	HARN	455197N
18966	C-R	1973	18F681D104	HARN	471271	18F681D149	HARN	415025	18F681D197	HARN	417520
18966	SKF	1973	18F681D105	HARN	415449	18F681D15	HARN	471567	18F681D198	HARN	416144
18968	C-R	224840	18F681D105	HARN	455147	18F681D151	HARN	55419	18F681D199	HARN	415196
18968	SKF	224840	18F681D106	HARN	416273	18F681D152	HARN	455026	18F681D20	HARN	471570
1896RC	SUL	416865	18F681D107	HARN	413479	18F681D154	HARN	415991	18F681D200	HARN	415047
1896RC	SUL	455070	18F681D108	HARN	415988	18F681D154	HARN	455146	18F681D201	HARN	416149
18970	C-R	1994	18F681D109	HARN	417481	18F681D155	HARN	417196	18F681D203	HARN	417525
18970	C-R	710313	18F681D11	HARN	471538	18F681D156	HARN	415437	18F681D204	HARN	417526
18970	SKF	1994	18F681D110	HARN	412871	18F681D156	HARN	455173	18F681D205	HARN	327303
18970	SKF	710313	18F681D110	HARN	450329	18F681D157	HARN	415027	18F681D206	HARN	416888
18971	C-R	710313	18F681D111	HARN	417343	18F681D157	HARN	455027	18F681D206	HARN	455200
18971	SKF	710313	18F681D112	HARN	415007	18F681D158	HARN	415498	18F681D207	HARN	416153
18972	C-R	1208	18F681D113	HARN	455434	18F681D159	HARN	417497	18F681D208	HARN	416892
18972	SKF	1208	18F681D114	HARN	455151	18F681D16	HARN	471231	18F681D209	HARN	417533

INTERCHANGE SECTION

COMPETITIVE INTERCHANGES

Mfr No.	Mfr.	National	Mfr No.	Mfr.	National	Mfr No.	Mfr.	National	Mfr No.	Mfr.	National
18F681D21	HARN	471646	18F681D26	HARN	471649	18F681D315	HARN	470169	18F681D360	HARN	455137
18F681D210	HARN	417534	18F681D260	HARN	416239	18F681D315	HARN	473214	18F681D361	HARN	55353
18F681D211	HARN	457585	18F681D261	HARN	416077	18F681D316	HARN	415035	18F681D362	HARN	40071S
18F681D212	HARN	415371	18F681D262	HARN	415116	18F681D316	HARN	455035	18F681D364	HARN	417211
18F681D213	HARN	416158	18F681D263	HARN	455117	18F681D317	HARN	450084	18F681D367	HARN	46997S
18F681D214	HARN	415064	18F681D264	HARN	415317	18F681D318	HARN	473243	18F681D372	HARN	417350
18F681D216	HARN	417535	18F681D265	HARN	415867	18F681D319	HARN	473458	18F681D372	HARN	455479
18F681D217	HARN	417536	18F681D266	HARN	415551	18F681D32	HARN	470189	18F681D375	HARN	450094
18F681D218	HARN	415138	18F681D267	HARN	417598	18F681D32	HARN	471692	18F681D375	HARN	473462
18F681D219	HARN	417247	18F681D268	HARN	455406	18F681D320	HARN	450121	18F681D377	HARN	40169S
18F681D22	HARN	471571	18F681D27	HARN	471689	18F681D320	HARN	472409	18F681D379	HARN	450867
18F681D220	HARN	415066	18F681D271	HARN	455121	18F681D321	HARN	412861	18F681D379	HARN	470898
18F681D221	HARN	416163	18F681D272	HARN	417600	18F681D322	HARN	411253	18F681D38	HARN	470163
18F681D222	HARN	456890	18F681D273	HARN	417601	18F681D322	HARN	450099	18F681D38	HARN	471766
18F681D224	HARN	416167	18F681D274	HARN	455123	18F681D323	HARN	412473	18F681D380	HARN	470334
18F681D224	HARN	455091	18F681D276	HARN	415124	18F681D323	HARN	415894	18F681D381	HARN	415482
18F681D225	HARN	417267	18F681D277	HARN	417022	18F681D324	HARN	470059	18F681D383	HARN	415142
18F681D226	HARN	417269	18F681D278	HARN	417603	18F681D324	HARN	470380	18F681D39	HARN	471801
18F681D227	HARN	417539	18F681D28	HARN	480210	18F681D325	HARN	410987	18F681D4	HARN	471281
18F681D228	HARN	417273	18F681D280	HARN	417567	18F681D325	HARN	450103	18F681D40	HARN	470050
18F681D229	HARN	417540	18F681D281	HARN	415128	18F681D326	HARN	413469	18F681D42	HARN	471801
18F681D23	HARN	471647	18F681D282	HARN	455129	18F681D327	HARN	471795	18F681D43	HARN	472826
18F681D230	HARN	416865	18F681D283	HARN	455462	18F681D328	HARN	471820	18F681D44	HARN	473211
18F681D230	HARN	455070	18F681D284	HARN	415090	18F681D329	HARN	415458	18F681D45	HARN	473213
18F681D231	HARN	417541	18F681D285	HARN	415219	18F681D329	HARN	455003	18F681D46	HARN	472287
18F681D232	HARN	417546	18F681D286	HARN	417606	18F681D33	HARN	471763	18F681D47	HARN	473215
18F681D233	HARN	417547	18F681D287	HARN	55078S	18F681D330	HARN	450121	18F681D48	HARN	450444
18F681D234	HARN	417262	18F681D289	HARN	417605	18F681D330	HARN	472409	18F681D48	HARN	471835
18F681D234	HARN	455448	18F681D29	HARN	471651	18F681D332	HARN	455129	18F681D49	HARN	473016
18F681D235	HARN	415645	18F681D290	HARN	417020	18F681D334	HARN	417509	18F681D5	HARN	471535
18F681D235	HARN	455104	18F681D291	HARN	417570	18F681D335	HARN	417223	18F681D50	HARN	473225
18F681D236	HARN	417551	18F681D292	HARN	415227	18F681D336	HARN	412943	18F681D51	HARN	473437
18F681D237	HARN	415938	18F681D294	HARN	415482	18F681D338	HARN	471103	18F681D52	HARN	473227
18F681D238	HARN	417254	18F681D295	HARN	415077	18F681D338	HARN	50197S	18F681D53	HARN	450067
18F681D239	HARN	416107	18F681D297	HARN	450069	18F681D339	HARN	416282	18F681D53	HARN	473228
18F681D239	HARN	455073	18F681D297	HARN	473232	18F681D34	HARN	470328	18F681D54	HARN	470077
18F681D24	HARN	472951	18F681D298	HARN	415085	18F681D34	HARN	481213	18F681D54	HARN	474281
18F681D24	HARN	474252	18F681D298	HARN	456648	18F681D340	HARN	410102	18F681D55	HARN	472213
18F681D240	HARN	417555	18F681D299	HARN	415072	18F681D341	HARN	471785	18F681D56	HARN	450185
18F681D241	HARN	417556	18F681D3	HARN	471472	18F681D343	HARN	417356	18F681D56	HARN	473229
18F681D242	HARN	417362	18F681D30	HARN	471705	18F681D343	HARN	455188	18F681D57	HARN	473441
18F681D243	HARN	416666	18F681D300	HARN	450316	18F681D345	HARN	470354	18F681D58	HARN	450066
18F681D244	HARN	416476	18F681D300	HARN	472636	18F681D346	HARN	470605	18F681D58	HARN	473367
18F681D244	HARN	455075	18F681D301	HARN	415711	18F681D347	HARN	417511	18F681D59	HARN	450194
18F681D245	HARN	455297	18F681D302	HARN	471750	18F681D348	HARN	413246	18F681D59	HARN	473010
18F681D247	HARN	455330	18F681D303	HARN	415001	18F681D348	HARN	413246N	18F681D6	HARN	471551
18F681D248	HARN	457874	18F681D303	HARN	455001	18F681D349	HARN	415077	18F681D60	HARN	474274
18F681D25	HARN	470120	18F681D304	HARN	450104	18F681D35	HARN	473426	18F681D61	HARN	450154
18F681D25	HARN	471224	18F681D305	HARN	416865	18F681D350	HARN	455144	18F681D61	HARN	473234
18F681D250	HARN	417562	18F681D306	HARN	417491	18F681D351	HARN	415281N	18F681D62	HARN	473235
18F681D252	HARN	417563	18F681D307	HARN	417490	18F681D352	HARN	493291	18F681D63	HARN	473236
18F681D253	HARN	415294	18F681D308	HARN	415023	18F681D353	HARN	43086S	18F681D64	HARN	450070
18F681D253	HARN	455294	18F681D309	HARN	415021	18F681D355	HARN	415259	18F681D64	HARN	472185
18F681D254	HARN	416229	18F681D31	HARN	471652	18F681D356	HARN	470682	18F681D65	HARN	450183
18F681D255	HARN	417298	18F681D31	HARN	482208	18F681D357	HARN	416404	18F681D65	HARN	472179
18F681D256	HARN	415327	18F681D310	HARN	471192	18F681D358	HARN	417172	18F681D66	HARN	450291
18F681D257	HARN	417596	18F681D311	HARN	415196	18F681D359	HARN	417158	18F681D66	HARN	471141
18F681D258	HARN	455584	18F681D313	HARN	415991	18F681D359	HARN	455355	18F681D67	HARN	472070
18F681D259	HARN	416364	18F681D313	HARN	455146	18F681D36	HARN	474255	18F681D68	HARN	450118
18F681D26	HARN	470219	18F681D314	HARN	417211	18F681D360	HARN	418028	18F681D68	HARN	473449

INTERCHANGE SECTION

COMPETITIVE INTERCHANGES



Mfr No.	Mfr. National	Mfr No.	Mfr. National	Mfr No.	Mfr. National	Mfr No.	Mfr. National
18F681D69	HARN 473450	18F682D114	HARN 455004	18F682D159	HARN 416339	18F682D209	HARN 416163
18F681D7	HARN 471466	18F682D115	HARN 415960	18F682D159	HARN 455031	18F682D21	HARN 471646
18F681D70	HARN 472439	18F682D115	HARN 455009	18F682D16	HARN 471231	18F682D210	HARN 456890
18F681D71	HARN 450082	18F682D116	HARN 455005	18F682D160	HARN 415150	18F682D211	HARN 416167
18F681D71	HARN 473238	18F682D117	HARN 417485	18F682D161	HARN 455032	18F682D211	HARN 455091
18F681D72	HARN 473457	18F682D118	HARN 475384	18F682D162	HARN 455189	18F682D212	HARN 417267
18F681D75	HARN 472144	18F682D119	HARN 417344	18F682D163	HARN 416345	18F682D213	HARN 417269
18F681D76	HARN 473460	18F682D119	HARN 455006	18F682D163	HARN 455033	18F682D214	HARN 417539
18F681D77	HARN 471391	18F682D12	HARN 471579	18F682D164	HARN 417366	18F682D215	HARN 417273
18F681D78	HARN 352541	18F682D120	HARN 416921	18F682D165	HARN 417366	18F682D216	HARN 417540
18F681D79	HARN 450083	18F682D120	HARN 455011	18F682D166	HARN 415034	18F682D217	HARN 416865
18F681D79	HARN 472924	18F682D121	HARN 417134	18F682D166	HARN 455034	18F682D217	HARN 455070
18F681D80	HARN 450085	18F682D122	HARN 416956	18F682D167	HARN 455191	18F682D218	HARN 417541
18F681D80	HARN 470530	18F682D123	HARN 416654	18F682D168	HARN 417506	18F682D219	HARN 417546
18F681D81	HARN 450301	18F682D123	HARN 455012	18F682D169	HARN 415035	18F682D22	HARN 471571
18F681D81	HARN 472397	18F682D124	HARN 417486	18F682D169	HARN 455035	18F682D220	HARN 417547
18F681D83	HARN 451948	18F682D125	HARN 415995	18F682D17	HARN 450030	18F682D221	HARN 417262
18F681D84	HARN 472012	18F682D125	HARN 455013	18F682D17	HARN 474253	18F682D221	HARN 455448
18F681D85	HARN 450311	18F682D126	HARN 417351	18F682D170	HARN 417357	18F682D222	HARN 415645
18F681D86	HARN 450365	18F682D126	HARN 455154	18F682D170	HARN 455192	18F682D222	HARN 455104
18F681D86	HARN 470898	18F682D127	HARN 417487	18F682D171	HARN 415036	18F682D223	HARN 417551
18F681D87	HARN 472015	18F682D127	HARN 455014	18F682D173	HARN 455037	18F682D224	HARN 415938
18F681D88	HARN 410312N	18F682D129	HARN 455015	18F682D175	HARN 415142	18F682D225	HARN 417254
18F681D89	HARN 472234	18F682D131	HARN 416011	18F682D176	HARN 417512	18F682D226	HARN 416107
18F681D9	HARN 471255	18F682D131	HARN 417621	18F682D177	HARN 415043	18F682D226	HARN 455073
18F681D90	HARN 473245	18F682D132	HARN 416288	18F682D178	HARN 455194	18F682D227	HARN 417555
18F681D92	HARN 450441	18F682D133	HARN 417171	18F682D179	HARN 417513	18F682D228	HARN 417556
18F681D92	HARN 471341	18F682D134	HARN 456105	18F682D18	HARN 471645	18F682D229	HARN 417362
18F681D93	HARN 411376	18F682D135	HARN 455336	18F682D180	HARN 417514	18F682D23	HARN 471647
18F681D93	HARN 455093	18F682D136	HARN 455022	18F682D181	HARN 455195	18F682D230	HARN 416666
18F681D94	HARN 55337	18F682D137	HARN 455018	18F682D181	HARN 472157	18F682D231	HARN 416476
18F681D95	HARN 411394	18F682D137	HARN 476470	18F682D182	HARN 416556	18F682D231	HARN 455075
18F681D95	HARN 450317	18F682D138	HARN 417181	18F682D182	HARN 472157	18F682D232	HARN 455297
18F681D96	HARN 410694	18F682D139	HARN 415023	18F682D183	HARN 416891	18F682D233	HARN 415072
18F681D97	HARN 416444	18F682D14	HARN 470027	18F682D184	HARN 415045	18F682D234	HARN 455330
18F681D98	HARN 412119	18F682D14	HARN 471554	18F682D185	HARN 455197N	18F682D236	HARN 417562
18F681D98	HARN 450101	18F682D140	HARN 455024	18F682D186	HARN 417520	18F682D238	HARN 417563
18F681D99	HARN 416271	18F682D141	HARN 417191	18F682D187	HARN 416144	18F682D239	HARN 415294
18F682D1	HARN 471442	18F682D142	HARN 415025	18F682D188	HARN 415196	18F682D239	HARN 455294
18F682D10	HARN 471529	18F682D143	HARN 55419	18F682D189	HARN 415047	18F682D24	HARN 472951
18F682D100	HARN 417073	18F682D144	HARN 455026	18F682D19	HARN 471267	18F682D24	HARN 474252
18F682D101	HARN 450519	18F682D145	HARN 415991	18F682D190	HARN 416149	18F682D240	HARN 416229
18F682D101	HARN 471271	18F682D145	HARN 455146	18F682D192	HARN 417525	18F682D241	HARN 417298
18F682D102	HARN 415449	18F682D146	HARN 415991	18F682D193	HARN 417526	18F682D242	HARN 415327
18F682D102	HARN 455147	18F682D146	HARN 455146	18F682D194	HARN 416888	18F682D244	HARN 455584
18F682D103	HARN 416273	18F682D147	HARN 417196	18F682D194	HARN 455200	18F682D245	HARN 416364
18F682D104	HARN 413479	18F682D148	HARN 415437	18F682D195	HARN 416153	18F682D246	HARN 416239
18F682D105	HARN 415988	18F682D149	HARN 415027	18F682D196	HARN 416892	18F682D247	HARN 416077
18F682D106	HARN 417481	18F682D149	HARN 455027	18F682D197	HARN 417533	18F682D248	HARN 415116
18F682D107	HARN 412871	18F682D15	HARN 471567	18F682D198	HARN 417534	18F682D249	HARN 455117
18F682D107	HARN 450329	18F682D150	HARN 415498	18F682D199	HARN 457585	18F682D25	HARN 470120
18F682D108	HARN 417343	18F682D151	HARN 417497	18F682D20	HARN 471570	18F682D25	HARN 471224
18F682D109	HARN 415007	18F682D152	HARN 55028	18F682D200	HARN 415371	18F682D250	HARN 415317
18F682D11	HARN 471538	18F682D153	HARN 416047	18F682D201	HARN 416158	18F682D251	HARN 415867
18F682D110	HARN 455434	18F682D153	HARN 416332	18F682D202	HARN 415064	18F682D252	HARN 415551
18F682D111	HARN 455151	18F682D154	HARN 415937	18F682D204	HARN 417535	18F682D253	HARN 417598
18F682D112	HARN 455008	18F682D155	HARN 416125	18F682D205	HARN 417536	18F682D254	HARN 455406
18F682D113	HARN 416664	18F682D156	HARN 417501	18F682D206	HARN 415138	18F682D256	HARN 455121
18F682D113	HARN 455364	18F682D158	HARN 415379	18F682D207	HARN 417247	18F682D257	HARN 417600
18F682D114	HARN 417316	18F682D158	HARN 455379	18F682D208	HARN 415066	18F682D258	HARN 417601

INTERCHANGE SECTION

COMPETITIVE INTERCHANGES

Mfr No.	Mfr.	National	Mfr No.	Mfr.	National	Mfr No.	Mfr.	National	Mfr No.	Mfr.	National
18F682D259	HARN	417602	18F682D315	HARN	455192	18F682D389	HARN	450084	18F682D54	HARN	473229
18F682D26	HARN	470219	18F682D316	HARN	415142	18F682D390	HARN	473458	18F682D55	HARN	473441
18F682D26	HARN	471649	18F682D317	HARN	457874	18F682D391	HARN	450094	18F682D56	HARN	450066
18F682D260	HARN	415124	18F682D32	HARN	470189	18F682D391	HARN	473462	18F682D56	HARN	473367
18F682D261	HARN	415124	18F682D32	HARN	471692	18F682D392	HARN	410102	18F682D57	HARN	450194
18F682D262	HARN	417022	18F682D321	HARN	417158	18F682D393	HARN	450121	18F682D57	HARN	473010
18F682D263	HARN	417604	18F682D321	HARN	455355	18F682D393	HARN	472409	18F682D58	HARN	474274
18F682D264	HARN	415128	18F682D322	HARN	417171	18F682D394	HARN	473243	18F682D59	HARN	450154
18F682D265	HARN	455129	18F682D323	FUNK	415379	18F682D395	HARN	413469	18F682D59	HARN	473234
18F682D266	HARN	455129	18F682D323	FUNK	455379	18F682D396	HARN	470354	18F682D6	HARN	471551
18F682D267	HARN	455462	18F682D323	HARN	415379	18F682D397	HARN	412943	18F682D60	HARN	473235
18F682D268	HARN	415090	18F682D323	HARN	455379	18F682D398	HARN	411253	18F682D61	HARN	473236
18F682D269	HARN	415219	18F682D325	HARN	413246	18F682D398	HARN	450099	18F682D62	HARN	450070
18F682D27	HARN	471689	18F682D325	HARN	413246N	18F682D399	HARN	415259	18F682D62	HARN	472185
18F682D271	HARN	55078S	18F682D326	HARN	55353	18F682D4	HARN	471281	18F682D63	HARN	450183
18F682D273	HARN	417605	18F682D327	HARN	415871	18F682D40	HARN	471801	18F682D63	HARN	472179
18F682D274	HARN	417020	18F682D328	HARN	415991	18F682D400	HARN	410987	18F682D64	HARN	450291
18F682D275	HARN	415707	18F682D328	HARN	455146	18F682D400	HARN	450103	18F682D64	HARN	471141
18F682D278	HARN	415482	18F682D329	HARN	412473	18F682D401	HARN	412861	18F682D65	HARN	472070
18F682D28	HARN	480210	18F682D329	HARN	415894	18F682D402	HARN	415001	18F682D66	HARN	450118
18F682D280	HARN	417608	18F682D33	HARN	471763	18F682D402	HARN	455001	18F682D66	HARN	473449
18F682D282	HARN	415725	18F682D330	HARN	417511	18F682D403	HARN	415458	18F682D67	HARN	473450
18F682D283	HARN	415984	18F682D332	HARN	417362	18F682D404	HARN	455144	18F682D68	HARN	472439
18F682D284	HARN	416404	18F682D333	HARN	413247	18F682D405	HARN	417349	18F682D69	HARN	450082
18F682D285	HARN	415072	18F682D333	HARN	450350	18F682D406	HARN	417350	18F682D69	HARN	473238
18F682D286	HARN	415041	18F682D334	HARN	417172	18F682D407	HARN	415021	18F682D7	HARN	471466
18F682D289	HARN	415483	18F682D335	HARN	417603	18F682D408	HARN	417491	18F682D70	HARN	473457
18F682D289	HARN	455368	18F682D336	HARN	450069	18F682D409	HARN	418029	18F682D72	HARN	473457
18F682D29	HARN	471651	18F682D336	HARN	473232	18F682D409	HARN	455499	18F682D73	HARN	472144
18F682D290	HARN	470163	18F682D337	HARN	416154	18F682D410	HARN	416624	18F682D74	HARN	473460
18F682D290	HARN	471766	18F682D338	HARN	455480	18F682D412	HARN	417356	18F682D75	HARN	471391
18F682D291	HARN	456141	18F682D339	HARN	240356	18F682D413	HARN	417509	18F682D76	HARN	450083
18F682D292	HARN	415482	18F682D34	HARN	473426	18F682D414	HARN	417223	18F682D76	HARN	472924
18F682D293	HARN	450316	18F682D340	HARN	240735	18F682D415	HARN	455129	18F682D77	HARN	450085
18F682D293	HARN	472636	18F682D341	HARN	240733	18F682D416	HARN	415090	18F682D77	HARN	470530
18F682D294	HARN	417134	18F682D343	HARN	417608	18F682D419	HARN	416292	18F682D78	HARN	450301
18F682D296	HARN	472015	18F682D346	HARN	340724	18F682D42	HARN	473211	18F682D78	HARN	472397
18F682D297	HARN	455191	18F682D347	HARN	340495	18F682D43	HARN	473213	18F682D79	HARN	473463
18F682D298	HARN	450082	18F682D349	HARN	455194	18F682D434	HARN	470077	18F682D80	HARN	451948
18F682D298	HARN	473238	18F682D35	HARN	474255	18F682D434	HARN	474281	18F682D81	HARN	472012
18F682D299	HARN	417604	18F682D356	HARN	415196	18F682D435	HARN	450867	18F682D82	HARN	450311
18F682D3	HARN	471472	18F682D36	HARN	470163	18F682D435	HARN	470898	18F682D83	HARN	450365
18F682D30	HARN	471705	18F682D36	HARN	471766	18F682D436	HARN	410190	18F682D83	HARN	470898
18F682D301	HARN	450362	18F682D363	HARN	470380	18F682D437	HARN	450494	18F682D84	HARN	472015
18F682D302	HARN	471688	18F682D364	HARN	472179	18F682D437	HARN	472164	18F682D85	HARN	410312N
18F682D305	HARN	470548	18F682D37	HARN	471801	18F682D44	HARN	472287	18F682D86	HARN	472234
18F682D305	HARN	470625	18F682D375	HARN	417488	18F682D45	HARN	473215	18F682D87	HARN	473245
18F682D306	HARN	416706	18F682D376	HARN	417210	18F682D46	HARN	450444	18F682D88	HARN	413472
18F682D306	HARN	455272	18F682D378	HARN	472354	18F682D46	HARN	471835	18F682D89	HARN	450441
18F682D307	HARN	415085	18F682D378	HARN	50395S	18F682D47	HARN	473016	18F682D89	HARN	471341
18F682D307	HARN	456648	18F682D38	HARN	470050	18F682D48	HARN	473225	18F682D9	HARN	471255
18F682D308	HARN	418028	18F682D381	HARN	471785	18F682D49	HARN	473437	18F682D90	HARN	411376
18F682D308	HARN	455137	18F682D382	HARN	471750	18F682D5	HARN	471535	18F682D90	HARN	455093
18F682D309	HARN	417492	18F682D383	HARN	471795	18F682D50	HARN	473227	18F682D92	HARN	411394
18F682D31	HARN	471652	18F682D384	HARN	472826	18F682D51	HARN	450067	18F682D92	HARN	450317
18F682D310	HARN	415351	18F682D385	HARN	471192	18F682D51	HARN	473228	18F682D93	HARN	410694
18F682D311	HARN	415196	18F682D386	HARN	470169	18F682D52	HARN	470077	18F682D94	HARN	416444
18F682D313	HARN	455476	18F682D386	HARN	473214	18F682D52	HARN	474281	18F682D95	HARN	412119
18F682D314	HARN	417354	18F682D387	HARN	471820	18F682D53	HARN	472213	18F682D95	HARN	450101
18F682D315	HARN	417357	18F682D388	HARN	470682	18F682D54	HARN	450185	18F682D96	HARN	416271

INTERCHANGE SECTION

COMPETITIVE INTERCHANGES



Mfr No.	Mfr.	National	Mfr No.	Mfr.	National	Mfr No.	Mfr.	National	Mfr No.	Mfr.	National
18F682D97	HARN	410825	1900044019	WARNR	710664	19015076	CORTE	710320	19016504	CORTE	229010
18F682D98	HARN	411500	1900044029	BORGW	710659	19015076B	CORTE	710320	19016504B	CORTE	229010
18F682D99	HARN	411245	1900044029B	BORGW	710659	19015081	CORTE	1196	19016505	CORTE	1955
18F682D99	HARN	455096	1900044030	BORGW	4503N	19015081B	CORTE	1196	19016505B	CORTE	1955
18F689D1	HARN	417488	1900044032	BORGW	710798	19015082	CORTE	712007	19016506	CORTE	494122
18F689D10	HARN	475009N	1900044035	WARNE	710725	19015082B	CORTE	712007	19016506B	CORTE	494122
18F689D11	HARN	5857	1900044036	WARNE	710726	19015083	CORTE	3771	19016507	CORTE	224100
18F689D4	HARN	415001	1900044041	BORGW	710658	19015083B	CORTE	3771	19016507B	CORTE	224100
18F689D4	HARN	455001	1900044048	WARNE	710726	19015085	CORTE	2025	19016508	CORTE	4989
18F689D7	HARN	416865	1900044050	BORGW	710659	19015085B	CORTE	2025	19016508B	CORTE	4989
18F689D8	HARN	415371	1900044056	BORGW	710659	19015088	CORTE	223608	19016509	CORTE	225010
18F728	HARN	417603	1900044058	BORGW	710798	19015088B	CORTE	223608	19016509B	CORTE	225010
18G20	OSHKO	415023	1900044066	BORGW	710953	19015090	CORTE	4359V	19016510	CORTE	225875
18T12	ATHEY	415960	19000	C-R	8704S	19015090B	CORTE	4359V	19016510B	CORTE	225875
18T12	ATHEY	455009	19000	SKF	8704S	19015091	CORTE	228013	19016511	CORTE	224460
18UV0653	WHITE	473215	19003	ONAN	470358	19015091B	CORTE	228013	19016511B	CORTE	224460
18UVA0653	WHITE	450593	19003	ONAN	473231	19015092	CORTE	227045	19016512	CORTE	227235
18Z1202	HARN	40555	1900420	GMC	471558	19015092B	CORTE	227045	19016512B	CORTE	227235
18Z1202	HARN	40555S	19010	C-R	5573	19015514	CORTE	223831	19016513	CORTE	228005
18Z1583D1	HARN	471652	19010	SKF	5573	19015514B	CORTE	223831	19016513B	CORTE	228005
18Z1583D2	HARN	410163	19011	C-R	5573	19015593	CORTE	1126	19016517	CORTE	223602
18Z1583D2	HARN	471766	19011	SKF	5573	19015593B	CORTE	1126	19016517B	CORTE	223602
18Z1583D3	HARN	471795	190119	BR-ST	240356	19016068	CORTE	710598	19016518	CORTE	2002
18Z1583D5	HARN	473228	19012	C-R	5573	19016068B	CORTE	710598	19016518B	CORTE	2002
18Z1600D2	HARN	340724	19012	SKF	5573	19016236	CORTE	228005	19016525	CORTE	224255
18Z1601D1	HARN	240356	19012498	CORTE	710334	19016236B	CORTE	228005	19016525B	CORTE	224255
18Z1754D2	HARN	493291	19012498B	CORTE	710334	19016459	CORTE	222835	19016529	CORTE	223235
18Z2250	FUNK	471984	19012585	CORTE	224460	19016459B	CORTE	222835	19016529B	CORTE	223235
18Z23	HARN	415351	19012585B	CORTE	224460	19016482	CORTE	222743	19016530	CORTE	710306
18Z2555D36	HARN	410102	19013	C-R	6815	19016482B	CORTE	222743	19016530B	CORTE	710306
18Z410	HARN	417022	19013	SKF	6815	19016483	CORTE	710329	19016531	CORTE	710383
18Z715D1	HARN	417546	19013084	CORTE	225040	19016483B	CORTE	710329	19016531B	CORTE	710383
18Z715D12	HARN	415124	19013084B	CORTE	225040	19016485	CORTE	1120	19016533	CORTE	710318
18Z715D13	HARN	415009	19014	SUPER	416271	19016485B	CORTE	1120	19016533B	CORTE	710318
18Z715D13	HARN	415960	19015037	CORTE	1959	19016486	CORTE	320595	19016534	CORTE	1176
18Z715D15	HARN	417211	19015037B	CORTE	1959	19016486B	CORTE	320595	19016534B	CORTE	1176
18Z715D23	FUNK	417365	19015047	CORTE	1950	19016488	CORTE	228015	19016535	CORTE	223801
18Z715D6	HARN	415013	19015047B	CORTE	1950	19016488B	CORTE	228015	19016535B	CORTE	223801
18Z715D6	HARN	415995	19015048	CORTE	1981	19016489	CORTE	1936	19016537	CORTE	710345
18Z715D8	HARN	416892	19015048B	CORTE	1981	19016489B	CORTE	1936	19016537B	CORTE	710345
18Z715D9	HARN	416107	19015049	CORTE	710109	19016491	CORTE	1943	19016538	CORTE	224820
18Z728	HARN	417603	19015049B	CORTE	710109	19016491B	CORTE	1943	19016538B	CORTE	224820
18Z778	HARN	415725	19015050	CORTE	224820	19016492	CORTE	710337	19016540	CORTE	227550
1900044021	WARNR	3946	19015050B	CORTE	224820	19016492B	CORTE	710337	19016540B	CORTE	227550
1900044022	BORGW	710682	19015054	CORTE	226285	19016493	CORTE	710148	19016541	CORTE	228010
1900044027	BORGW	710682	19015054B	CORTE	226285	19016493B	CORTE	710148	19016541B	CORTE	228010
1900044027A	BORGW	710682	19015056	CORTE	1959	19016494	CORTE	494117	19016542	CORTE	716102
1900044027D	BORGW	710682	19015056B	CORTE	1959	19016494B	CORTE	494117	19016542B	CORTE	716102
1900044028	WARNR	710651	19015059	CORTE	222535	19016495	CORTE	710097	19016543	CORTE	229010
1900044028A	WARNR	710651	19015059B	CORTE	222535	19016495B	CORTE	710097	19016543B	CORTE	229010
1900044054	WARNR	710742	19015061	CORTE	224015	19016497	CORTE	473367	19016545	CORTE	228410
1900016002	WARNR	4503N	19015061B	CORTE	224015	19016497B	CORTE	473367	19016545B	CORTE	228410
1900044009	WARNR	710403	19015065	CORTE	1176	19016499	CORTE	710311	19016548	CORTE	222410
1900044009A	WARNR	710403	19015065B	CORTE	1176	19016499B	CORTE	710311	19016548B	CORTE	222410
1900044011	WARNE	710690	19015067	CORTE	1948	19016501	CORTE	710323	19016551	CORTE	717005
1900044011A	WARNE	710690	19015067B	CORTE	1948	19016501B	CORTE	710323	19016551B	CORTE	717005
1900044012	WARNR	4333N	19015073	CORTE	710323	19016502	CORTE	1973	19016554	CORTE	1989
1900044013	WARNR	4503N	19015073B	CORTE	710323	19016502B	CORTE	1973	19016554B	CORTE	1989
1900044016	WARNE	710725	19015074	CORTE	1213N	19016503	CORTE	228250	19016555	CORTE	223253
1900044019	BORGW	710664	19015074B	CORTE	1213N	19016503B	CORTE	228250	19016555B	CORTE	223253

INTERCHANGE SECTION

COMPETITIVE INTERCHANGES

Mfr No.	Mfr. National	Mfr No.	Mfr. National	Mfr No.	Mfr. National	Mfr No.	Mfr. National
19016556	CORTE 710306	19016601	CORTE 222025	19016643	CORTE 1180	19016922	CORTE 710313
19016556B	CORTE 710306	19016601B	CORTE 222025	19016643B	CORTE 1180	19016922B	CORTE 710313
19016558	CORTE 710315	19016602	CORTE 2007N	19016644	CORTE 1180	19017032	CORTE 712001
19016558B	CORTE 710315	19016602B	CORTE 2007N	19016644B	CORTE 1180	19017032B	CORTE 712001
19016559	CORTE 223553	19016605	CORTE 228010	19016645	CORTE 224210	19017037	CORTE 1981
19016559B	CORTE 223553	19016605B	CORTE 228010	19016645B	CORTE 224210	19017037B	CORTE 1981
19016560	CORTE 224045	19016606	CORTE 710255	19016646	CORTE 224874	19017039	CORTE 1956
19016560B	CORTE 224045	19016606B	CORTE 710255	19016646B	CORTE 224874	19017039B	CORTE 1956
19016561	CORTE 223580	19016607	CORTE 239146	19016647	CORTE 710187	19017040	CORTE 710649
19016561B	CORTE 223580	19016607B	CORTE 239146	19016647B	CORTE 710187	19017040B	CORTE 710649
19016562	CORTE 710336	19016608	CORTE 223340	19016648	CORTE 4898	19017041	CORTE 1948
19016562B	CORTE 710336	19016608B	CORTE 223340	19016648B	CORTE 4898	19017041B	CORTE 1948
19016563	CORTE 1147	19016609	CORTE 710324	19016649	CORTE 1955	19017084	CORTE 710384
19016563B	CORTE 1147	19016609B	CORTE 710324	19016649B	CORTE 1955	19017084B	CORTE 710384
19016564	CORTE 1036	19016610	CORTE 226018	19016650	CORTE 4899	19017085	CORTE 710070
19016564B	CORTE 1036	19016610B	CORTE 226018	19016650B	CORTE 4899	19017085B	CORTE 710070
19016565	CORTE 712551	19016611	CORTE 710124	19016651	CORTE 1993	19017092	CORTE 710300
19016565B	CORTE 712551	19016611B	CORTE 710124	19016651B	CORTE 1993	19017092B	CORTE 724020
19016566	CORTE 224063	19016613	CORTE 710598	19016653	CORTE 229210	19017093	CORTE 710415
19016566B	CORTE 224063	19016613B	CORTE 710598	19016653B	CORTE 229210	19017093B	CORTE 710415
19016568	CORTE 3771	19016614	CORTE 710133	19016654	CORTE 1012N	19017094	CORTE 224650
19016568B	CORTE 3771	19016614B	CORTE 710133	19016654B	CORTE 1012N	19017094B	CORTE 224650
19016570	CORTE 228008	19016616	CORTE 1012N	19016655	CORTE 222430	19017095	CORTE 710196
19016570B	CORTE 228008	19016616B	CORTE 1012N	19016655B	CORTE 222430	19017095B	CORTE 710196
19016571	CORTE 1953	19016617	CORTE 710246	19016656	CORTE 1990	19017377	CORTE 1941
19016571B	CORTE 1953	19016617B	CORTE 710246	19016656B	CORTE 1990	19017377B	CORTE 1941
19016572	CORTE 224020	19016618	CORTE 710134	19016660	CORTE 712007	19017545	CORTE 226610
19016572B	CORTE 224020	19016618B	CORTE 710134	19016660B	CORTE 712007	19017545B	CORTE 226610
19016573	CORTE 227020	19016619	CORTE 225650	19016661	CORTE 710317	19017582	CORTE 224810
19016573B	CORTE 227020	19016619B	CORTE 225650	19016661B	CORTE 710317	19017582B	CORTE 224810
19016575	CORTE 228020	19016620	CORTE 710069	19016662	CORTE 471847N	19017583	CORTE 710173
19016575B	CORTE 228020	19016620B	CORTE 710069	19016662B	CORTE 471847N	19017583B	CORTE 710173
19016576	CORTE 4990	19016622	CORTE 710051	19016663	CORTE 224570	19017584	CORTE 710076
19016576B	CORTE 4990	19016622B	CORTE 710051	19016663B	CORTE 224570	19017584B	CORTE 710076
19016577	CORTE 494123	19016627	CORTE 223552	19016664	CORTE 222430	19017585	CORTE 3771
19016577B	CORTE 494123	19016627B	CORTE 223552	19016664B	CORTE 222430	19017585B	CORTE 3771
19016578	CORTE 710396	19016630	CORTE 221820	19016665	CORTE 710316	19017586	CORTE 1177
19016578B	CORTE 710396	19016630B	CORTE 221820	19016665B	CORTE 710316	19017586B	CORTE 1177
19016581	CORTE 224235	19016631	CORTE 710325	19016666	CORTE 222820	19018090	CORTE 710108
19016581B	CORTE 224235	19016631B	CORTE 710325	19016666B	CORTE 222820	19018090B	CORTE 710108
19016585	CORTE 224660	19016632	CORTE 221510	19016667	CORTE 1981	19018297	CORTE 1928
19016585B	CORTE 224660	19016632B	CORTE 221510	19016667B	CORTE 1981	19018297B	CORTE 1928
19016586	CORTE 1940	19016634	CORTE 320603	19016668	CORTE 223230	19018298	CORTE 225410
19016586B	CORTE 1940	19016634B	CORTE 320603	19016668B	CORTE 223230	19018298B	CORTE 225410
19016590	CORTE 224255	19016635	CORTE 223010	19016669	CORTE 1167	19018301	CORTE 223605
19016590B	CORTE 224255	19016635B	CORTE 223010	19016669B	CORTE 1167	19018301B	CORTE 223605
19016592	CORTE 224465	19016636	CORTE 710110	19016670	CORTE 223340	19019	C-R 710726
19016592B	CORTE 224465	19016636B	CORTE 710110	19016670B	CORTE 223340	19019	SKF 710726
19016593	CORTE 710325	19016637	CORTE 223540	19016671	CORTE 223420	19019057	CORTE 710125
19016593B	CORTE 710325	19016637B	CORTE 223540	19016671B	CORTE 223420	19019057B	CORTE 710125
19016594	CORTE 221710	19016638	CORTE 1987	19016673	CORTE 1173	19019058	CORTE 710292
19016594B	CORTE 221710	19016638B	CORTE 1987	19016673B	CORTE 1173	19019058B	CORTE 710292
19016595	CORTE 710894	19016639	CORTE 1177	19016674	CORTE 712011	19019059	CORTE 1974
19016595B	CORTE 710894	19016639B	CORTE 1177	19016674B	CORTE 712011	19019059B	CORTE 1974
19016597	CORTE 224840	19016640	CORTE 223842	19016678	CORTE 228009	19019060	CORTE 710338
19016597B	CORTE 224840	19016640B	CORTE 223842	19016678B	CORTE 228009	19019060B	CORTE 710338
19016598	CORTE 228005	19016641	CORTE 710711	19016920	CORTE 1038	19019062	CORTE 710092
19016598B	CORTE 228005	19016641B	CORTE 710711	19016920B	CORTE 1038	19019062B	CORTE 710092
19016600	CORTE 223750	19016642	CORTE 710319	19016921	CORTE 1019	19019077	CORTE 710642
19016600B	CORTE 223750	19016642B	CORTE 710319	19016921B	CORTE 1019	19019077B	CORTE 710642

INTERCHANGE SECTION

COMPETITIVE INTERCHANGES



Mfr No.	Mfr. National	Mfr No.	Mfr. National	Mfr No.	Mfr. National	Mfr No.	Mfr. National
19019078	CORTE 224820	19025980B	CORTE 710611	19026210	CORTE 710834	19026749B	CORTE 1935
19019078B	CORTE 224820	19026016	CORTE 712008	19026210B	CORTE 223802	19026753	CORTE 222025
19019080	CORTE 225010	19026016B	CORTE 712008	19026210B	CORTE 710834	19026753B	CORTE 222025
19019080B	CORTE 225010	19026017	CORTE 713771	19026211	CORTE 710331	19026755	CORTE 710315
19019081	CORTE 710763	19026017B	CORTE 713771	19026211B	CORTE 710331	19026755B	CORTE 710315
19019081B	CORTE 710763	19026018	CORTE 223012	19026213	CORTE 222028	19026756	CORTE 224210
19019082	CORTE 1973	19026018B	CORTE 223012	19026213B	CORTE 222028	19026756B	CORTE 224210
19019082B	CORTE 1973	19026026	CORTE 1981	19026215	CORTE 221607	19026760	CORTE 229010
19019083	CORTE 225530	19026026B	CORTE 1981	19026215B	CORTE 221607	19026760B	CORTE 229010
19019083B	CORTE 225530	19026038	CORTE 228015	19026219	CORTE 1213N	19026761	CORTE 1953
19019123	CORTE 710108	19026038B	CORTE 228015	19026219B	CORTE 1213N	19026761B	CORTE 1953
19019123B	CORTE 710108	19026039	CORTE 710765	19026223	CORTE 225225	19026762	CORTE 223240
19019200	CORTE 710191	19026039B	CORTE 710765	19026223B	CORTE 225225	19026762B	CORTE 223240
19019200B	CORTE 710191	19026048	CORTE 228410	19026224	CORTE 710094	19026763	CORTE 710354
19019210	CORTE 710060	19026048B	CORTE 228410	19026224B	CORTE 710094	19026763B	CORTE 710354
19019210B	CORTE 710060	19026078	CORTE 710767	19026225	CORTE 710093	19026764	CORTE 224052
19019491	CORTE 710689	19026078B	CORTE 710767	19026225B	CORTE 710093	19026764B	CORTE 224052
19019491B	CORTE 710689	19026099	CORTE 228411	19026229	CORTE 710313	19026766	CORTE 223535
19019527	CORTE 710073	19026099B	CORTE 228411	19026229B	CORTE 710313	19026766B	CORTE 223535
19019527B	CORTE 710073	19026106	CORTE 712009	19026230	CORTE 222030	19026767	CORTE 227045
19019528	CORTE 1183	19026106B	CORTE 712009	19026230B	CORTE 222030	19026767B	CORTE 227045
19019528B	CORTE 1183	19026113	CORTE 710264	19026232	CORTE 710107	19026772	CORTE 223010
19019529	CORTE 710305	19026113B	CORTE 710264	19026232B	CORTE 710107	19026772B	CORTE 223010
19019529B	CORTE 710305	19026115	CORTE 710834	19026234	CORTE 1174	19026773	CORTE 710110
19019536	CORTE 710479	19026115B	CORTE 710834	19026234B	CORTE 1174	19026773B	CORTE 710110
19019536B	CORTE 710479	19026126	CORTE 223018	19026237	CORTE 710127	19026774	CORTE 223540
19019537	CORTE 712006	19026126B	CORTE 223018	19026237B	CORTE 710127	19026774B	CORTE 223540
19019537B	CORTE 712006	19026160	CORTE 222860	19026238	CORTE 710069	19026785	CORTE 710114
19019538	CORTE 473823	19026160B	CORTE 222860	19026238B	CORTE 710069	19026785B	CORTE 710114
19019538B	CORTE 473823	19026178	CORTE 223750	19026240	CORTE 710320	19026788	CORTE 710419
19019539	CORTE 223550	19026178B	CORTE 223750	19026240B	CORTE 710320	19026788B	CORTE 710419
19019539B	CORTE 223550	19026190	CORTE 710397	19026246	CORTE 4899	19026794	CORTE 228010
19019540	CORTE 224210	19026190B	CORTE 710397	19026246B	CORTE 4899	19026794B	CORTE 228010
19019540B	CORTE 224210	19026193	CORTE 710132	19026255	CORTE 350609	19026918	CORTE 710233
19019542	CORTE 224570	19026193B	CORTE 710132	19026255B	CORTE 350609	19026918B	CORTE 710233
19019542B	CORTE 224570	19026194	CORTE 710119	19026258	CORTE 224053	190276	STUDE 240151
19019543	CORTE 1021V	19026194B	CORTE 710119	19026258B	CORTE 224053	19027628	CORTE 223005
19019543B	CORTE 1021V	19026197	CORTE 710460	19026284	CORTE 712005	19027628B	CORTE 223005
19019971	CORTE 4901	19026197B	CORTE 710460	19026284B	CORTE 712005	19027629	CORTE 223005
19019971B	CORTE 4901	19026198	CORTE 710332	19026311	CORTE 710719	19027629B	CORTE 223005
19019972	CORTE 710331	19026198B	CORTE 710332	19026311B	CORTE 710719	19027773	CORTE 222030
19019972B	CORTE 710331	19026199	CORTE 710399	19026368	CORTE 220860	19027773B	CORTE 222030
19019974	CORTE 225210	19026199B	CORTE 710399	19026368B	CORTE 220860	19027779	CORTE 710523
19019974B	CORTE 225210	19026200	CORTE 222830	19026513	CORTE 710154	19027779B	CORTE 710523
19019975	CORTE 710118	19026200B	CORTE 222830	19026513B	CORTE 710154	19027782	CORTE 710521
19019975B	CORTE 710118	19026201	CORTE 221620	19026732	CORTE 223602	19027782B	CORTE 710521
19020127	CORTE 221710	19026201B	CORTE 221620	19026732B	CORTE 223602	19027810	CORTE 223018
19020127B	CORTE 221710	19026202	CORTE 350609	19026734	CORTE 710676	19027810B	CORTE 223018
19020128	CORTE 712007	19026202B	CORTE 350609	19026734B	CORTE 710676	19027813	CORTE 225545
19020128B	CORTE 712007	19026203	CORTE 239146	19026735	CORTE 710110	19027813B	CORTE 225545
19020326	CORTE 710859	19026203B	CORTE 239146	19026735B	CORTE 710110	19027814	CORTE 223805
19020326B	CORTE 710859	19026204	CORTE 224066	19026739	CORTE 223801	19027814B	CORTE 223805
190206	BR-ST 450389	19026204B	CORTE 224066	19026739B	CORTE 223801	19027815	CORTE 710838
190206	BR-ST 472492	19026206	CORTE 710677	19026741	CORTE 710716	19027815B	CORTE 710838
19021	AT-PL 200763	19026206B	CORTE 710677	19026741B	CORTE 710716	19027816	CORTE 224068
19024172	EL-PA 417316	19026208	CORTE 223553	19026747	CORTE 223542	19027816B	CORTE 224068
19024172	EL-PA 455004	19026208B	CORTE 223553	19026747B	CORTE 223542	19027817	CORTE 710868
19025728	CORTE 710248	19026209	CORTE 1146	19026748	CORTE 224870	19027817B	CORTE 710868
19025728B	CORTE 710248	19026209B	CORTE 1146	19026748B	CORTE 224870	19027819	CORTE 710298
19025980	CORTE 710611	19026210	CORTE 223802	19026749	CORTE 1935	19027819B	CORTE 710298

INTERCHANGE SECTION

COMPETITIVE INTERCHANGES

Mfr No.	Mfr.	National	Mfr No.	Mfr.	National	Mfr No.	Mfr.	National	Mfr No.	Mfr.	National
19027820	CORTE	225885	19027868	CORTE	221610	19029676	CORTE	224025	19034729	CORTE	710697
19027820B	CORTE	225885	19027868B	CORTE	221610	19029676B	CORTE	224025	19034729B	CORTE	710697
19027822	CORTE	711181	19027869	CORTE	710459	19029706	CORTE	1992	19034730	CORTE	2025
19027822B	CORTE	711181	19027869B	CORTE	710459	19029706B	CORTE	1992	19034730B	CORTE	2025
19027823	CORTE	320595	19027870	CORTE	320583	19029707	CORTE	225673	19034732	CORTE	1177
19027823B	CORTE	320595	19027870B	CORTE	320583	19029707B	CORTE	225673	19034732B	CORTE	1177
19027824	CORTE	710460	19027871	CORTE	710199	190302	BR-ST	471532	19034736	CORTE	710574
19027824B	CORTE	710460	19027871B	CORTE	710199	190324	BR-ST	50405	19034736B	CORTE	710574
19027825	CORTE	710730	19027874	CORTE	712007	19033800	CORTE	710511	19034911	CORTE	222745
19027825B	CORTE	710730	19027874B	CORTE	712007	19033800B	CORTE	710511	19034911B	CORTE	222745
19027827	CORTE	228015	19027875	CORTE	710259	19033802	CORTE	710403	19034917	CORTE	223552
19027827B	CORTE	228015	19027875B	CORTE	710259	19033802B	CORTE	710403	19034917B	CORTE	223552
19027828	CORTE	710157	19027876	CORTE	710522	19033853	CORTE	710363	19034920	CORTE	223018
19027828B	CORTE	710157	19027876B	CORTE	710522	19033853B	CORTE	710363	19034920B	CORTE	223018
19027829	CORTE	710147	19027877	CORTE	710781	19033885	CORTE	710582	19034921B	CORTE	710213
19027829B	CORTE	710147	19027877B	CORTE	710781	19033885B	CORTE	710582	19034926	CORTE	710208
19027830	CORTE	710147	19027878	CORTE	710782	19033908	CORTE	224663	19034926B	CORTE	710208
19027830B	CORTE	710147	19027878B	CORTE	710782	19033908B	CORTE	224663	19034927	CORTE	710207
19027832	CORTE	710300	19027879	CORTE	710747	19033909	CORTE	223801	19034927B	CORTE	710207
19027832B	CORTE	224020	19027879B	CORTE	710747	19033909B	CORTE	223801	19034928	CORTE	710221
19027833	CORTE	710161	19027883	CORTE	710331	19033949	CORTE	710598	19034928B	CORTE	710221
19027833B	CORTE	710161	19027883B	CORTE	710331	19033949B	CORTE	710598	19034966	CORTE	710894
19027835	CORTE	710334	19027885	CORTE	228410	19033950	CORTE	710442	19034966B	CORTE	710894
19027835B	CORTE	710334	19027885B	CORTE	228410	19033950B	CORTE	710442	19034970	CORTE	224200
19027836	CORTE	1180	19027886	CORTE	228009	19033962	CORTE	710060	19034970B	CORTE	224200
19027836B	CORTE	1180	19027886B	CORTE	228009	19033962B	CORTE	710060	19034972	CORTE	225210
19027838	CORTE	471845N	19027887	CORTE	228009	19033964	CORTE	710616	19034972B	CORTE	225210
19027838B	CORTE	471845N	19027887B	CORTE	228009	19033964B	CORTE	710616	19034975	CORTE	1973
19027839	CORTE	710151	19027888	CORTE	710356	19034038	CORTE	710620	19034975B	CORTE	1973
19027839B	CORTE	710151	19027888B	CORTE	710356	19034038B	CORTE	710620	19034976	CORTE	710670
19027840	CORTE	710520	19027891	CORTE	224464	19034042	CORTE	710446	19034976B	CORTE	710670
19027840B	CORTE	710520	19027891B	CORTE	224464	19034042B	CORTE	710446	19034980	CORTE	710733
19027841	CORTE	471847N	19027897	CORTE	225040	19034043	CORTE	710767	19034980B	CORTE	710733
19027841B	CORTE	471847N	19027897B	CORTE	225040	19034043B	CORTE	710767	19034982	CORTE	2016
19027843	CORTE	494122	19027901	CORTE	710214	19034047	CORTE	222240	19034982B	CORTE	2016
19027843B	CORTE	494122	19027901B	CORTE	710214	19034047B	CORTE	222240	19034988	CORTE	224015
19027845	CORTE	710182	19027902	CORTE	710113	19034051	CORTE	710235	19034988B	CORTE	224015
19027845B	CORTE	710182	19027902B	CORTE	710113	19034051B	CORTE	710235	19034989	CORTE	710621
19027846	CORTE	710183	19027903	CORTE	1173	19034067	CORTE	710776	19034989B	CORTE	710621
19027846B	CORTE	710183	19027903B	CORTE	1173	19034067B	CORTE	710776	19034991	CORTE	224464
19027849	CORTE	710437	19027904	CORTE	710592	19034068	CORTE	710775	19034991B	CORTE	224464
19027849B	CORTE	710437	19027904B	CORTE	710592	19034068B	CORTE	710775	19034996	CORTE	710591
19027851	CORTE	222025	19027905	CORTE	2011	19034101	CORTE	710156	19034996B	CORTE	710591
19027851B	CORTE	222025	19027905B	CORTE	2011	19034101B	CORTE	710156	19035013	CORTE	224650
19027853	CORTE	227235	19027906	CORTE	710591	19034103	CORTE	710801	19035013B	CORTE	224650
19027853B	CORTE	227235	19027906B	CORTE	710591	19034103B	CORTE	710801	19035025	CORTE	710189
19027856	CORTE	710820	19027907	CORTE	710195	19034104	CORTE	223830	19035025B	CORTE	710189
19027856B	CORTE	710820	19027907B	CORTE	710195	19034104B	CORTE	223830	19035026	CORTE	710553
19027858	CORTE	710894	19027908	CORTE	710245	19034128	CORTE	229010	19035026B	CORTE	710553
19027858B	CORTE	710894	19027908B	CORTE	710245	19034128B	CORTE	229010	19035124	CORTE	710199
19027860	CORTE	222820	19027910	CORTE	710847	19034374	CORTE	710013	19035124B	CORTE	710199
19027860B	CORTE	222820	19027910B	CORTE	710847	19034374B	CORTE	710013	19035128	CORTE	710575
19027862	CORTE	224460	19027911	CORTE	710195	19034443	CORTE	710644	19035128B	CORTE	710575
19027862B	CORTE	224460	19027911B	CORTE	710195	19034443B	CORTE	710644	19035129	CORTE	710595
19027863	CORTE	224460	19027912	CORTE	1167	19034635	CORTE	225005	19035129B	CORTE	710595
19027863B	CORTE	224460	19027912B	CORTE	1167	19034635B	CORTE	225005	19035130	CORTE	710823
19027866	CORTE	710222	19027913	CORTE	712011	19034653	CORTE	710434	19035130B	CORTE	710823
19027866B	CORTE	710222	19027913B	CORTE	712011	19034653B	CORTE	710434	19035132	CORTE	710419
19027867	CORTE	710724	19029145	CORTE	710083	19034728	CORTE	223235	19035132B	CORTE	710419
19027867B	CORTE	710724	19029145B	CORTE	710083	19034728B	CORTE	223235	19035144	CORTE	225875

INTERCHANGE SECTION

COMPETITIVE INTERCHANGES



Mfr No.	Mfr. National	Mfr No.	Mfr. National	Mfr No.	Mfr. National	Mfr No.	Mfr. National
19035144B	CORTE 225875	19035232B	CORTE 222835	19046	BR-ST 480356	19137	MICH 471558
19035148	CORTE 710142	19035233	CORTE 710630	19046	OLIVE 417316	19137	UNIVE 471558
19035148B	CORTE 710142	19035233B	CORTE 710630	19046	OLIVE 455004	191383	US-EL 340385
19035153	CORTE 710596	19035238	CORTE 710805	190492	STUDE 450095	19138LUP	JN-MN 455584
19035153B	CORTE 710596	19035238B	CORTE 710805	190492	STUDE 473464	19146LDS	JN-MN 416268
19035157	CORTE 710218	19035246	CORTE 710217	19060	NEWPR 3946	19160	WHITE 414045
19035157B	CORTE 710218	19035246B	CORTE 710217	1906118	FMC 471554	1916213	STUDE 45653S
19035158	CORTE 710217	19035248	CORTE 710795	19062	AIRCO 416047	191685	VOLVO 222820
19035158B	CORTE 710217	19035248B	CORTE 710795	19062	AIRCO 416332	1916857	VOLVO 222820
19035159	CORTE 710199	19035249	CORTE 710816	19062LDS	JN-MN 472164	19169124	GMC 710497
19035159B	CORTE 710199	19035249B	CORTE 710816	1906526	GMC 472826	191703	STUDE 200354
19035160	CORTE 710818	19035252	CORTE 711005	19067A	HERCU 5MR71	1917999	GMC 480210
19035160B	CORTE 710818	19035252B	CORTE 711005	190747	STUDE 42763	1918047	GMC 471231
19035163	CORTE 223010	19035260	CORTE 710614	1907D5	WHITE 475380N	19180849	GMC 710105
19035163B	CORTE 223010	19035260B	CORTE 710614	19084LDS	JN-MN 3395	191833	JEFF 417601
19035164	CORTE 1953	19035293	CORTE 710752	190850	JEFF 450154	19185168	GMC 710237
19035164B	CORTE 1953	19035293B	CORTE 710752	190850	JEFF 473234	19185504	GMC 710707
19035165	CORTE 1019	19035377	CORTE 710715	1908656	GMC 473438	19186	EATON 614743
19035165B	CORTE 1019	19035377B	CORTE 710715	19090	C-R 4904	191876	WAUKE 471413
19035183	CORTE 710187	19035397	CORTE 710310	19090	SKF 4904	19188	DIVCO 5M293
19035183B	CORTE 710187	19035397B	CORTE 710310	19092	C-R 710644	191887	KRSE 412920
19035184	CORTE 710352	19035438	CORTE 710774	19092	SKF 710644	19190	DIVCO 450085
19035184B	CORTE 710352	19035438B	CORTE 710774	190930	STUDE 8160S	19190	DIVCO 470530
19035186	CORTE 710639	19035976	CORTE 710850	1909498	GMC 472560N	19192	C-R 710649
19035186B	CORTE 710639	19035976B	CORTE 710850	1909498	GMC 50151S	19192	SKF 710649
19035187	CORTE 710526	19036249	CORTE 710236	19095	C-R 710305	19195	EATON 410987
19035187B	CORTE 710526	19036249B	CORTE 710236	19095	SKF 710305	19195	EATON 450103
19035191	CORTE 710707	19036250	CORTE 710819	19097	C-R 4904	19200	C-R 1936
19035191B	CORTE 710707	19036250B	CORTE 710819	19097	SKF 4904	19200	SKF 1936
19035192	CORTE 710615	19036280	CORTE 223230	1909851	GMC 471466	19205461	GMC 710237
19035192B	CORTE 710615	19036280B	CORTE 223230	19099	OLIVE 450069	19206241	ACDEL 7412S
19035194	CORTE 223800	19036367	CORTE 710867	19099	OLIVE 473232	19206241	GMC 7412S
19035194B	CORTE 223800	19036367B	CORTE 710867	1909957	GMC 450065	19208	C-R 710565
19035197	CORTE 710525	19036653	CORTE 224200	191	C-R 5591	19208	SKF 710565
19035197B	CORTE 710525	19036653B	CORTE 224200	191	SKF 5591	19210	C-R 474269
19035198	CORTE 710731	19036654	CORTE 710674	191598625	AUDI 1962	19210	KINGN 470163
19035198B	CORTE 710731	19036654B	CORTE 710674	191598625	VW 1962	19210	KINGN 471766
19035199	CORTE 710138	19036711	CORTE 711027	19100	C-R 710148	19210	SKF 474269
19035199B	CORTE 710138	19036711B	CORTE 711027	19100	SKF 710148	19211	C-R 710058
19035200	CORTE 712551	19036716	CORTE 2012V	19102	EATON 713750	19211	SKF 710058
19035200B	CORTE 712551	19036716B	CORTE 2012V	1910379	GMC 6324S	19212	C-R 474269
19035201	CORTE 710732	19036717	CORTE 482041N	19109	FULLE 713750	19212	SKF 474269
19035201B	CORTE 710732	19036717B	CORTE 482041N	19112	MICH 471532	19214	C-R 6815
19035203	CORTE 712938	19036722	CORTE 711001	1912235	GMC 474278	19214	SKF 6815
19035203B	CORTE 712938	19036722B	CORTE 711001	1912235	GMC 480356	19215	C-R 470409
19035207	CORTE 710727	19036809	CORTE 710554	19125	MICH 473405	19215	SKF 470409
19035207B	CORTE 710727	19036809B	CORTE 710554	19125	UNIVE 473405	19219	C-R 6815
19035212	CORTE 712551	19036893	CORTE 710699	19127LDS	JN-MN 416147	19219	SKF 6815
19035212B	CORTE 712551	19036893B	CORTE 710699	19129	NEWPR 710663	1921B	GOODM 413247
19035213	CORTE 710150	19036919	CORTE 223005	19132801	GMC 710658	1921B	GOODM 450350
19035213B	CORTE 710150	19036919B	CORTE 223005	19133014	GMC 710809	19220	C-R 471195
19035222	CORTE 710451	19036928	CORTE 710571	19133150	GMC 710695	19220	C-R 481195
19035222B	CORTE 710451	19036928B	CORTE 710571	19133151	GMC 710675	19220	SKF 471195
19035224	CORTE 710796	19037	BR-ST 471651	19133155	GMC 710646	19220	SKF 481195
19035224B	CORTE 710796	190371	BR-ST 471651	19133156	DTCOM 710831	19221	C-R 6815
19035226	CORTE 710308	19037196	CORTE 710939	19133156	GMC 710831	19221	SKF 6815
19035226B	CORTE 710308	19037196B	CORTE 710939	19133157	GMC 710647	19223	C-R 9150S
19035229	CORTE 710629	190397	CUMMI J1396	19133210	ACDEL 223253	19223	SKF 9150S
19035229B	CORTE 710629	190458M1	MASSE 416444	19133210	GMC 223253	192238	HYST 200861
19035232	CORTE 222835	19046	BR-ST 474278	19133212	GMC 710689	192239	HYST JV933

INTERCHANGE SECTION

COMPETITIVE INTERCHANGES

INTERCHANGE SECTION

Mfr No.	Mfr.	National	Mfr No.	Mfr.	National	Mfr No.	Mfr.	National	Mfr No.	Mfr.	National
192249	<i>HYST</i>	200854	192683TB	<i>TRSCM</i>	473459	1932011623	<i>WABCO</i>	240414	194018	<i>AU-WS</i>	470027
19226	<i>C-R</i>	472319	192683VTB	<i>TRSCM</i>	470138V	193201218	<i>WABCO</i>	343185	194018	<i>AU-WS</i>	471554
19226	<i>SKF</i>	472319	1926D	<i>GOODM</i>	413246	193210	<i>HYST</i>	417362	194020	<i>AU-WS</i>	470045
1922774	<i>CHRYS</i>	410825	1926D	<i>GOODM</i>	413246N	19324	<i>C-R</i>	710459	194020	<i>AU-WS</i>	476838
19229	<i>C-R</i>	472319	1927290	<i>TAYLR</i>	J1109	19324	<i>SKF</i>	710459	194022	<i>AU-WS</i>	471750
19229	<i>SKF</i>	472319	1927293	<i>TAYLR</i>	J1136	19325	<i>C-R</i>	710394	194024	<i>AU-WS</i>	471354
1922A3	<i>WHITE</i>	410101N	1927295	<i>CHRYS</i>	415004	19325	<i>SKF</i>	710394	194026	<i>AU-WS</i>	451948
19234	<i>EATON</i>	415458	1927295	<i>CHRYS</i>	417316	1932S	<i>TIMKE</i>	1932	194028	<i>AU-WS</i>	416738
19234	<i>EATON</i>	455003	19273	<i>C-R</i>	2043	193303H1	<i>HOUGH</i>	416107	194028	<i>AU-WS</i>	450096
19235	<i>EATON</i>	450095	19273	<i>SKF</i>	2043	193303H1	<i>HOUGH</i>	455073	194030	<i>AU-WS</i>	450121
19235	<i>EATON</i>	473464	1927475	<i>TAYLR</i>	345035	19333	<i>C-R</i>	710081	194030	<i>AU-WS</i>	472409
19236	<i>C-R</i>	3173	1927550	<i>TAYLR</i>	472492	19333	<i>SKF</i>	710081	194032	<i>AU-WS</i>	473245
19236	<i>C-R</i>	471869	1927575	<i>TAYLR</i>	417316	19334	<i>LEECE</i>	470712	194034	<i>AU-WS</i>	450316
19236	<i>SKF</i>	3173	1927590	<i>TAYLR</i>	417269	1933772	<i>CHRYS</i>	240735	194034	<i>AU-WS</i>	472636
19236	<i>SKF</i>	471869	192765TB	<i>TRSCM</i>	2043	1933789	<i>CHRYS</i>	415991	194036	<i>AU-WS</i>	412920
19237	<i>C-R</i>	3173	19277	<i>C-R</i>	8622	1933789	<i>CHRYS</i>	415991N	194036	<i>AU-WS</i>	450132
19237	<i>C-R</i>	473459	19277	<i>SKF</i>	8622	193407	<i>STUDE</i>	471466	194038	<i>AU-WS</i>	416288
19237	<i>SKF</i>	3173	1927C	<i>GOODM</i>	413247	1934676	<i>CHRYS</i>	40494S	194040	<i>AU-WS</i>	415034
19237	<i>SKF</i>	473459	1927C	<i>GOODM</i>	450350	1934786	<i>CHRYS</i>	474276	194040	<i>AU-WS</i>	455034
1923936	<i>CHRYS</i>	470898	1927D	<i>GOODM</i>	413247	1935	<i>TIMKE</i>	1935	194042	<i>AU-WS</i>	416891
1923937	<i>CHRYS</i>	471341	1927D	<i>GOODM</i>	450350	19350	<i>C-R</i>	473460	194044	<i>AU-WS</i>	416137
19240	<i>C-R</i>	483459H	1928	<i>TIMKE</i>	1928	19350	<i>SKF</i>	473460	194046	<i>AU-WS</i>	470169
19240	<i>C-R</i>	6988H	19281	<i>DIVCO</i>	473203	1935033	<i>CHRYS</i>	476574N	194046	<i>AU-WS</i>	473214
19240	<i>SKF</i>	483459H	192815TCJ	<i>TRSCM</i>	8622	1935303	<i>MOPAR</i>	240731	194050	<i>AU-WS</i>	470950
19240	<i>SKF</i>	6988H	19284	<i>OLIVE</i>	473215	19359	<i>C-R</i>	472394	194050	<i>AU-WS</i>	6241S
19243	<i>C-R</i>	470138V	19286	<i>C-R</i>	472144	19359	<i>SKF</i>	472394	194052	<i>AU-WS</i>	450067
19243	<i>SKF</i>	470138V	19286	<i>SKF</i>	472144	1936	<i>TIMKE</i>	1936	194052	<i>AU-WS</i>	473228
19244	<i>C-R</i>	3173	1928B	<i>GOODM</i>	416271	19360	<i>C-R</i>	472394	194054	<i>AU-WS</i>	450185
19244	<i>SKF</i>	3173	1928D	<i>GOODM</i>	450316	19360	<i>SKF</i>	472394	194054	<i>AU-WS</i>	473229
192527C1	<i>IH</i>	472179	1928D	<i>GOODM</i>	472636	19372	<i>C-R</i>	710693	194056	<i>AU-WS</i>	450069
192528C1	<i>IH</i>	471984	19293	<i>C-R</i>	710627	19372	<i>SKF</i>	710693	194056	<i>AU-WS</i>	473232
19253TB	<i>TRSCM</i>	471195	19293	<i>SKF</i>	710627	193794	<i>BENDI</i>	350954	194058	<i>AU-WS</i>	473235
19253TB	<i>TRSCM</i>	481195	19299083	<i>GMC</i>	710646	193794	<i>BENDI</i>	470954	194060	<i>AU-WS</i>	450070
19255	<i>C-R</i>	710928	19299084	<i>GMC</i>	710831	193796	<i>HYST</i>	415988	194060	<i>AU-WS</i>	472185
19255	<i>SKF</i>	710928	192J	<i>OSHKO</i>	470950	19380	<i>C-R</i>	473461	194062	<i>AU-WS</i>	470074
192550	<i>VOLVO</i>	40769S	192J	<i>OSHKO</i>	6241S	19380	<i>SKF</i>	473461	194062	<i>AU-WS</i>	474265
1925502	<i>VOLVO</i>	40769S	1930	<i>TMTR</i>	473212	1938104	<i>GMC</i>	471526	194064	<i>AU-WS</i>	450076
19256368	<i>GMC</i>	710546	19300	<i>C-R</i>	472144	19382	<i>ONAN</i>	470120	194064	<i>AU-WS</i>	470334
19256468	<i>ACDEL</i>	710709	19300	<i>SKF</i>	472144	19382	<i>ONAN</i>	471224	194066	<i>AU-WS</i>	473450
19256468	<i>GMC</i>	710709	19301	<i>C-R</i>	472144	19387	<i>C-R</i>	710162	194068	<i>AU-WS</i>	472144
19257296	<i>GMC</i>	710687	19301	<i>SKF</i>	472144	19387	<i>SKF</i>	710162	19407	<i>C-R</i>	450094
19257296	<i>SAAB</i>	710687	19302083	<i>GMC</i>	710778	1939798	<i>GMC</i>	450065	19407	<i>SKF</i>	450094
192572KMJ	<i>TRSCM</i>	9150S	19303TB	<i>TRSCM</i>	472394	1940	<i>TIMKE</i>	1940	194070	<i>AU-WS</i>	473448
1925822	<i>CHRYS</i>	456618	19305	<i>C-R</i>	5531	19400	<i>C-R</i>	471391	194072	<i>AU-WS</i>	473460
19258265	<i>GMC</i>	710583	19305	<i>SKF</i>	5531	19400	<i>SKF</i>	471391	194074	<i>AU-WS</i>	472394
19258266	<i>ACDEL</i>	710546	193089	<i>HYST</i>	417362	194002	<i>AU-WS</i>	470120	194076	<i>AU-WS</i>	473313
19258266	<i>GMC</i>	710546	1931105	<i>CHRYS</i>	9773	194002	<i>AU-WS</i>	471224	194078	<i>AU-WS</i>	470088
19258416	<i>ACDEL</i>	710709	19314	<i>C-R</i>	3896	194004	<i>AU-WS</i>	450593	194080	<i>AU-WS</i>	450094
19258416	<i>GMC</i>	710709	19314	<i>SKF</i>	3896	194006	<i>AU-WS</i>	471733	194080	<i>AU-WS</i>	473462
19259179	<i>GMC</i>	710647	19315TB	<i>TRSCM</i>	471391	194008	<i>AU-WS</i>	450083	194082	<i>AU-WS</i>	412119
19259C	<i>IH</i>	473215	19316209	<i>ACDEL</i>	224650	194008	<i>AU-WS</i>	472924	194082	<i>AU-WS</i>	450101
19259D	<i>IH</i>	473215	19316209	<i>GMC</i>	224650	194008	<i>B-L-H</i>	450083	194084	<i>AU-WS</i>	411245
19263TB	<i>TRSCM</i>	473814	1931666	<i>MOPAR</i>	240733	194008	<i>B-L-H</i>	472924	194084	<i>AU-WS</i>	455096
19264	<i>C-R</i>	473241	19317	<i>C-R</i>	710496	194010	<i>AU-WS</i>	450085	194086	<i>AU-WS</i>	415449
19264	<i>SKF</i>	473241	19317	<i>SKF</i>	710496	194010	<i>AU-WS</i>	470530	194086	<i>AU-WS</i>	455147
19265SP	<i>TRSCM</i>	5121	193183SL	<i>TRSCM</i>	450094	194012	<i>AU-WS</i>	473463	194088	<i>AU-WS</i>	415001
19267	<i>C-R</i>	710162	1932	<i>TIMKE</i>	1932	194014	<i>AU-WS</i>	415995	194088	<i>AU-WS</i>	455001
19267	<i>SKF</i>	710162	193201	<i>BENDI</i>	240414	194014	<i>AU-WS</i>	455013	194090	<i>AU-WS</i>	415458
192683SSB	<i>TRSCM</i>	6988H	1932011018	<i>WABCO</i>	240009	194016	<i>AU-WS</i>	450025	194090	<i>AU-WS</i>	455003
192683TB	<i>TRSCM</i>	471869	1932011218	<i>WABCO</i>	343185	194016	<i>AU-WS</i>	471553	194092	<i>AU-WS</i>	417316

COMPETITIVE INTERCHANGES



Mfr No.	Mfr.	National	Mfr No.	Mfr.	National	Mfr No.	Mfr.	National	Mfr No.	Mfr.	National
194092	AU-WS	455004	194170	B-L-H	412473	194258	AU-WS	415303	194324	AU-WS	450115
194094	AU-WS	416921	194170	B-L-H	415894	194260	AU-WS	417474	194324	AU-WS	473467
194094	AU-WS	455011	194172	AU-WS	417210	194262	AU-WS	470351	194326	AU-WS	455290
194096	AU-WS	55419	194174	AU-WS	417205	194262	AU-WS	471504	194326	B-L-H	455290
194098	AU-WS	415991	194176	AU-WS	416107	194262	B-L-H	470351	194326	CLARK	455290
194098	AU-WS	455146	194176	AU-WS	455073	194262	B-L-H	471504	194328	AU-WS	455195
1941	TIMKE	1941	194178	AU-WS	415138	194262D	GARLK	5121	194328	AU-WS	472157
194100	AU-WS	416047	194180	AU-WS	40337S	194264	AU-WS	416664	194330	AU-WS	450143
194100	AU-WS	416332	194184	AU-WS	470712	194264	AU-WS	455364	194332	AU-WS	450519
194102	AU-WS	415379	194186	AU-WS	411376	194266	AU-WS	415060	194332	AU-WS	471271
194102	AU-WS	455379	194186	AU-WS	455093	194268	AU-WS	416153	194334	AU-WS	471689
194104	AU-WS	416339	194188	AU-WS	450519	194270	AU-WS	415938	194338	AU-WS	416956
194104	AU-WS	455031	194188	AU-WS	471271	194270	B-L-H	415938	194342	AU-WS	6590S
194106	AU-WS	415150	194190	AU-WS	417171	194270	CLARK	415938	194354	AU-WS	55301S
194108	AU-WS	416888	194192	AU-WS	417181	194271MI	MASSE	6668S	194358	AU-WS	331107N
194108	AU-WS	455200	194196	AU-WS	45187S	194272	AU-WS	415072	194362	AU-WS	455018
194110	AU-WS	416892	1941963	EL-WH	350364	194274	AU-WS	471689	194362	AU-WS	476470
194112	AU-WS	417538	194200	AU-WS	450117	194276	AU-WS	415294	194366	AU-WS	455406
194114	AU-WS	417269	194200	AU-WS	472572	194276	AU-WS	455294	194370	AU-WS	455584
194116	AU-WS	473227	194202	AU-WS	450089	194278	AU-WS	473225	194372	AU-WS	410987
194118	AU-WS	455566	194202	B-L-H	450089	19428	C-R	710281	194372	AU-WS	450103
194118	B-L-H	455566	1942020	CHRY5	331227H	19428	SKF	710281	194374	AU-WS	480210
194120	AU-WS	6936S	194204	AU-WS	416404	194280	AU-WS	417254	194376	AU-WS	450085
194124	AU-WS	417488	194206	AU-WS	417344	194282	AU-WS	450082	194376	AU-WS	470530
194126	AU-WS	415036	194206	AU-WS	455006	194282	AU-WS	473238	19438	C-R	473461
194126	B-L-H	415036	194206	B-L-H	417344	194282UB	TRSCM	200371	19438	SKF	473461
194126	CLARK	415036	194206	B-L-H	455006	194284	AU-WS	415483	194380	AU-WS	470548
194128	AU-WS	417537	194208	AU-WS	417355	194284	AU-WS	455368	194380	AU-WS	470625
194128	B-L-H	417537	194210	AU-WS	471424	194286	AU-WS	417172	194382	AU-WS	415027
194130	AU-WS	417551	194212	AU-WS	472439	194288	AU-WS	471270	194382	AU-WS	455027
194134	AU-WS	450115	194214	AU-WS	471869	194288	STUDE	470548	194384	AU-WS	417316
194134	AU-WS	473467	194214	AU-WS	473459	194288	STUDE	470625	194384	AU-WS	455004
194136	AU-WS	416294	194216	AU-WS	415645	194290	AU-WS	456105	194386	AU-WS	415725
194138	AU-WS	472070	194216	AU-WS	455104	194292H1	IH	415013	194388	AU-WS	7208S
194140	AU-WS	450365	194218	AU-WS	450389	194292H1	IH	415995	194390	AU-WS	470548
194140	AU-WS	470898	194218	AU-WS	472492	194294	AU-WS	415035	194390	AU-WS	470625
194140	B-L-H	450365	194220	AU-WS	470354	194294	AU-WS	455035	194392	AU-WS	416476
194140	B-L-H	470898	194222	AU-WS	50528	194296	AU-WS	417351	194392	AU-WS	455075
194142	AU-WS	418029	194224	AU-WS	471267	194296	AU-WS	455154	194393H1	IH	455200N
194142	AU-WS	455499	194226	AU-WS	472258	194298	AU-WS	417546	1944	NATL	494117
194142	B-L-H	418029	194228	AU-WS	450307	194298	B-L-H	417546	194402	AU-WS	417563
194142	B-L-H	455499	194230	AU-WS	471192	1943	TIMKE	1943	194408	AU-WS	476470
194144	AU-WS	416011	194230	B-L-H	471192	194300	AU-WS	417159	194411	AU-WS	416011
194144	AU-WS	417621	194230	CLARK	471192	194302	AU-WS	415302	194411	AU-WS	417621
194146	AU-WS	415379	1942303	CHRY5	331228H	194304	AU-WS	410312N	194412	AU-WS	415442
194146	AU-WS	455379	194232	AU-WS	411394	194304	CLARK	472016	194413	AU-WS	415074
194148	AU-WS	473016	194232	AU-WS	450317	194306	AU-WS	450489	194414	AU-WS	415146
194150	AU-WS	473215	194234	AU-WS	415281N	194306	AU-WS	473244	194414	AU-WS	415991
194152	AU-WS	470059	194236	AU-WS	450313	194306	B-L-H	450489	194415	AU-WS	415138
194152	AU-WS	470380	194238	AU-WS	473243	194306	B-L-H	473244	194416	AU-WS	415035
194156	AU-WS	482253	194240	AU-WS	473473	194308	AU-WS	40555	194416	AU-WS	415953
194158	AU-WS	450154	1942401	CHRY5	474260	194308	AU-WS	40555S	194417	AU-WS	410519
194158	AU-WS	473234	194246	AU-WS	473236	194312	AU-WS	450269	194417	AU-WS	471271
194160	AU-WS	470334	194248	AU-WS	450133	194314	AU-WS	413469	194418	AU-WS	470625
194160	AU-WS	50289	194250	AU-WS	413247	194316	AU-WS	417487	194419	AU-WS	350414
194162	AU-WS	410694	194250	AU-WS	450350	194316	AU-WS	455086	194419	AU-WS	472311
194164	AU-WS	450104	194252	AU-WS	470605	194318	AU-WS	410825	194420	AU-WS	415437
194166	AU-WS	416444	194254	AU-WS	327303	194320	AU-WS	417538	194421	AU-WS	415027
194170	AU-WS	412473	194256	AU-WS	415991	194322	AU-WS	450352	194422	AU-WS	472185
194170	AU-WS	415894	194256	AU-WS	455146	194322	AU-WS	472164	194423	AU-WS	471466

INTERCHANGE SECTION

COMPETITIVE INTERCHANGES

Mfr No.	Mfr.	National	Mfr No.	Mfr.	National	Mfr No.	Mfr.	National	Mfr No.	Mfr.	National
194423H1	HOUGH	416404	19535	EATON	410737	196	C-R	5095	19628	SKF	710357
194425	AU-WS	415899N	19535	EATON	450737	196	SKF	5095	196286	SPERY	473313
194425	AU-WS	416624N	19536	EATON	411253	1960	TIMKE	1960	196298	ALLCH	415142
194426	AU-WS	415085	19536	EATON	450099	19600	C-R	225010	1962984	ALLCH	415142
194427	AU-WS	240733	195367M1	MASSE	46997S	19600	SKF	225010	19630	C-R	1960
194428	AU-WS	240735	19537	EATON	416654	19601	C-R	710354	19630	SKF	1960
194429	AU-WS	415004	19537	EATON	455012	19601	SKF	710354	19635	C-R	710173
194429	AU-WS	417316	1953S	TIMKE	1953	196011	SPERY	471272	19635	SKF	710173
194430	AU-WS	471138	1954	NATL	224820	19602	C-R	225005	1963807C1	CASE	471264
194431	AU-WS	417343	195452M1	MASSE	472354	19602	SKF	225005	1963843C1	CASE	472705
194432	AU-WS	417344	195452M1	MASSE	50395S	196035M1	MASSE	471760	19639	C-R	710398
194435	AU-WS	473237	195458M1	MASSE	50528	19604	C-R	710098	19639	SKF	710398
194436	AU-WS	470954	195459M1	MASSE	450194	19604	SKF	710098	19640	C-R	225030
19445	C-R	450965	195459M1	MASSE	473010	19605	C-R	1209	19640	SKF	225030
19445	SKF	450965	195474M1	MASSE	450389	19605	SKF	1209	19641	C-R	225040
19449	C-R	417474	195474M1	MASSE	472492	1960553	GMC	3667	19641	SKF	225040
19449	SKF	417474	1955	TIMKE	1955	19606	C-R	1209	19643	C-R	450474
194495	US-EL	472397	195501M1	MASSE	472560N	19606	SKF	1209	19643	C-R	5695
1946	NATL	224252	195501M1	MASSE	50151S	196069	HYST	411245	19643	SKF	450474
19466	C-R	456057	195506M1	MASSE	470334	19607	C-R	473814	19643	SKF	5695
19466	SKF	456057	195523M1	MASSE	450604	19607	SKF	473814	19644	C-R	5695
1947	NATL	228020	195536	CLARK	470954	196071	HYST	417352	19644	SKF	5695
1947581	CHRYSS	3095	19554	C-R	225040	196071	HYST	418028	196452C1	IH	412943
1948	TIMKE	1948	19554	SKF	225040	196072	HYST	J1122	196465H1	HOUGH	415023
1949	TIMKE	1949	195555M1	MASSE	450083	19608	C-R	1948	196465H1	IH	415023
1949350	CHRYSS	7188S	195555M1	MASSE	472924	19608	SKF	1948	196495	ALLCH	416339
194993	DOMGA	474278	19556	C-R	710112	19609	C-R	710732	196496	ALLCH	415867
194993	DOMIN	474278	19556	SKF	710112	19609	SKF	710732	1965	TIMKE	1965
1949933	CHRYSS	474278	195677M1	MASSE	415984	19610	C-R	7751H	19651	C-R	710899
194T5	WHITE	410316	195678M1	MASSE	450867	19610	SKF	7751H	19651	SKF	710899
194T5	WHITE	472636	195678M1	MASSE	470898	1961007	LILIS	470380	19656	C-R	710137
195	BUSHH	204002	195678M2	MASSE	450867	19611	C-R	225020	19656	SKF	710137
1950	TIMKE	1950	195678M2	MASSE	470898	19611	SKF	225020	19660	C-R	40370S
19500	C-R	5121	19568	C-R	710485	19612	C-R	229522	19660	SKF	40370S
19500	SKF	5121	19568	SKF	710485	19612	SKF	229522	19662	C-R	225050
195003A	OLIVE	417487	1956S	TIMKE	1956	19613	C-R	710194	19662	SKF	225050
195003A	OLIVE	455086	19572	C-R	710112	19613	SKF	710194	19665	C-R	225050
195019M1	MASSE	450446	19572	SKF	710112	19615	C-R	450472	19665	SKF	225050
195020M1	MASSE	418028	19573	C-R	710674	19615	SKF	450472	19668	C-R	225082
195020M1	MASSE	455137	19573	SKF	710674	196183	STUDE	240698	19668	SKF	225082
195021M1	MASSE	471785	195757M1	MASSE	473461	19619	C-R	1948	19671	C-R	710888
195022M1	MASSE	470403	195758M1	MASSE	473236	19619	SKF	1948	19671	SKF	710888
195022M1	MASSE	470774	195759M1	MASSE	470169	1962	TIMKE	1962	196737	STUDE	473245
195051A	OLIVE	203025	195759M1	MASSE	473214	19620	C-R	450911N	196742	STUDE	473450
19510	C-R	200371	195760M1	MASSE	5872S	19620	SKF	450911N	19676	C-R	710225
19510	SKF	200371	195761M1	MASSE	473423	19621	C-R	710194	19676	SKF	710225
195211M1	MASSE	455079	195763M1	MASSE	471829	19621	SKF	710194	19677	C-R	225082
195218M1	MASSE	415150	19578	C-R	710112	19622	C-R	225005	19677	SKF	225082
195226M1	MASSE	413247	19578	SKF	710112	19622	SKF	225005	1968	NATL	1174
195226M1	MASSE	450350	195786H1	IH	415137	19623	C-R	710529	1968	TIMKE	1174
195245M1	MASSE	473215	195786H1	IH	418028	19623	SKF	710529	19682	GEM	240319
195255M1	MASSE	455008	195870M1	MASSE	472560N	19624	C-R	710226	19687	C-R	710117
195271M1	MASSE	6668S	195870M1	MASSE	50151S	19624	SKF	710226	19687	SKF	710117
195287M1	MASSE	480630	19588F	OSHKO	415138	19626	C-R	1974	19689	C-R	710071
195291M1	MASSE	470120	1959	TIMKE	1959	19626	SKF	1974	19689	SKF	710071
195291M1	MASSE	471224	195925M91	MASSE	40140S	19627	C-R	1974	196927	SPERY	415867
1953	WVG	1953	19596	C-R	1948	19627	SKF	1974	19695A	C-R	710674
195321M1	MASSE	240735	19596	SKF	1948	19628	C-R	1974	19695A	SKF	710674
19534	EATON	450082	19599	C-R	710192	19628	C-R	710357	19698	C-R	476512
19534	EATON	473238	19599	SKF	710192	19628	SKF	1974	19698	SKF	476512

INTERCHANGE SECTION

COMPETITIVE INTERCHANGES



Mfr No.	Mfr. National	Mfr No.	Mfr. National	Mfr No.	Mfr. National	Mfr No.	Mfr. National
19707D	IH 471570	19785	SKF 474272	19876	SKF 6163S	199417	B-L-H 410519
19709	C-R 1941	19786	C-R 474272	1987S	TIMKE 1987	199417	B-L-H 471271
19709	SKF 1941	19786	SKF 474272	19880	C-R 200339	199451A	WAUKE J1107
197131	STUDE 473438	1979	TIMKE 1979	19880	C-R 472924	199451C	WAUKE J1115
197132	STUDE 450115	19793	C-R 710365	19880	SKF 200339	19955	C-R 710555
197132	STUDE 473467	19793	SKF 710365	19880	SKF 472924	19955	SKF 710555
19720	C-R 200885	19797	LEECE 470712	19881	CLAYN 416404	199653R91	IH 471195
19720	SKF 200885	197974H1	HOUGH 415003	19882	C-R 8998	199653R91	IH 481195
197269	STUDE 473211	197974H1	HOUGH 415458	19882	SKF 8998	19966	C-R 3404
1973	TIMKE 1973	19799	C-R 3404	19884	C-R 320259	19966	SKF 3404
19730	C-R 4189H	19799	C-R 3404V	19884	SKF 320259	19969	C-R 450085
19730	SKF 4189H	19799	SKF 3404	19886	C-R 472924	19969	C-R 470530
1973110	OSHKO 370003A	19799	SKF 3404V	19886	SKF 472924	19969	SKF 450085
19739	C-R 452261H	1980	NATL 3771	19887	C-R 472924	19969	SKF 470530
19739	SKF 452261H	19803	C-R 5113	19887	SKF 472924	1997	NATL 1012N
1974	TIMKE 1974	19803	SKF 5113	1989	TIMKE 1989	19970	C-R 410085
19743	C-R 4148	19807	C-R 331107N	198908	ALLCH 415725	19970	C-R 410085N
19743	SKF 4148	19807	SKF 331107N	198921	US-EL 471138	19970	SKF 410085
19745	C-R 352541	1981	TIMKE 1981	19896	C-R 472924	19970	SKF 470530
19745	C-R 452261H	1981	VIC 222430	19896	SKF 472924	199717R91	IH 472299
19745	SKF 352541	198116	ALLCH 474276	198975	STUDE 8160S	19980D	IH 412861
19745	SKF 452261H	19812D	IH 470027	199	C-R 5092	19982	C-R 714654
19746	C-R 40410S	19812D	IH 471554	199	SKF 5092	19982	SKF 714654
19746	SKF 40410S	19817D	IH 470027	1990	TIMKE 1990	19984	C-R 8871
19748	C-R 40401	19817D	IH 471554	19900	C-R 450083	19984	SKF 8871
19748	SKF 40401	19818K	SUL 471750	19900	SKF 450083	1999	TIMKE 1999
19750	FMC 470059	19819	FAIRB 470050	199044H1	HOUGH 415304	19992	C-R 472397
19750	FMC 470380	1982	NATL 3771	199044H1	HOUGH 476470	19992	SKF 472397
19753	C-R 4739	1982	WMG 3771	19905	C-R 710263	19993	C-R 472397
19753	C-R 8871	19820	C-R 5865	19905	SKF 710263	19993	SKF 472397
19753	SKF 4739	19820	SKF 5865	199050	STUDE 350414	19995	C-R 472397V
19753	SKF 8871	198291	HYST 417349	199050	STUDE 472311	19995	SKF 472397V
19754	C-R 40401	1983	NATL 225230	199072	JEFF 471192	19DKB0214	WHITE 475009N
19754	SKF 40401	19831	C-R 472492	1991	NATL 1953	19DT633	OSHKO 415379
19757	C-R 9015S	19831	SKF 472492	199114	JEFF 417357	19FK0431	WHITE 415147
19757	SKF 9015S	19832	C-R 710447	199114	JEFF 455192	19FK0431	WHITE 415449
1976	NATL 223542	19832	SKF 710447	199123R91	IH 456618	19SKB0214	WHITE 472164
19760	C-R 471424	19834	C-R 40389S	199124R91	IH 415351	19SKB024	WHITE 472164
19760	SKF 471424	19834	SKF 40389S	1992	TIMKE 1992	19UG0214	WHITE 473227
19761D	IH 475003N	19839	C-R 3404	19922	C-R 472082	19UG024	WHITE 473227
19762	C-R 471424	19839	C-R 472492V	19922	SKF 472082	19UG0431	WHITE 411253
19762	SKF 471424	19839	SKF 3404	199294H1	HOUGH 473010	19X35X10	NATL 45031S
19763	C-R 4148	19839	SKF 472492V	1992M	BRAD 450025	1A7288A	FORD 7399S
19763	SKF 4148	1984	TIMKE 1984	1992M	BRAD 471553	1A122	NOVO 471466
19768	C-R 9406S	19840	C-R 472492V	1993	TIMKE 1993	1A3253	LEYLD 472258
19768	SKF 9406S	19840	SKF 472492V	199303	US-EL 471255	1A3472	FED 450076
197705A	OLIVE 450400	19844	C-R 200881	19933	KINGN 473205	1A3472	FED 470334
19773	C-R 3794	19844	SKF 200881	199334	WAUKE 416865	1A3473	FED 471750
19773	SKF 3794	198477	ALLCH 416282	199334	WAUKE 455070	1A3480	FED 473215
197752	SPERY 415281N	19848	C-R 472653	199379	STUDE 5778	1A3737	FED 450085
19777	C-R 471424V	19848	SKF 472653	199379X1	STUDE 5778	1A3737	FED 470530
19777	SKF 471424V	19851	C-R 493524	19938	C-R 205044	1A4194	FED 45637S
19778	C-R 471870	19851	SKF 493524	19938	SKF 205044	1A4256	FED 481568
19778	SKF 471870	19852	C-R 331301N	19939	C-R 4598	1A4664	FED 6460S
1978	WMG 224270	19852	SKF 331301N	19939	C-R 714598	1A5033065	MAZDA 710522
19784	C-R 4739	198578	ALLCH 415234	19939	SKF 4598	1A5543	FED 450066
19784	SKF 4739	19857D	IH 450048	19939	SKF 714598	1A5543	FED 473367
19785	C-R 470543	1986S	TIMKE 1986	1994	TIMKE 1994	1A6032	FED 340385
19785	C-R 474272	198742H1	IH 415447	19940	C-R 205044	1A6054	FED 417344
19785	SKF 470543	19876	C-R 6163S	19940	SKF 205044	1A6054	FED 455006

INTERCHANGE SECTION

COMPETITIVE INTERCHANGES

Mfr No.	Mfr.	National	Mfr No.	Mfr.	National	Mfr No.	Mfr.	National	Mfr No.	Mfr.	National
1A7214	FED	471689	1B6029	CATER	470074	1CS1918	FWD	471466	1F0636	CATER	455073
1A7222	FED	450067	1B6029	CATER	474265	1CS2049	FWD	450076	1F100175	UNIVE	471689
1A7222	FED	473228	1B6098	STERL	473215	1CS2049	FWD	470334	1F11113	MURRA	410987
1A7372	FED	471192	1B6154	STERL	5751	1CU9424	WHITE	411245	1F11113	MURRA	450103
1A78062	FWD	473227	1B6256	LEYLD	471224	1CU9424	WHITE	455096	1F2010602	MAZDA	223750
1A78062	WAUKE	473227	1B6363	STERL	370036A	1CX9424	WHITE	415138	1F2010602A	MAZDA	223750
1AA9424	WHITE	450067	1B6389	STERL	415137	1D1443A	OLIVE	416292	1F2023657	MAZDA	710600
1AA9424	WHITE	473228	1B6389	STERL	418028	1D3561	LEYLD	472164	1F2023657U	MAZDA	710600
1AD9424	WHITE	450066	1B6391	STERL	417159	1D4321	CATER	412943	1F5477	CATER	471442
1AD9424	WHITE	473367	1B6574	FED	6186	1D4324	CATER	412943	1F5478	CATER	471255
1AG9424	SPICE	450183	1B7308	FED	471466	1D4326	CATER	415988	1F5479	CATER	470027
1AG9424	SPICE	472179	1B7493	NAPCO	412119	1D4327	CATER	416921	1F5479	CATER	471554
1AG9424	WHITE	450183	1B7493	NAPCO	450101	1D4901	CATER	412119	1F5480	CATER	471570
1AG9424	WHITE	472179	1B936	CATER	415001	1D4901	CATER	450101	1F5482	CATER	470045
1AK9424	WHITE	450117	1B936	CATER	455001	1D5567	CATER	470027	1F5482	CATER	476838
1AK9424	WHITE	472572	1B9919	CATER	471466	1D5567	CATER	471554	1F5483	CATER	472287
1AN9424	WHITE	450083	1B9919	WESTR	471549	1D5568	CATER	471750	1F5484	CATER	470077
1AN9424	WHITE	472924	1BA9424	WHITE	415449	1D5973	CATER	450065	1F5484	CATER	474281
1AR9424	WHITE	472015	1BA9424	WHITE	455147	1DA9424	WHITE	416167	1F5485	CATER	415458
1AU9424	WHITE	411253	1BA9425	WHITE	475009N	1DA9424	WHITE	455091	1F5485	CATER	455003
1AU9424	WHITE	450099	1BB9425	WHITE	415147	1DD9424	WHITE	471765	1F5514	CATER	40059S
1AV9424	WHITE	450316	1BB9425	WHITE	415449	1DE9424	WHITE	471354	1F5692	CATER	472705
1AV9424	WHITE	472636	1BG9424	WHITE	417316	1DG9424	WHITE	472144	1F5Z6701AA	FORD	228411
1AX9425	WHITE	416271	1BG9424	WHITE	455004	1DK9424	WHITE	455336	1F636	CATER	416107
1B1057	CATER	411253	1BH9425	WHITE	475009N	1DN9424	WHITE	473225	1F636	CATER	455073
1B1057	CATER	450099	1BJ9424	WHITE	415960	1E0610602	MAZDA	711002	1F7891	CATER	470219
1B1064	CATER	415960	1BJ9424	WHITE	455009	1E0627238A	MAZDA	710798	1F7891	CATER	471649
1B1064	CATER	455009	1BJ9425	WHITE	417344	1E0710602	MAZDA	713087	1F8210602	MAZDA	473560N
1B1065	CATER	415023	1BK9424	WHITE	416404	1E0810602	MAZDA	713087	1F880	CATER	416865
1B1069	CATER	450593	1BK9425	WHITE	417344	1E104	DIA	46997S	1F880	CATER	455070
1B1072	CATER	450043	1BN9424	WHITE	417487	1E105	DIA	472144	1G9424	WHITE	470027
1B1072	CATER	473419	1BN9424	WHITE	455014	1E1087	OLIVE	470169	1G9424	WHITE	471554
1B1443	OLIVE	455434	1BR9424	WHITE	416011	1E1087	OLIVE	473214	1H1036	CATER	341022
1B1477	FED	412119	1BR9424	WHITE	417621	1E1110	OLIVE	410987	1H1110	OLIVE	450316
1B1477	FED	450101	1BR9425	WHITE	417171	1E1110	OLIVE	450103	1H1110	OLIVE	472636
1B1785	CATER	415034	1BS9424	SPICE	417171	1E1410602	MAZDA	711002	1H2265	CATER	470351
1B1785	CATER	455034	1BS9424	WHITE	417171	1E1443	OLIVE	471138	1H2265	CATER	471504
1B2245	CATER	450076	1BV9424	WHITE	417181	1E1569	OLIVE	412871	1H2439	CATER	415995
1B2245	CATER	470334	1BW9424	WHITE	415023	1E1569	OLIVE	450329	1H2439	CATER	455013
1B2256	CATER	413469	1C101118	BORGW	470950	1E1582	OLIVE	470565	1H275	OLIVE	6863S
1B2257	CATER	450078	1C101118	BORGW	6241S	1E1588	OLIVE	451817	1H3275	MG	471835
1B2257	CATER	473444	1C108	NOVO	450593	1E1590	OLIVE	351267	1H4439	CATER	240356
1B2258	CATER	450066	1C241190BA	FORD	710625	1E1590	OLIVE	471267	1H4663	CATER	470565
1B2258	CATER	473367	1C2Z1175BA	FORD	710625	1E174	DIA	5827	1H5959	CATER	473016
1B2346	CATER	470059	1C2Z1S175BA	FORD	710625	1E267	ALLCH	455008	1H5959	WESTR	473016
1B2346	CATER	470380	1C2Z4676AA	FORD	100715V	1E3377	OLIVE	450389	1H790	CATER	415035
1B2418	CATER	450083	1C343N296AA	FORD	710482	1E3377	OLIVE	472492	1H8371	CATER	471192
1B2418	CATER	472924	1C343N296BA	FORD	100712V	1E3512	OLIVE	240009	1J2150	CATER	415991
1B2418	WESTR	450083	1C344676AA	FORD	710577	1E575	OLIVE	240731	1J2150	CATER	455146
1B2418	WESTR	472924	1C3Z4676AA	FORD	710577	1E620	OLIVE	472299	1J2258	CATER	416666
1B2477	CATER	416125	1C3Z4L616AA	FORD	100712V	1E693	OLIVE	450298	1J2381	CATER	471281
1B2729	CATER	450085	1C3Z4L616AA	FORD	710482	1E693	OLIVE	473239	1J2382	CATER	470712
1B2729	CATER	470530	1C3Z4L616BA	FORD	100712V	1E930	OLIVE	340120	1J4034	CATER	415027
1B4868	CATER	415025	1CA60536	FWD	450185	1EX14398	ALLCH	455200N	1J4034	CATER	415027H
1B5756	STERL	415960	1CA60536	FWD	473229	1EX22579	ALLCH	417191	1J4220	CATER	415295
1B5756	STERL	455009	1CAA9424	WHITE	415302	1EX22580	ALLCH	J1123	1J4240	CATER	415295
1B5934	STERL	470059	1CD9424	WHITE	417501	1EX24199	ALLCH	471760	1J4587	CATER	470895
1B5934	STERL	470380	1CG9424	WHITE	416339	1EX26327	ALLCH	450389	1J7063	CATER	415138
1B5990	CATER	470088	1CG9424	WHITE	455031	1EX26327	ALLCH	472492	1J8388	CATER	410312N
1B5997	CATER	471354	1CR9424	WHITE	412943	1F0636	CATER	416107	1JG7	KEN	475009N

INTERCHANGE SECTION

COMPETITIVE INTERCHANGES



Mfr No.	Mfr.	National	Mfr No.	Mfr.	National	Mfr No.	Mfr.	National	Mfr No.	Mfr.	National
1K0126154	MAZDA	710080	1M1110	OLIVE	415458	1R9424	WHITE	470045	1X2412	FMC	415389
1K0126157	MAZDA	710081	1M1110	OLIVE	455003	1R9424	WHITE	476838	1X2446	FMC	415035
1K0226154	MAZDA	710080	1M1460	HU-WR	470351	1S1115	CATER	473235	1X2446	FMC	455035
1K1110	OLIVE	470163	1M1460	HU-WR	471504	1S1164	CATER	3893V	1X2446	LK-BT	415035
1K1110	OLIVE	471766	1M7657	FORD	410059	1S1369	CATER	456462	1X2446	LK-BT	455035
1K1443	OLIVE	416921	1M7657	FORD	470380	1S6543	CATER	475380N	1X25215	IH	416865
1K1443	OLIVE	455011	1M77334	FORD	471869	1S7G6700AA	FORD	223750	1X2527	FMC	340469
1K1582	OLIVE	323138	1M77334	FORD	473459	1S7G6700AC	FORD	223750	1X2527	LK-BT	340469
1K1588	OLIVE	410496	1N0019241	MAZDA	710442	1S7G6A321AA	FORD	710600	1X2570	FMC	412920
1K1590	OLIVE	471192	1N0019442	MAZDA	225210	1S7Z6K301AA	FORD	710600	1X2570	FMC	450132
1K2053	OLIVE	40395	1N0033064	MAZDA	710125	1S7Z6700AA	FORD	223750	1X2570	LK-BT	412920
1K2053	OLIVE	40395S	1N0033066	MAZDA	710127	1S7Z6K301BA	FORD	710600	1X2570	LK-BT	450132
1K2212	OLIVE	340413	1N0117155	MAZDA	710316	1S8814	CATER	415899N	1X2571	LK-BT	470169
1K4713	CATER	413478	1N0119224	MAZDA	710132	1S8814	CATER	416624N	1X2571	LK-BT	473214
1K620	OLIVE	472439	1N0119241	MAZDA	710442	1SK9424	WHITE	450117	1X2578	FMC	410312N
1K693	OLIVE	455079	1N0133064	MAZDA	710125	1SK9424	WHITE	472572	1X2578	LK-BT	410312N
1K6983	CATER	450307	1N0133066	MAZDA	710127	1SPC22	NOVO	471255	1X2666	FMC	417262
1K73186	MURRA	416664	1N0217344	MAZDA	710680	1T0467	CATER	710022	1X2666	FMC	455448
1K73186	MURRA	455364	1N0233064	MAZDA	710125	1T1366	CATER	415013N	1X2666	LK-BT	417262
1K752A	OLIVE	471571	1N0233066	MAZDA	710127	1T1366	CATER	415995V	1X2666	LK-BT	455448
1K7983	CATER	472924	1N0317343	MAZDA	710666	1T467	CATER	710022	1X2671	FMC	417357
1K9424	SPICE	471570	1N0411312	MAZDA	228410	1T9424	WHITE	470712	1X2671	FMC	455192
1K9424	WHITE	471570	1N0414313	MAZDA	225005	1U319	ULRIC	450400	1X2671	LK-BT	417357
1L1110	OLIVE	416271	1N0419442	MAZDA	225210	1W6974	CATER	39894	1X2671	LK-BT	455192
1L1443	OLIVE	410312N	1N0511312	MAZDA	228410	1W6977	CATER	39893	1X2738	LK-BT	415995
1L2094	CATER	472658	1N0519224	MAZDA	710632	1WB7	OSHKO	416071	1X2738	LK-BT	455013
1L2094	CATER	473197	1N0526036	MAZDA	710108	1X1137	FMC	415991	1X2833	LK-BT	415187
1L247052AA	FORD	710403	1N0619224	MAZDA	710633	1X1137	FMC	455146	1X2834	LK-BT	415066
1L247052BA	FORD	4765	1N0719224	MAZDA	710634	1X1137	LK-BT	415991	1X2943	LK-BT	417551
1L247052EA	FORD	223535	1N0919224	MAZDA	224026	1X1137	LK-BT	455146	1X2944	FMC	J1138
1L247052GA	FORD	223012	1N1011312	MAZDA	228410	1X1138	FMC	416888	1X2944	LK-BT	J1138
1L247B215EA	FORD	710403	1N1119224	MAZDA	710132	1X1138	FMC	455200	1X2956	FMC	J1136
1L247B215HA	FORD	3946	1N1219224	MAZDA	710632	1X1138	LK-BT	416888	1X2956	LK-BT	J1136
1L2P7052BA	FORD	4765	1N1319224	MAZDA	710633	1X1138	LK-BT	455200	1X2967	FMC	415074
1L2W4B416AA	FORD	100537	1N9424	WHITE	450593	1X1461	FMC	417238	1X3193	FMC	J1128
1L2Z7052AA	FORD	710403	1P003008	BORGW	450069	1X1461	LK-BT	417238	1X3193	LK-BT	J1128
1L2Z7052BA	FORD	4765	1P003008	BORGW	473232	1X1484	FMC	455117	1X3230	FMC	417255
1L2Z7052EA	FORD	223535	1P5387	CATER	455079	1X1501	FMC	415187	1X3230	LK-BT	417255
1L2Z7052GA	FORD	223012	1P7657	FORD	7692S	1X1666	FMC	455584	1X3231	LK-BT	J1278
1L2Z7B215EA	FORD	710403	1P7657A	BORGW	410059	1X1666	LK-BT	455584	1X3235	FMC	417357
1L2Z7B215HA	FORD	710664	1P7657A	BORGW	470380	1X1743	FMC	415294	1X3235	LK-BT	417357
1L2Z4B416AA	FORD	100537	1P7657A	FORD	410059	1X1743	FMC	455294	1X3235	LK-BT	455192
1L3W4676AB	FORD	4278	1P7657A	FORD	470380	1X1743	LK-BT	415294	1X3236	FMC	417551
1L3W4676AC	FORD	4278	1P7657A3	FORD	410059	1X1743	LK-BT	455294	1X3236	LK-BT	417551
1L3W4674AA	FORD	4278	1P7657A3	FORD	470380	1X1841	FMC	415379	1X3295	FMC	417556
1L3Z4676A	FORD	4278	1P77288A	FORD	240816	1X1841	FMC	455379	1X3327	FMC	J1124
1L3Z4676B	FORD	4278	1P77288B	FORD	7929S	1X1841	LK-BT	415379	1X3329	FMC	J1125
1L3Z4676C	FORD	4278	1P77837	FORD	6988H	1X1841	LK-BT	455379	1X3330	FMC	J1118
1L4776	CATER	470625	1P77837A	FORD	6988H	1X1843	FMC	450365	1X3330	LK-BT	J1118
1L4777	CATER	471344	1P77837B	FORD	6988H	1X1843	FMC	470898	1X3337	FMC	55563
1L547052CA	FORD	223014	1P77837B3	FORD	6988H	1X1843	LK-BT	450365	1X3337	LK-BT	55563
1L5Z7052CA	FORD	223014	1P77837B4	FORD	6988H	1X1843	LK-BT	470898	1X3338	FMC	417541
1L620	OLIVE	450154	1PS396	C-P	473225	1X1861	FMC	417495	1X3338	LK-BT	417541
1L620	OLIVE	473234	1QFL330	MACK	370019A	1X1861	LK-BT	417495	1X3345	FMC	417512
1L620B	OLIVE	470189	1R124110262	ASTON	710426	1X1865	LK-BT	415449	1X3353	FMC	J1122
1L620B	OLIVE	471692	1R124110525	ASTON	7412S	1X1990	FMC	417357	1X3353	LK-BT	J1122
1L693	OLIVE	412943	1R337052AA	FORD	7412S	1X2066	FMC	415138	1X3360	LETN	415449
1L7204	CATER	415086N	1R337052CA	FORD	710431	1X2098	FMC	417171	1X3363	FMC	450067
1L7204	CATER	417487	1R3Z7052AA	FORD	7412S	1X2354	FMC	417298	1X3363	FMC	473228
1L9349	CATER	416229	1R3Z7052CA	FORD	710431	1X2354	LK-BT	417298	1X3389	FMC	416239

INTERCHANGE SECTION

COMPETITIVE INTERCHANGES

Mfr No.	Mfr.	National	Mfr No.	Mfr.	National	Mfr No.	Mfr.	National	Mfr No.	Mfr.	National
1X3422	FMC	416865	2A6475	BENDI	417316	2000M13	MERIX	5408	20018	ALLCH	471766
1X3423	FMC	455330	2C211	HWY	417556	2000M13	ROCKW	5408	20018	C-R	710555
1X3424	FMC	J1141	2J227	NOVO	450043	2001	SEAMA	473473	20018	FAIRB	470163
1X3446	FMC	415072	2J227	NOVO	473419	20010	C-R	710651	20018	FAIRB	471766
1X3461	FMC	417600	2JG10	KEN	410102	20010	SKF	710651	20018	MINMA	470163
1X3541	FMC	415379	2JG13	KEN	470358	20010004	TROS	471760	20018	MINMA	471766
1X3541	FMC	455379	2JG13	KEN	473231	20010007	TROS	471760	20018	SKF	710555
1X3554	FMC	J1134	2JG15	KEN	410496	20010805	TROS	471763	20018317	CORTE	223801
1X3589	FMC	417191	2JG16	KEN	370036A	20010807	TROS	471763	20018317B	CORTE	223801
1X3589	FMC	455165	2JG17	KEN	415137	200110	TIMKE	200110	2001888	SPICE	370018A
1X3591	FMC	J1123	2JG17	KEN	418028	200111	KOHL	471760	20019549	CORTE	716484
1X3686	FMC	416892	2JG2	KEN	5401	200112	KOHL	470120	20019549B	CORTE	716484
1X3693	FMC	416865	2JG21	KEN	410101N	200112	KOHL	471224	20019557	CORTE	710759
1X3810	FMC	455191	2JG22	KEN	410085	20011204	TROS	40162S	20019557B	CORTE	710759
1X3820	FMC	416476	2JG22	KEN	470530	20011207	TROS	471765	200196	ALLCH	450066
1X3966	FMC	J1131	2JG23	KEN	410183N	20011244	CORTE	1108	200196	ALLCH	473367
1X3967	FMC	415074	2JG24	KEN	6270	20011244B	CORTE	1108	2002	TIMKE	2002
1X4027	FMC	455396	2JG27	KEN	6635S	20011604	TROS	471766	20020383	CORTE	710617
1X4280	FMC	415128	2JG28	KEN	415138	2001160475	TROS	200338	20020383B	CORTE	710617
1X4395	FMC	J1127	2JG3	KEN	5403	20011605	TROS	471766	20020389	CORTE	224200
1X4396	FMC	415697	2JG30	KEN	417262	20011606	TROS	471766	20020389B	CORTE	224200
1X4396	FMC	455547	2JG30	KEN	455448	20011607	TROS	470163	200203A	CROSL	6545
1X4411	FMC	417546	2JG31	KEN	6872S	20011607	TROS	471766	20020461	CORTE	223005
1X4427	FMC	416154	2JG33	KEN	415281N	20011608	TROS	410163	20020461B	CORTE	223005
1X4429	FMC	J1126	2JG34	KEN	35949N	20011608	TROS	471766	20020462	CORTE	225530
1X4461	FMC	416339	2JG37	KEN	450316	20011610	TROS	470163	20020462B	CORTE	225530
1X4556	FMC	J1140	2JG37	KEN	472636	20011610	TROS	471766	20020463	CORTE	222820
1X4889	FMC	417600	2JG38	KEN	476283N	20012	C-R	471762	20020463B	CORTE	222820
1X5446	FMC	415449	2JG7	KEN	5408	20012	C-R	710437	2002245	GMC	473243
1X5448	FMC	416892	2SPC22	NOVO	471763	20012	GOODM	471762	200234T	BR-WN	417344
1X5475X	FMC	416865	25F990	MERIX	410312N	20012	SKF	471762	200234T	BR-WN	455006
1X5589	FMC	417551	25F990	ROCKW	410312N	20012	SKF	710437	200236	EATON	416444
1X5603	FMC	481537	20P68	MINNM	204002	20012005	TROS	473210	20024	C-R	710842
1X5695	FMC	415551	200	MERIX	5401	20012005C	TROS	473210	20024	SKF	710842
1X5703	FMC	416229	200	ROCKW	5401	20012006	TROS	473210	200256	EATON	8611N
1X5703P	FMC	416229	200	UNIVE	450301	20012405	TROS	472258	20026265	CORTE	710580
1X5718X	FMC	417571	200	UNIVE	472397	2001240525	TROS	472258	20026265B	CORTE	710580
1X5785	FMC	470898	200000A	CASE	455189	200124055	TROS	5872S	20026342	CORTE	231003
1X5832P	FMC	417364	200000A	HERCU	455189	20012406	TROS	472258	20026342B	CORTE	231003
1X5872P	FMC	415371	200000B	HERCU	455189	20012407	TROS	472258	20026412	CORTE	710618
1X5924P	FMC	415150	200005793	WHITE	417254	200129	WILYS	416738	20026412B	CORTE	710618
1X6880	FMC	471271V	20001	C-R	710265	200129	WILYS	450096	20026532	CORTE	710289
1X9424	WHITE	471192	20001	SKF	710265	20012K	GOODM	471762	20026532B	CORTE	710289
20053	SKF	473463	20003	LEECE	416738	200132035	TROS	240319	20026695	CORTE	710788
20054	SKF	473463	20003	LEECE	450096	20013204	TROS	481163	20026695B	CORTE	710788
21400	SKF	8312	200038	CUMMI	470567N	200133	CLARK	340120	20026696	CORTE	710790
215100200	LAMBO	224052	200039	CUMMI	471272N	200133	TIMKE	200133	20026696B	CORTE	710790
215103260	LAMBO	239146	20004	C-R	450301	20013LPD	JN-MN	415043	20027	C-R	710112
2380112200	HINO	225875	20004	C-R	472397	20014	C-R	710788	20027	SKF	710112
2380112210	HINO	225875	20004	LEECE	473225	20014	SKF	710788	200275	MICH	450389
2445662300	HINO	710371	20004	SKF	450301	2001552	C-R	710586	200275	MICH	472492
2445662400	HINO	710371	20004	SKF	472397	200155M1	MASSE	450083	200283	EATON	8660S
2455680400	HINO	717004	20005	C-R	472397	200155M1	MASSE	472924	200287	MICH	450083
2455680410	HINO	717004	20005	SKF	472397	20016	C-R	710640	200287	MICH	472924
2455680420	HINO	717004	20005606	TROS	470645	20016	SKF	710640	200287	UNIVE	450083
24800	SKF	1935	20006	C-R	40301S	200164M1	MASSE	473238	200287	UNIVE	472924
268630058	OWS	340817	20006	SKF	40301S	200166M1	MASSE	471750	200287DSL	MICH	472924
268630481	OWS	415379	200069	CUMMI	J1111	20017035	CORTE	223230	20029117	CORTE	710849
268630515	OWS	415035	20008	C-R	710593	20017035B	CORTE	223230	20029117B	CORTE	710849
268630515	OWS	455035	20008	SKF	710593	20018	ALLCH	470163	200294	EATON	410520

INTERCHANGE SECTION

COMPETITIVE INTERCHANGES



Mfr No.	Mfr.	National	Mfr No.	Mfr.	National	Mfr No.	Mfr.	National	Mfr No.	Mfr.	National
200294	EATON	471272	200340B	HOUGH	45637S	20059	SKF	473463	20098	SKF	450095
2002974	SPICE	714675	20034275	CORTE	710600	2005932	SPICE	710701	20098	SKF	473464
200299	UNIVE	450085	20034275B	CORTE	710600	200598	KOHL	340469	2009802	SPICE	100712V
200299	UNIVE	470530	20034288	CORTE	710789	20060	GARLK	471442	200996	CLARK	470219
2003	FMS	2003N	20034288B	CORTE	710789	200600	TIMKE	200600	200996	CLARK	471649
200300	MICH	450085	20034737	CORTE	710279	20060024	DURA	473236	200997	ALLCH	411253
200300	MICH	470530	20034737B	CORTE	710279	2006082	GMC	415991	200997	ALLCH	450099
200300	UNIVE	450301	20034738	CORTE	710761	2006082	GMC	455146	200A11204	TROS	40576S
200300	UNIVE	472397	20034738B	CORTE	710761	2006216	EATON	415009N	200A11205	TROS	40576S
200300HSL	MICH	450085	20034739	CORTE	225530	200640	TIMKE	200640	200W12	IH	471762
200300HSL	MICH	470530	20034739B	CORTE	225530	200640S	TIMKE	200640	201	C-R	5118
200300ISL	MICH	410085	20034744	CORTE	710759	200641	TIMKE	200641	201	SKF	5118
200300ISL	MICH	470530	20034744B	CORTE	710759	200642	TIMKE	200642	201	UNIVE	450311
200300LSL	MICH	410085	200348	HARRI	480630	2006512	GMC	370034A	20100	C-R	473464
200300LSL	MICH	470530	20035	FMC	410102	2006522	EATON	415938	20100	SKF	473464
200301	MICH	450301	20035182	CORTE	710822	2006523	GMC	3143N	2010071	GMC	410496
200301	MICH	472397	20035182B	CORTE	710822	20067	C-R	710732	201010A	TW-DI	415437
20030144	CORTE	710812	200354	TIMKE	200354	20067	SKF	710732	2010451	GMC	485364N
20030144B	CORTE	710812	20035843	CORTE	710449	2007	FMS	2007N	20108D	IH	473215
200303SA	TRSCM	450301	20035843B	CORTE	710449	20070	C-R	473242	20109	C-R	412027
200306	MICH	473463	20035911	CORTE	231004	20070	SKF	473242	20109	SKF	412027
200306	UNIVE	473463	20035911B	CORTE	231004	20072	GARLK	471526	2011	UNIVE	450291
200307	CUMMI	39835	20036307	CORTE	229010	200752	TIMKE	200752	2011	UNIVE	471141
200307	CUMMI	5133	20036307B	CORTE	229010	200757H1	IH	473010N	2011035	WOOL	417267
20031	C-R	3404	200371	TIMKE	200371	200763	TIMKE	200763	20112	MICH	471466
20031	SKF	3404	2003712	GMC	416167	20078	C-R	412725	20112	UNIVE	471466
20031171	CORTE	710279	2003712	GMC	455091	20078	SKF	412725	201140R91	IH	415351
20031171B	CORTE	710279	2003754	GWJ	471267	20079	C-R	412725	2011488	GMC	473010N
2003119	GMC	482041N	200378	WILYS	42763	20079	SKF	412725	20118	C-R	8139
200312	UNIVE	473242	20038	C-R	1993	2007N	TIMKE	2007N	20118	SKF	8139
200313	MICH	473242	20038	SKF	1993	20081	GARLK	471472	2011840	SPICE	710577
20031720	CORTE	710799	200392	TIMKE	200392	200851	TIMKE	200851	201197	WILYS	240151
20031720B	CORTE	710799	2003N	TIMKE	2003N	200854	TIMKE	200854	2011S	TIMKE	2011
200318	UNIVE	450095	2003RC	SUL	416888	200855	TIMKE	200855	2012	FMS	2012V
200318	UNIVE	473464	2003RC	SUL	455200	200855S	TIMKE	200855	2012	SEAMA	455144
200319	MICH	450095	200420	WILYS	5778	200859	TIMKE	200859	201204R91	IH	412871
200319	MICH	473464	20043	SIDEW	470380	200861	TIMKE	200861	201204R91	IH	450329
20031906	CORTE	710813	20044	C-R	204508	200865	TIMKE	200865	20124	C-R	410102
20031906B	CORTE	710813	20044	C-R	473463	200870	TIMKE	200870	20124	SKF	410102
200322	TIMKE	200322	20044	SKF	204508	2008723	GMC	370001A	2012455	GMC	3136N
200325	UNIVE	412027	20044	SKF	473463	200881	TIMKE	200881	20125	C-R	410102
20032LUP	JN-MN	416125	200446	HYST	410825	200885	TIMKE	200885	20125	SKF	410102
20033462	CORTE	710848	200447	HYST	475009N	200886	TIMKE	200886	20127	C-R	410102
20033462B	CORTE	710848	20045	C-R	473463	200886S	TIMKE	200886	20127	SKF	410102
20033483	CORTE	3772	20045	SKF	473463	200887	TIMKE	200887	2012V	TIMKE	2012V
20033483B	CORTE	3772	2004670	SPICE	710741	200897SSL	MICH	6163S	2013	NATL	1012N
200334M1	MASSE	417316	200490	HYST	415854	200903	WILYS	340797	201311	WILYS	8160S
200334M1	MASSE	455004	2004958	SPICE	100712V	2009496	GR-DV	J1123	2013300151	MERCE	239155
200337	MICH	410102	20050	SPICE	370036A	2009497	GR-DV	416294	20137	MICH	471255
200338	TIMKE	200338	20050	SPICE	370349A	2009633	GR-DV	416239	20137	UNIVE	471255
20033872	CORTE	711007	20050	SPICE	380036A	2009750	GR-DV	415004	201377	GWJ	471567
20033872B	CORTE	711007	20051258	DURA	471763	2009750	GR-DV	417316	20140	C-R	455253
20033889	CORTE	710786	20053	C-R	473463	2009751	GR-DV	417343	20140	SKF	455253
20033889B	CORTE	710786	200539	HARRI	472658	2009752	GR-DV	417172	201400	MECH	370124A
20033890	CORTE	710785	200539	HARRI	473197	2009753	GR-DV	417366	201412	BENDI	471267H
20033890B	CORTE	710785	20054	C-R	473463	2009755	GR-DV	416288	201412	BENDI	471267V
200339	TIMKE	200339	200544	HARRI	417502	2009756	GR-DV	J1130	2014181	GMC	450070
20033979	CORTE	710811	20055	C-R	473463	2009757	GR-DV	J1127	2014181	GMC	472185
20033979B	CORTE	710811	20055	SKF	473463	20098	C-R	450095	20144	C-R	487945
200340B	HERCU	45637S	20059	C-R	473463	20098	C-R	473464	20144	SKF	487945

INTERCHANGE SECTION

COMPETITIVE INTERCHANGES

Mfr No.	Mfr.	National	Mfr No.	Mfr.	National	Mfr No.	Mfr.	National	Mfr No.	Mfr.	National
20146	C-R	410102	20213	GARLK	471264	20263TB	TRSCM	471424	203006S	TIMKE	203006
20146	C-R	410972N	20215	C-R	5695	20263VTB	TRSCM	471424V	203008	TIMKE	203008
20146	C-R	5188	20215	SKF	5695	202683SB	TRSCM	471833	203012	TIMKE	203012
20146	SKF	410102	20216	C-R	710173	2026943	GMC	370121A	2030123	GMC	417507
20146	SKF	410972N	20216	SKF	710173	2026OS	JN-MN	450183	203013	TIMKE	203013
20146	SKF	5188	202170	KEN	415077	2026OS	JN-MN	472179	2030133	GMC	417171
2014686	HENRY	40401	202170	PACIF	415077	2027	TIMKE	2027	203015	TIMKE	203015
20148	C-R	204506	202173	CROSL	470059	202700M1	MASSE	473453	203016	TIMKE	203016
20148	C-R	487945	202173	CROSL	470380	202713TB	TRSCM	450446	203020	TIMKE	203020
20148	SKF	204506	2021809	GMC	370006A	202713TB	TRSCM	470543	203025	TIMKE	203025
20148	SKF	487945	202210	WAYNE	416149	20271VB	TRSCM	5865	203029	TIMKE	203029
2014835	SPICE	710701	202211	HERCU	417535	2027348	GMC	473245	203029M1	MASSE	415458
201495	BORGW	240009	202229	CROSL	470358	20273SSZ	TRSCM	331107N	203029M1	MASSE	455003
201495	JEFF	472439	202229	CROSL	473231	20273TB	TRSCM	472492	20302VAY	TRSCM	40301S
20158	C-R	55524	20225	C-R	710323	202752VHY	TRSCM	40389S	203034	TIMKE	203034
20158	SKF	55524	20225	GARLK	471255	202764	CROSL	470059	203038M1	MASSE	414045
2016	TIMKE	2016	20225	SKF	710323	202764	CROSL	470380	20303TB	TRSCM	472397
2016169	GMC	370001A	202287	MICH	451948	202784	FORD	7381S	2030463	SEAMA	450519
2016169	GMC	380001A	202287	UNIVE	451948	202798M1	MASSE	470059	2030463	SEAMA	471271
20168	C-R	5329	202299	UNIVE	473466	202798M1	MASSE	470380	2030600	GMC	450467
20168	SKF	5329	202300	MICH	473466	2027D	GOODM	470605	203063TB	TRSCM	473463
2016938	EATON	455186	202300	UNIVE	472012	202801M1	MASSE	472439	2030838	SEAMA	415281N
201693800	EATON	455186	202301	MICH	472012	20281	VICK	473447	2030897	GW	471554
2017341	GMC	50327	202306	MICH	450307	20282VHY	TRSCM	200339	2030D	GOODM	455079
2017426	SPICE	710685	202306	UNIVE	450307	20283TA	TRSCM	450083	2030LD	OSHKO	471689
2017948	EATON	450082	202308	FORD	470189	20284SA	TRSCM	472653	2031	ALOY	7038SA
2017948	EATON	473238	202308	FORD	471692	2028516	GMC	482415	203100	CUMMI	471795N
201794800	EATON	473238	202312	UNIVE	450311	202852	WILYS	474278	203101	CUMMI	473010N
201799R91	IH	470898	202313	MICH	450311	202852	WILYS	480356	2031059	GMC	370024A
2017OS	JN-MN	415150	202318	UNIVE	416738	202883TB	TRSCM	472082	20313TB	TRSCM	473242
2018206	Y-T	455330	202318	UNIVE	450096	20289D	IH	450069	2031437	GMC	472394
201820600	EATON	455330	202319	MICH	416738	20289D	IH	473232	2031437	MCKIN	472394
2019	SEAMA	473227	202319	MICH	450096	2028D	GOODM	415449	2031438	GMC	410312N
2019130	EATON	415001	20232	VICK	470077	2028D	GOODM	455147	2031438	MCKIN	410312N
2019130	EATON	455001	20232	VICK	474281	20290D	IH	450082	203153	BENDI	450066
201933R91	IH	473463	202325	MICH	450313	20290D	IH	473238	203153	BENDI	473367
2019766	EATON	450084	202325	UNIVE	450313	20292VBJ	TRSCM	8139	203153	DIA	450066
201VB7	MARI	412920	202331	FORD	470358	2029409	GMC	370023A	203153	DIA	473367
201VB7	MARI	450132	202331	FORD	473231	2029409	GMC	380023A	203153	GMC	450066
202	MERIX	5403	20237	GARLK	471564	202951	CUMMI	471763	203153	GMC	473367
202	ROCKW	5403	202400	MECH	370124A	202964	CUMMI	471795	203153	KEN	450066
202	UNIVE	410312N	202405C91	IH	415303	202967	CUMMI	472164	203153	KEN	473367
2020	SEAMA	471267	2024226	GMC	100494	202973	CUMMI	5026	203153TA	TRSCM	412725
20201	GARLK	471466	2024226	GMC	416470N	202974	CUMMI	J1141	203166	BENDI	450065
20205	C-R	494123	2024331	GMC	411253	202993TA	TRSCM	410085	2031765	GMC	415137
20205	SKF	494123	2024331	GMC	450099	202A402	GE	351487	2031765	GMC	418028
202098	FMC	416149	2025	TIMKE	2025	202VB7	MARI	412119	2031767	GMC	415001
2020985	GMC	471466	202503	MC-CL	471633	202VB7	MARI	450101	2031768	GMC	417159
2020997	GMC	470548	202521	Y-T	450066	203	SEAMA	417542	2031949	GMC	473211
2020997	GMC	470625	202521	Y-T	473367	203	UNIVE	473245	2032	SEAMA	470059
20210	C-R	225110	20252SC	TRSCM	352541	2033300060	MERCE	710764	2032	SEAMA	470380
20210	SKF	225110	20252VB	TRSCM	40401	203408	ELRNG	223010	2032362	GMC	370012A
202104	ALLCH	5M403	202562VB	TRSCM	8871	203000	MECH	370001A	20324TA	TRSCM	412027
202108M1	MASSE	471870	202565VB	TRSCM	9015S	203000	MECH	380001A	203277M1	MASSE	470027
202108M1	MASSE	471883	2025OS	JN-MN	450143	203002	TIMKE	203002	203277M1	MASSE	471554
202109M1	MASSE	470163	202602	ALLCH	450094	203003	TIMKE	203003	2033	SEAMA	471424
202109M1	MASSE	471766	202602	ALLCH	473462	203004	NATL	203003	20334TA	TRSCM	410102
20211106	TROS	451182	202622VB	TRSCM	9406S	203005	NATL	205005	2033618	GW	470954
202115	MIHLE	415090	20262KBJ	TRSCM	4148	203005	TIMKE	203005	2033900	GW	471567
20212X	SPICE	451948	202635SP	TRSCM	6090S	203005S	TIMKE	203005	2034	ALOY	8549S

INTERCHANGE SECTION

COMPETITIVE INTERCHANGES



Mfr No.	Mfr. National	Mfr No.	Mfr. National	Mfr No.	Mfr. National	Mfr No.	Mfr. National
203400	MECH 370001A	20393D	IH 450083	20417	SKF 710253	20437	C-R 225230
203400	MECH 380001A	20393D	IH 472924	2041807	GMC 476283N	20437	SKF 225230
2034220	GMC 370048A	204	C-R 5116	2042	ALOY 442874	20438	C-R 710722
2034220	GMC 370182A	204	SKF 5116	20420	C-R 1955	20438	SKF 710722
2034220	GMC 380048A	204	UNIVE 450316	20420	SKF 1955	204399	BENDI 450593
2034224	GMC 370012A	204	UNIVE 472636	20421	C-R 4990	20440	C-R 225230
2034225	GMC 370007A	2043300060	MERCE 710764	20421	SKF 4990	20440	SKF 225230
2034226	GMC 370066A	20400	C-R 4898	20424	C-R 710190	204400	MECH 370001A
2034230	GMC 370018A	20400	SKF 4898	20424	SKF 710190	204400	MECH 380001A
2034235	GMC 370019A	204002	TIMKE 204002	20425	C-R 3087	20444	C-R 225230
2034236	GMC 370012A	204005S	TIMKE 204005	20425	SKF 3087	20444	SKF 225230
2034237	GMC 370009A	204008	TIMKE 204008	20427	C-R 4990	2044444	GMC 340483
2034237	GMC 380009A	204013	TIMKE 204013	20427	GARLK 470954	2044445	GMC 471570
2034238	GMC 370008A	204017	TIMKE 204017	20427	SKF 4990	20445	C-R 225230
2034361	GMC 450068	204020	TIMKE 204020	204275SP	TRSCM 3087	20445	SKF 225230
2034942	GMC 370106A	204027	TIMKE 204027	20428	C-R 225220	2044531	GMC 40468
2035	SEAMA 417554	204029	TIMKE 204029	20428	C-R 4990	2044540	GMC 418028
2035091	GMC 415137	20403	C-R 225230	20428	C-R 710312	2044540	GMC 455137
2035091	GMC 418028	20403	SKF 225230	20428	SKF 225220	20446	C-R 5696
203524	BENDI 450085	204035	TIMKE 204035	20428	SKF 4990	20446	GARLK 471554
203524	BENDI 470530	204038	TIMKE 204038	20428	SKF 710312	20446	SKF 5696
203544TL	TRSCM 455253	204051	KEN 415876	20429	C-R 225275	20447	C-R 710230
20355	GMC 450352	204051	PACIF 415876	20429	SKF 225275	20447	SKF 710230
20355	GMC 472164	204075	NATL 204017	2042936	GMC 417171	20448	C-R 710527
2035506	GMC 370001A	20408	C-R 1955	204299	UNIVE 450115	20448	GARLK 471643
2035506	GMC 380001A	20408	SKF 1955	204299	UNIVE 473467	20448	SKF 710527
2035507	GMC 370005A	2040H7	JAE 470682	2043	ALOY 473445	204500	TIMKE 204500
203573	BENDI 470045	2040H24	JA-MI 415449	2043	ALOY 480479H	204501	TIMKE 204501
203573	BENDI 476838	2040H24	JA-MI 455147	2043	MINNM 205004	204502	TIMKE 204502
203573	WHITE 450066	2040H24	JAE 415449	2043	TIMKE 2043	204503	TIMKE 204503
203573	WHITE 473367	2040H24	JAE 455147	20430	C-R 225225	204505	NATL 204020
203581600	EATON 415371	2040H25	JA-MI 415995	20430	SKF 225225	204505	TIMKE 204505
20359	NEWPR 710046	2040H25	JA-MI 455013	204300	MICH 450115	204506	TIMKE 204506
20359	VICK 50528	2040H25	JAE 415995	204300	MICH 473467	204507	NATL 204029
20359D	IH 471466	2040H25	JAE 455013	204300	UNIVE 472015	204507	TIMKE 204507
2035SR	OSHKO 470059	2040H26	JA-MI 473205	204300SL	MICH 450115	204508	TIMKE 204508
2035SR	OSHKO 470380	2040H26	JAE 473205	204300SL	MICH 473467	204509	TIMKE 204509
2036108	GMC 470712	2040H7	JA-MI 470682	204301	MICH 472015	20455	C-R 4990
203718	STUDE 415001	2041	LUF 415035	204306	MICH 410308	20455	C-R 710292
203718	STUDE 455001	2041	LUF 455035	204306	MICH 450308	20455	SKF 4990
2037360	GMC 470059	20411043	STEM 370192A	204306	UNIVE 410308	20455	SKF 710292
2037360	GMC 470380	20410007	TROS 453165	204306	UNIVE 450308	204553	HARRI 416273
203746	BENDI 450039	20410007	TROS 471619	20431	C-R 4898	20456	VICK 450441
203746	GMC 450039	204102	CONTI 417196	20431	SKF 4898	20456	VICK 471341
2037474C1	NAVST 614837	20410807	TROS 471785	204312	UNIVE 410312N	20457	C-R 225225
2037485	GMC 471341N	20411207	TROS 471354	204313	MICH 410312N	20457	SKF 225225
2037489	GMC 470954	20411604	TROS 41787S	204318	UNIVE 450121	20458	GARLK 471567
203766	BENDI 471570	20411607	TROS 224045	204318	UNIVE 472409	20459	C-R 710558
203809	CINMI 417355	20412106	TROS 484054	204319	MICH 450121	20459	SKF 710558
2038244	GMC 370106A	20412406	TROS 472258	204319	MICH 472409	2045996	GMC 370066A
2038277	GMC 450066	20412407	TROS 470403	20432	C-R 710187	204611	CINMI 450301
2038277	GMC 473367	20412407	TROS 470774	20432	SKF 710187	204611	CINMI 472397
203838	CINMI 417171	20413204	TROS 6545	204325	MICH 473243	204614A	HERCU 473241
20383D	IH 450083	20413207	TROS 480630	204325	UNIVE 473243	204617	CINMI 414045
20383D	IH 472924	20413604	TROS 7994S	20433	C-R 1955	204621	BENDI 50327
203881	BENDI 471750	20413607	TROS 8421S	20433	SKF 1955	204621	DIA 50327
20388D	IH 450083	2041497	GMC 370012A	204335	MICH 413469	204621	IH 50327
20388D	IH 472924	204167H1	HOUGH 472636	204335	UNIVE 413469	20463	C-R 225230
2039149	GMC 370018A	204167H1	IH 472636	20434	C-R 225210	20463	FMC 473237
2039297	EATON 410867N	20417	C-R 710253	20434	SKF 225210	20463	SKF 225230

INTERCHANGE SECTION

COMPETITIVE INTERCHANGES

Mfr No.	Mfr.	National	Mfr No.	Mfr.	National	Mfr No.	Mfr.	National	Mfr No.	Mfr.	National
20465	C-R	710107	2051473	GMC	370022A	20596	C-R	2822V	206364TA	TRSCM	455260
20465	SKF	710107	2051473	GMC	380022A	20596	SKF	2822V	2064	TIMKE	2064
20466	C-R	710190	20520	C-R	484064V	2059756	GMC	450084	206400	MECH	370048A
20466	SKF	710190	20520	SKF	484064V	205976R91	IH	6988H	206400	MECH	370182A
20467	FMC	451078	205209A	TW-DI	416892	205987	ALLCH	450070	206400	MECH	380048A
20469	C-R	225010	205273	FREIG	5481	205987	ALLCH	472185	206426	ALLCH	473313
20469	SKF	225010	205282	CINMI	415697	205A12407	TROS	6760S	206428	CLARK	415001
2046991	GMC	475003N	205282	CINMI	455547	205B12306	TROS	51322	206428	CLARK	455001
2047	ALOY	7022S	20530	C-R	450118	205VB7	MARI	415458	20643	C-R	450307
2047159	GOODM	417316	20530	SKF	450118	205VB7	MARI	455003	20643	SKF	450307
2047159	GOODM	455004	205358A	HERCU	471538	206	CHEL	470120	2064489	GMC	370009A
2047175	GOODM	415995	20538	C-R	5877	206	CHEL	471224	2064489	GMC	380009A
2047175	GOODM	455013	20538	SKF	5877	2060012	CHRYS	455336	206449	ALLCH	450456
2047176	GOODM	417487	2054	SEAMA	470548	20603	CALSO	472636	206449	CLARK	416047
2047176	GOODM	455086	2054	SEAMA	470625	2060510	GMC	450867	206449	CLARK	416332
2047232	GOODM	417205	205400	MECH	370001A	2060510	GMC	470898	20644909	ALLCH	450456
2047260	GOODM	455195	205400	MECH	380001A	2060531	GMC	470219	206450	ALLCH	415001
2047260	GOODM	472157	20546	C-R	225220	2060531	GMC	471649	206450	ALLCH	455001
2047261	GOODM	455195	20546	SKF	225220	20607	C-R	710751	20645007	ALLCH	415001
2047261	GOODM	472157	2055	TIMKE	2055	20607	SKF	710751	2064731	GMC	370047A
2047277	GOODM	415138	20554	C-R	451948	206072	ALLCH	330385	2065078	TAYLR	417544
2047288	GOODM	417262	20554	SKF	451948	20608	C-R	6954S	2065080	OSHKO	370175A
2047288	GOODM	455448	20559	BR-WN	470059	20608	SKF	6954S	2065366	GMC	475009N
204731A	HERCU	471192	20559	BR-WN	470380	206086M1	MASSE	417134	2065367	GMC	411253
204746	FWD	8126S	20560	C-R	4162	206110	CLARK	472826	206538	ALLCH	471765
204771	BENDI	450025	20560	SKF	4162	206120	CLARK	470120	20653812	ALLCH	471765
204771	BENDI	471553	2056124	GMC	370024A	206120	CLARK	471224	206545	CLARK	450365
204839	HERCU	455197N	2056401	GMC	450291	20614K	CLARK	471785	206545	CLARK	470898
204839B	HERCU	455197N	2056401	GMC	471141	20616A	CONTI	471354	206546	CLARK	411253
2048471	GMC	415304	205705	CINMI	450316	20618	AT-PL	471787	206546	CLARK	450099
2048471	GMC	476470	205705	CINMI	472636	206204	CLARK	470169	206547	CLARK	412871
20488	GARLK	471643	205705A	HERCU	471267	206204	CLARK	473214	206547	CLARK	450329
20489	VICK	450025	205708	ALLCH	474278	206205	CLARK	450070	206548	CLARK	415483
20489	VICK	471553	205708	ALLCH	480356	206205	CLARK	472185	206548	CLARK	455368
2048D5	WHITE	475009N	2057128	GMC	472394	20621	VICK	412920	206550	CLARK	470712
2049	ALOY	7687S	205714	CINMI	415023	20621	VICK	450132	206552	CLARK	5872S
20493	VICK	450183	205737	CINMI	416404	206222	CLARK	471787	206553	CLARK	471192
20493	VICK	472179	205747	HERCU	455189	206228	SEAMA	416664	206554	CLARK	470064
204939	BENDI	471466	205747B	HERCU	455189	206228	SEAMA	455364	206554	CLARK	471821
204949	BENDI	470548	2057480	GMC	370003A	206233	SEAMA	470169	206556	CLARK	450867
204949	BENDI	470625	2057480	GMC	380003A	206233	SEAMA	473214	206556	CLARK	470898
204971	BENDI	471526	2057761	GMC	412473	206253VSB	TRSCM	484064V	206557	CLARK	450316
204E4248	FORD	470712	2057761	GMC	415894	206257	CLARK	471765	206557	CLARK	472636
204VB7	MARI	415001	20582	C-R	710744	2062667	GWJ	415234	206558	CLARK	450316
204VB7	MARI	455001	20582	SKF	710744	206273TL	TRSCM	450118	206558	CLARK	472636
205	C-R	5108	205821R91	IH	415697	2062844TL	TRSCM	5877	206559	CLARK	470712
205	SKF	5108	205821R91	IH	455547	206284SA	TRSCM	451948	206560	CLARK	470027
205004	TIMKE	205004	205822R91	IH	473473	20629	NORDG	471760	206560	CLARK	471554
205005	CONTI	471733	205823	OILGR	470027	206294TL	TRSCM	473446	206561	CLARK	470059
205005	TIMKE	205005	205823	OILGR	471554	2063037TB	TRSCM	472012	206561	CLARK	470380
20501	C-R	5685	2058459	GMC	471733	206303VB	TRSCM	6954S	206563	CLARK	471765
20501	SKF	5685	20586	C-R	473466	206306	UNIVE	473471	206564	CLARK	470163
205012	KOHL	470219	20586	SKF	473466	2063063TL	TRSCM	450307	206564	CLARK	471766
205012	KOHL	471649	2059264	GMC	415836	206312	UNIVE	472020	206565	CLARK	450444
205015	TIMKE	205015	2059264	GMC	415995	206318	UNIVE	470354	206565	CLARK	471835
205017	TIMKE	205017	20594	C-R	472012	2063192	GMC	450040	206566	CLARK	417267
205020	NATL	204020	20594	SKF	472012	206325	MICH	473245	206569	CLARK	40395
205020	NATL	204505	2059474	GMC	417196	206325	UNIVE	473245	206569	CLARK	40395S
205035	TIMKE	205035	205952	ALLCH	470027	206335	MICH	412943	206570	CLARK	470898
205044	TIMKE	205044	205952	ALLCH	471554	206335	UNIVE	412943	206571	CLARK	471141

INTERCHANGE SECTION

COMPETITIVE INTERCHANGES



Mfr No.	Mfr. National	Mfr No.	Mfr. National	Mfr No.	Mfr. National	Mfr No.	Mfr. National
206572	CLARK 470898	20674	C-R 200110	2071215	GMC 3905	2076549	GMC 471141
206574	CLARK 5872S	20674	SKF 200110	207124075	TROS 472287	207656	CLARK 471765
206575	CLARK 472636	206742	CLARK 411394	20712412	TROS 472287	207672	CLARK 471649
2065760	GWI 471869	206742	CLARK 450317	2071250	GMC 471787	207693	CLARK 473016
2065760	GWI 473459	206775	CLARK 472144	20715	EATON 415004V	207699	CLARK 470605
206578	ALLCH 470163	20678	GARLK 471267	20715	FULLE 415004V	207749	CLARK 471192
206578	ALLCH 471766	206785	ALLCH 470027	20715	GARLK 471646	20775	VICK 412861
20659	C-R 450311	206785	ALLCH 471554	20716	BORGW 8160S	207750	CLARK 450444
20659	SKF 450311	206786	ALLCH 473215	20716	EATON 470625V	207750	CLARK 471835
206593	CLARK 471763	206789	ALLCH 473215	207190	CLARK 473243	2078	ALOY 4099
2065OS	JN-MN 471549	206791	ALLCH 450082	2071Y	IH 7600S	2078	SEAMA 415984
2066126	GMC 415086N	206791	ALLCH 473238	2072	SEAMA 415036	2078026	GMC 370005A
2066126	GMC 417487	206801	CLARK 410737	2072055	CHRYS 340797	2078535	GMC 475012N
2066157	GMC 450083	206801	CLARK 450737	2072056	CHRYS 240731	2079	ALOY 4249
2066157	GMC 472924	2068106	GMC 410316	2072707	CHRYS 41257	207919	CLARK 471267
2066184	GMC 450082	2068106	GMC 472636	2072707	FORD 41257	20793	FMC 471192
2066184	GMC 473238	206834	CLARK 340151	207273	CLARK 450085	207948	CLARK 472439
206648	CLARK 470059	206840	ALLCH 450316	207273	CLARK 470530	207960	WILYS 410059
206648	CLARK 470380	206840	ALLCH 472636	2073	ALOY 3747	207960	WILYS 470380
20669	C-R 5756	206850	CLARK 450083	20730	GARLK 470590	20798	SIDEW 473517
20669	SKF 5756	206850	CLARK 472924	2073173	FLXIB 370036A	2079836	GMC 415437
2067088	GMC 410987	2068504	GMC 472394	2073173	GMC 370036A	2079836	GMC 455173
2067088	GMC 450103	206864	CLARK 410867N	2073173	GMC 370349A	207993	ALLCH 450444
206714	CLARK 415003	2068682	GMC 410316	2073173	GMC 380036A	207993	ALLCH 471835
206714	CLARK 415458	2068682	GMC 472636	2073613	GMC 410519	2079SR	OSHKO 470059
2067175	CHRYS 331301N	2068683	GMC 415147	2073613	GMC 471271	2079SR	OSHKO 470380
2067178	CHRYS 5589	2068683	GMC 415449	207418	CLARK 340771	207A	CHEL 471267
2067179	CHRYS 470064	20687	GARLK 471570	2074449	GMC 417507	207VB7	MARI 416865
2067179	CHRYS 471821	206893	CLARK 413248	2074449	GMC 455513	207VB7	MARI 455070
2067181	CHRYS 6064	206A	CHEL 480210	2074702	GMC 416107	208	BUSHH 6906S
2067182	CHRYS 6985	206VB7	MARI 411376	2074702	GMC 455073	208	UNIVE 415449
2067185	CHRYS 7934S	206VB7	MARI 455093	2074786	GMC 40395	208	UNIVE 455147
2067186	CHRYS 450666	207	CHEL 471231	2074786	GMC 40395S	208069	CUMMI 2291
2067187	CHRYS 5458	207	IH 471231	207483	CLARK 470565	20807	FULLE 713750
2067188	CHRYS 5458	207	UNIVE 411245	20749	C-R 450313	20807	SIDEW 471870
2067191	CHRYS 5573	207	UNIVE 455096	20749	SKF 450313	20807	SIDEW 471883
2067192	CHRYS 6818	2070	SEAMA 450444	20752	C-R 450343	20809D	IH 416921
2067193	CHRYS 7537S	2070	SEAMA 471835	20752	SKF 450343	20809D	IH 455011
2067195	CHRYS 471193N	20700	C-R 5685	207523	CINMI 415124	2081	ALOY 3677
2067198	CHRYS 8139	20700	SKF 5685	207523	CLARK 471765	2081	TIMKE 2081
2067200	CHRYS 470059	2070065	GOODM J1115	2075286	GMC 450291	20811607	TROS 471795
2067200	CHRYS 470380	207009	COOK 410737	2075286	GMC 471141	20812007	TROS 473211
2067201	CHRYS 470059	207009	COOK 450737	207529	CLARK 470712	20812404	TROS 455576
2067201	CHRYS 470380	2070113	CHRYS 8516N	207537R91	IH 6988H	20812405	TROS 471192
2067204	CHRYS 440265	20702	C-R 416738	207545	CLARK 50266	20812406	TROS 471192
2067206	CHRYS 6815	20702	C-R 450096	207546	CLARK 416404	20812407	TROS 471192
2067207	CHRYS 450444	20702	SKF 416738	20756	TMTR 6590S	20812410	TROS 471192
2067207	CHRYS 471835	20702	SKF 450096	207565	CLARK 450444	20812807	TROS 473224
2067208	CHRYS 450067	2070639	GMC 470163	207565	CLARK 471835	20813207	TROS 473227
2067208	CHRYS 473228	2070639	GMC 471766	207570R91	IH 350954	20814004	TROS 481181
2067209	CHRYS 9568	2070779	GMC 415371	207570R91	IH 470954	20814004	TROS 481181N
2067211	CHRYS 5778	2070782	GMC 416865	20758	C-R 455260	208147	ALLCH 472658
2067212	CHRYS 6930	2070782	GMC 455070	20758	SKF 455260	208147	ALLCH 473197
2067213	CHRYS 6930	2070788	CHRYS 470487N	2076	SEAMA 417211	20820813	VOLVO 100263
2067214	CHRYS 7044NA	207085	CLARK 415498	2076132	GMC 415082	2082924	GMC 415007
2067215	CHRYS 7994S	207086	GAL 471689	20762	FULLE 472311V	2082925	GMC 450095
2067216	CHRYS 451182	207086	WHITE 471689	207640	CLARK 471192	2082925	GMC 473464
2067218	CHRYS 7457N	207116075	TROS 450177	207644	CLARK 450444	2082926	GMC 475003N
206722	CLARK 473447	207120075	TROS 473421	207644	CLARK 471835	2083	ALOY 3543
206731	CLARK 470565	2071215	GMC 100263	2076549	GMC 450291	208306	UNIVE 473473

INTERCHANGE SECTION

COMPETITIVE INTERCHANGES

Mfr No.	Mfr.	National	Mfr No.	Mfr.	National	Mfr No.	Mfr.	National	Mfr No.	Mfr.	National
208312	UNIVE	471138	20866	C-R	710589	209501	CLARK	417344	21000707	GMC	324204
208318	UNIVE	410737	20866	SKF	710589	20952	C-R	6590S	21000708	GMC	4307V
208318	UNIVE	450737	208711	ALLCH	472658	20952	SKF	6590S	21001532	GMC	718610
208325	MICH	450316	208711	ALLCH	473197	2095463	GMC	6863S	21001660	GMC	4615V
208325	MICH	472636	208714	ALLCH	472658	2095539	GMC	240319	21001662	GMC	714616
208325	UNIVE	450316	208714	ALLCH	473197	209557M1	MASSE	450185	21002282	GMC	4614N
208325	UNIVE	472636	208742	CLARK	450316	209557M1	MASSE	473229	21002283	GMC	4613N
208335	MICH	411253	208742	CLARK	472636	209562M1	MASSE	410737	21002669	GMC	4613N
208335	MICH	450099	208763	CLARK	6241S	209562M1	MASSE	450737	21002669	GMC	4614N
208335	UNIVE	411253	208788	CLARK	415995	209564	CLARK	415836	21002670	GMC	4613N
208335	UNIVE	450099	208788	CLARK	455013	209564	CLARK	415995	21002741	GMC	4615V
208337	MICH	412920	20880	C-R	710507	209587	CLARK	410101N	21002778	GMC	718610
208337	MICH	450132	20880	SKF	710507	209587	MIXMO	412119	21002853	GMC	4701N
208348	HYST	450400	208814	HYST	415090	2096	ALOY	8312	21002872	GMC	4613N
208348	MICH	455136	208821R91	IH	417082	2096	SEAMA	415138	21002873	GMC	4614N
208350	MICH	411376	2089	ALOY	224820	2096046	GMC	455088V	21003352	GMC	4613N
208350	MICH	455093	20894	JOY	471785	209623	CLARK	415147N	21003354	GMC	4614N
208350	UNIVE	411376	208986	H-S	450085	2096357	GMC	471787	210039	ALLCH	415449
208350	UNIVE	455093	208986	H-S	470530	2096367	GMC	450025	210039	ALLCH	455147
208362	MICH	415234	208A	CHEL	471466	2096367	GMC	471553	21003902	ALLCH	415449
208362	UNIVE	415234	208VB7	MARI	455079	20965	C-R	8243	21004	GARLK	471224
208370	CLARK	330385	209	UNIVE	415988	20965	SKF	8243	21004	US-EL	470712
208375	UNIVE	415259	2090	ALOY	9316	2096658	GMC	450494	210063	GMC	450083
208385	CLARK	450316	2090146	GMC	370023A	2096658	GMC	472164	210063	GMC	472924
208385	CLARK	472636	2090146	GMC	380023A	2096RC	SUL	473242	21007	US-EL	472185
208400	MECH	370007A	20902	C-R	710522	2097	CHEL	450352	21008	NEWPR	710760
208417	ALLCH	450452	20902	SKF	710522	2097	CHEL	472164	2100863	GMC	475009N
208417	ALLCH	473197	2090539	GMC	240435	20975	C-R	40973S	2100864	GMC	411253
2084190	GMC	410987	20906	C-R	710175	20975	SKF	40973S	21009321	GMC	4613N
2084190	GMC	450103	20906	SKF	710175	209778	CLARK	415483	21009322	SATUR	4614N
208432	CINMI	415645	20907D	IH	450593	209778	CLARK	455368	210098	WAYNE	455336
208432	CINMI	455104	209090	HYST	470351	209788	CLARK	415995V	21009B	WAYNE	455336
208436	ALLCH	450444	2091	STEM	370106A	209788	CLARK	455995N	210107	HYST	473458
208436	ALLCH	471835	2091	STEM	9128S	2098	CHEL	450067	210108	HYST	471689
20847	C-R	710537	2091108	OPEL	224200	2098	CHEL	473228	21011005034	LADA	224025
20847	SKF	710537	20915	C-R	340900	2098550	GMC	417344	21011005160	LADA	227040
2084868	GMC	415458	20915	SKF	340900	2098550	GMC	455006	21011701043	LADA	222860
2084868	GMC	455003	2091906	GMC	471887	2098753	GMC	418028	210124	WAYNE	473448
208488	CLARK	471466	2092	ALOY	1994	2098753	GMC	455137	21012401034	LADA	223014
208494	CLARK	470351	20920	FULLE	712750	209907	WILYS	41787S	21014	WOODB	471730
208494	CLARK	471504	2092491	GMC	417171	209979	CLARK	473463	21015	VICK	471787
20850012	GMC	710853	209273VHY	TRSCM	6590S	2099RC	SUL	450076	2101688	FMC	240735
2085247	FLXIB	470059	2092767	GMC	6703S	2099RC	SUL	470334	21020	GARLK	471649
2085247	FLXIB	470380	2093	ALOY	1984	209VB7	MARI	415302	2102101X	GRAM	410308
2085247	GMC	470059	209312VH	TRSCM	40973S	20H1160	MINNM	204002	2102101X	GRAM	450308
2085247	GMC	470380	2093289	GMC	412473	20J	OSHKO	450066	210256	ALLCH	45013S
2085249	GMC	417484N	2093289	GMC	415894	20J	OSHKO	473367	21028	GARLK	471689
2085249	GMC	455322	209341	TW-CO	471765	20RL204	CONTI	450085	2102985X	GRAM	471785
208538	CLARK	450085	209354	WILYS	9613S	20RL204	CONTI	470530	2102986X	GRAM	450444
208538	CLARK	470530	2093940	GMC	473473	20RL294	CONTI	450085	2102986X	GRAM	471835
2085764	GMC	475080N	2094	ALOY	417158	20RL294	CONTI	470530	2102987X	GRAM	450291
208579	CUMMI	39813	209400	MECH	370012A	20RL294	KEN	450085	2102987X	GRAM	471141
2085RC	SUL	481073	2094257	GMC	471267	20RL294	KEN	470530	2103	ALOY	1177
208623	JEFF	415001	2094297	GMC	5872S	210	C-R	2297V	21030	GARLK	471689
208623	JEFF	455001	209440	CLARK	473449	210	C-R	39807	2103027X	GRAM	473227
208633C1	IH	472642	209440	GAL	450118	210	SKF	2297V	2103074X	GRAM	471192
208633C1	MERIX	472642	209440	GAL	473449	210	SKF	39807	2103075X	GRAM	473228
208633C1	ROCKW	472642	2094440	GMC	370008A	210	UNIVE	415458	2103076X	GRAM	480491
20865	C-R	710588	2095	ALOY	3732S	210	UNIVE	455003	2103078X	GRAM	450183
20865	SKF	710588	2095	UNIVE	414045	21000707	ACDEL	324204	2103078X	GRAM	472179

INTERCHANGE SECTION

COMPETITIVE INTERCHANGES



Mfr No.	Mfr.	National	Mfr No.	Mfr.	National	Mfr No.	Mfr.	National	Mfr No.	Mfr.	National
2103080X	GRAM	240119	21069	C-R	5589	210862227	GARLK	416011	210862312	GARLK	455024
2103223X	GRAM	415147	21069	SKF	5589	210862227	GARLK	417621	210862313	GARLK	455024
2103223X	GRAM	415449	2106900	CLARK	710024	210862228	GARLK	416288	210862314	GARLK	455024
2103224X	GRAM	415302	21070	C-R	5589	210862229	GARLK	416288	210862321	GARLK	412473
2103226	GMC	415371	21070	SKF	5589	210862230	GARLK	416288	210862321	GARLK	415894
2103226X	GRAM	450316	2107025	CLARK	370038A	210862231	GARLK	417171	210862322	GARLK	412473
2103226X	GRAM	472636	210712	BENDI	410163	210862232	GARLK	417171	210862322	GARLK	415894
2103227	GMC	416865	210712	BENDI	471766	210862233	GARLK	417171	210862323	GARLK	412473
2103227	GMC	455070	2107282	CLARK	472660	210862234	GARLK	417172	210862323	GARLK	415894
210325	MICH	411394	2107358	CLARK	370166A	210862235	GARLK	417172	210862324	GARLK	417191
210325	MICH	450317	210737	EATON	475012N	210862236	GARLK	417172	210862324	GARLK	455165
210325	UNIVE	411394	210737R91	IH	450121	210862237	GARLK	416297	210862325	GARLK	417191
210325	UNIVE	450317	210737R91	IH	472409	210862246	GARLK	415021	210862325	GARLK	455165
21033	JOY	450389	210738R91	IH	415007	210862247	GARLK	415021	210862326	GARLK	417191
21033	JOY	472492	2107639	GRAM	471391	210862248	GARLK	415021	210862326	GARLK	455165
210335	MICH	410694	2107640	GRAM	473463	210862249	GARLK	456105	210862327	GARLK	417354
210335	UNIVE	410694	2107642	GRAM	450291	210862250	GARLK	456105	210862328	GARLK	417354
210336	KOHL	470328	2107642	GRAM	471141	210862251	GARLK	456105	210862329	GARLK	417354
210336	KOHL	481213	2107643	GRAM	450463	210862252	GARLK	417490	210862330	GARLK	416321
210350	MICH	416444	2107687	GRAM	470163	210862253	GARLK	417490	210862336	GARLK	415025
210350	UNIVE	416444	2107687	GRAM	471766	210862254	GARLK	417490	210862337	GARLK	415025
21036	EATON	713750	21077	US-EL	413248	210862255	GARLK	455336	210862338	GARLK	415025
2103RC	SUL	417316	2107RC	SUL	416892	210862256	GARLK	455336	210862342	GARLK	416327
2103RC	SUL	455004	2108	HWY	417494	210862257	GARLK	455336	210862345	GARLK	55419
2104	ALOY	473238	21081005160	LADA	228009	210862260	GARLK	6358	210862346	GARLK	55419
21040	C-R	2002	210834	CUMMI	39302	210862261	GARLK	417490	210862347	GARLK	55419
21040	GARLK	471733	2108434	DANA	4354V	210862267	GARLK	455022	210862348	GARLK	417493
21040	SKF	2002	2108434	SPICE	4354V	210862268	GARLK	455022	210862349	GARLK	417493
210400	MECH	370018A	2108446	CLARK	4353	210862269	GARLK	455022	210862350	GARLK	417493
21041	C-R	2002	210862174	GARLK	415836	210862270	GARLK	476470	210862354	GARLK	417494
21041	SKF	2002	210862174	GARLK	415995	210862271	GARLK	476470	210862355	GARLK	417494
210410	STUDE	472234	210862177	GARLK	417351	210862272	GARLK	455018	210862356	GARLK	417494
2104221	GMC	415371	210862178	GARLK	417351	210862272	GARLK	476470	210862357	GARLK	455026
2104222	GMC	416865	210862178	GARLK	455154	210862273	GARLK	417181	210862358	GARLK	455026
2104222	GMC	455070	210862180	GARLK	415086N	210862274	GARLK	417181	210862359	GARLK	455026
210431	FWD	450082	210862180	GARLK	417487	210862275	GARLK	417181	210862363	GARLK	455471
210431	FWD	473238	210862181	GARLK	417487	210862276	GARLK	418028	210862364	GARLK	455471
21045	C-R	710073	210862181	GARLK	455014	210862276	GARLK	455137	210862365	GARLK	455471
21045	SKF	710073	210862182	GARLK	417487	210862277	GARLK	418028	210862366	GARLK	415991
21048	C-R	225410	210862182	GARLK	455014	210862277	GARLK	455137	210862366	GARLK	455146
21048	SKF	225410	210862183	GARLK	417488	210862278	GARLK	418028	210862367	GARLK	415991
2105042	GMC	450316	210862184	GARLK	417488	210862278	GARLK	455137	210862367	GARLK	455146
2105042	GMC	472636	210862185	GARLK	417488	210862279	GARLK	417353	210862368	GARLK	415991
21051	HYST	471763	210862186	GARLK	415088	210862280	GARLK	417353	210862368	GARLK	455146
2105131	GMC	455151	210862187	GARLK	415088	210862281	GARLK	417353	210862369	GARLK	417196
21052	C-R	710239	210862187	GARLK	455088	210862282	GARLK	456305	210862370	GARLK	417196
21052	SKF	710239	210862188	GARLK	455019	210862284	GARLK	416865	210862371	GARLK	417196
21059	C-R	473204	210862189	GARLK	55548	210862288	GARLK	415023	210862372	GARLK	415437
21059	SKF	473204	210862195	GARLK	455820	210862289	GARLK	415023	210862373	GARLK	415437
21061	C-R	473204	210862198	GARLK	455019	210862290	GARLK	415023	210862373	GARLK	455173
21061	SKF	473204	210862199	GARLK	455019	210862294	GARLK	455328	210862374	GARLK	415437
2106108	CLARK	416422	210862200	GARLK	455019	210862295	GARLK	455328	210862374	GARLK	455173
210612	CLARK	471271	210862204	GARLK	455015	210862296	GARLK	455328	210862375	GARLK	417198
210616	FWD	470219	210862205	GARLK	455015	210862298	GARLK	417491	210862376	GARLK	417198
210616	FWD	471649	210862206	GARLK	455015	210862299	GARLK	417491	210862377	GARLK	417198
21063	C-R	473204	210862222	GARLK	455020	210862300	GARLK	415085	210862378	GARLK	415027
21063	SKF	473204	210862225	GARLK	416011	210862300	GARLK	456648	210862379	GARLK	415027
21064	C-R	471950	210862225	GARLK	417621	210862306	GARLK	416313	210862379	GARLK	455027
21064	SKF	471950	210862226	GARLK	416011	210862307	GARLK	416313	210862380	GARLK	415027
2106850	CLARK	417545	210862226	GARLK	417621	210862308	GARLK	416313	210862381	GARLK	417495

INTERCHANGE SECTION

COMPETITIVE INTERCHANGES

Mfr No.	Mfr.	National	Mfr No.	Mfr.	National	Mfr No.	Mfr.	National	Mfr No.	Mfr.	National
210862382	GARLK	417495	210862477	GARLK	416127	210862545	GARLK	417357	210862661	GARLK	415196
210862383	GARLK	417495	210862480	GARLK	417503	210862546	GARLK	416130	210862662	GARLK	415196
210862384	GARLK	415559	210862484	GARLK	417504	210862547	GARLK	416130	210862663	GARLK	416891
210862385	GARLK	415559	210862485	GARLK	417504	210862548	GARLK	416130	210862664	GARLK	416891
210862386	GARLK	415559	210862486	GARLK	455032	210862549	GARLK	415036	210862665	GARLK	416891
210862390	GARLK	417496	210862487	GARLK	455032	210862550	GARLK	415036	210862666	GARLK	416135
210862391	GARLK	417496	210862488	GARLK	455032	210862551	GARLK	415036	210862669	GARLK	415045
210862392	GARLK	417496	210862492	GARLK	455189	210862552	GARLK	417507	210862670	GARLK	415045
210862393	GARLK	415711	210862493	GARLK	455189	210862553	GARLK	417507	210862671	GARLK	415045
210862394	GARLK	415711	210862494	GARLK	455189	210862554	GARLK	417507	210862675	GARLK	416137
210862395	GARLK	415711	210862501	GARLK	417211	210862555	GARLK	415041	210862676	GARLK	416137
210862396	GARLK	417497	210862502	GARLK	417211	210862556	GARLK	415041	210862677	GARLK	416137
210862397	GARLK	417497	210862503	GARLK	417211	210862557	GARLK	415041	210862678	GARLK	417518
210862398	GARLK	417497	210862504	GARLK	416345	210862561	GARLK	417509	210862679	GARLK	417518
210862399	GARLK	417498	210862505	GARLK	416345	210862562	GARLK	417509	210862680	GARLK	417518
210862400	GARLK	417498	210862505	GARLK	455033	210862563	GARLK	417509	210862681	GARLK	415058
210862401	GARLK	417498	210862506	GARLK	416345	210862567	GARLK	417223	210862682	GARLK	415058
210862402	GARLK	55028	210862506	GARLK	455033	210862568	GARLK	417223	210862683	GARLK	415058
210862417	GARLK	416047	210862507	GARLK	415697	210862569	GARLK	417223	210862684	GARLK	456141
210862417	GARLK	416332	210862507	GARLK	455547	210862579	GARLK	455037	210862687	GARLK	455197N
210862418	GARLK	416047	210862508	GARLK	415697	210862580	GARLK	455037	210862688	GARLK	455197N
210862418	GARLK	416332	210862508	GARLK	455547	210862581	GARLK	455037	210862689	GARLK	455197N
210862419	GARLK	416047	210862509	GARLK	415697	210862600	GARLK	417511	210862693	GARLK	417520
210862419	GARLK	416332	210862509	GARLK	455547	210862601	GARLK	417511	210862694	GARLK	417520
210862420	GARLK	415937	210862510	GARLK	417366	210862602	GARLK	417511	210862695	GARLK	417520
210862421	GARLK	415937	210862511	GARLK	417366	210862603	GARLK	415142	210862699	GARLK	416144
210862422	GARLK	415937	210862512	GARLK	417366	210862604	GARLK	415142	210862700	GARLK	416144
210862423	GARLK	417355	210862513	GARLK	415958	210862605	GARLK	415142	210862701	GARLK	416144
210862424	GARLK	417355	210862513	GARLK	455958	210862609	GARLK	417512	210862705	GARLK	417238
210862425	GARLK	417355	210862516	GARLK	417505	210862610	GARLK	417512	210862711	GARLK	415196
210862426	GARLK	416125	210862519	GARLK	415304	210862611	GARLK	417512	210862712	GARLK	415196
210862427	GARLK	416125	210862519	GARLK	476470	210862615	GARLK	415043	210862713	GARLK	415196
210862428	GARLK	416125	210862520	GARLK	415034	210862616	GARLK	415043	210862717	GARLK	415047
210862432	GARLK	417499	210862520	GARLK	455034	210862617	GARLK	415043	210862718	GARLK	415047
210862435	GARLK	415832	210862521	GARLK	415304	210862621	GARLK	455203	210862719	GARLK	415047
210862441	GARLK	417501	210862521	GARLK	476470	210862622	GARLK	455203	210862723	GARLK	416149
210862442	GARLK	417501	210862525	GARLK	455191	210862623	GARLK	455203	210862724	GARLK	416149
210862443	GARLK	417501	210862527	GARLK	455191	210862627	GARLK	455056	210862725	GARLK	416149
210862447	GARLK	55030	210862528	GARLK	415263	210862628	GARLK	455056	210862726	GARLK	417522
210862448	GARLK	55030	210862529	GARLK	415263	210862629	GARLK	455056	210862729	GARLK	415060
210862449	GARLK	55030	210862530	GARLK	415263	210862630	GARLK	455194	210862730	GARLK	415060
210862453	GARLK	416670	210862531	GARLK	417506	210862631	GARLK	455194	210862731	GARLK	415060
210862454	GARLK	416670	210862532	GARLK	417506	210862632	GARLK	455194	210862738	GARLK	417525
210862455	GARLK	416670	210862533	GARLK	417506	210862636	GARLK	417513	210862739	GARLK	417525
210862459	GARLK	417502	210862537	GARLK	415035	210862637	GARLK	417513	210862740	GARLK	417525
210862462	GARLK	415379	210862537	GARLK	415953	210862638	GARLK	417513	210862744	GARLK	417526
210862462	GARLK	455379	210862538	GARLK	415035	210862642	GARLK	417514	210862745	GARLK	417526
210862463	GARLK	415379	210862538	GARLK	455035	210862643	GARLK	417514	210862746	GARLK	417526
210862464	GARLK	415379	210862539	GARLK	415035	210862644	GARLK	417514	210862750	GARLK	415351
210862464	GARLK	455379	210862539	GARLK	415953	210862648	GARLK	417515	210862751	GARLK	415351
210862465	GARLK	417205	210862540	GARLK	417356	210862654	GARLK	417516	210862752	GARLK	415351
210862466	GARLK	417205	210862540	GARLK	455188	210862655	GARLK	417516	210862753	GARLK	416888
210862467	GARLK	417205	210862541	GARLK	417356	210862656	GARLK	417516	210862754	GARLK	416888
210862468	GARLK	416339	210862541	GARLK	455188	210862657	GARLK	455195	210862754	GARLK	455200
210862469	GARLK	416339	210862542	GARLK	417356	210862657	GARLK	472157	210862755	GARLK	416888
210862469	GARLK	455031	210862542	GARLK	455188	210862658	GARLK	455195	210862755	GARLK	455200
210862470	GARLK	416339	210862543	GARLK	417357	210862658	GARLK	472157	210862756	GARLK	416153
210862474	GARLK	415150	210862543	GARLK	455192	210862659	GARLK	416556	210862757	GARLK	416153
210862475	GARLK	415150	210862544	GARLK	417357	210862659	GARLK	472157	210862758	GARLK	416153
210862476	GARLK	415150	210862544	GARLK	455192	210862660	GARLK	415196	210862759	GARLK	416892

INTERCHANGE SECTION

COMPETITIVE INTERCHANGES



Mfr No.	Mfr. National	Mfr No.	Mfr. National	Mfr No.	Mfr. National	Mfr No.	Mfr. National
210862760	GARLK 416892	210862859	GARLK 416163	210863034	GARLK 417548	210863282	GARLK 416666
210862761	GARLK 416892	210862860	GARLK 416163	210863059	GARLK 417262	210863283	GARLK 416666
210862762	GARLK 417531	210862864	GARLK 456890	210863060	GARLK 417262	210863284	GARLK 417364
210862765	GARLK 416154	210862865	GARLK 456890	210863060	GARLK 455448	210863293	GARLK 416039
210862766	GARLK 416154	210862866	GARLK 456890	210863061	GARLK 417262	210863296	GARLK 416039
210862767	GARLK 416154	210862873	GARLK 416167	210863061	GARLK 455448	210863322	GARLK 416476
210862768	GARLK 416070	210862873	GARLK 455091	210863062	GARLK 417358	210863322	GARLK 455075
210862769	GARLK 416070	210862874	GARLK 416167	210863065	GARLK 415645	210863323	GARLK 416476
210862770	GARLK 416070	210862874	GARLK 455091	210863065	GARLK 455104	210863323	GARLK 455075
210862771	GARLK 415351	210862875	GARLK 416167	210863066	GARLK 415645	210863324	GARLK 416476
210862772	GARLK 415351	210862875	GARLK 455091	210863066	GARLK 455104	210863324	GARLK 455075
210862773	GARLK 415351	210862876	GARLK 417267	210863067	GARLK 415645	210863331	GARLK 455297
210862774	GARLK 417532	210862877	GARLK 417267	210863067	GARLK 455104	210863332	GARLK 455297
210862775	GARLK 417532	210862878	GARLK 417267	210863068	GARLK 417359	210863333	GARLK 455297
210862776	GARLK 417532	210862879	GARLK 417269	210863070	GARLK 417359	210863347	GARLK 417780
210862780	GARLK 417533	210862880	GARLK 417269	210863071	GARLK 417549	210863348	GARLK 417780
210862781	GARLK 417533	210862881	GARLK 417269	210863095	GARLK 417550	210863349	GARLK 417780
210862782	GARLK 417533	210862894	GARLK 417539	210863096	GARLK 417550	210863355	GARLK 415683
210862786	GARLK 417534	210862900	GARLK 417273	210863097	GARLK 417550	210863356	GARLK 415683
210862787	GARLK 417534	210862901	GARLK 417273	210863122	GARLK 417551	210863357	GARLK 415683
210862788	GARLK 417534	210862902	GARLK 417273	210863123	GARLK 417551	210863358	GARLK 417365
210862792	GARLK 457585	210862903	GARLK 417540	210863124	GARLK 417551	210863359	GARLK 417365
210862798	GARLK 416156	210862904	GARLK 417540	210863125	GARLK 455576	210863360	GARLK 417365
210862799	GARLK 416156	210862905	GARLK 417540	210863126	GARLK 455576	210863367	GARLK 415072
210862801	GARLK 415371	210862915	GARLK 415725	210863127	GARLK 455576	210863368	GARLK 415072
210862802	GARLK 415371	210862916	GARLK 415725	210863128	GARLK 415938	210863369	GARLK 415072
210862803	GARLK 415371	210862917	GARLK 415725	210863129	GARLK 415938	210863370	GARLK 415072
210862804	GARLK 455685	210862918	GARLK 417584	210863130	GARLK 415938	210863375	GARLK 455330
210862805	GARLK 455685	210862921	GARLK 416865	210863131	GARLK 417554	210863376	GARLK 455330
210862806	GARLK 455685	210862922	GARLK 416865	210863132	GARLK 417554	210863377	GARLK 455330
210862807	GARLK 416158	210862922	GARLK 455070	210863133	GARLK 417554	210863384	GARLK 415074
210862808	GARLK 416158	210862923	GARLK 416865	210863155	GARLK 55357	210863385	GARLK 415074
210862809	GARLK 416158	210862924	GARLK 417278	210863156	GARLK 55357	210863386	GARLK 415074
210862813	GARLK 415064	210862926	GARLK 417278	210863157	GARLK 55357	210863387	GARLK 415074
210862814	GARLK 415064	210862927	GARLK 417541	210863176	GARLK 417254	210863394	GARLK 455480
210862815	GARLK 415064	210862928	GARLK 417541	210863177	GARLK 417254	210863395	GARLK 455480
210862825	GARLK 417535	210862929	GARLK 417541	210863178	GARLK 417254	210863396	GARLK 455480
210862826	GARLK 417535	210862933	GARLK 417542	210863179	GARLK 417360	210863397	GARLK 455480
210862827	GARLK 417535	210862934	GARLK 417542	210863180	GARLK 417360	210863402	GARLK 417562
210862831	GARLK 417536	210862935	GARLK 417542	210863181	GARLK 417360	210863403	GARLK 417562
210862832	GARLK 417536	210862936	GARLK 417543	210863182	GARLK 416107	210863404	GARLK 417562
210862833	GARLK 417536	210862937	GARLK 417543	210863183	GARLK 416107	210863405	GARLK 417562
210862834	GARLK 417537	210862938	GARLK 417543	210863183	GARLK 455073	210863421	GARLK 417563
210862835	GARLK 417537	210862941	GARLK 417544	210863184	GARLK 416107	210863422	GARLK 417563
210862836	GARLK 417537	210862951	GARLK 417545	210863184	GARLK 455073	210863423	GARLK 417563
210862837	GARLK 415138	210862960	GARLK 455290	210863185	GARLK 417361	210863424	GARLK 417563
210862838	GARLK 415138	210862961	GARLK 455290	210863190	GARLK 415610	210863426	GARLK 415294
210862839	GARLK 415138	210862962	GARLK 455290	210863200	GARLK 456192	210863426	GARLK 455294
210862840	GARLK 417538	210862990	GARLK 416557	210863228	GARLK 417555	210863427	GARLK 415294
210862842	GARLK 417538	210862992	GARLK 416557	210863229	GARLK 417555	210863427	GARLK 455294
210862843	GARLK 417247	210862993	GARLK 417258	210863230	GARLK 417555	210863434	GARLK 416229
210862844	GARLK 417247	210862996	GARLK 417546	210863234	GARLK 417556	210863435	GARLK 416229
210862845	GARLK 417247	210862997	GARLK 417546	210863235	GARLK 416288	210863444	GARLK 417298
210862846	GARLK 417252	210862998	GARLK 417546	210863236	GARLK 417556	210863445	GARLK 417298
210862847	GARLK 417252	210862999	GARLK 417547	210863240	GARLK 417040	210863460	GARLK 415327
210862848	GARLK 417252	210863000	GARLK 417547	210863275	GARLK 417362	210863461	GARLK 415327
210862849	GARLK 415066	210863001	GARLK 417547	210863276	GARLK 417362	210863464	GARLK 417596
210862850	GARLK 415066	210863030	GARLK 417548	210863277	GARLK 417362	210863465	GARLK 417596
210862851	GARLK 415066	210863032	GARLK 417548	210863278	GARLK 417363	210863474	GARLK 455948
210862858	GARLK 416163	210863033	GARLK 417548	210863281	GARLK 416666	210863482	GARLK 455584

INTERCHANGE SECTION

COMPETITIVE INTERCHANGES

Mfr No.	Mfr.	National	Mfr No.	Mfr.	National	Mfr No.	Mfr.	National	Mfr No.	Mfr.	National
210863483	GARLK	455584	210863705	GARLK	415076	210866711R1	GARLK	415725	210VB7	MARI	455147
210863492	GARLK	416364	210863737	GARLK	55103S	210866760F1	GARLK	417603	211	C-R	5117
210863493	GARLK	416364	210863775	GARLK	455330	210866872R1	GARLK	417362	211	SKF	5117
210863496	GARLK	417597	210863924	GARLK	417602	210866891F1	GARLK	416239	211	THIOK	473241
210863497	GARLK	417597	210863925	GARLK	417602	210866920F1	GARLK	415294	211	UNIVE	455151
210863500	GARLK	416239	210863932	GARLK	455123	210866978F1	GARLK	416380	2111015	ITM	494122
210863501	GARLK	416239	210863937	GARLK	417603	210867115F1	GARLK	415991	2111016	ITM	2003N
210863504	GARLK	417564	210863945	GARLK	417567	210867115F1	GARLK	415991N	2111018	ITM	474134
210863505	GARLK	417564	210863949	GARLK	455966	210867151F1	GARLK	415645	2111029	ITM	2002
210863514	GARLK	416077	210863951	GARLK	415128	210867155F1	GARLK	415072	2111033	ITM	1986
210863515	GARLK	416077	210863954	GARLK	455462	210867233F1	GARLK	415551	2111040	ITM	1999
210863518	GARLK	416044	210863965	GARLK	416257	210867289F1	GARLK	417191	2111041	ITM	223014
210863519	GARLK	416044	210863967	GARLK	415219	210867402F1	GARLK	415088	2111052	ITM	1943
210863526	GARLK	415116	210863975	GARLK	415871	210867433F1	GARLK	415072	2111055	ITM	494117
210863527	GARLK	415116	210863984	GARLK	417606	210867433R1	GARLK	415072	2111577	ITM	472397
210863536	GARLK	455117	210863996	GARLK	417020	210867436F1	GARLK	415327	2112142	ITM	331227H
210863537	GARLK	455117	210863998	GARLK	417020	210867448F1	GARLK	415036	2112392	ITM	470565
210863538	GARLK	415317	210864016	GARLK	415227	210867670F1	GARLK	415304	2112410	ITM	472164
210863539	GARLK	415317	210864057	GARLK	415077	210867670F1	GARLK	476470	2112491	ITM	471785
210863544	GARLK	415867	210864058	GARLK	415077	210867673F1	GARLK	417020	2112625	ITM	470898
210863545	GARLK	415867	210864059	GARLK	415077	210867686F1	GARLK	415041	2112696	ITM	471870
210863552	GARLK	415551	210864062	GARLK	415076	210867880F1	GARLK	416556	2112696	ITM	471883
210863553	GARLK	415551	210864184	GARLK	55103S	210867880F1	GARLK	472157	2112767	ITM	470334
210863557	GARLK	415116	210864502	GARLK	417603	210867909F1	GARLK	417606	2112787	ITM	472258
210863558	GARLK	416102	210864503	GARLK	417940	210867953	GARLK	415577	2112871	ITM	224015
210863566	GARLK	417598	210864503	GARLK	55301S	210868149F1	GARLK	415294	2113130	ITM	473234
210863567	GARLK	417598	210864505	GARLK	455476	210868216F1	GARLK	415327	2113133	ITM	470625
210863578	GARLK	455406	210864506	GARLK	456462	210868306F1	GARLK	416107	2113154	ITM	43076S
210863579	GARLK	455406	210864507	GARLK	455462	210868311F1	GARLK	415437	2113156	ITM	473241
210863588	GARLK	455121	210864517	GARLK	55078S	210868319F1	GARLK	416321	2113233	ITM	473234
210863589	GARLK	455121	210864587	GARLK	416394	210868531F1	GARLK	416670	2113242	ITM	7399S
210863593	GARLK	415656	210864929R1	GARLK	417606	210868663R1	GARLK	417541	2113285	ITM	473231
210863596	GARLK	417600	210864966F1	GARLK	417247	210868683F1	GARLK	417511	2113331	ITM	224252
210863597	GARLK	417600	210864991R1	GARLK	415294	210868932R1	GARLK	415725	2113494	ITM	340823
210863600	GARLK	417601	210865049R1	GARLK	415034	210868996F1	GARLK	416154	2113498	ITM	471224
210863601	GARLK	417601	210865201F1	GARLK	417211	210869209F1	GARLK	412473	2113507	ITM	223535
210863602	GARLK	417602	210865280F1	GARLK	415036	210869209F1	GARLK	415894	2113509	ITM	473228
210863607	GARLK	415124	210865319F1	GARLK	417492	210869347F1	GARLK	416158	2113509	ITM	51098
210863609	GARLK	417022	210865332F1	GARLK	416321	210869401R1	GARLK	417355	2113511	ITM	471192
210863610	GARLK	417604	210865492F1	GARLK	415041	210869664R1	GARLK	417596	2113580	ITM	472492
210863611	GARLK	417567	210865512F1	GARLK	415304	210869724	GARLK	417487	2113640	ITM	471646
210863613	GARLK	415128	210865512F1	GARLK	476470	210869724	GARLK	455086	2113772	ITM	471692
210863614	GARLK	455129	210865646F1	GARLK	416125	210869780	GARLK	415294	2113835	ITM	471737
210863615	GARLK	55301S	210865683F1	GARLK	417603	210869780	GARLK	455294	2113952	ITM	470487N
210863617	GARLK	455476	210865831F1	GARLK	416888	210862192	GARLK	416370	2113971	ITM	472258
210863618	GARLK	456462	210865923F1	GARLK	415610	2108730	CLARK	370030A	2113996	ITM	472492
210863619	GARLK	455462	210865949R1	GARLK	415090	21091	C-R	450867	211405641D	VW	1209
210863623	GARLK	415090	210866089R1	GARLK	416077	21091	SKF	450867	2114531	ITM	1974
210863624	GARLK	415090	210866146R1	GARLK	415074	210945	TIMKE	210945	2114535	ITM	3771
210863633	GARLK	415219	210866433	GARLK	416364	2109451	GRAM	471267	2114576	ITM	471835
210863634	GARLK	415871	210866433F1	GARLK	416364	2109665	CLARK	471272	2114588	ITM	416888
210863646	GARLK	417606	210866434R1	GARLK	417357	210972	CUMMI	J1126	2114609	ITM	471652
210863648	GARLK	417606	210866435	GARLK	415962	21098	C-R	450867	2114765	ITM	472041
210863654	GARLK	55078S	210866437F1	GARLK	416239	21098	C-R	470898	2114765	ITM	473454
210863660	GARLK	417605	210866484F1	GARLK	415304	21098	SKF	450867	2114782	ITM	472324
210863673	GARLK	417020	210866484F1	GARLK	476470	21098	SKF	470898	2114785	ITM	1177
210863676	GARLK	417570	210866590F1	GARLK	416047	2109970040	MERCE	710642	2114786	ITM	1960
210863677	GARLK	417570	210866590F1	GARLK	416332	210PKG	TIMKE	210PKG	2114788	ITM	1176
210863680	GARLK	415227	210866603F1	GARLK	415725	210R	TIMKE	210PKG	2114795	ITM	1959
210863694	GARLK	415482	210866661F1	GARLK	417600	210VB7	MARI	415449	2114978	ITM	446927

INTERCHANGE SECTION

COMPETITIVE INTERCHANGES



Mfr No.	Mfr. National	Mfr No.	Mfr. National	Mfr No.	Mfr. National	Mfr No.	Mfr. National
2115016	ITM 472164	2117967	ITM 1960	2113560	ITM 239146	211580143	GARLK 471567
2116126	ITM 350936	2117970	ITM 1959	21136	C-R 473467	211580144	GARLK 471567
2116158	ITM 480630	2117972	ITM 1974	21136	SKF 473467	211580145	GARLK 471498
2116158	ITM 480991	2117976	ITM 473238	21137	MICH 481073	211580146	GARLK 471498
2116174	ITM 472213	2117989	ITM 482126	21137	UNIVE 481073	211580147	GARLK 471643
2116178	ITM 224025	2117994	ITM 3771	21138	GARLK 471763	211580149	GARLK 471684
2116193	ITM 472397	2118135	ITM 223035	2113909	ITM 471705	211580149	GARLK 471698
2116232	ITM 9845	2118284	ITM 225082	2113933	ITM 224820	211580150	GARLK 471684
2116301	ITM 1209	21100	C-R 470898	2113973	ITM 224520	211580150	GARLK 471698
2116318	ITM 473230	21100	SKF 470898	2113974	ITM 1973	211580153	GARLK 470390
2116319	ITM 482126	21101	C-R 40566S	2113975	ITM 227040	211580155	GARLK 473407
2116325	ITM 5697	21101	SKF 40566S	211401	ALLCH 471466	211580156	GARLK 473407
2116360	ITM 224015	2110147	GRAM 470120	211416	CINMI 450067	211580157	GARLK 470601
2116369	ITM 5778	2110147	GRAM 471224	211416	CINMI 473228	211580158	GARLK 470601
2116375	ITM 1183	211017	TW-DI 450301	211441	BRCWY 450085	211580159	GARLK 481443
2116377	ITM 1981	211017	TW-DI 472397	211441	BRCWY 470530	211580160	GARLK 481443
2116378	ITM 1992	21103	C-R 6879H	2114521	ITM 440131	211580161	GARLK 481568
2116430	ITM 1196	21103	SKF 6879H	2114530	ITM 224820	211580162	GARLK 481443
2116432	ITM 2955	211035	WOOL 480630	2114532	ITM 224045	211580165	GARLK 481644
2116454	ITM 3393	2110554	GRAM 471281	2114533	ITM 223542	211580166	GARLK 481644
2116465	ITM 228010	2110RC	SUL 416892	2114618	GMC 450183	211580167	GARLK 471337
2116466	ITM 227045	21110	C-R 9599S	2114618	GMC 472179	211580175	GARLK 450431
2116500	ITM 473823	21110	SKF 9599S	2114646	ITM 1012N	211580175	GARLK 471539
2116512	ITM 473237	2111019	ITM 1955	2114747	ITM 224045	211580176	GARLK 450431
2116532	ITM 331227H	2111020	ITM 1955	2114780	ITM 223240	211580176	GARLK 471539
2116534	ITM 1173	2111022	ITM 225110	2114781	ITM 223840	211580177	GARLK 471231
2116535	ITM 5591	2111035	WOOL 455310	2114784	ITM 223840	211580178	GARLK 471231
2116536	ITM 1188	2111077	ITM 1213N	2114789	ITM 1180	211580179	GARLK 450030
2116538	ITM 1188	21111	C-R 2457	2114802	ITM 223542	211580179	GARLK 474253
2116586	ITM 3771	21111	SKF 2457	21149	LAU 481443	211580180	GARLK 450030
2116671	ITM 1950	211112	BENDI 415960	2114954	ITM 224015	211580180	GARLK 474253
2117200	ITM 473237	211112	BENDI 455009	211501317	VW 1208	211580181	GARLK 450588
2117201	ITM 473237	21113	GARLK 471652	211501317A	VW 1208	211580183	GARLK 471645
2117506	ITM 1987	21114	GWI 473016	2115015	GMC 450316	211580185	GARLK 471686
2117507	ITM 1990	211163	US-EL 416404	2115015	GMC 472636	211580187	GARLK 473412
2117513	ITM 471847N	211166	ALLCH 450984	21151	LAU 450040	211580189	GARLK 471729
2117521	ITM 4990	21117	GARLK 471692	2115265	GMC 418028	211580193	GARLK 472452
2117530	ITM 1949	21121	C-R 42101S	2115265	GMC 455137	211580195	GARLK 473414
2117539	ITM 224015	21121	SKF 42101S	2115266	GMC 450316	211580199	GARLK 473414
2117540	ITM 1984	2112199	ITM 224820	2115266	GMC 472636	211580203	GARLK 473415
2117547	ITM 444116	2112202	ITM 1994	21153	LAU 451583	211580204	GARLK 473415
2117548	ITM 225225	2112328	ITM 1174	21154	LAU 480210	211580213	GARLK 471267
2117550	ITM 1992	2112398	ITM 471192	21155	LAU 471255	211580215	GARLK 471570
2117599	ITM 225650	21125	UNIVE 481537	211580005	GARLK 350364	211580216	GARLK 471570
2117628	ITM 1949	211253	CUMMI 39807	211580101	GARLK 481073	211580217	GARLK 471633
2117649	ITM 5108	211255	CUMMI 39302	211580102	GARLK 481073	211580218	GARLK 471633
2117673	ITM 3395	21128	GARLK 470712	211580105	GARLK 481397	211580219	GARLK 471646
2117718	ITM 3395	211334	ALLCH 472258	211580106	GARLK 481397	211580221	GARLK 470590
2117774	ITM 223535	211335	ALLCH 414268	211580109	GARLK 471529	211580222	GARLK 470590
2117903	ITM 1943	211335	ALLCH 450539	211580110	GARLK 471529	211580223	GARLK 471137
2117904	ITM 3476	21134	C-R 450115	211580111	GARLK 471538	211580224	GARLK 471137
2117916	ITM 3771	21134	C-R 473467	211580112	GARLK 471538	211580225	GARLK 471730
2117917	ITM 3771	21134	SKF 450115	211580113	GARLK 471553	211580226	GARLK 471730
2117923	ITM 1984	21134	SKF 473467	211580114	GARLK 450025	211580229	GARLK 470645
2117951	ITM 1217	2113470	ITM 224045	211580114	GARLK 471553	211580241	GARLK 450038
2117954	ITM 1962	2113485	ITM 226020	211580115	GARLK 471579	211580251	GARLK 471571
2117956	ITM 473812	2113487	ITM 224045	211580116	GARLK 471579	211580252	GARLK 471571
2117957	ITM 473179	21135	C-R 710866	211580119	GARLK 471642	211580255	GARLK 471647
2117959	ITM 1959	21135	SKF 710866	211580142	GARLK 470027	211580256	GARLK 471647
2117964	ITM 473367	211351	CLARK 417273	211580142	GARLK 471554	211580257	GARLK 472951

INTERCHANGE SECTION

COMPETITIVE INTERCHANGES

Mfr No.	Mfr.	National	Mfr No.	Mfr.	National	Mfr No.	Mfr.	National	Mfr No.	Mfr.	National
211580257	GARLK	474252	211580354	GARLK	470189	211580544	GARLK	473214	211580659	GARLK	451857
211580258	GARLK	472951	211580354	GARLK	471692	211580545	GARLK	470169	211580660	GARLK	451857
211580258	GARLK	474252	211580355	GARLK	470045	211580545	GARLK	473214	211580664	GARLK	473440
211580259	GARLK	450039	211580355	GARLK	476838	211580546	GARLK	470169	211580665	GARLK	473440
211580260	GARLK	450039	211580356	GARLK	470045	211580546	GARLK	473214	211580666	GARLK	473440
211580261	GARLK	450039	211580356	GARLK	476838	211580547	GARLK	473215	211580668	GARLK	470077
211580269	GARLK	451583	211580359	GARLK	471763	211580548	GARLK	473215	211580668	GARLK	474281
211580270	GARLK	451583	211580360	GARLK	471763	211580549	GARLK	473215	211580669	GARLK	470077
211580271	GARLK	450545	211580363	GARLK	471736	211580550	GARLK	470950	211580669	GARLK	474281
211580273	GARLK	471648	211580365	GARLK	473428	211580550	GARLK	6241S	211580670	GARLK	470548
211580274	GARLK	471648	211580367	GARLK	450161	211580551	GARLK	470950	211580670	GARLK	470625
211580275	GARLK	471688	211580367	GARLK	471764	211580551	GARLK	6241S	211580700	GARLK	472213
211580276	GARLK	471688	211580369	GARLK	473427	211580552	GARLK	470950	211580701	GARLK	472213
211580277	GARLK	450040	211580370	GARLK	473427	211580552	GARLK	6241S	211580702	GARLK	472213
211580278	GARLK	450040	211580374	GARLK	450362	211580556	GARLK	450444	211580703	GARLK	472299
211580279	GARLK	451082	211580383	GARLK	472475	211580556	GARLK	471835	211580704	GARLK	472299
211580285	GARLK	450339	211580384	GARLK	472475	211580557	GARLK	450444	211580706	GARLK	470064
211580286	GARLK	450339	211580385	GARLK	473426	211580557	GARLK	471835	211580706	GARLK	471821
211580288	GARLK	470120	211580386	GARLK	473426	211580559	GARLK	472843	211580707	GARLK	470064
211580288	GARLK	471224	211580389	GARLK	471354	211580566	GARLK	50126	211580707	GARLK	471821
211580289	GARLK	473380	211580390	GARLK	471354	211580592	GARLK	473224	211580708	GARLK	471821
211580290	GARLK	473380	211580403	GARLK	450048	211580593	GARLK	473224	211580712	GARLK	450185
211580291	GARLK	471649	211580405	GARLK	450173	211580594	GARLK	473224	211580712	GARLK	473229
211580292	GARLK	470219	211580427	GARLK	471766	211580595	GARLK	473016	211580713	GARLK	450185
211580292	GARLK	471649	211580428	GARLK	470163	211580596	GARLK	473016	211580713	GARLK	473229
211580293	GARLK	471689	211580428	GARLK	471766	211580597	GARLK	473016	211580714	GARLK	450185
211580295	GARLK	450593	211580433	GARLK	450177	211580599	GARLK	473225	211580714	GARLK	473229
211580297	GARLK	471733	211580442	GARLK	471808	211580600	GARLK	473225	211580715	GARLK	470682
211580298	GARLK	471733	211580443	GARLK	471808	211580601	GARLK	470062	211580717	GARLK	470682
211580299	GARLK	471744	211580444	GARLK	471808	211580601	GARLK	474264	211580718	GARLK	471316
211580300	GARLK	471744	211580445	GARLK	471818	211580602	GARLK	470062	211580721	GARLK	473441
211580301	GARLK	471760	211580446	GARLK	471818	211580602	GARLK	474264	211580723	GARLK	473441
211580302	GARLK	471760	211580447	GARLK	471818	211580603	GARLK	470062	211580724	GARLK	450273
211580303	GARLK	453165	211580448	GARLK	470050	211580603	GARLK	474264	211580733	GARLK	450065
211580303	GARLK	471619	211580451	GARLK	473424	211580607	GARLK	473226	211580734	GARLK	450065
211580304	GARLK	453165	211580482	GARLK	473210	211580608	GARLK	473226	211580739	GARLK	482253
211580304	GARLK	471619	211580487	GARLK	473421	211580609	GARLK	473226	211580742	GARLK	451469
211580305	GARLK	471076	211580490	GARLK	473211	211580610	GARLK	473437	211580744	GARLK	451469
211580306	GARLK	471076	211580491	GARLK	473211	211580612	GARLK	473437	211580751	GARLK	450274
211580307	GARLK	481650	211580492	GARLK	473211	211580613	GARLK	471862	211580760	GARLK	470358
211580308	GARLK	481650	211580493	GARLK	473212	211580615	GARLK	471862	211580760	GARLK	473231
211580323	GARLK	471651	211580494	GARLK	473212	211580619	GARLK	473438	211580761	GARLK	470358
211580324	GARLK	471651	211580495	GARLK	473212	211580621	GARLK	473438	211580761	GARLK	473231
211580325	GARLK	471705	211580496	GARLK	473213	211580622	GARLK	473439	211580762	GARLK	470358
211580326	GARLK	471705	211580497	GARLK	473213	211580624	GARLK	473439	211580762	GARLK	473231
211580327	GARLK	450043	211580498	GARLK	473213	211580643	GARLK	470548	211580763	GARLK	450066
211580327	GARLK	473419	211580505	GARLK	481834	211580643	GARLK	470625	211580763	GARLK	473367
211580328	GARLK	450043	211580507	GARLK	481834	211580644	GARLK	470548	211580764	GARLK	450066
211580328	GARLK	473419	211580511	GARLK	473435	211580644	GARLK	470625	211580764	GARLK	473367
211580329	GARLK	471735	211580514	GARLK	473436	211580645	GARLK	470548	211580765	GARLK	450066
211580330	GARLK	471735	211580520	GARLK	450054	211580645	GARLK	470625	211580765	GARLK	473367
211580331	GARLK	450342	211580535	GARLK	470403	211580649	GARLK	471820	211580769	GARLK	450194
211580333	GARLK	471762	211580535	GARLK	470774	211580650	GARLK	471820	211580769	GARLK	473010
211580334	GARLK	471762	211580536	GARLK	470403	211580655	GARLK	473228	211580771	GARLK	450194
211580335	GARLK	473420	211580536	GARLK	470774	211580655	GARLK	51098	211580771	GARLK	473010
211580336	GARLK	473420	211580537	GARLK	470403	211580656	GARLK	473228	211580772	GARLK	450069
211580341	GARLK	450044	211580537	GARLK	470774	211580656	GARLK	51098	211580772	GARLK	473232
211580347	GARLK	450159	211580538	GARLK	472287	211580657	GARLK	450067	211580774	GARLK	450069
211580353	GARLK	470189	211580539	GARLK	472287	211580657	GARLK	473228	211580774	GARLK	473232
211580353	GARLK	471692	211580544	GARLK	470169	211580658	GARLK	451857	211580775	GARLK	481864

INTERCHANGE SECTION

COMPETITIVE INTERCHANGES



Mfr No.	Mfr. National	Mfr No.	Mfr. National	Mfr No.	Mfr. National	Mfr No.	Mfr. National
211580777	GARLK 481864	211580906	GARLK 472164	211581048	GARLK 450117	211581165	GARLK 50528
211580781	GARLK 450275	211580907	GARLK 450070	211581048	GARLK 472572	211581166	GARLK 50528
211580782	GARLK 450275	211580907	GARLK 472185	211581050	GARLK 450117	211581167	GARLK 50528
211580783	GARLK 450275	211580909	GARLK 450070	211581050	GARLK 472572	211581171	GARLK 473461
211580787	GARLK 450078	211580909	GARLK 472185	211581051	GARLK 473179	211581174	GARLK 471391
211580787	GARLK 473444	211580910	GARLK 470334	211581052	GARLK 473179	211581180	GARLK 450094
211580788	GARLK 450078	211580911	GARLK 470334	211581053	GARLK 473179	211581180	GARLK 473462
211580788	GARLK 473444	211580912	GARLK 450076	211581054	GARLK 414045	211581186	GARLK 471870
211580789	GARLK 450078	211580912	GARLK 470334	211581057	GARLK 450082	211581186	GARLK 471883
211580789	GARLK 473444	211580913	GARLK 450183	211581057	GARLK 473238	211581187	GARLK 471870
211580790	GARLK 470358	211580913	GARLK 472179	211581058	GARLK 450082	211581187	GARLK 471883
211580790	GARLK 473231	211580914	GARLK 450183	211581058	GARLK 473238	211581188	GARLK 471870
211580792	GARLK 470358	211580914	GARLK 472179	211581059	GARLK 473238	211581188	GARLK 471883
211580792	GARLK 473231	211580915	GARLK 450183	211581060	GARLK 450084	211581189	GARLK 450389
211580793	GARLK 450066	211580915	GARLK 472179	211581062	GARLK 450084	211581189	GARLK 472492
211580793	GARLK 473367	211580916	GARLK 473447	211581063	GARLK 450298	211581190	GARLK 450389
211580799	GARLK 450260	211580918	GARLK 473447	211581063	GARLK 473239	211581190	GARLK 472492
211580805	GARLK 450073	211580919	GARLK 470334	211581065	GARLK 450298	211581191	GARLK 450389
211580820	GARLK 450415	211580919	GARLK 50289	211581065	GARLK 473239	211581191	GARLK 472492
211580826	GARLK 473233	211580921	GARLK 470334	211581066	GARLK 473457	211581198	GARLK 472924
211580827	GARLK 473233	211580921	GARLK 50289	211581069	GARLK 473240	211581199	GARLK 472924
211580828	GARLK 473233	211580922	GARLK 450291	211581071	GARLK 473240	211581200	GARLK 450083
211580829	GARLK 473445	211580922	GARLK 471141	211581075	GARLK 473458	211581200	GARLK 472924
211580835	GARLK 450154	211580923	GARLK 450291	211581076	GARLK 473458	211581201	GARLK 470530
211580835	GARLK 473234	211580923	GARLK 471141	211581078	GARLK 472439	211581203	GARLK 470530
211580836	GARLK 450154	211580924	GARLK 450291	211581081	GARLK 471868	211581204	GARLK 450301
211580836	GARLK 473234	211580924	GARLK 471141	211581084	GARLK 450117	211581204	GARLK 472397
211580837	GARLK 450154	211580925	GARLK 473448	211581084	GARLK 472572	211581205	GARLK 450301
211580837	GARLK 473234	211580927	GARLK 473448	211581090	GARLK 414045	211581205	GARLK 472397
211580838	GARLK 473235	211580928	GARLK 471984	211581105	GARLK 473240	211581206	GARLK 450301
211580840	GARLK 473235	211580930	GARLK 471984	211581114	GARLK 472319	211581206	GARLK 472397
211580841	GARLK 470074	211580931	GARLK 473313	211581116	GARLK 472319	211581207	GARLK 473463
211580841	GARLK 474265	211580933	GARLK 473313	211581117	GARLK 471869	211581209	GARLK 473463
211580842	GARLK 470074	211580940	GARLK 50266	211581117	GARLK 473459	211581210	GARLK 473242
211580842	GARLK 474265	211580943	GARLK 450269	211581119	GARLK 471869	211581212	GARLK 473242
211580843	GARLK 470074	211580946	GARLK 450285	211581119	GARLK 473459	211581216	GARLK 450095
211580843	GARLK 474265	211580949	GARLK 471866	211581120	GARLK 473241	211581216	GARLK 473464
211580844	GARLK 473236	211580951	GARLK 471866	211581122	GARLK 473241	211581217	GARLK 450095
211580845	GARLK 473236	211580958	GARLK 473448	211581129	GARLK 472144	211581217	GARLK 473464
211580846	GARLK 473236	211580961	GARLK 471984	211581130	GARLK 472144	211581218	GARLK 450095
211580853	GARLK 473446	211580964	GARLK 473313	211581131	GARLK 472144	211581218	GARLK 473464
211580854	GARLK 473446	211580976	GARLK 472070	211581132	GARLK 473460	211581222	GARLK 450083
211580855	GARLK 473446	211580978	GARLK 472070	211581134	GARLK 473460	211581222	GARLK 472924
211580859	GARLK 471981	211580979	GARLK 471866	211581135	GARLK 472394	211581225	GARLK 470530
211580861	GARLK 471981	211580982	GARLK 450118	211581137	GARLK 472394	211581228	GARLK 450301
211580862	GARLK 50327	211580982	GARLK 473449	211581138	GARLK 473461	211581228	GARLK 472397
211580871	GARLK 450068	211580984	GARLK 450118	211581139	GARLK 473461	211581231	GARLK 473463
211580886	GARLK 50081	211580984	GARLK 473449	211581141	GARLK 471391	211581240	GARLK 450095
211580887	GARLK 50081	211580987	GARLK 480281	211581142	GARLK 471391	211581240	GARLK 473464
211580895	GARLK 470086	211580988	GARLK 450269	211581143	GARLK 471391	211581246	GARLK 412027
211580898	GARLK 470351	211580991	GARLK 473450	211581147	GARLK 450094	211581252	GARLK 451948
211580898	GARLK 471504	211581006	GARLK 473451	211581147	GARLK 473462	211581253	GARLK 451948
211580899	GARLK 470351	211581012	GARLK 473452	211581148	GARLK 450094	211581254	GARLK 451948
211580899	GARLK 471504	211581021	GARLK 473453	211581148	GARLK 473462	211581255	GARLK 473466
211580900	GARLK 470351	211581023	GARLK 473453	211581149	GARLK 450094	211581258	GARLK 472012
211580900	GARLK 471504	211581042	GARLK 472439	211581149	GARLK 473462	211581260	GARLK 472012
211580904	GARLK 450494	211581043	GARLK 472439	211581150	GARLK 450472	211581261	GARLK 450307
211580904	GARLK 472164	211581044	GARLK 472439	211581153	GARLK 473241	211581263	GARLK 450307
211580905	GARLK 451147H	211581045	GARLK 471868	211581154	GARLK 473241	211581264	GARLK 450311
211580906	GARLK 450352	211581047	GARLK 471868	211581162	GARLK 450474	211581266	GARLK 450311

INTERCHANGE SECTION

COMPETITIVE INTERCHANGES

Mfr No.	Mfr.	National	Mfr No.	Mfr.	National	Mfr No.	Mfr.	National	Mfr No.	Mfr.	National
211581270	GARLK	416738	211581399	GARLK	473244	211581500	GARLK	412920	211581659	GARLK	450101
211581270	GARLK	450096	211581400	GARLK	450489	211581500	GARLK	450132	211581660	GARLK	413247
211581276	GARLK	450313	211581400	GARLK	473244	211581501	GARLK	455136	211581660	GARLK	450350
211581278	GARLK	450313	211581401	GARLK	450489	211581504	GARLK	411376	211581661	GARLK	413247
211581282	GARLK	451948	211581401	GARLK	473244	211581504	GARLK	455093	211581661	GARLK	450350
211581285	GARLK	473466	211581402	GARLK	472018	211581505	GARLK	411376	211581662	GARLK	413247
211581288	GARLK	472012	211581403	GARLK	472018	211581505	GARLK	455093	211581662	GARLK	450350
211581291	GARLK	450307	211581404	GARLK	472018	211581506	GARLK	411376	211581663	GARLK	410987
211581294	GARLK	450311	211581405	GARLK	473471	211581506	GARLK	455093	211581663	GARLK	450103
211581300	GARLK	416738	211581406	GARLK	473471	211581507	GARLK	472299	211581666	GARLK	416271
211581300	GARLK	450096	211581407	GARLK	473471	211581510	GARLK	410520	211581668	GARLK	416271
211581306	GARLK	450313	211581408	GARLK	472020	211581510	GARLK	471272	211581669	GARLK	412861
211581312	GARLK	450343	211581410	GARLK	472020	211581522	GARLK	410737	211581671	GARLK	412861
211581321	GARLK	450867	211581414	GARLK	470354	211581522	GARLK	450737	211581672	GARLK	410825
211581321	GARLK	470898	211581415	GARLK	470354	211581528	GARLK	470645	211581675	GARLK	416071
211581322	GARLK	450867	211581416	GARLK	470354	211581531	GARLK	411253	211581677	GARLK	416071
211581322	GARLK	470898	211581420	GARLK	473245	211581531	GARLK	450099	211581678	GARLK	417480
211581323	GARLK	450365	211581422	GARLK	470351	211581534	GARLK	412920	211581678	GARLK	455860
211581323	GARLK	470898	211581422	GARLK	471504	211581534	GARLK	450132	211581679	GARLK	417480
211581324	GARLK	450115	211581423	GARLK	412943	211581537	GARLK	455136	211581679	GARLK	455860
211581324	GARLK	473467	211581425	GARLK	412943	211581540	GARLK	411376	211581680	GARLK	417480
211581326	GARLK	450115	211581426	GARLK	413472	211581540	GARLK	455093	211581680	GARLK	455860
211581326	GARLK	473467	211581428	GARLK	413472	211581546	GARLK	415234	211581687	GARLK	473475
211581327	GARLK	472015	211581432	GARLK	416268	211581549	GARLK	415259	211581693	GARLK	413246
211581328	GARLK	472015	211581434	GARLK	416268	211581561	GARLK	472150	211581693	GARLK	413246N
211581329	GARLK	472015	211581435	GARLK	472234	211581563	GARLK	472150	211581696	GARLK	412119
211581330	GARLK	410308	211581438	GARLK	472018	211581573	GARLK	411394	211581696	GARLK	450101
211581330	GARLK	450308	211581441	GARLK	473471	211581573	GARLK	450317	211581699	GARLK	413247
211581331	GARLK	410308	211581444	GARLK	472020	211581575	GARLK	411394	211581699	GARLK	450350
211581331	GARLK	450308	211581450	GARLK	470354	211581575	GARLK	450317	211581705	GARLK	416271
211581332	GARLK	410308	211581471	GARLK	471341	211581576	GARLK	410694	211581714	GARLK	416071
211581332	GARLK	450308	211581473	GARLK	450441	211581578	GARLK	410694	211581723	GARLK	471887
211581333	GARLK	410312N	211581473	GARLK	471341	211581579	GARLK	450133	211581725	GARLK	471887
211581334	GARLK	410312N	211581474	GARLK	410520	211581581	GARLK	450133	211581735	GARLK	412040
211581335	GARLK	410312N	211581474	GARLK	471272	211581585	GARLK	416444	211581737	GARLK	412040
211581339	GARLK	450121	211581475	GARLK	410520	211581587	GARLK	416444	211581738	GARLK	411500
211581339	GARLK	472409	211581475	GARLK	471272	211581594	GARLK	455321	211581740	GARLK	411500
211581341	GARLK	450121	211581476	GARLK	410520	211581596	GARLK	455321	211581741	GARLK	413478
211581341	GARLK	472409	211581476	GARLK	471272	211581600	GARLK	472150	211581742	GARLK	413478
211581345	GARLK	473243	211581477	GARLK	473473	211581602	GARLK	472150	211581743	GARLK	413478
211581346	GARLK	473243	211581479	GARLK	473473	211581612	GARLK	411394	211581744	GARLK	450104
211581347	GARLK	473243	211581480	GARLK	471138	211581612	GARLK	450317	211581745	GARLK	450104
211581348	GARLK	413469	211581481	GARLK	471138	211581633	GARLK	455321	211581746	GARLK	450104
211581349	GARLK	413469	211581482	GARLK	471138	211581639	GARLK	473474	211581747	GARLK	411245
211581350	GARLK	413469	211581486	GARLK	410737	211581641	GARLK	473474	211581747	GARLK	455096
211581357	GARLK	416267	211581486	GARLK	450737	211581642	GARLK	470565	211581749	GARLK	411245
211581359	GARLK	416267	211581492	GARLK	472636	211581644	GARLK	470565	211581749	GARLK	455096
211581363	GARLK	450115	211581493	GARLK	472636	211581648	GARLK	473475	211581750	GARLK	417073
211581363	GARLK	473467	211581494	GARLK	450316	211581650	GARLK	473475	211581751	GARLK	417073
211581365	GARLK	450115	211581494	GARLK	472636	211581654	GARLK	413246	211581752	GARLK	417073
211581365	GARLK	473467	211581495	GARLK	411253	211581654	GARLK	413246N	211581771	GARLK	412040
211581369	GARLK	410308	211581495	GARLK	450099	211581655	GARLK	413246	211581780	GARLK	450104
211581369	GARLK	450308	211581496	GARLK	411253	211581655	GARLK	413246N	211581783	GARLK	411245
211581372	GARLK	410312N	211581496	GARLK	450099	211581656	GARLK	413246	211581783	GARLK	455096
211581378	GARLK	450621	211581497	GARLK	411253	211581656	GARLK	413246N	211581801	GARLK	472029
211581384	GARLK	450869	211581497	GARLK	450099	211581657	GARLK	412119	211581802	GARLK	472029
211581385	GARLK	450869	211581498	GARLK	412920	211581657	GARLK	450101	211581803	GARLK	472029
211581396	GARLK	416267	211581498	GARLK	450132	211581658	GARLK	412119	211581806	GARLK	410752
211581398	GARLK	416267	211581499	GARLK	412920	211581658	GARLK	450101	211581807	GARLK	471271
211581399	GARLK	450489	211581499	GARLK	450132	211581659	GARLK	412119	211581808	GARLK	471271

INTERCHANGE SECTION

COMPETITIVE INTERCHANGES



Mfr No.	Mfr. National	Mfr No.	Mfr. National	Mfr No.	Mfr. National	Mfr No.	Mfr. National
211581809	GARLK 450519	211581932	GARLK 412871	211582044	GARLK 455004	211582149	GARLK 417159
211581809	GARLK 471271	211581932	GARLK 450329	211582045	GARLK 417316	211582150	GARLK 417159
211581810	GARLK 410496	211581933	GARLK 413248	211582045	GARLK 455004	211582151	GARLK 417159
211581812	GARLK 410496	211581935	GARLK 413248	211582046	GARLK 417316	211582152	GARLK 416654
211581813	GARLK 470605	211581936	GARLK 450412	211582046	GARLK 455004	211582152	GARLK 455012
211581815	GARLK 470605	211581939	GARLK 415483	211582047	GARLK 415960	211582153	GARLK 416654
211581819	GARLK 415449	211581939	GARLK 455368	211582047	GARLK 455009	211582153	GARLK 455012
211581820	GARLK 415449	211581941	GARLK 415483	211582048	GARLK 415960	211582154	GARLK 416654
211581821	GARLK 415449	211581941	GARLK 455368	211582048	GARLK 455009	211582154	GARLK 455012
211581821	GARLK 455147	211581945	GARLK 415458	211582049	GARLK 415960	211582155	GARLK 417486
211581822	GARLK 415001	211581945	GARLK 455003	211582049	GARLK 455009	211582157	GARLK 416956
211581822	GARLK 455001	211581946	GARLK 415458	211582050	GARLK 416706	211582160	GARLK 417159
211581823	GARLK 415001	211581946	GARLK 455003	211582050	GARLK 455272	211582163	GARLK 416654
211581823	GARLK 455001	211581947	GARLK 415458	211582052	GARLK 416706	211582163	GARLK 455012
211581824	GARLK 415001	211581947	GARLK 455003	211582052	GARLK 455272	211582166	GARLK 417486
211581824	GARLK 455001	211581948	GARLK 417343	211582059	GARLK 417484N	211582168	GARLK 415281N
211581825	GARLK 416273	211581950	GARLK 417343	211582059	GARLK 455322	211582169	GARLK 415281N
211581826	GARLK 416273	211581951	GARLK 415007	211582062	GARLK 415984	211582170	GARLK 415281N
211581827	GARLK 416273	211581952	GARLK 415007	211582065	GARLK 417316	211582171	GARLK 417350
211581828	GARLK 455079	211581954	GARLK 417082	211582065	GARLK 455004	211582171	GARLK 455479
211581830	GARLK 455079	211581955	GARLK 417082	211582067	GARLK 417316	211582172	GARLK 417350
211581831	GARLK 415082	211581956	GARLK 417082	211582067	GARLK 455004	211582172	GARLK 455479
211581834	GARLK 455655	211581960	GARLK 413248	211582068	GARLK 415960	211582173	GARLK 417350
211581836	GARLK 455655	211581966	GARLK 415483	211582068	GARLK 455009	211582173	GARLK 455479
211581840	GARLK 450519	211581966	GARLK 455368	211582086	GARLK 455005	211582174	GARLK 415995
211581840	GARLK 471271	211581972	GARLK 415458	211582088	GARLK 455005	211582174	GARLK 455013
211581841	GARLK 450519	211581972	GARLK 455003	211582089	GARLK 417485	211582175	GARLK 415995
211581841	GARLK 471271	211581975	GARLK 417343	211582090	GARLK 417485	211582175	GARLK 455013
211581852	GARLK 415449	211581978	GARLK 415007	211582091	GARLK 417485	211582176	GARLK 415995
211581852	GARLK 455147	211581981	GARLK 417082	211582092	GARLK 475384	211582176	GARLK 455013
211581855	GARLK 415001	211581993	GARLK 455434	211582093	GARLK 475384	211582189	GARLK 55548
211581855	GARLK 455001	211581994	GARLK 455434	211582094	GARLK 475384	211582190	GARLK 55548
211581857	GARLK 415001	211582002	GARLK 455151	211582101	GARLK 455005	211582191	GARLK 55548
211581857	GARLK 455001	211582003	GARLK 455151	211582103	GARLK 455005	211582196	GARLK 455820
211581858	GARLK 416273	211582004	GARLK 455151	211582104	GARLK 417485	211582197	GARLK 455820
211581861	GARLK 455079	211582005	GARLK 455008	211582115	GARLK 415303	211582223	GARLK 455020
211581882	GARLK 413479	211582006	GARLK 455008	211582117	GARLK 415303	211582224	GARLK 455020
211581885	GARLK 415302	211582007	GARLK 455008	211582118	GARLK 417344	211582225	GARLK 416011
211581886	GARLK 415302	211582014	GARLK 455434	211582118	GARLK 455006	211582225	GARLK 417621
211581887	GARLK 415302	211582023	GARLK 455151	211582120	GARLK 417344	211582436	GARLK 415832
211581888	GARLK 455311	211582025	GARLK 455151	211582120	GARLK 455006	211582437	GARLK 415832
211581890	GARLK 455311	211582026	GARLK 455008	211582121	GARLK 416404	211582510	GARLK 417366
211581891	GARLK 415988	211582028	GARLK 455008	211582122	GARLK 416404	211582513	GARLK 415958
211581892	GARLK 415988	211582032	GARLK 480491	211582123	GARLK 416404	211582513	GARLK 455958
211581893	GARLK 415988	211582034	GARLK 480491	211582124	GARLK 416921	211582706	GARLK 417238
211581894	GARLK 417481	211582035	GARLK 416664	211582124	GARLK 455011	211582707	GARLK 417238
211581896	GARLK 417481	211582035	GARLK 455364	211582125	GARLK 416921	211582994	GARLK 417258
211581897	GARLK 455280	211582036	GARLK 416664	211582125	GARLK 455011	211582995	GARLK 417258
211581899	GARLK 455280	211582036	GARLK 455364	211582126	GARLK 416921	211583547	GARLK 415482
211581909	GARLK 411330N	211582037	GARLK 416664	211582126	GARLK 455011	211583552	GARLK 415551
211581912	GARLK 415302	211582037	GARLK 455364	211582127	GARLK 417134	211583863	GARLK 350435
211581915	GARLK 455311	211582038	GARLK 417484N	211582128	GARLK 417134	211583869	GARLK 472705
211581918	GARLK 415988	211582038	GARLK 455322	211582132	GARLK 417344	211583871	GARLK 450342
211581921	GARLK 417481	211582039	GARLK 417484N	211582132	GARLK 455006	211583872	GARLK 471747
211581924	GARLK 455280	211582039	GARLK 455322	211582135	GARLK 416404	211583872	GARLK 472674
211581926	GARLK 455280	211582040	GARLK 417484N	211582138	GARLK 416921	211583873	GARLK 471747
211581927	GARLK 412871	211582040	GARLK 455322	211582138	GARLK 455011	211583873	GARLK 472674
211581927	GARLK 450329	211582041	GARLK 415984	211582146	GARLK 416956	211583874	GARLK 471747
211581930	GARLK 412871	211582043	GARLK 415984	211582147	GARLK 416956	211583874	GARLK 472674
211581930	GARLK 450329	211582044	GARLK 417316	211582148	GARLK 416956	211583876	GARLK 473425

INTERCHANGE SECTION

COMPETITIVE INTERCHANGES

Mfr No.	Mfr.	National	Mfr No.	Mfr.	National	Mfr No.	Mfr.	National	Mfr No.	Mfr.	National
211583879	GARLK	472536	211584691	GARLK	473475	211584838F1	GARLK	413469	211585005	GARLK	472179
211583880	GARLK	471344	211584693	GARLK	472144	211584844	GARLK	415001	211585007	GARLK	472287
211583883	GARLK	473442	211584695	GARLK	416229	211584844	GARLK	455001	211585008	GARLK	415437
211583885	GARLK	470088	211584710	GARLK	455026	211584847	GARLK	450431	211585008	GARLK	455173
211583887	GARLK	471841	211584712	GARLK	456105	211584847	GARLK	471539	211585025	GARLK	416288
211583889	GARLK	450965	211584717	GARLK	455019	211584854	GARLK	415035	211585028	GARLK	455476
211583902	GARLK	455080	211584718	GARLK	473212	211584854	GARLK	415953	211585030	GARLK	415023
211583904	GARLK	472234	211584720	GARLK	416107	211584855	GARLK	481537	211585031	GARLK	415072
211583949	GARLK	455966	211584720	GARLK	455073	211584861	GARLK	473226	211585041	GARLK	471538
211584484	GARLK	455396	211584723	GARLK	417134	211584862	GARLK	471870	211585041F1	GARLK	471538
211584560	GARLK	415294	211584727	GARLK	416865	211584862	GARLK	471883	211585043	GARLK	415371
211584560	GARLK	455294	211584729	GARLK	457874	211584865	GARLK	417254	211585049	GARLK	415034
211584579	GARLK	470088	211584732	GARLK	417196	211584871	GARLK	470954	211585049	GARLK	455034
211584580	GARLK	415023	211584734	GARLK	415082	211584872	GARLK	417597	211585050	GARLK	350364
211584584	GARLK	472658	211584735	GARLK	411376	211584873	GARLK	416888	211585051	GARLK	417539
211584584	GARLK	473197	211584735	GARLK	455093	211584873	GARLK	455200	211585053	GARLK	473242
211584586	GARLK	471570	211584735F1	GARLK	411376	211584876	GARLK	455406	211585059	GARLK	417351
211584589	GARLK	450400	211584736	GARLK	55028	211584878	GARLK	417602	211585059	GARLK	455154
211584590	GARLK	450352	211584738	GARLK	416011	211584882	GARLK	417262	211585060	GARLK	455336
211584590	GARLK	472164	211584738	GARLK	417621	211584882	GARLK	455448	211585061	GARLK	415483
211584592	GARLK	450365	211584740	GARLK	414045	211584883	GARLK	417269	211585061	GARLK	455368
211584592	GARLK	470898	211584745	GARLK	415991	211584891	GARLK	471862	211585063	GARLK	55028
211584593	GARLK	411330N	211584745	GARLK	455146	211584897	GARLK	415025	211585066	GARLK	415045
211584600	GARLK	472432	211584752	GARLK	417512	211584899	GARLK	455536	211585078	GARLK	450301
211584600	GARLK	474256	211584754	GARLK	470027	211584900	GARLK	471391	211585078	GARLK	472397
211584603	GARLK	471231	211584754	GARLK	471554	211584902	GARLK	417269	211585079	GARLK	416339
211584605	GARLK	470027	211584766	GARLK	450069	211584904	GARLK	416556	211585079	GARLK	455031
211584605	GARLK	471554	211584766	GARLK	473232	211584904	GARLK	472157	211585208F1	GARLK	417211
211584610	GARLK	415871	211584766R1	GARLK	473232	211584908F1	GARLK	471529	211585256F1	GARLK	472179
211584640	GARLK	415991	211584768	GARLK	415482	211584912	GARLK	415150	211585268F1	GARLK	473440
211584640	GARLK	455146	211584771	GARLK	416892	211584914	GARLK	416271	211585283F1	GARLK	472492
211584645	GARLK	450143	211584772	GARLK	416345	211584916	GARLK	450365	211585295	GARLK	471744
211584646	GARLK	412119	211584772	GARLK	455033	211584916	GARLK	470898	211585387F1	GARLK	415449
211584646	GARLK	450101	211584774	GARLK	55078S	211584924	GARLK	417597	211585387R1	GARLK	415449
211584651	GARLK	415035	211584775	GARLK	417526	211584925	GARLK	417606	211585393	GARLK	450066
211584651	GARLK	455035	211584780	GARLK	416892	211584928	GARLK	416154	211585393	GARLK	473367
211584652	GARLK	416239	211584781	GARLK	471549	211584929	GARLK	455462	211585394F1	GARLK	471785
211584654	GARLK	417172	211584783	GARLK	417541	211584934	GARLK	415066	211585398	GARLK	412871
211584659	GARLK	450489	211584784	GARLK	415072	211584938	GARLK	412920	211585398	GARLK	450329
211584659	GARLK	473244	211584785	GARLK	415124	211584938	GARLK	450132	211585496	GARLK	473439
211584665	GARLK	450316	211584787	GARLK	476470	211584938F1	GARLK	412920	211585501	GARLK	450523
211584665	GARLK	472636	211584788	GARLK	415066	211584945	GARLK	416738	211585560	GARLK	411253
211584667	GARLK	55548	211584789	GARLK	415327	211584945	GARLK	450096	211585560	GARLK	450099
211584668	GARLK	417541	211584790	GARLK	416288	211584958	GARLK	411394	211585581	GARLK	415458
211584669	GARLK	416892	211584792	GARLK	471354	211584958	GARLK	450317	211585656	GARLK	473426
211584670	GARLK	450083	211584800	GARLK	417020	211584959	GARLK	416268	211585657F1	GARLK	471466
211584670	GARLK	472924	211584801	GARLK	415227	211584966	GARLK	417247	211585704	GARLK	471737
211584671	GARLK	470351	211584802	GARLK	450545	211584967	GARLK	417549	211585886	GARLK	455008
211584671	GARLK	471504	211584804	GARLK	417487	211584968	GARLK	416144	211585887	GARLK	473446
211584672	GARLK	450352	211584804	GARLK	455086	211584976	GARLK	472843	211585892	GARLK	416888
211584672	GARLK	472164	211584806	GARLK	455129	211584982	GARLK	417547	211585892	GARLK	455200
211584677	GARLK	472560N	211584808	GARLK	417247	211584987	GARLK	415458	211585893	GARLK	472810
211584677	GARLK	50151S	211584809	GARLK	415294	211584987	GARLK	455003	211585897	GARLK	455080
211584681	GARLK	415124	211584809	GARLK	455294	211584988	GARLK	470403	211585900	GARLK	473466
211584682	GARLK	417351	211584825	GARLK	417254	211584988	GARLK	470774	211585906	GARLK	417020
211584682	GARLK	455154	211584828	GARLK	416865	211584991	GARLK	455480	211585907	GARLK	416404
211584686	GARLK	417344	211584832	GARLK	415303	211584992	GARLK	473237	211585912	GARLK	417548
211584686	GARLK	455006	211584836	GARLK	417247	211584998	GARLK	417486	211585913	GARLK	472018
211584688	GARLK	415645	211584837	GARLK	415196	211585002	GARLK	415683	211585914	GARLK	450194
211584688	GARLK	455104	211584838	GARLK	413469	211585005	GARLK	450183	211585914	GARLK	473010

INTERCHANGE SECTION

COMPETITIVE INTERCHANGES



Mfr No.	Mfr. National	Mfr No.	Mfr. National	Mfr No.	Mfr. National	Mfr No.	Mfr. National
211585920	GARLK 417567	211586361	GARLK 415196	211586475	GARLK 471835	211586576	GARLK 470403
211585922	GARLK 415281N	211586363	GARLK 416888	211586478	GARLK 410520	211586576	GARLK 470774
211585925	GARLK 417486	211586363	GARLK 455200	211586478	GARLK 471272	211586578	GARLK 415449
211585929	GARLK 415551	211586365	GARLK 415725	211586479R1	GARLK 471192	211586578	GARLK 455147
211585930	GARLK 417211	211586366	GARLK 417549	211586484	GARLK 416666	211586581	GARLK 417603
211585933	GARLK 55301S	211586369	GARLK 417515	211586487	GARLK 471887	211586584	GARLK 455018
211585937	GARLK 482310	211586370	GARLK 416229	211586489	GARLK 455018	211586584	GARLK 476470
211585938	GARLK 415371	211586374	GARLK 416364	211586489	GARLK 476470	211586585	GARLK 455655
211585945	GARLK 417278	211586375	GARLK 416239	211586497	GARLK 417487	211586586	GARLK 415090
211585947	GARLK 411253	211586378	GARLK 415867	211586497	GARLK 455014	211586588	GARLK 416654
211585947	GARLK 450099	211586385	GARLK 417603	211586499	GARLK 417487	211586588	GARLK 455012
211585948	GARLK 415984	211586387	GARLK 55301S	211586499	GARLK 455014	211586588R1	GARLK 416654
211585953	GARLK 417357	211586391	GARLK 417605	211586500	GARLK 471267	211586590	GARLK 416047
211585953	GARLK 455192	211586395	GARLK 415482	211586502	GARLK 416288	211586590	GARLK 416332
211585957	GARLK 471413	211586413	GARLK 417247	211586506	GARLK 450519	211586592	GARLK 473450
211585959	GARLK 415090	211586414	GARLK 473460	211586506	GARLK 471271	211586593	GARLK 472015
211585960	GARLK 417606	211586415	GARLK 470027	211586506F1	GARLK 471271	211586599	GARLK 416921
211585966	GARLK 450183	211586415	GARLK 471554	211586510	GARLK 417600	211586599	GARLK 455011
211585966	GARLK 472179	211586418	GARLK 415295	211586511	GARLK 415088	211586600	GARLK 416345
211585968	GARLK 473474	211586422	GARLK 417598	211586511	GARLK 455088	211586600	GARLK 455033
211585969	GARLK 455509	211586431	GARLK 455022	211586513	GARLK 416167	211586602	GARLK 457874
211585978	GARLK 473380	211586433	GARLK 416364	211586513	GARLK 455091	211586603	GARLK 415725
211585980	GARLK 412119	211586434	GARLK 417357	211586515	GARLK 455434	211586604	GARLK 472015
211585980	GARLK 450101	211586434	GARLK 455192	211586516	GARLK 470358	211586605	GARLK 473243
211585981	GARLK 55078S	211586437	GARLK 416239	211586516	GARLK 473231	211586608	GARLK 471870
211585983	GARLK 415036	211586438	GARLK 450301	211586517	GARLK 471808	211586608	GARLK 471883
211586028F1	GARLK 472185	211586438	GARLK 472397	211586521	GARLK 455462	211586610	GARLK 450067
211586062	GARLK 472810	211586438R1	GARLK 472397	211586522	GARLK 471984	211586610	GARLK 473228
211586099	GARLK 481397	211586439	GARLK 417350	211586522R1	GARLK 471984	211586616	GARLK 455476
211586127	GARLK 471231	211586439	GARLK 455479	211586523	GARLK 471267	211586632	GARLK 455151
211586141F1	GARLK 473244	211586440	GARLK 410520	211586523F1	GARLK 471267	211586634	GARLK 415116
211586192	GARLK 470806	211586440	GARLK 471272	211586524F1	GARLK 471649	211586635	GARLK 417542
211586224	GARLK 480630	211586444	GARLK 416654	211586528	GARLK 418028	211586638	GARLK 473240
211586224	GARLK 480991	211586444	GARLK 455012	211586528	GARLK 455137	211586639	GARLK 472658
211586230	GARLK 470358	211586446	GARLK 412473	211586529	GARLK 473224	211586639	GARLK 473197
211586230	GARLK 473231	211586446	GARLK 415894	211586530	GARLK 415072	211586640	GARLK 415725
211586231	GARLK 470358	211586450	GARLK 453165	211586534	GARLK 415991	211586644	GARLK 457874
211586231	GARLK 473231	211586450	GARLK 471619	211586534	GARLK 455146	211586645	GARLK 415991
211586245	GARLK 450400	211586451	GARLK 417488	211586541	GARLK 411245	211586645	GARLK 455146
211586252	GARLK 450494	211586456	GARLK 415449	211586541	GARLK 455096	211586651	GARLK 417343
211586252	GARLK 472164	211586456	GARLK 455147	211586545	GARLK 415711	211586652	GARLK 417496
211586266	GARLK 417474	211586459F1	GARLK 470565	211586546	GARLK 472439	211586654	GARLK 472138
211586271	GARLK 470625	211586461	GARLK 456105	211586547	GARLK 473237	211586658	GARLK 471276
211586272	GARLK 450389	211586462	GARLK 473225	211586548	GARLK 473243	211586664	GARLK 415379
211586272	GARLK 472492	211586465	GARLK 415147	211586549	GARLK 473405	211586664	GARLK 455379
211586289	GARLK 471498	211586465	GARLK 415449	211586550	GARLK 417605	211586665	GARLK 417541
211586300	GARLK 476514	211586465R1	GARLK 415147	211586551	GARLK 450067	211586667R1	GARLK 470380
211586328	GARLK 416011	211586465R1	GARLK 415449	211586551	GARLK 473228	211586668	GARLK 413478
211586328	GARLK 417621	211586466	GARLK 471763	211586551R1	GARLK 473228	211586670	GARLK 415294
211586333	GARLK 455330	211586467	GARLK 417316	211586554	GARLK 473236	211586670	GARLK 455294
211586335	GARLK 455583N	211586467	GARLK 455004	211586556	GARLK 417357	211586675R1	GARLK 471801
211586340	GARLK 417600	211586468	GARLK 416071	211586556	GARLK 455192	211586678	GARLK 417082
211586353	GARLK 473405	211586469	GARLK 472394	211586560	GARLK 412040	211586679	GARLK 417191
211586356	GARLK 476470	211586469R1	GARLK 472394	211586563	GARLK 415045	211586680	GARLK 416921
211586358	GARLK 415991	211586470	GARLK 471689	211586564	GARLK 415551	211586680	GARLK 455011
211586358	GARLK 455146	211586470F1	GARLK 471689	211586565	GARLK 417357	211586680F1	GARLK 416921
211586359	GARLK 416047	211586471	GARLK 417316	211586565	GARLK 455192	211586682	GARLK 450316
211586359	GARLK 416332	211586471	GARLK 455004	211586568	GARLK 415035	211586682	GARLK 472636
211586360	GARLK 415035	211586474	GARLK 470682	211586568	GARLK 455035	211586687	GARLK 415077
211586360	GARLK 455035	211586475	GARLK 450444	211586573	GARLK 415090	211586692	GARLK 417355

INTERCHANGE SECTION

COMPETITIVE INTERCHANGES

Mfr No.	Mfr.	National	Mfr No.	Mfr.	National	Mfr No.	Mfr.	National	Mfr No.	Mfr.	National
2115867	GARLK	471281	211586799	GARLK	415035	211586927	GARLK	471554	211587120	GARLK	417366
211586700	GARLK	415302	211586799	GARLK	415953	211586927F1	GARLK	471554	211587121	GARLK	473437
211586700F1	GARLK	415302	2115868	GARLK	471281	211586934	GARLK	473235	211587125	GARLK	470358
211586701	GARLK	470169	211586800	GARLK	417082	211586937	GARLK	470548	211587125	GARLK	473231
211586701	GARLK	473214	211586802	GARLK	455480	211586937	GARLK	470625	211587126	GARLK	470596
211586705	GARLK	470064	211586806	GARLK	416339	211586937R1	GARLK	470625	211587128	GARLK	416666
211586705	GARLK	471821	211586806	GARLK	455031	211586938	GARLK	417269	211587130	GARLK	471316
211586706	GARLK	450095	211586832	GARLK	450183	211586939	GARLK	417541	211587134	GARLK	416154
211586706	GARLK	473464	211586832	GARLK	472179	211586946	GARLK	417539	211587140	GARLK	472029
211586707	GARLK	417554	211586832R1	GARLK	472179	211586947	GARLK	416364	211587141	GARLK	416556
211586708	GARLK	455018	211586833	GARLK	417606	211586949	GARLK	415138	211587141	GARLK	472157
211586708	GARLK	476470	211586835	GARLK	417509	211586950	GARLK	450869	211587145	GARLK	472012
211586711	GARLK	415725	211586838	GARLK	9568	211586952	GARLK	417362	211587145F1	GARLK	472012
211586713	GARLK	417601	211586839	GARLK	476470	211586955	GARLK	450291	211587146	GARLK	350435
211586714	GARLK	415988	211586840	GARLK	417506	211586955	GARLK	471141	211587152	GARLK	450066
211586716	GARLK	416664	211586842	GARLK	417020	211586957	GARLK	470354	211587152	GARLK	473367
211586716	GARLK	455364	211586847	GARLK	417526	211586959	GARLK	455476	211587152F1	GARLK	471419
211586722	GARLK	417601	211586853	GARLK	472394	211586961	GARLK	470062	211587152F1	GARLK	473367
211586723	GARLK	417488	211586857	GARLK	470189	211586961	GARLK	474264	211587153	GARLK	417350
211586730	GARLK	417344	211586857	GARLK	471692	211586966	GARLK	455655	211587153	GARLK	455479
211586730	GARLK	455006	211586860	GARLK	450194	211586968	GARLK	415021	211587154	GARLK	415036
211586730R1	GARLK	417344	211586860	GARLK	473010	211586971	GARLK	471558	211587155	GARLK	415072
211586732	GARLK	471760	211586860R1	GARLK	473010	211586975	GARLK	9568	211587159	GARLK	455005
211586733	GARLK	330385	211586860T2	GARLK	473010	211586978	GARLK	415196	211587160	GARLK	410312N
211586734	GARLK	416154	211586864	GARLK	417073	211586981	GARLK	455194	211587162	GARLK	415351
211586739	GARLK	416011	211586865	GARLK	417481	211586982	GARLK	416345	211587164	GARLK	473455
211586739	GARLK	417621	211586866	GARLK	412871	211586982	GARLK	455033	211587165	GARLK	416891
211586741	GARLK	417254	211586866	GARLK	450329	211586984	GARLK	471564	211587174	GARLK	472018
211586741F1	GARLK	417254	211586868	GARLK	417351	211586990	GARLK	415035	211587177	GARLK	416706
211586744F1	GARLK	471981	211586868	GARLK	455154	211586990	GARLK	415953	211587177	GARLK	455272
211586745	GARLK	470163	211586870	GARLK	455134	211586991	GARLK	416125	211587186	GARLK	471760
211586745	GARLK	471766	211586871	GARLK	417515	211586992	GARLK	470045	211587187	GARLK	415483
211586745R1	GARLK	471766	211586872	GARLK	417362	211586992	GARLK	476838	211587187	GARLK	455368
211586746	GARLK	415683	211586888	GARLK	471584	211586993F1	GARLK	471765	211587192	GARLK	415379
211586750	GARLK	415645	211586892	GARLK	416239	211586995	GARLK	471138	211587192	GARLK	455379
211586750	GARLK	455104	211586893	GARLK	416865	2115870	GARLK	471535	211587194	GARLK	412473
211586753	GARLK	470074	211586895	GARLK	455406	211587007	GARLK	472810	211587194	GARLK	415894
211586753	GARLK	474265	211586896	GARLK	481073	211587039	GARLK	450431	211587196	GARLK	415960
211586755F1	GARLK	471224	211586898	GARLK	470565	211587039	GARLK	471539	211587196	GARLK	455009
211586757	GARLK	411376	211586898R1	GARLK	470565	211587060	GARLK	472432	211587197	GARLK	415995
211586757	GARLK	455093	211586899	GARLK	450185	211587060	GARLK	474256	211587197	GARLK	455013
211586760	GARLK	417603	211586899	GARLK	473229	211587069	GARLK	470403	211587197T2	GARLK	415836
211586762	GARLK	417134	2115869	GARLK	471535	211587069	GARLK	470774	211587197T2	GARLK	415995
211586764	GARLK	455015	211586900	GARLK	417316	211587072	GARLK	470062	211587199	GARLK	417487
211586765	GARLK	417278	211586900	GARLK	455004	211587072	GARLK	474264	211587199	GARLK	455014
211586767	GARLK	415035	211586901	GARLK	416047	211587081	GARLK	473237	211587205	GARLK	416153
211586767	GARLK	415953	211586901	GARLK	416332	211587090	GARLK	450519	211587206	GARLK	415711
211586768	GARLK	417020	211586904	GARLK	450301	211587090	GARLK	471271	211587210	GARLK	455151
211586770	GARLK	417604	211586904	GARLK	472397	211587091	GARLK	415082	211587215R1	GARLK	471689
211586773	GARLK	415551	211586904F1	GARLK	472397	211587099	GARLK	450083	211587220	GARLK	455191
211586774	GARLK	470169	211586907	GARLK	415027	211587099	GARLK	472924	211587221	GARLK	416313
211586774	GARLK	473214	211586914	GARLK	416476	211587099F1	GARLK	472924	211587223	GARLK	472319
211586774R1	GARLK	473214	211586914	GARLK	455075	211587101	GARLK	417604	211587224	GARLK	415001
211586794	GARLK	450066	211586917	GARLK	417525	211587104	GARLK	415458	211587224	GARLK	455001
211586794	GARLK	473367	211586920	GARLK	415294	211587104	GARLK	455003	211587226	GARLK	470062
211586795	GARLK	450441	211586920	GARLK	455294	211587110	GARLK	416888	211587226	GARLK	474264
211586795	GARLK	471341	211586921	GARLK	455462	211587110	GARLK	455200	211587229	GARLK	455189
211586796	GARLK	417362	211586923	GARLK	415711	211587114	GARLK	415551	211587230	GARLK	415437
211586797	GARLK	455330	211586924	GARLK	416666	211587115	GARLK	415991	211587230	GARLK	455173
211586798	GARLK	415559	211586927	GARLK	470027	211587115	GARLK	455146	211587231	GARLK	417354

INTERCHANGE SECTION

COMPETITIVE INTERCHANGES



Mfr No.	Mfr. National	Mfr No.	Mfr. National	Mfr No.	Mfr. National	Mfr No.	Mfr. National
211587233	GARLK 415551	211587348	GARLK 417535	211587562	GARLK 415219	211587723	GARLK 450316
211587238	GARLK 450104	211587349	GARLK 475384	211587563	GARLK 450389	211587723	GARLK 472636
211587241	GARLK 455406	211587350	GARLK 415991	211587563	GARLK 472492	211587745	GARLK 417556
211587245	GARLK 415371	211587350	GARLK 455146	211587564	GARLK 450519	211587747	GARLK 417484N
211587247	GARLK 417562	211587353	GARLK 417601	211587564	GARLK 471271	211587747	GARLK 455322
211587248	GARLK 471869	211587357	GARLK 412473	211587566	GARLK 416865	211587749	GARLK 417534
211587248	GARLK 473459	211587357	GARLK 415894	211587567F1	GARLK 471192	211587752	GARLK 471760
211587249	GARLK 415960	211587364	GARLK 455019	211587568	GARLK 470548	211587758	GARLK 417601
211587249	GARLK 455009	211587366	GARLK 417550	211587568	GARLK 470625	211587759	GARLK 457874
211587253	GARLK 415027	211587368	GARLK 455480	211587568F1	GARLK 470625	211587764	GARLK 416273
211587253	GARLK 455027	211587370F1	GARLK 472164	211587572	GARLK 417316	211587765	GARLK 418028
211587254	GARLK 450154	211587371	GARLK 415551	211587572	GARLK 455004	211587765	GARLK 455137
211587254	GARLK 473234	211587372	GARLK 471808	211587574	GARLK 415303	211587767	GARLK 471829
211587254F1	GARLK 473234	211587372F1	GARLK 471808	211587578	GARLK 416153	211587768	GARLK 450307
211587255	GARLK 417351	211587374	GARLK 476470	211587590	GARLK 455195	211587772	GARLK 455820
211587255	GARLK 455154	211587375	GARLK 417596	211587590	GARLK 472157	211587774	GARLK 415227
211587258	GARLK 416892	211587382	GARLK 411253	211587594	GARLK 416271	211587775	GARLK 455556
211587259	GARLK 450133	211587382	GARLK 450099	211587603	GARLK 416476	211587776	GARLK 415458
211587264	GARLK 473446	211587386	GARLK 472258	211587603	GARLK 455075	211587776	GARLK 455003
211587265	GARLK 417362	211587389	GARLK 415379	211587610	GARLK 417549	211587776F1	GARLK 415458
211587269	GARLK 415437	211587389	GARLK 455379	211587611	GARLK 417198	211587780	GARLK 415128
211587269	GARLK 455173	211587390	GARLK 470163	211587612	GARLK 415072	211587783	GARLK 417604
211587270	GARLK 417181	211587390	GARLK 471766	211587615	GARLK 415027	211587784	GARLK 417181
211587272	GARLK 450389	211587390F1	GARLK 471766	211587615	GARLK 455027	211587785	GARLK 455123
211587272	GARLK 472492	211587402	GARLK 415088	211587616	GARLK 416047	211587786	GARLK 455123
211587276	GARLK 416077	211587402	GARLK 455088	211587616	GARLK 416332	211587787	GARLK 417351
211587277	GARLK 417474	211587409	GARLK 416107	211587626	GARLK 417549	211587787	GARLK 455154
211587280	GARLK 470064	211587409	GARLK 455073	211587629	GARLK 417562	211587791	GARLK 416339
211587280	GARLK 471821	211587418	GARLK 415683	211587633	GARLK 471887	211587791	GARLK 455031
211587282	GARLK 416339	211587419	GARLK 455018	211587633F1	GARLK 471887	211587795	GARLK 417247
211587282	GARLK 455031	211587419	GARLK 476470	211587642	GARLK 416294	211587796	GARLK 455584
211587284	GARLK 417539	211587420	GARLK 472029	211587646	GARLK 472041	2115878	GARLK 471532
211587285	GARLK 411245	211587423	GARLK 6936S	211587646	GARLK 473454	211587803	GARLK 415196
211587285	GARLK 455096	211587433	GARLK 415072	211587649	GARLK 472018	211587812	GARLK 416345
211587289	GARLK 417191	211587435	GARLK 472020	211587652	GARLK 417541	211587812	GARLK 455033
211587291	GARLK 416891	211587436	GARLK 415327	211587653	GARLK 415076	211587814	GARLK 415035
211587292	GARLK 417316	211587440	GARLK 415379	211587659	GARLK 415034	211587814	GARLK 415953
211587292	GARLK 455004	211587440	GARLK 455379	211587659	GARLK 455034	211587819	GARLK 416167
211587299	GARLK 471529	211587448	GARLK 415036	211587668	GARLK 417316	211587819	GARLK 455091
211587307	GARLK 450352	211587510	GARLK 350414	211587668	GARLK 455004	211587824	GARLK 415090
211587307	GARLK 472164	211587510	GARLK 472311	211587669	GARLK 417298	211587825	GARLK 417597
211587313	GARLK 418028	211587516	GARLK 474278	211587670	GARLK 455018	211587829	GARLK 416664
211587313	GARLK 455137	211587516	GARLK 480356	211587670	GARLK 476470	211587829	GARLK 455364
211587317	GARLK 417562	211587518	GARLK 471766	211587671	GARLK 415259	211587829F1	GARLK 416664
211587318	GARLK 455406	211587523	GARLK 471862	211587677	GARLK 472319	211587837	GARLK 417513
211587320	GARLK 471424	211587542	GARLK 415281N	211587684	GARLK 450154	211587839	GARLK 417252
211587324	GARLK 415027	211587542F1	GARLK 417349	211587684	GARLK 473234	211587840	GARLK 55357
211587327	GARLK 471887	211587544	GARLK 415437	211587685	GARLK 415938	211587842	GARLK 472020
211587328	GARLK 415995	211587544	GARLK 455173	211587686	GARLK 415041	211587861	GARLK 415196
211587328	GARLK 455013	211587549	GARLK 413246	211587687	GARLK 481792	211587864	GARLK 450285
211587328F1	GARLK 415013	211587549	GARLK 413246N	211587689	GARLK 416158	211587873	GARLK 470358
211587328F1	GARLK 415995	211587551	GARLK 415088	211587690	GARLK 415187	211587873	GARLK 473231
211587332	GARLK 415027	211587551	GARLK 455088	211587695	GARLK 470077	211587877	GARLK 415066
211587334	GARLK 455144	211587554	GARLK 415683	211587695	GARLK 474281	211587879	GARLK 417780
211587341F1	GARLK 472475	211587555	GARLK 471984	2115877	GARLK 471532	211587880	GARLK 416556
211587342	GARLK 415645	211587555F1	GARLK 471984	211587700	GARLK 413246	211587880	GARLK 472157
211587342	GARLK 455104	211587559	GARLK 417356	211587700	GARLK 413246N	2115879	GARLK 473405
211587346	GARLK 451948	211587559	GARLK 455188	211587717	GARLK 417171	211587907	GARLK 470950
211587347	GARLK 415027	211587560	GARLK 416154	211587722	GARLK 455195	211587907	GARLK 6241S
211587347	GARLK 455027	211587561	GARLK 417602	211587722	GARLK 472157	211587909	GARLK 417602

INTERCHANGE SECTION

COMPETITIVE INTERCHANGES

Mfr No.	Mfr.	National	Mfr No.	Mfr.	National	Mfr No.	Mfr.	National	Mfr No.	Mfr.	National
211587915	GARLK	450444	211588266	GARLK	450078	211588566	GARLK	455576	211588744	GARLK	417357
211587915	GARLK	471835	211588266	GARLK	473444	211588569	GARLK	471818	211588744	GARLK	455192
211587934	GARLK	55469	211588270	GARLK	410308	211588570	GARLK	415263	211588745	GARLK	416891
211587937	GARLK	2081	211588270	GARLK	450308	211588571	GARLK	413248	211588747	GARLK	415867
211587941	GARLK	455509	211588274	GARLK	450298	211588572	GARLK	472029	211588752	GARLK	417362
211587993	GARLK	417273	211588274	GARLK	473239	211588573	GARLK	415001	211588756	GARLK	417020
2115880	GARLK	473405	211588278	GARLK	416153	211588573	GARLK	455001	211588757	GARLK	417494
211588063	GARLK	350974	211588280	GARLK	415379	211588579	GARLK	417601	211588758	GARLK	417020
211588067	GARLK	472644	211588280	GARLK	455379	211588585	GARLK	415072	211588775	GARLK	417298
211588074	GARLK	471827	211588284	GARLK	472432	211588591	GARLK	415871	211588778	GARLK	416163
211588081	GARLK	450819	211588284	GARLK	474256	211588592	GARLK	417211	211588780	GARLK	415991
2115881	GARLK	471558	211588292	GARLK	473458	211588596	GARLK	455584	211588780	GARLK	455146
211588102	GARLK	455556	211588293	GARLK	473238	211588608	GARLK	455022	211588787	GARLK	415259
211588104	GARLK	472299	211588300	GARLK	415327	211588628	GARLK	417542	211588790	GARLK	473441
211588111	GARLK	417196	211588306	GARLK	416107	211588629	GARLK	417539	211588797	GARLK	413247
211588112	GARLK	417511	211588306	GARLK	455073	211588631	GARLK	416167	211588797	GARLK	450350
211588117	GARLK	415023	211588309	GARLK	417538	211588631	GARLK	455091	211588819	GARLK	455406
211588120	GARLK	415371	211588310	GARLK	417539	211588633	GARLK	416154	211588824	GARLK	417254
211588127	GARLK	416891	211588311	GARLK	415437	211588635	GARLK	455197N	211588825	GARLK	416891
211588128	GARLK	417355	211588311	GARLK	455173	211588636	GARLK	415196	211588828	GARLK	455462
211588129	GARLK	470403	211588312F1	GARLK	471750	211588638	GARLK	417205	211588830	GARLK	415559
211588129	GARLK	470774	211588328	GARLK	455197N	211588640	GARLK	415984	211588833	GARLK	416664
211588131	GARLK	450285	211588330	GARLK	416154	211588643	GARLK	450117	211588833	GARLK	455364
211588140	GARLK	455462	211588331	GARLK	417258	211588643	GARLK	472572	211588836	GARLK	417171
211588151	GARLK	415991	211588353	GARLK	476535	211588646	GARLK	450068	211588845	GARLK	417541
211588151	GARLK	455146	211588384	GARLK	415867	211588657	GARLK	417262	211588846	GARLK	417547
211588153	GARLK	415458	211588396	GARLK	415937	211588657	GARLK	455448	211588847	GARLK	417497
211588153	GARLK	455003	211588400	GARLK	415142	211588662	GARLK	417020	211588848	GARLK	410987
211588154	GARLK	416404	211588401	GARLK	472041	211588663	GARLK	417541	211588856	GARLK	417537
211588156	GARLK	417171	211588401	GARLK	473454	211588665	GARLK	417603	211588864	GARLK	418028
211588161	GARLK	415045	211588404	GARLK	413469	211588668	GARLK	455685	211588864	GARLK	455137
211588165	GARLK	415066	211588409	GARLK	471633	211588676	GARLK	417159	211588868	GARLK	417605
211588169	GARLK	457874	211588410	GARLK	417512	211588678	GARLK	417366	211588870	GARLK	415683
211588173	GARLK	416077	211588416	GARLK	410737	211588679	GARLK	455151	211588875	GARLK	50327
211588187	GARLK	472475	211588416	GARLK	450737	211588680	GARLK	415227	211588881	GARLK	416556
211588187R1	GARLK	472475	211588417	GARLK	455584	211588681	GARLK	417501	211588881	GARLK	472157
211588188	GARLK	455019	211588419	GARLK	415138	211588682	GARLK	470645	211588886	GARLK	470596
211588192	GARLK	417273	211588423	GARLK	415072	211588683	GARLK	417511	211588903	GARLK	417191
2115882	GARLK	471558	211588430	GARLK	456105	211588696	GARLK	417485	211588904	GARLK	416107
211588205	GARLK	417596	211588437	GARLK	55301S	211588697	GARLK	417509	211588904	GARLK	455073
211588208	GARLK	417513	211588442	GARLK	417252	211588698	GARLK	455297	211588907	GARLK	415045
211588213	GARLK	450316	211588443	GARLK	416229	2115887	GARLK	471466	211588912	GARLK	417542
211588213	GARLK	472636	211588460	GARLK	416891	211588700	GARLK	418028	211588917	GARLK	415090
211588214	GARLK	455820	211588462	GARLK	415090	211588700	GARLK	455137	211589009	GARLK	471688
211588222	GARLK	416011	211588466	GARLK	417509	211588704	GARLK	470548	211589013	GARLK	352541
211588222	GARLK	417621	211588469	GARLK	415871	211588704	GARLK	470625	211589093F1	GARLK	470605
211588224	GARLK	455191	211588470	GARLK	417159	211588705	GARLK	480281	2115891	GARLK	471255
211588231	GARLK	417191	211588471	GARLK	417556	211588708	GARLK	417780	211589234F1	GARLK	473445
211588233	GARLK	476470	211588477	GARLK	455026	211588712	GARLK	415645	2115893	GARLK	471564
211588238	GARLK	417606	211588488	GARLK	455566	211588712	GARLK	455104	211589345	GARLK	471733
211588243	GARLK	415072	211588494	GARLK	415482	211588724	GARLK	473463	2115894	GARLK	471564
211588245	GARLK	417487	211588498	GARLK	450441	211588726	GARLK	415281N	211589481	GARLK	417486
211588245	GARLK	455086	211588498	GARLK	471341	211588728	GARLK	470605	2115895	GARLK	471612
211588248	GARLK	470950	211588521	GARLK	412040	211588731	GARLK	417356	211589501	GARLK	330385
211588248	GARLK	6241S	211588529	GARLK	417597	211588731	GARLK	455188	211589515	GARLK	471267
211588251	GARLK	417596	211588530	GARLK	416664	211588732	GARLK	450298	2115896	GARLK	471612
211588252	GARLK	415294	211588530	GARLK	455364	211588732	GARLK	473239	211589633	GARLK	480281
211588252	GARLK	455294	211588551	GARLK	416149	211588734	GARLK	471820	2115897	GARLK	481528
211588262	GARLK	415124	211588556	GARLK	417507	211588736	GARLK	415072	2115898	GARLK	481528
211588265	GARLK	481792	211588560	GARLK	417604	211588738	GARLK	470565	211589833F1	GARLK	471192

INTERCHANGE SECTION

COMPETITIVE INTERCHANGES



Mfr No.	Mfr.	National	Mfr No.	Mfr.	National	Mfr No.	Mfr.	National	Mfr No.	Mfr.	National
211589943F1	GARLK	471829	211586674	GARLK	471795	21167	SKF	412015V	21210902	ITM	1953
211580121	GARLK	470506	211586675	GARLK	471801	2116807	GMC	417267	21210913	ITM	473367
211580169	GARLK	474273	211586749	GARLK	471255	2117057	GMC	450118	21211100	ITM	1992
211580214	GARLK	471267	211586856	GARLK	471255	2117057	GMC	473449	21211300	ITM	225230
211580220	GARLK	471646	211586993	GARLK	471765	2117058	GMC	450494	21211301	ITM	1984
211580287	GARLK	471224	2115871	GARLK	471551	2117058	GMC	472164	21211503	ITM	224015
211580294	GARLK	471689	211587137	GARLK	470059	2117093	ITM	1955	21211505	ITM	1950
211580296	GARLK	450593	211587137	GARLK	470380	21171	C-R	412015V	21211506	ITM	1180
211580351	GARLK	471652	211587176	GARLK	471192	21171	SKF	412015V	21211510	ITM	224820
211580352	GARLK	471652	211587195	GARLK	480630	2117109	ITM	1213N	21211511	ITM	224820
211580357	GARLK	470712	2115872	GARLK	471551	21172	C-R	472015	21211521	ITM	225020
211580358	GARLK	470712	211587262	GARLK	474274	21172	SKF	472015	21212903	ITM	1174
211580361	GARLK	471785	211587358	GARLK	471646	21173	C-R	472015	21213501	ITM	1174
211580362	GARLK	471785	211587391	GARLK	474255	21173	SKF	472015	21213503	ITM	224045
211580387	GARLK	471765	211587447	GARLK	470059	2117514	ITM	224570	21213504	ITM	1174
211580388	GARLK	471765	211587447	GARLK	470380	2117531	ITM	1174	21213509	ITM	1217
211580394	GARLK	473205	211587661	GARLK	471192	2117538	ITM	225005	21219301	ITM	5697
211580397	GARLK	474255	211587675	GARLK	471787	2117549	ITM	1953	21219302	ITM	482126
211580398	GARLK	474255	211587831	GARLK	471646	2117560	ITM	224820	21219810	ITM	226285
211580399	GARLK	474255	211588135	GARLK	473227	2117561	ITM	223605	21203	C-R	470308N
211580424	GARLK	471750	211588267	GARLK	471551	2117591	ITM	225110	2120319	SKF	470308N
211580425	GARLK	471750	211588272	GARLK	471472	2117594	ITM	224255	21204	GMC	471646
211580426	GARLK	471750	211588275	GARLK	471801	2117614	ITM	225230	21209R1	TIMKE	370021A
211580430	GARLK	471787	211588314	GARLK	471765	2117623	ITM	224252	21209R91	IH	3592
211580431	GARLK	471787	211588342	GARLK	471255	2117625	ITM	224252		IH	3592
211580436	GARLK	471795	2115888	GARLK	471466	2117748	ITM	224520	2121	CLIN	350567
211580437	GARLK	471795	211588879	GARLK	450593	2117787	ITM	225010	2121	CLIN	471267
211580438	GARLK	471795	2115892	GARLK	471255	2117909	ITM	225020	21210	C-R	450308
211580439	GARLK	471801	21159	C-R	8430S	2117925	ITM	223830	21210	C-R	473468
211580440	GARLK	471801	21159	SKF	8430S	2117926	ITM	227550	21210	SKF	450308
211580441	GARLK	471801	2116025	ITM	1180	2117929	ITM	225230	21210	SKF	473468
211580484	GARLK	472826	2116112	ITM	1174	2117955	ITM	224820	21211	C-R	410308
211580485	GARLK	472826	2116177	ITM	224235	2117963	ITM	1953	21211	C-R	473468
211580541	GARLK	471192	2116179	ITM	3771	2117966	ITM	225020	21211	SKF	410308
211580542	GARLK	471192	2116201	ITM	224520	2117968	ITM	1956	21211	SKF	473468
211580543	GARLK	471192	2116205	ITM	1994	2117968	ITM	224820	212112	GOODM	471192
211580646	GARLK	470059	2116213	ITM	223542	2117971	ITM	226285	2121144	GMC	471887
211580646	GARLK	470380	2116247	ITM	1174	2117975	ITM	226285	21213	C-R	410308
211580647	GARLK	470059	2116298	ITM	224270	2117979	ITM	1012N	21213	SKF	410308
211580647	GARLK	470380	21163	C-R	472015	2117985	ITM	1012N	21213505	ITM	1012N
211580648	GARLK	470059	21163	CONTI	471103	2117988	ITM	1012N	21213507	ITM	1012N
211580648	GARLK	470380	21163	CONTI	50197S	2117990	ITM	224045	21215	C-R	450362
211580661	GARLK	470487N	21163	SKF	472015	2118530	GMC	471570	21215	SKF	450362
211580778	GARLK	474274	2116304	ITM	1012N	211889	BENDI	480210	2121626	GMC	416404
211580780	GARLK	474274	2116327	ITM	227040	2119019	GMC	411500	2121632	GMC	475012N
211584483	GARLK	415442	2116366	ITM	224015	2119402	GMC	471103	2121633	GMC	415001
211584662	GARLK	470506	2116367	ITM	224045	2119402	GMC	50197S	2121634	GMC	475012N
211584704	GARLK	471785	2116373	ITM	1174	2119728	GMC	471689	21217	CHRYSL	3173
211584842	GARLK	471472	2116376	ITM	224045	211985	US-EL	417555	21217	CHRYSL	710928
2115850	GARLK	471442	21164	C-R	472015	211PKG	TIMKE	211PKG	2122	WHITE	5778
211585713	GARLK	473227	21164	SKF	472015	211R	TIMKE	211PKG	2122016	GMC	471820
211586	CLARK	470169	2116428	ITM	224820	212	UNIVE	417316	2122063	GMC	45031S
211586	CLARK	473214	2116450	GMC	5M466	212	UNIVE	455004	212227	CUMMI	39809
211586430	GARLK	471785	2116475	ITM	223830	2121501	JPAT	710484	21224	GARLK	471413
211586457	GARLK	472826	2116478	ITM	224045	2121510	JPAT	710484	2122674	GMC	417316
211586479	GARLK	471192	2116492	ITM	1955	21210301	ITM	1196	2122701	GMC	370022A
211586580	GARLK	450593	2116502	ITM	1213N	21210501	ITM	1174	2122701	GMC	380022A
211586637	GARLK	471466	2116505	ITM	228020	21210502	ITM	1183	2122717	GMC	370178A
211586667	GARLK	470059	2116539	ITM	225020	21210503	ITM	1188	2122717	GMC	416888
211586667	GARLK	470380	21167	C-R	412015V	21210521	ITM	224045	2122717	MOHWK	416888

INTERCHANGE SECTION

COMPETITIVE INTERCHANGES

Mfr No.	Mfr.	National	Mfr No.	Mfr.	National	Mfr No.	Mfr.	National	Mfr No.	Mfr.	National
2122717	MOHWK	455200	21245	SKF	410312N	212A131X04	TROS	8597S	21356	SKF	416267
2122718	GMC	370022A	21246	GARLK	471766	212PKG	TIMKE	212PKG	21358	C-R	415349
2122718	GMC	380022A	21247	C-R	710478	212R	TIMKE	212PKG	21358	SKF	415349
212289	BENDI	471795	21247	SKF	710478	212W350	CONE	5521	21360	GARLK	471192
2122910	GMC	417181	2124705	CHRY5	331228H	213	C-R	5650	21368	GARLK	473214
2122914	GMC	415991	21248	C-R	8430S	213	SKF	5650	21360S	JN-MN	416345
2122914	GMC	455146	21248	SKF	8430S	213	UNIVE	417485	21360S	JN-MN	455033
2123186	GMC	415086N	21240S	JN-MN	415995	213006	HYST	343186	2137005	GMC	471103
2123186	GMC	417487	21240S	JN-MN	455013	213009	ALLCH	450516	2137005	GMC	50197S
2123186	WHITE	415086N	212522	WAYNE	470487N	21302	C-R	473243	213712	SPERY	472258
2123186	WHITE	417487	212561	BENDI	470163	21302	SKF	473243	2137252	GMC	327303
2123199	GMC	450316	212561	BENDI	471766	21302VH	TRSCM	8430S	213741	ALLCH	470163
2123199	GMC	472636	21258	C-R	476535	21303TA	TRSCM	472015	213741	ALLCH	471766
21232	GARLK	471737	21258	SKF	476535	21304VSA	TRSCM	412015V	21378	GARLK	473215
212325	UNIVE	413246	212603	CUMMI	330385	213065TA	TRSCM	450308	21379	C-R	475080N
212325	UNIVE	413246N	212608M1	MASSE	472299	213065TB	TRSCM	470308N	21379	SKF	475080N
212335	MICH	412119	21262	GARLK	471795	213065TB	TRSCM	473468	21370S	JN-MN	55028
212335	MICH	450101	212620	BRCWY	417344	213074	ALLCH	471652	21384	C-R	710890
212335	UNIVE	412119	212620	BRCWY	455006	213075	ALLCH	6863S	21384	SKF	710890
212335	UNIVE	450101	21265	C-R	472409	2130D	GOODM	417343	213895	ALLCH	450076
21234	C-R	472016	21265	SKF	472409	2130RC	SUL	417512	213895	ALLCH	470334
21234	SKF	472016	21267	C-R	472409	21314SA	TRSCM	410312N	2139445	GMC	418028
212348	MICH	410987	21267	SKF	472409	213183TB	TRSCM	472409	2139445	GMC	455137
212348	MICH	450103	21269	C-R	7790H	2131D	GOODM	415007	2139446	GMC	415991
212350	MICH	416271	21269	SKF	7790H	2131RC	SUL	415551	2139446	GMC	455146
212350	UNIVE	416271	21270	C-R	39302	2132	HWY	417518	2139447	GMC	415027
212354	UNIVE	412861	21270	LEECE	471763	21320	C-R	450867	213PKG	TIMKE	213PKG
21236	C-R	2457	21270	SKF	39302	21320	SKF	450867	213R	TIMKE	213PKG
21236	SKF	2457	21271	LEECE	471684	2132142011	HYUND	712007	214	UNIVE	417158
212362	UNIVE	410825	21271	LEECE	471698	2132142021	HYUND	221710	214	UNIVE	455355
212383921	GARLK	417601	212735	BENDI	471689	2132142030	HYUND	224460	21400	C-R	8312
212383926	GARLK	417602	212735	FORD	471689	2132142031	HYUND	224460	214017	CLARK	450352
212383938	GARLK	417604	21273TB	TRSCM	473204	2132142041	HYUND	228005	214017	CLARK	472164
212383944	GARLK	417567	212794R91	IH	455310	2132142042	HYUND	228005	214077	CLARK	470120
212383952	GARLK	415128	21281	C-R	225450	2132142042	KIA	228005	214077	CLARK	471224
212383953	GARLK	455129	21281	SKF	225450	2132147280	HYUND	224810	214083	ALLCH	473235
212383954	GARLK	455462	21282VB	TRSCM	40566S	213217	ALLCH	415995	214085	CLARK	412920
212383955	GARLK	415090	21283SSB	TRSCM	6879H	213217	ALLCH	455013	214097	ALLCH	471231
212383968	GARLK	415219	21284F	OSHKO	415938	213337TA	TRSCM	410972N	21410	C-R	4635V
212383984	GARLK	417606	21284SA	TRSCM	450365	213337TA	TRSCM	413470	21410	SKF	4635V
212383985	GARLK	55078S	21284SA	TRSCM	450867	21334A	MASSE	6336S	214143	CLARK	455035N
212383997	GARLK	417020	21284TA	TRSCM	410867N	21334TB	TRSCM	413470	2141654	GMC	470163
212383998	GARLK	417020	21284TB	TRSCM	470898	213354	FWD	6663S	2141654	GMC	471766
212384009	GARLK	417570	21285	C-R	710506	21336	C-R	413469	2142111000	HYUND	224465
212384017	GARLK	415227	21285	SKF	710506	21336	SKF	413469	2142121000	HYUND	223018
212384036	GARLK	415482	212908	WAUKE	470219	213400	MECH	370057A	2142121020	HYUND	223018
212384057	GARLK	415077	212908	WAUKE	471649	21348	GARLK	472258	2142121030	HYUND	223018
212384063	GARLK	415076	21291	C-R	710574	21352	C-R	413470	2142122000	HYUND	714436
212384072	GARLK	417608	21291	SKF	710574	21352	SKF	413470	2142122000	KIA	714436
212384499	GARLK	415124	21294	C-R	5682	213523C500	HYUND	494122	2142122001	HYUND	714436
212384500	GARLK	417022	21294	SKF	5682	213523C500	KIA	494122	2142122001	KIA	714436
212384610	GARLK	415871	21294SA	TRSCM	450115	213523C600	HYUND	494122	2142122020	HYUND	714436
21239	C-R	710652	212965	BENDI	471571	213523C600	KIA	494122	2142122020	KIA	714436
21239	SKF	710652	212968	WAUKE	471652	213523C700	HYUND	494122	2142123000	HYUND	710531
212400	MECH	370015A	212978	WAUKE	472636	213523C700	KIA	494122	2142123000	KIA	710531
21241	C-R	710653	212996	GWI	450083	21353	C-R	413470	2142123020	HYUND	710531
21241	SKF	710653	212996	GWI	472924	21353	SKF	413470	2142123020	KIA	710531
2124223	GMC	415016N	2129D	GOODM	415458	21354	C-R	6380	2142125000	HYUND	224200
2124461	CHRY5	471827	2129D	GOODM	455003	21354	SKF	6380	2142125000	KIA	224200
21245	C-R	410312N	212A124X04	TROS	8133S	21356	C-R	416267	2142125001	HYUND	224200

INTERCHANGE SECTION

COMPETITIVE INTERCHANGES



Mfr No.	Mfr.	National	Mfr No.	Mfr.	National	Mfr No.	Mfr.	National	Mfr No.	Mfr.	National
2142125001	KIA	224200	2144321000	KIA	227235	214631	SPICE	472015	215270541	GARLK	471192
2142125002	HYUND	224200	2144321010	HYUND	227235	214701	CLARK	6863S	215270544	GARLK	470169
2142125002	KIA	224200	2144322000	HYUND	227235	214706	CLARK	450185	215270544	GARLK	473214
2142126600	HYUND	714436	2144322000	KIA	227235	214706	CLARK	473229	215270547	GARLK	473215
2142126600	KIA	714436	2144322050	HYUND	227235	21472	GARLK	470380	215270550	GARLK	470950
2142126620	HYUND	714436	2144322050	KIA	227235	21472VA	IH	473460	215270550	GARLK	6241S
2142126620	KIA	714436	2144325000	HYUND	710767	214784	ALLCH	471765	215270556	GARLK	450444
214212B010	HYUND	710935	2144325000	KIA	710767	214821	BRCWY	450067	215270556	GARLK	471835
214212B010	KIA	710935	214432A000	HYUND	710894	214821	BRCWY	473228	215270592	GARLK	473224
214212B020	HYUND	710935	214432A000	KIA	710894	214826	BRCWY	471689	215270595	GARLK	473016
214212B020	KIA	710935	214432A100	HYUND	710894	21492	GARLK	473228	215270598	GARLK	473225
214212B030	HYUND	710935	214432A100	KIA	710894	214941	CLARK	456967V	215270643	GARLK	470625
214212B030	KIA	710935	214432A200	HYUND	710894	2149674	GMC	472164	215270645	GARLK	471818
214212E000	HYUND	710308	214432A200	KIA	710894	2149740	GMC	472164	215270655	GARLK	450067
214212E000	KIA	710308	214432B000	HYUND	710936	21498	GARLK	473228	215270655	GARLK	473228
214212E300	HYUND	710308	214432B000	KIA	710936	214995	CLARK	417262	215270664	GARLK	473440
214212E300	KIA	710308	214432B010	HYUND	710936	214995	CLARK	455448	215270700	GARLK	472213
214212G000	HYUND	224200	214432B010	KIA	710936	214PKG	TIMKE	214PKG	215270703	GARLK	472299
214212G000	KIA	224200	214432E000	HYUND	710879	214R	TIMKE	214PKG	215270706	GARLK	470064
214212G100	HYUND	224200	214432E000	KIA	710879	215	GARLK	471570	215270706	GARLK	471821
214212G100	KIA	224200	214432E100	HYUND	710879	215	UNIVE	416654	215270712	GARLK	450185
2142132014	HYUND	224460	214432E100	KIA	710879	215	UNIVE	455012	215270712	GARLK	473229
2142132030	HYUND	712007	214432E110	HYUND	710879	2150348	GMC	415991	215270715	GARLK	470682
2142132034	HYUND	712007	214432E110	KIA	710879	2150348	GMC	455146	215270718	GARLK	471316
2142132044	HYUND	222025	214432G000	HYUND	710767	21503D	IH	412119	215270739	GARLK	482253
2142133114	HYUND	224460	2144332000	HYUND	228005	21503D	IH	450101	215270760	GARLK	470358
2142133134	HYUND	712007	2144333004	HYUND	228005	2150563	GMC	415371	215270760	GARLK	473231
2142133144	HYUND	222025	2144333005	HYUND	228005	2151090	GMC	417485	215270763	GARLK	450066
2142135001	HYUND	223750	2144333005	KIA	228005	215191070	LAMBO	710681	215270763	GARLK	473367
2142135001	KIA	223750	2144333014	HYUND	228005	21523	FMC	413247	215270769	GARLK	450194
2142135010	HYUND	223750	2144335010	HYUND	710894	215270113	GARLK	450025	215270769	GARLK	473010
2142135010	KIA	223750	2144335010	KIA	710894	215270113	GARLK	471553	215270772	GARLK	450069
2142135011	HYUND	223750	2144335500	HYUND	710894	215270115	GARLK	471579	215270772	GARLK	473232
2142135011	KIA	223750	2144335500	KIA	710894	215270119	GARLK	471642	215270775	GARLK	481864
2142135500	HYUND	223750	2144335510	HYUND	710894	215270145	GARLK	471498	215270787	GARLK	450078
2142135500	KIA	223750	2144335510	KIA	710894	215270149	GARLK	471684	215270787	GARLK	473444
2142135520	HYUND	223750	2144338010	HYUND	710767	215270149	GARLK	471698	215270826	GARLK	473233
2142135520	KIA	223750	2144338010	KIA	710767	215270153	GARLK	470390	215270835	GARLK	450154
214213X000	KIA	223420	2144338050	HYUND	710767	215270213	GARLK	471267	215270835	GARLK	473234
2142121010	HYUND	223018	2144338050	KIA	710767	215270217	GARLK	471633	215270838	GARLK	473235
2143265	GMC	450316	214433B000	HYUND	710858	215270221	GARLK	470590	215270844	GARLK	473236
2143265	GMC	472636	214433B000	KIA	710858	215270289	GARLK	473380	215270859	GARLK	471981
214335	UNIVE	411500	214433B001	HYUND	710858	215270323	GARLK	471651	215270899	GARLK	470351
214348	MICH	450104	214433B001	KIA	710858	215270325	GARLK	471705	215270899	GARLK	471504
214350	MICH	411245	214433E000	HYUND	710894	215270327	GARLK	473419	215270907	GARLK	450070
214350	MICH	455096	214433E000	KIA	710894	215270333	GARLK	471762	215270907	GARLK	472185
214350	UNIVE	411245	214433F300	HYUND	710858	215270355	GARLK	470045	215270910	GARLK	470334
214350	UNIVE	455096	214433F300	KIA	710858	215270355	GARLK	476838	215270913	GARLK	450183
214354	MICH	417073	214434X000	HYUND	229010	215270357	GARLK	470712	215270913	GARLK	472179
214354	UNIVE	417073	214434X000	KIA	229010	215270359	GARLK	471763	215270922	GARLK	450291
214400	ALLCH	450301	214439	WILYS	350679	215270361	GARLK	471785	215270922	GARLK	471141
214400	ALLCH	472397	214439	WILYS	470954	215270383	GARLK	472475	215270925	GARLK	473448
214400	MECH	370124A	214472	ALLCH	470169	215270384	GARLK	472475	215270928	GARLK	471984
2144138	GMC	330385	214472	ALLCH	473214	215270385	GARLK	473426	215270931	GARLK	473313
2144302500	HYUND	710794	21454	GARLK	473227	215270387	GARLK	471765	215271042	GARLK	472439
2144302500	KIA	710794	2145447280	HYUND	228480	215270427	GARLK	470163	215271045	GARLK	471868
2144302501	HYUND	710794	214556	CLARK	455197N	215270427	GARLK	471766	215271048	GARLK	450117
2144302501	KIA	710794	214566	CLARK	455197N	215270442	GARLK	471808	215271048	GARLK	472572
2144311200	HYUND	227235	2146	TIMKE	2146	215270451	GARLK	473424	215271051	GARLK	473179
2144321000	HYUND	227235	21462	GARLK	470625	215270535	GARLK	470774	215271057	GARLK	450082

INTERCHANGE SECTION

COMPETITIVE INTERCHANGES

Mfr No.	Mfr.	National	Mfr No.	Mfr.	National	Mfr No.	Mfr.	National	Mfr No.	Mfr.	National
215271057	GARLK	473238	215271819	GARLK	415449	215272663	GARLK	416891	215280535	GARLK	470774
215271063	GARLK	473239	215271825	GARLK	416273	215272753	GARLK	416888	215280544	GARLK	473214
215271066	GARLK	473457	215271888	GARLK	455311	215272756	GARLK	416153	215280547	GARLK	473215
215271069	GARLK	473240	215271933	GARLK	413248	215273125	GARLK	455576	215280556	GARLK	450444
215271075	GARLK	473458	215271939	GARLK	415483	215273128	GARLK	415938	215280556	GARLK	471835
215271114	GARLK	472319	215271945	GARLK	415458	215273275	GARLK	417362	215280643	GARLK	470548
215271117	GARLK	471869	215271948	GARLK	417343	215273278	GARLK	417363	215280643	GARLK	470625
215271117	GARLK	473459	215271951	GARLK	415007	215273281	GARLK	416666	215280655	GARLK	450067
215271120	GARLK	473241	215272035	GARLK	416664	215273872	GARLK	471747	215280655	GARLK	473228
215271129	GARLK	472144	215272038	GARLK	417484N	215273872	GARLK	472674	215280658	GARLK	451857
215271132	GARLK	473460	215272038	GARLK	455322	215273880	GARLK	471344	215280664	GARLK	473440
215271135	GARLK	472394	215272041	GARLK	415984	215273883	GARLK	473442	215280700	GARLK	472213
215271198	GARLK	472924	215272044	GARLK	417316	215274802	GARLK	450545	215280898	GARLK	470351
215271204	GARLK	450301	215272047	GARLK	415960	215276658	GARLK	471276	215280898	GARLK	471504
215271204	GARLK	472397	215272050	GARLK	416706	215277126	GARLK	470596	215280904	GARLK	450494
215271207	GARLK	473463	215272050	GARLK	455272	215277164	GARLK	473455	215280904	GARLK	472164
215271210	GARLK	473242	215272118	GARLK	417344	215277249	GARLK	416127	215280913	GARLK	450183
215271252	GARLK	451948	215272121	GARLK	417158	215277282	GARLK	470088	215280913	GARLK	472179
215271270	GARLK	416738	215272146	GARLK	416956	215277934	GARLK	55469	215280922	GARLK	450291
215271270	GARLK	450096	215272152	GARLK	416654	215277941	GARLK	455509	215280922	GARLK	471141
215271324	GARLK	450115	215272152	GARLK	455012	215278074	GARLK	471827	215280925	GARLK	473448
215271324	GARLK	473467	215272168	GARLK	417349	215278081	GARLK	450819	215280928	GARLK	471984
215271327	GARLK	472015	215272171	GARLK	417350	215270352	GARLK	471652	215281048	GARLK	450117
215271333	GARLK	410312N	215272174	GARLK	415836	215270394	GARLK	473205	215281048	GARLK	472572
215271339	GARLK	450121	215272174	GARLK	415995	215270424	GARLK	471750	215281051	GARLK	473179
215271339	GARLK	472409	215272177	GARLK	417351	215270430	GARLK	471787	215281057	GARLK	450082
215271345	GARLK	473243	215272249	GARLK	456105	215270436	GARLK	471795	215281057	GARLK	473238
215271402	GARLK	472018	215272257	GARLK	455336	215270439	GARLK	471801	215281063	GARLK	473239
215271405	GARLK	473471	215272261	GARLK	417490	215271357	GARLK	416267	215281186	GARLK	471870
215271408	GARLK	472020	215272267	GARLK	455022	215278342	GARLK	471255	215281186	GARLK	471883
215271414	GARLK	470354	215272270	GARLK	415304	215280109	GARLK	471529	215281189	GARLK	450389
215271420	GARLK	473245	215272270	GARLK	476470	215280111	GARLK	471538	215281189	GARLK	472492
215271426	GARLK	413472	215272273	GARLK	417181	215280113	GARLK	471553	215281198	GARLK	472924
215271432	GARLK	416268	215272276	GARLK	417352	215280115	GARLK	471579	215281204	GARLK	472397
215271471	GARLK	471341	215272276	GARLK	418028	215280143	GARLK	471567	215281324	GARLK	450115
215271474	GARLK	471272	215272279	GARLK	417353	215280147	GARLK	471643	215281324	GARLK	473467
215271480	GARLK	471138	215272294	GARLK	455328	215280153	GARLK	470390	215281327	GARLK	472015
215271486	GARLK	410737	215272366	GARLK	415991	215280159	GARLK	481443	215281471	GARLK	471341
215271486	GARLK	470737	215272366	GARLK	415991N	215280161	GARLK	481568	215281474	GARLK	410520
215271492	GARLK	472636	215272369	GARLK	417196	215280213	GARLK	471267	215281474	GARLK	471272
215271498	GARLK	412920	215272375	GARLK	417198	215280215	GARLK	471570	215281492	GARLK	472636
215271504	GARLK	411376	215272417	GARLK	416047	215280217	GARLK	471633	215281504	GARLK	411376
215271504	GARLK	455093	215272417	GARLK	416332	215280219	GARLK	471646	215281504	GARLK	455093
215271654	GARLK	413246	215272420	GARLK	415937	215280225	GARLK	471730	215281639	GARLK	473474
215271654	GARLK	413246N	215272426	GARLK	416125	215280269	GARLK	451583	215281654	GARLK	413246
215271657	GARLK	412119	215272432	GARLK	417499	215280273	GARLK	471648	215281654	GARLK	413246N
215271657	GARLK	450101	215272433	GARLK	417355	215280275	GARLK	471688	215281666	GARLK	416271
215271660	GARLK	413247	215272435	GARLK	415832	215280291	GARLK	471649	215281669	GARLK	412861
215271666	GARLK	416271	215272438	GARLK	417500	215280293	GARLK	471689	215281801	GARLK	472029
215271669	GARLK	412861	215272462	GARLK	415379	215280295	GARLK	450593	215281807	GARLK	471271
215271678	GARLK	417480	215272465	GARLK	417205	215280297	GARLK	471733	215281822	GARLK	415001
215271678	GARLK	455860	215272468	GARLK	416339	215280301	GARLK	471760	215281822	GARLK	455001
215271723	GARLK	471887	215272537	GARLK	415035	215280303	GARLK	453165	215281828	GARLK	455079
215271738	GARLK	411500	215272537	GARLK	415953	215280303	GARLK	471619	215281834	GARLK	455655
215271747	GARLK	411245	215272540	GARLK	417356	215280353	GARLK	470189	215282035	GARLK	416664
215271747	GARLK	455096	215272543	GARLK	417357	215280353	GARLK	471692	215282035	GARLK	455364
215271750	GARLK	417073	215272546	GARLK	416130	215280355	GARLK	470045	215282038	GARLK	417484N
215271801	GARLK	472029	215272555	GARLK	415041	215280355	GARLK	476838	215282038	GARLK	455322
215271807	GARLK	471271	215272657	GARLK	416556	215280359	GARLK	471763	215282041	GARLK	415984
215271813	GARLK	470605	215272657	GARLK	472157	215280361	GARLK	471785	215282050	GARLK	416706

INTERCHANGE SECTION

COMPETITIVE INTERCHANGES



Mfr No.	Mfr. National	Mfr No.	Mfr. National	Mfr No.	Mfr. National	Mfr No.	Mfr. National
215282050	GARLK 455272	21612	SKF 710279	216918	ALLCH 50197S	217020645	GARLK 470625
215282168	GARLK 415281N	21612008	TROS 473212	216928	ALLCH 450400	217020655	GARLK 450067
215282174	GARLK 415995V	21612408	TROS 473214	21692D	IH 481864	217020655	GARLK 473228
215282174	GARLK 455995N	21612804	TROS 473224	216952	US-EL 472258	217020657	GARLK 450067
215284584	GARLK 472658	21612808	TROS 473016	216959R91	IH 40316S	217020657	GARLK 473228
215284584	GARLK 473197	21613	C-R 710279	216985	ALLCH 471442	217020664	GARLK 473440
2152851	GARLK 471526	21613	SKF 710279	216990	ALLCH 471276	217020700	GARLK 472213
2152855	GARLK 471549	21613204	TROS 470625	216A15006	TROS 321460	217020707	GARLK 470064
2152867	GARLK 471281	21613206	TROS 471689	216A15006C	TROS 321460	217020707	GARLK 471821
2152869	GARLK 471535	21613206C	TROS 470625	216C13104	TROS 40468	217020717	GARLK 470682
2152887	GARLK 471466	21613208	TROS 470548	216D13206	TROS 9363S	217020760	GARLK 470358
2152891	GARLK 471255	21613208	TROS 470625	216PKG	TIMKE 216PKG	217020760	GARLK 473231
2152893	GARLK 471564	21613212	TROS 470625	216R	TIMKE 216PKG	217020762	GARLK 470358
215280287	GARLK 471224	21613604	TROS 472213	2170013	GMC 415003	217020762	GARLK 473231
215280351	GARLK 471652	21614804	TROS 6703S	2170013	GMC 415458	217020769	GARLK 450194
215280541	GARLK 471192	21614806	TROS 450400	217020111	GARLK 471538	217020769	GARLK 473010
215280646	GARLK 470059	21614808	TROS 450400	217020113	GARLK 471553	217020772	GARLK 450069
215280646	GARLK 470380	21619	C-R 225530	217020144	GARLK 471567	217020772	GARLK 473232
2152853	GARLK 471472	21619	SKF 225530	217020147	GARLK 471643	217020774	GARLK 450069
2152871	GARLK 471551	216193709	GARLK 417608	217020148	GARLK 471643	217020774	GARLK 473232
215348	CLARK 470605	21620	C-R 225530	217020159	GARLK 481443	217020829	GARLK 473445
21538	C-R 450621	21620	SKF 225530	217020175	GARLK 450431	217020835	GARLK 450154
21538	SKF 450621	21624	C-R 225535	217020175	GARLK 471539	217020835	GARLK 473234
215393	WILYS 471733	21624	SKF 225535	217020213	GARLK 471267	217020837	GARLK 450154
215400	MECH 370010A	21627	C-R 225545	217020215	GARLK 471570	217020837	GARLK 473234
21550	C-R 710467	21627	SKF 225545	217020216	GARLK 471570	217020843	GARLK 470074
21550	SKF 710467	2163192	GMC 450593	217020219	GARLK 471646	217020843	GARLK 474265
2155638	GMC 5751	216335	UNIVE 410496	217020224	GARLK 471137	217020859	GARLK 471981
2156231	GMC 471466	216337	UNIVE 470605	217020270	GARLK 451583	217020898	GARLK 470351
21566	GARLK 473230	216350	MICH 415449	217020288	GARLK 470120	217020898	GARLK 471504
215745	OILGR 481443	216350	MICH 455147	217020288	GARLK 471224	217020904	GARLK 450494
2157507	GE 411376	216350	UNIVE 415449	217020291	GARLK 471649	217020904	GARLK 472164
2157507	GE 455093	216350	UNIVE 455147	217020293	GARLK 471689	217020906	GARLK 450352
21576	GARLK 473231	216354	MICH 415001	217020323	GARLK 471651	217020906	GARLK 472164
2158	CARDX 473473	216354	MICH 455001	217020353	GARLK 470189	217020907	GARLK 450070
2158204	AMC 470590	216354	UNIVE 415001	217020353	GARLK 471692	217020907	GARLK 472185
215841	CLARK 473245	216354	UNIVE 455001	217020383	GARLK 472475	217020909	GARLK 450070
2158432	GMC 415016N	216354SL	MICH 415001	217020385	GARLK 473426	217020909	GARLK 472185
2159	CARDX 450316	216354SL	MICH 455001	217020390	GARLK 471354	217020913	GARLK 450183
2159	CARDX 472636	21636	C-R 710467	217020427	GARLK 471766	217020913	GARLK 472179
21590	GARLK 473010	21636	SKF 710467	217020430	GARLK 471787	217020928	GARLK 471984
21598	GARLK 473232	216362	MICH 416273	217020535	GARLK 470774	217021048	GARLK 450117
215A120X08	TROS 484058	216362	UNIVE 416273	217020544	GARLK 473214	217021048	GARLK 472572
215PKG	TIMKE 215PKG	216375	UNIVE 455079	217020546	GARLK 470169	217021050	GARLK 450117
215R	TIMKE 215PKG	21639	IH 473474	217020546	GARLK 473214	217021050	GARLK 472572
21603	C-R 225500	216400	UNIVE 455655	217020548	GARLK 473215	217021057	GARLK 450082
21603	SKF 225500	21648	C-R 225500	217020550	GARLK 470950	217021057	GARLK 473238
21605	C-R 100470	21648	SKF 225500	217020550	GARLK 6241S	217021069	GARLK 473240
21605	SKF 100470	21652	C-R 710127	217020551	GARLK 470950	217021075	GARLK 473458
2160782	GMC 473232	21652	SKF 710127	217020551	GARLK 6241S	217021114	GARLK 472319
21610	C-R 710279	216604	WILYS 471765	217020552	GARLK 470950	217021129	GARLK 472144
21610	SKF 710279	2166091	GMC 416047	217020552	GARLK 6241S	217021135	GARLK 472394
21611	C-R 710279	2166091	GMC 416332	217020592	GARLK 473224	217021150	GARLK 450472
21611	SKF 710279	2166675	AMC 450085	217020597	GARLK 473016	217021162	GARLK 450474
21611208	TROS 474255	2166675	AMC 470530	217020624	GARLK 473439	217021186	GARLK 471870
21611508	TROS 8293S	216811604	TROS 42081S	217020643	GARLK 470548	217021186	GARLK 471883
21611604	TROS 471801	21682	VICK 470077	217020643	GARLK 470625	217021189	GARLK 450389
21611608	TROS 471801	21682	VICK 474281	217020644	GARLK 470548	217021189	GARLK 472492
21611611	TROS 471801	21690	GARLK 473237	217020644	GARLK 470625	217021191	GARLK 450389
21612	C-R 710279	216918	ALLCH 471103	217020645	GARLK 470548	217021191	GARLK 472492

INTERCHANGE SECTION

COMPETITIVE INTERCHANGES

Mfr No.	Mfr.	National	Mfr No.	Mfr.	National	Mfr No.	Mfr.	National	Mfr No.	Mfr.	National
217021201	GARLK	470530	217022049	GARLK	415960	217023067	GARLK	415645	217039	ALLCH	450400
217021204	GARLK	472397	217022049	GARLK	455009	217023067	GARLK	455104	21704	GARLK	472164
217021206	GARLK	450301	217022086	GARLK	455005	217023184	GARLK	416107	21709D	IH	455019
217021206	GARLK	472397	217022088	GARLK	455005	217023184	GARLK	455073	217103	ALLCH	472258
217021323	GARLK	470898	217022115	GARLK	415303	217023277	GARLK	417362	217106	ALLCH	471267
217021329	GARLK	472015	217022124	GARLK	416921	217023278	GARLK	417363	217130	CINMI	416891
217021332	GARLK	410308	217022124	GARLK	455011	217023279	GARLK	417363	21714	GARLK	472185
217021332	GARLK	450308	217022168	GARLK	415281N	217023280	GARLK	417363	217164	ALLCH	450082
217021340	GARLK	450121	217022170	GARLK	415281N	217023281	GARLK	416666	217164	ALLCH	473238
217021340	GARLK	472409	217022172	GARLK	417350	217023282	GARLK	416666	21726	GARLK	472179
217021402	GARLK	472018	217022172	GARLK	455479	217023283	GARLK	416666	21726F	OSHKO	415304
217021471	GARLK	471341	217022174	GARLK	415995V	217023355	GARLK	415683	21726F	OSHKO	476470
217021473	GARLK	450441	217022174	GARLK	455995N	217023367	GARLK	415072	21732	RELEE	473010
217021473	GARLK	471341	217022177	GARLK	417351	217023384	GARLK	415074	21733	RELEE	415294
217021476	GARLK	410520	217022177	GARLK	455154	217023426	GARLK	415294	21736	C-R	473244
217021476	GARLK	471272	217022180	GARLK	415086N	217023426	GARLK	455294	21736	SKF	473244
217021494	GARLK	450316	217022180	GARLK	417487	217023518	GARLK	416044	21740	C-R	710127
217021494	GARLK	472636	217022183	GARLK	417488	217023544	GARLK	415867	21740	SKF	710127
217021504	GARLK	411376	217022186	GARLK	455019	217023601	GARLK	417601	217431	ALLCH	470169
217021504	GARLK	455093	217022198	GARLK	455019	217023610	GARLK	417604	217431	ALLCH	473214
217021505	GARLK	411376	217022225	GARLK	416011	217023624	GARLK	415090	21744D	IH	410102
217021505	GARLK	455093	217022225	GARLK	417621	217023660	GARLK	417605	217484	ALLCH	470059
217021642	GARLK	470565	217022237	GARLK	416297	217023673	GARLK	417198	217484	ALLCH	470380
217021644	GARLK	470565	217022270	GARLK	476470	217023869	GARLK	472705	21749	C-R	472234
217021654	GARLK	413246	217022273	GARLK	417181	217023921	GARLK	417601	21749	SKF	472234
217021654	GARLK	413246N	217022327	GARLK	417354	217023938	GARLK	417604	2174901	GMC	472015
217021656	GARLK	413246	217022348	GARLK	417493	217023949	GARLK	455966	217534	ALLCH	471750
217021656	GARLK	413246N	217022366	GARLK	415991	217023954	GARLK	455462	217535	ALLCH	471276
217021658	GARLK	412119	217022366	GARLK	455146	217024062	GARLK	415076	217536	ALLCH	450291
217021658	GARLK	450101	217022367	GARLK	415991	217024503	GARLK	55301S	217536	ALLCH	471141
217021668	GARLK	416271	217022367	GARLK	455146	217024507	GARLK	455462	21756	C-R	4740
217021680	GARLK	417480	217022369	GARLK	417196	217024560	GARLK	415294	21756	MA-PR	343185
217021680	GARLK	455860	217022372	GARLK	415437	217024560	GARLK	455294	21756	SKF	4740
217021750	GARLK	417073	217022393	GARLK	415711	217025246	GARLK	470548	217570	ALLCH	415007
217021752	GARLK	417073	217022417	GARLK	416047	217025246	GARLK	470625	21759	C-R	472018
217021807	GARLK	471271	217022417	GARLK	416332	2170255	GARLK	471549	21759	SKF	472018
217021819	GARLK	415449	217022421	GARLK	415937	2170277	GARLK	471532	2176189	GMC	471103
217021821	GARLK	415449	217022462	GARLK	415379	2170280	GARLK	473405	2176189	GMC	50197S
217021821	GARLK	455147	217022462	GARLK	455379	2170287	GARLK	471466	217639H1	IH	415551
217021882	GARLK	413479	217022501	GARLK	417211	2170291	GARLK	471255	21764	C-R	472018
217021939	GARLK	415483	217022504	GARLK	416345	217029808	GARLK	471689	21764	SKF	472018
217021939	GARLK	455368	217022519	GARLK	415304	217020287	GARLK	471224	217640H1	IH	415066
217021948	GARLK	417343	217022519	GARLK	476470	217020351	GARLK	471652	2176424	VOLVO	710190
217021993	GARLK	455434	217022537	GARLK	415035	217020362	GARLK	471785	21768	C-R	710675
217022004	GARLK	455151	217022537	GARLK	415953	217020387	GARLK	471765	21768	SKF	710675
217022032	GARLK	480491	217022600	GARLK	417511	217020388	GARLK	471765	21769	C-R	472018
217022035	GARLK	416664	217022636	GARLK	417513	217020424	GARLK	471750	21769	SKF	472018
217022035	GARLK	455364	217022663	GARLK	416891	217020425	GARLK	471750	21771	C-R	8974S
217022038	GARLK	417484N	217022711	GARLK	416380	217020439	GARLK	471801	21771	RELEE	473228
217022038	GARLK	455322	217022723	GARLK	416149	217020441	GARLK	471801	21771	SKF	8974S
217022044	GARLK	417316	217022753	GARLK	416888	217020484	GARLK	472826	21775	C-R	473471
217022044	GARLK	455004	217022759	GARLK	416892	217020543	GARLK	471192	21775	SKF	473471
217022045	GARLK	417316	217022807	GARLK	416158	217020646	GARLK	470059	2178091	GMC	470219
217022045	GARLK	455004	217022837	GARLK	415138	217020646	GARLK	470380	2178091	GMC	471649
217022046	GARLK	417316	217022915	GARLK	415725	217020648	GARLK	470059	217813H1	IH	471195
217022046	GARLK	455004	217022921	GARLK	416865	217020648	GARLK	470380	21787	C-R	472020
217022047	GARLK	415960	217022922	GARLK	416865	2170237	GARLK	6863S	21787	SKF	472020
217022047	GARLK	455009	217022922	GARLK	455070	2170238	GARLK	6863S	217873	ALLCH	472144
217022048	GARLK	415960	217022927	GARLK	417541	2170250	GARLK	471442	217873	MASSE	472144
217022048	GARLK	455009	217023059	GARLK	417262	217032	ALLCH	471192	2179	UNIVE	418028

INTERCHANGE SECTION

COMPETITIVE INTERCHANGES



Mfr No.	Mfr.	National	Mfr No.	Mfr.	National	Mfr No.	Mfr.	National	Mfr No.	Mfr.	National
2179	UNIVE	455137	218313	ALLCH	5857	219355TBJ	TRSCM	2286	2196514	GO-TI	1012N
21795D	IH	450085	218327	ALLCH	450066	21938	C-R	3103	2196516	GO-TI	3214
21795D	IH	470530	218327	ALLCH	473367	21938	SKF	3103	2196518	GO-TI	1955
217985	HYST	J1121	21835	GARLK	473239	219396	ALLCH	472560N	2196519	GO-TI	3199
2179886	GMC	6090S	218350	MICH	415302	219396	ALLCH	50151S	2196520	GO-TI	1955
2179931	GMC	471192	218350	UNIVE	415302	2194	TIMKE	2194	21969D	IH	450066
217A124X065	TROS	9569S	218354	UNIVE	455311	21944	C-R	713103	21969D	IH	473367
217PKG	TIMKE	217PKG	218362	MICH	415988	21944	SKF	713103	219774	JEFF	473016
217R	TIMKE	217PKG	218362	UNIVE	415988	21944K	IH	473438	2198804	GMC	471192
2180	UNIVE	415991	218375	UNIVE	417481	219475	ALLCH	415138	219899	JEFF	415001
2180	UNIVE	455146	21838	GARLK	473239	2194OS	JN-MN	417606	219899	JEFF	455001
21802	GARLK	472439	218387	UNIVE	455280	21950	C-R	415350	219899	SUL	415001
21812004	TROS	40769S	218388	MICH	455280	21950	SKF	415350	219899	SUL	455001
21812005	TROS	40769S	2183992	GMC	470898	21952	C-R	5604	219929	ALLCH	415254
21812404	TROS	42763	2184	STEM	370371A	21952	SKF	5604	2199335	GMC	471267
21812405	TROS	42763	21840	C-R	473245	21953	C-R	710171	219971847	MERCE	710289
2181265	GMC	450301	21840	SKF	473245	21953	SKF	710171	219977647	MERCE	710289
2181265	GMC	472397	21848	GARLK	473240	21955	C-R	2286	219A125X0825	TROS	8660S
21814	GARLK	472572	218538	CUMMI	39723	21955	SKF	2286	219D4	WHITE	450316
21820	C-R	6186	2185521	GMC	474276	21955D	IH	473460	219D4	WHITE	472636
21820	SKF	6186	21855D	IH	415458	21957	C-R	710575	219PKG	TIMKE	219PKG
218205R91	IH	6270	21855D	IH	455003	21957	SKF	710575	219R	TIMKE	219PKG
218206R91	IH	5401	21856	VICK	415196	219594	FRUEH	6545	21C7052	FORD	410059
21820D	IH	415371	21860	VICK	417205	2196057	GMC	472397	21C7052	FORD	470380
218230109	GARLK	471529	2186197	GMC	471466	21961	C-R	3553	21C7052A	FORD	410059
218230111	GARLK	471538	2186314	GMC	470898	21961	RELEE	416156	21C7052A	FORD	470380
218230113	GARLK	471553	21865	VICK	416888	21961	SKF	3553	21C7052A1	FORD	410059
218230115	GARLK	471579	21865	VICK	455200	21962	C-R	5604	21C7052A1	FORD	470380
218230143	GARLK	471567	218655	ALLCH	471554	21962	SKF	5604	21C7052A2	FORD	410059
218230147	GARLK	471643	218682	ALLCH	474255	219621	ALLCH	471868	21C7052A2	FORD	470380
218230153	GARLK	470390	21870	HYST	450147	2196401	GO-TI	7022S	21D2531	FWD	471750
218230159	GARLK	481443	218703	ALLCH	470358	2196403	GO-TI	41257	21D6131	FWD	470027
218230161	GARLK	481568	218703	ALLCH	473231	2196407	GO-TI	8705S	21D6131	FWD	471554
218230215	GARLK	471570	2188404	GMC	450291	2196408	GO-TI	9406S	21RM201	CONTI	450076
218230217	GARLK	471633	2188404	GMC	471141	2196409	GO-TI	9015S	21RM201	CONTI	470334
218230219	GARLK	471646	21886	VICK	474255	2196410	GO-TI	8121S	21X10043B	JOHND	416888
218230225	GARLK	471730	21890	C-R	412943	2196411	GO-TI	6815	21X10052B	JOHND	343185
218230269	GARLK	451583	21890	SKF	412943	2196414	GO-TI	8871	21X12461A	JOHND	417344
218230273	GARLK	471648	2189804	GMC	471192	2196415	GO-TI	5121	21X12544A	JOHND	473214
218230275	GARLK	471688	218PKG	TIMKE	218PKG	2196416	GO-TI	3087	21X12544B	JOHND	473214
218230291	GARLK	471649	218R	TIMKE	218PKG	2196417	GO-TI	3357	21X14213B	JOHND	415003
218230297	GARLK	471733	2196404	GO-TI	8139	2196418	GO-TI	1196	21X14213B	JOHND	415458
218230301	GARLK	471760	2196405	GO-TI	7607	2196419	GO-TI	6840S	21X14214A	JOHND	471138
218231324	GARLK	450115	2196406	GO-TI	7934S	2196420	GO-TI	9406S	21X14479A	JOHND	473203
218231324	GARLK	473467	21901	NPG	4638N	2196421	GO-TI	1217	21X15184A	JOHND	471224
2182351	GARLK	471526	219023	OILGR	471647	2196423	GO-TI	224820	21X15517A	JOHND	415138
2182355	GARLK	471549	21910	C-R	413472	2196424	GO-TI	1188	21X18141A	JOHND	415327
2182369	GARLK	471535	21910	SKF	413472	2196425	GO-TI	4148	21X2813	GARLK	415064
2182387	GARLK	471466	219155	ALLCH	450076	2196501	GO-TI	9568	21X51544A	JOHND	455056
2182391	GARLK	471255	219155	ALLCH	470334	2196502	GO-TI	9363S	21X52416A	JOHND	471984
2182393	GARLK	471564	21918	C-R	710413	2196503	GO-TI	5124	21Y2997	GWI	450316
2182353	GARLK	471472	21918	SKF	710413	2196504	GO-TI	8660S	21Y2997	GWI	472636
2182371	GARLK	471551	2191897	GMC	450194	2196505	GO-TI	8704S	22	CITRO	223035
21826	GARLK	473238	2191897	GMC	473010	2196506	GO-TI	8695S	22CT115	OSHKO	417254
21828	HYST	470088	21918D	IH	415995	2196508	GO-TI	5124	2209970046	MERCE	710962
218283TB	TRSCM	473244	21918D	IH	455013	2196509	GO-TI	8835S	2209970346	MERCE	710961
218284	ALLCH	415960	2192652	GMC	416865	2196511	GO-TI	9569S	22001	DANMA	470548
218284	ALLCH	455009	2192652	GMC	455070	2196512	GO-TI	2689S	22001	DANMA	470625
218294TL	TRSCM	472234	21934	C-R	416268	2196513	GO-TI	473228	220010	DANMA	473236
218304TB	TRSCM	8974S	21934	SKF	416268	2196513	GO-TI	51098	220011	MINNM	471787

INTERCHANGE SECTION

COMPETITIVE INTERCHANGES

Mfr No.	Mfr.	National	Mfr No.	Mfr.	National	Mfr No.	Mfr.	National	Mfr No.	Mfr.	National
220013	DANMA	204002	22029	SKF	4741	22056	GARLK	472397	221209	KEN	415001
220015	DANMA	473227	220294	CLARK	416011	220570	CINMI	415458	221209	KEN	455001
220017	DANMA	472015	220294	CLARK	417621	220570	CINMI	455003	221212	OILGR	450067
220018	DANMA	470548	220295R91	IH	450143	220570	CLARK	450291	221212	OILGR	473228
220018	DANMA	470625	2202993SA	TRSCM	450085	220570	CLARK	471141	22125	C-R	710108
220019	DANMA	204017	22030	C-R	4899	220571	CINMI	417355	22125	SKF	710108
22002	DANMA	450494	22030	C-R	5700	220631	US-EL	415034	22125	UNIVE	471538
22002	DANMA	472164	22030	SKF	4899	220631	US-EL	455034	2212953	GMC	474278
220020	DANMA	7781S	22030	SKF	5700	220705	BORGW	450430	2212953	GMC	480356
220021	DANMA	40370S	22031	C-R	225545	220705	FORD	450430	221344	CLARK	411376
220022	DANMA	204017	22031	SKF	225545	220705	WOODB	450430	22137	MICH	450025
22003	DANMA	471192	220316	ALLCH	450076	22071	GARLK	473242	22137	MICH	471553
22005	C-R	710169	220316	ALLCH	470334	220734	BORGW	471763	22137	UNIVE	450025
22005	DANMA	471801	22032	C-R	710463	22074	US-EL	416380	22137	UNIVE	471553
22005	SKF	710169	22032	SKF	710463	2207484	CHRYS	7886S	22138W	DIA	410308
22006	DANMA	470163	22033	C-R	4899	22075	C-R	5686	22138W	DIA	450308
22006	DANMA	471766	22033	SKF	4899	22075	C-R	5700	221400	MECH	370066A
22006	GARLK	471424	220337DSL	MICH	410708	22075	SKF	5686	221410	TIMKE	221410
22006X	MASSE	470064	22034	JOY	471570	22075	SKF	5700	22144	FMC	471820
22006X	MASSE	471821	22035	C-R	710146	220762	BORGW	471192	2214421000	HYUND	3771
22007	DANMA	450492	22035	GARLK	472924	220762	FORD	471192	2214421000	KIA	3771
2200730	CHRYS	471267	22035	SKF	710146	220762	WOODB	471192	2214421010	HYUND	3771
22008	DANMA	470169	220350	UNIVE	415483	22076X	MASSE	471652	2214421010	KIA	3771
22008	DANMA	473214	220350	UNIVE	455368	2207762	BORGW	471192	2214421016	HYUND	3771
22009	DANMA	50468	220362	MICH	415458	220785	ALLCH	470062	2214433004	HYUND	3771
22010	C-R	710578	220362	MICH	455003	220785	ALLCH	474264	2214435000	HYUND	3771
22010	SKF	710578	220362	UNIVE	415458	220816	CLARK	410085	2214435504	HYUND	223010
2201050	GRAM	450457	220362	UNIVE	455003	220816	CLARK	470530	2214435504	KIA	223010
2201055	GRAM	470163	22037	C-R	1993	220818	TIMKE	220818	2214437100	HYUND	3771
2201055	GRAM	471766	22037	SKF	1993	220845	CLARK	472258	2214437101	HYUND	3771
2201079X	GRAM	470027	220375	MICH	417343	220860	TIMKE	220860	2214437101	KIA	3771
2201079X	GRAM	471554	220375	UNIVE	417343	220866	CINMI	450316	2214439000	HYUND	223010
220126	CLARK	417344	22038	C-R	710393	220866	CINMI	472636	2214439000	KIA	223010
220126	CLARK	455006	22038	SKF	710393	2208947	GMC	476283N	2214439001	HYUND	223010
22013	C-R	710108	220387	UNIVE	415007	220915	JEFF	450154	2214439001	KIA	223010
22013	SKF	710108	220388	MICH	415007	220915	JEFF	473234	221443B000	HYUND	3771
22018	C-R	225650	220389R91	IH	410520	220918	TIMKE	220918	221443B000	KIA	710329
22018	SKF	225650	220389R91	IH	471272	2209970246	MERCE	710678	221443B001	HYUND	3771
220184	ALLCH	470163	220395	FORD	473215	22099H	IH	450083	221443B001	KIA	3771
220184	ALLCH	471766	2203RC	SUL	417316	22099H	IH	472924	2214442040	HYUND	3771
2201889	CHRYS	6241S	2203RC	SUL	455004	220PKG	TIMKE	220PKG	2214442880	HYUND	3771
220194	ALLCH	470219	220400	MECH	370066A	220R	TIMKE	220PKG	2214569	GMC	475012N
220194	ALLCH	471649	220400	UNIVE	417082	221000	NEHO	471870	2215	MID-R	471466
22020	C-R	225650	22041	C-R	225673	221000	NEHO	471883	22150	MICH	471579
22020	SKF	225650	22041	SKF	225673	2210228	GMC	340385	22150	UNIVE	471579
220207	CLARK	472213	22042	C-R	225678	221040	TIMKE	221040	221503	CLARK	471868
2202080	CHRYS	8160S	22042	SKF	225678	221042	CLARK	472432	221510	TIMKE	221510
220214	CLARK	474255	220439	CLARK	417487	221042	CLARK	474256	221518R91	IH	472560N
22022	C-R	710069	220439	CLARK	455086	221047	CLARK	472299	221518R91	IH	50151S
22022	SKF	710069	22045	C-R	712938	2210611	GMC	415991	221540	TIMKE	221540
22023	GARLK	472492	22045	SKF	712938	2211035	WOOL	455121	221551	JEFF	471765
22024	C-R	710393	22048	C-R	710069	221132065	TROS	204013	22159	GARLK	473204
22024	SKF	710393	22048	SKF	710069	22114405	TROS	7022S	221592R91	IH	40316S
22026	C-R	710464	22049	C-R	710771	22114407	TROS	203008	2216	MID	350567
22026	SKF	710464	22049	SKF	710771	221167	KEN	415656	2216	MID	471267
22027	C-R	225650	2204OS	JN-MN	415001	221192	CLARK	410316	2216	MID-R	471267
22027	SKF	225650	2204OS	JN-MN	455001	221192	CLARK	472636	221607	TIMKE	221607
22028	C-R	225673	22050	C-R	225650	22120	C-R	710176	221610	TIMKE	221610
22028	SKF	225673	22050	SKF	225650	22120	SKF	710176	2216104	GMC	481568
22029	C-R	4741	2205080	CHRYS	8160S	221207	TIMKE	221207	221620	TIMKE	221620

INTERCHANGE SECTION

COMPETITIVE INTERCHANGES



Mfr No.	Mfr. National	Mfr No.	Mfr. National	Mfr No.	Mfr. National	Mfr No.	Mfr. National
22168D	IH 415072	22225	C-R 1984	222835	TIMKE 222835	22322VAY	TRSCM 40316S
22171	GARLK 470898	22225	SKF 1984	22284	C-R 710086	22323	C-R 710072
221710	TIMKE 221710	2222591	GMC 415991	22284	SKF 710086	22323	SKF 710072
22171HA	IH 417181	2222591	GMC 455146	222860	TIMKE 222860	223230	TIMKE 223230
22171X	MASSE 415960	222272	BORGW 481792	222867	KEN 9555S	223235	TIMKE 223235
22171X	MASSE 455009	222272	FORD 481792	222867	PACIF 9555S	223240	TIMKE 223240
221720	TIMKE 221720	222273	FORD 471192	2228694	GMC 370023A	22324TA	TRSCM 410316
221730	TIMKE 221730	22230	C-R 710072	2228694	GMC 380023A	22325	C-R 43034S
22175	C-R 7568	22230	SKF 710072	222878	OILGR 473313	22325	SKF 43034S
22175	SKF 7568	222309	WOOL 415991	2229	NATEN 416137	223252	TIMKE 223252
2218	NATL 2218	222340	TIMKE 222340	22293	LAVIN 474276	223253	TIMKE 223253
2218	TIMKE 2218	2223597	GMC 417506	2229540	GMC 455037	223255	TIMKE 223255
221810	SPERY 471413V	222375	MICH 455151	222A14704	TROS 6840S	22325SA	TRSCM 450316
221820	TIMKE 221820	222375	UNIVE 455151	222A147X075	TROS 340469	2232735504	HYUND 710302
221830	TIMKE 221830	222387	UNIVE 455008	222PKG	TIMKE 222PKG	2232735504	KIA 710302
22186	GARLK 472015	222388	MICH 455008	222R	TIMKE 222PKG	223297	NEHO 410519
2218RC	SUL 415458	222408	KEN 456305	223	CHEL 471760	223297	NEHO 471271
2218RC	SUL 455003	222408	PACIF 456305	2230	NATEN 416339	2232D	GOODM 416706
221922	TIMKE 221922	222409	PACIF 340483	2230	NATEN 455031	2232D	GOODM 455272
22196X	IH 470358	222410	TIMKE 222410	223005	TIMKE 223005	22330	NEWPR 3459
22196X	IH 473231	222430	TIMKE 222430	223010	TIMKE 223010	22332R	DIA 450365
22196X	MASSE 470358	22245	C-R 1928	223012	TIMKE 223012	22332R	DIA 470898
22196X	MASSE 473231	22245	SKF 1928	223014	TIMKE 223014	22333	GMC 417536
22198	GARLK 472016	22250	C-R 1928	223015	NATL 223014	22333TB	TRSCM 412920
2219RC	SUL 411394	22250	SKF 1928	223018	TIMKE 223018	22333TBN	TRSCM 412920
2219RC	SUL 450317	2225342	GMC 471442	223020	TIMKE 223020	22333VB	TRSCM 442109
221PKG	TIMKE 221PKG	222535	TIMKE 222535	22302TA	TRSCM 471272	223340	TIMKE 223340
221R	TIMKE 221PKG	222539	ALLCH 473424	22302VHY	TRSCM 40520S	22334SA	TRSCM 450132
222020	TIMKE 222020	222540	ALLCH 450078	22303	GARLK 471272	22334TA	TRSCM 412920
222025	TIMKE 222025	222540	ALLCH 473444	223035	TIMKE 223035	223354TA	TRSCM 450099
222028	TIMKE 222028	222540	TIMKE 222540	22303VTB	TRSCM 712250	22336	C-R 450441
222030	TIMKE 222030	22254007	ALLCH 450078	223042H1	IH 410085N	22336	C-R 471341
222036	TIMKE 222036	22254007	ALLCH 473444	22304TA	TRSCM 410520	22336	SKF 450441
222050	TIMKE 222050	222541	NATL 222540	223050	TIMKE 223050	22336	SKF 471341
222060	TIMKE 222060	222558	TIMKE 222558	223051	TIMKE 223051	22338	C-R 450441
222079	PACIF 8724S	222571	CLARK 471413	22306	C-R 341022	22338	SKF 450441
2220881	GMC 6612S	2226149	CHRY 323138	22306	FMC 472150	2234	ALLCH 471570
2220883	GMC 40140S	22261VB	TRSCM 341022	22306	SKF 341022	22340	C-R 471341
2220RC	SUL 450519	222630	TIMKE 222630	223086	CLARK 416380	22340	C-R 471341N
2220RC	SUL 471271	2226530	GMC 415351	2230B	GOODM 417316	22340	SKF 471341
22210	GARLK 473243	2226549	GMC 415995	2230B	GOODM 455004	22340	SKF 471341N
222101	HOUGH 416107	2226549	GMC 455013	2230C	GOODM 417316	223400	TIMKE 223400
222101H1	IH 416107	222655	TIMKE 222655	2230C	GOODM 455004	22341	GARLK 412920
222110	HOUGH 412119	2226696	GMC 415458	2230D	GOODM 417316	223420	TIMKE 223420
222117	HOUGH 410308	2226696	GMC 455003	2230D	GOODM 455004	2234377	GMC 370012A
222120	HOUGH 472397	222714	ALLCH 470950	2231	CARDX 473463	2234378	GMC 370012A
2221481	GMC 471689	222714	ALLCH 6241S	2231056	GMC 471689	2234866	CHRY 415004
222182	CLARK 412473	2227339	GMC 411376	2231071	GMC 472636	2234866	CHRY 417316
222182	CLARK 415894	2227339	GMC 455093	22311	C-R 722109	2234D	GOODM 416282
222183	CLARK 415004	222742	TIMKE 222742	22311	SKF 722109	2235018	GMC 5778
222183	CLARK 417316	222743	TIMKE 222743	22313TB	TRSCM 471138	2235082	GMC 416888
2221RC	SUL 415302	222745	TIMKE 222745	2231431	GMC 5872S	223510	TIMKE 223510
2222	SHOV 415036	222768	CLARK 415991	22317	GARLK 471138	2235140	CHRY 450400
2222	TIMKE 2222	222768	CLARK 415991N	223184PTB	TRSCM 470737	223520	TIMKE 223520
222208	ALLCH 416125	2227716	CHRY 474276	223184PTB	TRSCM 470737N	22353	C-R 471272
222230	ALLCH 471765	222820	TIMKE 222820	2231D	GOODM 415960	22353	SKF 471272
2222374	GMC 417191	222828	CLARK 455018	2231D	GOODM 455009	223535	TIMKE 223535
222238	TIMKE 222238	222828	CLARK 476470	2232	CARDX 450456	223538	CLARK 415483
222240	TIMKE 222240	22282VH	TRSCM 43034S	223215	TIMKE 223215	22354	C-R 471272
2222423	GMC 471267	222830	TIMKE 222830	223220	TIMKE 223220	22354	SKF 471272

INTERCHANGE SECTION

COMPETITIVE INTERCHANGES

Mfr No.	Mfr.	National	Mfr No.	Mfr.	National	Mfr No.	Mfr.	National	Mfr No.	Mfr.	National
223540	TIMKE	223540	22389	LAVIN	471504	22414807	TROS	7486S	224460	TIMKE	224460
223542	TIMKE	223542	2238916	GMC	410085	22415	C-R	3095	224462	TIMKE	224462
223543	TIMKE	223543	2238916	GMC	470530	22415	SKF	3095	224464	TIMKE	224464
2235490	CHRYS	415013	2238917	GMC	410183N	224156	CINMI	415076	224465	TIMKE	224465
2235490	CHRYS	415995	22390	C-R	473473	22415HA	IH	411253	22448	C-R	410316
22354TA	TRSCM	411376	22390	SKF	473473	22415HA	IH	450099	22448	C-R	472636
22354TA	TRSCM	455093	22391	C-R	7937N	22416	C-R	710718	22448	SKF	410316
223550	TIMKE	223550	22391	SKF	7937N	22416	SKF	710718	22448	SKF	472636
223552	TIMKE	223552	2239124	CHRYS	475012N	2241RC	SUL	470682	224510	TIMKE	224510
223553	TIMKE	223553	22392	C-R	473473	224200S	TIMKE	710935	22452	NEWPR	710668
22358	C-R	410520	22392	SKF	473473	224205	TIMKE	224205	224520	TIMKE	224520
22358	C-R	471272	22393	WOOL	417159	224210	TIMKE	224210	224530	NATL	1012N
22358	SKF	410520	22394	C-R	7937N	224215	TIMKE	224215	22454	C-R	1932
22358	SKF	471272	22394	SKF	7937N	22422	GARLK	470565	22454	SKF	1932
223580	TIMKE	223580	223PKG	TIMKE	223PKG	224235	TIMKE	224235	224558	ALLCH	471442
22359	C-R	410520	223R	TIMKE	223PKG	22424	C-R	410737	22455806	ALLCH	471442
22359	C-R	471272	22400	C-R	471138	22424	SKF	410737	224570	TIMKE	224570
22359	HI-EQ	471570	22400	SKF	471138	22425	C-R	3095	224583	JEFF	415034
22359	SKF	410520	22400PTB	TRSCM	722250	22425	C-R	470737N	224583	JEFF	455034
22359	SKF	471272	224010	TIMKE	224010	22425	SKF	3095	22459	US-EL	470351
223601	TIMKE	223601	224015	TIMKE	224015	22425	SKF	470737N	22459	US-EL	471504
223602	TIMKE	223602	224020	TIMKE	224020	224250	TIMKE	224250	22461	GARLK	416271
223605	TIMKE	223605	224025	TIMKE	224025	224252	TIMKE	224252	2246311	SPICE	450083
223608	TIMKE	223608	224026	TIMKE	224026	224255	TIMKE	224255	2246311	SPICE	472924
22361	C-R	712250	2240314	GMC	475380N	224266	TIMKE	224266	2246312	SPICE	473473
22361	SKF	712250	22404	LAVIN	471733	224270	TIMKE	224270	2246313	SPICE	472015
223613	CLARK	471267	224040	TIMKE	224040	22430	C-R	200763	2246314	SPICE	472012
2236217	GMC	7840S	224045	TIMKE	224045	22430	SKF	200763	224637	SPICE	411253
2236257	GMC	475003N	224052	TIMKE	224052	2243081	GMC	416130	224637	SPICE	450099
22363	C-R	712250	224053	TIMKE	224053	22431	CLARK	330385	224638	CLARK	410308
22363	SKF	712250	224063	TIMKE	224063	22434	GARLK	413246	224642	ALLCH	470027
22368	C-R	40520S	224066	TIMKE	224066	22434	GARLK	413246N	224642	ALLCH	471554
22368	C-R	710638	224068	TIMKE	224068	224348	US-EL	472185	224644	ALLCH	470120
22368	SKF	40520S	22407	C-R	471138	224362	MICH	415984	224644	ALLCH	471224
22368	SKF	710638	22407	SKF	471138	224362	UNIVE	415984	224650	TIMKE	224650
2236978	GMC	7412S	22409	LAVIN	474278	224375	MICH	417316	2246580	GMC	5408
223725	KEN	415371	22409	LAVIN	480356	224375	MICH	455004	224660	TIMKE	224660
223750	TIMKE	223750	2240929	GMC	471765	224375	UNIVE	417316	224663	TIMKE	224663
223800	TIMKE	223800	2241	FED	450332	224375	UNIVE	455004	22468	C-R	40316S
223801	TIMKE	223801	224100	TIMKE	224100	224387	UNIVE	415960	22468	SKF	40316S
223802	TIMKE	223802	2241142	GMC	240731	224387	UNIVE	455009	224687	ALLCH	473424
223805	TIMKE	223805	2241143	GMC	240736	224388	MICH	415960	2247117	BMW	716484
22382	C-R	473473	22412404	TROS	473215	224388	MICH	455009	224772	CINMI	417604
22382	SKF	473473	22412408	TROS	473215	22440	C-R	472636	224777	ALLCH	240151
223820	NATL	1174	2241241125	TROS	473215	22440	SKF	472636	224779	ALLCH	470950
223830	TIMKE	223830	22412808	TROS	473225	224400	UNIVE	416706	224779	ALLCH	6241S
223831	TIMKE	223831	22413204	TROS	470380	224400	UNIVE	455272	22477908	ALLCH	470950
223832	NATL	223830	2241320625	TROS	470380	22440MA	IH	470045	22477908	ALLCH	6241S
22384	HI-EQ	471413	22413208	TROS	470380	22440MA	IH	476838	224810	ALLCH	471192
223840	TIMKE	223840	22413209	TROS	470380	22441	C-R	472636	224810	TIMKE	224810
223842	TIMKE	223842	22413212	TROS	410059	22441	NEWPR	710645	2248112	GMC	6863S
223843	TIMKE	223843	22413212	TROS	470380	22441	SKF	472636	224815	TIMKE	224815
2238543	GMC	5408	22413604	TROS	40438S	224425	UNIVE	416282	224820	NATL	1188
22388	LAVIN	473426	224136065	TROS	472299	22443	TMTR	473232	224820	TIMKE	224820
223880C1	CASE	472843	22413608	TROS	472299	224450	TIMKE	224450	22483	C-R	44052
2238860	CHRYS	415086N	22414004	TROS	473231	22446	C-R	450316	22483	SKF	44052
2238860	CHRYS	417487	22414008	TROS	470358	22446	C-R	472636	224830	NATL	224820
2238860	GMC	415086N	22414008	TROS	473231	22446	GARLK	413247	224835	TIMKE	224840
2238860	GMC	417487	22414404	TROS	473233	22446	SKF	450316	22484	C-R	454136N
22389	LAVIN	470351	22414408	TROS	473233	22446	SKF	472636	22484	SKF	454136N

INTERCHANGE SECTION

COMPETITIVE INTERCHANGES



Mfr No.	Mfr.	National	Mfr No.	Mfr.	National	Mfr No.	Mfr.	National	Mfr No.	Mfr.	National
224840	TIMKE	224840	22518	GOODM	471801	225650	TIMKE	225650	226017	CLARK	417474
224870	TIMKE	224870	22518	GR-DV	471801	225673	TIMKE	225673	226018	TIMKE	226018
224872	TIMKE	224872	225193	PACIF	416892	225678	TIMKE	225678	226020	TIMKE	226020
224874	TIMKE	224874	22510S	JN-MN	417247	225685	CLARK	450400	22604X	MASSE	450400
224914	ALLCH	240356	225210	TIMKE	225210	22569	GARLK	416273	226055	CLARK	471689
22492	C-R	411253	225220	TIMKE	225220	22569X	SPICE	340151	226056	CLARK	471442V
22492	SKF	411253	225225	TIMKE	225225	2257151	GMC	417353	22605X	MASSE	416404
22493	C-R	411253	225227	NATL	225650	225727	CLARK	470163	226072	CLARK	410694
22493	SKF	411253	225230	TIMKE	225230	225727	CLARK	471766	2260834	CHRYS	8121S
22494	ALLCH	240356	22525	C-R	481191V	225731	CINMI	416011	226099	CLARK	410496
2249532	BMW	716484	22525	SKF	481191V	225731	CINMI	417621	2261	TIMKE	325776
224955	ALLCH	240414	225275	TIMKE	225275	225732	CINMI	415187	226101	CLARK	472705
224979	TIMKE	224979	225281C91	IH	417349	225733	CINMI	470059	226127	CLARK	471870
224A13208	TROS	470380	22529188	GMC	40375	225733	CINMI	470380	226127	CLARK	471883
224A13208	TROS	472189A	2253	UNIVE	450301	225736	CASE	471554	226128	CLARK	470403
224A132X12	TROS	9613S	2253	UNIVE	472397	225737	CINMI	470219	226128	CLARK	470774
224B12406	TROS	9568	22531277	GMC	320259	225737	CINMI	471649	2261370825	TROS	450666
224B136065	TROS	472299	225316	CLARK	472164	225767	ALLCH	450078	226137X08	TROS	450666
224PKG	TIMKE	224PKG	22531F	DIA	417484N	225767	ALLCH	473444	22614	C-R	3095
224R	TIMKE	224PKG	22531F	DIA	455322	225775	TIMKE	4899	22614	SKF	3095
225005	TIMKE	225005	22532	C-R	412920	2258	MID	350394	226147	ALLCH	415995
225010	NATL	1209	22532	SKF	412920	2258	MID	473227	226147	ALLCH	455013
225010	TIMKE	225010	22533550	GMC	710329	2258	MID-R	473227	226150	TIMKE	226150
225019	MIHLE	416476	225349	CLARK	450441	225806	ALLCH	42260S	22617	GARLK	413248
225019	MIHLE	455075	225349	CLARK	471341	22582	C-R	411376	22618	C-R	415234
225019R	MERIX	416476	22536	GARLK	471271	22582	SKF	411376	22618	SKF	415234
225019R	MERIX	455075	2253622	GMC	472015	225826	CLARK	475380N	22619	C-R	415234
225019R	ROCKW	416476	225400	MECH	370054A	2258269	GMC	417541	22619	SKF	415234
225019R	ROCKW	455075	225409	CINMI	470027	22583	C-R	411376	226207	PEUGE	224052
225020	MIHLE	455576	225409	CINMI	471554	22583	SKF	411376	22623	MASSE	471763
225020	TIMKE	225020	225410	TIMKE	225410	225834R91	IH	474278	22623X	MASSE	471763
225020R	MERIX	455576	225419	CINMI	450082	225834R91	IH	480356	22625	C-R	475234N
225020R	ROCKW	455576	225419	CINMI	473238	225835R91	IH	474278	22625	SKF	475234N
225030	TIMKE	225030	225450	ALLCH	450444	225835R91	IH	480356	22626	C-R	415259
225040	TIMKE	225040	225450	ALLCH	471835	225844	ALLCH	450984	22626	SKF	415259
225050	TIMKE	225050	225450	CLARK	450444	225856	CLARK	471281	226285	TIMKE	226285
22505150	GMC	8660S	225450	CLARK	471835	22587	C-R	5521	22630X	MASSE	450068
2250534	GMC	471103	225450	TIMKE	225450	22587	SKF	5521	22632	GARLK	415483
2250534	GMC	50197S	22545259	GMC	40375	2258746	GMC	415138	2263635	GMC	417181
2250582	GMC	410101N	22545260	GMC	320259	225875	TIMKE	225875	2263701	GMC	417210
22506073001	BMW	710849	225477	CLARK	471267	225885	TIMKE	225885	2263712	GMC	416271
22507	NEWPR	710496	22548	GARLK	470605	2258893	GMC	370005A	226375	MICH	455005
225082	TIMKE	225082	22550	C-R	442109	2258907	GMC	370005A	226375	UNIVE	455005
225110	TIMKE	225110	22550	SKF	442109	2259040	GMC	415058	226387	UNIVE	417485
225111	CLARK	415458	225500	TIMKE	225500	225909	CLARK	415272N	226388	MICH	417485
225112	CLARK	470169	225502	HYST	473228	225928	CINMI	450069	226403	PEUGE	223800
225112	CLARK	473214	22551	GARLK	415449	225928	CINMI	473232	226406	PEUGE	6712NA
225112	GOODM	470169	225530	TIMKE	225530	225929	CLARK	471224	226408	PEUGE	224052
225112	GOODM	473214	225535	TIMKE	225535	225940	CINMI	470120	226400	MECH	370066A
225114	GWI	473016	225545	TIMKE	225545	225940	CINMI	471224	226400	UNIVE	475384
22511514	GMC	8660S	22557	GARLK	415449	2259540	GMC	455037	2264272	GMC	473447
225117	CINMI	417344	22558	C-R	412920	225957	CLARK	473010N	2264274	GMC	415003
225117	CINMI	455006	22558	SKF	412920	2259657	GMC	370009A	2264274	GMC	415458
225119	ALLCH	472354	22561	C-R	412920V	2259657	GMC	380009A	2264287	GMC	470565
225119	ALLCH	50395S	22561	SKF	412920V	2259662	GMC	370019A	22644	C-R	55337
225124	CLARK	450400	225615	SPERY	473237	2259713	GMC	370002A	22644	GARLK	415458
225161	CLARK	415991	2256492	GMC	370002A	2259995	GMC	416271	22644	SKF	55337
225161	CLARK	415991N	2256495	GMC	370002A	225PKG	TIMKE	225PKG	22647	C-R	415254
225177	CLARK	475003N	22565	C-R	41075S	225R	TIMKE	225PKG	22647	SKF	415254
22518	CABOT	471801	22565	SKF	41075S	2260	TIMKE	2260	226510	TIMKE	226510

INTERCHANGE SECTION

COMPETITIVE INTERCHANGES

Mfr No.	Mfr.	National	Mfr No.	Mfr.	National	Mfr No.	Mfr.	National	Mfr No.	Mfr.	National
226520	TIMKE	226520	227400	MECH	370066A	22810X	MASSE	340356	22835	C-R	493291
22653	C-R	722250	227409	TIMKE	227409	22811	VICK	415991	22835	SKF	493291
22653	SKF	722250	22742	C-R	39821	22811	VICK	455146	22835X	MASSE	417158
226530	TIMKE	226530	22742	SKF	39821	228112075	TROS	470347	22835X	MASSE	455355
22656	GARLK	417343	22745	GMC	470712	228112075	TROS	474254	22836X	MASSE	50081
2265811	CHRYS	8133S	22746X	MASSE	415007	22812	GARLK	416921	228375	MICH	417344
2265D	GOODM	474277	2274887	GMC	470565	22812	HI-EQ	472164	228375	MICH	455006
226610	TIMKE	226610	2274890	GMC	410737	22812404	TROS	470950	228375	UNIVE	417344
226620	ALLCH	6759S	2274890	GMC	450737	22812404	TROS	6241S	228375	UNIVE	455006
2266378	CHRYS	8121S	227530	TIMKE	227530	2281240475	TROS	6241S	228375SLT	MICH	417344
226672	OILGR	450457	2275322	ALLCH	6863S	228124075	TROS	470950	22837X	MASSE	415007
226673	OILGR	50528	2275398	GMC	6584S	228124075	TROS	6241S	228385	CLARK	475368N
2266839	CHRYS	6960	227540	TIMKE	227540	22812409	TROS	470950	228387	UNIVE	417158
2266894	CHRYS	8597S	227550	TIMKE	227550	22812409	TROS	6241S	228387	UNIVE	455355
2267129	CHRYS	7188S	2275550	VICK	6584S	228128075	TROS	470062	2283872	GMC	5403
2267156	CHRYS	7214	227572	ALLCH	5128N	228128075	TROS	474264	228388	MICH	416404
2267583	GMC	417596	22761722	GMC	710648	22813204	TROS	7886S	22840	C-R	710136
2267915	GMC	350435	22761722	SAAB	710648	228132075	TROS	471820	22840	SKF	710136
22679M	IH	470062	2276335	GMC	410085	22813604	TROS	471821	228400	MICH	416921
22679M	IH	474264	2276335	GMC	470530	228136075	TROS	470064	228400	MICH	455011
2268	GOODM	471466	227677	ALLCH	414268	228136075	TROS	471821	228400	UNIVE	416921
22680M	IH	450043	227677	ALLCH	450539	228138075	TROS	473232	228400	UNIVE	455011
22680M	IH	473419	2276796	GMC	470358	22814007	TROS	450066	22841	C-R	225875
22683	GARLK	416664	2276796	GMC	473231	22814007	TROS	473367	22841	SKF	225875
2268RC	SUL	471466	2276798	GMC	350823	228140075	TROS	450066	228410	TIMKE	228410
2269	NATEN	416229	2276798	GMC	473454	228140075	TROS	473367	228411	TIMKE	228411
226938R91	IH	7866S	22767D	IH	450040	228140145	TROS	471419	228412	UNIVE	417134
226940	CLARK	410101N	22770	GARLK	415303	228140145	TROS	473367	228413	MICH	417134
22698	GARLK	415984	2278189	GMC	415147	22814405	TROS	473445	2284159	GMC	6638S
226A14703	TROS	8705S	2278189	GMC	415449	228144075	TROS	473445	22842	C-R	710271
226A1540375	TROS	291295	22782	GARLK	417344	22814804	TROS	43071S	22842	SKF	710271
226A1560375	TROS	7934S	227841	ALLCH	471570	228148045	TROS	470351	22845	C-R	710144
226B15604	TROS	353120	22785	CHERY	416444	22814806	TROS	470351	22845	SKF	710144
226PKG	TIMKE	226PKG	227850	ALLCH	410059	22814806	TROS	471504	228480	TIMKE	228480
226R	TIMKE	226PKG	227850	ALLCH	470380	228148075	TROS	470351	2284OS	JN-MN	416404
227006R91	IH	471413	2278653	GMC	340400	228148075	TROS	471504	228500	FMS	716102
227020	TIMKE	227020	22789	CHERY	450067	22818	BR-WN	415294	228520	TIMKE	228520
227040	TIMKE	227040	22789	CHERY	473228	22818	BR-WN	455294	228547	CLARK	471268N
227045	TIMKE	227045	2279	NATL	3894V	22819	BR-WN	450400	2285OS	JN-MN	415001
22710	GARLK	417316	22791	CHERY	473016	228192	ALLCH	473435	2285OS	JN-MN	455001
227114R91	IH	418028	22791	GARLK	417158	2282068	GMC	471192	2286	TIMKE	2286
227114R91	IH	455137	22791X	MASSE	417158	22821	C-R	710183	2286162	GMC	350954
227149075	TROS	6936S	22791X	MASSE	455355	22821	SKF	710183	2286162	GMC	470954
227160075	TROS	470409	2279997	CHRYS	8773S	22822	C-R	225875	2286171	GMC	416167
227178	CINMI	470712	227PKG	TIMKE	227PKG	22822	SKF	225875	2286171	GMC	455091
2271832	GMC	474278	227R	TIMKE	227PKG	2282265	GMC	415483	2286911	GMC	470163
2271832	GMC	480356	228206	ELRNG	710681	22823	C-R	225885	2286911	GMC	471766
227189	CINMI	417316	228005	TIMKE	228005	22823	SKF	225885	2286OS	JN-MN	415035
227189	CINMI	455004	228008	TIMKE	228008	2282361A01	SUZUK	6712NA	2286OS	JN-MN	455035
22719	GARLK	415960	228009	TIMKE	228009	22824	C-R	225875	2287	TIMKE	2287
227221	CINMI	415047	228010	TIMKE	228010	22824	SKF	225875	22870	C-R	204035
227235	TIMKE	227235	228015	TIMKE	228015	228247	ALLCH	340724	22870	SKF	204035
227272R91	IH	415147	228020	ALLCH	411376	228250	TIMKE	228250	228700	TIMKE	228700
227272R91	IH	415449	228020	ALLCH	455093	22826X	MASSE	470548	22878	C-R	710268
227338R91	IH	100495	228020	TIMKE	228020	22826X	MASSE	470625	22878	SKF	710268
227338R91	IH	415281N	22808	C-R	710439	228277	ALLCH	472432	2288154J10	SUZUK	223830
22734X	MASSE	473225	22808	SKF	710439	228277	ALLCH	474256	2288160G10	SUZUK	710524
227355	MASER	710780	22810	VICK	416167	22827X	MASSE	470059	2288160G10000	SUZUK	710524
227360	MASER	710671	22810	VICK	455091	22827X	MASSE	470380	2288160G11	SUZUK	223830
227374	MASER	224510	228108075	TROS	450332	228313KB	TRSCM	493291	2288179C10	SUZUK	223830

INTERCHANGE SECTION

COMPETITIVE INTERCHANGES



Mfr No.	Mfr.	National	Mfr No.	Mfr.	National	Mfr No.	Mfr.	National	Mfr No.	Mfr.	National
2288182300	SUZUK	223831	2295935	GMC	415064	23121222771	BMW	473677	23070S	JN-MN	415064
2288186200	SUZUK	224010	2295936	GMC	370021A	23121222972	BMW	223050	230851	ALLCH	471765
228885R91	IH	370007A	22964	PERSN	471766	2300	TIMKE	2300	230874R91	IH	7600S
228885R91	NAVST	370007A	2296526	GMC	471787	23000	C-R	710902	23093	C-R	411394
22892	LAU	6863S	22966	VICK	450121	23000	FUNK	450117	23093	SKF	411394
2289513	GMC	6612S	22966	VICK	472409	23000	FUNK	472572	230947	SPICE	J1124
228A10004	TROS	321516	22967	VICK	416865	23000	SKF	710902	230947	VIC	J1124
228A10004	TROS	471516	22967	VICK	455070	2300768	EATON	472164	2309480	GMC	417484N
228A10005	TROS	321516	2296767	GMC	471529	23009	GARLK	417349	2309480	GMC	475322N
228A10005	TROS	471516	22969	VICK	39302	230106	FWD	370001A	23095	CLARK	415248N
228A108075	TROS	472681	2297	NATL	39807	230106	FWD	380001A	230954	CLARK	415248N
228A108075	TROS	473259	229725	ALLCH	470680	23010610	GMC	340847	230D4	WHITE	472144
228A11605	TROS	471407	229725	ALLCH	471570	23013719	GMC	473367	230PKG	TIMKE	230PKG
228A12404	TROS	471276	229727	ALLCH	471570	2301400475	TROS	6283S	230R	TIMKE	230PKG
228A124075	TROS	471276	2297V	TIMKE	2297V	23015975	GMC	6712NA	231003	TIMKE	231003
228A13204	TROS	471344	2298288	GMC	5313	23016643	ALLIS	710180	231004	TIMKE	231004
228A132075	TROS	471344	229859	CLARK	472082	23016947	GMC	487397V	23104	GARLK	416011
228A13209	TROS	471344	2299	UNIVE	471192	23018	GARLK	417350	23104	GARLK	417621
228A132155	TROS	471344	229967	ALLCH	410059	2301820	GMC	416888	231052	SPICE	J1128
228A13604	TROS	471827	229967	ALLCH	470380	230183	MARMO	410183N	231052	VIC	J1128
228A13608	TROS	8160S	229985	CLARK	450519	23018538	GMC	415073V	231074	ALLCH	471652
228A13608X	TROS	8160S	229985	CLARK	471271	230186	FWD	370001A	2311035	WOOL	450365
228A136X125	TROS	471827	229985	IH	450519	230186	FWD	380001A	2311035	WOOL	470898
228A14010	TROS	471829	229985	IH	471271	2302139	GMC	416167	23111	ALLCH	415995
228A140125	TROS	471829	229995R91	IH	240731	2302139	GMC	455091	23111	ALLCH	455013
228A14804	TROS	471831	229PKG	TIMKE	229PKG	23033	CASE	472258	23111030540	BMW	222540
228A14806	TROS	1012N	229R	TIMKE	229PKG	23033	GARLK	415836	23111204223	BMW	710714
228A148075	TROS	470351	22A2094	HEIL	415483	23033	GARLK	415995	23111224801	BMW	710714
228A148075	TROS	471504	22A2094	HEIL	455368	23035	C-R	442874	23111224939	BMW	710714
228B14014	TROS	471829	22A2291	HEIL	417538	23035	SKF	442874	23111228314	BMW	223010
228B15804	TROS	8704S	22A2291	OLIVE	417538	230387	UNIVE	417159	2311550	GMC	471466
228PKG	TIMKE	228PKG	22A2383	HEIL	471267	23040	C-R	411160V	23116	GARLK	416288
228R	TIMKE	228PKG	22A2385	HEIL	474278	23040	KNICK	5751	23117518638	BMW	474288
229	MERIX	370003A	22A2385	HEIL	480356	23040	SKF	411160V	23117531360	BMW	710714
229	MERIX	380003A	22A2450	HEIL	416865	230400	MICH	416654	23117537914	BMW	710714
229	ROCKW	370003A	22A2450	HEIL	455070	230400	MICH	455012	23117550058	BMW	224045
229	ROCKW	380003A	22HS376	OSHKO	417210	230400	UNIVE	416654	23118609224	BMW	710714
229004	TIMKE	229004	22X25261A	JOHND	473474	230400	UNIVE	455012	23118FX	OSHKO	470605
229005	TIMKE	229005	22X25561A	JOHND	472658	230412	UNIVE	417486	2311D5	WHITE	474278
229010	TIMKE	229010	22X25561A	JOHND	473197	23041246	GMC	415073V	2311D5	WHITE	480356
2291	TIMKE	2291	22X82740A	JOHND	415066	230413	MICH	417486	23121201279	BMW	223010
229108	ALLCH	471958	22X82741A	JOHND	J1134	23042	GARLK	417351	23121202715	BMW	223010
22918	VICK	350954	22Y618	GW	470059	230425	BENDI	471795	23121204209	BMW	223830
22918	VICK	470954	22Y618	GW	470380	23044H	IH	473463	23121205186	BMW	223010
229210	TIMKE	229210	22Y618	KEN	470059	23045096	GMC	471224V	23121205340	BMW	473677
229229	ALLCH	470625	22Y618	KEN	470380	230462R91	IH	417316	23121220619	BMW	223535
229285R11	IH	5MR1009	22Y815	GW	415001	230462R91	IH	455004	23121220619	BMW	711027
229313VHY	TRSCM	204035	22Y815	GW	455001	23046430	GMC	415073V	23121222677	BMW	710714
229351	ALLCH	450121	23	WGEAR	471646	23049496	GMC	4528N	23121228333	BMW	710714
229351	ALLCH	472409	23007509734	BMW	710816	23049636	GMC	4532N	23121228443	BMW	710714
229367	CLARK	472164	23017837412	BMW	473677	23049814	GMC	4529N	23121228492	BMW	711027
229367	CLARK	472164V	23111020500	BMW	710310	23049846	GMC	4530	23121228493	BMW	711027
229367	CLARK	482164N	23111224799	BMW	224052	23061	C-R	472150	23121282394	BMW	710714
229372	ALLCH	471255	23111426063	BMW	710909	23061	SKF	472150	231217	ALLCH	415995
2293807	GMC	471787	23117501327	BMW	710909	230630	ACF	470169	231217	ALLCH	455013
2293979	GMC	456618	23117518633	BMW	710816	230630	ACF	473214	231250	TIMKE	231250
229436	HR-DV	450070	23117531365	BMW	710783	230689	ACF	470169	231270	BENDI	471103
229436	HR-DV	472185	23121222207	BMW	710279	230689	ACF	473214	231270	BENDI	50197S
22952051	GMC	710864	23121222208	BMW	710279	230747	BENDI	471689	2312737	GMC	474276
229522	TIMKE	229522	23121222769	BMW	710909	230747	GMC	471689	23127501328	BMW	711027

INTERCHANGE SECTION

COMPETITIVE INTERCHANGES

Mfr No.	Mfr.	National	Mfr No.	Mfr.	National	Mfr No.	Mfr.	National	Mfr No.	Mfr.	National
23127501580	BMW	710714	23212408	TROS	450444	232676	STUDE	411500	2330114	H-S	471554
23127501582	BMW	710714	23212408	TROS	471835	23270117	GMC	710536	233012	H-S	415960
23128677736	BMW	710714	23212808	TROS	473226	232712	CLARK	415984	2330120	H-S	472015
2312879	GMC	240733	23213205	TROS	473228	232714	ALLCH	450121	23302VH	TRSCM	41026S
2312883	GMC	350567	23213205	TROS	51098	232714	ALLCH	472409	233064SA	TRSCM	480988H
2312883	GMC	471267	23213207	TROS	473228	2327142	ALLCH	450121	2330B	GOODM	417344
231296	CLARK	J1134	23213207	TROS	51098	2327142	ALLCH	472409	2330B	GOODM	455006
23130	C-R	5924	23213208	TROS	450067	2327284	GMC	415836	2330C	GOODM	417344
23130	SKF	5924	23213208	TROS	473228	2327284	GMC	415995	2330C	GOODM	455006
231302VB	TRSCM	442874	23213209	TROS	471193N	2327286	GMC	470358	23315606	TROS	340823
231305	CLARK	J1126	232132105	TROS	473228	2327286	GMC	473231	233156X06	TROS	332062
231324SA	TRSCM	450317	23213211	TROS	473228	2327401	GMC	100495	23317	MALL	472951
231334	CLARK	416271	23213212	TROS	473228	2327401	GMC	415281N	23317	MALL	474252
231335	CLARK	415138	23213308	TROS	473228	23275	C-R	710684	233186	BRCWY	410308
231336	CLARK	416339	23213308	TROS	51098	23275	GARLK	417353	233186	BRCWY	450308
2313534	GMC	240731	23213608	TROS	450185	23275	SKF	710684	2332303	GMC	370003A
2314093	GMC	415371	23213608	TROS	473229	23276	C-R	710430	2332303	GMC	380003A
2314094	GMC	456865N	23213808	TROS	482253	23276	SKF	710430	23324PSB	TRSCM	480574H
23143	GARLK	417171	23214006	TROS	473010	23277	C-R	455321	2332D	GOODM	416921
2315000	FMC	455189	23214006C	TROS	473010N	23277	SKF	455321	2332D	GOODM	455011
23152	C-R	410694	23214008	TROS	450194	23278	C-R	710168	233313VH	TRSCM	5924
23152	SKF	410694	23214008	TROS	473010	23278	SKF	710168	23332VH	TRSCM	40101S
231655	BRCWY	417181	23214012	TROS	450194	232780	CINMI	450301	23332VH	TRSCM	442507
23167	C-R	450133	23214012	TROS	473010	232780	CINMI	472397	23334PTA	TRSCM	410101N
23167	SKF	450133	23214406	TROS	473234	2328067	GMC	470358	233374SA	TRSCM	450350
23169	C-R	450133	23214408	TROS	450154	2328067	GMC	473231	233374TA	TRSCM	413247
23169	SKF	450133	23214408	TROS	473234	2328068	GMC	351267	2334388	GMC	5481
231717	CLARK	472705	23214409	TROS	473234	2328068	GMC	471267	23344SA	TRSCM	450103
23172	VICK	470163	23214412	TROS	473234	2328069	GMC	471267	23344TA	TRSCM	410987
23172	VICK	471766	232144X10	TROS	473234	2328334	GMC	370024A	23346	GARLK	416294
231733	BRCWY	415995	23214804	TROS	472164	23286	C-R	710121	2334838	GMC	370005A
231733	BRCWY	455013	23214806	TROS	450494	23286	SKF	710121	2335152	GMC	470358
23175	VICK	472439	23214806	TROS	472164	232862	CLARK	416888	2335152	GMC	473231
23176	VICK	350909	232148065C	TROS	451147H	2328694	GMC	370024A	23353PTB	TRSCM	475095N
23176	VICK	471224	23214808	TROS	450352	2328694	GMC	6864S	2336	FALKE	415379
2317614	GMC	370003A	23214808	TROS	472164	23290	C-R	710572	2336	FALKE	455379
2317614	GMC	380003A	23214810	TROS	472164	23290	SKF	710572	2336132	GMC	471570
2317696	GMC	6612S	23214812	TROS	472164	23299	C-R	710231	2336333	GMC	330385
231811	HYST	473237	232148X08	TROS	472164	23299	SKF	710231	23363TB	TRSCM	475380N
23184	C-R	416444	232160045	TROS	6815	232995	CLARK	415234	23364	GARLK	412473
23184	SKF	416444	23216006	TROS	471195	232A144045	TROS	40154S	23364	GARLK	415894
231842	CLARK	417554	23216006	TROS	481195	232A15607	TROS	482041N	2338	CONTI	470548
231843	CLARK	J1138	232173	ALLCH	471958	232A15607C	TROS	482041N	2338	CONTI	470625
2318576	GMC	415995	23220004	TROS	352541	232B12405	TROS	7687S	23382	FWD	472636
2318576	GMC	455013	23221	GARLK	476470	232E14006	TROS	473010	23384SA	TRSCM	455860
231884	CLARK	417484N	232220	HYST	471765	232E14006C	TROS	473010	23385	NEWPR	710058
231884	CLARK	475322N	2322621	GMC	370003A	232PKG	TIMKE	232PKG	23385	NOK	710885
231901	GMC	6064	2322621	GMC	380003A	232R	TIMKE	232PKG	23394	GARLK	417354
2319067	GMC	6358	23234	C-R	710910	233	CARVR	470163	2339F	IH	450094
231950	HYST	416288	23234	SKF	710910	233	CARVR	471766	2339F	IH	473462
23199	VICK	450291	23236	GARLK	417181	233S443173945	BENDI	470950	233PKG	TIMKE	233PKG
23199	VICK	471141	2323680	GMC	470543	233S443173945	BENDI	6241S	233R	TIMKE	233PKG
231PKG	TIMKE	231PKG	2323680	GMC	474272	23300	C-R	3945	234	CARVR	470163
231R	TIMKE	231PKG	2324	CASE	6575S	23300	C-R	4131	234	CARVR	471766
2320064	GMC	450400	23243	VICK	416476	23300	C-R	493637	234003	HYST	471281
2320312	GMC	415302	23244	C-R	710508	23300	SKF	3945	234013	ALLCH	473245
23206	HYST	470120	23244	SKF	710508	23300	SKF	4131	234047	HYST	412119
23206	HYST	471224	23264H	IH	415007	23300	SKF	493637	23405	CONTI	415234
232077	CINMI	416892	23264HA	IH	415007	2330111	H-S	473439	23405	IH	415234
23212006	TROS	481834	23264HB	IH	415007	2330114	H-S	470027	23414012	TROS	8477S

INTERCHANGE SECTION

COMPETITIVE INTERCHANGES



Mfr No.	Mfr. National	Mfr No.	Mfr. National	Mfr No.	Mfr. National	Mfr No.	Mfr. National
2342	FALKE 415551	23501819	GMC 470954V	2359469	GMC 473454	23676D	IH 471466
23427	C-R 710794	2350300	SHEP 450301	235PKG	TIMKE 235PKG	23678	C-R 412038N
23427	SKF 710794	2350300	SHEP 472397	235R	TIMKE 235PKG	23678	SKF 412038N
23420S	JN-MN 415988	2350310	SHEP 450185	23601	GARLK 417355	23682	GARLK 416339
2343139	GMC 370024A	2350310	SHEP 473229	2360331	GMC 450067	236835	HYST 415379
2343139	GMC 6864S	23503969	GMC 710258	2360331	GMC 473228	2368357	GMC 370002A
23432	C-R 710093	23507225	DETRO 5460	23604	VICK 471570	236836	HYST J1126
23432	SKF 710093	23507225	DETRO JF2282	236065	ALLCH 470163	23685	C-R 413246N
234321	BENDI 470358	23507225	GMC 5460	236065	ALLCH 471766	23685	C-R 480574H
234321	BENDI 473231	23507225	GMC JF2282	23606R	DIA 45637S	23685	C-R 483246N
234322	BENDI 471689	23507226	DETRO JF2280	23609	PEUGE 1172	23685	SKF 413246N
23436	C-R 226018	23507226	GMC JF2280	23613	GARLK 416125	23685	SKF 480574H
23436	SKF 226018	235090	ALLCH JV949	23613208	TROS 410190	23685	SKF 483246N
23439	C-R 226020	23511	GARLK 476424N	23613608	TROS 450143	23691	C-R 710313
23439	SKF 226020	23511903	ALLCH 200865	23614006	TROS 291099	23691	SKF 710313
23440	C-R 226020	23513578	GMC 5424	23614808	TROS 450361	23692	C-R 710576
23440	SKF 226020	23514608	GMC 41537	23614808	TROS 472193	23692	SKF 710576
23440	VIC 450365	23516969	GMC 5424	23615	C-R 710567	236932	EATON 470605
23440	VIC 470898	235183	CLARK 416273	23615	SKF 710567	236939	EATON 470077
234449R91	IH 240733	2351945	GMC 5778	23615207C	TROS 203006	236939	EATON 474281
23446	C-R 712006	23522435	DETRO 4458V	236156075	TROS 2692	23694	C-R 5119
23446	SKF 712006	23522435	GMC 4458V	23616008	TROS 9015S	23694	SKF 5119
23450	C-R 4539V	2352354	GMC 470898	23617	C-R 710468	23695	C-R 410101N
23450	SKF 4539V	2352381	GMC 350679	23617	SKF 710468	23695	SKF 410101N
2345112	GMC 456865N	2352381	GMC 470954	236200085	TROS 331301N	236A15605	TROS 350936
234512	CLARK 100494	2352810	GMC 480630	236224R91	IH 450352	236PKG	TIMKE 236PKG
234512	CLARK 416470N	2352811	GMC 480630	236224R91	IH 472164	236R	TIMKE 236PKG
234521	SPERY 470565	2352836	GMC 410496	23626	C-R 710637	237	MERIX 100495
234576	CLARK 416865	2352946	GMC 416273	23626	SKF 710637	237	MERIX 5601
23458	C-R 710182	235296	ALLCH 473438	23630	C-R 41026S	237	ROCKW 100495
23458	SKF 710182	2353016	GMC 6808N	23630	SKF 41026S	237	ROCKW 5601
23460	GARLK 416624	235312	ALLCH 417344	23632	C-R 470764	23701	C-R 412119
234631	GMC 470898	23531202	ALLCH 417344	23632	SKF 470764	23701	SKF 412119
234631	SPICE 470898	2353335	GMC 472636	23640	C-R 41026S	23702	C-R 412119
23466	VICK 470403	235393	CLARK 473010N	23640	SKF 41026S	23702	C-R 472856
23466	VICK 470774	235394	CLARK 482041N	23641	C-R 3393	23702	SKF 412119
2346838	GMC 450067	235404R91	IH 415013N	23641	SKF 3393	23702	SKF 472856
2346838	GMC 473228	235404R91	IH 415995V	23644	C-R 473474	23702D	IH 450084
2347192	GMC 350414	235430	HYST 417344	23644	SKF 473474	23703	C-R 410101N
2347192	GMC 472311	2354323	GMC 410496	23645	C-R 473474	23703	SKF 410101N
2347294	GMC 416071	2354732	GMC 415836	23645	SKF 473474	237033	ALLCH 450183
2347374	GMC 350156	2354732	GMC 415995	23646	C-R 470565	237033	ALLCH 472179
2347374	GMC 473096	2355087	GMC 6863S	23646	GARLK 416041	23706	C-R 412119
234761	CLARK 100495	2355113	VOLVO 311189	23646	SKF 470565	23706	SKF 412119
234761	CLARK 415281N	235533	VICK 343185	23652	C-R 470565	23708	C-R 412119
234820	BENDI 470358	23559	MALL 471688	23652	SKF 470565	23708	C-R 450101
234820	BENDI 473231	235593	CLARK 456967V	23654	C-R 470565	23708	SKF 412119
23489	FBG 710468	235655	CLARK 485364N	23654	SKF 470565	23708	SKF 450101
23499	GARLK 417196	235657	ALLCH 410085N	23655	GARLK 415379	237082R91	IH 450352
234999	CLARK 714512	235665	GMC 473215	2365OS	JN-MN 415551	237082R91	IH 472164
234PKG	TIMKE 234PKG	2357683	GMC 370024A	2366034	GMC 410737	23710	C-R 412119
234R	TIMKE 234PKG	2357684	GMC 417541	2366119	GMC 417480	23710	SKF 412119
23500139	GMC 5163	23580	GARLK 415937	2366119	GMC 455860	237112	FAIRB 473215
23500286	GMC 3945	2358463	GMC 470308N	236623	BENDI 471737	237112	JA-MI 473215
2350041	SHEP 450070	23590	C-R 370182A	23666	C-R 473475	237112	JAE 473215
2350041	SHEP 472185	23590	C-R 370199A	23666	SKF 473475	237112Q7	GEHL 473215
2350061	SHEP 411253	23590	C-R 370352A	23667	GARLK 417205	237114	GR-DV 473225
2350061	SHEP 450099	23590	SKF 370182A	236679	CLARK 311189	237116	BUC-E 470059
23501544	GMC 5424	23590	SKF 370199A	23673	C-R 470574N	237116	BUC-E 470380
2350160	SHEP 450463	23590	SKF 370352A	23673	SKF 470574N	237116	FAIRB 470059

INTERCHANGE SECTION

COMPETITIVE INTERCHANGES

Mfr No.	Mfr.	National	Mfr No.	Mfr.	National	Mfr No.	Mfr.	National	Mfr No.	Mfr.	National
237116	FAIRB	470380	2378042	HR-DV	473467	2386619	GMC	370018A	23W015	SHOV	411253
237116	GR-DV	470059	23782	C-R	416271	23870	C-R	5487	23W015	SHOV	450099
237116	GR-DV	470380	23782	SKF	416271	23870	SKF	5487	24137519344	ROLLS	710487
237116	LEROI	470059	2378547	HR-DV	481073	23870101	JOHND	415958	24147571213	ROLLS	710780
237116	LEROI	470380	237909	ALLCH	413247	23873H	IH	415960	24317519352	ROLLS	710484
237116	STEEL	470059	237909	ALLCH	450350	23873H	IH	455009	24577096	SAAB	710603
237116	STEEL	470380	237913R1	IH	42101S	2387418	GMC	472164	24121423529	BMW	710867
237120	BUC-E	470358	237919	CLARK	411143N	2387420	GMC	472164	24130418458	BMW	710487
237120	BUC-E	473231	237919	TREME	411143N	23880	C-R	710170	24131219141	BMW	710909
237120	ESSIC	470358	237933	ALLCH	417191	23880	SKF	710170	24131421142	BMW	710718
237120	ESSIC	473231	2379514	GMC	450316	2388334	GMC	370023A	24131422667	BMW	710718
2371881	GMC	470898	2379514	GMC	472636	2388334	GMC	380023A	24137509504	BMW	710909
2371908	GMC	370012A	237983	EATON	471271V	23885	C-R	226150	24137519344	BMW	710487
237197	CLARK	410867V	2379OS	JN-MN	415697	23885	SKF	226150	24137542885	BMW	710486
23721	GARLK	417211	2379OS	JN-MN	455547	23888	C-R	710528	24137552320	BMW	710486
2372377	GMC	35949N	237A15304	TROS	6960	23888	SKF	710528	24147571213	BMW	710780
23725	C-R	442507	237B122115	TROS	8594S	238888	EATON	471271	24201423382	BMW	710484
23725	SKF	442507	237C140X0825	TROS	8835S	238918	ALLCH	472012	24310403400	BMW	710484
237253	STUDE	472354	237PKG	TIMKE	237PKG	23891D	IH	473213	24311207433	BMW	224010
237253	STUDE	50395S	237R	TIMKE	237PKG	238945	ALLCH	412920	24311207621	BMW	224010
2372677	GMC	471267	238	MERIX	4561V	238PKG	TIMKE	238PKG	24311218493	BMW	224010
2372702	GMC	4563V	238	MERIX	5602	238R	TIMKE	238PKG	24311422671	BMW	224010
23733	GARLK	416345	238	ROCKW	4561V	239	MERIX	5603	24317519352	BMW	710484
237360	GMC	470059	238	ROCKW	5602	239	ROCKW	5603	24341205998	BMW	710780
237360	GMC	470380	238039	CLARK	450519	2390257	GMC	5408	24521207430	BMW	710780
2373OS	JN-MN	415960	238039	CLARK	471271	239103	NATL	224015	24527509500	BMW	710780
2373OS	JN-MN	455009	2380496	GMC	415004	23914404C	TROS	9178S	24000	C-R	710625
23740	NEWPR	710495	2380496	GMC	417316	239146	TIMKE	239146	24000	SKF	710625
23742	C-R	413247	23808	C-R	412861	239150	NATL	5696	2400084	CHRY	6879H
23742	SKF	413247	23808	SKF	412861	239155	TIMKE	239155	240009	TIMKE	240009
2374347	HR-DV	450025	23809	C-R	412861	239169R91	IH	415041	2400163	CHRY	8935S
2374347	HR-DV	471553	23809	SKF	412861	2391842	GMC	472164	240023	TIMKE	240023
23744	C-R	200855	2381508	GMC	413246N	239191	NATL	480630	2400300	CHRY	7300S
23744	SKF	200855	2381585	GMC	343099	239191	NATL	480991	2400566	GMC	470954
23745	GARLK	415697	23820	C-R	415857	239192	NATL	223535	2400566	GMC	480954
23745H	IH	450095	23820	SKF	415857	239201	TIMKE	239201	24010	GARLK	415035
23745H	IH	473464	238200	HYST	450352	2392508	GMC	370015A	24010	GARLK	415953
23751	C-R	714512	238200	HYST	472164	2394035	GMC	370019A	240119	TIMKE	240119
23751	SKF	714512	23823	C-R	3393	2394036	GMC	370021A	24012408	TROS	472843
23755	C-R	450103	23823	SKF	3393	2394037	GMC	370181A	24012808	TROS	473437
23755	SKF	450103	23824D	IH	455008	2396498	GMC	410972N	24013206	TROS	291099
23756	C-R	410987	23828	C-R	710607	2396499	GMC	412038N	24014004	TROS	473232
23756	SKF	410987	23828	SKF	710607	2396869	GMC	470898	24014008	TROS	450069
2376	MID	470590	23839	C-R	410825	2396870	GMC	450867	24014008	TROS	473232
2376	MID-R	470590	23839	SKF	410825	2396870	GMC	470898	24014010	TROS	473228
23761D	IH	471750	2383OS	JN-MN	450474	2396880	GMC	240731	24014208	TROS	7457N
2376261	GMC	6808N	23841	C-R	475380N	2396T2	WHITE	471787	240143	KOHL	450154
23763	GARLK	417366	23841	SKF	475380N	2397420	GMC	472164	240143	KOHL	473234
23766	WOODB	472070	23844	C-R	455860	23977X	LIGET	440972	24014406	TROS	473235
2376OS	JN-MN	450070	23844	SKF	455860	2398209	GMC	415003	24014408	TROS	473235
2376OS	JN-MN	472185	23846	C-R	416071	2398209	GMC	415458	2401441125	TROS	8516N
2377	NATL	713750	23846	SKF	416071	2398220	GMC	415458	24014412	TROS	8516N
2377	TIMKE	2377	2384945	GMC	470898	2398220	GMC	455003	240144125	TROS	473235
23770	C-R	416271	23851D	IH	450593	2398409	GMC	8792S	24014805	TROS	7607
23770	SKF	416271	2385627	GMC	471570	2398465	GMC	6835S	24014806	TROS	472185
23772	CONTI	470163	23857	C-R	712375	239PKG	TIMKE	239PKG	24014808	TROS	472185
23772	CONTI	471766	23857	SKF	712375	239R	TIMKE	239PKG	2401481125	TROS	450070
23779	C-R	416271	2385S	NATL	4250	23PS221	C-P	471472	2401481125	TROS	472185
23779	SKF	416271	23860	C-R	710006	23R009	SHOV	450389	240151	TIMKE	240151
2378042	HR-DV	450115	23860	SKF	710006	23R009	SHOV	472492	24015204	TROS	44053

INTERCHANGE SECTION

COMPETITIVE INTERCHANGES



Mfr No.	Mfr.	National	Mfr No.	Mfr.	National	Mfr No.	Mfr.	National	Mfr No.	Mfr.	National
24015206	TROS	472070	240913	HYST	417362	2417317	GMC	470308N	24217518704	BMW	710619
2401521125	TROS	472070	240949	TIMKE	240949	2417318	GMC	415234	24220569	ACDEL	221207
24015408	TROS	473451	24095	LAU	410102	2417319	GMC	475234N	24220569	GMC	221207
24015408	TROS	473462	24097	C-R	5698	2417330	GMC	415960	24223980	ACDEL	710561
24015608	TROS	472439	24097	SKF	5698	2417331	GMC	475009N	24223980	GMC	710561
24015612	TROS	473464	240A14404	TROS	473235	2417332	GMC	410316	24224136	GMC	710830
240156125	TROS	472439	240A14812	TROS	472185	2417332	GMC	472636	24224880	GMC	4981V
24016009	TROS	5121	240A16004	TROS	472319	2417333	GMC	410316	24226016	GMC	710533
24017	C-R	4160	240A20004C	TROS	4148	2417333	GMC	472636	24226707	ACDEL	710675
24017	SKF	4160	240A20004C	TROS	471424	2417334	GMC	415086N	24226707	GMC	710675
240178	KOHL	415995	240B156035	TROS	6985	2417334	GMC	417487	24226989	GMC	5693
240178	KOHL	455013	240C15606	TROS	472439	2417337	GMC	475380N	2422854	GMC	417355
2401857	GMC	413248	240C15606C	TROS	331227H	2417340	GMC	5403	2422854	GMC	485497
24020004	TROS	40410S	240PKG	TIMKE	240PKG	2417343	GMC	470163	2422855	GMC	417355
24020008	TROS	471424	240R	TIMKE	240PKG	2417343	GMC	471766	2422855	GMC	485497
240211	RELEE	471264	24101203519	BMW	224045	2417344	GMC	470163	2422859	GMC	417480
24021604	TROS	341022	24101218852	BMW	8792S	2417344	GMC	471766	2422869	GMC	40769S
240288	ALLCH	470625V	2410236	GMC	472164	24174	DAVEY	470358	24228816	ACDEL	710810
240319	TIMKE	240319	24110	C-R	4019N	24174	DAVEY	473231	24228816	GMC	710810
24035	GARLK	417356	24110	SKF	4019N	24175	DAVEY	450085	24228876	GMC	710843
240356	TIMKE	240356	2411035	WOOL	475384	24175	DAVEY	470530	24228886	GMC	710873
2403627	GMC	442380	24111205984	BMW	3459	24175	MICH	471684	24230691	ACDEL	710889
2403628	GMC	442380	24111207426	BMW	3459	24175	MICH	471698	24230691	GMC	710889
2403665	GMC	40769S	2411979	GMC	330385	24175	UNIVE	471684	24230715	GMC	710709
240385	TIMKE	240385	24131218847	BMW	710432	24175	UNIVE	471698	24232324	GMC	2457
240400	NATL	6703S	2413360	GMC	370120A	24176	VICK	240731	24232325	ACDEL	4934
2404052	CHRY5	484058	241343	ACF	418028	2417701	GMC	370181A	24232325	GMC	4934
2404121	CHRY5	8515N	241343	ACF	455137	2417702	GMC	370021A	24232325	SAAB	4934
2404134	CHRY5	8516N	24137	MICH	470027	2417779	GMC	470565	24233355	ACDEL	5693
2404135	CHRY5	7216	24137	MICH	471554	2417780	GMC	416654	24233355	GMC	5693
240414	TIMKE	240414	24137	UNIVE	470027	2417780	GMC	455012	24233898	ACDEL	710636
2404215	CHRY5	8695S	24137	UNIVE	471554	2417781	GMC	456618	24233898	GMC	710636
2404216	CHRY5	8704S	24140	Y-T	415196	24177902	ALLCH	471192	2423396	GMC	416271
240435	TIMKE	240435	24150	MICH	471567	2417791	ALLCH	471192	24234254	GMC	710583
240457	TIMKE	240457	24150	UNIVE	471567	241790	ALLCH	472179	24234257	ACDEL	710546
240462	TIMKE	240462	2415160B00	SUZUK	222030	2418RC	SUL	417316	24234257	GMC	710546
240470	TIMKE	240470	2415160B00000	SUZUK	222030	2418RC	SUL	455004	24235725	GMC	2457
240480	NATL	6597S	2415173B00	SUZUK	222030	2419982	GMC	475012N	24235861	ACDEL	710545
240495	NATL	343185	2415173B00000	SUZUK	222030	241PKG	TIMKE	241PKG	24235861	GMC	710545
240495	WMG	343185	2415173B01	SUZUK	222030	241R	TIMKE	241PKG	24236132	GMC	4333N
2405328	GMC	240733	241543	AVCO	204020	24201470	GMC	4934	24236395	ACDEL	710543
24055	GARLK	417357	241543	AVCO	204505	24201871	GMC	3543	24236395	GMC	710543
2405935	GMC	3592	24156	UNIVE	450340	24201936	GMC	5693	24237531	ACDEL	710830
240698	TIMKE	240698	24169	DAVEY	418028	24201991	GMC	224840	24237531	GMC	710830
240716	TIMKE	240716	24169	DAVEY	455137	24202535	GMC	4950	24237740	GMC	710830
240731	TIMKE	240731	2416949	GMC	476283N	24202535	SAAB	4950	24238075	GMC	710843
240733	TIMKE	240733	2416950	GMC	476283N	24202835	GMC	3543	24238076	ACDEL	710533
240735	TIMKE	240735	241706	FULLE	455322N	24203910	GMC	5693	24238076	GMC	710533
240736	TIMKE	240736	2417294	GMC	473215	24204330	GMC	100165	24239816	ACDEL	710544
24075	CANAD	416041	2417295	GMC	471765	24204540	GMC	4583	24239816	GMC	710544
24075	GARLK	416130	2417296	GMC	5751	24204772	GMC	4918	24240276	GMC	710873
2407876	GMC	415449	2417297	GMC	5751	2420630	GMC	6808N	24240278	GMC	710553
2407876	GMC	455147	2417302	GMC	416167	24207336	GMC	4333N	24240280	GMC	710636
2407877	GMC	415995	2417302	GMC	455091	24207571212	BMW	710671	24240282	GMC	710675
2407877	GMC	455013	2417303	GMC	416167	24207588763	BMW	710671	24243353	GMC	100165
240816	TIMKE	240816	2417303	GMC	455091	24209839	GMC	714598	24245	C-R	710584
240840	NATL	6597S	2417306	GMC	6649	24211013	GMC	710616	24245	SKF	710584
24085	LAU	471570	2417308	GMC	6872S	242133X095C	TROS	8610	24249376	GMC	710561
2408OS	JN-MN	417491	2417311	GMC	415317	242134X08	TROS	8610	24255	C-R	471887
240912	HYST	415138	2417316	GMC	410308	24217518704	BMW	710319	24255	GARLK	416556

INTERCHANGE SECTION

COMPETITIVE INTERCHANGES

Mfr No.	Mfr.	National	Mfr No.	Mfr.	National	Mfr No.	Mfr.	National	Mfr No.	Mfr.	National
24255	GARLK	472157	24335	EATON	473235	24414808	TROS	450076	2447861	GMC	417349
24255	SKF	471887	243354SA	TRSCM	455096	24414808	TROS	470334	2447RC	SUL	471750
24256576	ACDEL	710544	2433567	GMC	100495	24415008	TROS	450269	2448142	GMC	7188S
24256576	GMC	710544	2433567	GMC	415281N	24415208	TROS	471866	2448159	GMC	474278
24256953	GMC	710889	243363VAY	TRSCM	3210	24416008	TROS	471869	244888	ALLCH	470687
24257030	GMC	710709	2433650	GMC	415458	24416008	TROS	473459	2448882	ALLCH	470687
2426024	GMC	417210	2433651	GMC	415458	24416208	TROS	450472	2448RC	SUL	417344
2426026	GMC	417210	2433667	GMC	470898	244169	ALLCH	473010N	2448RC	SUL	455006
24260764	GMC	710709	24340	C-R	450104	24420006C	TROS	7751H	244961	ALLCH	473215
24263	C-R	412040	24340	SKF	450104	24420008	TROS	471870	24496101	ALLCH	473215
24263	SKF	412040	2434156	GMC	6879H	24420008	TROS	471883	24498	GARLK	416892
24266675	ACDEL	710889	2434696	GMC	410101N	2442177	GMC	6270	2449RC	SUL	471765
24266675	GMC	710889	2434707	GMC	480574H	2442178	GMC	6270	244B16008C	TROS	6988H
24266986	GMC	710725	2434D	GOODM	417487	2442179	GMC	6270	244PKG	TIMKE	244PKG
24266987	GMC	710659	2434D	GOODM	455014	2442180	GMC	5401	244R	TIMKE	244PKG
24267007	GMC	710953	2434OS	JN-MN	450765	24429	DAVEY	416921	2450	C-R	343104
24269980	ACDEL	710778	2435738	GMC	416167	24429	DAVEY	455011	2450	SKF	343104
24269980	GMC	710778	2435738	GMC	455091	2442911	GMC	415013	245040	BRCWY	416654
24277572606	BMW	710545	2435738	MOHWK	416167	2442911	GMC	415995	245040	BRCWY	455012
24277604965	BMW	710939	2435738	MOHWK	455091	2442912	GMC	415013	24504098	GMC	710162
24283	C-R	710213	2435739	GMC	480630	2442912	GMC	415995	24507518726	BMW	221207
24283	SKF	710213	2435740	GMC	410496	2442946	GMC	471267	2451326	GMC	472560N
24286	C-R	411500	2435E	GOODM	417488	2443	TIMKE	2443	2451326	GMC	50151S
24286	SKF	411500	2436463	GMC	6808N	2443570	GMC	415004	24516	EATON	473016
242860	ALLCH	415371	243649	BRCWY	415137	2443570	GMC	417316	24516606714	BMW	223010
24287	C-R	411500	243649	BRCWY	418028	24441	C-R	710392	245187	BRCWY	475012N
24287	SKF	411500	2436547	GMC	415013N	24441	SKF	710392	2453129	CHRY5	484054
24288	NEWPR	710653	2436547	GMC	415995V	2444160	GMC	442380	2453130	CHRY5	291295
2429131	GMC	471787	243663	BRCWY	411253	24445	C-R	417073	2453131	CHRY5	7537S
2429141	GMC	471538	243663	BRCWY	450099	24445	SKF	417073	2453133	CHRY5	8293S
2429241	GMC	476574N	2436953	GMC	415004	24447223	GMC	710799	2453134	CHRY5	8610
2429546	HR-DV	471192	2436953	GMC	417316	2444861	GMC	370036A	2453136	CHRY5	8181NA
24297	GARLK	416891	24370	C-R	411245	2444861	GMC	370349A	2453137	CHRY5	7022S
242PKG	TIMKE	242PKG	24370	SKF	411245	2444861	GMC	380036A	2453140	CHRY5	340356
242R	TIMKE	242PKG	2437999	GMC	415013N	24456623	HINO	710371	2453142	CHRY5	450117
24302	GARLK	416135	2437999	GMC	415995V	24456624	HINO	710371	2453142	CHRY5	472572
2430D	GOODM	415281N	2438255	GMC	417316	244530	GMC	415001	2453143	CHRY5	470331N
2430OS	JN-MN	417541	2438255	GMC	455004	244531	ACF	40468	2453145	CHRY5	470403
24311201573	BMW	223800	2438877	GMC	7866S	244531	GMC	40468	2453145	CHRY5	470774
24311203255	BMW	224250	2438878	GMC	7866S	24455	GARLK	416888	2453146	CHRY5	205017
243114	GR-DV	470062	2438OS	JN-MN	416345	24459	C-R	3210	2453147	CHRY5	40769S
243114	GR-DV	474264	2438OS	JN-MN	455033	24459	SKF	3210	2453952	GMC	6638S
243120	GOODM	450066	2439186	GMC	473242	244631	SPICE	470898	2454230	GMC	473242
243120	GOODM	473367	243PKG	TIMKE	243PKG	2446372	GMC	470954	245443	BRCWY	5M466
243120ML	BUC-E	450066	243R	TIMKE	243PKG	24465790	GMC	710799	245472	BRCWY	450316
243120ML	BUC-E	473367	2440720	GMC	6638S	24465791	GMC	710799	245472	BRCWY	472636
24314J	DIA	474276	2440721	GMC	6638S	2446647	GMC	370048A	2455045	GMC	370007A
2431525	GMC	415013N	2440722	GMC	6638S	2446647	GMC	370182A	2455047	GMC	370024A
2431525	GMC	415995V	2440D	GOODM	455019	2446647	GMC	380048A	2455092	GMC	370012A
2431526	GMC	415013N	24412408	TROS	450776	2446691	GMC	475003N	2455130	GMC	413246
2431526	GMC	415995V	24412804	TROS	471862	2446748	GMC	471787	2455130	GMC	413246N
2431667	GMC	351267	24412808	TROS	471862	2446RC	SUL	416107	2455143	GMC	410101N
2431667	GMC	471267	24413208	TROS	470487N	2446RC	SUL	455073	2455151	GMC	410316
243190	BRCWY	370036A	244132X08	TROS	470487N	24472709	SIMRT	370220A	2455151	GMC	472636
2431D5	WHITE	417316	244135X08	TROS	8695S	24475	GARLK	416153	2455943	GMC	370018A
24320	C-R	413478	24413604	TROS	471316	24476	VICK	450313	2456738	GMC	370005A
24320	SKF	413478	24413606	TROS	5796	2447666	GMC	450352	2456739	GMC	370005A
24322	CONTI	473458	24413609	TROS	6336S	2447666	GMC	472164	2456752	GMC	370021A
2432D	GOODM	415995	24414408	TROS	470074	2447696	GMC	100495	2457	TIMKE	2457
2432D	GOODM	455013	24414408	TROS	474265	2447696	GMC	415281N	24573976	GMC	40375

INTERCHANGE SECTION

COMPETITIVE INTERCHANGES



Mfr No.	Mfr.	National	Mfr No.	Mfr.	National	Mfr No.	Mfr.	National	Mfr No.	Mfr.	National
2457433	GMC	370019A	2469545	GMC	51098	24814408	TROS	473236	24897	C-R	471271
24577095	GMC	710605	246991	GMC	475003N	24814804	TROS	472179	24897	SKF	471271
24577096	GMC	710603	246A116075	TROS	450341	2481480775	TROS	5827	24898	C-R	471271
2457RC	SUL	416345	246A14806	TROS	200354	24814808	TROS	450183	24898	SKF	471271
2457RC	SUL	455033	246A20606	TROS	6590S	24814808	TROS	472179	24899	C-R	471271V
24581410	GMC	710616	246B124075	TROS	450456	24814810	TROS	410183N	24899	SKF	471271V
2458346	GMC	472636	246B14804	TROS	204038	2481481125	TROS	410183N	248A13208	TROS	470077
2459229	GMC	450431	246C14806	TROS	200354	24814812	TROS	472179	248A13208	TROS	474281
2459229	GMC	471539	246C148065	TROS	203002	24815008	TROS	450285	248A13808	TROS	450274
245964	ACF	473447	246PKG	TIMKE	246PKG	24815208	TROS	450118	248A14808	TROS	473447
245A1580825	TROS	9449	246R	TIMKE	246PKG	24815208	TROS	473449	248A15607C	TROS	6712NA
245PKG	TIMKE	245PKG	24708	VICK	450639	2481530775	TROS	7600S	248A15608	TROS	473179
245R	TIMKE	245PKG	2470886Z00	SUZUK	221207	24815408C	TROS	470331N	248A156105	TROS	473179
24607	FI-CO	450604	2470LPD	JN-MN	412027	24815604	TROS	42421S	248B20005	TROS	5113
2461313	GMC	415854	2470OS	JN-MN	412027	24815608	TROS	450117	248C20006	TROS	331107N
24613408	TROS	8940S	247165	ALLCH	470331N	24815608	TROS	472572	248PKG	TIMKE	248PKG
2461368	GMC	471887	247167	ALLCH	470331N	2481RC	SUL	418028	248R	TIMKE	248PKG
24614	CONTI	451583	2471OS	JN-MN	455151	2481RC	SUL	455137	24904	C-R	442380
24614804	TROS	323119	247224	ACF	450494	24820004	TROS	40389S	24904	SKF	442380
2461RC	SUL	415076	247224	ACF	472164	24820008	TROS	450389	24910	C-R	450519
2462289	GMC	410519	247224	GMC	450494	24820008	TROS	472492	24910	SKF	450519
2462289	GMC	471271	247224	GMC	472164	24820604	TROS	41013S	24911	C-R	410519
24625	GARLK	415138	2472290	GMC	475003N	2482279	GMC	415483	24911	C-R	471271
2462993	GMC	415003	2473154J10	SUZUK	710689	248374	ALLCH	471344	24911	SKF	410519
2462993	GMC	415458	2473154J10000	SUZUK	710689	248426	ALLCH	204038	24911	SKF	471271
2463199	GMC	415983N	24734	VERSA	370119A	24842601	ALLCH	204038	24913	C-R	471271V
24635	C-R	226285	2473RC	SUL	417491	2484551	GMC	471466	24913	SKF	471271V
24635	SKF	226285	2474278E50	SUZUK	1981	2484560	GMC	472397	24914	C-R	471271V
24638	C-R	226285	247576	VOLVO	224252	2484561	GMC	450301	24914	SKF	471271V
24638	SKF	226285	2475762	VOLVO	224252	2484561	GMC	472397	24916	C-R	471271V
2464131	GMC	40140S	24761	JOHND	470045	2485	F-R-H	415041	24916	SKF	471271V
24642	C-R	226285	24761	JOHND	476838	248542	VICK	240356	24917	C-R	4250
2464259	SKF	226285	2476620	GMC	410737	24863	C-R	40555	24917	SKF	4250
2464259	GMC	417316	2476620	GMC	450737	24863	C-R	40555S	2491RC	SUL	416654
2464259	GMC	455004	24767	LAU	470219	24863	SKF	40555	2491RC	SUL	455012
2464492	CHRYSLER	9487	24767	LAU	471649	24863	SKF	40555S	2492	TEKNI	471538
24645	GARLK	417247	2476973	GMC	415447	248630	HYST	472015	24920	C-R	6785
2464528	GMC	417211	2477261A00	SUZUK	473823	24865	C-R	710027	24920	SKF	6785
2464660	GMC	415995V	2477708	GMC	370001A	24865	SKF	710027	2492952	GMC	415991
2464660	GMC	455995N	2477708	GMC	380001A	24868	C-R	39803	2492952	GMC	415991N
2465	TIMKE	2465	2478060A50	SUZUK	710343	24868	SKF	39803	2492RC	SUL	416011
24651	BORGW	471750	2478060A50000	SUZUK	710343	24875	C-R	43290S	2492RC	SUL	417621
246564	ALLCH	416292	2478083000	SUZUK	223215	24875	SKF	43290S	2493047	GMC	415995
24656403	ALLCH	416292	2478083000000	SUZUK	223215	24877	C-R	1935	2493047	GMC	455013
24660	C-R	710774	2478083010	SUZUK	223215	24877	SKF	1935	24931	C-R	410496
24660	SKF	710774	2478083010000	SUZUK	223215	24879	C-R	473476	24931	SKF	410496
2466842	CHRYSLER	8609	2478362	GMC	471141	24879	SKF	473476	24932	C-R	410496
24670	C-R	6575S	2478368	GMC	471466	2487938	GMC	471689	24932	SKF	410496
24670	SKF	6575S	247893	VICK	340151	24880	C-R	40337S	24934	C-R	470605
2467131	GMC	473228	247A1470825	TROS	5836	24880	SKF	40337S	24934	SKF	470605
24676	HYST	470605	247A1510825	TROS	6781	24881	C-R	472029	2493RC	SUL	450316
2467929	GMC	415995V	247PKG	TIMKE	247PKG	24881	SKF	472029	2493RC	SUL	472636
2467929	GMC	455995N	247R	TIMKE	247PKG	24886	C-R	3942	24949	C-R	473274N
24680	LIGET	203034	24800	C-R	1935	24886	SKF	3942	24949	SKF	473274N
2468537	GMC	475003N	2480035	GMC	452742	24888	C-R	5109	24951	C-R	473274
2468T2	WHITE	415449	2480RC	SUL	450316	24888	SKF	5109	24951	SKF	473274
2468T2	WHITE	455147	2480RC	SUL	472636	2488828	GMC	475368N	24954	C-R	470605
24692603	ALLCH	471268N	24813208	TROS	473440	2488829	GMC	475368N	24954	SKF	470605
2469341	GMC	6808N	24814004	TROS	40286	24889	C-R	410752	2495OS	JN-MN	415725
2469545	GMC	473228	24814008	TROS	474274	24889	SKF	410752	2495RC	SUL	416654

INTERCHANGE SECTION

COMPETITIVE INTERCHANGES

Mfr No.	Mfr.	National	Mfr No.	Mfr.	National	Mfr No.	Mfr.	National	Mfr No.	Mfr.	National
2495RC	SUL	455012	24C50219	FWD	471649	24C55305	FWD	455146	2503N	TIMKE	2503N
24964	C-R	4561V	24C50301	FWD	450301	24C55315	FWD	415984	25043	C-R	415001
24964	SKF	4561V	24C50301	FWD	472397	24C55355	FWD	417158	25043	SKF	415001
2496482	GMC	415995V	24C50315	FWD	473245	24C55355	FWD	455355	25043TV	TIMKE	250437V
2496482	GMC	455995N	24C50316	FWD	450316	24C55364	FWD	416664	2504T2	DIA	472636
2496560	GMC	475003N	24C50316	FWD	472636	24C55364	FWD	455364	2505	TIMKE	2505
2496561	GMC	475368N	24C50320	FWD	473475	24SR100	BORGW	471192	25050	C-R	710430
2496562	GMC	475003N	24C50332	FWD	450332	24SR100	IG-RA	471192	25050	HYST	473225
24971	C-R	415449V	24C50350	FWD	413247	24X35688A	JOHND	455253	25050	SKF	710430
24971	SKF	415449V	24C50350	FWD	450350	24X35X7SC	TRSCM	222410	25056	C-R	100727
24980	C-R	415449	24C50352	FWD	450352	24X40X7	NATL	1990	25056	SKF	100727
24980	SKF	415449	24C50352	FWD	472164	251358	TW-CO	471689	250580	ALLCH	450301
24982	C-R	714670	24C50360	FWD	471870	25001	C-R	710841	250580	ALLCH	472397
24982	SKF	714670	24C50360	FWD	471883	25001	CONTI	471267	2506	TIMKE	2506
2498220	GMC	370048A	24C50365	FWD	450365	25001	SKF	710841	250605	ALLCH	415960
2498220	GMC	370182A	24C50365	FWD	470898	250012813	GARLK	415064	250605	ALLCH	455009
2498220	GMC	380048A	24C50394	FWD	473227	25005	C-R	4624V	250646C91	IH	42101S
24984	C-R	3894V	24C50405	FWD	50405	25005	HK-SY	415009	25065	C-R	415001N
24984	C-R	415449V	24C50480	FWD	323138	25005	HK-SY	415960	25065	SKF	415001N
24984	SKF	3894V	24C50520	FWD	410520	25005	SKF	4624V	250653R91	IH	471689
24984	SKF	415449V	24C50520	FWD	471272	25007	C-R	444042	250659R91	IH	470712
24986	C-R	415449	24C50756	FWD	472394	25007	SKF	444042	2506925	CHRY5	415449
24986	SKF	415449	24C50779K	FWD	473238	25008H	IH	5MR71	2506925	CHRY5	455147
24988	C-R	415449	24C55004	FWD	417316	25008HB	IH	5MR71	25071	C-R	416273
24988	SKF	415449	24C55004	FWD	455004	25009	C-R	710430	25071	SKF	416273
24989	C-R	415147N	24C55013	FWD	415995	25009	SKF	710430	25072S	WABCO	415072
24989	SKF	415147N	24C55013	FWD	455013	250116	ALLCH	450067	25074	C-R	416273
2498OS	JN-MN	417262	24C55018	FWD	455018	250116	ALLCH	473228	25074	SKF	416273
2498OS	JN-MN	455448	24C55018	FWD	476470	250116	JA-MI	450067	25075	C-R	416273
24990	C-R	415449V	24C55021	FWD	415021	250116	JA-MI	473228	25075	SKF	416273
24990	SKF	415449V	24C55023	FWD	415023	250116	JAE	450067	25077	C-R	416273
2499919	GMC	410316	24C55026	FWD	455026	250116	JAE	473228	25077	SKF	416273
2499919	GMC	472636	24C55027	FWD	415027	250118	GOODM	450185	25078	C-R	200851
2499LPD	JN-MN	415683	24C55027	FWD	455027	250118	GOODM	473229	25078	SKF	200851
2499LUP	JN-MN	415683	24C55029	FWD	416125	250119	CLARK	482253	25080	GARLK	416865
249A007	BENDI	6545	24C55035	FWD	415035	25012	CLIN	5872S	250801	ALLCH	472258
249A16008C	TROS	2043	24C55035	FWD	455035	250120	GOODM	450194	25082	C-R	7581H
249PKG	TIMKE	249PKG	24C55088K	FWD	415088	250120	GOODM	473010	25082	SKF	7581H
249R	TIMKE	249PKG	24C55088K	FWD	455088	250120	JEFF	450194	250832	ALLCH	415035
24A103	FWD	471765	24C55093	FWD	411376	250120	JEFF	473010	250832	ALLCH	455035
24A108	FWD	450067	24C55093	FWD	455093	250120K	GOODM	450194	250833	ALLCH	450067
24A108	FWD	473228	24C55114K	FWD	455584	250120K	GOODM	473010	250833	ALLCH	473228
24A110	FWD	450069	24C55137	FWD	418028	250124	AT-PL	450352	250857	ALLCH	200851
24A110	FWD	473232	24C55137	FWD	455137	250124	AT-PL	472164	2508931	CHRY5	343185
24A214	FWD	417158	24C55146	FWD	415991	25014808	TROS	200600	2508969	CHRY5	475003N
24A214	FWD	455355	24C55146	FWD	455146	25016	CONTI	471267	250907R91	IH	415304
24B275112	FWD	450463	24C55147	FWD	415449	250187R91	IH	472924	250907R91	IH	476470
24B275122	FWD	473236	24C55147	FWD	455147	2501CS	CASE	450415	25091	C-R	455079
24C50099	FWD	411253	24C55150	FWD	415150	250220	ALLCH	470548	25091	SKF	455079
24C50099	FWD	450099	24C55177	FWD	415379	250220	ALLCH	470625	250A116	BUC-E	473228
24C50115S	FWD	450115	24C55177	FWD	455379	250221	ALLCH	470059	250A156095	TROS	414045
24C50115S	FWD	473467	24C55195	FWD	455195	250221	ALLCH	470380	250PKG	TIMKE	250PKG
24C50117	FWD	450117	24C55195	FWD	472157	250222	ALLCH	473016	250R	TIMKE	250PKG
24C50117	FWD	472572	24C55196	FWD	415196	250225	ALLCH	472070	251407641A	VW	225500
24C50120	FWD	470120	24C55203	FWD	455203	25026	C-R	710577	25100	C-R	415082
24C50120	FWD	471224	24C55271	FWD	415725	25026	SKF	710577	25100	SKF	415082
24C50136	FWD	470548	24C55272	FWD	416706	25028	C-R	8975S	25102	C-R	415082N
24C50136	FWD	470625	24C55272	FWD	455272	25028	SKF	8975S	25102	CONTI	450431
24C50204	FWD	471231	24C55281	FWD	415281N	2502A017	MITSU	710733	25102	CONTI	471539
24C50219	FWD	470219	24C55305	FWD	415991	25030	GARLK	415725	25102	SKF	415082N

INTERCHANGE SECTION

COMPETITIVE INTERCHANGES



Mfr No.	Mfr. National	Mfr No.	Mfr. National	Mfr No.	Mfr. National	Mfr No.	Mfr. National
25106	C-R 415082N	25200	C-R 710876	25310	TORO 471733	25347	TORO 471344
25106	SKF 415082N	25200	SKF 710876	253100	TORO 204035	25348	TORO 473448
25108	C-R 455655	252050C91	IH 471413	253109	TORO 417485	2535	ALOY 3195
25108	SKF 455655	252051C91	IH 473231	25312	TORO 415449	25350	GARLK 417358
2511035	WOOL 415711	252051C92	IH 473231	25312	TORO 455147	253502VAY	TRSCM 8975S
2511337	CHRY5 6872S	252081R91	IH 417316	253122	TORO 471643	253504SSB	TRSCM 7581H
25114	C-R 355732	252097R91	IH 455186	25312VH	TRSCM 43290S	253515	ALLCH 450519
25114	SKF 355732	252098R91	IH 455191	25313TB	TRSCM 472029	253515	ALLCH 471271
2511447	MOPAR 415449	2521	MID 470219	25315	TORO 470027	25352	TORO 471870
251191	ALLCH 471765	2521	MID 471649	25315	TORO 471554	25352	TORO 471883
2512254	CHRY5 6808N	2521	MID-R 470219	25318	TORO 415449	25352VH	TRSCM 444042
251232	ALLCH 450273	2521	MID-R 471649	25318	TORO 455147	25353	TORO 470347
2512332	CHRY5 415983N	252117	ALLCH 415379	25319	TORO 473215	25353	TORO 474254
251242	HR-DV 470548	252117	ALLCH 455379	2531A	DURA 471750	25354	TORO 472432
251242	HR-DV 470625	25214	HARRI 472299	25321	TORO 450291	25354	TORO 474256
25130	GARLK 417278	252148X095C	TROS 8460N	25321	TORO 471141	253541	ALLCH 450070
2513602	CHRY5 370086A	25215	HARRI 471270	25322	TORO 415449	253541	ALLCH 472185
25137	UNIVE 481443	252153	ALLCH 417316	25322	TORO 455147	253544SA	TRSCM 455001
251378R91	IH 417350	252153	ALLCH 455004	25322VB	TRSCM 442380	253545TA	TRSCM 415001
251378R91	IH 455479	252154	ALLCH 411376	25323TB	TRSCM 471271	25354SA	TRSCM 455147
251379R91	IH 450313	252154	ALLCH 455093	25324	TORO 471820	25354TA	TRSCM 415147
2514	C-R 350435	25215608	TROS 5126	253248	ALLCH 473463	253579	ALLCH 416273
2514	SKF 350435	2521RC	SUL 470163	25324SA	TRSCM 450519	2536	ALOY 4950
25140	C-R 4525V	2521RC	SUL 471766	25324TA	TRSCM 410519	2536	TORO 471750
25140	SKF 4525V	252253	SPERY 455134	25325	TORO 416664	25360	TORO 200354
25146	C-R 3136N	252277	ACF 470059	25325	TORO 455364	253632	ALLCH 473243
25146	SKF 3136N	252277	ACF 470380	253265	ALLCH 450066	2536480	CHRY5 3095
2514OS	JN-MN 416292	252277	TIMKE 252277	253265	ALLCH 473367	2536481	CHRY5 3103
25150	MICH 481568	2522A147	MITSU 223010	25327	TORO 472070	25364SA	TRSCM 416273
25150	UNIVE 481568	2522RC	SUL 415035	25328	TORO 471442	2536694	CHRY5 3103
251511	TIMKE 251511	2522RC	SUL 455035	25329	TORO 471442	253691	ALLCH 450316
2515119	CHRY5 410737	2523RC	SUL 416339	253297	ALLCH 40438S	253691	ALLCH 472636
2515119	CHRY5 450737	2523RC	SUL 455031	2533	ALOY 8430S	2536D	GOODM 417172
2515187	CHRY5 475368N	252464	GMC 5070	2533	TORO 471787	2536T2	DIA 450365
2515OS	JN-MN 412119	252491	ALLCH 473475	25330	TORO 410308	2536T2	DIA 470898
2515OS	JN-MN 450101	2524RC	SUL 450083	25330	TORO 450308	2536T2	WHITE 450867
25160	C-R 5401	2524RC	SUL 472924	25331	TORO 470059	2536T2	WHITE 470898
25160	SKF 5401	2525063	CHRY5 41257	25331	TORO 470380	2537	ALOY 8622
25162	MICH 481644	252602	ALLCH 471224	25332	TORO 470027	2537	TORO 471765
25162	UNIVE 481644	252612	ALLCH 471192	25332	TORO 471554	25370	TORO 340797
25169	STAR 240735	252649	ALLCH 472287	253341	ALLCH 471571	253701	ALLCH 471692
25175	MICH 471337	252815	ALLCH 450183	253354SA	TRSCM 410496	2537153	CHRY5 474278
25175	UNIVE 471337	252815	ALLCH 472179	253358	ALLCH 416919N	2537153	CHRY5 6859S
251756	ALLCH 473445	252825	ALLCH 450316	25336	TORO 470219	253747	TIMKE 253747
25176	C-R 710130	252825	ALLCH 472636	25336	TORO 471649	25374SA	TRSCM 455079
25176	SKF 710130	252835R91	IH 471785	25338	TORO 470120	2537689	CHRY5 471466
25182	UNIVE 474273	252849	ALLCH 472258	25338	TORO 471224	2537899	CHRY5 7013S
25183	MICH 474273	252882R91	IH 415449	253382	ALLCH 417316	2538	ALOY 203025
251862	ALLCH 450441	252882R91	IH 455147	253388	ALLCH 416892	2538	TORO 415449
251862	ALLCH 471341	252903	ALLCH 450030	2533D	GOODM 416011	2538	TORO 455147
25187787	GMC 3543	252903	ALLCH 474253	2533D	GOODM 417621	25384SA	TRSCM 455280
25190	C-R 710277	252PKG	TIMKE 252PKG	2534	ALOY 4148	2538557	CHRY5 473234
25190	SKF 710277	252R	TIMKE 252PKG	2534	TORO 416664	2539	ALOY 473677
25193519	GMC 224200	25305	NATL 415991	2534	TORO 455364	2539	TORO 451583
25193519	OPEL 224200	25305	NATL 415991N	253403	ALLCH 455018	25391	TORO 415088
25193519	SAAB 224200	253052	ALLCH 416271	253403	ALLCH 476470	25391	TORO 455088
251PKG	TIMKE 251PKG	253099	TIMKE 253099	253413	ALLCH 470687	25393TB	TRSCM 476514
251R	TIMKE 251PKG	2531	CHRY5 471750	25343TB	TRSCM 473274	25396	TORO 472560N
2520	MID 471689	2531	TORO 450545	25344	TORO 40140S	25396	TORO 50151S
2520	MID-R 471689	25310	GARLK 417262	253441	ALLCH 472179	253PKG	TIMKE 253PKG

INTERCHANGE SECTION

COMPETITIVE INTERCHANGES

Mfr No.	Mfr.	National	Mfr No.	Mfr.	National	Mfr No.	Mfr.	National	Mfr No.	Mfr.	National
253R	TIMKE	253PKG	255282C91	IH	415281N	25620	GARLK	417254	257505	PEUGE	710780
25400	GARLK	415645	25531	US-EL	470169	256200075	TROS	417487	257739R91	IH	481073
254002	SPERY	416043	25531	US-EL	473214	256200075	TROS	455086	25784	ALLCH	415041
254032C91	IH	370120A	25534760	GMC	320691	25620008	TROS	450083	25790301	ALLCH	471267
254032C91	NAVST	370120A	25544	BOSTN	471224	25620008	TROS	472924	257920R91	IH	415034
2540D	GOODM	415021	25548	LAU	471267	25620408	TROS	451948	257920R91	IH	455034
25418	C-R	710094	255502	HYST	473228	25620804	TROS	40566S	257970R91	IH	415034
25418	SKF	710094	25561	C-R	413479	25620805	TROS	6879H	257970R91	IH	455034
25419	C-R	712005	25561	SKF	413479	25620806C	TROS	6879H	257PKG	TIMKE	257PKG
25419	SKF	712005	25572	C-R	710672	25620807	TROS	450867	257R	TIMKE	257PKG
25420	C-R	226520	25572	SKF	710672	25620807	TROS	470898	258019	RELEE	417556
25420	SKF	226520	25577	C-R	415302	256208075	TROS	450365	25809D	IH	473427
2542040725	TROS	5877	25577	SKF	415302	256208075	TROS	470898	258120	HYST	7512SSO
25421	C-R	710373	25579	C-R	710373	25620810	TROS	470898	258121C91	IH	415035
25421	SKF	710373	25579	SKF	710373	25620811	TROS	470898	258121C91	IH	415953
254241R92	IH	473205	25584	C-R	710610	25624339	VOLVO	415272N	25814808	TROS	450291
254270	NATL	7750	25584	SKF	710610	256258	BRCWY	473215	25814808	TROS	471141
254270	TIMKE	254270	25585	C-R	226510	25626	NEWPR	710652	25850	GARLK	417362
25427F	DIA	6597S	25585	SKF	226510	256273	BRCWY	450593	258511A	WALKE	450070
254287	TIMKE	254287	25587	C-R	415098N	256302SP	TRSCM	5123	258511A	WALKE	472185
2542OS	JN-MN	455480	25587	SKF	415098N	256345TA	TRSCM	413479	258511A	Y-T	450070
25430	C-R	226530	2559054	CHRY5	370001A	25641	C-R	415988	258511A	Y-T	472185
25430	SKF	226530	2559054	CHRY5	380001A	25641	SKF	415988	258511AA	WALKE	413469
25434	C-R	226530	2559055	CHRY5	370023A	25650	GARLK	417360	258511AB	WALKE	417501
25434	SKF	226530	2559055	CHRY5	380023A	25661	C-R	415988	258511AB	Y-T	417501
2543OS	JN-MN	417504	2559304	CHRY5	370001A	25661	SKF	415988	258511AC	WALKE	415991
25450	GARLK	417359	2559304	CHRY5	380001A	2566OS	JN-MN	455195	258511AC	WALKE	455146
254632	SPICE	410520	2559685	CHRY5	370023A	2566OS	JN-MN	472157	258511AD	Y-T	473010
254632	SPICE	471272	2559685	CHRY5	380023A	256725R91	IH	410085	258511AH	Y-T	473179
2546357	CLARK	415425	2559689	CHRY5	370001A	256725R91	IH	470530	258511AK	EATON	471103
254635C91	IH	473231	2559689	CHRY5	380001A	256726R91	IH	412920	258511AK	EATON	50197S
254662C91	IH	473231	255PKG	TIMKE	255PKG	2567RC	SUL	471466	258511AK	WALKE	471103
254670	ALLCH	471787	255R	TIMKE	255PKG	25680	GARLK	416107	258511AK	WALKE	50197S
254882	ALLCH	472439	2560	C-R	240435	256A2000625	TROS	472082	258511AK	Y-T	471103
25488202	ALLCH	472439	2560	SKF	240435	256A20008	TROS	472082	258511AK	Y-T	50197S
254883	ALLCH	416404	2560012	MOPAR	415060	256A20807	TROS	9599S	258511AM	Y-T	470548
25492	LAU	470954	2560039	STAND	410737	256B200075	TROS	472082	258511AM	Y-T	470625
2549RC	SUL	417513	2560039	STAND	450737	256D15206	TROS	473450	258511AO	Y-T	470898
254A144075	TROS	470596	2561031	CHRY5	370023A	256E14808	TROS	6949S	258511AQ	Y-T	415551
254PKG	TIMKE	254PKG	2561031	CHRY5	380023A	256PKG	TIMKE	256PKG	258511AR	Y-T	476838
254R	TIMKE	254PKG	256140075	TROS	450078	256R	TIMKE	256PKG	258511AW	Y-T	455134
2550106	CHRY5	370001A	256140075	TROS	473444	257400	ELRNG	710785	258511B	WALKE	410102
2550106	CHRY5	380001A	256144075	TROS	473446	257770	ELRNG	229005	258511B	Y-T	410102
25515	C-R	5123	25614804	TROS	471141	2570T2	WHITE	471538	258511BB	WALKE	415150
25515	SKF	5123	256148075	TROS	450291	25710	C-R	9943	258511BE	Y-T	50528
2551760B01	SUZUK	710820	256148075	TROS	471141	25710	GARLK	417361	258511BG	Y-T	352541
2551760B01000SUZUK	710820		25614808	TROS	450291	25710	SKF	9943	258511BH	EATON	455480
25518	C-R	226510	25614808	TROS	471141	25713	C-R	417481	258511BH	Y-T	455480
25518	SKF	226510	25615208	TROS	473450	25713	SKF	417481	258511BJ	Y-T	415371
25519058	GMC	710162	25615604	TROS	473238	25720804	TROS	42101S	258511BL	EATON	415074
2551RC	SUL	415988	256156075	TROS	450082	257209R91	IH	471564	258511BL	Y-T	415074
25523327	GMC	710162	256156075	TROS	473238	257215R91	IH	410163	258511BM	EATON	415938
25524	MALL	471652	25615608	TROS	473238	257215R91	IH	471766	258511BM	Y-T	415938
2552584	CHRY5	370023A	256156085	TROS	2689S	257304R91	IH	471684	258511BN	EATON	473231
2552584	CHRY5	380023A	256160075	TROS	472144	257304R91	IH	471698	258511BN	Y-T	473231
255267R91	IH	415034	25617	VICK	472015	257310R91	IH	470625	258511BR	Y-T	416556
255267R91	IH	455034	256192	BRCWY	450301	25745	C-R	455280	258511BR	Y-T	472157
255281C91	IH	100495	256192	BRCWY	472397	25745	SKF	455280	258511BT	EATON	473237
255281C91	IH	415281N	256199	BRCWY	415449	25748	C-R	455280	258511BT	Y-T	473237
255282C91	IH	100495	256199	BRCWY	455147	25748	SKF	455280	258511BV	EATON	415074

INTERCHANGE SECTION

COMPETITIVE INTERCHANGES



Mfr No.	Mfr. National	Mfr No.	Mfr. National	Mfr No.	Mfr. National	Mfr No.	Mfr. National
258511BV	Y-T 455480	258511M	WALKE 470120	258511Y	WALKE 473234	260004R91	IH 470354
258511BY	EATON 416011	258511M	WALKE 471224	258511Y	Y-T 450154	260015239	GARLK 40140S
258511BY	EATON 417621	258511M	Y-T 470120	258511Y	Y-T 473234	260016069	GARLK 8792S
258511BY	Y-T 416011	258511M	Y-T 471224	258511YY	WALKE 473215	260016133	GARLK 340483
258511BY	Y-T 417621	258511MM	WALKE 473245	258511YY	Y-T 450194	260016284	GARLK 341022
258511C	WALKE 416339	258511N	WALKE 417181	258511YY	Y-T 473010	260016304	GARLK 310841
258511C	WALKE 455031	258511N	Y-T 417181	258511Z	WALKE 470088	260017007	GARLK 240470
258511C	Y-T 416339	258511NN	EATON 415991	258511Z	Y-T 470088	260017011	GARLK 342805
258511C	Y-T 455031	258511NN	EATON 455146	258511ZZ	WALKE 471424	260017012	GARLK 342805
258511CC	WALKE 417366	258511NN	WALKE 415991	258511ZZ	Y-T 471424	260017013	GARLK 8792S
258511CC	Y-T 417366	258511NN	WALKE 455146	25890	GARLK 417363	260017020	GARLK 340387
258511D	WALKE 470059	258511O	WALKE 415449	25897	WHITE 473215	260017021	GARLK 340724
258511D	WALKE 470380	258511O	WALKE 455147	258PKG	TIMKE 258PKG	260017024	GARLK 351487
258511D	Y-T 470059	258511O	Y-T 415449	258R	TIMKE 258PKG	260017033	GARLK 350954
258511D	Y-T 470380	258511O	Y-T 455147	258T2	WHITE 415449	260017033	GARLK 470954
258511DD	WALKE 417567	258511P	WALKE 416865	258T2	WHITE 455147	260017034	GARLK 40027S
258511DD	Y-T 417567	258511P	WALKE 455070	2590276C1	IH 100494	260017055	GARLK 40230S
258511E	WALKE 451469	258511PP	WALKE 450066	25909	STAR 471737	260017080	GARLK 340400
258511E	Y-T 451469	258511PP	WALKE 473367	2590A052	MITSU 223010	260017093	GARLK 310841
258511EE	WALKE 450115	258511PP	Y-T 450065	25910	GARLK 416666	260018000	GARLK 7014S
258511EE	WALKE 473467	258511Q	WALKE 416888	259147	ACF 410496	260017023	GARLK 340009S
258511EE	Y-T 450115	258511Q	WALKE 455200	259220	RELEE 471567	26002517	GMC 222025
258511EE	Y-T 473467	258511QQ	WALKE 450069	25925	GARLK 417364	26002612	GMC 7013S
258511F	WALKE 415645	258511QQ	WALKE 473232	259323C91	IH 42101S	26004811	GMC 2286
258511F	WALKE 455104	258511R	WALKE 415196	2593913C91	IH 710454	2600888	CHRY S 470169
258511FF	WALKE 470950	258511R	Y-T 415196	259407PTBJ	TRSCM 712598	2600888	CHRY S 473214
258511FF	WALKE 6241S	258511R91	IH 410708	25952	NEWPR 710691	26009	LAU 471255
258511FF	Y-T 470950	258511RR	WALKE 450301	25965	C-R 226610	26009831	GMC 7013S
258511FF	Y-T 6241S	258511RR	WALKE 472397	25965	SKF 226610	26010792	GMC 710166
258511G	WALKE 470077	258511RR	Y-T 450301	25968	C-R 710092	2601099	CLARK 9613S
258511G	WALKE 474281	258511RR	Y-T 472397	25968	SKF 710092	260110	CLARK 472826
258511G	Y-T 470077	258511S	WALKE 417316	25970	C-R 411330N	26011061	GMC 4795V
258511G	Y-T 474281	258511S	WALKE 455004	25970	SKF 411330N	26011597	GMC 3543
258511GG	WALKE 416444	258511S	Y-T 417316	25978404	ALLCH 415281N	260135R91	IH 470059
258511H	WALKE 417357	258511S	Y-T 455004	259805	HYST J1117	260135R91	IH 470380
258511H	WALKE 455192	258511SS	WALKE 55238	2598160G10	SUZUK 221207	26018700	GMC 4795V
258511H	Y-T 417357	258511SS	Y-T 55238	2598160G10000S	SUZUK 221207	26025959	GMC 7013S
258511H	Y-T 455192	258511T	WALKE 471750	2598182300	SUZUK 710116	26025977	GMC 7013S
258511HH	WALKE 417351	258511T	Y-T 471750	259854R91	IH 415147	26026792	GMC 8610
258511HH	WALKE 455154	258511TT	WALKE 470682	259854R91	IH 415449	26026973	GMC 7013S
258511HH	Y-T 417351	258511U	WALKE 450095	259895R92	IH 415072	26027103	GMC 222036
258511HH	Y-T 455154	258511U	WALKE 473464	25990	C-R 712598	26029137	GMC 710166
258511J	EATON 415351	258511U	Y-T 450095	25990	SKF 712598	26029139	GMC 8660S
258511J	WALKE 415351	258511U	Y-T 473464	259960	ALLCH 6324S	26030	GARLK 417365
258511J	Y-T 415351	258511UU	WALKE 471760	25996D	IH 415025	2603141	TREME 2506
258511J	WALKE 473242	258511UU	Y-T 471760	259975247	MERCE 710904	26031569	GMC 710101
258511J	Y-T 473242	258511V	WALKE 471570	259PKG	TIMKE 259PKG	26033578	GMC 2043
258511K	WALKE 411376	258511V	Y-T 471570	259R	TIMKE 259PKG	26037278	GMC 7013S
258511K	WALKE 455093	258511VV	WALKE 473313	25CJ11	BR-WN 450067	26037309	GMC 4762N
258511K	Y-T 411376	258511VV	Y-T 473313	25CJ11	BR-WN 473228	2603865	TREME 3638
258511K	Y-T 455093	258511W	WALKE 415036	25FTD1	BR-WN 450639	2603979	TREME 2194
258511KK	WALKE 471413	258511WW	WALKE 471192	25M1	BR-WN 470163	26041M	DIA 411500
258511L	WALKE 450117	258511WW	Y-T 471192	25M1	BR-WN 471766	26042234	GMC 7013S
258511L	WALKE 472572	258511X	WALKE 471747	25W1	BR-WN 410163	26043	MINNM 470358
258511L	Y-T 450117	258511X	WALKE 472674	25W1	BR-WN 471766	26043	MINNM 473231
258511L	Y-T 472572	258511XX	WALKE 470169	2668493	MERCM 712250	26043126	GMC 7013S
258511LL	WALKE 470062	258511XX	WALKE 473214	2680853	ASTON 40520S	26043126	SAAB 7013S
258511LL	WALKE 474264	258511XX	Y-T 470169	268272	B-L-H 415991	2604421	TREME 313156
258511LL	Y-T 470062	258511XX	Y-T 473214	268272	B-L-H 455146	2604493	TREME 2503N
258511LL	Y-T 474264	258511Y	WALKE 450154	2697530	MERCM 471570	26047378	GMC 8835S

INTERCHANGE SECTION

COMPETITIVE INTERCHANGES

Mfr No.	Mfr.	National	Mfr No.	Mfr.	National	Mfr No.	Mfr.	National	Mfr No.	Mfr.	National
26050	GARLK	415072	261576C91	IH	40566S	261939975	GARLK	472015	2620335	ACDEL	414045
26053322	GMC	710491	26162	MICH	471645	261939991	GARLK	481443	2620337	ACDEL	6064
26057167	GMC	710105	26162	UNIVE	471645	261939992	GARLK	480581	2620339	ACDEL	6241S
26059623	GMC	710648	26163	C-R	450412	261937488	GARLK	471551	2620340	ACDEL	493291
26059624	GMC	710497	26163	SKF	450412	26194	C-R	417079	2620343	ACDEL	6781
2605RC	SUL	417211	261733	SPERY	471765	26194	SKF	417079	2620344	ACDEL	6815
26060109	GMC	710536	26175	MICH	471686	261A5293	BENDI	471466	2620345	ACDEL	6840S
26061024	GMC	710568	26175	UNIVE	471686	261PKG	TIMKE	261PKG	2620346	ACDEL	9568
2606104	TREME	4528N	26182	UNIVE	473412	261R	TIMKE	261PKG	2620349	ACDEL	6954S
26064028	AA&M	710506	26183	MICH	473412	2620068	MERCM	34009S	2620350	ACDEL	44053
26064028	GMC	710506	26186	C-R	415483	2620070	MERCM	340724	2620351	ACDEL	6960
26064028	SAAB	710506	26186	HYST	471820	2620250	MERCM	350954	2620353	ACDEL	205017
26064029	AA&M	710507	26186	SKF	415483	2620250	MERCM	470954	2620354	ACDEL	6985
26064029	GMC	710507	26189	C-R	415483	2620280	ACDEL	1012N	2620355	ACDEL	7022S
26064029	SAAB	710507	26189	C-R	455368	2620281	ACDEL	224045	2620359	ACDEL	7537S
26064030	AA&M	710508	26189	SKF	415483	2620282	ACDEL	227040	2620360	ACDEL	7600S
26064030	GMC	710508	26189	SKF	455368	2620283	ACDEL	203006	2620361	ACDEL	7607
260666	HYST	416892	26190	C-R	415483	2620284	ACDEL	203008	2620363	ACDEL	7687S
2607RC	SUL	470219	26190	SKF	415483	2620285	ACDEL	205044	2620364	ACDEL	5113
2607RC	SUL	471649	26191	C-R	475368N	2620286	ACDEL	2081	2620366	ACDEL	7834
26091733	GMC	710492	26191	SKF	475368N	2620287	ACDEL	2146	2620367	ACDEL	7886S
26094851	GMC	100712V	261930291	GARLK	471649	2620288	ACDEL	4250	2620368	ACDEL	470064
260PKG	TIMKE	260PKG	261930541	GARLK	471192	2620290	ACDEL	2689S	2620369	ACDEL	7934S
260R	TIMKE	260PKG	261930714	GARLK	450185	2620292	ACDEL	291295	2620370	ACDEL	7994S
261A5291	BENDI	471267	261930714	GARLK	473229	2620294	ACDEL	331301N	2620371	ACDEL	8121S
261A5292	BENDI	471564	2619313	GARLK	330385	2620294A	GMC	331301N	2620372	ACDEL	8133S
26110	C-R	411143N	261931329	GARLK	472015	2620295	ACDEL	340356	2620373	ACDEL	8139
26110	C-R	451143	261931482	GARLK	471138	2620298	ACDEL	41787S	2620375	ACDEL	8243
26110	SKF	411143N	261933130	GARLK	415938	2620299	ACDEL	40769S	2620376	ACDEL	8293S
26110	SKF	451143	261934701	GARLK	472954	2620300	ACDEL	40973S	2620377	ACDEL	51098
2611035	WOOL	417474	261935085	GARLK	481537	2620301	ACDEL	41257	2620378	ACDEL	8429S
2612252	ALLCH	471737	2619351	GARLK	471526	2620302	ACDEL	4148	2620379	ACDEL	6960
26123	C-R	412871	261936099	GARLK	481397	2620304	ACDEL	442380	2620380	ACDEL	8477S
26123	C-R	450329	261936103	GARLK	471529	2620305	ACDEL	470380	2620381	ACDEL	8549S
26123	SKF	412871	261936113	GARLK	1049	2620306	ACDEL	450067	2620382	ACDEL	8594S
26123	SKF	450329	261936156	GARLK	471270	2620307	ACDEL	450143	2620383	ACDEL	8597S
26124	C-R	412871	261936169	GARLK	471652	2620308	ACDEL	482253	2620384	ACDEL	8660S
26124	C-R	450329	261936186	GARLK	7412S	2620309	ACDEL	451948	2620385	ACDEL	8695S
26124	SKF	412871	261937482	GARLK	455583N	2620310	ACDEL	470487N	2620386	ACDEL	8704S
26124	SKF	450329	261937501	GARLK	330699	2620311	ACDEL	471862	2620387	ACDEL	8705S
26128	C-R	412871	261937504	GARLK	472705	2620312	ACDEL	450776	2620388	ACDEL	9569S
26128	C-R	450329	261937510	GARLK	350414	2620313	ACDEL	451182	2620389	ACDEL	8835S
26128	SKF	412871	261937510	GARLK	472311	2620314	ACDEL	470987	2620390	ACDEL	8871
26128	SKF	450329	261937512	GARLK	1037	2620315	ACDEL	472856	2620391	ACDEL	8940S
2613075	DANA	6936S	261937517	GARLK	481163	2620316	ACDEL	475458	2620392	ACDEL	8974S
2613128	DANA	471344	261937518	GARLK	471766	2620317	ACDEL	481837	2620393	ACDEL	9015S
261336	SPERY	472164	261937520	GARLK	340853	2620318	ACDEL	4148	2620394	ACDEL	9049N
26137	MICH	471231	261937521	GARLK	330663	2620319	ACDEL	50151S	2620397	ACDEL	9150S
26137	UNIVE	471231	261937521	GARLK	472354	2620320	ACDEL	410987	2620398	ACDEL	9161
26141	C-R	410708	261937534	GARLK	476842	2620321	ACDEL	5109	2620399	ACDEL	9178S
26141	SKF	410708	261938356	GARLK	481481	2620322	ACDEL	51098	26204	C-R	415458V
26144	C-R	413248	2619388	GARLK	471466	2620323	ACDEL	410825	26204	C-R	475003N
26144	SKF	413248	261938949	GARLK	481481	2620326	ACDEL	51322	26204	SKF	415458V
26150	MICH	450030	261938952	GARLK	471633	2620327	ACDEL	484054	26204	SKF	475003N
26150	MICH	474253	261939489	GARLK	471570	2620328	ACDEL	484058	2620402	ACDEL	9363S
26150	UNIVE	450030	261939490	GARLK	471649	2620330	ACDEL	417485	2620403	ACDEL	9406S
26150	UNIVE	474253	261939675	GARLK	450400	2620331	ACDEL	5573	2620404	ACDEL	8705S
26153	C-R	413248	261939879	GARLK	335924N	2620332	ACDEL	415857	2620405	ACDEL	9568
26153	SKF	413248	261939971	GARLK	481181	2620333	ACDEL	455860	2620406	ACDEL	9569S
26156	UNIVE	470515	261939971	GARLK	481181N	2620334	ACDEL	5589	2620408	ACDEL	8705S

INTERCHANGE SECTION

COMPETITIVE INTERCHANGES



Mfr No.	Mfr. National	Mfr No.	Mfr. National	Mfr No.	Mfr. National	Mfr No.	Mfr. National
2620409	ACDEL 9864S	262499R91	IH 416271	26354	C-R 417082	264480648	GARLK 470380
2620411	ACDEL 9912	2624RC	SUL 417211	26354	SKF 417082	264480837	GARLK 473234
2620465	MERCM 7840S	2625431	MERCM 340009S	263544TL	TRSCM 417079	264481474	GARLK 471272
2620513	MERCM 340483	2625776	MERCM 340385	26354SA	TRSCM 455368	264482120	GARLK 417344
2620530	MERCM 340787	2625837	MERCM 472475	26356	C-R 417082	264486231	GARLK 473231
26208	C-R 415458V	26260	C-R 415458	26356	SKF 417082	264486252	GARLK 472164
26208	LAU 471267	26260	SKF 415458	26358	C-R 712625	264486436	GARLK 476820
26208	SKF 415458V	26261	NEWPR 4370N	26358	SKF 712625	264486870	GARLK 455134
26208M	DIA 415001	262611	WALKE 450301	2636054	MERCM 471272	264487033	GARLK 470954
26208M	DIA 455001	262611	WALKE 472397	26361	C-R 416278	264487090	GARLK 471271
26209	C-R 415458	2626209	MERCM 240731	26361	SKF 416278	264487256	GARLK 472446
26209	C-R 455003	2626226	MERCM 471571	26363PTB	TRSCM 475003N	264487295	GARLK 416127
26209	SKF 415458	2626782	MERCM 343185	26363TB	TRSCM 475458	264489508	GARLK 471466
26209	SKF 455003	26272	C-R 3813	26364SA	TRSCM 455003	264489509	GARLK 471264
2620948	MERCM 471538	26272	SKF 3813	26364TA	TRSCM 415003	264489994	GARLK 471689
26211	C-R 415458	2627OS	JN-MN 417487	26368	C-R 418027	26449	TMTR 473232
26211	SKF 415458	2627OS	JN-MN 455086	26368	SKF 418027	26449	VICK 416011
262118	GR-DV 470682	2628	TIMKE 2628	2636D	GOODM 418028	26449	VICK 417621
262119	CLARK 451469	26283	VICK 470358	2636D	GOODM 455137	26450	TMTR 471554
262120	CLARK 450069	26283	VICK 473231	26373	C-R 9773	264530R91	IH 410119
262120	CLARK 473232	26284	C-R 417343	26373	SKF 9773	264530R91	IH 471442
262123	MINMA 450068	26284	SKF 417343	26373TA	TRSCM 417343	264532R91	IH 471564
262124	CLARK 472185	262843C91	IH 451143	26374TA	TRSCM 410708	264533R91	IH 410163
262124	GR-DV 450070	2628643	MERCM 472475	26378	C-R 9773	264533R91	IH 471766
262124	GR-DV 472185	2629	CALSO 204038	26378	SKF 9773	264534R91	IH 410708
262124K	BENDI 471801	26297	C-R 417343	26379	C-R 710446	26454	MALL 340469
262153	ACF 470045	26297	SKF 417343	26379	SKF 710446	26457PTB	TRSCM 9773
262153	ACF 476838	26298	C-R 417343	2638105	MERCM 470625	264589	HYST 417181
26216	JNSON 455144	26298	SKF 417343	263821R91	IH 472439	264633R91	IH 412473
2621642	MERCM 343185	262997	ALLCH 450621	2638D	GOODM 416865	264633R91	IH 415894
2621670	MERCM 240119	262A15204	TROS 5070	26395	VICK 471466	264634R91	IH 473447
26217	JNSON J1119	262A15604	TROS 6064	263PKG	TIMKE 263PKG	26467	LAU 471466
2621740	MERCM 340787	262A20005	TROS 8139	263R	TIMKE 263PKG	264674R91	IH 450066
2621757	MERCM 340815	262PKG	TIMKE 262PKG	264A401	MERIX 415072	264674R91	IH 473367
2621970	MERCM 340724	262R	TIMKE 262PKG	264A4011	BENDI 415072	264693R91	IH 473447
26220	C-R 475003N	263600	ELRNG 710279	26402	US-EL 415449	264694R91	IH 450066
26220	SKF 475003N	26303	VICK 450070	26402	US-EL 455147	264694R91	IH 473367
26220008	TROS 205044	26303	VICK 472185	26409	US-EL 470062	264695R91	IH 415379
26220F	DIA 450082	26310	C-R 200392	26409	US-EL 474264	264696R91	IH 417211
26220F	DIA 473238	26310	HYST 415437	2640D	GOODM 415023	264697R91	IH 412473
26226402	ALLCH 472324	26310	SKF 200392	2640OS	JN-MN 416404	264697R91	IH 415894
2622710A	ACDEL 5123	263148	GMC 471750	26410	US-EL 417171	264699R91	IH 415437
2622711A	ACDEL 416125	263148	ROSS 450048	26415	EATON 472015	264701R91	IH 415147
2622712A	ACDEL 5121	2632	DURA 450593	264179C91	IH 410085N	264701R91	IH 415449
2623001	FMC 471647	26324SA	TRSCM 451143	264183	GMC 470120	264745R91	IH 210945
2623028	FMC 450494	2632511	MERCM 471766	264183	GMC 471224	26490	LAU 470328
2623028	FMC 472164	26328	C-R 415007	2641OS	JN-MN 415458	26490	LAU 481213
2623300	MERCM 6835S	26328	SKF 415007	2641OS	JN-MN 455003	264A401	ROCKW 415072
2623517	MERCM 350954	2632D	GOODM 418028	2642OS	JN-MN 416011	264PKG	TIMKE 264PKG
2623517	MERCM 470954	2632D	GOODM 455137	2642OS	JN-MN 417621	264R	TIMKE 264PKG
26237	C-R 415458	26334TA	TRSCM 413248	264356	ALLCH 471442	26510	C-R 710549
26237	C-R 475003N	263448	JEFF 450104	264381	RCA 350156	26510	SKF 710549
26237	SKF 415458	263463	GMC 472560N	264381	RCA 473096	26515	STAR 7186S
26237	SKF 475003N	263463	GMC 50151S	264398	RCA 6863S	265283	GMC 474278
26238	C-R 475458	2634D	GOODM 455018	26444	HYST 412119	265283	GMC 480356
26238	SKF 475458	2634D	GOODM 476470	26444	HYST 450101	26542D	IH 470950
26239	C-R 475003N	2634F	GOODM 455018	264480114	GARLK 471553	26542D	IH 6241S
26239	SKF 475003N	2634F	GOODM 476470	264480542	GARLK 471192	26549M	DIA 410085
26247	C-R 710519	26351	WHITE 471820	264480550	GARLK 470950	26549M	DIA 470530
26247	SKF 710519	26353TB	TRSCM 475368N	264480550	GARLK 6241S	2655	TIMKE 2655

INTERCHANGE SECTION

COMPETITIVE INTERCHANGES

Mfr No.	Mfr.	National	Mfr No.	Mfr.	National	Mfr No.	Mfr.	National	Mfr No.	Mfr.	National
2655F	IH	473213	266PKG	TIMKE	266PKG	268630313	GA-WO	415003	2694038	MERCM	472324
26568	FBG	1962	266R	TIMKE	266PKG	268630313	GA-WO	415458	269462	ACF	410694
26570D	IH	415035	267022R91	IH	471733	268630331	GA-WO	416664	26966F	DIA	450076
26570D	IH	455035	267057	JEFF	473225	268630373	GA-WO	415281N	26966F	DIA	470334
2658	TIMKE	2658V	267059	JEFF	417487	268630400	GA-WO	417351	26990K	IH	450316
2658111	MERCM	470390	267059	JEFF	455014	268630481	GA-WO	415379	26990K	IH	472636
2658V	TIMKE	2658V	2671168	FMC	472258	268630487	GA-WO	415437	2699325	MERCM	471529
2659093	FMC	240736	267371	HYST	473232	268630507	GA-WO	416345	26996	BOSTN	476820
2659093	PEERC	240736	2673838	MERCM	470328	268630509	GA-WO	415697	269PKG	TIMKE	269PKG
2659757	CHRY5	417262	2673838	MERCM	481213	268630509	GA-WO	455547	269R	TIMKE	269PKG
2659757	CHRY5	455448	2674	NATL	370054A	268630515	GA-WO	415035	26H7693	FORD	240698
2659993	FMC	470806	2674	TIMKE	2674	268630515	GA-WO	455035	26X1828	GARLK	455079
2659993	PEERC	470806	26747	C-R	710091	268630595	GA-WO	415351	26X40X8SB	TRSCM	471076
265PKG	TIMKE	265PKG	26747	SKF	710091	268630621	GA-WO	415371	27107539262	BMW	710743
265R	TIMKE	265PKG	26748	C-R	710334	268630643	GA-WO	416154	27107539265	BMW	710744
266340	ELRNG	710521	26748	SKF	710334	268630673	GA-WO	415725	27107539266	BMW	710746
266350	ELRNG	710520	26749	C-R	710334	268630691	GA-WO	417541	27107540774	BMW	710746
2661738	FMC	450604	26749	SKF	710334	268630742	GA-WO	415610	27107546667	BMW	710745
2661RC	SUL	471689	267538	HYST	415447	268630747	GA-WO	455576	27107623527	BMW	224250
26620	C-R	7780N	267583	HYST	415447	268630748	GA-WO	417362	27111226314	BMW	224010
26620	SKF	7780N	26761	C-R	455151	268630750	GA-WO	416666	27211020500	BMW	710310
266218R91	IH	473405	26761	SKF	455151	268630815	GA-WO	415074	27211224632	BMW	710310
26625	C-R	710234	267616R91	IH	417355	268630915	GA-WO	415551	27211224636	BMW	223510
26625	SKF	710234	26762	C-R	127592	268630948	GA-WO	417600	27A93	BORGW	472924
2662818	MERCM	483230V	26762	SKF	127592	268630970	GA-WO	415128	27003943	WHITE	370003A
2662LPD	JN-MN	416107	26769C	DIA	470358	268632072	GA-WO	J1127	27003943	WHITE	380003A
2662OS	JN-MN	416107	26769C	DIA	473231	268695	IH	8650S	27006	ALLCH	416339
2662OS	JN-MN	455073	26773	AMC	471570	268695R91	IH	8650S	27006	ALLCH	455031
26640	C-R	710446	2677634	MERCM	471570	268697R91	IH	410085	270065R91	IH	2218
26640	HYST	450143	26784	JNSON	473238	268697R91	IH	470530	270178	KOHL	450117
26640	SKF	710446	26784C	DIA	410987	268698R91	IH	415836	270178	KOHL	472572
2665	HWY	471571	26784C	DIA	450103	268698R91	IH	415995	27021377	WHITE	370003A
2665	NATL	224820	267868	SPERY	340930	268699R91	IH	412920	27021377	WHITE	380003A
2666	HWY	471571	26788	C-R	710878	268721	GMC	450183	27021378	WHITE	370023A
266638	CLIMX	417254	26788	SKF	710878	268721	GMC	472179	27021378	WHITE	380023A
266674R91	IH	415449	26790	EUROS	227550	26877	C-R	486857	27021808	WHITE	370001A
266674R91	IH	455147	267981	GMC	470059	26877	SKF	486857	27021808	WHITE	380001A
266675R91	IH	416288	267981	GMC	470380	268843	GMC	470590	27022919	WHITE	370001A
266676R91	IH	415034	267PKG	TIMKE	267PKG	26889	LAU	481443	27022919	WHITE	380001A
266676R91	IH	455034	267R	TIMKE	267PKG	2689	HWY	471760	27023	FUNK	415009
266677R91	IH	473245	26800	EUROS	229005	2689	NATL	2689S	27023	FUNK	415960
266698	ACF	470358	268000	ACF	415027	26890	C-R	365008	27023	NEWPR	710597
266698	ACF	473231	268122	GR-DV	470074	26890	SKF	365008	2702A006	MITSU	710923
266726R91	IH	416163	268122	GR-DV	474265	268911	HYST	417541	2702A014	MITSU	710598
266727R91	IH	417539	268122M1	BUTBN	470074	26898R	DIA	415437	2702A072	MITSU	710598
266728	HYST	200912	268122M1	BUTBN	474265	26898R	DIA	455173	270380C91	IH	416921
2667346	FMC	471192	268419	GMC	471763	26899C	DIA	415060	2704638	SPICE	470163
2667346	PEERC	471192	268440	GMC	450183	2689S	TIMKE	2689S	2704638	SPICE	471766
266736R91	IH	470712	268440	GMC	472179	268PKG	TIMKE	268PKG	270630213	GARLK	351267
266737R91	IH	415304	268465	GMC	450307	268R	TIMKE	268PKG	270630213	GARLK	471267
266737R91	IH	476470	26850F	DIA	415988	2690	HWY	470045	270636100	GARLK	471760
266784C91	IH	350414	268542	GMC	417316	2690	HWY	476838	270636113	GARLK	1049
266784C91	IH	472311	268542	GMC	455004	269039	ACF	470169	270636169	GARLK	471652
2667871	FMC	474255	268630022	GA-WO	240119	269039	ACF	473214	270637521	GARLK	6668S
2667874	FMC	450090	268630058	GA-WO	340817	2692	TIMKE	2692	270639502	GARLK	6863S
2667874	FORD	370047A	268630061	GA-WO	470045	26921	C-R	455008	270639509	GARLK	471264
2667874	PEERC	450090	268630061	GA-WO	476838	26921	SKF	455008	270639515	GARLK	351267
26695	C-R	710275	268630090	GA-WO	451857	269220R91	IH	472924	270639515	GARLK	471267
26695	SKF	710275	268630190	GA-WO	473463	2693	HWY	470548	270639528	GARLK	6668S
2669OS	JN-MN	415327	268630312	GA-WO	455655	2693	HWY	470625	270639530	GARLK	472213

INTERCHANGE SECTION

COMPETITIVE INTERCHANGES



Mfr No.	Mfr.	National	Mfr No.	Mfr.	National	Mfr No.	Mfr.	National	Mfr No.	Mfr.	National
27073109	WHITE	370065A	27076264	WHITE	380065A	271597R91	IH	471442	272236639	GARLK	472658
27073109	WHITE	376590A	27076265	WHITE	370007A	27162	MICH	473414	272236639	GARLK	473197
27073109	WHITE	380065A	27076266	WHITE	370007A	27162	UNIVE	473414	272236738	GARLK	472239
27073176	WHITE	370036A	27076267	WHITE	370007A	27165	FBG	710764	272237033	GARLK	470954
27073176	WHITE	370349A	27076268	WHITE	370007A	271680	VOLVO	716102	2722389	GARLK	471264
27073176	WHITE	380036A	27076269	WHITE	370001A	2716801	VOLVO	716102	2722396	GARLK	471612
27074117	WHITE	370065A	27076269	WHITE	380001A	271703	VOLVO	710215	27225	C-R	710038
27074117	WHITE	376590A	27076270	WHITE	370001A	2717031	VOLVO	710215	27225	SKF	710038
27074117	WHITE	380065A	27076270	WHITE	380001A	27178	BOSTN	351466	272257	ALLCH	471424V
27074450	WHITE	370003A	27076274	WHITE	370036A	27178	BOSTN	471466	27233	BL-KN	473215
27074450	WHITE	380003A	27076274	WHITE	370349A	271797R91	IH	450269	272354	BL-KN	470163
27074741	WHITE	370012A	27076274	WHITE	380036A	271799R91	IH	450269	272354	BL-KN	471766
27074742	WHITE	370057A	270773	ALLCH	417316	27180	BOSTN	471224	2723OS	JN-MN	410308
27074743	WHITE	370023A	2708026	GMC	370181A	27182	BOSTN	350954	2723OS	JN-MN	450308
27074743	WHITE	380023A	27089D	IH	415001	27182	BOSTN	470954	27244	BOSTN	471526
27074744	WHITE	370036A	27089D	IH	455001	27182	UNIVE	473415	27246	BOSTN	471570
27074744	WHITE	370349A	27093H	IH	473463	271821C91	IH	417555	27248	BOSTN	450588
27074744	WHITE	380036A	270954	GMC	340413	27183	MICH	473415	27250	BOSTN	471649
27074745	WHITE	370036A	270PKG	TIMKE	270PKG	27184	BOSTN	471264	27251	C-R	480491
27074745	WHITE	370349A	270R	TIMKE	270PKG	27186	BOSTN	471554	27251	SKF	480491
27074745	WHITE	380036A	2710101	EIMCO	473243	27188	BOSTN	471652	27252	BOSTN	471818
27074750	WHITE	370007A	27104674	WHITE	370003A	27192	BOSTN	471766	27254	BOSTN	471141
27074803	WHITE	370001A	27104674	WHITE	380003A	27193	JNSON	J1126	272545	SPERY	473227
27074803	WHITE	380001A	27108334	WHITE	370030A	27193	US-EL	450161	27256	BOSTN	470380
27074815	WHITE	370037A	27108900	WHITE	370003A	27193	US-EL	471764	27256	BOSTN	470380V
27074815	WHITE	370338A	27108900	WHITE	380003A	27194	BOSTN	476838	27260	BOSTN	350364
27074960	WHITE	370030A	27109090	WHITE	370025A	27194	JNSON	415379	27260	HYST	470712
27074962	WHITE	370003A	27109090	WHITE	380025A	27194	JNSON	455379	27262	BOSTN	330385
27074962	WHITE	380003A	27109090	WHITE	386025A	27196	BOSTN	6760S	27264	BOSTN	441130
27075003	WHITE	370012A	27109091	WHITE	370025A	27198	BOSTN	471192	27268	C-R	416664
27075348	WHITE	370025A	27109091	WHITE	380025A	271PKG	TIMKE	271PKG	27268	SKF	416664
27075348	WHITE	380025A	27109091	WHITE	386025A	271R	TIMKE	271PKG	27269	C-R	416664
27075348	WHITE	386025A	2711	STEM	370048A	272091	ELRNG	710449	27269	SKF	416664
27076252	WHITE	370065A	2711035	WOOL	471270	27200	BOSTN	473233	27271	C-R	45827S
27076252	WHITE	380065A	27117	C-R	710570	27204	BOSTN	450593	27271	SKF	45827S
27076255	WHITE	370037A	27117	SKF	710570	2720401	EIMCO	472319	27278	BOSTN	340827
27076255	WHITE	370338A	271262	VOLVO	1955	2720403	EIMCO	470487N	272797R91	IH	450269
27076258	WHITE	370025A	2712628	VOLVO	1955	27208	BOSTN	471870	27280	C-R	416664
27076258	WHITE	380025A	27127531519	BMW	710964	27208	BOSTN	471883	27280	SKF	416664
27076258	WHITE	386025A	271281	SPERY	473228	27210	BOSTN	470334	2728OS	JN-MN	471192
27076259	WHITE	370025A	271281	SPERY	481837	27210	C-R	310841	27292	C-R	227040
27076259	WHITE	380025A	27128839	WHITE	370003A	27210	SKF	310841	27292	C-R	417484N
27076259	WHITE	386025A	27128839	WHITE	380003A	27214	BOSTN	471750	27292	C-R	475322N
27076260	WHITE	370036A	27130	JNSON	455566	27216	BOSTN	471255	27292	SKF	227040
27076260	WHITE	370037A	27133	JNSON	J1122	27218	BOSTN	471276	27292	SKF	417484N
27076260	WHITE	370338A	271337R1	IH	415035	27220	BOSTN	471549	27292	SKF	475322N
27076260	WHITE	370349A	271337R1	IH	415953	27220	BOSTN	472467	27293	C-R	455322V
27076260	WHITE	380036A	271391	VOLVO	482126	272230215	GARLK	470680	27293	SKF	455322V
27076261	WHITE	370036A	2713915	VOLVO	482126	272230215	GARLK	471570	27295	C-R	475322N
27076261	WHITE	370037A	271392	VOLVO	710215	272230287	GARLK	471224	27295	SKF	475322N
27076261	WHITE	370338A	2713923	VOLVO	710215	272230359	GARLK	471763	272A451	BENDI	472826
27076261	WHITE	370349A	27146	FBG	710642	272230760	GARLK	473231	272PKG	TIMKE	272PKG
27076261	WHITE	380036A	27147531520	BMW	710963	272234600	GARLK	472432	272R	TIMKE	272PKG
27076262	WHITE	370036A	2715	WOODB	450361	272234600	GARLK	474256	27301	C-R	417484
27076262	WHITE	370037A	2715	WOODB	472193	272235051	GARLK	471276	27301	SKF	417484
27076262	WHITE	370338A	27150	MICH	473414	272236176	GARLK	472681	2730201	EIMCO	415995
27076262	WHITE	370349A	27150	UNIVE	473414	272236176	GARLK	473259	2730201	EIMCO	455013
27076262	WHITE	380036A	271592	ALLCH	471141	272236282	GARLK	476511	27303A	EIMCO	415035
27076264	WHITE	370065A	27159201	ALLCH	471141	272236486	GARLK	476510	27303A	EIMCO	455035
27076264	WHITE	376590A	271597R91	IH	410119	272236557	GARLK	471379	2730402	EIMCO	411245

INTERCHANGE SECTION

COMPETITIVE INTERCHANGES

Mfr No.	Mfr.	National	Mfr No.	Mfr.	National	Mfr No.	Mfr.	National	Mfr No.	Mfr.	National
2730402	EIMCO	455096	27372VHY	TRSCM	46997S	2744160G10000SUZUK	710752		27577	C-R	476281
27307	KELSE	416339	27374SA	TRSCM	455004	274484R91	IH	473228	27577	SKF	476281
27307	KELSE	455031	27374TA	TRSCM	415004	27452	C-R	415009N	27583	KELSE	415041
273095R91	IH	415984	27374TB	TRSCM	475004H	27452	SKF	415009N	275B	WHITE	6863S
273301C91	IH	5403	27377	C-R	417316	27461	C-R	4564V	27600	C-R	416282
273302C91	IH	5403	27377	SKF	417316	27461	SKF	4564V	27600	SKF	416282
27334	C-R	415984	273824	VOLVO	482126	274611	SPICE	472394	27601	C-R	416282
27334	SKF	415984	2738243	VOLVO	482126	274631	SPICE	472394	27601	SKF	416282
27336	CATER	470380	27383TB	TRSCM	415960	274633	SPICE	473225	2760600	EIMCO	416364
27337	VICK	353120	27384SA	TRSCM	455009	274634	SPICE	473243	2761172C00	SUZUK	710396
27339	KELSE	415035	27384TA	TRSCM	415009	274635	SPICE	416654	2761182300	SUZUK	223542
27339	KELSE	455035	27384TB	TRSCM	475009N	274635	SPICE	455012	276119	GR-DV	450274
27346HA	IH	450095	273857C91	IH	2218	274638	SPICE	470163	2761279C10	SUZUK	710715
27346HA	IH	473464	273872	VOLVO	40769S	274638	SPICE	471766	2761279C10000SUZUK	710715	
27346HB	IH	450095	2738722	VOLVO	40769S	27467	C-R	415960	27614K	IH	474274
27346HB	IH	473464	2738T2	WHITE	417484N	27467	SKF	415960	2762	IH	450089
2734OS	JN-MN	415138	2738T2	WHITE	455322	2746T2	DIA	472636	276202R91	IH	415836
27352VB	TRSCM	45827S	27394	C-R	46997S	2746T2	WHITE	450316	276202R91	IH	415995
273544PTA	TRSCM	455322N	27394	SKF	46997S	2746T2	WHITE	472636	276207R91	IH	417211
27354SA	TRSCM	455364	273980R91	IH	415449	27470	C-R	455009	27621	C-R	55238
27354SA	TRSCM	485364N	273980R91	IH	455147	27470	HYST	415960	27621	SKF	55238
273564R91	IH	415437	273981R91	IH	415034	27470	HYST	455009	276323	HYST	472924
273565R91	IH	415458	273981R91	IH	455034	27470	SKF	455009	276397C91	IH	415035
273565R91	IH	455003	273982R91	IH	472179	27471	C-R	415960	276397C91	IH	415953
273566R91	IH	210945	273985R91	IH	473245	27471	C-R	4564V	27641	LAU	340771
273570R91	IH	450085	273986R91	IH	416288	27471	SKF	415960	27642	C-R	3591
273570R91	IH	470530	273987R91	IH	473245	27471	SKF	4564V	27642	SKF	3591
273571R91	IH	473447	273988R91	IH	416288	274PKG	TIMKE	274PKG	276603	HYST	417366
273573R91	IH	8650S	273989R91	IH	415034	274R	TIMKE	274PKG	2767	FWD	450183
273574R91	IH	415836	273989R91	IH	455034	2750101	EIMCO	472234	2767	FWD	472179
273574R91	IH	415995	273PKG	TIMKE	273PKG	275067	HYST	470543	27676	LAU	7014S
273575R91	IH	415995	273R	TIMKE	273PKG	275067	HYST	474272	2768012	CHRYSL	6840S
273575R91	IH	455013	274014	PEERC	450066	27512	HARN	450183	2768017	CHRYSL	6960
273578R91	IH	450085	274014	PEERC	473367	27512	HARN	472179	276983	HYST	413479
273578R91	IH	470530	27402B	EIMCO	416865	275124	CABOT	450183	276985	HYST	473212
273580R91	IH	471570	27402VH	TRSCM	43086S	275124	CABOT	472179	277216	ELRNG	224010
273581R91	IH	450066	27404PTA	TRSCM	415272N	275124	GOODM	450082	277065	KOHL	473234
273581R91	IH	473367	27404PTA	TRSCM	455272	275124	GOODM	473238	277106	HR-DV	470606
273582R91	IH	417354	2740601	EIMCO	416364	275124	GR-DV	450183	277181R91	IH	441130
273584R91	IH	417211	2740D	GOODM	415025	275124	GR-DV	472179	277219C91	IH	416364
273585R91	IH	417351	27424PTA	TRSCM	416282	275124	HARN	450183	27723	C-R	1021V
273585R91	IH	455154	27427	WHITE	415449	275124	HARN	472179	27723	SKF	1021V
2735OS	JN-MN	415076	27427	WHITE	455147	275126	FAIRB	450118	27725	C-R	227020
27361	C-R	417316	27430	C-R	2222	275126	FAIRB	473449	27725	SKF	227020
27361	SKF	417316	27430	SKF	2222	27519	CHAMP	415697	27738	HR-DV	50468
27362	C-R	417316	2743160G10	SUZUK	710616	27525	C-R	55469	277383R91	IH	471255
27362	SKF	417316	2743160G10000SUZUK	710616		27525	SKF	55469	27740	C-R	227040
27365	C-R	415004V	2743173B20	SUZUK	710724	27526	C-R	476574N	27740	SKF	227040
27365	SKF	415004V	2743184E00	SUZUK	710616	27526	SKF	476574N	27743	C-R	227040
27368	C-R	417316	2743184E00000SUZUK	710616		27531	HYST	471442	27743	SKF	227040
27368	C-R	455004	2743260B01	SUZUK	223535	27541	C-R	416706	277433	BUC-E	415871
27368	SKF	417316	2743270C00	SUZUK	239146	27541	SKF	416706	27746	FMC	470163
27368	SKF	455004	2743270C00000SUZUK	239146		27542	C-R	415272N	27746	FMC	471766
2736D	GOODM	417191	274324	VICK	350435	27542	SKF	415272N	27749	C-R	227045
2736D	GOODM	455165	27438	C-R	370150A	27558	C-R	4874N	27749	SKF	227045
27370	C-R	417316	27438	C-R	370352A	27558	SKF	4874N	27750	C-R	227045
27370	SKF	417316	27438	SKF	370150A	275597R91	IH	473447	27750	HR-DV	417267
273701R91	IH	6863S	27438	SKF	370352A	27565	C-R	415272N	27750	SKF	227045
2737153F00	SUZUK	223542	2744	CHEL	450326	27565	SKF	415272N	27752	FMC	470045
2737153F00000SUZUK	223542		2744160G10	SUZUK	710752	2757682	GMC	370019A	27752	FMC	476838

INTERCHANGE SECTION

COMPETITIVE INTERCHANGES



Mfr No.	Mfr. National	Mfr No.	Mfr. National	Mfr No.	Mfr. National	Mfr No.	Mfr. National
27761	C-R 710456	279755R91	IH 412473	280886C91	IH 455958	28308	C-R 227235
27761	SKF 710456	279755R91	IH 415894	281407641C	VW 225500	28308	SKF 227235
277724R91	IH 473228	27AF1	BR-WN 470954	281498625	VW 225500	28310	C-R 1986
277724R91	IH 51098	27KH114	MACK 417484N	281514	ELRNG 710762	28310	SKF 1986
277727R91	IH 450593	27KH114	MACK 475322N	28101	TROS 5796	28325	C-R 474230
277728R91	IH 450076	27KH116	MACK 5578	2811035	C-W 416239	28325	SKF 474230
277728R91	IH 470334	27UV0625	WHITE 450291	2811035	WOOL 416239	28332	C-R 710075
277729R91	IH 471785	27UV0625	WHITE 471141	281139	ACF 471570	28332	SKF 710075
277730R91	IH 415938	28P216	DANA 470163V	28116	C-R 417485	283333R91	IH 471765
27802	HYST 412871	28P218	DANA 471231V	28116	SKF 417485	283403R91	IH 350954
27802	HYST 450329	28P236	SPICE 470774V	2811RC	SUL 473405	283403R91	IH 470954
278052R91	IH 2218	28P261	SPICE 412015V	28124D	IH 415027	283442C91	IH 417530
278058R91	IH 470074	28P52	SPICE 410163	28124D	IH 455027	28363TB	TRSCM 415303
278058R91	IH 474265	28P52	SPICE 471766	28127D	IH 415043	2836D	GOODM 415991
278059R91	IH 471684	28P56	SPICE 471529	28137	MICH 471267	2836D	GOODM 455146
278059R91	IH 471698	28P60	SPICE 450326	281374TL	TRSCM 455005	28377	C-R 710963
278060R91	IH 411253	28001H	IH 475012N	281404SA	TRSCM 475384	2837D	GOODM 417196
278060R91	IH 450099	28001HA	IH 475012N	28143	DURA 417267	283842C91	IH 370007A
278061R91	IH 411253	28002669	GMC 4614N	28150	MICH 471570	283842C91	NAVST 370007A
278061R91	IH 450099	28002670	GMC 4614N	28150	UNIVE 471570	28384SP	TRSCM 9864S
2781F	IH 455008	2800OS	JN-MN 410520	28153D	IH 416288	28384TA	TRSCM 455355
2784163B00	SUZUK 710287	2800OS	JN-MN 471272	2815OS	JN-MN 471567	2839213	WHITE 450639
2784263B00	SUZUK 710286	280132165	GARLK 473204	28162	MICH 471646	28394	EATON 5MR1009
2785001	BR-WN J1122	28015AA001	SUBAR 710529	28162	UNIVE 471646	2839D5	DIA 417484N
27852A	IH 473446	28015AA011	SUBAR 710226	28175	C-R 475384	2839D5	DIA 475322N
27853	KELSE 40566S	28015AA021	SUBAR 710464	28175	MICH 470590	2839D5	WHITE 417484N
278616C92	NAVST 370030A	28015AA030	SUBAR 710463	28175	SKF 475384	2839D5	WHITE 475322N
278616_C92	IH 370030A	28015AA040	SUBAR 710464	28175	UNIVE 470590	2840101	EIMCO 471887
27875	MALL 470219	28015AA050	SUBAR 710529	28182	UNIVE 471137	2840202	EIMCO 412040
27875	MALL 471649	28015AA060	SUBAR 225005	28183	MICH 471137	28404TA	TRSCM 455011
27876	LAU 450431	28015AA070	SUBAR 710463	28187	MICH 471730	284098	ACF 470358
27876	LAU 471539	28015AA0708A	SUBAR 710463	281W450	CONE 5399	284098	ACF 473231
278773	ACF 450085	28015AA080	SUBAR 710464	28200	UNIVE 470645	2840D	GOODM 417537
278773	ACF 470530	28015AA090	SUBAR 710529	282131C1	NAVST 5064	2840OS	JN-MN 473439
27897	LAU 470120	28015AA100	SUBAR 225005	28220	TROS 416738	2841	FORD 5727
27897	LAU 471224	28015AA110	SUBAR 710226	28220	TROS 450096	28413TA	TRSCM 417134
278K1	WHITE 474278	28015PA000	SUBAR 710231	2822V	TIMKE 2822V	28420D	IH 415072
278K1	WHITE 480356	2801692	CHRY5 9376	28238	HYST 470219	28420DA	IH 415072
279528	ELRNG 711029	2801733	CHRY5 9487	28238	HYST 471649	28425	C-R 2081
279810	ELRNG 710787	2801733	DOMGA 9487	28246	SPERY 471192	28425	SKF 2081
2791	TIMKE 2791	280197417859	BORGW J1121	28246	VICK 471192	28426	C-R 2081
27925	HYST 473463	280197423622	BORGW J1115	28257	FBG 710588	28426	SKF 2081
27926	NEWPR 710835	280197425662	BORGW J1115	2825713	CHRY5 340413	284395TA	TRSCM 2081
279343C91	IH 415449	28032	FUNK 450183	282609	ALLCH 473424	28446	C-R 2081
279343C91	IH 455147	28032	FUNK 472179	2826106	CHRY5 482163N	28446	SKF 2081
27947	CHAMP 415483	28033	FUNK 415449	2826106	DOMGA 482163N	28454SA	TRSCM 455144
279493R91	IH 415995V	28033	FUNK 455147	2826362	CHRY5 475012N	28460	LAU 470219
279493R92	IH 415995V	28035	C-R 455005	28265	AMC 450067	28460	LAU 471649
279494R91	IH 415995V	28035	SKF 455005	28265	AMC 473228	2846582	CHRY5 473423
2794RC	SUL 450076	280423	HYST 473230	28266D	IH 412119	2847149	CHRY5 472843
2794RC	SUL 470334	2805OS	JN-MN 450083	28266D	IH 450101	28474	C-R 456837V
279522	HYST 470682	2805OS	JN-MN 472924	28270	C-R 411348	28474	SKF 456837V
279731R91	IH 471255	280689	ACF 470169	28270	SKF 411348	285	C-R 5106
279750R91	IH 455006N	280689	ACF 473214	28275	C-R 411348	285	SKF 5106
279751R91	IH 412473	2806OS	JN-MN 473225	28275	SKF 411348	28503A	EIMCO 412040
279751R91	IH 415894	2807OS	JN-MN 417605	28276	C-R 411348	28517	SPERY 340120
279751R92	IH 412473	2808267	CHRY5 6840S	28276	SKF 411348	2852574	CHRY5 473228
279751R92	IH 415894	2808268	CHRY5 6960	28288	VICK 418028	2852574	CHRY5 481837
279752R91	IH 412473	2808269	CHRY5 8121S	28288	VICK 455137	2852948	CHRY5 8660S
279752R91	IH 415894	280886C91	IH 415958	2829960	CHRY5 456744N	285310C91	IH 370001A

INTERCHANGE SECTION

COMPETITIVE INTERCHANGES

Mfr No.	Mfr.	National	Mfr No.	Mfr.	National	Mfr No.	Mfr.	National	Mfr No.	Mfr.	National
285310C91	NAVST	370001A	28687	C-R	417344	287666	ACF	471766	28P21	SPICE	471538
285310C91	NAVST	380001A	28687	SKF	417344	28778	C-R	416921	28P4	SPICE	450025
285311C91	IH	370007A	28697	C-R	455006N	28778	SKF	416921	28P4	SPICE	471553
285311C91	NAVST	370007A	28697	SKF	455006N	28790	C-R	416921	28P101	SPICE	472258
28531A	HEIL	470712	28699	NEWPR	710797	28790	C-R	455011	28P1011	SPICE	472258
28531A	HERCU	470712	287	C-R	5163	28790	SKF	416921	28P125	SPICE	471224
285333	ACF	415995	287	SKF	5163	28790	SKF	455011	28P222	DANA	455322V
285333	ACF	455013	287300	ELRNG	3909	287952	GWJ	471466	28P223	DANA	415012V
28540	C-R	710564	28700	C-R	417344	2879RX	OSHKO	6460S	28P233	DANA	471763V
28540	SKF	710564	28700	C-R	455006	28800	C-R	43086S	28P236	DANA	470774V
28545	C-R	710563	28700	SKF	417344	28800	SKF	43086S	28P237	DANA	415983V
28545	SKF	710563	28700	SKF	455006	2881041	CHRYSS	8516N	28P3	SPICE	471787
285511YY	Y-T	450194	28701	OLIVE	473228	2881185	CHRYSS	8695S	28P37	SPICE	472164
285511YY	Y-T	473010	28701	OLIVE	51098	28815	C-R	710554	28P371	SPICE	472164
28554	C-R	710568	28705	C-R	710586	28815	SKF	710554	28P372	SPICE	472164
28554	SKF	710568	28705	SKF	710586	28817	C-R	417134	28P40	SPICE	473228
2859981	VICK	240435	287120	FAIRB	450078	28817	SKF	417134	28P51	SPICE	471466
2859984	LAVOI	240716	287120	FAIRB	473444	28820	C-R	370010A	28P57	SPICE	471231
2859984	VICK	240716	287122	FORD	473446	28820	C-R	370054A	28P67	SPICE	450441
2860	CALSO	410524	287124	ALLCH	450291	28820	SKF	370010A	28P67	SPICE	471341
28600	C-R	710493	287124	ALLCH	471141	28820	SKF	370054A	28P69	SPICE	410496
28600	SKF	710493	287128K	FORD	450082	28830	C-R	2674	28P72	SPICE	415001
28603	C-R	710494	287128K	FORD	473238	28830	SKF	2674	28P75	DANA	417484
28603	SKF	710494	287129	BENDI	450082	28832	C-R	370054A	28P76	SPICE	416654
28617	OLIVE	416288	287129	BENDI	473238	28832	C-R	370211A	28P85	SPICE	471760
2862362	MOPAR	416654	287130	GWJ	472144	28832	SKF	370054A	28P86	SPICE	450185
2862362	MOPAR	455012	287130K	IH	472144	28832	SKF	370211A	28P86	SPICE	473229
28625	ROTO	471801	2872	GR-DV	450083	2883OS	JN-MN	417564	28X71	AIRCO	471103
286349R91	IH	415234	2872	GR-DV	472924	28848	C-R	455144	28X71	AIRCO	50197S
28635	C-R	710568	2872	GWJ	450083	28848	SKF	455144	28X716	AIRCO	470163
28635	SKF	710568	2872	GWJ	472924	28849	JOHND	450301	28X716	AIRCO	471766
286362R91	IH	415938	28720	C-R	9864S	28849	JOHND	472397	28X717	AIRCO	417316
286362R92	IH	415938	28720	SKF	9864S	288864R91	IH	472924	28X717	AIRCO	455004
286363R91	IH	415938	287201R91	IH	450066	288864R92	IH	472924	28X718	AIRCO	471171
286367R91	GWJ	415871	287201R91	IH	473367	288864R93	IH	472924	28X719	AIRCO	450085
286367R91	IH	415871	2872OS	JN-MN	416865	289031750	GARLK	710067	28X719	AIRCO	470530
286367R92	IH	415871	28739	C-R	710573	289067	BUC-E	415938	28X72	AIRCO	470027
28646	C-R	470547	28739	SKF	710573	289083R91	IH	415871	28X72	AIRCO	471554
28646	SKF	470547	28739K	IH	473466	289083R92	IH	415871	28X721	AIRCO	455005
286512R91	GWJ	455195	287442R91	IH	450066	289083R94	IH	415871	28X724	AIRCO	450025
286512R91	GWJ	472157	287442R91	IH	473367	289084R91	IH	415234	28X724	AIRCO	471553
28654	C-R	415303	28745	C-R	417158	28908H	IH	5MR71	28X725	AIRCO	415449
28654	SKF	415303	28745	SKF	417158	289198	SPERY	470380	28X725	AIRCO	455147
28655	C-R	415303	28746	C-R	417158	289290	SPERY	481163	28X726	AIRCO	417343
28655	SKF	415303	28746	SKF	417158	2893M	DIA	415991	28X728	AIRCO	471763
28656	C-R	3783	28751	C-R	417158	2893M	DIA	415991N	28X729	AIRCO	471570
28656	C-R	39802	28751	SKF	417158	289503R91	IH	415021	28X73	AIRCO	473205
28656	SKF	3783	28754	C-R	9864S	289796	HYST	J1136	28X730	AIRCO	470712
28656	SKF	39802	28754	SKF	9864S	2899531	CHRYSS	3095	28X731	AIRCO	417490
28657	DURA	6703S	28758	C-R	370150A	2899532	CHRYSS	3103	28X733	AIRCO	350567
28658	DURA	471224	28758	SKF	370150A	28AC203	CONTI	450085	28X733	AIRCO	471267
28658	ROTO	471224	28759	C-R	370150A	28AC203	CONTI	470530	28X739	AIRCO	417344
28669	C-R	417344	28759	SKF	370150A	28AK211	CONTI	470045	28X739	AIRCO	455006
28669	SKF	417344	28760	C-R	416921	28AK211	CONTI	476838	28X74	AIRCO	450115
2866D5	WHITE	474278	28760	SKF	416921	28P15	SPICE	411394	28X74	AIRCO	473467
2866D5	WHITE	480356	28761	C-R	416921	28P15	SPICE	450317	28X740	AIRCO	471705
286736	ACF	410520	28761	SKF	416921	28P18	SPICE	6847S	28X75	AIRCO	450316
286736	ACF	471272	28765	AMC	450067	28P19	SPICE	471267	28X75	AIRCO	472636
28686	C-R	417344	28765	AMC	473228	28P193	SPICE	350567	28X751	AIRCO	471652
28686	SKF	417344	287666	ACF	470163	28P193	SPICE	471267	28X76	AIRCO	417316

INTERCHANGE SECTION

COMPETITIVE INTERCHANGES



Mfr No.	Mfr.	National	Mfr No.	Mfr.	National	Mfr No.	Mfr.	National	Mfr No.	Mfr.	National
28X76	AIRCO	455004	290102	ACDEL	473473	290217	ACDEL	5MR71	29080	ACDEL	8871
28X79	AIRCO	412871	290103	ACDEL	411348	290220	ACDEL	417506	290811R91	IH	416921
28X79	AIRCO	450329	290104	ACDEL	417485	290221	ACDEL	417353	290811R91	IH	455011
29	UNIVE	471103	290105	ACDEL	417353	290222	ACDEL	416102	29085	ACDEL	9015S
29	UNIVE	50197S	290107	ACDEL	200600	290223	ACDEL	417509	29087	ACDEL	9150S
290117	ACDEL	370018A	290109	ACDEL	200640	290224	ACDEL	417359	29088	ACDEL	9339S
290134	ACDEL	3087	290110	ACDEL	200855	290225	ACDEL	416273	29090	ACDEL	8705S
29015	ACDEL	4250	290111	ACDEL	203006	290226	ACDEL	471192	29092	ACDEL	8705S
29018	ACDEL	5121	290112	ACDEL	205004	290227	ACDEL	417485	29093	ACDEL	40140S
290193	ACDEL	471271	290113	ACDEL	205044	29023	ACDEL	473450	290932	BR-ST	470328
29020	ACDEL	4148	290115	ACDEL	291295	29024	ACDEL	5827	290932	BR-ST	481213
290228	ACDEL	3357	290118	ACDEL	331301N	29025	ACDEL	5836	29094	ACDEL	40566S
290256	ACDEL	8705S	29012	ACDEL	710308	29026	ACDEL	5924	29095	ACDEL	40576S
290257	ACDEL	4739	290120	ACDEL	4148	29029	ACDEL	6064	29096	ACDEL	40769S
290257	NDEP	4739	290121	ACDEL	203006	29030	ACDEL	413478	29097	ACDEL	40973S
290258	ACDEL	710103	290122	ACDEL	442380	29031	ACDEL	353141	29098	ACDEL	41257
290259	ACDEL	710106	290126	ACDEL	417509	29031	KELSE	473239	29099	ACDEL	42101S
290261	ACDEL	4175	290127	ACDEL	455364	29033	ACDEL	3210	291100	ACDEL	8660S
290262	ACDEL	5682	290128	ACDEL	416273	29034	ACDEL	6336S	291106	ACDEL	8835S
290263	ACDEL	4795V	290129	ACDEL	416130	29035	TRANS	410308	291109	ACDEL	370086A
290265	ACDEL	710292	290130	ACDEL	417507	29044	ACDEL	6626S	291111	ACDEL	9128S
290266	ACDEL	1953	290131	ACDEL	415991	29045	ACDEL	6638S	291113	ACDEL	9178S
290268	ACDEL	4740	290132	ACDEL	4148	29045	VICK	416664	29112	ACDEL	2081
290269	ACDEL	4739	290133	ACDEL	493291	29045	VICK	455364	29113	ACDEL	2146
290272	ACDEL	370001A	290135	ACDEL	5131	29048	ACDEL	6781	291156	ACDEL	415041
290272	ACDEL	380001A	290138	ACDEL	40769S	29049	ACDEL	6785	29116	ACDEL	5113
290273	ACDEL	370150A	29014	ACDEL	2222	2905	ACDEL	1174	291232	ACDEL	370022A
290274	ACDEL	370211A	290140	ACDEL	5MR71	29051	ACDEL	6840S	291232	ACDEL	380022A
290275	ACDEL	370199A	290150	ACDEL	5M403	29054	ACDEL	44052	291300	ACDEL	370009A
290276	ACDEL	370212A	29016	ACDEL	3210	29055	ACDEL	6954S	291301	ACDEL	4795V
290277	ACDEL	471271	290162	ACDEL	5MR1008	29056	ACDEL	44053	291302	ACDEL	370024A
290280	ACDEL	8974S	290163	ACDEL	5MR1009	29057	ACDEL	6960	291303	ACDEL	370120A
290281	ACDEL	370011A	290167	ACDEL	205017	29057	TRANS	450519	291305	ACDEL	710166
290283	ACDEL	3553	29017	ACDEL	5109	29057	TRANS	471271	291306	ACDEL	370008A
290285	ACDEL	370048A	290180	ACDEL	1012N	29058	ACDEL	6985	291307	ACDEL	8660S
290286	ACDEL	8976S	290181	ACDEL	1209	29058	HYST	473464	291308	ACDEL	370003A
290287	ACDEL	370018A	290182	ACDEL	1213N	29059	ACDEL	7022S	291309	ACDEL	8660S
290288	ACDEL	5697	290184	ACDEL	5119	2906	ACDEL	1183	291310	ACDEL	370106A
290289	ACDEL	7934S	290188	ACDEL	40389S	29062	ACDEL	7381S	291311	ACDEL	370003A
290290	ACDEL	5698	29019	ACDEL	5123	29063	ACDEL	7537S	291312	ACDEL	710179
290291	ACDEL	710044	290190	ACDEL	43290S	29064	ACDEL	7600S	291313	ACDEL	224255
290292	ACDEL	8975S	290192	ACDEL	442874	29065	ACDEL	7607	291314	ACDEL	370371A
290293	ACDEL	370145A	290194	ACDEL	472394	290653R91	IH	471689	291315	ACDEL	4762N
290296	ACDEL	710466	290195	ACDEL	416273	29066	ACDEL	5113	291316	ACDEL	710105
290297	ACDEL	710548	290196	ACDEL	472213	29067	ACDEL	7780N	291319	ACDEL	710568
290298	ACDEL	710394	290197	ACDEL	482126	29068	ACDEL	7834	291320	ACDEL	710492
29050	ACDEL	6815	2902	ACDEL	224045	29069	ACDEL	7866S	291322	ACDEL	710067
29070	ACDEL	7934S	290200	ACDEL	410312N	2907	ACDEL	1188	291324	ACDEL	8835S
29076	ACDEL	6960	290201	ACDEL	455151	29071	ACDEL	7994S	291325	ACDEL	710057
29078	ACDEL	370047A	290202	ACDEL	6312	29072	ACDEL	8121S	291327	ACDEL	6358
29078	ACDEL	370048A	290204	ACDEL	41075S	29073	ACDEL	8139	291328	ACDEL	710522
29078	ACDEL	370182A	290205	ACDEL	46997S	29074	ACDEL	8243	291337	ACDEL	710864
29078	ACDEL	380048A	290206	ACDEL	45031S	29075	ACDEL	8430S	291338	ACDEL	710888
29081	ACDEL	8974S	29021	ACDEL	5756	29076	WHITE	450085	29156	ACDEL	370036A
29082	ACDEL	8975S	290211	ACDEL	200763	29076	WHITE	470530	29156	ACDEL	370338A
29083	ACDEL	8976S	290212	ACDEL	415082	290768R91	IH	415960	29156	ACDEL	370349A
29089	ACDEL	9406S	290213	ACDEL	415876	29077	ACDEL	8521S	29156	ACDEL	380036A
2901	ACDEL	471192	290214	ACDEL	417020	290787R91	IH	450115	291005R91	IH	416891
29010	ACDEL	1196	290215	ACDEL	417205	290787R91	IH	473467	291010R91	IH	415304
290100	ACDEL	45013S	290216	ACDEL	417514	29079	ACDEL	8705S	291010R91	IH	476470

INTERCHANGE SECTION

COMPETITIVE INTERCHANGES

Mfr No.	Mfr.	National	Mfr No.	Mfr.	National	Mfr No.	Mfr.	National	Mfr No.	Mfr.	National
29105	C-R	227409	291165	ACDEL	416024	291274	ACDEL	456618	291973R91	IH	455186
29105	SKF	227409	291166	ACDEL	455336	291295	TIMKE	291295	29198	ACDEL	8594S
291099	TIMKE	291099	291167	ACDEL	417541	2913	ACDEL	473238	29199	ACDEL	8597S
2911	ACDEL	1012N	291168	ACDEL	415447	291312	BR-ST	470120	292110	ACDEL	455355
29110	ACDEL	1955	291169	ACDEL	455448	291312	BR-ST	471224	29212	ACDEL	5778
291101	ACDEL	8676S	29117	HYST	450040	29132	ACDEL	5458	292128	ACDEL	2286
291102	ACDEL	8695S	291170	ACDEL	455547	291348R91	IH	471765	292135	ACDEL	710166
291103	ACDEL	8704S	291171	ACDEL	417506	291349R91	IH	471765	292210	ACDEL	370004A
2911035	WOOL	455297	291172	ACDEL	455860	29136	ACDEL	5481	2923P76127	LUF	473243
291104	ACDEL	8724S	291173	ACDEL	415958	29139	ACDEL	5487	29242	ACDEL	8460N
291104C91	IH	442380	291175	ACDEL	456648	2914	ACDEL	470898	29245	ACDEL	8610
291105	ACDEL	9569S	291176	ACDEL	470987	29141	NEHO	474278	2927	ACDEL	2043
291105C91	IH	442380	291177	ACDEL	472856	29141	NEHO	480356	29273	ACDEL	411330N
291107	ACDEL	8940S	291178	ACDEL	475458	29142	NEHO	472439	2929	ACDEL	370003A
291108	ACDEL	9049N	291179	ACDEL	481837	29142	SPERY	472439	2929	ACDEL	380003A
29111	ACDEL	2055	291181	ACDEL	3195	29142	VICK	472439	292025R91	IH	415076
291112	ACDEL	9161	291182	ACDEL	3199	29143	ACDEL	5573	292030R91	IH	417562
291116	ACDEL	9344S	291183	ACDEL	3214	291430	BENDI	340872	29207	NOK	4739
291117	ACDEL	9363S	291188	ACDEL	5M289	29144	ACDEL	5578	2921	ACDEL	472492
291118	ACDEL	9568	29119	ACDEL	5124	29144	EATON	473215	29210	NOK	710416
291119	ACDEL	9569S	291198	ACDEL	JV701	29145	ACDEL	5589	292100	ACDEL	450776
291120	ACDEL	9584	2912	ACDEL	472164	2914518	CHRYS	415085	292101	ACDEL	450984
291121	ACDEL	9864S	29120	ACDEL	5313	2914518	CHRYS	456648	292102	ACDEL	451078
291123	ACDEL	9912	291201	ACDEL	470712	29146	ACDEL	5751	292104	ACDEL	416444
291126	ACDEL	40316S	29121	ACDEL	5401	29147	ACDEL	414045	292105	ACDEL	417211
291128	ACDEL	42763	291216	ACDEL	1208	29159	ACDEL	6090S	292106	ACDEL	417539
2911368D00	SUZUK	224020	29122	ACDEL	5403	291596R91	IH	410520	292107	ACDEL	415281N
2911368D000000	SUZUK	224020	291221	ACDEL	473241	291596R91	IH	471272	292108	ACDEL	417159
291130	ACDEL	470764	291222C91	IH	475003N	2916	ACDEL	1180	292109	ACDEL	416404
291131	ACDEL	410987	291223	ACDEL	471316	29160	ACDEL	6241S	29211	ACDEL	450666
291132	ACDEL	51098	291225	ACDEL	473230	29161	ACDEL	6270	292111	ACDEL	455356
291133	ACDEL	410825	291237	ACDEL	417159	29162	ACDEL	6358	292112	ACDEL	415371
291135	ACDEL	51322	291238	ACDEL	45187S	291675	BR-ST	330663	292113	ACDEL	415437
291136	ACDEL	484058	291242	ACDEL	415043	291675	BR-ST	472354	292114	ACDEL	417518
291137	ACDEL	455249	291243	ACDEL	415711	29171	ACDEL	6635S	292115	ACDEL	455500
291138	ACDEL	456618	291244	ACDEL	55353	29173	CHERY	481864	292116	ACDEL	416292
291139	ACDEL	416297	291247	ACDEL	415077	29174	ACDEL	485497	292117	ACDEL	470331N
291139R91	IH	415449	291249	ACDEL	417602	29174	CHERY	470088	292118	ACDEL	471193N
291139R91	IH	455147	291250	ACDEL	416888	29177	ACDEL	6864S	292119	ACDEL	471707N
291140	ACDEL	415857	291251	ACDEL	416394	29178	ACDEL	6872S	292120	ACDEL	472747
291141	ACDEL	455858	291252	ACDEL	417516	29181	ACDEL	9568	292121	ACDEL	475003N
291143	ACDEL	340356	291253	ACDEL	417238	29182	UNIVE	450038	292122	ACDEL	475012N
291145	ACDEL	416239	291254	ACDEL	455584	29183	MICH	450038	292123	ACDEL	475322N
291147	ACDEL	470059	291256	ACDEL	417495	291832	BR-ST	471646	292124	ACDEL	475368N
291148	ACDEL	482253	291257	ACDEL	415394	291832R1	IH	417602	292125	ACDEL	415960
291149	ACDEL	473235	291258	ACDEL	455536	291841	BR-ST	471267	292126	ACDEL	477069
29115	ACDEL	2689S	291259	ACDEL	416070	291851R91	IH	416476	292127	ACDEL	471272
291150	ACDEL	451948	291261	ACDEL	416288	291851R91	IH	455075	292129	ACDEL	225230
291151	ACDEL	411500	291263	ACDEL	417159	291852R91	IH	416476	292131	ACDEL	5126
291152	ACDEL	450444	291264	ACDEL	416288	291852R91	IH	455075	292132	ACDEL	473274N
291153	ACDEL	470487N	291265	ACDEL	416239	29188	C-R	35949N	292136	ACDEL	5M643
291154	ACDEL	471862	291266	ACDEL	417596	29188	SKF	35949N	292138	ACDEL	472258
291155	ACDEL	451182	291267	ACDEL	417238	29189	ACDEL	7687S	29214	ACDEL	5857
291157	ACDEL	416892	291268	ACDEL	455584	2919	ACDEL	1960	292144R91	IH	450154
291158	ACDEL	415058	291269	ACDEL	417267	29191	ACDEL	7886S	292144R91	IH	473234
291159	ACDEL	415060	29127	ACDEL	5408	29193	ACDEL	8133S	292151	ACDEL	223542
291161	ACDEL	415064	291270	ACDEL	416024	29194	ACDEL	51098	292152	ACDEL	1173
291162	ACDEL	415437	291271	ACDEL	415394	29195	ACDEL	8429S	292153	ACDEL	1176
291163	ACDEL	417267	291272	ACDEL	473238	29196	ACDEL	8477S	292154	ACDEL	1177
291164	ACDEL	417481	291273	ACDEL	410987	29197	ACDEL	8549S	292155	ACDEL	224520

INTERCHANGE SECTION

COMPETITIVE INTERCHANGES



Mfr No.	Mfr. National	Mfr No.	Mfr. National	Mfr No.	Mfr. National	Mfr No.	Mfr. National
292165	ACDEL 470487N	29250	ACDEL 9316	29291	ACDEL 453165	293201	ACDEL 481181N
292167	ACDEL 471847N	29251	ACDEL 470308N	29292	ACDEL 410190	293304	ACDEL 473214
2921OS	JN-MN 470074	29252	ACDEL 475009N	29293	ACDEL 450317	293333	ACDEL 6712NA
2921OS	JN-MN 474265	29253	ACDEL 416921	29294	ACDEL 474255	29351	ACDEL 7412S
29221	ACDEL 6612S	29254	ACDEL 475012N	292949C91	IH 415995V	29365	ACDEL 8792S
292214	ACDEL 55301S	292543R91	IH 450301	292949C91	IH 455995N	29370	ACDEL 9449
292216	ACDEL 415371	292543R91	IH 472397	29295	ACDEL 470358	29372	ACDEL 9613S
292217	ACDEL 415001	29256	ACDEL 35949N	29296	ACDEL 470403	293400	ELRNG 710758
292218	ACDEL 455479	29258	ACDEL 40286	29297	ACDEL 471138	29307A	HYST 410987
29222	ACDEL 6649	29259	ACDEL 40337S	29298	ACDEL 450456	29307A	HYST 450103
292223	ACDEL 410496	2926	ACDEL 224045	29299	ACDEL 450686	29308	HYST 410987
292225	ACDEL 416294	2926	HWY 470163	292E765145	LUF 415551	29310	ACDEL 2655
292226	ACDEL 416706	2926	HWY 471766	292E920110	LUF 471647	29310	NOK 223540
292227	ACDEL 450467	29260	ACDEL 40438S	292E920140	LUF 410163	293100	ACDEL 331228H
292228	ACDEL 416163	29260	C-R 417159	292E920140	LUF 471766	293101	ACDEL 340797
292229	ACDEL 455260	29260	SKF 417159	292E920151	LUF 472826	293103	ACDEL 350567
29223	C-R 416956	292606	ACF 475012N	292E920330	LUF 417316	293104	ACDEL 350823
29223	SKF 416956	29261	ACDEL 41787S	292E920330	LUF 455004	293105	ACDEL 350909
292230	ACDEL 455290	29262	C-R 417159V	292E920350	LUF 416654	293106	ACDEL 473228
292231	ACDEL 415350	29262	SKF 417159V	292E920350	LUF 455012	293107	ACDEL 470334
292232	ACDEL 417537	29263	ACDEL 410737	292E920400	LUF 476470	293108	ACDEL 473234
292234	ACDEL 455434	29264	JN SON 450519	292E920860	LUF 415551	293109	ACDEL 471649
292235	ACDEL 417497	29264	JN SON 471271	292E920960	LUF 415128	29311	ACDEL 5200
292236	ACDEL 417551	29264	NOK 223553	292N920280	LUF 413247	293110	ACDEL 470712
292237	ACDEL 416047	29265	ACDEL 484054	292N920280	LUF 450350	293111	ACDEL 410308
292239	ACDEL 472636	29266	ACDEL 55028	292SP10731	LUF 415449	293112	ACDEL 410316
29224	ACDEL 6808N	29268	ACDEL 410101N	292SP10731	LUF 455147	293113	ACDEL 472164
29224	C-R 416956	29269	ACDEL 472179	292SP10734	LUF 417487	293114	ACDEL 473231
29224	SKF 416956	29270	ACDEL 410183N	292SP10734	LUF 455014	293115	ACDEL 470898
292240	ACDEL 472924	29271	ACDEL 410686N	292SP10735	LUF 417357	293116	ACDEL 473227
292241	ACDEL 415371	292719R91	IH 475003N	292SP10735	LUF 455192	293117	ACDEL 471341
292242	ACDEL 417551	29272	ACDEL 410737	292SP10736	LUF 417316	293118	ACDEL 410520
292243	ACDEL 416047	292720R91	IH 412119	292SP10736	LUF 455004	293119	ACDEL 471829
292244	ACDEL 415350	292720R91	IH 450101	292SP10737	LUF 417196	29312	ACDEL 5201
29225	ACDEL 6818	29273	C-R 35949N	292SP10748	LUF 416273	293120	ACDEL 471344
29227	ACDEL 6930	29273	C-R 4563V	292SP10759	LUF 415281N	293121	ACDEL 415004
29228	ACDEL 7044NA	29273	SKF 35949N	292SP10789	LUF 415147	293122	ACDEL 415013
29229	ACDEL 5126	29273	SKF 4563V	292SP10789	LUF 415449	293123	ACDEL 415013N
2922OS	JN-MN 473224	29274	ACDEL 417344	292SP10791	LUF 415995	293124	ACDEL 476470
2923	ACDEL 224015	29275	ACDEL 415960	292SP10791	LUF 455013	293125	ACDEL 415991
29230	ACDEL 7216	29276	ACDEL 416921	292SP10795	LUF 415072	293126	ACDEL 415281N
29231	ACDEL 8516N	29277	ACDEL 415036	292SP10796	LUF 416865	293127	ACDEL 415437
29234	ACDEL 7457N	29277	C-R 416500	292SP10796	LUF 455070	293128	ACDEL 415983N
29239	ACDEL 8181NA	29277	SKF 416500	292SP10797	LUF 470548	293129	ACDEL 415991
2924	ACDEL 224045	29278	ACDEL 417487	292SP10797	LUF 470625	29313	ACDEL 5202
29241	ACDEL 8293S	29279	ACDEL 416444	292SP10798	LUF 415991	293130	ACDEL 473225
29243	ACDEL 8515N	29280	ACDEL 416271	292SP10798	LUF 455146	293131	ACDEL 6241S
292439R91	IH 417020	292807C91	IH 713750	292SP10816	LUF 450316	293132	ACDEL 471820
29244	ACDEL 8516N	29281	ACDEL 418028	292SP10816	LUF 472636	293133	ACDEL 471869
292446R91	IH 416107	29282	ACDEL 415147	292SP65130	LUF 416556	293134	ACDEL 473226
292446R91	IH 455073	29283	ACDEL 416404	292SP65130	LUF 472157	293135	ACDEL 473447
292447R91	IH 416107	29284	ACDEL 415379	292SP75906	LUF 455018	293137	ACDEL 471763
292447R91	IH 455073	29285	ACDEL 473215	292SP75906	LUF 476470	293138	ACDEL 450161
292448R91	IH 416107	29286	ACDEL 450076	292SP76127	LUF 473243	293139	ACDEL 471765
292448R91	IH 455073	2928694	GMC 370024A	292SP76371	LUF 450067	29314	ACDEL 5203
292472	BR-ST 470328	2928694	GMC 6864S	292SP76371	LUF 473228	293140	ACDEL 470163
292472	BR-ST 481213	29287	ACDEL 473464	292SP76685	LUF 415086N	293141	ACDEL 471801
292473	BR-ST 470120	29288	ACDEL 410102	292SP76685	LUF 417487	293142	ACDEL 473016
292473	BR-ST 471224	29289	ACDEL 450103	292SP76700	LUF 416888	293143	ACDEL 450183
29249	ACDEL 3604	29290	ACDEL 450143	292SP767000	LUF 416888	293144	ACDEL 471571

INTERCHANGE SECTION

COMPETITIVE INTERCHANGES

Mfr No.	Mfr.	National	Mfr No.	Mfr.	National	Mfr No.	Mfr.	National	Mfr No.	Mfr.	National
293145	ACDEL	450185	293199	ACDEL	480479H	293300	ACDEL	417343	29386	ACDEL	473463
293145	ACDEL	473229	293200	ACDEL	480954	293301	ACDEL	471419	29387	ACDEL	50266
293146	ACDEL	450194	293202	ACDEL	482163N	293302	ACDEL	471801	29387	NOK	710112
293147	ACDEL	470219	293203	ACDEL	471652	293303	ACDEL	415483	29388	ACDEL	470506
293148	ACDEL	470590	293204	ACDEL	415483	293305	ACDEL	471424	2938D	GOODM	415937
293149	ACDEL	473211	293205	ACDEL	223840	293306	ACDEL	473212	29391	ACDEL	471419
293150	ACDEL	470682	293207	ACDEL	2506	293307	ACDEL	410059	29392	ACDEL	472287
293151	ACDEL	450298	293208	ACDEL	2658V	29331	US-EL	474255	29393	ACDEL	240009
293151	ACDEL	473239	293210	ACDEL	6847S	29332	ACDEL	471829	29394	ACDEL	240698
293152	ACDEL	472394	293211	ACDEL	8421S	29334	ACDEL	6835S	29394PTB	TRSCM	35949N
293153	ACDEL	472012	293212	ACDEL	5MR1300	29335	ACDEL	6847S	29394PTB	TRSCM	476500N
293155	ACDEL	473457	293214	ACDEL	473010	293353R91	IH	415483	29395	ACDEL	240816
293156	ACDEL	450308	29322	ACDEL	5201	293353R91	IH	455368	29396	ACDEL	311189
293157	ACDEL	410312N	29322	C-R	475012N	29336	ACDEL	8160S	29397	ACDEL	330663
293158	ACDEL	410312N	29322	SKF	475012N	29337	ACDEL	6879H	29398	ACDEL	331107N
293159	ACDEL	450313	29323	ACDEL	5200	29339	ACDEL	6988H	29399	ACDEL	331227H
29316	C-R	416654	293230	ACDEL	223240	2934	ACDEL	3771	29400	C-R	370211A
29316	SKF	416654	293238	ACDEL	9599S	29341	ACDEL	410059	29400	SKF	370211A
293160	ACDEL	473243	293239	ACDEL	3116N	29342	ACDEL	9613S	29404PTB	TRSCM	475012N
293161	ACDEL	473245	293246	ACDEL	473228	29343	ACDEL	7038SA	29404TA	TRSCM	455012
293162	ACDEL	450316	293249	ACDEL	8609	29344	ACDEL	330663	29408011	GARLK	471645
293163	ACDEL	450329	293250	ACDEL	473234	29346	ACDEL	7188S	2940D	GOODM	55028
293164	ACDEL	471883	293251	ACDEL	471801	29347	ACDEL	471344	29410	ACDEL	7840S
293165	ACDEL	450365	293252	ACDEL	472179	29348	ACDEL	7300S	29411	ACDEL	8773S
293166	ACDEL	471652	293253	ACDEL	472164	29350	ACDEL	7399S	29412	ACDEL	8059S
293167	ACDEL	450452	293255	ACDEL	415988	29350	C-R	416654	29413	ACDEL	8773S
293168	ACDEL	473445	293257	ACDEL	473214	29353	ACDEL	7495S	29413TA	TRSCM	417486
293169	ACDEL	450494	293258	ACDEL	473468	29355	ACDEL	342805	29414	ACDEL	40101S
29317	ACDEL	5206	29326	ACDEL	5872S	29357	ACDEL	473473	29415	ACDEL	471571
29317	C-R	416654	293261	ACDEL	480479H	29358	ACDEL	7692S	29416	ACDEL	240319
29317	C-R	475012N	293265	ACDEL	472258	29360	ACDEL	7751H	294160	BR-ST	470027
29317	SKF	416654	293266	ACDEL	471413	29362	ACDEL	7929S	294160	BR-ST	471554
29317	SKF	475012N	293267	ACDEL	471413	29363	ACDEL	7937N	294167	BR-ST	471270
293170	ACDEL	450519	293268	ACDEL	6565N	29364	ACDEL	8160S	29417	ACDEL	40401
293171	ACDEL	472258	293269	ACDEL	473460	29367	ACDEL	8935S	29418	ACDEL	40433S
293172	ACDEL	470565	29327	ACDEL	5976S	29367	BR-ST	471567	29419	ACDEL	50151S
293173	ACDEL	413248	293273	ACDEL	480491	29368	BR-ST	450593	2942	ACDEL	1049
293174	ACDEL	450737	293274	ACDEL	50528	29369	ACDEL	9376	2942	TIMKE	2942
293175	ACDEL	450867	293277	ACDEL	343185	2937	ACDEL	2443	29420	ACDEL	480356
293178	ACDEL	451143	293280	ACDEL	472636	29371	ACDEL	9487	29421	ACDEL	352541
293179	ACDEL	451147H	293281	ACDEL	415991	29373	ACDEL	410059	29422	ACDEL	350414
293181	ACDEL	415988	293282	ACDEL	417191	29375	ACDEL	8160S	29423	ACDEL	323138
293182	ACDEL	416047	293283	ACDEL	417344	29376	ACDEL	471829	29424	ACDEL	415836
293183	ACDEL	415379	293284	ACDEL	473412	29377	ACDEL	415991	29425	ACDEL	240151
293184	ACDEL	455322	293285	ACDEL	450311	29378	ACDEL	415991	29425	C-R	370247A
293185	ACDEL	455322N	293286	ACDEL	450362	29379	ACDEL	417352	29425	SKF	370247A
293186	ACDEL	415483	293288	ACDEL	450415	2937D	GOODM	416047	29426	ACDEL	240356
2931862	CHRYS	5126	293289	ACDEL	450604	2937D	GOODM	416332	29427	ACDEL	6703S
2931875	CHRYS	8835S	29329	ACDEL	6200	2938	ACDEL	2503N	29428	ACDEL	240414
293188	ACDEL	470380	293290	ACDEL	450911N	29380	ACDEL	415991	29429	ACDEL	240731
293189	ACDEL	472185	293291	ACDEL	416047	29381	ACDEL	472394	29430	ACDEL	240733
293190	ACDEL	472705	293292	ACDEL	472164	29382	EATON	370023A	29431	ACDEL	240735
293191	ACDEL	471827	293293	ACDEL	473212	29382	EATON	380023A	29432	ACDEL	240736
293192	ACDEL	470687	293294	ACDEL	470680	29382	EATON	456618	29433	ACDEL	350954
293193	ACDEL	470898	293295	ACDEL	471268N	29383	ACDEL	40027S	29434	ACDEL	340151
293194	ACDEL	471554	293296	ACDEL	470530	29383	C-R	415012V	29435	ACDEL	340413
293195	ACDEL	471341	293297	ACDEL	472185	29383	SKF	415012V	29435	NOK	1147
293196	ACDEL	472189A	293298	ACDEL	410101N	29385	ACDEL	340771	29436	ACDEL	340495
293197	ACDEL	470898	293299	ACDEL	471424	29385	C-R	417486	29436	NOK	1146
293198	ACDEL	471424	2933	ACDEL	1167	29385	SKF	417486	29437	ACDEL	340724

INTERCHANGE SECTION

COMPETITIVE INTERCHANGES



Mfr No.	Mfr. National	Mfr No.	Mfr. National	Mfr No.	Mfr. National	Mfr No.	Mfr. National
29437	NOK 1147	29519	C-R 710465	29546682	ACDEL 710623	29618	ACDEL 710521
29438	ACDEL 340787	29519	SKF 710465	29546682	GMC 710623	29619	ACDEL 710555
29438	NOK 1036	2952	ACDEL 3095	29547	ACDEL 481195	29620	ACDEL 5095
29439	ACDEL 471413	29520	ACDEL 2692	2954738	CHRYS 455086	29621	ACDEL 710606
29440	ACDEL 410163	29520	C-R 710087	29548	ACDEL 470351	29625	ACDEL 3945
29441	ACDEL 471689	29520	SKF 710087	29549	ACDEL 3103	2968	ACDEL 5092
29442	ACDEL 471267	29523	ACDEL 9599S	2955	TIMKE 2955	2969	ACDEL 5095
29443	ACDEL 472185	2952467	CHRYS 6808N	2955098	CHRYS 415458	2960381	CHRYS 370033A
29444	ACDEL 471466	29525	ACDEL 472439	2955098	CHRYS 475458	2961	ACDEL 226020
29446	ACDEL 473179	29525	C-R 227530	29551	ACDEL 5M81	2961012	LILIS 473227
29447	ACDEL 470548	29525	SKF 227530	2955635	CHRYS 481181	2961188	CHRYS 9316
29448	ACDEL 473237	29526	C-R 3698	2955635	CHRYS 481181N	2961190	CHRYS 5778
29449	ACDEL 474276	29526	SKF 3698	2955637	CHRYS 450519	29614	ACDEL 5116
2945	ACDEL 351267	29527	ACDEL 42260S	2955637	CHRYS 471271	2961493	CHRYS 9773
2945	ACDEL 471267	29528	ACDEL 476470	29557	ACDEL 472164	2961607	CHRYS 452554N
29454	ACDEL 1037	29528	C-R 127591	29558	ACDEL 224040	2961618	CHRYS 415991
29456	ACDEL 7399S	29528	SKF 127591	2955840	CHRYS 370003A	2961618	CHRYS 415991N
29457	ACDEL 6597S	29529	ACDEL 321460	2955840	CHRYS 380003A	2962	ACDEL 227040
29458	ACDEL 480821	2953	ACDEL 5115	2955842	CHRYS 370023A	29628	JOHND 450298
29459	ACDEL 6597S	29531	ACDEL 473231	2955842	CHRYS 380023A	29628	JOHND 473239
2946	ACDEL 6859S	29531	BR-ST 471354	2955843	CHRYS 370034A	29629	ACDEL 5419
29460	ACDEL 43071S	29532	ACDEL 332062	2955RC	SUL 415711	2963	ACDEL 5026
294606	BR-ST 441130	29533	ACDEL 3945	29563	ACDEL 483246N	29637	ACDEL 5460
29461	ACDEL 471689	29534	ACDEL 350936	29563	C-R 710384	296390C91	IH 370048A
29462	ACDEL 472157	29535	ACDEL 472439	29563	SKF 710384	296390C91	NAVST 370182A
29464	ACDEL 471224	29536	ACDEL 410708	29564	ACDEL 2955	296390C91	NAVST 380048A
29465	ACDEL 415836	29536299	ACDEL 710623	29565	ACDEL 39302	296392C91	IH 370007A
29465	ACDEL 415995	29536299	GMC 710623	29566D	IH 470074	296393C91	IH 370001A
29465	C-R 455356	29536379	GMC 415988	29566D	IH 474265	296393C91	NAVST 380001A
29465	SKF 455356	29537	ACDEL 476470	29567	ACDEL 471271	296394C91	IH 370019A
29466	ACDEL 473179	29537	C-R 227530	29568	ACDEL 411253	296396C92	IH 370019A
2947	ACDEL 351267	29537	SKF 227530	2956OS	JN-MN 415035	2964	ACDEL 5070
2947	ACDEL 471267	29538	ACDEL 472082	2956OS	JN-MN 455035	296409C91	IH 370033A
29471	C-R 712937	29539	ACDEL 450096	2957	ACDEL 6186	296437C91	IH 370021A
29471	SKF 712937	2953962	CHRYS 442380	29570	ACDEL 415938	296438C91	IH 370036A
29472	C-R 370247A	2954	ACDEL 39813	29571	ACDEL 415449	296438C91	IH 370349A
29472	SKF 370247A	29540	ACDEL 470354	29572	ACDEL 417171	296438C91	NAVST 380036A
29475A	C-R 710641	29540	C-R 227540	29573	ACDEL 455006N	296440C91	IH 370003A
29475A	SKF 710641	29540	C-R 227550	29574	ACDEL 480988H	296440C91	NAVST 380003A
294769C91	IH 370004A	29540	SKF 227540	295749R91	IH 473231	296441C91	IH 370030A
2948	ACDEL 7013S	29540	SKF 227550	29575	ACDEL 472185	29646	ACDEL 5072
29480	C-R 370211A	2954010	MOPAR 5778	29576	ACDEL 472492	29647	ACDEL 5591
29480	SKF 370211A	2954018	CHRYS 40769S	29577	ACDEL 475004H	29649	ACDEL 6329S
29485	C-R 710462	29540309	ACDEL 710623	29578	ACDEL 473231	2965	ACDEL 5072
29485	SKF 710462	29540309	GMC 710623	29579	ACDEL 470351	29650	ACDEL 7014S
2949	ACDEL 471652	29541	ACDEL 450400	2958	ACDEL 6460S	296501C91	IH 475003N
295	C-P 450593	2954128	CHRYS 410308	2959	ACDEL 410708	296509C1	IH 475003N
295	C-R 5174	2954128	CHRYS 473468	29590	C-R 200322	29651	ACDEL 40301S
295	SKF 5174	2954147	PEERC 471567	29590	SKF 200322	29652	ACDEL 351487
29524	ACDEL 9845	2954148	PEERC 473227	29601	ACDEL 3945	296543	ACF 416130
29505	C-R 710240	295416	PEERC 415327	29602	ACDEL 100470	29655	ACDEL 335924N
29505	SKF 710240	29542	ACDEL 470543	29603	ACDEL 320259	29656	ACDEL 345035
29510	ACDEL 6636S	29542	C-R 227550	29604	ACDEL 9845	296573	ACF 416070
29513	ACDEL 6759S	29542	SKF 227550	29605	ACDEL 370023A	29658	ACDEL 350974
29514	ACDEL 6936S	29543	ACDEL 482041N	29606	ACDEL 710601	29659	ACDEL 415156N
29515	ACDEL 3103	29544	ACDEL 472082	29607	ACDEL 710613	2965RC	SUL 417211
29516	ACDEL 3103	29545	ACDEL 472341	29608	ACDEL 223800	29660	ACDEL 417158
29517	ACDEL 7486S	29545376	ACDEL 710623	29611	ACDEL 5108	29661	ACDEL 455035N
29518	ACDEL 3095	29545376	GMC 710623	29612	ACDEL 5111S	29662	ACDEL 456865N
29519	ACDEL 7581H	29546	ACDEL 480574H	29615	ACDEL 710891	29663	ACDEL 455251H

INTERCHANGE SECTION

COMPETITIVE INTERCHANGES

Mfr No.	Mfr.	National	Mfr No.	Mfr.	National	Mfr No.	Mfr.	National	Mfr No.	Mfr.	National
29664	ACDEL	455480	29725	ACDEL	204017	297951R91	IH	450084	298158	ACDEL	340823
29665	ACDEL	2218	29726	ACDEL	204020	29799	C-R	4307V	298159	ACDEL	340900
296653	ACF	416130	29727	ACDEL	205015	29799	SKF	4307V	298160	ACDEL	340927
29666	ACDEL	480581	29728	ACDEL	204020	2979957B00	SUZUK	223831	298161	ACDEL	345146
29667H	IH	411253	29728	LEECE	450078	298766	ACDEL	473468	298162	ACDEL	350156
29667H	IH	450099	29728	LEECE	473444	29804	C-R	710601	298162	ACDEL	473096
29672	ACDEL	5108	29729	ACDEL	441319	29804	SKF	710601	298163	ACDEL	350364
29676	C-R	1019	2972981	CHRYS	370001A	29810	ACDEL	471442	298164	ACDEL	350394
29676	SKF	1019	2972981	CHRYS	380001A	298101	ACDEL	472432	298165	ACDEL	350414
296804	ACF	415016N	2972OS	JN-MN	470074	298101	ACDEL	474256	298166	ACDEL	470543
29683	ACDEL	415894	2972OS	JN-MN	474265	298102	ACDEL	472185	298167	ACDEL	471554
296842	HYST	415234	2973	ACDEL	200354	298103	ACDEL	412725	298169	ACDEL	473232
29685	PEERC	415327	29730	ACDEL	442109	298104	ACDEL	55030	29817	ACDEL	6357S
296863R91	IH	470120	29731	ACDEL	470567	298105	ACDEL	416282	298170	ACDEL	410085
296863R91	IH	471224	29732	ACDEL	412861	298106	ACDEL	417563	298171	ACDEL	410085N
29689	ACDEL	327303	29733	ACDEL	40154S	298107	ACDEL	417570	298172	ACDEL	411253
29690	ACDEL	415213N	29734	ACDEL	204008	298110	ACDEL	415867	298173	ACDEL	412119
29692	ACDEL	451583	297346R91	IH	471424	298111	ACDEL	415349	298174	ACDEL	410119
29693	ACDEL	455583N	297347R91	IH	470565	298113	ACDEL	327303	298175	ACDEL	471224
296931R91	IH	415995	2973650	CHRYS	370007A	298114	ACDEL	55419	298176	ACDEL	412920
296931R91	IH	455013	2973680	CHRYS	370007A	298115	ACDEL	415442	298177	ACDEL	470625
29694	ACDEL	455956H	2973863	CHRYS	417267	298116	ACDEL	55469	298178	ACDEL	470954
29695	ACDEL	481644	2973OS	JN-MN	471255	298117	ACDEL	417780	298179	ACDEL	472287
29696	ACDEL	415379	29740892	IVECO	1209	298118	ACDEL	55563	29818	ACDEL	6370N
296D4	WHITE	410519	29742	HYST	471689	298119	ACDEL	415683	298180	ACDEL	471763
296D4	WHITE	471271	29749X	MASSE	450444	298120	ACDEL	410825	298181	ACDEL	472015
297	C-R	5174	29749X	MASSE	471835	298121	ACDEL	200642	298182	ACDEL	471391
297	SKF	5174	2974OS	JN-MN	470682	298122	ACDEL	200110	298183	ACDEL	473243
29700	KELSE	5924	2975	ACDEL	6283S	298123	ACDEL	200322	298184	ACDEL	413247
297000C91	IH	473473	29750X	MASSE	450078	298124	ACDEL	200371	298185	ACDEL	471883
297001C91	IH	473473	29750X	MASSE	473444	298125	ACDEL	200851	298186	ACDEL	410519
29705X	MASSE	450078	297513	BUC-E	455195	298126	ACDEL	203034	298188	ACDEL	471224
29705X	MASSE	473444	297513	BUC-E	472157	298127	ACDEL	204029	298189	ACDEL	471570
29708	NOK	321460	297514	BUC-E	415871	298128	ACDEL	204035	29819	ACDEL	6380
2970OS	JN-MN	450185	297517	BUC-E	416107	298129	ACDEL	205005	29819	NEWPR	710660
2970OS	JN-MN	473229	297517	BUC-E	455073	298130	ACDEL	205017	298190	ACDEL	415894
29710	ACDEL	7781S	2975320	CHRYS	370057A	298131	ACDEL	205035	298191	ACDEL	415003
29710	NOK	710102	2975361	CHRYS	370003A	298132	ACDEL	210945	298192	ACDEL	415027
29711	ACDEL	40494S	2975361	CHRYS	380003A	298133	ACDEL	411376	298193	ACDEL	416125
29712	ACDEL	43089S	297591R91	IH	450084	298134	ACDEL	415449	298194	ACDEL	415035
29713	ACDEL	203003	29759X	MASSE	450065	298136	ACDEL	240023	298195	ACDEL	415138
29714	ACDEL	203003	29760	HYST	415082	298138	ACDEL	240119	298196	ACDEL	416865
29715	ACDEL	203008	29761	CHERY	471192	298139	ACDEL	240319	298197	ACDEL	416011
29716	ACDEL	203012	2976511	CHRYS	370001A	29814	ACDEL	6163S	298198	ACDEL	417181
29716	NOK	710056	2976511	CHRYS	380001A	298140	ACDEL	471267	298199	ACDEL	415725
29717	ACDEL	203013	297661	BUC-E	416125	298141	ACDEL	240462	2982	ACDEL	5727
29718	ACDEL	203016	297667	BUC-E	415645	298142	ACDEL	240716	2982	CALSO	450494
29719	ACDEL	203020	297667	BUC-E	455104	298143	ACDEL	453279	2982	CALSO	472164
2971OS	JN-MN	473226	2976698	CHRYS	370023A	298144	ACDEL	291099	298200	ACDEL	476470
2972	ACDEL	5796	2976698	CHRYS	380023A	298147	ACDEL	340009S	298201	ACDEL	415984
29720	ACDEL	203025	2977	ACDEL	6832S	298148	ACDEL	340120	298202	ACDEL	416664
2972024	CHRYS	370001A	29771X	MASSE	470358	298149	ACDEL	340136	298203	ACDEL	415389
2972024	CHRYS	380001A	29771X	MASSE	473231	29815	ACDEL	452222	298204	ACDEL	415498
29721	ACDEL	203029	2978	ACDEL	6906S	298150	ACDEL	340385	298205	ACDEL	415899N
29722	ACDEL	204002	297824	ACF	450194	298151	ACDEL	351267	298205	ACDEL	416624N
297226R91	IH	472924	297824	ACF	473010	298152	ACDEL	340400	298206	ACDEL	415013N
297227R91	IH	416556	2978604	CHRYS	370057A	298153	ACDEL	340483	298207	ACDEL	440972
297227R91	IH	472157	2979257B01	SUZUK	710329	298155	ACDEL	340771	298208	ACDEL	441130
29723	ACDEL	204008	2979257BG0	SUZUK	710319	298156	ACDEL	340815	298209	ACDEL	441853
29724	ACDEL	204013	29795	NOK	2955	298157	ACDEL	340817	29821	ACDEL	471442

INTERCHANGE SECTION

COMPETITIVE INTERCHANGES



Mfr No.	Mfr. National	Mfr No.	Mfr. National	Mfr No.	Mfr. National	Mfr No.	Mfr. National
298210	ACDEL 442109	298271	ACDEL 450115	298306768	REX 473214	298358	ACDEL 473224
298211	ACDEL 442251	298273	ACDEL 450117	298306968	REX 417349	298359	ACDEL 472319
298213	ACDEL 471530	298274	ACDEL 450118	298307	ACDEL 471646	29836	ACDEL 6703S
298214	ACDEL 471281	298275	ACDEL 471442	298307068	REX 416047	298360	ACDEL 450461
298215	ACDEL 471532	298276	ACDEL 470120	298307068	REX 416332	298361	ACDEL 450463
298216	ACDEL 471472	298277	ACDEL 450121	298308	ACDEL 471647	298362	ACDEL 450472
298217	ACDEL 471535	298278	ACDEL 471735	298308968	REX 415379	298363	ACDEL 450474
298218	ACDEL 473405	298279	ACDEL 472826	298309	ACDEL 471648	298364	ACDEL 471818
29822	ACDEL 483054N	29828	ACDEL 6545	298309468	REX 417603	298365	ACDEL 450489
298221	ACDEL 471558	298280	ACDEL 450132	298310	ACDEL 471651	298366	ACDEL 450492
298222	ACDEL 471255	298281	ACDEL 450133	298311	ACDEL 471698	298367	ACDEL 410520
298223	ACDEL 481073	298282	ACDEL 471192	298312	ACDEL 472951	298368	ACDEL 473423
298224	ACDEL 450025	298283	ACDEL 470548	298313	ACDEL 471688	298369	ACDEL 410524
298225	ACDEL 470027	298284	ACDEL 471529	298314	ACDEL 471689	29837	ACDEL 450185
298226	ACDEL 471567	298285	ACDEL 472234	298315	ACDEL 471705	29837	ACDEL 473229
298228	ACDEL 450030	298286	ACDEL 471413	298316	ACDEL 471733	298371	ACDEL 471744
298229	ACDEL 471570	298288	ACDEL 473460	298317	ACDEL 470712	298372	ACDEL 472150
298231	ACDEL 450039	298289	ACDEL 473205	298318	ACDEL 471744	298373	ACDEL 471224
298232	ACDEL 450040	29829	ACDEL 6575S	298319	ACDEL 471785	298374	ACDEL 471808
298233	ACDEL 450593	298290	ACDEL 472287	29832	ACDEL 6590S	298375	ACDEL 412027
298234	ACDEL 450043	298291	ACDEL 450154	298320	ACDEL 471787	298376	ACDEL 413246
298234	ACDEL 473419	298292	ACDEL 471760	298321	ACDEL 471795	298376	ACDEL 413246N
298235	ACDEL 450044	298293	ACDEL 473424	298322	ACDEL 473439	298377	ACDEL 471498
298236	ACDEL 470045	298294	ACDEL 470169	298323	ACDEL 472070	298378	ACDEL 470390
298237	ACDEL 473426	298295	ACDEL 473421	298324	ACDEL 450269	298379	ACDEL 450621
298238	ACDEL 471750	298296	ACDEL 473435	298325	ACDEL 450273	29838	ACDEL 410496
298239	ACDEL 471354	298297	ACDEL 472674	298326	ACDEL 474274	298380	ACDEL 481073
29824	ACDEL 455566	298298	ACDEL 473236	298327	ACDEL 450291	298381	ACDEL 471570
298240	ACDEL 450054	298299	ACDEL 450188	298328	ACDEL 472144	298382	ACDEL 471737
298241	ACDEL 473438	29830	ACDEL 6584S	298329	ACDEL 450301	298383	ACDEL 471984
298242	ACDEL 470062	298300	ACDEL 470189	298330	ACDEL 473461	298383TA	TRSCM 417159
298243	ACDEL 470064	298301	ACDEL 472705	298331	ACDEL 450307	298384	ACDEL 481397
298244	ACDEL 450065	298302	ACDEL 481443	298332	ACDEL 471391	298385	ACDEL 471466
298245	ACDEL 450066	298302568	REX 415449	298333	ACDEL 473242	298386	ACDEL 473203
298246	ACDEL 450067	298302668	REX 417172	298334	ACDEL 412040	298387	ACDEL 473474
298247	ACDEL 450069	298303	ACDEL 471231	298335	ACDEL 472029	298388	ACDEL 473517
298248	ACDEL 450070	298303068	REX 415082	298336	ACDEL 413478	298389	ACDEL 481792
298249	ACDEL 472439	298303268	REX 470059	298337	ACDEL 470605	29839	ACDEL 417210
298250	ACDEL 481864	298303268	REX 470380	298338	ACDEL 450339	298390	ACDEL 471652
298251	ACDEL 450073	298303468	REX 473473	298339	ACDEL 450341	298391	ACDEL 470774
298252	ACDEL 470074	298303568	REX 410496	29834	ACDEL 350679	298392	ACDEL 472475
298253	ACDEL 470077	298303768	REX 471424	298340	ACDEL 450342	298393	ACDEL 471567
298254	ACDEL 450078	298304	ACDEL 451583	298341	ACDEL 470347	298394	ACDEL 471649
298254	ACDEL 473444	298304568	REX 472179	298342	ACDEL 450350	298395	ACDEL 471413
298255	ACDEL 473446	298304668	REX 417343	298343	ACDEL 470351	298396	ACDEL 451817
298256	ACDEL 450082	298304768	REX 450444	298344	ACDEL 450352	298397	ACDEL 451857
298257	ACDEL 450084	298304768	REX 471835	298345	ACDEL 471538	298398	ACDEL 470334
298258	ACDEL 450085	298304868	REX 417507	298346	ACDEL 473448	298399	ACDEL 452554N
298259	ACDEL 470086	298304868	REX 455513	298347	ACDEL 450361	2984	ACDEL 5865
298260	ACDEL 473313	298304968	REX 416364	298348	ACDEL 450389	29840	ACDEL 6863S
298261	ACDEL 470088	298305	ACDEL 480210	298349	ACDEL 473227	29840	C-R 710028
298262	ACDEL 473458	298305368	REX 450185	29835	ACDEL 6663S	29840	SKF 710028
298263	ACDEL 450094	298305368	REX 473229	298350	ACDEL 471267	298400	ACDEL 417073
298264	ACDEL 413469	298306068	REX 417079	298351	ACDEL 471424	298401	ACDEL 455001
298265	ACDEL 412943	298306168	REX 410085	298352	ACDEL 473442	298402	ACDEL 455003
298266	ACDEL 450099	298306168	REX 470530	298353	ACDEL 450431	298403	ACDEL 455004
298267	ACDEL 410694	298306268	REX 415899N	298354	ACDEL 472299	298404	ACDEL 455005
298268	ACDEL 450101	298306268	REX 416624N	298355	ACDEL 450441	298405	ACDEL 455006
298269	ACDEL 473441	298306368	REX 415146	298356	ACDEL 450446	298406	ACDEL 415007
298270	ACDEL 450111	298306368	REX 415991	298357	ACDEL 471270	298407	ACDEL 455008

INTERCHANGE SECTION

COMPETITIVE INTERCHANGES

Mfr No.	Mfr.	National	Mfr No.	Mfr.	National	Mfr No.	Mfr.	National	Mfr No.	Mfr.	National
298408	ACDEL	455009	298467	ACDEL	415991	298521	ACDEL	415984	29859X	MASSE	417191
298409	ACDEL	455011	298468	ACDEL	455147	298522	ACDEL	417536	29859X	MASSE	455165
298410	ACDEL	455012	298469	ACDEL	417343	298523	ACDEL	455330	2986	ACDEL	5877
298411	ACDEL	455013	29847	ACDEL	7700S	298524	ACDEL	415284	29860	C-R	710828
298412	ACDEL	455014	298470	ACDEL	415150	298526	ACDEL	415379	29860	SKF	710828
298413	ACDEL	416288	298471	ACDEL	455151	298527	ACDEL	416956	298604	ACDEL	2064
298414	ACDEL	456105	298472	ACDEL	417134	298528	ACDEL	415389	298609	ACDEL	240385
298415	ACDEL	455018	298473	ACDEL	417486	298529	ACDEL	455479	298610	ACDEL	240470
298416	ACDEL	455019	298474	ACDEL	455154	29853	ACDEL	9773	298611	ACDEL	413248
298417	ACDEL	415021	298475	ACDEL	416011	298530	ACDEL	415937	298615	ACDEL	3136N
298418	ACDEL	455022	298476	ACDEL	417488	298531	ACDEL	417555	298616	ACDEL	5133
298419	ACDEL	415023	298477	ACDEL	417171	298532	ACDEL	415498	298617	ACDEL	471141
29842	ACDEL	6949S	298478	ACDEL	417181	298534	ACDEL	415551	29862	ACDEL	40370S
298420	ACDEL	455024	298479	ACDEL	415894	298535	ACDEL	455556	29862	C-R	4307V
298421	ACDEL	415025	29848	ACDEL	8126S	298536	ACDEL	455566	29862	C-R	5273
298422	ACDEL	455026	298480	ACDEL	417191	298537	ACDEL	418028	29862	SKF	4307V
298423	ACDEL	415027	298481	ACDEL	417492	298538	ACDEL	455685	29862	SKF	5273
298425	ACDEL	416125	298482	ACDEL	417196	298539	ACDEL	416267	298626	ACDEL	471570
298426	ACDEL	416339	298483	ACDEL	415937	29854	ACDEL	417316	298627	ACDEL	471264
298427	ACDEL	455033	298484	ACDEL	417210	298540	ACDEL	416364	298628	ACDEL	481443
298428	ACDEL	455034	298485	ACDEL	455186	298541	ACDEL	416071	29863	ACDEL	40382
298429	ACDEL	415035	298486	ACDEL	455188	298542	ACDEL	455995N	29863	C-R	100495
29843	ACDEL	7186S	298487	ACDEL	455189	298543	ACDEL	3016	29863	C-R	476023N
298430	ACDEL	415036	298488	ACDEL	417357	298545	ACDEL	417530	29863	SKF	100495
298431	ACDEL	455037	298489	ACDEL	455194	298546	ACDEL	417191	29863	SKF	476023N
298432	ACDEL	416891	29849	ACDEL	8370S	298547	ACDEL	456744N	298632	ACDEL	417608
298433	ACDEL	415045	298490	ACDEL	472157	298548	ACDEL	472439	298636	ACDEL	417316
298434	ACDEL	415138	298491	ACDEL	415196	298549	ACDEL	470625	298637	ACDEL	416865
298435	ACDEL	415066	298492	ACDEL	455197N	298550	ACDEL	470163	29864	ACDEL	40395S
298437	ACDEL	417273	298493	ACDEL	455197N	298551	ACDEL	471341	298640	ACDEL	40162S
298438	ACDEL	455070	298494	ACDEL	415196	298552	ACDEL	472164	298641	ACDEL	471647
298439	ACDEL	417546	298495	ACDEL	455200	298553	ACDEL	471267	298642	ACDEL	40230S
298440	ACDEL	415072	298496	ACDEL	455200N	298554	ACDEL	471466	298644	ACDEL	330385
298441	ACDEL	455073	298497	ACDEL	455203	298555	ACDEL	470954	29865	C-R	100495
298442	ACDEL	455075	298498	ACDEL	416137	298556	ACDEL	471076	29865	C-R	415281N
298443	ACDEL	455079	298499	ACDEL	416154	298557	ACDEL	471652	29865	C-R	417349
298444	ACDEL	416239	2985	ACDEL	455280	298558	ACDEL	471272	29865	SKF	100495
298445	ACDEL	455086	29850	ACDEL	8635S	298559	ACDEL	471571	29865	SKF	415281N
298446	ACDEL	415088	298500	ACDEL	416158	298560	ACDEL	471413	29865	SKF	417349
298447	ACDEL	455091	298501	ACDEL	417247	298561	ACDEL	471737	298652	ACDEL	473414
298448	ACDEL	455093	298502	ACDEL	415219	298562	ACDEL	473238	298653	ACDEL	50081
298449	ACDEL	416271	298503	ACDEL	417538	298563	ACDEL	472397	298654	ACDEL	473471
29845	ACDEL	7354N	298504	ACDEL	415234	298564	ACDEL	472324	298655	ACDEL	350156
298450	ACDEL	455096	298505	ACDEL	415303	298565	ACDEL	475458	298657	ACDEL	50289
298451	ACDEL	415302	298506	ACDEL	415263	298566	ACDEL	471442	298658	ACDEL	50327
298452	ACDEL	455104	298507	ACDEL	456305	298567	ACDEL	480570	29866	ACDEL	40410S
298453	ACDEL	415938	298508	ACDEL	417605	298568	ACDEL	480821	29866	C-R	417349
298454	ACDEL	417556	298509	ACDEL	415725	298569	ACDEL	480844	29866	SKF	417349
298455	ACDEL	416666	298510	ACDEL	455272	298570	ACDEL	471076	298660	ACDEL	470606
298456	ACDEL	417562	298511	ACDEL	417254	298571	ACDEL	471652	298661	ACDEL	471276
298457	ACDEL	416229	298512	ACDEL	455280	298572	ACDEL	473231	298662	ACDEL	412040
298458	ACDEL	455121	298513	ACDEL	416364	298573	ACDEL	470380	298664	ACDEL	457585
298459	ACDEL	417602	298514	ACDEL	455294	298574	ACDEL	472015	298665	ACDEL	417298
298460	ACDEL	415128	298515	ACDEL	415295	298575	ACDEL	482069N	298666	ACDEL	415116
298461	ACDEL	417474	298516	ACDEL	417082	298576	ACDEL	485195H	298667	ACDEL	455406
298462	ACDEL	455134	298517	ACDEL	417601	298577	ACDEL	415196	298668	ACDEL	417498
298463	ACDEL	418028	298518	ACDEL	476470	29858	ACDEL	40169S	298669	ACDEL	415227
298464	ACDEL	415142	298519	ACDEL	455308	298581	ACDEL	5M89	29867	ACDEL	40468
298465	ACDEL	455144	29852	ACDEL	8907	298584	ACDEL	5M293	29867	C-R	100495
298466	ACDEL	417172	298520	ACDEL	455310	298587	ACDEL	5M466	29867	C-R	476023N

INTERCHANGE SECTION

COMPETITIVE INTERCHANGES



Mfr No.	Mfr. National	Mfr No.	Mfr. National	Mfr No.	Mfr. National	Mfr No.	Mfr. National
29867	SKF 100495	29872	SKF 417349	298775	ACDEL 472258	29889	ACDEL 470409
29867	SKF 476023N	298720	ACDEL 417563	298776	ACDEL 45827S	298897	ACF 470064
298671	ACDEL 415027	298721	ACDEL 471137	298778	ACDEL 476023N	298897	ACF 471821
298672	ACDEL 55548	298722	ACDEL 473427	298779	ACDEL 476283N	2989	ACDEL 415437
298675	ACDEL 7208S	298723	ACDEL 473475	29878	ACDEL 470004	29890	ACDEL 353132
298679	ACDEL 417343	298724	ACDEL 473425	298780	ACDEL 417492	29891	ACDEL 450765
29868	ACDEL 40520S	298725	ACDEL 450430	298781	ACDEL 476574N	29891	C-R 455479V
29868	C-R 3698	298726	ACDEL 450482	298782	ACDEL 417316	29891	SKF 455479V
29868	C-R 417349V	298727	ACDEL 450516	298783	ACDEL 473473	298914	ACF 450316
29868	SKF 3698	298728	ACDEL 450539	298784	ACDEL 417211	298914	ACF 472636
29868	SKF 417349V	298729	ACDEL 450639	298785	ACDEL 471633	29892	ACDEL 350435
298680	ACDEL 415894	298730	ACDEL 450765	298786	ACDEL 415867	29893	ACDEL 50468
298681	ACDEL 415725	298731	ACDEL 471633	298787	ACDEL 417608	29895	ACDEL 471344
298683	ACDEL 240435	298732	ACDEL 450803	298788	ACDEL 473471	29896	ACDEL 471887
298684	ACDEL 410085	298733	ACDEL 470806	298789	ACDEL 470328	29897	ACDEL 471276
298685	ACDEL 415836	298734	ACDEL 450819	29879	ACDEL 473415	298970	ACF 417267
298687	ACDEL 417211	298735	ACDEL 450869	298790	ACDEL 455406	29898	ACDEL 470954
298688	ACDEL 415437	298736	ACDEL 471958	298791	ACDEL 411376	29899	ACDEL 480889
298689	ACDEL 415894	298737	ACDEL 471689	298792	ACDEL 415725	29899	C-R 453182
29869	ACDEL 40555S	298738	ACDEL 451469	298793	ACDEL 453279	29899	SKF 453182
29869	NEWPR 710692	298739	ACDEL 473016	298794	ACDEL 470605	29910	ACDEL 370009A
298690	ACDEL 340469	29874	ACDEL 41013S	298795	ACDEL 470074	29910	ACDEL 380009A
298692	ACDEL 473424	298740	ACDEL 417520	298796	ACDEL 473442	29911	ACDEL 370010A
298693	ACDEL 471750	298741	ACDEL 415047	298797	ACDEL 451469	29912	ACDEL 370011A
298694	ACDEL 473215	298742	ACDEL 415090	298798	ACDEL 417134	29913	ACDEL 370012A
298695	ACDEL 473464	298743	ACDEL 417602	298799	ACDEL 417354	29914	ACDEL 370014A
298696	ACDEL 471192	298744	ACDEL 417604	2988	ACDEL 5965	29915	ACDEL 370015A
298697	ACDEL 473466	298746	ACDEL 417354	29880	ACDEL 50197S	29916	ACDEL 370018A
298698	ACDEL 470605	298747	ACDEL 415187	298800	ACDEL 417549	29917	ACDEL 370019A
298699	ACDEL 473448	298748	ACDEL 455191	298801	ACDEL 417555	29918	ACDEL 370020A
2987	ACDEL 51098	298749	ACDEL 417600	298802	ACDEL 470565	29919	ACDEL 370021A
29870	ACDEL 40568S	29875	ACDEL 45525S	298803	ACDEL 416125	2992	ACDEL 370001A
29870	C-R 100495	298750	ACDEL 417278	298805	ACDEL 471760	2992	ACDEL 380001A
29870	C-R 3698	298751	ACDEL 417494	298806	ACDEL 473424	29920	ACDEL 370022A
29870	NEWPR 710693	298752	ACDEL 417549	298807	ACDEL 471647	29920	ACDEL 380022A
29870	SKF 100495	298753	ACDEL 415449	298808	ACDEL 472951	29921	ACDEL 370023A
29870	SKF 3698	298754	ACDEL 455499	298809	ACDEL 471567	29921	ACDEL 380023A
298700	ACDEL 410752	298754	VICK 330385	298810	ACDEL 415045	29922	ACDEL 370024A
298701	ACDEL 412119	298755	ACDEL 455820	298811	ACDEL 415295	29923	ACDEL 370025A
298702	ACDEL 415001	298757	ACDEL 471526	298812	ACDEL 417278	29923	ACDEL 380025A
298703	ACDEL 415016N	298758	ACDEL 471554	298813	ACDEL 415937	29923	ACDEL 386025A
298704	ACDEL 415023	298759	ACDEL 473213	298814	ACDEL 417355	29924	ACDEL 370026A
298705	ACDEL 415098N	29876	ACDEL 45637S	298815	ACDEL 410825	29925	ACDEL 370027A
298706	ACDEL 415147N	29876	C-R 1019	298816	ACDEL 417316	29926	ACDEL 370028A
298707	ACDEL 417343	29876	SKF 1019	298817	ACDEL 471652	29927	ACDEL 370029A
298709	ACDEL 415379	298760	ACDEL 473215	298818	ACDEL 471526	29928	ACDEL 370030A
29871	C-R 417349	298762	ACDEL 417355	298819	ACDEL 471554	29929	ACDEL 370031A
29871	SKF 417349	298764	ACDEL 472409	29882	ACDEL 6863S	29929	ACDEL 380031A
298710	ACDEL 417357	298765	ACDEL 471765	298820	ACDEL 473213	2993	ACDEL 370002A
298711	ACDEL 415192N	298767	ACDEL 471264	298821	ACDEL 473242	29930	ACDEL 370033A
298712	ACDEL 417247	298768	ACDEL 471267	298822	ACDEL 417210	29931	ACDEL 370034A
298713	ACDEL 415563	298769	ACDEL 473237	298823	ACDEL 40395	29932	ACDEL 370036A
298714	ACDEL 415960	29877	ACDEL 45825S	298824	ACDEL 416865	29932	ACDEL 370349A
298715	ACDEL 416071	29877	C-R 455479V	298825	ACDEL 415227	29932	ACDEL 380036A
298716	ACDEL 416229	29877	SKF 455479V	29883	ACDEL 481163	29933	ACDEL 370037A
298717	ACDEL 416891	298770	ACDEL 471649	29884	ACDEL 470328	29933	ACDEL 370211A
298718	ACDEL 416921	298771	ACDEL 471765	29885	ACDEL 350364	29933	ACDEL 370338A
298719	ACDEL 417493	298772	ACDEL 471835	29887	C-R 417350	29934	ACDEL 370043A
29872	ACDEL 40652S	298773	ACDEL 471869	29887	SKF 417350	29935	ACDEL 370046A
29872	C-R 417349	298774	ACDEL 472150	29888	ACDEL 50395S	29936	ACDEL 370047A

INTERCHANGE SECTION

COMPETITIVE INTERCHANGES

Mfr No.	Mfr.	National	Mfr No.	Mfr.	National	Mfr No.	Mfr.	National	Mfr No.	Mfr.	National
29937	ACDEL	370048A	2992K	CLARK	470530	29X49219	GWJ	471141	2C108	NOVO	472826
29937	ACDEL	370182A	29931	JOHND	470169	29X50096V	GWJ	471466	2C241190AA	FORD	710640
29937	ACDEL	380048A	29931	JOHND	473214	29X60497	GWJ	50468	2C2Z1175AA	FORD	710640
29938	ACDEL	370054A	29940	GARLK	411330N	29X60725V	GWJ	472439	2C2Z1175AB	FORD	710640
29939	ACDEL	370057A	299400133	GARLK	5124	29X60725V	KEN	472439	2C343254CA	FORD	710493
2994	ACDEL	370003A	299400300	GARLK	5121	29X60777	ALLCH	450094	2C343N267AA	FORD	710492
2994	ACDEL	380003A	299400412	GARLK	710005	29X60777	ALLCH	473462	2C3W1177AA	FORD	370247A
29940	ACDEL	370065A	299400415	GARLK	710005	29X60777	GWJ	450094	2C3Z1S177AA	FORD	370247A
29940	ACDEL	380065A	299400445	GARLK	3173	29X60777	GWJ	473462	2C3Z3254AA	FORD	710492
29941	ACDEL	370066A	299400453	GARLK	710046	29X60777	IH	450094	2C3Z1177AA	FORD	370247A
29942	ACDEL	370069A	299400458	GARLK	8312	29X60777	IH	473462	2C3Z1177AB	FORD	370247A
29942	ACDEL	380065A	299400503	PREC	710091	29X60777	MACK	450094	2C67	WHITE	471466
29942	ACDEL	380069A	299404177	GARLK	9449	29X60777	MACK	473462	2C67P	NATSU	471466
29943	ACDEL	370106A	299404415	GARLK	710005	29X60981	GWJ	417486	2D0498625	VW	710467
29944	ACDEL	370107A	299404445	GARLK	3173	2A134	CATER	415066	2D0501317A	AUDI	710468
29945	ACDEL	370036A	299404453	GARLK	710046	2A1614	CATER	416738	2D0501317A	VW	710468
29945	ACDEL	370037A	299408055	GARLK	411330N	2A1614	CATER	450096	2D1157	CATER	415137
29945	ACDEL	370338A	299408056	GARLK	477069	2A1983	CATER	415458	2D1157	CATER	418028
29946	ACDEL	370031A	299404435	GARLK	3946	2A1983	CATER	455003	2D1521	CATER	471571
29946	ACDEL	370036A	2994984	CHRYL	8460N	2A3688	CATER	450095	2D17341	GMC	50327
29946	ACDEL	370349A	29950	C-R	455995N	2A3688	CATER	473464	2D186	WHITE	450076
29946	ACDEL	380031A	29950	SKF	455995N	2A3688	WESTR	450095	2D186	WHITE	470334
29946	ACDEL	380036A	29951	C-R	415836	2A3688	WESTR	473464	2D191	WHITE	417073
29948	ACDEL	376590A	29951	C-R	455013	2A4262	CATER	470077	2D2930	CATER	473210
29949	ACDEL	370063A	29951	SKF	415836	2A4262	CATER	474281	2D300	WHITE	413469
2995	ACDEL	370004A	29951	SKF	455013	2A4547	CATER	450535	2D5652	CATER	472397
29950	ACDEL	370086A	29952	C-R	415836	2A4547	CATER	471264	2D599	CATER	471688
29951	ACDEL	370094A	29952	SKF	415836	2A4575	CATER	473446	2D61	WHITE	473458
29952	ACDEL	370121A	299539	BR-ST	471733	2A5113	CATER	471570	2D639	WHITE	413469
29953	ACDEL	370124A	29958	C-R	415995V	2A5215	CATER	473225	2D640	WHITE	450094
2996	ACDEL	370005A	29958	SKF	415995V	2A5285	CATER	471530	2D640	WHITE	473462
2997	ACDEL	370006A	299594	ACF	481644	2A6475	MERIX	417316	2D757	WHITE	450094
2998	ACDEL	370007A	299609	BR-ST	472475	2A6475	ROCKW	417316	2D757	WHITE	473462
2999	ACDEL	370008A	29961	C-R	710457	2B1869	CATER	470950	2D8540	CATER	415035
29906	C-R	415995	29961	SKF	710457	2B2589	CATER	417073	2D8540	CATER	415953
29906	SKF	415995	29967	C-R	415013N	2B3544	CATER	416738	2D9870	CATER	471733
29907	C-R	415995	29967	SKF	415013N	2B3544	CATER	450096	2E392520227	IH	471567
29907	SKF	415995	29968	C-R	45013S	2B3883	CATER	415263	2E3925207	IH	416654
29912	C-R	415995V	29968	SKF	45013S	2B40	WHITE	415458	2E3925207	IH	455012
29912	SKF	415995V	2997180050	SUZUK	223843	2B40	WHITE	455003	2EP40M317343	CINMI	410496
299128	FAIRB	450084	2997180050000	SUZUK	223843	2B50	CATER	471570	2F1P1177AB	FORD	3622
299130	GR-DV	473460	2997180051	SUZUK	223843	2B6005	CATER	415995	2F1P7F401AA	FORD	4189H
299130	JA-MI	473460	2997183050	SUZUK	223843	2B6005	CATER	455013	2F1Z1177AA	FORD	3622
299130	JAE	473460	2997183050000	SUZUK	223843	2B6005	WESTR	415995	2F1Z1177AB	FORD	3622
29915	ALLCH	417316	299713	BUC-E	455195	2B6005	WESTR	455013	2F1Z7F401AA	FORD	4189H
29915	ALLCH	455004	299713	BUC-E	472157	2B6040	CATER	470045	2F3723	CATER	471103
29917	C-R	100263	2997180051000	SUZUK	223843	2B6040	CATER	476838	2F3723	CATER	50197S
29917	SKF	100263	2997280050	SUZUK	223802	2B6040	WESTR	470045	2F5885	CATER	415085
29918	C-R	710676	299747R91	IH	450084	2B6040	WESTR	476838	2F5885	CATER	456648
29918	SKF	710676	2998	ALLCH	471689	2B6083	STERL	415023	2F6678	CATER	471231
2992	FAIRB	450085	2998	TRAC	471689	2B6209	STERL	412119	2F6781	CATER	350435
2992	FAIRB	470530	299804465	GARLK	3459	2B6209	STERL	450101	2F6782	CATER	472705
2992	GR-DV	450085	299808038	GARLK	450400	2B6514	STERL	475012N	2F687	MTR-C	J1128
2992	GR-DV	470530	299808062	GARLK	415284	2B6689	STERL	470358	2F7426	CATER	471281
29925	C-R	415836N	29987	C-R	3698	2B6689	STERL	473231	2F8200	CATER	472185
29925	C-R	415995V	29987	SKF	3698	2B6776	STERL	475012N	2F9560	MURRA	415991
29925	SKF	415836N	299900480	GARLK	710162	2B6780	STERL	475012N	2F9560	MURRA	455146
29925	SKF	415995V	299978	ACF	340151	2B8836	CATER	455018	2F9560	NATEN	415991
2992723	CHRYL	44053	29B7159	FORD	472015	2B8836	CATER	476470	2F9560	NATEN	455146
2992K	CLARK	450085	29QJ2931J	MACK	370021A	2BL01268	WHITE	45637S	2F9760	CATER	471762

INTERCHANGE SECTION

COMPETITIVE INTERCHANGES



Mfr No.	Mfr.	National	Mfr No.	Mfr.	National	Mfr No.	Mfr.	National	Mfr No.	Mfr.	National
2FB138	WHITE	411500	2JA5	STERL	412943	2R759	CATER	470895	3Y569	KEN	450121
2FT90	OSHKO	415991	2JG12	KEN	470059	2R8Z4B416AA	FORD	710895	3Y569	KEN	472409
2H1663	CATER	471785	2JG12	KEN	470380	2S94B1566	BORGW	351267	300	UNIVE	417487
2H1746	CATER	40140S	2JG39	KEN	475012N	2S94B1566	BORGW	471267	300	UNIVE	455014
2H2212	CATER	330385	2JG41	KEN	417484N	2S1076	CATER	450316	3004631	SPICE	711552
2H3823	CATER	450094	2JG41	KEN	475322N	2S1076	CATER	472636	30000	C-R	417351
2H3823	CATER	473462	2K1382	CATER	456890	2S2077	CATER	471195	30000	SKF	417351
2H3823	TRACN	450094	2K1382	TRACN	456890	2S2077	CATER	481195	300004	CURTS	471224
2H3823	TRACN	473462	2K1383	CATER	417254	2S2376	CATER	470351	300007	H-S	450593
2H3824	CATER	415001	2K1383	TRACN	417254	2S2376	CATER	471504	300064	CATER	J1141
2H3824	CATER	455001	2K1384	TRACN	416865	2S2680	CATER	415013	300064	TMTR	J1141
2H3830	CATER	450291	2K3881	CATER	470567	2S2680	CATER	415995	300066	CATER	473232
2H3830	CATER	471141	2K3881	CATER	471267	2S6Q6701AA	FORD	710849	300066	TMTR	473232
2H3830	TRACN	450291	2K4816	CATER	471529	2SB155	WHITE	450067	300067	CATER	473224
2H3830	TRACN	471141	2K6983	CATER	450307	2SB155	WHITE	473228	30006767	GMC	1188
2H3843	CATER	470898	2K8047	CATER	416921	2SB415	WHITE	415001	30007	C-R	100495
2H3843	TRACN	450365	2K8047	CATER	455011	2SB415	WHITE	455001	30007	SKF	100495
2H3843	TRACN	470898	2K9059	CATER	416476	2SD46	WHITE	481864	3000770	HYST	473237
2H3844	CATER	473227	2K9059	CATER	455075	2SD62	WHITE	450083	300078	O-M	481443
2H3846	CATER	455195	2K9150	CATER	417316	2SD62	WHITE	472924	300079	CURTS	472179
2H3846	CATER	472157	2L1016	HU-WR	417546	2SPC22A	NOVO	471689	30008	C-R	100495
2H3846	TRACN	455195	2L1047	HU-WR	417357	2T0340	JNSON	J1105	30008	SKF	100495
2H3846	TRACN	472157	2L1047	HU-WR	455192	2T340	CATER	J1105	30008139	ALLCH	45013S
2H3847	CATER	413247	2L1392	HU-WR	417357	2UU069	WHITE	6460S	300087	CURTS	472258
2H3847	CATER	450350	2L147B215CA	FORD	4503N	2UU0962	WHITE	6460S	30009	C-R	100263
2H3847	TRACN	413247	2L147B215AA	FORD	4503N	2UU0621	WHITE	471689	30009	SKF	100263
2H3847	TRACN	450350	2L1W3B112AA	FORD	710754	2UUA0962	WHITE	471192	3000975	CUMMI	39719
2H3848	CATER	415234	2L1W3N134AA	FORD	3604	2UUV0962	WHITE	6460S	3000976	CUMMI	50569
2H3848	TRACN	415234	2L1Z3C084AA	FORD	710754	2UUV0662	WHITE	471689	3000977	CUMMI	39705
2H3849	CATER	415379	2L1Z3N134AA	FORD	3604	2W1733	CATER	39887	300111	C-W	471612
2H3849	CATER	455379	2L1Z7B215A	FORD	4503N	2W1734	CATER	39888	300111	CURTS	471612
2H3850	CATER	410312N	2L8635	CATER	471281	2XE446	PARGN	471570	3001138	CUMMI	39701
2H3851	CATER	417191	2LA0662	WHITE	470027	2XE446A	PARGN	472924	300130	GR-DV	472394
2H3851	CATER	455165	2LA0662	WHITE	471554	3595870	FORD	229010	30013272	GMC	710394
2H3853	CATER	455290	2LG6700	FORD	350936	3900720	FORD	229010	300137	CURTS	472397
2H3910	CATER	473448	2M482	FMC	415449	3002403	CALI	415234	30014404	TROS	471981
2H3910	TRACN	473448	2M5965	CATER	416624N	30055	SKF	415086N	300145	CURTS	470806
2H3911	CATER	418028	2M5Q6L270AA	FORD	713087	30055	SKF	417487	30015206	TROS	7044NA
2H3911	CATER	455137	2M5V3K169AA	FORD	474288	3014300	CALI	470354	30015608	TROS	450298
2H3912	CATER	471391	2M5V3K169BA	FORD	224045	3037500	CALI	415034	30015608	TROS	473239
2H3912	TRACN	471391	2M5Z1177AA	FORD	474288	3037500	CALI	455034	300160	CURTS	471224
2H3913	CATER	417073	2M5Z1177BA	FORD	224045	3055600	CALI	455536	30016005	TROS	472394
2H3915	CATER	323138	2M7316	CATER	471466V	3056600	CALI	55563	30016008	TROS	472394
2H3917	CATER	40140S	2M7316	FI-AL	471466V	3056800	CALI	415036	30016010	TROS	472394
2H3918	CATER	410825	2M8216	CATER	470077	3056802	CALI	415036	3001772	CUMMI	39823
2H3919	CATER	410520	2M8216	CATER	474281	3057000	CALI	416892	300178	CURTS	473214
2H3919	CATER	471272	2M8675	CATER	470219	3057800	CALI	7354N	30018130	GMC	710394
2H4403	LEYLD	471689	2M8675	CATER	471649	3066600	CALI	412943	300186	CURTS	470625
2H4659	LEYLD	416664	2N4251	FORD	417316	3066800	CALI	416008	300194	CURTS	471413
2H5021	CATER	471689	2N4251X	FORD	417316	3067000	CALI	416107	3002	ALLCH	450301
2H6250	CATER	450084	2P3858	CATER	J1825	3067000	CALI	455073	3002	ALLCH	472397
2H9298	CATER	472354	2P3859	CATER	J1780	3075100	CALI	415294	3002	BUC-E	450301
2H9298	CATER	50395S	2P8423	CATER	471138	3075100	CALI	455294	3002	BUC-E	472397
2J1307	CATER	416364	2PS396	C-P	450117	3228	TW-CO	417507	3002	CABOT	450301
2J1746	CATER	40140S	2PS396	C-P	472572	3228	TW-CO	455513	3002	CABOT	472397
2J2631	CATER	417546	2QA6700	FORD	350936	34783	SPICE	472397	30020004	TROS	472397
2J7426	CATER	415295	2R0299	CATER	415379	3SPC22	NOVO	470062	30020006	TROS	472397
2J8333	CATER	471224	2R2677	CATER	472185	3SPC22	NOVO	474264	30020008	TROS	450301
2J8952	CATER	417596	2R299	CATER	415379	3Y393	KEN	450291	30020008	TROS	472397
2J9472	CATER	240816	2R312	MOHWK	3591	3Y393	KEN	471141	30020405	TROS	6954S

INTERCHANGE SECTION

COMPETITIVE INTERCHANGES

Mfr No.	Mfr.	National	Mfr No.	Mfr.	National	Mfr No.	Mfr.	National	Mfr No.	Mfr.	National
30020805C	TROS	8430S	3004302	HYST	470347	30072	GARLK	471526	30102	JOHND	50395S
30020808	TROS	472015	3004302	HYST	474254	30073886	ALLCH	473460	301028R91	IH	416404
30020936	GMC	710522	3004303	HYST	473439	3007466	GWJ	473215	301032R91	IH	416664
30021607	TROS	471272	3004306	HYST	40438S	3007497	ALLCH	415498	301032R91	IH	455364
30021608	TROS	410520	3004307	HYST	471765	30074975	ALLCH	415498	3010457	CUMMI	39809
30021608	TROS	471272	3004316	CUMMI	39302	3007498	ALLCH	450143	3010459	CUMMI	39837
30022004	TROS	442874	3004316	CUSH	39302	30077	GWJ	450065	3010464	CUMMI	99311
300221065	TROS	3945	3004317	CUMMI	39813	3007723	ALLCH	450313	3010465	CUMMI	99367
300221X065	TROS	3945	300437	UNIVE	417488	30081	GARLK	471472	30108	C-R	200133
300221X065C	TROS	3945	300438	MICH	417488	300845C91	IH	3894V	30108	SKF	200133
300228	CURTS	471958	3004548	HYST	J1141	300845C91	NAVST	5064	3010945	CUMMI	314259
300230	GR-DV	416654	3004726	HYST	416557	3008506LPD	JN-MN	417488	30112	C-R	55548
300230	GR-DV	455012	3004731	HYST	415458	30087	C-R	415088	30112	SKF	55548
30023204	TROS	40555	3004731	HYST	475458	30087	C-R	455088	301177C91	IH	417484N
30023204	TROS	40555S	3004786	HYST	470543	30087	SKF	415088	301177C91	IH	475322N
30023667	GMC	710522	3004786	HYST	474272	30087	SKF	455088	301181	HYST	470954
30024	CABOT	472015	3004787	HYST	415389	300916	WHITE	450316	301181	HYST	480954
30024	GEHL	472015	3004790	HYST	471272	300916	WHITE	472636	30121	GEM	480210
3002400	CALI	415234	30049	C-R	417487	30095	C-R	415088	301210	CLARK	417267
300244	C-W	412861	30049	C-R	455086	30095	SKF	415088	301211	CLARK	45827S
300244	CURTS	412861	30049	SKF	417487	3009625	CUMMI	712027	301234C	OLIVE	470120
30024B63	CABOT	472015	30049	SKF	455086	30098	C-R	455088V	301234C	OLIVE	471224
30026	C-R	100495	300491	CURTS	471760	30098	SKF	455088V	301234E	MINNM	471224
30026	SKF	100495	3004985	HYST	472157	300A15604	TROS	450084	301234E	OLIVE	470120
300269	CURTS	455019	300499	UNIVE	455019	300A1560775	TROS	450084	301234E	OLIVE	471224
30027	MALL	340120	300500	MICH	455019	300A15608	TROS	450084	30125	C-R	455019
300285	CURTS	473228	3005041	GWJ	412871	300A15610	TROS	450084	30125	SKF	455019
300319	CURTS	471744	3005041	GWJ	450329	300A156105	TROS	450084	301257	CLARK	418029
3003272	HYST	442507	30055	C-R	415086N	300A16008	TROS	473460	301257	CLARK	455499
30033	C-R	455086	30055	C-R	417487	300A20006	TROS	470530	3012898	GWJ	416476
30033	SKF	455086	3005592	HYST	227550	300A20008	TROS	450085	301317	WHITE	418028
3003353	CUMMI	39713	30057	C-R	415086N	300A20008	TROS	470530	301317	WHITE	455137
3003353	HYST	40566S	30057	SKF	415086N	300A200105	TROS	410085	30131718	ALLCH	415960
300343	CURTS	472658	3005885	CUMMI	39715	300A200105	TROS	470530	301331R91	IH	352541
300343	CURTS	473197	3005OS	JN-MN	416921	300A20012	TROS	410085	301332R91	IH	352541
3003572	HYST	40433S	3005OS	JN-MN	455011	300A20012	TROS	470530	301333R91	IH	352541
3003862	HYST	493524	30060	C-R	415962	300A20808	TROS	450115	301334R91	IH	450183
300387	UNIVE	417350	30060	GARLK	471442	300A20808	TROS	473467	301334R91	IH	472179
300387	UNIVE	455479	30060	SKF	415962	300A20812	TROS	8650S	301335R91	IH	470712
3003877	CUMMI	39705	30061	ALLCH	417171	300A21208	TROS	472234	301351	CLARK	473227
3003878	CUMMI	39701	3006236	CUMMI	99437	300A21607	TROS	471341	301352	CLARK	470219
300388	MICH	417350	3006237	CUMMI	99601	300A21608	TROS	450441	301352	CLARK	471649
300388	MICH	455479	3006557	CUMMI	99210	300A21608	TROS	471341	30138	NEWPR	710495
3004	LABEQ	350823	3006642	GWJ	450291	300A21612	TROS	471341	30140	C-R	712000
3004	LABEQ	473454	3006642	GWJ	471141	300C14708	TROS	6818	30140	SKF	712000
300400	CURTS	471424	3006736	CUMMI	39813	300RC	SUL	416107	3014302	CALI	470354
300400	MICH	415995	3006737	CUMMI	39807	300RC	SUL	455073	30143796	ALLCH	476283N
300400	MICH	455013	3006738	CUMMI	39823	301	NOK	370036A	30144	C-R	3592
300400	UNIVE	415995	3006739	CUMMI	39723	301SA799	B-L-H	455008	30144	SKF	3592
300400	UNIVE	455013	3006740	CUMMI	99399	301870	ELRNG	229005	30144349	ALLCH	415725
300412	UNIVE	417351	3006741	CUMMI	99475	30100	C-R	455088V	30145	C-R	100263
300412	UNIVE	455154	3006742	CUMMI	99362	30100	SKF	455088V	30145	C-R	3905
300413	MICH	417351	3006743	CUMMI	99599	301013	CATER	472164	30145	SKF	100263
300413	MICH	455154	3006744	CUMMI	99372	301013	TMTR	472164	30145	SKF	3905
300424	UNIVE	417487	30070	C-R	417488	301014R91	IH	470506	3014546A	HR-DV	471554
300424	UNIVE	455014	30070	SKF	417488	30101695	ALLCH	416556	30147	C-R	710008
300425	MICH	417487	30071021	ALLCH	415147	30101695	ALLCH	472157	30147	SKF	710008
300425	MICH	455014	30071021	ALLCH	415449	301017	CATER	J1130	301487	O-M	471264
3004256	HYST	413247	30071609	ALLCH	450083	301017	TMTR	J1130	301495	AMC	240009
3004256	HYST	450350	30071609	ALLCH	472924	30102	JOHND	472354	30150	MICH	471571

INTERCHANGE SECTION

COMPETITIVE INTERCHANGES



Mfr No.	Mfr. National	Mfr No.	Mfr. National	Mfr No.	Mfr. National	Mfr No.	Mfr. National
30153	C-R 100263	301SC175	CLARK 455027	301SK347	CLARK 415991	301SS347	B-L-H 416892
30153	SKF 100263	301SC262	B-L-H 415867	301SK347	CLARK 455146	301SS477	B-L-H 415449
301532R1	IH 450494	301SC347	B-L-H 470163	301SK477	B-L-H 417512	301SS477	B-L-H 455147
301532R1	IH 472164	301SC347	B-L-H 471766	301SK522	B-L-H 417601	301SS522	B-L-H 415077
301532R91	IH 450494	301SC477	B-L-H 415023	301SK522	CLARK 417601	301ST175	B-L-H 415379
301532R91	IH 472164	301SC485	B-L-H 340787	301SK650	B-L-H 416476	301ST175	B-L-H 455379
301569C91	IH 35949N	301SC485	CLARK 340787	301SK650	B-L-H 455075	301ST262	B-L-H 417273
3016	TIMKE 3016	301SC522	B-L-H 415187	301SK650	CLARK 416476	301ST347	B-L-H 450082
30162	MICH 471647	301SC541	B-L-H 416288	301SK650	CLARK 455075	301ST347	B-L-H 473238
30162	UNIVE 471647	301SC983	CLARK 415725	301SL162	B-L-H 417600	301ST477	B-L-H 417538
3016788	CUMMI 39853	301SD162	B-L-H 455576	301SL175	B-L-H 416229	301ST477	CLARK 417538
3016789	CUMMI 39851	301SD162	CLARK 455576	301SL175	CLARK 416229	301SU162	B-L-H 416666
3016792	CUMMI 39849	301SD175	B-L-H 416345	301SL262	B-L-H 416125	301SU175	B-L-H 415960
3016793	CUMMI 39701	301SD175	B-L-H 455033	301SL262	CLARK 416125	301SU175	B-L-H 455009
3016794	CUMMI 39711	301SD175	CLARK 416345	301SL347	B-L-H 473460	301SU262	B-L-H 450441
30170344	ALLCH 415991	301SD175	CLARK 455033	301SL477	B-L-H 40140S	301SU262	B-L-H 471341
30170344	ALLCH 455146	301SD262	B-L-H 415938	301SL522	B-L-H 417549	301SU477	B-L-H 55419
30175	MICH 472951	301SD347	B-L-H 416339	301SM175	B-L-H 415124	301SU522	B-L-H 417298
30175	MICH 474252	301SD347	B-L-H 455031	301SM175	CLARK 415124	301SU650	B-L-H 450078
30175	UNIVE 472951	301SD477	B-L-H 471646	301SM262	B-L-H 412473	301SU650	B-L-H 473444
30175	UNIVE 474252	301SD485	B-L-H 340356	301SM262	B-L-H 415894	302	NOK 370065A
30182	UNIVE 450039	301SD485	CLARK 340356	301SM347	B-L-H 417596	302	UNIVE 417171
30183	MICH 450339	301SE175	B-L-H 415116	301SM477	B-L-H 471424	302002426	WHITE 472164
30184345	ALLCH 415379	301SE262	B-L-H 415551	301SM522	CLARK 417605	302002442	WHITE 473237
30184345	ALLCH 455379	301SE347	B-L-H 417556	301SM650	B-L-H 417196	302002698	WHITE 472164
3018584	B-L-H 415551	301SE347	CLARK 417556	301SN175	B-L-H 450067	30201	GARLK 471466
301923R91	IH 415991	301SE477	B-L-H 55030	301SN175	B-L-H 473228	302012	CLARK 471442
301923R91	IH 415991N	301SE522	B-L-H 450070	301SN262	B-L-H 412119	3020182	CUMMI 39705
3019600	CUMMI 39867	301SE522	B-L-H 472185	301SN262	B-L-H 450101	3020183	CUMMI 39703
30199	WAYNE 470409	301SF175	B-L-H 417020	301SN477	B-L-H 457585	3020184	CUMMI 39723
301991	O-M 340787	301SF262	B-L-H 415072	301SN522	CLARK 417191	3020186	CATER 39703
301SA162	B-L-H 415116	301SF347	B-L-H 470605	301SO522	B-L-H 415187	3020187	CUMMI 39719
301SA175	B-L-H 417562	301SF347	CLARK 470605	301SP175	B-L-H 416888	3020188	CUMMI 50569
301SA175	CLARK 417562	301SF477	B-L-H 455462	301SP175	B-L-H 455200	3020190	CUMMI 50568
301SA262	B-L-H 416865	301SF522	B-L-H 415482	301SP175	CLARK 416888	3020191	CUMMI 39723
301SA262	B-L-H 455070	301SF541	B-L-H 415991	301SP175	CLARK 455200	3020546	CUMMI 39809
301SA347	B-L-H 417210	301SF541	B-L-H 415991N	301SP262	B-L-H 415196	30208	CHERY 471765
301SA485	B-L-H 340413	301SF650	B-L-H 416892	301SP262	CLARK 415196	302088	CLARK 40140S
301SA521	B-L-H 415013	301SH175	B-L-H 415001	301SP347	B-L-H 472144	30210538	ALLCH 471224
301SA521	B-L-H 415995	301SH175	B-L-H 455001	301SP347	CLARK 472144	30213	GARLK 471264
301SA522	B-L-H 416239	301SH347	B-L-H 415007	301SP650	CLARK 415991	3022	PEERC 472705
301SA522	CLARK 416239	301SH347	CLARK 415007	301SP650	CLARK 455146	3022043	ALLCH 475009N
301SA650	B-L-H 455019	301SH477	B-L-H 415036	301SR162	B-L-H 416654	302232R91	IH 340151
301SA822	B-L-H J1136	301SH522	CLARK 455330	301SR162	B-L-H 455012	302238	CLARK 471192
301SB162	B-L-H 417602	301SH650	B-L-H 417543	301SR175	B-L-H 415090	30225	GARLK 471255
301SB175	B-L-H 416891	301SJ175	B-L-H 455195	301SR175	CLARK 415090	302292E	OLIVE 470189
301SB175	CLARK 416891	301SJ175	B-L-H 472157	301SR262	B-L-H 472560N	302292E	OLIVE 471692
301SB262	B-L-H 455018	301SJ175	CLARK 455195	301SR262	B-L-H 50151S	302293E	OLIVE 470358
301SB262	B-L-H 476470	301SJ175	CLARK 472157	301SR347	B-L-H 473225	302293E	OLIVE 473231
301SB347	B-L-H 417567	301SJ262	B-L-H 415645	301SR477	B-L-H 473313	3022OS	JN-MN 471255
301SB347	CLARK 417567	301SJ262	B-L-H 455104	301SR522	B-L-H 415995	30237	GARLK 471564
301SB477	B-L-H 450083	301SJ347	B-L-H 416077	301SR522	B-L-H 455013	3023OS	JN-MN 471762
301SB477	B-L-H 472924	301SJ347	CLARK 416077	301SS162	B-L-H 416047	302425	MICH 455015
301SB485	B-L-H 340927	301SJ477	B-L-H 471647	301SS162	B-L-H 416332	302425	UNIVE 455015
301SB485	CLARK 340927	301SJ650	B-L-H 417606	301SS175	B-L-H 415437	302459R91	IH 471224
301SC162	B-L-H 417158	301SK175	B-L-H 416364	301SS175	B-L-H 455173	30246201	ALLCH 410101N
301SC162	B-L-H 455355	301SK175	CLARK 416364	301SS262	B-L-H 416107	30246458	ALLCH 472439
301SC175	B-L-H 415027	301SK262	B-L-H 455584	301SS262	B-L-H 455073	30246540	ALLCH 455186
301SC175	B-L-H 455027	301SK347	B-L-H 415991	301SS262	CLARK 416107	30246920	ALLCH 450082
301SC175	CLARK 415027	301SK347	B-L-H 455146	301SS262	CLARK 455073	30246920	ALLCH 473238

INTERCHANGE SECTION

COMPETITIVE INTERCHANGES

Mfr No.	Mfr.	National	Mfr No.	Mfr.	National	Mfr No.	Mfr.	National	Mfr No.	Mfr.	National
30247290	ALLCH	455330	3031T	CASE	473010	30400543	ALLCH	470565	304499	UNIVE	415021
302495	O-M	471264	3031T	DURA	450154	3040062	ALLCH	415327	304500	MICH	415021
3024OS	JN-MN	471763	3031T	DURA	473234	30400626	ALLCH	415327	3045043	ALLCH	45187S
302500	MICH	455020	3031W	CASE	472185	30401194	ALLCH	415551	3045101	IG-RA	415013
302564	O-M	481443	3031W	DURA	40071S	30402M0101	NISSA	222820	3045101	IG-RA	415995
302587	STUDE	410190	3031WA	OSHKO	475009N	30402M7000	NISSA	222820	304525	MICH	415394
3025OS	JN-MN	470163	3031Z	DURA	473016	304026	JA-MI	417316	30454SA	TRSCM	455088
3025OS	JN-MN	471766	303223795	WHITE	472636	304026	JA-MI	455004	30454TA	TRSCM	415088
3026	CLIN	340483	303228738	WHITE	415960	304026	JAE	417316	30458	GARLK	471567
302640	CLARK	411376	303228746	WHITE	471138	304026	JAE	455004	3046311	SPICE	410520
3026OS	JN-MN	473212	303239	CONTI	470548	30402VH	TRSCM	45013S	3046311	SPICE	471272
3027675	CUMMI	39877	303239	CONTI	470625	30404	STAR	J1106	304632	SPICE	470169
30277	SPICE	6808N	303251	REX	417210	304046	PEERC	471765	304632	SPICE	473214
3027OS	JN-MN	450194	303262	REX	473237	30404SA	TRSCM	455013	304632C91	IH	472705
3027OS	JN-MN	473010	303283844	WHITE	471224	30404TA	TRSCM	415013	304633	SPICE	410520
3028	NATL	6712NA	303291278	WHITE	712250	30404TA	TRSCM	415836	304633	SPICE	471272
302825E	OLIVE	471554	3032SR	OSHKO	473215	3040805M1	MASSE	417349	304634	SPICE	471466
30283	PEERC	473016	303331849	WHITE	471272V	30409239	ALLCH	471341	304636	SPICE	6835S
302837	PEERC	450183	303341186	WHITE	415085	3040D	GOODM	416339	3046362	SPICE	350679
302837	PEERC	472179	303349691	WHITE	415559	3040D	GOODM	455031	3046362	SPICE	470954
3028697	ALLCH	470308N	303353C91	IH	473243	3040F	GOODM	416339	304637	SPICE	410520
30286975	ALLCH	470308N	303359425	WHITE	417509	3040F	GOODM	455031	304637	SPICE	471272
30287403	ALLCH	471224	30338461	ALLCH	471442	30413	GW	471750	304638	SPICE	8421S
3028OS	JN-MN	450078	30341	CHERY	415001	30414	GW	471747	30468	CHERY	411253
3028OS	JN-MN	473444	30341	CHERY	455001	30414	GW	472674	30468	CHERY	450099
302950	CROSL	471747	30346	CHERY	471785	30420007	TROS	473463	3047201	CALI	455330
302950	CROSL	472674	30348	SPICE	40316S	30420408	TROS	450307	304736	JAC	471267
302957	GW	323138	30348536	ALLCH	471224	30420808	TROS	410308	3047402	CALI	415577
3029OS	JN-MN	450117	30348833	ALLCH	410085N	30420808	TROS	450308	30477	NAPCO	473228
3029OS	JN-MN	472572	30349583	ALLCH	415984	30420811	TROS	470308N	3047701	CALI	415295
303	NOK	370025A	30349591	ALLCH	410101N	30420812	TROS	410308	3047900	CALI	415009
303026477	WHITE	416229	30349591	ALLCH	412119	30421208	TROS	473471	3047900	CALI	415960
303067785	WHITE	416404	30360	C-R	355669	30421607	TROS	473473	3047901	CALI	415009
303076520	WHITE	472179	30360	CHERY	471750	30421608	TROS	473473	3047901	CALI	415960
303078124	WHITE	472439	30360	SKF	355669	30424SA	TRSCM	455014	304816C91	IH	416921
30308	NATL	470308N	303600686	REX	473179	30424SA	TRSCM	455086	304831R91	IH	323138
3030OS	JN-MN	473236	30370	C-R	710363	30427	GARLK	470954	304832R91	IH	323138
303104478	WHITE	417357	30370	C-R	710881	3042826	ALLCH	8907	30488	GARLK	471643
3031124	GMC	710891	30370	SKF	710363	30431100	ALLCH	455186	30488357	ALLCH	470737N
303113221	WHITE	240733	30370	SKF	710881	3044	C-R	340826	3048ALA83	IH	471192
303119351	WHITE	471652V	30373TA	TRSCM	415281N	3044	SKF	340826	3048PALA100	IH	470954
303131173	WHITE	471272N	30373VTB	TRSCM	476023N	304400	MICH	416404	3048PALA63	IH	450352
303134008	WHITE	417254	30374TA	TRSCM	417349	304400	UNIVE	416404	3048PALA63	IH	472164
3031445	CUMMI	39867	30376107	ALLCH	470219	304412	UNIVE	416011	3049464	CUMMI	39869
3031446	CUMMI	39875	30376107	ALLCH	471649	304412	UNIVE	417621	3049467	CUMMI	39865
303189	REX	470548	30379	VERSA	370119A	304413	MICH	416011	3049468	CUMMI	39861
303189	REX	470625	3037969	ALLCH	415086N	304413	MICH	417621	304967	WHITE	5751
3031A	DURA	471231	3037969	ALLCH	417487	304418C91	IH	3016	304981	JAC	471652
3031AA	DURA	473236	30379812	ALLCH	471272N	304424	UNIVE	416288	304986	WHITE	473215
3031BB	DURA	471267	3037T2	WHITE	240733	304425	MICH	416288	304N2	WHITE	450094
3031D	DURA	450039	30386759	ALLCH	473231	304437	UNIVE	417171	304N2	WHITE	473462
3031F	DURA	470219	3038997	FPDSL	471795V	304438	MICH	417171	304VB7	MARI	417487
3031F	DURA	471649	3038999	CUMMI	471267V	30444095	ALLCH	471224	304VB7	MARI	455014
3031J	DURA	470045	3038D	GOODM	415379	304446	EATON	370119A	305	NOK	370001A
3031J	DURA	476838	3038D	GOODM	455379	304450	GW	415991	3055016411	VW	1962
3031K	CASE	471763	303VB7	MARI	415995	304450	GW	455146	3050	C-R	240698
3031K	DURA	471765	303VB7	MARI	455013	304450	UNIVE	417172	3050	SKF	240698
3031N	DURA	470163	304	NOK	370003A	304451	GW	416167	3050TA	OSHKO	5751
3031N	DURA	471766	304	UNIVE	418028	30446	GARLK	471554	3051	FMS	3051N
3031T	CASE	450194	304	UNIVE	455137	30448	GARLK	471643	3051	PEERC	472826

INTERCHANGE SECTION

COMPETITIVE INTERCHANGES



Mfr No.	Mfr. National	Mfr No.	Mfr. National	Mfr No.	Mfr. National	Mfr No.	Mfr. National
305110	O-M 474278	30662	SPICE 417480	30772	C-R 710106	30862835	VOLVO 716102
305110	O-M 6859S	30662	SPICE 455860	30772	SKF 710106	3087	TIMKE 3087
305115	JAC 471255	3067100	CALI 55103S	307739	AMC 410059	30870321	VOLVO 225230
3051237	ALLCH 415991	306711	AMC 470351	307739	AMC 470380	308703210	VOLVO 225230
3051237	ALLCH 415991N	306711	AMC 471504	307882R91	IH 441130	308703214	VOLVO 225230
305128R91	IH 471570	30678	GARLK 471267	307968R91	IH 412920	30870411	VOLVO 225450
305149	O-M 481443	3067OS	JN-MN 470062	307968R91	IH 450132	308704110	VOLVO 225450
3051N	TIMKE 3051N	3067OS	JN-MN 474264	307VB7	MARI 55028	308719	JAC 470120
305268	GWI 340483	306804	AMC 473211	308	UNIVE 415437	308719	JAC 471224
305269	WHITE 415016N	30684	AMC 471255	308	UNIVE 455173	308731	JAC 350414
305366	GWI 416476	30684	GMC 471267	3080836	STEM 370001A	308731	JAC 472311
305387C1	IH 415072	30687	GARLK 471570	3080836	STEM 380001A	30874033	VOLVO 223750
305439	JAC 481073	3068800	CALI 416008	3080853	STEM 370124A	30874034	VOLVO 710767
30544	PEERC 417604	306994	AMC 42763	3080855	STEM 370131A	30874170	VOLVO 712007
30563136	GMC 710237	306J	OSHKO 450070	3080856	STEM 370131A	30874307	VOLVO 710329
3056401	CALI 415219	306J	OSHKO 472185	3080856	STEM 380131A	308743079	VOLVO 710329
3056501	CALI 416154	306VB7	MARI 415027	3080863	STEM 370132A	30875591	VOLVO 710767
30565360	ALLCH 2505	306VB7	MARI 455027	3080864	STEM 370048A	308755917	VOLVO 710767
3056803	CALI 415036	3070713	STEM 370036A	3080864	STEM 370182A	308811	JAC 471571
3057	PEERC 471137	3070713	STEM 370349A	3080864	STEM 380048A	308986	ACF 450085
30574	CASE 40494S	3070713	STEM 380036A	3080866	STEM 370150A	308986	ACF 470530
305834	GWI 450121	3070723	STEM 370065A	3080870	STEM 370009A	308B14408	TROS 470687
305834	GWI 472409	3070723	STEM 376590A	3080870	STEM 380009A	308VB7	MARI 416339
305845	GWI 416865	3070723	STEM 380065A	308070	JAC 471539	308VB7	MARI 455031
305845	GWI 455070	3070723	STEM 386590A	308079	JAC 450431	3090903	STEM 370022A
30585	PEERC 418028	3070743	STEM 370025A	308079	JAC 471539	3090903	STEM 380022A
30585	PEERC 455137	3070743	STEM 380025A	308160	ACF 470077	3090904	STEM 370031A
305902	GWI 472439	3070743	STEM 386025A	308160	ACF 474281	3090904	STEM 380031A
305925	AMC 9613S	3070744	STEM 370037A	308160	H-S 470077	3090912	STEM 370023A
305926	GWI 455195	3070744	STEM 370338A	308160	H-S 474281	3090912	STEM 380023A
305926	GWI 472157	307024	AMC 5778	30816008	TROS 471391	3090915	STEM 370024A
30592696	GMC 3543	30705	GARLK 471633	30820008	TROS 473242	3090935	STEM 370047A
305VB7	MARI 415023	307073C91	IH 471267	30820807	TROS 410312N	3090948	STEM 370069A
306	NOK 370023A	3070OS	JN-MN 411394	30820808	TROS 410312N	3090948	STEM 380069A
306	UNIVE 417354	3070OS	JN-MN 450317	308214	GWI 55301S	3090957	STEM 370009A
3060	C-R 240698	307109	JAC 472319	30821608	TROS 471138	3090957	STEM 380009A
3060	SKF 240698	30711646	VOLVO 711002	30822408	TROS 470565	3090960	STEM 370005A
306122	BUC-E 470086	30711647	VOLVO 710642	308277	AMC 471984	3090961	STEM 370030A
306124	HU-WR 473313	30711875	VOLVO 223750	3083	TIMKE 3083	3090964	STEM 370021A
306130	BUC-E 473461	307121	GWI 471267	30839	SEAMA 415371	3090965	STEM 370019A
3062	BUC-E 473463	30713022	VOLVO 710798	308405R1	IH 335924N	3090970	STEM 370006A
30628K	CLARK 473473	30713726	VOLVO 710699	308412	UNIVE 455566	3090973	STEM 370003A
3062900	CALI 416167	307137260	VOLVO 710699	308424	UNIVE 455018	3090973	STEM 380003A
3063	SNFLW 204035	30713728	VOLVO 710774	308424	UNIVE 476470	309007	H-S 450593
306335R91	IH 470625	307137281	VOLVO 710774	308425	MICH 455018	309013	FREIG 416339
306336R91	IH 470625	30713729	VOLVO 710773	308425	MICH 476470	309013	FREIG 455031
306346R91	IH 441130	307137299	VOLVO 710773	308437	UNIVE 417181	309128R91	IH 441130
306392	Y-T 450115	30715	GARLK 471646	308438	MICH 417181	309209	AMC 470351
306392	Y-T 473467	30715608	TROS 7216	308449	UNIVE 418028	309209	AMC 471504
306424	UNIVE 456105	30730	GARLK 470590	308449	UNIVE 455137	309254C91	IH 415035
306425	MICH 456105	30731650	VOLVO 710789	308450	MICH 418028	309254C91	IH 415953
306437	UNIVE 417490	307316500	VOLVO 710789	308450	MICH 455137	309323C91	IH 370023A
306438	MICH 417490	3073OS	JN-MN 410737	3084879	CUMMI 39821	309323C91	NAVST 370023A
306449	UNIVE 455336	3073OS	JN-MN 450737	308499	UNIVE 415023	309323C91	NAVST 380023A
306450	MICH 455336	30751873	VOLVO 710590	30849D	IH 415991	30932D	IH 450082
306500	MICH 455022	307557	GWI 470163	30849D	IH 455146	30932D	IH 473238
30651380	VOLVO 223005	307557	GWI 471766	308500	MICH 415023	309372	JAC 240733
306513805	VOLVO 223005	307615	WHITE 473215	308510	JAC 350954	3094	C-R 712022
30651791	VOLVO 222742	3077	C-R 220818	308510	JAC 470954	3094	SKF 712022
3066	PEERC 450039	3077	SKF 220818	308548	AMC 41787S	309457	AMC 450154

INTERCHANGE SECTION

COMPETITIVE INTERCHANGES

Mfr No.	Mfr.	National	Mfr No.	Mfr.	National	Mfr No.	Mfr.	National	Mfr No.	Mfr.	National
309457	AMC	473234	31020404	TROS	5756	3107A	BORGW	240816	311405641D	AUDI	1174
3095	TIMKE	3095	3102180575	TROS	204035	310841	TIMKE	310841	31142	SPICE	442380
309522	STUDE	450066	310230045	TROS	40337S	3108650R91	IH	483238V	311421	SPICE	442380
309522	STUDE	473367	31023204	TROS	473476	3108OS	JN-MN	470062	311422	SPICE	442380
309612	H-S	470059	310232045	TROS	40337S	3108OS	JN-MN	474264	31144	C-R	2260
309612	H-S	470380	31028	GARLK	471689	310921	ACF	450083	31144	FBG	224200
3096223	VOLVO	370025A	3103	C-R	712021	310921	ACF	472924	31144	SKF	2260
309737	AMC	41787S	3103	NATL	3095	310921	H-S	450083	31147	C-R	416404
309745	H-S	470027	3103	SKF	712021	310921	H-S	472924	31147	SKF	416404
309745	H-S	471554	3103	TIMKE	3103	310946R91	IH	415304	3114778	AMC	9613S
309781	JAC	470027	3103341	WHITE	100495	310946R91	IH	476470	31148	C-R	416404
309781	JAC	471554	3103341	WHITE	415281N	310971	H-S	411253	31148	SKF	416404
3098	CALSO	473227	3103514	WHITE	370047A	310971	H-S	450099	31149	EATON	370019A
309823C91	IH	415958	3103838	VOLVO	710329	310978	VICK	471649	31149	EATON	415060
309823C91	IH	455958	31038381	VOLVO	710329	310B20808	TROS	8243	311493	AMC	340771
3099	PEERC	450161	31040	GARLK	471733	310C204065	TROS	200110	31152	C-R	714470
3099	PEERC	471764	3104014	VOLVO	710642	310D20404	TROS	5756	31152	SKF	714470
309VB7	MARI	416345	3104085	WHITE	415991	310D20604	TROS	40973S	311531	H-S	481073
309VB7	MARI	455033	3104085	WHITE	415991N	310E2180575	TROS	493291	311540	BORGW	J1121
30A1635	MINNM	480630	310413SL	MICH	455500	310G15604	TROS	6808N	311616	AMC	8160S
30A1680	MINNM	471276	310424	UNIVE	416292	310H13604	TROS	5778	31162	MICH	471648
30A2783	MINNM	203013	310425	MICH	416292	310VB7	MARI	415034	31162	UNIVE	471648
30A2801	MINNM	40301S	310437	UNIVE	417491	310VB7	MARI	455034	3116442	AMC	6835S
30A514	MINNM	481792	310438	MICH	417491	311405341B	AUDI	1962	311653330	WHITE	416664
30A515	MINNM	470712	310449	UNIVE	415085	311405341B	VW	1962	311697	BORGW	416288
30P514	MINNM	450444	310449	UNIVE	456648	311405641B	VW	1962	3116N	TIMKE	3116N
30P514	MINNM	471835	310450	MICH	415085	311898	ELRNG	229005	311706560	WHITE	415725
30PS462	C-P	416476	310450	MICH	456648	3110	BORGW	410059	311717	H-S	412943
30PS462	C-P	455075	3104650	ALLCH	J1105	3110	BORGW	470380	311718	H-S	471820
30T811	CLARK	410059	3104651	ALLCH	450082	311035	WOOL	416891	311721	AMC	450867
30T811	CLARK	470380	3104651	ALLCH	473238	31105D	IH	412473	311721	AMC	470898
30X40X7SB	TRSCM	1129	3104652	ALLCH	450082	31105D	IH	415894	31173	C-R	415156N
30X47X8TC	TRSCM	223020	3104652	ALLCH	473238	31106D	IH	481864	31173	SKF	415156N
3102184910	GOETZ	710608	310500	MICH	455024	31108D	IH	470059	31175	C-R	370145A
31211101114	BMW	224010	310509R91	IH	415995V	31108D	IH	470380	31175	MICH	471688
31211106225	BMW	224010	310510R91	IH	455006N	3110A	BORGW	410059	31175	SKF	370145A
31211106226	BMW	224010	310511R91	IH	415164N	3110A	BORGW	470380	31175	UNIVE	471688
31211106227	BMW	224010	310514R91	IH	3893V	3110A	MERIX	410059	31177	C-R	416011
31211107447	BMW	224010	310515R91	IH	475003N	3110A	MERIX	470380	31177	C-R	417621
31211107456	BMW	224520	310516R91	IH	415437	3110A	ROCKW	410059	31177	SKF	416011
31211119200	BMW	224820	3105234	AMC	471141	3110A	ROCKW	470380	31177	SKF	417621
31211119571	BMW	224820	310523R91	IH	415995V	3111035	WOOL	416888	31182	UNIVE	450040
31211130238	BMW	224820	310524R91	IH	455006N	3111035	WOOL	455200	311825	H-S	471472
31211634107	BMW	1196	310525R91	IH	412473	31113	GARLK	471652	31183	MICH	450040
31219061512	BMW	224820	310525R91	IH	415894	31117	GARLK	471692	31185	C-R	2291
312634100	WHITE	J1127	3105459	AMC	471344	31118	GARLK	471692	31185	SKF	2291
310	UNIVE	417355	310550R91	IH	417357	311189	TIMKE	311189	311865	Y-T	416654
3101034	STEM	370011A	310550R91	IH	455192	31119D	IH	415984	311865	Y-T	455012
3101079	STEM	370173A	310599	O-M	471571	31128	GARLK	470712	31189	C-R	2291
3100	TIMKE	3100	310622	JAC	471267	31129	C-R	45825S	31189	C-R	416011
31004	GARLK	471224	310625	ACF	450076	31129	SKF	45825S	31189	C-R	417621
310099	HYST	204029	310625	ACF	470334	3112948	AMC	240151	31189	SKF	2291
310099	HYST	204507	310625	H-S	450076	3113029	AMC	470712	31189	SKF	416011
3101	C-R	350364	310625	H-S	470334	31138	GARLK	471763	31189	SKF	417621
3101	SKF	350364	310625	JAC	470045	3113831	AMC	471344	3119701X01	NISSA	224979
310131	H-S	416921	310625	JAC	476838	31139	C-R	416404	311994R91	IH	471224
310131	H-S	455011	3106480	AMC	453165	31139	SKF	416404	311VB7	MARI	415088
310195	FORD	710409	3106480	AMC	471619	31140	GARLK	471763	311VB7	MARI	455088
31020	GARLK	471649	3106565	WHITE	472164V	311405641	VW	1174	312	UNIVE	416339
31020008	TROS	412725	3106565	WHITE	482164N	311405641B	AUDI	1962	312	UNIVE	455031

INTERCHANGE SECTION

COMPETITIVE INTERCHANGES



Mfr No.	Mfr. National	Mfr No.	Mfr. National	Mfr No.	Mfr. National	Mfr No.	Mfr. National
31203	C-R 8976S	3123416	AMC 240698	313096	JAC 350823	313751XF00	NISSA 710923
31203	SKF 8976S	31235	HYST 412920	313096	JAC 473454	3137531X00	NISSA 710442
31205	GEM 240151	312356	FORD 450067	3130C	MINNM 417344	3137531X01	NISSA 221207
31207	AM WH 450185	312356	FORD 473228	3130C	MINNM 455006	3137531X03	NISSA 710442
31207	AM WH 473229	3123576	AMC 470548	313100R91	IH 415021	3137541X00	NISSA 2027
312110	PEUGE 223020	3123576	AMC 470625	3131106100	MITSU 710313	3137541X01	NISSA 224464
312119	ALLCH 40438S	3123587	AMC 450117	3131106101	MITSU 710313	3137541X06	NISSA 223801
31212634108	BMW 494122	3123587	AMC 472572	31311F	DIA 471689	3137541X07	NISSA 223801
31213207	TROS 450540	3123667	AMC 340797	31315	NEWPR 710902	313754AX00	NISSA 224663
31214	VICK 417040	3123668	AMC 340797	313156	TIMKE 313156	313754AX02	NISSA 224663
312140	TIMKE 312140	312424	UNIVE 416294	31316	C-R 416024	3137551X00	NISSA 224215
312148075	TROS 470088	312437	UNIVE 412473	31316	SKF 416024	3137551X01	NISSA 224215
312150	CITRO 710582	312437	UNIVE 415894	3131C	MINNM 413469	3137551X03	NISSA 224663
312150	PEUGE 710582	312438	MICH 412473	31323	C-R 370046A	3137560X00	NISSA 224215
312151	PEUGE 710699	312438	MICH 415894	31323	SKF 370046A	3137580X00	NISSA 224450
312156075	TROS 473458	312438ISL	MICH 412473	31324	GR-DV 410312N	3137580X01	NISSA 224450
31216007	TROS 450094	312438ISL	MICH 415894	313240	H-S 415458	3137590X01	NISSA 1973
31216007	TROS 473462	31244	C-R 370014A	313240	H-S 455003	3137590X0A	NISSA 1973
312160075	TROS 450094	31244	SKF 370014A	313245	FORD 450117	3137590X0B	NISSA 221207
312160075	TROS 473462	312450	MICH 417191	313245	FORD 472572	3137590X00	NISSA 2027
31216283	VOLVO 710642	312450990	WHITE 417134	313249	H-S 415995	31375PR000	NISSA 710442
312163	CITRO 710582	31246	GARLK 471766	313249	H-S 455013	313756	H-S 471549
31219	NEWPR 710657	312460C91	IH 410686N	3132497	VOLVO 475003N	313757	H-S 471750
312196	TIMKE 312196	312462	UNIVE 417354	3132498	VOLVO 9773	313777	JAC 340469
31220007	TROS 450095	312462V	UNIVE 417354	31324S	FORD 450117	31378	C-R 6481S
31220007	TROS 473464	312463	MICH 417354	31324S	FORD 472572	31378	GARLK 473215
312200075	TROS 473464	312469	MICH 455249	313262	LEROI 415960	31378	SKF 6481S
31220407	TROS 416738	31247	C-R 39809	313262	LEROI 455009	3138	PEERC 470950
31220407	TROS 450096	31247	SKF 39809	31328	GEHL 471138	3138	PEERC 6241S
31220806	TROS 472409	3124732	AMC 6760S	31330	SPICE 471192	3138143	AMC 470403
31220807	TROS 450121	312499	UNIVE 417191	31330	VIC 471192	3138143	AMC 470774
31220807	TROS 472409	312499	UNIVE 455165	31333	C-R 415021	313820R91	IH 473447
312208075	TROS 450121	31250	C-R 417171	31333	SKF 415021	31384	CASE 340900
312208075	TROS 472409	31250	SKF 417171	31336X0101	NISSA 710324	313842	TIMKE 313842
31221	NEWPR 710660	312500	MICH 415025	31336X1226	NISSA 710051	313856R91	IH 450048
312210075	TROS 450621	312518	TIMKE 312518	31336X6901	NISSA 224464	3138701R91	IH 325776
31221207	TROS 470354	312580	H-S 473446	31336X8000	NISSA 223801	313886	JAC 471466
312212075	TROS 6186	31262	GARLK 471795	31339213	VOLVO 710669	31390	C-R 5313
31221211	TROS 6636S	31269	C-R 417172	3134	PEERC 471192	31390	SKF 5313
31221607	TROS 410737	31269	SKF 417172	3134093	AMC 450117	313914R91	IH 417354
31221607	TROS 450737	31270	SPICE 416273	3134093	AMC 472572	313914R92	IH 417354
31221608	TROS 410737	31281	C-R 370014A	31343	HYST 415138	313936	H-S 473448
312216115C	TROS 410737	31281	C-R 370046A	3134421X00	NISSA 224663	3139OS	JN-MN 450307
31223204	TROS 472029	31281	SKF 370014A	31344X0101	NISSA 2025	313VB7	MARI 415995
312237	ACF 473215	31281	SKF 370046A	31344X0102	NISSA 2025	313VB7	MARI 455013
312237	H-S 473215	3129318	AMC 474255	31344X0100	NISSA 2025	314	UNIVE 415697
312238	ACF 470950	31293199	VOLVO 711002	3134500	CALI 455019	314	UNIVE 455547
312238	ACF 6241S	3129320	AMC 340151	31348	GARLK 472258	3140	C-R 350364
312238	H-S 470950	31299	C-R 416297	31353	C-R 415394	3140	SKF 350364
312238	H-S 6241S	31299	SKF 416297	31353	SKF 415394	3140380	AMC 450117
31224	GARLK 471413	312VB7	MARI 417191	31360	GARLK 471192	3140380	AMC 472572
31227	C-R 416288	312VB7	MARI 455165	31362	C-R 9600S	3140D	GOODM 416345
31227	SKF 416288	31302	HYST 470548	31362	SKF 9600S	3140D	GOODM 455033
312276	WHITE 450115	31302	HYST 470625	31368	GARLK 473214	3141	C-R 712021
312276	WHITE 473467	313046	ACF 450025	3136881R91	IH 2260	3141	SKF 712021
31228	C-R 416288	313046	ACF 471553	3136881R92	IH 2260	31415TA	TRSCM 415156N
31228	SKF 416288	313046	H-S 450025	3136N	TIMKE 3136N	31415TA	TRSCM 416011
31228D	IH 415371	313046	H-S 471553	31370	GARLK 473214	314172KB	TRSCM 8976S
31232	GARLK 471737	31307	C-R 370046A	313734	FORD 473215	31424TA	TRSCM 416288
31234	HYST 410102	31307	SKF 370046A	313751XD00	NISSA 710631	314259	TIMKE 314259

INTERCHANGE SECTION

COMPETITIVE INTERCHANGES

Mfr No.	Mfr.	National	Mfr No.	Mfr.	National	Mfr No.	Mfr.	National	Mfr No.	Mfr.	National
314267N	TIMKE	314267N	31508	HYST	417538	31621610	TROS	410316	317219	H-S	410520
3143382	CLARK	415447	3150858	AMC	240816	31621610	TROS	472636	317219	H-S	471272
31435	VICK	415146	31510	C-R	228009	31622008	TROS	411394	317237	WHITE	470120
31435	VICK	415991	31510	SKF	228009	31622008	TROS	450317	317237	WHITE	471224
3143C	MINNM	471750	3151007	AMC	6988H	31622408	TROS	413246	31726	GARLK	472179
3143N	TIMKE	3143N	31511	C-R	228015	31622408	TROS	413246N	3173	TIMKE	3173
314425SL	MICH	418029	31511	SKF	228015	31623204	TROS	442380	3173098	WILYS	5111S
314425SL	MICH	455499	31513	C-R	228010	31623206	TROS	471271	3173532	AMC	7022S
314449	UNIVE	417492	31513	SKF	228010	31623208	TROS	450519	31743	GARLK	471984
314450	MICH	55419	31515	C-R	228025	31623208	TROS	471271	3174533	AMC	471652
314462	UNIVE	417493	31515	SKF	228025	31624007	TROS	451143	3174533	AMC	482208
314463	MICH	417493	31516	C-R	228009	31634	WAYNE	471733	31750	GARLK	473313
3144651	AMC	471195	31516	SKF	228009	316374	SPICE	J1130	317510R91	IH	6863S
3144651	AMC	481195	31517	C-R	228020	31640	C-R	456799	31753	C-R	3385
3144651	WILYS	471195	31517	SKF	228020	31640	SKF	456799	31753	SKF	3385
3144651	WILYS	481195	31525	CASE	5865	3164335	AMC	480479H	317549R91	IH	412119
3145	C-R	220860	3153	FR-HT	471795	3164335	Y-T	480479H	317570R91	IH	455035N
3145	SKF	220860	3153	PEERC	450067	316437	UNIVE	416624	31758	C-R	456105
314500	MICH	455026	3153	PEERC	473228	316449	UNIVE	415991	31758	SKF	456105
31454	GARLK	473227	31531	SPICE	410987	316449	UNIVE	455146	31763	LEECE	450340
31455TA	TRSCM	417172	3153482	AMC	473234	316450	MICH	415991	31769	LEECE	473414
31462	GARLK	470625	3153825	AMC	470331N	316450	MICH	455146	317749C92	IH	5065
31464	GARLK	470625	3154112	AMC	311189	316462	UNIVE	417196	317847R91	IH	471255
314658	CHRYS	450095	315459	H-S	413469	316463	MICH	417196	31785	CHERY	471763
314658	CHRYS	473464	315465	TW-CO	6638S	316475	MICH	415437	317879	H-S	472951
31472	GARLK	470380	3155002	AMC	321460	316475	MICH	455173	317879	H-S	474252
314745	Y-T	415035	3155002	WILYS	321460	316475	UNIVE	415437	317923	WHITE	450194
314745	Y-T	455035	3155168	AMC	410059	316475	UNIVE	455173	317923	WHITE	473010
31475	EATON	415697	3155168	AMC	470380	316487	UNIVE	417198	317944R91	IH	417267
31475	EATON	455547	31554	SPICE	473228	316499	UNIVE	415027	317VB7	MARI	417487
3148004	AMC	473234	31554	VIC	473228	316500	MICH	415027	317VB7	MARI	455014
3148513	AMC	340356	3156012	AMC	7022S	316500	MICH	455027	3180	PEERC	450154
31490	C-R	710080	31566	GARLK	473230	316524	WHITE	450070	3180	PEERC	473234
31490	SKF	710080	31575	HYST	472015	316524	WHITE	472185	3180041	AMC	473234
31492	C-R	228013	31575B	HYST	450115	3166233	AMC	8429S	318010	CLARK	417498
31492	GARLK	473228	31575B	HYST	473467	316675	ACF	481644	318011A	CLARK	450183
31492	SKF	228013	31576	GARLK	473231	316675	H-S	481644	318011A	CLARK	472179
314923	WHITE	450194	3158	NORDG	450183	316756	STUDE	5827	318012	CLARK	415449
314923	WHITE	473010	3158	NORDG	472179	3167833	AMC	8549S	318012	CLARK	455147
314924	H-S	473427	31581	C-R	228009	316785	WHITE	41075S	318014	CLARK	415995
31494	C-R	228010	31581	SKF	228009	316785A	WHITE	41075S	318014	CLARK	455013
31494	SKF	228010	3158482	AMC	7038SA	31690	GARLK	473237	31802	GARLK	472439
31494SA	TRSCM	455022	3158703	AMC	470059	3169D5	WHITE	470308N	3180211	AMC	710447
31495	C-R	710614	3158703	AMC	470380	316VB7	MARI	415027	318026	CLARK	450183
31495	SKF	710614	315872	JAC	340815	316VB7	MARI	455027	318026	CLARK	472179
314963	CHRYS	473447	3159	NORDG	450361	3171705	STEM	370031A	318027	CLARK	416891
31497	C-R	228008	3159	NORDG	472193	3171705	STEM	380031A	318028	CLARK	412119
31497	SKF	228008	31590	GARLK	473010	3171721	STEM	370132A	318028	CLARK	450101
31498	GARLK	473228	315945	JAC	6357S	3171756	STEM	370023A	31803	CLARK	411253
314VB7	MARI	415394	315967	JAC	415995	3171756	STEM	380023A	31803	CLARK	450099
315019	H-S	471747	315967	JAC	455013	3171790	STEM	370069A	318031	CLARK	456105
315019	H-S	472674	31598	GARLK	473232	3171790	STEM	380069A	31804	GARLK	472439
3150254	AMC	7022S	315VB7	MARI	417181	31704	GARLK	472164	318047C11	IH	712375
31504	C-R	710103	31615608	TROS	451078	3170700	AMC	7687S	31805	CLARK	450067
31504	SKF	710103	31615608C	TROS	451078	3171	C-R	470195	31805	CLARK	473228
31506	C-R	228005	31621008	TROS	450869	3171	PEERC	470219	31806	SPICE	482253
31506	SKF	228005	31621208	TROS	473245	3171	PEERC	471649	31807	CLARK	470682
3150677	AMC	473234	31621604	TROS	40316S	3171	SKF	470195	31808	CLARK	450316
31507	C-R	228008	31621608	TROS	450316	31714	GARLK	472185	31808	CLARK	472636
31507	SKF	228008	31621608	TROS	472636	3172073	WILYS	5111S	31808	NEWPR	710662

INTERCHANGE SECTION

COMPETITIVE INTERCHANGES



Mfr No.	Mfr. National	Mfr No.	Mfr. National	Mfr No.	Mfr. National	Mfr No.	Mfr. National
31809	CLARK 473447	3192K	FORD 450095	319W22250	LK-BT 416556	319W22152	FMC 416332
3181	NORDG 417492	3192K	FORD 473464	319W22250	LK-BT 472157	319W22153	FMC 415937
31814	GARLK 472572	319306	WHITE 240151	319W22264	LK-BT 416380	319W22170	FMC 416339
3182	PEERC 470074	3193613	AMC 710447	319W22311	LK-BT 415371	319W22218	FMC 415034
3182	PEERC 474265	319413	ACF 413246	319W22327	LK-BT 416865	319W22250	FMC 416556
318243	WHITE 455151	319413	ACF 413246N	319W22452	LK-BT 416239	319W22250	FMC 472157
31825	C-R 417490	319413	H-S 413246	319W22726	LK-BT 453165	319W22264	FMC 416380
31825	SKF 417490	319413	H-S 413246N	319W22726	LK-BT 471619	319W22229	FMC 415697
31826	GARLK 473238	3194171	AMC 321460	319W22822	LK-BT 471818	319W22311	FMC 415371
31827	CATER 417349	3194827	AMC 321460	319W2297	LK-BT 473214	319W22327	FMC 416865
31827	TMTR 417349	3195	TIMKE 3195	319W22971	LK-BT 473440	319W22360	FMC 416107
31828	HYST 470088	319506C1	IH 370124A	319W23033	LK-BT 471419	319W22412	FMC 417362
318360	H-S 471760	319506C92	IH 370124A	319W23033	LK-BT 473367	319W22442	FMC 416229
31837	SPICE 410825	319527172	FMC 417357	319W2304	LK-BT 472299	319W22452	FMC 416239
318371	SPICE 410825	319527172	FMC 455192	319W23144	LK-BT 413248	319W22726	FMC 453165
31838	GARLK 473239	31955	C-R 455022	319W2319	LK-BT 472185	319W22726	FMC 471619
3183886	AMC 480479H	31955	SKF 455022	319W23235	LK-BT 472016	319W22822	FMC 471818
3183887	AMC 6988H	31960	HYST 470064	319W23238	LK-BT 416267	319W22971	FMC 473440
3183981	AMC 470331N	31960	HYST 471821	319W23247	LK-BT 472018	319W22980	FMC 471958
318449	UNIVE 415498	31970	ACF 415991	319W23261	LK-BT 471138	319W23013	FMC 471316
3184494	AMC 8160S	31970	ACF 455146	319W23262	LK-BT 450316	319W23033	FMC 471419
3184500	CALI 415379	31970	HYST 415991	319W23262	LK-BT 472636	319W23033	FMC 473367
318462	UNIVE 415711	31970	HYST 455146	319W2332	LK-BT 470565	319W2304	FMC 472299
318463	MICH 415711	319785	WHITE 41075S	319W23321	LK-BT 415001	319W23144	FMC 473240
318475	MICH 417497	319812	H-S 450441	319W23339	LK-BT 415003	319W2319	FMC 472185
318475	UNIVE 417497	319812	H-S 471341	319W23339	LK-BT 415458	319W23235	FMC 472016
31848	GARLK 473240	3199S	TIMKE 3199	319W23356	LK-BT 417344	319W23238	FMC 416267
318487	UNIVE 417498	319W112	LK-BT 415294	319W2336	LK-BT 416271	319W23261	FMC 471138
318488	MICH 417498	319W112	LK-BT 455294	319W23838	LK-BT 416267	319W23263	FMC 450316
318499	UNIVE 55028	319W1121	LK-BT 415072	319W26349	LK-BT 450039	319W23263	FMC 472636
318500	H-S 415437	319W11211	LK-BT 416229	319W27612	LK-BT 476517	319W23310	FMC 471887
318500	MICH 55028	319W11212	LK-BT 415294	319W2763	LK-BT 472239	319W23311	FMC 415371
31855	C-R 455336	319W11212	LK-BT 455294	319W2764	LK-BT 471379	319W2332	FMC 470565
31855	SKF 455336	319W11214	LK-BT 417298	319W2765	LK-BT 476510	319W23321	FMC 415001
3186	TIMKE 3186	319W1122	LK-BT 457874	319W2768	LK-BT 476511	319W23339	FMC 415458
3186540	AMC 8549S	319W11220	LK-BT 455584	319W3440	LK-BT 417492	319W23339	FMC 475458
318675C91	IH 410308	319W1125	LK-BT 417562	319W345	LK-BT 416654	319W23356	FMC 417344
318675C91	IH 450308	319W1128	LK-BT 417563	319W345	LK-BT 455012	319W2336	FMC 416271
318678C91	IH 475095N	319W17112	LK-BT 476517	319W35	LK-BT 415041	319W23522	FMC 416865
31870	C-R 6358	319W1714	LK-BT 471379	319W35514	LK-BT 415317	319W23838	FMC 416267
31870	SKF 6358	319W1715	LK-BT 476510	319W17537	FMC 415449	319W27612	FMC 476517
31881	CHECK 416738	319W1717	LK-BT 476511	319W17625	FMC 455026	319W27613	FMC 476518
31881	CHECK 450096	319W21446	LK-BT 471567	319W21446	FMC 471567	319W2766	FMC 476512
31897	C-R 710477	319W21519	LK-BT 471649	319W21531	FMC 471692	319W2769	FMC 476514
31897	SKF 710477	319W21767	LK-BT 470334	319W21624	FMC 471192	319W35510	FMC 471571
318987C91	IH 475095N	319W21875	LK-BT 410312N	319W21624	LK-BT 471192	319W35514	FMC 415317
3190	CR-CF 450025	319W21919	LK-BT 410520	319W2175	FMC 473229	319W35515	FMC 415124
3190	CR-CF 471553	319W21919	LK-BT 471272	319W21767	FMC 470334	319W3553	FMC 415645
319026C11	IH 722250	319W21955	LK-BT 415147	319W21875	FMC 472016	319W3556	FMC 416167
319039	ALLCH 473458	319W21955	LK-BT 415449	319W21919	FMC 471272	319W3557	FMC 416476
319130K	IH 450094	319W21962	LK-BT 415098N	319W21955	FMC 415449	319W3558	FMC 455406
319130K	IH 473462	319W22014	LK-BT 416921	319W21962	FMC 415098N	319W3611	FMC 451583
31916	NEWPR 710771	319W22032	LK-BT 416011	319W2201	FMC 416664	31A9426	DALMO 472354
31917625	FMC 455026	319W22032	LK-BT 417621	319W22032	FMC 416011	31A9426	DALMO 50395S
31917665	FMC 415836	319W22140	LK-BT 415146	319W22032	FMC 417621	31D3639	BENDI 340797
31917665	FMC 415995	319W22140	LK-BT 415991	319W22033	FMC 416288	31TA154	OSHKO 471887
31922	CONTI 416738	319W22152	LK-BT 416557	319W22033	LK-BT 416288	31TA397	OSHKO 471341
31922	CONTI 450096	319W22153	LK-BT 415937	319W22140	FMC 415146	31X10977	JOHND 340356
31922	FAIRB 416738	319W22170	LK-BT 416339	319W22140	FMC 415991	31X12575A	JOHND 416339
31922	FAIRB 450096	319W22218	LK-BT 415034	319W22152	FMC 416047	31X12584A	JOHND 415064

INTERCHANGE SECTION

COMPETITIVE INTERCHANGES

Mfr No.	Mfr.	National	Mfr No.	Mfr.	National	Mfr No.	Mfr.	National	Mfr No.	Mfr.	National
31X17484A	JOHND	455576	3205331	AMC	5111S	321224	NATL	471224	32185	HYST	473236
32008451	SAAB	710235	3205502	GMC	471801	321237	H-S	473215	321852	WHITE	470163
3202009	STEM	370057A	32056	GARLK	472397	3212529	GMC	450593	321852	WHITE	471766
3202034	STEM	370012A	320563	NATL	2025	321264	NATL	471264	32185A	JOHND	200110
3202039	STEM	370033A	320564	TIMKE	320564	321267R91	IH	415991	32186	GARLK	472015
3202711	STEM	370182A	320583	TIMKE	320583	321267R91	IH	415991N	32186	HYST	473236
3206017	STEM	370036A	320595	TIMKE	320595	321267R92	IH	415991	3218686	GMC	415960
3206017	STEM	370349A	320603	TIMKE	320603	321267R92	IH	415991N	3218686	GMC	455009
3206017	STEM	380036A	3206237	GMC	450094	321282R91	IH	470351	3218769	GMC	470059
32006	CHERY	472144	3206237	GMC	473462	321298	JAC	470120	3218769	GMC	470380
32006	GARLK	471424	3206864	GMC	471472	321298	JAC	471224	32189	LEECE	471192
32006248	SAAB	710463	320691	TIMKE	320691	3212984	GMC	450043	3219176	GMC	417316
32006249	SAAB	710464	32071	GARLK	473242	3212984	GMC	473419	3219176	GMC	455004
32006250	SAAB	710529	32077	ROSS	323138	3213601G00	NISSA	224215	32195	GARLK	410308
32006251	SAAB	225005	3208474	AMC	470331N	3213601G10	NISSA	224215	32195	GARLK	473468
32006252	SAAB	710226	320942	H-S	471192	3213601J00	NISSA	224464	32195	LEECE	473016
3200636	AMC	480821	320A23108	TROS	6785	3213607200	NISSA	710324	32198	GARLK	472016
320084	H-S	450316	320C21606	TROS	44052	3213618000	NISSA	1981	3219S	GIB	450117
320084	H-S	472636	320JX216	MACK	415938	3213690007	NISSA	227020	3219S	GIB	472572
3200A104	MITSU	710173	321501641	AUDI	1962	32136E0100	NISSA	710324	321VB7	MARI	417210
3202034	GMC	470045	321501641	VW	1962	32136G1000	NISSA	2016	32205	HYST	472012
3202034	GMC	476838	321501641A	AUDI	1962	32136G1001	NISSA	2016	32210	GARLK	473243
320211C91	IH	470737N	321501641A	VW	1962	32136H5000	NISSA	2016	32213M8000	NISSA	222540
3202170	AMC	8773S	321501641B	AUDI	1962	32136H8900	NISSA	2016	3221338	GMC	470712
32022006	TROS	5924	321501641B	VW	1962	32136J2000	NISSA	224045	3221339	GMC	473225
32023	GARLK	472492	321501641C	AUDI	1962	32136J6500	NISSA	224045	3221342	GMC	416738
3202406	GMC	450194	321501641C	VW	1962	32136O7200	NISSA	3771	3221342	GMC	450096
3202406	GMC	473010	321501641E	AUDI	1962	32136U0100	NISSA	710324	3221709	GMC	473460
320249	TIMKE	320249	321501641E	VW	1962	32136V0100	NISSA	3771	32218	GARLK	413469
320259	TIMKE	320259	3210	TIMKE	3210	32136Z5000	NISSA	225875	32219Z5003	NISSA	223230
3202615	EUCLD	470027	3210521	GMC	417316	32136Z5002	NISSA	225875	322228	H-S	472179
3202615	EUCLD	471554	3210521	GMC	455004	3213601	GMC	471354	322240	NATL	476838
3202615	GMC	470027	3210522	GMC	455005	321389	NATL	470954	3222550	AMC	7687S
3202615	GMC	471554	321055	H-S	471747	3214	TIMKE	3214	322309	WOOL	415991
3202618	AMC	2287	321055	H-S	472674	321417N	TIMKE	321417N	322309	WOOL	455146
320265	GMC	470027	3211035	C-W	416229	3214224	NATL	471224	3223363	AMC	5121
320265	GMC	471554	3211035	WOOL	416229	321442	NATL	471442	322375	H-S	417316
320331	H-S	471137	321109BG	NATL	224045	321460	TIMKE	321460	322375	H-S	455004
3203459	AMC	340151	3211172	GMC	470120	321516	TIMKE	321516	3223795	WHITE	472636
320348	TIMKE	320348	3211172	GMC	471224	3215360	GMC	471264	322422	WHITE	470050
32035	GARLK	472924	3211301B00	NISSA	222030	321545R91	IH	473239	322424C91	IH	470565
3203640	GMC	415023	3211303E00	NISSA	710119	321546R91	IH	417343	32243	C-R	228015
320384	H-S	470645	3211313200	NISSA	222430	32159	GARLK	473204	32243	SKF	228015
32042	GARLK	417351	3211386400	NISSA	222820	321593	H-S	471255	3224704	AMC	321460
320449	UNIVE	415389	3211386401	NISSA	222820	321606	H-S	350156	322475	MICH	417501
3204510	AMC	340356	321138H500	NISSA	222742	321606	H-S	473096	322475	UNIVE	417501
320457	TIMKE	320457	32113EA00A	NISSA	1981	321643	NATL	471643	322499	UNIVE	55030
320462	UNIVE	416047	32113H3100	NISSA	222430	321649	NATL	471649	322500	MICH	55030
320462	UNIVE	416332	32113M8000	NISSA	710316	32166	HYST	416239	322674	CATER	471833
320463	MICH	416047	32113M8001	NISSA	222540	32167	JOHND	204017	322681C91	IH	450389
320463	MICH	416332	32113Y4000	NISSA	1981	32169	LEECE	40157S	3227	TIMKE	4950
320475	MICH	415937	3211420100	NISSA	1981	32171	GARLK	470898	3228	AT-PL	473463
320475	UNIVE	415937	32114Y4000	NISSA	1981	3217590	GMC	455019	32283	C-R	40375
320487	UNIVE	417355	32115C0400	HINO	225875	3217634	GMC	416339	32283	SKF	40375
320488	MICH	417355	32115C0400	NISSA	225875	3217634	GMC	455031	3228401R91	IH	2260
320499	UNIVE	416125	321167R92	IH	415991	3217873	GMC	416125	3228457R1	IH	325776
320500	MICH	416125	321167R92	IH	415991N	3217874	GMC	470062	322862	JAC	450039
3205000	GMC	411253	3211759	GMC	471787	3217874	GMC	474264	32288	HYST	417509
3205000	GMC	450099	321195	NATL	471195	32180	WAYNE	450352	32289	C-R	320691
3205298	WILYS	470954	321195	NATL	481195	32180	WAYNE	472164	32289	SKF	320691

INTERCHANGE SECTION

COMPETITIVE INTERCHANGES



Mfr No.	Mfr. National	Mfr No.	Mfr. National	Mfr No.	Mfr. National	Mfr No.	Mfr. National
32290	C-R 228009	32344	SKF 417433	32412	SKF 476470	32449	SKF 370018A
32290	SKF 228009	323562C91	IH 415147N	324120R91	IH 415304	324499	UNIVE 416339
32298	SPICE 471646	32358	KINGN 470045	324120R91	IH 476470	324499	UNIVE 455031
3229964	GMC 417486	32358	KINGN 476838	32414810	TROS 210945	3244E	GOODM 415036
3230	C-R 50445	3235929	AMC 473228	324155	WHITE 415995	324500	MICH 416339
3230	SKF 50445	3235929	AMC 481837	324155	WHITE 455013	324500	MICH 455031
32302	C-R 228480	32362	C-R 455566	3241669	AMC 3698	324525	MICH 415150
32302	SKF 228480	32362	GARLK 415259	324189	H-S 50081	32461	GARLK 416271
32303	GARLK 471272	32362	SKF 455566	324200075	TROS 410102	324631	SPICE 473215
323039	H-S 417357	3236560	JEEP 470331N	324204	TIMKE 324204	324634	SPICE 415449
323039	H-S 455192	3237134	GMC 415937	324216075	TROS 412920	324634	SPICE 455147
32304	C-R 228480	323777	STUDE 5976S	324216075	TROS 450132	3246D	GOODM 415041
32304	SKF 228480	32380	C-R 100494	32421611	TROS 412920	32470	C-R 370018A
3230430	AMC 8429S	32380	C-R 416470N	32422	GARLK 470565	32470	HYST 417492
3231	PEERC 450083	32380	SKF 100494	324220075	TROS 450133	32470	SKF 370018A
3231	PEERC 472924	32380	SKF 416470N	32422404	TROS 413247	324729R91	IH 417267
323112	NATL 410085	32380D	IH 412473	324224075	TROS 413247	324731R91	IH 470380
323112	NATL 470530	32380D	IH 415894	324224075	TROS 450350	324732R91	IH 472185
3231145	GMC 471192	3238137	AMC 3942	32423205	TROS 470605	32474TA	TRSCM 415577
323119	TIMKE 323119	32385	C-R 100494	324232075	TROS 470605	32477	C-R 417352
323124075	TROS 450492	32385	C-R 416470N	32423208	TROS 470605	32477	C-R 418028
323125	TIMKE 323125	32385	SKF 100494	324234V	TIMKE 324234V	32477	SKF 417352
323133	TIMKE 323133	32385	SKF 416470N	32423TB	TRSCM 476470	32477	SKF 418028
323135	STUDE 410190	32392	C-R 411275V	32424	C-R 417181	324867	H-S 470120
323138	NATL 323138	32392	SKF 411275V	32424	SKF 417181	324867	H-S 471224
323138	TIMKE 323138	3239231R91	IH 415082N	32424008	TROS 413248	3249244	GMC 450083
323151	STUDE 450066	32393	C-R 476470	324241	WHITE 471570	3249244	GMC 472924
323151	STUDE 473367	32393	SKF 476470	32424TA	TRSCM 415304	324960	Y-T 410825
32316008	TROS 450965	32394	C-R 476470	324267	WHITE 472394	324A23206	TROS 472397
32317	GARLK 471138	32394	SKF 476470	3242D	GOODM 417357	324G	OSHKO 455018
323191	NATL 417316	32395	C-R 415304	3242D	GOODM 455192	324G	OSHKO 476470
323208075	TROS 413469	32395	C-R 476470	3243	PEERC 450115	325155	ELRNG 3476
323212075	TROS 412943	32395	C-R 476470V	3243	PEERC 473467	32500	C-R 100494
323216075	TROS 411253	32395	FBG 100944	32434	GARLK 413246	32500	SKF 100494
323216075	TROS 450099	32395	SKF 415304	32434	GARLK 413246N	32501	C-R 418028
32321608	TROS 411253	32395	SKF 476470	324341C91	IH 100495	32501	C-R 455137
32321608	TROS 450099	32395	SKF 476470V	324341C91	IH 415281N	32501	SKF 418028
323220075	TROS 410694	32396	C-R 476470	324342R91	IH 350156	32501	SKF 455137
32322404	TROS 40101S	32396	SKF 476470	324342R91	IH 473096	3250132	AMC 710331
323224075	TROS 412119	32397	C-R 476470	32437	C-R 200870	32502	C-R 418028
323224075	TROS 450101	32397	SKF 476470	32437	SKF 200870	32502	SKF 418028
323224095	TROS 410101N	3240086	AMC 9912	324373R91	IH 472397	3250259	AMC 3476
32322412	TROS 412119	324014R91	IH 471224	324394	H-S 470219	32503	C-R 100557
323232075	TROS 410496	32403	C-R 411275V	324394	H-S 471649	32503	SKF 100557
323240075	TROS 412871	32403	SKF 411275V	324395	H-S 471652	32504TA	TRSCM 417352
323240075	TROS 450329	324043R91	IH 416888	3243D	GOODM 416130	3250632	IH 471267
32329	GARLK 472636	32404TA	TRSCM 415563	32441	C-R 7208S	3250733	AMC 3553
3232A	HERCU 455189	32404TA	TRSCM 455566	32441	SKF 7208S	3251309	GMC 415995
32330	C-R 710180	3240D	GOODM 416339	32446	GARLK 413247	3251309	GMC 455013
32330	SKF 710180	3240D	GOODM 455031	324475	MICH 415379	32519	C-R 370018A
32332	C-R 710180	3241	FMS 223010	324475	MICH 455379	32519	C-R 370047A
32332	SKF 710180	32410	C-R 100494	324475	UNIVE 415379	32519	SKF 370018A
3233871	GMC 470163	32410	C-R 416470N	324475	UNIVE 455379	32519	SKF 370047A
3233871	GMC 471766	32410	SKF 100494	32448	C-R 417352	325210	FAIRB 411394
32341	GARLK 412920	32410	SKF 416470N	32448	C-R 418028	325210	FAIRB 450317
32342	C-R 228480	32411127886	BMW 7013S	32448	SKF 417352	32526	HU-WR 473245
32342	SKF 228480	32411128589	BMW 7013S	32448	SKF 418028	32527	C-R 6584S
32344	C-R 415563	324118	WHITE 417484N	324487	UNIVE 417205	32527	SKF 6584S
32344	C-R 417433	324118	WHITE 455322	324488	MICH 417205	32528K	FAIRB 450316
32344	SKF 415563	32412	C-R 476470	32449	C-R 370018A	32528K	FAIRB 472636

INTERCHANGE SECTION

COMPETITIVE INTERCHANGES

Mfr No.	Mfr.	National	Mfr No.	Mfr.	National	Mfr No.	Mfr.	National	Mfr No.	Mfr.	National
32533	DIVCO	474278	326645	JAC	471268N	32815	C-R	475500	32QJ175	MACK	370006A
32533	DIVCO	480356	3266644	VOLVO	710619	32815	SKF	455500	32QJ179	MACK	370003A
32536	GARLK	471271	32669	DIVCO	240356	32815	SKF	475500	32QJ179	MACK	380003A
32536	GR-DV	473245	3267	PEERC	410496	3282	PEERC	417344	32QJ19301	MACK	370001A
325369	H-S	470120	326703R91	IH	471835	3282	PEERC	455006	32QJ19301	MACK	380001A
325369	H-S	471224	3267244	VOLVO	228009	32820804	TROS	6380	32QJ19302	MACK	370007A
32538	GOODM	450316	32672446	VOLVO	228009	32822	HYST	55301S	32QJ19303	MACK	370001A
32538	GOODM	472636	32676	GARLK	417158	328220	TORO	410059	32QJ19303	MACK	380001A
32540	C-R	417353	32683	GARLK	416664	328220	TORO	470380	32QJ19320	MACK	370001A
32540	SKF	417353	326871	JAC	350823	32822B	HYST	55301S	32QJ19320	MACK	380001A
325421	SPICE	5131	326871	JAC	473454	328475	MICH	417210	32QJ19321	MACK	370001A
325472	JAC	471267	326877	Y-T	455462	328475	UNIVE	417210	32QJ19321	MACK	380001A
32548	GARLK	470605	326964	ACF	471646	328487	UNIVE	417211	32QJ19322	MACK	370007A
325485	JAC	472475	326964	H-S	471646	328488	MICH	417211	32QJ19325	MACK	370003A
32551	GARLK	415449	32698	GARLK	415984	328499	UNIVE	416345	32QJ19325	MACK	380003A
32557	GARLK	415449	326PKG	TIMKE	326PKG	328499	UNIVE	455033	32QJ19326	MACK	370030A
32560	C-R	456305	326R	TIMKE	326PKG	328500	MICH	416345	32QJ19327	MACK	370001A
32560	SKF	456305	327298	ELRNG	710714	328500	MICH	455033	32QJ19327	MACK	380001A
32560F	DIA	471570	327026	H-S	471442	328512	UNIVE	415697	32QJ19329	MACK	370023A
32563	GARLK	415449	32710	GARLK	417316	328512	UNIVE	455547	32QJ19329	MACK	380023A
325668	H-S	472287	32712	WAYNE	450044	328525	MICH	417366	32QJ19336	MACK	370003A
32569	GARLK	416273	32712M	IH	473426	328525	UNIVE	417366	32QJ19336	MACK	380003A
325776	TIMKE	325776	327134R91	IH	473228	32870	C-R	100557	32QJ19337	MACK	370022A
32582	C-R	415023	32715	C-R	228250	32870	SKF	100557	32QJ19337	MACK	380022A
32582	SKF	415023	32715	SKF	228250	32875	HYST	412040	32QJ19340	MACK	370001A
32583	C-R	415023	32719	GARLK	415960	32875429	VOLVO	716102	32QJ19340	MACK	380001A
32583	SKF	415023	327215	TIMKE	327215	328B21604	TROS	41075S	32QJ19347	MACK	370007A
325836	NATL	415836	327228R91	IH	416888	328PKG	TIMKE	328PKG	32QJ19353	MACK	370003A
325836	NATL	415995	327229R91	IH	455480	328R	TIMKE	328PKG	32QJ19353	MACK	380003A
325905	NATL	415001	327230R91	IH	455480	3292	TIMKE	3292	32QJ19354	MACK	370003A
325954	WHITE	470548	327245	WHITE	410312N	329313C91	IH	470682	32QJ19354	MACK	380003A
325954	WHITE	470625	327267	WHITE	472394	329551	SPICE	6808N	32QJ19355	MACK	370003A
32597	C-R	455328	327303	NATL	327303	32968	HYST	413247	32QJ19355	MACK	380003A
32597	SKF	455328	327303	TIMKE	327303	32968	HYST	450350	32QJ19366	MACK	370001A
325988	WHITE	473313	327305	NATL	415725	32969	HYST	415371	32QJ19366	MACK	380001A
325PKG	TIMKE	325PKG	327321R91	IH	470712	32982	SPICE	6808N	32QJ19369	MACK	370023A
325R	TIMKE	325PKG	327364R91	IH	240319	329J225	MACK	370033A	32QJ19369	MACK	380023A
325W425	CONE	5169	327380R91	IH	416865	329PKG	TIMKE	329PKG	32QJ19371	MACK	370001A
32602	WAYNE	450540	327381R91	IH	415551	329R	TIMKE	329PKG	32QJ19371	MACK	380001A
32603	WAYNE	455321	32739	NEWPR	710683	32QF259	MACK	370001A	32QJ19373	MACK	370003A
32617	GARLK	413248	32740	WAYNE	5751	32QF259	MACK	380001A	32QJ19373	MACK	380003A
3262537	GMC	411376	327535	ALLCH	204013	32QJ00127A	MACK	370003A	32QJ19374	MACK	370023A
3262537	GMC	455093	327615	WHITE	473215	32QJ00127A	MACK	380003A	32QJ19374	MACK	380023A
3262538	GMC	416921	32770	GARLK	415303	32QJ131A	MACK	370048A	32QJ19376	MACK	370048A
3262538	GMC	455011	3277551	GMC	415035	32QJ131A	MACK	370182A	32QJ19376	MACK	370182A
326283C91	IH	6635S	3277551	GMC	455035	32QJ131A	MACK	380048A	32QJ19376	MACK	380048A
32632	GARLK	415483	32782	GARLK	417344	32QJ133A	MACK	370033A	32QJ19377	MACK	370006A
32635	US-EL	415302	32788A	KINGN	240731	32QJ156	MACK	370020A	32QJ19378	MACK	370006A
326370	HYST	470403	32791	GARLK	417158	32QJ158	MACK	370048A	32QJ225	MACK	370033A
326370	HYST	470774	327936H	NATL	227045	32QJ158	MACK	370182A	32QJ226	MACK	370048A
32644	GARLK	415458	327995	TIMKE	4307V	32QJ158	MACK	380048A	32QJ226	MACK	370182A
326487	UNIVE	417504	327M5	WHITE	450066	32QJ160	MACK	370048A	32QJ226	MACK	380048A
326488	MICH	417504	327M5	WHITE	473367	32QJ160	MACK	370182A	32QJ233	MACK	370031A
326499	UNIVE	455032	327PKG	TIMKE	327PKG	32QJ160	MACK	380048A	32QJ233	MACK	380031A
326500	MICH	455032	327R	TIMKE	327PKG	32QJ161	MACK	370033A	32QJ235	MACK	370065A
326525	MICH	455189	328062	JAC	470163	32QJ164	MACK	370023A	32QJ235	MACK	380065A
326525	UNIVE	455189	328062	JAC	471766	32QJ164	MACK	380023A	32QJ237	MACK	370003A
32656	GARLK	417343	32812	GARLK	416921	32QJ165	MACK	370036A	32QJ237	MACK	380003A
326594	H-S	417205	3281204	GMC	471570	32QJ165	MACK	370349A	32QJ241	MACK	370022A
326601	GMC	1174	32815	C-R	455500	32QJ165	MACK	380036A	32QJ241	MACK	380022A

INTERCHANGE SECTION

COMPETITIVE INTERCHANGES



Mfr No.	Mfr.	National	Mfr No.	Mfr.	National	Mfr No.	Mfr.	National	Mfr No.	Mfr.	National
32QJ243	MACK	370031A	32X22480A	JOHND	471698	3308001	BEHLN	471538	331301	AT SU	331301N
32QJ243	MACK	380031A	32X22481A	JOHND	470590	3308008	BEHLN	350909	331301N	TIMKE	331301N
32QJ250	MACK	370023A	32X38693A	JOHND	417343	3308008	BEHLN	471224	33131206111	BMW	1012N
32QJ250	MACK	380023A	32X47X7	NATL	3476	330810	WAGMA	413248	33136	C-R	415085
32QJ29301	MACK	370007A	32X50X8	NATL	710415	330931	WAGNR	416362	33136	C-R	456648
32QJ29302	MACK	370001A	32X51176A	JOHND	471442	3309507	GMC	417196	33136	SKF	415085
32QJ29302	MACK	380001A	32X51176B	JOHND	471442	330PKG	TIMKE	330PKG	33136	SKF	456648
32QJ29304	MACK	370023A	32X52X11TC	TRSCM	1167	330R	TIMKE	330PKG	3313904	GMC	450301
32QJ29304	MACK	380023A	33	BL-KN	471689	331007C91	IH	415991	3313904	GMC	472397
32QJ29306	MACK	471272	33121204847	BMW	225050	331007C91	IH	415991N	3314005U00	NISSA	710723
32QJ29316	MACK	370023A	33121212197	BMW	225050	3310206	PEERC	417344	331401LA0A	NISSA	710744
32QJ29316	MACK	380023A	33121213949	BMW	225050	3310206	PEERC	455006	3314033G02	NISSA	224266
32QJ29318	MACK	370022A	33411100559	BMW	226020	331028	PEERC	450067	331407S110	NISSA	710917
32QJ29318	MACK	380022A	33411100599	BMW	226020	331028	PEERC	473228	33140AT31A	NISSA	710723
32QJ329	MACK	370023A	33411106213	BMW	224235	33103	PEERC	417344	3314201J01	NISSA	710916
32QJ329	MACK	380023A	33411107512	BMW	224250	33103	PEERC	455006	3314201J10	NISSA	710916
32QJ330	MACK	370019A	33411108408	BMW	224235	33104	GARLK	416011	3314210R00	NISSA	710121
32QJ110	MACK	417492	33411119138	BMW	224250	33104	GARLK	417621	3314210R01	NISSA	710121
32QJ111C	MACK	370014A	33413406161	BMW	226020	33107	GEM	417267	331421KD0A	NISSA	225875
32QJ112B	MACK	370019A	3303077	STEM	357PKG	33100S	JN-MN	450352	3314227C00	NISSA	710723
32QJ115A	MACK	370011A	330S550	UNIVE	417506	33100S	JN-MN	472164	3314233G10	NISSA	224266
32QJ116B	MACK	370014A	330736	ELRNG	710824	3311035	WOOL	415074	331424N200	NISSA	710680
32QJ118A	MACK	370022A	330959	ELRNG	3772	331107N	TIMKE	331107N	3314256E00	NISSA	710214
32QJ118A	MACK	380022A	330965	ELRNG	710580	3311101J00	NISSA	225040	33143	GARLK	417171
32QJ119	MACK	370033A	330031	SPICE	476470	3311102J10	NISSA	225040	331454SA	TRSCM	456648
32QJ120	MACK	370011A	33004143	CHRYC	3698	3311106R00	NISSA	225210	3314727	GMC	473211
32QJ121A	MACK	370011A	33004681	CHRYC	321460	3311131G00	NISSA	225040	3314728	GMC	471868
32QJ122A	MACK	370011A	33007	C-R	228411	3311144000	NISSA	1992	331495	JAC	471413
32QJ127A	MACK	370003A	33007	SKF	228411	3311146G00	NISSA	225040	3315623	FULLE	710211
32QJ127A	MACK	380003A	33009	GARLK	417349	3311156E00	NISSA	226018	331572	JAC	470954
32QJ130A	MACK	370007A	330113	SPICE	6863S	331117S110	NISSA	710696	331572	JAC	480954
32QJ132A	MACK	370048A	33017	HYST	411394	33111AA400	NISSA	710915	3315763	GMC	415219
32QJ132A	MACK	370182A	33017	HYST	450317	33111AD300	NISSA	225210	3315821	GMC	472439
32QJ132A	MACK	380048A	33018	GARLK	417350	33111EN100	NISSA	710924	33163	JOHND	481864
32QJ135A	MACK	370031A	3302025	GMC	412473	33111JD60A	NISSA	225210	3317031	GMC	417604
32QJ135A	MACK	380031A	3302025	GMC	415894	33111JD60B	NISSA	225210	331808C91	IH	471570
32QJ136A	MACK	370030A	33031	CHERY	472015	33111ZD30A	NISSA	225040	331810C91	IH	471827
32QJ140	MACK	370033A	33033	C-R	455500	3311406R00	NISSA	710120	331817	PEERC	450185
32QJ228	MACK	370007A	33033	GARLK	415836	3311406R00	NISSA	710918	331817	PEERC	473229
32QJ238	MACK	370014A	33033	GARLK	415995	33114AD300	NISSA	710918	33185C6200	NISSA	221710
32QJ238A	MACK	370014A	33033	SKF	455500	33114AD30A	NISSA	710918	33187	GEM	474278
32QJ240	MACK	370069A	330385	TIMKE	330385	33116	GARLK	416288	33187	GEM	480356
32QJ240	MACK	380069A	330414	NATL	472311	33121202126	BMW	239146	3318749	GMC	417606
32QJ242	MACK	370019A	33042	GARLK	417351	33121202462	BMW	473823	3318750	GMC	417210
32QJ245	MACK	370048A	330487	UNIVE	455186	33121212461	BMW	1979	331882H	TOWNR	6988H
32QJ245	MACK	370182A	330488	MICH	455186	33121212464	BMW	1992	331PKG	TIMKE	331PKG
32QJ245	MACK	380048A	330499	UNIVE	415034	33121214080	BMW	1992	331R	TIMKE	331PKG
32QJ246	MACK	370002A	330499	UNIVE	455034	33121608	TROS	455136	3320	TLSMI	471538
32QJ248	MACK	370033A	330500	MICH	415034	3312226	CLARK	9613S	332013	PEERC	470163
32QJ249	MACK	370037A	330500	MICH	455034	331224	WAGMA	417344	332013	PEERC	471766
32QJ249	MACK	370338A	330525	MICH	455191	33122407	TROS	410987	332018	PEERC	450067
32QJ252	MACK	370048A	330525	UNIVE	455191	33122408	TROS	410686N	332018	PEERC	473228
32QJ252	MACK	370182A	330532	HYST	456967V	331227H	TIMKE	331227H	33202	CUSH	472287
32QJ252	MACK	380048A	33065	C-R	228411	33122808	TROS	450104	33202E	CUSH	472287
32QJ266	SPICE	370003A	33065	SKF	228411	331228H	TIMKE	331228H	3320340	PEERC	471686
32QJ266	SPICE	380003A	330663	TIMKE	330663	33123004336	BMW	223010	33204	C-R	716102
32X17610A	JOHND	J1121	330699	TIMKE	330699	33123004337	BMW	223010	33204	SKF	716102
32X21486A	JOHND	417343	33073	C-R	416292	33123608	TROS	413479	332040	PEERC	450194
32X22376A	JOHND	417343	33073	SKF	416292	33123608C	TROS	411330N	332040	PEERC	473010
32X22480A	JOHND	471684	330749V	TIMKE	330749V	33123808	TROS	411330N	33206	C-R	415085

INTERCHANGE SECTION

COMPETITIVE INTERCHANGES

Mfr No.	Mfr.	National	Mfr No.	Mfr.	National	Mfr No.	Mfr.	National	Mfr No.	Mfr.	National
33206	SKF	415085	3333	PEERC	415379	33434TA	TRSCM	415894	3357	TIMKE	3357
332062	TIMKE	332062	3333	PEERC	455379	33438	C-R	228411	33580	GARLK	415937
33209	NEWPR	4741	33346	GARLK	416294	33438	SKF	228411	335924N	TIMKE	335924N
3321	SABO	710467	33352	VIC	473230	334510	PEUGE	471785	3359RC	SUL	415991
332104	JAC	471649	33353	SPICE	473214	334510	WHITE	471785	3359RC	SUL	455146
3321601J00	NISSA	710113	33353	VIC	473214	33454	C-R	228410	335PKG	TIMKE	335PKG
3321605U00	NISSA	710772	333546	STUDE	471829	33454	SKF	228410	335R	TIMKE	335PKG
3321633G00	NISSA	710113	33356Z5001	NISSA	710316	33454SA	TRSCM	417191	336999	ELRNG	1172
3321633G01	NISSA	710113	333625	PEERC	471354	33454TA	TRSCM	417191	33601	GARLK	417355
332167S110	NISSA	710665	33364	GARLK	412473	33460	C-R	710088	336013R91	IH	417191
332167S11C	NISSA	710665	33364	GARLK	415894	33460	GARLK	416624	336018R91	IH	330385
33216CG01A	NISSA	710772	333642	PEERC	470712	33460	SKF	710088	336052R91	IH	471255
33221	GARLK	476470	333745C11	MERIX	370023A	33464TA	TRSCM	417354	336053R91	IH	471255
3322107	GMC	473226	333745C11	MERIX	380023A	334653	PEERC	470712	336090	JAC	471984
33221608	TROS	411376	333745C11	ROCKW	370023A	334728	CATER	473229	336106R91	IH	450311
33221608	TROS	455093	333745C11	ROCKW	380023A	33473	WAYNE	450332	336107R91	IH	471652
3322161125	TROS	411376	333750R91	IH	415004	33484	GARLK	415991	33613	GARLK	416125
3322161125	TROS	455093	333750R91	IH	417316	33484	GARLK	415991N	33617	DEXTR	440265
332220135	TROS	416444	33379	GARLK	417191	33489	SPICE	450444	33617	KELSE	440265
33222408	TROS	416273	333794R91	IH	473214	33489	SPICE	471835	33617	LIGET	440265
3322241125	TROS	416271	333833	STUDE	240698	33499	GARLK	417196	3362	HYST	473446
332224X06	TROS	416271	333840R91	IH	471643	334PKG	TIMKE	334PKG	336212J	SUL	412119
33222808	TROS	411245	333843R91	IH	473214	334R	TIMKE	334PKG	336212J	SUL	450101
33222808	TROS	455096	33390	C-R	477055	33511	GARLK	415437	336274R91	IH	471692
33223207	TROS	415449	33390	SKF	477055	33516008	TROS	417474	336276R91	IH	415013N
33223207	TROS	455147	33394	GARLK	417354	335164	JAC	471737	336276R91	IH	415995V
33223208	TROS	415147	333949R91	IH	471267	335196	GMC	3173	336276R92	IH	415013N
33223208	TROS	415449	333996R91	IH	415003	335196	GMC	710928	336276R92	IH	415995V
33223208C	TROS	7581H	333996R91	IH	415458	3351OS	JN-MN	450291	33628	C-R	5128N
33223210	TROS	415147	333996R92	IH	415458	3351OS	JN-MN	471141	33628	SKF	5128N
33223210	TROS	415449	333998R91	IH	472258	33520808	TROS	415349	3362RC	SUL	473236
33223212	TROS	415147	333PKG	TIMKE	333PKG	335212	FAIRB	412119	33633	ACF	450441
33223212	TROS	415449	333R	TIMKE	333PKG	335212	FAIRB	450101	33633	ACF	471341
33223608	TROS	415302	334001	GMC	473210	335212	GR-DV	412119	33645	C-R	415442
33223609	TROS	415302	33405	C-R	228410	335212	GR-DV	450101	33645	SKF	415442
33224008	TROS	415483	33405	SKF	228410	335212K	SUL	412119	33646	GARLK	416041
33224008	TROS	455368	33408	C-R	710765	335212K	SUL	450101	33653	ACF	450441
33224408	TROS	455434	33408	SKF	710765	33522808	TROS	417073	33653	ACF	471341
33224808	TROS	416664	3340RC	SUL	415034	335232075	TROS	415001	33653	HYST	450441
33224808	TROS	455364	3340RC	SUL	455034	335232075	TROS	455001	33653	HYST	471341
332271N	NATL	3945	3341	TIMKE	3341	33523208	TROS	415001	336537	WAGMA	416154
332271N	TIMKE	3945	33411085077	BMW	224250	33523208	TROS	455001	33655	GARLK	415379
3323295	GMC	417487	33412	C-R	716102	33523208C	TROS	415001	33659	C-R	5169
3323295	GMC	455014	33412	SKF	716102	33523210	TROS	415001	33659	SKF	5169
33236	GARLK	417181	33413	C-R	710617	33524	HARN	413469	336644	PEERC	470045
3325179	GMC	415937	33413	SKF	710617	335240075	TROS	417079	336644	PEERC	476838
33254	C-R	100557	33413404161	BMW	224235	33524808	TROS	417484N	336648	PEERC	450301
33254	SKF	100557	33413406111	BMW	1012N	33524808	TROS	455322	336648	PEERC	472397
33261	TROS	450143	33413604181	BMW	224250	33524810	TROS	417484N	33665	C-R	416294
332671	WHITE	473228	33416	C-R	716102	33524810	TROS	475322N	33665	SKF	416294
33270A20	AM HO	415116	33416	SKF	716102	33528	FAIRB	411253	336652	PEERC	450067
33275	GARLK	417353	3341D	GOODM	417511	33528	FAIRB	450099	336652	PEERC	473228
332860	Y-T	415076	3341RC	SUL	415645	33528	GR-DV	411253	336656	PEERC	417262
332901C91	IH	473451	3341RC	SUL	455104	33528	GR-DV	450099	336656	PEERC	455448
3329522	GMC	471192	33425	C-R	228520	33528M1	CR-CF	411253	336659	PEERC	412119
332A23204	TROS	8975S	33425	SKF	228520	33528M1	CR-CF	450099	336659	PEERC	450101
332A233X045	TROS	8975S	33427	C-R	228520	335447	GMC	5070	33667	GARLK	417205
332PKG	TIMKE	332PKG	33427	SKF	228520	3355OS	JN-MN	471801	33682	GARLK	416339
332R	TIMKE	332PKG	33429	C-R	228520	33568	GARLK	416047	336862	JAC	470954
333009	WAGMA	410867N	33429	SKF	228520	33568	GARLK	416332	336862	JAC	480954

INTERCHANGE SECTION

COMPETITIVE INTERCHANGES



Mfr No.	Mfr. National	Mfr No.	Mfr. National	Mfr No.	Mfr. National	Mfr No.	Mfr. National
336863	JAC 471442	33772	C-R 417354	338817R91	IH 455154	340188	WHITE 455004
336918	ALLCH 205017	33772	SKF 417354	338874R91	IH 472924	34020	EATON 416865
336962	JAC 471267	33772	WAYNE 471192	338875R91	IH 471224	34020	EATON 455070
33699	C-R 415164N	33773	C-R 417354	338877R91	IH 476424N	340208075	TROS 455080
33699	SKF 415164N	33773	SKF 417354	3388840	GMC 473474	340211	NATL 471643
336PKG	TIMKE 336PKG	33774	WAYNE 473211	338899R91	IH 473231	340216075	TROS 415234
336R	TIMKE 336PKG	33778	SPICE 472394	338904R91	IH 415234	340216095	TROS 415234
33700	C-R 412473	3377RC	SUL 417354	338PKG	TIMKE 338PKG	34022407	TROS 410825
33700	C-R 415894	33783	HYST 418028	338R	TIMKE 338PKG	3402241125	TROS 475380N
33700	SKF 412473	33783	HYST 455137	33929	GEM 5976S	3402280575	TROS 3210
33700	SKF 415894	3379282	GMC 416654	3393	TIMKE 3393	34023206	TROS 416273
33701	C-R 412473	3379282	GMC 455012	3393RC	SUL 415938	340232075	TROS 416273
33701	C-R 415894	3379283	GMC 473473	3394333	PEERC 450194	34023208	TROS 416273
33701	SKF 412473	33793D	IH 416153	3394333	PEERC 473010	340236075	TROS 415988
33701	SKF 415894	3379OS	JN-MN 416158	3394345	PEERC 450067	34024006	TROS 415458
3370619	OSHKO 415937	337PKG	TIMKE 337PKG	3394345	PEERC 473228	34024006	TROS 475458
33711	C-R 412473	337R	TIMKE 337PKG	33949	DENCO 415991	340240075	TROS 415458
33711	C-R 415894	33807	C-R 455249	33949	DENCO 455146	340240075	TROS 455003
33711	SKF 412473	33807	SKF 455249	3395	TIMKE 3395	34024008	TROS 415458
33711	SKF 415894	3381858	GMC 417501	33950	DENCO 415960	34024008	TROS 455003
33712	C-R 412473	33821	C-R 416321	33950	DENCO 455009	34024008C	TROS 415458
33712	C-R 415894	33821	CHERY 470358	339617	WAGMA 412861	34024008C	TROS 455003
33712	SKF 412473	33821	CHERY 473231	339814	WHITE 450025	3402401125	TROS 415003
33712	SKF 415894	33821	SKF 416321	339814	WHITE 471553	3402401125	TROS 415458
3371222	GMC 415035	3382355	GMC 415379	33982	NEWPR 710627	34024012	TROS 415458
3371222	GMC 415953	3382355	GMC 455379	3398B	JN-MN 417316	34024012	TROS 475458
33721	GARLK 417211	3382835	GMC 416077	3398B	JN-MN 455004	340248075	TROS 415984
337240	PEERC 470163	338348R91	IH 411376	3398OS	JN-MN 417316	340248095	TROS 415984
337240	PEERC 471766	338349R91	IH 411376	3398OS	JN-MN 455004	34025	GARLK 415035
3372K	FORD 410102	338362	JAC 472397	3399	LABEQ 471760	34025	GARLK 415953
33733	GARLK 416345	338366R91	IH 481073	339965C1	IH 5065	34027	SPICE 5778
33735	C-R 417191	33837	C-R 415025	339B22407	TROS 415857	340271	SPICE 5778
33735	C-R 455165	33837	SKF 415025	339PKG	TIMKE 339PKG	3402RC	SUL 417191
33735	SKF 417191	338394R91	IH 471564	339R	TIMKE 339PKG	34035	GARLK 417356
33735	SKF 455165	338490R91	IH 472070	33MAK1	OTISE 450867	3403552	HR-DV 471442
3373OS	JN-MN 55301S	338493R91	IH 415995V	33MAK1	OTISE 470898	340356	TIMKE 340356
33741	CHERY 470163	338494R91	IH 412473	33MBP	OTISE 416107	340385	TIMKE 340385
33741	CHERY 471766	338494R91	IH 415894	33MBP	OTISE 455073	340387	TIMKE 340387
33741	SPICE 471795	3385	TIMKE 3385	33MCJ1	OTISE 472179	340398	NATL 351267
33742	CHERY 410520	3385	UNIVE 417353	34	BL-KN 473243	340398	NATL 471267
33742	CHERY 471272	338512R91	IH 417354	3400	LABEQ 415449	3404	TIMKE 3404
337426N	TIMKE 337426N	338540R91	IH 415192N	3400	LABEQ 455147	340400	TIMKE 340400
3374299	GMC 450332	338549R91	IH 416404	340009S	TIMKE 340009S	340412R91	IH 410708
33745	GARLK 415697	338588R91	IH 415304	34008	NEWPR 2465	340413	TIMKE 340413
3374775	GMC 471765	338588R91	IH 476470	340098	VICK 417600	340413R91	IH 470351
337501	WHITE 470064	338589R91	IH 472185	3400D5	WHITE 410987	340430	WHITE 450593
337501	WHITE 471821	338590R91	IH 470380	3400D5	WHITE 450103	340435	NATL 240435
3375042	HR-DV 6863S	3386	IDECO 415138	34010	GARLK 415035	340435	NATL 350435
337577	WHITE 412871	33861	C-R 710767	34010	GARLK 415953	34046	EATON 370021A
337577	WHITE 450329	33861	SKF 710767	340106C91	IH 415060	340469	TIMKE 340469
337619	PEERC 450067	3386221	GMC 416047	340106C92	IH 415060	340483	TIMKE 340483
337619	PEERC 473228	3386221	GMC 416332	340107C91	IH 415351	340495	TIMKE 340495
33763	GARLK 417366	33866	C-R 416327	340107C92	IH 415351	340541	WHITE 450030
3376315	GMC 417497	33866	SKF 416327	340120	TIMKE 340120	340541	WHITE 474253
337647	PEERC 470163	3387168	GMC 474278	340136	TIMKE 340136	34055	GARLK 417357
337647	PEERC 471766	3387168	GMC 480356	340141	NATL 350954	3405RC	SUL 471466
33768	GEM 471267	338725C91	IH 416706	340141	NATL 470954	3406RC	SUL 471466
3376RC	SUL 417488	3387499	GMC 471138	340151	TIMKE 340151	340724	TIMKE 340724
337711C91	IH 456618	338815R91	IH 471785	340179C91	IH 370021A	340734	NATL 343186
337711C92	IH 456618	338817R91	IH 417351	340188	WHITE 417316	34075	GARLK 416130

INTERCHANGE SECTION

COMPETITIVE INTERCHANGES

Mfr No.	Mfr.	National	Mfr No.	Mfr.	National	Mfr No.	Mfr.	National	Mfr No.	Mfr.	National
340771	TIMKE	340771	34206	SPICE	8430S	34338	SKF	417493	3455B	JN-MN	415991
340787	TIMKE	340787	34206	VIC	8430S	3433B	JN-MN	450183	3455B	JN-MN	455146
340797	TIMKE	340797	342111	DEVIL	450185	3433B	JN-MN	472179	3458S	GIB	473235
340815	TIMKE	340815	342111	DEVIL	473229	343499	WHITE	471549	3459952	CHRY5	370001A
340817	TIMKE	340817	342118	WHITE	417484N	343500	WHITE	471137	3459952	CHRY5	380001A
340823	TIMKE	340823	342118	WHITE	455322N	343539R91	IH	471224	3459S	GIB	471870
340826	TIMKE	340826	342298	WHITE	410102	343548R91	IH	471255	3459S	GIB	471883
340827	TIMKE	340827	3422OS	JN-MN	470189	343715R91	IH	471692	3459S	TIMKE	3459
340835	TIMKE	340835	3422OS	JN-MN	471692	34383	C-R	455858	345PKG	TIMKE	345PKG
340847	TIMKE	340847	342346	WHITE	471689	34383	SKF	455858	345R	TIMKE	345PKG
340849	TIMKE	340849	342357	HYST	417537	34384	C-R	370047A	346306	ELRNG	224250
340850	TIMKE	340850	3424OS	JN-MN	450311	34384	SKF	370047A	34610	C-R	5287
340853	TIMKE	340853	342517	TIMKE	342517	34386	C-R	370047A	34610	SKF	5287
340872	TIMKE	340872	34255	GARLK	416556	34386	SKF	370047A	34611	C-R	3772
340876	WHITE	417159	34255	GARLK	472157	343861	PEERC	470328	34611	SKF	3772
3408RC	SUL	470712	34256	C-R	418029	343861	PEERC	481213	34611	SPICE	442380
34090	EATON	614743	34256	C-R	455499	343862	PEERC	350414	34612	SPICE	416273
340900	TIMKE	340900	34256	SKF	418029	343862	PEERC	472311	34612	VIC	416273
340927	TIMKE	340927	34256	SKF	455499	34387	C-R	370047A	34615	SPICE	9316
340927C91	IH	415085	342613	TIMKE	342613	34387	SKF	370047A	3461793	GMC	4175
340927C91	IH	456648	342637	WHITE	415041	3438N	WMG	410163	3461895	CHRY5	6960
340928C91	IH	455008	34270	LEECE	450082	3438N	WMG	471766	34625	GARLK	415138
340929C91	IH	415437	34270	LEECE	473238	34395	C-R	710569	34631	CATER	471765
340929C91	IH	455173	34275	GARLK	415196	34395	SKF	710569	34631	TMTR	471765
340930	TIMKE	340930	34279	C-R	417492	34398	C-R	417494	34634	GEM	240356
340D2	WHITE	6638S	34279	SKF	417492	34398	SKF	417494	34645	GARLK	417247
340D4	WHITE	410316	3427RC	SUL	450085	343PKG	TIMKE	343PKG	34663	C-R	710860
340D4	WHITE	472636	3427RC	SUL	470530	343R	TIMKE	343PKG	34663	SKF	710860
340PKG	TIMKE	340PKG	342805	TIMKE	342805	34407	C-R	455026	34666	C-R	710761
340R	TIMKE	340PKG	34282	C-R	417492	34407	SKF	455026	34666	SKF	710761
341022	TIMKE	341022	34282	SKF	417492	34419	SPICE	481837	346738R91	IH	100494
341079C91	IH	415137	34283	C-R	417492	34419	VIC	481837	346738R91	IH	416470N
341079C91	IH	418028	34283	SKF	417492	344192	SPICE	473228	346812R91	IH	471692
3411035	WOOL	473473	34294	CHERY	473245	344192	SPICE	481837	346PKG	TIMKE	346PKG
34115	C-R	228700	34295	CHERY	455151	344278	GMC	473204	346R	TIMKE	346PKG
34115	SKF	228700	34297	GARLK	416891	3444538	VOLVO	712692	34700	C-R	2055
3411WA	OSHKO	55353	342PKG	TIMKE	342PKG	34449	CASE	471570	34700	SKF	2055
34120	C-R	228700	342R	TIMKE	342PKG	3444E	GOODM	415196	347150C91	IH	417365
34120	SKF	228700	34302	GARLK	416135	344531C91	IH	472397	34718	EATON	470565
341293	WAGMA	416112	34304	DENCO	470625	34455	GARLK	416888	347235R91	IH	471785
3415	EATON	473215	343099	TIMKE	343099	34474SA	TRSCM	455858	347245R91	IH	471785
3416	EATON	470059	343101	TIMKE	343101	34475	GARLK	416153	34739	WAYNE	471787
3416	EATON	470380	343104	TIMKE	343104	344867	GUY	470120	34744	WAYNE	450025
3417	EATON	411253	343105	TIMKE	343105	344867	GUY	471224	34744	WAYNE	471553
3417	EATON	450099	343123	TIMKE	343123	3448OS	JN-MN	416271	347451	GMC	710005
341707	WHITE	450365	34317H	DIA	340120	34498	GARLK	416892	347497	WHITE	471267
341707	WHITE	470898	34317W	DIA	240151	3449816	FORD	3774	347568R91	IH	473239
3418494	CHRY5	3103	343185	TIMKE	343185	3449B	JN-MN	416654	347569R91	IH	473239
3418495	CHRY5	3103	343186	TIMKE	343186	3449B	JN-MN	455012	347570R91	IH	415138
34188	EATON	415085	34319	SPICE	415960	344PKG	TIMKE	344PKG	347583R91	IH	415234
34188	EATON	456648	34319	SPICE	455009	344R	TIMKE	344PKG	347652R91	IH	415086N
341PKG	TIMKE	341PKG	34319	VIC	415960	344RC	SUL	455032	347652R91	IH	417487
341R	TIMKE	341PKG	34320H	IH	450078	345035	TIMKE	345035	3476S	TIMKE	3476
341SR52	MACK	370001A	34320H	IH	473444	345146	TIMKE	345146	347804R91	IH	415138
341SR52	MACK	380001A	343229	WHITE	450095	345303	WHITE	45637S	347PKG	TIMKE	347PKG
341SR31	MACK	370021A	343229	WHITE	473464	34531	WAYNE	450489	347R	TIMKE	347PKG
342093	ELRNG	716102	3432691	CHRY5	5124	34531	WAYNE	473244	3480	DICO	204020
34202	CUSH	450025	34336	C-R	417493	345327	WHITE	473215	3480	DICO	204505
34202	CUSH	471553	34336	SKF	417493	34539	HYST	416158	34820	HYST	415007
342055	WHITE	471354	34338	C-R	417493	3455	NATEN	417546	34823208	TROS	455079

INTERCHANGE SECTION

COMPETITIVE INTERCHANGES



Mfr No.	Mfr. National	Mfr No.	Mfr. National	Mfr No.	Mfr. National	Mfr No.	Mfr. National
34823608	TROS 417481	34889	C-R 415991	350214	CABOT 411245	3505509	GMC 5756
34824008	TROS 417343	34889	SKF 415146	350214	CABOT 455096	350567	TIMKE 350567
34824308	TROS 7780N	34889	SKF 415991	350214	GR-DV 411245	350567C91	IH 473228
34824408	TROS 455151	34890	C-R 5965	350214	GR-DV 455096	350570	WHITE 475012N
34824804	TROS 46997S	34890	SKF 5965	350215	NATL 471646	350572	TIMKE 350572
34824808	TROS 417316	34891	C-R 415991	350216	ALLCH 415449	35058	C-R 370001A
3482481025	TROS 417316	34891	C-R 415991N	350216	ALLCH 455147	35058	C-R 376590A
34824812	TROS 415004	34891	SKF 415991	350216	CABOT 415991	35058	C-R 380001A
34824812	TROS 417316	34891	SKF 415991N	350216	CABOT 455146	35058	SKF 370001A
34825208	TROS 455005	34892	C-R 415991V	350216	CLARK 415449	35058	SKF 376590A
34825608	TROS 471344	34892	SKF 415991V	350216	CLARK 455147	35058	SKF 380001A
34825610	TROS 417344	348PKG	TIMKE 348PKG	350216	GR-DV 415449	35059	C-R 370001A
34825610	TROS 455006	348R	TIMKE 348PKG	350216	GR-DV 455147	35059	C-R 380001A
3482561025	TROS 417344	3491945	MOPAR 340724	350216K	GOODM 415449	35059	SKF 370001A
3482561025	TROS 455006	34928	C-R 710454	350216K	GOODM 455147	35059	SKF 380001A
34825616	TROS 417344	34928	SKF 710454	350218	CLARK 415302	3506	IRON 330385
34826008	TROS 416956	349295C1	IH 456744N	35029	C-R 415437	3506	UNIVE 455037
34830006	TROS 417349	3492V	TIMKE 3492V	35029	C-R 455173	35060	C-R 380001A
34830008	TROS 415281N	3496234	CHRY5 2287	35029	HYST 417181	35060	SKF 380001A
34835	C-R 710029	3496557	CHRY5 417158	35029	SKF 415437	350609	TIMKE 350609
34835	SKF 710029	3496557	MOPAR 417158	35029	SKF 455173	35062	C-R 370001A
34848	C-R 446927	34967	C-R 345146	35030	GARLK 415725	35062	C-R 380001A
34848	C-R 45525S	34967	SKF 345146	35030	HYST 417605	35062	SKF 370001A
34848	SKF 446927	34968	SPICE 473229	350319	NATL 481163	35062	SKF 380001A
34848	SKF 45525S	34971	C-R 370132A	35035	AMC 471570	350645	ADAMS 412119
34857	C-R 418029	34971	SKF 370132A	350355	NATL 471538	350645	ADAMS 450101
34857	SKF 418029	34972	C-R 370132A	350363	NATL 473234	350645	LETN 412119
34860	C-R 416624	34972	SKF 370132A	350364	TIMKE 350364	350645	LETN 450101
34860	SKF 416624	34975	C-R 370132A	350385	NATL 330385	35066	C-R 370001A
34861	C-R 416624	34975	SKF 370132A	350394	TIMKE 350394	35066	C-R 380001A
34861	SKF 416624	34980	C-R 370132A	35040	C-R 476424N	35066	SKF 370001A
34867	C-R 416624	34980	C-R 370169A	35040	GARLK 415725	35066	SKF 380001A
34867	SKF 416624	34980	SKF 370132A	35040	SKF 476424N	350679	TIMKE 350679
34867	SPICE 416624	34980	SKF 370169A	350414	TIMKE 350414	350679R91	IH 6312
34868	C-R 416624	34985	C-R 417196	35042	C-R 415437	3507	UNIVE 416271
34868	SKF 416624	34985	SKF 417196	35042	SKF 415437	35071	NOK 2146
3488	CR-CF 411253	34985	VIC 417196	350435	TIMKE 350435	35072	C-R 370001A
3488	CR-CF 450099	34994	C-R 370169A	3504679	GMC 6064	35072	C-R 370002A
3488	MURPH 473446	34994	SKF 370169A	350476	ADAMS 471750	35072	C-R 380001A
34882	C-R 415991N	34999	C-R 370169A	350493	WHITE 450400	35072	SKF 370001A
34882	SKF 415991N	34999	SKF 370169A	350502	ADAMS 455151	35072	SKF 370002A
34883	C-R 712750	349PKG	TIMKE 349PKG	350502	LETN 455151	35072	SKF 380001A
34883	SKF 712750	349R	TIMKE 349PKG	350503	ADAMS 472439	350737R91	IH 450316
348848C91	IH 473228	35	BL-KN 413246	350504	ADAMS 470120	350737R91	IH 472636
348848C91	IH 481837	35	BL-KN 413246N	350504	ADAMS 471224	35075	C-R 370002A
348849C91	IH 9316	3500	GEM 323138	350504	LETN 470120	35075	C-R 370013A
34885	C-R 9339S	35000	C-R 370169A	350504	LETN 471224	35075	C-R 380001A
34885	SKF 9339S	35000	SKF 370169A	350504	WABCO 471224	35075	NATL 416476
34886	C-R 415991	3500495	WHITE 450400	350535	ADAMS 417316	35075	SKF 370002A
34886	C-R 455146	35009N	NATL 415009N	350535	ADAMS 455004	35075	SKF 370013A
34886	NEWPR 710749	35012	C-R 415437	350535	LETN 417316	35075	SKF 380001A
34886	SKF 415991	35012	SKF 415437	350535	LETN 455004	3507585	CHRY5 6808N
34886	SKF 455146	35012N	NATL 475012N	350537	WHITE 470045	350769R91	IH 6312
34887	C-R 415991	350140	NATL 471413	350537	WHITE 476838	35080	C-R 415027H
34887	SKF 415991	350156	TIMKE 350156	350539	ADAMS 470059	35080	GARLK 416865
34888	C-R 415991	35020	C-R 415437	350539	ADAMS 470380	35080	SKF 415027H
34888	C-R 455146	35020	SKF 415437	350539	LETN 470059	35082	C-R 415027
34888	SKF 415991	350203	NATL 471443	350539	LETN 470380	35082	C-R 455027
34888	SKF 455146	350203	NATL 481443	350539	WABCO 470059	35082	SKF 415027
34889	C-R 415146	350212	GR-DV 416271	350539	WABCO 470380	35082	SKF 455027

INTERCHANGE SECTION

COMPETITIVE INTERCHANGES

Mfr No.	Mfr.	National	Mfr No.	Mfr.	National	Mfr No.	Mfr.	National	Mfr No.	Mfr.	National
350823	TIMKE	350823	351270	NATL	471270	352122	RELEE	471272	35350	GARLK	417358
35083	C-R	415027N	351271R91	CASE	470712	35220	FMC	415035	3535A	JOHND	472924
35083	SKF	415027N	351276R91	IH	471765	35220	FMC	455035	35374D	IH	481443
3508542	HR-DV	471192	351281	NATL	471281	3522542	HR-DV	470059	3539RC	SUL	417171
35086	C-R	417495	35130	GARLK	417278	3522542	HR-DV	470380	35400	GARLK	415645
35086	SKF	417495	351315	NATL	472705	352270A	CHRYS	470163	354040	TIMKE	354040
350891R91	IH	472560N	351354	NATL	471354	352270A	CHRYS	471766	35405	C-R	710189
350891R91	IH	50151S	3514312	VOLVO	355660H	352270A	DODM	471766	35405	SKF	710189
350892R91	IH	471267	3514312	VOLVO	710803	3523039	HR-DV	472185	35407	C-R	229004
3509	GEM	450519	35143122	VOLVO	710803	352352	NATL	6703S	35407	SKF	229004
3509	GEM	471271	351442	NATL	471442	352354	TIMKE	352354	35409	C-R	229005
3509	ROSS	450519	351466	NATL	340009S	35236	HYST	472299	35409	SKF	229005
3509	ROSS	471271	351466	TIMKE	351466	352369	HYST	415725	35409S	PETTI	415498
3509042	HR-DV	470120	351487	TIMKE	351487	35239	SPICE	9912	3540RC	SUL	416738
3509042	HR-DV	471224	3514943	VOLVO	223020	35239	VIC	9912	3540RC	SUL	450096
350909	TIMKE	350909	35149430	VOLVO	223020	352407	WHITE	410316	35410	C-R	229010
350918	NATL	473241	35149434	VOLVO	223020	352407	WHITE	472636	35410	SKF	229010
350936	TIMKE	350936	35149DA	IH	410085	352412	WHITE	415147	354115	RELEE	416664
350936N	WMG	350936	35149DA	IH	470530	352412	WHITE	415449	35412	C-R	229005
350954	TIMKE	350954	3515137	CHRYS	331227H	352477C91	IH	5778	35412	SKF	229005
35096	C-R	415559	3515138	CHRYS	331228H	352488	GMC	5070	35412VB	TRSCM	446927
35096	SKF	415559	3515174	HR-DV	481163	352541	MERCM	352541	35414	C-R	229005
350974	NATL	350974	351526	NATL	471526	352541	TIMKE	352541	35414	SKF	229005
350974	TIMKE	350974	3515383	CHRYS	7300S	35256	SPICE	417487	354176C91	IH	5778
35098	C-R	6612S	3515384	CHRYS	2506	352560	TIMKE	352560	35418	C-R	710571
35098	SKF	6612S	351552	NATL	471558	35266	DENCO	415088	35418	SKF	710571
350983	NATL	472179	351554	NATL	471554	35266	DENCO	455088	354214	SUL	417073
35102	C-R	370001A	3515569	CHRYS	472164	3528090C1	NAVST	370001A	354216K	FAIRB	415001
35102	C-R	380001A	351567	NATL	471567	352847	MANT	415086N	354216K	FAIRB	455001
35102	SKF	370001A	351570	NATL	471570	352847	MANT	417487	35429	SPICE	2064
35102	SKF	380001A	351571	NATL	471571	35298	C-R	710685	35429	VIC	2064
351028	TIMKE	351028	3516129	VOLVO	710215	35298	SKF	710685	3543	TIMKE	3543
35103	C-R	370001A	351643	NATL	471643	352998	NATL	473231	354309	WHITE	450066
35103	C-R	380001A	351689	NATL	471689	353840	ELRNG	710811	354309	WHITE	473367
35103	SKF	370001A	3517	NATL	9845	353990	ELRNG	1108	354316	WHITE	471466
35103	SKF	380001A	351760	NATL	471760	3530	UNIVE	370019A	3543A	HERCU	45637S
35107	C-R	417496	351763	NATL	471763	35304	WAYNE	240356	3543D5	WHITE	410737
35107	SKF	417496	351802C92	IH	370023A	353052	RELEE	415303	35448	GMC	471570
3511035	C-W	415449	351802C92	NAVST	380023A	353079X1	MASSE	415449	35450	GARLK	417359
3511035	C-W	455147	3519D5	WHITE	415458	353079X1	MASSE	455147	354514R91	IH	470045
3511035	WOOL	415449	3519D5	WHITE	455003	353085	RELEE	413248	354514R91	IH	476838
3511035	WOOL	455147	3520046	HR-DV	471763	35310	GARLK	417262	35451D	IH	471192
351108R1	IH	413469	352009	NATL	472397	35311	SPICE	416273	35454PTA	TRSCM	415991
351108R91	IH	413469	352039	CONTI	416956	353111	SPICE	416273	35454PTA	TRSCM	415991N
35111	C-R	455396	3520472	VOLVO	224040	353120	TIMKE	353120	354598R91	IH	450269
35111	SKF	455396	35204726	VOLVO	224040	3531207	VOLVO	710790	35460	TROS	471141
351113	RELEE	470898	352068	CONTI	451583	35312073	VOLVO	710790	3546D	GOODM	415196
35112	C-R	710449	35206820	VOLVO	5778	353128	NATL	470328	3546E	GOODM	415196
35112	SKF	710449	3520746	VOLVO	221207	353128	NATL	481213	3547000	VOLVO	716102
351123	RELEE	473237	35207463	VOLVO	221207	35313	SPICE	4250	35474TA	TRSCM	455396
35116	C-R	710585	3520753	VOLVO	223830	353134	SPICE	4250	3549226	VOLVO	710719
35116	SKF	710585	35207539	VOLVO	223830	353132	TIMKE	353132	35492263	VOLVO	710719
351181	NATL	481181	352080	NATL	472164	353136	NATL	471737	3549392	CHRYS	5414
351181	NATL	481181N	352080R91	IH	470548	353137	TIMKE	353137	35494SA	TRSCM	455027
35120	C-R	710188	352080R91	IH	470625	353138	NATL	323138	355067	RELEE	476470
35120	SKF	710188	35208620	VOLVO	4941V	353141	TIMKE	353141	355082	NATL	415082
351206	NATL	473237	3521	GEM	351267	353183R91	IH	471466	35510	FI-CO	40162S
351224	NATL	471224	3521	GEM	471267	353188	NATL	470380	35511	FI-CO	474255
351264	NATL	471264	352113	RELEE	470605	353193	NATL	471765	35511	SPICE	5329
351267	TIMKE	351267	352118	CONTI	6324S	35347	WHITE	417159	35511	VIC	5329

INTERCHANGE SECTION

COMPETITIVE INTERCHANGES



Mfr No.	Mfr.	National	Mfr No.	Mfr.	National	Mfr No.	Mfr.	National	Mfr No.	Mfr.	National
35512	SPICE	472164	35658	DENCO	470625	357968R91	IH	471442	358798R91	IH	6312
35512	VIC	472164	3566	GMC	471192	357969R91	IH	417344	358801R91	IH	472560N
355121	VIC	472164	35676	C-R	417498	357970R91	IH	471192	358801R91	IH	50151S
355131R91	IH	450069	35676	SKF	417498	357971R91	IH	410312N	358802R91	IH	471267
355131R91	IH	473232	35680	GARLK	416107	357972R91	IH	410708	358803R91	IH	413469
35514TA	TRSCM	417495	356887R91	IH	471570	357973R91	IH	410059	358804R91	IH	471765
3553	GEM	6835S	356923	NATL	415379	357973R91	IH	470380	358805R91	IH	471570
3553	TIMKE	3553	356923	NATL	455379	357974R91	IH	415196	358806R91	IH	450048
355488	GMC	5070	35697	SPICE	417480	357975R91	IH	417344	358807R91	IH	473213
3554B	JN-MN	450301	35697	SPICE	455860	357976R91	IH	471192	358808R91	IH	450066
3554B	JN-MN	472397	356RC	SUL	450067	357977R91	IH	410708	358808R91	IH	473367
355526	NATL	417350	356RC	SUL	473228	357978R91	IH	410059	358809R91	IH	471750
3555556282	CHRYSLER	710863	356W525	CONE	5532	357978R91	IH	470380	358810R91	IH	450115
35556	C-R	415498	357	IDECO	455480	35799	CATER	471737	358810R91	IH	473467
35556	SKF	415498	357405641	AUDI	1962	357PKG	TIMKE	357PKG	358812R91	IH	6200
355660H	TIMKE	355660H	357405641	VW	1962	357R	TIMKE	357PKG	358813R91	IH	452222
355669	TIMKE	355669	357405641C	AUDI	1962	358019	WHITE	415995	358814R91	IH	412119
3556B	JN-MN	471195	357405641C	VW	1962	358019	WHITE	455013	358814R91	IH	450101
3556B	JN-MN	481195	357501641B	VW	1962	358020	WHITE	417181	358815R91	IH	471765
3556LUP	JN-MN	471195	357501641B	AUDI	1962	3580723	CHRYSLER	5121	358817R91	IH	200600
3556LUP	JN-MN	481195	357501641B	SEAT	1962	3580975	CHRYSLER	6815	358819R91	IH	417316
355732	TIMKE	355732	357501641C	AUDI	1962	35810	C-R	9584	358819R91	IH	455004
355821	NATL	327303	357501641C	VW	1962	35810	SKF	9584	358821R91	IH	471649
355851	WHITE	470027	357037R91	IH	450316	358228	WHITE	450291	358822R91	IH	472439
355851	WHITE	471554	357037R91	IH	472636	358228	WHITE	471141	358823R91	IH	471419
35593	C-R	415711	35710	GARLK	417361	35828	C-R	710056	358823R91	IH	473367
35593	SKF	415711	35716	C-R	55028	35828	HYST	416654	358824R91	IH	473421
3560459	HYST	200870	35716	SKF	55028	35828	SKF	710056	358825R91	IH	6163S
35608	HYST	415984	357203R91	IH	450365	3583	WOODB	410163	358826R91	IH	411394
35620	GARLK	417254	357203R91	IH	470898	3583	WOODB	471766	358826R91	IH	450317
356224075	TROS	417480	35722	ALLCH	415138	35836	C-R	710237	358827R91	IH	418029
356224075	TROS	455860	35723	SPICE	5778	35836	SKF	710237	358827R91	IH	455499
356232075	TROS	415082	35723	SPICE	5778V	35850	GARLK	417362	358828R91	IH	455500
356240075	TROS	415007	35724	SPICE	6808N	358765R91	IH	450066	358829R91	IH	455005
356244075	TROS	455008	35724	VIC	6808N	358765R91	IH	473367	358830R91	IH	456105
35624807	TROS	415009	35725	SPICE	9316	358766R91	IH	471750	358833R91	IH	6312
35624807	TROS	415960	35725V	SPICE	9316	358767R91	IH	450115	358836R91	IH	472560N
356248075	TROS	415960	35731	CATER	473438	358767R91	IH	473467	358836R91	IH	50151S
356248075	TROS	455009	35738	HYST	417205	358768R91	IH	416738	358837R91	IH	471267
35624807C	TROS	415009	3574	DICO	205004	358768R91	IH	450096	358838R91	IH	471765
35624807C	TROS	415960	357424	SUL	415138	358769R91	IH	200640	358839R91	IH	470548
35624808	TROS	415960	3575	UNIVE	370005A	358770R91	IH	415001	358839R91	IH	470625
35624808	TROS	455009	357672R91	IH	412119	358770R91	IH	455001	35886	HYST	450183
35624810	TROS	475009N	3577303	CHRYSLER	5414	358772R91	IH	6200	35886	HYST	472179
35624812	TROS	415960	357769R91	IH	450069	358774R91	IH	412119	358873R91	IH	452222
356252075	TROS	417485	357769R91	IH	473232	358774R91	IH	450101	358896R91	IH	450316
3563042	HR-DV	470059	357770R91	IH	450082	358775R91	IH	471765	358896R91	IH	472636
3563042	HR-DV	470380	357770R91	IH	473238	358777R91	IH	416444	3588R	JN-MN	416888
35645	HYST	417601	357773R91	IH	450069	358780R91	IH	417316	3588R	JN-MN	455200
35647	DENCO	415995	357773R91	IH	473232	358780R91	IH	455004	35890	GARLK	417363
35647	DENCO	455013	357774R91	IH	473238	358783R91	IH	472439	358922C91	IH	415960
35649	C-R	417497	3577B	JN-MN	455476	358784R91	IH	471419	358922C91	IH	455009
35649	DENCO	470163	357830C91	IH	417485	358784R91	IH	473367	358981	WHITE	416288
35649	DENCO	471766	3578447	CHRYSLER	8609	358785R91	IH	473421	359260	ELRNG	710786
35649	SKF	417497	357928R91	IH	412119	358787R91	IH	6163S	359042R91	IH	470120
35650	DENCO	471820	357937R91	IH	410059	358790R91	IH	473010	359042R91	IH	471224
35650	GARLK	417360	357937R91	IH	470380	358791R91	IH	411394	35905	C-R	5279
356502R91	IH	472287	357966R91	IH	416380	358791R91	IH	450317	35905	C-R	710056
356503R91	IH	472287	357967R91	IH	450082	358794R91	IH	455005	35905	SKF	5279
35658	DENCO	470548	357967R91	IH	473238	358795R91	IH	456105	35905	SKF	710056

INTERCHANGE SECTION

COMPETITIVE INTERCHANGES

Mfr No.	Mfr.	National	Mfr No.	Mfr.	National	Mfr No.	Mfr.	National	Mfr No.	Mfr.	National
359051R91	IH	473215	359922C91	NAVST	380048A	360438R91	IH	450869	36158	SKF	456744N
359056R91	IH	470380	359926C92	IH	370023A	360440R91	IH	416654	361648	GMC	483488
35907	NEWPR	714654	359926C92	NAVST	380023A	360440R91	IH	455012	36166	C-R	415389
35908F	DIA	5408	359928C92	IH	415064	360440R92	IH	416654	36166	SKF	415389
35909F	DIA	5408	359951R92	IH	473517	360440R92	IH	455012	361746	GMC	3357
3591	TIMKE	3591	359952R91	IH	473517	360457R91	IH	417316	36177	C-R	416047
35910	GARLK	416666	359952R92	IH	473517	360457R91	IH	455004	36177	C-R	416332
359126R91	IH	471869	35A10019	MINNM	472258	3604B	JN-MN	455462	36177	SKF	416047
359126R91	IH	473459	35A12244	WHITE	417254	36050	GARLK	415072	36177	SKF	416332
359126R93	IH	471869	35A3596	MINNM	340120	360507	WHITE	410694	36179	C-R	487397V
359126R93	IH	473459	35A4130	MINNM	470120	36060	VICK	6590S	36179	SKF	487397V
359126R94	IH	471869	35A4130	MINNM	471224	360662R91	IH	417350	3618	C-R	340827
359126R94	IH	473459	35A4130	WHITE	470120	360662R91	IH	455479	3618	SKF	340827
359167	GMC	3698	35A4130	WHITE	471224	360692R91	IH	472924	3618	TIMKE	3618
3591B	JN-MN	455195	35A4130EXP	MINNM	470120	360693R91	IH	410737	36185	C-R	416047
3591B	JN-MN	472157	35A4130EXP	MINNM	471224	360693R91	IH	450737	36185	C-R	416332
3592	TIMKE	3592	35A4461	MINNM	415003	360694R91	IH	471869	36185	SKF	416047
35925	GARLK	417364	35A4461	MINNM	415458	360694R91	IH	473459	36185	SKF	416332
359257R91	IH	470120	35A5174	MINNM	365008	360694R92	IH	471869	36186	C-R	416332
359257R91	IH	471224	35A5174	WHITE	365008	360694R92	IH	473459	36186	SKF	416332
359303R91	IH	471567	35A6303	MINNM	6668S	3607	NATL	3907	3619687	CHRY	6186
359309R91	IH	471567	35A6404	MINNM	327303	3608RC	SUL	471866	362	BORGW	6988H
35938	SPICE	2146	35A8008	MINNM	471442	3609	NATL	1962	362730	ELRNG	710790
35938	VIC	2146	35A8008	WHITE	471442	360964R92	IH	471869	362740	ELRNG	710788
359381	SPICE	2146	35A8629	WHITE	476470	360964R92	IH	473459	362000	MECH	370030A
3593B	JN-MN	455576	35H021	SHOV	474276	360A26010	TROS	35949N	36202	CUSH	6832S
359419	WHITE	417159	35H027	SHOV	474276	361000	MECH	370003A	36202E	CUSH	205004
359448R91	IH	473215	35P129	WHITE	45825S	361000	MECH	380003A	36202F	CUSH	205004
359449R91	IH	470380	35P2744	WHITE	472258	36101	TROS	5756	36204	C-R	710894
35947	DENCO	471466	35X62X9SC	TRSCM	1955	361017	LILIS	471192	36204	SKF	710894
359496	WHITE	415016N	36	BL-KN	415988	361025R91	IH	417316	36208M	DIA	455151
359497	WHITE	416288	36005	C-R	229210	361025R91	IH	455004	3620B	JN-MN	470548
35949N	TIMKE	35949N	36005	SKF	229210	361049R91	IH	410737	3620B	JN-MN	470625
359506R91	IH	470380	36006J	DIA	412943	361049R91	IH	450737	362119R91	IH	450076
359547	GMC	224520	36006M	DIA	411500	36106	WAYNE	470596	362119R91	IH	470334
359559R91	IH	470380	360076R92	IH	470045	3610RC	SUL	417073	362119R92	IH	450076
359588R91	IH	471567	360076R92	IH	476838	3611035	WOOL	418028	362119R92	IH	470334
3596	CHAMP	415991	360135R91	IH	470059	3611035	WOOL	455137	362119R93	IH	450076
3597	CHAMP	417366	360135R91	IH	470380	361165	GMC	9613S	362119R93	IH	470334
359786R91	IH	416738	360136R91	IH	415458	361170	HYST	455144	3621947	MOPAR	370048A
359786R91	IH	450096	360136R91	IH	455003	36120	C-R	39882	36220	C-R	415937
359787R91	IH	450043	360137R91	IH	471567	36120	SKF	39882	36220	SKF	415937
359787R91	IH	473419	3601B	JN-MN	455117	361248R91	IH	416654	36222	C-R	455260
359788R91	IH	200640	360251R91	IH	415001	361248R91	IH	455012	36222	SKF	455260
359789R91	IH	470059	360251R91	IH	455001	361248R92	IH	416654	362220	GR-DV	415458
359789R91	IH	470380	360252R91	IH	416444	361248R92	IH	455012	362220	GR-DV	455003
359790R91	IH	450183	360253R91	IH	450069	3612A	JN-MN	472354	362220K	SUL	415458
359790R91	IH	472179	360253R91	IH	473232	3612A	JN-MN	50395S	362220K	SUL	455003
3597B	JN-MN	450389	360254R91	IH	471570	36140	TROS	473450	362272C91	IH	471466
3597B	JN-MN	472492	360255R91	IH	450365	361400	MECH	370003A	36228	BUC-E	415234
359813R91	IH	450869	360255R91	IH	470898	361400	MECH	380003A	3622S	TIMKE	3622
35986	CONTI	416956	36030	GARLK	417365	36145	C-R	5277	36234	C-R	39813
3598F	OSHKO	470163	36030400	WHITE	473237	36145	SKF	5277	36234	SKF	39813
3598F	OSHKO	471766	360304B	HERCU	473237	36147	C-R	3909	362398R91	IH	417247
359917C91	IH	370001A	360374R91	IH	471466	36147	SKF	3909	362399R91	IH	450085
359917C91	IH	6638S	360375R91	IH	450083	36155	C-R	417698	362399R91	IH	470530
359917C91	NAVST	380001A	360375R91	IH	472924	36155	SKF	417698	3623B	JN-MN	416664
35992	CONTI	455079	360388R91	IH	450869	36157	C-R	417698	3623B	JN-MN	455364
359922C91	IH	370182A	3604	TIMKE	3604	36157	SKF	417698	3623RC	SUL	415066
359922C91	NAVST	370048A	360436R91	IH	473215	36158	C-R	456744N	362400	MECH	370030A

INTERCHANGE SECTION

COMPETITIVE INTERCHANGES



Mfr No.	Mfr. National	Mfr No.	Mfr. National	Mfr No.	Mfr. National	Mfr No.	Mfr. National
362400R91	IH 415066	3633979	CHRY5 370048A	36389	C-R 417500	364SZ112	MACK 351267
362401R91	IH 417316	3633979	CHRY5 370182A	36389	SKF 417500	364SZ112	MACK 471267
362401R91	IH 455004	3633979	CHRY5 380048A	36391	C-R 415832	364SZ118	MACK 240414
362402	SPICE 415458	36340	C-R 417355	36391	SKF 415832	364SZ119	MACK 415991
362402	SPICE 475458	36340	SKF 417355	363SH47	MACK 472636	364SZ122	MACK 471424
362402	VIC 415458	363400	MECH 370005A	36408	OLIVE 415995	364SZ129	MACK 410101N
362402	VIC 475458	3634349	CHRY5 6808N	36408	OLIVE 455013	364SZ136	MACK 475009N
362402R91	IH 416339	363511R91	IH 450083	3643321	CHRY5 7188S	364SZ13A	MACK 417181
362402R91	IH 455031	363511R91	IH 472924	36433VTB	TRSCM 456744N	364SZ14	MACK 323138
362403R91	IH 410987	363512R91	IH 455018	364341	SPICE 450291	364SZ145	MACK 472560N
362403R91	IH 450103	363512R91	IH 476470	364341	SPICE 471141	364SZ145	MACK 50151S
362405R91	IH 410694	363513R91	IH 450313	364341	VIC 450291	364SZ148	MACK 476500N
362406R91	IH 470027	363514R91	IH 450076	364341	VIC 471141	364SZ15	MACK 473473
362406R91	IH 471554	363514R91	IH 470334	364400	MECH 370178A	364SZ151	MACK 413469
362407R91	IH 450084	363514R92	IH 450076	364468R91	IH 470120	364SZ17	MACK 450316
362408R91	IH 471750	363514R92	IH 470334	364468R91	IH 471224	364SZ17	MACK 472636
362409R91	IH 415043	363514R93	IH 470334	364469R91	IH 471750	364SZ174	MACK 472475
362410R91	IH 416288	36352	ACF 415219	364470R91	IH 470059	364SZ18	MACK 450316
362411R91	IH 412119	36352	HYST 415219	364470R91	IH 470380	364SZ18	MACK 472636
362411R91	IH 450101	36352	SPICE 5131	364471R91	IH 470045	364SZ188	MACK 416364
362412R91	IH 450030	36356	C-R 370011A	364471R91	IH 476838	364SZ189	MACK 7866S
362412R91	IH 474253	36356	SKF 370011A	364472R91	IH 473215	364SZ34	MACK 472164
362413R91	IH 240009	36357	C-R 370011A	364473R91	IH 470045	364SZ35	MACK 416654
362414R91	IH 471466	36357	SKF 370011A	364473R91	IH 476838	364SZ35	MACK 455012
362420R91	IH 416288	36358	C-R 370011A	364474R91	IH 470059	364SZ35A	MACK 475012N
3625B	JN-MN 473245	36358	SKF 370011A	364474R91	IH 470380	364SZ36	MACK 475012N
362648	GMC 483488	363588	AL-KO 370219A	364475R91	IH 471750	364SZ38	MACK 450316
362767R91	IH 413246	36361	C-R 416125	364476R91	IH 470120	364SZ38	MACK 472636
362767R91	IH 413246N	36361	SKF 416125	364476R91	IH 471224	364SZ40	MACK 473228
36277	SPICE 415085	36361	SPICE 722108	364477R91	IH 473215	364SZ43	MACK 472394
36277	VIC 415085	363615	WAGMA 473010	3644D	GOODM 416888	364SZ44	MACK 410312N
36282	C-R 370012A	36362	SPICE 710068	3644D	GOODM 455200	364SZ45	MACK 472394
36282	SKF 370012A	36363	C-R 416125	3644F	GOODM 416888	364SZ47	MACK 450400
36285	C-R 370012A	36363	SKF 416125	3644F	GOODM 455200	364SZ52	MACK 415458
36285	SKF 370012A	36364	C-R 416125	3645	C-R 311189	364SZ52	MACK 455003
36289	C-R 55353	36364	SKF 416125	3645	SKF 311189	364SZ53	MACK 417316
36289	SKF 55353	36365	C-R 370011A	36454TA	TRSCM 415389	364SZ54	MACK 450095
3628B	JN-MN 415035	36365	SKF 370011A	364561	WHITE 474278	364SZ54	MACK 473464
3628B	JN-MN 455035	36366	SPICE 471271	364561	WHITE 480356	364SZ56	MACK 410308
362A	BORGW 6988H	36369	SPICE 416273	364578	WHITE 474276	364SZ56	MACK 450308
362F220	TRANG 415003	363716	WHITE 5751	36464TA	TRSCM 416047	364SZ59	MACK 471787
362F220	TRANG 415458	3637203	CHRY5 410496	36464TA	TRSCM 416332	364SZ61	MACK 415041
362RC	SUL 470163	3637228	CHRY5 481181	364692R91	IH 417350	364SZ62	MACK 476283N
362RC	SUL 471766	3637228	CHRY5 481181N	364692R91	IH 455479	364SZ66	MACK 450352
362W475	CONE 5167	363771R91	IH 413246	364707XX	TIMKE 3622	364SZ66	MACK 472164
363	IDECO 415035	363771R91	IH 413246N	364724R91	NAVST 450085	364SZ66A	MACK 450352
363	IDECO 455035	36378	C-R 370002A	364724R91	NAVST 470530	364SZ66A	MACK 472164
363000	MECH 370005A	36378	C-R 370012A	364759	WHITE 450593	364SZ70	MACK 480630
3630051	GMC 473179	36378	SKF 370002A	364800	GMC 3698	364SZ81	MACK 417344
36309F	DIA 450083	36378	SKF 370012A	364808	WHITE 472164	364SZ81	MACK 455006
36309F	DIA 472924	3638	TIMKE 3638	364861R91	IH 417350	364SZ83	MACK 417171
36314	C-R 417355	36382	C-R 417499	364861R91	IH 455479	364SZ84	MACK 471231
36314	SKF 417355	36382	SKF 417499	36487	SPICE 470682	364SZ86	MACK 471570
363157R91	IH 415027	363821R91	IH 472439	364871	SPICE 470682	364SZ88	MACK 471442
363157R91	IH 455027	36383	C-R 370012A	364874	WHITE 415001	364SZ88A	MACK 471442
3632	C-R 7929S	36383	C-R 370023A	3648E	GOODM 416154	364SZ90	MACK 472015
3632	SKF 7929S	36383	C-R 380023A	364SZ101	MACK 475380N	364SZ91	MACK 413246
3633416	CHRY5 323138	36383	SKF 370012A	364SZ109	MACK 471820	364SZ91	MACK 413246N
3633518	GMC 2043	36383	SKF 370023A	364SZ111	MACK 417484N	364SZ95	MACK 472015
363374C91	IH 482267	36383	SKF 380023A	364SZ111	MACK 455322	36500	HYST 473245

INTERCHANGE SECTION

COMPETITIVE INTERCHANGES

Mfr No.	Mfr.	National	Mfr No.	Mfr.	National	Mfr No.	Mfr.	National	Mfr No.	Mfr.	National
365008	TIMKE	365008	36650	SKF	710266	3686571	GMC	450666	36A2883661	GE	415281N
365046	WHITE	475009N	36658	C-R	355660H	3686593	GMC	414045	36SR13	MACK	370007A
36506	EATON	370023A	36658	SKF	355660H	36868	GMC	471705	374633	SPICE	452554N
36506	EATON	380023A	3667	TIMKE	3667	3687	C-R	330385	3707005	STEM	370013A
3650633	GMC	410987	3668B	JN-MN	413469	3687	SKF	330385	3707006	STEM	370002A
3650633	GMC	450103	3669156	GMC	412119	368723R91	IH	450076	3707007	STEM	370025A
3651493	GMC	415234	3669157	GMC	417316	368723R91	IH	470334	3707007	STEM	380025A
3652523	GMC	470606	3669157	GMC	455004	368724R91	IH	471869	3707007	STEM	386025A
36531	CHRYSLER	471231	366937C91	IH	475012N	368724R91	IH	473459	3707008	STEM	370029A
36536	MALL	350974	366982C91	IH	712937	368725R91	IH	416654	3707009	STEM	370002A
3653617	GMC	5M89	367	CHEL	470163	368725R91	IH	455012	3707011	STEM	370002A
3653618	GMC	411330N	367	CHEL	471766	36880	C-R	55030	3707013	STEM	370036A
365416R91	IH	450085	3670B	JN-MN	417316	36880	SKF	55030	3707013	STEM	370037A
365416R91	IH	470530	3670B	JN-MN	455004	368829R91	IH	455500	3707013	STEM	370349A
365434R91	IH	415449	367162R91	IH	470380	3688B	JN-MN	470403	3707013	STEM	380036A
365434R91	IH	455147	367163R91	IH	473215	3688B	JN-MN	470774	3707015	STEM	370192A
36544C	DIA	450194	3671B	JN-MN	450070	3689176	GMC	350394	3707016	STEM	370004A
36544C	DIA	473010	3671B	JN-MN	472185	3689176	GMC	473227	3707018	STEM	370008A
365458	WHITE	476283N	36727	SPEYER	204013	36897	GMC	470027	3707022	STEM	370026A
36549F	DIA	450076	36727	VICK	204013	36897	GMC	471554	3707023	STEM	370065A
36549F	DIA	470334	3672B	JN-MN	415449	3689758	GMC	472015	3707023	STEM	376590A
365525R91	IH	450040	3672B	JN-MN	455147	36898J	DIA	415371	3707023	STEM	380065A
365526R91	IH	450082	3673B	JN-MN	416706	36899R	DIA	415697	3707024	STEM	370107A
365526R91	IH	473238	3673B	JN-MN	455272	36899R	DIA	455547	3707025	STEM	370027A
365528R91	IH	473010	36740	C-R	416919	368D6	WHITE	415960	3707031	STEM	370036A
365576R91	IH	470120	36740	C-R	416919N	368D6	WHITE	455009	3707031	STEM	370349A
365576R91	IH	471224	36740	SKF	416919	368RC	SUL	470059	3707031	STEM	380036A
3655S	TIMKE	3655	36740	SKF	416919N	368RC	SUL	470380	3707043	STEM	370025A
365618	GMC	411330N	3674B	JN-MN	416654	369470	ELRNG	710849	3707043	STEM	380025A
3656536	GMC	6064	3674B	JN-MN	455012	369072	DIA	415991	3707043	STEM	386025A
3656537	GMC	6064	3675072	GMC	411330N	3691B	JN-MN	470064	3707044	STEM	370037A
3656538	GMC	6064	3675098	GMC	472439	3691B	JN-MN	471821	3707044	STEM	370338A
3656817	GMC	450666	36769J	DIA	473215	3692B	JN-MN	416271	3707046	STEM	370010A
3657616	GMC	471192	3677	TIMKE	3677	369316R91	IH	415001	3707048	STEM	370046A
365766R91	IH	450085	36770	C-R	417501	369316R91	IH	455001	3707049	STEM	370014A
365766R91	IH	470530	36770	SKF	417501	369317R91	IH	418029	3707055	STEM	370013A
365767R91	IH	415449	3677B	JN-MN	416047	369317R91	IH	455499	3707091	STEM	370107A
365767R91	IH	455147	3677B	JN-MN	416332	369318R91	IH	455500	3707095	STEM	370037A
365874	WHITE	415001	3678151	GMC	411330N	369319R91	IH	417316	3707095	STEM	370338A
3659486	CLARK	353141	367956R91	IH	340771	369319R91	IH	455004	3707097	STEM	370025A
3659486	GMC	353141	367957R91	IH	340771	369380R91	IH	7208S	3707097	STEM	380025A
3659542	GMC	410085	3680	C-R	330385	3693B	JN-MN	416339	3707097	STEM	386025A
3659542	GMC	470530	3680	SKF	330385	3693B	JN-MN	455031	3707098	STEM	370036A
366230	ELRNG	710764	3680994	GMC	2081	36944	C-R	5532	3707098	STEM	370349A
3660089	GMC	6090S	3681302	CHRYSLER	415349	36944	SKF	5532	3707098	STEM	380036A
3660091	GMC	6090S	3681B	JN-MN	415458	3694B	JN-MN	450316	3707099	STEM	370065A
36614	C-R	710288	3681B	JN-MN	455003	3694B	JN-MN	472636	3707099	STEM	376590A
36614	SKF	710288	368240	WAGMA	417562	3694T2	DIA	240731	3707099	STEM	380065A
36621	C-R	710803	368252C91	IH	7600S	3695042	HR-DV	471571	3700	NATL	7044NA
36621	SKF	710803	3683	C-R	240385	3695B	JN-MN	473213	370000	MECH	370023A
3663166	GMC	450666	3683	SKF	240385	3697029	GMC	6985	370000	MECH	380023A
36634M	DIA	415001	3684530	GMC	6358	3697114	GMC	473227	370001A	NATL	6638S
3664	US-EL	481443	36850F	DIA	415003	3697B	JN-MN	472394	370001A	TIMKE	370001A
366400	MECH	370027A	36850F	DIA	415458	3698	TIMKE	3698	370001T	NATL	380001A
36644M	DIA	417484N	368621C91	IH	471138	3698B	JN-MN	416229	370002A	TIMKE	370002A
36644M	DIA	475322N	368629R91	IH	200895	3699678	CHRYSLER	3087	370003A	TIMKE	370003A
3664520	GMC	473313	3686530	GMC	6358	3699678AB	CHRYSLER	3087	370003T	NATL	380003A
36649	CHRYSLER	410308	3686537	GMC	6358	3699678AB	MOPAR	3087	370004A	TIMKE	370004A
36649	CHRYSLER	450308	3686551	GMC	6358	369978	GMC	414045	370005A	TIMKE	370005A
36650	C-R	710266	3686563	GMC	2081	3699B	JN-MN	417247	370006A	TIMKE	370006A

INTERCHANGE SECTION

COMPETITIVE INTERCHANGES



Mfr No.	Mfr.	National	Mfr No.	Mfr.	National	Mfr No.	Mfr.	National	Mfr No.	Mfr.	National
370007A	TIMKE	370007A	3700RC	SUL	455093	3704B	JN-MN	417605	37141	TROS	5836
370008A	TIMKE	370008A	370106A	TIMKE	370106A	370509	WHITE	472015	371410R91	IH	472560N
370009A	TIMKE	370009A	370107A	TIMKE	370107A	370510R91	IH	472560N	371410R91	IH	50151S
370010A	TIMKE	370010A	370109A	TIMKE	370109A	370510R91	IH	50151S	371411R91	IH	450352
370011A	TIMKE	370011A	370119A	TIMKE	370119A	370513R91	IH	470548	371411R91	IH	472164
370012A	TIMKE	370012A	37012	HYST	415072	370513R91	IH	470625	3714713	GMC	5458
370013A	TIMKE	370013A	370120A	TIMKE	370120A	370517R91	IH	450352	3714771	GMC	411330N
370014A	TIMKE	370014A	370121A	TIMKE	370121A	370517R91	IH	472164	3714786	GMC	6818
370015A	TIMKE	370015A	370124A	TIMKE	370124A	370570	WHITE	475012N	371498C91	IH	100495
370018A	TIMKE	370018A	370131A	TIMKE	370131A	3705725	GMC	6818	371498C91	IH	415281N
370019A	TIMKE	370019A	370132A	TIMKE	370132A	3705796	GMC	450666	371498C91	IH	476023N
37002	HYST	417562	370145A	TIMKE	370145A	3705B	JN-MN	415379	3714RC	SUL	451469
370020A	NATL	370021A	37015	C-R	717005	3705B	JN-MN	455379	3715RC	SUL	417485
370020A	TIMKE	370020A	37015	SKF	717005	3706126	GMC	472164	371671	GMC	5458
370021A	TIMKE	370021A	370150A	TIMKE	370150A	370651C91	IH	410101N	3716B	JN-MN	471869
370022A	TIMKE	370022A	370165A	TIMKE	370165A	3706B	JN-MN	416288	3716B	JN-MN	473459
370023A	NATL	456618	370166A	TIMKE	370166A	3707356	GMC	417355	3716RC	SUL	416738
370023A	TIMKE	370023A	370169A	TIMKE	370169A	3707356	GMC	485497	3716RC	SUL	450096
370024A	TIMKE	370024A	370173A	NATL	370005A	3707389	GMC	5458	3717671	GMC	5458
370025A	TIMKE	370025A	370173A	TIMKE	370173A	37087	GEM	470120	3717672	GMC	417355
370025T	NATL	380025A	370175A	TIMKE	370175A	37087	GEM	471224	3717672	GMC	485497
370025X	FRUEH	370025A	370178A	NATL	416888	3708B	JN-MN	415645	371797C91	IH	6988H
370025X	FRUEH	380025A	370178A	TIMKE	370178A	3708B	JN-MN	455104	371876	SPICE	473235
370025X	FRUEH	386025A	370179A	NATL	9339S	37097D	IH	450185	371876	STUDE	473235
370026A	TIMKE	370026A	370179A	TIMKE	370179A	37097D	IH	473229	3718RC	SUL	473446
370027A	TIMKE	370027A	370181A	TIMKE	370181A	3709B	JN-MN	471424	37194	SPICE	411348
370028A	TIMKE	370028A	370182A	TIMKE	370182A	3710013	STEM	370036A	37194	VIC	411348
370029A	TIMKE	370029A	370192A	TIMKE	370192A	3710013	STEM	370349A	371D6	WHITE	6270
37003	SPICE	413248	370195A	TIMKE	370195A	3710013	STEM	380036A	371SL16	MACK	240356
370030A	TIMKE	370030A	370198A	TIMKE	370198A	3710023	STEM	370065A	3727003	STEM	370036A
370031A	TIMKE	370031A	370199A	TIMKE	370199A	3710023	STEM	376590A	3727004	STEM	370057A
370032	WHITE	410496	3702068	GMC	6712NA	3710023	STEM	380065A	3727005	STEM	370013A
370033A	TIMKE	370033A	370211A	TIMKE	370211A	3710043	STEM	370025A	3727006	STEM	370002A
370034A	TIMKE	370034A	370212A	TIMKE	370212A	3710043	STEM	380025A	3727008	STEM	370029A
370036A	NATL	370349A	370216A	NATL	370025A	3710043	STEM	386025A	3727009	STEM	370002A
370036A	TIMKE	370036A	370219A	TIMKE	370219A	371000	MECH	370019A	3727015	STEM	370192A
370037A	TIMKE	370037A	370219BG	NATL	370219A	37101	TROS	5070	3727017	STEM	370195A
370038A	TIMKE	370038A	370220A	TIMKE	370220A	37103	HYST	416476	3727018	STEM	370008A
370039A	TIMKE	370039A	3702255	GMC	417355	37103	TROS	6064	3727022	STEM	370026A
370043A	TIMKE	370043A	3702255	GMC	485497	37104	TROS	6064	3727024	STEM	370107A
370046A	TIMKE	370046A	370247A	TIMKE	370247A	3711412	GMC	417355	3727025	STEM	370027A
370047A	TIMKE	370047A	370254R91	IH	200763	3711412	GMC	485497	3727046	STEM	370010A
370048A	NATL	370182A	37026	C-R	5274	3711B	JN-MN	415072	3727048	STEM	370046A
370048A	TIMKE	370048A	37026	SKF	5274	3711LUP	JN-MN	415072	3727049	STEM	370014A
370051A	TIMKE	370051A	37027	C-R	4359V	3711RC	SUL	473450	3727055	STEM	370013A
370054A	TIMKE	370054A	37027	SKF	4359V	37120	AMC	470077	3727062	STEM	370065A
370057A	TIMKE	370057A	37030	C-R	710060	37120	AMC	474281	3727062	STEM	376590A
370063A	TIMKE	370063A	37030	SKF	710060	3712726	GMC	240698	3727062	STEM	380065A
370064A	TIMKE	370064A	370338A	NATL	370037A	3712738	GMC	340797	3727091	STEM	370107A
370065A	NATL	376590A	370338A	TIMKE	370338A	37129	AMC	473448	3727095	STEM	370037A
370065A	TIMKE	370065A	370349A	NATL	370036A	3712B	JN-MN	416107	3727095	STEM	370338A
370066A	TIMKE	370066A	370349A	TIMKE	370349A	3712B	JN-MN	455073	3727097	STEM	370025A
370069A	TIMKE	370069A	370352A	TIMKE	370352A	3712RC	SUL	470074	3727097	STEM	380025A
370078A	TIMKE	370078A	370371A	TIMKE	370371A	3712RC	SUL	474265	3727097	STEM	386025A
370086	WHITE	450316	370400	MECH	370023A	37132	DENCO	471801	3727098	STEM	370036A
370086	WHITE	472636	370400	MECH	380023A	3713B	JN-MN	417555	3727098	STEM	370349A
370086A	TIMKE	370086A	3704463	GMC	450666	371400	MECH	370019A	3727098	STEM	380036A
370094A	TIMKE	370094A	3704483	GMC	6785	371409R91	IH	470548	3727099	STEM	370065A
3700OS	JN-MN	417549	370463	BENDI	471442	371409R91	IH	470625	3727099	STEM	376590A
3700RC	SUL	411376	370492	GMC	471466	37141	GEM	323138	3727099	STEM	380065A

INTERCHANGE SECTION

COMPETITIVE INTERCHANGES

Mfr No.	Mfr.	National	Mfr No.	Mfr.	National	Mfr No.	Mfr.	National	Mfr No.	Mfr.	National
3727099	STEM	386590A	3730143	STEM	386025A	3737894	GMC	6712NA	3743200	GMC	485497
372000	MECH	370021A	3730144	STEM	370037A	3737LPD	JN-MN	417608	3743201	GMC	6358
3720002	GMC	6818	3730144	STEM	370338A	3737RC	SUL	417606	3743202	GMC	2081
37201	TROS	450666	3730191	STEM	370107A	37381	C-R	415379	37433	C-R	417205
37202	TROS	450666	3730213	STEM	370036A	37381	SKF	415379	37433	SKF	417205
372068	GMC	6712NA	3730213	STEM	370349A	373822	WHITE	6460S	3743698	GMC	417355
372187R91	IH	416239	3730213	STEM	380036A	373823	WHITE	6460S	3743698	GMC	485497
3721RC	SUL	470045	3730223	STEM	370065A	37388	C-R	415379	3743719	CHRY	471652
3721RC	SUL	476838	3730223	STEM	380065A	37388	SKF	415379	3743719	CHRY	482208
37222	SPICE	2081	3730223	STEM	386590A	37389	C-R	2218	3743915	GMC	415991
37224	CHRY	471419	3730243	STEM	370025A	37389	SKF	2218	3743B	JN-MN	411245
37224	CHRY	473367	3730243	STEM	380025A	3738B	JN-MN	415938	3743B	JN-MN	455096
37229	SPICE	415960	3730243	STEM	386025A	3738RC	SUL	450316	374400	MECH	370024A
3722RC	SUL	473446	3730323	STEM	370065A	3738RC	SUL	472636	37444	C-R	710896
372394R91	IH	6200	3730323	STEM	376590A	37390	C-R	415963N	37444	SKF	710896
3723B	JN-MN	415076	3730323	STEM	380065A	37390	SKF	415963N	3744925	MOPAR	8121S
3723RC	SUL	415196	3730343	STEM	370025A	37395	C-R	2218	3744926	MOPAR	6840S
372408	PEUGE	224252	3730343	STEM	380025A	37395	SKF	2218	3744991	GMC	415991
372412	PEUGE	224052	3730343	STEM	386025A	37396	C-R	415379	3744991	GMC	455146
372400	MECH	370021A	373002	BENDI	471103	37396	C-R	455379	3744RC	SUL	450069
372418	PEUGE	224520	373002	BENDI	50197S	37396	SKF	415379	3744RC	SUL	473232
372418	TALBO	224520	3730317	GMC	5458	37396	SKF	455379	374514	OPEL	3543
372438R91	IH	200763	37305	WITTE	450183	374680	ELRNG	713771	374527R91	IH	471267
372440R91	IH	200895	37305	WITTE	472179	374000	MECH	370023A	3745384	GMC	5072
372442R91	IH	7208S	37306	SPICE	710304	374000	MECH	380023A	37454PTA	TRSCM	415983N
372474R91	IH	200763	37311	SPICE	710045	374006R91	IH	335924N	374596	OPEL	710616
372476R91	IH	200895	373156R91	IH	413469	37403	C-R	415963N	3745RC	SUL	473426
3725	C-R	350156	373157R91	IH	416921	37403	SKF	415963N	3746212	GMC	9613S
3725	C-R	473096	373157R91	IH	455011	37405	C-R	39608	3746213	GMC	9613S
3725	SKF	350156	373159R91	IH	416921	37405	SKF	39608	3746465	GMC	5092
3725	SKF	473096	373159R91	IH	455011	37408	C-R	710085	3746601	GMC	6712NA
37257	AMC	410312N	3732	NATL	3732S	37408	SKF	710085	3746B	JN-MN	450117
3725850	GMC	6985	37328	C-R	415983V	3740B	JN-MN	470169	3746B	JN-MN	472572
3725883	GMC	5458	37328	SKF	415983V	3740B	JN-MN	473214	3746RC	SUL	415027
3725884	GMC	5458	3732S	TIMKE	3732S	3740LPD	JN-MN	473214	3746RC	SUL	455027
3725885	GMC	5458	37330	C-R	415983N	3740LUP	JN-MN	470169	3747	TIMKE	3747
3726RC	SUL	416229	37330	SKF	415983N	3740LUP	JN-MN	473214	37474STA	TRSCM	455379
3727	C-R	350156	37332	C-R	415983V	3740RC	SUL	450298	3748347	GMC	5072
3727	C-R	473096	37332	SKF	415983V	3740RC	SUL	473239	3748568	GMC	473473
3727	SKF	350156	37336	C-R	713750	374151	OPEL	3543	374947	WHITE	50327
3727	SKF	473096	37336	SKF	713750	3741512	OPEL	3543	37494TA	TRSCM	416339
37275	AMC	450076	3733706	MOPAR	370001A	3741786	GMC	6818	37494TA	TRSCM	455031
37275	AMC	470334	37338	C-R	2377	374197	OPEL	710616	374SK43	MACK	240733
372762R91	IH	351267	37338	SKF	2377	3742042	GMC	6936S	3750	UNIVE	410085
372762R91	IH	471267	37340	C-R	2377	374216	BENDI	474278	3750	UNIVE	470530
372763R91	IH	351267	37340	C-R	5278	374216	BENDI	480356	375000R91	IH	416239
372763R91	IH	471267	37340	SKF	2377	374227	OPEL	710616	375001R91	IH	416239
3727B	JN-MN	417262	37340	SKF	5278	3742402	GMC	6936S	37500A	IH	473446
3727B	JN-MN	455448	373400	MECH	370009A	374248	OPEL	710709	3750231	GMC	415437
372823	WHITE	6460S	373400	MECH	380009A	3742583	GMC	2081	375035X1	MASSE	415003
3728543	GMC	470898	37341	C-R	2377	374286	WHITE	410987	375035X1	MASSE	415458
373	IDECO	415128	37341	SKF	2377	374286	WHITE	450103	37504	C-R	5512
3730113	STEM	370036A	37342	C-R	2377	374287	WHITE	415458	37504	SKF	5512
3730113	STEM	370349A	37342	SKF	2377	374287	WHITE	455003	37507	C-R	710815
3730113	STEM	380036A	3735006	CHRY	412119	374293	WHITE	416047	37507	SKF	710815
3730123	STEM	370065A	3735211	CHRY	417316	374293	WHITE	416332	3750867	GMC	6358
3730123	STEM	380065A	3735211	CHRY	455004	3742B	JN-MN	450301	3750E	GOODM	415064
3730123	STEM	386590A	37354	C-R	416041	3742B	JN-MN	472397	3751	C-R	471103
3730143	STEM	370025A	37354	SKF	416041	3742RC	SUL	471868	3751	C-R	50197S
3730143	STEM	380025A	373768	BENDI	471192	3743200	GMC	417355	3751	SKF	471103

INTERCHANGE SECTION

COMPETITIVE INTERCHANGES



Mfr No.	Mfr. National	Mfr No.	Mfr. National	Mfr No.	Mfr. National	Mfr No.	Mfr. National
3751	SKF 50197S	376	CHEL 471763	3777743	STEM 380025A	378158R91	IH 450183
3751233	CHRY5 3095	376000	MECH 370023A	3777743	STEM 386025A	378158R91	IH 472179
3751235	CHRY5 3103	376000	MECH 380023A	3777744	STEM 370037A	3781810	GMC 9613S
375224	CABOT 417316	37601	TROS 6936S	3777744	STEM 370338A	378191R91	IH 472319
375224	CABOT 455004	376016	GMC 471869	377000	MECH 370023A	3782343	GMC 8421S
375224	GR-DV 417316	376077	WITTE 471442	377000	MECH 380023A	3783B	JN-MN 450076
375224	GR-DV 455004	37609H	IH 417344	3770297	GMC 350567	3783B	JN-MN 470334
375224	JA-MI 417316	37609H	IH 455006	3770297	GMC 471267	3784844	MECH 370001A
375224	JA-MI 455004	3760B	JN-MN 472213	37707	NEHO 481181	3784844	MECH 380001A
375224	JAE 417316	3761234	GMC 2055	37707	NEHO 481181N	3784872	CHRY5 370048A
375224	JAE 455004	3761361	GMC 481181	3771	TIMKE 3771	3784872	CHRY5 370182A
375224K	FAIRB 417316	3761361	GMC 481181N	3771094	GMC 370018A	3784872	CHRY5 380048A
375224K	FAIRB 455004	37619	HYST 415995	377167A	HERCU 240698	37857	SPERY 340356
375224K	SUL 417316	37619	HYST 455013	3772	TIMKE 3772	37857	VICK 340356
375224K	SUL 455004	3761933	GMC 7412S	3772034	GMC 5573	378673C91	IH 470898
375224M1	GOODM 417316	376215R91	IH 471684	377239R91	IH 450043	378674C91	IH 410520
375224M1	GOODM 455004	376215R91	IH 471698	377239R91	IH 473419	378674C91	IH 471272
37524	C-R 455031	37626	HYST 472394	377240R91	IH 450043	378717	SPICE 6808N
37524	SKF 455031	3762B	JN-MN 470169	377240R91	IH 473419	378718	STUDE 450066
37525	C-R 416339	3762B	JN-MN 473214	3772445	GMC 8976S	378718	STUDE 473367
37525	SKF 416339	37631	C-R 416127	3772748	GMC 6712NA	37872	CHAMP 415683
37526	C-R 416339	37631	SKF 416127	37728	GMC 473235	3787296	GMC 9613S
37526	SKF 416339	3763B	JN-MN 472394	37729	SPICE 415960	378796R91	IH 417492
37526Z9000	NISSA 225040	376400	MECH 370023A	37729	VIC 415960	37901350	JAE 6283S
37530	CHRY5 473457	376400	MECH 380023A	3772999	GMC 5573	37902	TROS 450173
3753156B	HR-DV 350364	37649	C-R 417503	3773B	JN-MN 473423	37903	TROS 470606
37532	C-R 416339	37649	SKF 417503	377400	MECH 370023A	37904325	JAE 417205
37532	C-R 455031	3765	NATL 4359V	377400	MECH 380023A	37904375	JAE 417247
37532	SKF 416339	376590A	NATL 370065A	3774S	TIMKE 3774	3790606	GMC 8293S
37532	SKF 455031	376590A	TIMKE 376590A	3775184	GMC 7934S	3790622	GMC 8610
37533	C-R 416339	3766493	GMC 205044	37753	HYST 472572	37908	GEM 471270
37533	SKF 416339	3766706	GMC 8976S	37754	HYST 450111	37908	ROSS 471270
3753B	JN-MN 415066	3766B	JN-MN 472439	3776800	GMC 6818	37908286	JAE 410102
375400	MECH 370008A	37670	C-R 370023A	377786R91	IH 415001	37909550	JAE 450472
375416	CABOT 416892	37670	C-R 370033A	377787R91	IH 415001	37909730	JAE 415303
375424	SUL 415138	37670	C-R 380023A	377788R91	IH 417316	37909757	JAE 472041
3754B	JN-MN 416229	37670	SKF 370023A	377789R91	IH 417316	37909757	JAE 473454
375501	WHITE 471255	37670	SKF 370033A	3777B	JN-MN 450463	37909762	JAE 417254
3755974	GMC 6712NA	37670	SKF 380023A	377826	HYST 6872S	379144	WHITE 450194
3755B	JN-MN 470351	37675	JAC 471649	3779385	GMC 6835S	379144	WHITE 473010
3755B	JN-MN 471504	376755C91	IH 40316S	37795	C-R 710352	37919	GEM 6597S
37560	HYST 455251H	376761	GMC 3638	37795	SKF 710352	37921	TIMKE 37921
37560	TROS 412871	376764	ALLCH 450083	377959R91	IH 471684	379247R91	IH 416294
37560	TROS 450329	376764	ALLCH 472924	377959R91	IH 471698	379248R91	IH 416294
37561	HYST 450365	3767702	GMC 5092	37802	VIC 370048A	379249R91	IH 416294
37561	HYST 470898	3767OS	JN-MN 481073	37802	VIC 370182A	3792564	GMC 8293S
37561	TROS 473473	376851	GMC 722109	37802	VIC 380048A	3792806	GMC 8293S
3756B	JN-MN 455290	376855	GMC 722108	37802	WHITE 370048A	37939	TIMKE 37939
37570	C-R 710262	3768598	GMC 8243	37802	WHITE 370182A	3794	TIMKE 3794
37570	SKF 710262	376930R91	IH 473230	37802	WHITE 380048A	3794002	GMC 9178S
37574	BR-ST 481644	3769588	GMC 471341	37802D	IH 417356	3794006	GMC 5113
37574	C-R 415150	3769B	JN-MN 450067	37802D	IH 455188	3794B	JN-MN 417020
37574	SKF 415150	3769B	JN-MN 473228	3780374	GMC 416273	3795B	JN-MN 412119
3757B	JN-MN 416865	3777713	STEM 370036A	378040R91	IH 415389N	3795B	JN-MN 450101
3757B	JN-MN 455070	3777713	STEM 370349A	378077R91	IH 455500	379643	WHITE 410316
37584	HYST 415991	3777713	STEM 380036A	378077R91	IH 475500	379643	WHITE 472636
37584	HYST 455146	3777723	STEM 370065A	378078R91	IH 455500	379654	GMC 5756
37592	HYST 472234	3777723	STEM 376590A	378078R91	IH 475500	3796564	GMC 370009A
37597	HYST 473473	3777723	STEM 380065A	378157R91	IH 450183	3796564	GMC 380009A
375981	BENDI 481073	3777743	STEM 370025A	378157R91	IH 472179	3796575	GMC 370009A

INTERCHANGE SECTION

COMPETITIVE INTERCHANGES

Mfr No.	Mfr.	National	Mfr No.	Mfr.	National	Mfr No.	Mfr.	National	Mfr No.	Mfr.	National
3796575	GMC	380009A	380065A	TIMKE	380065A	38119	SKF	710669	38189C7022	NISSA	710245
3796903	GMC	9015S	380069A	TIMKE	380069A	38121	TROS	5924	38189C7023	NISSA	710195
3796B	JN-MN	417344	3800968	CUMMI	39861	381232R91	IH	471267	38189C7123	NISSA	710195
3796B	JN-MN	455006	3801138	CUMMI	39875	38128	SPICE	722109	38189CA010	NISSA	710777
3797B	JN-MN	418028	380131A	TIMKE	380131A	381299	WHITE	455151	38189CA01A	NISSA	710777
3797B	JN-MN	455137	380182R91	IH	470351	3813	TIMKE	3813	38189EB10A	NISSA	100712V
3799B	JN-MN	416239	380183R91	IH	470351	381300	MECH	370034A	38189G1G00	NISSA	2011
3808001	STEM	370066A	380185R91	IH	417492	38133	OLIVE	471192	38189G9500	NISSA	712011
3808009	STEM	370145A	380186R91	IH	450621	3813621	GMC	471193N	38189G9501	NISSA	712011
3808010	STEM	370014A	380186R92	IH	450621	381363C91	IH	452554N	38189N3100	NISSA	2011
3808011	STEM	370011A	380200R91	IH	471271	381363C92	IH	452554N	38189N3110	NISSA	2011
3808014	STEM	370015A	380200R92	IH	471271	381400	MECH	370034A	38189N3111	NISSA	2011
3808017	STEM	370018A	380201R91	IH	471271	38141	TROS	493291	38189P0101	NISSA	1979
3808018	STEM	370010A	380212R91	IH	471271	3814160	GMC	7537S	38189P0115	NISSA	710847
3808020	STEM	370011A	380213R91	IH	471271	3814280	GMC	414045	38189P0116	NISSA	710847
3808025	STEM	370002A	3802820	CUMMI	39803	38147	OLIVE	471689	38189P0117	NISSA	710847
3808027	STEM	370179A	3802B	JN-MN	450365	381480R1	IH	472258	38189U3000	NISSA	1173
3808028	STEM	370007A	3802B	JN-MN	470898	381480R91	IH	472258	38189U3001	NISSA	1173
3808032	STEM	370012A	3803727	CUMMI	39861	3815	FWD	471192	38189Y0810	NISSA	712011
3808034	STEM	370012A	38040	C-R	8370S	38159	SPICE	472258	381907R91	IH	471419
3808035	STEM	370012A	38040	SKF	8370S	38159	VIC	472258	381907R91	IH	473367
3808036	STEM	370001A	38046	EATON	415351	3815B	JN-MN	470548	381908R91	IH	473419
3808036	STEM	380001A	3804899	CUMMI	39803	3815B	JN-MN	470625	381917R91	IH	475368N
3808037	STEM	370048A	38053	ALLCH	415007	38160	C-R	455032	3819584	GMC	8477S
3808037	STEM	370182A	380637R91	CASE	200335	38160	SKF	455032	38196	C-R	710262
3808037	STEM	380048A	380750	GMC	472439	381653	WHITE	415995	38196	SKF	710262
3808039	STEM	370033A	380768R91	IH	412119	381653	WHITE	455013	3819774	CUMMI	99650
3808042	STEM	370002A	380768R91	IH	450101	3817	FWD	450067	3828001	STEM	370066A
3808044	STEM	370054A	380769	GMC	7188S	3817	FWD	473228	3828005	STEM	7780N
3808045	STEM	370057A	380769R91	IH	412119	381721R91	IH	471224	3828009	STEM	370145A
3808046	STEM	370124A	380769R91	IH	450101	3817308	GMC	417355	3828010	STEM	370014A
3808052	STEM	370015A	380770R91	IH	411394	3817308	GMC	485497	3828011	STEM	370011A
3808053	STEM	370124A	380771R91	IH	411394	381742R91	IH	470380	3828017	STEM	370018A
3808054	STEM	370131A	38085	C-R	710855	381743R91	IH	472924	3828018	STEM	370010A
3808054	STEM	380131A	38085	SKF	710855	3817883	GMC	8460N	3828023	STEM	370033A
3808056	STEM	370131A	380890R91	IH	472439	3818896	GMC	8975S	3828025	STEM	370002A
3808056	STEM	380131A	380921R91	IH	472179	3818901G00	NISSA	1173	3828027	STEM	370179A
3808060	STEM	370020A	380922R91	IH	472179	3818901G15	NISSA	710592	3828028	STEM	370007A
3808063	STEM	370132A	380959R91	IH	476838	3818901G16	NISSA	710592	3828029	STEM	370008A
3808064	STEM	370048A	380960R91	IH	476838	3818901G17	NISSA	710592	3828032	STEM	370012A
3808064	STEM	370182A	3810036	STEM	370001A	3818921G00	NISSA	2011	3828034	STEM	370012A
3808064	STEM	380048A	3810036	STEM	380001A	3818921G15	NISSA	710591	3828035	STEM	370012A
3808066	STEM	370150A	3810053	STEM	370124A	3818921G16	NISSA	710591	3828036	STEM	370001A
3808067	STEM	370131A	3810056	STEM	370131A	3818921G17	NISSA	710591	3828036	STEM	380001A
3808067	STEM	380131A	3810056	STEM	380131A	3818921G20	NISSA	2011	3828039	STEM	370033A
3808071	STEM	370011A	3810064	STEM	370048A	3818940P00	NISSA	710117	3828042	STEM	370002A
380001A	TIMKE	380001A	3810064	STEM	370182A	381894N200	NISSA	710666	3828043	STEM	370150A
380003A	TIMKE	380003A	3810064	STEM	380048A	381894N20A	NISSA	710666	3828043	STEM	370352A
380009A	TIMKE	380009A	3810148	STEM	710084	3818961000	NISSA	1979	3828044	STEM	370054A
380019C91	IH	370023A	3810150	STEM	710088	381898S100	NISSA	100712V	3828045	STEM	370057A
380019C91	IH	380023A	38100	C-R	710789	381898S110	NISSA	710920	3828052	STEM	370015A
380019C91	NAVST	370023A	38100	SKF	710789	38189AR001	NISSA	710670	3828053	STEM	370124A
380019C91	NAVST	380023A	38100S6519	SUBAR	710233	38189AR001	SUZUK	710670	3828056	STEM	370131A
380022A	TIMKE	380022A	381041R91	IH	415001	38189AR00A	NISSA	710670	3828056	STEM	380131A
380023A	TIMKE	380023A	381042R91	IH	417316	38189AR00A	SUZUK	710670	3828060	STEM	370020A
380025A	TIMKE	380025A	381043R91	IH	455500	38189C7000	NISSA	710195	3828062	STEM	370014A
380031A	TIMKE	380031A	381043R91	IH	475500	38189C7010	NISSA	710245	3828063	STEM	370132A
380036A	TIMKE	380036A	3811035	WOOL	417158	38189C7011	NISSA	710245	3828064	STEM	370048A
380048A	TIMKE	380048A	3811035	WOOL	455355	38189C7012	NISSA	710195	3828064	STEM	370182A
3800643	CUMMI	39861	38119	C-R	710669	38189C7021	NISSA	710195	3828064	STEM	380048A

INTERCHANGE SECTION

COMPETITIVE INTERCHANGES



Mfr No.	Mfr.	National	Mfr No.	Mfr.	National	Mfr No.	Mfr.	National	Mfr No.	Mfr.	National
3828066	STEM	370150A	3828916	GMC	2081	383400	MECH	370031A	384	IDECO	417603
3828071	STEM	370011A	3828B	JN-MN	415227	383400	MECH	380031A	38407	OLIVE	6460S
3820196	CHRYSLER	3210	3829	FWD	450316	3834200QAB	NISSA	473677	384090R91	IH	471424
3820197	CHRYSLER	493291	3829	FWD	472636	3834200QAD	NISSA	473677	3841	FWD	417487
3820197AB	CHRYSLER	493291	3829B	JN-MN	415076	3834201B00	NISSA	710319	3841	FWD	455014
3820197AB	MOPAR	493291	3830101	STEM	370066A	3834201E00	NISSA	710124	384115	WHITE	450316
3820419	GMC	472258	3830136	STEM	370001A	3834201G00	NISSA	1167	384115	WHITE	472636
3820917	CUMMINS	99351	3830136	STEM	380001A	3834203E00	NISSA	710118	384116	WHITE	415449
3820918	CUMMINS	99333	3830139	STEM	370033A	3834203E01	NISSA	710633	384116	WHITE	455147
3821	FWD	450183	3830153	STEM	370124A	3834206R01	NISSA	710634	384132	GMC	9015S
3821	FWD	472179	3830156	STEM	370131A	3834221000	NISSA	1167	3841532	GMC	9015S
382119	WHITE	418028	3830156	STEM	380131A	3834221X00	NISSA	710122	384156R91	IH	472018
382119	WHITE	455137	3830164	STEM	370048A	3834221X01	NISSA	710123	384215	STUDE	410190
3821200Z00	NISSA	710212	3830164	STEM	370182A	3834221X03	NISSA	710397	384216	STUDE	450066
3821200Z01	NISSA	710212	3830164	STEM	380048A	3834221X04	NISSA	710397	384216	STUDE	473367
3821290008	NISSA	710407	3830166	STEM	370150A	3834231X00	NISSA	710598	38427	DANA	9316
3821225000	NISSA	710184	3830171	STEM	370011A	3834231X01	NISSA	710132	384272	SPICE	9316
3821225007	NISSA	710104	3830175	STEM	370199A	3834231X02	NISSA	710133	384301	WHITE	410519
3821273000	NISSA	223542	3830176	STEM	370211A	3834232030	NISSA	1167	384301	WHITE	471271
3821395	CHRYSLER	473204	3830236	STEM	370001A	3834251E00	NISSA	710397	384334R91	IH	473230
3821401	CHRYSLER	710005	3830236	STEM	380001A	3834256E00	NISSA	710246	384342	WHITE	370036A
382150	WHITE	450291	3830239	STEM	370033A	3834280X00	NISSA	710397	384342	WHITE	370349A
382150	WHITE	471141	3830264	STEM	370048A	3834281X00	NISSA	710632	384342	WHITE	380036A
3821519	CHRYSLER	415009	3830264	STEM	370182A	3834281X01	NISSA	710633	3843648	GMC	8835S
3821519	CHRYSLER	415960	3830264	STEM	380048A	383428E000	NISSA	710598	384386R91	IH	472164
3821656	GMC	8974S	3830336	STEM	370001A	383428E001	NISSA	710132	384387R91	IH	472164
38220	C-R	455189	3830336	STEM	380001A	383428E002	NISSA	710133	3844	FWD	417354
38220	SKF	455189	3838139	STEM	370198A	383428H500	NISSA	710632	384400	MECH	370036A
38220	TROS	5877	3838239	STEM	370198A	383428S110	NISSA	710919	384400	MECH	370349A
3822107	CHRYSLER	472015	38301	TROS	42763	3834295F0A	NISSA	224026	384400	MECH	380036A
3822192	CHRYSLER	415379	3830108	CHRYSLER	3095	38342AX000	NISSA	473677	3845021	GMC	473016
382220R91	IH	472070	3830109	CHRYSLER	3103	38342D2100	NISSA	710134	3846D	GOODM	415138
382229R91	IH	471649	3830B	JN-MN	416011	38342EA000	NISSA	710922	3846E	GOODM	415138
382230R91	IH	471765	3830B	JN-MN	417621	38342M3000	NISSA	710479	384710	VOLVO	9912
3822829	CHRYSLER	413248	3831	FWD	413247	38342M8001	NISSA	710598	3847100	VOLVO	9912
3823	FWD	450082	3831	FWD	450350	3834206R00	NISSA	225230	384727	STUDE	474278
3823	FWD	473238	383159R91	IH	473238	3835	FWD	415458	384727	STUDE	480356
382386	WHITE	415449	383160R91	IH	473238	3835	FWD	455003	384804	WHITE	416271
382386	WHITE	455147	3831716	GMC	240735	383516C91	IH	410308	3848353	GMC	9613S
382387	WHITE	450316	383222	VOLVO	1955	383516C91	IH	473468	3848354	GMC	9613S
382387	WHITE	472636	3832227	VOLVO	1955	3835625	GMC	6936S	384879R91	IH	416294
3824	FWD	472394	3832368	GMC	8610	3835625	GMC	9845	3848OS	JN-MN	471532
382400	MECH	370019A	3832418	GMC	8660S	3835774	GMC	5419	3849OS	JN-MN	471646
38249	NEWPR	710902	383287	WHITE	417344	3835946	GMC	6936S	384K1	DIA	474276
3824B	JN-MN	415027	3833	FWD	415449	3836B	JN-MN	415303	385	IDECO	455251H
3824B	JN-MN	455027	3833	FWD	455147	3837	FWD	417316	385000	MECH	370022A
3825	FWD	450301	383314R91	IH	471419	3837	FWD	455004	385000	MECH	380022A
3825	FWD	472397	383314R91	IH	473367	3837	OLIVE	417316	385038R91	IH	471466
3825136	GMC	8460N	383315R91	IH	473419	3837	OLIVE	455004	385039R91	IH	471466
3825B	JN-MN	455008	3833221100	NISSA	1173	383748R91	IH	473474	38504	HYST	413469
3826129	GMC	411330N	383328R91	IH	471224	3837560	GMC	8705S	385042	CHRYSLER	450154
382663	GMC	472082	383332R91	IH	471649	3837716	GMC	240735	385042	CHRYSLER	473234
3827	FWD	410312N	383333R91	IH	471765	3837B	JN-MN	472015	385043	CHRYSLER	472439
3827712	CHRYSLER	370132A	383340R91	IH	470380	3837E	GOODM	450400	385076R91	IH	471653
382776R91	IH	416664	383341R91	IH	472924	383860R91	IH	473423	385077R91	IH	471653
382778R91	IH	417349	3833648	GMC	8835S	3838B	JN-MN	411394	3850E	GOODM	415066
382779R91	IH	417349	383387R91	IH	472070	3838B	JN-MN	450317	385134R91	IH	471413
3827B	JN-MN	415138	383394R91	IH	416664	3839	FWD	417158	38514SA	TRSCM	455033
3828585	GMC	7934S	383395R91	IH	416664	3839	FWD	455355	3851703	GMC	481181
382868C91	IH	473463	3833OS	JN-MN	450593	383968R1	IH	J1113	3851703	GMC	481181N

INTERCHANGE SECTION

COMPETITIVE INTERCHANGES

Mfr No.	Mfr.	National	Mfr No.	Mfr.	National	Mfr No.	Mfr.	National	Mfr No.	Mfr.	National
38524TA	TRSCM	417366	3867961	GMC	471272	38746	C-R	370165A	3878447	CHRY5	8609
3852984	GMC	8460N	38691	C-R	416345	38746	SKF	370023A	3878447	GMC	471539
38531A	HERCU	470712	38691	SKF	416345	38746	SKF	370024A	3878B	JN-MN	472144
38534SA	TRSCM	455958	38692	C-R	416345	38746	SKF	370165A	3879527	GMC	411330N
385400	MECH	370022A	38692	SKF	416345	38747	C-R	370024A	3879529	GMC	417196
385400	MECH	380022A	3869AB	CASE	470045	38747	C-R	370165A	3879536	GMC	417355
38544	EATON	416956	3869AB	CASE	476838	38747	SKF	370024A	3879536	GMC	485497
38551	EATON	416956	3878736	STEM	370001A	38747	SKF	370165A	388904	ELRNG	716484
3855K	MINNM	5756	3878736	STEM	380001A	38748	C-R	370024A	3880	GARLK	471760
385692R91	IH	471413	3878753	STEM	370124A	38748	SKF	370024A	3880674	GMC	6358
385703R91	IH	471267	3878755	STEM	370131A	387487	WHITE	450076	3880B	JN-MN	450085
385703R92	IH	471267	3878755	STEM	380131A	387487	WHITE	470334	3880B	JN-MN	470530
385704R91	IH	471267	3878756	STEM	370131A	38749	C-R	417505	38810	C-R	416043
385766R91	IH	472299	3878756	STEM	380131A	38749	SKF	417505	38810	SKF	416043
3857716	GMC	8975S	3878763	STEM	370132A	38750	C-R	370024A	38816D	IH	450030
3857731	GMC	8974S	3878764	STEM	370048A	38750	SKF	370024A	38816D	IH	474253
3858316	GMC	8976S	3878764	STEM	370182A	387596	WHITE	415371	3881B	JN-MN	473463
38585	C-R	710520	3878764	STEM	380048A	3875B	JN-MN	417211	38832	TIMKE	38832
38585	SKF	710520	387015C1	IH	5111S	3876191	GMC	8705S	3883386	GMC	2081
385864R91	IH	452222	38703	C-R	455547	3876192	GMC	7934S	38835	CHRY5	470898
385865R91	IH	452222	38703	SKF	455547	3876B	JN-MN	450185	388357	GMC	8940S
385871R91	IH	450043	387036C1	IH	321460	3876B	JN-MN	473229	388400	MECH	370009A
385871R91	IH	473419	387036C91	IH	321460	38770	C-R	710526	388400	MECH	380009A
385872R91	IH	450043	387054	WHITE	450066	38770	SKF	710526	388506	WHITE	412119
385872R91	IH	473419	387054	WHITE	473367	38774	C-R	370022A	388506	WHITE	450101
3858832	GMC	470380	3870890	CUMMI	39715	38774	C-R	380022A	388770	WHITE	415137
38597	CHRY5	410308	38709	C-R	370024A	38774	C-R	380023A	388770	WHITE	418028
3860095	GMC	3945	38709	C-R	370033A	38774	C-R	456618	38880	C-R	710526
38617	C-R	100085	38709	SKF	370024A	38774	SKF	370022A	38880	SKF	710526
38617	SKF	100085	38709	SKF	370033A	38774	SKF	380022A	388822C91	IH	476470
3862674	CUMMI	40392	38713	C-R	415697	38774	SKF	380023A	388823C91	IH	416130
3863B	JN-MN	415294	38713	SKF	415697	38774	SKF	456618	38883	C-R	710669
3863B	JN-MN	455294	3871619	GMC	9613S	38776	C-R	370023A	38883	SKF	710669
386400	MECH	370057A	3871649	GMC	470380	38776	C-R	380023A	388974	GMC	9049N
3864171	GMC	9015S	3871649	GMC	472189A	38776	SKF	370023A	3889B	JN-MN	470351
386455R91	IH	472924	387178	WHITE	410316	38776	SKF	380023A	3889B	JN-MN	471504
386456R91	IH	472924	387178	WHITE	472636	38777	C-R	380023A	389000	MECH	370031A
386460R91	IH	472299	3872	FWD	455584	38777	C-R	456618	389000	MECH	380031A
386461R91	IH	417492	387216	GAL	415082	38777	SKF	380023A	389083R91	IH	415871
38647	C-R	417210	387220	GAL	415007	38777	SKF	456618	389160001	WHITE	472636
38647	SKF	417210	387220	GW1	415007	38779	C-R	370023A	3891B	JN-MN	417356
38649	C-R	3893V	387224	FAIRB	415960	38779	C-R	380023A	3891B	JN-MN	455188
38649	SKF	3893V	387224	FAIRB	455009	38779	SKF	370023A	3892B	JN-MN	416364
38653	C-R	417210	387224	GOODM	415960	38779	SKF	380023A	3893105	CHRY5	370001A
38653	SKF	417210	387224	GOODM	455009	3877B	JN-MN	450494	3893105	CHRY5	380001A
3865358	GMC	6818	38730	C-R	417366	3877B	JN-MN	472164	3893298	GMC	5072
38654	DENCO	418028	38730	SKF	417366	38780	C-R	370023A	3893299	GMC	5072
38654	DENCO	455137	38731	C-R	417366	38780	C-R	380023A	3893V	TIMKE	3893V
3865924	GMC	6712NA	38731	SKF	417366	38780	SKF	370023A	389400	MECH	370031A
3866	FWD	457874	387328	GR-DV	417211	38780	SKF	380023A	389400	MECH	380031A
3866719	GMC	472705	3874	FWD	416077	38782	C-R	370023A	389405R91	IH	470530
3866845	GMC	471707N	387400	MECH	370028A	38782	C-R	380023A	389405R92	IH	470530
38669	C-R	417211	3874340	GMC	5119	38782	SKF	370023A	389406R91	IH	470530
38669	SKF	417211	3874368	GMC	9128S	38782	SKF	380023A	389407R91	IH	472439
3866992	GMC	470530	38745	C-R	415958	38783	C-R	370008A	389407R92	IH	472439
3867349	CHRY5	370023A	38745	C-R	455958	38783	C-R	370023A	389408R91	IH	472439
3867349	CHRY5	380023A	38745	SKF	415958	38783	C-R	380023A	3894121	CHRY5	710044
3867960	GMC	450519	38745	SKF	455958	38783	SKF	370008A	3894131	CHRY5	41461S
3867960	GMC	471271	38746	C-R	370023A	38783	SKF	370023A	3894147	CHRY5	710304
3867961	GMC	410520	38746	C-R	370024A	38783	SKF	380023A	389445R91	IH	471750

INTERCHANGE SECTION

COMPETITIVE INTERCHANGES



Mfr No.	Mfr. National	Mfr No.	Mfr. National	Mfr No.	Mfr. National	Mfr No.	Mfr. National
389446R91	IH 471750	3909057	STEM 370009A	3907B	JN-MN 415150	3917024	VOLVO 127591
3894V	TIMKE 3894V	3909057	STEM 380009A	39085	C-R 476517	39189C7000	NISSA 710245
3895034	CUMMI 39869	3909060	STEM 370005A	39085	SKF 476517	3918B	JN-MN 415938
3895B	JN-MN 450121	3909061	STEM 370030A	3909	TIMKE 3909	3919309	GMC 471424
3895B	JN-MN 472409	3909062	STEM 370121A	3909410	CUMMI 39805	391975R91	IH 412119
3896	TIMKE 3896	3909063	STEM 2081	390RC	SUL 473245	391976R91	IH 410101N
3896454	FORD 100357	3909064	STEM 370021A	3910003	STEM 370022A	3929001	STEM 370004A
3897B	JN-MN 473215	3909065	STEM 370019A	3910003	STEM 380022A	3929007	STEM 370028A
389879	WHITE 415041	3909070	STEM 370006A	3910004	STEM 370031A	3929010	STEM 370033A
389880	WHITE 415021	3909073	STEM 370003A	3910004	STEM 380031A	3929012	STEM 370023A
389881	WHITE 5751	3909073	STEM 380003A	3910012	STEM 370023A	3929012	STEM 380023A
389RC	SUL 410312N	3909081	STEM 370173A	3910012	STEM 380023A	3929018	STEM 370008A
38G42	OSHKO 475012N	3909087	STEM 370006A	3910060	STEM 370005A	3929019	STEM 370057A
38GX42	OSHKO 475012N	3909088	STEM 370021A	3910064	STEM 370020A	3929020	STEM 370005A
38H021	SHOV 474276	3909089	STEM 370069A	3910064	STEM 370021A	3929021	STEM 370027A
38X50X105	FME 223800	3909089	STEM 380069A	3910070	STEM 370006A	3929032	STEM 370036A
38X52X6VAY	TRSCM 1196	3909090	STEM 370031A	3910073	STEM 370003A	3929032	STEM 370349A
39	WGEAR 470565	3909090	STEM 380031A	3910073	STEM 380003A	3929032	STEM 380036A
3907008	STEM 370029A	3909092	STEM 370019A	3910138	STEM 710089	3929033	STEM 370178A
3907025	STEM 370027A	3909094	STEM 370022A	3910139	STEM 710278	3929034	STEM 370195A
3907048	STEM 370046A	3909094	STEM 380022A	3910B	JN-MN 417205	3929035	STEM 370047A
3909001	STEM 370004A	3909095	STEM 370030A	3911035	WOOL 455406	3929036	STEM 370169A
3909002	STEM 370022A	3909096	STEM 370019A	39111	FI-CO 472439	3929038	STEM 370046A
3909002	STEM 380022A	3909097	STEM 370005A	39114	FI-CO 474278	3929043	STEM 370007A
3909003	STEM 370022A	3909098	STEM 370003A	39114	FI-CO 480356	3929045	STEM 370106A
3909003	STEM 380022A	3909098	STEM 380003A	39115	FI-CO 472432	3929046	STEM 370027A
3909004	STEM 370031A	3909099	STEM 370023A	39115	FI-CO 474256	3929048	STEM 370069A
3909004	STEM 380031A	3909099	STEM 370024A	39118	SPICE 5778	3929048	STEM 380069A
3909005	STEM 370021A	3909099	STEM 370165A	39118	VIC 5778	3929053	STEM 370120A
3909006	STEM 370019A	3909099	STEM 380023A	391182	DANA 5778	3929057	STEM 370009A
3909007	STEM 370028A	3909109	STEM 370220A	391182	SPICE 5778	3929057	STEM 380009A
3909010	STEM 370033A	3909111	STEM 370220A	3911917	GMC 410085	3929062	STEM 370121A
3909012	STEM 370023A	390033065	MAZDA 1992	3911917	GMC 470530	3929063	STEM 2081
3909012	STEM 380023A	390000	MECH 370006A	3911B	JN-MN 455151	3929081	STEM 370173A
3909015	STEM 370024A	3900709	COND 39803	3912	FI-CO 471344	3929087	STEM 370006A
3909018	STEM 370008A	3900709	CUMMI 39803	3912016	GMC 416273	3929088	STEM 370021A
3909019	STEM 370057A	3900709080	CUMMI 39803	3912202	GMC 472164V	3929089	STEM 370069A
3909021	STEM 370027A	390106	HYST 417247	3912202	GMC 482164N	3929089	STEM 380069A
3909022	STEM 370005A	3901979	COND 39804	3912446	GMC 481181	3929090	STEM 370031A
3909024	STEM 370006A	39022	OLIVE 450076	3912446	GMC 481181N	3929090	STEM 380031A
3909025	STEM 370019A	39022	OLIVE 470334	39125	C-R 231004	3929092	STEM 370019A
3909026	STEM 370019A	390400	MECH 370006A	39125	SKF 231004	3929094	STEM 370022A
3909032	STEM 370036A	3904087	COND 39805	3912RC	SUL 470074	3929094	STEM 380022A
3909032	STEM 370349A	3904089	COND 39805	3912RC	SUL 474265	3929095	STEM 370030A
3909032	STEM 380036A	3904353	CUMMI 39803	3913	FI-CO 471571	3929096	STEM 370019A
3909033	STEM 370178A	390490C91	IH 476574N	39135	C-R 231003	3929097	STEM 370005A
3909034	STEM 370195A	390491C91	IH 35949N	39135	SKF 231003	3929098	STEM 370003A
3909035	STEM 370047A	3904B	JN-MN 450291	39136	C-R 231003	3929098	STEM 380003A
3909036	STEM 370169A	3904B	JN-MN 471141	39136	SKF 231003	3929099	STEM 370023A
3909038	STEM 370046A	3905	TIMKE 3905	39139	C-R 231003	3929099	STEM 370024A
3909046	STEM 370027A	3905405	GMC 481181	39139	SKF 231003	3929099	STEM 380023A
3909048	STEM 370069A	3905405	GMC 481181N	39140	TIMKE 39140	3929111	STEM 370220A
3909048	STEM 380069A	39058	OLIVE 473215	39140	TROS 3210	3929112	STEM 370031A
3909050	STEM 370069A	3906080	CUMMI 99253	391483	BR-ST 351267	3929112	STEM 380031A
3909050	STEM 380069A	3906081	CUMMI 99491	391483	BR-ST 471267	3929130	STEM 370031A
3909053	STEM 370120A	390659	WHITE 470045	3915214	VOLVO 100557	3929130	STEM 380031A
3909056	STEM 370023A	390659	WHITE 476838	39160	TROS 470548	3929131	STEM 370003A
3909056	STEM 370024A	3907	TIMKE 3907	39160	TROS 470625	3929131	STEM 380003A
3909056	STEM 370165A	39070	C-R 710278	39162	TROS 6545	3929132	STEM 370005A
3909056	STEM 380023A	39070	SKF 710278	3917	FI-CO 474255	3920121	MARMO 473215

INTERCHANGE SECTION

COMPETITIVE INTERCHANGES

Mfr No.	Mfr.	National	Mfr No.	Mfr.	National	Mfr No.	Mfr.	National	Mfr No.	Mfr.	National
3920122	MARMO	450066	3930112	STEM	380023A	3940	C-R	221040	394629	WHITE	40395S
3920122	MARMO	473367	3930115	STEM	370024A	3940	SKF	221040	394686C91	IH	9912
3920123	MARMO	470088	3930134	STEM	370195A	3940108	GMC	9316	394746	WHITE	5M466
3920125	MARMO	415458	3930148	STEM	370069A	3940B	JN-MN	450311	394761	WHITE	450316
3920125	MARMO	455003	3930148	STEM	380069A	39412	SHOV	415991	394761	WHITE	472636
3920126	MARMO	450316	3930173	STEM	370003A	39412	SHOV	415991N	394894C91	IH	370001A
3920126	MARMO	472636	3930173	STEM	380003A	394163	WHITE	470045	394894C91	NAVST	380001A
392048	WHITE	415027	3930203	STEM	370022A	394163	WHITE	476838	39494SA	TRSCM	455034
39210	FI-CO	471765	3930203	STEM	380022A	3941847	GMC	473228	394976	VICK	474260
3921012	GMC	9845	3930204	STEM	370031A	3941847	GMC	481837	3951	CALSO	471870
3921072	GMC	8610	3930204	STEM	380031A	3941B	JN-MN	455280	3951	CALSO	471883
3921194	GMC	9845	3930212	STEM	370023A	3942	TIMKE	3942	395125C91	IH	9773
3921265	CUMMI	39805	3930212	STEM	380023A	39420	C-R	370009A	39514	NEWPR	714670
39216	FI-CO	471567	3930273	STEM	370003A	39420	C-R	380009A	39524SA	TRSCM	455191
392190X1	MASSE	1209	3930273	STEM	380003A	39420	SKF	370009A	3952B	JN-MN	416107
3921927	COND	39804	3930373	STEM	370003A	39420	SKF	380009A	3952B	JN-MN	455073
3921927	CUMMI	39804	3930373	STEM	380003A	39423	C-R	370005A	3953412	GMC	9406S
392194	HYST	416130	39302	TIMKE	39302	39423	C-R	380009A	395500R91	IH	450639
3921972	GMC	5092	3930B	JN-MN	411376	39423	C-R	417506	3955247	FORD	712449
3921B	JN-MN	450519	3930B	JN-MN	455093	39423	SKF	370005A	3955247	NEHO	712449
3921B	JN-MN	471271	393180R91	IH	335924N	39423	SKF	380009A	395591	WHITE	471567
3922	FI-CO	450604	39320	C-R	455191	39423	SKF	417506	3956523	FORD	4162
3922B	JN-MN	416345	39320	SKF	455191	394233	WHITE	416865	3958001	GMC	5092
3922B	JN-MN	455033	39320	TROS	450044	394233	WHITE	455070	3958078	GMC	8835S
39235	FI-CO	472924	3932255	GMC	9613S	39425	C-R	370009A	3960335	GMC	8660S
39236	FI-CO	472636	3932B	JN-MN	417562	39425	C-R	380009A	39608	TIMKE	39608
392363R91	IH	415836	3933B	JN-MN	417562	39425	SKF	370009A	3960860	GMC	471466
392363R91	IH	415995	393400	MECH	370033A	39425	SKF	380009A	396148C91	IH	415995V
39237	FI-CO	473225	393453R91	IH	450621	3942535	CUMMI	39804	396148C91	IH	455995N
392378R91	IH	340724	3935	NATL	5699	39426	C-R	370009A	3962863	GMC	5072
3924031	GMC	8460N	39350	C-R	415263	39426	C-R	370198A	396395C92	IH	370021A
3924032	GMC	712598	39350	SKF	415263	39426	C-R	380009A	396395C92	NAVST	370021A
3924033	GMC	411330N	393516C91	IH	410308	39426	SKF	370009A	396470	GMC	2043
3924127	GMC	6712NA	393516C91	IH	473468	39426	SKF	370198A	3964B	JN-MN	416706
39245	C-R	455186	393544R91	IH	472258	39426	SKF	380009A	3964B	JN-MN	455272
39245	SKF	455186	393545R91	IH	471424	39431	MISSI	471785	3965092	GMC	4739
39246	SPICE	710067	393546R91	IH	472018	394312	MISSI	471785	3965129	GMC	472394
392461	DANA	710067	3935959	CUMMI	39803	394313	MISSI	474274	396524	WHITE	450094
392462	DANA	710067	39361	C-R	710471	394314	MISSI	450298	396524	WHITE	473462
392463	DANA	710067	39361	SKF	710471	394314	MISSI	473239	396526C91	IH	370019A
392464	DANA	710067	39367	C-R	710290	394316	MISSI	470120	3965B	JN-MN	450194
392465	DANA	710067	39367	SKF	710290	394316	MISSI	471224	3965B	JN-MN	473010
3925252A00	NISSA	710107	39369	C-R	710639	39432	MISSI	474274	3965LPD	JN-MN	450194
3925252A10	NISSA	710107	39369	SKF	710639	394322	MISSI	455321	3965LPD	JN-MN	473010
3926126	CUMMI	710473	3936B	JN-MN	416865	394323	MISSI	411376	3965LUP	JN-MN	450194
3926B	JN-MN	472287	3937	UNIVE	471984	394323	MISSI	455093	3965LUP	JN-MN	473010
39275	C-R	415034	39378	C-R	370008A	39433	MISSI	450298	3966B	JN-MN	473211
39275	SKF	415034	39378	SKF	370008A	39433	MISSI	473239	3967875	GMC	473313
3929	FI-CO	471765	3937B	JN-MN	472354	39435	MISSI	40027S	3967876	GMC	410308
392929C91	IH	472164	3937B	JN-MN	50395S	39439	VIC	9316	3967876	GMC	473468
392929C92	IH	472164	39380	C-R	370008A	394392	SPICE	9316	3967B	JN-MN	470059
3929B	JN-MN	415645	39380	SKF	370008A	394451C91	IH	470898	3967B	JN-MN	470380
3929B	JN-MN	455104	39382	CHRY	413469	39448	MATHR	55563	3968050	GMC	473214
392RC	SUL	470163	39385	C-R	6270	3945	TIMKE	3945	3968B	JN-MN	450070
392RC	SUL	471766	39385	SKF	6270	394504	WHITE	417267	3968B	JN-MN	472185
3930103	STEM	370022A	393879	WHITE	470712	394511	WHITE	415711	39693	DANA	9864S
3930103	STEM	380022A	39388	CHRY	450183	3945B	JN-MN	455018	39693	SPICE	9864S
3930104	STEM	370031A	39388	CHRY	472179	3945B	JN-MN	476470	396993	WHITE	415836
3930104	STEM	380031A	3938B	JN-MN	450069	3946	TIMKE	3946	396993	WHITE	415995
3930112	STEM	370023A	3938B	JN-MN	473232	394629	WHITE	40395	3969B	JN-MN	417362

INTERCHANGE SECTION

COMPETITIVE INTERCHANGES



Mfr No.	Mfr. National	Mfr No.	Mfr. National	Mfr No.	Mfr. National	Mfr No.	Mfr. National
3979703	STEM 370022A	3979626	GMC 2287	39895	SKF 415035	3998519	GMC 8660S
3979703	STEM 380022A	39799B	JN-MN 450066	39895	SKF 455035	399857	WHITE 450085
3979704	STEM 370031A	39799B	JN-MN 473367	3989505	GMC 8835S	399857	WHITE 470530
3979704	STEM 380031A	39801	TIMKE 39801	3989506	GMC 8835S	39988	C-R 370033A
3979712	STEM 370023A	39802	TIMKE 39802	39899	TIMKE 39899	39988	SKF 370033A
3979712	STEM 380023A	3980267	GMC 9845	398GX	OSHKO 475012N	3998OS	JN-MN 415196
3979715	STEM 370023A	39803	TIMKE 39803	39900	TIMKE 39900	39990	C-R 370033A
3979715	STEM 380023A	39804	TIMKE 39804	39910	TIMKE 39910	39990	SKF 370033A
3979735	STEM 370047A	39805	MATHR 39805	399162	WHITE 450365	39997	C-R 417357
3979748	STEM 370069A	39805	TIMKE 39805	399162	WHITE 470898	39997	C-R 455192
3979748	STEM 380069A	39807	MATHR 39807	39920	TIMKE 39920	39997	SKF 417357
3979757	STEM 370009A	39807	TIMKE 39807	39920D	IH 450076	39997	SKF 455192
3979757	STEM 380009A	39809	TIMKE 39809	39920D	IH 470334	3999B	JN-MN 418028
3979760	STEM 370005A	39813	MATHR 39813	39921	C-R 415035V	3999B	JN-MN 455137
3979761	STEM 370030A	39813	TIMKE 39813	39921	C-R 456967V	3A100	AT IM 455018
3979764	STEM 370021A	39821	TIMKE 39821	39921	SKF 415035V	3A100	AT IM 476470
3979765	STEM 370019A	398221	STUDE 240385	39921	SKF 456967V	3A2701	FMC 471870
3979770	STEM 370006A	39823	TIMKE 39823	39922	C-R 415035	3A2701	FMC 471883
3979773	STEM 370003A	3982B	JN-MN 417171	39922	C-R 475845	3A2702	FMC 450519
3979773	STEM 380003A	3983	NATL 8835S	39922	SKF 415035	3A2702	FMC 471271
3970	C-R 710762	398311	WHITE 470358	39922	SKF 475845	3A2836	AT IM 474260
3970	SKF 710762	398311	WHITE 473231	39923	C-R 415035	3A2925	AT IM 450545
39701	TIMKE 39701	398321R91	IH 470625	39923	C-R 475845	3A653	AT IM 471570
39703	TIMKE 39703	39835	TIMKE 39835	39923	SKF 415035	3A669	AT IM 450115
39705	TIMKE 39705	39837	TIMKE 39837	39923	SKF 475845	3A669	AT IM 473467
3970548	CUMMI 710473	39838	C-R 335924N	39925	TIMKE 39925	3A75	AT IM 471267
39708	MATHR 50568	39838	SKF 335924N	39926	TIMKE 39926	3A76	AT IM 471760
39711	TIMKE 39711	39849	TIMKE 39849	39930	TIMKE 39930	3A89	AT IM 472705
39713	TIMKE 39713	39851	C-R 415187	39932	C-R 456967V	3B1226	CATER 470064
397143	WHITE 450070	39851	SKF 415187	39932	SKF 456967V	3B1226	CATER 471821
397143	WHITE 472185	39851	TIMKE 39851	39933	C-R 415035	3B1508	CATER 471442
397144	WHITE 450194	39853	TIMKE 39853	39933	C-R 455035	3B3355	CATER 470120
397144	WHITE 473010	39860	C-R 45187S	39933	SKF 415035	3B3355	CATER 471224
39715	TIMKE 39715	39860	SKF 45187S	39933	SKF 455035	3B3443	CATER 473460
39719	TIMKE 39719	39861	TIMKE 39861	39934	C-R 415035	3B3443	WESTR 473460
3971B	JN-MN 415725	39865	TIMKE 39865	39934	SKF 415035	3B3657	CATER 415196
39723	TIMKE 39723	39867	TIMKE 39867	39935	C-R 710022	3B3716	CATER 415021
3973135	GMC 5115	39869	TIMKE 39869	39935	CLARK 471689	3B3887	CATER 473426
397325	WHITE 473228	3986B	JN-MN 472258	39935	SKF 710022	3B3888	CATER 470351
3973462	GMC 9845	39873	NEWPR 710751	399356	WHITE 415043	3B3888	CATER 471504
397470	GMC 470380V	398744	CATER 417562	3993RC	SUL 415938	3B5019	STERL 416654
3974846	GMC 370106A	39875	TIMKE 39875	399499	HYST 417247	3B5019	STERL 455012
3974847	GMC 2081	39877	TIMKE 39877	39952	TIMKE 39952	3B5657	CATER 415196
3974848	GMC 2055	3987936	GMC 7412S	39954	TIMKE 39954	3B5746	CATER 472287
3974849	GMC 417355	3987937	GMC 481181	39956	TIMKE 39956	3B5868	STERL 412943
3974849	GMC 485497	3987937	GMC 481181N	39958	TIMKE 39958	3B5919	STERL 416654
3974850	GMC 6358	39880	TIMKE 39880	3995B	JN-MN 416921	3B5919	STERL 455012
3975731	GMC 450185	39881	TIMKE 39881	3995B	JN-MN 455011	3B5926	STERL 416288
3975731	GMC 473229	39882	TIMKE 39882	39961	C-R 345035	3B6049	STERL 415001
3975B	JN-MN 471870	39883	TIMKE 39883	39961	SKF 345035	3B6064	STERL 450066
3975B	JN-MN 471883	39885	TIMKE 39885	399736C91	IH 415483	3B6064	STERL 473367
39760	C-R 710371	39886	TIMKE 39886	399736C91	IH 455368	3B6098	STERL 473215
39760	SKF 710371	39887	TIMKE 39887	39975	C-R 417356	3B6209	STERL 410102
3976B	JN-MN 412473	39888	TIMKE 39888	39975	SKF 417356	3B6210	STERL 450076
3976B	JN-MN 415894	39889	TIMKE 39889	39979	C-R 370033A	3B6210	STERL 470334
3977359	GMC 2286	39890	TIMKE 39890	39979	C-R 370198A	3B7360	CATER 415458
3979613	GMC 9316	39893	TIMKE 39893	39979	SKF 370033A	3B7360	CATER 455003
3979614	GMC 5778	39894	TIMKE 39894	39979	SKF 370198A	3B7360	WESTR 415458
3979615	GMC 6808N	39895	C-R 415035	399798R91	IH 416664	3B7360	WESTR 455003
3979616	GMC 5778V	39895	C-R 455035	3998	CINMI 470712	3B8188	CATER 415899N

INTERCHANGE SECTION

COMPETITIVE INTERCHANGES

Mfr No.	Mfr.	National	Mfr No.	Mfr.	National	Mfr No.	Mfr.	National	Mfr No.	Mfr.	National
3B8188	CATER	416624N	3HF14	GEM	6597S	3L144C046AA	FORD	100537	3P003101	BORGW	473232
3B8564	CATER	450030	3J0366	CATER	412871	3L144C046BA	FORD	100537	3P003102	BORGW	472185
3B8564	CATER	474253	3J0366	CATER	450329	3L1Z4A109AA	FORD	100537	3P003110	BORGW	471646
3B8984	CATER	471137	3J0370	CATER	413479	3L1Z4A109BA	FORD	100537	3P003112	BORGW	471413
3B9008	CATER	417191	3J0371	CATER	416271	3L3313	CATER	416891	3P003113	BORGW	415004
3B9116	CATER	415991	3J0374	CATER	415938	3L642	CATER	415098N	3P003113	BORGW	417316
3B9116	CATER	455146	3J0375	CATER	415960	3L844N299AA	FORD	100552	3P003117	BORGW	450040
3B9369	CATER	416956	3J0377	CATER	415938	3L8P7F401AA	FORD	4635V	3P003123	BORGW	415082
3B9378	CATER	417211	3J0378	CATER	450117	3L8Z4N046AA	FORD	100552	3P003124	BORGW	416239
3B9387	CATER	417211	3J0378	CATER	472572	3L8Z7F401AA	FORD	4635V	3P003125	BORGW	417343
3BLA0236	WHITE	450365	3J1516	CATER	416380	3M188	CATER	471442	3P003127	BORGW	415294
3BLA0236	WHITE	470898	3J1813	CASE	417487	3M6853	CATER	451583	3P003128	BORGW	417361
3C343254CA	FORD	710494	3J1813	CASE	455086	3N0533	CATER	417171	3PS396	C-P	415449
3C346700BA	FORD	710890	3J1813	CATER	415086N	3N214C041AA	FORD	710715	3PS396	C-P	455147
3C346701BA	FORD	710901	3J1813	CATER	417487	3N214K341AA	FORD	710716	3Q298B1	STAND	473230
3C346701CA	FORD	710901	3J1814	CATER	416364	3NE08	GEM	6597S	3R12521	GMC	416102
3C3P7052CB	FORD	710537	3J3153	FMC	472636	3NF01	GEM	240949	3R8555	GMC	415683
3C3P7A248AA	FORD	710485	3J3154	FMC	417191	3NF12	GEM	6597S	3R8556	GMC	416364
3C3Z3254CA	FORD	710494	3J3602	FMC	417271	3P003000	BORGW	471526	3R8557	GMC	415294
3C3Z4676AA	FORD	127591	3J365	CATER	415458	3P003001	BORGW	471526	3R8557	GMC	455294
3C3Z6700BA	FORD	710890	3J365	CATER	455003	3P003002	BORGW	471466	3R963	GMC	416865
3C3Z6701A	FORD	710901	3J366	CATER	412871	3P003005	BORGW	473225	3R963	GMC	455070
3C3Z6701AA	FORD	710901	3J366	CATER	450329	3P003009	BORGW	450070	3S2214	CATER	473234
3C3Z6701B	FORD	710901	3J369	CATER	415988	3P003009	BORGW	472185	3S4P7H260AA	FORD	710540
3C3Z7052CA	FORD	710537	3J371	CATER	416271	3P003010	BORGW	450082	3S4Z1177AA	FORD	710540
3C3Z7A248AA	FORD	710485	3J372	CATER	415138	3P003010	BORGW	473238	3SPC22A	NOVO	470059
3CF1209	OLIVE	411253	3J373	CATER	471138	3P003014	BORGW	471224	3SPC22A	NOVO	470380
3CF1209	OLIVE	450099	3J374	CATER	415938	3P003017	BORGW	471529	3T1003	HU-WR	415379
3CF1231	OLIVE	450400	3J375	CATER	415960	3P003022	BORGW	473424	3T1003	HU-WR	455379
3D8417	CATER	415128	3J377	CATER	415938	3P003028	BORGW	481443	3T1004	HU-WR	470548
3F0984	CATER	415351	3J378	CATER	450117	3P003029	BORGW	471646	3T1004	HU-WR	470625
3F1395	CATER	415196	3J378	CATER	472572	3P003031	BORGW	471651	3T1014	HU-WR	415147
3F3211	CATER	472439	3J4407	CATER	470895	3P003032	BORGW	450342	3T1014	HU-WR	415449
3F3709	CATER	450389	3J4544	CATER	340009S	3P003036	BORGW	472015	3T1015	HU-WR	450316
3F3709	CATER	472492	3J4776	CATER	473464	3P003038	BORGW	411394	3T1015	HU-WR	472636
3F4991	CATER	471689	3J4777	CATER	410987	3P003038	BORGW	450317	3T1026	HU-WR	471689
3F5791	CATER	415035	3J484	CATER	415379	3P003041	BORGW	471652	3T1549	HU-WR	471765
3F5791	CATER	415953	3J8517	CATER	415295	3P003042	BORGW	472354	3T1554	HU-WR	415442
3F6605	CATER	471138	3J8518	CATER	415138	3P003042	BORGW	50395S	3T1555	HU-WR	471652
3F690	CATER	480630	3J8519	CATER	415938	3P003045	BORGW	415458	3T1572	HU-WR	450489
3F885	CATER	472439	3J8520	CATER	416364	3P003045	BORGW	455003	3T1572	HU-WR	473244
3F9351	NATEN	417191	3J8521	CATER	415027N	3P003051	BORGW	411245	3T1641	HU-WR	7208S
3F9351	NATEN	455165	3J8523	CATER	415295	3P003051	BORGW	455096	3T1746	HU-WR	240319
3F9497	NATEN	416891	3J9091	CATER	410312N	3P003054	BORGW	415991	3U2J1177AA	FORD	8660S
3F9498	NATEN	416891	3J9092	CATER	410312N	3P003054	BORGW	455146	3U2Z1S177AA	FORD	8660S
3F984	CATER	415351	3J9681	CATER	415379	3P003055	BORGW	481792	3W1W4B490AA	FORD	8660S
3FT39	OSHKO	417181	3K0158	CATER	455948	3P003056	BORGW	471730	3W1Z1177AB	FORD	8660S
3G19426	NATEN	415551	3K158	CATER	455948	3P003076	BORGW	415085	3W1Z1S177AB	FORD	8660S
3H1397	CATER	450067	3K2876	CATER	417484N	3P003080	BORGW	471419	3W436701AA	FORD	231004
3H1397	CATER	473228	3K2876	CATER	455322	3P003080	BORGW	473367	3W4Z6701AA	FORD	231004
3H1589	LEYLD	470898	3K2876	FPDSL	455322	3P003081	BORGW	473464	3W5694	CATER	370022A
3H1590	CATER	415035	3K2969	CATER	480630	3P003082	BORGW	471763	3X099903	BORGW	472258
3H2008	CATER	415899N	3K2969	CATER	480991	3P003083	BORGW	472179	3XE446	PARGN	411253
3H2008	CATER	416624N	3K3065	CATER	473237	3P003087	BORGW	415003	3Y224	GWJ	415001
3H2019	CATER	471787	3K9121	CATER	415035	3P003087	BORGW	415458	3Y224	GWJ	455001
3H2118	LEYLD	472164	3K9121	CATER	415953	3P003088	BORGW	415034	3Y393	CHRY	450291
3H2129	AU-WS	471192	3K9612	CATER	411275V	3P003089	BORGW	416865	3Y393	CHRY	471141
3H7047	AU-WS	473228	3K9619	CATER	411275V	3P003091	BORGW	415234	3Y393	GWJ	450291
3H7047	AU-WS	481837	3K9704	CATER	411376	3P003094	BORGW	416071	3Y393	GWJ	471141
3H995	CATER	417343	3L0642	CATER	415098N	3P003100	BORGW	473228	3Y393	IH	450291

INTERCHANGE SECTION

COMPETITIVE INTERCHANGES



Mfr No.	Mfr. National	Mfr No.	Mfr. National	Mfr No.	Mfr. National	Mfr No.	Mfr. National
3Y393	IH 471141	4000333	TW-CO 471765	400260075	TROS 455012	400512	UNIVE 417356
3Y393	WHITE 450291	40003162	AA&M 710491	4002600925	TROS 475012N	400512	UNIVE 455188
3Y393	WHITE 471141	40003163	AA&M 710648	40026010	TROS 475012N	40051283	AA&M 710497
3Y569	GWI 450121	40003164	AA&M 710497	40027S	TIMKE 40027S	400513	MICH 417356
3Y569	GWI 472409	40003760	ALFAR 227409	40028	CLARK 416921	400513	MICH 455188
4046368	FORD 3772	40003760	FIAT 227409	40028	CLARK 455011	400525	MICH 417357
4664143	FORD 100944	40003760	IVECO 227409	4003	CABOT 415995	400525	MICH 455192
44055	IPS 473823	40004000	AUTOB 227040	4003	CABOT 455013	40053191	AA&M 710866
47198	FLXIB 416865	40004000	FIAT 227040	4003	FAIRB 415995	40053351	AA&M 710542
47198	FLXIB 455070	40004270	AUTOB 224025	4003	FAIRB 455013	40053S	NATL 473213
47198	TW-CO 416865	40004270	FIAT 224025	4003	GR-DV 415995	400550	MICH 415036
47198	TW-CO 455070	40004290	AUTOB 227040	4003	GR-DV 455013	400550	UNIVE 415036
4AL1327	MACK 240023	40004290	FIAT 227040	4003	GWI 415995	400575	MICH 415041
4AL1328	MACK 471571	40004300	FIAT 227409	4003	GWI 455013	400575	UNIVE 415041
4001642	TW-CO 450078	40004310	ALFAR 227409	40030004	TROS 45013S	40059S	TIMKE 40059S
4001642	TW-CO 473444	40004310	FIAT 227409	40030007	TROS 415013	40060	GARLK 471442
4001643	TW-CO 473238	40004330	ALFAR 223005	40030007	TROS 415995	400600	MICH 417509
400	UNIVE 417357	40004330	FIAT 223035	400300075	TROS 415995	400600	UNIVE 417509
400	UNIVE 455192	40004460	AUTOB 223035	400300075	TROS 455013	400625	MICH 417223
40001660	MERCE 1999	40004460	FIAT 223035	40030007C	TROS 415836	4006257	EUCLD 417115
40001900	IVECO 229005	40004510	FIAT 222860	40030007C	TROS 415995	4006257	GMC 417115
40001920	MERCE 416156	4000467R91	IH 416404	4003000925	TROS 415836	4006259	EUCLD 417016
40000	C-R 417357	40004750	FIAT 3774	4003000925	TROS 415995	4006263	EUCLD 416951
40000	SKF 417357	4000527R91	IH 417351	40030010	TROS 415836	4006263	GMC 416951
40000040	AUTOB 227040	4000527R91	IH 455154	40030010	TROS 415995	40063S	TIMKE 40063S
40000040	FIAT 227040	4000531R91	IH 415304	400308075	TROS 416404	40064S	NATL 471821
40000040	IVECO 227040	4000531R91	IH 476470	40030812	TROS 416404	400659	C-R 710045
40000040	SEAT 227040	40006689	AA&M 710474	40035	C-R 370015A	400659	SKF 710045
40000050	AUTOB 224025	40007630	AA&M 710491	40035	SKF 370015A	400667	RACIN 450188
40000050	FIAT 224025	40007712	AA&M 710536	40036	C-R 416130	4006B	JN-MN 416476
40000050	IVECO 224025	40009	DENCO 470163	40036	SKF 416130	4006B	JN-MN 455075
40000050	SEAT 224025	40009	DENCO 471766	40037	GEM 471224	40071426	AA&M 710636
40000050	YUGO 224025	40009402	AA&M 710497	40037575	AA&M 710888	40071S	TIMKE 40071S
400001	WAYNE 417495	40011315	AA&M 710648	40037764	AA&M 710548	40072	GARLK 471526
4000015	GMC 412920	40012061	AA&M 710563	40038875	AA&M 710648	40075	MASTE 340413
40000180	ALFAR 222860	4001449	ALLCH 472394	4003CR	F-R-H 415995	40075	TROS 450073
40000180	FIAT 222860	40014490	ALLCH 472394	4003CR	F-R-H 455013	40077	C-R 417507
40000180	IVECO 222860	4001456	ALLCH 472394	4003DBL	GWI 415836	40077	SKF 417507
40000180	SEAT 222860	4001459	GWI 415295	4003DBL	GWI 415995	40078	C-R 417507
40000260	FIAT 222860	40014744	AA&M 710497	40040	C-R 370015A	40078	SKF 417507
40000260	IVECO 222860	40015029	AA&M 710564	40040	C-R 370066A	4007B	JN-MN 418028
400003239	WHITE 416047	40017140	AA&M 710558	40040	SKF 370015A	4007B	JN-MN 455137
400003239	WHITE 416332	4001OS	JN-MN 450316	40040	SKF 370066A	4007B391	WGEAR 450536
40000470	AUTOB 223035	4001OS	JN-MN 472636	4004130	EUCLD 417554	4007B391	WGEAR 471535
40000470	FIAT 223035	400228K	CLARK 416921	4004130	GMC 417554	4008	C-R 4701N
40000470	SEAT 223035	400228K	CLARK 455011	4004136	GMC J1138	4008	SKF 4701N
40000470	YUGO 223035	40023	GEM 480630	4004199	GMC J1136	40081	GARLK 471472
40000810	FIAT 223014	40023	MACK 480630	40042LDS	JN-MN 416271	40084	AMC 450040
40000810	SEAT 223014	400235	JEFF 470358	40043LDS	JN-MN 473231	400842R91	IH 470737N
40000LDS	JN-MN 473214	400235	JEFF 473231	4004496	GMC 415303	40085	C-R 370066A
40001660	FIAT 1999	40024218	AA&M 710549	40047374	AA&M 710864	40085	SKF 370066A
40001710	AA&M 4762N	40024349	AA&M 710686	400487	UNIVE 415187	400855C91	IH 370007A
40001880	IVECO 227540	40024807	TROS 415272N	400488	MICH 415187	40086	C-R 370066A
40001880	IVECO 227550	40024807	TROS 416706	40049	C-R 415036	40086	SKF 370066A
40001920	IVECO 416156	40024807C	TROS 415272N	40049	SKF 415036	40088	C-R 370066A
40001930	IVECO 231250	400256075	TROS 416921	400499	UNIVE 415035	40088	SKF 370066A
40001930	MERCE 231250	400256075	TROS 455011	400499	UNIVE 415953	40089	C-R 455513N
40001LDS	JN-MN 415379	40025610	TROS 416921	400500	MICH 415035	40089	SKF 455513N
40001LDS	JN-MN 455379	40026004	TROS 43086S	400500	MICH 455035	4008999	GWI 472439
40002870	FIAT 222860	400260075	TROS 416654	40050495	AA&M 710687	40091	C-R 370036A

INTERCHANGE SECTION

COMPETITIVE INTERCHANGES

Mfr No.	Mfr.	National	Mfr No.	Mfr.	National	Mfr No.	Mfr.	National	Mfr No.	Mfr.	National
40091	C-R	370065A	40130	SKF	380036A	40147	SKF	370023A	402270T000	NISSA	710177
40091	C-R	370066A	40133	AMC	473215	40147	SKF	370036A	4022731G00	NISSA	710398
40091	C-R	370349A	40133	C-R	370036A	40147	SKF	370349A	4022731G01	NISSA	710071
40091	C-R	380036A	40133	C-R	370349A	40147	SKF	380023A	4022750Y01	NISSA	710125
40091	SKF	370036A	40133	C-R	380036A	40147	SKF	380036A	4022750Y11	NISSA	710125
40091	SKF	370065A	40133	SKF	370036A	401470	CONTI	471267	4022750Y55	NISSA	710125
40091	SKF	370066A	40133	SKF	370349A	401471	CONTI	471652	4022773000	NISSA	1973
40091	SKF	370349A	40133	SKF	380036A	401472	ALLCH	450173	402277F000	NISSA	710071
40091	SKF	380036A	40134	C-R	370036A	401472	CONTI	450173	4022790001	NISSA	710556
400927	CONTI	417191	40134	C-R	370349A	40151	AMC	450084	4022790004	NISSA	710406
400927	CONTI	455165	40134	C-R	380036A	40154S	TIMKE	40154S	4022790012	NISSA	710405
400929	WAYNE	8650S	40134	SKF	370036A	4015601	EUCLD	455035N	40227D0101	NISSA	225650
400966D	OLIVE	340495	40134	SKF	370349A	4015602	EUCLD	456865N	40227D0102	NISSA	225650
40098	TROS	450095	40134	SKF	380036A	40157S	TIMKE	40157S	40227EA000	NISSA	710921
40098	TROS	473464	4013493	WABCO	456799	40158	C-R	417223	40227EA000	SUZUK	710921
400C3	GWI	415836	40135	C-R	370036A	40158	SKF	417223	40227HC450	NISSA	710218
400C3	GWI	415995	40135	C-R	370349A	40162C29	IH	450084	40227M5601	NISSA	710312
400D550	CONE	5170	40135	C-R	380036A	40162S	TIMKE	40162S	40227M5605	NISSA	710312
400W500	CONE	5526	40135	SKF	370036A	40166	GMC	416654	40227Z5000	NISSA	710518
40100510	IVECO	716484	40135	SKF	370349A	40166	GMC	455012	40227Z5001	NISSA	710518
40101S	TIMKE	40101S	40135	SKF	380036A	40166	TROS	224045	4022701E01	NISSA	225650
401024	GMC	5109	40136	C-R	370036A	40169S	TIMKE	40169S	40230S	TIMKE	40230S
401026	GMC	5123	40136	C-R	380036A	40175	AMC	450066	4023201E01	NISSA	225650
40103	TROS	6064	40136	OLIVE	415001	40175	AMC	473367	4023201G00	NISSA	710073
40107	IRON	471270	40136	OLIVE	455001	401774	WAYNE	413247	4023201G10	NISSA	710073
4010784	GWI	417501	40136	SKF	370036A	401774	WAYNE	450350	4023206R00	NISSA	710069
40108	C-R	415041	40136	SKF	380036A	401775	WAYNE	416654	4023206R10	NISSA	710069
40108	IRON	470347	40138	C-R	417509	401775	WAYNE	455012	402320M000	NISSA	710127
40108	IRON	474254	40138	SKF	417509	401783	JEFF	415449	402320P010	NISSA	710439
40108	SKF	415041	40139	C-R	370023A	401783	JEFF	455147	402320P011	NISSA	710439
40108	SPICE	3543	40139	C-R	370036A	4018068	GMC	415379	402320P015	NISSA	710439
401081	SPICE	3543	40139	C-R	380023A	4018069	GMC	412473	402320P016	NISSA	710439
401082	SPICE	3543	40139	C-R	380036A	4018069	GMC	415894	4023216500	NISSA	1188
40109	SPICE	340385	40139	SKF	370023A	4018377	GMC	415227	4023221000	NISSA	1183
401093	SPICE	340835	40139	SKF	370036A	40184	NATL	471571	4023221B00	NISSA	710292
4010900	FIAT	222860	40139	SKF	380023A	401905R91	IH	417509	402322F001	NISSA	710108
4011035	WOOL	55301S	40139	SKF	380036A	40191	SPICE	473814	4023230F00	NISSA	710128
401179	ALLCH	410312N	40140S	TIMKE	40140S	40191	VIC	473814	4023230R10	NISSA	710108
401180	ALLCH	417134	401418D	OLIVE	340151	401914R91	IH	412943	4023230R11	NISSA	710108
4011CG13	IH	473228	401418E	OLIVE	340151	4019164	EUCLD	9555S	4023231G00	NISSA	710072
401202	MECH	370001A	401418E	WHITE	340151	4019N	TIMKE	4019N	4023233P00	NISSA	710108
401202	MECH	380001A	401440D	OLIVE	6590S	401HH101	DANA	4624V	4023233P10	NISSA	710108
401204	MECH	370048A	401440E	MINNM	6590S	401HH102	DANA	710008	4023233P55	NISSA	710108
401204	MECH	370182A	40146	C-R	370023A	401HH103	DANA	4624V	4023241W00	NISSA	1986
401204	MECH	380048A	40146	C-R	370036A	401HH104	EATON	415013N	4023241W01	NISSA	1986
401218C91	IH	472015	40146	C-R	370349A	4020015	ALLCH	455200N	4023250W00	NISSA	710072
401218C92	IH	412015V	40146	C-R	380023A	40201	GARLK	471466	4023250W01	NISSA	710072
401219C91	IH	415379	40146	C-R	380036A	40201	TROS	414045	4023250Y00	NISSA	710127
401219C92	IH	3893V	40146	SKF	370023A	40202	CUSH	471571	4023250Y10	NISSA	710127
40129	C-R	370036A	40146	SKF	370036A	40202C	CUSH	471571	4023250Y11	NISSA	710125
40129	C-R	370349A	40146	SKF	370349A	40208	TIMKE	40208	4023251E10	NISSA	710464
40129	C-R	380036A	40146	SKF	380023A	40210	C-R	370023A	402328B400	NISSA	710478
40129	SKF	370036A	40146	SKF	380036A	40210	C-R	380023A	402328B500	NISSA	710072
40129	SKF	370349A	401468	CONTI	471442	40210	SKF	370023A	40232A0101	NISSA	1188
40129	SKF	380036A	401469	CONTI	471538	40210	SKF	380023A	40232B5000	NISSA	1974
40130	C-R	370036A	40147	C-R	370023A	40213	GARLK	471264	40232B9500	NISSA	2002
40130	C-R	370349A	40147	C-R	370036A	40218	AMC	481864	40232D0101	NISSA	225225
40130	C-R	380036A	40147	C-R	370349A	40225	GARLK	471255	40232D0111	NISSA	225225
40130	SKF	370036A	40147	C-R	380023A	4022701E00	NISSA	225650	40232D0112	NISSA	225225
40130	SKF	370349A	40147	C-R	380036A	402270M000	NISSA	710125	40232HC400	NISSA	710093

INTERCHANGE SECTION

COMPETITIVE INTERCHANGES



Mfr No.	Mfr.	National	Mfr No.	Mfr.	National	Mfr No.	Mfr.	National	Mfr No.	Mfr.	National
40232M0205	NISSA	1949	40392	TIMKE	40392	40492SA	TRSCM	710022	40603	CASE	473228
40232M0215	NISSA	1949	40395	TIMKE	40395	404941	O-M	471737	40604DM	IH	417196
40232N7100	NISSA	444116	40395S	NATL	40395	40494S	TIMKE	40494S	40607	CASE	471795
4023218000	NISSA	1174	40395S	TIMKE	40395S	40494TA	TRSCM	415035	406078	GMC	9912
40236	ALLCH	415196	403VB7	MARI	415035	40494TA	TRSCM	415953	406085	BUC-E	412871
40237	GARLK	471564	403VB7	MARI	455035	404VB7	MARI	415036	406085	BUC-E	450329
4024561	ALLCH	8165	404	UNIVE	416891	4050229	ALLCH	470088	406089	GMC	8940S
4024562	ALLCH	456641	40400	GMC	470088	4050298	ALLCH	410694	40610	CASE	415991
402477	JEFF	450301	40400	SPICE	8312	4050B	JN-MN	473225	40610	CASE	415991N
402477	JEFF	472397	40401	TIMKE	40401	4050D	GOODM	416865	40613	CASE	471466
402480	JEFF	415035	40402	NATL	42763	4050D	GOODM	455070	40614	CASE	471689
402480	JEFF	455035	40402	WMG	42763	4050LPD	JN-MN	473225	40615	CASE	471424
4024B	JN-MN	415482	40403	DANA	710065	4051	NATL	5697	40616	CASE	472299
4025270	CUMMI	39804	40403	SPICE	710065	4051B	JN-MN	415090	40619	CASE	450867
402550	MICH	455037	404031	SPICE	710065	40520S	TIMKE	40520S	40619	CASE	470898
402550	UNIVE	455037	40408	ALLCH	450085	405225	H-S	43086S	4061919	ALLCH	472164
402575	MICH	455024	40408	ALLCH	470530	40522S	TIMKE	40522S	40622	CASE	455151
40259	GEM	450593	4040H20	JA-MI	416288	4052468	FIAT	494117	406279	CATER	471689
40260	TROS	1012N	4040H20	JAE	416288	40524SA	TRSCM	455192	40633	AMC	6949S
40263	TROS	415437	4040N	TIMKE	4040N	405285	JEFF	417600	40633	CASE	6949S
40267	MANT	416229	40410S	TIMKE	40410S	405297	JEFF	450389	40634	CASE	450444
4026706	ALLCH	J1081	404116	GMC	8705S	405297	JEFF	472492	40634	CASE	471835
402726	ALLCH	411253	40416	NATL	351487	4052D	GOODM	417541	40635	CASE	415498
402726	ALLCH	450099	40420	ALLCH	415001	4053301J00	NISSA	710070	40635	HYST	415498
40285	SPICE	6358	40420	ALLCH	455001	405366C91	IH	415086N	40635	VIC	9613S
402856R91	IH	416125	40427	GARLK	470954	405366C91	IH	417487	40637	CASE	470954
40286	TIMKE	40286	404294	GMC	2043	405367C91	IH	417484N	40638	CASE	450185
4028862	ALLCH	7568	40433S	TIMKE	40433S	405367C91	IH	475322N	40638	CASE	473229
4028922	ALLCH	7568	40438S	TIMKE	40438S	405368C91	IH	475009N	40639	CASE	450067
4028OS	JN-MN	415984	4043977	ALLCH	415035	4053B	JN-MN	417344	40639	CASE	473228
40301S	TIMKE	40301S	4043977	ALLCH	455035	4053B	JN-MN	455006	40640	CASE	417344
40302	TROS	450274	40439770	ALLCH	415035	4054B	JN-MN	417181	40640	CASE	455006
403066R91	IH	335924N	40439770	ALLCH	455035	4055358	FIAT	223535	40641	CASE	416865
4030B	JN-MN	471192	40440	VIC	5MR1300	4055358	SEAT	223535	40642	CASE	470120
40316S	TIMKE	40316S	40446	GARLK	471554	40554	SPICE	4244	40642	CASE	471224
4032450	CHRYSLER	4250	4044664	IVECO	224252	40555	TIMKE	40555	40646	CASE	200110
4032450	MOPAR	4250	404489R91	IH	415025	40555S	NATL	40555	406464	CATER	473196
4033	EATON	415988	404499	UNIVE	455134	40555S	TIMKE	40555S	406525	MICH	455194
403307	GMC	9912	404525	MICH	415142	40564SA	TRSCM	455513	406525	UNIVE	455194
4033261	ALLCH	416865	404525	UNIVE	415142	40566	NATL	40566S	40652S	TIMKE	40652S
4033261	ALLCH	455070	404550	MICH	417512	40566	TROS	40566S	406550	MICH	417513
40337S	TIMKE	40337S	404550	UNIVE	417512	40566	WMG	40566S	406550	UNIVE	417513
4035642	HR-DV	450183	404575	MICH	415043	405661	ALLCH	415272N	406575	MICH	417514
4035642	HR-DV	472179	404575	UNIVE	415043	40566S	TIMKE	40566S	406575	UNIVE	417514
4035756	EUCLD	417608	40458	GARLK	471567	40568S	TIMKE	40568S	40658	CASE	43089S
4035756	GW	417608	4045D	SHEP	411253	40570	SPICE	710204	40659	CASE	472439
40360	C-R	6864S	4045D	SHEP	450099	4057006	CHRYSLER	3173	4065B	JN-MN	455121
40360	SKF	6864S	404600	MICH	455203	4057006	CHRYSLER	710928	406600	MICH	455024
4036340	ALLCH	7568	404600	UNIVE	455203	40576S	TIMKE	40576S	406600	UNIVE	417515
403689	WHITE	473473	404625	MICH	455056	4057B4	WGEAR	471651	406625	MICH	417516
403692D	OLIVE	204002	404625	UNIVE	455056	4057B5	WGEAR	416664	406625	UNIVE	417516
40370S	TIMKE	40370S	4046341X	SPICE	39930	4057B5	WGEAR	455364	406651R91	IH	470625
40375	TIMKE	40375	4046361X	SPICE	39920	4058047	CHRYSLER	2506	406660	US-EL	340009S
4037B	JN-MN	417541	404631	SPICE	330749V	405VB7	MARI	416891	406748	GMC	225230
40382	TIMKE	40382	40468	TIMKE	40468	40600	CASE	470169	406748	OPEL	225230
40385S	NATL	330385	40488	GARLK	471643	40600	CASE	473214	406752	GMC	224520
403899	GMC	8705S	4048B	JN-MN	416666	406003	US-EL	340469	406752	OPEL	224520
40389S	TIMKE	40389S	4049266	CHRYSLER	5650	40601	CASE	417486	40678	GARLK	471267
4039042	HR-DV	470163	40492SA	TRSCM	345035	40602	CASE	471795	40687	GARLK	471570
4039042	HR-DV	471766	40492SA	TRSCM	475845	40603	CASE	450067	406898	EATON	370063A

INTERCHANGE SECTION

COMPETITIVE INTERCHANGES

Mfr No.	Mfr.	National	Mfr No.	Mfr.	National	Mfr No.	Mfr.	National	Mfr No.	Mfr.	National
4068B	JN-MN	416892	408537	GMC	9912	410083	NATL	472924	410575	MICH	417520
406902R91	IH	471341	408537	UNIVE	415196	410083	WMG	472924	410575	UNIVE	417520
4069B	JN-MN	410520	408538	MICH	415196	410085	TIMKE	410085	410600	MICH	416144
4069B	JN-MN	471272	408550	MICH	416891	410085N	TIMKE	410085N	410600	UNIVE	416144
406VB7	MARI	415045	408550	UNIVE	416891	410099	NATL	411253	410625	MICH	417238
406W550	CONE	5170	408575	MICH	415045	4100B	JN-MN	415142	410686N	TIMKE	410686N
406W600	CONE	5537	408575	UNIVE	415045	410101	NATL	412119	410694	TIMKE	410694
40701	TROS	5419	408600	MICH	416137	410101N	TIMKE	410101N	410708	TIMKE	410708
407011	BUC-E	474278	408600	UNIVE	416137	410102	TIMKE	410102	410737	NATL	450737
407011	BUC-E	480356	408605	ALLCH	200912	410119	NATL	470119	410737	NATL	470737
407039	FALKC	415991	408612	UNIVE	417518	410119	TIMKE	410119	410737	TIMKE	410737
407039	FALKC	455146	40861S	TROS	5976S	410120	NATL	471224	410752	TIMKE	410752
407071	BUC-E	450400	408625	MICH	415058	410132	NATL	412920	41075S	TIMKE	41075S
40709	SPICE	4250	408638	H-S	412027	410136	NATL	470625	41079	HYST	470954
4070B	JN-MN	418028	408662	BUC-E	415281N	41013S	TIMKE	41013S	4107B	JN-MN	416921
4070B	JN-MN	455137	4086649	CHRY	710005	410141	NATL	470141	4107B	JN-MN	455011
40710	SPICE	710043	4087B	JN-MN	473016	410141	NATL	6835S	410825	TIMKE	410825
40712	DANA	722109	40880D	IH	415379	410154	NATL	473234	4108542	FIAT	224235
407135	CATER	417211	408900	RACIN	471224	410163	NATL	470163	410855	TW-CO	470548
407136	CATER	415991	4089297	CHRY	710044	410163	TIMKE	410163	410855	TW-CO	470625
407136	CATER	455146	4089297	JEEP	710044	410183N	TIMKE	410183N	410857	TW-CO	40468
40715	GARLK	471646	408991	STUDE	415449	410190	TIMKE	410190	410867N	TIMKE	410867N
4071B	JN-MN	473245	408991	STUDE	455147	41020	GARLK	471649	410972N	TIMKE	410972N
407288	BUC-E	412040	408A152045	TROS	6930	410230	NATL	471689	410987	NATL	450103
4072N	TIMKE	4072N	408VB7	MARI	415351	4102503080	HYUND	7457N	410987	NATL	450686
40730	GARLK	470590	409145	WHITE	415060	4102542	HR-DV	450446	410987	NATL	470987
407407	BUC-E	450441	409208	GMC	9049N	41026S	TIMKE	41026S	410987	TIMKE	410987
407407	BUC-E	471341	40922	TROS	472015	41028	GARLK	471689	410989	NATL	470989
407543	ALLCH	450352	409235	GMC	5778	410298	WMG	473239	410989SSR	BRWNG	470989
407543	ALLCH	472164	409456	BENDI	340413	41035000545227	MACK	717005	4109B	JN-MN	415281N
407544	ALLCH	40494S	4094810	CHRY	716102	410308	NATL	410308	410VB7	MARI	415066
40760	TROS	226020	4094829	CHRY	474288	410308	NATL	450308	411035	WOOL	415072
40769S	TIMKE	40769S	4095OS	JN-MN	471737	410308	NATL	473468	4111035	WOOL	415447
40771S	NATL	340771	40965	HYST	455195	410308	TIMKE	410308	4111171	FIAT	224235
40773	SPICE	470672	40965	HYST	472157	410312N	TIMKE	410312N	41113	GARLK	471652
407760	EATON	370094A	409704	WHITE	417488	410316	TIMKE	410316	411143N	TIMKE	411143N
407810	EVERS	204035	40973S	TIMKE	40973S	41035	SPICE	455194	411160V	TIMKE	411160V
40787S	NATL	340787	4097B	JN-MN	417191	41035000470837	MACK	717004	41117	GARLK	471692
40793	SPICE	5778	4097B	JN-MN	455165	410352	NATL	472164	4112001	CHRY	9316
407932	DANA	5778	4098B	JN-MN	417525	410358	NATL	473231	411245	NATL	455096
4079B	JN-MN	471231	4099	TIMKE	4099	4103B	JN-MN	455584	411245	TIMKE	411245
4079T2	WHITE	415004	409910	CATER	471567	410410	NATL	471424	411246	NATL	471737
4079T2	WHITE	417316	409RC	SUL	416892	410433	NATL	471138	41125	C-R	455134
407VB7	MARI	415058	409VB7	MARI	417536	410441	NATL	471341	41125	SKF	455134
408	UNIVE	416892	40X52X7SC	TRSCM	224010	41048	GARLK	471733	411251	TW-CO	410101N
4080B	JN-MN	471646	40X54X55TB	TRSCM	1213N	410496	NATL	410496	411252	TW-CO	470358
408113	STUDE	473475	40X55X8SB	TRSCM	473677	410496	TIMKE	410496	411252	TW-CO	473231
408239	ALLCH	410085	40X58X10	NATL	224235	4104B	JN-MN	481163	411253	NATL	450099
408239	ALLCH	470530	40X62X11	NATL	224045	410519	TIMKE	410519	411253	TIMKE	411253
40830009	TROS	417351	4185644	ASTON	7412S	410520	TIMKE	410520	41126	C-R	6565N
40830009	TROS	455154	410027	NATL	471554	410524	TIMKE	410524	41126	SKF	6565N
40830809	TROS	416011	41004	GARLK	471224	4105388	CHRY	3655	41126702CA	RELEE	415559
40830809	TROS	417621	41004	TROS	330385	4105389	CHRY	3655	411275	TIMKE	411275V
40830811	TROS	5578	410049	NATL	471750	4105395	CHRY	3655	411275	WMG	415304
408342	CATER	471760	410059	NATL	470059	4105396	CHRY	4040N	411275	WMG	476470
408450	CATER	471224	410059	TIMKE	410059	410550	MICH	455197N	411275R	PAARS	416470N
408525	MICH	455195	410066	NATL	471419	410550	UNIVE	455197N	411275V	TIMKE	411275V
408525	MICH	472157	410066	NATL	473367	410552	NATL	470565	41128	GARLK	470712
408525	UNIVE	416556	410071	NATL	472439	410553	NATL	470553	411330	TIMKE	411330
408525	UNIVE	472157	410076	NATL	470334	410554S	NATL	40154S	411330N	NATL	411330

INTERCHANGE SECTION

COMPETITIVE INTERCHANGES



Mfr No.	Mfr.	National	Mfr No.	Mfr.	National	Mfr No.	Mfr.	National	Mfr No.	Mfr.	National
411330N	TIMKE	411330N	412188	STUDE	414268	41315	MALL	350974	414467C91	IH	370037A
411336	WHITE	450352	412188	STUDE	450539	413246	TIMKE	413246	414467C91	IH	370338A
411336	WHITE	472164	41220	SPICE	473227V	413246N	NATL	470574N	414467C91	NAVST	370037A
411336A	WHITE	450352	41220	VIC	473227	413246N	NATL	483246N	414467C91	NAVST	370338A
411336A	WHITE	472164	41224	GARLK	471413	413246N	TIMKE	413246N	41452	HYST	410312N
411337	NATL	471337	41224S	WMG	40120	413247	NATL	450350	41453	HYST	472409
411348	TIMKE	411348	4122B	JN-MN	415085	413247	TIMKE	413247	41454	GARLK	473227
411376	NATL	455093	4122B	JN-MN	456648	413248	NATL	413248	41454	HYST	415074
411376	TIMKE	411376	4123	MINMA	417351	413248	TIMKE	413248	41455	DANA	5778V
41138	GARLK	471763	4123	MINMA	455154	4132584	FIAT	1209	41455	HYST	417172
411394	NATL	450317	41232	GARLK	471737	4133B	JN-MN	457874	41455	SPICE	5778V
411394	TIMKE	411394	41241	TROS	455536	413469	NATL	413469	414551	SPICE	5778V
4113B	JN-MN	471762	41246	GARLK	471766	413469	TIMKE	413469	41456	HYST	473475
411500	TIMKE	411500	412473	NATL	415894	413470	TIMKE	413470	414575	MICH	417525
41152	C-R	5526	412473	TIMKE	412473	413472	TIMKE	413472	414575	UNIVE	417525
41152	SKF	5526	412550	MICH	415196	413478	TIMKE	413478	41460	WAUKE	471785
41162702BD	RELEE	471272	412550	UNIVE	415196	413479	TIMKE	413479	414600	MICH	417526
41162702BH	RELEE	471138	41257	NATL	3677	41348	GARLK	472258	414600	UNIVE	417526
41162702CA	RELEE	415559	41257	TIMKE	41257	41351	MALL	481644	41460A	WAUKE	471785
41162702CJ	RELEE	416865	412575	MICH	415047	413536	H-S	412119	41461S	TIMKE	41461S
41162702DE	RELEE	473228	412575	UNIVE	415047	413536	H-S	450101	41462	GARLK	470625
41162702BJ	RELEE	415995	412600	MICH	416149	413539	H-S	450076	414625	MICH	415351
41162702CE	RELEE	416888	412600	UNIVE	416149	413539	H-S	470334	4146908	FIAT	1174
41162702CL	RELEE	416107	41262	GARLK	471795	413561	H-S	416664	4146916	FIAT	224040
41162702CR	RELEE	416664	412625	MICH	415060	413561	H-S	455364	414692	WHITE	412473
41162702CX	RELEE	470898	41263	IH	415551	413577	H-S	450115	414692	WHITE	415894
4116366	CHRYSL	5131	41264	IH	417254	413577	H-S	473467	41472	GARLK	470380
4116366	MOPAR	5131	41264S	TIMKE	41264S	4136	TEKNI	470219	4148	TIMKE	4148
4116366AB	CHRYSL	5131	41265	C-R	417512	4136	TEKNI	471649	414858	WHITE	472287
41163T	TIMKE	41163T	41265	SKF	417512	41360	GARLK	471192	4148B	JN-MN	411253
41170	C-R	417511	412669C91	IH	475368N	413619	WHITE	415351	4148B	JN-MN	450099
41170	SKF	417511	4126893	CHRYSL	3677	41368	GARLK	473214	41492	GARLK	473228
41185	C-R	415142	412699C91	IH	475368N	4137283	CHRYSL	9316	41494SA	TRSCM	455134
41185	SKF	415142	412725	TIMKE	412725	4137314	CHRYSL	710067	414958	WHITE	472287
4118B	JN-MN	417603	412798N	TIMKE	412798N	4137314	MOPAR	710067	41498	GARLK	473228
41190D	IH	470120	4127B	JN-MN	417073	4137426	CHRYSL	8835S	4149B	JN-MN	470120
41190D	IH	471224	4128	SKIL	40027S	4137426	JEEP	8835S	4149B	JN-MN	471224
411944	NATL	472924	41281S	NATL	471281	413752C91	IH	415027	414VB7	MARI	416888
41195YA	AVCO	240470	412861	TIMKE	412861	413753C1	IH	415138	414VB7	MARI	455200
411A30805	TROS	8976S	41287	C-R	415043	413753C91	IH	415138	415001	NATL	455001
411VB7	MARI	416167	41287	SKF	415043	4137744	CHRYSL	473814	415001	TIMKE	415001
411VB7	MARI	455091	412871	NATL	450329	4137765	CHRYSL	722108	415001N	TIMKE	415001N
412	UNIVE	417247	412871	TIMKE	412871	4137766	CHRYSL	4250	415003	TIMKE	415003
412015V	TIMKE	412015V	4128B	JN-MN	413469	41378	GARLK	473215	415004	TIMKE	415004
412027	TIMKE	412027	412920	NATL	450132	4138B	JN-MN	471532	415004V	TIMKE	415004V
412028	TIMKE	412028	412920	NATL	472920	4139B	JN-MN	473471	415006	NATL	417344
412038N	TIMKE	412038N	412920	TIMKE	412920	413VB7	MARI	415196	415007	TIMKE	415007
412040	TIMKE	412040	412920V	TIMKE	412920V	414	UNIVE	417267	415009	TIMKE	415009
412065	WHITE	410694	412943	TIMKE	412943	41403	CHRYSL	473450	415009N	TIMKE	415009N
412066	WHITE	416921	412K1	WHITE	450400	414045	TIMKE	414045	415011	NATL	416921
412066	WHITE	455011	412RC	SUL	471567	4140B	JN-MN	471413	415012V	TIMKE	415012V
412119	NATL	450101	412VB7	MARI	417357	4141	TIMKE	4141	415013	TIMKE	415013
412119	NATL	472856	412VB7	MARI	455192	41413S	NATL	40140S	415013N	TIMKE	415013N
412119	TIMKE	412119	41305	C-R	455203	414268	NATL	450539	415016N	TIMKE	415016N
412178	CATER	471652	41305	SKF	455203	414268	TIMKE	414268	415021	TIMKE	415021
412179	CATER	472258	41308	AVCO	350414	4143	TIMKE	710403	415023	TIMKE	415023
412180	CATER	471612	41308	AVCO	472311	41432	OLIVE	415001	415025	TIMKE	415025
412181	CATER	472649	4130B	JN-MN	450076	41432	OLIVE	455001	415027	NATL	455027
412187	CATER	472164	4130B	JN-MN	470334	41436D	IH	417211	415027	TIMKE	415027
412187	STUDE	450523	4131	TIMKE	4131	4143D5	WHITE	35949N	415027H	TIMKE	415027H

INTERCHANGE SECTION

COMPETITIVE INTERCHANGES

Mfr No.	Mfr.	National	Mfr No.	Mfr.	National	Mfr No.	Mfr.	National	Mfr No.	Mfr.	National
415027N	TIMKE	415027N	415213N	TIMKE	415213N	415489	NATL	417603	415988	TIMKE	415988
415034	NATL	455034	415219	TIMKE	415219	415498	TIMKE	415498	415991	NATL	415146
415034	TIMKE	415034	415227	TIMKE	415227	41550	C-R	9128S	415991	NATL	415991N
415035	NATL	415953	4152319	FIAT	222860	41550	SKF	9128S	415991	NATL	455146
415035	NATL	455035	415234	TIMKE	415234	41555	C-R	2064	415991	TIMKE	415991
415035	TIMKE	415035	415248N	TIMKE	415248N	41555	SKF	2064	415991N	TIMKE	415991N
415036	TIMKE	415036	415254	TIMKE	415254	415551	TIMKE	415551	415995	NATL	415013
415041	TIMKE	415041	415259	TIMKE	415259	415551V	TIMKE	415551V	415995	NATL	415836
415043	TIMKE	415043	415263	TIMKE	415263	415559	TIMKE	415559	415995	NATL	455013
415045	TIMKE	415045	41526S	TIMKE	41526S	415563	TIMKE	415563	415995	TIMKE	415995
415047	TIMKE	415047	415272N	TIMKE	415272N	415577	TIMKE	415577	415995V	NATL	415013N
415052	TIMKE	415052	415281	NATL	415281N	41560	TROS	473463	415995V	NATL	455995N
415053	NATL	415138	415281N	TIMKE	415281N	415610	TIMKE	415610	415995V	TIMKE	415995V
415053	WMG	415138	415281N	WMG	417349	41561S	TROS	473435	4159A	WAYNE	470045
415058	TIMKE	415058	415284	TIMKE	415284	415627	TIMKE	415627	4159A	WAYNE	476838
415060	TIMKE	415060	415294	NATL	455294	415645	NATL	455104	4159B	JN-MN	481163
415064	TIMKE	415064	415294	TIMKE	415294	415645	TIMKE	415645	415VB7	MARI	416154
415066	TIMKE	415066	415295	TIMKE	415295	415656	TIMKE	415656	4160	TIMKE	4160
415068	NATL	417269	4152A	WAYNE	472015	41566	GARLK	473230	416008	TIMKE	416008
41507	ALLCH	415035	415302	TIMKE	415302	415683	TIMKE	415683	416011	NATL	2291
41507	ALLCH	455035	415303	TIMKE	415303	415697	NATL	455547	416011	TIMKE	416011
415070	NATL	416865	415304	TIMKE	415304	415697	TIMKE	415697	416024	TIMKE	416024
415072	TIMKE	415072	415317	TIMKE	415317	415711	TIMKE	415711	416029	TIMKE	416029
415074	TIMKE	415074	415322	TIMKE	417484	415725	TIMKE	415725	416029N	NATL	416029
415076	TIMKE	415076	415327	TIMKE	415327	41572S	NATL	43076S	416029N	TIMKE	416029N
415077	TIMKE	415077	415349	TIMKE	415349	41576	GARLK	473231	416039	TIMKE	416039
415082	TIMKE	415082	415350	TIMKE	415350	41579	SPICE	473135V	416041	TIMKE	416041
415082N	TIMKE	415082N	415351	NATL	370020A	415832	TIMKE	415832	416043	TIMKE	416043
415085	NATL	456648	415351	NATL	415351	415836	TIMKE	415836	416044	TIMKE	416044
415085	TIMKE	415085	415351	TIMKE	415351	415836N	TIMKE	415836N	416047	TIMKE	416047
415086N	TIMKE	415086N	415354	NATL	416404	415854	TIMKE	415854	416070	TIMKE	416070
415088	NATL	415088	41536	TIMKE	41536	415857	TIMKE	415857	416071	TIMKE	416071
415088	NATL	455088	41537	TIMKE	41537	415861C91	IH	415164N	416077	TIMKE	416077
415088	TIMKE	415088	415371	TIMKE	415371	415867	TIMKE	415867	416102	TIMKE	416102
41509	TIMKE	41509	415379	NATL	455379	415871	TIMKE	415871	416107	NATL	455073
415090	TIMKE	415090	415379	NATL	475379	415876	TIMKE	415876	416107	TIMKE	416107
415095	NATL	416271	415379	TIMKE	415379	415876V	TIMKE	415876V	416112	TIMKE	416112
415098N	TIMKE	415098N	415389	TIMKE	415389	415894	TIMKE	415894	416125	TIMKE	416125
4150N	WMG	710096	415389N	TIMKE	415389N	415897	TIMKE	415897	416127	TIMKE	416127
41510	TIMKE	41510	415394	TIMKE	415394	415899N	TIMKE	415899N	416130	TIMKE	416130
415105	NATL	415938	415425	TIMKE	415425	4159	WAYNE	470045	416135	TIMKE	416135
415115	NATL	416077	415436	TIMKE	415436	4159	WAYNE	476838	416137	TIMKE	416137
415116	TIMKE	415116	415437	NATL	455173	41590	GARLK	473010	416144	TIMKE	416144
415124	TIMKE	415124	415437	TIMKE	415437	415915C91	IH	712625	416147	TIMKE	416147
415128	TIMKE	415128	415442	TIMKE	415442	415937	TIMKE	415937	416149	TIMKE	416149
415137	TIMKE	415137	415447	TIMKE	415447	415938	TIMKE	415938	416153	NATL	416153
415138	TIMKE	415138	415449	NATL	415147	415953	NATL	415035	416153	TIMKE	416153
415142	TIMKE	415142	415449	NATL	455147	415953	TIMKE	415953	416154	TIMKE	416154
415146	TIMKE	415146	415449	TIMKE	415449	415958	NATL	455958	416156	TIMKE	416156
415146N	WMG	415991	415449V	TIMKE	415449V	415958	TIMKE	415958	416158	TIMKE	416158
415146N	WMG	415991N	415458	NATL	415003	415960	NATL	415009	416163	TIMKE	416163
415147	TIMKE	415147	415458	NATL	455003	415960	NATL	455009	416167	NATL	455091
415147N	TIMKE	415147N	415458	NATL	475458	415960	TIMKE	415960	416167	TIMKE	416167
415150	TIMKE	415150	415458	TIMKE	415458	415962	TIMKE	415962	416191	TIMKE	416191
415156N	TIMKE	415156N	415458V	TIMKE	415458V	41598	GARLK	473232	4161B	JN-MN	416339
415164N	TIMKE	415164N	415469	WHITE	415458	415983	TIMKE	415983	4161B	JN-MN	455031
415187	TIMKE	415187	415469	WHITE	455003	415983N	NATL	415983	4162	O-M	471442
415192N	TIMKE	415192N	415482	TIMKE	415482	415983N	TIMKE	415983N	4162	TIMKE	4162
415196	TIMKE	415196	415483	NATL	455368	415983V	TIMKE	415983V	416229	TIMKE	416229
415200	NATL	416888	415483	TIMKE	415483	415984	TIMKE	415984	41623208	TROS	355732

INTERCHANGE SECTION

COMPETITIVE INTERCHANGES



Mfr No.	Mfr.	National	Mfr No.	Mfr.	National	Mfr No.	Mfr.	National	Mfr No.	Mfr.	National
416239	NATL	416239	416500	TIMKE	416500	41710003	CENTC	224252	41743003	CENTC	473179
416239	TIMKE	416239	416550	MICH	416888	41717000	CENTC	470898	41743004	CENTC	710357
41624810	TROS	416282	416550	MICH	455200	41720003	CENTC	473454	41743005	CENTC	473812
41624812	TROS	476283N	416550	UNIVE	416888	41725000	CENTC	471192	41743006	CENTC	710194
416252075	TROS	411348	416550	UNIVE	455200	41725001	CENTC	472164	41743007	CENTC	710192
416257	TIMKE	416257	416556	TIMKE	416556	41725002	CENTC	473241	41743008	CENTC	710309
416267	TIMKE	416267	416557	TIMKE	416557	41725003	CENTC	473234	41743009	CENTC	471950
416268	TIMKE	416268	416563	MICH	416153	41729000	CENTC	472492	41744000	CENTC	4899
416270	TIMKE	416270	416575	MICH	416892	41730000	CENTC	471224	41744001	CENTC	1993
416271	TIMKE	416271	416575	UNIVE	416892	41730001	CENTC	480991	41744002	CENTC	225220
416273	NATL	416273	416600	MICH	416154	41730002	CENTC	223510	41744003	CENTC	1960
416273	TIMKE	416273	416600	UNIVE	416154	41733000	CENTC	1962	41744004	CENTC	226285
416278	TIMKE	416278	416624	TIMKE	416624	41733001	CENTC	224462	41744005	CENTC	223840
416282	TIMKE	416282	416624N	TIMKE	416624N	41733002	CENTC	1217	41744006	CENTC	225410
416285	TIMKE	416285	416625	MICH	415351	41733003	CENTC	1209	41744007	CENTC	225673
416288	TIMKE	416288	416654	NATL	455012	41734000	CENTC	224235	41744008	CENTC	223605
416292	TIMKE	416292	416654	TIMKE	416654	41734001	CENTC	224250	41744009	CENTC	710076
416294	TIMKE	416294	416657	TIMKE	416657	41734002	CENTC	226020	41744010	CENTC	1956
416294V	TIMKE	416294V	416664	NATL	455364	41735001	CENTC	710764	41744011	CENTC	710572
416297	TIMKE	416297	416664	TIMKE	416664	41738001	CENTC	710259	41744012	CENTC	710092
4162B	JN-MN	450083	416666	TIMKE	416666	41739000	CENTC	482126	41744013	CENTC	1941
4162B	JN-MN	472924	416670	TIMKE	416670	41739001	CENTC	1176	41744014	CENTC	1950
416300075	TROS	417487	416674V	TIMKE	416674V	41739002	CENTC	710215	41744016	CENTC	5695
416300075	TROS	455086	416706	NATL	455272	41740000	CENTC	473367	41744018	CENTC	712938
41630010	TROS	417487	416706	TIMKE	416706	41740001	CENTC	494117	41744019	CENTC	1928
41630010	TROS	455014	416738	NATL	450096	41740002	CENTC	710337	41744021	CENTC	1959
41630810	TROS	415016N	416738	TIMKE	416738	41740007	CENTC	710097	41744022	CENTC	225275
41631210	TROS	456105	4167735	CHRY	3946	41740008	CENTC	710293	41744023	CENTC	5685
416313	TIMKE	416313	416775	TIMKE	416775	41740009	CENTC	710148	41744024	CENTC	710178
41631606	TROS	476470	4167908	CHRY	473313	41740010	CENTC	1936	41744028	CENTC	710574
416316075	TROS	476470	4167917	CHRY	482163N	41742000	CENTC	710108	41744033	CENTC	710576
41631610	TROS	455018	4167929	CHRY	3173	41742001	CENTC	710072	41744036	CENTC	710572
41631610	TROS	476470	4167929	CHRY	710928	41742002	CENTC	710127	41745000	CENTC	1932
41632010	TROS	416292	4167929	JEEP	3173	41742003	CENTC	710125	41745001	CENTC	1213N
416321	TIMKE	416321	4167929	JEEP	710928	41742004	CENTC	225650	41745002	CENTC	4990
416327	TIMKE	416327	4167930	CHRY	3946	41742006	CENTC	224045	41745003	CENTC	710323
416332	NATL	416047	416865	NATL	455070	41742007	CENTC	710073	41745004	CENTC	710311
416332	TIMKE	416332	416865	TIMKE	416865	41742008	CENTC	2002	41745005	CENTC	223550
416339	NATL	455031	416888	NATL	455200	41742009	CENTC	223542	41745006	CENTC	710320
416339	TIMKE	416339	416888	TIMKE	416888	41742010	CENTC	710305	41745007	CENTC	710392
416345	NATL	455033	416891	TIMKE	416891	41742012	CENTC	710176	41745008	CENTC	710150
416345	TIMKE	416345	416892	TIMKE	416892	41742014	CENTC	710069	41745009	CENTC	710225
416362	TIMKE	416362	4168B	JN-MN	327303	41742015	CENTC	710107	41745010	CENTC	1126
416364	TIMKE	416364	4168LUP	JN-MN	327303	41742016	CENTC	1188	41745011	CENTC	710094
416370	TIMKE	416370	4169	SKIL	240119	41742017	CENTC	1183	41745012	CENTC	710093
416380	NATL	415196	41690	GARLK	473237	41742022	CENTC	710130	41745013	CENTC	1992
416380	TIMKE	416380	416919	TIMKE	416919	41742023	CENTC	1974	41745015	CENTC	710191
416381	TIMKE	416381	416919N	NATL	416919	41742024	CENTC	444116	41745016	CENTC	225530
416383	TIMKE	416383	416919N	TIMKE	416919N	41742025	CENTC	710312	41746000	CENTC	229522
416394	TIMKE	416394	416921	NATL	455011	41742026	CENTC	710398	41746001	CENTC	225450
4163B	JN-MN	415725	416921	TIMKE	416921	41742027	CENTC	226530	41746002	CENTC	474134
416404	TIMKE	416404	416951	TIMKE	416951	41742029	CENTC	710479	41746004	CENTC	710182
416414	NATL	415991	416956	TIMKE	416956	41742030	CENTC	710439	41746005	CENTC	710183
416414	NATL	415991N	41698	VIC	722109	41742031	CENTC	224270	41746006	CENTC	225010
416422	TIMKE	416422	416VB7	MARI	417267	41742032	CENTC	223400	41746007	CENTC	4989
416444	TIMKE	416444	41702000	CENTC	223035	41742033	CENTC	710128	41746008	CENTC	225875
41647	SPICE	2146	41704000	CENTC	1999	41742034	CENTC	710292	41746009	CENTC	224100
416470N	TIMKE	416470N	41704002	CENTC	472213	41743000	CENTC	710168	41746010	CENTC	1196
416476	NATL	455075	41704003	CENTC	223014	41743001	CENTC	710098	41746011	CENTC	225082
416476	TIMKE	416476	41710000	CENTC	224520	41743002	CENTC	474230	41746013	CENTC	494122

INTERCHANGE SECTION

COMPETITIVE INTERCHANGES

Mfr No.	Mfr. National	Mfr No.	Mfr. National	Mfr No.	Mfr. National	Mfr No.	Mfr. National
41746014	CENTC 710437	41762006	CENTC 331301N	41765001	CENTC 370247A	41768007	CENTC 416273
41746015	CENTC 710338	41762008	CENTC 9406S	41765003	CENTC 4160	41768008	CENTC 455860
41747000	CENTC 223830	41762009	CENTC 7934S	41765005	CENTC 710519	41768009	CENTC 481837
41747001	CENTC 224015	41762010	CENTC 9178S	41765006	CENTC 9864S	41768010	CENTC 472747
41747002	CENTC 225005	41762011	CENTC 5113	41765008	CENTC 493637	41770000	CENTC 442874
41747003	CENTC 710226	41762012	CENTC 470059	41765009	CENTC 710430	41770002	CENTC 451948
41747004	CENTC 710230	41762013	CENTC 470064	41765010	CENTC 6954S	41770003	CENTC 42101S
41747005	CENTC 710529	41762014	CENTC 712146	41765011	CENTC 9568	41770004	CENTC 50151S
41747008	CENTC 1984	41762015	CENTC 3357	41765012	CENTC 710454	41775001	CENTC 710295
41747009	CENTC 710228	41762016	CENTC 5109	41765013	CENTC 710091	41775002	CENTC 710296
41747010	CENTC 710227	41762017	CENTC 5123	41765014	CENTC 51322	41776000	CENTC 710080
41748000	CENTC 710240	41762018	CENTC 5699	41765016	CENTC 410987	41776001	CENTC 710081
41748001	CENTC 710239	41762019	CENTC 7607	41765017	CENTC 472856	41790000	CENTC 223535
41748002	CENTC 710193	41762020	CENTC 8594S	41765018	CENTC 2674	41790001	CENTC 710642
41748003	CENTC 710394	41762021	CENTC 8940S	41765019	CENTC 5827	41790002	CENTC 1012N
41748004	CENTC 710175	41762022	CENTC 8139	41765021	CENTC 7834	41790003	CENTC 225500
41748005	CENTC 4904	41762024	CENTC 4175	41765022	CENTC 5796	41790005	CENTC 1973
41748006	CENTC 710522	41762025	CENTC 5458	41765023	CENTC 450103	41790006	CENTC 224010
41748007	CENTC 710393	41762026	CENTC 5573	41766000	CENTC 8974S	41791000	CENTC 225230
41749000	CENTC 471498	41762027	CENTC 8362	41766001	CENTC 2081	41791001	CENTC 224820
41750000	CENTC 223240	41762028	CENTC 224255	41766002	CENTC 710105	41791002	CENTC 225225
41751000	CENTC 710404	41762029	CENTC 480570	41766003	CENTC 6358	41791003	CENTC 1994
41756000	CENTC 7687S	41762030	CENTC 7537S	41766004	CENTC 4739	41791004	CENTC 224210
41756001	CENTC 8549S	41762031	CENTC 9049N	41766005	CENTC 4795V	41791005	CENTC 4898
41756002	CENTC 7022S	41762032	CENTC 450082	41766007	CENTC 710166	41791006	CENTC 1955
41756005	CENTC 8429S	41762033	CENTC 710179	41766008	CENTC 4740	41791007	CENTC 225110
41756006	CENTC 41787S	41762034	CENTC 6985	41766009	CENTC 9015S	41791008	CENTC 473823
41758000	CENTC 473214	41762035	CENTC 8293S	41766010	CENTC 710103	41791009	CENTC 710070
41758001	CENTC 473212	41762036	CENTC 710171	41766011	CENTC 710106	41791010	CENTC 710092
41758002	CENTC 455009	41762037	CENTC 710057	41766013	CENTC 5682	41791011	CENTC 1180
41758003	CENTC 470547	41763000	CENTC 4099	41766014	CENTC 8976S	41791012	CENTC 1953
41758005	CENTC 5329	41763001	CENTC 4249	41766015	CENTC 450067	41791013	CENTC 710266
41758008	CENTC 42763	41763002	CENTC 8695S	41766016	CENTC 414045	417016	TIMKE 417016
41758009	CENTC 8676S	41763003	CENTC 8704S	41766018	CENTC 5756	417020	TIMKE 417020
41758010	CENTC 6626S	41763004	CENTC 5121	41766019	CENTC 8243	417022	TIMKE 417022
41758012	CENTC 415458	41763005	CENTC 6840S	41766022	CENTC 473473	41704	GARLK 472164
41758013	CENTC 9344S	41763006	CENTC 5604	41766024	CENTC 8477S	417040	TIMKE 417040
41758014	CENTC 4131	41763007	CENTC 450776	41766025	CENTC 410496	417073	TIMKE 417073
41761000	CENTC 6815	41763008	CENTC 471862	41766026	CENTC 485497	417079	TIMKE 417079
41761001	CENTC 9569S	41763009	CENTC 6241S	41767000	CENTC 417158	417082	TIMKE 417082
41761002	CENTC 3195	41763010	CENTC 470487	41767001	CENTC 455086	4170B	JN-MN 417196
41761003	CENTC 9150S	41763011	CENTC 8121S	41767002	CENTC 415009	417115	TIMKE 417115
41761004	CENTC 473677	41763012	CENTC 473450	41767003	CENTC 493291	4171331000	HYUND 224020
41761005	CENTC 3186	41763013	CENTC 5836	41767005	CENTC 413248	417134	TIMKE 417134
41761006	CENTC 7994S	41763014	CENTC 6960	41767006	CENTC 710498	41714	GARLK 472185
41761008	CENTC 9363S	41763015	CENTC 41257	41767007	CENTC 4857	417158	NATL 455355
41761011	CENTC 9161	41763016	CENTC 484058	41767008	CENTC 475458	417158	NATL 9864S
41761012	CENTC 482253	41763017	CENTC 3677	41767009	CENTC 417485	417158	TIMKE 417158
41761013	CENTC 484054	41763018	CENTC 8133S	41767011	CENTC 6781	417159	TIMKE 417159
41761015	CENTC 450044	41763019	CENTC 5124	41767012	CENTC 411348	417159V	TIMKE 417159V
41761016	CENTC 450444	41763020	CENTC 471316	41767015	CENTC 410825	417171	TIMKE 417171
41761017	CENTC 451182	41763021	CENTC 7886S	41767017	CENTC 456648	417172	TIMKE 417172
41761018	CENTC 44053	41763022	CENTC 416271	41767018	CENTC 470950	417181	TIMKE 417181
41761020	CENTC 3395	41764000	CENTC 8660S	41768000	CENTC 8835S	417191	NATL 417191
41762000	CENTC 8871	41764001	CENTC 51098	41768001	CENTC 4250	417191	NATL 455165
41762001	CENTC 4762N	41764002	CENTC 8430S	41768002	CENTC 710067	417191	TIMKE 417191
41762002	CENTC 8705S	41764003	CENTC 2146	41768003	CENTC 415960	417196	TIMKE 417196
41762003	CENTC 5698	41764005	CENTC 471831	41768004	CENTC 442380	417198	TIMKE 417198
41762004	CENTC 5697	41764010	CENTC 8597S	41768005	CENTC 471271	417205	TIMKE 417205
41762005	CENTC 6064	41765000	CENTC 4148	41768006	CENTC 9912	417210	TIMKE 417210

INTERCHANGE SECTION

COMPETITIVE INTERCHANGES



Mfr No.	Mfr.	National	Mfr No.	Mfr.	National	Mfr No.	Mfr.	National	Mfr No.	Mfr.	National
417211	TIMKE	417211	4174631	SPICE	481213	417535	TIMKE	417535	417986N	TIMKE	417986N
417223	TIMKE	417223	4174632	SPICE	470358	417536	TIMKE	417536	417987N	TIMKE	417987N
417238	TIMKE	417238	4174632	SPICE	473231	417537	CATER	470898	417VB7	MARI	473215
417247	TIMKE	417247	4174633	SPICE	471529	417537	TIMKE	417537	41802	GARLK	472439
417252	TIMKE	417252	417474	TIMKE	417474	417538	TIMKE	417538	418027	TIMKE	418027
417254	TIMKE	417254	417480	NATL	455860	417539	TIMKE	417539	418028	NATL	415137
417255	TIMKE	417255	417480	TIMKE	417480	417540	TIMKE	417540	418028	NATL	417352
417258	TIMKE	417258	417481	TIMKE	417481	417541	TIMKE	417541	418028	NATL	455137
41726	GARLK	472179	417484	TIMKE	417484	417542	TIMKE	417542	418028	TIMKE	418028
417262	NATL	417262	417484N	NATL	417484	417543	TIMKE	417543	418029	NATL	455499
417262	NATL	455448	417484N	NATL	455322	417544	TIMKE	417544	418029	TIMKE	418029
417262	TIMKE	417262	417484N	NATL	455322N	417545	TIMKE	417545	418038	TIMKE	418038
417262V	TIMKE	417262V	417484N	NATL	475322N	417546	TIMKE	417546	41804	HYST	415281N
417267	TIMKE	417267	417484N	TIMKE	417484N	417547	TIMKE	417547	41809	HYST	415302
417269	NATL	417269	417485	TIMKE	417485	417548	TIMKE	417548	41813	C-R	417513
417269	TIMKE	417269	417486	TIMKE	417486	417549	TIMKE	417549	41813	SKF	417513
417273	TIMKE	417273	417487	NATL	415086N	417550	TIMKE	417550	41814	GARLK	472572
417278	TIMKE	417278	417487	NATL	455014	417551	TIMKE	417551	41818	ALLCH	470163
417283	TIMKE	417283	417487	NATL	455086	417554	TIMKE	417554	41818	ALLCH	471766
417295	TIMKE	417295	417487	TIMKE	417487	417555	TIMKE	417555	41826	GARLK	473238
417298	TIMKE	417298	417488	TIMKE	417488	417556	TIMKE	417556	41833	C-R	417514
417316	NATL	415004	417490	TIMKE	417490	417562	TIMKE	417562	41833	SKF	417514
417316	NATL	455004	417491	TIMKE	417491	417563	TIMKE	417563	41833C	HYST	472394
417316	TIMKE	417316	417492	TIMKE	417492	417564	TIMKE	417564	41838	GARLK	473239
41733	HYST	416364	417493	TIMKE	417493	417567	TIMKE	417567	4183LPD	JN-MN	35949N
417343	TIMKE	417343	417494	TIMKE	417494	417570	TIMKE	417570	418403	STUDE	340797
417344	NATL	455006	417495	TIMKE	417495	417571	TIMKE	417571	41840S	TROS	474278
417344	TIMKE	417344	417496	TIMKE	417496	417584	TIMKE	417584	41840S	TROS	6859S
417349	NATL	415281N	417497	TIMKE	417497	417596	TIMKE	417596	418456	TW-CO	415036
417349	TIMKE	417349	417498	TIMKE	417498	417597	TIMKE	417597	41848	GARLK	473240
417350	NATL	455479	417499	TIMKE	417499	417598	TIMKE	417598	4184B	JN-MN	472070
417350	TIMKE	417350	4175	TIMKE	4175	417598V	TIMKE	417598V	4185	NATL	5698
417351	NATL	455154	417500	TIMKE	417500	417600	TIMKE	417600	418575	MICH	417533
417351	TIMKE	417351	417501	TIMKE	417501	417601	TIMKE	417601	418575	UNIVE	417533
417352	TIMKE	417352	417502	TIMKE	417502	417602	NATL	417601	4185B	JN-MN	415988
417353	TIMKE	417353	417503	TIMKE	417503	417602	TIMKE	417602	418600	MICH	417534
417354	TIMKE	417354	417504	TIMKE	417504	417603	TIMKE	417603	418600	UNIVE	417534
417355	NATL	485497	417505	TIMKE	417505	417604	TIMKE	417604	4186220	CHRYS	3476
417355	TIMKE	417355	417506	TIMKE	417506	417605	TIMKE	417605	418625	MICH	457585
417356	NATL	417356	417507	NATL	455513	417606	TIMKE	417606	41862D	IH	417351
417356	NATL	455188	417507	TIMKE	417507	417608	TIMKE	417608	41862D	IH	455154
417356	TIMKE	417356	417509	TIMKE	417509	41761	C-R	455194	41869	GMC	415991
417357	NATL	455192	41751	C-R	415295	41761	SKF	455194	41869	GMC	455146
417357	TIMKE	417357	41751	SKF	415295	417621	NATL	416011	418772	WHITE	450593
417358	TIMKE	417358	417511	TIMKE	417511	417621	TIMKE	417621	4187B	JN-MN	471267
417359	TIMKE	417359	417512	TIMKE	417512	417698	TIMKE	417698	41888	VIC	416888
417360	TIMKE	417360	417513	TIMKE	417513	4177	EATON	416239	4189H	TIMKE	4189H
417361	TIMKE	417361	417514	TIMKE	417514	4177099	FORD	710403	418E71	IH	416153
417362	TIMKE	417362	417515	TIMKE	417515	41777	SPICE	710304	418VB7	MARI	473225
417363	TIMKE	417363	417516	TIMKE	417516	41778	SPICE	710095	419032C91	IH	2287
417364	TIMKE	417364	417518	TIMKE	417518	417780	TIMKE	417780	4191B	JN-MN	472319
417365	TIMKE	417365	417520	TIMKE	417520	4177B	JN-MN	455019	4193LPD	JN-MN	473439
417366	TIMKE	417366	417522	TIMKE	417522	417842	SPICE	155PKG	4194B	JN-MN	450083
41737	HYST	415085	417525	TIMKE	417525	41787S	TIMKE	41787S	4194B	JN-MN	472924
4173789	CHRYS	3459	417526	TIMKE	417526	4178B	JN-MN	415001	4197B	JN-MN	417780
41738	HYST	413478	417530	TIMKE	417530	4178B	JN-MN	455001	41981	HR-DV	473215
417385	TIMKE	417385	417531	TIMKE	417531	417940	TIMKE	417940	41999	VIC	450316
417433	NATL	415563	417532	TIMKE	417532	4179497	CHRYS	5414	41999	VIC	472636
417433	TIMKE	417433	417533	TIMKE	417533	4179498	CHRYS	2146	4199B	JN-MN	473437
4174631	SPICE	470328	417534	TIMKE	417534	417967	TIMKE	417967	419VB7	MARI	416154

INTERCHANGE SECTION

COMPETITIVE INTERCHANGES

Mfr No.	Mfr.	National	Mfr No.	Mfr.	National	Mfr No.	Mfr.	National	Mfr No.	Mfr.	National
41A62	O-M	471442	42099	TROS	5751	42179	TROS	353141	42263	TROS	455566
41N1568	WGEAR	471466	4209B	JN-MN	411245	42179D	IH	455008	42266	TROS	471829
41X10133A	JOHND	470358	4209B	JN-MN	455096	42181	TROS	6090S	42270	TROS	410708
41X10133A	JOHND	473231	421	KRSE	411376	42182D	IH	415034	422743C91	IH	471424
41X10836A	JOHND	2081	4210	C-R	343101	42182D	IH	455034	422744C91	IH	473232
41X50056D	JOHND	471272	4210	SKF	343101	42183D	IH	471750	42277	TROS	6565N
41X51990A	JOHND	200854	421001C	EMSCO	416865	42183DA	IH	471750	42279	TROS	416888
41X53X7TA	TRSCM	1950	421001C	EMSCO	455070	42186	GARLK	472015	42280	AMC	450078
4280582	SAAB	710484	421002C	EMSCO	415074	42187	TROS	410708	42280	AMC	473444
4285825	ASTON	224010	421003C	EMSCO	417298	42197	TROS	6163S	42280	TROS	6575S
42002	EATON	370023A	42101S	TIMKE	42101S	42198	GARLK	472016	42280S	NATL	7840S
42002	EATON	380023A	42103	SPICE	470331N	42198	TROS	452222	42282	TROS	6584S
42006	GARLK	471424	4210530	CHRY5	471271	4219B	JN-MN	455406	42284	TROS	6590S
4201	CLARK	471818	42106	TROS	5778	422	KRSE	415449	42284S	TROS	6590S
420140C91	IH	40382	4210603	CHRY5	341022	42204	TROS	6200	422857	WHITE	475012N
42015	IH	473426	4210603	JEEP	341022	42205D	VIC	5M403	422878	ADAMS	416892
4201B	JN-MN	416071	4210603	MOPAR	341022	4220B	JN-MN	415458	422881	ADAMS	415027
42023	GARLK	472492	4210952	CHRY5	722109	4220B	JN-MN	455003	422881	ADAMS	455027
42031	C-R	456141	4210B	JN-MN	473224	4220LPD	JN-MN	415458	422881	LETN	415027
42031	SKF	456141	421112	STUDE	472015	4220LUP	JN-MN	415458	422881	LETN	455027
42035	GARLK	472924	42116	TROS	450307	4220LUP	JN-MN	455003	422881	WABCO	415027
42039S	TROS	5401	42117	TROS	450365	42210	GARLK	473243	422881	WABCO	455027
42041	TROS	5403	42117	TROS	470898	42212	TROS	471271	42288S	TROS	6597S
42042	GARLK	417351	42120	C-R	710295	42215	MID-R	471466	4228B	JN-MN	474276
42043	VIC	5M81	42120	SKF	710295	42215	SPECI	471344	42290	TROS	6612S
42045	TROS	5408	42121	TROS	5827	42216	MID	350567	422920	ADAMS	470045
42045	VIC	5M81	42125	VIC	5M289	42216	MID	471267	422920	ADAMS	476838
42046	SPICE	473212	42126	TROS	5857	42216	MID-R	471267	42295S	TROS	6635S
42047	VIC	5M81	421268	WHITE	6635S	4221A144	KOEH	415458	42296S	TROS	6638S
42049	VIC	5M293	42130	TROS	5865	4221A144	KOEH	455003	42298S	TROS	471570
42053	TROS	5460	42132	TROS	5872S	4221B	JN-MN	415991	42299	TROS	351267
42056	GARLK	472397	42132S	TROS	5872S	4221B	JN-MN	455146	42299	TROS	471267
42057	TROS	370002A	42134	TROS	455280	42220	TROS	6270	422997	ADAMS	473215
42057S	UNIVE	415371	421372	STUDE	340385	42221S	TROS	6283S	42301S	TROS	9613S
42058S	TROS	370009A	42140D	IH	415142	42225	TROS	6312	42302	TROS	6649
42058S	TROS	380009A	42143	TROS	473228	42226	TROS	6324S	42303	GARLK	471272
42060	TROS	370019A	42143	TROS	51098	42229	TROS	6336S	42303S	TROS	473234
420600	MICH	416158	42146	TROS	200354	422309	WOOL	455576	42304	TROS	6663S
420600	UNIVE	416158	421462	CATER	6760S	42231S	TROS	5872S	42306	TROS	471413
42061S	TROS	370005A	42146S	TROS	204002	42233S	TROS	6357S	42308	TROS	470605
420625	MICH	415064	42148	TROS	455151	42237S	TROS	6370N	4231012	EARTH	471267
420625	UNIVE	415064	4214B	JN-MN	417546	42238S	TROS	471526	42311S	TIMKE	42311S
42063	DANA	4131	42150	GMC	415991	4224	SKIL	471647	42311S	TROS	6703S
42068S	TROS	5481	42150	GMC	415991N	42243	TROS	471442	42313	TROS	205004
4206B	JN-MN	450352	42150	US-EL	415302	42244	TROS	483054N	42315S	TROS	412473
4206B	JN-MN	472164	42154	TROS	370036A	42248	TROS	330663	42315S	TROS	415894
42070S	TROS	5589	42154	TROS	370349A	42248	TROS	472354	42316	TROS	370022A
42071	GARLK	473242	42154	TROS	380036A	42249	TROS	417267	42316	TROS	380022A
42073	TROS	370003A	42155	TROS	203034	42256	TROS	370002A	42317	GARLK	471138
42073	TROS	380003A	42159	GARLK	473204	42257S	UNIVE	415284	42317	TROS	6759S
42075	TROS	5578	4215B	JN-MN	416921	42257S	TROS	6460S	42317S	TROS	6759S
42076	US-EL	416664	4215B	JN-MN	455011	42258	MID	350394	42322S	TROS	471466
42076	US-EL	455364	42165C	VIC	5M403	42258	MID	473227	42323S	TROS	471264
42079	TROS	7600S	42166	TROS	415899N	42258	MID-R	473227	42324S	TROS	481443
42081S	TIMKE	42081S	42166	TROS	416624N	4225B	JN-MN	416292	42325S	TROS	6808N
42089	TROS	7886S	42171	GARLK	470898	422600	MICH	417535	42328S	TROS	6832S
42093	TROS	410312N	421732C91	IH	442874	422600	UNIVE	417535	42329	GARLK	472636
420953	CATER	470380	42176	TROS	413478	42260S	TIMKE	42260S	42329S	TROS	6835S
420984C91	IH	100495	42177D	IH	450066	422625	MICH	417536	4232B	JN-MN	472070
420984C91	IH	476023N	42177D	IH	473367	422625	UNIVE	417536	42330	TROS	6840S

INTERCHANGE SECTION

COMPETITIVE INTERCHANGES



Mfr No.	Mfr. National	Mfr No.	Mfr. National	Mfr No.	Mfr. National	Mfr No.	Mfr. National
42332R	DIA 450365	42426	SKF 455195	425067	ADAMS 416107	4253248	ALLCH 473463
42332R	DIA 470898	42426	SKF 472157	425067	ADAMS 455073	4253264	ALLCH 40438S
42332S	TROS 6847S	42427	C-R 416556	425068	ADAMS 450070	4253265	ALLCH 450066
42336S	TROS 410496	42427	C-R 472157	425068	ADAMS 472185	4253265	ALLCH 473367
42337S	TROS 417210	42427	SKF 416556	425068	LETN 450070	4253297	ALLCH 40438S
42338S	TROS 6863S	42427	SKF 472157	425068	LETN 472185	42532M1	C-R 455015
42340S	TROS 370005A	42427	SPICE 4525V	425069	ADAMS 417357	42532M1	SKF 455015
42341	GARLK 412920	42427	VIC 4525V	425069	ADAMS 455192	4253341	ALLCH 471571
42341S	TROS 6872S	42427S	TROS 370048A	425076	O-M 340469	42533414	ALLCH 471571
42343S	TROS 473234	42427S	TROS 370182A	4250832	ALLCH 415035	4253382	ALLCH 417316
4234493	WGEAR 417210	42427S	TROS 380048A	4250832	ALLCH 455035	4253388	ALLCH 416892
42344R	TROS 6879H	42430010	TROS 417488	4250833	ALLCH 450067	42534	GR-DV 416288
42347S	TROS 6906S	42430810	TROS 417171	4250833	ALLCH 473228	4253541	ALLCH 450070
42352S	TROS 6949S	42432408	TROS 412473	4250B	JN-MN 473227	4253541	ALLCH 472185
42353R	TROS 6988H	42432408	TROS 415894	4251	C-R 472810	42536	FAIRB 456105
42354	TROS 370006A	42432410	TROS 412473	4251	SKF 472810	42536	GARLK 471271
42355S	TROS 7014S	42432410	TROS 415894	4251203	ALLCH 410308	4253670	ALLCH 40370S
42357S	TROS 473234	42433212	TROS 415899N	4251203	ALLCH 450308	42536706	ALLCH 40370S
42358S	TROS 410059	42433212	TROS 416624N	4251705	ALLCH 450121	4253690	ALLCH 473243
42358S	TROS 470380	42434	GARLK 413246	4251705	ALLCH 472409	4253691	ALLCH 450316
4235B	JN-MN 471567	42434	GARLK 413246N	4251784	ALLCH 472012	4253691	ALLCH 472636
42368S	TROS 7381S	4244	TIMKE 4244	4251862	ALLCH 450441	4253764	ALLCH 415001
42369	VIC 5MR71	42440	VIC 5MR71	4251862	ALLCH 471341	4253764	ALLCH 455001
42369S	TROS 370005A	42446	DANA 370018A	42518621	ALLCH 450441	4253765	ALLCH 470358
42372	GMC 417343	42446	GARLK 413247	42518621	ALLCH 471341	4253765	ALLCH 473231
42372S	TROS 7781S	42446	SPICE 370018A	42518S	NATL 312518	4253769	ALLCH 455583N
42373S	TROS 8370S	424469C91	IH 452742	4251D	GOODM 417278	4253781	ALLCH 417171
42375S	TROS 8059S	42449	DANA 719316	4251F	GOODM 417278	42538	GR-DV 455018
42376	MID 470590	42449	SPICE 719316	42520	MID 471689	42538	GR-DV 476470
42376	MID-R 470590	424525	UNIVE 415150	42520	MID-R 471689	4253838	ALLCH 415001
423843	ADAMS 450083	424575	MICH 415138	42521	MID 470219	4253838	ALLCH 455001
423843	ADAMS 472924	424575	UNIVE 415138	42521	MID 471649	4253930	ALLCH 472234
423843	LETN 450083	424588	MICH 417538	42521	MID-R 470219	4253982	ALLCH 472287
423843	LETN 472924	424600	MICH 417247	42521	MID-R 471649	42539825	ALLCH 472287
423843	LK-BT 450083	424600	UNIVE 455123	4252117	ALLCH 415379	4253999	ALLCH 455336
423843	LK-BT 472924	42461	GARLK 416271	4252117	ALLCH 455379	4254026	ALLCH 473473
423843	WABCO 472924	424625	MICH 415066	4252153	ALLCH 417316	4254050	ALLCH 471570
42385	MWKEL 442109	424625	UNIVE 415066	4252153	ALLCH 455004	42540690	ALLCH 415027
42385	TROS 5313	42469	BUDD 5924	4252154	ALLCH 411376	42540690	ALLCH 455027
4238570	CHRY5 4099	42470	C-R 47150S	4252154	ALLCH 455093	4254079	ALLCH 471787
4238789	CHRY5 4249	42470	SKF 47150S	4252177	ALLCH 415379	4254101	ALLCH 450194
4238B	JN-MN 415088	424740	ADAMS 415449	4252177	ALLCH 455379	4254101	ALLCH 473010
4238B	JN-MN 455088	424740	ADAMS 455147	42523	IH 471827	42541011	ALLCH 450194
42396	TROS 5965	42475	C-R 415196	42523TB	TRSCM 472157	42541011	ALLCH 473010
4239B	JN-MN 473447	42475	SKF 415196	4252491	ALLCH 473475	4254104	ALLCH 450194
42400	VIC 5MR71	424872	ADAMS 415025	42524SB	TRSCM 485195H	4254104	ALLCH 473010
4240044	CHRY5 5414	4249	TIMKE 4249	4252612	ALLCH 471192	4254122	ALLCH 470606
4240150	CHRY5 5650	42490	IH 471733	4252649	ALLCH 472287	4254152	ALLCH 450867
4240436010	TOYOT 710384	42490D	IH 471733	42528	C-R 416891	4254152	ALLCH 470898
42405	NEWPR 710645	424C32410	TROS 412473	42528	SKF 416891	4254177	ALLCH 40140S
42411S	TROS 6668S	424C32410	TROS 415894	4252815	ALLCH 450183	42541771	ALLCH 40140S
42416	TROS 370004A	4250	TIMKE 4250	4252815	ALLCH 472179	4254227	ALLCH 40301S
42419	C-R 472157	42500	SPICE 710202	4252825	ALLCH 450316	4254228	ALLCH 415458
42419	SKF 472157	4250222	ALLCH 473016	4252825	ALLCH 472636	4254228	ALLCH 455003
42421S	TIMKE 42421S	4250224	ALLCH 473016	4252849	ALLCH 472258	4254269	ALLCH 350954
42422	C-R 485195H	4250225	ALLCH 472070	4252F	GOODM 415645	4254269	ALLCH 470954
42422	GARLK 470565	425025	ADAMS 471787	4252F	GOODM 455104	4254277	ALLCH 40140S
42422	SKF 485195H	425025	LETN 471787	4253052	ALLCH 416271	4254341	ALLCH 40973S
42426	C-R 455195	4250604	ALLCH 470077	42530527	ALLCH 416271	4254544	ALLCH 416339
42426	C-R 472157	4250604	ALLCH 474281	4253124	ALLCH 450457	4254670	ALLCH 471787

INTERCHANGE SECTION

COMPETITIVE INTERCHANGES

Mfr No.	Mfr.	National	Mfr No.	Mfr.	National	Mfr No.	Mfr.	National	Mfr No.	Mfr.	National
42548	GARLK	470605	42622	C-R	370065A	42630	C-R	376590A	42673	SKF	370025A
4254838	ALLCH	472636	42622	C-R	370107A	42630	C-R	380065A	42673	SKF	370030A
4254874	ALLCH	473228	42622	C-R	376590A	42630	C-R	386590A	42673	SKF	370031A
4254875	ALLCH	471649	42622	C-R	380065A	42630	SKF	370065A	42673	SKF	380025A
4254912	ALLCH	450085	42622	C-R	386590A	42630	SKF	376590A	42673	SKF	380031A
4254912	ALLCH	470530	42622	SKF	370065A	42630	SKF	380065A	4267B	JN-MN	327303
4254932	ALLCH	40389S	42622	SKF	370107A	42630	SKF	386590A	4268	DURA	450039
4254936	ALLCH	471268N	42622	SKF	376590A	42631	C-R	370031A	42683	GARLK	416664
4254954	ALLCH	450639	42622	SKF	380065A	42631	C-R	370065A	426877	STUDE	470351
42549543	ALLCH	450639	42622	SKF	386590A	42631	C-R	376590A	426877	STUDE	471504
4254963	ALLCH	471554	42623	C-R	370065A	42631	C-R	380031A	426878	STUDE	473474
4254976	ALLCH	40433S	42623	C-R	370107A	42631	C-R	380065A	4268B	JN-MN	415281N
4254986	ALLCH	40433S	42623	C-R	376590A	42631	C-R	386590A	4269035	CHRY5	331228H
42549865	ALLCH	40433S	42623	C-R	380065A	42631	SKF	370031A	4269057	CHRY5	331228H
42550	C-R	370106A	42623	C-R	386590A	42631	SKF	370065A	4269183	CHRY5	3173
42550	C-R	380065A	42623	SKF	370065A	42631	SKF	376590A	4269183	CHRY5	710928
42550	SKF	370106A	42623	SKF	370107A	42631	SKF	380031A	426947	BORGW	415483
42550	SKF	380065A	42623	SKF	376590A	42631	SKF	380065A	426947	BORGW	455368
4255130	ALLCH	471829	42623	SKF	380065A	42631	SKF	386590A	42698	GARLK	415984
42551309	ALLCH	471829	42623	SKF	386590A	42632	GARLK	415483	4269956	CHRY5	710058
42553123	ALLCH	472439	42624	C-R	370065A	42635	C-R	417518	4269956AB	CHRY5	710058
4255587	ALLCH	471424	42624	C-R	370107A	42635	SKF	417518	4269956AB	MOPAR	710058
42557	C-R	416135	42624	C-R	380065A	4263B	JN-MN	471763	426PKG	TIMKE	426PKG
42557	GARLK	415449	42624	SKF	370065A	42640	TROS	6186	426R	TIMKE	426PKG
42557	SKF	416135	42624	SKF	370107A	42644	C-R	415058	4270B	JN-MN	417343
4255839	ALLCH	471787	42624	SKF	380065A	42644	GARLK	415458	42710	GARLK	417316
42558395	ALLCH	471787	42625	C-R	370030A	42644	SKF	415058	427112	WHITE	417344
4255851	ALLCH	40389S	42625	C-R	370065A	4264B	JN-MN	471760	427112	WHITE	455006
425587	ALLCH	471424	42625	C-R	380065A	426512	ADAMS	417356	42719	GARLK	415960
4255B	JN-MN	417602	42625	C-R	386590A	426512	ADAMS	455188	427290	ADAMS	450067
4256	C-R	240470	42625	SKF	370030A	426512	LETN	417356	427290	ADAMS	473228
4256	SKF	240470	42625	SKF	370065A	426512	LETN	455188	427290	LETN	450067
4256022	ALLCH	410085N	42625	SKF	380065A	426513	ADAMS	471570	427290	LETN	473228
425643	ADAMS	450593	42625	SKF	386590A	426513	LETN	471570	4273275	CHRY5	3638
425643	LETN	450593	42626	C-R	370030A	426514	ADAMS	472394	427394	WHITE	472164
425643	WABCO	450593	42626	C-R	370065A	426514	WABCO	472394	427424R92	IH	370001A
42569	GARLK	416273	42626	C-R	380065A	426515	ADAMS	416271	427424R92	NAVST	370001A
42573	C-R	415045	42626	SKF	370030A	426515	LETN	416271	427424R92	NAVST	380001A
42573	SKF	415045	42626	SKF	370065A	42656	GARLK	417343	42746D	IH	410119
425748	WHITE	417316	42626	SKF	380065A	426575	UNIVE	455251H	42746D	IH	471442
425824	ADAMS	470064	42627	C-R	370065A	4265B	JN-MN	417351	4274B	JN-MN	472012
425824	ADAMS	471821	42627	C-R	370349A	4265B	JN-MN	455154	427552R91	IH	370001A
425824	LETN	470064	42627	C-R	376590A	426600	MICH	416163	427552R91	NAVST	380001A
425824	LETN	471821	42627	C-R	380048A	426600	UNIVE	416163	4275B	JN-MN	455026
42591	CHRY5	471354	42627	C-R	380065A	426625	MICH	456890	42763	TIMKE	42763
425931	MC-CL	472287	42627	C-R	386025A	426625	UNIVE	456890	42770	GARLK	415303
4259OS	JN-MN	450389	42627	C-R	386590A	4266B	JN-MN	415711	4277B	JN-MN	416077
4259OS	JN-MN	472492	42627	SKF	370048A	42671	C-R	370031A	4278	TIMKE	4278
425PKG	TIMKE	425PKG	42627	SKF	370065A	42671	C-R	380031A	42780	HYST	472636
425R	TIMKE	425PKG	42627	SKF	370349A	42671	SKF	370031A	42782	GARLK	417344
4260	C-R	472810	42627	SKF	376590A	42671	SKF	380031A	42791	GARLK	417158
4260	SKF	472810	42627	SKF	380048A	42672	C-R	370031A	4279M	BRAD	470027
4261	C-R	472810	42627	SKF	380065A	42672	C-R	380031A	4279M	BRAD	471554
4261	SKF	472810	42627	SKF	386025A	42672	SKF	370031A	427PKG	TIMKE	427PKG
42612	C-R	710698	42627	SKF	386590A	42672	SKF	380031A	427R	TIMKE	427PKG
42612	SKF	710698	426273	BORGW	470120	42673	C-R	370025A	42800	C-R	370030A
42615	AMC	50327	426273	BORGW	471224	42673	C-R	370030A	42800	C-R	370037A
42616	C-R	416137	4262B	JN-MN	470120	42673	C-R	370031A	42800	C-R	370338A
42616	SKF	416137	4262B	JN-MN	471224	42673	C-R	380025A	42800	SKF	370030A
42617	GARLK	413248	42630	C-R	370065A	42673	C-R	380031A	42800	SKF	370037A

INTERCHANGE SECTION

COMPETITIVE INTERCHANGES



Mfr No.	Mfr.	National	Mfr No.	Mfr.	National	Mfr No.	Mfr.	National	Mfr No.	Mfr.	National
42800	SKF	370338A	4298	DICO	203015	43015	TROS	471224	43060S	TROS	415013N
428119C91	IH	370023A	429932	ADAMS	416888	430152	DANA	5872S	43060S	TROS	415995V
428119C91	NAVST	380023A	429932	ADAMS	455200	4301537	ALLCH	471763	430625	MICH	417273
42812	GARLK	416921	429932	LETN	416888	43015379	ALLCH	471763	430625	UNIVE	417273
4281B	JN-MN	472299	429932	LETN	455200	43016S	TROS	39302	43063	TROS	476470
428454C91	NAVST	370003A	429972	ADAMS	473228	43018	GARLK	417350	43064	TROS	415023
428454C91	NAVST	380003A	429972	LETN	473228	43018	TROS	412920	43065	TROS	416891
428455C91	IH	370003A	429972	WABCO	473228	43019	TROS	471192	43066	TROS	415041
428455C91	NAVST	380003A	429PKG	TIMKE	429PKG	4302	NATL	710067	43067S	NATL	240319
42847	KELSE	416297	429R	TIMKE	429PKG	43020S	TROS	470625	43067S	TROS	416271
428472	ADAMS	415938	42E29X60777	FWD	450094	43021	TROS	470954	43068	TROS	415147
428472	LETN	415938	42E29X60777	FWD	473462	43022	TROS	472287	43068	TROS	415449
428472	WABCO	415938	42E3Y393	FWD	450291	4302452	ALLCH	450040	43069	TROS	417351
428489	ADAMS	417196	42E3Y393	FWD	471141	43024S	TROS	471763	43070S	TROS	415379
428489	LETN	417196	42E3Y569	FWD	450121	43025	TROS	471765	43071	TROS	417205
428600	MICH	416167	42E3Y569	FWD	472409	43026S	TROS	410163	43071S	TIMKE	43071S
428600	MICH	455091	42E7Y1039	FWD	473215	43026S	TROS	471766	43072	C-R	455197N
428600	UNIVE	416167	42E7Y1040	FWD	450593	43027	TROS	471801	43072	SKF	455197N
428600	UNIVE	455091	42N1568	WGEAR	240009	43028S	TROS	473016	43073	C-R	455197
428613	MICH	417267	42X51514A	JOHND	340787	430298	ALLCH	470380	43073	SKF	455197
428625	MICH	417269	42X51927A	JOHND	481181	43030	TROS	472179	43073	TROS	416556
428625	UNIVE	417269	42X51927A	JOHND	481181N	430304	ALLCH	472572	43073	TROS	472157
42867	SPICE	710389	42X53103A	JOHND	240733	430305	ALLCH	416125	4307359	ALLCH	417354
42867	VIC	710389	42X56916A	JOHND	471267	430306	ALLCH	471847N	43074	TROS	416888
4286B	JN-MN	416666	42X56X8SB	TRSCM	3393	430307	ALLCH	472258	43075	HYST	473442
42875	HYST	455308	42X60X8SB	TRSCM	1953	43032	TROS	471649	43075	TROS	417247
4287B	JN-MN	472826	43	GARLK	320457	43033	GARLK	415836	43076S	TIMKE	43076S
428806	ADAMS	415991	43000	BLUE	442109	43033	GARLK	415995	43077	TROS	416706
428806	ADAMS	455146	43000	TROS	471526	43034	TROS	470712	43078	TROS	415991
428806	LETN	415991	43000239	AMC	470547	43034S	TIMKE	43034S	43079S	TROS	415379
428806	LETN	455146	4300119	TREME	475322N	43035	TROS	473466	4307V	TIMKE	4307V
428806	WABCO	415991	4300121	FULLE	710211	43036	TROS	473235	43080	TROS	417492
428806	WABCO	455146	43001S	TROS	473215	43039	TROS	472636	43080S	TIMKE	43080S
42884	HYST	473448	43002	TROS	410059	43040	TROS	412040	43083	TROS	415656
4288B	JN-MN	450067	43002	TROS	470380	4304084	ALLCH	471570	43084	TROS	471264
4288B	JN-MN	473228	4300204	FULLE	482041N	4304110	OPEL	712005	43085	SPICE	714675
4289B	JN-MN	412473	430032	CATER	417349	430413R91	IH	470351	43085	TROS	473215
4289B	JN-MN	415894	43003S	TROS	410059	43042	GARLK	417351	430852	DANA	714675
428PKG	TIMKE	428PKG	43003S	TROS	470380	43043S	TROS	410496	430852	SPICE	714675
428R	TIMKE	428PKG	43006	TROS	473228	43044	TROS	471689	4308522	FORD	714675
4290002	STEM	415991N	43007	TROS	472185	43045S	TROS	410119	43086	TROS	470380
4290003	STEM	9773	43008S	TROS	472439	43045S	TROS	471442	43086S	TIMKE	43086S
4290004	STEM	475003N	43009	GARLK	417349	43046S	TROS	8160S	43089S	TIMKE	43089S
4290005	STEM	100495	43009	TROS	472924	43047S	TROS	410708	43089S	TROS	470334
4290006	STEM	475012N	4300B	JN-MN	415035	43048	TROS	471829	4309000Z00	NISSA	710766
4290007	STEM	100494	4300B	JN-MN	455035	43051S	TROS	471344	4309090012	NISSA	710406
4290008	STEM	475322N	4300D5	WHITE	410737	43054S	TROS	415304	4309090014	NISSA	710052
4290009	STEM	415272N	4300D5	WHITE	450737	43054S	TROS	476470	4309090017	NISSA	710052
4290010	STEM	100263	43011	TROS	410085	43055	TROS	415003	4309090060	NISSA	710052
4290011	STEM	100557	43011	TROS	470530	43055	TROS	415458	4309090061	NISSA	710766
4290012	STEM	127591	4301106	ALLCH	418028	43055	VIC	5M89	43090Z5000	NISSA	710556
4292979	STEM	417484N	4301106	ALLCH	455137	4305534	ALLCH	470027	43090Z5001	NISSA	710458
4292979	STEM	475322N	430118	VOLVO	355660H	4305534	ALLCH	471554	43090Z5002	NISSA	710458
4290B	JN-MN	456105	4301180	VOLVO	355660H	43056	TROS	417316	43092	TROS	410085
4291V	TIMKE	4291V	43012	TROS	473464	43057	TROS	417344	43092	TROS	470530
42933205	TROS	9339S	43013	TROS	412119	4305798	ALLCH	415023	43093	TROS	471192
42940D	IH	471733	430132	VOLVO	710190	43058	TROS	415960	43094	TROS	470954
4295904	CHRYSL	3459	43014	TROS	8650S	430600	ALLCH	487945	43095	TROS	473460
4297B	JN-MN	417316	4301461	ALLCH	471137	430600	MICH	417539	43095S	NATL	340847
4297B	JN-MN	455004	43015	DANA	5872S	430600	UNIVE	417539	43095S	TIMKE	43095S

INTERCHANGE SECTION

COMPETITIVE INTERCHANGES

Mfr No.	Mfr.	National	Mfr No.	Mfr.	National	Mfr No.	Mfr.	National	Mfr No.	Mfr.	National
43096	TROS	471760	4311939030	HYUND	710747	43149	TROS	472492	43179	TROS	417181
43097	TROS	471763	4311939900	HYUND	710118	4314B	JN-MN	417487	43180	TROS	412473
43098	TROS	471765	431193A011	HYUND	2007N	4314B	JN-MN	455086	43180	TROS	415894
4309B	JN-MN	470358	431194C91	IH	473243	43150	TROS	473227	43184	TROS	415272N
4309B	JN-MN	473231	43121	TROS	417191	43151	TROS	410519	43185	TROS	417484N
430D5	WHITE	473215	43123	TROS	475009N	43151	TROS	471271	43185	TROS	475322N
430PKG	TIMKE	430PKG	4312363	STEM	7412S	43153	TROS	415001	4318662	STEM	3946
430R	TIMKE	430PKG	43124	TROS	471554	431537	ALLCH	471763	43186S	TROS	417159
4319743	STEM	4148	4312407	STEM	204507	43154	SPICE	710241	4318891	STEM	9316
4310	NATL	5699	4312407	STEM	7781S	43154	TROS	415003	43189	TROS	475380N
43100	TROS	472397	4312458	STEM	471766	43154	TROS	415458	4319	WOODB	415458
4310030	ALLCH	450593	43125	TROS	473215	431543	WHITE	455336	43190	TROS	415437
43101	TROS	410316	4312621000	HYUND	710222	43155	TROS	417316	4319221	STEM	6815
43101	TROS	472636	43127	TROS	471419	43156	TROS	417344	4319244	STEM	3173
43103	TROS	472258	43127	TROS	473367	4315644000	HYUND	223608	4319273	STEM	2043
43104	GARLK	416011	43128	TLSMI	415645	431564B000	HYUND	223608	43194	TROS	416394
43104	GARLK	417621	43128	TLSMI	455104	4315694	ALLCH	415234	4319753	STEM	4739
4310467	ALLCH	471750	43128	TROS	473228	43157	TROS	475009N	43198	TROS	41264S
4310487	ALLCH	471750	43129	TROS	473232	43158	TROS	416921	4319970	STEM	470530
4310523	ALLCH	471192	43130	TROS	472185	43159S	TROS	475012N	431PKG	TIMKE	431PKG
43105279	ALLCH	471643	43131	C-R	417520	4315B	JN-MN	415025	431R	TIMKE	431PKG
43107	TROS	417316	43131	SKF	417520	43160	TROS	415836	4324003	STEM	4160
4310986	ALLCH	471466	4313165	STEM	5131	43160	TROS	415995	4324964	STEM	4561V
4311035	WOOL	455022	43132	TROS	410085	4316044	STEM	8835S	4328426	STEM	2081
431106	ALLCH	418028	43132	TROS	470530	4316054	STEM	481181	43201	C-R	417238
431106	ALLCH	455137	43133	NEWPR	710655	4316085	STEM	473231	43201	SKF	417238
43110S	TROS	416288	43133	TROS	411253	4316146	STEM	4762N	43203	TROS	40027S
4311125	ALLCH	470077	4313311000	HYUND	710222	431616R91	IH	370021A	43205	TROS	473213
4311125	ALLCH	474281	43134	TROS	410101N	431616R92	IH	370021A	43206	TROS	43089S
43113	TROS	415072	4313434000	HYUND	712007	431619R91	IH	370036A	43207	TROS	40059S
4311323	ALLCH	416047	4313439011	HYUND	712007	431619R91	NAVST	370349A	43208	TROS	7886S
4311323	ALLCH	416332	43135	TROS	471192	431619R91	NAVST	380036A	43211	TROS	472185
43113232	ALLCH	416047	4313557	STEM	714655	43161S	TROS	415016N	4321100	STEM	470898
43113232	ALLCH	416332	43137	TROS	410163	4316247	STEM	473010N	43212	TROS	40071S
43114	TROS	416229	43137	TROS	471766	43162S	TROS	415304	43215	TROS	40101S
43115S	TROS	415147	43138	TROS	410183N	43162S	TROS	476470	4321769	STEM	4740
43115S	TROS	415449	43139	TROS	473179	4316315R1	IH	325776	4321771	STEM	8974S
43116	GARLK	416288	4313992	STEM	8660S	4316316R1	IH	325776	43218	TROS	240119
43116	TROS	416011	4313B	JN-MN	415036	43164	TROS	415035	4321955	STEM	2286
43116	TROS	417621	43140	TROS	472394	4316599	STEM	4099	43220	TROS	40140S
43117	TROS	417181	43141	TROS	472397	43167	TROS	416865	4322304101	NISSA	224235
43119	TROS	415991	43142S	TROS	472015	43168	TROS	416239	43224	TROS	40157S
43119	TROS	415991N	43143	GARLK	417171	43169S	TROS	416271	4322425	STEM	3095
4311921000	HYUND	710396	43143	TROS	470308N	4316B	JN-MN	450765	4322532	STEM	412920
4311921010	HYUND	710396	4314311000	HYUND	712007	43170	TROS	476283N	4322550	STEM	442109
4311924000	HYUND	710708	4314311010	HYUND	222025	43171	TROS	417602	43226	TROS	40652S
4311924010	HYUND	710700	4314314000	HYUND	223014	4317144	STEM	442251	4322619	STEM	415234
4311928000	HYUND	223543	4314333000	HYUND	223014	4317146	STEM	442251	4322619	STEM	473212
4311928001	HYUND	223543	4314344000	HYUND	223014	43173	TROS	415137	43228	TROS	40169S
4311928002	HYUND	223543	431434A001	HYUND	223014	43173	TROS	418028	43230	TROS	471571
4311928003	HYUND	223543	431434A001	KIA	223014	4317379	STEM	472164V	432308075	TROS	370014A
4311934010	HYUND	223520	4314351000	HYUND	223800	4317387	STEM	472164	43231	C-R	417520
4311937000	HYUND	710396	43145	TROS	410316	43174S	TROS	415146	43231	SKF	417520
4311937000	KIA	710396	43145	TROS	472636	43174S	TROS	415991	432316075	TROS	418028
4311937010	HYUND	710396	43146	SPICE	417158	43175	TROS	415147	432316075	TROS	455137
4311937010	KIA	710396	43146	TROS	472164	43175	TROS	415449	43231610	TROS	418028
4311937100	HYUND	223543	4314614000	HYUND	221610	43176	TROS	417343	43231610	TROS	455137
4311939010	HYUND	710747	431461	ALLCH	471137	43177	TROS	5578	4323201G00	NISSA	1960
4311939011	HYUND	710747	43148	TROS	470898	43178	TROS	417171	4323201G00	NISSA	710305
4311939020	HYUND	710747	4314832	STEM	1126	4317810	STEM	452742	4323201G01	NISSA	1960

INTERCHANGE SECTION

COMPETITIVE INTERCHANGES



Mfr No.	Mfr. National	Mfr No.	Mfr. National	Mfr No.	Mfr. National	Mfr No.	Mfr. National
4323201G10	NISSA 710305	432521PA0A	NISSA 710938	4329288	STEM 4563V	43317	TROS 415036
432320T000	NISSA 710434	4325240P00	NISSA 710130	43293	TROS 45525S	43317R	DIA 474278
432320T010	NISSA 710434	4325282100	NISSA 228025	4329322	STEM 475012N	43317R	DIA 480356
4323242G00	NISSA 710176	4325289TA2	NISSA 710080	4329384	STEM 417486	43318	TROS 417343
4323242G10	NISSA 710176	4325289TA4	NISSA 710080	43294	TROS 45031S	4331846	ALLCH 470059
4323250A00	NISSA 710308	4325289TA7	NISSA 710080	4329471	STEM 712937	4331846	ALLCH 470380
4323250A10	NISSA 710308	4325289TA9	NISSA 710081	43295	TROS 45825S	4331870	STEM 6358
4323278100	NISSA 223542	43252C6000	NISSA 224255	43296	TROS 45827S	4331983	ALLCH 417484N
4323285000	NISSA 1974	43252C6001	NISSA 224255	43297S	TROS 470565	4331983	ALLCH 455322
43232B5000	NISSA 1974	43252HC000	NISSA 710320	4329867	STEM 476023N	433202A	LIMA 472394
43232WK600	NISSA 710763	43252T6200	NISSA 710070	4329870	STEM 3698	433204A	LIMA 470403
432320075	TROS 415085	43252VW000	NISSA 223542	4329872	STEM 417349	433204A	LIMA 470774
432320075	TROS 456648	43252ZR00A	NISSA 710851	43298S	TROS 417563	43320S	TROS 415192N
43232010	TROS 415085	43253	TROS 40389S	4329925	STEM 415013N	43322S	TROS 415281N
43232010	TROS 456648	43254	TROS 40395	4329961	STEM 710457	4332385	STEM 100494
4323211G00	NISSA 226530	43254	TROS 40395S	432A312075	TROS 455336	4332385	STEM 416470N
4323221000	NISSA 224045	432540T000	NISSA 710185	432A316075	TROS 418028	4332395	STEM 476470
43232410	TROS 417191	43255	TROS 417267	432A316075	TROS 455137	4332397	STEM 415304
43232E4100	NISSA 224270	43257S	TROS 40401	432A316095	TROS 415137	4332437	STEM 200870
43232P4500	NISSA 223542	43259	TROS 351487	432A316095	TROS 418028	43324S	TROS 415899N
43233207	TROS 415991	43260S	TROS 40433S	432A320075	TROS 415085	43324S	TROS 416624N
43233207	TROS 415991N	43261S	TROS 471647	432A320075	TROS 456648	4332502	STEM 415137
432332075	TROS 415991	43262	TROS 40468	432A324075	TROS 417191	433294	STUDE 240356
432332075	TROS 415991N	4326220	STEM 475003N	432A324075	TROS 455165	43331	TROS 472924
43233207C	TROS 415991	4326239	STEM 475003N	432A332075	TROS 415991	4333699	STEM 3292
43233207C	TROS 415991N	43263	TROS 442380	432A332075	TROS 455146	4333699	STEM 415164N
43233209	TROS 415991	4326373	STEM 9773	432B316065	TROS 370018A	4333N	TIMKE 4333N
43233209	TROS 415991N	43264	TROS 40520S	432PKG	TIMKE 432PKG	43340	TROS 340469
43233210	TROS 415991	43267S	TROS 40555	432R	TIMKE 432PKG	433407A	LIMA 472299
43233210	TROS 455146	43267S	TROS 40555S	433	CARVR 470163	43341	TROS 45653S
43233213	TROS 415991	43269	TROS 40566S	433	CARVR 471766	43343S	TROS 417316
43233213	TROS 415991N	43269S	TROS 40555	4330007	STEM 100495	4334868	STEM 416624
43234	TROS 40208	43269S	TROS 40555S	433001	LIMA 451583	4334889	STEM 415991
43234408	TROS 416919N	43270	TROS 40568S	433003	LIMA 480821	4334891	STEM 415991
43235	TROS 471647	4327292	STEM 475322N	4330033	STEM 455086	4335083	STEM 415027N
43236	GARLK 417181	4327295	STEM 475322N	4330055	STEM 415086N	4335255	ALLCH 415938
43237	TROS 40230S	4327370	STEM 417316	4330087	STEM 415088	43356	GMC 6703S
43239	OLIVE 418028	4327452	STEM 4564V	4330098	STEM 455088V	43359D	IH 416738
43239	OLIVE 455137	43275	GARLK 417353	4330145	STEM 100263	43359D	IH 450096
43239	TROS 40286	4327501	STEM 475009N	4330148	STEM 710008	433602A	LIMA 450867
43241	TROS 40301S	43276	TROS 40769S	4330153	STEM 100263	433602A	LIMA 470898
43242	TROS 40316S	4327642	STEM 3591	4330186	ALLCH 450067	433603A	LIMA 411376
43243	TROS 240319	43278	TROS 340787	4330186	ALLCH 473228	433603A	LIMA 455093
43245	TROS 40337S	43279D	IH 450065	43303	C-R 325776	43364	GARLK 412473
432452	ALLCH 450040	43280	TROS 41013S	43303	SKF 325776	43364	GARLK 415894
4324898	STEM 471271	432802C91	IH 331227H	43304	TROS 471750	433708	WHITE 416125
43249	TROS 40370S	43281D	IH 450260	43306	C-R 325776	4337330	STEM 415983N
4324910	STEM 471271	43282	TROS 41075S	43306	SKF 325776	43381	GMC 450183
4324917	STEM 4250	43283	TROS 46997S	43308D	IH 472287	43381	GMC 472179
4324949	STEM 473274N	4328325	STEM 474230	43309	TROS 471391	43382	C-R 710552
43250	TROS 40973S	43283D	IH 450115	4330B	JN-MN 470219	43382	SKF 710552
4325043	STEM 415001	43283D	IH 473467	4330B	JN-MN 471649	4338339	CHRY5 2506
43251	TROS 40382	43284	TROS 43086S	43311	C-R 325776	4338553	CHRY5 710502
43251	VIC 5MR1008	43285	TROS 45013S	43311	SKF 325776	4338655	AMC 8516N
4325140	STEM 4525V	4328720	STEM 9864S	43311	TROS 471267	4338655	JEEP 8516N
4325146	STEM 3136N	4328745	STEM 417158	4331142	ALLCH 470045	43387	SPICE 710388
4325201G00	NISSA 223542	4328B	JN-MN 455330	4331142	ALLCH 476838	43387	VIC 710388
432520F000	NISSA 223542	43290S	TIMKE 43290S	4331203	STEM 8976S	4338893	CHRY5 710046
432520W000	NISSA 710479	43291	TROS 45187S	4331390	STEM 5313	4338893	JEEP 710046
4325211G00	NISSA 223400	4329273	STEM 4563V	43313S	TROS 471984	4338968	CHRY5 3946

INTERCHANGE SECTION

COMPETITIVE INTERCHANGES

Mfr No.	Mfr.	National	Mfr No.	Mfr.	National	Mfr No.	Mfr.	National	Mfr No.	Mfr.	National
4338B	JN-MN	416738	4351142	ALLCH	470045	4365282	ALLCH	470219	43754	SKF	370338A
4338B	JN-MN	450096	4351142	ALLCH	476838	4365282	ALLCH	471649	43754	SKF	380048A
43394	GARLK	417354	4351188	ALLCH	450441	43660D	IH	472287	4375625	ALLCH	455583N
4339934	STEM	415035	4351188	ALLCH	471341	43667	GARLK	417205	4376	AT SU	40652S
4339B	JN-MN	450275	4351731	ALLCH	471820	4367238	ALLCH	470596	43761	C-R	370048A
433PKG	TIMKE	433PKG	4352445	STEM	417262	4367592	ALLCH	450301	43761	C-R	370173A
433R	TIMKE	433PKG	4353	TIMKE	4353	4367592	ALLCH	472397	43761	C-R	370182A
434	CARVR	470163	43535POSA	TRSCM	7354N	43675925	ALLCH	450301	43761	C-R	380036A
434	CARVR	471766	4353790	STEM	3292	43675925	ALLCH	472397	43761	C-R	380048A
43401	TROS	8460N	4353982	ALLCH	472287	43682	GARLK	416339	43761	SKF	370048A
4340655	ALLCH	471570	43543A	HYST	323138	4368323	ALLCH	471472	43761	SKF	370173A
434084	ALLCH	471570	4355	C-R	6863S	4368324	ALLCH	413246	43761	SKF	370182A
4340B	JN-MN	450301	4355	SKF	6863S	4368324	ALLCH	413246N	43761	SKF	380036A
4340B	JN-MN	472397	435534	ALLCH	470027	4368578	ALLCH	470347	43761	SKF	380048A
4341209	ALLCH	416011	435534	ALLCH	471554	4368578	ALLCH	474254	43762	C-R	370048A
4341209	ALLCH	417621	43554SA	TRSCM	416380	4368B	JN-MN	415082	43762	C-R	370182A
4341550	STEM	9128S	4355645	ALLCH	472394	4369005	ALLCH	472951	43762	C-R	380048A
4341925	ALLCH	240385	4355646	ALLCH	450519	4369005	ALLCH	474252	43762	SKF	370048A
434241	WHITE	471689	4355646	ALLCH	471271	43691	C-R	416380	43762	SKF	370182A
4343060810	SUZUK	4904	4355648	ALLCH	471271	43691	SKF	416380	43762	SKF	380048A
4343060810000	SUZUK	4904	4356591	ALLCH	240119	4369324	ALLCH	413246	43763	C-R	370048A
4343150G00	SUZUK	710394	43568	GARLK	416047	4369324	ALLCH	413246N	43763	C-R	370182A
4343150G00000	SUZUK	710394	43568	GARLK	416332	436D5	WHITE	470059	43763	C-R	380048A
4343150G10	SUZUK	710394	4356B	JN-MN	416271	436D5	WHITE	470380	43763	GARLK	417366
4343150G10000	SUZUK	710394	435798	ALLCH	415023	436PKG	TIMKE	436PKG	43763	SKF	370048A
4343160B20	SUZUK	4904	43580	GARLK	415937	436R	TIMKE	436PKG	43763	SKF	370182A
4343160G00	SUZUK	710459	435805	WHITE	450065	4370359	ALLCH	417354	43763	SKF	380048A
4343160G00000	SUZUK	710459	4359252D00	SUZUK	225010	4370419	ALLCH	471763	43764	C-R	370048A
4343903	CHRYS	4462N	4359252D00000	SUZUK	225010	4370N	TIMKE	4370N	43764	C-R	370182A
43442D	IH	40071S	4359265D00	SUZUK	710522	43714	C-R	416147	43764	C-R	380048A
4344631	SPICE	415437	4359265D00000	SUZUK	710522	43714	SKF	416147	43764	SKF	370048A
4344631	SPICE	455173	4359267D00	SUZUK	710522	4371692	ALLCH	470169	43764	SKF	370182A
4344663	ALLCH	473448	4359282Z10	SUZUK	710479	4371692	ALLCH	473214	43764	SKF	380048A
43451	GMC	470712	4359V	TIMKE	4359V	43716927	ALLCH	473214	43767	C-R	5723
4345207	ALLCH	417344	435PKG	TIMKE	435PKG	43721	GARLK	417211	43767	SKF	5723
4345207	ALLCH	455006	435R	TIMKE	435PKG	43722D	IH	415001	4376B	JN-MN	471652
43460	GARLK	416624	4360028	STEM	415072	43722D	IH	455001	43771	C-R	416149
4346231	ALLCH	415938	43601	GARLK	417355	4373014	ALLCH	455583N	43771	SKF	416149
43463D	IH	200640	4360255	ALLCH	450043	43733	GARLK	416345	4378510	ALLCH	455583N
4346686	ALLCH	450639	4360255	ALLCH	473419	437359	ALLCH	417354	4379747	ALLCH	471649
43470	C-R	711003	4360256	ALLCH	470062	43745	GARLK	415697	4379960	ALLCH	415001
43470	SKF	711003	4360256	ALLCH	474264	4374B	JN-MN	451143	4379960	ALLCH	455001
43473	ALLCH	473205	4360B	JN-MN	415088	43751	C-R	415047	4379B	JN-MN	472354
4347933	ALLCH	415001	4360B	JN-MN	455088	43751	SKF	415047	4379B	JN-MN	50395S
4347933	ALLCH	455001	4360LPD	JN-MN	415088	43752	C-R	370037A	437PKG	TIMKE	437PKG
4348B	JN-MN	417533	4360LUP	JN-MN	415088	43752	C-R	370338A	437R	TIMKE	437PKG
4349170D01	SUZUK	224200	43613	GARLK	416125	43752	SKF	370037A	43800D	IH	470120
4349170D01000	SUZUK	224200	4361B	JN-MN	450076	43752	SKF	370338A	43800D	IH	471224
4349736	ALLCH	472234	4361B	JN-MN	470334	43753	C-R	370037A	43800DA	IH	470120
43499	GARLK	417196	4362642	ALLCH	455583N	43753	C-R	370338A	43800DA	IH	471224
4349B	JN-MN	415995	4363081925	TROS	5751	43753	SKF	370037A	438031	WHITE	471103
4349B	JN-MN	455013	43644	RENAU	224045	43753	SKF	370338A	438031	WHITE	50197S
434PKG	TIMKE	434PKG	4364411	ALLCH	450431	43754	C-R	370037A	4380B	JN-MN	415303
434R	TIMKE	434PKG	4364411	ALLCH	471539	43754	C-R	370048A	43820	C-R	415060
4352327	ROVER	231004	436449R91	IH	370023A	43754	C-R	370182A	43820	SKF	415060
43500	VIC	5MR1009	436449R91	NAVST	370023A	43754	C-R	370338A	43820	WHITE	415025
43502S	TROS	6712NA	436449R91	NAVST	380023A	43754	C-R	380048A	43838	GEHL	470088
4350319	ALLCH	472394	43646	GARLK	416041	43754	SKF	370037A	43839	GEHL	471192
43504	SPICE	4525V	43650	C-R	415425	43754	SKF	370048A	4384188	CHRYS	719316
43509D	IH	471192	43650	SKF	415425	43754	SKF	370182A	4384188	JEEP	719316

INTERCHANGE SECTION

COMPETITIVE INTERCHANGES



Mfr No.	Mfr. National	Mfr No.	Mfr. National	Mfr No.	Mfr. National	Mfr No.	Mfr. National
4384188	MOPAR 719316	44021	TROS 471558	44057	VIC 471192	44090	TROS 473313
438454R92	IH 370001A	44022	TROS 471255	44058	TROS 470059	44091S	TROS 470088
438454R92	NAVST 370001A	44023	TROS 450025	44058	TROS 470380	44092	TROS 450089
438454R92	NAVST 380001A	44023	TROS 471553	44059	TROS 470059	44092	VIC 224040
43860	C-R 370019A	44025	TROS 470027	44059	TROS 470380	44093	TROS 450090
43860	SKF 370019A	44025	TROS 471554	44059S	TROS 470059	44094	VIC 8160S
43861	C-R 370019A	44026S	TIMKE 440265	44059S	TROS 470380	44095	TROS 473458
43861	SKF 370019A	44026S	TROS 470027	44061	TROS 470950	44097	TROS 450094
43865	C-R 370019A	44026S	TROS 471554	44061	TROS 6241S	44097	TROS 473462
43865	C-R 370034A	44027	TROS 471567	44062	TROS 470062	440972	TIMKE 440972
43865	SKF 370019A	44027	VIC 471737	44062	TROS 474264	44098	TROS 450095
43865	SKF 370034A	44028S	TROS 471567	44063	TROS 471820	44098	TROS 473464
4386879	ALLCH 471649	44029	TROS 450030	44064	TROS 470064	44099	TROS 416738
43875	C-R 370034A	44029	TROS 474253	44064	TROS 471821	44099	TROS 450096
43875	C-R 370124A	4403	FULLE 450183	44065	TROS 450065	4409B	JN-MN 471765
43875	SKF 370034A	4403	FULLE 472179	44066	TROS 450066	440PKG	TIMKE 440PKG
43875	SKF 370124A	44030	TROS 473414	44066	TROS 473367	440R	TIMKE 440PKG
438PKG	TIMKE 438PKG	44030	VIC 472258	44067S	TROS 450066	440RC	SUL 415035
438R	TIMKE 438PKG	44030809	TROS 416297	44067S	TROS 473367	440RC	SUL 455035
4390	C-R 474277	4403080975	TROS 370046A	44068S	TROS 450067	44100	TROS 413469
4390	SKF 474277	44031	TROS 471570	44068S	TROS 473228	44101	TROS 412943
4391019	ALLCH 471472	44031207	TROS 6358	44069	TROS 450068	44102	TROS 411253
43950	KELSE 203025	44031608	TROS 417353	4406B	JN-MN 415196	44102	TROS 450099
4395B	JN-MN 415150	44032	SPERY 204013	44070	TROS 450069	44102	VIC 472492
43964D	IH 475003N	440324C1	IH 411143N	44070	TROS 473232	44103	TROS 410694
4397500	TAYLR 410308	440324C2	IH 411143N	44071	VIC 472164	44104	TROS 412119
4397500	TAYLR 473468	44033	TROS 474273	44071S	TROS 450069	44104	TROS 450101
4397623	CHRY5 5650	44033009	TROS 2055	44071S	TROS 473232	44105	TROS 410102
4397712	CHRY5 5414	44033210	TROS 417196	44072	TROS 450070	44106	TROS 410987
4397B	JN-MN 417196	44034	VIC 472299	44072	TROS 472185	44106	TROS 450103
43995	VIC 5M466	44034010	TROS 416047	44073	TROS 472439	44107	TROS 450104
4399B	JN-MN 450069	44034010	TROS 416332	44073	VIC 470898	44108	TROS 414045
4399B	JN-MN 473232	44035	GARLK 417356	44074	TROS 481864	4410B	JN-MN 471571
4399T2	WHITE 415988	44035	TROS 473415	44075	GARLK 416130	44110	TROS 473471
439PKG	TIMKE 439PKG	44036	TROS 471137	44075	TROS 450073	4411035	WOOL 417604
439R	TIMKE 439PKG	44038	TROS 450039	44076	TROS 470074	44112	TROS 473441
43G	OSHKO 455008	44039	TROS 450040	44076	TROS 474265	441130	TIMKE 441130
440830	ELRNG 227409	44040S	TROS 450040	44076	VIC 224045	441130S	WMG 441130
44000	C-R 710885	44041	TROS 450593	44078	TROS 450076	44114	TROS 450111
44000	SKF 710885	44043	TROS 470045	44078	TROS 470334	44116	TROS 450115
440001	WAYNE 471554	44043	TROS 476838	44078	VIC 224045	44116	TROS 473467
44001	TROS 474277	44044	VIC 472492	44079	TROS 470077	44117	TROS 473450
44001	VIC 471195	44045	TROS 473426	44079	TROS 474281	44118	TROS 450117
44001	VIC 481195	44045S	TROS 473215	44080	TROS 450078	44118	TROS 472572
440012	WAYNE 471730	44046	TROS 450048	44080	TROS 473444	44119	TROS 450118
44002	TROS 470004	44047	TROS 471750	44082	TROS 473446	44119	TROS 473449
44004	TROS 471530	44048	TROS 470050	44083	TROS 50081	4411B	JN-MN 471231
44005	TROS 471281	44049	TROS 473427	44084	TROS 450082	44120	TROS 471442
44006	TROS 471532	44050	TROS 471354	44084	TROS 473238	44121S	TROS 471442
44007	VIC 470712	44051	TROS 473213	44085	TROS 450083	44122	TROS 470120
44008	TROS 471466	44052	TIMKE 44052	44085	TROS 472924	44122	TROS 471224
44008	VIC 330385	44052	TROS 450054	44085	VIC 1012N	44123	TROS 450121
44009S	TROS 471466	44053	TIMKE 44053	44086	TROS 450084	44123	TROS 472409
44011	VIC 330385	44053	TROS 473215	44087	VIC 473238	44124	TROS 473437
44013	TROS 471472	44054	TROS 471354	44087S	TROS 450084	44124	VIC 226020
440131	TIMKE 440131	44054	VIC 472164	44088	TROS 450085	4412475	CHRY5 331228H
44014	TROS 471535	44054S	TROS 473215	44088	TROS 470530	4412475	MOPAR 331228H
44018	TROS 471549	44055	GARLK 417357	440883R91	IH 471267	4412522	CHRY5 3459
44018	VIC 224045	44056	TROS 473225	44089	TROS 470086	4412522AB	CHRY5 3459
44020	TROS 471551	44057	TROS 473438	4408B	JN-MN 451583	4412522AC	CHRY5 3459

INTERCHANGE SECTION

COMPETITIVE INTERCHANGES

Mfr No.	Mfr.	National	Mfr No.	Mfr.	National	Mfr No.	Mfr.	National	Mfr No.	Mfr.	National
4412522AC	MOPAR	3459	44163S	TROS	471766	442096	WHITE	450025	44259	TROS	450273
441260C91	IH	370150A	44164	TROS	473424	442096	WHITE	471553	44263	TROS	450279
441260C91	IH	417158	44165	TROS	471801	44210	TROS	480210	44266	TROS	473179
441260C91	IH	455355	44166	TROS	473212	442109	TIMKE	442109	44267	TROS	450285
44127	TROS	471735	44168	TROS	470169	44212	TROS	481644	442671C1	IH	415027
4412836	CHRYSLER	8609	44168	TROS	473214	44213	TROS	471645	442671C1	IH	455027
44128S	TROS	472826	4416B	JN-MN	470606	44214	TROS	473414	44268	TROS	474274
44129	TROS	412920	44170	TROS	473016	44215	TROS	471646	44269	C-R	7354N
44129	TROS	450132	44171	TROS	473016	44216	TROS	471648	44269	C-R	7354V
441298R91	IH	471267	44171S	TROS	473016	44217	TROS	470219	44269	SKF	7354N
4412990	CHRYSLER	3946	44173	TROS	450177	44217	TROS	471649	44269	SKF	7354V
44130	TROS	450133	44174	VIC	223005	442177	GMC	6270	44271	TROS	470334
44131	TROS	471192	44174S	TROS	415146	44218	TROS	481650	44271	TROS	50289
441319	TIMKE	441319	44174S	TROS	415991	44219	TROS	471651	44272	TROS	450291
44132S	TROS	471192	44175	TROS	473421	44220	TROS	471684	44272	TROS	471141
44133	TROS	470548	44176	TROS	471747	44220	TROS	471698	44273	TROS	473453
44133	TROS	470625	44176	TROS	472674	44222	TROS	471686	44275	C-R	457295
44134S	TROS	470548	44177	TROS	450183	44224	TROS	470590	44275	SKF	457295
44134S	TROS	470625	44177	TROS	472179	442251	TIMKE	442251	44275	TROS	472144
44135	TROS	471529	44178S	TROS	450183	44226	TROS	472951	44276	TROS	450298
44136	TROS	471869	44178S	TROS	472179	44226	TROS	474252	44276	TROS	473239
44136	TROS	473459	44179	TROS	471571	44227	TROS	471688	44277	TROS	472394
44137S	TROS	471869	441790	WHITE	472015	442270	NATL	442109	44278S	TROS	472394
44137S	TROS	473459	44180	TROS	450185	44228	TROS	471689	44279	TROS	450301
44138	TROS	472234	44180	TROS	473229	44229S	TROS	471689	44279	TROS	472397
44142	TROS	473226	44181	TROS	473236	44230	TROS	471705	44280	TROS	472012
44143	TROS	473460	44182	TROS	453165	44231	TROS	471705	44281	TROS	472015
44145	TROS	450147	44182	TROS	471619	44231	VIC	471224	44282S	TROS	472015
44146	TROS	473463	44183	TROS	450188	44232	TROS	471733	44283	TROS	473457
44147	TROS	40769S	44184	TROS	470189	44234	TROS	470712	44285	TROS	473461
44148	TROS	471750	44184	TROS	471692	44235S	TROS	470712	44286	TROS	450307
44148	VIC	5872S	44185	TROS	410190	44236	TROS	471744	442862	WHITE	450472
44149	TROS	472560N	441853	TIMKE	441853	442369	WHITE	340385	44287	TROS	410308
44149	TROS	50151S	44187	TROS	473473	44237	TROS	450342	44287	TROS	450308
44150	TROS	473205	44189	TROS	450194	44237	VIC	1209	442874	TIMKE	442874
44151	TROS	472287	44189	TROS	473010	44238	TROS	471785	44288	TROS	471391
441515C1	IH	472635	4418LA	JN-MN	470950	442380	TIMKE	442380	44289	TROS	473242
44152	TROS	450154	4418LA	JN-MN	6241S	44239	TROS	471787	4428B	JN-MN	471820
44152	TROS	473234	44190S	TROS	450194	4423B	JN-MN	470163	4429	CLIN	350567
44152	VIC	450117	44190S	TROS	473010	4423B	JN-MN	471766	4429	CLIN	471267
44152	VIC	472572	44192	TROS	471103	44240	TROS	471795	44290	TROS	450311
44153	TROS	473447	44192	TROS	50197S	4424059	CHRYSLER	223801	44291	TROS	410312N
44154	TROS	350156	44193S	TROS	471103	44241	TROS	473211	44293	TROS	473245
44154	TROS	473096	44193S	TROS	50197S	44242	TROS	473211	4429353	CHRYSLER	39803
44155	TROS	471760	44195	TROS	6863S	44243	TROS	473436	44294	TROS	450316
44156S	TROS	471760	44196S	TROS	6863S	44247	TROS	450260	44294	TROS	472636
44157	TROS	471762	44197	TROS	320457	44248	TROS	470682	4429410	CHRYSLER	39805
44158	TROS	450159	441989	WHITE	330385	44249S	TROS	470682	44295	C-R	417525
44158	VIC	471787	44199	TROS	472705	44250	TROS	451469	44295	SKF	417525
44159	TROS	471763	441PKG	TIMKE	441PKG	442507	TIMKE	442507	44295	TROS	411394
441595	WHITE	412473	441R	TIMKE	441PKG	44251	WAUKE	471801	44295	TROS	450317
441595	WHITE	415894	441SZ70	MACK	5M466	44252	TROS	473235	44297	GARLK	416891
4415B	JN-MN	415379	44200S	TROS	472705	44253	TROS	50266	44297	TROS	481163
4415B	JN-MN	455379	44201	TROS	481443	44254	TROS	473451	44298	TROS	473475
44160	TROS	450161	44202S	TROS	481443	44255	GARLK	416556	44299	TROS	412040
44160	TROS	471764	44203	TROS	471231	44255	GARLK	472157	442PKG	TIMKE	442PKG
44161	TROS	471765	44204	TROS	471579	44255	TROS	450269	442R	TIMKE	442PKG
44162	TROS	470163	44205	VIC	471192	44255	VIC	450269	44300	TROS	472029
44162	TROS	471766	44207	TROS	451583	44256	TROS	471866	44301	TROS	413478
44163S	TROS	470163	44208S	TROS	451583	44258	TROS	471868	443018	TIMKE	443018

INTERCHANGE SECTION

COMPETITIVE INTERCHANGES



Mfr No.	Mfr.	National	Mfr No.	Mfr.	National	Mfr No.	Mfr.	National	Mfr No.	Mfr.	National
44302	ALLCH	470045	44344	TROS	450400	444020	KEN	455027	44456	HYST	351487
44302	ALLCH	476838	44345	TROS	352541	44403	TROS	450494	44457	HYST	417254
44303	SPICE	370018A	44346	TROS	470403	44403	TROS	472164	44457	TROS	470596
44303	TROS	450326	44346	TROS	470774	44404	TROS	410496	44458	HYST	473242
44304	TROS	50327	44347S	TROS	470403	444042	TIMKE	444042	44459	HYST	417205
44305	TROS	470328	44347S	TROS	470774	44407	TROS	474260	44459	TROS	450604
44305	TROS	481213	44349	TROS	50405	44409	TROS	472843	4445B	JN-MN	415995
44306	TROS	412871	443508	WHITE	473203	44410S	TROS	472843	4445B	JN-MN	455013
44306	TROS	450329	44351	TROS	470409	444116	TIMKE	444116	44460	HYST	416666
44307	TROS	470605	44352	TROS	471424	44412	TROS	470506	44460S	TROS	450604
44308	TROS	450332	44353	TROS	450412	44415	TROS	450516	44461	HYST	417254
44309	TROS	470334	44354	TROS	353132	44417	TROS	450519	44461	TROS	470390
44310	TROS	474255	44355	TROS	450415	44417	TROS	471271	4446143	FORD	240733
44311	TROS	450339	44356	TROS	473442	44418	TROS	410520	44463	HYST	50081
443126C1	IH	2218	44358	TROS	450765	44418	TROS	471272	4446411	CHRY	710046
44313	TROS	450341	44360	TROS	471730	44419S	TROS	410520	44465	TROS	450621
44314	TROS	450343	44362	TROS	450430	44419S	TROS	471272	44466	TROS	470625
44316	TROS	470347	44363	TROS	450431	44420	TROS	473423	44467S	TROS	413248
44316	TROS	474254	44363	TROS	471539	44421S	TROS	473423	44468	HYST	415146
44317	TROS	413247	44364	TROS	471138	44422	TROS	472258	44468	HYST	415991
44317	TROS	450350	44366	TROS	350435	44423S	TROS	472258	44468	TROS	473420
443174	WHITE	416892	44367	TROS	450441	44424	TROS	450523	44469	HYST	416229
44317C	DIA	470548	44367	TROS	471341	44425	TROS	410524	4446A	HERCU	472394
44317C	DIA	470625	44368S	TROS	450441	44426	TROS	471887	44470	HYST	416404
44318	TROS	470351	44368S	TROS	471341	44427S	TROS	474276	44471	HYST	471419
44318	TROS	471504	44369	TROS	450444	44428	TROS	50528	44471	HYST	473367
44319S	TROS	470351	44369	TROS	471835	44429	TROS	450984	44471	TROS	471276
44319S	TROS	471504	44370S	TROS	450444	44430	TROS	470530	44472	HYST	416282
44320	C-R	417526	44370S	TROS	471835	44432	TROS	450533	44472	TROS	472475
44320	SKF	417526	44371	TROS	50445	44432408	TROS	455249	44473	TROS	450639
44320	TROS	450352	44372	TROS	450446	44433	TROS	450535	44475	HYST	471413
44320	TROS	472164	44374	TROS	471270	44433	TROS	471264	44475	TROS	470645
44321S	TROS	450352	44375	TROS	480630	44434	TROS	450536	44476	TROS	481073
44321S	TROS	472164	44376	TROS	472658	44434	TROS	471535	44477	HYST	473232
44322	TROS	470354	44376	TROS	473197	44436	TROS	414268	44478	HYST	455079
44323	TROS	471538	44377	TROS	473224	44436	TROS	450539	44479	HYST	416664
44324	TROS	474278	44378	TROS	450456	44438	TROS	471689	4447A	HERCU	450069
44324	TROS	480356	44379	TROS	450457	44439	TROS	470543	4447A	HERCU	473232
44325	TROS	470358	44380	TROS	473440	44439	TROS	474272	44480	HYST	450066
44325	TROS	473231	443814	WHITE	471192	44440	TROS	450545	44480	HYST	473367
44326S	TROS	470358	44382	TROS	450463	444409C1	IH	43290S	44480S	TROS	472020
44326S	TROS	473231	44383	TROS	450467	44441	TROS	470548	44481	HYST	450085
44327	TROS	473448	44384	TROS	50468	44441	TROS	470625	44481	HYST	470530
44328	TROS	471870	44385	TROS	481537	44442	TROS	472150	44481	TROS	471737
44328	TROS	471883	44386	TROS	472810	44443	TROS	470565	44482	HYST	472179
44329	TROS	450361	44387S	TROS	472810	44444	TROS	471224	44482	TROS	410737
44329	TROS	472193	44388	TROS	450472	444456	HYST	351487	44483	HYST	240736
44330	TROS	450362	44389	TROS	450474	44445S	TROS	471224	44484	HYST	416154
44331	TROS	350364	44390	TROS	471344	44446	TROS	471808	44485S	TROS	472018
44335	TROS	411500	44393	TROS	473445	44448	TROS	471267	44486	HYST	411253
44336	GMC	470120	44394	TROS	323138	44449S	TROS	471267	44486	TROS	471984
44336	GMC	471224	44395	TROS	471818	44450	HYST	415294	44487	HYST	415146
44336	TROS	471652	44396	GMC	471442	44450	HYST	455294	44487	HYST	415991
44337	TROS	474276	44396	TROS	450482	44450	TROS	412027	44487	TROS	473240
44338	TROS	330385	44398	TROS	411330N	44451	TROS	413246N	44489	HYST	415867
44339	TROS	450389	443PKG	TIMKE	443PKG	44452	HYST	473460	44489	TROS	410737
44339	TROS	472492	443R	TIMKE	443PKG	44453	HYST	417562	44489	TROS	450737
44340	TROS	473407	44481	ELRNG	710580	44454	HYST	417474	44490	HYST	415023
44341	TROS	473227	44401	TROS	480491	44454	TROS	450588	44490	TROS	471862
44342S	TROS	473227	444020	KEN	415027	44455	GARLK	416888	44491	HYST	410519

INTERCHANGE SECTION

COMPETITIVE INTERCHANGES

Mfr No.	Mfr.	National	Mfr No.	Mfr.	National	Mfr No.	Mfr.	National	Mfr No.	Mfr.	National
44491	<i>HYST</i>	471271	44522	<i>TROS</i>	473474	44555	<i>TROS</i>	450067	446133	<i>STUDE</i>	473473
44491	<i>TROS</i>	470764	44523	<i>HYST</i>	472150	44555	<i>TROS</i>	473228	44622	<i>DRMAN</i>	010PKG
44492	<i>HYST</i>	450083	44523S	<i>TROS</i>	480630	44556	<i>AMC</i>	471869	44624	<i>DRMAN</i>	110PKG
44492	<i>HYST</i>	472924	44523S	<i>TROS</i>	480991	44556	<i>AMC</i>	473459	44625	<i>GARLK</i>	415138
44493	<i>TROS</i>	471633	44524	<i>TROS</i>	472432	44556	<i>HYST</i>	7105S	44626	<i>GRAY</i>	450076
44494	<i>TROS</i>	471195	44524	<i>TROS</i>	474256	44556S	<i>TROS</i>	473466	44626	<i>GRAY</i>	470334
44494	<i>TROS</i>	481195	44525	<i>HYST</i>	415072	44557	<i>HYST</i>	415009	4462N	<i>TIMKE</i>	4462N
44495	<i>HYST</i>	472144	44526	<i>HYST</i>	416865	44557	<i>HYST</i>	415960	4463B	<i>JN-MN</i>	415025
44496	<i>HYST</i>	450867	44526	<i>TROS</i>	472185	44557S	<i>TROS</i>	410308	4463LPD	<i>JN-MN</i>	415025
44496	<i>HYST</i>	470898	44527	<i>HYST</i>	417601	44557S	<i>TROS</i>	450308	4463LUP	<i>JN-MN</i>	415025
44496	<i>TROS</i>	480889	44528	<i>HYST</i>	415482	44558	<i>HYST</i>	200752	44645	<i>GARLK</i>	417247
44497	<i>HYST</i>	470163	44529	<i>HYST</i>	472397	44558	<i>TROS</i>	450365	446479C1	<i>IH</i>	2218
44497	<i>HYST</i>	471766	4452SH	<i>JN-MN</i>	455194	44558	<i>TROS</i>	470898	4464B	<i>JN-MN</i>	417485
44497	<i>TROS</i>	450803	44530	<i>HYST</i>	415302	44559	<i>HYST</i>	410737	446508C1	<i>IH</i>	3894V
44498	<i>GARLK</i>	416892	44530S	<i>TROS</i>	481443	44559	<i>HYST</i>	450737	4465B	<i>JN-MN</i>	450183
44498	<i>HYST</i>	450519	44531	<i>HYST</i>	240733	44559	<i>TROS</i>	472354	4465B	<i>JN-MN</i>	472179
44498	<i>HYST</i>	471271	445319C1	<i>IH</i>	710447	44559	<i>TROS</i>	50395S	4465LUP	<i>JN-MN</i>	472179
44498S	<i>TROS</i>	470806	44532	<i>HYST</i>	240731	44560	<i>HYST</i>	417298	446927	<i>TIMKE</i>	446927
44499	<i>HYST</i>	473435	44533	<i>HERCU</i>	240119	44560	<i>TROS</i>	471267	446GC1115	<i>MACK</i>	55563
444PKG	<i>TIMKE</i>	444PKG	44533	<i>HYST</i>	240119	44561	<i>HYST</i>	417501	446GC132	<i>MACK</i>	471267
444R	<i>TIMKE</i>	444PKG	44533	<i>TROS</i>	481792	44561S	<i>TROS</i>	471270	446GC181	<i>MACK</i>	100494
44500	<i>HYST</i>	40520S	44534	<i>HYST</i>	473413	44562	<i>HYST</i>	470543	446GC181	<i>MACK</i>	416470N
44501	<i>HYST</i>	417181	44534S	<i>TROS</i>	471571	44562	<i>HYST</i>	474272	446GC218	<i>MACK</i>	39807
44501	<i>TROS</i>	473380	44535	<i>HYST</i>	416271	44562S	<i>TROS</i>	480630	446GC235	<i>MACK</i>	5645
44502	<i>TROS</i>	450819	44535S	<i>TROS</i>	451078	44563	<i>HYST</i>	415960	446GC238	<i>MACK</i>	2297V
44503	<i>HYST</i>	472164	44536	<i>HYST</i>	416775	44563	<i>HYST</i>	455009	446GC264	<i>MACK</i>	55563
44504	<i>HYST</i>	455509	44537	<i>HYST</i>	471413	44563S	<i>TROS</i>	323138	446GC310	<i>MACK</i>	39807
44504S	<i>TROS</i>	450867	44537	<i>MINNM</i>	415449	44564S	<i>TROS</i>	470565	446GC310P11	<i>MACK</i>	39807
44504S	<i>TROS</i>	470898	44537	<i>MINNM</i>	455147	44565	<i>HYST</i>	416077	446GC317	<i>MACK</i>	39920
44505	<i>DANA</i>	710413	44537	<i>OLIVE</i>	415449	44566	<i>HYST</i>	470625	446GCX169	<i>MACK</i>	470120
44505	<i>HYST</i>	6270	44537	<i>OLIVE</i>	455147	44566	<i>TROS</i>	470120	446GCX169	<i>MACK</i>	471224
44505	<i>SPICE</i>	710413	44538	<i>HYST</i>	6270	44566	<i>TROS</i>	471224	446PKG	<i>TIMKE</i>	446PKG
44505	<i>TROS</i>	473203	44538S	<i>TROS</i>	472213	44567	<i>HYST</i>	450352	446R	<i>TIMKE</i>	446PKG
44506	<i>DANA</i>	710414	44539	<i>HYST</i>	5401	44567	<i>HYST</i>	472164	4474743	<i>STEM</i>	614743
44506	<i>SPICE</i>	710414	44540	<i>HYST</i>	411330N	44567S	<i>TROS</i>	450911N	44701	<i>WAUKE</i>	471267
44506	<i>TROS</i>	450869	44540	<i>TROS</i>	481568	44568	<i>HYST</i>	470565	447060	<i>TIMKE</i>	447060
44507	<i>HYST</i>	40555	44542	<i>HYST</i>	200851	44568S	<i>TROS</i>	471652	4470B	<i>JN-MN</i>	415058
44507	<i>HYST</i>	40555S	44542	<i>TROS</i>	482253	44568S	<i>TROS</i>	482208	44711	<i>VIC</i>	474260
44508	<i>HYST</i>	365008	44544S	<i>TROS</i>	473243	44569	<i>HYST</i>	416107	44716	<i>AMC</i>	450115
44509	<i>HYST</i>	45827S	445450	<i>IH</i>	473463	44569	<i>HYST</i>	455073	44716	<i>AMC</i>	473467
44510	<i>HYST</i>	450400	44546	<i>HYST</i>	411330N	44569S	<i>TROS</i>	472560N	4472B	<i>JN-MN</i>	417298
44511	<i>TROS</i>	413479	44546	<i>TROS</i>	451948	44569S	<i>TROS</i>	50151S	4473B	<i>JN-MN</i>	417606
44512	<i>HYST</i>	415147	44547	<i>HYST</i>	417507	4456B	<i>JN-MN</i>	470328	4474B	<i>JN-MN</i>	416154
44512	<i>HYST</i>	415449	44547	<i>HYST</i>	455513	4456B	<i>JN-MN</i>	481213	447551C91	<i>IH</i>	370036A
44513	<i>HYST</i>	415013	44547	<i>TROS</i>	450489	4456D5	<i>WHITE</i>	470565	447551C91	<i>IH</i>	370349A
44513	<i>HYST</i>	415995	44547	<i>TROS</i>	473244	44570	<i>HYST</i>	416666	447551C91	<i>NAVST</i>	380036A
44513	<i>TROS</i>	473237	44548	<i>HYST</i>	415027	44570S	<i>TROS</i>	450291	447559C91	<i>IH</i>	370007A
44514	<i>HYST</i>	473475	44548	<i>HYST</i>	455027	44570S	<i>TROS</i>	471141	447560C91	<i>IH</i>	370008A
4451446100	<i>MITSU</i>	1955	44548	<i>TROS</i>	474253	44571S	<i>TROS</i>	471354	447561C91	<i>IH</i>	370001A
44515	<i>HYST</i>	451948	44549S	<i>TROS</i>	471570	44575TA	<i>TRSCM</i>	417525	447561C91	<i>NAVST</i>	380001A
44515S	<i>TROS</i>	471736	4454E	<i>GOODM</i>	416107	4457B	<i>JN-MN</i>	471750	447565C91	<i>IH</i>	370033A
44517	<i>HYST</i>	240735	4454E	<i>GOODM</i>	455073	44587	<i>TROS</i>	323138	447566C91	<i>IH</i>	370023A
44517S	<i>TROS</i>	471646	44551S	<i>TROS</i>	481073	44589	<i>AMC</i>	471141	447566C91	<i>NAVST</i>	380023A
44518	<i>HYST</i>	470764	44552	<i>HYST</i>	411253	4458B	<i>JN-MN</i>	470712	4475B	<i>JN-MN</i>	418028
44519S	<i>TROS</i>	471564	44552S	<i>TROS</i>	451143	4458V	<i>TIMKE</i>	4458V	4475B	<i>JN-MN</i>	455137
4451B	<i>JN-MN</i>	415281N	44553	<i>HYST</i>	415725	4459B	<i>JN-MN</i>	470358	4476B	<i>JN-MN</i>	456105
44520	<i>HYST</i>	470565	44553S	<i>TROS</i>	473405	4459B	<i>JN-MN</i>	473231	44774	<i>AMC</i>	450085
44521	<i>HYST</i>	416404	44554	<i>HYST</i>	471633	445PKG	<i>TIMKE</i>	445PKG	44774	<i>AMC</i>	470530
44521	<i>TROS</i>	410987	44554S	<i>TROS</i>	471570	445R	<i>TIMKE</i>	445PKG	4477B	<i>JN-MN</i>	455018
44522	<i>HYST</i>	415551	44555	<i>HYST</i>	350974	4460B	<i>JN-MN</i>	473474	4477B	<i>JN-MN</i>	476470

INTERCHANGE SECTION

COMPETITIVE INTERCHANGES



Mfr No.	Mfr. National	Mfr No.	Mfr. National	Mfr No.	Mfr. National	Mfr No.	Mfr. National
44793	GMC 471705	44924	SKF 370124A	450041	NATL 470041	45010	C-R 380022A
447PKG	TIMKE 447PKG	44924	SKF 370178A	450043	TIMKE 450043	45010	SKF 370022A
447R	TIMKE 447PKG	449425M1	MASSE JV933	450044	TIMKE 450044	45010	SKF 370178A
4484837	STEM 614837	44959	C-R 416888	450045	NATL 470045	45010	SKF 380022A
4482	ALOY 2081	44959	SKF 416888	450047	NATL 473426	45010	TROS 455008
4482	ALOY 416921	4496	ALOY 8792S	450048	TIMKE 450048	450100	NATL 410694
448236C1	IH 710022	44960	C-R 416888	450049	NATL 470049	450101	TIMKE 450101
44830810	TROS 416024	44960	SKF 416888	45005	TROS 417316	450102	NATL 410102
44833210	TROS 415437	44963	C-R 370178A	45005	TROS 455004	450103	TIMKE 450103
44834010	TROS 415937	44963	SKF 370178A	4500504	ALLCH 416888	450104	TIMKE 450104
4483456	CHRY5 5106	44964	C-R 370178A	4500504	ALLCH 455200	450111	TIMKE 450111
4483480775	TROS 415379	44964	SKF 370178A	450051	NATL 473427	450115	TIMKE 450115
4483480775	TROS 455379	44966	C-R 370178A	450052	NATL 471354	450117	TIMKE 450117
4483480775C	TROS 2218	44966	SKF 370178A	450054	TIMKE 450054	450118	NATL 473449
44834808	TROS 415379	44967	C-R 416888	450055	NATL 473215	450118	TIMKE 450118
44834808	TROS 455379	44967	C-R 455200	450055N	NATL 470055N	45011D	IH 450083
44834810	TROS 415379	44967	SKF 416888	450057	NATL 473225	45011D	IH 472924
44834810	TROS 455379	44967	SKF 455200	45006	TROS 455005	45012	TROS 417485
44834814	TROS 415379	44968	C-R 416888	450061	NATL 470950	450121	TIMKE 450121
44835610	TROS 417210	44968	SKF 416888	450061	NATL 6241S	45013	TROS 415995
44847	SIMRT 370001A	4496B	JN-MN 415036	450062	NATL 470062	45013	TROS 455013
4485	ALOY 8974S	44975	WAYNE 471730	450062	NATL 474264	450132	TIMKE 450132
44851	SIMRT 370065A	4498	ALOY 8835S	450063	NATL 471820	450133	TIMKE 450133
448543	FORD 3393	4499	ALOY 8460N	450064	NATL 470064	450136	NATL 470548
4485691	AMC 8549S	4499B	JN-MN 470565	450064	NATL 471821	450136	NATL 470625
44859	SIMRT 370025A	449PKG	TIMKE 449PKG	450065	TIMKE 450065	450137	NATL 471529
4485B	JN-MN 415234	449R	TIMKE 449PKG	450066	NATL 470066	450138	NATL 471869
4486	GRAY 450095	44G	OSHKO 415960	450066	TIMKE 450066	450138	NATL 473459
4486	GRAY 473464	44G	OSHKO 455009	450067	TIMKE 450067	450139	NATL 472234
44861	SIMRT 370003A	4501201	SAAB 710237	450068	TIMKE 450068	45013S	TIMKE 45013S
4486111	CHRY5 710501	4503983	SAAB 714436	450069	TIMKE 450069	45014	TROS 416654
4486140	AMC 313842	4500	GOODM 416154	45007	TROS 417344	45014	TROS 455012
4486141	AMC 474131	45000	TROS 417073	45007	TROS 455006	450140	NATL 471413
448644C91	IH 370131A	450005	NATL 470005	450070	TIMKE 450070	4501424	ALLCH 416888
448644C91	NAVST 380131A	450005	TIMKE 450005	450071	NATL 472439	4501424	ALLCH 455200
4486709	CHRY5 223005	450007	NATL 471281	450073	TIMKE 450073	450143	TIMKE 450143
4487B	JN-MN 417210	450008	NATL 471532	450076	TIMKE 450076	450144	NATL 473226
4488330	AMC 480821	45001	TROS 415001	450077	NATL 470077	450145	NATL 473460
44895	DANA 4434V	45001	TROS 455001	450077	NATL 474281	4501458	ALLCH 471765
44895	SPICE 4434V	450014	NATL 471472	450078	TIMKE 450078	4501459	ALLCH 473426
448A32809	TROS 455858	450018	NATL 471264	450082	TIMKE 450082	4501464	ALLCH 471466
448PKG	TIMKE 448PKG	450019	NATL 471549	450083	TIMKE 450083	450147	TIMKE 450147
448R	TIMKE 448PKG	45002	TROS 415988	450084	TIMKE 450084	45015	TROS 415995
44913	C-R 327303	450021	NATL 471551	450085	TIMKE 450085	45015	TROS 455013
44913	SKF 327303	450025	TIMKE 450025	450088	NATL 470088	450152	NATL 473205
44916	C-R 370066A	450027	NATL 470027	450089	TIMKE 450089	450154	TIMKE 450154
44916	C-R 370124A	45003	TROS 475003N	45008S	TROS 417344	450155	NATL 473447
44916	SKF 370066A	450030	TIMKE 450030	45008S	TROS 455006	450158	NATL 471762
44916	SKF 370124A	4500305	ALLCH 416888	45009	TROS 415007	450159	TIMKE 450159
4491713	TEREL 415379	4500305	ALLCH 455200	450090	TIMKE 450090	450160	NATL 471763
4491713	TEREL 455379	4500307	ALLCH 472439	450092	NATL 473458	450161	TIMKE 450161
44919	C-R 370124A	4500309	ALLCH 471442	450094	TIMKE 450094	450162	NATL 470162
44919	SKF 370124A	450034	NATL 470034	450094N	TIMKE 450094N	450163	NATL 470163
4491B	JN-MN 417601	450037	NATL 471137	450095	TIMKE 450095	450169	NATL 470169
44920	C-R 417530	450038	TIMKE 450038	450096	TIMKE 450096	4501690659AM	CHALL 370020A
44920	SKF 417530	450039	NATL 450039	450097	NATL 413469	45016S	TROS 415995
44922	C-R 370124A	450039	TIMKE 450039	450098	NATL 412943	45016S	TROS 455013
44922	SKF 370124A	45004	NATL 46997S	450099	TIMKE 450099	45017	TROS 417487
44924	C-R 370124A	45004	TROS 46997S	45010	C-R 370022A	45017	TROS 455014
44924	C-R 370178A	450040	TIMKE 450040	45010	C-R 370178A	450171	NATL 473016

INTERCHANGE SECTION

COMPETITIVE INTERCHANGES

Mfr No.	Mfr.	National	Mfr No.	Mfr.	National	Mfr No.	Mfr.	National	Mfr No.	Mfr.	National
450173	TIMKE	450173	450298	TIMKE	450298	45037	TROS	471570	4504939	ALLCH	450365
450177	TIMKE	450177	45030	GARLK	415725	450373	NATL	451948	4504939	ALLCH	470898
45018	TROS	450115	450300	NATL	472394	450374	NATL	411500	450494	TIMKE	450494
45018	TROS	473467	450301	TIMKE	450301	45038	GOODM	418028	45050	TROS	415043
450182	NATL	471747	450302	NATL	472012	45038	GOODM	455137	450503	NATL	470503
450182	NATL	472674	450303	TIMKE	472015	45038	TROS	416345	4505098	CHRY5	8609
450183	TIMKE	450183	450306	NATL	473461	45038	TROS	455033	45051	TROS	417514
450184	NATL	471571	450307	TIMKE	450307	450381	NATL	471652	450516	TIMKE	450516
450185	TIMKE	450185	450308	TIMKE	450308	4503830	ALLCH	416888	450519	TIMKE	450519
450186	NATL	473236	450309	NATL	471391	4503830	ALLCH	455200	45051S	TROS	415035
450187	NATL	453165	450311	TIMKE	450311	450389	TIMKE	450389	45051S	TROS	455035
450187	NATL	471619	450312	GR-DV	417191	45039	TROS	415034	45052	TROS	415045
450188	TIMKE	450188	450312	GR-DV	455165	45039	TROS	455034	450520	NATL	410520
450189	NATL	470189	450312N	NATL	410312N	4503N	TIMKE	4503N	450520	NATL	471272
45019	TROS	416288	450313	TIMKE	450313	45040	TROS	415035	450522	NATL	472258
450194	TIMKE	450194	450314	CABOT	417492	45040	TROS	455035	450523	TIMKE	450523
45020	TROS	456105	450314	FAIRB	55419	450400	TIMKE	450400	45053	TROS	417520
450202	NATL	472705	450315	NATL	473245	450403	NATL	470403	450533	TIMKE	450533
450208	NATL	451583	450316	GOODM	415991	450412	TIMKE	450412	450535	TIMKE	450535
45021	TROS	455018	450316	GOODM	455146	450415	TIMKE	450415	450536	TIMKE	450536
45021	TROS	476470	450316	MINMA	415991	45041S	TROS	415035	450539	TIMKE	450539
450211	NATL	470211	450316	MINMA	455146	45041S	TROS	455035	45054	TROS	415047
450215	NATL	471646	450316	TIMKE	450316	45042	TROS	415036	450540	TIMKE	450540
450219	NATL	470219	450316G	CLARK	415991	450430	TIMKE	450430	450541	NATL	471689
45022	TROS	455019	450316G	CLARK	455146	450431	TIMKE	450431	450543	NATL	470543
450222	NATL	471684	450317	TIMKE	450317	450433	NATL	471138	450543	NATL	474272
450222	NATL	471698	45031K	ALLCH	417181	450438	NATL	472299	450545	TIMKE	450545
450226	NATL	470590	45031S	TIMKE	45031S	45043S	TROS	415036	4505469	CHRY5	3946
450230	CABOT	455356	45032	C-R	416153	45044	TROS	455037	450549	NATL	471744
450230	NATL	470230	45032	SKF	416153	450441	TIMKE	450441	45055	TROS	417525
450232	NATL	471705	450320	NATL	473475	450444	TIMKE	450444	450552	NATL	470565
450233	NATL	471733	450322	NATL	412040	450446	TIMKE	450446	450553	NATL	470553
450236	NATL	470236	450326	TIMKE	450326	450449	NATL	471270	45056	TROS	416892
450237	WMG	471744	450329	TIMKE	450329	45045	TROS	417512	45057	TROS	417533
45024	TROS	415021	45032S	TROS	415027	450451	NATL	470451	450571	NATL	412027
450245	NATL	470245	45032S	TROS	455027	450452	TIMKE	450452	450574	NATL	413246
450247	NATL	473211	45033	TROS	55028	450453	NATL	473224	450574	NATL	413246N
450248	NATL	473436	450332	TIMKE	450332	450455	NATL	472319	450574N	WMG	480574H
45025	C-R	416888	450335	TIMKE	450335	450456	NATL	323125	45058	TROS	415371
45025	SKF	416888	450336	NATL	470336	450456	TIMKE	450456	450588	TIMKE	450588
45025	TROS	455022	450339	TIMKE	450339	450457	TIMKE	450457	45059	TROS	415138
450258	NATL	482253	45034	TROS	416125	45046	TROS	417513	450593	TIMKE	450593
45026	TROS	415023	450340	NATL	450340	450461	TIMKE	450461	45060	TROS	417223
450260	TIMKE	450260	450340	TIMKE	450340	450463	TIMKE	450463	4506005	CHRY5	710241
450262	NATL	470682	450341	TIMKE	450341	450467	TIMKE	450467	4506005	MOPAR	710241
450265	NATL	473235	450342	TIMKE	450342	45047	TROS	416891	4506005AB	CHRY5	710241
450267	NATL	472070	450343	TIMKE	450343	450472	NATL	7751H	450604	NATL	450604
450269	TIMKE	450269	45035	TROS	55030	450472	TIMKE	450472	450604	TIMKE	450604
45027	TROS	455024	450350	TIMKE	450350	4504729	ALLCH	415147	45061	AMC	450078
450273	TIMKE	450273	450351	NATL	470351	4504729	ALLCH	415449	45061	AMC	473444
450274	TIMKE	450274	450352	TIMKE	450352	450474	TIMKE	450474	45061	TROS	455056
450275	TIMKE	450275	450354	NATL	470354	450479	NATL	473445	45062	TROS	417516
450279	TIMKE	450279	450359	NATL	473448	450479	WMG	472810	450621	TIMKE	450621
45028	TROS	415025	45036	TROS	416339	45048	TROS	415041	45063	TROS	415058
450280	TIMKE	450280	45036	TROS	455031	450482	TIMKE	450482	450639	TIMKE	450639
450285	TIMKE	450285	450360	NATL	471870	450487	NATL	470487	45064	TROS	417238
450286	NATL	473443	450360	NATL	471883	450487	NATL	470487N	450645	NATL	470645
45029	TROS	455026	450361	TIMKE	450361	450489	TIMKE	450489	45065	TROS	415060
450291	TIMKE	450291	450362	TIMKE	450362	45049	TROS	415138	450666	TIMKE	450666
450295	NATL	472144	450365	TIMKE	450365	450492	TIMKE	450492	45067	TROS	415351

INTERCHANGE SECTION

COMPETITIVE INTERCHANGES



Mfr No.	Mfr. National	Mfr No.	Mfr. National	Mfr No.	Mfr. National	Mfr No.	Mfr. National
4506725	ALLCH 472439	45093	C-R 380009A	45100	TROS 411245	45117	TROS 415116
45068	TROS 457585	45093	C-R 380022A	45100	TROS 455096	45118	TROS 455117
450680	WMG 471570	45093	C-R 380131A	45100D	IH 480210	451182	TIMKE 451182
450686	TIMKE 450686	45093	SKF 370021A	4510113	JOY 7700S	45119	TROS 415551
45069	C-R 416892	45093	SKF 370022A	4510141	JOY 415003	45120	TROS 417598
45069	SKF 416892	45093	SKF 370131A	4510141	JOY 415458	45121	TROS 455406
45069	TROS 417536	45093	SKF 380009A	45101S	TROS 411245	45122	TROS 455121
450693	TIMKE 450693	45093	SKF 380022A	45101S	TROS 455096	45123	TROS 417602
45070	C-R 416892	45093	SKF 380131A	45102	C-R 370131A	45124	TROS 455123
45070	SKF 416892	45093	TROS 416167	45102	C-R 380131A	45125	TROS 415124
45070	TROS 415066	45093	TROS 455091	45102	SKF 370131A	4512559	ALLCH 455200N
45071	TROS 456890	45094	TROS 417596	45102	SKF 380131A	45126	TROS 417022
450719	NATL 471984	45095	C-R 370022A	45102	TROS 415302	45127	TROS 417604
45072	TROS 417269	45095	C-R 370124A	451024	NATL 471653	45128	TROS 417567
45073	TROS 417273	45095	C-R 370131A	45103	C-R 370131A	45129	TROS 415128
450737	TIMKE 450737	45095	C-R 380022A	45103	C-R 380131A	45130	GARLK 417278
450737N	NATL 470737N	45095	C-R 380069A	45103	SKF 370131A	45130	TROS 455129
45073D	IH 417344	45095	C-R 380131A	45103	SKF 380131A	45131	TROS 417474
45074	TROS 416865	45095	SKF 370022A	45103	TROS 416282	45132	TROS 455134
45074	TROS 455070	45095	SKF 370124A	45104	TROS 415645	45133	TROS 455136
450746	NATL 471862	45095	SKF 370131A	45104	TROS 455104	45134	TROS 418028
45075	TROS 417546	45095	SKF 380022A	45104D	IH 415960	45134	TROS 455137
45076	TROS 415072	45095	SKF 380069A	45104D	IH 455009	45134D	IH 415147
450765	TIMKE 450765	45095	SKF 380131A	45105	C-R 370022A	45134D	IH 415449
45077	TROS 416107	45096	TROS 411376	45105	C-R 370131A	45135S	TROS 418028
45077	TROS 455073	45096	TROS 455093	45105	C-R 380022A	45135S	TROS 455137
450776	TIMKE 450776	450965	TIMKE 450965	45105	C-R 380131A	45136	TROS 417554
45078S	TROS 416107	45096S	TROS 411376	45105	SKF 370022A	4513621	ALLCH 472439
45078S	TROS 455073	45096S	TROS 455093	45105	SKF 370131A	45136215	ALLCH 472439
45079	TROS 415074	45097	C-R 370022A	45105	SKF 380022A	45138	TROS 415142
45080	GARLK 416865	45097	C-R 380022A	45105	SKF 380131A	45139	TROS 455144
45080	TROS 416476	45097	SKF 370022A	45105	TROS 415938	45140	C-R 416070
45080	TROS 455075	45097	SKF 380022A	45106S	TROS 415938	45140	SKF 416070
450803	TIMKE 450803	45097	TROS 416444	451078	TIMKE 451078	45140	TROS 417172
450806	NATL 470806	45098	C-R 370022A	45108	C-R 370022A	45141	TROS 415991
450808	NATL 470808	45098	C-R 380022A	45108	C-R 370086A	45141	TROS 455146
45081	TROS 415076	45098	SKF 370022A	45108	C-R 380022A	451424	ALLCH 416888
450819	TIMKE 450819	45098	SKF 380022A	45108	SKF 370022A	451424	ALLCH 455200
45082	TROS 415077	45098	TROS 416271	45108	SKF 370086A	45142S	TROS 415991
45083	TROS 55078S	450984	TIMKE 450984	45108	SKF 380022A	45142S	TROS 455146
45084	TROS 455079	450988	NATL 473474	45108	TROS 416666	45143	TROS 415449
45085	TROS 455080	45099	C-R 370022A	451082	TIMKE 451082	45143	TROS 455147
45086	TROS 415082	45099	C-R 380022A	45109	TROS 457874	451446	WHITE 6545
450867	TIMKE 450867	45099	SKF 370022A	45110	C-R 416154	45144S	TROS 415449
450867	WMG 450867	45099	SKF 380022A	45110	SKF 416154	45144S	TROS 455147
450868	NATL 473203	45099D	IH 450593	45110	TROS 417562	45145	TROS 417366
450869	TIMKE 450869	45099S	TROS 416271	451100	NATL 471652	451456	NATL 472475
45087	TROS 416239	450PKG	TIMKE 450PKG	4511035	WOOL 417158	451458	ALLCH 471765
4508700	CALI 417486	450R	TIMKE 450PKG	4511035	WOOL 455355	451459	ALLCH 473426
45088	TROS 415085	450TA840	OSHKO 100495	45111	C-R 416154	45146	TROS 417343
45088	TROS 456648	450TA840	OSHKO 476023N	45111	SKF 416154	451464	ALLCH 471466
45089	TROS 417487	4510	ALOY 7934S	45111	TROS 417563	451469	TIMKE 451469
45089	TROS 455086	45100	C-R 370022A	45112	TROS 416229	45147	TROS 415150
450895	NATL 470895	45100	C-R 370131A	45113	TROS 417298	45148	TROS 455151
450911N	TIMKE 450911N	45100	C-R 380022A	45114	TROS 455310	45149	TROS 417134
45092	TROS 415090	45100	C-R 380131A	451143	TIMKE 451143	4515	ALOY 7537S
450929	NATL 473237	45100	SKF 370022A	451147H	TIMKE 451147H	4515	JOHND 410101N
45093	C-R 370021A	45100	SKF 370131A	45115	TROS 455584	45150	C-R 415351
45093	C-R 370022A	45100	SKF 380022A	45116	TROS 416077	45150	SKF 415351
45093	C-R 370131A	45100	SKF 380131A	451162N	NATL 482041N	45150	TROS 417486

INTERCHANGE SECTION

COMPETITIVE INTERCHANGES

Mfr No.	Mfr.	National	Mfr No.	Mfr.	National	Mfr No.	Mfr.	National	Mfr No.	Mfr.	National
45151	TROS	417351	45185	TROS	455188	45239	TROS	415254	4529N	TIMKE	4529N
45151	TROS	455154	451857	TIMKE	451857	45239	VIC	5414	452PKG	TIMKE	452PKG
45152	C-R	370021A	45186	TROS	455191	4524	ALOY	7412S	452R	TIMKE	452PKG
45152	C-R	370086A	45187S	TIMKE	45187S	45240	TROS	417198	4530	TIMKE	4530
45152	SKF	370021A	45189	TROS	455194	45242	TROS	417252	45300	TROS	455336
45152	SKF	370086A	4518H	MALL	40140S	452424C1	IH	100495	45301	TROS	55337
45153	TROS	416011	45190	TROS	455195	452424C1	IH	476023N	45302	TROS	415991
45153	TROS	417621	45190	TROS	472157	45243	TROS	415259	45302	TROS	455146
45155	TROS	416292	45191	TROS	415196	45244	TROS	455260	4530221700	HYUND	320583
45157	C-R	370011A	45192	TROS	455197N	452444C000	HYUND	221207	45304	TROS	417494
45157	C-R	370021A	45193	TROS	415196	452444C000	KIA	221207	453065	TIMKE	453065
45157	SKF	370011A	451948	TIMKE	451948	45247	TROS	415263	45307	ALLCH	472439
45157	SKF	370021A	45195	TROS	416888	45248	TROS	415867	45308	TROS	417159
45157S	TROS	417488	45195	TROS	455200	45249	TROS	416865	45309	ALLCH	471442
45158	C-R	370021A	45196	TROS	417509	45254	TROS	417605	45309	TROS	415349
45158	SKF	370021A	45197	TROS	455203	45255	TROS	415725	45310	GARLK	417262
45158	TROS	417171	45199	TROS	416137	452554	NATL	452554N	45310	TROS	415350
451583	TIMKE	451583	4519LA	JN-MN	416888	452554N	TIMKE	452554N	45311	TROS	55353
45159	TROS	417490	4519LA	JN-MN	455200	45256	TROS	416706	45312	TROS	416404
45160	C-R	370021A	4519LUP	JN-MN	416888	45256	TROS	455272	4531216	CHRY	7300S
45160	C-R	370192A	4519LUP	JN-MN	455200	45257	TROS	417254	4531216AB	CHRY	7300S
45160	SKF	370021A	451PKG	TIMKE	451PKG	4525V	TIMKE	4525V	4531216AB	MOPAR	7300S
45160	SKF	370192A	451R	TIMKE	451PKG	45261	TROS	455280	4531225	CHRY	331227H
45160	TROS	417181	4520	DURA	330385	45262	TROS	415281N	4531225	MOPAR	331227H
45161	TROS	417491	45201	TROS	416149	45263	TROS	416364	45313	TROS	416404
45162	C-R	370006A	45202	TROS	417526	45263	VIC	5458	45314S	TROS	416404
45162	C-R	370192A	45203	TROS	416154	45264	TROS	416865	45315	TROS	455356
45162	SKF	370006A	45205	TROS	416158	45265	TROS	417602	453165	TIMKE	453165
45162	SKF	370192A	45206	TROS	417535	45266	TROS	455290	453166	NATL	350974
45162	TROS	412473	45207	TROS	417247	45268	TROS	417584	45317	TROS	55357
45162	TROS	415894	45208	TROS	416163	45269	TROS	415294	453182	TIMKE	453182
45163	TROS	417191	452086	TIMKE	452086	45269	TROS	455294	45319	TROS	456865N
45163	TROS	455165	45209	TROS	417539	45270S	TROS	415294	4531938000	HYUND	710259
45164	TROS	417492	45210	C-R	710258	45270S	TROS	455294	45320	TROS	417362
45165	TROS	417354	45210	SKF	710258	45271	TROS	415295	45321	TROS	415284
45166	TROS	417493	45210	TROS	417267	45272	TROS	417082	45321S	TROS	417362
451662	NATL	471649	45212	TROS	415219	45273	TROS	455297	45322	TROS	416664
45167	TROS	417196	45213	TROS	415871	45274	TROS	417600	45322	TROS	455364
45168	TROS	415711	452164N	NATL	472164V	452742	TIMKE	452742	45323S	TROS	416664
45169	TROS	416047	452164N	NATL	482164N	45275	TROS	417601	45323S	TROS	455364
45169	TROS	416332	45218	TROS	417020	45276	TROS	55301S	45324	TROS	327303
45170	TROS	415437	45219	TROS	415227	45277	TROS	476470	45327	TROS	415483
45170	TROS	455173	45220S	TROS	5487	45278	TROS	415991	45327	TROS	455368
451709	NATL	471413	45221	TROS	415482	45278	TROS	455146	453279	TIMKE	453279
45171	TROS	417497	45222	TROS	416153	45279	TROS	455308	45328S	TROS	415483
45172	TROS	415937	452222	TIMKE	452222	45281	TROS	455310	45328S	TROS	455368
45173	TROS	417501	45223	TROS	417538	45282	TROS	455311	45329	TROS	417537
45174	TROS	415379	45224	TROS	415234	45283	TROS	417278	4532N	TIMKE	4532N
45174	TROS	455379	45226	TROS	55238	45285	TROS	415984	45331	TROS	417541
45176	TROS	417210	452261H	TIMKE	452261H	452867R91	IH	40059S	45332	TROS	415284
45177	TROS	417498	452267	NATL	482267	45287	TROS	415317	45333S	TROS	415284
45178	TROS	417355	45229	TROS	417481	45288	TROS	417542	45334	TROS	415379
4517LA	JN-MN	472439	45231	TROS	416919N	45289	TROS	417495	45334	TROS	455379
45180	TROS	417205	45233	TROS	412861	4528N	TIMKE	4528N	453341	TIMKE	453341
451817	TIMKE	451817	45234	TROS	455249	45290	TROS	455321	45335S	TROS	415379
45182	TROS	417211	45235	TROS	415303	45291	TROS	417484N	45335S	TROS	455379
45183	TROS	455186	45236	TROS	455251H	45291	TROS	455322	45337	TROS	416956
45184	TROS	415187	45237S	TROS	455251H	45292	TROS	417532	45338S	TROS	416956
451845	TIMKE	451845	45238	TROS	455253	45296	TROS	455330	45339	TROS	475384
45185	TROS	417356	45238	VIC	5414	45297	TROS	417191	45341	TROS	415389

INTERCHANGE SECTION

COMPETITIVE INTERCHANGES



Mfr No.	Mfr.	National	Mfr No.	Mfr.	National	Mfr No.	Mfr.	National	Mfr No.	Mfr.	National
45344	TROS	417511	45404	TROS	455556	454755C1	IH	711553	455070	TIMKE	455070
45345	TROS	415394	45405	TROS	415559	454755C1	SPICE	711553	455070N	NATL	456865N
45346	TROS	417549	45406	TROS	55563	45475S	TROS	455189	455071	NATL	417546
45347	TROS	455396	45407	TROS	455566	45476S	TROS	415196	455072	NATL	415072
4534B	JN-MN	470764	45408S	TROS	417506	45477S	TROS	416153	455073	TIMKE	455073
45350	GARLK	417358	45409S	TROS	455576	45478	TROS	417484N	455075	TIMKE	455075
45350	TROS	417551	45410	TROS	415577	45478	TROS	455322	455079	TIMKE	455079
45352	TROS	55419	45412	TROS	456618	45478S	TROS	417484N	455080	TIMKE	455080
45355	NEWPR	710684	454136N	TIMKE	454136N	45478S	TROS	455322	455082	NATL	415082
45355	TROS	455434	45415	TROS	416070	454PKG	TIMKE	454PKG	455082	WMG	415082
45356	NEWPR	710694	45420	TROS	416294	454R	TIMKE	454PKG	455084	NATL	416239
45357	TROS	415437	45422	TROS	416024	455000	NATL	417073	455086	TIMKE	455086
45359	TROS	415442	45425	TROS	415371	455001S	TIMKE	455001	455088	TIMKE	455088
45361	TROS	415447	45429	TROS	455655	455002	NATL	415988	455088V	TIMKE	455088V
45362	TROS	417597	45432	TROS	412473	455003	TIMKE	455003	455091	TIMKE	455091
45363	TROS	455576	45432	TROS	415894	455004S	TIMKE	455004	455093	TIMKE	455093
45364	TROS	455462	45433	TROS	415683	455005	TIMKE	455005	455094	NATL	416444
45366	TROS	55469	45433214	TROS	370001A	455006	TIMKE	455006	455095	NATL	416271
45367	TROS	455471	45433214	TROS	380001A	455006N	TIMKE	455006N	455096	TIMKE	455096
45369	TROS	417518	45434	TROS	455685	455007	NATL	415007	455098	NATL	415302
45371	TROS	455476	45437S	TROS	416364	455008	TIMKE	455008	4550A	DIA	471689
45372	TROS	417350	45440	TROS	416071	455009	TIMKE	455009	4550A	HERCU	471689
45372	TROS	455479	45443	TROS	455820	455011	TIMKE	455011	4550B	JN-MN	416011
45373	TROS	455480	45445	TROS	410825	455012	TIMKE	455012	4550B	JN-MN	417621
45374S	TROS	455480	45448	TROS	417604	455013	TIMKE	455013	455104	TIMKE	455104
45375	TROS	417543	45449	TROS	455858	455014	TIMKE	455014	455105	NATL	415938
45376	TROS	415482	45450	GARLK	417359	455015	TIMKE	455015	455106	NATL	417556
45378S	TROS	415937	45450S	TROS	2218	455016	NATL	416288	455107	NATL	416666
45379	TROS	417555	45451	TROS	417550	455017	NATL	456105	455109	NATL	417562
45381	TROS	417548	45452S	TROS	475003N	455018	TIMKE	455018	455111	NATL	416229
45382S	TROS	417548	45453	TROS	415960	455019	TIMKE	455019	455117	TIMKE	455117
45383	TROS	415498	45453	TROS	455009	455020	TIMKE	455020	455121	TIMKE	455121
453830	ALLCH	416888	45454	TROS	416921	455022	TIMKE	455022	455121V	TIMKE	455121V
453830	ALLCH	455200	45454	TROS	455011	455024	TIMKE	455024	455123	TIMKE	455123
45383A	HERCU	45637S	45455	TROS	411376	455025	NATL	415025	455129	TIMKE	455129
45384S	TROS	415498	45455	TROS	455093	455026	TIMKE	455026	455134	TIMKE	455134
45385	TROS	418029	45456	TROS	415027	455026C1	IH	340120	455136	TIMKE	455136
45385	TROS	455499	45456	TROS	455027	455027	TIMKE	455027	455137	NATL	370178A
45386	TROS	455500	45457	TROS	417556	455029	NATL	416125	455137	TIMKE	455137
45388	TROS	455583N	45458S	TROS	416011	455031	TIMKE	455031	455144	TIMKE	455144
45390	TROS	455509	45458S	TROS	417621	455032	NATL	455032	455145	NATL	417172
45392	TROS	416130	45459	TROS	417488	455032	TIMKE	455032	455146	TIMKE	455146
45393	TROS	417507	45460	TROS	417357	455033	TIMKE	455033	455147	TIMKE	455147
45393	TROS	455513	45460	TROS	455192	455034	TIMKE	455034	455150	NATL	415150
45394S	TROS	417507	45461	TROS	417606	455035	TIMKE	455035	455151	TIMKE	455151
45394S	TROS	455513	45462	TROS	6985	455035460	WMG	710022	455153	NATL	417486
45396	TROS	55524	45465	TROS	6864S	455035N	TIMKE	455035N	455154	TIMKE	455154
4539796	CHRY	4738N	45466S	TROS	370019A	455036	NATL	415036	455156	NATL	416011
4539891	CHRY	4748N	45467	TROS	417570	455037	TIMKE	455037	455156	NATL	417621
453996R91	IH	473426	454705C1	IH	711553	45504	ALLCH	416888	455158	NATL	417488
4539H	TIMKE	4359V	454706C1	IH	710006	45504	ALLCH	455200	455162	NATL	417181
4539V	TIMKE	4539V	454706C1	SPICE	710006	455040	NATL	416891	455165	TIMKE	455165
453PKG	TIMKE	453PKG	454707C91	IH	410987	455041	NATL	415041	455170	NATL	417196
453R	TIMKE	453PKG	454707C91	IH	450686	455049	NATL	416892	455172	NATL	416047
45400	GARLK	415645	45471	TROS	416102	455053	NATL	415138	455172	NATL	416332
45401	TROS	415697	454729	ALLCH	415147	455054	NATL	417223	455172N	NATL	416332
45401	TROS	455547	454729	ALLCH	415449	455056	TIMKE	455056	455173	TIMKE	455173
45402S	TROS	415697	45472S	TROS	416288	455058	NATL	415058	455177	NATL	415379
45402S	TROS	455547	45473S	TROS	416865	455060	NATL	370019A	455177	NATL	455379
45403	TROS	55548	45473S	TROS	455070	455060	TIMKE	415060	455183	NATL	417205

INTERCHANGE SECTION

COMPETITIVE INTERCHANGES

Mfr No.	Mfr.	National	Mfr No.	Mfr.	National	Mfr No.	Mfr.	National	Mfr No.	Mfr.	National
455185	NATL	417211	455368	TIMKE	455368	455615	NATL	455137	45653S	TIMKE	45653S
455186	NATL	417967	455371	NATL	415371	45561D	IH	410085	456557	TIMKE	456557
455186	TIMKE	455186	455377	NATL	417541	45561D	IH	470530	456618	NATL	370023A
455188	TIMKE	455188	455378	NATL	415284	45564SA	TRSCM	416153	456618	TIMKE	456618
455189	TIMKE	455189	455379	TIMKE	455379	455655	TIMKE	455655	456618	WMG	370023A
455191	TIMKE	455191	455379V	NATL	3893V	455685	NATL	370131A	456618S61	IH	370023A
455192	TIMKE	455192	455383	NATL	416956	455685	TIMKE	455685	456618S61	NAVST	370023A
455194	TIMKE	455194	455396	TIMKE	455396	455820	TIMKE	455820	456618S61	NAVST	380023A
455195	TIMKE	455195	4553B	JN-MN	473245	455828V	TIMKE	455828V	456641	TIMKE	456641
455196	NATL	415196	455406	TIMKE	455406	455858	TIMKE	455858	456648	TIMKE	456648
455197	TIMKE	455197	4554137000	HYUND	710361	455860	TIMKE	455860	45667D	IH	471442
455197N	TIMKE	455197N	4554137001	HYUND	710361	455867V	TIMKE	455867V	45670	DANA	473227V
455200	NATL	370178A	4554137002	HYUND	710361	45587	HYST	471354	4567047	CHRYS	4889
455200	TIMKE	455200	455434	TIMKE	455434	4558B	JN-MN	417600	456744N	TIMKE	456744N
455200N	TIMKE	455200N	455437	NATL	415437	455948	TIMKE	455948	4567809	CHRYS	4889
455203	TIMKE	455203	455437N	NATL	415437	455953	NATL	415035	4567811	CHRYS	4890
455208	CLARK	474278	455446R91	IH	413469	455953	NATL	455035	456837V	TIMKE	456837V
455208	CLARK	480356	455447	NATL	415447	455953	WMG	415035	456865N	TIMKE	456865N
45521	HYST	473226	455447R91	IH	470088	455953	WMG	415953	456890	TIMKE	456890
455211	NATL	416158	455448	TIMKE	455448	455956H	TIMKE	455956H	4568R	JN-MN	472150
455213	NATL	417247	455448R91	IH	471795	455958S	TIMKE	455958	4569	ALOY	416273
455214	CLARK	471570	455449R91	IH	450593	455963H	NATL	2218	456919V	TIMKE	456919V
455234	NATL	415234	455450R91	IH	473463	455966	TIMKE	455966	456967V	TIMKE	456967V
455244	NATL	417481	455451R91	IH	471466	455995N	TIMKE	455995N	45699	C-R	370003A
455249	NATL	455249	455452R91	IH	481443	455D6	WHITE	6635S	45699	C-R	370006A
455249	TIMKE	455249	455453R91	IH	471827	455PKG	TIMKE	455PKG	45699	C-R	380003A
455251H	TIMKE	455251H	455462	TIMKE	455462	455R	TIMKE	455PKG	45699	SKF	370003A
455253	TIMKE	455253	455471	TIMKE	455471	456055	TIMKE	456055	45699	SKF	370006A
455258R91	IH	41013S	455473	NATL	417518	456057	TIMKE	456057	45699	SKF	380003A
45525S	TIMKE	45525S	455475	TIMKE	455475	456105	TIMKE	456105	456A34010	TROS	417355
455260	TIMKE	455260	455476	TIMKE	455476	456141	TIMKE	456141	456PKG	TIMKE	456PKG
455263	NATL	415263	455479	TIMKE	455479	456192	TIMKE	456192	456R	TIMKE	456PKG
455271	NATL	415725	455479	WMG	417350	456197	CLARK	240119	457130	ELRNG	710189
455272	TIMKE	455272	455479V	TIMKE	455479V	4561V	TIMKE	4561V	45701K	TROS	5401
455280	TIMKE	455280	455480	TIMKE	455480	45620	GARLK	417254	45702D	IH	6200
455281	NATL	415281N	455480V	TIMKE	455480V	45621	HYST	473226	45705	C-R	370003A
455282	NATL	416364	455499	TIMKE	455499	45625SA	TRSCM	415351	45705	C-R	370025A
455290	TIMKE	455290	45550	C-R	417533	456292	NATL	416292	45705	C-R	380003A
455294	TIMKE	455294	45550	SKF	417533	456294	CLARK	470567N	45705	C-R	380025A
455297	TIMKE	455297	455500	NATL	475500	4563	ALOY	411330N	45705	C-R	386025A
455300	NATL	417601	455500	TIMKE	455500	456305	TIMKE	456305	45705	SKF	370003A
455308	TIMKE	455308	455509	TIMKE	455509	456340085	TROS	417355	45705	SKF	370025A
455309	CLARK	450183	455511	NATL	2081	456340085	TROS	485497	45705	SKF	380003A
455309	CLARK	472179	455513	TIMKE	455513	45634010	TROS	417355	45705	SKF	380025A
455310	TIMKE	455310	455536	TIMKE	455536	45635610	TROS	417211	45705	SKF	386025A
455311	TIMKE	455311	455547	TIMKE	455547	45637S	TIMKE	45637S	457050	C-R	370003A
455315	NATL	415984	45554S	TROS	471570	4563V	TIMKE	4563V	457050	C-R	380003A
455321	TIMKE	455321	45555	TROS	450067	45640004	TROS	45187S	457050	SKF	370003A
455322	TIMKE	455322	45555	TROS	473228	456414	NATL	415991	457050	SKF	380003A
455322N	TIMKE	455322N	455551	NATL	415551	456414	NATL	455146	45710	GARLK	417361
455322V	TIMKE	455322V	455556	TIMKE	455556	45645	GARLK	417247	457211	NATL	417211
455328	TIMKE	455328	45555TA	TRSCM	416888	456462	TIMKE	456462	457211	WMG	417211
455330	TIMKE	455330	45555TA	TRSCM	455200	456493	WHITE	473215	457226	FMC	473232
455336	TIMKE	455336	455566	TIMKE	455566	4564B	JN-MN	418028	45729	HYST	455280
455347	NATL	417159	455576	TIMKE	455576	4564B	JN-MN	455137	457295	TIMKE	457295
45534TA	TRSCM	417530	455583N	TIMKE	455583N	4564V	TIMKE	4564V	4573927	CHRYS	321417N
455354	NATL	416404	455584	TIMKE	455584	45650	GARLK	417360	4573927	JEEP	321417N
455355	TIMKE	455355	45560	C-R	457585	456500	PACIF	416500	457585	TIMKE	457585
455356	TIMKE	455356	45560	SKF	457585	45651	SPICE	710455	4576	DURA	470045
455364	TIMKE	455364	455615	NATL	418028	45652	SPICE	710453	4576	DURA	476838

INTERCHANGE SECTION

COMPETITIVE INTERCHANGES



Mfr No.	Mfr. National	Mfr No.	Mfr. National	Mfr No.	Mfr. National	Mfr No.	Mfr. National
457874	TIMKE 457874	4598	TIMKE 4598	46045	TROS 450040	46099	VIC 6985
45788	VICK 450545	459PKG	TIMKE 459PKG	46046	VIC 470059	460PKG	TIMKE 460PKG
457997	TIMKE 457997	459R	TIMKE 459PKG	46046	VIC 470380	460R	TIMKE 460PKG
457PKG	TIMKE 457PKG	45X62X8SB	TRSCM 1012N	46047	TROS 471419	46100	VIC 6930
457R	TIMKE 457PKG	45X65X5TB	TRSCM 1992	46047	TROS 473367	4610001	KOEH 453165
4580562	RCA 471571	45X75X8SB	TRSCM 1979	46048	TROS 473228	4610001	KOEH 471619
4580563	RCA 415379	4606001	STEM 475003N	46048	VIC 6960	46101	TROS 40973S
4580563	RCA 455379	4606002	STEM 9773	46049	VIC 471829	46102	VIC 472287
4580566	RCA 470548	4606003	STEM 35949N	46050	GARLK 415072	4610204	KOEH 470086
4580566	RCA 470625	4606004	STEM 475322N	46050PM	VIC 417158	46103	VIC 471689
4580567	RCA 415449	4606005	STEM 475009N	46052	VIC 415899N	4610309	KOEH 450441
4580567	RCA 455147	4606006	STEM 475012N	46052	VIC 416624N	4610309	KOEH 471341
458111C1	IH 481181	4606007	STEM 415013N	46052M4	VIC 416624N	4610314	KOEH 410825
458111C1	IH 481181N	4606008	STEM 476283N	46053	SPICE 5778	4610323	KOEH 55238
458112C1	IH 412871	4606009	STEM 475458	46053	SPICE 5778V	46104	VIC 323133
458112C1	IH 450329	4606011	STEM 415304	46053	TROS 472287	4610400	KOEH 417549
45816	EATON 415003	4606012	STEM 415086N	46053	VIC 5778	4610401	KOEH 415047
45816	EATON 415458	4606013	STEM 415004	46055	TROS 473010	4610402	KOEH 415150
45825S	TIMKE 45825S	46002	TROS 471192	46055	VIC 352560	4610409	KOEH 456105
45827S	TIMKE 45827S	46002	VIC 6626S	46055	VIC 472560N	4610411	KOEH 415035
4583	TIMKE 4583	46002006	AA&M 710547	46057	VIC 5589	4610411	KOEH 455035
458428	IH 415836N	46002024	AA&M 710688	460571	GMC 5072	4610413	KOEH 415066
458478	STUDE 473234	46002025	AA&M 710687	46058	TROS 415147	4610423	KOEH 412473
45850	GARLK 417362	46003	VIC 415302	46058	TROS 415449	4610423	KOEH 415894
4585248	HR-DV 481181	46004	SPICE 9864S	46058	VIC 343099	4610426	KOEH 415027
4585248	HR-DV 481181N	46006	VIC 6636S	46058	VIC 471652	4610441	KOEH 417254
4585589	ROVER 3393	46007	VIC 476470	46058	VIC 482208	4610502	KOEH 415072
4585OS	JN-MN 470059	46008	VIC 6815	46060	C-R 710089	4610506	KOEH 415116
4585OS	JN-MN 470380	46009	VIC 473016	46060	SKF 710089	4610B	JN-MN 471466
45866	SPICE 710430	46010	VIC 473228	46060	TROS 417344	46110	VIC 415156N
4587B	JN-MN 450639	46011	VIC 451857	46060	VIC 6840S	4611035	WOOL 417602
4587LUP	JN-MN 450639	46012	VIC 470077	46061	VIC 472015	46112	VIC 470487
458858	GMC 8622	46012	VIC 474281	46062	VIC 471829	46112	VIC 470487N
458859	GMC 8622	46013	VIC 472164	46063	VIC 471442	46113	VIC 474278
45890	GARLK 417363	46014	VIC 470308N	46065	SPICE 710429	4611315	KOEH 415483
458925R91	IH 203006	46015	VIC 415001	46065	TROS 416444	46114	VIC 473234
4589A	HERCU 450082	46018	VIC 450666	46065	VIC 473234	4611441	KOEH 415991
4589A	HERCU 473238	46019	VIC 471195	46066	SPICE 710428	4611441	KOEH 455146
4589EL	SUL 415995	46019	VIC 481195	46068	TROS 415379	4611442	KOEH 417158
4589EL	SUL 455013	46020	TROS 200600	46068	VIC 7994S	4611442	KOEH 455355
458PKG	TIMKE 458PKG	46020	VIC 240733	46070	VIC 473231	46115	VIC 450025
458R	TIMKE 458PKG	46025	TROS 200640	46073	VIC 473224	46115	VIC 471553
45906	US-EL 415035	46025	VIC 204017	46076	VIC 205017	4611502	KOEH 416364
45906	US-EL 455035	46026	VIC 6759S	46077	VIC 340771	46116	VIC 470625
45910	GARLK 416666	46027	VIC 340413	46078	VIC 474278	4611773	ALLCH 471567
4592	ALOY 6936S	46028	VIC 473224	46078	VIC 6859S	46117735	ALLCH 471567
4592	ALOY 9845	46030	GARLK 417365	46080	VIC 450066	46121	VIC 9568
459243C1	IH 415035	460300R91	IH 470189	46080	VIC 473367	46122	VIC 44053
459243C1	IH 415953	460300R91	IH 471692	46081	VIC 5128N	46123	VIC 6703S
45925	GARLK 417364	46032	VIC 323119	46085	VIC 710409	4612310	KOEH 412040
4592B	JN-MN 481650	46033	TROS 7208S	46087	VIC 416273	4612319	KOEH 417484N
459322	FWD 471554	46033	VIC 7886S	46087	VIC 471419	4612319	KOEH 455322
4594B	JN-MN 415697	46036	VIC 712260	46087	VIC 473367	46125	C-R 456641
4594B	JN-MN 455547	46038	VIC 473226	46089	VIC 6808N	46125	SKF 456641
4594EL	SUL 415001	46039	VIC 473231	46090	VIC 9150S	46125	VIC 450076
4594EL	SUL 455001	46040	VIC 470565	46091	VIC 473467	46125	VIC 470334
4596A	HERCU 471192	46041	VIC 7537S	46093	VIC 7044NA	46128	VIC 472287
4596EL	SUL 416654	46042	TROS 200642	46096	VIC 3095	46130	VIC 7022S
4596EL	SUL 455012	46043	VIC 3103	46097	VIC 473215	4613124000	HYUND 710699
4597EL	SUL 417196	46044	VIC 451948	46098	VIC 9613S	4613134010	HYUND 320583

INTERCHANGE SECTION

COMPETITIVE INTERCHANGES

Mfr No.	Mfr.	National	Mfr No.	Mfr.	National	Mfr No.	Mfr.	National	Mfr No.	Mfr.	National
4613136000	HYUND	320583	4617919	MITSU	710557	462316	GOODM	417196	462837	WHITE	410101N
4613136001	HYUND	320583	4617919	MOPAR	710557	462316	GR-DV	417196	46284	VIC	291295
4613136002	HYUND	320583	46181	HYST	50528	462320	MINMA	416047	46285	C-R	416158
461313B000	HYUND	320583	46181	VIC	417350	462320	MINMA	416332	46285	SKF	416158
461313B600	HYUND	320583	46181	VIC	455479	46239	VIC	350567	462857	GMC	470682
461314C000	HYUND	224663	46182	VIC	471652	46239	VIC	471267	46286	VIC	415449
461314C000	KIA	224663	46183	VIC	471341	46240	VIC	5113	46286	VIC	455147
46132	VIC	472705	46186	VIC	311189	46241	TROS	6241S	462864	GMC	9316
46133	VIC	472185	46188	VIC	470328	46241	VIC	342805	46288	C-R	710901
46134	VIC	321460	46188	VIC	481213	46242S	TROS	6241S	46288	SKF	710901
46135	VIC	417316	46189	VIC	417343	46243	VIC	7840S	46288	TIMKE	710901
46135	VIC	455004	46190	VIC	6906S	46246	VIC	451182	46288	VIC	205044
46136	VIC	455500	46192	VIC	6863S	46247	VIC	415013	46289	VIC	482041N
4613N	TIMKE	4613N	46194	VIC	343101	46247	VIC	415995	46290	VIC	480581
46140	VIC	410059	46195	VIC	351466	4624N	WMG	4624V	46291	VIC	416404
46140	VIC	470059	46195	VIC	471466	4624V	TIMKE	4624V	46292	VIC	470950
46140	VIC	470380	46196	VIC	340495	46250	VIC	417316	46292	VIC	6241S
46140SF	VIC	470059	46197	VIC	471270	46250	VIC	455004	46293	VIC	2942
46141	VIC	473234	46198	VIC	471652	46251	VIC	415147	46294	VIC	331301N
46143	VIC	7188S	46199	VIC	474278	46251	VIC	415449	46296	VIC	475004H
4614392	ALLCH	455008	4619EL	SUL	473461	46252	VIC	7537S	46297	VIC	470530
46144	C-R	416156	461V1502	KOEH	416364	46253	VIC	472287	46298	VIC	7934S
46144	SKF	416156	4620	CLIN	340724	46254	VIC	7495S	463	KRSE	417343
46144	VIC	7038SA	46200	C-R	415371	46255	VIC	450400	46300	C-R	370024A
461449	ALLCH	472394	46200	SKF	415371	46256	VIC	8773S	46300	C-R	370025A
46145	VIC	342805	46200	VIC	8139	46257	VIC	473214	46300	C-R	380023A
461456	ALLCH	472394	46200B	TRASR	223830	46257	VIC	7495S	46300	C-R	380025A
46148	VIC	474276	46201	TROS	6358	46258	VIC	7457N	46300	C-R	386025A
46149	VIC	471442	46201	VIC	480630	46260	TROS	472164	46300	SKF	370024A
4614N	TIMKE	4614N	46202	CUSH	471652	46260	VIC	330663	46300	SKF	370025A
46150	VIC	470605	46202	TROS	417355	46260	VIC	472354	46300	SKF	380023A
4615166	ALLCH	470163	46202	TROS	485497	46261	VIC	41257	46300	SKF	380025A
4615166	ALLCH	471766	46202	VIC	352541	46263	VIC	313842	46300	SKF	386025A
4615167	ALLCH	471735	46202S	TROS	417355	4626515	CHRYSS	7412S	46300	VIC	1037
46153	VIC	5072	46202S	TROS	485497	4626590	CHRYSS	7300S	4630121	ALLCH	J1123
46156	VIC	7044NA	46203	TROS	2081	4626696	CHRYSS	473227V	46302	VIC	8139
46157	VIC	411253	46203	VIC	6200	4626696	JEEP	473227V	463024	GMC	472705
46158	VIC	8362	46205	VIC	471195	4626696	MOPAR	473227V	46303	VIC	7607
46159	VIC	5126	46206	VIC	352354	46268	VIC	471554	46304	C-R	370025A
4615V	TIMKE	4615V	46206	VIC	472354	46269	VIC	471633	46304	C-R	380025A
46160	VIC	472164	46208	VIC	5092	4626A	HERCU	470027	46304	C-R	386025A
46162	VIC	7216	46210	VIC	6460S	4626A	HERCU	471554	46304	SKF	370025A
46163	VIC	470605	46211	VIC	417344	46270	VIC	472394	46304	SKF	380025A
461642R91	IH	471808	46211	VIC	455006	46271	VIC	8421S	46304	SKF	386025A
46165	VIC	331107N	46213	VIC	7014S	46272	VIC	473237	46305	C-R	370025A
4616570	ALLCH	415041	46214	VIC	472705	46274	VIC	481181	46305	C-R	380025A
46165S	TROS	6626S	46215	VIC	5113	46274	VIC	481181N	46305	C-R	386025A
46167	TROS	40576S	46217	VIC	415995	46277	VIC	3103	46305	SKF	370025A
4616954	ALLCH	411253	46217	VIC	455013	46278	VIC	471341	46305	SKF	380025A
4616954	ALLCH	450099	46219	VIC	450117	46279	VIC	450365	46305	SKF	386025A
46171	VIC	323138	46219	VIC	472572	46279	VIC	470898	46306	C-R	370025A
46172	VIC	471267	4621939	CHRYSS	710894	46280	VIC	340151	46306	C-R	380025A
46173	VIC	204020	4621939AB	CHRYSS	710894	462805	GMC	710304	46306	C-R	386025A
46173	VIC	204505	4621939AB	MOPAR	710894	46281	VIC	450066	46306	SKF	370025A
46174	VIC	471763	46220	VIC	471138	46281	VIC	473367	46306	SKF	380025A
46175	VIC	311189	46220PH	VIC	471138	462811	GMC	710045	46306	SKF	386025A
46176	VIC	7412S	4622296	SAAB	710613	46282	VIC	352541	46306	VIC	240119
46177	VIC	203006	46230	VIC	472705	46282D	IH	452222	463064	GMC	3543
46179	VIC	40316S	46231	VIC	470712	46283	VIC	471193	46307	VIC	470064
4617919	CHRYSS	710557	4623109	SCOT	240119	46283	VIC	471193N	46307	VIC	471821

INTERCHANGE SECTION

COMPETITIVE INTERCHANGES



Mfr No.	Mfr. National	Mfr No.	Mfr. National	Mfr No.	Mfr. National	Mfr No.	Mfr. National
46308	C-R 370025A	46344	VIC 471554	46395	SKF 7700S	464633	SPICE 471271
46308	C-R 380025A	46346	VIC 471442	46395	VIC 471652	464634	SPICE 481181
46308	C-R 386025A	46347	VIC 350414	46396	C-R 370051A	464634	SPICE 481181N
46308	SKF 370025A	46347	VIC 472311	46396	C-R 370220A	464649	WHITE 6863S
46308	SKF 380025A	46348	VIC 450519	46396	SKF 370051A	46467	VIC 3945
46308	SKF 386025A	46348	VIC 471271	46396	SKF 370220A	46467	VIC 4131
46308	VIC 450472	46349	VIC 471264	46396	VIC 472015	46469	VIC 470380
46308	VIC 7751H	46350	VIC 411376	46397	VIC 9363S	46469	VIC 472189A
4630820	ALLCH 450389	46356	VIC 8429S	46398	VIC 471538	46470	SPICE 710068
4630820	ALLCH 472492	46358	VIC 456837V	46400D	IH 450065	46470	VIC 203006
4630856	ALLCH 413247	46359	VIC 470954	46401D	IH 450260	46471	VIC 483054N
46309	C-R 2505	4635V	TIMKE 4635V	46403	VIC 472082	46476	VIC 2043
46309	SKF 2505	46361	VIC 411500	46404	VIC 8429S	46477	VIC 473228
46309	VIC 482253	46362	VIC 40154S	46408	VIC 5124	46477	VIC 481837
46310	VIC 481181	4636502	CHRYSS 710198	46409	VIC 7934S	46478	VIC 481163
46310	VIC 481181N	46366	VIC 340847	4641	C-R 320457	46481	VIC 455151
46313	VIC 6988H	46368	VIC 473258	4641	SKF 320457	46482	HYST 417181
46314	VIC 472439	46369	VIC 8293S	46410	VIC 472258	46482	VIC 8695S
46316	VIC 473235	46370	VIC 8610	46410	VIC 5872S	46483	VIC 472341
46316	VIC 8516N	46371	VIC 9015S	46411	DANA 4525V	46485	DANA 4857
46317	VIC 7780N	46372	VIC 413248	46411	SPICE 4525V	46485	SPICE 4857
46318	VIC 40494S	46373	VIC 470954	46411	VIC 351487	464851	DANA 4857
46318	VIC 7834	46374	VIC 410825	464111	SPICE 4525V	464851	SPICE 4857
46319	VIC 2291	46374	VIC 475380N	46412	VIC 6863S	46486	VIC 470530
46319	VIC 416011	463748	GMC 415960	4641226	CHRYSS 710432	4648608	CHRYSS 320249
46320	VIC 39302	46375	VIC 8181NA	4641263	CHRYSS 710432	46487	VIC 331301N
46320	VIC 472409	46376	VIC 470954	4641848AA	CHRYSS 710432	46489	VIC 471272N
46321	VIC 51322	46377	VIC 472015	4641848AA	MOPAR 710432	4648B	JN-MN 471705
46322	VIC 8243	4637776	CHRYSS 714655	4641851AA	CHRYSS 710501	464910R91	IH 473317
46323	VIC 471795	46377PM	VIC 472015	4641852AA	CHRYSS 223005	46494	VIC 3210
46324	C-R 415064	46378	VIC 415458	4641982	ALLCH 470163	464967	WHITE 473460
46324	SKF 415064	46378	VIC 455003	4641982	ALLCH 471766	4649B	JN-MN 471801
46324	VIC 473517	46379	VIC 415995	46423	VIC 470543	4649EL	SUL 473179
46325	VIC 330663	46379	VIC 455013	46423	VIC 474272	465194	ELRNG 710190
46325	VIC 472354	46379PM	VIC 415013N	46424	VIC 8974S	4650B	JN-MN 416125
46326	VIC 415004	46379PM	VIC 415995V	464244C1	IH 710008	465155C1	IH 473274N
46326	VIC 417316	46380	VIC 415304	464244C2	IH 710008	4651899	SCOT 343185
46327	SPICE 710430	46380	VIC 476470	464260	WHITE 417316	46540	TROS 410308
46327	VIC 470358	46383	VIC 471413	46431	VIC 471649	4654389	CHRYSS 710884
46327	VIC 473231	46383	VIC 7412S	46431S	TROS 6460S	4654389	JEEP 710884
46327	VIC 710430	46384	VIC 470077	46432	VIC 481163	4654389AB	CHRYSS 710884
46328	VIC 470380	46384	VIC 474281	46433	VIC 9449	4654389AB	JEEP 710884
46328	VIC 9613S	46386	VIC 411253	46434	VIC 9178S	4654389AC	CHRYSS 710884
46328SF	VIC 9613S	46386SE	VIC 411253	46435	VIC 5113	4654389AC	JEEP 710884
4633	SPICE 450301	46388	VIC 415003	46436	VIC 8975S	465483	GMC 710005
4633	SPICE 472397	46388	VIC 415458	46438	VIC 8660S	4654F	GOODM 416666
46330	VIC 472287	4638904	AMC 4370N	46439	VIC 8705S	465511C91	IH 370131A
46331	VIC 473237	4638904	CHRYSS 4370N	46442	VIC 413246N	465511C91	NAVST 380131A
46331	VIC 7486S	4638904	JEEP 4370N	46442	VIC 483246N	465611	WHITE 451583
46334	VIC 323119	4638904	MOPAR 4370N	46447	VIC 471737	46565TA	TRSCM 416156
463358	VOLVO 1172	4638941	CHRYSS 2506	46449	VIC 7214	4656F	GOODM 416666
4633582	VOLVO 1172	4638941	MOPAR 2506	46450	VIC 476838	466042	ELRNG 710608
46336	VIC 340847	4638N	TIMKE 4638N	46452	VIC 8704S	4660478	ALLCH 471689
46337	VIC 340850	46390	C-R 370026A	46453	VIC 8974S	466174R91	IH 341022
46338	VIC 240735	46390	SKF 370026A	46454	VIC 471570	466174R92	IH 341022
46340	TROS 471316	46390	VIC 474276	46456	VIC 8430S	4661872	ALLCH 473474
46340	VIC 6863S	46392	VIC 331227H	46457	VIC 7687S	46626	HYST 473234
463425R91	IH 204017	46393	VIC 411348	46461	VIC 4148	4663622AC	CHRYSS 710814
46343	VIC 471643	46394	VIC 312140	46461	VIC 471424	4663625	CHRYSS 710056
4634303	VMM 224052	46395	C-R 7700S	464633	SPICE 410519	4663618	CHRYSS 710469

INTERCHANGE SECTION

COMPETITIVE INTERCHANGES

Mfr No.	Mfr.	National	Mfr No.	Mfr.	National	Mfr No.	Mfr.	National	Mfr No.	Mfr.	National
4663618	MOPAR	710469	467807	WHITE	5403	46848	VIC	370107A	46936	BOSTN	482208
4663622	CHRYS	710814	467812	WHITE	6635S	46849	VIC	370027A	46937	BOSTN	471652
4663870	CHRYS	710056	46782	VIC	415213N	4684B	JN-MN	471413	46938	BOSTN	471692
4663870AB	CHRYS	710840	46783	VIC	415867	46850	VIC	415958	46939	BOSTN	471692
4663870AC	CHRYS	710840	46784	VIC	416339	46850	VIC	455958	46940	BOSTN	470712
4663870AC	MOPAR	710840	46784	VIC	455031	46851	C-R	415284	46941	BOSTN	470712
46648	DANA	5778V	46785	VIC	415295	46851	SKF	415284	46942	BOSTN	471763
46648	SPICE	5778V	4678B	JN-MN	473445	46876	SPERY	204008	46943	BOSTN	471763
46648	VIC	5778V	46790PM	VIC	416364	46876	VICK	204008	46944	BOSTN	473203
4664872	ALLCH	473474	46794	VIC	415991	468849	WHITE	473245	46945	BOSTN	473203
466588	WHITE	5408	46795	VIC	416364	46886	SPERY	340853	46946	BOSTN	472475
46661TBY	TRSCM	7700S	46795M2	VIC	416364	46886	VICK	340853	46947	BOSTN	472475
46671	HYST	416380	46799	VIC	417247	468961R91	IH	41013S	46948	BOSTN	471765
4667198	CHRYS	320348	467F	OSHKO	411253	46898	BOSTN	471442	46949	BOSTN	471765
4667198	MOPAR	320348	467F	OSHKO	450099	46899	BOSTN	471442	4694B	JN-MN	470219
4667322	CHRYS	710056	46800	C-R	415284	46900	BOSTN	471526	4694B	JN-MN	471649
46676	VIC	415035	46800	SKF	415284	46901	BOSTN	471526	46950	BOSTN	473205
46676	VIC	415953	46800	VIC	370048A	46902	BOSTN	471472	46950	C-R	417536
4667904	CHRYS	5279	46800	VIC	370182A	46903	BOSTN	471472	46950	SKF	417536
4667904	CHRYS	710056	46800	VIC	380048A	46904	BOSTN	471466	46951	BOSTN	473205
466809	WHITE	6270	46801	VIC	417600	46905	BOSTN	471466	46952	BOSTN	471413
466810	WHITE	5401	46802	VIC	2218	46906	BOSTN	471264	46953	BOSTN	471413
46683	HYST	417254	46803	VIC	370018A	46907	BOSTN	471264	46954	BOSTN	471737
466867	WHITE	475380N	46804	VIC	415035	46908	BOSTN	471255	46955	BOSTN	471737
46688	VIC	416888	46804	VIC	415953	46909	BOSTN	471255	46956	BOSTN	471766
46689	VIC	416888	46808	VIC	455948	46910	BOSTN	471564	46957	BOSTN	471766
46690	VIC	416888	46809	VIC	415035	46911	BOSTN	471564	46958	BOSTN	471795
46691	VIC	416888	46810	VIC	415035	46912	BOSTN	470954	46959	BOSTN	471795
46697	HYST	471413	46811	VIC	417357	46912	BOSTN	480954	46960	BOSTN	473210
467860	ELRNG	710550	46811	VIC	455192	46913	BOSTN	470954	46960S	TROS	450185
4670305	ALLCH	450301	46812	VIC	417357	46914	BOSTN	471554	46960S	TROS	473229
4670305	ALLCH	472397	46813	VIC	415991	46915	BOSTN	471554	46961	BOSTN	473210
4674B	JN-MN	450082	46814	VIC	415379	46916	BOSTN	471567	46962	BOSTN	473211
4674B	JN-MN	473238	46815	VIC	415227	46917	BOSTN	471567	46963	BOSTN	473211
4674N	TIMKE	4674N	46817	VIC	416273	46917D	IH	450301	46964	BOSTN	473212
46750	KELSE	203025	46817PM	VIC	416125	46917D	IH	472397	46965	BOSTN	473212
46751	VIC	455583N	46818	VIC	455035N	46918	BOSTN	471643	46966	BOSTN	473213
46752	VIC	415938	46820	VIC	415498	46919	BOSTN	471643	46967	BOSTN	473213
46754	VIC	415725	46829	VIC	3492V	4691B	JN-MN	415025	46968	BOSTN	472258
46755	VIC	6864S	46831	HYST	415350	46920	BOSTN	471267	46969	BOSTN	472258
467574	WHITE	475009N	46839	VIC	415725	46920	C-R	45637S	469694	ACDEL	2081
46758	VIC	327215	4683B	JN-MN	470219	46920	SKF	45637S	469694	GMC	2081
46758	VIC	415035	4683B	JN-MN	471649	46921	BOSTN	471267	46970	BOSTN	471192
46759	VIC	415213N	46841ST	VIC	370065A	46922	BOSTN	471570	46971	BOSTN	471192
46763	VIC	455858	46841ST	VIC	380065A	46923	BOSTN	471570	46972	BOSTN	473214
46765	VIC	476842	46842	VIC	370036A	46924	BOSTN	471646	46973	BOSTN	473214
46767	VIC	415027	46842	VIC	370349A	46925	BOSTN	471646	46974	BOSTN	473215
46767	VIC	415138	46842	VIC	380036A	46926	BOSTN	470590	46975	BOSTN	473215
46768	VIC	416865	46842ST	VIC	370036A	46927	BOSTN	470590	46975D	IH	410102
46769	VIC	456618	46842ST	VIC	370349A	46928	BOSTN	471224	46976	BOSTN	473224
46769M	VIC	370023A	46842ST	VIC	380036A	46929	BOSTN	471224	46976D	IH	473215
46769M	VIC	380023A	46843	VIC	415284	46930	BOSTN	471649	46977	BOSTN	473224
46770	VIC	415351	46844	VIC	455956H	46931	BOSTN	471649	46977D	IH	473447
46773	VIC	39807	46845	VIC	370036A	46932	BOSTN	471689	46978	BOSTN	473016
46774	VIC	415697	46845	VIC	370349A	46933	BOSTN	471689	46978D	IH	415995
46774	VIC	455547	46845	VIC	380036A	46934	BOSTN	471733	46978D	IH	455013
46776	VIC	455035N	46846	VIC	415035	46935	BOSTN	471733	46979	BOSTN	473016
4677B	JN-MN	471466	46846	VIC	415953	46935	C-R	417535	46979D	IH	410694
46780	VIC	416865	46847	VIC	370037A	46935	SKF	417535	4697B	JN-MN	470120
46780	VIC	455070	46847	VIC	370338A	46936	BOSTN	471652	4697B	JN-MN	471224

INTERCHANGE SECTION

COMPETITIVE INTERCHANGES



Mfr No.	Mfr.	National	Mfr No.	Mfr.	National	Mfr No.	Mfr.	National	Mfr No.	Mfr.	National
46980	BOSTN	473225	470055N	TIMKE	470055N	47019	BOSTN	472164	47033	VIC	370036A
46980D	IH	415991	470059	NATL	470380	470195	TIMKE	470195	47033	VIC	370349A
46980D	IH	455146	470059	TIMKE	470059	470199	TIMKE	470199	47033	VIC	380036A
46981	BOSTN	473225	47005S	TROS	340469	47019S	TROS	204013	470331N	TIMKE	470331N
46982	BOSTN	473226	47006	BOSTN	473232	4701N	TIMKE	4701N	470334	NATL	450076
46982D	IH	481864	470062	TIMKE	470062	47020	BOSTN	472185	470334	NATL	50289
46983	BOSTN	473226	470064	TIMKE	470064	47020	VIC	416271	470334	TIMKE	470334
4698302	EIMCO	4354V	470066	TIMKE	470066	470207	TIMKE	470207	470336	TIMKE	470336
4698302	SANDV	4354V	47006S	TROS	340771	47020S	TROS	204017	47033S	TROS	417343
469835R91	IH	7186S	47007	BOSTN	473232	47021	BOSTN	472185	47034	BOSTN	472319
46983D	IH	412119	47007	VIC	323138	47021	TROS	205004	47034	VIC	415295
46983D	IH	450101	470070	NATL	472185	47021	VIC	412861	470347	TIMKE	470347
46984	BOSTN	473227	470074	TIMKE	470074	470211	TIMKE	470211	47034S	TROS	412473
469844C1	IH	370150A	470077	TIMKE	470077	470213R91	IH	450301	47034S	TROS	415894
469845C1	IH	370169A	47008	BOSTN	473233	470213R91	IH	472397	47035	BOSTN	472319
46984D	IH	416921	47008	VIC	472354	470219	TIMKE	470219	470351	TIMKE	470351
46984D	IH	455011	47008	VIC	50395S	47022	BOSTN	472179	470354	TIMKE	470354
46985	BOSTN	473227	470086	TIMKE	470086	47022	VIC	455079	470358	TIMKE	470358
46986	BOSTN	470625	470087	WMG	473313	47023	BOSTN	472179	47035S	TROS	411376
46987	BOSTN	470625	470088	TIMKE	470088	47023	VIC	450412	47036	BOSTN	473241
46988	BOSTN	470380	47009	BOSTN	473233	470230	TIMKE	470230	47036	VIC	415196
46989	BOSTN	470380	470094	NATL	473451	470236	TIMKE	470236	470361	TIMKE	470361
4698B	JN-MN	450082	47010	BOSTN	473234	47024	BOSTN	472439	470361V	TIMKE	470361V
4698B	JN-MN	473238	47010	VIC	5115	47024	VIC	55238	470362	TIMKE	470362
46990	BOSTN	473228	47010S	TROS	45637S	470241	TIMKE	470241	47036S	TROS	415003
46991	BOSTN	473228	47011	BOSTN	473234	470244	TIMKE	470244	47036S	TROS	415458
46992	BOSTN	472213	47011	TROS	204008	470245	TIMKE	470245	47037	BOSTN	473241
46993	BOSTN	472213	470119	TIMKE	470119	47025	BOSTN	472439	47037S	TROS	415146
46994	BOSTN	472299	47012	BOSTN	473235	47025	TROS	205015	47037S	TROS	415991
46995	BOSTN	472299	47012	VIC	470351	47025	VIC	475384	47038	BOSTN	472144
46995	SPICE	710067	47012	VIC	471504	47026	BOSTN	472572	47038	VIC	40169S
469951	SPICE	710067	470120	TIMKE	470120	47026	TROS	204020	470380	NATL	410059
46996	BOSTN	473229	47012S	TROS	203003	47026	TROS	204505	470380	NATL	470059
46997	BOSTN	473229	47013	BOSTN	473235	47026	VIC	455310	470380	NATL	472189A
46997S	TIMKE	46997S	47013	VIC	450472	47027	BOSTN	472572	470380	NATL	9613S
46998	BOSTN	470682	470135	TIMKE	470135	47027	TROS	205035	470380	TIMKE	470380
46999	BOSTN	470682	470138V	TIMKE	470138V	47027	VIC	455144	470380V	TIMKE	470380V
4699B	JN-MN	55419	47013S	TROS	203003	47028	BOSTN	473238	47039	BOSTN	472144
47000	BOSTN	473230	47014	BOSTN	473236	47028	VIC	417350	470390	TIMKE	470390
470004	TIMKE	470004	47014	VIC	450474	47028	VIC	455479	470394	TIMKE	470394
470005	TIMKE	470005	470140N	TIMKE	470140N	47028S	TROS	472144	470398	TIMKE	470398
4700052404	BUSHH	240462	470141	TIMKE	470141	47029	BOSTN	473238	47039S	TROS	410737
47000S	TROS	240009	47014S	TROS	203012	47029	VIC	415088	47040	BOSTN	472394
47001	BOSTN	473230	47015	BOSTN	473236	47029	VIC	455088	47040	VIC	203002
47001S	TROS	203029	47015	VIC	450621	4702994	OPEL	223552	470403	TIMKE	470403
47002	BOSTN	473231	47015S	TROS	203013	47030	BOSTN	473239	470409	TIMKE	470409
47002	VIC	471564	47016	BOSTN	473237	47030	VIC	455500	47040S	TROS	415086N
470027	TIMKE	470027	47016	VIC	471138	470304	NATL	473457	47040S	TROS	417487
47003	BOSTN	473231	470162	TIMKE	470162	470304SSR	NATL	473457	47041	BOSTN	472394
47003	VIC	471529	470163	TIMKE	470163	470308N	NATL	410308	47041	VIC	240009
470034	TIMKE	470034	470165	TIMKE	470165	470308N	TIMKE	470308N	47042	BOSTN	471424
47004	BOSTN	473010	470169	TIMKE	470169	47030S	TROS	210945	47043	BOSTN	471424
47004	VIC	353132	47016S	TROS	203016	47031	BOSTN	473239	47043S	TROS	415984
470041	TIMKE	470041	47017	BOSTN	473237	47031S	TROS	411376	47044	BOSTN	472492
470045	TIMKE	470045	47017	VIC	412920	47032	BOSTN	473240	47044	VIC	471526
470049	TIMKE	470049	47017	VIC	450132	47032	VIC	418029	47045	BOSTN	472492
47005	BOSTN	473010	47017S	TROS	203025	47032	VIC	455499	470451	TIMKE	470451
47005	VIC	470567	47018	BOSTN	472164	470328	TIMKE	470328	47045S	TROS	416404
47005	VIC	471267	470189	TIMKE	470189	47032S	TROS	415449	47046	BOSTN	472924
470050	TIMKE	470050	47018S	TROS	204002	47033	BOSTN	473240	470460	TIMKE	470460

INTERCHANGE SECTION

COMPETITIVE INTERCHANGES

Mfr No.	Mfr.	National	Mfr No.	Mfr.	National	Mfr No.	Mfr.	National	Mfr No.	Mfr.	National
47046S	TROS	415498	470605	TIMKE	470605	470764	TIMKE	470764	47095	BOSTN	413248
47047	BOSTN	472924	470606	TIMKE	470606	47076S	TROS	240733	47095	VIC	417344
47047S	TROS	35949N	47061	BOSTN	473243	47077	BOSTN	412920	470950	NATL	483793
47048	BOSTN	472397	47061	VIC	472185	47077	VIC	417351	470950	TIMKE	470950
47048	VIC	471224	47062	BOSTN	473244	470774	NATL	470403	470954	NATL	350679
470487	TIMKE	470487	470625	NATL	470548	470774	TIMKE	470774	470954	NATL	350954
470487N	NATL	470487	470625	NATL	5115	470774V	TIMKE	470774V	470954	NATL	470954
470487N	TIMKE	470487N	470625	TIMKE	470625	47077S	TROS	240735	470954	NATL	480954
47049	BOSTN	472397	470625V	TIMKE	470625V	47078	BOSTN	470565	470954	NATL	6835S
47049	VIC	471649	47062S	TROS	240319	47078S	TROS	240736	470954	TIMKE	470954
4704B	JN-MN	470954	47063	BOSTN	473244	47079	BOSTN	470565	470954V	TIMKE	470954V
47050	BOSTN	473242	47063S	TROS	240356	47079S	TROS	240816	47096	BOSTN	415483
47050	VIC	450593	47064	BOSTN	472018	47080	BOSTN	413246	47096	VIC	415836
470503	TIMKE	470503	47064	VIC	472924	47080	BOSTN	413246N	47096	VIC	415995
470506	TIMKE	470506	470645	TIMKE	470645	47080	VIC	415304	47096S	TROS	417211
47051	BOSTN	473242	47065	BOSTN	472018	47080	VIC	476470	47097	BOSTN	415483
470515	TIMKE	470515	47065	VIC	450115	470806	TIMKE	470806	470974R91	IH	450301
47051S	TROS	240009	47065	VIC	473467	470808	TIMKE	470808	470974R91	IH	472397
47052	BOSTN	473204	47065S	TROS	6703S	47080S	TROS	240949	47097S	TROS	415437
47052	VIC	471763	47066	BOSTN	472020	47081	BOSTN	413246	47098	BOSTN	415458
47053	BOSTN	473204	47066S	TROS	240414	47081	BOSTN	413246N	47098	VIC	415379
470530	NATL	410085	47067	BOSTN	472020	47082	BOSTN	413247	470987	TIMKE	470987
470530	NATL	450085	47067	VIC	39302	47082	VIC	416556	470989	TIMKE	470989
470530	TIMKE	470530	470672	TIMKE	470672	47082	VIC	472157	47099	BOSTN	415458
47054	BOSTN	470898	47068	BOSTN	473245	47083	BOSTN	413247	47099	BOSTN	475458
47054	VIC	471765	470680	TIMKE	470680	47084	BOSTN	416271	4719898	ROVER	3393
470543	TIMKE	470543	470682	TIMKE	470682	47084	VIC	450040	4710	C-R	221207
470547	TIMKE	470547	470687	TIMKE	470687	47084S	TROS	481443	4710	SKF	221207
470547SSR	NATL	470547	47068S	TROS	240435	47085	BOSTN	416271	47100	BOSTN	417343
470548	TIMKE	470548	47069	BOSTN	473245	47085S	TROS	471076	47101	BOSTN	417343
47054S	TROS	240023	47069	VIC	412920	47086	BOSTN	471271	471015	TIMKE	471015
47055	BOSTN	470898	4707	C-R	221207	47086	VIC	472287	47101S	TROS	331301N
470553	TIMKE	470553	4707	SKF	221207	47087	BOSTN	471271	47102	BOSTN	416664
470553	WMG	471224	47070	BOSTN	471272	47087	SPICE	471419	47103	BOSTN	416664
470557	TIMKE	470557	47070	VIC	412040	47087	SPICE	473367	47104	AMC	473440
47055S	TROS	240119	47070S	TROS	240462	47087	VIC	450066	47104	BOSTN	415984
47056	BOSTN	472015	47071	BOSTN	471272	47087	VIC	471419	47104	VIC	471192
47056	VIC	410163	47071	VIC	415147	47087	VIC	473367	47105	BOSTN	415984
47056	VIC	471766	47071	VIC	415449	47087S	TROS	410085	47105	TROS	471652
470565	TIMKE	470565	470712	TIMKE	470712	47087S	TROS	470530	47106	BOSTN	417316
470567	NATL	471267	470712V	TIMKE	470712V	47088	BOSTN	470605	47107	BOSTN	417316
470567	TIMKE	470567	47071S	TROS	240470	47088	VIC	473010	47107	VIC	410316
470567N	TIMKE	470567N	47072	BOSTN	471138	47089	BOSTN	470605	47107	VIC	472636
47057	BOSTN	472015	47072	VIC	410708	47089S	TIMKE	47089S	471076	TIMKE	471076
47057	VIC	472287	47072S	TROS	6597S	470898	NATL	450365	47108	BOSTN	415960
470574	NATL	413246N	47073	BOSTN	471138	470898	NATL	450867	471084	WMG	472213
470574	NATL	470574N	47073	VIC	415003	470898	TIMKE	470898	47109	BOSTN	415960
470574N	TIMKE	470574N	47073	VIC	415458	4708B	JN-MN	472951	47109	VIC	415836
47057S	TROS	240151	470737	NATL	410737	4708B	JN-MN	474252	47109	VIC	415995
47058	BOSTN	472016	470737	TIMKE	470737	47090	BOSTN	415449	4711	C-R	221207
47058	VIC	473215	470737N	TIMKE	470737N	47091	BOSTN	415449	4711	SKF	221207
47059	BOSTN	472016	47073S	TROS	240698	47092	BOSTN	416273	47110	BOSTN	415303
47059	VIC	473228	47074	BOSTN	472636	47092	VIC	416444	47110	VIC	415304
470590	TIMKE	470590	47074S	TROS	240716	47093	BOSTN	416273	47110	VIC	476470
470596	TIMKE	470596	47075	BOSTN	472636	47093	VIC	415147	471103	NATL	50197S
470596V	TIMKE	470596V	47075	VIC	417316	47093	VIC	415449	471103	TIMKE	471103
47060	BOSTN	473243	47075S	TROS	240731	47094	BOSTN	413248	4711035	WOOL	415991
47060	VIC	473236	47076	BOSTN	412920	470946	TIMKE	470946	4711035	WOOL	455146
470601	TIMKE	470601	47076	VIC	204017	47094S	TROS	415836	471105	TIMKE	471105
470605	NATL	470605	47076	VIC	473117	47094S	TROS	415995	471106	WHITE	416339

INTERCHANGE SECTION

COMPETITIVE INTERCHANGES



Mfr No.	Mfr.	National	Mfr No.	Mfr.	National	Mfr No.	Mfr.	National	Mfr No.	Mfr.	National
471106	WHITE	455031	471264	NATL	450535	47138	BOSTN	418028	47152	BOSTN	415991
471111	BOSTN	415303	471264	TIMKE	471264	47138	VIC	415899N	47152	BOSTN	415991N
471112	BOSTN	417344	471267	NATL	350567	47138	VIC	416624N	471526	TIMKE	471526
471112	VIC	471526	471267	NATL	351267	47138S	TROS	340495	471529	TIMKE	471529
471113	BOSTN	417344	471267	NATL	470567	47139	BOSTN	417352	47152S	TROS	340872
471137	TIMKE	471137	471267	TIMKE	471267	47139	BOSTN	418028	47153	BOSTN	415991
471138	TIMKE	471138	471267V	NATL	471267H	47139	VIC	415437	47153	BOSTN	415991N
47114	BOSTN	417158	471267V	TIMKE	471267V	471391	TIMKE	471391	471530	TIMKE	471530
47114	VIC	471763	471268	WHITE	6635S	47140	BOSTN	417353	471532	TIMKE	471532
471141	NATL	450291	471268N	TIMKE	471268N	471405	TIMKE	471405	471535	NATL	450536
471141	TIMKE	471141	47126S	TROS	471643	471407	TIMKE	471407	471535	TIMKE	471535
47115	BOSTN	417158	47127	BOSTN	416011	47141	BOSTN	417353	471538	NATL	471538
47115	VIC	472179	47127	BOSTN	417621	47141	VIC	417211	471538	NATL	8773S
47116	BOSTN	416921	471270	TIMKE	471270	471413	NATL	7412S	471538	TIMKE	471538
47116	VIC	473460	471271	NATL	410519	471413	TIMKE	471413	471539	NATL	450431
471161	LETN	473460	471271	NATL	450519	471413V	TIMKE	471413V	471539	TIMKE	471539
471169	TIMKE	471169	471271	TIMKE	471271	471419	TIMKE	471419	47154	BOSTN	417196
471169N	TIMKE	471169N	471271V	TIMKE	471271V	47141S	TROS	340724	471549	NATL	471549
47117	BOSTN	416921	471272	NATL	410520	47142	BOSTN	416294	471549	NATL	472467
47117S	TROS	340009S	471272	TIMKE	471272	47142	VIC	471829	471549	TIMKE	471549
47118	BOSTN	417349	471272N	TIMKE	471272N	471424	TIMKE	471424	47154S	TROS	340900
47118	VIC	417316	471276	TIMKE	471276	471424V	TIMKE	471424V	47155	BOSTN	417196
47119	BOSTN	417349	471276V	TIMKE	471276V	47143	BOSTN	416294	471551	TIMKE	471551
47119	VIC	415013	47128	BOSTN	416288	47143	VIC	6312	471553	NATL	450025
47119	VIC	415995	47128	VIC	210945	47144	BOSTN	412473	471553	TIMKE	471553
471192	TIMKE	471192	471281	TIMKE	471281	47144	BOSTN	415894	471554	NATL	470027
471193	TIMKE	471193	471288	NATL	473237	471442	NATL	410119	471554	TIMKE	471554
471193N	TIMKE	471193N	47128S	TROS	340356	471442	TIMKE	471442	471554V	TIMKE	471554V
471195	NATL	471195	47129	BOSTN	416288	471442V	TIMKE	471442V	471558	TIMKE	471558
471195	NATL	481195	47129	VIC	410085	471443	TIMKE	471443	47156	BOSTN	415437
471195	TIMKE	471195	47129	VIC	470530	47145	BOSTN	412473	47156	VIC	9613S
4711B	JN-MN	415072	47129S	TROS	350364	47145	BOSTN	415894	471564	TIMKE	471564
47120	BOSTN	417350	47130	BOSTN	417171	47145S	TROS	340787	471567	TIMKE	471567
47120S	TROS	340120	47130S	TROS	340385	47146	BOSTN	417191	47156S	TROS	340927
47121	BOSTN	417350	47131	BOSTN	417171	47146S	TIMKE	47146S	47157	BOSTN	415437
47121	VIC	6200	471316	TIMKE	471316	471466	NATL	351466	471570	NATL	470680
47121S	TROS	340136	47131S	TROS	351267	471466	TIMKE	471466	471570	NATL	471570
47122	BOSTN	415836	47131S	TROS	471267	471466V	TIMKE	471466V	471570	TIMKE	471570
47122	BOSTN	415995	47132	BOSTN	417172	47146S	TROS	340797	471570V	TIMKE	471570V
47122	VIC	350954	47132	VIC	415449	47147	BOSTN	417191	471571	TIMKE	471571
47122	VIC	470954	47132S	TROS	340400	471472	TIMKE	471472	471571V	TIMKE	471571V
471224	NATL	350909	47133	BOSTN	417172	47147S	TROS	340815	471579	TIMKE	471579
471224	NATL	470120	471337	TIMKE	471337	47148	BOSTN	417354	47157S	TROS	350567
471224	NATL	470553	47133S	TROS	340413	47149	BOSTN	417354	47157S	TROS	471267
471224	TIMKE	471224	47134	BOSTN	476470	47149	VIC	472185	47158	BOSTN	416047
471224V	TIMKE	471224V	471341	NATL	450441	471498	TIMKE	471498	47158	BOSTN	416332
47122S	TROS	350954	471341	TIMKE	471341	47149S	TROS	340817	47158	VIC	470565
47122S	TROS	470954	471341N	TIMKE	471341N	4714B	JN-MN	471750	47159	BOSTN	416047
47123	BOSTN	415836	471344	TIMKE	471344	47150	BOSTN	416624	47159	BOSTN	416332
47123	BOSTN	415995	47135	BOSTN	476470	47150	VIC	410708	47159S	TROS	341022
471231	NATL	471231	471354	TIMKE	471354	471504	NATL	470351	47160	BOSTN	415937
471231	TIMKE	471231	47136	BOSTN	417181	471504	TIMKE	471504	47160	VIC	473234
47123S	TROS	340151	47136	VIC	415379	47150S	TIMKE	47150S	47161	BOSTN	415937
47124	BOSTN	417351	47136	VIC	455379	47150S	TROS	340823	47161	VIC	412871
47125	BOSTN	417351	47136S	TROS	340469	47151	BOSTN	416624	47161	VIC	450329
471255	TIMKE	471255	47137	BOSTN	417181	47151	VIC	415836	471612	TIMKE	471612
471255V	TIMKE	471255V	47137	VIC	412473	47151	VIC	415995	471619	NATL	453165
47126	BOSTN	416011	47137	VIC	415894	471516	NATL	321516	471619	TIMKE	471619
47126	BOSTN	417621	471379	TIMKE	471379	471516	TIMKE	471516	47161S	TROS	345035
47126	VIC	452222	47138	BOSTN	417352	47151S	TROS	340853	47162	BOSTN	417355

INTERCHANGE SECTION

• Non Stock Item - Special Order

COMPETITIVE INTERCHANGES

Mfr No.	Mfr.	National	Mfr No.	Mfr.	National	Mfr No.	Mfr.	National	Mfr No.	Mfr.	National
47162	VIC	471801	471730	TIMKE	471730	471827	TIMKE	471827	471950	TIMKE	471950
47162S	TROS	345146	471733	TIMKE	471733	471829	TIMKE	471829	471952	TIMKE	471952
47163	BOSTN	417355	471735	TIMKE	471735	47183	BOSTN	415035	471958	TIMKE	471958
47163	VIC	473227	471736	TIMKE	471736	47183	BOSTN	415953	47195S	TROS	203006
471633	TIMKE	471633	471737	TIMKE	471737	47183	SPICE	471689	47196	BOSTN	416135
47164	BOSTN	416125	47173S	TROS	350364	47183	VIC	471689	47196	VIC	471424
47164	VIC	415350	47174	BOSTN	417211	471831	TIMKE	471831	47197	BOSTN	416135
471642	TIMKE	471642	471744	TIMKE	471744	471833	TIMKE	471833	47197	VIC	471870
471643	TIMKE	471643	471747	NATL	472674	471835	NATL	450444	47197	VIC	471883
471645	TIMKE	471645	471747	TIMKE	471747	471835	TIMKE	471835	47198	BOSTN	416888
471645V	TIMKE	471645V	47174S	TROS	470543	47184	BOSTN	417356	47198	VIC	450133
471646	NATL	471646	47174S	TROS	474272	47184	VIC	471652	471981	TIMKE	471981
471646	TIMKE	471646	47175	BOSTN	417211	471841	TIMKE	471841	471984	TIMKE	471984
471647	TIMKE	471647	471750	TIMKE	471750	471845N	TIMKE	471845N	47199	BOSTN	416888
471648	TIMKE	471648	471750V	TIMKE	471750V	471847N	TIMKE	471847N	47199	VIC	473475
471649	NATL	470219	47175S	TROS	350567	47185	BOSTN	417356	47199S	TROS	451143
471649	NATL	471649	47175S	TROS	471267	47185	VIC	474255	47200	BOSTN	416153
471649	TIMKE	471649	47176	BOSTN	416345	471854	NATL	2692	47200	VIC	413247
471649V	TIMKE	471649V	471760	TIMKE	471760	471854	TIMKE	471854	47200	VIC	450350
47165	BOSTN	416125	471760V	TIMKE	471760V	47185S	TROS	415082	47201	BOSTN	416153
47165	VIC	417481	471762	NATL	471762	47186	BOSTN	417357	47201	VIC	471887
471650	WMG	481650	471762	TIMKE	471762	471862	TIMKE	471862	472012	TIMKE	472012
471651	TIMKE	471651	471763	TIMKE	471763	471866	NATL	471281	472015	TIMKE	472015
471652	NATL	482208	471763V	TIMKE	471763V	471866	TIMKE	471866	472016	NATL	410312N
471652	TIMKE	471652	471764	NATL	450161	471868	TIMKE	471868	472016	TIMKE	472016
471652V	NATL	471652V	471764	TIMKE	471764	471869	NATL	3173	472018	TIMKE	472018
471652V	TIMKE	471652V	471765	TIMKE	471765	471869	NATL	710928	47202	BOSTN	416892
471653	TIMKE	471653	471766	NATL	410163	471869	TIMKE	471869	47202	VIC	415082
47166	BOSTN	416041	471766	NATL	470163	47186S	TROS	417350	472020	TIMKE	472020
47166S	TROS	471413	471766	TIMKE	471766	47186S	TROS	455479	472027AA	CHRY	710812
47167	BOSTN	416041	471766V	TIMKE	471766V	47187	BOSTN	417357	472029	TIMKE	472029
47167	VIC	415449	47176S	TROS	350823	47187	VIC	471413	47203	BOSTN	416892
47168	BOSTN	415379	47176S	TROS	473454	47187	VIC	7412S	47204	BOSTN	415138
471684	NATL	471698	47177	BOSTN	416345	471870	NATL	471883	47204	VIC	100495
471684	TIMKE	471684	47178	BOSTN	415697	471870	TIMKE	471870	47204	VIC	415281N
471686	TIMKE	471686	47178S	TIMKE	47178S	47188	BOSTN	416130	472041	TIMKE	472041
471688	TIMKE	471688	471787	TIMKE	471787	47188	VIC	471818	47205	BOSTN	415138
471689	NATL	471689	47178S	TROS	473424	471883	TIMKE	471883	47205	VIC	416404
471689	TIMKE	471689	47179	BOSTN	415697	471887	TIMKE	471887	47206	BOSTN	417247
471689V	TIMKE	471689V	47179	VIC	481537	47189	BOSTN	416130	47206	VIC	473215
47168S	TROS	471443	47179S	TIMKE	47179S	47189	VIC	473423	47207	BOSTN	417247
47168S	TROS	481443	47179S	TIMKE	47179S	47190	BOSTN	416556	472070	TIMKE	472070
47169	BOSTN	415379	47179S	TROS	350909	47190	BOSTN	472157	47208	BOSTN	415725
471692	NATL	470189	47179S	TROS	471224	47190	VIC	472179	47208	VIC	476470
471692	TIMKE	471692	47180	BOSTN	417366	471904	TIMKE	471904	472082	TIMKE	472082
471698	TIMKE	471698	47180	VIC	471554	47190S	TROS	327303	472082S	WMG	472082
47169S	TROS	471646	471801	TIMKE	471801	47191	BOSTN	416556	47209	BOSTN	415725
47170	BOSTN	417205	471808	TIMKE	471808	47191	BOSTN	472157	47209	VIC	412473
47170	VIC	410183N	47181	BOSTN	417366	47191	VIC	471984	47209	VIC	415894
471705	TIMKE	471705	47181	VIC	470645	471915	TIMKE	471915	47210	C-R	710084
471707	TIMKE	471707	471818	TIMKE	471818	47191S	TROS	365008	47210	C-R	717004
471707N	TIMKE	471707N	47181S	TROS	350974	47192	BOSTN	415196	47210	SKF	710084
47170S	TROS	471689	47182	BOSTN	415035	47192	TROS	455197N	47210	SKF	717004
47171	BOSTN	417205	47182	BOSTN	415953	47192	VIC	472185	47210	VIC	200640
47171	VIC	413469	47182	VIC	471270	47193	BOSTN	415196	47211	VIC	470351
47171S	TROS	481163	471820	TIMKE	471820	47193	VIC	203034	47211	VIC	471504
47172	BOSTN	416339	471821	NATL	470064	47194	BOSTN	416891	47212	VIC	472164
471729	TIMKE	471729	471821	NATL	471821	47194	VIC	472319	472138	TIMKE	472138
47172S	TROS	471538	471821	TIMKE	471821	47195	BOSTN	416891	472144	TIMKE	472144
47173	BOSTN	416339	471827	NATL	8160S	47195	VIC	471391	47215	VIC	473235

INTERCHANGE SECTION

COMPETITIVE INTERCHANGES



Mfr No.	Mfr.	National	Mfr No.	Mfr.	National	Mfr No.	Mfr.	National	Mfr No.	Mfr.	National
472150	TIMKE	472150	472354	NATL	50395S	472642V	TIMKE	472642V	473016	TIMKE	473016
472156	ADAMS	415988	472354	TIMKE	472354	472644	TIMKE	472644	47304	VIC	351267
472156	LETN	415988	47236	VIC	6954S	472644V	TIMKE	472644V	47304	VIC	471267
472157	NATL	416556	47238	VIC	417082	472649	TIMKE	472649	47305	VIC	6835S
472157	NATL	455195	47239	VIC	470189	47265	VIC	40316S	473096	NATL	350156
472157	TIMKE	472157	47239	VIC	471692	472651V	TIMKE	472651V	473096	TIMKE	473096
472164	NATL	450352	472394	TIMKE	472394	472653	TIMKE	472653	473099	NATL	253099
472164	NATL	450494	472397	NATL	450301	472655	TIMKE	472655	47311	VIC	471526
472164	TIMKE	472164	472397	TIMKE	472397	472658	TIMKE	472658	473117	TIMKE	473117
472164V	NATL	482164N	47240	VIC	480630	472660	TIMKE	472660	47312	VIC	7013S
472164V	TIMKE	472164V	472409	NATL	450121	47267	VIC	455556	473129	ADAMS	410190
47217	VIC	450066	472409	TIMKE	472409	472674	TIMKE	472674	473135V	TIMKE	473135V
47217	VIC	473367	472419	TIMKE	472419	472681	TIMKE	472681	473144B000	HYUND	710403
472179	NATL	450183	472432	TIMKE	472432	47269	VIC	45013S	473144B000	KIA	710403
472179	TIMKE	472179	472439	TIMKE	472439	47270	VIC	415442	473144B000A	HYUND	710659
472185	NATL	450070	472439V	TIMKE	472439V	472705	TIMKE	472705	473144B000A	KIA	710659
472185	TIMKE	472185	47244	VIC	205004	472747	TIMKE	472747	473157	TIMKE	473157
472189A	NATL	9613S	472446	TIMKE	472446	47276	VIC	470774	47316	VIC	6590S
472189A	TIMKE	472189A	47245	C-R	370220A	47278	VIC	1049	47317	VIC	471854
47219	VIC	415857	47245	SKF	370220A	47279	VIC	204013	473179	NATL	6712NA
472193	NATL	450361	472452	TIMKE	472452	47280	VIC	451078	473179	TIMKE	473179
472193	NATL	470361	472466	TIMKE	472466	47280C1	VIC	451078	47318	VIC	455566
472193	TIMKE	472193	472467	TIMKE	472467	47281	VIC	471413	47319	VIC	203008
47220	TROS	9568	472475	TIMKE	472475	472810	TIMKE	472810	47319	VIC	473317
47220	VIC	473474	47248	VIC	450431	47282	VIC	8059S	473197	NATL	450452
47221	VIC	417484N	47248	VIC	471539	472826	TIMKE	472826	473197	NATL	472658
47221	VIC	475322N	47249	BE-	710498	47283	VIC	471413	473197	TIMKE	473197
472213	TIMKE	472213	47249	VIC	240470	47284	VIC	7013S	473203	TIMKE	473203
472221R91	IH	200887	472492	NATL	450389	472841	ADAMS	470712	473204	TIMKE	473204
472222	TIMKE	472222	472492	TIMKE	472492	472843	ADAMS	450183	473205	TIMKE	473205
472234	TIMKE	472234	4724B	JN-MN	415995	472843	ADAMS	472179	47321	VIC	471193N
472238	TIMKE	472238	4724B	JN-MN	455013	472843	TIMKE	472843	473210	TIMKE	473210
472239	TIMKE	472239	472501	GMC	5699	47285	VIC	471413	473211	TIMKE	473211
47224	VIC	416271	47251	VIC	471076	472856	TIMKE	472856	473212	TIMKE	473212
472258	NATL	472258	47252	VIC	471747	47287	VIC	471538	473213	TIMKE	473213
472258	NATL	480570	47252	VIC	472674	472878	TIMKE	472878	473214	NATL	470169
472258	NATL	5872S	47253	VIC	471192	47288	VIC	7013S	473214	TIMKE	473214
472258	TIMKE	472258	472535	TIMKE	472535	47289	VIC	451078	473215	NATL	3116N
472258V	TIMKE	472258V	472536	TIMKE	472536	4728B	JN-MN	471570	473215	NATL	9568
472287	TIMKE	472287	472538	TIMKE	472538	47290	VIC	350414	473215	TIMKE	473215
47229	VIC	455583N	472539	TIMKE	472539	47290	VIC	472311	47322	VIC	7886S
472299	TIMKE	472299	47255	VIC	473016	47291	VIC	480821	473224	TIMKE	473224
472299V	TIMKE	472299V	472554	TIMKE	472554	472924	NATL	450083	473225	TIMKE	473225
47230	VIC	410085	47256	VIC	240319	472924	TIMKE	472924	473226	TIMKE	473226
47230	VIC	470530	472560N	NATL	352560	47293	VIC	472492	473227	NATL	350394
47231	VIC	415147	472560N	NATL	50151S	47294	VIC	471413	473227	TIMKE	473227
47231	VIC	415449	472560N	TIMKE	472560N	472950	TIMKE	472950	473227V	TIMKE	473227V
472311	NATL	350414	47257	VIC	470625	472951	TIMKE	472951	473228	NATL	450067
472311	TIMKE	472311	472572	NATL	450117	472953	TIMKE	472953	473228	NATL	481837
472311V	TIMKE	472311V	472572	TIMKE	472572	472954	TIMKE	472954	473228	NATL	51098
472319	TIMKE	472319	47258	VIC	473228	472954V	TIMKE	472954V	473228	TIMKE	473228
47232	VIC	44052	47259	VIC	340927	47297	VIC	480210	473229	NATL	450185
472324	TIMKE	472324	47260	VIC	6283S	47298	VIC	7399S	473229	TIMKE	473229
472324E	NATL	472324	47261	VIC	40154S	47299	VIC	415098N	473230	TIMKE	473230
472324V	TIMKE	472324V	47263	VIC	6163S	472HH100	SPICE	100495	473231	NATL	470358
47233	VIC	473241	472635	TIMKE	472635	472HH101	DANA	710457	473231	TIMKE	473231
472341	TIMKE	472341	472636	NATL	410316	473010	NATL	450194	473232	NATL	450069
472350	TIMKE	472350	472636	NATL	450316	473010	TIMKE	473010	473232	TIMKE	473232
472354	NATL	330663	472636	TIMKE	472636	473010N	TIMKE	473010N	473233	TIMKE	473233
472354	NATL	352354	472642	TIMKE	472642	473010V	TIMKE	473010V	473234	NATL	450154

INTERCHANGE SECTION

COMPETITIVE INTERCHANGES

Mfr No.	Mfr.	National	Mfr No.	Mfr.	National	Mfr No.	Mfr.	National	Mfr No.	Mfr.	National
473234	TIMKE	473234	473413	TIMKE	473413	473461	TIMKE	473461	47367S	TROS	471224
473235	NATL	8516N	473414	TIMKE	473414	473462	NATL	450094	47368S	TROS	471689
473235	TIMKE	473235	473415	TIMKE	473415	473462	NATL	473462	473694	TIMKE	473694
473236	TIMKE	473236	473416	TIMKE	473416	473462	TIMKE	473462	47369S	TROS	472164
473237	NATL	7486S	473419	NATL	450043	473463	TIMKE	473463	47370	VIC	7781S
473237	TIMKE	473237	473419	TIMKE	473419	473464	NATL	450095	47371	VIC	450188
473237V	TIMKE	473237V	47342	VIC	417480	473464	NATL	473464	47372S	TROS	415086N
473238	NATL	450082	47342	VIC	455860	473464	TIMKE	473464	47372S	TROS	417487
473238	NATL	473238	473420	TIMKE	473420	473466	TIMKE	473466	47373	VIC	473446
473238	TIMKE	473238	473421	TIMKE	473421	473467	NATL	450115	47374	VIC	471827
473238V	TIMKE	473238V	473422	TIMKE	473422	473467	NATL	8650S	47374	VIC	8160S
473239	NATL	450298	473423	TIMKE	473423	473467	TIMKE	473467	47375	VIC	413469
473239	TIMKE	473239	473424	GMC	5092	473468	TIMKE	473468	47376	VIC	203025
47324	VIC	473442	473424	NATL	353137	47347	VIC	9376	47377	VIC	203029
473240	TIMKE	473240	473424	TIMKE	473424	473471	GMC	5072	47378S	TROS	332062
473241	TIMKE	473241	473425	TIMKE	473425	473471	TIMKE	473471	47379	C-R	714750
473242	TIMKE	473242	473426	TIMKE	473426	473473	TIMKE	473473	47379	SKF	714750
473243	TIMKE	473243	473427	TIMKE	473427	473474	TIMKE	473474	473796	TIMKE	473796
473244	NATL	450489	473428	TIMKE	473428	473475	TIMKE	473475	47380	VIC	471707
473244	TIMKE	473244	473435	TIMKE	473435	473476	TIMKE	473476	47380	VIC	471707N
473245	TIMKE	473245	473436	TIMKE	473436	47348	HYST	416888	47381	VIC	9613S
473258	TIMKE	473258	473437	TIMKE	473437	47348	HYST	455200	473812	TIMKE	473812
473259	NATL	472681	473438	TIMKE	473438	47348	VIC	474260	473814	TIMKE	473814
473259	TIMKE	473259	473439	TIMKE	473439	47349	VIC	6832S	47381S	TROS	6835S
47326	VIC	42260S	47344	VIC	473228	473490	TIMKE	473490	47382	C-R	415138
473260	STUDE	6840S	473440	NATL	450461	47350	VIC	203016	47382	SKF	415138
47327	VIC	7929S	473440	NATL	473228	4735039000	HYUND	224252	47382	VIC	332062
473274	TIMKE	473274	473440	TIMKE	473440	4735039000	KIA	224252	473823	TIMKE	473823
473274N	TIMKE	473274N	473441	TIMKE	473441	4735039010	HYUND	224252	47383	C-R	415138
47329	VIC	7937N	473442	NATL	5778	4735039010	KIA	224252	47383	SKF	415138
47330	VIC	470506	473442	TIMKE	473442	47351	VIC	203013	47383	TROS	350414
47331	VIC	35949N	473443	TIMKE	473443	4735139010	HYUND	710790	47383	TROS	472311
47331H1000	HYUND	710682	473444	NATL	450078	4735139010	KIA	710790	47383	VIC	473228
47331H1000	KIA	710682	473444	TIMKE	473444	473517	TIMKE	473517	47383	VIC	51098
473313	TIMKE	473313	473444V	TIMKE	473444V	47352	VIC	204008	47384	VIC	8597S
473317	TIMKE	473317	473445	TIMKE	473445	4735239000	HYUND	710681	47385	VIC	6960
47333	VIC	55337	473446	TIMKE	473446	4735239000	KIA	710681	47385S	TROS	415983N
473336	TIMKE	473336	473447	TIMKE	473447	4735239010	HYUND	710681	47386S	TROS	441130
47335	VIC	473448	473448	TIMKE	473448	4735239010	KIA	710681	47388	C-R	39952
47336	VIC	204035	473449	NATL	450118	47353	VIC	450400	47388	SKF	39952
4733649500	HYUND	710403	473449	TIMKE	473449	47354	VIC	416071	47388	VIC	8460N
4733649500	KIA	710403	47345	VIC	474278	473546	TIMKE	473546	47388S	TROS	410183N
4733649600	HYUND	710403	473450	NATL	473450	47355	VIC	450593	47389	VIC	8477S
4733649600	KIA	710403	473450	TIMKE	473450	473551	TIMKE	473551	4738N	TIMKE	4738N
473367	NATL	450066	473450V	TIMKE	473450V	47356	VIC	330699	4739	TIMKE	4739
473367	NATL	471419	473451	NATL	473451	47356	VIC	340771	47390	VIC	473445
473367	TIMKE	473367	473451	TIMKE	473451	473560N	TIMKE	473560N	47390	VIC	480479H
473367V	TIMKE	473367V	473452	TIMKE	473452	473573	TIMKE	473573	47394	C-R	415138
47337	VIC	340900	473453	TIMKE	473453	47361	VIC	7692S	47394	SKF	415138
4733749500	HYUND	710682	473454	NATL	350823	47362	VIC	7300S	47394	VIC	470954
4733749500	KIA	710682	473454	NATL	472041	47362S	TROS	203006	47394	VIC	480954
47338	VIC	471271	473454	TIMKE	473454	47364	VIC	484054	47395	C-R	415138
473380	TIMKE	473380	473455	TIMKE	473455	47364S	TROS	204035	47395	SKF	415138
47339	VIC	450118	473457	TIMKE	473457	47365	VIC	450067	47395	VIC	8594S
47340	VIC	442380	473458	TIMKE	473458	47365	VIC	473228	47396	VIC	6712NA
473405	TIMKE	473405	473459	NATL	471869	47365S	TROS	415725	47398	VIC	472082
473406	TIMKE	473406	473459	TIMKE	473459	47366	VIC	8121S	47399	VIC	8792S
473407	TIMKE	473407	47346	VIC	331228H	47366S	TROS	471554	4740	TIMKE	4740
47341	VIC	8976S	473460	NATL	473460	47367	VIC	8133S	47400	VIC	6808N
473412	TIMKE	473412	473460	TIMKE	473460	473677	TIMKE	473677	474018R91	IH	204038

INTERCHANGE SECTION

COMPETITIVE INTERCHANGES



Mfr No.	Mfr.	National	Mfr No.	Mfr.	National	Mfr No.	Mfr.	National	Mfr No.	Mfr.	National
47403	VIC	417267	47427	VIC	200371	47470	VIC	5109	475001	TIMKE	415001
47404	VIC	471169	474272	NATL	470543	47471	VIC	5123	475003	NATL	415458
47405	VIC	411330	474272	TIMKE	474272	47473	VIC	5109	475003	NATL	475458
47405	VIC	411330N	474273	TIMKE	474273	47474	C-R	417247	475003N	TIMKE	475003N
474051	WHITE	46997S	474274	NATL	473443	47474	SKF	417247	475004H	TIMKE	475004H
47405HA	IH	415449	474274	TIMKE	474274	47475	C-R	417247	475009N	TIMKE	475009N
47405HA	IH	455147	474276	TIMKE	474276	47475	SKF	417247	47501	VIC	9339S
47406	VIC	470687	474277	NATL	474277	474757	ADAMS	415984	475012N	TIMKE	475012N
47407	VIC	5666	474277	TIMKE	474277	474757	LETN	415984	475016	WHITE	416476
474094R91	IH	7781S	474278	NATL	480356	47476	VIC	4250	475016	WHITE	455075
474099	WHITE	415085	474278	NATL	6859S	47477	VIC	8871	47502	VIC	416273
474099	WHITE	456648	474278	TIMKE	474278	474770	ADAMS	456105	47503	VIC	9316
4741	TIMKE	4741	47428	VIC	200763	474770	LETN	456105	47504	VIC	486857
47410	VIC	416271	474281	NATL	470077	474772	ADAMS	473460	47505	VIC	9943
474107	WHITE	5408	474281	TIMKE	474281	474772	LETN	473460	47506	VIC	200763
4741118	CHRYSLER	4532N	474288	TIMKE	474288	474773	BENDI	240319	47507	DANA	9864S
4741118	MOPAR	4532N	47430	VIC	42101S	474774	ADAMS	471647	47507	SPICE	9864S
4741119	CHRYSLER	7300S	47431	VIC	412119	474774	LETN	471647	47507	VIC	200870
4741296	CHRYSLER	4529N	47432	VIC	410312N	47477BV	VIC	8871	475080N	TIMKE	475080N
4741296	MOPAR	4529N	47433	VIC	472492	47478	VIC	2689S	47509	VIC	200855
47413	VIC	9569S	47435	VIC	9161	474784	ADAMS	471689	475095N	TIMKE	475095N
474131	TIMKE	474131	47436	ALLCH	476470	474784	LETN	471689	47511	VIC	200895
474133	TIMKE	474133	47436	VIC	9049N	474784	WABCO	471689	47512	VIC	416956
474134	TIMKE	474134	47438	VIC	473443	47479	HYST	417357	47513	VIC	471750
47415	VIC	8835S	47441	C-R	417538	47479	VIC	712146	475151	VIC	5397
47415SF	VIC	8835S	47441	SKF	417538	474795	BENDI	240356	47516	VIC	2443
47416	VIC	472466	474411	BENDI	350954	474798	ADAMS	416158	47517	VIC	473467
47417	VIC	8429S	474411	BENDI	470954	474798	LETN	416158	47517	VIC	8650S
474176	BENDI	340151	47442	VIC	6808N	474824	ADAMS	415483	47518	VIC	473560N
47418	VIC	8940S	47444	VIC	480844	474824	ADAMS	455368	47519	VIC	5131
47419	VIC	6815	47445	VIC	441319	474824	LETN	415483	47521	VIC	477069
4741908	CHRYSLER	713103	47449	VIC	3604	474824	LETN	455368	47521	VIC	712598
4741920	CHRYSLER	710771	47450	VIC	8660S	474824	WABCO	415483	47522	VIC	2043
47420	VIC	8975S	47451	VIC	8935S	47483	VIC	470625	47523	VIC	5121
47421	VIC	8976S	47452	VIC	472394	47483	VIC	5115	475234N	TIMKE	475234N
474216	TIMKE	474216	47454	VIC	200855	47484	VIC	472747	47524	VIC	2955
47423	VIC	9150S	47455	C-R	200642	47485	VIC	8521S	47525	VIC	3087
474230	TIMKE	474230	47455	SKF	200642	47489	VIC	417158	47526	VIC	2222
474241V	TIMKE	474241V	47455	VIC	200110	4748N	TIMKE	4748N	47527	VIC	3214
47425	VIC	204017	47456	VIC	6575S	47490	VIC	482267	47528	VIC	4148
47425	VIC	205017	47457	VIC	9569S	47491	VIC	415458	47529	VIC	3195
474250	TIMKE	474250	47458	VIC	9161	47491	VIC	475003N	4752960AA	CHRYSLER	224660
474252	NATL	472951	47460	VIC	712146	47491	VIC	475458	4752960AA	JEEP	224660
474252	TIMKE	474252	47461	VIC	8660S	47492	VIC	9316	47530	VIC	2286
474253	NATL	450030	47462	VIC	6712NA	47494	HYST	415294	475316	CABOT	415437
474253	NATL	474253	4746258	CHRYSLER	4333N	47494	HYST	455294	475316	CABOT	455173
474253	TIMKE	474253	4746258	MOPAR	4333N	47494	SPICE	370033A	47532	VIC	3732S
474254	NATL	470347	47464	VIC	470380V	47494	VIC	370033A	475322N	TIMKE	475322N
474254	TIMKE	474254	47466	VIC	9912	47495	VIC	370023A	475324	GMC	415379
474255	TIMKE	474255	47467	VIC	8516N	47495	VIC	380023A	475324	GMC	455379
474256	NATL	472432	4746772	AMC	5778	47496	VIC	6808N	47534	VIC	3667
474256	TIMKE	474256	4746772	AMC	5778V	47497	VIC	40316S	47534	VIC	473546
474260	NATL	474260	4746772	CHRYSLER	5778	47498	VIC	410059	475368N	TIMKE	475368N
474260	TIMKE	474260	4746772	CHRYSLER	5778V	47498	VIC	470380	47537	ALLCH	473205
474261	TIMKE	474261	4746772	JEEP	5778	47499	HYST	416706	47537	VIC	714470
474264	NATL	470062	4746772	JEEP	5778V	47499	HYST	455272	47538	VIC	8429S
474264	TIMKE	474264	4746772	MOPAR	5778	47499	VIC	471652	475380N	TIMKE	475380N
474265	NATL	470074	4746772	MOPAR	5778V	47499	VIC	482208	475384	TIMKE	475384
474265	TIMKE	474265	474679	GMC	3667	47500	VIC	2674	47539	VIC	40389S
474269	TIMKE	474269	4746B	JN-MN	417551	47500	VIC	370054A	47539	VIC	472492

INTERCHANGE SECTION

COMPETITIVE INTERCHANGES

Mfr No.	Mfr.	National	Mfr No.	Mfr.	National	Mfr No.	Mfr.	National	Mfr No.	Mfr.	National
4753B	JN-MN	415047	47604	VIC	1948	47648	VIC	451143	47690	SKF	380003A
47540	VIC	415389N	47606	VIC	224820	4764B	JN-MN	473245	47690	VIC	474133
475423C91	IH	711552	47606TA	TRSCM	415213N	4765	TIMKE	4765	47691	C-R	370003A
47543	VIC	2291	47606TA	TRSCM	417247	476500N	TIMKE	476500N	47691	C-R	380003A
47544	VIC	482163	47607	VIC	473812	476512	TIMKE	476512	47691	SKF	370003A
47544	VIC	482163N	47608	VIC	370003A	476514	TIMKE	476514	47691	SKF	380003A
47545	VIC	43290S	47608	VIC	380003A	476517	TIMKE	476517	47691	VIC	40169S
475458	TIMKE	475458	47609	VIC	473179	476518	TIMKE	476518	47692	C-R	370003A
475458	WMG	415458	4760B	JN-MN	417343	476535	TIMKE	476535	47692	C-R	380003A
47546	VIC	3794	47610	VIC	471271	47655	VIC	1994	47692	SKF	370003A
47547	VIC	710068	47611	VIC	410519	47656	VIC	1992	47692	SKF	380003A
47549	VIC	416273	47611	VIC	471271	47657	VIC	473823	47692	VIC	50266
47550	VIC	8610	4761107	CHRY	3459	476574N	TIMKE	476574N	47693	C-R	370003A
475500	TIMKE	475500	4761107	MOPAR	3459	47658	VIC	1994	47693	C-R	380003A
47553	VIC	3357	47612	VIC	473243	47659	VIC	1992	47693	SKF	370003A
47556	VIC	442874	47613	VIC	470380	4765B	JN-MN	473445	47693	SKF	380003A
47557	VIC	9487	47614	VIC	411253	47660	C-R	6663S	47693	VIC	487945
47558	VIC	413248	47616	VIC	471413	47660	SKF	6663S	47694	C-R	370003A
47559	VIC	473313	47618	VIC	473010	47662	VIC	442251	47694	C-R	380003A
4755B	JN-MN	417546	4761B	JN-MN	50266	47663	VIC	8165	47694	SKF	370003A
47562	VIC	2443	4762017	CHRY	39803	47664	VIC	473274	47694	SKF	380003A
475621	WHITE	456618	47621	VIC	226018	47664	VIC	473274N	47694	VIC	200851
47566	VIC	2658V	47623	VIC	710045	47664	WITTE	470548	47695	C-R	370003A
47567	VIC	417158	47624	VIC	8622	47664	WITTE	470625	47695	C-R	380003A
47570	VIC	2655	4762418	CHRY	3459	47665	VIC	417352	47695	SKF	370003A
47572	VIC	3945	47625	VIC	251511	47665	VIC	418028	47695	SKF	380003A
47574	VIC	1196	47626	VIC	5699	47666	VIC	100495	47695	VIC	417488
47575	VIC	471847N	47628	VIC	3543	47666	VIC	476023N	47696	C-R	370003A
47575TA	TRSCM	415138	476281	TIMKE	476281	47667	VIC	100494	47696	C-R	380003A
47576	VIC	1955	476282	TRANG	416282	47667	VIC	416470N	47696	SKF	370003A
47577	VIC	223240	476283N	TIMKE	476283N	47668	VIC	3136N	47696	SKF	380003A
47578	VIC	480479H	4762899	CHRY	3946	47669	DANA	473457	47696	VIC	450361
47581	VIC	416292	4762899	JEEP	3946	47669	VIC	473457	47696	VIC	470361
47582	VIC	472572	4762899	MOPAR	3946	47670	VIC	1953	47696	VIC	472193
47583	C-R	415066	4762N	TIMKE	4762N	47671	VIC	3395	47697	C-R	370003A
47583	SKF	415066	47630	VIC	722109	47673	VIC	3214	47697	C-R	380003A
47583	VIC	3946	47631	VIC	722108	47677	VIC	221720	47697	SKF	370003A
47584	VIC	7186S	47632	VIC	2300	47679	VIC	3618	47697	SKF	380003A
475845	TIMKE	475845	47633	VIC	6808N	476793	GMC	3732S	47697	VIC	252277
47585	VIC	475080N	47634	VIC	370004A	47680	VIC	3604	47698	C-R	370003A
47585TA	TRSCM	417538	47636	VIC	476574N	47681	VIC	712937	47698	C-R	370006A
47587	VIC	204027	47637	VIC	415483	476820	TIMKE	476820	47698	C-R	380003A
47589	VIC	712625	47637	VIC	455368	47683	VIC	1990	47698	SKF	370003A
4758B	JN-MN	470954	47638	VIC	470898	476838	NATL	470045	47698	SKF	370006A
47590	VIC	2503N	47639	VIC	471341	476838	NATL	476838	47698	SKF	380003A
47593	VIC	204500	4763B	JN-MN	450154	476838	TIMKE	476838	47698	VIC	710044
47594	VIC	472164	4763B	JN-MN	473234	47684	VIC	710051	47699	C-R	370005A
47595	VIC	452742	4763S	TIMKE	4763S	476842	TIMKE	476842	47699	C-R	370006A
47596	VIC	370132A	4764	TIMKE	4764	47685	VIC	473442	47699	SKF	370005A
475960	NATL	415960	47640	VIC	470682	47686	VIC	471870	47699	SKF	370006A
47597	VIC	456744N	47641	VIC	3385	47686	VIC	471883	47699	VIC	223012
47598	VIC	412119	47642	VIC	3199	47687	VIC	472635	477405641	PORSC	1012N
47599	VIC	415995V	476424N	TIMKE	476424N	47688	VIC	450307	477405641	VW	1012N
47599	VIC	455995N	47645	VIC	9845	47690	C-R	370003A	477405641AM	PORSC	1012N
475995V	NATL	415995V	47646	VIC	413470	47690	C-R	370005A	477405641AM	VW	1012N
475W625	CONE	5527	47647	SPICE	415082N	47690	C-R	370181A	47700	VIC	221710
47600	VIC	415483	47647	VIC	415082N	47690	C-R	380003A	4770095	SAAB	710237
47602	VIC	415988	476470	NATL	415304	47690	SKF	370003A	47701	VIC	2011
476023N	TIMKE	476023N	476470	NATL	455018	47690	SKF	370005A	47702	VIC	3591
47603	VIC	4950	476470	TIMKE	476470	47690	SKF	370181A	4770251	SAAB	714436

INTERCHANGE SECTION

COMPETITIVE INTERCHANGES



Mfr No.	Mfr. National	Mfr No.	Mfr. National	Mfr No.	Mfr. National	Mfr No.	Mfr. National
47703	VIC 370003A	47767	VIC 710154	47852	VIC 9128S	47900	VIC 473677
47703	VIC 380003A	47768	VIC 45031S	478522R91	IH 470189	47904	VIC 3896
47703D	IH 471765	47769	VIC 415991	478522R91	IH 471692	47905	DANA 415035
47704	VIC 8609	47769	VIC 415991N	47853	VIC 415983	47905	DANA 455035
47705	VIC 7568	4776B	JN-MN 417605	47853	VIC 415983N	47905	VIC 710022
477055	TIMKE 477055	4777086	CHRY5 320249	47854	VIC 9773	479061	WHITE 417506
47706	VIC 417159	4777086	MOPAR 320249	47854SF	VIC 9773	47909	VIC 341022
477069	TIMKE 477069	47772	VIC 417554	47855	VIC 9344S	4790B	JN-MN 416865
47707	VIC 3677	47773	VIC 342517	47856	VIC 417499	47912	VIC 473476
47707	VIC 41257	4777311	CHRY5 5279	47857	VIC 416043	47913	VIC 455956H
47708	VIC 221720	47774	VIC 8660S	4785B	JN-MN 416654	47914	VIC 222820
47709	VIC 494122	47775	VIC 3622	4785B	JN-MN 455012	47916	VIC 3747
47710	VIC 222540	47776	VIC 710067	47860	DANA 710454	47917	VIC 224045
47711	VIC 710222	47777	VIC 5487	47860	SPICE 710454	47918	VIC 3771
47712	VIC 223608	47778	VIC 6872S	47860	TROS 350414	4791B	JN-MN 415196
47713	VIC 221730	47779	VIC 370005A	47860	TROS 472311	4792317	CHRY5 3638
47714	VIC 224255	47780	VIC 2146	47860	VIC 7208S	4792318AB	CHRY5 321417N
47716	VIC 222820	4778126	JEEP 5111S	478602	DANA 710454	47920	VIC 4989
477163N	TIMKE 477163N	4778126AB	CHRY5 5111S	478602	SPICE 710454	47921	VIC 222020
47718	VIC 222820	4778126AB	JEEP 5111S	47864	VIC 325776	4792317AB	CHRY5 3638
47719	VIC 471652	47782	VIC 223014	478650C1	IH 100494	4792317AB	MOPAR 3638
47719	VIC 482208	4778228	AMC 5414	478650C1	IH 416470N	4792318	CHRY5 321417N
47723	VIC 474133	4778228	CHRY5 5414	47866	VIC 416557	4792318AB	MOPAR 321417N
47724	VIC 471231	4778228	MOPAR 5414	47867	VIC 416556	47925	VIC 412015V
477241R91	IH 415449	47783	VIC 710043	47867	VIC 472157	47928	VIC 710060
47726	VIC 3946	47784	VIC 710274	47868	VIC 39723	47929	VIC 3655
47728	VIC 3771	47787	SPICE 2146	4786OS	JN-MN 415294	47930	SPICE 4040N
47728	VIC 713771	47788	VIC 416888	4786OS	JN-MN 455294	47932	VIC 417539
47730	VIC 224460	47789	VIC 5460	47870	VIC 455251H	47934	VIC 470380
4773237	CHRY5 4525V	47790	VIC 455583N	47874	VIC 370132A	47934	VIC 472189A
4773237AB	CHRY5 4525V	47792	VIC 415137	47875	VIC 722250	47937	VIC 471424
4773327	CHRY5 4525V	47792	VIC 417352	47876	VIC 370057A	4793SS	JN-MN 471538
47734	VIC 224465	47792	VIC 418028	47877	VIC 370046A	47940	VIC 4160
47738	VIC 223018	477936H	NATL 227045	47879	VIC 370009A	47941	VIC 3909
47739	VIC 225010	477936HAR	NATL 227045	47879	VIC 380009A	47942	VIC 3942
47740	VIC 474134	47795	VIC 370009A	47879SF	VIC 370009A	47944	VIC 200886
47742	VIC 225010	47795	VIC 380009A	47879SF	VIC 380009A	47945	VIC 224205
47743	VIC 223235	47795	VIC 6864S	47880	VIC 370047A	47946	VIC 200881
47744	VIC 714075	47797	VIC 415036	47880	VIC 9584	47947	VIC 200392
47745	VIC 3459	47798	DANA 370018A	47880SF	VIC 370047A	47948	VIC 6936S
47746	VIC 474288	47798	SPICE 370018A	47881	VIC 3592	47949	VIC 415563
47747	VIC 222240	47798	VIC 370018A	47885	DANA 719316	47949	VIC 417433
47749	VIC 224570	47799	VIC 370012A	47885	SPICE 719316	4794B	JN-MN 455018
4774B	JN-MN 417181	47800	VIC 370015A	47885	VIC 719316	4794B	JN-MN 476470
47751	VIC 3774	47801	VIC 2055	47887	VIC 370012A	47950	VIC 714436
47752	VIC 417555	47802	VIC 370019A	47889	VIC 370019A	47952	VIC 710164
47753	VIC 3772	47803	VIC 370005A	47890	VIC 370195A	47954	DANA 41461S
47754	VIC 710167	47805	VIC 370021A	47891	VIC 370025A	47954	VIC 41461S
47755	VIC 2443	47808	VIC 7866S	47891	VIC 380025A	47955	VIC 710046
47756	VIC 415551	47809	VIC 8549S	47891	VIC 386025A	47956	VIC 3553
47757	VIC 417247	4780B	JN-MN 417481	47892	VIC 710056	47958	VIC 8610
47759	VIC 3907	47810	VIC 416102	47894	VIC 483488	47959	VIC 223255
47760	VIC 3907	47812	VIC 335924N	47895	VIC 417210	4795B	JN-MN 415001
47761	SPICE 710482	47816	VIC 335924N	47896	VIC 471869	4795B	JN-MN 455001
47761	VIC 2506	4781B	JN-MN 415867	47896	VIC 473459	4795V	TIMKE 4795V
47762	SPICE 5604	478235R91	IH 415449	47897	VIC 710005	47960	VIC 5698
47762	VIC 5604	47831	HYST 415350	47898	VIC 3173	47961	VIC 3667
47763	VIC 224255	4783B	JN-MN 417481	47898	VIC 710928	47962	VIC 222835
47764	VIC 223010	4784B	JN-MN 415041	47899	VIC 5697	4796492	CHRY5 417158
47765	VIC 710272	4784LPD	JN-MN 415041	4789SS	JN-MN 481073	47965	VIC 240385

INTERCHANGE SECTION

COMPETITIVE INTERCHANGES

Mfr No.	Mfr. National	Mfr No.	Mfr. National	Mfr No.	Mfr. National	Mfr No.	Mfr. National
47968	VIC 39723	48005	VIC 455134	480210	TIMKE 480210	48036	VIC 471808
4796B	JN-MN 415036	480050	C-R 8792S	480219	C-R 3103	48037	VIC 470163
47971	VIC 8316	480050	SKF 8792S	480219	SKF 3103	48039	VIC 314259
47972	VIC 4099	480055	NATL 473215	48022	VIC 225875	48040	VIC 5604
4797334	CHRY5 3459	480055	TIMKE 473215	48023	VIC 2942	4804082100	NISSA 710051
47974	VIC 6815	48006	VIC 2007N	480233	C-R 3945	48041	VIC 5645
47976	VIC 455005	48007	VIC 223543	480233	SKF 3945	48044	VIC 3459
47980	VIC 203005	4800724AA	CHRY5 710655	48023D	IH 473421	48045	VIC 313156
47980	VIC 204005	4800724AA	JEEP 710655	48024	VIC 223608	480450	C-R 455200
4798033	CHRY5 3173	48008	VIC 320583	480249	C-R 415449	480450	SKF 455200
4798033	CHRY5 710928	48009	VIC 223605	480249	SKF 415449	48046	C-R 712449
47981	VIC 472635	480097	C-R 240731	480250	C-R 471271	48046	SKF 712449
4798112	CHRY5 710046	480097	SKF 240731	480250	SKF 471271	480479	NATL 480479H
4798112	JEEP 710046	480098	C-R 470120	48026	VIC 471845N	480479H	CONSL 480479H
4798112	MOPAR 710046	480098	SKF 470120	480260	C-R 475003N	480479H	TIMKE 480479H
4798117	JEEP 710663	480099	C-R 471224	480260	SKF 475003N	48049	VIC 710365
4798117	MOPAR 710663	480099	SKF 471224	480261	C-R 418027	480491	TIMKE 480491
4798125	CHRY5 3946	4800B	JN-MN 417273	480261	SKF 418027	48050	VIC 3894V
4798125	JEEP 3946	48010	VIC 224100	480262	C-R 9773	4805071	CHRY5 320348
4798125	MOPAR 3946	48011	VIC 710058	480262	SKF 9773	4805071	OPEL 320348
47982	VIC 8312	48012	VIC 3638	48027	VIC 710213	480570	TIMKE 480570
4798216	CHRY5 5106	480125	C-R 471766	480273	C-R 475322N	480574H	TIMKE 480574H
4798216AB	CHRY5 5106	480125	SKF 471766	480273	SKF 475322N	480581	TIMKE 480581
4798216AC	CHRY5 5106	48014	VIC 1973	480274	C-R 417316	48061	VIC 3638
4798216AC	MOPAR 5106	480148	C-R 7692S	480274	SKF 417316	48063	VIC 225020
47983	VIC 370150A	480148	SKF 7692S	480275	C-R 415009N	480630	NATL 470451
47984	VIC 710065	480149	C-R 340136	480275	SKF 415009N	480630	NATL 480991
47985	VIC 455479	480149	SKF 340136	480278	C-R 416282	480630	TIMKE 480630
47988	VIC 4148	48015	VIC 480581	480278	SKF 416282	48064	VIC 229005
47989	VIC 470672	480150	C-R 9613S	480281	NATL 7013S	48065	C-R 455251H
47990	VIC 710062	480150	SKF 9613S	480281	TIMKE 480281	48065	SKF 455251H
47991	VIC 710403	480151	C-R 51098	48028S	TROS 442109	48065SF	VIC 4795V
47992	VIC 100263	480151	SKF 51098	48029	VIC 223800	48067	VIC 39703
47992	VIC 3905	480152	C-R 470380	4802992G00	NISSA 221820	48067	VIC 39813
47993	VIC 223420	480152	SKF 470380	48029H5000	NISSA 221720	48068	VIC 39807
47994	VIC 1987	48016	VIC 224570	48029W0501	NISSA 221730	48069	VIC 710162
47995	VIC 471950	480168	C-R 7300S	480293	C-R 35949N	48070	VIC 370065A
47997	VIC 710167	480168	SKF 7300S	480293	C-R 4563V	48070	VIC 380065A
4799B	JN-MN 415034	48017	VIC 224255	480293	SKF 35949N	48071	VIC 370036A
4799B	JN-MN 455034	480173	C-R 473237	480293	SKF 4563V	48071	VIC 370349A
479F	OSHKO 415001	480173	SKF 473237	480294	C-R 475012N	48071	VIC 380036A
479F	OSHKO 455001	480176	C-R 204038	480294	SKF 475012N	48072	VIC 370037A
47X62X8SB	TRSCM 1949	480176	SKF 204038	480299	C-R 417349	48072	VIC 370338A
48000	C-R 370005A	480177	C-R 9845	480299	SKF 417349	48075	VIC 370005A
48000	C-R 370173A	48018	VIC 4244	4802B	JN-MN 415551	48076	VIC 370021A
48000	SKF 370005A	480184	C-R 332062	480300	C-R 415013N	48077	VIC 370025A
48000	SKF 370173A	480184	SKF 332062	480300	SKF 415013N	48077	VIC 380025A
48001	C-R 370005A	480185	C-R 2692	480303	C-R 415086N	48077	VIC 386025A
48001	SKF 370005A	480185	SKF 2692	480303	SKF 415086N	48077354	GE 471255
48002	C-R 370003A	480186	C-R 2692	48032	VIC 4249	48078	VIC 370001A
48002	C-R 370005A	480186	SKF 2692	480325	C-R 416470N	48078	VIC 380001A
48002	C-R 370169A	480187	C-R 6712NA	480325	SKF 416470N	4807837	OPEL 710237
48002	C-R 370173A	480187	SKF 6712NA	48033	VIC 2260	48080	WAUKE 417171
48002	SKF 370003A	48019	VIC 200854	48034	VIC 200861	480821	NATL 474131
48002	SKF 370005A	480198	C-R 331107N	48035	VIC 451817	480821	NATL 7013S
48002	SKF 370169A	480198	SKF 331107N	480350	C-R 415991N	480821	TIMKE 480821
48002	SKF 370173A	4801B	JN-MN 456105	480350	SKF 415991N	48084	VIC 370023A
48002	VIC 200752	48020	VIC 200861	480356	TIMKE 480356	48084	VIC 380023A
48003	VIC 200885	48021	VIC 200133	480356V	NATL 473135V	480844	TIMKE 480844
48004	VIC 200887	480210	NATL 9376	48036	ALLCH 471647	48085	VIC 370003A

INTERCHANGE SECTION

COMPETITIVE INTERCHANGES



Mfr No.	Mfr.	National	Mfr No.	Mfr.	National	Mfr No.	Mfr.	National	Mfr No.	Mfr.	National
48085	VIC	380003A	481190A2	FORD	5796	481397	BRWNG	481397	481834	TIMKE	481834
48086	VIC	370025A	481191V	TIMKE	481191V	481397	TIMKE	481397	481837	TIMKE	481837
48086	VIC	380025A	481195	TIMKE	481195	4813V	TIMKE	4813V	48184	VIC	7692S
48086	VIC	386025A	48120	TROS	7780N	48140	VIC	224255	481847R91	IH	203006
480867	NATL	470898	481213	NATL	470328	48141	VIC	710106	481859	TIMKE	481859
48087	VIC	370065A	481213	TIMKE	481213	481410	AM HO	417546	481859SSR	BRWNG	481859
48087	VIC	380065A	481224V	TIMKE	481224V	481413	NATL	471413	48186	VIC	471645
48088	VIC	370036A	4812501E00	NISSA	221720	481420	AM HO	416107	481864	TIMKE	481864
48088	VIC	370349A	4812550A00	NISSA	221540	481420	AM HO	455073	48187	VIC	204013
48088	VIC	380036A	48127	VIC	6636S	48143	VIC	710101	48189	VIC	473215
480889	TIMKE	480889	481272	NATL	471272	48144	VIC	4525V	48191	VIC	473242
48089	VIC	370003A	481279	NATL	472213	481443	NATL	471443	48192	VIC	473458
48089	VIC	380003A	4812899	OPEL	224200	481443	TIMKE	481443	48194	VIC	473517
48090	VIC	370001A	48129	VIC	3945	481446	AM HO	412871	48195	VIC	253099
48090	VIC	380001A	48130	VIC	710091	481446	AM HO	450329	48196	VIC	472287
48091	VIC	370023A	48131	VIC	470547	48145	VIC	370048A	48198	VIC	474256
48091	VIC	380023A	48132	VIC	4503N	48145	VIC	370182A	48199	VIC	473205
48092	VIC	370106A	48133	VIC	714503	48145	VIC	380048A	481992	TIMKE	481992
48093	VIC	370021A	48135	VIC	4141	48146	VIC	370033A	4819989	ALLCH	472636
48094	VIC	370037A	48135A	RELEE	417343	48147	VIC	370008A	4819990	ALLCH	416556
48094	VIC	370338A	48135AD	RELEE	417366	48148	VIC	370006A	4819990	ALLCH	472157
48095	VIC	370022A	48135B	RELEE	450260	481481	TIMKE	481481	4819991	ALLCH	J1130
48095	VIC	380022A	48135D	RELEE	473438	48149	VIC	370009A	48200	VIC	481792
480954	TIMKE	480954	48135E	RELEE	470163	48149	VIC	380009A	48201	VIC	50151S
480954V	TIMKE	480954V	48135E	RELEE	471766	48152	VIC	480570	482015	NATL	472015
48096	VIC	370047A	48135F	RELEE	415458	481528	TIMKE	481528	48202	VIC	471570
48097	VIC	370131A	48135F	RELEE	455003	48153	VIC	470460	48203	VIC	473380
48097	VIC	380131A	48135G	RELEE	450083	481537	TIMKE	481537	48204	VIC	471633
48098	VIC	370031A	48135G	RELEE	472924	48154	VIC	415023	482041N	TIMKE	482041N
48098	VIC	380031A	48135H	RELEE	413469	48155	VIC	417073	48205S	TROS	41461S
480988H	TIMKE	480988H	48135J	RELEE	412943	48156	VIC	417171	48206	VIC	450070
480988HC2	CATER	480988H	48135K	RELEE	473213	481568	TIMKE	481568	482069N	TIMKE	482069N
48099	VIC	370069A	48135L	RELEE	415001	48157	VIC	473451	48208	VIC	444042
48099	VIC	380069A	48135L	RELEE	455001	481577	AM HO	417357	48210	VIC	471808
480991	TIMKE	480991	48135M	RELEE	415960	481577	AM HO	455192	48211	VIC	471137
48101	MERIX	350954	48135M	RELEE	455009	48158	VIC	455144	48212	VIC	710204
48101	MERIX	470954	48135N	RELEE	411394	48159	VIC	416156	482125	NATL	6835S
48101	ROCKW	350954	48135N	RELEE	450317	4815B	JN-MN	415001	482126	TIMKE	482126
48101	ROCKW	470954	48135P	RELEE	450070	4815B	JN-MN	455001	48213	VIC	3946
48103	VIC	4278	48135P	RELEE	472185	48160	VIC	7568	482163	TIMKE	482163
481073	TIMKE	481073	48135S	RELEE	412119	48161	VIC	710105	482163N	NATL	482163
481076	NATL	471076	48135S	RELEE	450101	48162	TROS	416664	482163N	TIMKE	482163N
48108	VIC	223750	48135T	RELEE	417073	48163	VIC	4762N	482164N	TIMKE	482164N
4810SH	JN-MN	240119	48135U	RELEE	415988	48164	VIC	39703	48217	VIC	4333N
4810SS	JN-MN	471442	48135V	RELEE	450117	481644	TIMKE	481644	48218	VIC	4370N
48110	DANA	710096	48135V	RELEE	472572	481650	TIMKE	481650	4821B	JN-MN	455121
48110	VIC	710096	48136	VIC	5133	48166	VIC	4359V	48220	VIC	240462
481100SSR	BRWNG	471652	48136X	RELEE	455018	48167	VIC	4189H	482208	TIMKE	482208
481100SSR	BRWNG	482208	48136X	RELEE	476470	4816B	JN-MN	415437	48221	VIC	340817
48112	VIC	473814	48137	VIC	487945	4817346	OPEL	710855	48222	VIC	340853
481134	NATL	471787	4813701G00	NISSA	710051	48176	VIC	320259	482230N	TIMKE	482230N
481150	NATL	473231	4813726760	NISSA	222540	48177	VIC	340835	48224	VIC	415034
481163	NATL	481163	4813736700	NISSA	222540	48178	VIC	442109	48225	DANA	719316
481163	NATL	6759S	4813792G00	NISSA	223400	48179	VIC	472258	48225	SPICE	719316
481163	TIMKE	481163	48137H1000	NISSA	222535	481792	TIMKE	481792	48225	VIC	415302
481181	NATL	481181N	48137H1001	NISSA	222535	48180	VIC	710388	482253	TIMKE	482253
481181	TIMKE	481181	48137H1002	NISSA	222535	48181	VIC	223012	48226	VIC	450341
481181N	TIMKE	481181N	48138	VIC	416706	48182	VIC	7412S	482267	TIMKE	482267
481190A	FORD	5796	481384	NATL	480581	4818276	OPEL	225010	48227	VIC	450362
481190A1	FORD	5796	48139	VIC	710179	48183	VIC	710389	48229	VIC	471612

INTERCHANGE SECTION

COMPETITIVE INTERCHANGES

Mfr No.	Mfr. National	Mfr No.	Mfr. National	Mfr No.	Mfr. National	Mfr No.	Mfr. National
48230	VIC 471736	48299	C-R 370027A	4837B	JN-MN 455136	48612	VIC 320457
482309	TIMKE 482309	48299	C-R 370195A	4838	HYST 415035	48613	VIC 471526
48231	VIC 471887	48299	SKF 370027A	4838	HYST 455035	48615	VIC 471472
482310	TIMKE 482310	48299	SKF 370195A	48382	VIC 9845	48615TA	TRSCM 417267
48233	VIC 472954	483	KRSE 411376	48383	VIC 39803	48617	VIC 471549
48234	VIC 473225	48300	VIC 2457	48384	VIC 710473	48618	VIC 471442
48235	VIC 473233	48302	VIC 473442	483856	ALLCH 415577	48619	VIC 471530
48236	VIC 473450	48304	VIC 482163N	4838563	ALLCH 415577	4862	MERIX 410496
48237	VIC 473455	48305	VIC 4528N	4838B	JN-MN 473450	4862	ROCKW 410496
48238	VIC 473474	483054N	TIMKE 483054N	48392	VIC 320249	48620S	TROS 474276
48239	VIC 474261	48307	VIC 714679	484300	ELRNG 711028	48622	VIC 472705
482393R1	IH 240735	48308	VIC 714598	484054	TIMKE 484054	48623	VIC 471535
482401	NATL 471419	48311	WAUKE 471570	484058	TIMKE 484058	48624	VIC 471551
482401	NATL 473367	48312	VIC 224250	484064V	TIMKE 484064V	48625	VIC 471532
482415	TIMKE 482415	48313	VIC 471424	4840LA	JN-MN 417082	48625TA	TRSCM 417269
48242	VIC 710136	48315	VIC 713103	484156V	TIMKE 484156V	48626	VIC 473405
48243	VIC 710182	48316	VIC 710304	4842LA	JN-MN 470219	48627	VIC 471558
482435	NATL 5397	48317	VIC 9150S	4842LA	JN-MN 471649	48628	VIC 481073
48245	VIC 710228	48322	VIC 482041N	4843	SKIL 471231	48629	VIC 471538
48246	VIC 710199	483230V	TIMKE 483230V	48460	TROS 472258	4862LA	JN-MN 450494
48248	VIC 223253	483238V	TIMKE 483238V	48464	TROS 450043	4862LA	JN-MN 472164
4824B	JN-MN 416888	483246N	TIMKE 483246N	48464	TROS 473419	48630	VIC 471579
4824B	JN-MN 455200	483246N	WMG 413246N	484766R91	IH 204008	48632	VIC 350679
48251	VIC 223831	48326	VIC 470059	48498D	IH 416444	48632	VIC 350954
48253	VIC 4904	48327	VIC 370051A	4850132	ALLCH 415645	48634	VIC 480821
48254	VIC 1981	48328	VIC 370063A	4850132	ALLCH 455104	48636	VIC 471498
48255	VIC 3622	48329	VIC 370078A	48504	TROS 416273	48637	VIC 471684
48256	VIC 710103	48330	VIC 370094A	4850LA	JN-MN 473016	48637	VIC 471698
482576N	TIMKE 482576N	48331	VIC 370119A	4850LPD	JN-MN 473016	48639	VIC 481443
48258	VIC 710146	48332	VIC 370199A	4851	DIVCO 416738	4863LA	JN-MN 450291
48259	VIC 225230	48333	VIC 370211A	4851	DIVCO 450096	4863LA	JN-MN 471141
4825LUP	JN-MN 476842	48335	VIC 370219A	48513D	IH 473215	48640	VIC 481568
48260	VIC 225450	48336	SPICE 370220A	48518D	IH 410101N	48640S	TROS 415449
48262	VIC 710241	48336	VIC 370220A	48519	TROS 416339	48641	VIC 471337
48266	VIC 4532N	483367V	TIMKE 483367V	48519	TROS 455031	48642	VIC 474273
48267	VIC 370022A	48340	TROS 450776	485195H	TIMKE 485195H	48643	VIC 471645
48267	VIC 380022A	48341	VIC 415483	48519D	IH 473228	48644	VIC 471686
4826B	JN-MN 450301	48342	AMC 8160S	4852214	ALLCH 415437	48645	VIC 473412
4826B	JN-MN 472397	48343	AMC 471141	485259	LF-PT 415259	48646	VIC 473413
48271	VIC 3896	483459H	TIMKE 483459H	485306R1	IH 471643	48647	VIC 473414
48272	VIC 4739	4834772	ALLCH 455151	485364N	TIMKE 485364N	4864784	CHRY 710691
48273	VIC 4857	483481	NATL 471766	48539D	IH 200600	4864784	JEEP 710691
48274	VIC 224570	483488	TIMKE 483488	48549	HYST 471192	48649	VIC 473415
48276	VIC 710285	4834LA	JN-MN 470059	485497	TIMKE 485497	4864LA	JN-MN 455583N
48277SF	VIC 9845	4834LA	JN-MN 470380	4855456	FORD 482041N	4864LUP	JN-MN 455583N
48278	VIC 370019A	48351	VIC 415449	4856336	AMC 4857	48650	VIC 470567
4827B	JN-MN 473446	48352	VIC 710268	4856336	CHRY 4857	48650	VIC 471267
48281	VIC 710414	48353	VIC 417987N	4856336	JEEP 4857	48651	VIC 471633
48282	VIC 710413	48354	VIC 710275	4856336	MOPAR 4857	48652	VIC 470590
48284	VIC 370024A	48355	VIC 455031	4856LA	JN-MN 471750	48653	VIC 471137
48285	VIC 224010	48356	VIC 415991	4857	TIMKE 4857	48654	VIC 471730
48286	VIC 223520	48358	VIC 412861	485921N	NATL 413246N	48654S	TROS 417344
48287	VIC 2081	483591	FORD 472560N	485921N	NATL 483246N	48654S	TROS 455006
48292	DANA 710452	483591	FORD 50151S	48600	VIC 350364	48655	VIC 471730
48292	SPICE 710452	48361	VIC 710279	48605SA	TRSCM 455091	48657	VIC 470219
48292	VIC 9316	48362	VIC 711553	48606	VIC 6863S	48657	VIC 471649
48297	C-R 370027A	48363	VIC 710171	48607	VIC 6863S	48659	VIC 450038
48297	SKF 370027A	48365	VIC 473336	48609	VIC 320457	48660	VIC 471571
48298	C-R 370004A	48373	VIC 324204	4860SCR	NATL 8312	48661	VIC 471647
48298	SKF 370004A	483793	TIMKE 483793	48610	VIC 470004	48662	VIC 472951

INTERCHANGE SECTION

COMPETITIVE INTERCHANGES



Mfr No.	Mfr. National	Mfr No.	Mfr. National	Mfr No.	Mfr. National	Mfr No.	Mfr. National
48662	VIC 474252	48722	VIC 473016	48769	SKF 417269	48808	VIC 417490
48664	VIC 451583	48724	VIC 470062	48769	VIC 471868	48809	VIC 416292
48665	VIC 471648	48724	VIC 474264	4876N	TIMKE 4876N	4880LA	JN-MN 471255
48666	VIC 471688	48726	C-R 417267	48771	VIC 473240	4880LUP	JN-MN 471255
48667	VIC 350414	48726	SKF 417267	48772	VIC 410524	48810	VIC 417491
48667	VIC 472311	48726	VIC 473439	48773	SPICE 710492	48811	VIC 415085
48668	VIC 471733	48727	VIC 470548	48776	VIC 473461	48811	VIC 456648
48669	VIC 471744	48727	VIC 470625	48776D	IH 417316	48812	VIC 417191
4866B	JN-MN 472029	48730	TROS 471763	48776D	IH 455004	48812	VIC 455165
48671	VIC 481650	48731	TROS 474274	48777	VIC 471391	48813	VIC 55419
48676	VIC 410520	487324	GR-DV 417205	48779	VIC 450389	48814	VIC 240435
48676	VIC 471272	487324	HYST 417205	48779	VIC 472492	48816	VIC 240435
48677	VIC 471651	487328	GR-DV 417211	48781	VIC 473242	48817	VIC 340385
48678	VIC 471705	48733	TROS 416345	48783	VIC 450311	48819	VIC 340771
48679	VIC 471735	48733	TROS 455033	48785	VIC 473471	4881A	HERCU 450316
4867B	JN-MN 417507	48733	VIC 472299	48786	VIC 410520	4881A	HERCU 472636
4867B	JN-MN 455513	48734	VIC 472299	48786	VIC 471272	4881LA	JN-MN 417551
4867D5	DIA 415086N	48736	VIC 482253	48787	VIC 455136	48821	VIC 41264S
4867D5	DIA 417487	48737	VIC 451469	48788	VIC 415234	48824	VIC 40208
48680	VIC 450342	48738	TROS 471570	48789	AM WH 472439	48825	VIC 340120
48681	VIC 471762	48738	VIC 450194	48789	VIC 55337	48827	VIC 340151
48682	VIC 471762	48738	VIC 473010	4879	HEIL 415449	48829	VIC 43076S
48683	VIC 450044	48739	VIC 474274	4879	HEIL 455147	48830	VIC 40652S
486857	TIMKE 486857	487397V	TIMKE 487397V	4879	STN-S 415449	48832	VIC 471192
48686	VIC 450159	4873LA	JN-MN 417570	4879	STN-S 455147	48836	VIC 40568S
48687	VIC 350974	4873LUP	JN-MN 417570	48790	AM WH 470088	48837	VIC 470543
48688	VIC 470712	4874	GR-DV 415187	48790	VIC 411394	48837	VIC 474272
48689	VIC 471747	4874	HU-WR 415187	48790	VIC 450317	4883966AA	CHRY S 714675
48689	VIC 472674	48741	VIC 450260	487908	GMC 332062	4883966AA	JEEP 714675
4868B	JN-MN 450316	48743	VIC 450073	48791	VIC 411394	4883B	JN-MN 413478
4868B	JN-MN 472636	4874477	JEEP 710068	48791	VIC 450317	48841	VIC 412920
486910602	MAZDA 8316	4874477	MOPAR 710068	48792	C-R 370007A	48841	VIC 450132
48690	C-R 370195A	48746	VIC 473446	48792	C-R 370057A	4884B	JN-MN 473461
48690	SKF 370195A	4874694	FORD 710709	48792	SKF 370007A	48850	VIC 455019
48690	VIC 471785	48747	VIC 470086	48792	SKF 370057A	48851	VIC 470165
48691	C-R 370057A	48748	VIC 450068	48792	VIC 416444	48852	VIC 455024
48691	C-R 370195A	4874G	CLARK 415187	48793	VIC 416271	48853	VIC 417354
48691	SKF 370057A	4874N	TIMKE 4874N	48794	C-R 370007A	48854	VIC 417493
48691	SKF 370195A	48750	VIC 50081	48794	C-R 370057A	48855	VIC 455026
48691	VIC 473428	48751	VIC 450400	48794	SKF 370007A	48856	VIC 415711
48692	VIC 450161	48752	VIC 451147H	48794	SKF 370057A	48857	VIC 417497
48692	VIC 471764	48753	VIC 450291	48794	VIC 470605	48858	VIC 417498
48693	C-R 416167	48753	VIC 471141	487945	TIMKE 487945	48859	VIC 417498
48693	SKF 416167	48754	VIC 473313	48795	VIC 417079	4885B	JN-MN 473313
4869546	GE 481073	48755	VIC 50266	48796	C-R 370005A	48860	VIC 415937
48696	VIC 473205	48756	VIC 450269	48796	C-R 370057A	48861	VIC 417501
48697	VIC 470347	48757	VIC 450285	48796	SKF 370005A	48863	VIC 55030
48697	VIC 474254	48759	VIC 450089	48796	SKF 370057A	48864	VIC 415379
48698	VIC 450173	48760	VIC 472070	48796	VIC 417343	48864	VIC 455379
48699	TROS 473239	48761	VIC 450118	48798	VIC 455005	48865	VIC 417205
48702	VIC 471787	48761	VIC 473449	48799	VIC 417134	48866	VIC 415150
48703	VIC 450177	48763	VIC 450090	48800	VIC 417486	48868	VIC 417504
48704	VIC 470050	48763S	TROS 485195H	48801	VIC 415995	48869	VIC 455032
48705	VIC 473424	48764	VIC 473451	48801	VIC 455013	48870	C-R 370005A
4870SCR	NATL 710091	48766	VIC 470331N	48802	VIC 417351	48870	SKF 370005A
48710	VIC 473421	48766	VIC 714675	48802	VIC 455154	48870	VIC 417210
48711	VIC 473212	48767	VIC 473453	48803	VIC 417488	48871	VIC 417366
48713	VIC 473436	48768	C-R 417269	48804	VIC 415088	48872	VIC 455186
48715	VIC 450054	48768	SKF 417269	48804	VIC 455088	48873	VIC 455191
48716	VIC 470774	48769	C-R 417269	48806	VIC 455015	48874	VIC 417357

INTERCHANGE SECTION

COMPETITIVE INTERCHANGES

Mfr No.	Mfr.	National	Mfr No.	Mfr.	National	Mfr No.	Mfr.	National	Mfr No.	Mfr.	National
48874	VIC	455192	48920	VIC	416163	4902	KELSE	200354	49113	SUL	472924
48875	VIC	417357	48921	VIC	456890	49022	TROS	5M81	49113	VIC	472924
48875	VIC	455192	48922	VIC	416167	49023110	WHITE	370023A	49114	VIC	470074
48876	VIC	415036	48922	VIC	455091	49023110	WHITE	380023A	49114	VIC	474265
48877	VIC	417509	48923	VIC	417267	49024	VIC	416738	4911456B00	SUZUK	221730
48879	VIC	455037	48924	VIC	417269	49025	VIC	450066	4911456B20	SUZUK	221730
48882	C-R	370005A	48925	VIC	417539	49025	VIC	473367	4911460A00	SUZUK	221730
48882	C-R	370121A	48926	VIC	417273	49026	VIC	415007	49116	TROS	5M466
48882	SKF	370005A	48927	VIC	415645	49027	VIC	416921	4911630	ALLCH	6988H
48882	SKF	370121A	48927	VIC	455104	49027	VIC	455011	4911B	JN-MN	455032
48883	C-R	7866S	48929	VIC	417556	49029	TROS	5M89	4912	C-R	340847
48883	SKF	7866S	48931	VIC	417562	49029	VIC	450044	4912	LABEQ	415449
48883	VIC	415142	48932	VIC	417563	4902LA	JN-MN	417546	4912	LABEQ	455147
48884	C-R	370057A	48933	VIC	417298	4902LUP	JN-MN	417546	4912	SKF	340847
48884	C-R	370121A	48934	VIC	417596	49035	VIC	450298	49120	TROS	440265
48884	SKF	370057A	48935	VIC	455584	49035	VIC	473239	49122	VIC	473441
48884	SKF	370121A	48935K	IH	50081	49038204	WHITE	370030A	49124	VIC	473450
48884	VIC	417512	48936	VIC	416077	49039	VIC	7600S	49128	VIC	470077
48885	VIC	455203	48937	VIC	415116	4904	TIMKE	4904	49128	VIC	474281
48886	C-R	370003A	48938	VIC	455117	49041	VIC	471750	4912B	JN-MN	415442
48886	C-R	370057A	48939	VIC	415551	49042	CATER	470590	4913	C-R	340847
48886	C-R	380003A	48940	VIC	417598	49042	VIC	471354	4913	C-R	43095S
48886	SKF	370003A	48941	VIC	455406	49050	C-R	370003A	4913	LABEQ	473236
48886	SKF	370057A	48942	VIC	455121	49050	C-R	370028A	4913	SKF	340847
48886	SKF	380003A	48943	VIC	417602	49050	C-R	380003A	4913	SKF	43095S
48886	VIC	455056	48944	VIC	455123	49050	SKF	370003A	49130	VIC	473442
48887	VIC	455194	48946	VIC	417604	49050	SKF	370028A	49133	VIC	472287
48888	HYST	330385	48947	VIC	417567	49050	SKF	380003A	49138	TROS	5M643
48888	VIC	417513	48948	VIC	415128	490576C92	IH	370124A	4914	LABEQ	415991
48889	VIC	417514	48949	VIC	415090	490577C92	IH	370131A	4914	LABEQ	455146
4889	TIMKE	4889	48951	VIC	415219	490577C92	NAVST	380131A	49140	VIC	471866
48890	VIC	417515	48953	VIC	417606	49061	VIC	470380	49141	VIC	450441
48891	VIC	472157	48954D	IH	472287	49070	TROS	5M289	49141	VIC	471341
48891	VIC	485195H	48956D	IH	471649	49071	TROS	5M293	49143	VIC	470950
48892	VIC	415196	48957	VIC	417020	49071	VIC	40337S	49143	VIC	6241S
48893	VIC	416891	48958	VIC	417570	4907118	ALLCH	416297	49144	VIC	450111
48894	VIC	415045	48959	VIC	415227	49075	VIC	8160S	49146	VIC	471868
48895	VIC	416137	48961	VIC	415482	49081	VIC	473471	49149	VIC	450115
48896	VIC	455197N	48962	VIC	415076	49086	VIC	470954	49149	VIC	473467
48897	VIC	417520	48963	VIC	417608	49089	VIC	411253	49150	VIC	473228
48898	VIC	455026	48967	VIC	450361	49089	VIC	450099	49150	VIC	51098
48899	VIC	417238	48967	VIC	470361	4909	C-R	342805	49150SF	VIC	473228
4890	MID	240735	48967	VIC	472193	4909	SKF	342805	49150SF	VIC	51098
4890	TIMKE	4890	48968	VIC	340385	49092	VIC	481864	49153	SPICE	714675
48903	VIC	415047	4896902	ALLCH	411376	49094	TROS	5M403	49160	TROS	471192
48904	VIC	416149	48971	VIC	415064	49098	VIC	450593	49161	VIC	5778
48905	VIC	415060	4897297AA	CHRY	713103	49099	VIC	450084	49164	VIC	450095
48907	VIC	417525	4897298AA	CHRY	710691	49101	VIC	414045	49164	VIC	473464
48908	VIC	417526	4897298AA	JEEP	710691	49106	VIC	472394	491656C1	IH	3292
48909	VIC	415351	4897298AA	MOPAR	710691	49109	VIC	450666	49168	VIC	415458
48910	VIC	416153	4898	TIMKE	4898	4910B	JN-MN	455356	49168	VIC	455003
48911	VIC	416154	4899	TIMKE	4899	4911	C-R	342805	49170	VIC	415007
48913	VIC	417533	48X62X8	NATL	1188	4911	LABEQ	471760	49171	TROS	5MR71
48914	VIC	417534	48X62X8SB	TRSCM	1188	4911	SKF	342805	49171	VIC	450076
48915	VIC	457585	48X72X7TC	TRSCM	1208	49110	VIC	40154S	49171	VIC	470334
48916	VIC	416158	49	UNIVE	474277	49111	VIC	470680	49172	TROS	5MR1008
48917	VIC	415064	49001	VIC	5070	49111	VIC	471570	49173	TROS	5MR1009
48918	NEWPR	710598	4901	TIMKE	4901	49112	VIC	450078	49173	VIC	473473
48918	VIC	417535	49011	VIC	473450	49112	VIC	473444	49174	VIC	417073
48919	VIC	417536	4901LA	JN-MN	455509	49113	SUL	450083	49176	TROS	5MR1300

INTERCHANGE SECTION

COMPETITIVE INTERCHANGES



Mfr No.	Mfr. National	Mfr No.	Mfr. National	Mfr No.	Mfr. National	Mfr No.	Mfr. National
49176	VIC 5756	49237	VIC 5836	49295	VIC 470120	49351	VIC 473467
49177	VIC 471795	49238	VIC 450094	49295	VIC 471224	49352	VIC 471271
49177D	IH 472439	49238	VIC 473462	49296	VIC 450043	493524	TIMKE 493524
49178	VIC 40769S	49239	VIC 471442	49296	VIC 473419	49353	VIC 240319
49180	VIC 450073	49240	VIC 41787S	49297	VIC 450076	49355	VIC 450452
49182	VIC 415960	49242	VIC 415449	49297	VIC 470334	49355	VIC 473197
49182	VIC 455009	49247	VIC 8160S	49298	VIC 415988	49357901	CORTE 710773
49184	VIC 410190	4925	C-R 342613	49299	SPICE 710453	49358	VIC 471231
49187	VIC 5796	4925	EATON 412871	49300	VIC 473211	49359	VIC 474278
49189	VIC 473215	4925	EATON 450329	49301	C-R 417273	49359	VIC 6859S
4918LA	JN-MN 470027	4925	FULLE 412871	49301	SKF 417273	49360	VIC 471466
4918LA	JN-MN 471554	4925	FULLE 450329	49301	VIC 50468	49361	VIC 417158
49191	VIC 450065	4925	SKF 342613	49302	VIC 470682	49361	VIC 455355
49193	TROS 415196	49251	C-R 417539	49304	VIC 473235	49362	VIC 480210
49195	VIC 450461	49251	SKF 417539	49305	VIC 450070	49363	VIC 473236
49195	VIC 473440	49252	VIC 450765	49305	VIC 472185	493637	TIMKE 493637
49197	VIC 473450	49257	VIC 471103	49306	VIC 473225	49364	VIC 5756
49198	VIC 415001	49257	VIC 50197S	49307	VIC 450494	49365V0229	NISSA 221820
49198	VIC 455001	49258	VIC 40286	49307	VIC 472164	49368	VIC 240414
49199	VIC 450316	49259	VIC 40370S	4931	C-R 330699	49369	VIC 6064
49199	VIC 472636	49263	VIC 410496	4931	SKF 330699	49372	VIC 450185
4919B	JN-MN 470074	49264S	TROS 416271	49311	VIC 411500	49372	VIC 473229
4919B	JN-MN 474265	49268	VIC 455008	49313	VIC 5872S	49373	VIC 470543
49202	VIC 240023	49269	VIC 410987	49314	VIC 450867	49373	VIC 474272
49203	VIC 471571	49269	VIC 450103	49314	VIC 470898	49374	VIC 450803
49206	VIC 413469	49270	VIC 473447	49315	VIC 450085	49376	VIC 50468
49208	C-R 710405	492702	NATL 4148	49315	VIC 470530	49378	VIC 415483
49208	SKF 710405	49271	VIC 410694	49316	VIC 417316	49378	VIC 455368
49208	VIC 455280	49272	VIC 450069	49316	VIC 455004	49379	VIC 6460S
49209	VIC 6241S	49272	VIC 473232	49317	VIC 410308	4938	C-R 342614
49210	C-R 231250	49273	VIC 450082	49317	VIC 450308	4938	C-R 43080S
49210	SKF 231250	49273	VIC 473238	49317C1	VIC 450308	4938	SKF 342614
49211	VIC 470169	49274	VIC 416921	49318	VIC 8160S	4938	SKF 43080S
49211	VIC 473214	49274	VIC 455011	49319	VIC 472560N	49380	VERSA 416047
49212	VIC 470354	49276	VIC 412119	49319	VIC 50151S	49380	VERSA 416332
49214	VIC 473450	49276	VIC 450101	49320	VIC 473458	49383	VIC 450115
49215	VIC 5827	49276	VIC 472856	49321	VIC 471103	49383	VIC 473467
49216	VIC 455336	49277	VIC 415995	49321	VIC 50197S	49385	VIC 470606
49218	VIC 43071S	49277	VIC 455013	49324	VIC 5877	49388	VIC 5924
49219	VIC 471141	49278	VIC 473427	49324C1	VIC 5877	49389	VIC 416738
4921B	JN-MN 470027	49279	VIC 416738	49328	VIC 710606	49389	VIC 450096
4921B	JN-MN 471554	49279	VIC 450096	493287	WHITE 415351	4939	C-R 330699
49222	VIC 450365	49280	VIC 450085	493291	TIMKE 493291	4939	SKF 330699
49222	VIC 470898	49280	VIC 470530	49330	VIC 416654	49390	VIC 455151
49223	VIC 450121	492805	WHITE 415147	49330	VIC 455012	49391	VIC 415041
49223	VIC 472409	492805	WHITE 415449	49336	VIC 471192	49395	VIC 472439
49224	VIC 450070	49282	VIC 473473	49337	VIC 470088	49397	VIC 411245
49224	VIC 472185	49283	VIC 472144	49338	VIC 450291	49397	VIC 455096
49225	VIC 414045	49285	VIC 473438	49338	VIC 471141	49398	VIC 472810
49226	VIC 6064	49287	VIC 473426	4934	TIMKE 4934	49399	VIC 470898
4923	C-R 312196	49288	VIC 471466	49340	VIC 450083	4940	C-R 712019
4923	SKF 312196	49289	VIC 470045	49340	VIC 472924	4940	SKF 712019
49230	VIC 7216	49289	VIC 476838	49341	VIC 471801	49400	VIC 450194
492300C1	IH 446927	49290	VIC 415001	49342	VIC 415984	49400	VIC 473010
49232	VIC 450274	49290	VIC 455001	49344	VIC 450301	49401	VIC 470219
49233	VIC 473228	49291	VIC 417344	49344	VIC 472397	49401	VIC 471649
49234	ALLCH 471570	49291	VIC 455006	49347	VIC 471765	49402	VIC 472012
49234	VIC 473179	49293	VIC 471442	49349	VIC 455151	49403	VIC 471255
49235	VIC 5070	49294	VIC 470027	49350	VIC 473245	49407	VIC 472826
49236	VIC 6064	49294	VIC 471554	49351	VIC 450115	49408	VIC 450154

INTERCHANGE SECTION

COMPETITIVE INTERCHANGES

Mfr No.	Mfr.	National	Mfr No.	Mfr.	National	Mfr No.	Mfr.	National	Mfr No.	Mfr.	National
49408	VIC	473234	49458	VIC	471553	49517	VIC	417181	49585C1	VIC	440265
4940LA	JN-MN	415995	49459	VIC	472164	49518	VIC	473228	49587	VIC	5827
4940LA	JN-MN	455013	49460	VIC	473227	49518	VIC	51098	49591	VIC	471862
4940LUP	JN-MN	415995	49462	VIC	6090S	49519	VIC	472810	49598	VIC	417172
4940LUP	JN-MN	455013	49463	VIC	416011	49520	VIC	413246	49600	VIC	475380N
49410	VIC	8139	49463	VIC	417621	49520	VIC	413246N	49602	VIC	471526
494117	TIMKE	494117	49466	VIC	42763	49521	VIC	6186	496028	WHITE	417316
49412	VIC	6064	49469	VIC	472015	49522	VIC	410085	49603	VIC	40769S
494122	TIMKE	494122	49470	VIC	412943	49522	VIC	470530	49605	VIC	471281
494123	TIMKE	494123	49472	VIC	417191	49523	VIC	410520	49606	VIC	471785
49413	VIC	470548	49475	VIC	450030	49523	VIC	471272	49607	VIC	415086N
49413	VIC	470625	49475	VIC	474253	49526	VIC	481644	49607	VIC	417487
49414	VIC	472475	49476	VIC	450117	49527	VIC	340413	49608	VIC	456105
49415	VIC	471829	49476	VIC	472572	49529	VIC	340787	49609	VIC	471567
49417	VIC	470403	49477	VIC	473016	49530	VIC	40566S	49610	VIC	472636
49417	VIC	470774	49478	VIC	473243	49531	DANA	4525V	49611	VIC	476283N
49418	VIC	40395	49479	VIC	450313	49531	SPICE	4525V	49612	VIC	471344
49418	VIC	40395S	49479C1	VIC	450313	495311	DANA	4525V	49616	VIC	473238
4941LA	JN-MN	415991	49480	VIC	412871	49533	VIC	41787S	49617	VIC	351487
4941LA	JN-MN	455146	49480	VIC	450329	49534	VIC	473458	49618	VIC	417316
4941LUP	JN-MN	415991	49481	VIC	450039	49535	VIC	8370S	4961G	GOODM	457874
4941LUP	JN-MN	455146	49482	VIC	471264	49540	VIC	483054N	49620	VIC	415016N
4941V	TIMKE	4941V	49483	VIC	450183	49540S	TROS	8160S	49620S	TROS	350936
49420	VIC	453165	49483	VIC	472179	49541	HYST	471750	49624	VIC	417316
49420	VIC	471619	49483	WABCO	240009	49542	VIC	330663	49625TA	TRSCM	417273
49421	VIC	410102	49484	VIC	411376	49542	VIC	472354	49627	VIC	481073
49422	VIC	470358	49484	VIC	455093	49543	VIC	410085	49630	VIC	415442
49422	VIC	473231	49485	SPICE	710565	49543	VIC	470530	496311C91	IH	476283N
49424	VIC	473435	49485	VIC	450040	49546	VIC	415013	496312C1	IH	3591
49426	VIC	417485	49486	VIC	41075S	49546	VIC	415995	49632	VIC	200600
49426C1	VIC	417485	49487	VIC	471760	49547	VIC	472015	49633	VIC	481181
49427	VIC	46997S	49488	VIC	471795	49548	VIC	43086S	49633	VIC	481181N
49428	VIC	411330N	49489	VIC	415302	49552	VIC	2081	4963475	GMC	417205
49429	VIC	475234N	49491	VIC	5865	49552SF	VIC	2081	49635	VIC	340151
49430	VIC	473213	49492	VIC	417485	49554	VIC	472644	49636	VIC	240731
49431	VIC	450467	49494	VIC	3210	49555	VIC	40468	49637	VIC	240736
49432	VIC	410312N	49495	VIC	493291	49557	VIC	470062	49638	VIC	472439
49433	VIC	450307	49499	VIC	417344	49557	VIC	474264	49644	VIC	6090S
49434	VIC	471646	4950	C-R	471442	49560S	TROS	6760S	49646	VIC	3173
49435	VIC	416273	4950	SKF	471442	49561	VIC	417159	49646	VIC	710928
49438	VIC	473463	4950	TIMKE	4950	49563	VIC	6241S	49647	VIC	475380N
49439	VIC	473457	49501	VIC	418028	4956537700	HYUND	710221	49649	VIC	6988H
4943B	JN-MN	473420	49501	VIC	455137	49566	VIC	415003	49653	VIC	471571
49440	VIC	472394	49503	VIC	450082	49566	VIC	415458	49654	VIC	350954
49442	VIC	472394	49503	VIC	473238	49567	VIC	410059	49654	VIC	470954
49444	VIC	410085	49504	VIC	418028	49567	VIC	470380	49655	VIC	351267
49444	VIC	470530	49504	VIC	455137	49570	VIC	470403	49655	VIC	471267
49445	VIC	471689	495045	WHITE	470004	49570	VIC	470774	49656	VIC	40401
49446	VIC	415001	49505	VIC	470163	49572	VIC	6460S	49657	VIC	410987
49447	VIC	40576S	49505	VIC	471766	49573	VIC	450776	49657	VIC	450686
49448	VIC	40140S	49507	VIC	450335	49575	VIC	470351	49659	VIC	473235
49449	VIC	353141	49508	VIC	410101N	49575	VIC	471504	4965961	GMC	417254
49451	VIC	410316	49509	VIC	452554N	49577	VIC	450776	49663	VIC	471316
49451	VIC	472636	4950D5	DIA	476574N	49578	VIC	240356	4966340	GMC	417273
49452	VIC	475012N	49510	VIC	323138	49579	VIC	340151	49666	VIC	410737
49453	VIC	415009	49512	VIC	410737	49582	VIC	450444	496679C1	IH	450316
49453	VIC	475009N	49512	VIC	450737	49582	VIC	471835	496679C1	IH	472636
49454	VIC	6835S	49514	VIC	471820	49583	VIC	450539	49668	VIC	450117
49457	VIC	471787	49515	VIC	350954	49584	VIC	410101N	49668	VIC	472572
49458	VIC	450025	49515	VIC	470954	49585	VIC	440265	496680C1	IH	472164V

INTERCHANGE SECTION

COMPETITIVE INTERCHANGES



Mfr No.	Mfr. National	Mfr No.	Mfr. National	Mfr No.	Mfr. National	Mfr No.	Mfr. National
496680C1	IH 482164N	49738	VIC 39302	49846	VIC 370349A	49915	VIC 416130
49669	VIC 450143	49739	VIC 203034	49846	VIC 380036A	49916D	IH 417351
49671	VIC 340400	49740	TROS 5414	49848	VIC 415023	49916D	IH 455154
49672	VIC 200354	49740	VIC 472179	4985	C-R 471442	49917	VIC 415058
49674	VIC 416664	49741	VIC 6818	4985	SKF 471442	49920	C-R 3492V
49674	VIC 455364	49742	VIC 353120	49852	VIC 417355	49920	SKF 3492V
49675	VIC 471466	49743	VIC 9613S	49853	VIC 415021	49920	VIC 456618
49676	VIC 6336S	49744	VIC 6879H	49856	VIC 415991	49927	C-R 39801
49686	VIC 471192	49745	VIC 7581H	49856	VIC 455146	49927	SKF 39801
49687	VIC 340413	49746	VIC 6840S	49860	VIC 415437	49928	C-R 415725
49688	VIC 240414	49747	VIC 9613S	49860	VIC 455173	49928	SKF 415725
49689	VIC 340356	49748	VIC 6985	49865	VIC 416229	49929	C-R 415725
4968SS	JN-MN 340797	49749	VIC 6785	49866	VIC 455022	49929	SKF 415725
49690	VIC 471224	49760	NEWPR 710627	49867	VIC 415284	49931	DANA 100552
49692	VIC 351267	49761S	TROS 471765	49868	VIC 415041	49931	SPICE 100552
49692	VIC 471267	49767	VIC 7600S	49869	VIC 416047	49932	VIC 5401
49693	VIC 240735	4976LPD	JN-MN 472234	49869	VIC 416332	49933	VIC 5403
49695	VIC 450095	4978410	C-R 710906	49870	VIC 416345	49935	C-R 39801
49695	VIC 473464	4978410	SKF 710906	49870	VIC 455033	49935	SKF 39801
49696	VIC 470120	49792	VIC 455249	49871	VIC 415187	49937	VIC 415351
49696	VIC 471224	49794	VIC 417171	49872	VIC 416888	49938K	IH 471747
49697	VIC 6847S	49796	VIC 418028	49872	VIC 455200	49938K	IH 472674
49699	VIC 6370N	49796	VIC 455137	49873	VIC 416892	49939	VIC 417541
4969LA	JN-MN 470548	4980	C-R 471442V	49874	VIC 417538	4994	HU-WR 415035
4969LA	JN-MN 470625	4980	SKF 471442V	49876	VIC 417546	4994	HU-WR 415953
497750	ELRNG 710363	49800	VIC 417487	49877	VIC 416107	49941	VIC 417506
49701	VIC 340797	49800	VIC 455086	49877	VIC 455073	49943	VIC 416125
49702	VIC 410987	49805	VIC 415371	49878	VIC 416666	49944887	ALLCH 416130
49703	VIC 472560N	49806	VIC 415025	49879	VIC 416476	49947	VIC 6638S
49703	VIC 50151S	4980629	GMC 416294	49879	VIC 455075	49948	VIC 6635S
49705	VIC 6703S	49807	VIC 415027	49881	VIC 415124	49949	VIC 417353
49707	VIC 7600S	49807	VIC 455027	49882	VIC 55028	49953	VIC 370002A
49709	VIC 472179	49808	VIC 415043	49883	VIC 416229	49958	VIC 416297
4970LA	JN-MN 450067	49809	VIC 415072	49884	VIC 417356	49958A	OSHKO 417247
4970LA	JN-MN 473228	49812	VIC 455035N	49884	VIC 455188	49959	VIC 471760
49711	VIC 8139	49815	VIC 415196	49885	VIC 415058	49960	C-R 417584
49713	VIC 6712NA	49815	VIC 416380	49888	VIC 417507	49960	SKF 417584
49715	VIC 6636S	49816	VIC 417537	49888	VIC 455513	49962	VIC 471267
49716	VIC 471344	49818	VIC 415034	49889926	ALLCH 470351	49963	VIC 370002A
49717	VIC 471643	49818	VIC 455034	4988LA	JN-MN 471652	49966	C-R 416865
49718	VIC 451078	4981V	TIMKE 4981V	4989	TIMKE 4989	49966	SKF 416865
49719	VIC 342517	49821	VIC 455134	49891	VIC 416070	49966	VIC 471763
49720	VIC 473234	49822	VIC 45637S	49893	VIC 7208S	49967	VIC 327303
49722	VIC 473461	498281	WHITE 472705	49894	VIC 415394	49968	VIC 415064
49723	VIC 340151	49829	VIC 456865N	49896	VIC 415137	49969	VIC 5313
49723	VIC 352560	49830	VIC 5751	49896	VIC 418028	4996B	JN-MN 471354
49725	VIC 7929S	49831	VIC 415066	4990	C-R 471442	49971	VIC 6329S
49727	VIC 2291	49833	VIC 415437	4990	SKF 471442	49971906	ALLCH 471554
49727	VIC 417621	49834	VIC 417516	4990	TIMKE 4990	4997LA	JN-MN 415138
4972785	GMC 415035	49835	VIC 417223	49901	VIC 370022A	49984	C-R 416865
4972785	GMC 455035	49836	VIC 415351	49901	VIC 380022A	49984	SKF 416865
49729	VIC 472319	49837	VIC 370019A	49902	VIC 417518	49985	C-R 416865
49731	VIC 470954	4984	C-R 471442	49904	VIC 6358	49985	SKF 416865
49733	VIC 410308	4984	SKF 471442	49909	VIC 415697	49990	C-R 456865N
49733	VIC 473468	49841	VIC 455189	49909	VIC 455547	49990	SKF 456865N
49734	VIC 474131	49843	VIC 415085	49910	VIC 412473	49993	VIC 345035
49735	VIC 6703S	49843	VIC 456648	49910	VIC 415894	49994	HYST 472951
49736	VIC 6781	49844	VIC 416125	49911	VIC 416339	49994	HYST 474252
49737	VIC 450194	49845	VIC 415138	49911	VIC 455031	49995	VIC 415991
49737	VIC 473010	49846	VIC 370036A	49912	VIC 6270	49996	VIC 415991

INTERCHANGE SECTION

COMPETITIVE INTERCHANGES

Mfr No.	Mfr.	National	Mfr No.	Mfr.	National	Mfr No.	Mfr.	National	Mfr No.	Mfr.	National
49996	VIC	455146	4C4O1177BA	FORD	380003A	4E15000	HU-WR	471692	4H9836	CATER	450069
49998	C-R	416865	4C4O1177CA	FORD	370065A	4E15001	HU-WR	450082	4H9836	CATER	473232
49998	SKF	416865	4C4O1177CA	FORD	380065A	4E15001	HU-WR	473238	4H9836	WESTR	450069
49998	VIC	417355	4C4O1177DA	FORD	370003A	4E15002	HU-WR	413247	4H9836	WESTR	473232
49998	VIC	485497	4C4O1177DA	FORD	380003A	4E15002	HU-WR	450350	4J2683	CATER	470565
49KH257	MACK	713750	4C4O1177EA	FORD	370169A	4E15003	HU-WR	415449	4J3043	CATER	471466
4A0412	WHITE	417563	4C4O1190AA	FORD	370150A	4E15003	HU-WR	455147	4J3923	CATER	471224
4A0598625	VW	1962	4C4O1190BA	FORD	370001A	4E15010	HU-WR	415379	4J6716	CATER	471539
4A0598625A	AUDI	1962	4C4O1190BA	FORD	380001A	4E15010	HU-WR	455379	4J7441	CATER	471413
4A143	FAIRB	471571	4C4O1190CA	FORD	370001A	4EQB0644	WHITE	415458	4J7557	CATER	471554
4A322	C-R	155PKG	4C4O1190CA	FORD	380001A	4EQB0644	WHITE	455003	4J793	CATER	470680
4A322	SKF	155PKG	4C4O1190DA	FORD	370150A	4F2090	CATER	416364	4J793	CATER	471570
4A5X328	FWD	5M466	4C4Z1177AC	FORD	370023A	4F2103	CATER	415938	4J8980	CATER	710013
4AK084	WHITE	475012N	4C4Z1177AC	FORD	380023A	4F2285	CATER	471532	4J8982	CATER	710014
4AR72510121	IH	473466	4C4Z1177BB	FORD	370003A	4F2E6700AA	FORD	2692	4JA108	STERL	417352
4B1241	WHITE	470163	4C4Z1177BB	FORD	380003A	4F2Z6700AA	FORD	712692	4JA108	STERL	418028
4B1241	WHITE	471766	4C4Z1177CB	FORD	370065A	4F4584	CATER	470954	4JA109	STERL	416345
4B2225	CATER	471137	4C4Z1177CB	FORD	380065A	4F4584	CATER	480954	4JA109	STERL	455033
4B2396	CATER	473460	4C4Z1177DB	FORD	370003A	4F4780	CATER	415295	4JA16	STERL	411253
4B2396	WESTR	473460	4C4Z1177DB	FORD	380003A	4F4896	CATER	450069	4JA16	STERL	450099
4B3421	CATER	450117	4C4Z1177EB	FORD	370169A	4F4896	CATER	473232	4JA19	STERL	415379
4B3421	CATER	472572	4C4Z1190AA	FORD	370150A	4F5122	CATER	416476	4JA19	STERL	455379
4B3675	CATER	472179	4C4Z1190BA	FORD	370001A	4F5122	CATER	455075	4JA21	STERL	415449
4B4026154	MAZDA	223550	4C4Z1190BA	FORD	380001A	4F549	CATER	411394	4JA21	STERL	455147
4B4371	CATER	415027	4C4Z1190CA	FORD	370001A	4F549	CATER	450317	4JB36	STERL	416921
4B4371	CATER	455027	4C4Z1190CA	FORD	380001A	4F6888	CATER	450412	4JB36	STERL	455011
4B4529	CATER	416011	4C4Z1190DA	FORD	370150A	4F7500	CATER	417525	4K1372	CATER	471692
4B4529	CATER	417621	4D1608	CATER	450593	4F7Z6700AA	FORD	712692	4K4114	CATER	471267
4B4865	CATER	473016	4D2657	CATER	471267	4FD0644	WHITE	415023	4K4320	CATER	472020
4B4967	CATER	415013	4D3034	CATER	455117	4FE0644A	WHITE	416288	4K4376	CATER	476470
4B4967	CATER	415995	4D3587	CATER	416339	4FE0936	WHITE	415458	4K4390	CATER	411500
4B5171	CATER	7208S	4D3587	CATER	455031	4FE0936	WHITE	455003	4K4845	CATER	473214
4B5432	CATER	450536	4D6592	CATER	472164	4FKA084	WHITE	415001	4K4845	JOHND	473214
4B5432	CATER	471535	4D6996	CATER	415227	4FKW084	WHITE	475009N	4K5076	CATER	470954
4B8024	CATER	417344	4D8576	CATER	471271	4FKW08	WHITE	475009N	4K5438	CATER	473244
4B8024	CATER	455006	4DG0383	WHITE	450066	4G0383	WHITE	410102	4K7461	CATER	416888
4B8024	WESTR	417344	4DG0383	WHITE	473367	4G0395	WHITE	450076	4K7461	CATER	455200
4B8024	WESTR	455006	4DG0395	WHITE	450118	4G0395	WHITE	470334	4K7462	CATER	416345
4B8396	CATER	415036	4DG0395	WHITE	473449	4G432710483	ASTON	225530	4K7462	CATER	455033
4B9371	CATER	415027	4DK0644	WHITE	470088	4G432710604	ASTON	710279	4K7463	CATER	417350
4B9371	CATER	455027	4DKB0644	WHITE	450082	4G434210267	ASTON	710487	4K7463	CATER	455479
4B9372	CATER	416339	4DKB0644	WHITE	473238	4G434210979	ASTON	224460	4K9610	CATER	415995
4B9372	CATER	455031	4E12560	HU-WR	450441	4G437A238AA	ASTON	224510	4K9610	CATER	455013
4BB476	STERL	415449	4E12560	HU-WR	471341	4G437Z036AA	ASTON	710780	4L347E182AA	FORD	710690
4BB476	STERL	455147	4E12564	HU-WR	474278	4GCT0396	WHITE	411500	4L4360	CATER	455121
4BL0412	WHITE	370036A	4E12564	HU-WR	480356	4GCT0936	WHITE	411500	4L5Z7052AA	FORD	2655
4BL0412	WHITE	370349A	4E13392	HU-WR	415294	4GE0395A	WHITE	415137	4L6942	CATER	471224
4BL0412	WHITE	380036A	4E13392	HU-WR	455294	4GE0395A	WHITE	418028	4L7019	CATER	6863S
4BL084	WHITE	470059	4E13457	HU-WR	416345	4GE0618	WHITE	417159	4L7248	CATER	415984
4BL084	WHITE	470380	4E13457	HU-WR	455033	4GE0618A	WHITE	417159	4L7336	CATER	415437
4BM0412	WHITE	5751	4E13759	HU-WR	417343	4GE0936	WHITE	412119	4LD482	WITTE	411245
4BM0470	WHITE	473215	4E13760	HU-WR	415036	4GE0936	WHITE	450101	4LD482	WITTE	455096
4BM084	WHITE	473215	4E13872	HU-WR	415991	4GEO395	WHITE	415137	4M2343	CATER	470774
4C1R7048AA	FORD	711027	4E13872	HU-WR	455146	4GEO395	WHITE	418028	4M2444	CATER	415213N
4C3W1177BA	FORD	370247A	4E14664	HU-WR	450441	4GTCO396	WHITE	411500	4M5G6K292CB	FORD	711001
4C3W1177AA	FORD	370247A	4E14664	HU-WR	471341	4H1722	CATER	471281	4M9148	CATER	470163
4C3Z1S177A	FORD	370247A	4E14766	HU-WR	474278	4H1723	CATER	471442	4M9148	CATER	471766
4C4O1177AA	FORD	370023A	4E14766	HU-WR	480356	4H572	CATER	472397	4M9149	CATER	450185
4C4O1177AA	FORD	380023A	4E14999	HU-WR	450040	4H8101	CATER	415995V	4M9149	CATER	473229
4C4O1177BA	FORD	370003A	4E15000	HU-WR	470189	4H9484	CATER	472572	4N0636	CATER	471224

INTERCHANGE SECTION

COMPETITIVE INTERCHANGES



Mfr No.	Mfr.	National	Mfr No.	Mfr.	National	Mfr No.	Mfr.	National	Mfr No.	Mfr.	National
4N0848	CATER	J1842	4WB156	STERL	416229	54122	IPS	1962	5010196	TRMBL	370025A
4N1584	CATER	471649	4X5763	CATER	455191	54128	IPS	473238	50101C	TRMBL	370025A
4N636	CATER	471224	4ZDK0395	WHITE	450083	54129	IPS	473238	50101B	TRMBL	370025A
4N848	CATER	J1842	4ZDK0395	WHITE	472924	5860073010	ISUZU	4901	5030074900	GOETZ	222020
4NFG0395	WHITE	415001	5184441	FORD	223750	5860073130	HONDA	320595	5030107800	GOETZ	222820
4NFG0395	WHITE	455001	50070	SKF	204509	5860073140	HONDA	320595	5030115600	GOETZ	223005
4NFG0395A	WHITE	415001	5096250020	ISUZU	473258	5860073150	HONDA	320595	5030190700	GOETZ	224235
4NFG0395A	WHITE	455001	5096250220	ISUZU	224205	5862048150	ISUZU	224053	5030192000	GOETZ	224250
4NK0730	WHITE	450085	5096250290	ISUZU	227040	5862048160	ISUZU	224053	5030318550	GOETZ	3476
4NK0730	WHITE	470530	5096250340	ISUZU	221720	5862048170	ISUZU	224053	5030336300	GOETZ	222820
4NK084	WHITE	415960	5096250360	ISUZU	228480	5862048180	ISUZU	224053	5030527600	GOETZ	710190
4NK084	WHITE	455009	5096250531	ISUZU	222860	5862048190	ISUZU	224053	5030553800	GOETZ	710681
4P1142	ADAMS	416921	5096250532	ISUZU	222860	5862048200	ISUZU	712009	5030591050	GOETZ	710289
4P1142	ADAMS	455011	5096250538	ISUZU	222860	5862068180	ISUZU	224052	5030591450	GOETZ	710288
4P1355	ADAMS	471137	5096250590	ISUZU	224045	5862068190	ISUZU	228015	5030594050	GOETZ	713087
4P1355	WABCO	471137	5096250640	ISUZU	710167	5862074860	ISUZU	228015	5030604550	GOETZ	710288
4P1569	ADAMS	450593	5096250790	ISUZU	225020	5865059370	ISUZU	710295	5030606750	GOETZ	710618
4P1569	LETN	450593	5096250830	ISUZU	712005	5865135570	ISUZU	710052	5030609150	GOETZ	229005
4P2524	ADAMS	471744	5096250920	ISUZU	710147	5X328	KEN	5M466	5030621170	GOETZ	3774
4P2524	LETN	471744	5096252800	ISUZU	712005	5X328	MERIX	5M466	5030622250	GOETZ	716484
4P2524	WABCO	471744	5096250021	ISUZU	473258	5X328	ROCKW	5M466	5030622350	GOETZ	710332
4P2723	CATER	39887	5096250180	ISUZU	1990	5002842300	GOETZ	710550	5030626150	GOETZ	710232
4P2734	CATER	39888	53014	IPS	1949	50101107A	TRMBL	370036A	5030636400	GOETZ	224010
4PA6	STERL	418028	53015	IPS	1196	50101107B	PUL	370065A	5030655150	GOETZ	710824
4PA6	STERL	455137	53016	IPS	494122	50101107C	PUL	370338A	5030655200	GOETZ	710237
4R1978	GMC	415683	53017	IPS	474134	50101107D	PUL	376590A	5030655350	GOETZ	710403
4R26	CATER	416273	53023	IPS	1183	50101107E	PUL	370003A	5030662200	GOETZ	231003
4R32	CATER	415379	53025	IPS	1188	50101107F	PUL	370007A	5030669550	GOETZ	223542
4R32	CATER	455379	53028	IPS	2002	50101107G	PUL	370018A	5030670400	GOETZ	710399
4R337052AA	FORD	710802	53029	IPS	4990	50101107H	PUL	370020A	5030679950	GOETZ	710290
4R337052CA	FORD	221410	53031	IPS	4990	50101107J	PUL	370022A	5030705080	GOETZ	710580
4R3Z7052AA	FORD	710802	53036	IPS	1999	50101107K	PUL	370015A	5030706350	GOETZ	227409
4R3Z7052CA	FORD	221410	53038	IPS	472213	50101107L	PUL	370107A	5031901000	GOETZ	710613
4R526	CATER	470027	53039	IPS	223535	50101107M	PUL	370349A	5031902310	GOETZ	710803
4R526	CATER	471554	53041	IPS	1992	50101107N	PUL	370001A	5031910900	GOETZ	239146
4R8831	CATER	39882	53048	IPS	1943	50101107P	PUL	370006A	5031916100	GOETZ	1108
4S6752	CATER	2791	53092	IPS	224015	50101107R	PUL	370012A	5031917300	GOETZ	716484
4S7756	CATER	471442	53093	IPS	1950	50101107T	PUL	370019A	5031917900	GOETZ	229005
4S9006	CATER	710019	53099	IPS	480630	50101107U	TRMBL	370021A	5031918300	GOETZ	716102
4SC28CR	DEMPC	340927	53099	IPS	480991	50101107V	PUL	370023A	5031920400	GOETZ	710681
4SK0730	WHITE	450316	53109	IPS	1209	50101107W	TRMBL	370030A	5031920700	GOETZ	224235
4SK0730	WHITE	472636	53111	IPS	1984	5010116	TRMBL	370036A	5031926600	GOETZ	710308
4SK08	WHITE	475012N	53113	IPS	482126	5010116	TRMBL	370349A	5031927300	GOETZ	228008
4SK084	WHITE	475012N	53116	IPS	444116	5010116D	TRMBL	370036A	5031928900	GOETZ	710415
4TA17	STERL	415458	53142	IPS	5696	5010116D	TRMBL	370349A	5031932300	GOETZ	710550
4TA17	STERL	455003	54004	IPS	1962	5010123	TRMBL	370036A	5031933400	GOETZ	223020
4TCP084	WHITE	476283N	54009	IPS	472164	5010123	TRMBL	370349A	5031935200	GOETZ	710790
4U01430	WHITE	475012N	54014	IPS	473812	5010123D	TRMBL	370036A	5031935400	GOETZ	710669
4UG0730	WHITE	450291	54015	IPS	473179	5010123D	TRMBL	370349A	5031936700	GOETZ	711002
4UG0730	WHITE	471141	54032	IPS	1167	501013	TRMBL	370036A	503193800	GOETZ	1172
4UG084	WHITE	415086N	54036	IPS	223014	501013	TRMBL	370349A	5031938800	GOETZ	716484
4UG084	WHITE	417487	54041	IPS	473823	5010154	TRMBL	370065A	5031938900	GOETZ	229005
4UK084	WHITE	415960	54044	IPS	3395	5010154	TRMBL	376590A	5031939200	GOETZ	224200
4UK084	WHITE	455009	54047	IPS	494117	5010180A	TRMBL	370025A	5031939600	GOETZ	710812
4W0452	CATER	39885	54056	IPS	494117	5010180B	TRMBL	370025A	5031940600	GOETZ	223035
4W2606	CATER	39900	54064	IPS	473234	5010180C	TRMBL	370025A	5031942300	GOETZ	320348
4W2607	CATER	39899	54093	IPS	224015	5010180D	TRMBL	370025A	5031943000	GOETZ	710618
4W8133	CATER	39890	54099	IPS	1960	5010180F	TRMBL	370025A	5031943300	GOETZ	3476
4W8134	CATER	39889	54100	IPS	1956	5010194	TRMBL	370025A	5031943400	GOETZ	710617
4WB151	STERL	415090	54101	IPS	1959	5010195	PUL	370037A	5031943700	GOETZ	710813

INTERCHANGE SECTION

COMPETITIVE INTERCHANGES

Mfr No.	Mfr.	National	Mfr No.	Mfr.	National	Mfr No.	Mfr.	National	Mfr No.	Mfr.	National
5031944100	GOETZ	710600	500135	MACK	410312N	500316075	TROS	415034	500625	FAIRB	416865
5031944200	GOETZ	223750	5001363A	WHITE	J1103	500316075	TROS	455034	500625	FAIRB	455070
5031944800	GOETZ	710848	5001377A	WHITE	J1107	50032	NOVI	330385	500625	UNIVE	416865
5031945000	GOETZ	710056	500143	CHRYS	450316	500320	HU-WR	416125	500625	UNIVE	455070
5031946900	GOETZ	710799	500143	CHRYS	472636	500320	MINMA	416125	500640	SELAS	5108
5031947000	GOETZ	223020	500144	SELAS	5117	500320075	TROS	455024	500650	UNIVE	417541
5031948000	GOETZ	710790	50015	GEM	450352	500321	NOVI	340385	500675	WHITE	470334
5031948100	GOETZ	710788	50015	GEM	472164	500324	GOODM	416339	500675	WHITE	50289
5031949900	GOETZ	710465	500151	CONTI	412119	500324	GOODM	455031	50068	IRON	471192
5031953700	GOETZ	710764	500151	CONTI	450101	500324	GR-DV	416339	500680	WHITE	416125
5031955100	GOETZ	711007	50015A	GEM	450389	500324	GR-DV	455031	500683	WHITE	473460
50S350	LETN	413247	50015A	GEM	472492	500324075	TROS	415025	50069	IRON	472658
50S350	LETN	450350	500169E	OLIVE	204002	500325	NOVI	240385	50069	IRON	473197
50S441	LETN	450441	500169E	WHITE	204002	500326	NOVI	472810	500690E	OLIVE	471424
50S441	LETN	471341	50017	HYST	473405	500327	NOVI	350936	500690E	WHITE	471424
50S476	LETN	471344	500170	SELAS	5116	500328	B-L-H	416345	50070	C-R	204509
500	UNIVE	416865	500176	OLIVE	416654	500328	B-L-H	455033	50070	IRON	473215
500	UNIVE	455070	500176	OLIVE	455012	500328	FAIRB	416345	50072	GARLK	471526
50000	CHRYS	471466	500178E	WHITE	204027	500328	FAIRB	455033	500725	CEMAC	455018
500007	CHRYS	471466	5001871290	RENAU	710434	500332075	TROS	415027	500725	CEMAC	476470
500007	GMC	471466	500188905	EATON	471466	500336075	TROS	55028	500728	CEMAC	450083
500010901	EATON	411245	500208	BOWEN	417546	50033608	TROS	55028	500728	CEMAC	472924
500010901	EATON	455096	500213	NAPCO	416404	500340075	TROS	370011A	500735	CEMAC	471192
500010901	Y-T	411245	500223	FT-WA	471103	500340115	TROS	416125	500736	CEMAC	450066
500010901	Y-T	455096	500223	FT-WA	50197S	5003408AA	CHRYS	2506	500736	CEMAC	473367
500010902	EATON	472439	500226	GMC	470954	5003408AA	MOPAR	2506	500750	C-R	370002A
500010902	Y-T	472439	500238	CHRYS	417357	5003419AA	CHRYS	710496	500750	SKF	370002A
500012	CONTI	470027	500238	CHRYS	455192	5003419AA	MOPAR	710496	500755	OLIVE	471442
500012	CONTI	471554	500241	CHRYS	471567	500344075	TROS	55030	5007555	FORD	224235
500022	GMC	471689	500241	CONTI	471567	5003464AA	CHRYS	4250	500778	WHITE	470950
500026	BL-KN	472560N	500254	ALLCH	450095	500348075	TROS	416339	500778	WHITE	6241S
500026	BL-KN	50151S	500254	ALLCH	473464	500348075	TROS	455031	500783	CONTI	455024
500026901	WHITE	J1127	500257	GMC	5070	50034810	TROS	416339	500799	WHITE	455005
5000273409	RENAU	223010	500262	CHRYS	417196	50034810	TROS	455031	5008	C-R	324234V
500039	NAPCO	450073	500263	GMC	415379	50035	CLARK	450365	5008	SKF	324234V
500046	GMC	5872S	500263	GMC	455379	50035	CLARK	470898	50081	GARLK	471472
500046	OLIVE	5872S	500263	MASSE	415379	500356075	TROS	416345	50081	TIMKE	50081
500046	WHITE	5872S	500263	MASSE	455379	500356075	TROS	455033	500894	CHRYS	450291
500048	CHRYS	471192	500274	GMC	415045	500360075	TROS	415034	500894	CHRYS	471141
500048	CONTI	471192	500282	CHRYS	416865	500360075	TROS	455034	5009	NATL	471141
500050101	WHITE	J1121	500282	GMC	416865	5003600X01	WHITE	470380	50092	SPICE	710482
500061	B-L-H	450067	500286	CHRYS	471765	50038	GR-DV	415023	5010107A	PUL	370036A
500061	B-L-H	473228	500286	CONTI	471765	500400075	TROS	415035	5010107U	PUL	370021A
500063	ALLCH	410190	500287	CEMAC	450085	500400075	TROS	415953	5010107W	PUL	370030A
50006901	WHITE	J1127	500287	CEMAC	470530	500483	C-R	370030A	501028	MAGAM	471255
5000876C	WHITE	473214	500298	NAPCO	415437	500483	SKF	370030A	50105	NATL	414045
500089401	WHITE	473464	500298	NAPCO	455173	500485	GMC	450173	5010B	JN-MN	470088
5000894B	WHITE	473464	5003	FAIRB	455019	500509902	EATON	417082	5011035	WOOL	455480
500090	NAPCO	470120	500300075	TROS	455019	500591	C-R	370023A	50113	TROS	417353
500090	NAPCO	471224	500308075	TROS	415021	500591	C-R	380023A	50115	ESSIC	450441
5000938A	WHITE	J1128	500310	GOODM	455024	500591	SKF	370023A	50115	ESSIC	471341
500094	WHITE	450291	500310K	GOODM	455024	500591	SKF	380023A	501196	SELAS	2146
500094	WHITE	471141	500312	GR-DV	415025	500596	C-R	370036A	501197	SELAS	2146
5000978A	WHITE	J1138	500312075	TROS	370012A	500596	C-R	370349A	5011LA	JN-MN	416011
500117701	WHITE	471570	500316	B-L-H	415027	500596	C-R	380036A	5011LA	JN-MN	417621
5001177B	WHITE	471570	500316	B-L-H	455027	500596	SKF	370036A	5011LUP	JN-MN	416011
500118001	WHITE	472164	500316	CABOT	415027	500596	SKF	370349A	5011LUP	JN-MN	417621
5001180B	WHITE	472164	500316	CABOT	455027	500596	SKF	380036A	5012115AA	CHRYS	4638N
500122	GMC	5877	500316	GOODM	415027	50060	GARLK	471442	501229	C-R	340495
500134	SELAS	5118	500316	GOODM	455027	500600	UNIVE	415725	501229	SKF	340495

INTERCHANGE SECTION

COMPETITIVE INTERCHANGES



Mfr No.	Mfr.	National	Mfr No.	Mfr.	National	Mfr No.	Mfr.	National	Mfr No.	Mfr.	National
5012290AA	CHRY	39803	5015705AA	MOPAR	710473	50195	NATL	470195	502565	CONTI	450078
5012290AA	JEEP	39803	5015847AA	CHRY	710657	50195	SKF	417545	502565	CONTI	473444
50124	C-R	370028A	5015847AA	JEEP	710657	501962	CONTI	481650	5026	TIMKE	5026
50124	C-R	370069A	5015847AA	MOPAR	710657	501963	CONTI	450025	502639	CONTI	471192
50124	C-R	380069A	50167	C-R	8126S	501963	CONTI	471553	502649	AVCO	471192
50124	SKF	370028A	50167	SKF	8126S	501964	CONTI	410520	502649	CONTI	471192
50124	SKF	370069A	5016760AA	CHRY	7300S	501964	CONTI	471272	502649	H-S	471192
50124	SKF	380069A	50168	C-R	417542	501969	CONTI	450431	50266	TIMKE	50266
5012454AA	CHRY	5778	50168	DANA	4525V	501969	CONTI	471539	50269	CLARK	450083
5012454AA	CHRY	5778V	50168	SKF	417542	50197S	TIMKE	50197S	50269	CLARK	472924
5012454AA	JEEP	5778	50168	SPICE	4525V	5019843AA	CHRY	100715V	5026LA	JN-MN	470163
5012454AA	JEEP	5778V	501690911AM	CHALL	471272	5019843AA	MOPAR	100715V	5026LA	JN-MN	471766
5012454AB	CHRY	5778	501690993	CHALL	415303	50199S	NATL	6863S	5027	TIMKE	5027
5012454AB	CHRY	5778V	5016LA	JN-MN	416891	502	UNIVE	417546	502726	ALLCH	411253
5012454AB	JEEP	5778	50172	C-R	417542	50200	NATL	320457	502726	ALLCH	450099
5012454AB	JEEP	5778V	50172	SKF	417542	502000	CONTI	416956	50279	CLARK	470163
5012454AB	MOPAR	5778	50175	TROS	7600S	50201	GARLK	471466	50279	CLARK	471766
5012454AB	MOPAR	5778V	50176	AM WH	417316	502021	CHRY	475003N	5027LUP	JN-MN	415563
50126	TIMKE	50126	50177	AM WH	50528	502021	CONTI	415458	5027LUP	JN-MN	417433
5012813AA	CHRY	714675	501811E	MINNM	471887	502021	CONTI	455003	50280	CLARK	473243
5012813AA	JEEP	714675	501811E	OLIVE	471887	502021	H-S	415458	502832	NAPCO	471341
5012813AA	MOPAR	714675	5018200	CALI	417223	502021	H-S	455003	50289	TIMKE	50289
5012824AA	CHRY	2146	50183	ESSIC	450183	502038	CONTI	417158	50290	TROS	472492
5012824AA	MOPAR	2146	50183	ESSIC	472179	502038	CONTI	455355	50292	TROS	473238
5012846AA	CHRY	719316	501847	C-R	471076	50207	NATL	470207	502929800	EATON	473231
5012846AA	JEEP	719316	501847	SKF	471076	502083	CONTI	471466	502993	C-R	470236
5012846AB	CHRY	5778V	50185	C-R	417544	502083	H-S	471466	502993	SKF	470236
5012846AB	JEEP	5778V	50185	SKF	417544	502090M1	MASSE	470543	50299S	TROS	473241
5012846AB	MOPAR	5778V	501854	CHRY	472432	502090M1	MASSE	474272	5030128	EATON	473237
50130	C-R	417278	501854	CHRY	474256	502100	CONTI	471648	503044R1	BUC-E	412040
50130	SKF	417278	5018594AA	CHRY	5174	502104	AVCO	471765	50322R1	IH	6090S
5013019AA	CHRY	710835	5018594AA	JEEP	5174	502104	CONTI	471765	50327	TIMKE	50327
5013019AA	DTCOM	710835	5018594AB	CHRY	5174	502104	H-S	471765	50328	ESSIC	470328
5013019AA	MOPAR	710835	5018594AB	JEEP	5174	502104	HERCU	471765	50328	ESSIC	481213
5013019AB	CHRY	710835	5018594AB	MOPAR	5174	502110	SKF	417603	50331	HYST	473473
501350	C-R	340797	5019020AA	CHRY	710627	502126	CONTI	471192	503495	C-R	450588
501350	SKF	340797	5019020AA	JEEP	710627	50213	GARLK	471264	503495	SKF	450588
501379E	OLIVE	450765	5019020AB	CHRY	710627	50216S	TROS	455037	503549	ALLCH	450291
501379E	WHITE	450765	5019020AB	JEEP	710627	502192	CONTI	470169	503549	ALLCH	471141
5014046AA	CHRY	710597	5019020AB	MOPAR	710627	502192	CONTI	473214	50356	NATL	474278
5014046AA	JEEP	710597	5019026AA	CHRY	710660	50225	GARLK	471255	50356	NATL	480356
5014046AA	MOPAR	710597	5019026AA	MOPAR	710660	502276	CONTI	450185	50356	WMG	474278
50148	C-R	417541	5019154AA	CHRY	5778	502276	CONTI	473229	50356	WMG	480356
50148	NATL	473463	5019154AA	CHRY	5778V	502280	H-S	240356	5037300AA	CHRY	710698
50148	SKF	417541	5019154AA	JEEP	5778	502285	AVCO	472150	5037300AA	MOPAR	710698
5014852AA	CHRY	710863	5019154AA	JEEP	5778V	502285	CONTI	472150	50381	SPICE	710413
5014852AB	CHRY	710863	501922903	EATON	415213N	502285	H-S	472150	50385S	NATL	240385
5014852AB	MOPAR	710863	501922904	EATON	455134	502285	HERCU	472150	50385S	NATL	330385
5014852AC	CHRY	710863	501923902	Y-T	417366	5022LA	JN-MN	473466	5039	TIMKE	5039
5014852AC	MOPAR	710863	501925901	Y-T	J1127	5022LPD	JN-MN	473466	50391	CLARK	450185
501493	ALLCH	473215	501925902	EATON	J1105	5022LUP	JN-MN	473466	50391	CLARK	473229
5015198AA	CHRY	710565	501925903	EATON	J1111	50230	ESSIC	471689	50393	CLARK	471765
5015198AA	MOPAR	710565	501925905	EATON	J1134	50237	GARLK	471564	503936M1	MASSE	JV1166
50151S	TIMKE	50151S	501925906	EATON	J1132	5023LA	JN-MN	411245	503939M1	MASSE	200851
5015201AA	CHRY	710566	501925908	EATON	J1136	5023LA	JN-MN	455096	50394	CLARK	450444
5015201AA	MOPAR	710566	501925910	Y-T	J1129	502441	AVCO	471567	50394	CLARK	471835
5015214AA	CHRY	223801	501943	CONTI	471651	502441	CONTI	471567	50395	NOK	710262
50156	NATL	350156	501944	CONTI	471267	502441	H-S	471567	50395S	TIMKE	50395S
50156	NATL	473096	501946	CONTI	473414	502441	HERCU	471567	50396	NOK	710263
5015705AA	CHRY	710473	50195	C-R	417545	50245S	HERCU	471795	503VB7	MARI	416865

INTERCHANGE SECTION

COMPETITIVE INTERCHANGES

Mfr No.	Mfr.	National	Mfr No.	Mfr.	National	Mfr No.	Mfr.	National	Mfr No.	Mfr.	National
503VB7	MARI	455070	504636	MAGAM	471554	50569	TROS	472299	5066850AA	CHRY5	223020
504	UNIVE	415645	504637	MAGAM	470120	50574	DANA	100712V	5066850AA	JEEP	223020
504	UNIVE	455104	504637	MAGAM	471224	50574	SPICE	100712V	5066850AB	CHRY5	223020
504003	ROSS	472560N	504637	UNIVE	417546	5057LA	JN-MN	412473	5066850AB	JEEP	223020
504003	ROSS	50151S	504638	MICH	417546	5057LA	JN-MN	415894	5066958AA	CHRY5	223020
504004	ROSS	474278	50468	TIMKE	50468	5058140	TAYLR	415447	5066958AA	JEEP	223020
504004	ROSS	480356	50470	BORGW	472560N	50585	CLARK	240151	506697C1	IH	710006
504005	ROSS	323138	50470	BORGW	50151S	50588	GARLK	471643	5067	C-R	471526
504006	ROSS	40382	50471	BORGW	351267	505892C1	IH	416288	5067	SKF	471526
504007	ROSS	450400	50471	BORGW	471267	505VB7	MARI	416107	50675TA	TRSCM	417542
50405	TIMKE	50405	5047167AA	CHRY5	710767	505VB7	MARI	455073	50678	GARLK	471267
50408	CLARK	450291	5047167AA	JEEP	710767	506	UNIVE	415938	50679	NATL	470954
50408	CLARK	471141	5047372AA	CHRY5	224200	506003A	WHITE	370001A	5068	C-R	471526
504081	C-R	370022A	50476	NATL	471344	506003A	WHITE	380001A	5068	SKF	471526
504081	C-R	380022A	504781	C-R	6936S	50605TA	TRSCM	415725	50687	GARLK	471570
504081	SKF	370022A	504781	SKF	6936S	50606	NATL	470606	5068773	GMC	471686
504081	SKF	380022A	50479SA	Y-T	480479H	50608	SPICE	710624	50688	NATL	410737
50409	CLARK	450291	50480S	NATL	323138	5060D	GOODM	455480	5069	C-R	471526
50409	CLARK	471141	504847	SPICE	370001A	5060LA	JN-MN	450593	5069	SKF	471526
50409	NATL	470409	504847	SPICE	380001A	50610H	IH	471820	5069052AA	CHRY5	710797
50413	NATL	353132	504851	SPICE	370065A	5061100	CALI	415234	5069052AA	MOPAR	710797
5041320	GMC	471466	504851	SPICE	380065A	5061101	CALI	415234	506989	CHRY5	471271
50415	CLARK	450365	504859	SPICE	370025A	50619	DANA	710593	506VB7	MARI	415645
50415	CLARK	470898	504859	SPICE	380025A	50619	SPICE	472015	506VB7	MARI	455104
50417	CLARK	410694	504861	SPICE	370003A	50619	SPICE	710593	5070	TIMKE	5070
504208	BORGW	340151	504861	SPICE	380003A	5061LA	JN-MN	470045	507009E	MINNM	471570
504238	ALLCH	471762	50491	NATL	480491	5061LA	JN-MN	476838	5070888	EATON	415938
504239	ALLCH	450154	50491	SPICE	710493	5062	C-R	471526	5070888	Y-T	415938
504239	ALLCH	473234	50492	SPICE	710453	5062	SKF	471526	507126	C-R	340009S
504239C1	IH	471267	5049B	JN-MN	481864	50625SA	TRSCM	455070	507126	SKF	340009S
50424	CUMMI	473228	504VB7	MARI	417546	50625SA	TRSCM	456865N	50715	GARLK	471646
50424	CUMMI	51098	505293	ELRNG	710334	50625TA	TRSCM	416865	50715	GMC	450085
50424	OLIVE	473228	505000	AT IM	415281N	5062MG	GOODM	415035	50715	GMC	470530
50424	OLIVE	51098	505003	AT IM	352541	5062MG	GOODM	455035	5072	TIMKE	5072
50424	WHITE	473228	50501	SPICE	714675	50635TA	TRSCM	417278	5072265AA	CHRY5	100712V
50424	WHITE	51098	5051B	JN-MN	415458	50637	DANA	100715V	5072265AA	JEEP	100712V
50427	GARLK	470954	5051B	JN-MN	455003	50637	SPICE	100715V	5072265AB	CHRY5	100712V
504275	C-R	710041	50521	CUMMI	472164	5064	TIMKE	5064	5072265AB	JEEP	100712V
504275	SKF	710041	50521	OLIVE	450070	50642	DANA	710461	5072265AB	MOPAR	100712V
504281	C-R	710028	50521	OLIVE	472185	50642	SPICE	710461	5072307AA	CHRY5	710662
504281	SKF	710028	50522	GEHL	472258	50644	GMC	416273	5072307AA	JEEP	710662
504285	C-R	710030	50524	OLIVE	473228	50645TA	TRSCM	417541	5072307AA	MOPAR	710662
504285	SKF	710030	50524	OLIVE	51098	5065	TIMKE	5065	5072473AA	JEEP	710461
50433	GEHL	450431	50525	NATL	471887	50650	C-R	455290	5072473AA	MOPAR	710461
50433	GEHL	471539	50528	TIMKE	50528	50650	SKF	455290	5072896AA	CHRY5	710771
504332	GMC	6064	50531	DANA	710461	5066	C-R	471526	50730	GARLK	470590
50435	NATL	350435	50531	SPICE	710461	5066	SKF	471526	5073564AA	CHRY5	710461
50442	WHITE	410708	505317E	OLIVE	455820	5066	TIMKE	5066	5073564AA	JEEP	710461
50445	TIMKE	50445	505322E	OLIVE	455079	50660	DANA	4434V	5073592AA	CHRY5	710472
50446	GARLK	471554	5053B	JN-MN	417511	50660	SPICE	4434V	5073675AA	CHRY5	710289
5045	C-R	471526	5054601	CALI	416666	5066053AA	CHRY5	710593	5073675AB	CHRY5	710289
5045	SKF	471526	5054621	CALI	455330	5066053AA	MOPAR	710593	5073675AB	JEEP	710289
50458	GARLK	471567	5054821	CALI	415295	5066066AA	CHRY5	710624	5073675AB	MOPAR	710289
5046	C-R	471526	5055403	CALI	415009	5066066AA	MOPAR	710624	5073676AA;	CHRY5	710289
5046	SKF	471526	5055403	CALI	415960	5066446AA	CHRY5	4434V	5073887AA	CHRY5	710812
50460	CLARK	40395	50563	SPICE	100727	5066446AA	JEEP	4434V	5073887AB	CHRY5	710812
50460	CLARK	40395S	50565S	TROS	417352	5066446AA	MOPAR	710461	5073887AC	CHRY5	710812
504631	SPICE	473215	50565S	TROS	418028	506654	C-R	480581	5073944AA	CHRY5	100727
504632	SPICE	450316	50568	TIMKE	50568	506654	SKF	480581	5073944AA	MOPAR	100727
504632	SPICE	472636	50569	TIMKE	50569	5066763AA	CHRY5	710812	5076	NATL	370008A

INTERCHANGE SECTION

COMPETITIVE INTERCHANGES



Mfr No.	Mfr.	National	Mfr No.	Mfr.	National	Mfr No.	Mfr.	National	Mfr No.	Mfr.	National
50764	NATL	470764	5086983AA	CHRY	710563	509578	CATER	473245	51035	THEW	450335
5076546	GMC	470954	5086983AA	MOPAR	710563	50958	ONAN	450269	5103566AA	CHRY	710462
507718	MAGAM	472164	5086LA	JN-MN	412871	50959	ONAN	470027	5103566AB	CHRY	710462
5078684AA	CHRY	710628	5086LA	JN-MN	450329	50959	ONAN	471554	5103601AA	CHRY	710468
5078784AA	CHRY	710628	50878	HYST	450082	5096250022	ISUZU	473258	5103901AA	CHRY	710467
5079B	JN-MN	455022	50878	HYST	473238	509648	ALLCH	471801	5103901AB	CHRY	710467
507VB7	MARI	415938	508831	ALLCH	471785	50965	HYST	455195	510391M1	MASSE	352560
508	UNIVE	416107	50883271	IG-RA	415725	50965	HYST	472157	510391M1	MASSE	472560N
508	UNIVE	455073	5089	NATL	370009A	5098	ONAN	340385	5103LA	JN-MN	417484N
508489	ELRNG	223005	5089	TIMKE	5089	50992	ONAN	471466	5103LA	JN-MN	455322
5080155AA	CHRY	710683	5089	WOODB	471762	5099346AA	CHRY	710813	51040	GARLK	471733
5081	FULLE	416921	5089821	EATON	331228H	5099346AB	CHRY	710813	5104566AA	CHRY	710468
5081	FULLE	455011	5089OSR	JN-MN	455406	5099347AA	CHRY	710813	5104LA	JN-MN	415995
508180	CLARK	450183	508VB7	MARI	417556	5099837AA	CHRY	710758	5104LA	JN-MN	455013
508180	CLARK	472179	5090012	ONAN	450188	5099839AA	CHRY	224250	5104LPD	JN-MN	415836
5081B	JN-MN	415023	5090016	ONAN	472287	509A1	ONAN	470358	5104LPD	JN-MN	415995
5082B	JN-MN	455008	5090045	ONAN	471766	509A1	ONAN	473231	510515	WHITE	370003A
50835610	TROS	370033A	5090046	ONAN	471442	509A11	ONAN	471765	510515	WHITE	380003A
5083952AA	CHRY	223535	5090058	ONAN	450269	509A12S	ONAN	450188	5106	TIMKE	5106
5083953AA	CHRY	223010	5090059	ONAN	471554	509A2	ONAN	470120	510624	MAGAM	470954
50839D	IH	471419	5090087	ONAN	470394N	509A2	ONAN	471224	510678	MAGAM	471801
50839D	IH	473367	5090097	ONAN	471268N	509A41	ONAN	473231	510710	STUDE	473442
50840010	TROS	417356	5090098	ONAN	472658	509A48	ONAN	470605	5107OSR	JN-MN	417362
50840010	TROS	455188	5090098	ONAN	473197	509A59	ONAN	471554	5108	TIMKE	5108
5084SH	JN-MN	340009S	5090138	ONAN	472179	509A64	ONAN	470605	5108219	GMC	205017
5084SS	JN-MN	471466	5090139	ONAN	417474	509A97	ONAN	471268N	5108369A	GMC	205035
5085	C-R	471526	5090300	CALI	415991	509A98	ONAN	472658	51086VX	IH	481864
5085	SKF	471526	5090300	CALI	455146	509A98	ONAN	473197	5108OSR	JN-MN	416888
508587	FWD	415147	509053	C-R	370018A	509B1	ONAN	470358	5108OSR	JN-MN	455200
508587	FWD	415449	509053	SKF	370018A	509B1	ONAN	473231	5109	TIMKE	5109
50860	TROS	471571	50910	ONAN	472560N	509B11	ONAN	471765	51098	TIMKE	51098
5086054AA	CHRY	710771	50910	ONAN	50151S	509B12	ONAN	450188	5110	NATL	370124A
5086054AA	MOPAR	710771	509154C91	IH	370057A	509B16	ONAN	472287	51101	TROS	6785
5086089AA	CHRY	2027	50917	ONAN	470605	509B87	ONAN	473227	511023	MAGAM	473214
50861	TROS	1037	50919	ONAN	410520	509P44	ONAN	471442	511035	WOOL	415295
50862	OLIVE	450083	50919	ONAN	471272	509P46	ONAN	471442	511073	ALLCH	471192
50862	OLIVE	472924	5091933	O-M	470120	509P49	ONAN	473225	5110874	GMC	6329S
5086315AA	CHRY	710652	5091933	O-M	471224	509P50	ONAN	415303	5111035	WOOL	40401
5086341AA	CHRY	710902	5091933	SCOT	470120	509P64	ONAN	470605	51113	GARLK	471652
5086341AA	MOPAR	710902	5091933	SCOT	471224	509VB7	MARI	416666	511144	SKF	417603
5086343AA	CHRY	710653	5092	NATL	3698	50A2402	MINNM	450183	51115	CLARK	450067
5086343AA	MOPAR	710653	5092	TIMKE	5092	50A2402	MINNM	472179	51115	CLARK	473228
50865	AM WH	470163	5092400	CALI	415219	50A2403	MINNM	473227	51117	GARLK	471692
50865	AM WH	471766	5092401	CALI	415219	50X65X8	NATL	1209	5111S	TIMKE	5111S
508650	MICH	415645	5092502	CALI	416154	50X68X8	NATL	1948	51128	GARLK	470712
508650	MICH	455104	5092LA	JN-MN	471763	50X68X8SB	TRSCM	225020	5112808	EATON	472439
508650	UNIVE	415645	5093109	SCOT	471255	51	UNIVE	471535	5113	TIMKE	5113
508650	UNIVE	455104	50934	ONAN	471442	510	UNIVE	417556	511344	C-R	205015
5086697AA	CHRY	710558	5093400	CALI	415036	5100	NATL	370046A	511344	SKF	205015
5086697AB	CHRY	710558	5093403	CALI	416892	51004	GARLK	471224	51138	GARLK	471763
5086697AB	MOPAR	710558	5093407	CALI	7354N	5100408	GMC	204017	51139	CLARK	470163
5086773AA	CHRY	710564	5094005604	DAEWO	3774	5100650	GMC	470169	51139	CLARK	471766
5086773AB	CHRY	710564	50945	ONAN	470163	5100650	GMC	473214	5114	NATL	2146
5086773AB	MOPAR	710564	50945	ONAN	471766	5101	FBG	710237	511402TAA	CHRY	710473
5086773AC	CHRY	710564	50946	ONAN	471442	51015	NATL	471015	51143	CLARK	471765
5086773AC	MOPAR	710564	5095	TIMKE	5095	510160	LAU	240735	5114802	GMC	455956H
5086789	CHRY	710508	509526	C-R	475004H	51020	GARLK	471649	5115	TIMKE	5115
5086789AA	CHRY	710508	509526	SKF	475004H	510247	VICK	481163	51150	CLARK	450316
5086789AA	MOPAR	710508	50957	ONAN	470163	51028	GARLK	471689	51150	CLARK	472636
5086813AA	CHRY	39803	50957	ONAN	471766	51030	TROS	471267	511542	Y-T	415064

INTERCHANGE SECTION

COMPETITIVE INTERCHANGES

Mfr No.	Mfr.	National	Mfr No.	Mfr.	National	Mfr No.	Mfr.	National	Mfr No.	Mfr.	National
5115454	GMC	455006N	512657C1	NAVST	380025A	51375	CLARK	340151	5143660AA	CHRY	710962
5116	TIMKE	5116	512657C1	NAVST	386025A	5137587AA	CHRY	710067	5143660AA	MOPAR	710962
5116224	GMC	482041N	512662	UNIVE	415938	5137587AA	MOPAR	710067	5143714AA	CHRY	710684
5116229	GMC	710022	512663	MICH	415938	51376	WAUKE	450070	5143714AA	JEEP	710684
511643	BORGW	441148	5127119	GMC	471689	51376	WAUKE	472185	5143715AA	CHRY	710694
511655	STUDE	5778	5127119A	GMC	471689	51377	CLARK	450316	5143715AA	JEEP	710694
511687	IH	470954	5127238	EATON	410308	51377	CLARK	472636	5143733AA	CHRY	710654
511687	IH	480954	5127238	EATON	450308	51378	GARLK	473215	5143733AA	JEEP	710654
511694R91	IH	450044	512723800	EATON	410308	5137SH	JN-MN	350364	5143733AB	CHRY	710654
5117	TIMKE	5117	512723800	EATON	450308	51382	CLARK	470027	5143733AB	JEEP	710654
511716	ALLCH	471413	512726	VICK	44052	51382	CLARK	471554	5143743AA	CHRY	710655
51172	C-R	39805	51276	C-R	417547	51383	CLARK	471765	5143743AA	JEEP	710655
51172	C-R	710473	51276	SKF	417547	51384	CLARK	473205	5143832AA	CHRY	711027
51172	SKF	39805	5127821	CUMMI	6329S	51385	CLARK	470163	5143845AA	CHRY	710909
51172	SKF	710473	5128	NATL	710077	51385	CLARK	471766	5143R	JN-MN	417273
51172V	IH	470059	51282	WAYNE	415263	51386	CLARK	470059	51440	PEUGE	716102
51172V	IH	470380	512830	GERL	450083	51386	CLARK	470380	51446	MASTE	473427
51176	CLARK	450070	512830	GERL	472924	51387	CLARK	473446	51448	MASTE	471567
51176	CLARK	472185	512839	ALLCH	473211	5138710	GMC	483054N	51449	MASTE	473215
5117983	GMC	470954	512840	ALLCH	470169	5138796	GMC	6879H	5144LUP	JN-MN	412028
5118	TIMKE	5118	512840	ALLCH	473214	51388	CLARK	416271	51450	PEUGE	228010
51180	SPICE	100727	512886R91	IH	45013S	51389	CLARK	471141	51454	GARLK	473227
51182	C-R	710556	512887R91	IH	40101S	5138SS	JN-MN	471558	51455	CLARK	472636
51182	SKF	710556	5128B	JN-MN	450094	513915	VICK	455858	5145LA	JN-MN	450311
511878	ALLCH	472070	5128B	JN-MN	473462	51392	CLARK	450067	5145LUP	JN-MN	450311
5118SS	JN-MN	340483	5128LPD	JN-MN	450094	51392	CLARK	473228	5146	TIMKE	5146
5119	TIMKE	5119	5128LPD	JN-MN	473462	5139505	GMC	472164V	51460	CLARK	450082
511D5	DIA	475012N	5128N	TIMKE	5128N	5139505	GMC	482164N	51460	CLARK	473238
511D5	WHITE	475012N	5129	NATL	5108	51397	CLARK	470169	51462	GARLK	470625
511H	BRAD	472439	512952	STUDE	450067	51397	CLARK	473214	51466	MASTE	473427
511VB7	MARI	417542	512952	STUDE	473228	5139857AA	CHRY	223235	514680	ALLCH	450083
512	UNIVE	416666	5129B	JN-MN	471192	5139857AA	MOPAR	223235	514680	ALLCH	472924
51201	TRANS	3543	5130	NATL	39813	514	UNIVE	416476	514693	GMC	455186
5121	TIMKE	5121	5131	TIMKE	5131	514	UNIVE	455075	51472	GARLK	470380
5121601	CALI	415577	5131329	GMC	470625	5140028AA	CHRY	710841	5147LA	JN-MN	417596
51220	CLARK	417267	51314	CLARK	473446	5140028AA	JEEP	710841	51482	CITRO	470074
51224	GARLK	471413	5131698	GMC	416271	5140028AA	MOPAR	710841	51482	CITRO	474265
51228D	IH	415371	51319	CLARK	416271	51403	TROS	6818	51482	MASSE	470074
5123	TIMKE	5123	51322	TIMKE	51322	5140SS	JN-MN	456744N	51482	MASSE	474265
51232	GARLK	471737	51329	TROS	415876	5141050	GMC	370018A	51482	MASTE	470074
51235	CLARK	240119	5132909	GMC	471649V	5141050	GMC	418028	51482	MASTE	474265
5123501	CALI	412943	5132SS	JN-MN	481650	5141050	GMC	455137	51482	PEUGE	470074
5123802	CALI	416008	5133	C-R	471472	51412	CLARK	472015	51482	PEUGE	474265
5124	TIMKE	5124	5133	SKF	471472	51420	PEUGE	228009	5148314	GMC	482041N
51240	C-R	416557	5133	TIMKE	5133	51420	TALBO	228009	5148LA	JN-MN	455290
51240	SKF	416557	5133000	CALI	455005	5142723AA	CHRY	710906	5148LPD	JN-MN	455290
5124200	CALI	417604	513320	MAGAM	471442	5142723AB	CHRY	710906	51492	GARLK	473228
51246	GARLK	471766	51343	CLARK	470064	5142723AB	MOPAR	710906	51492D	IH	473421
51247	C-R	416557	51343	CLARK	471821	5142724AA	CHRY	710905	51492DA	IH	473421
51247	SKF	416557	5134351	GMC	471652V	5142724AA	MOPAR	710905	51492L	IH	473421
51248	C-R	417546	51348	GARLK	472258	5142735AA	CHRY	710904	51494DA	IH	6163S
51248	SKF	417546	5134924	GMC	482069N	5142R	JN-MN	415034	514963	GMC	455186
5125	NATL	4148	513532	SPICE	100712V	5142R	JN-MN	455034	51498	GARLK	473228
51252	C-R	417258	51356	CLARK	240319	5143480AA	CHRY	710894	5149LA	JN-MN	471466
51252	SKF	417258	51357	CLARK	471141	5143481AA	CHRY	710302	515	C-R	5MR71
51254	CLARK	471192	5135SS	JN-MN	471472	51435	NATL	484054	515	SKF	5MR71
5126	TIMKE	5126	51360	GARLK	471192	51435	WMG	484054	5150	C-R	471549
51262	GARLK	471795	51364	CLARK	470712	5143658AA	CHRY	710961	5150	SKF	471549
51262	TROS	41787S	51368	GARLK	473214	5143659AA	CHRY	710678	51501	SPICE	714675
512657C1	IH	370025A	513702	JN-SON	482309	5143659AA	MOPAR	710678	51501S	TROS	415147

INTERCHANGE SECTION

COMPETITIVE INTERCHANGES



Mfr No.	Mfr.	National	Mfr No.	Mfr.	National	Mfr No.	Mfr.	National	Mfr No.	Mfr.	National
51501S	TROS	415449	51590	GARLK	473010	5165359	GMC	415284	5171336000	HYUND	225082
5150220	GMC	483054N	51598	GARLK	473232	51657301001	ALLCH	415458	5171337000	HYUND	710182
51503S	TROS	7038SA	5161028	GMC	471570	51657301001	ALLCH	455003	5171337100	HYUND	225450
5150790	GMC	471765	51611176002	ALLCH	471705	51657301001003	ALLCH	415458	51714	GARLK	472185
5150791	GMC	471647	51611176004	ALLCH	473016	51657301001003	ALLCH	455003	5171436000	HYUND	225230
5150846	GMC	415284	51611176005	ALLCH	450070	51657301002	ALLCH	416345	5171437000	HYUND	710183
5150863	GMC	450083	51611176005	ALLCH	472185	51657301002	ALLCH	455033	51718	HYST	455189
5150863	GMC	472924	51611176007	ALLCH	472475	51657301003	ALLCH	455134	5172000	GMC	6329S
5150SS	JN-MN	350414	51611176008	ALLCH	415281N	51657301004	ALLCH	412871	5172164	GMC	450030
5150SS	JN-MN	472311	51611176009	ALLCH	471647	51657301004	ALLCH	450329	5172164	GMC	474253
5151090	GMC	417485	51611176010	ALLCH	415991	51657301005	ALLCH	416288	51726	GARLK	472179
5151392	GMC	417344	51611176010	ALLCH	455146	51657301008	ALLCH	451948	517274A1	FORD	471231
5151392	GMC	455006	51611176011	ALLCH	415082	51657301009	ALLCH	450161	517274A2	FORD	471231
5151SH	JN-MN	340469	51611176012	ALLCH	411394	51657301009	ALLCH	471764	5173384	GMC	5872S
5151SS	JN-MN	340469	51611176012	ALLCH	450317	51657301010	ALLCH	472144	5173B	JN-MN	417600
51524	CLARK	472810	51611176013	ALLCH	473243	51657301011	ALLCH	415035	5174	TIMKE	5174
5152LA	JN-MN	471466	5161117605002	ALLCH	471705	51657301011	ALLCH	455035	51749	GMC	410102
5152LUP	JN-MN	471466	5161117605003	ALLCH	470163	51657301013	ALLCH	415725	5175829AB	CHRY	710814
5153373	GMC	417344	5161117605003	ALLCH	471766	51657301016	ALLCH	415991	5175136	GMC	470189
5153560	GMC	415284	5161117605004	ALLCH	473016	51657301016	ALLCH	455146	5175136	GMC	471692
5153SH	JN-MN	40169S	5161117605005	ALLCH	450070	51657301019	ALLCH	417344	5175276	GMC	472705
5153SS	JN-MN	473214	5161117605005	ALLCH	472185	51657301019	ALLCH	455006	517536	GERL	455019
5154224	GMC	471076	5161117605011	ALLCH	415082	51657301020	ALLCH	472258	5175829AA	CHRY	710814
5154314	GMC	416271	5161117605012	ALLCH	411394	5165730103009	ALLCH	450161	5175829AB	MOPAR	710814
5154315	ALLCH	416271	5161117605012	ALLCH	450317	5165730103009	ALLCH	471764	5175836	OLIVE	416654
5154315	GMC	416271	5161117605013	ALLCH	473243	5165730100100	ALLCH	415458	5175836	OLIVE	455012
515440	ALLCH	474278	5161117606002	ALLCH	471705	5165958	EUCLD	471442	5176287	GMC	450039
515440	ALLCH	480356	5161117606003	ALLCH	470163	5165958	GMC	471442	5176288	GMC	471255
51546	CLARK	5872S	5161117606003	ALLCH	471766	5166	TIMKE	5166	5176552	GMC	417548
5154791	GMC	415284	5161117606004	ALLCH	473016	5166003	GMC	415449	5176B	JN-MN	480210
51548	CLARK	5872S	51611176001	ALLCH	471646	5166003	GMC	455147	517716	CATER	415041
5154LA	JN-MN	470169	51611176006	ALLCH	471795	516650	GERL	473463	5178219	GMC	350364
5154LA	JN-MN	473214	5161117605001	ALLCH	471646	516675	MICH	416107	5178989	GMC	415284
5155226	GMC	450117	5161543AA	CHRY	710904	516675	MICH	455073	5179506	GMC	481163
5155226	GMC	472572	51625TA	TRSCM	417258	516675	UNIVE	416107	5179736AA	CHRY	710904
51553	AM WH	417316	5163	TIMKE	5163	516675	UNIVE	455073	5179736AA	MOPAR	710904
51553	AM WH	455004	516302C1	IH	456618	5166SH	JN-MN	350954	5179985	GMC	455956H
5155300	CALI	416107	51632408	TROS	416327	5166SH	JN-MN	470954	51802	GARLK	472439
5155300	CALI	455073	516329	STUDE	42763	5166SS	JN-MN	470954	5180285	GMC	410312N
5155445	GMC	470059	51633D	IH	415991	5167	TIMKE	5167	5180521	GMC	410694
5155445	GMC	470380	51633D	IH	455146	5168	TIMKE	5168	518055R91	IH	203003
5155462	GMC	470548	516356075	TROS	417366	516839	C-R	370005A	51814	GARLK	472572
5155462	GMC	470625	516393	GERL	416892	516839	SKF	370005A	5182365	GMC	472012
5155621	GMC	471224	51640010	TROS	417357	5168647	GMC	416125	51826	GARLK	473238
5155786	GMC	455144	51640010	TROS	455192	5169	TIMKE	5169	5183044000	HYUND	225010
51558	CLARK	470059	51640808	TROS	415142	51690	GARLK	473237	5183507	GMC	416888
51558	CLARK	470380	51641208	TROS	455194	51690	SPICE	710577	5183507	GMC	455200
5156309	GMC	450593	5164157	GMC	416921	5170	TIMKE	5170	5183524AA	CHRY	710877
51566	GARLK	473230	5164157	GMC	455011	51704	GARLK	472164	51838	GARLK	473239
515672	C-R	455035N	516416075	TROS	455195	5170539AA	CHRY	710645	5183965	GMC	450095
515672	SKF	455035N	516416075	TROS	472157	5170540AA	CHRY	710668	5183965	GMC	473464
5157536	GMC	450115	51641608	TROS	455195	517064	ALLCH	470120	5184	C-R	472467
5157536	GMC	473467	51641608	TROS	472157	517064	ALLCH	471224	5184	EIMCO	473451
5157574	GMC	417134	5164463	GMC	415164N	5170LA	JN-MN	415991	5184	SKF	472467
51576	GARLK	473231	5164468	GMC	417191	5170LA	JN-MN	455146	51840S	TROS	350679
5157948	GMC	471646	5164474	GMC	470163	5171311000	HYUND	1196	51840S	TROS	470954
5158063	GMC	450083	5164474	GMC	471766	5171321000	HYUND	229522	5184285AF	CHRY	711030
5158063	GMC	472924	51645TA	TRSCM	417547	5171321100	HYUND	229522	5184285AG	CHRY	711030
5158446	GMC	471787	5164SS	JN-MN	471833	5171321100	MITSU	229522	518449R91	IH	471737
51585	CLARK	340151	5165357	GMC	415284	5171331000	HYUND	224020	5184541AB	CHRY	710937

INTERCHANGE SECTION

COMPETITIVE INTERCHANGES

Mfr No.	Mfr.	National	Mfr No.	Mfr.	National	Mfr No.	Mfr.	National	Mfr No.	Mfr.	National
5184541AC	CHRY	710937	5192267	GMC	471466	51X1023	GARLK	473453	51X1222	GARLK	472924
5184576	GMC	455290	5192438	GMC	6370N	51X1049	GARLK	450117	51X1223	GARLK	450083
51848	GARLK	473240	5192505	GMC	6863S	51X1049	GARLK	472572	51X1223	GARLK	472924
5185065	GMC	350364	5192617	GMC	416666	51X105	GARLK	481397	51X1224	GARLK	450083
51852	C-R	455956H	5192620	GMC	471466	51X1055	GARLK	414045	51X1224	GARLK	472924
51852	SKF	455956H	5192776	GMC	455251H	51X1056	GARLK	414045	51X1225	GARLK	470530
518674	C-R	370037A	519289	C-R	481181N	51X106	GARLK	481397	51X1226	GARLK	470530
518674	C-R	370338A	519289	SKF	481181N	51X1064	GARLK	450298	51X1227	GARLK	470530
518674	SKF	370037A	5193122	GMC	471138	51X1064	GARLK	473239	51X1228	GARLK	450301
518674	SKF	370338A	5193274	GMC	415991	51X1067	GARLK	473457	51X1228	GARLK	472397
518680	C-R	370021A	5193274	GMC	455146	51X1068	GARLK	473457	51X1229	GARLK	450301
518680	SKF	370021A	5193413	GMC	5460	51X1070	GARLK	473240	51X1229	GARLK	472397
518682	C-R	370019A	5193599	GMC	471255	51X1071	GARLK	473240	51X1230	GARLK	450301
518682	SKF	370019A	5193684	DETRO	471733	51X1077	GARLK	473458	51X1230	GARLK	472397
518683	C-R	370021A	5193684	GMC	471733	51X1078	GARLK	472439	51X1231	GARLK	473463
518683	SKF	370021A	5193LPD	JN-MN	416156	51X1079	GARLK	472439	51X1232	GARLK	473463
51869	GMC	473458	5194019	GMC	450083	51X1080	GARLK	472439	51X1233	GARLK	473463
5186F	OSHKO	415995	5194019	GMC	472924	51X1081	GARLK	471868	51X1240	GARLK	450095
5186F	OSHKO	455013	5194233	GMC	412871	51X1082	GARLK	471868	51X1240	GARLK	473464
5187281	GMC	416107	5194233	GMC	450329	51X1083	GARLK	471868	51X1241	GARLK	450095
5187281	GMC	455073	5194382	GMC	450352	51X1084	GARLK	450117	51X1241	GARLK	473464
51875	MASTE	481568	5194382	GMC	472164	51X1084	GARLK	472572	51X1242	GARLK	450095
5188	TIMKE	5188	5194527	GMC	415991	51X1085	GARLK	450117	51X1242	GARLK	473464
518821R91	IH	6590S	5194527	GMC	455146	51X1085	GARLK	472572	51X1246	GARLK	412027
5189	TIMKE	5189	519471	ALLCH	471570	51X1086	GARLK	450117	51X1247	GARLK	412027
5189835AA	CHRY	710598	5194955	GMC	415995	51X1086	GARLK	472572	51X1248	GARLK	412027
5189836AA	CHRY	710923	5194955	GMC	455013	51X1090	GARLK	414045	51X1257	GARLK	473466
5189989AA	CHRY	710598	5194959	GMC	416288	51X1091	GARLK	414045	51X1259	GARLK	472012
5189989AA	JEEP	710598	5195SS	JN-MN	1049	51X1092	GARLK	414045	51X1262	GARLK	450307
5189989AA	MITSU	710598	5196038	DETRO	471570V	51X110	GARLK	471529	51X1265	GARLK	450311
5189989AA	MOPAR	710598	5196633	GMC	340847	51X1105	GARLK	473240	51X1271	GARLK	416738
5190	ROTO	471281	5196852	GMC	710022	51X1106	GARLK	473240	51X1271	GARLK	450096
51901S	TROS	350394	51969	GMC	471551	51X1107	GARLK	473240	51X1272	GARLK	416738
51901S	TROS	473227	5197159	GMC	5460	51X1133	GARLK	473460	51X1272	GARLK	450096
519042	ALLCH	453165	5197860	GMC	455251H	51X1136	GARLK	472394	51X1282	GARLK	451948
519042	ALLCH	471619	5197860	GMC	5460	51X1140	GARLK	473461	51X1283	GARLK	451948
5190707	GMC	417191	51983D	IH	416288	51X1151	GARLK	450472	51X1284	GARLK	451948
5190707	GMC	455165	5198502	FPDSL	J1107	51X1152	GARLK	450472	51X1285	GARLK	473466
5191189	GMC	415995	5198502	GMC	J1107	51X1153	GARLK	473241	51X1286	GARLK	473466
5191189	GMC	455013	5198503	GMC	452261H	51X1154	GARLK	473241	51X1287	GARLK	473466
5191190	GMC	450067	5198645	GMC	455956H	51X1155	GARLK	473241	51X1288	GARLK	472012
5191190	GMC	473228	5198LA	JN-MN	415047	51X1163	GARLK	450474	51X1289	GARLK	472012
5191214	GMC	415027	5198LUP	JN-MN	415047	51X1164	GARLK	450474	51X1290	GARLK	472012
5191214	GMC	455027	5199366	GMC	39910	51X1167	GARLK	50528	51X1291	GARLK	450307
5191357AA	CHRY	710732	5199B	JN-MN	455576	51X1171	GARLK	473461	51X1292	GARLK	450307
5191357AA	JEEP	710732	51AEX6	ALLCH	417267	51X1172	GARLK	473461	51X1293	GARLK	450307
5191358AA	CHRY	223010	51AMX7	ALLCH	450467	51X1173	GARLK	473461	51X1294	GARLK	450311
5191358AA	JEEP	223010	51ATX4	ALLCH	200354	51X1174	GARLK	471391	51X1295	GARLK	450311
5191359AA	CHRY	710733	51JG1	KEN	450352	51X1175	GARLK	471391	51X1296	GARLK	450311
5191359AA	JEEP	710733	51JG1	KEN	472164	51X1176	GARLK	471391	51X1300	GARLK	416738
5191600	GMC	416288	51X100	GARLK	481537	51X1180	GARLK	450094	51X1300	GARLK	450096
5191707	GMC	410694	51X1006	GARLK	473451	51X1180	GARLK	473462	51X1301	GARLK	416738
5191708	GMC	470088	51X1007	GARLK	473451	51X1181	GARLK	450094	51X1301	GARLK	450096
5191745	GMC	415025	51X1008	GARLK	473451	51X1181	GARLK	473462	51X1302	GARLK	416738
5191843	GMC	471526	51X101	GARLK	481537	51X1182	GARLK	450094	51X1302	GARLK	450096
5191923	GMC	415035	51X1012	GARLK	473452	51X1182	GARLK	473462	51X1306	GARLK	450313
5191923	GMC	455035	51X1013	GARLK	473452	51X1202	GARLK	470530	51X1307	GARLK	450313
5191925	GMC	412473	51X1014	GARLK	473452	51X1208	GARLK	473463	51X1308	GARLK	450313
5191925	GMC	415894	51X102	GARLK	481073	51X122	GARLK	470506	51X1312	GARLK	450343
5192250	GMC	471442	51X1022	GARLK	473453	51X1222	GARLK	450083	51X1313	GARLK	450343

INTERCHANGE SECTION

COMPETITIVE INTERCHANGES



Mfr No.	Mfr. National	Mfr No.	Mfr. National	Mfr No.	Mfr. National	Mfr No.	Mfr. National
51X1314	GARLK 450343	51X1487	GARLK 410737	51X1600	GARLK 472150	51X175	GARLK 450431
51X1331	GARLK 410308	51X1487	GARLK 450737	51X1601	GARLK 472150	51X175	GARLK 471539
51X1331	GARLK 450308	51X1488	GARLK 410737	51X1602	GARLK 472150	51X176	GARLK 450431
51X1332	GARLK 410308	51X1502	GARLK 455136	51X161	GARLK 481568	51X176	GARLK 471539
51X1332	GARLK 450308	51X1503	GARLK 455136	51X1612	GARLK 411394	51X1771	GARLK 412040
51X1334	GARLK 410312N	51X1507	GARLK 472299	51X1612	GARLK 450317	51X1772	GARLK 412040
51X1339	GARLK 450121	51X1508	GARLK 472299	51X1613	GARLK 411394	51X1773	GARLK 412040
51X1339	GARLK 472409	51X1509	GARLK 450441	51X1613	GARLK 450317	51X178	GARLK 471231
51X1340	GARLK 450121	51X1509	GARLK 471341	51X1614	GARLK 411394	51X1780	GARLK 450104
51X1340	GARLK 472409	51X1510	GARLK 410520	51X1614	GARLK 450317	51X1781	GARLK 450104
51X1358	GARLK 416267	51X1510	GARLK 471272	51X162	GARLK 481568	51X1782	GARLK 450104
51X1361	GARLK 450867	51X1511	GARLK 410520	51X1633	GARLK 455321	51X1783	GARLK 411245
51X1361	GARLK 470898	51X1511	GARLK 471272	51X1634	GARLK 455321	51X1783	GARLK 455096
51X1362	GARLK 450365	51X1512	GARLK 410520	51X1635	GARLK 455321	51X1784	GARLK 411245
51X1362	GARLK 470898	51X1512	GARLK 471272	51X1640	GARLK 473474	51X1784	GARLK 455096
51X1363	GARLK 450115	51X1518	GARLK 471138	51X1643	GARLK 470565	51X1785	GARLK 411245
51X1363	GARLK 473467	51X1522	GARLK 410737	51X1649	GARLK 473475	51X1785	GARLK 455096
51X1364	GARLK 450115	51X1522	GARLK 450737	51X1655	GARLK 413246	51X179	GARLK 474253
51X1364	GARLK 473467	51X1523	GARLK 410737	51X1655	GARLK 413246N	51X180	GARLK 472394
51X1365	GARLK 450115	51X1523	GARLK 450737	51X166	GARLK 481644	51X181	GARLK 450588
51X1365	GARLK 473467	51X1524	GARLK 410737	51X1664	GARLK 410987	51X1811	GARLK 410496
51X1366	GARLK 472015	51X1531	GARLK 411253	51X1665	GARLK 410987	51X182	GARLK 450588
51X1367	GARLK 472015	51X1531	GARLK 450099	51X1665	GARLK 450103	51X1829	GARLK 455079
51X1368	GARLK 472015	51X1532	GARLK 411253	51X1667	GARLK 416271	51X184	GARLK 471645
51X1369	GARLK 410308	51X1532	GARLK 450099	51X1673	GARLK 410825	51X1840	GARLK 450519
51X1369	GARLK 450308	51X1533	GARLK 411253	51X1674	GARLK 410825	51X1840	GARLK 471271
51X1370	GARLK 410308	51X1533	GARLK 450099	51X1676	GARLK 416071	51X1841	GARLK 450519
51X1370	GARLK 450308	51X1534	GARLK 412920	51X1687	GARLK 473475	51X1841	GARLK 471271
51X1371	GARLK 410308	51X1534	GARLK 450132	51X1688	GARLK 473475	51X1842	GARLK 450519
51X1371	GARLK 450308	51X1535	GARLK 412920	51X1689	GARLK 473475	51X1842	GARLK 471271
51X1372	GARLK 410312N	51X1535	GARLK 450132	51X169	GARLK 474273	51X1852	GARLK 415449
51X1373	GARLK 410312N	51X1536	GARLK 412920	51X1693	GARLK 413246	51X1852	GARLK 455147
51X1374	GARLK 410312N	51X1536	GARLK 450132	51X1693	GARLK 413246N	51X1853	GARLK 415449
51X1379	GARLK 450621	51X1537	GARLK 455136	51X1694	GARLK 413246	51X1853	GARLK 455147
51X1380	GARLK 450621	51X1538	GARLK 455136	51X1694	GARLK 413246N	51X1854	GARLK 415449
51X1386	GARLK 450869	51X1539	GARLK 455136	51X1695	GARLK 413246	51X1854	GARLK 455147
51X1396	GARLK 416267	51X154	GARLK 470390	51X1695	GARLK 413246N	51X1855	GARLK 415001
51X1397	GARLK 416267	51X1540	GARLK 411376	51X1696	GARLK 412119	51X1855	GARLK 455001
51X1398	GARLK 416267	51X1540	GARLK 455093	51X1696	GARLK 450101	51X1856	GARLK 415001
51X1407	GARLK 473471	51X1541	GARLK 411376	51X1697	GARLK 412119	51X1856	GARLK 455001
51X1409	GARLK 472020	51X1541	GARLK 455093	51X1697	GARLK 450101	51X1857	GARLK 415001
51X1424	GARLK 412943	51X1542	GARLK 411376	51X1698	GARLK 412119	51X1857	GARLK 455001
51X1435	GARLK 472234	51X1542	GARLK 455093	51X1698	GARLK 450101	51X1858	GARLK 416273
51X1436	GARLK 472234	51X1546	GARLK 415234	51X1699	GARLK 413247	51X1859	GARLK 416273
51X1437	GARLK 472234	51X1547	GARLK 415234	51X1699	GARLK 450350	51X186	GARLK 471686
51X1438	GARLK 472018	51X1548	GARLK 415234	51X170	GARLK 474273	51X1860	GARLK 416273
51X1439	GARLK 472018	51X1549	GARLK 415259	51X1700	GARLK 413247	51X1861	GARLK 455079
51X1440	GARLK 472018	51X1550	GARLK 415259	51X1700	GARLK 450350	51X1862	GARLK 455079
51X1441	GARLK 473471	51X1551	GARLK 415259	51X1701	GARLK 413247	51X1863	GARLK 455079
51X1442	GARLK 473471	51X1562	GARLK 472150	51X1701	GARLK 450350	51X187	GARLK 473412
51X1443	GARLK 473471	51X1574	GARLK 411394	51X1705	GARLK 416271	51X188	GARLK 473412
51X1444	GARLK 472020	51X1574	GARLK 450317	51X1706	GARLK 416271	51X1882	GARLK 413479
51X1445	GARLK 472020	51X1577	GARLK 410694	51X1707	GARLK 416271	51X1883	GARLK 413479
51X1446	GARLK 472020	51X1579	GARLK 450133	51X1714	GARLK 416071	51X1884	GARLK 413479
51X1450	GARLK 470354	51X1580	GARLK 450133	51X1715	GARLK 416071	51X1886	GARLK 415302
51X1451	GARLK 470354	51X1586	GARLK 416444	51X1716	GARLK 416071	51X1887	GARLK 415302
51X1452	GARLK 470354	51X159	GARLK 481443	51X1724	GARLK 471887	51X1889	GARLK 455311
51X1472	GARLK 471341	51X1595	GARLK 455321	51X1736	GARLK 412040	51X189	GARLK 471729
51X1478	GARLK 473473	51X1596	GARLK 455321	51X1748	GARLK 411245	51X1890	GARLK 455311
51X1479	GARLK 473473	51X160	GARLK 481443	51X1748	GARLK 455096	51X1891	GARLK 415988

INTERCHANGE SECTION

COMPETITIVE INTERCHANGES

Mfr No.	Mfr.	National	Mfr No.	Mfr.	National	Mfr No.	Mfr.	National	Mfr No.	Mfr.	National
51X1892	GARLK	415988	51X1982	GARLK	417082	51X2106	GARLK	417485	51X276	GARLK	471688
51X1893	GARLK	415988	51X1983	GARLK	417082	51X2116	GARLK	415303	51X277	GARLK	450040
51X1894	GARLK	417481	51X1995	GARLK	455434	51X2119	GARLK	417344	51X278	GARLK	450040
51X1895	GARLK	417481	51X200	GARLK	473414	51X2119	GARLK	455006	51X279	GARLK	451082
51X1896	GARLK	417481	51X2014	GARLK	455434	51X2130	GARLK	415303	51X280	GARLK	451082
51X1897	GARLK	455280	51X2015	GARLK	455434	51X2131	GARLK	415303	51X285	GARLK	450339
51X1898	GARLK	455280	51X2016	GARLK	455434	51X2132	GARLK	417344	51X286	GARLK	450339
51X1899	GARLK	455280	51X2023	GARLK	455151	51X2132	GARLK	455006	51X287	GARLK	471224
51X190	GARLK	471729	51X2024	GARLK	455151	51X2133	GARLK	417344	51X288	GARLK	470120
51X1909	GARLK	411330N	51X2025	GARLK	455151	51X2133	GARLK	455006	51X288	GARLK	471224
51X1910	GARLK	411330N	51X2026	GARLK	455008	51X2134	GARLK	417344	51X289	GARLK	473380
51X1911	GARLK	411330N	51X2027	GARLK	455008	51X2134	GARLK	455006	51X290	GARLK	473380
51X1912	GARLK	415302	51X2028	GARLK	455008	51X2135	GARLK	416404	51X291	GARLK	471649
51X1913	GARLK	415302	51X2033	GARLK	480491	51X2136	GARLK	416404	51X292	GARLK	470219
51X1914	GARLK	415302	51X2034	GARLK	480491	51X2137	GARLK	416404	51X292	GARLK	471649
51X1915	GARLK	455311	51X204	GARLK	473415	51X2138	GARLK	416921	51X293	GARLK	471689
51X1916	GARLK	455311	51X2042	GARLK	415984	51X2138	GARLK	455011	51X294	GARLK	471689
51X1917	GARLK	455311	51X2051	GARLK	416706	51X2139	GARLK	416921	51X295	GARLK	450593
51X1918	GARLK	415988	51X2051	GARLK	455272	51X2139	GARLK	455011	51X296	GARLK	450593
51X1919	GARLK	415988	51X2056	GARLK	416664	51X2140	GARLK	416921	51X297	GARLK	471733
51X1920	GARLK	415988	51X2056	GARLK	455364	51X2140	GARLK	455011	51X298	GARLK	471733
51X1921	GARLK	417481	51X2057	GARLK	416664	51X2156	GARLK	417486	51X299	GARLK	471744
51X1922	GARLK	417481	51X2057	GARLK	455364	51X2157	GARLK	416956	51X2994	GARLK	417258
51X1923	GARLK	417481	51X2058	GARLK	416664	51X2158	GARLK	416956	51X2995	GARLK	417258
51X1924	GARLK	455280	51X2058	GARLK	455364	51X2159	GARLK	416956	51X300	GARLK	471744
51X1925	GARLK	455280	51X2059	GARLK	417484N	51X2160	GARLK	417159	51X301	GARLK	471760
51X1926	GARLK	455280	51X2059	GARLK	455322	51X2161	GARLK	417159	51X302	GARLK	471760
51X1931	GARLK	412871	51X2060	GARLK	417484N	51X2162	GARLK	417159	51X303	GARLK	453165
51X1931	GARLK	450329	51X2060	GARLK	455322	51X2163	GARLK	416654	51X303	GARLK	471619
51X1934	GARLK	413248	51X2061	GARLK	417484N	51X2163	GARLK	455012	51X304	GARLK	453165
51X1937	GARLK	450412	51X2061	GARLK	455322	51X2164	GARLK	416654	51X304	GARLK	471619
51X1938	GARLK	450412	51X2062	GARLK	415984	51X2164	GARLK	455012	51X308	GARLK	481650
51X1947	GARLK	415458	51X2063	GARLK	415984	51X2165	GARLK	416654	51X341	GARLK	450044
51X1947	GARLK	455003	51X2064	GARLK	415984	51X2165	GARLK	455012	51X342	GARLK	450044
51X1949	GARLK	417343	51X2065	GARLK	417316	51X2166	GARLK	417486	51X347	GARLK	450159
51X1953	GARLK	415007	51X2065	GARLK	455004	51X2167	GARLK	417486	51X348	GARLK	450159
51X1956	GARLK	417082	51X2066	GARLK	417316	51X2190	GARLK	55548	51X3596	GARLK	417600
51X196	GARLK	473414	51X2066	GARLK	455004	51X2191	GARLK	55548	51X3597	GARLK	417600
51X1960	GARLK	413248	51X2067	GARLK	417316	51X2196	GARLK	455820	51X3600	GARLK	417601
51X1961	GARLK	413248	51X2067	GARLK	455004	51X2197	GARLK	455820	51X3601	GARLK	417601
51X1962	GARLK	413248	51X2068	GARLK	415960	51X2223	GARLK	455020	51X3609	GARLK	417022
51X1966	GARLK	415483	51X2068	GARLK	455009	51X2224	GARLK	455020	51X3610	GARLK	417604
51X1966	GARLK	455368	51X2069	GARLK	415960	51X241	GARLK	450038	51X3611	GARLK	417567
51X1967	GARLK	415483	51X2069	GARLK	455009	51X242	GARLK	450038	51X3619	GARLK	455462
51X1967	GARLK	455368	51X2070	GARLK	415960	51X2436	GARLK	415832	51X3623	GARLK	415090
51X1968	GARLK	415483	51X2070	GARLK	455009	51X2437	GARLK	415832	51X364	GARLK	471736
51X1968	GARLK	455368	51X2086	GARLK	455005	51X257	GARLK	472951	51X3647	GARLK	417606
51X1972	GARLK	415458	51X2087	GARLK	455005	51X257	GARLK	474252	51X3648	GARLK	417606
51X1972	GARLK	455003	51X2088	GARLK	455005	51X258	GARLK	472951	51X366	GARLK	473428
51X1973	GARLK	415458	51X2089	GARLK	417485	51X258	GARLK	474252	51X3660	GARLK	417605
51X1973	GARLK	455003	51X2090	GARLK	417485	51X259	GARLK	450039	51X3673	GARLK	417020
51X1974	GARLK	415458	51X2091	GARLK	417485	51X260	GARLK	450039	51X368	GARLK	450161
51X1974	GARLK	455003	51X2092	GARLK	475384	51X269	GARLK	451583	51X368	GARLK	471764
51X1975	GARLK	417343	51X2093	GARLK	475384	51X270	GARLK	451583	51X3680	GARLK	415227
51X1976	GARLK	417343	51X2094	GARLK	475384	51X2706	GARLK	417238	51X3694	GARLK	415482
51X1977	GARLK	417343	51X2101	GARLK	455005	51X2707	GARLK	417238	51X37	GARLK	6863S
51X1978	GARLK	415007	51X2102	GARLK	455005	51X271	GARLK	450545	51X3705	GARLK	415076
51X1979	GARLK	415007	51X2103	GARLK	455005	51X272	GARLK	450545	51X375	GARLK	450362
51X1980	GARLK	415007	51X2104	GARLK	417485	51X273	GARLK	471648	51X376	GARLK	450362
51X1981	GARLK	417082	51X2105	GARLK	417485	51X274	GARLK	471648	51X38	GARLK	6863S

INTERCHANGE SECTION

COMPETITIVE INTERCHANGES



Mfr No.	Mfr. National	Mfr No.	Mfr. National	Mfr No.	Mfr. National	Mfr No.	Mfr. National
51X385	GARLK 473426	51X4652	GARLK 416239	51X4784	GARLK 415072	51X492	GARLK 473211
51X3863	GARLK 350435	51X4654	GARLK 417172	51X4785	GARLK 415124	51X4924	GARLK 417597
51X3869	GARLK 472705	51X4659	GARLK 450489	51X4787	GARLK 476470	51X4925	GARLK 417606
51X3871	GARLK 450342	51X4659	GARLK 473244	51X4788	GARLK 415066	51X4928	GARLK 416154
51X3874	GARLK 471747	51X4662	GARLK 470506	51X4789	GARLK 415327	51X4929	GARLK 455462
51X3874	GARLK 472674	51X4665	GARLK 450316	51X4790	GARLK 416288	51X493	GARLK 473212
51X3882	GARLK 471344	51X4665	GARLK 472636	51X4792	GARLK 471354	51X4934	GARLK 415066
51X3886	GARLK 450090	51X4667	GARLK 55548	51X4800	GARLK 417020	51X4938	GARLK 412920
51X3889	GARLK 450965	51X4668	GARLK 417541	51X4801	GARLK 415227	51X4938	GARLK 450132
51X39	GARLK 474277	51X4669	GARLK 416892	51X4804	GARLK 417487	51X494	GARLK 473212
51X3902	GARLK 455080	51X4670	GARLK 450083	51X4804	GARLK 455086	51X4945	GARLK 416738
51X3905	GARLK 472234	51X4670	GARLK 472924	51X4806	GARLK 455129	51X4945	GARLK 450096
51X3906	GARLK 472234	51X4671	GARLK 470351	51X4808	GARLK 417247	51X495	GARLK 473212
51X3909	GARLK 416921	51X4671	GARLK 471504	51X4809	GARLK 415294	51X4958	GARLK 411394
51X3909	GARLK 455011	51X4672	GARLK 450352	51X4809	GARLK 455294	51X4958	GARLK 450317
51X3910	GARLK 417486	51X4672	GARLK 472164	51X4825	GARLK 417254	51X4959	GARLK 416268
51X3912	GARLK 415995	51X4681	GARLK 415124	51X4828	GARLK 416865	51X4966	GARLK 417247
51X3912	GARLK 455013	51X4682	GARLK 417351	51X4832	GARLK 415303	51X4967	GARLK 417549
51X3924	GARLK 417602	51X4682	GARLK 455154	51X4836	GARLK 417247	51X4968	GARLK 416144
51X3932	GARLK 455123	51X4686	GARLK 417344	51X4837	GARLK 415196	51X497	GARLK 323138
51X3983	GARLK 417606	51X4686	GARLK 455006	51X4838	GARLK 413469	51X4976	GARLK 472843
51X40	GARLK 474277	51X4688	GARLK 415645	51X484	GARLK 472826	51X498	GARLK 473213
51X403	GARLK 450048	51X4688	GARLK 455104	51X4842	GARLK 471472	51X4982	GARLK 417547
51X404	GARLK 450048	51X4691	GARLK 473475	51X4844	GARLK 415001	51X4987	GARLK 415458
51X405	GARLK 450173	51X4693	GARLK 472144	51X4844	GARLK 455001	51X4987	GARLK 455003
51X406	GARLK 450173	51X4695	GARLK 416229	51X4847	GARLK 450431	51X4988	GARLK 470403
51X425	GARLK 471750	51X4704	GARLK 471785	51X4847	GARLK 471539	51X4988	GARLK 470774
51X434	GARLK 450177	51X4710	GARLK 455026	51X485	GARLK 472826	51X4991	GARLK 455480
51X435	GARLK 450177	51X4712	GARLK 456105	51X4854	GARLK 415035	51X4992	GARLK 473237
51X444	GARLK 471808	51X4717	GARLK 455019	51X4854	GARLK 415953	51X4998	GARLK 417486
51X4483	GARLK 415442	51X4718	GARLK 473212	51X4855	GARLK 481537	51X5	GARLK 350364
51X4484	GARLK 455396	51X4720	GARLK 416107	51X4861	GARLK 473226	51X5002	GARLK 415683
51X449	GARLK 470050	51X4720	GARLK 455073	51X4862	GARLK 471870	51X5005	GARLK 450183
51X450	GARLK 470050	51X4723	GARLK 417134	51X4862	GARLK 471883	51X5005	GARLK 472179
51X452	GARLK 473424	51X4727	GARLK 416865	51X4865	GARLK 417254	51X5007	GARLK 472287
51X4560	GARLK 415294	51X4729	GARLK 457874	51X487	GARLK 473421	51X5008	GARLK 415437
51X4560	GARLK 455294	51X4732	GARLK 417196	51X4871	GARLK 470954	51X5008	GARLK 455173
51X4579	GARLK 470088	51X4734	GARLK 415082	51X4872	GARLK 417597	51X5025	GARLK 416288
51X4580	GARLK 415023	51X4735	GARLK 411376	51X4873	GARLK 416888	51X5028	GARLK 455476
51X4586	GARLK 471570	51X4735	GARLK 455093	51X4873	GARLK 455200	51X5030	GARLK 415023
51X4589	GARLK 450400	51X4736	GARLK 55028	51X4876	GARLK 455406	51X5031	GARLK 415072
51X4590	GARLK 450352	51X4738	GARLK 416011	51X4878	GARLK 417602	51X5041	GARLK 471538
51X4590	GARLK 472164	51X4738	GARLK 417621	51X488	GARLK 473421	51X5043	GARLK 415371
51X4592	GARLK 450365	51X4740	GARLK 414045	51X4882	GARLK 417262	51X5049	GARLK 415034
51X4592	GARLK 470898	51X4745	GARLK 415991	51X4882	GARLK 455448	51X5049	GARLK 455034
51X4593	GARLK 411330N	51X4745	GARLK 455146	51X4883	GARLK 417269	51X5050	GARLK 350364
51X46	GARLK 470004	51X4752	GARLK 417512	51X489	GARLK 473421	51X5051	GARLK 417539
51X4600	GARLK 472432	51X4754	GARLK 470027	51X4891	GARLK 471862	51X5053	GARLK 473242
51X4600	GARLK 474256	51X4754	GARLK 471554	51X4897	GARLK 415025	51X5059	GARLK 417351
51X4603	GARLK 471231	51X4766	GARLK 450069	51X4899	GARLK 455536	51X5059	GARLK 455154
51X4605	GARLK 470027	51X4766	GARLK 473232	51X490	GARLK 473211	51X5060	GARLK 455336
51X4605	GARLK 471554	51X4768	GARLK 415482	51X4900	GARLK 471391	51X5061	GARLK 415483
51X4610	GARLK 415871	51X4771	GARLK 416892	51X4902	GARLK 417269	51X5061	GARLK 455368
51X4640	GARLK 415991	51X4772	GARLK 416345	51X4904	GARLK 416556	51X5063	GARLK 55028
51X4640	GARLK 455146	51X4772	GARLK 455033	51X4904	GARLK 472157	51X5066	GARLK 415045
51X4645	GARLK 450143	51X4774	GARLK 55078S	51X491	GARLK 473211	51X5078	GARLK 450301
51X4646	GARLK 412119	51X4775	GARLK 417526	51X4912	GARLK 415150	51X5078	GARLK 472397
51X4646	GARLK 450101	51X4780	GARLK 416892	51X4914	GARLK 416271	51X5079	GARLK 416339
51X4651	GARLK 415035	51X4781	GARLK 471549	51X4916	GARLK 450365	51X5079	GARLK 455031
51X4651	GARLK 455035	51X4783	GARLK 417541	51X4916	GARLK 470898	51X511	GARLK 473435

INTERCHANGE SECTION

COMPETITIVE INTERCHANGES

Mfr No.	Mfr.	National	Mfr No.	Mfr.	National	Mfr No.	Mfr.	National	Mfr No.	Mfr.	National
51X512	GARLK	473435	51X615	GARLK	471862	51X6439	GARLK	417350	51X6534	GARLK	415991
51X513	GARLK	473435	51X619	GARLK	473438	51X6439	GARLK	455479	51X6534	GARLK	455146
51X514	GARLK	473436	51X6192	GARLK	470806	51X6440	GARLK	410520	51X6541	GARLK	411245
51X515	GARLK	473436	51X620	GARLK	473438	51X6440	GARLK	471272	51X6541	GARLK	455096
51X516	GARLK	473436	51X621	GARLK	473438	51X6444	GARLK	416654	51X6545	GARLK	415711
51X520	GARLK	450054	51X6224	GARLK	480630	51X6444	GARLK	455012	51X6546	GARLK	472439
51X521	GARLK	450054	51X6224	GARLK	480991	51X6446	GARLK	412473	51X6547	GARLK	473237
51X522	GARLK	450054	51X6230	GARLK	470358	51X6446	GARLK	415894	51X6548	GARLK	473243
51X540	GARLK	472287	51X6230	GARLK	473231	51X6450	GARLK	453165	51X6549	GARLK	473405
51X558	GARLK	450444	51X6231	GARLK	470358	51X6450	GARLK	471619	51X6550	GARLK	417605
51X558	GARLK	471835	51X6231	GARLK	473231	51X6451	GARLK	417488	51X6551	GARLK	450067
51X560	GARLK	472843	51X6245	GARLK	450400	51X6456	GARLK	415449	51X6551	GARLK	473228
51X561	GARLK	472843	51X6252	GARLK	450494	51X6456	GARLK	455147	51X6554	GARLK	473236
51X5886	GARLK	455008	51X6252	GARLK	472164	51X6457	GARLK	472826	51X6556	GARLK	417357
51X5887	GARLK	473446	51X6266	GARLK	417474	51X6461	GARLK	456105	51X6556	GARLK	455192
51X5892	GARLK	416888	51X6271	GARLK	470625	51X6462	GARLK	473225	51X6560	GARLK	412040
51X5892	GARLK	455200	51X6272	GARLK	450389	51X6465	GARLK	415147	51X6563	GARLK	415045
51X5893	GARLK	472810	51X6272	GARLK	472492	51X6465	GARLK	415449	51X6564	GARLK	415551
51X5897	GARLK	455080	51X6289	GARLK	471498	51X6466	GARLK	471763	51X6565	GARLK	417357
51X5900	GARLK	473466	51X6328	GARLK	416011	51X6467	GARLK	417316	51X6565	GARLK	455192
51X5906	GARLK	417020	51X6328	GARLK	417621	51X6467	GARLK	455004	51X6568	GARLK	415035
51X5907	GARLK	416404	51X6333	GARLK	455330	51X6468	GARLK	416071	51X6568	GARLK	455035
51X5912	GARLK	417548	51X6335	GARLK	455583N	51X6469	GARLK	472394	51X6573	GARLK	415090
51X5913	GARLK	472018	51X6340	GARLK	417600	51X6471	GARLK	417316	51X6576	GARLK	470403
51X5914	GARLK	450194	51X6353	GARLK	473405	51X6471	GARLK	455004	51X6576	GARLK	470774
51X5914	GARLK	473010	51X6356	GARLK	476470	51X6474	GARLK	470682	51X6578	GARLK	415449
51X5920	GARLK	417567	51X6358	GARLK	415991	51X6475	GARLK	450444	51X6578	GARLK	455147
51X5922	GARLK	415281N	51X6358	GARLK	455146	51X6475	GARLK	471835	51X6580	GARLK	450593
51X5925	GARLK	417486	51X6359	GARLK	416047	51X6478	GARLK	410520	51X6581	GARLK	417603
51X5929	GARLK	415551	51X6359	GARLK	416332	51X6478	GARLK	471272	51X6584	GARLK	455018
51X5930	GARLK	417211	51X6360	GARLK	415035	51X6479	GARLK	471192	51X6584	GARLK	476470
51X5933	GARLK	55301S	51X6360	GARLK	455035	51X6484	GARLK	416666	51X6585	GARLK	455655
51X5938	GARLK	415371	51X6361	GARLK	415196	51X6487	GARLK	471887	51X6586	GARLK	415090
51X5945	GARLK	417278	51X6363	GARLK	416888	51X6489	GARLK	455018	51X6588	GARLK	416654
51X5947	GARLK	411253	51X6363	GARLK	455200	51X6489	GARLK	476470	51X6588	GARLK	455012
51X5947	GARLK	450099	51X6365	GARLK	415725	51X6497	GARLK	417487	51X6590	GARLK	416047
51X5948	GARLK	415984	51X6366	GARLK	417549	51X6497	GARLK	455014	51X6590	GARLK	416332
51X5953	GARLK	417357	51X6369	GARLK	417515	51X6499	GARLK	417487	51X6592	GARLK	473450
51X5953	GARLK	455192	51X6370	GARLK	416229	51X6499	GARLK	455014	51X6593	GARLK	472015
51X5957	GARLK	471413	51X6374	GARLK	416364	51X6500	GARLK	471267	51X6599	GARLK	416921
51X5959	GARLK	415090	51X6375	GARLK	416239	51X6502	GARLK	416288	51X6599	GARLK	455011
51X5960	GARLK	417606	51X6378	GARLK	415867	51X6506	GARLK	450519	51X6600	GARLK	416345
51X5966	GARLK	450183	51X6385	GARLK	417603	51X6506	GARLK	471271	51X6600	GARLK	455033
51X5966	GARLK	472179	51X6387	GARLK	55301S	51X651	GARLK	471820	51X6602	GARLK	455018
51X5968	GARLK	473474	51X6391	GARLK	417605	51X6510	GARLK	417600	51X6602	GARLK	476470
51X5969	GARLK	455509	51X6395	GARLK	415482	51X6511	GARLK	415088	51X6603	GARLK	415725
51X5978	GARLK	473380	51X6413	GARLK	417247	51X6511	GARLK	455088	51X6604	GARLK	472015
51X5980	GARLK	412119	51X6414	GARLK	473460	51X6513	GARLK	416167	51X6605	GARLK	473243
51X5980	GARLK	450101	51X6415	GARLK	470027	51X6513	GARLK	455091	51X6608	GARLK	471870
51X5981	GARLK	55078S	51X6415	GARLK	471554	51X6515	GARLK	455434	51X6608	GARLK	471883
51X5983	GARLK	415036	51X6418	GARLK	415295	51X6516	GARLK	470358	51X6610	GARLK	450067
51X6	GARLK	350364	51X6422	GARLK	417598	51X6516	GARLK	473231	51X6610	GARLK	473228
51X60	GARLK	471530	51X6430	GARLK	471785	51X6517	GARLK	471808	51X6616	GARLK	455476
51X6062	GARLK	472810	51X6431	GARLK	455022	51X6521	GARLK	455462	51X663	GARLK	470487N
51X6099	GARLK	481397	51X6433	GARLK	416364	51X6522	GARLK	471984	51X6632	GARLK	455151
51X610	GARLK	473437	51X6434	GARLK	417357	51X6523	GARLK	471267	51X6634	GARLK	415116
51X611	GARLK	473437	51X6434	GARLK	455192	51X6528	GARLK	418028	51X6635	GARLK	417542
51X612	GARLK	473437	51X6437	GARLK	416239	51X6528	GARLK	455137	51X6637	GARLK	471466
51X6127	GARLK	471231	51X6438	GARLK	450301	51X6529	GARLK	473224	51X6638	GARLK	473240
51X614	GARLK	471862	51X6438	GARLK	472397	51X6530	GARLK	415072	51X6639	GARLK	472658

INTERCHANGE SECTION

COMPETITIVE INTERCHANGES



Mfr No.	Mfr. National	Mfr No.	Mfr. National	Mfr No.	Mfr. National	Mfr No.	Mfr. National
51X6639	GARLK 473197	51X6749	GARLK 471255	51X6898	GARLK 470565	51X7060	GARLK 474256
51X6640	GARLK 415725	51X6750	GARLK 415645	51X6899	GARLK 450185	51X7069	GARLK 470403
51X6644	GARLK 457874	51X6750	GARLK 455104	51X6899	GARLK 473229	51X7069	GARLK 470774
51X6645	GARLK 415991	51X6753	GARLK 470074	51X690	GARLK 470487N	51X7072	GARLK 470062
51X6645	GARLK 455146	51X6753	GARLK 474265	51X6900	GARLK 417316	51X7072	GARLK 474264
51X6651	GARLK 417343	51X6757	GARLK 411376	51X6900	GARLK 455004	51X7081	GARLK 473237
51X6652	GARLK 417496	51X6757	GARLK 455093	51X6901	GARLK 416047	51X7090	GARLK 450519
51X666	GARLK 473440	51X6760	GARLK 417603	51X6901	GARLK 416332	51X7090	GARLK 471271
51X6664	GARLK 415379	51X6762	GARLK 417134	51X6904	GARLK 450301	51X7091	GARLK 415082
51X6664	GARLK 455379	51X6764	GARLK 455015	51X6904	GARLK 472397	51X7099	GARLK 450083
51X6665	GARLK 417541	51X6765	GARLK 417278	51X6907	GARLK 415027	51X7099	GARLK 472924
51X6667	GARLK 470059	51X6767	GARLK 415035	51X6914	GARLK 416476	51X7101	GARLK 417604
51X6667	GARLK 470380	51X6767	GARLK 415953	51X6914	GARLK 455075	51X7104	GARLK 415458
51X6668	GARLK 413478	51X6768	GARLK 417020	51X6917	GARLK 417525	51X7104	GARLK 455003
51X6670	GARLK 415294	51X6770	GARLK 417604	51X692	GARLK 473440	51X7110	GARLK 416888
51X6670	GARLK 455294	51X6773	GARLK 415551	51X6920	GARLK 415294	51X7110	GARLK 455200
51X6674	GARLK 471795	51X6774	GARLK 470169	51X6920	GARLK 455294	51X7114	GARLK 415551
51X6675	GARLK 471801	51X6774	GARLK 473214	51X6921	GARLK 455462	51X7115	GARLK 415991
51X6678	GARLK 417082	51X6794	GARLK 450066	51X6923	GARLK 415711	51X7115	GARLK 455146
51X6679	GARLK 417191	51X6794	GARLK 473367	51X6924	GARLK 416666	51X7120	GARLK 417366
51X6680	GARLK 416921	51X6795	GARLK 450441	51X6927	GARLK 470027	51X7121	GARLK 473437
51X6680	GARLK 455011	51X6795	GARLK 471341	51X6927	GARLK 471554	51X7125	GARLK 470358
51X6682	GARLK 450316	51X6796	GARLK 417362	51X693	GARLK 473440	51X7125	GARLK 473231
51X6682	GARLK 472636	51X6797	GARLK 455330	51X6934	GARLK 473235	51X7128	GARLK 416666
51X6687	GARLK 415077	51X6798	GARLK 415559	51X6937	GARLK 470548	51X7130	GARLK 471316
51X669	GARLK 470077	51X6799	GARLK 415035	51X6937	GARLK 470625	51X7134	GARLK 416154
51X669	GARLK 474281	51X6799	GARLK 415953	51X6938	GARLK 417269	51X7137	GARLK 470059
51X6692	GARLK 417355	51X6800	GARLK 417082	51X6939	GARLK 417541	51X7137	GARLK 470380
51X670	GARLK 470548	51X6806	GARLK 416339	51X6946	GARLK 417539	51X7140	GARLK 472029
51X670	GARLK 470625	51X6806	GARLK 455031	51X6947	GARLK 416364	51X7141	GARLK 416556
51X6700	GARLK 415302	51X6832	GARLK 450183	51X6949	GARLK 415138	51X7141	GARLK 472157
51X6701	GARLK 470169	51X6832	GARLK 472179	51X6950	GARLK 450869	51X7145	GARLK 472012
51X6701	GARLK 473214	51X6833	GARLK 417606	51X6952	GARLK 417362	51X7146	GARLK 350435
51X6705	GARLK 470064	51X6835	GARLK 417509	51X6955	GARLK 450291	51X7152	GARLK 450066
51X6705	GARLK 471821	51X6838	GARLK 9568	51X6955	GARLK 471141	51X7152	GARLK 473367
51X6706	GARLK 450095	51X6839	GARLK 476470	51X6957	GARLK 470354	51X7153	GARLK 417350
51X6706	GARLK 473464	51X6840	GARLK 417506	51X6959	GARLK 455476	51X7153	GARLK 455479
51X6707	GARLK 417554	51X6842	GARLK 417020	51X6961	GARLK 470062	51X7154	GARLK 415036
51X6708	GARLK 455018	51X6847	GARLK 417526	51X6961	GARLK 474264	51X7155	GARLK 415072
51X6708	GARLK 476470	51X6853	GARLK 472394	51X6966	GARLK 455655	51X7159	GARLK 455005
51X671	GARLK 470548	51X6856	GARLK 471255	51X6968	GARLK 415021	51X716	GARLK 470682
51X671	GARLK 470625	51X6857	GARLK 470189	51X6971	GARLK 471558	51X7160	GARLK 410312N
51X6711	GARLK 415725	51X6857	GARLK 471692	51X6975	GARLK 9568	51X7162	GARLK 415351
51X6713	GARLK 417601	51X6860	GARLK 450194	51X6978	GARLK 415196	51X7165	GARLK 416891
51X6714	GARLK 415988	51X6860	GARLK 473010	51X6981	GARLK 455194	51X7174	GARLK 472018
51X672	GARLK 470548	51X6864	GARLK 417073	51X6982	GARLK 416345	51X7176	GARLK 471192
51X672	GARLK 470625	51X6865	GARLK 417481	51X6982	GARLK 455033	51X7177	GARLK 416706
51X6722	GARLK 417601	51X6866	GARLK 412871	51X6984	GARLK 471564	51X7177	GARLK 455272
51X6723	GARLK 417488	51X6866	GARLK 450329	51X6990	GARLK 415035	51X7186	GARLK 471760
51X6730	GARLK 417344	51X6868	GARLK 417351	51X6990	GARLK 415953	51X7187	GARLK 415483
51X6730	GARLK 455006	51X6868	GARLK 455154	51X6991	GARLK 416125	51X7187	GARLK 455368
51X6732	GARLK 471760	51X6870	GARLK 455134	51X6992	GARLK 470045	51X7192	GARLK 415379
51X6733	GARLK 330385	51X6871	GARLK 417515	51X6992	GARLK 476838	51X7192	GARLK 455379
51X6734	GARLK 416154	51X6872	GARLK 417362	51X6993	GARLK 471765	51X7194	GARLK 412473
51X6739	GARLK 416011	51X6888	GARLK 417584	51X6995	GARLK 471138	51X7194	GARLK 415894
51X6739	GARLK 417621	51X689	GARLK 470487N	51X7007	GARLK 472810	51X7195	GARLK 480630
51X6741	GARLK 417254	51X6892	GARLK 416239	51X7039	GARLK 450431	51X7196	GARLK 415960
51X6745	GARLK 470163	51X6893	GARLK 416865	51X7039	GARLK 471539	51X7196	GARLK 455009
51X6745	GARLK 471766	51X6895	GARLK 455406	51X705	GARLK 472299	51X7197	GARLK 415995
51X6746	GARLK 415683	51X6896	GARLK 481073	51X7060	GARLK 472432	51X7197	GARLK 455013

INTERCHANGE SECTION

COMPETITIVE INTERCHANGES

Mfr No.	Mfr.	National	Mfr No.	Mfr.	National	Mfr No.	Mfr.	National	Mfr No.	Mfr.	National
51X7199	GARLK	417487	51X7313	GARLK	455137	51X7448	GARLK	415036	51X7670	GARLK	455018
51X7199	GARLK	455014	51X7317	GARLK	417562	51X7510	GARLK	350414	51X7670	GARLK	476470
51X720	GARLK	471316	51X7318	GARLK	455406	51X7510	GARLK	472311	51X7671	GARLK	415259
51X7205	GARLK	416153	51X732	GARLK	451817	51X7516	GARLK	474278	51X7675	GARLK	471787
51X7206	GARLK	415711	51X7320	GARLK	471424	51X7516	GARLK	480356	51X7677	GARLK	472319
51X7210	GARLK	455151	51X7324	GARLK	415027	51X7518	GARLK	471766	51X7684	GARLK	450154
51X722	GARLK	473441	51X7327	GARLK	471887	51X7523	GARLK	471862	51X7684	GARLK	473234
51X7220	GARLK	455191	51X7328	GARLK	415995	51X753	GARLK	450274	51X7685	GARLK	415938
51X7221	GARLK	416313	51X7328	GARLK	455013	51X7542	GARLK	415281N	51X7686	GARLK	415041
51X7223	GARLK	472319	51X7332	GARLK	415027	51X7544	GARLK	415437	51X7687	GARLK	481792
51X7224	GARLK	415001	51X7334	GARLK	455144	51X7544	GARLK	455173	51X7689	GARLK	416158
51X7224	GARLK	455001	51X734	GARLK	450065	51X7549	GARLK	413246	51X7690	GARLK	415187
51X7226	GARLK	470062	51X7342	GARLK	415645	51X7549	GARLK	413246N	51X7695	GARLK	470077
51X7226	GARLK	474264	51X7342	GARLK	455104	51X7551	GARLK	415088	51X7695	GARLK	474281
51X7229	GARLK	455189	51X7346	GARLK	451948	51X7551	GARLK	455088	51X770	GARLK	450194
51X7230	GARLK	415437	51X7347	GARLK	415027	51X7554	GARLK	415683	51X770	GARLK	473010
51X7230	GARLK	455173	51X7347	GARLK	455027	51X7555	GARLK	471984	51X7700	GARLK	413246
51X7231	GARLK	417354	51X7348	GARLK	417535	51X7559	GARLK	417356	51X7700	GARLK	413246N
51X7233	GARLK	415551	51X7349	GARLK	475384	51X7559	GARLK	455188	51X7717	GARLK	417171
51X7238	GARLK	450104	51X735	GARLK	450065	51X7560	GARLK	416154	51X7722	GARLK	455195
51X7241	GARLK	455406	51X7350	GARLK	415991	51X7561	GARLK	417602	51X7722	GARLK	472157
51X7245	GARLK	415371	51X7350	GARLK	455146	51X7562	GARLK	415219	51X7723	GARLK	450316
51X7247	GARLK	417562	51X7353	GARLK	417601	51X7563	GARLK	450389	51X7723	GARLK	472636
51X7248	GARLK	471869	51X7357	GARLK	412473	51X7563	GARLK	472492	51X7745	GARLK	417556
51X7248	GARLK	473459	51X7357	GARLK	415894	51X7564	GARLK	450519	51X7747	GARLK	417484N
51X7249	GARLK	415960	51X7358	GARLK	471646	51X7564	GARLK	471271	51X7747	GARLK	455322
51X7249	GARLK	455009	51X7364	GARLK	455019	51X7566	GARLK	416865	51X7749	GARLK	417534
51X7253	GARLK	415027	51X7366	GARLK	417550	51X7568	GARLK	470548	51X7752	GARLK	471760
51X7253	GARLK	455027	51X7368	GARLK	455480	51X7568	GARLK	470625	51X7758	GARLK	417601
51X7254	GARLK	450154	51X7371	GARLK	415551	51X7572	GARLK	417316	51X7759	GARLK	457874
51X7254	GARLK	473234	51X7372	GARLK	471808	51X7572	GARLK	455004	51X7764	GARLK	416273
51X7255	GARLK	417351	51X7374	GARLK	476470	51X7574	GARLK	415303	51X7765	GARLK	418028
51X7255	GARLK	455154	51X7375	GARLK	417596	51X7578	GARLK	417522	51X7765	GARLK	455137
51X7258	GARLK	416892	51X7382	GARLK	411253	51X7590	GARLK	455195	51X7768	GARLK	450307
51X7259	GARLK	450133	51X7382	GARLK	450099	51X7590	GARLK	472157	51X7772	GARLK	455820
51X726	GARLK	450273	51X7386	GARLK	472258	51X7594	GARLK	416271	51X7774	GARLK	415227
51X7262	GARLK	474274	51X7389	GARLK	415379	51X7603	GARLK	416476	51X7775	GARLK	455556
51X7265	GARLK	417362	51X7389	GARLK	455379	51X7603	GARLK	455075	51X7776	GARLK	415458
51X7269	GARLK	415437	51X7390	GARLK	470163	51X7610	GARLK	417549	51X7776	GARLK	455003
51X7269	GARLK	455173	51X7390	GARLK	471766	51X7611	GARLK	417198	51X7780	GARLK	415128
51X7270	GARLK	417181	51X7391	GARLK	474255	51X7612	GARLK	415072	51X7783	GARLK	417604
51X7272	GARLK	450389	51X740	GARLK	482253	51X7615	GARLK	415027	51X7784	GARLK	417181
51X7272	GARLK	472492	51X7402	GARLK	415088	51X7615	GARLK	455027	51X7785	GARLK	455123
51X7276	GARLK	416077	51X7402	GARLK	455088	51X7616	GARLK	416047	51X7786	GARLK	455123
51X7277	GARLK	417474	51X7409	GARLK	416107	51X7616	GARLK	416332	51X7787	GARLK	417351
51X7280	GARLK	470064	51X7409	GARLK	455073	51X7626	GARLK	417549	51X7787	GARLK	455154
51X7280	GARLK	471821	51X741	GARLK	482253	51X7629	GARLK	417562	51X779	GARLK	474274
51X7282	GARLK	416339	51X7418	GARLK	415683	51X7633	GARLK	471887	51X7791	GARLK	416339
51X7282	GARLK	455031	51X7419	GARLK	455018	51X7642	GARLK	416294	51X7791	GARLK	455031
51X7284	GARLK	417539	51X7419	GARLK	476470	51X7646	GARLK	472041	51X7795	GARLK	417247
51X7285	GARLK	411245	51X7420	GARLK	472029	51X7646	GARLK	473454	51X7796	GARLK	455584
51X7285	GARLK	455096	51X7423	GARLK	6936S	51X7649	GARLK	472018	51X7803	GARLK	415196
51X7289	GARLK	417191	51X743	GARLK	451469	51X7652	GARLK	417541	51X7812	GARLK	416345
51X7291	GARLK	416891	51X7433	GARLK	415072	51X7653	GARLK	415076	51X7812	GARLK	455033
51X7292	GARLK	417316	51X7435	GARLK	472020	51X7659	GARLK	415034	51X7814	GARLK	415035
51X7292	GARLK	455004	51X7436	GARLK	415327	51X7659	GARLK	455034	51X7814	GARLK	415953
51X7299	GARLK	471529	51X7440	GARLK	415379	51X7661	GARLK	471192	51X7819	GARLK	416167
51X7307	GARLK	450352	51X7440	GARLK	455379	51X7668	GARLK	417316	51X7819	GARLK	455091
51X7307	GARLK	472164	51X7447	GARLK	470059	51X7668	GARLK	455004	51X7824	GARLK	415090
51X7313	GARLK	418028	51X7447	GARLK	470380	51X7669	GARLK	417298	51X7825	GARLK	417597

INTERCHANGE SECTION

COMPETITIVE INTERCHANGES



Mfr No.	Mfr. National	Mfr No.	Mfr. National	Mfr No.	Mfr. National	Mfr No.	Mfr. National
51X7829	GARLK 416664	51X8165	GARLK 415066	51X8331	GARLK 417258	51X8640	GARLK 415984
51X7829	GARLK 455364	51X8169	GARLK 457874	51X8384	GARLK 415867	51X8643	GARLK 450117
51X7831	GARLK 471646	51X8173	GARLK 416077	51X839	GARLK 473235	51X8643	GARLK 472572
51X7837	GARLK 417513	51X8187	GARLK 472475	51X8396	GARLK 415937	51X8646	GARLK 450068
51X7839	GARLK 417252	51X8188	GARLK 455019	51X8400	GARLK 415142	51X8657	GARLK 417262
51X7840	GARLK 55357	51X8192	GARLK 417273	51X8401	GARLK 472041	51X8657	GARLK 455448
51X7842	GARLK 472020	51X820	GARLK 450415	51X8401	GARLK 473454	51X8662	GARLK 417020
51X7861	GARLK 415196	51X8205	GARLK 417596	51X8404	GARLK 413469	51X8663	GARLK 417541
51X7864	GARLK 450285	51X8208	GARLK 417513	51X8409	GARLK 471633	51X8665	GARLK 417603
51X7873	GARLK 470358	51X821	GARLK 450415	51X8410	GARLK 417512	51X8668	GARLK 455685
51X7873	GARLK 473231	51X8213	GARLK 450316	51X8416	GARLK 410737	51X8676	GARLK 417159
51X7877	GARLK 415066	51X8213	GARLK 472636	51X8416	GARLK 450737	51X8678	GARLK 417366
51X7879	GARLK 417780	51X8214	GARLK 455820	51X8417	GARLK 455584	51X8679	GARLK 455151
51X7880	GARLK 416556	51X822	GARLK 450415	51X8419	GARLK 415138	51X8680	GARLK 415227
51X7880	GARLK 472157	51X8222	GARLK 416011	51X8423	GARLK 415072	51X8681	GARLK 417501
51X790	GARLK 470358	51X8222	GARLK 417621	51X8430	GARLK 456105	51X8682	GARLK 470645
51X790	GARLK 473231	51X8224	GARLK 455191	51X8437	GARLK 55301S	51X8683	GARLK 417511
51X7907	GARLK 470950	51X8231	GARLK 417191	51X8442	GARLK 417252	51X8687	GARLK 415128
51X7907	GARLK 6241S	51X8233	GARLK 476470	51X8443	GARLK 416229	51X8696	GARLK 417485
51X7909	GARLK 417602	51X8238	GARLK 417606	51X8460	GARLK 416891	51X8697	GARLK 417509
51X791	GARLK 470358	51X8243	GARLK 415072	51X8462	GARLK 415090	51X8698	GARLK 455297
51X791	GARLK 473231	51X8245	GARLK 417487	51X8466	GARLK 417509	51X8700	GARLK 418028
51X7915	GARLK 450444	51X8245	GARLK 455086	51X8469	GARLK 415871	51X8700	GARLK 455137
51X7915	GARLK 471835	51X8248	GARLK 470950	51X8470	GARLK 417159	51X8704	GARLK 470548
51X792	GARLK 470358	51X8248	GARLK 6241S	51X8471	GARLK 417556	51X8704	GARLK 470625
51X792	GARLK 473231	51X825	GARLK 414268	51X8477	GARLK 455026	51X8705	GARLK 480281
51X793	GARLK 450066	51X825	GARLK 450539	51X8488	GARLK 455566	51X8708	GARLK 417780
51X793	GARLK 473367	51X8251	GARLK 417596	51X8494	GARLK 415482	51X871	GARLK 450068
51X7937	GARLK 2081	51X8252	GARLK 415294	51X8498	GARLK 450441	51X8712	GARLK 415645
51X794	GARLK 450066	51X8252	GARLK 455294	51X8498	GARLK 471341	51X8712	GARLK 455104
51X794	GARLK 473367	51X8262	GARLK 415124	51X8521	GARLK 412040	51X872	GARLK 450068
51X795	GARLK 450066	51X8265	GARLK 481792	51X8530	GARLK 416664	51X8724	GARLK 473463
51X795	GARLK 473367	51X8266	GARLK 450078	51X8530	GARLK 455364	51X8726	GARLK 415281N
51X799	GARLK 450260	51X8266	GARLK 473444	51X8551	GARLK 416149	51X8728	GARLK 470605
51X7993	GARLK 417273	51X8267	GARLK 471551	51X8556	GARLK 417507	51X873	GARLK 450068
51X800	GARLK 450260	51X8270	GARLK 410308	51X8556	GARLK 455513	51X8731	GARLK 417356
51X801	GARLK 450260	51X8270	GARLK 450308	51X8560	GARLK 417604	51X8731	GARLK 455188
51X805	GARLK 450073	51X8272	GARLK 471472	51X8566	GARLK 455576	51X8732	GARLK 450298
51X806	GARLK 450073	51X8274	GARLK 450298	51X8569	GARLK 471818	51X8732	GARLK 473239
51X807	GARLK 450073	51X8274	GARLK 473239	51X8570	GARLK 415263	51X8734	GARLK 471820
51X8102	GARLK 455556	51X8275	GARLK 471801	51X8571	GARLK 413248	51X8736	GARLK 415072
51X8104	GARLK 472299	51X8278	GARLK 416153	51X8572	GARLK 472029	51X8738	GARLK 470565
51X8111	GARLK 417196	51X8280	GARLK 415379	51X8573	GARLK 415001	51X8744	GARLK 417357
51X8112	GARLK 417511	51X8280	GARLK 455379	51X8573	GARLK 455001	51X8744	GARLK 455192
51X8117	GARLK 415023	51X8284	GARLK 472432	51X8579	GARLK 417601	51X8745	GARLK 416891
51X8120	GARLK 415371	51X8284	GARLK 474256	51X8585	GARLK 415072	51X8747	GARLK 415867
51X8127	GARLK 416891	51X8292	GARLK 473458	51X8591	GARLK 415871	51X8752	GARLK 417362
51X8128	GARLK 417355	51X8293	GARLK 473238	51X8592	GARLK 417211	51X8756	GARLK 417020
51X8129	GARLK 470403	51X830	GARLK 473445	51X8596	GARLK 455584	51X8757	GARLK 417494
51X8129	GARLK 470774	51X8300	GARLK 415327	51X8608	GARLK 455022	51X8758	GARLK 417020
51X8131	GARLK 450285	51X8306	GARLK 416107	51X862	GARLK 50327	51X8775	GARLK 417298
51X8135	GARLK 473227	51X8306	GARLK 455073	51X8628	GARLK 417542	51X8778	GARLK 416163
51X8140	GARLK 455462	51X8309	GARLK 417538	51X8629	GARLK 417539	51X8780	GARLK 415991
51X8151	GARLK 415991	51X831	GARLK 473445	51X8631	GARLK 416167	51X8780	GARLK 455146
51X8151	GARLK 455146	51X8310	GARLK 417539	51X8631	GARLK 455091	51X8787	GARLK 415259
51X8153	GARLK 415458	51X8311	GARLK 415437	51X8633	GARLK 416154	51X8790	GARLK 473441
51X8153	GARLK 455003	51X8311	GARLK 455173	51X8635	GARLK 455197N	51X8797	GARLK 413247
51X8154	GARLK 416404	51X8314	GARLK 471765	51X8636	GARLK 415196	51X8797	GARLK 450350
51X8156	GARLK 417171	51X8328	GARLK 455197N	51X8638	GARLK 417205	51X8819	GARLK 455406
51X8161	GARLK 415045	51X8330	GARLK 416154	51X864	GARLK 50327	51X8824	GARLK 417254

INTERCHANGE SECTION

COMPETITIVE INTERCHANGES

Mfr No.	Mfr.	National	Mfr No.	Mfr.	National	Mfr No.	Mfr.	National	Mfr No.	Mfr.	National
51X8825	GARLK	416891	51X983	GARLK	473449	52035	GARLK	472924	520688	MICH	417556
51X8828	GARLK	455462	51X987	GARLK	480281	5203590	CHRYL	710056	52069260	CHRYL	710502
51X8830	GARLK	415559	51X992	GARLK	473450	5203603	CLARK	473232	52069700	CHRYL	710476
51X8833	GARLK	416664	51X993	GARLK	473450	5203611	CLARK	416339	52069700	JEEP	710476
51X8833	GARLK	455364	5258967	SAAB	710484	5203613	CLARK	417538	52069700	MITSU	710476
51X8836	GARLK	417171	52210135	FIRES	7022S	5203614	CLARK	455566	52069700	MOPAR	710476
51X8845	GARLK	417541	52210186	FIRES	8121S	5203618	CLARK	417551	52069706	CHRYL	710489
51X8846	GARLK	417547	52210208	FIRES	6840S	5203620	CLARK	470898	52069706	JEEP	710489
51X8847	GARLK	417497	52210216	FIRES	8705S	5203645	CLARK	415938	52069706	MITSU	710489
51X8848	GARLK	410987	52210224	FIRES	8705S	5203648	CLARK	415035	52069706AB	CHRYL	710489
51X8856	GARLK	417537	52210240	FIRES	7607	5203648	CLARK	415953	52069706AB	JEEP	710489
51X886	GARLK	50081	52210267	FIRES	291295	5203649	CLARK	417546	52069706AB	MITSU	710489
51X8864	GARLK	418028	52210275	FIRES	6960	5203651	CLARK	472016	52069706AB	MOPAR	710489
51X8864	GARLK	455137	52210305	FIRES	7934S	5203655	CLARK	455290	52070339AA	CHRYL	710480
51X8868	GARLK	417605	52210313	FIRES	4148	5203661	CLARK	416956	52070339AA	JEEP	710480
51X887	GARLK	50081	52210313	FIRES	471424	5203683	CLARK	470625	52070339AA	MITSU	710480
51X8870	GARLK	415683	52210348	FIRES	6815	5203686	CLARK	415027	52070339AB	CHRYL	710480
51X8875	GARLK	50327	52210356	FIRES	6815	5203687	CLARK	471466	52070339AB	JEEP	710480
51X8879	GARLK	450593	52210364	FIRES	5121	5203688	CLARK	416624	52070339AB	MITSU	710480
51X888	GARLK	50081	52210372	FIRES	8871	5203689	CLARK	415085	52070339AC	CHRYL	710480
51X8881	GARLK	416556	52210410	FIRES	9406S	5203692	CLARK	471138	52070339AC	JEEP	710480
51X8881	GARLK	472157	52210437	FIRES	331301N	5203693	CLARK	417343	52070339AC	MITSU	710480
51X8886	GARLK	470596	52210704	FIRES	3087	5203695	CLARK	473237	52070339AC	MOPAR	710480
51X8903	GARLK	417191	52210801	FIRES	6954S	5203696	CLARK	470954	52070340	CHRYL	710481
51X8904	GARLK	416107	52211018	FIRES	5109	5203699	CLARK	472015	52070340AA	CHRYL	710481
51X8904	GARLK	455073	52211506	FIRES	5123	5203703	CLARK	472020	52070340AA	JEEP	710481
51X8907	GARLK	415045	52215234	FIRES	484058	5203903	CLARK	412040	52070340AA	MITSU	710481
51X8912	GARLK	417542	52215269	FIRES	8594S	520402	CONTI	473211	52070340AB	CHRYL	710481
51X8917	GARLK	415090	52215323	FIRES	9569S	520428	CONTI	415003	52070340AB	JEEP	710481
51X895	GARLK	470086	52215439	FIRES	8660S	520428	CONTI	415458	52070340AB	MITSU	710481
51X897	GARLK	470086	52215536	FIRES	473228	5204620	CLARK	415559	52070427AA	CHRYL	8835S
51X9009	GARLK	471688	52215625	FIRES	8695S	5204633	CLARK	470354	52070427AA	JEEP	8835S
51X9013	GARLK	352541	52215668	FIRES	8835S	5204691	CLARK	415294	52070427AB	CHRYL	8835S
51X917	GARLK	473447	52215692	FIRES	2146	5204LA	JN-MN	472432	52070427AB	JEEP	8835S
51X920	GARLK	470334	52215714	FIRES	9912	5204LA	JN-MN	474256	52070427AB	MITSU	8835S
51X920	GARLK	50289	52215730	FIRES	2689S	5204LPD	JN-MN	472432	52070427AB	MOPAR	8835S
51X929	GARLK	471984	52215749	FIRES	8704S	5204LPD	JN-MN	474256	52070457AA	CHRYL	710836
51X932	GARLK	473313	5200	SEALD	5200	5205591	CHRYL	3459	52070457AA	MOPAR	710836
51X941	GARLK	50266	5200	TIMKE	5200	52056	GARLK	472397	520709	CONTI	6863S
51X942	GARLK	50266	52006	GARLK	471424	5205717	CLARK	473224	52071	GARLK	473242
51X944	GARLK	450269	52007658	CHRYL	4739	5205865	CLARK	5965	520777	CONTI	473473
51X945	GARLK	450269	52007658	MOPAR	4739	5205963	CLARK	412040	5208	TIMKE	5208
51X947	GARLK	450285	52007661	CHRYL	4740	5205B	JN-MN	416404	5208359	CLARK	J1122
51X948	GARLK	450285	5201	SEALD	5201	5206	SEALD	5206	5208J	OSHKO	417351
51X950	GARLK	471866	5201	TIMKE	5201	5206	TIMKE	5206	5208J	OSHKO	455154
51X9501	GARLK	330385	5202	SEALD	5202	5206032	CLARK	450461	5209514	CLARK	470605
51X9515	GARLK	471267	5202	TIMKE	5202	5206032	CLARK	473440	521	C-R	5M81
51X958	GARLK	473448	520226	NATL	470590	5206279	CLARK	472572	521	SKF	5M81
51X959	GARLK	473448	52023	GARLK	472492	5206513	CLARK	415449	5210	DICO	203005
51X960	GARLK	473448	520269	FULLE	450494	5206542	CLARK	415147	5210	DICO	205005
51X961	GARLK	471984	520280	AVCO	240356	5206542	CLARK	415449	521012	CONTI	474278
51X962	GARLK	471984	520280	CONTI	240356	52066	NATL	484058	521012	CONTI	480356
51X963	GARLK	471984	520280	HERCU	240356	5206673	CLARK	470954	52107898AA	CHRYL	224200
51X964	GARLK	473313	520282	GMC	9613S	52067595	CHRYL	8516N	52107898AA	JEEP	224200
51X965	GARLK	473313	5202OSR	JN-MN	470074	52067595	MOPAR	8516N	52107898AB	CHRYL	224200
51X966	GARLK	473313	5202OSR	JN-MN	474265	52067596	CHRYL	5126	52107898AB	JEEP	224200
51X977	GARLK	472070	5203	SEALD	5203	52067596	MOPAR	5126	52108424AA	CHRYL	224200
51X980	GARLK	471866	5203	TIMKE	5203	52068230	JEEP	710068	52108424AA	JEEP	224200
51X981	GARLK	471866	520317	CLARK	7412S	52068535	CHRYL	710502	52108424AA	MOPAR	224200
51X983	GARLK	450118	5203465	CHRYL	3655	520687	UNIVE	417556	52108428AA	CHRYL	224250

INTERCHANGE SECTION

COMPETITIVE INTERCHANGES



Mfr No.	Mfr.	National	Mfr No.	Mfr.	National	Mfr No.	Mfr.	National	Mfr No.	Mfr.	National
52108428AA	JEEP	224250	522183E000	KIA	223840	524109	CONTI	471692	5257B	JN-MN	455479
52108428AB	CHRYSLER	224250	5221LA	JN-MN	450307	52422	GARLK	470565	52583	OLIVE	353132
52108428AB	MOPAR	224250	522241	CONTI	474255	52434	GARLK	413246	5259	ROTO	471466
52111198AA	CHRYSLER	710498	5222SS	JN-MN	471354	52434	GARLK	413246N	525978	ALLCH	411253
52111198AA	JEEP	710498	522309	WOOL	417205	524360085	TROS	370008A	525978	ALLCH	450099
52111198AB	CHRYSLER	710498	522467	CONTI	471442	52440008	TROS	370015A	525H	CHRYSLER	473426
52111198AB	JEEP	710498	5224B	JN-MN	450593	52441608	TROS	415196	525H	DURA	473426
52111198AB	MOPAR	710498	52257	ALLCH	416865	52445	C-R	417262	5260939	CLARK	415036
52111338AA	CHRYSLER	710872	52257	ALLCH	455070	52445	C-R	455448	5260F	GOODM	415294
52111338AB	CHRYSLER	710872	52260	TROS	471787	52445	SKF	417262	5260F	GOODM	455294
52111338AC	CHRYSLER	710872	522678	ADAMS	450441	52445	SKF	455448	52617	GARLK	413248
52111338AC	MOPAR	710872	522678	ADAMS	471341	52446	GARLK	413247	526199	ALLCH	204008
52111953AA	CHRYSLER	710839	52278318	GMC	710780	5245135	CHRYSLER	471424V	52623	HYST	40337S
52111953AB	CHRYSLER	710839	522887	ADAMS	473464	524569	LETN	415836	52625TA	TRSCM	417262
52111953AC	CHRYSLER	710839	522887	LETN	410059	524569	LETN	415995	52625TA	TRSCM	455448
52111953AC	MOPAR	710839	522887	LETN	470380	52461	GARLK	416271	52632	GARLK	415483
521162	C-R	370015A	522958	ADAMS	472015	5246314	SPICE	450067	52633	WAYNE	415041
521162	SKF	370015A	522958	LETN	472015	5246314	SPICE	473228	52644	GARLK	415458
521192	CONTI	470027	522959	ADAMS	455655	5246315	SPICE	415449	52648	C-R	417549
521192	CONTI	471554	522959	WABCO	455655	5246315	SPICE	455147	52648	SKF	417549
5211B	JN-MN	470682	522D6	DIA	5403	5246316	SPICE	5872S	5264G	GOODM	416229
52120	TROS	40438S	522D6	WHITE	5403	5246317	SPICE	240319	52656	GARLK	417343
5212535	CHRYSLER	5604	5230	NATL	39813	5246318	SPICE	416921	52658	C-R	370069A
5212536	CHRYSLER	5604	5230007	GMC	471526	5246318	SPICE	455011	52658	C-R	380069A
5212B	JN-MN	471736	523010	STUDE	470120	5246319	SPICE	5872S	52658	SKF	370069A
5212LUP	JN-MN	471736	523010	STUDE	471224	5246320	SPICE	240319	52658	SKF	380069A
521315	C-R	370048A	523027R91	IH	204008	5246328	SPICE	340151	5265B	JN-MN	415021
521315	C-R	370182A	52303	GARLK	471272	5247	NATL	39809	52660	C-R	370069A
521315	C-R	380048A	523047	ADAMS	470169	524700	MICH	416666	52660	C-R	380069A
521315	SKF	370048A	523047	ADAMS	473214	524700	UNIVE	416666	52660	SKF	370069A
521315	SKF	370182A	523047	LETN	470169	52475	C-R	447060	52660	SKF	380069A
521315	SKF	380048A	523047	LETN	473214	52475	SKF	447060	52664	C-R	370043A
521317	CONTI	417344	523061	ADAMS	472924	52479D	IH	472070	52664	C-R	370069A
521317	CONTI	455006	523061	LETN	472924	52488	C-R	415645	52664	C-R	380069A
5213271	VICK	470712	523088	ADAMS	415984	52488	SKF	415645	52664	SKF	370043A
521351	CONTI	417191	5231	NATL	39807	5248B	JN-MN	473420	52664	SKF	370069A
521351	CONTI	455165	52317	GARLK	471138	524B41608	TROS	415196	52664	SKF	380069A
521371	ALLCH	450070	523192	ADAMS	340120	525871	ELRNG	710642	52675TA	TRSCM	417549
521371	ALLCH	472185	5232	NATL	39723	5252053	CHRYSLER	223253	52683	GARLK	416664
52148	SPICE	710492	52329	GARLK	472636	5252499	CHRYSLER	4857	52689	GARLK	415984
5214OSR	JN-MN	415035	5233	NATL	39705	525324	MINMA	415150	5269	ROTO	450095
5214OSR	JN-MN	455035	523325R91	IH	40101S	52536	GARLK	471271	5269	ROTO	473464
52159	GARLK	473204	5234	NATL	39701	52544	MARI	415142	52698	GARLK	415984
52164282	IG-RA	416153	52341	GARLK	412920	52548	GARLK	470605	5269LPD	JN-MN	471744
52171	GARLK	470898	52348D	IH	412473	5254SH	JN-MN	340151	527858	ELRNG	710651
5217B	JN-MN	415483	52348D	IH	415894	5254SS	JN-MN	352560	5270SS	JN-MN	471103
5217B	JN-MN	455368	5234LA	JN-MN	471192	5254SS	JN-MN	472560N	5270SS	JN-MN	50197S
52186	GARLK	472015	523517	STUDE	473016	52551	GARLK	415449	52710	GARLK	417316
521873E000	HYUND	223840	5236	SABO	710551	52557	GARLK	415449	5271321000	HYUND	1196
521883	ALLCH	450765	523620	CONTI	471270	5256	SKIL	41264S	5271321100	HYUND	1174
521925	CONTI	474260	523700	ADAMS	471192	525606	ALLCH	350414	5271324000	HYUND	710404
52198	GARLK	472016	523700	LETN	471192	525606	ALLCH	472311	5271324000	MITSU	710404
522068	ADAMS	411253	5237486	GMC	450115	52569	GARLK	416273	5271328000	HYUND	1196
522068	ADAMS	450099	5237486	GMC	473467	5256B	JN-MN	412920	5271336000	HYUND	494122
52210	GARLK	473243	5239SS	JN-MN	471281	5256B	JN-MN	450132	527176	C-R	370023A
5221431100	HYUND	2146	523D6	WHITE	5401	5257169	GMC	455858	527176	C-R	380023A
5221412000	HYUND	1955	524215	ELRNG	710813	5257224	GMC	5487	527176	SKF	370023A
52214585	FIRES	224045	5240542	CHRYSLER	3476	5257225	GMC	455858	527176	SKF	380023A
522146	ADAMS	470027	5241	DIVCO	6460S	52573	HYST	473227	52719	GARLK	415960
522146	ADAMS	471554	524109	CONTI	470189	5257B	JN-MN	417350	5271SS	JN-MN	472258

INTERCHANGE SECTION

COMPETITIVE INTERCHANGES

Mfr No.	Mfr.	National	Mfr No.	Mfr.	National	Mfr No.	Mfr.	National	Mfr No.	Mfr.	National
5273	TIMKE	5273	529057	ALLCH	470954	530102R91	IH	416664	53033	GARLK	415836
527302	CLARK	417562	5291	TIMKE	5291	53011	IPS	1012N	53033	GARLK	415995
5273B	JN-MN	417780	5291LA	JN-MN	416102	53013D	IH	415379	5303625	CLARK	412473
5274	TIMKE	5274	5291LUP	JN-MN	416102	530165	CHRY5	415449	5303625	CLARK	415894
5274A	TIMKE	5274A	5292722	CLARK	415559	530165	CHRY5	455147	5303635	CLARK	471424
5276	TMTR	473215	5292736	CLARK	472020	5301691	EATON	471255	5303655	CLARK	455290
5276LA	JN-MN	471391	5292SS	JN-MN	471539	53018	GARLK	417350	530370	FRUEH	370065A
5277	TIMKE	5277	52931D	IH	450048	53020599AB	JEEP	5174	530370	FRUEH	376590A
52770	GARLK	415303	52940S	TROS	450066	53021339AC	CHRY5	710841	530370	FRUEH	380065A
527739R91	IH	473225	52940S	TROS	473367	53021339AC	JEEP	710841	53042	GARLK	417351
5278	SABO	710603	529443R91	IH	471442	53020488	CHRY5	713103	530475	ALLCH	450361
5278	TIMKE	5278	529466R91	IH	417698	53020488AB	CHRY5	713103	530475	ALLCH	472193
52782	GARLK	417344	529484	WHITE	417344	53020599AB	CHRY5	5174	530480	FRUEH	370065A
5278LA	JN-MN	416167	529485	WHITE	J1119	53020788	CHRY5	710471	530480	FRUEH	376590A
5278LA	JN-MN	455091	5294B	JN-MN	417520	53020788	JEEP	710471	530480	FRUEH	380065A
5279	TIMKE	5279	529582	STUDE	450867	53020788	MITSU	710471	530488	CHRY5	450095
52791	GARLK	417158	529582	STUDE	470898	53020788AB	CHRY5	710471	530488	CHRY5	473464
52797	MASTE	417570	5295B	JN-MN	416892	53020788AB	JEEP	710471	530489	CHRY5	411253
5279A	TIMKE	5279A	5296B	JN-MN	417273	53020788AB	MITSU	710471	530489	CHRY5	450099
527H2	WHITE	450066	5297073	CLARK	417496	53020788AB	MOPAR	710471	530520	CONTI	340385
527H2	WHITE	473367	52975D	IH	470074	53020790	CHRY5	710472	530573	AVANT	40769S
528	C-R	5M89	52975D	IH	474265	53020790	JEEP	710472	530573	STUDE	40769S
528	SKF	5M89	5297SH	JN-MN	417267	53021103	CHRY5	710885	53058	IPS	1012N
5280B	JN-MN	55301S	5298SS	JN-MN	470712	53021303AA	CHRY5	710842	5305SS	JN-MN	471529
5281043000	HYUND	223550	52D3	WHITE	471442	53021303AA	JEEP	710842	5307SS	JN-MN	471652
5281044100	HYUND	225875	52X17925A	JOHND	240435	53021313AA	CHRY5	710472	530859	CONTI	416956
52812	GARLK	416921	53	UNIVE	450025	53021313AA	JEEP	710472	53088	IPS	225230
5282043000	HYUND	710484	53	UNIVE	471553	53021313AA	MITSU	710472	53091	IPS	225110
528367	C-R	370021A	530000	GEHL	472439	53021313AA	MOPAR	710472	53094	IPS	224820
528367	SKF	370021A	53000237	CHRY5	4019N	53021335AB	CHRY5	710841	53096	IPS	226285
528370	C-R	370019A	53000239	AMC	470547	53021335AB	JEEP	710841	530969R91	IH	471419
528370	SKF	370019A	530003	GEHL	473016	53021335AC	CHRY5	710841	530969R91	IH	473367
52852	MASTE	450133	53000476	CHRY5	473212	53021335AC	JEEP	710841	531	C-R	5M89
52852	REELE	450133	53000477	JEEP	2146	53021335AD	CHRY5	710841	531	SKF	5M89
52854126AA	CHRY5	100796	53000477	MOPAR	2146	53021335AD	JEEP	710841	53102	IPS	224045
52854126AA	MOPAR	100796	530006	GEHL	471138	53021335AE	CHRY5	710841	53102	TROS	7934S
52854578AA	CHRY5	710780	530008	GEHL	471276	53021335AE	JEEP	710841	53102S	TROS	7934S
52854578AA	JEEP	710780	530009	GEHL	291099	53021335BA	CHRY5	710841	53103173	SEAT	716102
528576	ACF	41264S	530012	GEHL	471760	53021335BA	JEEP	710841	531032	STUDE	8160S
52869D	IH	415836	530013	GEHL	240319	53021337AB	CHRY5	710841	53104	GARLK	416011
52869D	IH	415995	530014	GEHL	481163	53021337AB	JEEP	710841	53104	GARLK	417621
5287	TIMKE	5287	530016	GEHL	473225	53021338AA	CHRY5	710841	53106	IPS	1174
528712	UNIVE	416476	530017	GEHL	450083	53021338AA	JEEP	710841	53119	IPS	224045
528712	UNIVE	455075	530017	GEHL	472924	53021338AB	CHRY5	710841	53120	IPS	225010
528713	MICH	416476	530019	GEHL	472041	53021338AB	JEEP	710841	5313	TIMKE	5313
528713	MICH	455075	530019	GEHL	473454	53021585AA	CHRY5	710842	531378	CONTI	471526
5287A	TIMKE	5287A	530021	GEHL	474278	53021585AA	JEEP	710842	531379	CONTI	450188
5288	TIMKE	5288	530021	GEHL	480356	53021585AB	CHRY5	710842	5313OSR	JN-MN	416047
5289	ROTO	450415	530022	GEHL	471272	53021585AB	JEEP	710842	5313OSR	JN-MN	416332
528942	C-R	370065A	5300241	EATON	J1126	53021585AC	CHRY5	710842	53143	GARLK	417171
528942	C-R	376590A	53002642	AMC	470331N	53021585AC	JEEP	710842	5314B	JN-MN	416167
528942	C-R	380065A	5300331	EATON	J1136	53021585AD	CHRY5	710842	5314B	JN-MN	455091
528942	SKF	370065A	5300381	EATON	415725	53021585AD	JEEP	710842	53151	C-R	417550
528942	SKF	376590A	530038100	EATON	415725	53021585AD	MOPAR	710842	53151	SKF	417550
528942	SKF	380065A	53005629	CHRY5	713103	53024	IPS	1174	531690569	CHALL	415013
529023	ALLCH	412473	53005630	CHRY5	713103	53027	IPS	1973	531690569	CHALL	415995
529023	ALLCH	415894	53005837	CHRY5	710885	530289	CONTI	451583	531813	CHRY5	415988
529029	ALLCH	472354	530060	CHRY5	473471	5303144	GMC	471466	5318LA	JN-MN	470059
529029	ALLCH	50395S	53006828	CHRY5	710885	53032	ALLCH	415960	5318LA	JN-MN	470380
529046	ALLCH	471737	53009	GARLK	417349	53032	ALLCH	455009	5320B	JN-MN	471391

INTERCHANGE SECTION

COMPETITIVE INTERCHANGES



Mfr No.	Mfr. National	Mfr No.	Mfr. National	Mfr No.	Mfr. National	Mfr No.	Mfr. National
532101	<i>BENDI</i> 350435	53351M2000	<i>HYUND</i> 710396	53596HB	<i>IH</i> 412871	5386LA	<i>JN-MN</i> 55301S
5321B	<i>JN-MN</i> 472319	53351M2000	<i>KIA</i> 710396	53596HB	<i>IH</i> 450329	53872D	<i>IH</i> 410708
53220	<i>TROS</i> 416297	5335243000	<i>HYUND</i> 224255	5359703	<i>AMC</i> 471271	53877	<i>SPICE</i> 710701
53221	<i>TROS</i> 415960	5335244000	<i>HYUND</i> 224570	53601	<i>GARLK</i> 417355	53888D	<i>IH</i> 472924
53221	<i>TROS</i> 455009	533524A000	<i>HYUND</i> 224570	53613	<i>GARLK</i> 416125	538948	<i>CONTI</i> 471442
53222	<i>TROS</i> 415857	53358DA	<i>IH</i> 210945	536144R91	<i>IH</i> 413246N	5389LA	<i>JN-MN</i> 471413
5322B	<i>JN-MN</i> 416167	53364	<i>GARLK</i> 412473	536144R91	<i>IH</i> 470574N	5389LUP	<i>JN-MN</i> 471413
5322B	<i>JN-MN</i> 455091	53364	<i>GARLK</i> 415894	536282	<i>ALLCH</i> 470358	539580	<i>ELRNG</i> 473677
53234409	<i>TROS</i> 417502	53366	<i>NATL</i> 39719	536282	<i>ALLCH</i> 473231	539580	<i>ELRNG</i> 710808
53236	<i>GARLK</i> 417181	53379	<i>GARLK</i> 417191	53634D	<i>IH</i> 8650S	53902	<i>HYST</i> 455858
53236009	<i>TROS</i> 417506	5338	<i>NATL</i> 5095	5363713	<i>GMC</i> 470605	53912	<i>HYST</i> 6988H
53240009	<i>TROS</i> 415036	53394	<i>GARLK</i> 417354	53640S	<i>TROS</i> 6636S	539161	<i>GMC</i> 291295
53240310	<i>TROS</i> 370024A	5340B	<i>JN-MN</i> 455290	53646	<i>GARLK</i> 416041	539226	<i>CONTI</i> 450441
53240409	<i>TROS</i> 455037	53449	<i>BORGW</i> 450291	53646	<i>HYST</i> 415725	539226	<i>CONTI</i> 471341
532404X09	<i>TROS</i> 370009A	53449	<i>BORGW</i> 471141	5365082	<i>AMC</i> 3945	53925	<i>HYST</i> 470898
532404X09	<i>TROS</i> 380009A	5344R	<i>JN-MN</i> 416071	5365G	<i>GOODM</i> 417298	539421	<i>GMC</i> 471193N
53241010	<i>TROS</i> 9128S	5345B	<i>JN-MN</i> 417350	53660	<i>TROS</i> 472164	5394B	<i>JN-MN</i> 473215
53241609	<i>TROS</i> 416891	5345B	<i>JN-MN</i> 455479	53667	<i>GARLK</i> 417205	53967D	<i>IH</i> 473215
53243208	<i>TROS</i> 416888	53460	<i>GARLK</i> 416624	53675TA	<i>TRSCM</i> 417554	53968D	<i>IH</i> 473228
53243209	<i>TROS</i> 416888	534604	<i>STUDE</i> 471413	536778	<i>CHRY</i> 415960	53968D	<i>IH</i> 51098
53243209	<i>TROS</i> 455200	53461	<i>HYST</i> 450352	536778	<i>CHRY</i> 455009	5397	<i>TIMKE</i> 5397
53243210	<i>TROS</i> 416888	53461	<i>HYST</i> 472164	53688	<i>C-R</i> 417551	5399	<i>C-R</i> 471281
532467	<i>CONTI</i> 450441	534641	<i>STUDE</i> 471466	53688	<i>SKF</i> 417551	5399	<i>SKF</i> 471281
532467	<i>CONTI</i> 471341	534655	<i>STUDE</i> 351267	53692	<i>C-R</i> 455576	5399	<i>TIMKE</i> 5399
532471	<i>CONTI</i> 471529	534655	<i>STUDE</i> 471267	53692	<i>SKF</i> 455576	53H027	<i>SHOV</i> 450301
532489	<i>CONTI</i> 470045	534798	<i>CONTI</i> 450431	536D4	<i>WHITE</i> 415001	53H027	<i>SHOV</i> 472397
532489	<i>CONTI</i> 476838	534798	<i>CONTI</i> 471539	536D4	<i>WHITE</i> 455001	53H039	<i>SHOV</i> 474276
5324SH	<i>JN-MN</i> 40208	534938	<i>CONTI</i> 450588	537510	<i>ELRNG</i> 710618	53R012	<i>SHOV</i> 415001
5324SS	<i>JN-MN</i> 472324	534939	<i>CATER</i> J1117	53701	<i>C-R</i> 415938	53R012	<i>SHOV</i> 455001
532506	<i>CONTI</i> 471647	534956	<i>CONTI</i> 471538	53701	<i>SKF</i> 415938	53W005	<i>SHOV</i> 415007
532508	<i>CONTI</i> 471571	534957	<i>CONTI</i> 471538	53715V	<i>IH</i> 475003N	53X2174	<i>GARLK</i> 415836
532509	<i>C-R</i> 370003A	53499	<i>GARLK</i> 417196	5371B	<i>JN-MN</i> 471652	53X2174	<i>GARLK</i> 415995
532509	<i>C-R</i> 380003A	53502S	<i>TROS</i> 6712NA	53721	<i>GARLK</i> 417211	53X2177	<i>GARLK</i> 417351
532509	<i>SKF</i> 370003A	53503	<i>TROS</i> 472164	53732	<i>MASTE</i> 417172	53X2178	<i>GARLK</i> 417351
532509	<i>SKF</i> 380003A	535065	<i>CATER</i> J1121	53733	<i>GARLK</i> 416345	53X2178	<i>GARLK</i> 455154
532510	<i>CONTI</i> 471551	5351	<i>UNIVE</i> 370021A	5373B	<i>JN-MN</i> 415035	53X2180	<i>GARLK</i> 415086N
532534	<i>CONTI</i> 450030	5351142	<i>AMC</i> 472635	5373B	<i>JN-MN</i> 455035	53X2180	<i>GARLK</i> 417487
532534	<i>CONTI</i> 474253	535121	<i>ALLCH</i> 412871	53745	<i>GARLK</i> 415697	53X2181	<i>GARLK</i> 417487
532663	<i>WHITE</i> 455022	535121	<i>ALLCH</i> 450329	5374B	<i>JN-MN</i> 417511	53X2181	<i>GARLK</i> 455014
532664	<i>WHITE</i> 418028	5351OS	<i>JN-MN</i> 455018	5375R	<i>JN-MN</i> 450389	53X2182	<i>GARLK</i> 417487
532664	<i>WHITE</i> 455137	5351OS	<i>JN-MN</i> 476470	5375R	<i>JN-MN</i> 472492	53X2182	<i>GARLK</i> 455014
532665	<i>COC</i> 416339	535208R92	<i>IH</i> 471413	53763	<i>GARLK</i> 417366	53X2183	<i>GARLK</i> 417488
532665	<i>COC</i> 455031	535209R91	<i>IH</i> 471424V	53763	<i>HYST</i> 6872S	53X2184	<i>GARLK</i> 417488
532665	<i>WHITE</i> 416339	535209R92	<i>IH</i> 471424	53764	<i>HYST</i> 6481S	53X2185	<i>GARLK</i> 417488
532665	<i>WHITE</i> 455031	5352171	<i>AMC</i> 442380	537696	<i>ALLCH</i> 350936	53X2186	<i>GARLK</i> 415088
53275	<i>GARLK</i> 417353	5352609	<i>AMC</i> 471271	5377	<i>FULLE</i> 415836	53X2187	<i>GARLK</i> 415088
5329	<i>TIMKE</i> 5329	5352786	<i>AMC</i> 417480	5377	<i>FULLE</i> 415995	53X2187	<i>GARLK</i> 455088
532957	<i>C-R</i> 340872	5352786	<i>AMC</i> 455860	53770D	<i>IH</i> 415836	53X2188	<i>GARLK</i> 455019
532957	<i>SKF</i> 340872	535554	<i>CONTI</i> 470189	53770D	<i>IH</i> 415995	53X2189	<i>GARLK</i> 55548
532990	<i>CONTI</i> 472354	535554	<i>CONTI</i> 471692	53775	<i>C-R</i> 417554	53X2192	<i>GARLK</i> 416370
532990	<i>CONTI</i> 50395S	535604	<i>STUDE</i> 340771	53775	<i>SKF</i> 417554	53X2195	<i>GARLK</i> 455820
532GC220A	<i>MACK</i> 5645	5356675	<i>AMC</i> 442874	53790	<i>C-R</i> 3292	53X2198	<i>GARLK</i> 455019
53320	<i>TROS</i> 415060	535667R91	<i>IH</i> 477055	53790	<i>SKF</i> 3292	53X2199	<i>GARLK</i> 455019
533225	<i>CONTI</i> 473441	535674	<i>FRUEH</i> 455260	53799	<i>C-R</i> 416112	53X2200	<i>GARLK</i> 455019
533226	<i>CONTI</i> 417474	53568	<i>GARLK</i> 416047	53799	<i>SKF</i> 416112	53X2204	<i>GARLK</i> 455015
53326D	<i>IH</i> 410312N	53568	<i>GARLK</i> 416332	53806D	<i>IH</i> 415437	53X2205	<i>GARLK</i> 455015
5334	<i>C-R</i> 471530	535806	<i>GMC</i> 471193N	538126157	<i>VILA</i> 710150	53X2206	<i>GARLK</i> 455015
5334	<i>SKF</i> 471530	5358980	<i>AMC</i> 482267	53825	<i>HYST</i> 410308	53X2222	<i>GARLK</i> 455020
53346	<i>GARLK</i> 416294	5359457	<i>AMC</i> 3173	53825	<i>HYST</i> 473468	53X2225	<i>GARLK</i> 416011
5335	<i>LAU</i> 471570	5359457	<i>AMC</i> 710928	538283	<i>GE</i> 340009S	53X2225	<i>GARLK</i> 417621

INTERCHANGE SECTION

COMPETITIVE INTERCHANGES

Mfr No.	Mfr.	National	Mfr No.	Mfr.	National	Mfr No.	Mfr.	National	Mfr No.	Mfr.	National
53X2226	GARLK	416011	53X2308	GARLK	416313	53X2381	GARLK	417495	53X2476	GARLK	415150
53X2226	GARLK	417621	53X2312	GARLK	455024	53X2382	GARLK	417495	53X2477	GARLK	416127
53X2227	GARLK	416011	53X2313	GARLK	455024	53X2383	GARLK	417495	53X2480	GARLK	417503
53X2227	GARLK	417621	53X2314	GARLK	455024	53X2384	GARLK	415559	53X2484	GARLK	417504
53X2228	GARLK	416288	53X2321	GARLK	412473	53X2385	GARLK	415559	53X2485	GARLK	417504
53X2229	GARLK	416288	53X2321	GARLK	415894	53X2386	GARLK	415559	53X2486	GARLK	455032
53X2230	GARLK	416288	53X2322	GARLK	412473	53X2390	GARLK	417496	53X2487	GARLK	455032
53X2231	GARLK	417171	53X2322	GARLK	415894	53X2391	GARLK	417496	53X2488	GARLK	455032
53X2232	GARLK	417171	53X2323	GARLK	412473	53X2392	GARLK	417496	53X2492	GARLK	455189
53X2233	GARLK	417171	53X2323	GARLK	415894	53X2393	GARLK	415711	53X2493	GARLK	455189
53X2234	GARLK	417172	53X2324	GARLK	417191	53X2394	GARLK	415711	53X2494	GARLK	455189
53X2235	GARLK	417172	53X2324	GARLK	455165	53X2395	GARLK	415711	53X2501	GARLK	417211
53X2236	GARLK	417172	53X2325	GARLK	417191	53X2396	GARLK	417497	53X2502	GARLK	417211
53X2237	GARLK	416297	53X2325	GARLK	455165	53X2397	GARLK	417497	53X2503	GARLK	417211
53X2246	GARLK	415021	53X2326	GARLK	417191	53X2398	GARLK	417497	53X2504	GARLK	416345
53X2247	GARLK	415021	53X2326	GARLK	455165	53X2399	GARLK	417498	53X2505	GARLK	416345
53X2248	GARLK	415021	53X2327	GARLK	417354	53X2400	GARLK	417498	53X2505	GARLK	455033
53X2249	GARLK	456105	53X2328	GARLK	417354	53X2401	GARLK	417498	53X2506	GARLK	416345
53X2250	GARLK	456105	53X2329	GARLK	417354	53X2402	GARLK	55028	53X2506	GARLK	455033
53X2251	GARLK	456105	53X2330	GARLK	416321	53X2417	GARLK	416047	53X2507	GARLK	415697
53X2252	GARLK	417490	53X2336	GARLK	415025	53X2417	GARLK	416332	53X2507	GARLK	455547
53X2253	GARLK	417490	53X2337	GARLK	415025	53X2418	GARLK	416047	53X2508	GARLK	415697
53X2254	GARLK	417490	53X2338	GARLK	415025	53X2418	GARLK	416332	53X2508	GARLK	455547
53X2255	GARLK	455336	53X2342	GARLK	416327	53X2419	GARLK	416047	53X2509	GARLK	415697
53X2256	GARLK	455336	53X2345	GARLK	55419	53X2419	GARLK	416332	53X2509	GARLK	455547
53X2257	GARLK	455336	53X2346	GARLK	55419	53X2420	GARLK	415937	53X2510	GARLK	417366
53X2260	GARLK	6358	53X2347	GARLK	55419	53X2421	GARLK	415937	53X2511	GARLK	417366
53X2261	GARLK	417490	53X2348	GARLK	417493	53X2422	GARLK	415937	53X2512	GARLK	417366
53X2267	GARLK	455022	53X2349	GARLK	417493	53X2423	GARLK	417355	53X2513	GARLK	415958
53X2268	GARLK	455022	53X2350	GARLK	417493	53X2424	GARLK	417355	53X2513	GARLK	455958
53X2269	GARLK	455022	53X2354	GARLK	417494	53X2425	GARLK	417355	53X2516	GARLK	417505
53X2270	GARLK	476470	53X2355	GARLK	417494	53X2426	GARLK	416125	53X2519	GARLK	415034
53X2271	GARLK	476470	53X2356	GARLK	417494	53X2427	GARLK	416125	53X2520	GARLK	415034
53X2272	GARLK	455018	53X2357	GARLK	455026	53X2428	GARLK	416125	53X2520	GARLK	455034
53X2272	GARLK	476470	53X2358	GARLK	455026	53X2432	GARLK	417499	53X2521	GARLK	415304
53X2273	GARLK	417181	53X2359	GARLK	455026	53X2435	GARLK	415832	53X2521	GARLK	476470
53X2274	GARLK	417181	53X2363	GARLK	455471	53X2441	GARLK	417501	53X2525	GARLK	455191
53X2275	GARLK	417181	53X2364	GARLK	455471	53X2442	GARLK	417501	53X2527	GARLK	455191
53X2276	GARLK	418028	53X2365	GARLK	455471	53X2443	GARLK	417501	53X2528	GARLK	415263
53X2277	GARLK	418028	53X2366	GARLK	415991	53X2447	GARLK	55030	53X2529	GARLK	415263
53X2277	GARLK	455137	53X2366	GARLK	455146	53X2448	GARLK	55030	53X2530	GARLK	415263
53X2278	GARLK	418028	53X2367	GARLK	415991	53X2449	GARLK	55030	53X2531	GARLK	417506
53X2278	GARLK	455137	53X2367	GARLK	455146	53X2453	GARLK	416670	53X2532	GARLK	417506
53X2279	GARLK	417353	53X2368	GARLK	415991	53X2454	GARLK	416670	53X2533	GARLK	417506
53X2280	GARLK	417353	53X2368	GARLK	455146	53X2455	GARLK	416670	53X2537	GARLK	415035
53X2281	GARLK	417353	53X2369	GARLK	417196	53X2459	GARLK	417502	53X2537	GARLK	415953
53X2282	GARLK	456305	53X2370	GARLK	417196	53X2462	GARLK	415379	53X2538	GARLK	415035
53X2284	GARLK	416865	53X2371	GARLK	417196	53X2462	GARLK	455379	53X2538	GARLK	455035
53X2288	GARLK	415023	53X2372	GARLK	415437	53X2463	GARLK	415379	53X2539	GARLK	415035
53X2289	GARLK	415023	53X2373	GARLK	415437	53X2464	GARLK	415379	53X2539	GARLK	415953
53X2290	GARLK	415023	53X2373	GARLK	455173	53X2464	GARLK	455379	53X2540	GARLK	417356
53X2294	GARLK	455328	53X2374	GARLK	415437	53X2465	GARLK	417205	53X2540	GARLK	455188
53X2295	GARLK	455328	53X2374	GARLK	455173	53X2466	GARLK	417205	53X2541	GARLK	417356
53X2296	GARLK	455328	53X2375	GARLK	417198	53X2467	GARLK	417205	53X2541	GARLK	455188
53X2298	GARLK	417491	53X2376	GARLK	417198	53X2468	GARLK	416339	53X2542	GARLK	417356
53X2299	GARLK	417491	53X2377	GARLK	417198	53X2469	GARLK	416339	53X2542	GARLK	455188
53X2300	GARLK	415085	53X2378	GARLK	415027	53X2469	GARLK	455031	53X2543	GARLK	417357
53X2300	GARLK	456648	53X2379	GARLK	415027	53X2470	GARLK	416339	53X2543	GARLK	455192
53X2306	GARLK	416313	53X2379	GARLK	455027	53X2474	GARLK	415150	53X2544	GARLK	417357
53X2307	GARLK	416313	53X2380	GARLK	415027	53X2475	GARLK	415150	53X2544	GARLK	455192

INTERCHANGE SECTION

COMPETITIVE INTERCHANGES



Mfr No.	Mfr. National	Mfr No.	Mfr. National	Mfr No.	Mfr. National	Mfr No.	Mfr. National
53X2545	GARLK 417357	53X2659	GARLK 416556	53X2756	GARLK 416153	53X2849	GARLK 415066
53X2546	GARLK 416130	53X2659	GARLK 472157	53X2757	GARLK 416153	53X2850	GARLK 415066
53X2547	GARLK 416130	53X2660	GARLK 415196	53X2758	GARLK 416153	53X2851	GARLK 415066
53X2548	GARLK 416130	53X2661	GARLK 415196	53X2759	GARLK 416892	53X2858	GARLK 416163
53X2549	GARLK 415036	53X2662	GARLK 415196	53X2760	GARLK 416892	53X2859	GARLK 416163
53X2550	GARLK 415036	53X2663	GARLK 416891	53X2761	GARLK 416892	53X2860	GARLK 416163
53X2551	GARLK 415036	53X2664	GARLK 416891	53X2762	GARLK 417531	53X2864	GARLK 456890
53X2552	GARLK 417507	53X2665	GARLK 416891	53X2765	GARLK 416154	53X2865	GARLK 456890
53X2552	GARLK 455513	53X2666	GARLK 416135	53X2766	GARLK 416154	53X2866	GARLK 456890
53X2553	GARLK 417507	53X2669	GARLK 415045	53X2767	GARLK 416154	53X2873	GARLK 416167
53X2553	GARLK 455513	53X2670	GARLK 415045	53X2768	GARLK 416070	53X2873	GARLK 455091
53X2554	GARLK 417507	53X2671	GARLK 415045	53X2769	GARLK 416070	53X2874	GARLK 416167
53X2554	GARLK 455513	53X2675	GARLK 416137	53X2770	GARLK 416070	53X2874	GARLK 455091
53X2555	GARLK 415041	53X2676	GARLK 416137	53X2771	GARLK 415351	53X2875	GARLK 416167
53X2556	GARLK 415041	53X2677	GARLK 416137	53X2772	GARLK 415351	53X2875	GARLK 455091
53X2557	GARLK 415041	53X2678	GARLK 417518	53X2773	GARLK 415351	53X2876	GARLK 417267
53X2561	GARLK 417509	53X2679	GARLK 417518	53X2774	GARLK 417532	53X2877	GARLK 417267
53X2562	GARLK 417509	53X2680	GARLK 417518	53X2775	GARLK 417532	53X2878	GARLK 417267
53X2563	GARLK 417509	53X2681	GARLK 415058	53X2776	GARLK 417532	53X2879	GARLK 417269
53X2567	GARLK 417223	53X2682	GARLK 415058	53X2780	GARLK 417533	53X2880	GARLK 417269
53X2568	GARLK 417223	53X2683	GARLK 415058	53X2781	GARLK 417533	53X2881	GARLK 417269
53X2569	GARLK 417223	53X2684	GARLK 456141	53X2782	GARLK 417533	53X2894	GARLK 417539
53X2579	GARLK 455037	53X2687	GARLK 455197N	53X2786	GARLK 417534	53X2900	GARLK 417273
53X2580	GARLK 455037	53X2688	GARLK 455197N	53X2787	GARLK 417534	53X2901	GARLK 417273
53X2581	GARLK 455037	53X2689	GARLK 455197N	53X2788	GARLK 417534	53X2902	GARLK 417273
53X2600	GARLK 417511	53X2693	GARLK 417520	53X2792	GARLK 457585	53X2903	GARLK 417540
53X2601	GARLK 417511	53X2694	GARLK 417520	53X2798	GARLK 416156	53X2904	GARLK 417540
53X2602	GARLK 417511	53X2695	GARLK 417520	53X2799	GARLK 416156	53X2905	GARLK 417540
53X2603	GARLK 415142	53X2699	GARLK 416144	53X2801	GARLK 415371	53X2915	GARLK 415725
53X2604	GARLK 415142	53X2700	GARLK 416144	53X2802	GARLK 415371	53X2916	GARLK 415725
53X2605	GARLK 415142	53X2701	GARLK 416144	53X2803	GARLK 415371	53X2917	GARLK 415725
53X2609	GARLK 417512	53X2705	GARLK 417238	53X2804	GARLK 455685	53X2918	GARLK 417584
53X2610	GARLK 417512	53X2708	GARLK 415425	53X2805	GARLK 455685	53X2921	GARLK 416865
53X2611	GARLK 417512	53X2711	GARLK 416380	53X2806	GARLK 455685	53X2922	GARLK 416865
53X2615	GARLK 415043	53X2712	GARLK 415196	53X2807	GARLK 416158	53X2922	GARLK 455070
53X2616	GARLK 415043	53X2713	GARLK 415196	53X2808	GARLK 416158	53X2923	GARLK 416865
53X2617	GARLK 415043	53X2717	GARLK 415047	53X2809	GARLK 416158	53X2924	GARLK 417278
53X2621	GARLK 455203	53X2718	GARLK 415047	53X2813	GARLK 415064	53X2926	GARLK 417278
53X2622	GARLK 455203	53X2719	GARLK 415047	53X2814	GARLK 415064	53X2927	GARLK 417541
53X2623	GARLK 455203	53X2723	GARLK 416149	53X2815	GARLK 415064	53X2928	GARLK 417541
53X2627	GARLK 455056	53X2724	GARLK 416149	53X2825	GARLK 417535	53X2929	GARLK 417541
53X2628	GARLK 455056	53X2725	GARLK 416149	53X2826	GARLK 417535	53X2933	GARLK 417542
53X2629	GARLK 455056	53X2726	GARLK 417522	53X2827	GARLK 417535	53X2934	GARLK 417542
53X2630	GARLK 455194	53X2729	GARLK 415060	53X2831	GARLK 417536	53X2935	GARLK 417542
53X2631	GARLK 455194	53X2730	GARLK 415060	53X2832	GARLK 417536	53X2936	GARLK 417543
53X2632	GARLK 455194	53X2731	GARLK 415060	53X2833	GARLK 417536	53X2937	GARLK 417543
53X2636	GARLK 417513	53X2738	GARLK 417525	53X2834	GARLK 417537	53X2938	GARLK 417543
53X2637	GARLK 417513	53X2739	GARLK 417525	53X2835	GARLK 417537	53X2941	GARLK 417544
53X2638	GARLK 417513	53X2740	GARLK 417525	53X2836	GARLK 417537	53X2951	GARLK 417545
53X2642	GARLK 417514	53X2744	GARLK 417526	53X2837	GARLK 415138	53X2960	GARLK 455290
53X2643	GARLK 417514	53X2745	GARLK 417526	53X2838	GARLK 415138	53X2961	GARLK 455290
53X2644	GARLK 417514	53X2746	GARLK 417526	53X2839	GARLK 415138	53X2962	GARLK 455290
53X2648	GARLK 417515	53X2750	GARLK 415351	53X2840	GARLK 417538	53X2990	GARLK 416557
53X2654	GARLK 417516	53X2751	GARLK 415351	53X2842	GARLK 417538	53X2992	GARLK 416557
53X2655	GARLK 417516	53X2752	GARLK 415351	53X2843	GARLK 417247	53X2993	GARLK 417258
53X2656	GARLK 417516	53X2753	GARLK 416888	53X2844	GARLK 417247	53X2996	GARLK 417546
53X2657	GARLK 455195	53X2754	GARLK 416888	53X2845	GARLK 417247	53X2997	GARLK 417546
53X2657	GARLK 472157	53X2754	GARLK 455200	53X2846	GARLK 417252	53X2998	GARLK 417546
53X2658	GARLK 455195	53X2755	GARLK 416888	53X2847	GARLK 417252	53X2999	GARLK 417547
53X2658	GARLK 472157	53X2755	GARLK 455200	53X2848	GARLK 417252	53X3000	GARLK 417547

INTERCHANGE SECTION

COMPETITIVE INTERCHANGES

Mfr No.	Mfr.	National	Mfr No.	Mfr.	National	Mfr No.	Mfr.	National	Mfr No.	Mfr.	National
53X3001	GARLK	417547	53X3276	GARLK	417362	53X3464	GARLK	417596	53X3673	GARLK	417020
53X3030	GARLK	417548	53X3277	GARLK	417362	53X3465	GARLK	417596	53X3676	GARLK	417570
53X3032	GARLK	417548	53X3278	GARLK	417363	53X3474	GARLK	455948	53X3677	GARLK	417570
53X3033	GARLK	417548	53X3281	GARLK	416666	53X3482	GARLK	455584	53X3680	GARLK	415227
53X3034	GARLK	417548	53X3282	GARLK	416666	53X3483	GARLK	455584	53X3694	GARLK	415482
53X3059	GARLK	417262	53X3283	GARLK	416666	53X3492	GARLK	416364	53X3705	GARLK	415076
53X3060	GARLK	417262	53X3284	GARLK	417364	53X3493	GARLK	416364	53X3737	GARLK	55103S
53X3060	GARLK	455448	53X3293	GARLK	416039	53X3496	GARLK	417597	53X3775	GARLK	455330
53X3061	GARLK	417262	53X3296	GARLK	416039	53X3497	GARLK	417597	53X3924	GARLK	417602
53X3061	GARLK	455448	53X3322	GARLK	416476	53X3500	GARLK	416239	53X3925	GARLK	417602
53X3062	GARLK	417358	53X3322	GARLK	455075	53X3501	GARLK	416239	53X3932	GARLK	455123
53X3065	GARLK	415645	53X3323	GARLK	416476	53X3504	GARLK	417564	53X3937	GARLK	417603
53X3065	GARLK	455104	53X3323	GARLK	455075	53X3505	GARLK	417564	53X3945	GARLK	417567
53X3066	GARLK	415645	53X3324	GARLK	416476	53X3514	GARLK	416077	53X3949	GARLK	455966
53X3066	GARLK	455104	53X3324	GARLK	455075	53X3515	GARLK	416077	53X3951	GARLK	415128
53X3067	GARLK	415645	53X3331	GARLK	455297	53X3518	GARLK	416044	53X3954	GARLK	455462
53X3067	GARLK	455104	53X3332	GARLK	455297	53X3519	GARLK	416044	53X3965	GARLK	416257
53X3068	GARLK	417359	53X3333	GARLK	455297	53X3526	GARLK	415116	53X3967	GARLK	415219
53X3070	GARLK	417359	53X3347	GARLK	417780	53X3527	GARLK	415116	53X3975	GARLK	415871
53X3071	GARLK	417549	53X3348	GARLK	417780	53X3536	GARLK	455117	53X3984	GARLK	417606
53X3095	GARLK	417550	53X3349	GARLK	417780	53X3537	GARLK	455117	53X3996	GARLK	417020
53X3096	GARLK	417550	53X3355	GARLK	415683	53X3538	GARLK	415317	53X3998	GARLK	417020
53X3097	GARLK	417550	53X3356	GARLK	415683	53X3539	GARLK	415317	53X4016	GARLK	415227
53X3122	GARLK	417551	53X3357	GARLK	415683	53X3544	GARLK	415867	53X4057	GARLK	415077
53X3123	GARLK	417551	53X3358	GARLK	417365	53X3545	GARLK	415867	53X4058	GARLK	415077
53X3124	GARLK	417551	53X3359	GARLK	417365	53X3552	GARLK	415551	53X4059	GARLK	415077
53X3125	GARLK	455576	53X3360	GARLK	417365	53X3553	GARLK	415551	53X4062	GARLK	415076
53X3126	GARLK	455576	53X3367	GARLK	415072	53X3557	GARLK	415116	53X4184	GARLK	55103S
53X3127	GARLK	455576	53X3368	GARLK	415072	53X3558	GARLK	416102	53X4502	GARLK	417603
53X3128	GARLK	415938	53X3369	GARLK	415072	53X3566	GARLK	417598	53X4503	GARLK	417940
53X3129	GARLK	415938	53X3370	GARLK	415072	53X3567	GARLK	417598	53X4503	GARLK	55301S
53X3130	GARLK	415938	53X3375	GARLK	455330	53X3578	GARLK	455406	53X4505	GARLK	455476
53X3131	GARLK	417554	53X3376	GARLK	455330	53X3579	GARLK	455406	53X4506	GARLK	456462
53X3132	GARLK	417554	53X3377	GARLK	455330	53X3588	GARLK	455121	53X4507	GARLK	455462
53X3133	GARLK	417554	53X3384	GARLK	415074	53X3589	GARLK	455121	53X4517	GARLK	55078S
53X3155	GARLK	55357	53X3385	GARLK	415074	53X3592	GARLK	415656	53X4587	GARLK	416394
53X3156	GARLK	55357	53X3386	GARLK	415074	53X3593	GARLK	415656	53X4929R1	GARLK	417606
53X3157	GARLK	55357	53X3387	GARLK	415074	53X3596	GARLK	417600	53X4966F1	GARLK	417247
53X3176	GARLK	417254	53X3394	GARLK	455480	53X3597	GARLK	417600	53X4991R1	GARLK	415294
53X3177	GARLK	417254	53X3395	GARLK	455480	53X3600	GARLK	417601	53X5049R1	GARLK	415034
53X3178	GARLK	417254	53X3396	GARLK	455480	53X3601	GARLK	417601	53X5201F1	GARLK	417211
53X3179	GARLK	417360	53X3397	GARLK	455480	53X3602	GARLK	417602	53X5280F1	GARLK	415036
53X3180	GARLK	417360	53X3402	GARLK	417562	53X3607	GARLK	415124	53X5319F1	GARLK	417492
53X3181	GARLK	417360	53X3403	GARLK	417562	53X3609	GARLK	417022	53X5332F1	GARLK	416321
53X3182	GARLK	416107	53X3404	GARLK	417562	53X3610	GARLK	417604	53X5492F1	GARLK	415041
53X3183	GARLK	416107	53X3405	GARLK	417562	53X3611	GARLK	417567	53X5512F1	GARLK	415304
53X3183	GARLK	455073	53X3421	GARLK	417563	53X3613	GARLK	415128	53X5512F1	GARLK	476470
53X3184	GARLK	416107	53X3422	GARLK	417563	53X3614	GARLK	455129	53X5646F1	GARLK	416125
53X3184	GARLK	455073	53X3423	GARLK	417563	53X3615	GARLK	55301S	53X5683F1	GARLK	417603
53X3185	GARLK	417361	53X3424	GARLK	417563	53X3617	GARLK	455476	53X5831F1	GARLK	416888
53X3190	GARLK	415610	53X3426	GARLK	415294	53X3618	GARLK	456462	53X5923F1	GARLK	415610
53X3200	GARLK	456192	53X3426	GARLK	455294	53X3619	GARLK	455462	53X5949R1	GARLK	415090
53X3228	GARLK	417555	53X3427	GARLK	415294	53X3623	GARLK	415090	53X6089R1	GARLK	416077
53X3229	GARLK	417555	53X3427	GARLK	455294	53X3624	GARLK	415090	53X6146R1	GARLK	415074
53X3230	GARLK	417555	53X3434	GARLK	416229	53X3633	GARLK	415219	53X6433	GARLK	416364
53X3234	GARLK	417556	53X3435	GARLK	416229	53X3634	GARLK	415871	53X6433F1	GARLK	416364
53X3235	GARLK	416288	53X3444	GARLK	417298	53X3646	GARLK	417606	53X6434R1	GARLK	417357
53X3236	GARLK	417556	53X3445	GARLK	417298	53X3648	GARLK	417606	53X6435	GARLK	415962
53X3240	GARLK	417040	53X3460	GARLK	415327	53X3654	GARLK	55078S	53X6437F1	GARLK	416239
53X3275	GARLK	417362	53X3461	GARLK	415327	53X3660	GARLK	417605	53X6484F1	GARLK	415304

INTERCHANGE SECTION

COMPETITIVE INTERCHANGES



Mfr No.	Mfr. National	Mfr No.	Mfr. National	Mfr No.	Mfr. National	Mfr No.	Mfr. National
53X6484F1	GARLK 476470	54035	GARLK 417356	541487M1	MASSE 350954	54417	SPICE 710920
53X6590F1	GARLK 416047	54040008	TROS 417507	541487M1	MASSE 470954	5441B	JN-MN 470347
53X6590F1	GARLK 416332	54042	IPS 1994	5414B	JN-MN 410190	5441B	JN-MN 474254
53X6603F1	GARLK 415725	54046	IPS 1953	5414LUP	JN-MN 410190	5442	LAU 470954
53X6661F1	GARLK 417600	54050600	AJUSA 710237	54154100010	STERL 712551	5442B	JN-MN 471684
53X6711R1	GARLK 415725	54053	IPS 473823	541606	C-R 415449V	5442B	JN-MN 471698
53X6760F1	GARLK 417603	54055	GARLK 417357	541606	SKF 415449V	54435612	TROS 370023A
53X6872R1	GARLK 417362	5406	BORGW 323138	5416B	JN-MN 473235	54435612	TROS 380023A
53X6891F1	GARLK 416239	5406	NATL 6481S	541845M1	MASSE 340413	544386R91	IH 473517
53X6920F1	GARLK 415294	54060	IPS 224045	5419	TIMKE 5419	5444	HART 471255
53X6978F1	GARLK 416380	540603	SPERY 471231	541934	ALLCH 480630	544452	GMC 332062
53X7115F1	GARLK 415991	540708	C-R 370132A	542	GARLK 471801	5444B	JN-MN 471730
53X7115F1	GARLK 415991N	540708	SKF 370132A	542030	ELRNG 711001	5445	LAU 471267
53X7151F1	GARLK 415645	540710	C-R 370048A	542126R91	IH 471801	544544	WHITE 370036A
53X7155F1	GARLK 415072	540710	C-R 370182A	542127R91	IH 471733	544544	WHITE 370349A
53X7233F1	GARLK 415551	540710	C-R 380048A	542134R91	IH 471760	544544	WHITE 380036A
53X7289F1	GARLK 417191	540710	SKF 370048A	54215D	IH 472179	54455	GARLK 416888
53X7402F1	GARLK 415088	540710	SKF 370182A	54220S	TROS 5487	544570	VIC 370019A
53X7433F1	GARLK 415072	540710	SKF 380048A	542390	C-R 477163N	544570	VOLVO 370019A
53X7433R1	GARLK 415072	5408	TIMKE 5408	542390	SKF 477163N	544570	WHITE 370019A
53X7436F1	GARLK 415327	540856	CONTI 415137	5423B	JN-MN 415047	544630	VIC 370023A
53X7448F1	GARLK 415036	540856	CONTI 418028	5424	TIMKE 5424	544630	VIC 380023A
53X7670F1	GARLK 415304	54089	TROS 417487	54255	GARLK 416556	544630	WHITE 370023A
53X7670F1	GARLK 476470	54089	TROS 455086	54255	GARLK 472157	544630	WHITE 380023A
53X7673F1	GARLK 417020	54091	IPS 225005	542591	ALLCH 411394	544631	SPICE 450316
53X7686F1	GARLK 415041	54094	IPS 1012N	542591	ALLCH 450317	544631	SPICE 472636
53X7880F1	GARLK 416556	54096	IPS 1180	54260	TROS 224045	544632	SPICE 450082
53X7880F1	GARLK 472157	54097	IPS 1955	54261	TROS 470898	544632	SPICE 473238
53X7909F1	GARLK 417606	540977	BENDI 471570	54274	DANA 710454	544692	WHITE 370036A
53X7953	GARLK 415577	54098	IPS 223605	54274	SPICE 710454	544692	WHITE 370349A
53X8149F1	GARLK 415294	541	GARLK 471192	54275	GARLK 415196	544692	WHITE 380036A
53X8216F1	GARLK 415327	5410	C-R 221410	542895	C-R 370023A	544693	VIC 370021A
53X8306F1	GARLK 416107	5410	HART 480210	542895	C-R 380023A	544693	WHITE 370021A
53X8311F1	GARLK 415437	5410	LAU 480210	542895	SKF 370023A	544694	VIC 370003A
53X8319F1	GARLK 416321	5410	SKF 221410	542895	SKF 380023A	544694	VIC 380003A
53X8531F1	GARLK 416670	5410SH	JN-MN 41264S	54297	GWJ 471570	544694	WHITE 370003A
53X8663R1	GARLK 417541	5410SS	JN-MN 471264	5431	FULLE 412871	544694	WHITE 380003A
53X8683F1	GARLK 417511	5411	LAU 471255	5431	FULLE 450329	544694D6	DIA 370003A
53X8932R1	GARLK 415725	54115147	AUDI 1108	54317C	DIA 474276	544695	VIC 370030A
53X8996F1	GARLK 416154	54115147	SEAT 1108	543188	C-R 483793	544695	VOLVO 370030A
53X9209F1	GARLK 412473	54115147	SKODA 1108	543188	SKF 483793	544695	WHITE 370030A
53X9209F1	GARLK 415894	54115147	VW 1108	5432	FULLE 473473	54475	GARLK 416153
53X9347F1	GARLK 416158	54117	IPS 1208	5433	TIMKE 5433	544782R91	IH 46997S
53X9401R1	GARLK 417355	54119	IPS 1012N	54330	C-R 710421	54498	GARLK 416892
53X9664R1	GARLK 417596	5412	HART 470027	54330	SKF 710421	54501S	TROS 9613S
53X9724	GARLK 417487	5412	HART 471554	5435	HART 471570	5452	LAU 471466
53X9724	GARLK 455086	54125A	GWJ 471763	5435	LAU 471570	54520	SPICE 710494
53X9780	GARLK 415294	54126A	GWJ 471760	5435B	JN-MN 417273	545290	GIB 415035
53X9780	GARLK 455294	54127	DANA 710919	5436	HART 470120	545290	GIB 455035
54	UNIVE 470027	54127	SPICE 710919	5436	HART 471224	545298	WHITE 470064
54	UNIVE 471554	5413	C-R 710116	5436	LAU 470120	545298	WHITE 471821
5401	TIMKE 5401	5413	SKF 710116	5436	LAU 471224	545327	BOWEN 471191
540115	BENDI 471466	54131	IPS 239146	5438	LAU 470219	545333	KEN 472029
540166	SPERY 203020	54134	IPS 1213N	5438	LAU 471649	54533HA	IH 415437
54017	IPS 1955	5414	TIMKE 5414	54381	DANA 710863	54534HA	IH 415437
54021	TROS 455018	54140	TROS 6781	54381	SPICE 710863	5453528	GMC 471442
54021	TROS 476470	541478	C-R 1999	5438B	JN-MN 417211	545364	ALLCH 415281N
54026	IPS 224045	541478	SKF 1999	5439LA	JN-MN 413478	545376	CONDC 415551
5403	TIMKE 5403	541485M1	MASSE 353132	5439LUP	JN-MN 413478	54539	MC-CL 473230
54031	IPS 224270	541486M1	MASSE 340817	54417	DANA 710920	5454	LAU 470328

INTERCHANGE SECTION

COMPETITIVE INTERCHANGES

Mfr No.	Mfr.	National	Mfr No.	Mfr.	National	Mfr No.	Mfr.	National	Mfr No.	Mfr.	National
5454	LAU	481213	548347C91	IH	380003A	54972	C-R	416107	5506SS	JN-MN	471255
545458	WHITE	473473	548349	ALLCH	473474	54972	SKF	416107	5507	C-R	710820
5455	LAU	470606	5483B	JN-MN	415960	549818	US-EL	352541	5507	SKF	710820
5458	TIMKE	5458	5483B	JN-MN	455009	54X82X10	NATL	225450	55073R91	IH	471532
5459	LAU	471442	5484	CHAMP	470954	55	UNIVE	450030	55077AX	OSHKO	471267
5459B	JN-MN	415072	5484	CHAMP	480954	55	UNIVE	474253	55078S	TIMKE	55078S
5460	TIMKE	5460	54840009	TROS	415041	55S282	LETN	416364	55079A	OSHKO	415899N
5460B	JN-MN	417562	54840014	TROS	370036A	55S556	LETN	455556	55079A	OSHKO	416624N
5461B	JN-MN	417596	54840014	TROS	370349A	550074	C-R	472311	55080	GARLK	416865
5462	LAU	7014S	54840014	TROS	380036A	550074	SKF	472311	55087	BOSTN	471281
54625	GARLK	415138	54840809	TROS	415043	550085	C-R	451948	550914R91	IH	470120
5463	LAU	450431	54843209	TROS	370022A	550085	SKF	451948	550914R91	IH	471224
5463	LAU	471539	54843209	TROS	380022A	550088	CLARK	450389	55093	ONAN	416888
54645	GARLK	417247	54844009	TROS	415371	550088	CLARK	472492	55093	ONAN	455200
546494D6	DIA	370003A	54844409	TROS	415284	5500R	JN-MN	473458	55094	AM WH	417488
5464R	JN-MN	416956	54844412C	TROS	6329S	5501	ALOY	2146	550H2	WHITE	471466
5465	LAU	470120	54844809	TROS	415138	550154	C-R	1012N	550W662	CONE	5146
5465	LAU	471224	5484B	JN-MN	415023	550154	C-R	471831	5510	C-R	313156
5465R	JN-MN	450094	5485B	JN-MN	416891	550154	SKF	1012N	5510	SKF	313156
5465R	JN-MN	473462	54861	TROS	471224	550154	SKF	471831	55102S	TROS	415302
5466	LAU	340771	5486B	JN-MN	415072	550185	C-R	473455	55103S	TIMKE	55103S
546667	GMC	416239	5487	TIMKE	5487	550185	SKF	473455	55108	NATL	457874
5466B	JN-MN	450095	5487B	JN-MN	416239	550199	C-R	224045	55108	WMG	457874
5466B	JN-MN	473464	5488B	JN-MN	417556	550199	SKF	224045	5511068	AM HO	5965
5466LPD	JN-MN	450095	548913	CHRY5	415988	5502	SABO	710848	551123	GMC	472082
5466LPD	JN-MN	473464	5489B	JN-MN	417357	550217	C-R	1174	55118	C-R	710406
5467	LAU	481644	5489B	JN-MN	455192	550217	SKF	1174	55118	SKF	710406
5467R	JN-MN	450301	5489LPD	JN-MN	417357	550224	C-R	1167	55119	C-R	710406
5467R	JN-MN	472397	5489LPD	JN-MN	455192	550224	SKF	1167	55119	SKF	710406
5468	LAU	441130	5489LUP	JN-MN	417357	550228	C-R	1183	5511LA	JN-MN	450803
5468B	JN-MN	416891	5489LUP	JN-MN	455192	550228	SKF	1183	5512	TIMKE	5512
5469B	JN-MN	415219	548ED	CALI	415295	550230	C-R	224045	55120	C-R	710406
546D	CALI	416666	549	HART	451583	550230	SKF	224045	55120	SKF	710406
546ED	CALI	455330	549	LAU	451583	550231	C-R	223542	55121	C-R	710406
547	HART	450040	5490B	JN-MN	455197N	550231	SKF	223542	55121	SKF	710406
547	LAU	450040	5491B	JN-MN	417507	550234	C-R	1177	55130	GARLK	417278
5470	LAU	470219	5491B	JN-MN	455513	550234	SKF	1177	55131	TROS	6815
5470	LAU	471649	54923	C-R	476842	550237	C-R	224205	55131AX	OSHKO	415137
547253	GMC	9845	54923	SKF	476842	550237	SKF	224205	55131AX	OSHKO	418028
5472B	JN-MN	474255	54928	CHRY5	5M81	550244	C-R	470460	55136	NATL	455136
5473SS	JN-MN	471442	54929	C-R	6872S	550244	SKF	470460	551377	ADAMS	411245
5475	C-R	370023A	54929	SKF	6872S	550247	C-R	1217	551377	ADAMS	455096
5475	C-R	380023A	54931	C-R	417254	550247	SKF	1217	55157	C-R	417361
5475	NATL	370024A	54931	SKF	417254	550270	C-R	1174	55157	SKF	417361
5475	NATL	5667	54934	C-R	417254	550270	C-R	710309	55172	C-R	370043A
5475	SKF	370023A	54934	SKF	417254	550270	SKF	1174	55172	C-R	370120A
5475	SKF	380023A	54949	C-R	417360	550270	SKF	710309	55172	SKF	370043A
5475	WMG	370024A	54949	SKF	417360	55028	TIMKE	55028	55172	SKF	370120A
54760	TROS	224040	54959	C-R	416107	55030	GARLK	415725	55175	C-R	370120A
547915C91	IH	370065A	54959	SKF	416107	55030	TIMKE	55030	55175	SKF	370120A
547915C91	IH	376590A	54960	C-R	416107	55032	NATL	455032	55177	C-R	370120A
547915C91	IH	380065A	54960	SKF	416107	550416	GR-DV	416888	55177	SKF	370120A
547915C91	NAVST	370065A	54971	C-R	416107	550416	GR-DV	455200	55179	C-R	456192
547915C91	NAVST	376590A	54971	SKF	416107	550416	MINMA	416888	55179	SKF	456192
547915C91	NAVST	380065A	549712R1	IH	470954	550416	MINMA	455200	551837R91	IH	470163
5481	TIMKE	5481	549712R1	IH	480954	550450	CLARK	45827S	551837R91	IH	471766
548212	ALLCH	473226	54971R	CASE	470954	55048	FAIRB	416891	55199	WMG	457295
548342	ALLCH	450519	54971R	CASE	480954	55048	GOODM	416891	55202	TROS	370009A
548342	ALLCH	471271	54971R1	CASE	470954	55048	GR-DV	416891	55202	TROS	380009A
548347C91	IH	370003A	54971R1	CASE	480954	55048K	GOODM	416891	5520814	GMC	415995

INTERCHANGE SECTION

COMPETITIVE INTERCHANGES



Mfr No.	Mfr.	National	Mfr No.	Mfr.	National	Mfr No.	Mfr.	National	Mfr No.	Mfr.	National
5520814	GMC	455013	55365	NATL	327303	555383R91	IH	473438	556672R91	IH	471504
5521	FULLE	410496	5536LA	JN-MN	450185	555384R91	IH	450316	556754	ACF	471689
552102R91	IH	470027	5536LA	JN-MN	473229	555384R91	IH	472636	5567SS	JN-MN	471255
552102R91	IH	471554	5536LUP	JN-MN	450185	555385R91	IH	474274	556939	CHRYS	450094
5521431200	HYUND	2146	5536LUP	JN-MN	473229	555386R91	IH	473466	556939	CHRYS	473462
55215S	TROS	5458	5537	TIMKE	5537	555387R91	IH	50081	556976	CHRYS	410308
5522	C-R	314259	553778	VIC	370048A	555388R91	IH	471747	556976	CHRYS	450308
5522	SKF	314259	553778	VIC	370182A	555388R91	IH	472674	556D5	DIA	415009N
55224	BOSTN	471538	553778	VIC	380048A	555389R91	IH	450070	556D5	WHITE	475009N
55225	BOSTN	471612	553778	WHITE	370048A	555389R91	IH	472185	55702S	TROS	415371
55226	BOSTN	473380	553778	WHITE	370182A	555390R91	IH	473225	5570LA	JN-MN	450069
55230	TROS	473228	553778	WHITE	380048A	555391R91	IH	470712	5570LA	JN-MN	473232
55230	TROS	51098	5538	TIMKE	5538	555392R91	IH	470120	5571	DIVCO	416738
552330	WHITE	471870	55382R91	IH	450043	555392R91	IH	471224	5571	DIVCO	450096
552330	WHITE	471883	55382R91	IH	473419	555394R91	IH	471137	55710	GARLK	417361
55236	NATL	415577	5539B	JN-MN	450444	555395R91	IH	471137	557197	CHRYS	473438
55238	TIMKE	55238	5539B	JN-MN	471835	555396R91	IH	470163	5571LA	JN-MN	450311
55246	NATL	416919N	55400	GARLK	415645	555396R91	IH	471766	5571LPD	JN-MN	450311
55249	NATL	455249	5541	C-R	472705	555397R91	IH	470045	5572LA	JN-MN	450194
55252	HYST	471466	5541	SKF	472705	555397R91	IH	476838	5572LA	JN-MN	473010
552571	GMC	8610	55419	TIMKE	55419	555398R91	IH	450043	557369M1	MASSE	473214
552572	GMC	8610	5542LPD	JN-MN	455655	555398R91	IH	473419	5573LA	JN-MN	470548
552573	GMC	8610	5543	C-R	472705	55548	TIMKE	55548	5573LA	JN-MN	470625
5526	TIMKE	5526	5543	SKF	472705	55555805	ALFAR	710811	5573S	TIMKE	5573
5527	TIMKE	5527	554361	FRUEH	370020A	55555805	FIAT	710811	5574LA	JN-MN	450067
5527S	TIMKE	5527	55436AM	IH	450066	55555805	GMC	710811	5574LA	JN-MN	473228
5528LA	JN-MN	410520	55436AM	IH	473367	55555805	OPEL	710811	557500	ACF	413246
5528LA	JN-MN	471272	55442	NATL	415442	55557231	SAAB	710580	557500	ACF	413246N
55293	NATL	417584	55447	NATL	415447	55557240	SAAB	3772	55755SA	TRSCM	456192
55301S	TIMKE	55301S	55450	GARLK	417359	55558S	NATL	417780	5576	NATL	5650
5531	TIMKE	5531	554631	GMC	8660S	55563	TIMKE	55563	557627	ACF	415483
5531	TMTR	450446	5546315	SPICE	350823	55563	WMG	415563	557627	ACF	455368
55310	GARLK	417278	5546315	SPICE	473454	55563	WMG	417433	5576SS	JN-MN	414045
553104	C-R	221607	554633	SPICE	470059	55563374	GMC	714436	557782	GMC	472439
553104	SKF	221607	554633	SPICE	470380	55564509	GMC	224200	5579	HYST	473438
55317	NATL	415317	554634	SPICE	471763	55566S	WMG	455566	5579448	AMGEN	714675
55317	WMG	415317	554635	SPICE	350823	5558B	JN-MN	417604	55805D	IH	473245
5532	ALOY	8610	554635	SPICE	473454	5562	ALOY	7607	55820R91	IH	5MR1009
5532	TIMKE	5532	554636	SPICE	470358	55620	BOSTN	471276	55823R1	IH	5MR1009
5532	TMTR	412473	554636	SPICE	473231	55620	BOSTN	471276V	558245	CHRYS	450073
5532	TMTR	415894	554637	SPICE	472041	55620	GARLK	417254	5582LA	JN-MN	450519
5532LA	JN-MN	417211	554637	SPICE	473454	55621	BOSTN	412920	5582LA	JN-MN	471271
5533	ALOY	8660S	55469	TIMKE	55469	55621	BOSTN	472950	5583LPD	JN-MN	471747
55336	BOSTN	471686	55471	C-R	416191	55622	BOSTN	472681	5583LPD	JN-MN	472674
55337	TIMKE	55337	55471	SKF	416191	55622	BOSTN	473259	55850	GARLK	417362
5533LA	JN-MN	416229	55474	SPICE	710685	55623	BOSTN	473427	55857	NATL	415857
553408	VIC	370048A	55475	BOSTN	472951	556231	GMC	472439	55858	NATL	455858
553408	VIC	370182A	55475	BOSTN	474252	55630TB	TRSCM	6872S	55861	GMC	470045
553408	VIC	380048A	55475	NATL	455475	5564	ALOY	2506	55861	GMC	476838
553408	WHITE	370048A	55476	BOSTN	472649	556452	ACF	415371	55865C1	IH	41461S
553408	WHITE	370182A	55477	BOSTN	472642	5565	ALOY	410059	55879D	IH	415147
553408	WHITE	380048A	55477	BOSTN	472642V	5565	ALOY	470380	55879D	IH	415449
5534LA	JN-MN	413247	55478	BOSTN	472644	5565	ALOY	472189A	5589	TIMKE	5589
5534LA	JN-MN	450350	55478	BOSTN	472644V	5565	ALOY	9613S	55890	GARLK	417363
55350	GARLK	417358	554D	CALI	415009	55650	GARLK	417360	55904	BOSTN	472954
55353	TIMKE	55353	554D	CALI	415960	556514C91	IH	291099	55904	BOSTN	472954V
55353153	GMC	3543	55504S	TROS	7412S	5566	ALOY	331301N	55905	BOSTN	472658
55357	TIMKE	55357	55524	TIMKE	55524	5566	ALOY	9015S	55905	BOSTN	473197
5535LA	JN-MN	473225	555382R91	IH	450043	556623	ACF	417252	55906	BOSTN	470596
55360	TROS	470712	555382R91	IH	473419	556672R91	IH	470351	55906	BOSTN	470596V

INTERCHANGE SECTION

COMPETITIVE INTERCHANGES

Mfr No.	Mfr.	National	Mfr No.	Mfr.	National	Mfr No.	Mfr.	National	Mfr No.	Mfr.	National
55907	BOSTN	470806	5606LA	JN-MN	417273	5629R	JN-MN	471744	5662200	GMC	340151
55908C	DIA	5401	5607	HYST	470050	56305	GOODM	240698	5662B	JN-MN	471760
5591	TIMKE	5591	56071R91	IH	476283N	56306	BOSTN	415001	56630H	IH	410737
55910	GARLK	416666	560754C1	IH	470898	56307	BOSTN	417474	56630H	IH	450737
5591SS	JN-MN	481528	5609LA	JN-MN	417602	56309	BOSTN	473243	566330	US-EL	470062
55925	GARLK	417364	5609LUP	JN-MN	417602	5630LA	JN-MN	450118	566330	US-EL	474264
5592B	JN-MN	450279	56101	C-R	417555	5630LA	JN-MN	473449	5663766	GMC	350954
5592EL	SUL	473245	56101	SKF	417555	5630LUP	JN-MN	473449	5663766	GMC	470954
55949	EARTH	450161	56101	TROS	416273	563149R91	IH	6575S	5663834	GMC	471413
55949	EARTH	471764	56103	C-R	5146	5632LPD	JN-MN	413472	5663837	GMC	351267
5594LA	JN-MN	415371	56103	SKF	5146	5633R	JN-MN	473447	5663837	GMC	471267
5594LUP	JN-MN	415371	56103085	VW	3476	56343	NOVI	450494	5664016	GMC	471466
55962	EARTH	472012	56109	L&S	457874	56343	NOVI	472164	56641S	TROS	3103
5597027	AMC	481837	5610LUP	JN-MN	415072	563578	CHRYS	415234	5664459	GMC	471646
5597027	AMGEN	481837	56110	BORGW	473463	563653	CHRYS	481864	5664690	GMC	323138
5597LUP	JN-MN	472185	5611LA	JN-MN	472144	563722	CHRYS	450076	5665LA	JN-MN	471466
5598	ALOY	8705S	5611TA	OSHKO	370036A	563722	CHRYS	470334	5666	TIMKE	5666
5598LUP	JN-MN	415001	5612LA	JN-MN	450301	5639B	JN-MN	473426	56660	TROS	471195
5599	ALOY	8594S	5612LA	JN-MN	472397	5640LA	JN-MN	470045	56660	TROS	481195
559921	MC-CL	5573	5613	TIMKE	5613	5640LA	JN-MN	476838	56665TA	TRSCM	417555
559922R91	IH	340823	561328C91	IH	410312N	56411	BOSTN	477105	5666LA	JN-MN	470120
5599LA	JN-MN	450194	561347R91	IH	471571	564403R91	IH	203008	5666LA	JN-MN	471224
5599LA	JN-MN	473010	56136	C-R	417556	5644LA	JN-MN	473215	5667	NATL	370023A
55HB122	BRADF	470163	56136	SKF	417556	5644LUP	JN-MN	473215	5667	NATL	370024A
55HB122	BRADF	471766	5613LA	JN-MN	415960	5645	TIMKE	5645	5667	TIMKE	5667
55HB123	BRADF	472015	5613LA	JN-MN	455009	564592R91	IH	350414	566701R91	IH	6590S
56	UNIVE	471570	5613LPD	JN-MN	415960	564592R91	IH	472311	56685TA	TRSCM	417556
5636816	OPEL	225020	5613LPD	JN-MN	455009	564631	SPICE	471820	5669LA	JN-MN	450154
5600	ALOY	5699	56147	TROS	6960	564632	SPICE	471646	5669LA	JN-MN	473234
56000	BOSTN	472655	56149	BOSTN	472660	5646OSR	JN-MN	417538	5670060	GMC	473237
560007R91	IH	472164	56150	BOSTN	472651V	5647B	JN-MN	470074	56715TA	TRSCM	417040
56001	BOSTN	472953	56151	BOSTN	472653	5647B	JN-MN	474265	5671B	JN-MN	471466
56002	BOSTN	471904	5615B	JN-MN	416666	5649	NATL	370047A	567236	CHRYS	413469
5601	TIMKE	5601	56160	C-R	417040	5649	TIMKE	5649	5672855	GMC	7412S
560116R91	IH	450444	56160	SKF	417040	5649B	JN-MN	417554	5672997	GMC	471689
560116R91	IH	471835	5616B	JN-MN	417554	5650	TIMKE	5650	5673120	GMC	7840S
56012	EARTH	470045	56178	TROS	205017	5651R	JN-MN	417273	5673121	GMC	7399S
56012	EARTH	476838	5617B	JN-MN	455480	5652	C-R	471281	5674114	GMC	340495
5601LA	JN-MN	415351	561892R91	IH	470954	5652	SKF	471281	5675600	GMC	340413
5602	TIMKE	5602	5619SS	JN-MN	473228	56520	TROS	471652	567816R91	IH	417492
5602	WMG	4561V	562653	ELRNG	713087	56520	TROS	482208	567824R91	IH	472185
56024871	BENDI	481073	562939	ELRNG	222820	565280	CHRYS	450365	567826R91	IH	450352
5602LA	JN-MN	473463	56205S	TROS	5589	565280	CHRYS	470898	567826R91	IH	472164
5603	TIMKE	5603	562075R91	IH	415498	5652R	JN-MN	415034	567829R91	IH	471192
56030	GARLK	417365	562077R91	IH	472041	5652R	JN-MN	455034	567878	CHRYS	470898
5603LA	JN-MN	415036	562077R91	IH	473454	56544C	DIA	415066	56793698	IG-RA	415085
5604	TIMKE	5604	56208F	REO	370003A	5659SH	JN-MN	340930	56793698	IG-RA	456648
560470R91	IH	415458	5620SS	JN-MN	343104	56601S	TROS	473231	5679R	JN-MN	417298
560470R91	IH	455003	5624	TIMKE	5624	5660LA	JN-MN	471267	56801S	TROS	351267
56049J	DIA	5751	562411	US-EL	450183	5660LUP	JN-MN	471267	56801S	TROS	471267
5605	C-R	718610	562411	US-EL	472179	5661151	GMC	472185	568020R91	IH	471571
5605	SKF	718610	562416	CLARK	416153	5661486	GMC	471763	56803A	WHITE	471689
56050	GARLK	415072	562491R91	IH	472144	566162R91	IH	415483	5681410	GMC	8059S
5605X	HYST	450066	5626LA	JN-MN	471862	566162R91	IH	455368	5682	TIMKE	5682
5605X	HYST	473367	5627LPD	JN-MN	470682	5661LA	JN-MN	471267	568284	AL-KO	370219A
5606	C-R	472705	562835	C-R	350572	5662	C-R	471281	5682846	GMC	351267
5606	C-R	472705V	562835	SKF	350572	5662	GILSN	200354	5682846	GMC	471267
5606	SKF	472705	5629	TIMKE	5629	5662	SKF	471281	568303	AL-KO	370352A
560680	GMC	3553	562932C1	IH	370007A	566201R91	IH	450069	5683898	GMC	8059S
560680850	GMC	3553	5629LPD	JN-MN	471744	566201R91	IH	473232	568403	CHRYS	473215

INTERCHANGE SECTION

COMPETITIVE INTERCHANGES



Mfr No.	Mfr. National	Mfr No.	Mfr. National	Mfr No.	Mfr. National	Mfr No.	Mfr. National
568404	CHRY5 473215	5706LA	JN-MN 455003	573022218	EL-MO J1127	5731LPD	JN-MN 470950
568452	CHRY5 450467	5707	C-R 471535	573022220	EL-MO J1125	5731LPD	JN-MN 6241S
5685	C-R 471281	5707	SKF 471535	573022301	EL-MO 471466	573259R91	IH 470169
5685	SKF 471281	570793	CHRY5 450121	573022302	EL-MO 471267	573259R91	IH 473214
5685	TIMKE 5685	570793	CHRY5 472409	573022303	EL-MO 471224	5732LA	JN-MN 473226
56851	GMC 450043	57080	C-R 710369	573022304	EL-MO 471413	5732LUP	JN-MN 473226
56851	GMC 473419	57080	SKF 710369	573022305	EL-MO 480630	5733	WVG 410312N
5685524	GMC 7013S	57085D	IH 417316	573022305	EL-MO 480991	5733LA	JN-MN 470059
5686	TIMKE 5686	570D6	WHITE 6270	573022306	EL-MO 472439	5733LA	JN-MN 470380
56860	TROS 1049	57120	TROS 44052	573022307	EL-MO 471272	57340	TROS 470487N
56861	GMC 470045	57121	TROS 6954S	573022308	EL-MO 416011	5734LA	JN-MN 473440
56861	GMC 476838	57122	TROS 44053	573022308	EL-MO 417621	5734LUP	JN-MN 473440
5686644	GMC 7013S	5712B	JN-MN 416273	573022309	EL-MO 472015	573515010	EL-MO 415483
568674	CHRY5 472394	5714B	JN-MN 417350	573022310	EL-MO 473231	573515011	EL-MO 473237
568688	CHRY5 410312N	5714B	JN-MN 455479	573022311	EL-MO 417349	573515014	EL-MO 417344
568690	GMC 470059	5715	FULLE 450183	573022312	EL-MO 470898	5735316	B-L-H 471737
568690	GMC 470380	5715	FULLE 472179	573022313	EL-MO 416404	5735LA	JN-MN 450154
568767R91	IH 240731	57160	TROS 7022S	573022314	EL-MO 473228	5735LA	JN-MN 473234
568769R91	IH 473438	57160S	TROS 7022S	573022315	EL-MO 471424	5736LA	JN-MN 450183
568770R91	IH 415458	57196	US-EL 416339	573022316	EL-MO 472179	5736LA	JN-MN 472179
568770R91	IH 455003	57196	US-EL 455031	573022321	EL-MO 471950	5737LA	JN-MN 472394
5688020	GMC 8773S	5719OSR	JN-MN 471567	573022322	EL-MO 471652	5737LUP	JN-MN 472394
5689B	JN-MN 457874	572	C-R 5M289	573022327	EL-MO 473233	5738LA	JN-MN 450094
56903	JOY 415138	572	SKF 5M289	573022333	EL-MO 472258	5738LA	JN-MN 473462
5690LPD	JN-MN 473445	57202	TROS 415064	573022334	EL-MO 470380	5739LA	JN-MN 450301
5691484	GMC 472164	57203	TROS 417480	573022335	EL-MO 416047	5739LA	JN-MN 472397
569186	US-EL 472185	57203	TROS 455860	573022335	EL-MO 416332	5740017	AMGEN 3173
5692683	GMC 471264	572050401	EL-MO 412040	573022336	EL-MO 473204	5740017	AMGEN 710928
5693	TIMKE 5693	5720LA	JN-MN 471570	573022337	EL-MO 412040	57403D	IH 472015
5694	TIMKE 5694	5720LPD	JN-MN 471570	573022338	EL-MO 471341	5740LA	JN-MN 450301
5695	TIMKE 5695	572106	Y-T 411253	573022355	EL-MO 474278	5740LA	JN-MN 472397
5696	TIMKE 5696	572106	Y-T 450099	573022355	EL-MO 480356	5741SH	JN-MN 412920
5696537	GMC 7399S	5722	SKIL 340469	573022357	EL-MO 471570	5741SH	JN-MN 450132
569682	US-EL 472164	5722LA	JN-MN 471760	573022358	EL-MO 471692	57420	TROS 6930
569684	US-EL 472185	5723	TIMKE 5723	573022359	EL-MO 472164	57421	TROS 7044NA
569686	US-EL 415988	5723LA	JN-MN 450342	573022360	EL-MO 472397	5742152	AMGEN 3945
5696LUP	JN-MN 470077	5723LUP	JN-MN 450342	573022361	EL-MO 470712	574238R91	IH 240731
5696LUP	JN-MN 474281	57240	TROS 410825	573022362	EL-MO 473445	574239R91	IH 350414
5697	TIMKE 5697	5724LA	JN-MN 471762	573022374	EL-MO 470590	574239R91	IH 472311
5698	TIMKE 5698	5724LPD	JN-MN 471762	573022378	EL-MO 471835	5743226	AMGEN 710258
5699	TIMKE 5699	572571	CHRY5 473438	573022379	EL-MO 471255	5743285	AMGEN 3945
569D6	DIA 5408	5725LA	JN-MN 471763	573022380	EL-MO 416288	5743361	AMGEN 714598
569D6	WHITE 5408	57269	US-EL 340787	573022383	EL-MO 416041	574362	CHRY5 455336
56H7688	FORD 340797	5726LA	JN-MN 471354	573022385	EL-MO 470605	5743751	AMGEN 4333N
57	MYERS 473420	5727	TIMKE 5727	573022386	EL-MO 416345	574384	CHRY5 455336
57	UNIVE 472951	5727LA	JN-MN 470163	573022387	EL-MO 471554	5743892	AMGEN 5512
57	UNIVE 474252	5727LA	JN-MN 471766	573022388	EL-MO 416380	574389R91	IH 240736
5700	TIMKE 5700	5728LA	JN-MN 471787	573022389	EL-MO 416345	5743936	AMGEN 710891
5700208	GMC 343186	5728LUP	JN-MN 471787	573022390	EL-MO 416664	5743LA	JN-MN 413478
5700222	GMC 471535	572915	ADAMS 470120	573022391	EL-MO 470380	57440	TROS 5126
5700223	GMC 471646	572915	ADAMS 471224	573022392	EL-MO 471424	5744LA	JN-MN 455079
5700224	GMC 470163	5729496	GMC 415012N	573022393	EL-MO 471646	5744LUP	JN-MN 455079
5700224	GMC 471766	5729LA	JN-MN 471801	573022394	EL-MO 450593	574562	CHRY5 455249
5700225	GMC 41787S	5729LUP	JN-MN 471801	573022395	EL-MO 471571	574563	CHRY5 455249
5700227	GMC 474278	572A4	WHITE 412119	573022397	EL-MO 471692	5745875	AMGEN 710892
5700227	GMC 480356	572A4	WHITE 450101	573022398	EL-MO 252277	5745876	AMGEN 710601
5700SS	JN-MN 350414	573	C-R 5M293	5730LA	JN-MN 470169	5745995	AMGEN 710585
5700SS	JN-MN 472311	573	SKF 5M293	5730LA	JN-MN 473214	5745LA	JN-MN 417343
5704	NATL 450666	573022207	EL-MO J1111	5731LA	JN-MN 470950	5745LUP	JN-MN 417343
5706LA	JN-MN 415458	573022209	EL-MO J1109	5731LA	JN-MN 6241S	5746LA	JN-MN 455151

INTERCHANGE SECTION

COMPETITIVE INTERCHANGES

Mfr No.	Mfr.	National	Mfr No.	Mfr.	National	Mfr No.	Mfr.	National	Mfr No.	Mfr.	National
5747LA	JN-MN	415960	57688R91	IH	456618	57GC186A	MACK	5645	585050	CHRY	470548
5747LA	JN-MN	455009	576W4M1	C-R	370036A	57GC186B	MACK	5645	585050	CHRY	470625
5748LA	JN-MN	455018	576W4M1	C-R	370349A	57GC187A	MACK	5039	5850D2011	Y-T	470605
5748LA	JN-MN	476470	576W4M1	C-R	380036A	580988	ELRNG	710329	5850SS	JN-MN	472705
5749LA	JN-MN	416158	576W4M1	SKF	370036A	5801	NATL	414045	58519	REX	416888
57502R	TROS	451147H	576W4M1	SKF	370349A	5801	WMG	414045	5853K300047	Y-T	415449
57505	C-R	415447	576W4M1	SKF	380036A	5803	C-R	221510	5853K300047	Y-T	455147
57505	SKF	415447	576W4T8	C-R	370036A	5803	SKF	221510	5853K304268	Y-T	415379
57509	C-R	417362	576W4T8	C-R	370349A	5804	C-R	221510	5853K304268	Y-T	455379
57509	SKF	417362	576W4T8	C-R	380036A	5804	SKF	221510	5853LA	JN-MN	451583
5750LA	JN-MN	450117	576W4T8	SKF	370036A	5804SS	JN-MN	472258	58550	ALLCH	450183
5750LA	JN-MN	472572	576W4T8	SKF	370349A	58065D	IH	472179	58550	ALLCH	472179
57510	C-R	417362	576W4T8	SKF	380036A	5808	C-R	221510	5855LA	JN-MN	471684
57510	SKF	417362	5770	NATL	225010	5808	NATL	221510	5855LA	JN-MN	471698
57519	C-R	417363	5770LUP	JN-MN	416654	5808	SKF	221510	58561S	TROS	471344
57519	SKF	417363	5770OSR	JN-MN	416654	580920	BR-WN	J1138	5857	TIMKE	5857
5751S	TIMKE	5751	5770OSR	JN-MN	455012	580980C1	IH	482041N	5857LA	JN-MN	471571
5752	HYST	416339	5771LA	JN-MN	415001	580981C1	IH	473010N	585K15	Y-T	352541
5752	HYST	455031	5771LA	JN-MN	455001	581879	ELRNG	710232	585K19	Y-T	470064
57520S	TROS	471652	5772LA	JN-MN	450076	58116	MASTE	340413	585K19	Y-T	471821
57520S	TROS	482208	5772LA	JN-MN	470334	581333R91	IH	470163	585K21	Y-T	455685
57521	C-R	416666	5772LUP	JN-MN	470334	581333R91	IH	471766	585K22	Y-T	415196
57521	SKF	416666	57732	MC-CL	481443	58142	CARDX	410694	585K23	Y-T	472394
5752B	HYST	416339	577321	MC-CL	481443	581646	IH	470045	585K24	Y-T	450301
5752B	HYST	455031	5773LA	JN-MN	414045	581646	IH	476838	585K24	Y-T	472397
57531	C-R	416666	57764	GRAY	40652S	581646R91	IH	470045	585K25	Y-T	410737
57531	SKF	416666	57773	US-EL	415035	581646R91	IH	476838	585K25	Y-T	450737
5754	GOODM	415041	57773	US-EL	455035	5821	C-R	221540	585K26	Y-T	450316
57540S	TROS	474278	5778	TIMKE	5778	5821	SKF	221540	585K26	Y-T	472636
575416	CABOT	416892	5778V	TIMKE	5778V	5821SS	JN-MN	470625	585K28	Y-T	416556
57541R	TROS	331227H	5779	HYST	473438	5823	HYST	J1129	585K28	Y-T	472157
575420	MINMA	415371	578010	CHRY	455151	582413R91	IH	472185	585K32	Y-T	417344
575423C91	IH	711552	578011	CHRY	455151	582587C91	IH	370192A	585K32	Y-T	455006
575424	GOODM	415138	5780SS	JN-MN	471570	582587C91	NAVST	370192A	585K34	Y-T	470064
575424	GR-DV	415138	5781LA	JN-MN	450083	5826LA	JN-MN	472439	585K34	Y-T	471821
57542S	TROS	8160S	5781LA	JN-MN	472924	5826LPD	JN-MN	472439	585K36	Y-T	40576S
57549	HYST	471272	5782	CATER	450269	5827	TIMKE	5827	585K39	Y-T	470088
575583	CHRY	415041	5782	TMTR	450076	5827B	JN-MN	471689	585K415	Y-T	471424
575584	CHRY	415041	5782	TMTR	470334	5828R	JN-MN	472144	585K45	Y-T	450301
5756	C-R	471551	5782LA	JN-MN	471466	583050	ELRNG	320348	585K45	Y-T	472397
5756	SKF	471551	57840S	TROS	7188S	5830526	GMC	455024	585K46	Y-T	450519
5756	TIMKE	5756	57841	TROS	40494S	5830SS	JN-MN	471192	585K46	Y-T	471271
57578	C-R	417364	578576	ALLCH	205017	5831LA	JN-MN	481073	585K47	Y-T	415281N
57578	SKF	417364	57883	HYST	470409	5831LUP	JN-MN	481073	585K13	Y-T	471646
57581	C-R	416029	578913C1	IH	370057A	583329R91	IH	240736	585S35	Y-T	40568S
57581	SKF	416029	578913C1	NAVST	370057A	583388C91	IH	100263	585S36	Y-T	40576S
57584	C-R	416039	578982	MC-CL	481481	583388C91	IH	3905	585S37	Y-T	417267
57584	SKF	416039	5790	C-R	2027	5836	TIMKE	5836	585S413	Y-T	472394
5758B	JN-MN	416107	5790	SKF	2027	58394	EATON	370021A	586641	ELRNG	710403
5758B	JN-MN	455073	5792	NATL	473450	5841LA	JN-MN	470354	586668	ELRNG	710332
5760R	JN-MN	415991	579207	GMC	8139	58423D	IH	415196	586676	ELRNG	716484
5760R	JN-MN	455146	57936	HYST	40494S	584346R91	IH	415379	5861AB	JOHND	470062
576209	CHRY	415041	5793SH	JN-MN	40230S	5844	US-EL	413246	5861AB	JOHND	474264
5764	TMTR	450082	5793SS	JN-MN	471689	5844	US-EL	413246N	5862068170	ISUZU	224052
5764	TMTR	473238	579432	GMC	7607	58440	TROS	7216	58640S	TROS	3103
5764SS	JN-MN	471733	5796	TIMKE	5796	5844R	JN-MN	471424	58641	AM WH	450085
5765LA	JN-MN	474255	579651	ALLCH	473461	58461S	TROS	470331N	58641	AM WH	470530
57661S	TROS	471195	579908	ALLCH	204017	584913R91	IH	450361	58645C91	IH	471737
57661S	TROS	481195	57F	CLARK	240319	584913R91	IH	472193	5865	TIMKE	5865
576755TA	TRSCM	417362	57G	CLARK	417267	5851151	SPICE	4561V	58660S	TROS	321460

INTERCHANGE SECTION

COMPETITIVE INTERCHANGES



Mfr No.	Mfr.	National	Mfr No.	Mfr.	National	Mfr No.	Mfr.	National	Mfr No.	Mfr.	National
5867R	JN-MN	450070	58T089	SHOV	415498	5925SS	JN-MN	481568	5950	FULLE	417488
5867R	JN-MN	472185	58X1868R3	MACK	442874	5926	C-R	471532	5950	SKF	473405
58685D	IH	410059	590797	ELRNG	228008	5926	SKF	471532	5950B	JN-MN	480630
58685D	IH	470380	59015A	HERCU	473240	5926LA	JN-MN	417254	595169R91	IH	471272
58698	AM WH	450474	5903	EATON	415995	5926LUP	JN-MN	417254	595206R91	IH	470380
587044	ELRNG	223542	5903	EATON	455013	59277764	VOLVO	415867	59520S	TROS	331107N
58702	TROS	5072	5903	FULLE	415995	592860	GMC	414045	59524	MASTE	450593
58715TA	TRSCM	416476	5903	FULLE	455013	59292195	BUC-E	415196	59540S	TROS	330663
58715TA	TRSCM	417364	59035	ALLCH	417487	5931LUP	JN-MN	416071	59540S	TROS	472354
58716	C-R	416476	59035	ALLCH	455014	593256	CHRY5	450095	595638	GMC	470606
58716	SKF	416476	59036	ALLCH	410520	593256	CHRY5	473464	5956LA	JN-MN	455310
5872S	TIMKE	5872S	59036	ALLCH	471272	593258	CHRY5	410737	5957B	JN-MN	416891
58741	C-R	416476	5904	C-R	710714	593258	CHRY5	450737	59586R91	IH	473463
58741	SKF	416476	5904	SKF	710714	593260	CHRY5	415458	59587	VIC	5827
587542	CHRY5	55337	5905LA	JN-MN	455195	593260	CHRY5	455003	59587R91	IH	473463
58760	C-R	455297	5905LA	JN-MN	472157	593596	CHRY5	410308	5959R	JN-MN	417316
58760	SKF	455297	5906LA	JN-MN	418028	593596	CHRY5	450308	5959R	JN-MN	455004
5877	TIMKE	5877	5906LA	JN-MN	455137	59380	C-R	8907	596	C-R	5M403
587760	CHRY5	412473	5907LPD	JN-MN	416865	59380	SKF	8907	596	SKF	5M403
587760	CHRY5	415894	5907LPD	JN-MN	455070	5938609	AMGEN	3946	596D211	REO	370007A
587778	GMC	472082	591777	ELRNG	222743	5938681	AMGEN	4370N	596D213	REO	370007A
5877LA	JN-MN	417780	5910LA	JN-MN	415034	5938LA	JN-MN	415116	596D214	REO	370007A
5877YK	JOHND	204035	5910LA	JN-MN	455034	593916R91	IH	417492	596D215	REO	370007A
587809R91	IH	450352	5910LPD	JN-MN	415034	59395	HYST	415001	596D22	REO	370001A
587809R91	IH	472164	59120S	TROS	9150S	5939LA	JN-MN	417604	596D239	REO	370057A
58787	C-R	3016	59121	HYST	416404	594	MERIX	470358	596D24	REO	370001A
58787	SKF	3016	5912756	GMC	471647	594	MERIX	473231	596D240	REO	370057A
58801S	TROS	7013S	591331	CLARK	410085	594	ROCKW	470358	596D245	REO	370057A
5880LA	JN-MN	450039	591331	CLARK	470530	594	ROCKW	473231	596D250	REO	370001A
5880LPD	JN-MN	450039	591331	GMC	410085	59401D	IH	473010	596D26	REO	370001A
58821	MASTE	471765	591331	GMC	470530	5943B	JN-MN	450040	596D238	REO	370007A
5883SS	JN-MN	471526	59134	GRAY	410312N	594447R91	CASE	321516	5961	NATL	370036A
58843	MASTE	471571	59140	TROS	411348	594447R91	CASE	471516	59614	ALLCH	416339
58846	KELSE	442251	591448	GMC	450441	5944631	SPICE	417191	59614	ALLCH	455031
588737R91	IH	450361	591448	GMC	471341	5944631	SPICE	455165	596144C1	IH	713750
588737R91	IH	472193	5915	NATL	473228	5944632	SPICE	417191	59615	ALLCH	415072
588964	CHRY5	410312N	5915	NATL	51098	5944632	SPICE	455165	5961LA	JN-MN	415281N
588978C91	IH	475322N	59160S	TROS	203008	5946	C-R	471532	5961LUP	JN-MN	417349
589208	CHRY5	472394	591771C91	IH	475368N	5946	SKF	471532	596309C91	IH	9773
5892LPD	JN-MN	410102	591830C91	IH	470567	594639	Y-T	55353	596310C91	IH	475012N
589305	CHRY5	473457	591830C91	IH	471267	594672	EATON	415991	596311C91	IH	415164N
5893B	JN-MN	471868	591831C91	IH	350679	594672	EATON	455146	596312C91	IH	475003N
5894	FULLE	415995	591831C91	IH	470954	5947	FULLE	415991	596313C91	IH	712937
5894	FULLE	455013	591832C91	IH	350567	5947	FULLE	455146	596351	CHRY5	450352
589D1	WHITE	450083	591832C91	IH	471267	594702R91	CASE	5027	596351	CHRY5	472164
589D1	WHITE	472924	591833C91	IH	470380	594703R1	CASE	5027	596372C1	IH	455322V
58N1617	WGEAR	472299	591834C91	IH	482163N	594962C1	IH	370003A	5963SH	JN-MN	417267
58R035	SHOV	415058	591835C91	IH	470088	594962C1	NAVST	380003A	596430C91	IH	330749V
58R037	SHOV	55353	591836C91	IH	417484N	594963C1	IH	370023A	596430C92	IH	39920
58R040	SHOV	417316	591836C91	IH	455322N	594963C1	NAVST	380023A	5965	TIMKE	5965
58R040	SHOV	455004	591843C1	IH	240816	594964C1	IH	370048A	596555C1	IH	370001A
58T002	SHOV	470059	591844C91	IH	471413	594964C1	NAVST	370182A	596555C1	NAVST	380001A
58T002	SHOV	470380	591845C91	IH	473231	594964C1	NAVST	380048A	596556C1	IH	370121A
58T063	SHOV	470059	591846C91	IH	710029	594965C1	IH	370450A	5965R	JN-MN	472144
58T063	SHOV	470380	591896R91	IH	472185	594966C1	IH	370124A	5966	C-R	471558
58T067	SHOV	417269	5919	NATL	200354	594967C1	IH	370131A	5966	SKF	471558
58T082	SHOV	470059	5919S	WGM	204002	594967C1	NAVST	380131A	59660	TROS	7581H
58T082	SHOV	470380	5920B	JN-MN	480630	5949B	JN-MN	450083	596600C91	NAVST	100263
58T083	SHOV	411376	5924	TIMKE	5924	5949B	JN-MN	472924	596602C91	IH	473274N
58T083	SHOV	455093	592441	GMC	414045	5950	C-R	473405	596602C91	NAVST	4561V

INTERCHANGE SECTION

COMPETITIVE INTERCHANGES

Mfr No.	Mfr.	National	Mfr No.	Mfr.	National	Mfr No.	Mfr.	National	Mfr No.	Mfr.	National
59660S	TROS	7581H	59N1617	WGEAR	415991	5D6767	CATER	417247	5H6012	WESTR	471766
596623	ACF	413246	59N1617	WGEAR	455146	5DAP7B498AA	FORD	7929S	5H6136	CATER	7840S
596623	ACF	413246N	5A174A	FAIRB	450067	5F0549	CATER	411394	5H7628	CATER	470027
596D6	WHITE	5408	5A174A	FAIRB	473228	5F0549	CATER	450317	5H7628	CATER	471554
597023	ELRNG	224252	5A374A	FAIRB	450301	5F110	BORGW	410308	5H9753	CATER	450076
5970	NATL	203034	5A374A	FAIRB	472397	5F110	BORGW	450308	5H9753	CATER	470334
59701	TROS	5092	5A43	WHITE	471231	5F1220	CATER	416476	5HZE6700AA	FORD	3774
59702	TROS	5072	5A474A	FAIRB	411376	5F1220	CATER	455075	5J3868	CATER	415437
597138	ACF	416865	5A474A	FAIRB	455093	5F2422	CATER	470163	5J3937	CATER	40433S
597147C1	IH	477163N	5A530	CATER	415023	5F2422	CATER	471766	5J3942	CATER	447060
597324C1	IH	416364	5A574A	FAIRB	417316	5F2463	CATER	455117	5J3944	CATER	417596
5973LA	JN-MN	415072	5A574A	FAIRB	455004	5F3178	CATER	415025	5J8225	CATER	710041
597546R91	IH	7186S	5A809	CATER	471570	5F4258	CATER	470163	5J964	CATER	710034
59760S	TROS	335924N	5A810	CATER	471281	5F4258	CATER	471766	5J9969	CATER	415281N
597621C1	IH	450519	5A874A	FAIRB	470163	5F4258	WESTR	40652S	5K0658	CATER	417316
597621C1	IH	471271	5A874A	FAIRB	471766	5F4624	CATER	410312N	5K0983	CATER	417210
5976S	TIMKE	5976S	5AL1041	OLIVE	204035	5F5422	CATER	470163	5K2595	CATER	415995
597702R91	CASE	5027	5AL1041	WHITE	204035	5F5422	CATER	471766	5K2595	CATER	455013
5978LA	JN-MN	415196	5AL1511	OLIVE	6590S	5F549	CATER	411394	5K658	CATER	417316
597OF60	FRUEH	203034	5AL1514	OLIVE	470059	5F549	CATER	450317	5K658	CATER	455004
598	HYST	470059	5AL1514	OLIVE	470380	5F5797	CATER	450183	5K983	CATER	417210
598	HYST	470380	5AL4950	OLIVE	340815	5F5797	CATER	472179	5L144C046AA	FORD	100537
598993	ELRNG	223005	5B0653	CATER	416666	5F5798	CATER	450307	5L1Z4A109A	FORD	100537
5980LA	JN-MN	415128	5B0760	CATER	471747	5F7730	CATER	417546	5L243N296AA	FORD	714675
5983LA	JN-MN	472287	5B0760	CATER	472674	5F7731	CATER	415072	5L243N296AB	FORD	714675
5984	EATON	417181	5B1224	CATER	450069	5F9Z7F401AA	FORD	710801	5L244B416BA	FORD	100537
5984	FULLE	417181	5B1224	CATER	473232	5G110	BORGW	473463	5L2W4B416AA	FORD	100537
598462	CHRYSS	455336	5B1395	CATER	415196	5G137J216AA	FORD	710738	5L2Z4B416BA	FORD	100537
5984LA	JN-MN	471579	5B2169	CATER	471785	5G137N853AA	FORD	710699	5L2Z4L616AA	FORD	714675
5984LPD	JN-MN	471579	5B2963	CATER	450316	5G13J216BA	FORD	710737	5L2Z4L616AB	FORD	714675
5986LA	JN-MN	471689	5B2963	CATER	472636	5G1Z1177A	FORD	710738	5L3W1177AB	FORD	100357
598794	CHRYSS	411253	5B505	CATER	455566	5G1Z1177AA	FORD	710738	5L3W1177AA	FORD	100357
598794	CHRYSS	450099	5B5591	STERL	415458	5G1Z1177B	FORD	710737	5L3W1S177AB	FORD	100357
5987LA	JN-MN	472843	5B5591	STERL	455003	5G1Z1177BA	FORD	710737	5L3Z1S177AA	FORD	100357
59881C1	IH	417366	5B6129	CATER	471785	5G1Z7F401AA	FORD	710699	5L3Z1S177AB	FORD	100357
5988LA	JN-MN	450090	5B6365	CATER	450173	5H0033	CATER	415001N	5L4757	CATER	415146
599	MERIX	450025	5B653	CATER	416666	5H110	BORGW	8160S	5L4757	CATER	415991
599	MERIX	471553	5B7017	CATER	410694	5H1190	CATER	471466	5L4776	CATER	450519
599	ROCKW	450025	5B734	CATER	450352	5H2184	CATER	472705	5L4776	CATER	471271
599	ROCKW	471553	5B734	CATER	472164	5H2E6700AA	FORD	3774	5L747052AA	FORD	710487
599086	CHRYSS	470403	5B9332	CATER	450316	5H2E6701CA	FORD	3393	5L747052BA	FORD	710486
599086	CHRYSS	470774	5B9332	CATER	472636	5H2E6701CB	FORD	3393	5L747A248AA	FORD	710484
5991LA	JN-MN	417532	5C341175AA	FORD	710701	5H2Z6700AA	FORD	3774	5L747B498AA	FORD	710780
5991LUP	JN-MN	417532	5C341175BA	FORD	710701	5H3789	CATER	450352	5L747F273AA	FORD	710487
5992SH	JN-MN	350954	5C341175GA	FORD	710454	5H3789	CATER	472164	5L7Z7052AA	FORD	710487
5992SH	JN-MN	470954	5C341S175GA	FORD	710454	5H3792	CATER	411376	5L7Z7052BA	FORD	710486
5992SS	JN-MN	470954	5C343254AA	FORD	710685	5H3792	CATER	455093	5L7Z7A248AA	FORD	710484
5993SS	JN-MN	450400	5C344676AA	FORD	710577	5H4742	CATER	470380	5L7Z7B498AA	FORD	710780
599463	CHRYSS	471829	5C3Z1S175A	FORD	710701	5H4856	CATER	240736	5L7Z7F273AA	FORD	710487
59959D	IH	416556	5C3Z1S175AA	FORD	710701	5H4894	CATER	456865N	5L834B416AA	FORD	710429
59959D	IH	472157	5C3Z1S175GA	FORD	710454	5H5021	CATER	471689	5L847048AA	FORD	710119
5995SH	JN-MN	471532	5C3Z3254A	FORD	710685	5H5241	CATER	471554	5L8925	CATER	410163
5997027	AMC	481837	5C3Z3254AA	FORD	710685	5H572	CATER	472397	5L8925	CATER	471766
5997027	AMGEN	481837	5C3Z3254B	FORD	710685	5H5879	CATER	416011	5L8Z4B416AA	FORD	710429
599957	GE	471255	5C3Z4676AA	FORD	710577	5H5879	CATER	417621	5L8Z7048AA	FORD	710119
59997	C-R	39807	5CM2023	OLIVE	200354	5H6012	CATER	470163	5LT1520	MINNM	55563
59997	SKF	39807	5D0505	CATER	455566	5H6012	CATER	471766	5LT1520	OLIVE	55563
59999	C-R	2297V	5D2796	CATER	470328	5H6012	TMTR	470163	5LT1534	OLIVE	470169
59999	SKF	2297V	5D2796	CATER	481213	5H6012	TMTR	471766	5LT1534	OLIVE	473214
599D6	WHITE	6635S	5D505	CATER	455566	5H6012	WESTR	470163	5LT1547	OLIVE	471870

INTERCHANGE SECTION

COMPETITIVE INTERCHANGES



Mfr No.	Mfr.	National	Mfr No.	Mfr.	National	Mfr No.	Mfr.	National	Mfr No.	Mfr.	National
5LT1547	OLIVE	471883	5P796	CATER	330699	60004	C-R	417365	600510	ACF	450185
5M0278	CATER	415086N	5P8216	CATER	7188S	60004	SKF	417365	600510	ACF	473229
5M0278	CATER	417487	5P854	ADAMS	450076	60006	C-R	415683	600511	ACF	471785
5M278	CATER	415086N	5P854	ADAMS	470334	60006	SKF	415683	600512	ACF	472826
5M278	CATER	417487	5P9294	CATER	471442	600067281	LUF	473463	600513	ACF	450291
5M9734	CATER	470219	5P9440	CATER	470895	600069	ACF	470120	600513	ACF	471141
5M9734	CATER	471649	5R2218	CATER	240698	600069	ACF	471224	6005189	CLARK	415645
5M9735	CATER	471787	5R3W1177AC	FORD	8835S	60010	VIC	471103	6005189	CLARK	455104
5M9736	CATER	472287	5R3W1177AB	FORD	8835S	60010	VIC	50197S	6005191	CLARK	416888
5M9737	CATER	450185	5R3Z1S177AA	FORD	8835S	60013	VIC	471579	6005191	CLARK	455200
5M9737	CATER	473229	5S2106	CATER	472653	6001465	CLARK	415725	6005197	CLARK	416229
5M9738	CATER	450352	5S432B294AA	FORD	100944	60015LDS	JN-MN	417556	60052	VIC	471526
5M9738	CATER	472164	5S432B384AA	FORD	100944	60016	C-R	415072	6005418	CLARK	416239
5M9739	CATER	450094	5S432B384AA	FORD	8660S	60016	SKF	415072	6005432	CLARK	340413
5M9739	CATER	473462	5S4408	CATER	415007	6001904	CLARK	472924	6005435	CLARK	415072
5M9740	CATER	411253	5S4Z2B384AA	FORD	100944	600197	DENCO	410316	6005439	CLARK	340927
5M9740	CATER	450099	5S6296	CATER	3813	600197	DENCO	472636	6005507	CLARK	415551
5N4779	CATER	470605	5S6620	CATER	482230N	6001LA	JN-MN	470358	6005552	CLARK	340356
5NH20	GEM	471689	5S6622	CATER	482230N	6001LA	JN-MN	473231	6005616	CLARK	415036
5NH20	ROSS	471689	5S9022	CATER	2628	6002061	CLARK	415294	60057	VIC	471472
5P0547	CATER	471442V	5S9022	FPDSL	2628	6002061	CLARK	455294	6005838	CLARK	417020
5P0711	CATER	471526	5T1012	HU-WR	473016	6002077	CLARK	416865	6005839	CLARK	415001
5P0713	CATER	455479V	5T1013	HU-WR	455195	6002085	CLARK	455129	6005839	CLARK	455001
5P0796	CATER	330699	5T1013	HU-WR	472157	6002098	CLARK	417606	6005841	CLARK	455584
5P1072	CATER	493524	5T1014	HU-WR	472439	6002105	CLARK	416476	6005842	CLARK	417273
5P1412	LETN	471750	5T1015	HU-WR	417191	6002105	CLARK	455075	6005844	CLARK	416666
5P1415	ADAMS	471750	5T1220	HU-WR	416047	6002155	CLARK	455195	60060	VIC	471549
5P1415	WABCO	471750	5T1220	HU-WR	416332	6002155	CLARK	472157	600604	DENCO	470169
5P1435	ADAMS	450085	5T1225	HU-WR	415196	600231	CHRY	450291	600604	DENCO	473214
5P1435	ADAMS	470530	5T1228	HU-WR	415074	600231	CHRY	471141	6006286	CLARK	416077
5P1436	ADAMS	473215	5T62	BORGW	6879H	60024	DURA	473236	6006365	CLARK	340787
5P1436	WABCO	473215	5X328	STERL	5M466	6002436	CLARK	415124	60067	VIC	471530
5P1502	ADAMS	470045	5X7501	CATER	415116	6002437	CLARK	417567	600750	MICH	415072
5P1502	ADAMS	476838	5X9263	CATER	471760	60025LDS	JN-MN	473243	600750	UNIVE	415072
5P1502	LETN	470045	5Y158	FED	5408	60026LDS	JN-MN	473235	60076	VIC	472705
5P1502	LETN	476838	5Y203	FED	5401	6002724	CLARK	455462	60078	VIC	471281
5P1555	ADAMS	455008	5Y204	FED	5403	6002730	CLARK	470605	60079	VIC	471281
5P1713	CATER	482576N	6126179	FORD	3772	60028	C-R	415072	6007LA	JN-MN	471760
5P1788	ADAMS	450082	63007	SPICE	442380	60028	SKF	415072	6007LUP	JN-MN	471760
5P1788	ADAMS	473238	6PS221	C-P	450389	6002LA	JN-MN	415991	60080	VIC	471535
5P1788	LETN	450082	6PS221	C-P	472492	6002LA	JN-MN	455146	60082	VIC	471551
5P1788	LETN	473238	6SPC22	NOVO	450183	60030	VIC	6863S	60087	VIC	471532
5P3262	CATER	472572	6SPC22	NOVO	472179	6003117	CLARK	415196	60089	VIC	473405
5P3412	CATER	450161	600094	BORGW	470120	60033	VIC	474277	6008R	JN-MN	471737
5P3412	CATER	471764	600094	BORGW	471224	60041	VIC	470004	60091	VIC	471558
5P4251	CATER	456919V	6004617	B-L-H	415035	600418	C-R	417534	60096	VIC	471466
5P4258	CATER	415458V	6004617	B-L-H	455035	600418	SKF	417534	600988	CATER	455019
5P5299	CATER	417172	6042213	B-L-H	471231	600421	CHRY	470064	600A40010	TROS	417509
5P547	CATER	471442	60463101X	SPICE	39925	600421	CHRY	471821	600A44810	TROS	417247
5P6780	CATER	473416	600	UNIVE	415072	600428	MINMA	416167	60101	VIC	471255
5P6859	CATER	7188S	600501317A	VW	370047A	600428	MINMA	455091	60101S	TROS	370015A
5P6868	CATER	415196	60000	C-R	2297V	600430	CLARK	417539	60102S	TROS	7537S
5P7003	CATER	417603	60000	C-R	39807	600430	MINMA	417539	60103	TROS	5113
5P7032	CATER	3894V	60000	SKF	2297V	60044404	TROS	45637S	601032	SPERY	415991
5P713	CATER	417350	60000	SKF	39807	60044808	TROS	200642	601032	SPERY	415991N
5P713	CATER	455479	6000029	GWI	473228	60045609	TROS	416167	601033	CATER	417509
5P7608	CATER	415147	60001	VIC	350364	60045610	TROS	416167	601033	SPERY	455134
5P7608	CATER	415449	600016	WAYNE	473227	60046010	TROS	417539	601034	SPERY	417349
5P769	ADAMS	415001	600017	WAYNE	471224	60050013	TROS	415725	60104	TROS	8243
5P769	ADAMS	455001	60003LDS	JN-MN	417507	60051	VIC	471442	60104403	AUBUR	417698

INTERCHANGE SECTION

COMPETITIVE INTERCHANGES

Mfr No.	Mfr.	National	Mfr No.	Mfr.	National	Mfr No.	Mfr.	National	Mfr No.	Mfr.	National
60105	TROS	205044	60220	TROS	451182	60301S	TROS	370021A	603932C91	IH	417196
60106	TROS	8976S	60222	VIC	471571	60309	VIC	450159	603933C91	IH	416921
60106	VIC	481073	60224	VIC	471647	60310	BORGW	471267	603933C91	IH	455011
60107	TROS	370018A	60226	VIC	472951	603101	LAWN	350567	60394	VIC	450177
60109	VIC	471538	60226	VIC	474252	603101	LAWN	471267	60395	VIC	471795
601093	O-M	340495	60228	VIC	450039	603101	O-M	350567	60396	VIC	471795
60111	COC	450025	60233	VIC	451583	603101	O-M	471267	60398	VIC	471801
60111	COC	471553	60235	VIC	471648	60314	VIC	472560N	603VB7	MARI	415072
60111	VIC	450025	60237	VIC	471688	60314	VIC	50151S	604	UNIVE	417562
60111	VIC	471553	602376	ALLCH	473437	603158	GMC	6936S	6040100114	MERCE	710812
60113	VIC	471579	60239	VIC	450040	60318	COC	470045	60402S	TROS	471193N
60117	CATER	471529	60242	VIC	350414	60318	COC	476838	60403	VIC	470050
60120	TROS	7994S	60242	VIC	472311	60318	VIC	470045	60405	VIC	473424
60128	VIC	480821	60245	VIC	471224	60318	VIC	476838	604058	JEFF	470059
60132	ALLCH	415146	602463	ACF	471103	60319	VIC	350974	604058	JEFF	470380
60132	ALLCH	415991	602463	ACF	50197S	60320	VIC	470712	604066	WHELA	450194
60135	VIC	470027	60247	VIC	470219	60322	VIC	471747	604066	WHELA	473010
60135	VIC	471554	60247	VIC	471649	60322	VIC	472674	6040LUP	JN-MN	417493
601356F	OLIVE	470403	60250	VIC	471689	603226	ACF	350414	6041LA	JN-MN	416654
601356F	OLIVE	470774	60252	VIC	450593	603226	ACF	472311	6041LA	JN-MN	455012
60137	VIC	471567	60254	VIC	471733	603235	LAWN	340771	60420	TROS	7457N
60139	VIC	471498	60254D	IH	411394	603235	O-M	340771	60421	GMC	481644
6013SS	JN-MN	473473	60254D	IH	450317	60324	VIC	471763	60421	VIC	472826
60140	TROS	41257	60256	VIC	471744	60325	VIC	472644	60423	VIC	473421
60142	VIC	471684	60258	GWJ	471760	60326	VIC	471785	60425	VIC	473211
60142	VIC	471698	60258	VIC	471760	603289	LAWN	340495	60427	VIC	473212
60149	VIC	481443	60260	VIC	471760	603289	O-M	340495	60429	VIC	40769S
60151	VIC	481568	602632	LAWN	340483	60329	VIC	450044	6042SS	JN-MN	415303
60153	VIC	481644	602632	O-M	340483	603290	LAWN	340815	60431	VIC	473213
60157	VIC	474273	60267	VIC	481650	603290	O-M	340815	60432	BORGW	450185
60162	VIC	471231	60282	VIC	480210	60331	VIC	473428	60432	BORGW	473229
60166	VIC	450030	60284	VIC	471651	60333	VIC	450161	6043300025	MERCE	710467
60166	VIC	474253	60285	VIC	470606	60333	VIC	471764	60434	OLIVE	470059
60168	VIC	471645	60286	VIC	471705	60335	VIC	473427	60434	OLIVE	470380
601684	DENCO	416664	602862	DENCO	471570	60340	VIC	483054N	60435	BORGW	472439
601684	DENCO	455364	60288	VIC	450043	6034305	FORD	3393	60436	VIC	473435
601686	DENCO	416664	60288	VIC	473419	60346	VIC	472475	604372	ALLCH	470163
601686	DENCO	455364	6028LA	JN-MN	471231	603462	ALLCH	473016	604372	ALLCH	471766
60170	VIC	471686	60290	VIC	471735	60347	VIC	473426	60438	VIC	473436
60172	VIC	473412	60294	VIC	450342	60349	VIC	471765	60438D	IH	473245
601748	DENCO	417247	60295	VIC	471762	60353	VIC	471354	6043LA	JN-MN	415303
601758	CLARK	472179	60296	VIC	471762	60357	VIC	473205	60440	TROS	8516N
60177	VIC	473413	602960	LAWN	240733	60358	BORGW	472287	604404	AUBUR	417278
60179	VIC	473414	602960	O-M	240733	60359	VIC	470347	604409	AUBUR	415196
6017SS	JN-MN	40494S	603	DEXTR	J1122	60359	VIC	474254	604415	AUBUR	415937
6018	HYST	417492	603000	ALLCH	455008	60373	VIC	450173	604418	AUBUR	473464
60183	VIC	473415	603001	ALLCH	470027	60382	OLIVE	450083	60442	VIC	450054
601872	ALLCH	471733	603001	ALLCH	471554	60382	OLIVE	472924	604420	VICK	203012
60192	VIC	471267	603002	ALLCH	470045	60382	VIC	474278	604425	AUBUR	415995
601927	DENCO	473237	603002	ALLCH	476838	60382	VIC	480356	604427	AUBUR	415351
60193	VIC	471267	603003	ALLCH	471750	60386	VIC	471750	604436	AUBUR	417495
60196	VIC	471570	603006	ALLCH	470120	60388	AM HO	470163	604439	ALLCH	473228
60199	VIC	471633	603006	ALLCH	471224	60388	AM HO	471766	604468	CUSH	471267
602	UNIVE	457874	603007	ALLCH	471795	60388	CARVR	470163	604468	O-M	471267
60200	VIC	471646	6030076	ALLCH	471795	60388	CARVR	471766	604471	CUSH	471466
60201S	TROS	5573	603008	ALLCH	471763	60388	VIC	470163	604471	LAWN	471466
60202	VIC	470590	603009	ALLCH	471570	60388	VIC	471766	604471	O-M	471466
60203	TROS	2055	60301	VIC	450044	60390	VIC	471787	604479	ALLCH	417351
60204	VIC	471137	603010	ALLCH	470219	603914	ACF	40140S	60449	VIC	5872S
60217	VIC	450038	603010	ALLCH	471649	60392	VIC	471787	6044B	JN-MN	471529

INTERCHANGE SECTION

COMPETITIVE INTERCHANGES



Mfr No.	Mfr. National	Mfr No.	Mfr. National	Mfr No.	Mfr. National	Mfr No.	Mfr. National
60450	VIC 470774	604973	ALLCH 455200	60549	VIC 450065	60617	VIC 470086
60451	VIC 470403	604973	MERIX 416888	60551	VIC 482253	606185C91	IH 416107
60451	VIC 470774	604973	MERIX 455200	60553	VIC 451469	606185C91	IH 455073
60452	VIC 472287	604973	ROCKW 416888	60555	VIC 450274	60620	C-R 710083
60454	IH 471192	604973	ROCKW 455200	605582A	WHITE 455197N	60620	SKF 710083
60454	VIC 471192	60498	VIC 470548	60562	VIC 470358	60620	VIC 50327
60454D	IH 471192	60498	VIC 470625	60562	VIC 473231	60620S	TROS 7486S
604557	ALLCH 450067	604986	ALLCH 415458	60564	VIC 450066	60622	C-R 710052
604557	ALLCH 473228	604986	ALLCH 455003	60564	VIC 473367	60622	SKF 710052
60456	VIC 470169	6049C	DIA 370036A	60567607	ALFAR 716484	60622	VIC 450068
60456	VIC 473214	604A42410	TROS 370030A	60568	VIC 450194	606237C91	IH 410119
60458	VIC 473215	60501012	TRMBL 370025A	60568	VIC 473010	606237C91	IH 471442
60459	VIC 473215	60500	CLARK 470059	605686	GMC 471231	60624D	IH 418029
60462	VIC 470950	60500	CLARK 470380	6056LA	JN-MN 450194	60624D	IH 455499
60462	VIC 6241S	60500	VIC 470059	6056LA	JN-MN 473010	60625D	IH 455500
60463	VIC 450444	60500	VIC 470380	6056LUP	JN-MN 450194	606293R92	IH 411245
60463	VIC 471835	60501550	ALFAR 1174	6056LUP	JN-MN 473010	606293R92	IH 455096
604634	SPICE 415004	60501947	ALFAR 1174	60570	VIC 450069	60632	VIC 50081
604634	SPICE 417316	60502526	ALFAR 223520	60570	VIC 473232	60635	VIC 450400
6046341	SPICE 415004	60502S	TROS 471341	60570617	ALFAR 710415	60638	VIC 450352
6046341	SPICE 417316	60504	VIC 471820	60572	VIC 481864	60638	VIC 472164
6046342	SPICE 415004	60506	VIC 450067	60574	AM HO 474274	6064	SEAMA 450316
6046342	SPICE 417316	60506	VIC 473228	60574	VIC 474274	6064	SEAMA 472636
6046343	SPICE 415004	60507107	ALFAR 223520	6057LA	JN-MN 450194	6064	TIMKE 6064
6046343	SPICE 417316	60507285	ALFAR 716484	6057LA	JN-MN 473010	60640	VIC 450352
604635	SPICE 415013	605093	ALLCH 450311	60580	VIC 450078	60640	VIC 472164
604635	SPICE 415995	60510	VIC 410190	60580	VIC 473444	60640S	TROS 3095
604636	SPICE 100495	60511	VIC 450461	60581	VIC 414268	60641	VIC 472185
604636	SPICE 415281N	60511	VIC 473440	60581	VIC 450539	60642	VIC 450361
6046361	SPICE 100495	60512	VIC 470077	605816	GMC 473215	60642	VIC 472193
6046361	SPICE 415281N	60512	VIC 474281	605823	GMC 450593	60643	VIC 450070
604637	SPICE 415013	605133	ALLCH 470682	60583	VIC 450335	60643	VIC 472185
604637	SPICE 415995	60515780	ALFAR 223520	605836	GMC 470120	60644	VIC 450076
604638	SPICE 415004V	60515781	ALFAR 223520	605836	GMC 471224	60644	VIC 470334
6046381	SPICE 415004	60517110	ALFAR 228480	60584	VIC 450467	60645	VIC 450076
6046381	SPICE 417316	6051B	JN-MN 450090	60585	VIC 450260	60645	VIC 470334
60464	VIC 450776	60520S	TROS 7399S	60589	VIC 450073	60646	VIC 450183
60465	VIC 472658	60521S	TROS 7495S	605898	ALLCH 471224	60646	VIC 472179
60465	VIC 473197	60522	TROS 480210	605898	MERIX 471224	606469R91	IH 200881
60476	VIC 473224	605249	ALLCH 450352	605898	ROCKW 471224	60648	VIC 473447
604762	UNIVE 457874	605249	ALLCH 472164	605D6	WHITE 5401	6064LA	JN-MN 417542
604763	MICH 457874	60524D	IH 411394	605VB7	MARI 417596	60655	VIC 450291
60478	AM HO 473016	60524D	IH 450317	606	UNIVE 417563	60655	VIC 471141
60478	VIC 473016	60530	VIC 472299	606D831	BENDI 415035	60656	VIC 450291
60480	VIC 473225	60531	VIC 472299	606D831	BENDI 455035	60656	VIC 471141
60484	AM HO 470062	60532	VIC 470064	60603	BL-KN 450154	606568C91	IH 416557
60484	AM HO 474264	60532	VIC 471821	60603	BL-KN 473234	606568C92	IH 416557
60484	VIC 470062	60534	VIC 8160S	60603	VIC 450154	60660	VIC 473313
60484	VIC 474264	60536	VIC 450185	60603	VIC 473234	60663	VIC 470088
60485	VIC 471862	60536	VIC 473229	606034C91	IH 417267	606660C91	IH 415013
60489	VIC 473438	60537	VIC 450143	60605	VIC 473235	606660C91	IH 415995
6048R	JN-MN 472150	60538	VIC 470682	60607	VIC 470074	606677C91	IH 470774
60492	GRAY 455018	60539	VIC 471316	60607	VIC 474265	60668	VIC 6936S
60492	GRAY 476470	6053B	JN-MN 450133	606072C91	IH 417267	60671	VIC 50266
60493	GRAY 416339	60540	VIC 471316	60608	VIC 450765	60673	VIC 450269
60493	GRAY 455031	60540S	TROS 474260	60609	AM HO 473236	60675	VIC 450285
60493	VIC 473439	60541	VIC 450803	60609	VIC 473236	606750C91	IH 412119
60494	VIC 474276	60541R	TROS 331228H	6061084	WHITE 471272	606751C91	IH 470163
60497	VIC 453065	60542	VIC 473441	606147	ALLCH 442380	606751C91	IH 471766
604973	ALLCH 416888	60543	VIC 473442	60615	VIC 473446	606752C91	IH 470163

INTERCHANGE SECTION

COMPETITIVE INTERCHANGES

Mfr No.	Mfr.	National	Mfr No.	Mfr.	National	Mfr No.	Mfr.	National	Mfr No.	Mfr.	National
606752C91	IH	471766	607498	GMC	410312N	60812	VIC	450307	60873	VIC	455136
606778C91	IH	417344	607538	GMC	417316	60814	VIC	450311	60875	VIC	411376
606778C92	IH	417344	607538	GMC	455004	60815	GRAY	450400	60875	VIC	455093
606778C93	IH	417344	60755VTA	TRSCM	415072	60816	VIC	416738	60877	VIC	415234
6068	SEAMA	473016	607569	GMC	450085	60816	VIC	450096	608775	MICH	417562
60683	VIC	450089	607569	GMC	470530	60817	VIC	416738	608775	UNIVE	417562
60688	VIC	472070	607589	GMC	415449	60817	VIC	450096	60879	VIC	55337
606892C91	IH	416288	607589	GMC	455147	60819	VIC	450313	60883	VIC	411394
60690	VIC	471866	607590	CLARK	415147	6081SS	JN-MN	410308	60883	VIC	450317
606908	ALLCH	471785	607590	CLARK	415449	6081SS	JN-MN	473468	608839	VICK	471224
606910	ALLCH	450070	60766	VIC	471869	60827	VIC	470898	60885	VIC	411394
606910	ALLCH	472185	60766	VIC	473459	60829	VIC	6879H	60885	VIC	450317
606911	ALLCH	470548	60767	VIC	472144	60833	VIC	450115	60887	VIC	410694
606911	ALLCH	470625	607670	GMC	415449	60833	VIC	473467	60889	VIC	416444
606912	ALLCH	417082	607670	GMC	455147	60834	VIC	472015	6088LA	JN-MN	471760
606914	ALLCH	412861	6076861	BENDI	471747	608343	GMC	471760	60893	VIC	413246
606917	ALLCH	415683	6076861	BENDI	472674	60835	GRAY	471466	60893	VIC	413246N
606919	ALLCH	450067	60771	VIC	472394	60835	VIC	472015	60894	VIC	412119
606919	ALLCH	473228	60773	VIC	473461	60837	VIC	410308	60894	VIC	450101
60692	VIC	450118	60775	VIC	471391	60837	VIC	450308	60895	VIC	410987
60692	VIC	473449	60777	VIC	450094	60839	VIC	410312N	60895	VIC	450686
606920	ALLCH	416339	60777	VIC	473462	6084	NATL	353141	60896	VIC	410987
606920	ALLCH	455031	60781	VIC	450446	60841	VIC	450121	60896	VIC	450103
60698	VIC	473450	60782	JAE	450389	60841	VIC	472409	60897	VIC	416271
6069SS	JN-MN	472705	60782	JAE	472492	60843	VIC	473243	60898	BU-SP	416271
606VB7	MARI	417562	60782	MASSE	450389	60845	VIC	413469	60898	VIC	416271
607	BUTBN	40337S	60782	MASSE	472492	60845610	TROS	417267	608VB7	MARI	416229
60700	VIC	450090	60782	VIC	450389	60845R91	IH	415147	60901	TROS	470954
60708	VIC	473451	60782	VIC	472492	60845R91	IH	415449	60902	AM HO	411500
60712	VIC	473452	60786	VIC	450083	6084LA	JN-MN	470120	60902	VIC	411500
607143R91	IH	472164	60786	VIC	472924	6084LA	JN-MN	471224	60903	AM HO	450104
607152R91	IH	473215	607861R91	IH	471341	6084LUP	JN-MN	470120	60903	VIC	450104
607154R91	IH	473426	607862R91	IH	476838	6084LUP	JN-MN	471224	60905	AM HO	411245
60718	VIC	473453	60787	BL-KN	450083	60853	VIC	473471	60905	AM HO	455096
6071LA	JN-MN	412119	60787	BL-KN	472924	60856	VIC	470354	60905	VIC	411245
6071LA	JN-MN	450101	60787	VIC	450083	60858	VIC	473245	60905	VIC	455096
60725	VIC	472439	60787	VIC	472924	608586	CLARK	450070	60907	VIC	417073
60727	VIC	471868	6078801	FORD	3774	608586	CLARK	472185	6090S	TIMKE	6090S
60728	VIC	471868	60790	VIC	450085	6085LA	JN-MN	415066	60911	VIC	450519
6072LA	JN-MN	455191	60790	VIC	470530	6085LPD	JN-MN	415066	60911	VIC	471271
6072LUP	JN-MN	455191	60791	GRAY	472951	6086	PETTI	415988	60913	VIC	410496
60730	VIC	450117	60791	GRAY	474252	60861	VIC	412943	60914	VIC	470605
60730	VIC	472572	60794	VIC	450301	60862	VIC	473471	60918	VIC	415449
60732	VIC	473179	60794	VIC	472397	60863	VIC	450441	60918	VIC	455147
60734	VIC	414045	60796	VIC	473463	60863	VIC	471341	6091LA	JN-MN	416107
60735	VIC	473238	60798	VIC	473242	60864	VIC	410520	6091LA	JN-MN	455073
60736	VIC	450082	607A	BUTBN	40337S	60864	VIC	471272	60920	VIC	415001
60736	VIC	473238	607VB7	MARI	455121	60866	VIC	473473	60920	VIC	455001
6073LA	JN-MN	417487	608	UNIVE	416229	60867	VIC	410737	60922	VIC	416273
6073LA	JN-MN	455014	60800	VIC	450095	60867	VIC	450737	60925	VIC	415302
6073LUP	JN-MN	417487	60800	VIC	473464	60868	VIC	450316	60926	VIC	455280
6073LUP	JN-MN	455014	60801	GRAY	473423	60868	VIC	472636	60927	VIC	415988
60740	VIC	450084	60801282	ALFAR	223035	60868N	VIC	472636	60928	VIC	411330N
60741	TROS	5095	60801S	TROS	8773S	6086LA	JN-MN	415090	609289	WHELA	415072
60742	VIC	450298	60802	VIC	410102	60870	VIC	411253	60929	VIC	415483
60742	VIC	473239	60807827	ALFAR	716484	60870	VIC	450099	60929	VIC	455368
60744	VIC	473457	60807827	FIAT	716484	60872	VIC	412920	6093	NATL	471442
60745	VIC	473240	60808	VIC	5877	60872	VIC	450132	60930	VIC	412871
60746	VIC	473458	60810	VIC	2822V	608722	GMC	470120	60930	VIC	450329
60749	VIC	410524	60810	VIC	472012	608722	GMC	471224	60931	AM WH	450066

INTERCHANGE SECTION

COMPETITIVE INTERCHANGES



Mfr No.	Mfr. National	Mfr No.	Mfr. National	Mfr No.	Mfr. National	Mfr No.	Mfr. National
60931	AM WH 473367	60G10	GR-DV 415025	60G16	GR-DV 417269	60G27	GR-DV 476470
60932	VIC 415458	60G100	GR-DV 415034	60G162	GR-DV 476470	60G28	GR-DV 416476
60932	VIC 455003	60G100	GR-DV 455034	60G164	GR-DV 411253	60G28	GR-DV 455075
60934	VIC 417343	60G103	GR-DV 415960	60G17	GR-DV 415645	60G29	GR-DV 415072
60935	GRAY 450457	60G103	GR-DV 455009	60G17	GR-DV 455104	60G3	GR-DV 415458
60936	VIC 415007	60G104	GR-DV 417487	60G171	GR-DV 415124	60G3	GR-DV 455003
6093SH	JN-MN 340009S	60G104	GR-DV 455014	60G177	GR-DV 455129	60G30	GR-DV 416888
6093SS	JN-MN 471466	60G105	GR-DV 417487	60G18	GR-DV 470059	60G30	GR-DV 455200
60943	VIC 455151	60G105	GR-DV 455014	60G18	GR-DV 470380	60G31	GR-DV 416271
60945	VIC 455008	60G106	GR-DV 418029	60G186	GR-DV 415116	60G32	GR-DV 455018
60949	VIC 416664	60G106	GR-DV 455499	60G187	GR-DV 415219	60G32	GR-DV 476470
60949	VIC 455364	60G107	GR-DV 415027	60G188	GR-DV 471442	60G33	GR-DV 417567
60952	VIC 415984	60G107	GR-DV 455027	60G19	GR-DV 416288	60G34	GR-DV 470059
60953	VIC 417316	60G108	GR-DV 471570	60G2	GR-DV 416339	60G34	GR-DV 470380
60953	VIC 455004	60G109	GR-DV 417546	60G2	GR-DV 455031	60G35	GR-DV 450301
60954	VIC 417316	60G11	GR-DV 416077	60G20	GR-DV 416229	60G35	GR-DV 472397
60954	VIC 455004	60G110	GR-DV 471466	60G203	GR-DV 415035	60G36	GR-DV 417211
60956	VIC 415960	60G111	GR-DV 474278	60G203	GR-DV 415953	60G38	GR-DV 473460
60956	VIC 455009	60G111	GR-DV 480356	60G21	GR-DV 415023	60G39	GR-DV 417191
60961	VIC 455005	60G112	GR-DV 470334	60G217	GR-DV 415088	60G4	GR-DV 415995
60963	VIC 417485	60G112	GR-DV 50289	60G217	GR-DV 455088	60G4	GR-DV 455013
609638A	WHITE 470898	60G113	GR-DV 470590	60G22	GR-DV 450183	60G40	GR-DV 411245
60964	VIC 2081	60G114	GR-DV 470163	60G22	GR-DV 472179	60G40	GR-DV 455096
60968	VIC 417344	60G114	GR-DV 471766	60G220	GR-DV 415023	60G41	GR-DV 415449
60968	VIC 455006	60G116	GR-DV 470334	60G221	GR-DV 455018	60G41	GR-DV 455147
6096LA	JN-MN 450316	60G118	GR-DV 415302	60G221	GR-DV 476470	60G42	GR-DV 450274
6096LA	JN-MN 472636	60G12	GR-DV 417298	60G222	GR-DV 416556	60G43	GR-DV 417602
60970	VIC 417158	60G120	GR-DV 471192	60G222	GR-DV 472157	60G44	GR-DV 417604
60970	VIC 455355	60G121	GR-DV 473205	60G224	GR-DV 417366	60G45	GR-DV 450183
60972	VIC 416921	60G122	GR-DV 40301S	60G226	GR-DV 472015	60G45	GR-DV 472179
60974	VIC 417134	60G123	GR-DV 40301S	60G227	GR-DV 473232	60G46	GR-DV 470682
60975	VIC 416921	60G124	GR-DV 455195	60G228	GR-DV 415088	60G47	GR-DV 471801
60975	VIC 455011	60G124	GR-DV 472157	60G228	GR-DV 455088	60G48	GR-DV 470074
60979	VIC 416654	60G125	GR-DV 472810	60G229	GR-DV 450301	60G48	GR-DV 474265
60979	VIC 455012	60G125199	GR-DV 415227	60G229	GR-DV 472397	60G49	GR-DV 472394
60981	VIC 417486	60G125200	GR-DV 417298	60G23	GR-DV 473245	60G5	GR-DV 416339
60986	VIC 415995	60G125201	GR-DV 415196	60G230	GR-DV 415147	60G5	GR-DV 455031
60986	VIC 455013	60G125202	GR-DV 415090	60G230	GR-DV 415449	60G50	GR-DV 410312N
60987	VIC 415995	60G128	GR-DV 450111	60G236	GR-DV 471413	60G51	GR-DV 473225
60987	VIC 455013	60G13	GR-DV 416666	60G238	GR-DV 455134	60G52	GR-DV 450183
60988	VIC 415995	60G130	GR-DV 471760	60G239	GR-DV 473245	60G52	GR-DV 472179
60988	VIC 455013	60G131	GR-DV 471652	60G24	GR-DV 471750	60G53	GR-DV 450083
60991	VIC 417351	60G132	GR-DV 473224	60G242	GR-DV 415551	60G53	GR-DV 472924
60991	VIC 455154	60G133	GR-DV 340771	60G244	GR-DV 417172	60G54	GR-DV 411245
60993	VIC 417487	60G134	GR-DV 450457	60G246	GR-DV 470059	60G54	GR-DV 455096
60993	VIC 455014	60G135	GR-DV 471801	60G246	GR-DV 470380	60G55	GR-DV 416654
60996	VIC 415088	60G14	GR-DV 412119	60G247	GR-DV 470358	60G55	GR-DV 455012
60996	VIC 455088	60G14	GR-DV 450101	60G247	GR-DV 473231	60G56	GR-DV 416288
60997	VIC 455019	60G141	GR-DV 416239	60G25	GR-DV 457874	60G57	GR-DV 415995
60998	AM WH 471760	60G142	GR-DV 417603	60G250	GR-DV 40140S	60G57	GR-DV 455013
60998	VIC 415088	60G145	GR-DV 470328	60G251	GR-DV 415483	60G58	GR-DV 417196
60998	VIC 477163N	60G145	GR-DV 481213	60G251	GR-DV 455368	60G59	GR-DV 417205
609VB7	MARI 417298	60G15	GR-DV 417316	60G252	GR-DV 470334	60G6	GR-DV 415058
60DD20	GR-DV 473230	60G15	GR-DV 455004	60G252	GR-DV 50289	60G60	GR-DV 416891
60DD64	GR-DV 417254	60G150	GR-DV 455005	60G254	GR-DV 417316	60G61	GR-DV 470062
60DD83	GR-DV 417172	60G151	GR-DV 415009	60G254	GR-DV 455004	60G61	GR-DV 474264
60DD92	GR-DV 450298	60G151	GR-DV 415960	60G258	GR-DV 415984	60G62	GR-DV 450183
60DD92	GR-DV 473239	60G152	GR-DV 472144	60G26	GR-DV 416865	60G62	GR-DV 472179
60G1	GR-DV 416921	60G155	GR-DV 415988	60G26	GR-DV 455070	60G63	GR-DV 415187
60G1	GR-DV 455011	60G157	GR-DV 417343	60G27	GR-DV 455018	60G64	GR-DV 413469

INTERCHANGE SECTION

COMPETITIVE INTERCHANGES

Mfr No.	Mfr.	National	Mfr No.	Mfr.	National	Mfr No.	Mfr.	National	Mfr No.	Mfr.	National
60G65	GR-DV	413469	61027	VIC	455336	61101	VIC	416047	61169	VIC	455188
60G66	GR-DV	415349	61028	VIC	455022	61101	VIC	416332	61171	VIC	417357
60G69	GR-DV	470806	6103	C-R	710274	6110100014	MERCE	710812	61171	VIC	455192
60G7	GR-DV	415138	6103	SKF	710274	6110100114	MERCE	710812	61173	VIC	417357
60G70	GR-DV	450070	610318C91	IH	411376	6110100214	MERCE	710812	61173	VIC	455192
60G70	GR-DV	472185	61033	VIC	455018	61101S	TROS	7607	61174	VIC	416130
60G71	GR-DV	410312N	61033	VIC	476470	61102	TROS	8139	61175	VIC	415036
60G72	GR-DV	474274	610336C91	IH	415004	61103	TROS	291295	611758	ALLCH	473460
60G73	GR-DV	415991	610336C91	IH	417316	61103	VIC	415937	61176	VIC	417507
60G73	GR-DV	455146	610337C91	IH	8971H	611035	WOOL	450183	61176	VIC	455513
60G8	GR-DV	450085	61036	VIC	417181	611035	WOOL	472179	611760	ALLCH	456865N
60G8	GR-DV	470530	61038	VIC	418028	61103D	IH	471192	611761	ALLCH	455035N
60G83	GR-DV	417191	61038	VIC	455137	61104S	TROS	331301N	611763	ALLCH	415254
60G84	GR-DV	417210	61040	VIC	418028	61105	VIC	417355	611764	ALLCH	473452
60G85	GR-DV	471705	61040	VIC	455137	61108	VIC	416125	61177	VIC	415041
60G86	GR-DV	450117	61041	VIC	417353	61109	VIC	416125	611770	SPERY	415035
60G86	GR-DV	472572	61042	VIC	415023	61112	VIC	417501	611770	SPERY	415953
60G87	GR-DV	417366	610465C91	IH	450593	61116	VIC	55030	61178	VIC	415041
60G88	GR-DV	455151	61047	VIC	416292	61117M1	MASSE	200752	61179	VIC	417509
60G89	GR-DV	417351	6105	C-R	340387	61120	TROS	7834	6118	BORGW	473452
60G89	GR-DV	455154	6105	SKF	340387	61121	VIC	415379	61181	VIC	417223
60G9	GR-DV	411253	61051	VIC	415085	61121	VIC	455379	61188	VIC	455037
60G9	GR-DV	450099	61051	VIC	456648	61123	VIC	417205	6119	C-R	340849
60G90	GR-DV	416011	610521	GMC	456744N	61125	VIC	416339	6119	SKF	340849
60G90	GR-DV	417621	61054	VIC	455024	61125	VIC	455031	61197	VIC	455134
60G91	GR-DV	470334	61059	VIC	412473	61127	VIC	415150	61199	VIC	415142
60G91	GR-DV	50289	61059	VIC	415894	6112R	JN-MN	450867	611D	CALI	415234
60G92	GR-DV	415021	61061	VIC	417191	6112R	JN-MN	470898	612	UNIVE	417596
60G95	GR-DV	470334	61062	VIC	417191	6113300825	MERCE	710467	6120	C-R	253747
60G95	GR-DV	50289	61063	VIC	417354	61136	VIC	417504	6120	C-R	340849
60G96	GR-DV	450301	61064	VIC	455249	61138	VIC	455032	6120	O-M	343185
60G96	GR-DV	472397	61065	VIC	415025	6113LA	JN-MN	450365	6120	SKF	253747
60G97	GR-DV	473245	61070	VIC	55419	6113LA	JN-MN	470898	6120	SKF	340849
60G9763	GR-DV	415090	610712C92	IH	417349	6113LPD	JN-MN	450365	612000	CLARK	410059
60G9764	GR-DV	417298	61072	VIC	417493	6113LPD	JN-MN	470898	612000	CLARK	470380
60G9765	GR-DV	415196	61074	VIC	455026	6113LUD	JN-MN	450365	61201	VIC	417512
60G98	GR-DV	470059	61078	VIC	415991	6113LUD	JN-MN	470898	61203	VIC	415043
60G98	GR-DV	470380	61078	VIC	455146	61140	VIC	455189	61203S	TROS	470064
60G99	GR-DV	416288	61079	GW	415991	6114180	GMC	417316	61203S	TROS	471821
60J175	GR-DV	415294	61079	GW	455146	6114180	GMC	455004	61205	VIC	455203
60J175	GR-DV	455294	61079	VIC	415991	61145	VIC	417210	61207	VIC	455056
60N1617	WGEAR	470120	61079	VIC	455146	61147	VIC	417211	61210	C-R	455330
60N1617	WGEAR	471224	6107OSR	JN-MN	473215	61150	VIC	416345	61210	SKF	455330
60X171	GR-DV	415124	61081	VIC	417196	61150	VIC	455033	61212	VIC	455194
61A2652	BENDI	415035	610813	MICH	417298	61151	VIC	417366	61214	VIC	417513
61A2652	BENDI	455035	61083	VIC	415437	61152	VIC	415697	61216	VIC	417514
610	UNIVE	417298	610866C92	IH	412040	61152	VIC	455547	61220	VIC	417516
61004	VIC	455015	610867C92	IH	411394	61156	VIC	455186	61222	VIC	415058
6100B	JN-MN	416153	610867C92	IH	450317	61158	VIC	415034	61225	VIC	455195
6100LPD	JN-MN	416153	610870C92	IH	417344	61158	VIC	455034	61225	VIC	472157
61013	VIC	416011	6108B	JN-MN	416956	6116	HYST	415645	61227	VIC	415196
61013	VIC	417621	6108LUP	JN-MN	416956	61160	VIC	455191	61229	VIC	416891
610136C91	IH	473214	61090	VIC	415711	61161	TROS	42101S	6122LA	JN-MN	470074
61015	VIC	416288	61092	VIC	417497	61161	VIC	417506	6122LA	JN-MN	474265
61018	VIC	417171	61094	OLIVE	415483	61165	VIC	415187	6122LUP	JN-MN	470074
61019	VIC	417172	61094	OLIVE	455368	61167	JAE	415035	6122LUP	JN-MN	474265
61020	VIC	415021	61094	VIC	417498	61167	JAE	455035	61232	VIC	416891
61022	VIC	415394	61095	VIC	417498	61167	VIC	415035	61234	VIC	416137
61024	VIC	456105	61096	VIC	55028	61167	VIC	455035	61235	VIC	417518
61026	VIC	417490	611	CALI	415234	61169	VIC	417356	61236	VIC	415058

INTERCHANGE SECTION

COMPETITIVE INTERCHANGES



Mfr No.	Mfr. National	Mfr No.	Mfr. National	Mfr No.	Mfr. National	Mfr No.	Mfr. National
61240S	TROS 7886S	61312	VIC 417537	614135	OPEL 710811	614829	OPEL 710237
61241	VIC 455197	61315	VIC 415138	614138	GERL 416107	614830	OPEL 228008
61241	VIC 455197N	61317	VIC 417538	614138	GERL 455073	614838	OPEL 229005
61243	VIC 417520	61319	VIC 417247	61414	VIC 417298	614840	OPEL 710237
61245	VIC 416144	613199	CATER 473463	614145	GERL 455056	614858	OPEL 710799
612462R91	IH 471341	61321	VIC 415066	61419	VIC 417596	61489	BUC-E 417604
61247	VIC 417238	61326	VIC 416163	614202	CATER 417298	61489	VIC 417604
61248	C-R 415074	61328	VIC 456890	614202	GERL 417298	61494	VIC 417567
61248	SKF 415074	6133	GARLK 340483	61424	VIC 455584	614976	OPEL 710674
6125	C-R 343105	61330	AM WH 417247	61429	VIC 416239	6149LA	JN-MN 455194
6125	C-R 7399S	61333	GWJ 416167	614299	OPEL 710811	61500	VIC 415128
6125	SKF 343105	61333	GWJ 455091	6143	C-R 7188S	6150037	FORD 331107N
6125	SKF 7399S	61333	VIC 416167	6143	SKF 7188S	61509S	TROS 342805
612514	FORD 711001	61333	VIC 455091	61430	VIC 416239	6151	C-R 351487
61252	VIC 415196	61335	VIC 417267	61434	VIC 416077	6151	SKF 351487
61254	VIC 415047	61337	VIC 417269	61439	BUC-E 415116	61510	VIC 415090
61255	C-R 457874	6133SH	JN-MN 417267	61439	VIC 415116	61510S	TROS 7751H
61255	SKF 457874	61342	VIC 417539	614410R91	IH 40568S	61512S	TROS 473228
61256	VIC 416149	61344	VIC 417273	61444	VIC 455117	61514S	TROS 8421S
61257	VIC 6635S	61349	VIC 416865	6144631	SPICE 471689	615166	CLARK 471264
61258	VIC 415060	61349	VIC 455070	61449	MARI 415551	6152	C-R 314267N
61263	VIC 457295	6134LA	JN-MN 473213	61449	VIC 415551	6152	C-R 340724
61266	VIC 417525	6134LPD	JN-MN 473213	6144LA	JN-MN 416339	6152	CLIN 481443
61268	VIC 417526	61350	VIC 417541	6144LA	JN-MN 455031	6152	SKF 314267N
612692R91	IH 471341	6135090	FORD 713087	61454	VIC 417598	6152	SKF 340724
612693R91	IH 476838	61354	VIC 417546	61459	VIC 455406	61520	VIC 415219
61270	VIC 415351	613558C91	IH 415351	6145LA	JN-MN 417181	61520S	TROS 7929S
61272	VIC 415351	61359	VIC 415645	614631	SPICE 473473	61521S	TROS 7937N
61275	VIC 416888	61359	VIC 455104	614633	SPICE 417316	61530	VIC 417606
61275	VIC 455200	6135B	JN-MN 450472	614633	SPICE 455004	615380	CLARK 472185
61277	VIC 416153	61364	VIC 415938	6146343	SPICE 471570	615438C91	IH 8126S
61277R91	IH 410316	613640C91	IH 456865N	61464	VIC 455121	6154632	SPICE 415088
61277R91	IH 472636	61369	AM HO 416107	61466	VIC 417600	6154632	SPICE 455088
612787	UNIVE 417563	61369	AM HO 455073	61467	VIC 417601	615499C91	IH 7840S
612788	MICH 417563	61369	BUC-E 416107	614682	CLARK 40169S	61550	VIC 417020
61279	VIC 416892	61369	BUC-E 455073	61469	VIC 417602	6155579	FORD 3774
61281	VIC 416154	61369	VIC 416107	614699	CATER 473475	61559	VIC 417570
61282	VIC 416070	61369	VIC 455073	6146LA	JN-MN 415035	61567	VIC 415227
61283	VIC 415351	61374	VIC 417556	6146LA	JN-MN 455035	615670C91	IH 475002N
61288	VIC 417533	61379	VIC 416666	6146LUP	JN-MN 415035	6158	MARI 417020
61290	VIC 417534	61384	VIC 416476	6146LUP	JN-MN 455035	615803	WHITE 471689
61297	VIC 415371	61384	VIC 455075	6147	C-R 7188S	615826	CATER 410183N
61299	AM HO 416158	61389	BUC-E 415072	6147	SKF 7188S	615831C91	IH 475380N
61299	VIC 416158	61389	VIC 415072	614702	GERL 415559	615833C91	IH 473243
6131986	TRMBL 370036A	6138LA	JN-MN 450365	614729	CLARK 471760	61585	VIC 415482
6131986	TRMBL 370349A	6138LA	JN-MN 470898	614733	CLARK 471570	615860	CLARK 415013
6130	C-R 340797	613901C91	IH 416288	61474	VIC 455123	615860	CLARK 415995
6130	C-R 343105	6139050	FORD 3393	614740	CLARK 41787S	6158SS	JN-MN 240733
6130	C-R 7399S	613938	WHITE 410316	61479	VIC 415124	615N2	WHITE 473215
6130	SKF 340797	613938	WHITE 472636	614802	OPEL 229005	61604	VIC 415076
6130	SKF 343105	61394	VIC 457874	614811	OPEL 228008	6161052	HERCU 340771
6130	SKF 7399S	61399	VIC 417562	614811	VAUXH 228008	6161106A	HERCU 471466
61301	VIC 415064	614	UNIVE 455584	614813	OPEL 710232	6161310	HERCU 417210
61306	VIC 415284	61402S	TROS 471193N	614817	OPEL 710232	6161310B	HERCU 417210
61308	VIC 417535	61404	VIC 417563	614819	OPEL 710237	61618	MC-CL 471551
6131	CHRY5 470027	61408	VIC 416229	614820	OPEL 228008	61620S	TROS 2692
6131	CHRY5 471554	6140LA	JN-MN 417316	614820	VAUXH 228008	61626	VIC 473425
6131	DURA 470027	6140LA	JN-MN 455004	614821	OPEL 228008	6162LA	JN-MN 471765
6131	DURA 471554	6141	C-R 7188S	614821	VAUXH 228008	6162LUP	JN-MN 471765
61310	VIC 417536	6141	SKF 7188S	614827	GMC 710824	61630	MARI 455406

INTERCHANGE SECTION

COMPETITIVE INTERCHANGES

INTERCHANGE SECTION

Mfr No.	Mfr.	National	Mfr No.	Mfr.	National	Mfr No.	Mfr.	National	Mfr No.	Mfr.	National
616310	HERCU	417210	61840	C-R	455583N	6200C01017	AM MA	472636	6207216	B-L-H	474278
6163S	TIMKE	6163S	61840	SKF	455583N	6200C01033	AM MA	415371	6207216	B-L-H	480356
6164	NATL	452222	6184211	FORD	222742	6200LA	JN-MN	415449	62073	VIC	40769S
6164	SEAMA	412119	6186	TIMKE	6186	6200LA	JN-MN	455147	62074	VIC	40468
6164	SEAMA	450101	618641	ALLCH	472185	62010	VIC	43071S	62077	VIC	43089S
61640009	TROS	417223	618662	ALLCH	470954	6201050	REX	415379	62078	VIC	42421S
61641209	TROS	417516	618662	ALLCH	480954	6201050	REX	455379	620782	GERL	415025
61641609	TROS	370031A	6186S	NATL	6186	62012	GWJ	350954	620784	ALLCH	450194
61641609	TROS	380031A	618841	ALLCH	340009S	62012	GWJ	470954	620784	ALLCH	473010
61642409	TROS	370019A	618897	WHITE	5408	62016	VIC	40370S	6207849	ALLCH	450194
61643609	TROS	457585	618950	WHITE	5401	62019	VIC	40395	6207849	ALLCH	473010
61644009	TROS	370021A	618951	WHITE	5403	62019	VIC	40395S	620785	ALLCH	470219
61646009	TROS	417273	6189SS	JN-MN	343105	620199	VIC	370003A	620785	ALLCH	471649
61650009	TROS	370028A	6189SS	JN-MN	7399S	620199	VIC	380003A	62079	VIC	204503
61650010	TROS	370028A	619	C-R	5M466	620199	WHITE	370003A	62079	VIC	473237
61650014	TROS	416865	619	SKF	5M466	620199	WHITE	380003A	62080	VIC	47150S
61650809	TROS	417258	6190B	JN-MN	415281N	62019AN	BUC-E	40395	620812	UNIVE	417298
61650811	TROS	417258	619153	CHRYSL	473313	62019AN	BUC-E	40395S	62083	VIC	6241S
61651607	TROS	417262	619586C91	IH	413246	620216	SPICE	5131	620834	GERL	473458
61651609	TROS	417262	619586C91	IH	413246N	620218	GERL	415187	620840	SPICE	483793
61651609	TROS	455448	619621C91	IH	416288	62021AN	BUC-E	340151	620843	WHITE	JV753
6165498	FORD	3774	619884	WHITE	415138	62025	VIC	45637S	620843A	WHITE	370007A
6165500	FORD	3771	619888	ALLCH	450183	620257	SPICE	2300	620848	WHITE	370006A
6165502	FORD	3772	619888	ALLCH	472179	62028	VIC	43076S	620871	ALLCH	470358
6165RPD	JN-MN	415697	619890	ALLCH	416891	620297	ADAMS	417205	620871	ALLCH	473231
6165RPD	JN-MN	455547	619900	ALLCH	471138	62031	VIC	330385	62096	VIC	471869
616654	CLARK	40059S	619901	ALLCH	471689	62032	VIC	240435	62096	VIC	473459
61670	AM WH	415645	619982C91	IH	472439	62035	VIC	40652S	62099	VIC	415227
61670	AM WH	455104	62F95C	PUL	415995	62040	VIC	41526S	6209SH	JN-MN	40169S
616800	UNIVE	416229	62F95C	PUL	455013	62041	VIC	340771	620A50420	TROS	370003A
61692R91	IH	417344	620C01019	REX	450519	62043	VIC	40568S	620A50420	TROS	380003A
61692R91	IH	455006	620C01019	REX	471271	62044	VIC	42311S	620C01005	AM MA	473227
6169LA	JN-MN	416364	620C1018	REX	412119	620456	ADAMS	415645	620C01011	AM MA	203034
616A42410	TROS	370019A	620C1018	REX	450101	620456	ADAMS	455104	620C01014	AM MA	471424
616B43209	TROS	370021A	620C1034	REX	415371	62046	VIC	340413	620C01019	SEAMA	450519
616D045	BENDI	415035	620C1052	REX	415371	62049	VIC	340787	620C01019	SEAMA	471271
616D045	BENDI	455035	6200	TIMKE	6200	620491	SPICE	471276	620C01021	AM MA	415082
61701	TROS	5591	62000	C-R	2628	620493	SPICE	471737	620C01023	AM MA	416664
617250	CHRYSL	470120	62000	C-R	39885	62050	VIC	46997S	620C01023	AM MA	455364
617250	CHRYSL	471224	62000	C-R	39887	62051	VIC	350364	620C01024	AM MA	415281N
6172LA	JN-MN	471276	62000	SKF	2628	620512	ADAMS	415991	620C01029	AM MA	417496
617318	STUDE	416271	62000	SKF	39885	620512	ADAMS	455146	620C01032	AM MA	415060
6173OSR	JN-MN	417205	62000	SKF	39887	62053	VIC	40576S	620C01034	AM MA	415371
61740	C-R	455583N	62000	VIC	41264S	620531	WHITE	416167	620C01035	SEAMA	415371
61740	SKF	455583N	62001	C-R	39888	620531	WHITE	455091	620C01041	AM MA	417554
6174OSR	JN-MN	418028	62001	C-R	39889	620532X20	TROS	370027A	620C01048	AM MA	416892
6174OSR	JN-MN	455137	62001	C-R	5613	62054	VIC	40566S	620C01052	AM MA	415371
61758	AM WH	415379	62001	SKF	39888	62055	VIC	40140S	620C01053	AM MA	416404
61758	AM WH	455379	62001	SKF	39889	620590	SPICE	710043	62100	VIC	416404
61761	TROS	227040	62001	SKF	5613	62060	VIC	42763	62101	TROS	9015S
6176472	FORD	3772	62001	VIC	240319	620602	ADAMS	417171	62101	VIC	416297
61781R91	IH	5408	620022	WHITE	476470	620602	LETN	417171	62102	VIC	6358
61783R91	IH	5408	620027	CATER	417223	620616	GERL	456105	621028060	SUBAR	225005
617845	CATER	415045	620058	DANA	710385	62062	VIC	41075S	62102S	TROS	9015S
61801S	TROS	7399S	620058	SPICE	710385	62066	VIC	5865	621033R91	IH	471831
61802S	TROS	7840S	620062	SPICE	710044	62068	VIC	417485	62106	VIC	415725
618113	WHITE	40468	62008	VIC	40973S	62069	VIC	41787S	62108	VIC	415938
618139	ALLCH	411253	62009	VIC	6064	6206B	JN-MN	417254	6211115	WHITE	455480
618139	ALLCH	450099	6200C01004	AM MA	473016	62070	VIC	43086S	6211116	WHITE	470163
61820S	TROS	471652	6200C01017	AM MA	450316	62071	VIC	471785	6211116	WHITE	471766

COMPETITIVE INTERCHANGES



Mfr No.	Mfr.	National	Mfr No.	Mfr.	National	Mfr No.	Mfr.	National	Mfr No.	Mfr.	National
621156	ALLCH	412040	62203	VIC	471442	62248	VIC	471570	622610C91	IH	240735
621187	ADAMS	415138	62204	VIC	471526	62249	VIC	471570	62262	VIC	471224
621189C91	IH	450082	62205	VIC	471526	622492	MANT	416107	622620	MANT	415991
621189C91	IH	473238	62206	VIC	471526	622492	MANT	455073	622620	MANT	455146
621201C91	IH	472572	62208	VIC	471472	622496	MANT	417316	622625	MANT	416339
621225C91	IH	470954	62209	VIC	471472	622496	MANT	455004	622625	MANT	455031
621225C91	IH	480954	62210	VIC	471472	622497	MANT	417082	622627	MANT	417546
6213	C-R	471466V	62211	VIC	471472	622498	MANT	417211	622633	MANT	417596
6213	SKF	471466V	62212	VIC	471466	6225	C-R	471466	62264	VIC	471649
62132	VIC	470403	62213	VIC	471466	6225	SKF	471466	62265	VIC	471649
62132	VIC	470774	62214	VIC	471466	62250	VIC	470680	62266	VIC	471649
6213LA	JN-MN	471646	62215	VIC	471466	62250	VIC	471570	62268	VIC	471689
62140	TROS	8121S	62216	VIC	471264	622500	MANT	415437	62269	VIC	471689
6215	C-R	471466V	62218	VIC	471264	622505	MANT	412040	6226LA	JN-MN	450285
6215	SKF	471466V	62219	VIC	471264	622506	MANT	415991	62270	VIC	471689
62152	VIC	471707N	62220	VIC	471255	622506	MANT	455146	62272	VIC	471733
6215516	B-L-H	450082	62220SK	VIC	471255	622507	MANT	415991	62273	VIC	471733
6215516	B-L-H	473238		TROS	484054	622507	MANT	455146	62274	VIC	471733
62156	VIC	9613S	62221	VIC	471255	622509	MANT	416229	62275	VIC	471733
62158	VIC	473258	62222	VIC	471255	62251	VIC	470680	62276	VIC	471652
62159	VIC	471835	62223	VIC	471255	62251	VIC	471570	62276	VIC	482208
62160	VIC	470950	62224	VIC	471564	622512	MANT	415047	62277	VIC	471652
62160	VIC	6241S	62225	VIC	471564	622513	MANT	411253	62278	VIC	471652
62171	VIC	340815	62226	VIC	471564	622513	MANT	450099	62279	VIC	471652
621713	ADAMS	455018	62228	VIC	470954	622516	MANT	417269	62280	VIC	471692
621713	ADAMS	476470	62228	VIC	480954	622518	MANT	415027	62281	VIC	471692
621713	LETN	455018	62229	VIC	470954	622518	MANT	455027	62282	VIC	471692
621713	LETN	476470	62229	VIC	480954	62252	VIC	471646	62283	VIC	471692
621713	WABCO	455018	62230	VIC	470954	622526	MANT	415088	62284	VIC	470712
621713	WABCO	476470	622300C91	IH	455019	622526	MANT	455088	62285	VIC	470712
62173	VIC	473517	622300C92	IH	455019	622527	MANT	417487	62286	VIC	470712
62175	VIC	450400	622301C91	IH	473238	622527	MANT	455086	62287	VIC	470712
62176	VIC	470351	622309	WOOL	416071	62253	VIC	471646	62288	VIC	471763
62178	VIC	472070	62231	VIC	470954	622532	MANT	417269	62289	VIC	471763
62182	VIC	332062	62232	VIC	471554	622533	MANT	415035	6229	C-R	712024
62184	VIC	473179	622322	MANT	471760	622533	MANT	455035	6229	SKF	712024
62187	VIC	451078	622325	MANT	455583N	622534	MANT	417278	62290	VIC	471763
62188	VIC	352541	62233	VIC	470027	622535	MANT	412473	62291	VIC	471763
62189	VIC	472341	62233	VIC	471554	622535	MANT	415894	62292	VIC	471413
6218LA	JN-MN	416345	622332	MANT	481568	622537	MANT	415645	62293	VIC	471413
6218LA	JN-MN	455033	62234	VIC	471554	622537	MANT	455104	62294	VIC	471413
6218LUP	JN-MN	416345	62235	VIC	471554	622538	MANT	416239	62295	VIC	471413
6218LUP	JN-MN	455033	62236	VIC	471567	622539	MANT	415076	62296	VIC	471737
62190	VIC	472082	62237	VIC	471567	622540	MANT	416476	62297	VIC	471737
62191	VIC	473467	62238	VIC	471567	622540	MANT	455075	62298	VIC	471737
62192	VIC	472018	622382	MANT	450095	622542	MANT	416666	622984	ALLCH	415281N
62193	VIC	470354	622382	MANT	473464	622543	MANT	417298	62299	VIC	471737
62194	VIC	471341	622386	MANT	416404	62255	VIC	471646	623021042	SUBAR	710227
62196	VIC	471272	622387	MANT	45525S	622555	MANT	416892	623024042	SUBAR	710227
62198	VIC	410825	62239	VIC	471567	62256	VIC	470590	62300	VIC	471766
621986	ADAMS	450316	62240	VIC	471643	622561	MANT	415086N	623002020	SUBAR	1984
621986	ADAMS	472636	62240S	TROS	8133S	622561	MANT	417487	62301	VIC	470163
62199	VIC	455151	62241	VIC	471643	62257	VIC	470590	62301	VIC	471766
621993	CLARK	472179	622416	MANT	416229	622573	MANT	415001	62302	VIC	471766
622	ROTO	340009S	62242	VIC	471643	622573	MANT	455001	62303	VIC	410163
62200	VIC	471442	62243	VIC	471643	622578	MANT	455471	62303	VIC	470163
62201	VIC	471442	62244	VIC	471267	62258	VIC	470590	62303	VIC	471766
62201S	TROS	8293S	62245	VIC	471267	62259	VIC	470590	62304	VIC	471795
62202	VIC	471442	62246	VIC	471267	62260	VIC	471224	62305	VIC	471795
62203	VIC	410119	62247	VIC	471267	62261	VIC	471224	62306	VIC	471795

INTERCHANGE SECTION

COMPETITIVE INTERCHANGES

Mfr No.	Mfr. National	Mfr No.	Mfr. National	Mfr No.	Mfr. National	Mfr No.	Mfr. National
62307	VIC 471795	6235LA	JN-MN 417343	62406	VIC 472397	62447	VIC 412920
62308	VIC 472258	62360	VIC 472164	62407	VIC 472397	62448	VIC 470565
62309	VIC 472258	62362	VIC 472164	62408	VIC 473242	62449	VIC 470565
62310	VIC 472258	62364	VIC 472185	62409	VIC 473242	6245	GWJ 416865
62311	VIC 472258	62365	VIC 450070	6240J	DIA 450316	62450	VIC 470565
62312	VIC 471192	62365	VIC 472185	6240J	DIA 472636	62451	VIC 470565
62313	VIC 471192	62367	VIC 472185	6241	EATON 470950	62452	VIC 413246
62314	VIC 471192	62368	VIC 472179	6241	EATON 6241S	62452	VIC 413246N
62316	VIC 473214	62369	VIC 450183	6241	SEAMA 471424	62453	VIC 413246
62317	VIC 470169	62369	VIC 472179	62410	VIC 473242	62453	VIC 413246N
62317	VIC 473214	62369A	VIC 472179	62411	VIC 473242	62454	VIC 413246
62318	VIC 473214	62370	VIC 472179	62412	VIC 473204	62454	VIC 413246N
62319	VIC 473214	62371	VIC 472179	62413	VIC 473204	62455	VIC 413246
62320	VIC 473215	62372	VIC 472439	62414	VIC 473204	62455	VIC 413246N
62321	VIC 473215	62373	VIC 472439	62415	VIC 473204	62456	VIC 413247
62322	VIC 473215	62374	VIC 472439	62416	VIC 470898	62457	VIC 413247
62323	VIC 473215	62375	VIC 472439	62417	VIC 450867	62458	VIC 413247
62325	VIC 473227	62376	VIC 472572	62417	VIC 470898	62459	VIC 413247
62326	VIC 473227	62377	VIC 450117	62418	VIC 470898	6245M1	GWJ 416865
62327	VIC 473227	62377	VIC 472572	62419	VIC 470898	6245M1	GWJ 455070
62328	VIC 470625	62377A	VIC 450117	6241A	EATON 471795	62460	VIC 416271
62329	VIC 470625	62377A	VIC 472572	6241H	TRUK 450115	62461	VIC 416271
62330	VIC 470625	62378	VIC 472572	6241H	TRUK 473467	62462	VIC 416271
62332	VIC 470380	623784	ALLCH 415379	6241R	JN-MN 455583N	624621	GERL 413478
62333	VIC 470380	623784	ALLCH 455379	6241S	NATL 470950	62463	VIC 416271
62334	VIC 470380	62379	VIC 472572	6241S	TIMKE 6241S	6246314	SPICE 474276
62336	VIC 473228	62380	VIC 473238	62420	TROS 8181NA	624632	SPICE 450185
62336	VIC 481837	62381	VIC 450082	62420	VIC 472015	624632	SPICE 473229
62337	VIC 450067	62381	VIC 473238	62421	VIC 472015	6246325	SPICE 450185
62337	VIC 473228	62382	VIC 473238	62422	VIC 472015	6246325	SPICE 473229
62338	VIC 473228	62383	VIC 473238	62422A	VIC 472015	624633	SPICE 450301
62339	VIC 473228	62384	VIC 473239	62423	VIC 472015	624633	SPICE 472397
62340	VIC 473230	62385	VIC 450298	62424	VIC 472016	6246342	SPICE 415458
62341	VIC 473230	62385	VIC 473239	62426	VIC 472016	6246342	SPICE 455003
62342	VIC 473230	62386	VIC 473239	62427	VIC 472016	624636	SPICE 475012N
62343	VIC 473230	62387	VIC 473239	62428	VIC 473243	624638	SPICE 452742
62344	VIC 473231	62388	VIC 473240	62429	VIC 473243	624639	SPICE 6668S
623442	GERL 415082	62389	VIC 473240	62430	VIC 473243	62464	VIC 471271
62345	VIC 470358	62390	VIC 413248	62431	VIC 473243	62465	VIC 471271
62345	VIC 473231	62391	VIC 473240	62432	VIC 471272	624650	ALLCH 451817
62346	VIC 473231	62392	VIC 471424	62433	VIC 471272	624653	ALLCH 411376
6234631	SPICE 455195	62393	VIC 471424	62434	VIC 471272	624653	ALLCH 455093
6234631	SPICE 472157	62394	VIC 471424	62435	VIC 471272	624655	ALLCH 416345
6234632	SPICE 450519	62395	VIC 471424	624359	CLARK 470380	624655	ALLCH 455033
6234632	SPICE 471271	62396	VIC 472492	62436	VIC 471138	62466	VIC 471271
6234633	SPICE 450143	62397	VIC 450389	624360	CLARK 471760	62467	VIC 471271
62347	VIC 473231	62397	VIC 472492	624361	CLARK 415147	62468	VIC 470605
62348	VIC 473010	62398	VIC 472492	624361	CLARK 415449	62469	VIC 470605
62349	VIC 450194	62399	VIC 472492	624362	CLARK 415013	62470	VIC 470605
62349	VIC 473010	624	ROTO 240009	624362	CLARK 415995	62471	VIC 470605
6234LA	JN-MN 6936S	6240	C-R 240009	62437	VIC 471138	62472	VIC 415449
62350	VIC 473010	6240	SKF 240009	62438	VIC 471138	62473	VIC 415449
62351	VIC 473010	62400	VIC 472924	62439	VIC 471138	62474	VIC 415449
62352	VIC 473232	62401	TROS 8610	62440	VIC 472636	62475	VIC 415449
62354	VIC 473232	62401	VIC 472924	62441	VIC 472636	62476	VIC 416273
62355	VIC 473232	62402	VIC 472924	62442	VIC 472636	62477	VIC 416273
62356	VIC 473237	62403	VIC 472924	62443	VIC 472636	62478	VIC 416273
62357	VIC 473237	62404	VIC 472397	62444	VIC 412920	62479	VIC 416273
62358	VIC 473237	62405	VIC 450301	62445	VIC 412920	6248	SABO 710331
62359	VIC 473237	62405	VIC 472397	62446	VIC 412920	62480	VIC 413248

INTERCHANGE SECTION

COMPETITIVE INTERCHANGES



Mfr No.	Mfr. National	Mfr No.	Mfr. National	Mfr No.	Mfr. National	Mfr No.	Mfr. National
62481	VIC 413248	62532	VIC 417350	62574	VIC 417353	62613	VIC 415937
62482	VIC 413248	62533	VIC 417350	62575	VIC 417353	62614	VIC 415937
624825	MICH 417596	62534	VIC 417350	6257604	GMC 7537S	62615	VIC 415937
624825	UNIVE 417596	62535	C-R 417562	6257C	DIA 450083	62616	VIC 417355
62483	VIC 413248	62535	SKF 417562	6257C	DIA 472924	62617	VIC 417355
62484	VIC 415483	62535	VIC 417350	6257C	WHITE 450083	62618	VIC 417355
62486	VIC 415458	62536	VIC 415836	6257C	WHITE 472924	62619	VIC 417355
62486	VIC 415483	62536	VIC 415995	6257LA	JN-MN 417316	62620	VIC 416125
62488	VIC 415458	62537	VIC 415836	6257LA	JN-MN 455004	62621	VIC 416125
62489	VIC 415458	62537	VIC 415995	6257LPD	JN-MN 417316	62622	VIC 416125
62490	VIC 415458	62538	VIC 415836	6257LPD	JN-MN 455004	62623	VIC 416125
62492	VIC 417343	62538	VIC 415995	62580	VIC 412473	62624	VIC 416041
62493	VIC 417343	62539	VIC 415836	62580	VIC 415894	62625	VIC 416041
62494	VIC 417343	62539	VIC 415995	62581	VIC 412473	626257C91	IH 416666
62495	C-R 455480	62540	VIC 417351	62581	VIC 415894	626259C91	IH 415234
62495	SKF 455480	62541	VIC 417351	62582	VIC 412473	62626	VIC 416041
62495	VIC 417343	625412	WHITE 370019A	62582	VIC 415894	62627	VIC 416041
62496	VIC 416664	62542	VIC 417351	62583	VIC 412473	62628	VIC 415379
62497	C-R 455480V	625428	GR-DV 417269	62583	VIC 415894	62629	VIC 3893V
62497	SKF 455480V	62543	VIC 417351	62584	VIC 417191	62630	VIC 415379
62497	VIC 416664	62548	GR-DV 455195	62585	VIC 417191	62631	VIC 415379
62498	VIC 416664	62548	GR-DV 472157	62586	VIC 417191	62632	VIC 417205
62499	VIC 416664	6254K	FAIRB 417223	62587	VIC 417191	62633	VIC 417205
625	ROTO 471801	6255	CABOT 416865	62588	VIC 417354	62634	VIC 417205
62500	VIC 415984	6255	CABOT 455070	62589	VIC 417354	62635	VIC 417205
62501	VIC 415984	6255	GR-DV 416865	62590	VIC 417354	62636	VIC 416339
62502	VIC 415984	6255	GR-DV 455070	62591	VIC 417354	62637	VIC 416339
62503	VIC 415984	6255	HU-WR 416865	6259146	GMC 413470	62638	VIC 416339
62504	VIC 417316	6255	MINMA 416865	6259190	GMC 472394	62639	VIC 416339
62505	VIC 417316	625520R91	IH 481163	62592	VIC 416624	6263LA	JN-MN 415295
62506	VIC 417316	625521R91	IH 470954	62593	VIC 416624	62640	VIC 417211
62507	VIC 417316	625534	WHITE 451583	62594	VIC 416624	62641	VIC 417211
62508	VIC 415960	6255508	GMC 7537S	62595	VIC 416624	62642	VIC 417211
625088	ALLCH 471526	6255CR	F-R-H 416865	62596	VIC 415991	62643	VIC 417211
62509	VIC 415960	6255K	FAIRB 416865	62596	VIC 415991N	62648	VIC 415697
62509	VIC 455009	6255K	FAIRB 455070	62597	VIC 415991	62649	VIC 415697
62510	VIC 415960	6256074	GMC 471193N	62597	VIC 455146	6264R	JN-MN 417511
62510	VIC 4564V	62563	VIC 415304	62598	VIC 415991	62650	VIC 415697
62512	VIC 415303	62563	VIC 476470	62598	VIC 415991N	62651	VIC 415697
62514	VIC 415303	625631	CONTI 471763	62599	VIC 415991	62652	VIC 417366
62516	VIC 417344	625634	CATER 415350	62599	VIC 415991N	62653	VIC 417366
62517	VIC 417344	62564	VIC 417181	62600	VIC 417196	62654	VIC 417366
62518	VIC 417344	62565	VIC 417181	62601	VIC 417196	62655	VIC 417366
62519	VIC 417344	62566	VIC 417181	62602	VIC 417196	62656	VIC 415035
62520	VIC 417158	6256681	GMC 472705	62603	VIC 417196	62656	VIC 415953
62521	VIC 417158	62567	VIC 417181	62604	VIC 415437	62657	VIC 415035
62522	VIC 9864S	62568	VIC 417352	62605	VIC 415437	62657	VIC 455035
62522SF	VIC 9864S	62568	VIC 418028	62606	VIC 415437	62657M	VIC 415035
62523	VIC 417158	62569	VIC 417352	62607	VIC 415437	62657M	VIC 455035
62524	VIC 416921	62569	VIC 418028	6260707	GMC 472572	62658	SABO 710538
62525	VIC 416921	6256922	GMC 472705	6260718	GMC 473010	62658	VIC 415035
62526	VIC 416921	62570	VIC 417352	62608	VIC 416047	62658	VIC 415953
62527	VIC 416921	62570	VIC 418028	62608	VIC 416332	62659	VIC 415035
62527R91	IH 8650S	62571	VIC 417352	62609	VIC 416047	62659	VIC 415953
62528	VIC 417349	62571	VIC 418028	62609	VIC 416332	62660	VIC 417356
62529	VIC 100495	62572	C-R 415854	62610	VIC 416047	62661	VIC 417356
62529	VIC 415281N	62572	SKF 415854	62610	VIC 416332	62662	VIC 417356
62530	VIC 417349	62572	VIC 417353	62611	VIC 416047	62663	VIC 417356
62531	VIC 100495	62573	VIC 417353	62611	VIC 416332	62664	VIC 417357
62531	VIC 415281N	6257354	GMC 472705	62612	VIC 415937	62665	VIC 417357

INTERCHANGE SECTION

COMPETITIVE INTERCHANGES

Mfr No.	Mfr.	National	Mfr No.	Mfr.	National	Mfr No.	Mfr.	National	Mfr No.	Mfr.	National
62666	VIC	417357	62721	VIC	417262	62784	VIC	411376	62922	VIC	471692
62667	VIC	417357	62722	VIC	417262	627878	CHRY	473179	62925	VIC	417350
62668	AM WH	418028	62723	VIC	417262	62789	AM WH	471750	6292SS	JN-MN	472016
62668	AM WH	455137	62724	VIC	417358	62790	AM WH	455136	6293	C-R	710690
62668	VIC	416130	62725	VIC	417358	62793	VIC	416339	6293	SKF	710690
62669	VIC	416130	62726	VIC	417358	62794BX	OSHKO	416624	629317	CONTI	455080
62670	VIC	416130	62727	VIC	417358	62796	VIC	416476	62933	VIC	415958
62671	VIC	416130	62728	VIC	415645	627981	SPERY	1049	629355R91	IH	470169
62672	VIC	416556	6273	WOODB	470059	627D198	BENDI	473240	629355R91	IH	473214
62672	VIC	472157	6273	WOODB	470380	6280	C-R	471264	629419	CLARK	470712
62673	VIC	416556	62732	VIC	417359	6280	SKF	471264	6294LA	JN-MN	416339
62673	VIC	472157	62733	VIC	417359	62804	VIC	415498	6294LA	JN-MN	455031
62674	VIC	416556	62734	VIC	417359	62806	VIC	415035	6295	C-R	714616
62674	VIC	472157	62735	VIC	417359	62806	VIC	455035	6295	SKF	714616
62675	VIC	416556	62736	VIC	417254	62808	VIC	417247	6295LA	JN-MN	415036
62675	VIC	472157	62737	VIC	417254	62813	VIC	417365	62960	VIC	471750
62677	VIC	415196	62738	VIC	417254	62815	VIC	410825	6296LA	JN-MN	410737
62677M	VIC	415196	62739	VIC	417254	62825	VIC	471785	6296LA	JN-MN	470737
62680	VIC	416891	6273946	GMC	722109	62827	VIC	471795	6298216	B-L-H	471231
626800	MICH	416229	6273948	GMC	471271	62833	VIC	415009	6298416	B-L-H	471281
62681	VIC	416891	6273949	GMC	416273	62833	VIC	415960	6298LA	JN-MN	473463
62682	VIC	416891	6273977	GMC	5131	628357	ALLCH	415991	62D48	CYCLO	471413
62683	VIC	416891	62740	VIC	417360	628357	ALLCH	415991N	62E365	CUSH	470625
62684	VIC	416135	62741	VIC	417360	6283576	ALLCH	415991	62E446	CUSH	471571
62685	VIC	416135	62742	VIC	417360	6283576	ALLCH	415991N	62E456	CUSH	471766
62686	VIC	416135	62743	VIC	417360	62836R1	IH	473463	62GT1	TROS	9015S
62687	VIC	416135	62744	VIC	416107	62837R11	IH	473463	62GT2	TROS	9015S
6268SH	JN-MN	340495	62745	VIC	416107	62837R91	IH	473463	62X1048	GARLK	450117
6268SS	JN-MN	343185	62746	VIC	416107	62839	VIC	471413	62X1048	GARLK	472572
62692	VIC	416153	62747	VIC	416107	6283S	TIMKE	6283S	62X1050	GARLK	450117
62693	VIC	416153	62748	VIC	417361	62840	VIC	471652	62X1050	GARLK	472572
62694	VIC	416153	62749	VIC	417361	62841	VIC	471763	62X1057	GARLK	450082
62695	VIC	416153	62750	VIC	417361	62842	VIC	471689	62X1057	GARLK	473238
62696	VIC	416892	62751	VIC	417361	628485	ALLCH	415098N	62X1069	GARLK	473240
62697	VIC	416892	62752	VIC	417362	62851	VIC	473237	62X1075	GARLK	473458
62698	VIC	416892	62753	VIC	417362	62855	VIC	474276	62X111	GARLK	471538
62699	VIC	416892	62754	VIC	417362	62860	VIC	415295	62X1114	GARLK	472319
6270	TIMKE	6270	62755	VIC	417362	62863	VIC	J1825	62X1129	GARLK	472144
62700	VIC	415138	62756	VIC	417363	62864	VIC	3813	62X113	GARLK	471553
62700	VIC	714750	62757	VIC	417363	62868	VIC	470605	62X1135	GARLK	472394
62701	TROS	482041N	62758	VIC	417363	62872	VIC	410987	62X1150	GARLK	450472
62701	VIC	415138	62759	VIC	417363	62872	VIC	470987	62X1162	GARLK	450474
62702	VIC	415138	62760	VIC	416666	628823	ALLCH	410316	62X1186	GARLK	471870
62703	VIC	415138	62761	VIC	416666	628823	ALLCH	472636	62X1186	GARLK	471883
62704	VIC	417247	62761A	VIC	416666	628837	UNIVE	455584	62X1189	GARLK	450389
62705	VIC	417247	62762	VIC	416666	628838	MICH	455584	62X1189	GARLK	472492
62706	VIC	417247	62763	VIC	416666	62885D	IH	417316	62X1191	GARLK	450389
62707	VIC	417247	62764	VIC	417364	62885D	IH	455004	62X1191	GARLK	472492
6270LA	JN-MN	417254	62765	VIC	417364	62885M1	VIC	2628	62X1201	GARLK	470530
6270S	NATL	6270	62766	VIC	417364	62886D	IH	415025	62X1204	GARLK	472397
62712	VIC	416865	62767	VIC	417364	628894	ALLCH	415379	62X1206	GARLK	450301
62713	VIC	416865	62768	VIC	417365	628940	ALLCH	415304	62X1206	GARLK	472397
62713	VIC	455070	62769	VIC	417365	628940	ALLCH	476470	62X1323	GARLK	470898
62714	VIC	416865	62770	VIC	417365	628941	ALLCH	415147	62X1329	GARLK	472015
62714H	IH	473473	62771	VIC	417365	628941	ALLCH	415449	62X1332	GARLK	410308
62715	VIC	416865	62772	VIC	415072	6289LA	JN-MN	415995	62X1332	GARLK	450308
62718	C-P	472560N	62773	VIC	415072	6289LA	JN-MN	455013	62X1340	GARLK	450121
62718	C-P	50151S	62774	VIC	415072	62903SC	VIC	415984	62X1340	GARLK	472409
62720	VIC	417262	62775	VIC	415072	629040	ALLCH	415004	62X1402	GARLK	472018
627209	CHRY	450273	62775TA	TRSCM	417562	629040	ALLCH	417316	62X144	GARLK	471567

INTERCHANGE SECTION

COMPETITIVE INTERCHANGES



Mfr No.	Mfr. National	Mfr No.	Mfr. National	Mfr No.	Mfr. National	Mfr No.	Mfr. National
62X147	GARLK 471643	62X2124	GARLK 455011	62X2922	GARLK 416865	62X535	GARLK 470774
62X1471	GARLK 471341	62X213	GARLK 471267	62X2922	GARLK 455070	62X543	GARLK 471192
62X1473	GARLK 450441	62X215	GARLK 471570	62X2927	GARLK 417541	62X544	GARLK 473214
62X1473	GARLK 471341	62X216	GARLK 471570	62X293	GARLK 471689	62X546	GARLK 470169
62X1476	GARLK 410520	62X2168	GARLK 415281N	62X3059	GARLK 417262	62X546	GARLK 473214
62X1476	GARLK 471272	62X2170	GARLK 415281N	62X3067	GARLK 415645	62X548	GARLK 473215
62X148	GARLK 471643	62X2172	GARLK 417350	62X3067	GARLK 455104	62X55	GARLK 471549
62X1494	GARLK 450316	62X2172	GARLK 455479	62X3184	GARLK 416107	62X550	GARLK 470950
62X1494	GARLK 472636	62X2174	GARLK 415995V	62X3184	GARLK 455073	62X550	GARLK 6241S
62X1504	GARLK 411376	62X2174	GARLK 455995N	62X323	GARLK 471651	62X551	GARLK 470950
62X1504	GARLK 455093	62X2177	GARLK 417351	62X3277	GARLK 417362	62X551	GARLK 6241S
62X1505	GARLK 411376	62X2177	GARLK 455154	62X3278	GARLK 417363	62X552	GARLK 470950
62X1505	GARLK 455093	62X2180	GARLK 415086N	62X3279	GARLK 417363	62X552	GARLK 6241S
62X159	GARLK 481443	62X2180	GARLK 417487	62X3280	GARLK 417363	62X592	GARLK 473224
62X1642	GARLK 470565	62X2183	GARLK 417488	62X3281	GARLK 416666	62X597	GARLK 473016
62X1644	GARLK 470565	62X2186	GARLK 455019	62X3282	GARLK 416666	62X624	GARLK 473439
62X1654	GARLK 413246	62X219	GARLK 471646	62X3283	GARLK 416666	62X643	GARLK 470548
62X1654	GARLK 413246N	62X2198	GARLK 455019	62X3355	GARLK 415683	62X643	GARLK 470625
62X1656	GARLK 413246	62X2225	GARLK 416011	62X3367	GARLK 415072	62X644	GARLK 470548
62X1656	GARLK 413246N	62X2225	GARLK 417621	62X3384	GARLK 415074	62X644	GARLK 470625
62X1658	GARLK 412119	62X2237	GARLK 416297	62X3426	GARLK 415294	62X645	GARLK 470548
62X1658	GARLK 450101	62X224	GARLK 471137	62X3426	GARLK 455294	62X645	GARLK 470625
62X1668	GARLK 416271	62X2270	GARLK 476470	62X351	GARLK 471652	62X646	GARLK 470059
62X1680	GARLK 417480	62X2273	GARLK 417181	62X3518	GARLK 416044	62X646	GARLK 470380
62X1680	GARLK 455860	62X2327	GARLK 417354	62X353	GARLK 470189	62X648	GARLK 470059
62X175	GARLK 450431	62X2348	GARLK 417493	62X353	GARLK 471692	62X648	GARLK 470380
62X175	GARLK 471539	62X2366	GARLK 415991	62X3544	GARLK 415867	62X655	GARLK 450067
62X1750	GARLK 417073	62X2366	GARLK 455146	62X3601	GARLK 417601	62X655	GARLK 473228
62X1752	GARLK 417073	62X2367	GARLK 415991	62X3610	GARLK 417604	62X657	GARLK 450067
62X1807	GARLK 471271	62X2367	GARLK 455146	62X362	GARLK 471785	62X657	GARLK 473228
62X1819	GARLK 415449	62X2369	GARLK 417196	62X3624	GARLK 415090	62X664	GARLK 473440
62X1821	GARLK 415449	62X2372	GARLK 415437	62X3660	GARLK 417605	62X700	GARLK 472213
62X1821	GARLK 455147	62X2393	GARLK 415711	62X3673	GARLK 417198	62X707	GARLK 470064
62X1882	GARLK 413479	62X2417	GARLK 416047	62X37	GARLK 6863S	62X707	GARLK 471821
62X1939	GARLK 415483	62X2417	GARLK 416332	62X38	GARLK 6863S	62X717	GARLK 470682
62X1939	GARLK 455368	62X2421	GARLK 415937	62X383	GARLK 472475	62X760	GARLK 470358
62X1948	GARLK 417343	62X2462	GARLK 415379	62X385	GARLK 473426	62X760	GARLK 473231
62X1993	GARLK 455434	62X2462	GARLK 455379	62X3869	GARLK 472705	62X762	GARLK 470358
62X2004	GARLK 455151	62X2501	GARLK 417211	62X387	GARLK 471765	62X762	GARLK 473231
62X2032	GARLK 480491	62X2504	GARLK 416345	62X388	GARLK 471765	62X769	GARLK 450194
62X2035	GARLK 416664	62X2519	GARLK 415304	62X390	GARLK 471354	62X769	GARLK 473010
62X2035	GARLK 455364	62X2519	GARLK 476470	62X3921	GARLK 417601	62X77	GARLK 471532
62X2038	GARLK 417484N	62X2537	GARLK 415035	62X3938	GARLK 417604	62X772	GARLK 450069
62X2038	GARLK 455322	62X2537	GARLK 415953	62X3949	GARLK 455966	62X772	GARLK 473232
62X2044	GARLK 417316	62X2600	GARLK 417511	62X3954	GARLK 455462	62X774	GARLK 450069
62X2044	GARLK 455004	62X2636	GARLK 417513	62X4062	GARLK 415076	62X774	GARLK 473232
62X2045	GARLK 417316	62X2663	GARLK 416891	62X424	GARLK 471750	62X80	GARLK 473405
62X2045	GARLK 455004	62X270	GARLK 451583	62X425	GARLK 471750	62X829	GARLK 473445
62X2046	GARLK 417316	62X2711	GARLK 416380	62X427	GARLK 471766	62X835	GARLK 450154
62X2046	GARLK 455004	62X2723	GARLK 416149	62X430	GARLK 471787	62X835	GARLK 473234
62X2047	GARLK 415960	62X2753	GARLK 416888	62X439	GARLK 471801	62X837	GARLK 450154
62X2047	GARLK 455009	62X2759	GARLK 416892	62X441	GARLK 471801	62X837	GARLK 473234
62X2048	GARLK 415960	62X2807	GARLK 416158	62X4503	GARLK 55301S	62X843	GARLK 470074
62X2048	GARLK 455009	62X2837	GARLK 415138	62X4507	GARLK 455462	62X843	GARLK 474265
62X2049	GARLK 415960	62X287	GARLK 471224	62X4560	GARLK 415294	62X859	GARLK 471981
62X2049	GARLK 455009	62X288	GARLK 470120	62X4560	GARLK 455294	62X85X810TAYTRSCM	226285
62X2086	GARLK 455005	62X288	GARLK 471224	62X484	GARLK 472826	62X87	GARLK 471466
62X2088	GARLK 455005	62X291	GARLK 471649	62X50	GARLK 471442	62X898	GARLK 470351
62X2115	GARLK 415303	62X2915	GARLK 415725	62X5246	GARLK 470548	62X898	GARLK 471504
62X2124	GARLK 416921	62X2921	GARLK 416865	62X5246	GARLK 470625	62X904	GARLK 450494

INTERCHANGE SECTION

COMPETITIVE INTERCHANGES

Mfr No.	Mfr.	National	Mfr No.	Mfr.	National	Mfr No.	Mfr.	National	Mfr No.	Mfr.	National
62X904	GARLK	472164	63044	VIC	417344	63093J	TRISL	370131A	63167	VIC	340151
62X906	GARLK	450352	63045	VIC	417159	63093J	TRISL	380131A	63169	VIC	343186
62X906	GARLK	472164	63046	VIC	475012N	6309745	HERCU	470027	63170	CHECK	8160S
62X907	GARLK	450070	6305	TMTR	472560N	6309745	HERCU	471554	63170	VIC	240356
62X907	GARLK	472185	6305	TMTR	50151S	6309745A	HERCU	470027	63171	VIC	240435
62X909	GARLK	450070	63050	VIC	471141	6309745A	HERCU	471554	631713R91	IH	417079
62X909	GARLK	472185	630508	STUDE	450066	630999	WILYS	450066	63173	VIC	342517
62X91	GARLK	471255	630508	STUDE	473367	630999	WILYS	473367	63174	VIC	415991
62X913	GARLK	450183	63051	VIC	7208S	6309SS	JN-MN	471354	63177	VIC	417621
62X913	GARLK	472179	63052	VIC	8160S	6310	HYST	415001	63181	VIC	455194
62X928	GARLK	471984	63053	VIC	471829	6310	HYST	455001	63183	MICH	450457
62X9808	GARLK	471689	63053J	TRISL	370036A	63100	VIC	473234	63184	VIC	350567
63	AU-WS	417344	63053J	TRISL	370349A	63101	TROS	8974S	63184	VIC	471267
63	BL-KN	471267	63053J	TRISL	380036A	63102	TROS	8975S	63185	VIC	312518
63	WGEAR	417491	63055	VIC	410520	63102	VIC	340850	631850	CONTI	471766
63006	VIC	240319	63055	VIC	471272	63103	VIC	471766	6318500	HERCU	415437
63008J	TRISL	370054A	630550	STUDE	473438	63104	VIC	343099	6318500A	HERCU	415437
63009J	TRISL	370015A	63057	VIC	472397	63106	VIC	340385	63186	VIC	410308
63010J	TRISL	370013A	63060	VIC	473228	63107	VIC	412119	63187	VIC	6906S
63013	VIC	415013	63060	VIC	51098	63109	VIC	476283N	63189	VIC	474278
63013	VIC	415995	63062	VIC	43095S	6310SH	JN-MN	40286	631919	STUDE	473473
63013J	TRISL	370036A	63062J	TRISL	370047A	631103C1	IH	470567N	63195	VIC	6370N
63013J	TRISL	370349A	63063J	TRISL	370002A	63111	VIC	415016N	63196	VIC	6636S
63013J	TRISL	380036A	63063J	TRISL	370169A	63112	VIC	417316	63198	VIC	417355
63014J	TRISL	370030A	630658	STUDE	473215	63113	VIC	472439	63198	VIC	485497
63016	VIC	416229	63066	VIC	470712	63114	VIC	475380N	63199	VIC	327303
63018	VIC	473210	63067	VIC	6460S	63116	CHECK	340797	631993R91	IH	417079
63018J	TRISL	370009A	630680	FWD	473215	63116	VIC	200600	63201D	IH	416163
63018J	TRISL	380009A	630680	STUDE	473215	6312	TIMKE	6312	63201S	TROS	8477S
6301LA	JN-MN	417496	630680	WILYS	473215	63122	VIC	343185	63202	VIC	7600S
630226	WILYS	41787S	63071	VIC	414045	63123	VIC	312518	63203	VIC	472409
63023J	TRISL	370065A	630724	WILYS	450078	6313046	H-S	450025	6320331A	HERCU	471137
63023J	TRISL	380065A	630724	WILYS	473444	6313046	H-S	471553	632033R91	IH	471831
63025	VIC	7300S	63074	VIC	472015	6313046	HERCU	450025	63203S	TROS	473228
63026J	TRISL	370019A	63076	VIC	410737	6313046	HERCU	471553	63203S	TROS	51098
63028J	TRISL	370007A	63077	VIC	417352	631305R91	IH	417079	63209	VIC	450183
63028J	TRISL	370057A	63077	VIC	418028	63132	VIC	343101	63209	VIC	472179
63030	VIC	473227	63079J	TRISL	370006A	63139	VIC	471443	63213	VIC	343104
63031	VIC	473228	63083J	TRISL	370007A	63139	VIC	481443	63215	VIC	471529
63032	VIC	472164	63084	VIC	470354	63140	VIC	355669	6321593	HERCU	471255
630327	ALLCH	471538	63085	VIC	410316	63142	VIC	340151	6321606A	HERCU	350156
63033	VIC	471141	63085	VIC	472636	63145	VIC	350936	6321606A	HERCU	473096
630334C91	IH	413248	63086	CLARK	471750	63148	VIC	351487	63226	VIC	415001
630335C91	IH	417344	63086	WAUKE	470219	63150	VIC	240733	6323	C-R	41264S
63034	VIC	473179	63086	WAUKE	471649	631550	STUDE	473438	6323	SKF	41264S
63034J	TRISL	370012A	63088J	TRISL	370031A	63156	VIC	343104	63232	VIC	330385
63035	VIC	472394	63088J	TRISL	380031A	63157	VIC	342805	63237	VIC	345035
63036	VIC	470530	63089	VIC	410059	63158	VIC	340847	63240	TROS	484058
63036J	TRISL	370001A	63089	VIC	470380	63159	VIC	343105	63241S	TROS	8597S
63036J	TRISL	380001A	630895C1	IH	456967V	63159	VIC	7399S	63243	VIC	471264
63037	VIC	470898	6309	C-R	471264V	63160	VIC	340849	6324394A	HERCU	470219
63037J	TRISL	370037A	6309	SKF	471264V	63160S	TROS	8430S	6324394A	HERCU	471649
63037J	TRISL	370048A	63090	VIC	350156	63161	VIC	340387	63246	VIC	327215
63037J	TRISL	370182A	63090	VIC	473096	63162	VIC	340826	63246	VIC	415035
63037J	TRISL	370338A	6309007	HERCU	450593	63163	VIC	350954	63247	VIC	410085
63037J	TRISL	380048A	6309007A	HERCU	450593	63163	VIC	470954	63247	VIC	470530
63040	VIC	410101N	630919	STUDE	473473	63165	VIC	240731	6324867A	HERCU	350909
63041	VIC	415449	63091J	TRISL	370023A	63166	VIC	340835	6324867A	HERCU	471224
63042	VIC	415001	63091J	TRISL	380023A	6316675	H-S	481644	63250010	TROS	417541
63043	VIC	475009N	63093J	TRISL	370124A	6316675A	HERCU	481644	63251610	TROS	417547

INTERCHANGE SECTION

COMPETITIVE INTERCHANGES



Mfr No.	Mfr.	National	Mfr No.	Mfr.	National	Mfr No.	Mfr.	National	Mfr No.	Mfr.	National
63252410	TROS	455576	633433R91	IH	471831	634037	ALLCH	455006	63567	AM WH	455075
63253210	TROS	417254	63344	VIC	6815	6340376	ALLCH	417344	63567	VIC	472658
63258	VIC	340724	633444R91	IH	471831	6340376	ALLCH	455006	63567	VIC	473197
63259	VIC	351466	633446R91	IH	472185	63413	VIC	470565	63571	VIC	470605
63259	VIC	471466	633447R91	IH	350414	63415	VIC	415085	63573	WAUKE	481568
6325LA	JN-MN	416865	633447R91	IH	472311	63415	VIC	456648	635778	ALLCH	415013
6325LA	JN-MN	455070	63345	VIC	471195	63419	VIC	6336S	635778	ALLCH	415995
6325LUP	JN-MN	416865	63345	VIC	481195	63420	VIC	415836	6357S	TIMKE	6357S
632608	ALLCH	471413V	63347	VIC	6988H	63420	VIC	415995	6358	TIMKE	6358
63260S	TROS	8429S	63349	VIC	472144	634264C1	IH	473205	63580	VIC	471763
63261S	TROS	8549S	63351	VIC	450389	63427	VIC	416624	63584	VIC	472636
63264	VIC	471538	63351	VIC	472492	63429	VIC	472015	63584C1	IH	471795
6326594A	HERCU	417205	63354	VIC	6879H	63431C1	IH	450048	63588	VIC	470328
63267	VIC	240816	63356	VIC	470308N	63433	VIC	473224	63588	VIC	481213
6326964A	HERCU	471646	63360	VIC	410737	63435	VIC	471829	63592	VIC	415351
6326LA	JN-MN	411253	63361	VIC	450316	63436	VIC	473234	63594	VIC	415697
6326LA	JN-MN	450099	63361	VIC	472636	63448	VIC	472324	636X1510	OLIVE	411253
63270	VIC	351267	63362	VIC	411253	634519	ALLCH	417269	636X1510	OLIVE	450099
63270	VIC	471267	63362	VIC	450099	63456	VIC	342613	636X1512	OLIVE	450400
6327026A	HERCU	471442	633630	ALLCH	450095	63457	VIC	343123	636X1514	OLIVE	450326
63272	VIC	471270	633630	ALLCH	473464	63459	VIC	472397	636X1516	OLIVE	450115
63274	VIC	471354	63364	VIC	411394	634631	SPICE	455322V	636X1516	OLIVE	473467
63278	VIC	470163	63364	VIC	450317	63470	VIC	473231	63601	VIC	7412S
63278	VIC	471766	63365	VIC	475380N	634703	ALLCH	417344	63602S	TROS	472082
6327LA	JN-MN	417196	63366	VIC	410496	63472	VIC	471419	63603	VIC	472705
63281	VIC	6370N	63366A	OSHKO	415234	63472	VIC	473367	6361	FULLE	417191
63282	VIC	473435	63367	VIC	415449	634723R91	IH	472144	6361	FULLE	455165
63284	VIC	471192	63367	VIC	455147	63487	VIC	311189	63612	VIC	472144
63286	VIC	450776	6336LA	JN-MN	472636	63491	VIC	481644	636139	WILYS	41787S
63287	VIC	472658	6336LUP	JN-MN	472636	63499	VIC	470380	63615	VIC	471529
63287	VIC	473197	6336S	TIMKE	6336S	63500	VIC	472397	6362	NATL	440265
63288	VIC	6760S	63372	VIC	417343	63503	VIC	455079	63620	VIC	415836
6328SS	JN-MN	470806	63374	VIC	417350	63503S	TROS	332062	63620	VIC	415995
63290	VIC	3395	63374	VIC	455479	63504	VIC	415088	63621	VIC	472324
63296	VIC	6759S	63377	VIC	456105	63506	VIC	455858	63622	VIC	450161
63298	VIC	470548	63378	VIC	476470	63507	VIC	476842	63622	VIC	471764
63298	VIC	470625	6338	VIC	471255	63517	VIC	340827	63624	VIC	470682
63299	VIC	470059	63380	VIC	455024	63518	VIC	323125	63625	VIC	471138
63299	VIC	470380	63381	VIC	417191	63518	VIC	450456	63625	VIC	472164
6329LA	JN-MN	450030	63382	VIC	415991	63519	VIC	321516	636288	ALLCH	415023
6329LA	JN-MN	474253	63382	VIC	455146	63519	VIC	471516	6362SS	JN-MN	330385
6329S	TIMKE	6329S	63383	VIC	345146	6352	SEAMA	470059	636367	STUDE	5751
63301S	TROS	9178S	63384	VIC	415937	6352	SEAMA	470380	636415R91	IH	352541
63302	VIC	9613S	63386	VIC	415379	63527	VIC	417597	63642	VIC	6460S
63303	VIC	470380	63386	VIC	455379	63535	CHECK	5778	63647	VIC	7840S
63303	VIC	472189A	63387	VIC	415379	63536	VIC	473016	636529	CONTI	471688
63304	VIC	471344	63387	VIC	455379	63541	VIC	472287	636628R91	IH	471529
6330LA	JN-MN	471733	63388	VIC	416339	63543	VIC	470487N	636635B	BENDI	470169
6330LPD	JN-MN	471733	63388	VIC	455031	63544	VIC	474278	636635B	BENDI	473214
63310	VIC	204017	63391	VIC	416345	63546	VIC	473234	636636B	BENDI	471801
63313	VIC	473235	63391	VIC	455033	63550	VIC	470625	636717B	BENDI	450183
63314	VIC	473234	63392	VIC	415035	63550	VIC	5115	636717B	BENDI	472179
63316	VIC	6840S	63392	VIC	455035	63557	AM WH	415001	636859B	BENDI	474255
63319	VIC	470351	63395	VIC	415064	63557	AM WH	455001	6369SS	JN-MN	323138
63325	VIC	323119	63396	VIC	415725	63557	VIC	417316	6370	C-R	240023
63333	VIC	450291	634	CARVR	470163	635571R91	IH	472185	6370	SKF	240023
63333	VIC	471141	634	CARVR	471766	63560S	TROS	480479H	63702S	TROS	6329S
63337	VIC	6781	634005	ALLCH	471765	63561S	TROS	471413	637088	WHITE	415098N
63338	VIC	473450	63401S	TROS	8460N	63565	VIC	470380	6370N	TIMKE	6370N
63342	VIC	353120	634037	ALLCH	417344	63567	AM WH	416476	6371	NATL	450539

INTERCHANGE SECTION

COMPETITIVE INTERCHANGES

Mfr No.	Mfr. National	Mfr No.	Mfr. National	Mfr No.	Mfr. National	Mfr No.	Mfr. National
63712	VIC 471442	63757	AM WH 473444	63RA2S	TROS 8549S	63X112	GARLK 471538
6372	C-R 471255	637705	STUDE 416738	63S7S	TROS 480479H	63X1120	GARLK 473241
6372	SKF 471255	637705	STUDE 450096	63W1S	TROS 8430S	63X1122	GARLK 473241
6373	C-R 471255	637716	STUDE 450307	63X0005	GARLK 350364	63X1129	GARLK 472144
6373	SKF 471255	6379	C-R 471255V	63X0101	GARLK 481073	63X113	GARLK 471553
63733	C-R 417563	6379	SKF 471255V	63X0102	GARLK 481073	63X1130	GARLK 472144
63733	SKF 417563	63793C91	IH 470088	63X0105	GARLK 481397	63X1131	GARLK 472144
63734	C-R 417563	6380	VIC 471255	63X0106	GARLK 481397	63X1132	GARLK 473460
63734	SKF 417563	6380S	TIMKE 6380	63X0335	GARLK 473420	63X1134	GARLK 473460
63735	VIC 415035	638137	CONTI 481568	63X0541	GARLK 471192	63X1135	GARLK 472394
63738	VIC 417357	638175	OPEL 716484	63X0547	GARLK 473215	63X1137	GARLK 472394
63740C1	IH 473426	638185	OPEL 224520	63X0643	GARLK 470548	63X1138	GARLK 473461
637462C1	IH 410708	638186	BEDFO 224520	63X1006	GARLK 473451	63X1139	GARLK 473461
637467B	BENDI 473236	638187	OPEL 224520	63X1012	GARLK 473452	63X114	GARLK 450025
637470	BENDI 471570	638187	VAUXH 224520	63X1021	GARLK 473453	63X114	GARLK 471553
637471	BENDI 470045	638193	OPEL 224520	63X1023	GARLK 473453	63X1141	GARLK 471391
637471	BENDI 476838	638197	OPEL 224200	63X1042	GARLK 472439	63X1142	GARLK 471391
637473	BENDI 471750	638199	OPEL 224200	63X1043	GARLK 472439	63X1143	GARLK 471391
637474B	BENDI 473212	6381LA	JN-MN 415394	63X1044	GARLK 472439	63X1147	GARLK 450094
637475	BENDI 473215	638269	OPEL 716484	63X1045	GARLK 471868	63X1147	GARLK 473462
637476	BENDI 470059	6383	C-R 471255V	63X1047	GARLK 471868	63X1148	GARLK 450094
637476	BENDI 470380	6383	SKF 471255V	63X1048	GARLK 450117	63X1148	GARLK 473462
637477	BENDI 450067	638336	ALLCH 473473	63X1048	GARLK 472572	63X1149	GARLK 450094
637477	BENDI 473228	63854	AM HO 417546	63X1050	GARLK 450117	63X1149	GARLK 473462
637480	BENDI 450070	63854	MINMA 417546	63X1050	GARLK 472572	63X115	GARLK 471579
637480	BENDI 472185	638573F1	GARLK 415001	63X1051	GARLK 473179	63X1150	GARLK 450472
637481	BENDI 450076	638573F1	GARLK 455001	63X1052	GARLK 473179	63X1153	GARLK 473241
637481	BENDI 470334	638586	WILYS 450415	63X1053	GARLK 473179	63X1154	GARLK 473241
637482	BENDI 470088	6385R	JN-MN 417780	63X1054	GARLK 414045	63X116	GARLK 471579
637483	BENDI 450094	6386	C-R 471564	63X1057	GARLK 450082	63X1162	GARLK 450474
637483	BENDI 473462	6386	SKF 471564	63X1057	GARLK 473238	63X1165	GARLK 50528
637484	BENDI 450085	638607	ALLCH 415458	63X1058	GARLK 450082	63X1166	GARLK 50528
637484	BENDI 470530	638607	ALLCH 455003	63X1058	GARLK 473238	63X1167	GARLK 50528
637485	BENDI 413469	63876PM	VIC 415027	63X1059	GARLK 473238	63X1171	GARLK 473461
637486	BENDI 411253	6388SS	JN-MN 472705	63X1060	GARLK 450084	63X1174	GARLK 471391
637486	BENDI 450099	639095	WILYS 340413	63X1062	GARLK 450084	63X1180	GARLK 450094
637487	BENDI 415001	63910	EATON 475003N	63X1063	GARLK 450298	63X1180	GARLK 473462
637487	BENDI 455001	639265	WILYS 5778	63X1063	GARLK 473239	63X1186	GARLK 471870
637488	BENDI 417316	63941	EATON 415259	63X1065	GARLK 450298	63X1186	GARLK 471883
637488	BENDI 455004	639433	STUDE 8160S	63X1065	GARLK 473239	63X1187	GARLK 471870
637489	BENDI 415960	639433	WILYS 8160S	63X1066	GARLK 473457	63X1187	GARLK 471883
637489	BENDI 455009	639508	STUDE 450083	63X1069	GARLK 473240	63X1188	GARLK 471870
637490	BENDI 416921	639508	STUDE 472924	63X1071	GARLK 473240	63X1188	GARLK 471883
637490	BENDI 455011	63954	VIC 475380N	63X1075	GARLK 473458	63X1189	GARLK 450389
637491	BENDI 415995	63961	TROS 472951	63X1076	GARLK 473458	63X1189	GARLK 472492
637491	BENDI 455013	63961	TROS 474252	63X1078	GARLK 472439	63X119	GARLK 471642
637492	BENDI 415021	639635	CLARK 40316S	63X1081	GARLK 471868	63X1190	GARLK 450389
637493	BENDI 415023	639837	CHRYS 474278	63X1084	GARLK 450117	63X1190	GARLK 472492
637494	BENDI 415027	639837	CHRYS 480356	63X1084	GARLK 472572	63X1191	GARLK 450389
637494	BENDI 455027	63986	AM WH 450291	63X109	GARLK 471529	63X1191	GARLK 472492
637495	BENDI 416339	63986	AM WH 471141	63X1090	GARLK 414045	63X1198	GARLK 472924
637495	BENDI 455031	63C12S	TROS 8597S	63X110	GARLK 471529	63X1199	GARLK 472924
637496	BENDI 415045	63CDP2	TROS 484058	63X1105	GARLK 473240	63X1200	GARLK 450083
637497	BENDI 415284	63GB2S	TROS 473228	63X111	GARLK 471538	63X1200	GARLK 472924
637498	BENDI 417273	63GB2S	TROS 51098	63X1114	GARLK 472319	63X1201	GARLK 470530
637499	BENDI 416107	63GC4S	TROS 8460N	63X1116	GARLK 472319	63X1203	GARLK 470530
637499	BENDI 455073	63GO8S	TROS 472082	63X1117	GARLK 471869	63X1204	GARLK 450301
637500	BENDI 450039	63GP8S	TROS 332062	63X1117	GARLK 473459	63X1204	GARLK 472397
63753	WAUKE 471567	63GT2	TROS 9015S	63X1119	GARLK 471869	63X1205	GARLK 450301
63757	AM WH 450078	63R2S	TROS 8429S	63X1119	GARLK 473459	63X1205	GARLK 472397

INTERCHANGE SECTION

COMPETITIVE INTERCHANGES



Mfr No.	Mfr. National	Mfr No.	Mfr. National	Mfr No.	Mfr. National	Mfr No.	Mfr. National
63X1206	GARLK 450301	63X1330	GARLK 450308	63X1432	GARLK 416268	63X1522	GARLK 450737
63X1206	GARLK 472397	63X1331	GARLK 410308	63X1434	GARLK 416268	63X1528	GARLK 470645
63X1207	GARLK 473463	63X1331	GARLK 450308	63X1435	GARLK 472234	63X153	GARLK 470390
63X1209	GARLK 473463	63X1332	GARLK 410308	63X1438	GARLK 472018	63X1531	GARLK 411253
63X121	GARLK 470506	63X1332	GARLK 450308	63X144	GARLK 471567	63X1531	GARLK 450099
63X1210	GARLK 473242	63X1333	GARLK 410312N	63X1441	GARLK 473471	63X1534	GARLK 412920
63X1212	GARLK 473242	63X1334	GARLK 410312N	63X1444	GARLK 472020	63X1534	GARLK 450132
63X1216	GARLK 450095	63X1335	GARLK 410312N	63X145	GARLK 471498	63X1537	GARLK 455136
63X1216	GARLK 473464	63X1339	GARLK 450121	63X1450	GARLK 470354	63X1540	GARLK 411376
63X1217	GARLK 450095	63X1339	GARLK 472409	63X146	GARLK 471498	63X1540	GARLK 455093
63X1217	GARLK 473464	63X1341	GARLK 450121	63X147	GARLK 471643	63X1546	GARLK 415234
63X1218	GARLK 450095	63X1341	GARLK 472409	63X1471	GARLK 471341	63X1549	GARLK 415259
63X1218	GARLK 473464	63X1345	GARLK 473243	63X1473	GARLK 450441	63X155	GARLK 473407
63X1222	GARLK 450083	63X1346	GARLK 473243	63X1473	GARLK 471341	63X156	GARLK 473407
63X1222	GARLK 472924	63X1347	GARLK 473243	63X1474	GARLK 410520	63X1561	GARLK 472150
63X1225	GARLK 470530	63X1348	GARLK 413469	63X1474	GARLK 471272	63X1563	GARLK 472150
63X1228	GARLK 450301	63X1349	GARLK 413469	63X1475	GARLK 410520	63X157	GARLK 470601
63X1228	GARLK 472397	63X1350	GARLK 413469	63X1475	GARLK 471272	63X1573	GARLK 411394
63X1231	GARLK 473463	63X1357	GARLK 416267	63X1476	GARLK 410520	63X1573	GARLK 450317
63X1240	GARLK 450095	63X1359	GARLK 416267	63X1476	GARLK 471272	63X1575	GARLK 411394
63X1240	GARLK 473464	63X1363	GARLK 450115	63X1477	GARLK 473473	63X1575	GARLK 450317
63X1246	GARLK 412027	63X1363	GARLK 473467	63X1479	GARLK 473473	63X1576	GARLK 410694
63X1252	GARLK 451948	63X1365	GARLK 450115	63X1480	GARLK 471138	63X1578	GARLK 410694
63X1253	GARLK 451948	63X1365	GARLK 473467	63X1481	GARLK 471138	63X1579	GARLK 450133
63X1254	GARLK 451948	63X1369	GARLK 410308	63X1482	GARLK 471138	63X158	GARLK 470601
63X1255	GARLK 473466	63X1369	GARLK 450308	63X1486	GARLK 410737	63X1581	GARLK 450133
63X1258	GARLK 472012	63X1372	GARLK 410312N	63X1486	GARLK 450737	63X1585	GARLK 416444
63X1260	GARLK 472012	63X1378	GARLK 450621	63X149	GARLK 471684	63X1587	GARLK 416444
63X1261	GARLK 450307	63X1384	GARLK 450869	63X149	GARLK 471698	63X159	GARLK 481443
63X1263	GARLK 450307	63X1385	GARLK 450869	63X1492	GARLK 472636	63X1594	GARLK 455321
63X1264	GARLK 450311	63X1396	GARLK 416267	63X1493	GARLK 472636	63X1596	GARLK 455321
63X1266	GARLK 450311	63X1398	GARLK 416267	63X1494	GARLK 450316	63X16	GARLK 350156
63X1270	GARLK 416738	63X1399	GARLK 450489	63X1494	GARLK 472636	63X16	GARLK 473096
63X1270	GARLK 450096	63X1399	GARLK 473244	63X1495	GARLK 411253	63X160	GARLK 481443
63X1276	GARLK 450313	63X14	GARLK 330385	63X1495	GARLK 450099	63X1600	GARLK 472150
63X1278	GARLK 450313	63X1400	GARLK 450489	63X1496	GARLK 411253	63X1602	GARLK 472150
63X1282	GARLK 451948	63X1400	GARLK 473244	63X1496	GARLK 450099	63X161	GARLK 481568
63X1285	GARLK 473466	63X1401	GARLK 450489	63X1497	GARLK 411253	63X1612	GARLK 411394
63X1288	GARLK 472012	63X1401	GARLK 473244	63X1497	GARLK 450099	63X1612	GARLK 450317
63X1291	GARLK 450307	63X1402	GARLK 472018	63X1498	GARLK 412920	63X162	GARLK 481443
63X1294	GARLK 450311	63X1403	GARLK 472018	63X1498	GARLK 450132	63X1633	GARLK 455321
63X13	GARLK 330385	63X1404	GARLK 472018	63X1499	GARLK 412920	63X1639	GARLK 473474
63X1300	GARLK 416738	63X1405	GARLK 473471	63X1499	GARLK 450132	63X1641	GARLK 473474
63X1300	GARLK 450096	63X1406	GARLK 473471	63X15	GARLK 350156	63X1642	GARLK 470565
63X1306	GARLK 450313	63X1407	GARLK 473471	63X15	GARLK 473096	63X1644	GARLK 470565
63X1312	GARLK 450343	63X1408	GARLK 472020	63X150	GARLK 471684	63X1648	GARLK 473475
63X1321	GARLK 450867	63X1410	GARLK 472020	63X150	GARLK 471698	63X165	GARLK 481644
63X1321	GARLK 470898	63X1414	GARLK 470354	63X1500	GARLK 412920	63X1650	GARLK 473475
63X1322	GARLK 450867	63X1415	GARLK 470354	63X1500	GARLK 450132	63X1654	GARLK 413246
63X1322	GARLK 470898	63X1416	GARLK 470354	63X1501	GARLK 455136	63X1654	GARLK 413246N
63X1323	GARLK 450365	63X142	GARLK 470027	63X1504	GARLK 411376	63X1655	GARLK 413246
63X1323	GARLK 470898	63X142	GARLK 471554	63X1504	GARLK 455093	63X1655	GARLK 413246N
63X1324	GARLK 450115	63X1420	GARLK 473245	63X1505	GARLK 411376	63X1656	GARLK 413246
63X1324	GARLK 473467	63X1422	GARLK 470351	63X1505	GARLK 455093	63X1656	GARLK 413246N
63X1326	GARLK 450115	63X1422	GARLK 471504	63X1506	GARLK 411376	63X1657	GARLK 412119
63X1326	GARLK 473467	63X1423	GARLK 412943	63X1506	GARLK 455093	63X1657	GARLK 450101
63X1327	GARLK 472015	63X1425	GARLK 412943	63X1507	GARLK 472299	63X1658	GARLK 412119
63X1328	GARLK 472015	63X1426	GARLK 413472	63X1510	GARLK 410520	63X1658	GARLK 450101
63X1329	GARLK 472015	63X1428	GARLK 413472	63X1510	GARLK 471272	63X1659	GARLK 412119
63X1330	GARLK 410308	63X143	GARLK 471567	63X1522	GARLK 410737	63X1659	GARLK 450101

INTERCHANGE SECTION

COMPETITIVE INTERCHANGES

Mfr No.	Mfr.	National	Mfr No.	Mfr.	National	Mfr No.	Mfr.	National	Mfr No.	Mfr.	National
63X166	GARLK	481644	63X178	GARLK	471231	63X1887	GARLK	415302	63X2004	GARLK	455151
63X1660	GARLK	413247	63X1780	GARLK	450104	63X1888	GARLK	455311	63X2005	GARLK	455008
63X1660	GARLK	450350	63X1783	GARLK	411245	63X189	GARLK	471729	63X2006	GARLK	455008
63X1661	GARLK	413247	63X1783	GARLK	455096	63X1890	GARLK	455311	63X2007	GARLK	455008
63X1661	GARLK	450350	63X179	GARLK	450030	63X1891	GARLK	415988	63X2014	GARLK	455434
63X1662	GARLK	413247	63X179	GARLK	474253	63X1892	GARLK	415988	63X2023	GARLK	455151
63X1662	GARLK	450350	63X18	GARLK	471103	63X1893	GARLK	415988	63X2025	GARLK	455151
63X1663	GARLK	410987	63X18	GARLK	50197S	63X1894	GARLK	417481	63X2026	GARLK	455008
63X1663	GARLK	450103	63X180	GARLK	450030	63X1896	GARLK	417481	63X2028	GARLK	455008
63X1666	GARLK	416271	63X180	GARLK	474253	63X1897	GARLK	455280	63X203	GARLK	473415
63X1668	GARLK	416271	63X1801	GARLK	472029	63X1899	GARLK	455280	63X2032	GARLK	480491
63X1669	GARLK	412861	63X1802	GARLK	472029	63X1909	GARLK	411330N	63X2034	GARLK	480491
63X167	GARLK	471337	63X1803	GARLK	472029	63X1912	GARLK	415302	63X2035	GARLK	416664
63X1671	GARLK	412861	63X1804	GARLK	410752	63X1915	GARLK	455311	63X2035	GARLK	455364
63X1672	GARLK	410825	63X1806	GARLK	410752	63X1918	GARLK	415988	63X2036	GARLK	416664
63X1675	GARLK	416071	63X1807	GARLK	471271	63X1921	GARLK	417481	63X2036	GARLK	455364
63X1677	GARLK	416071	63X1808	GARLK	471271	63X1924	GARLK	455280	63X2037	GARLK	416664
63X1678	GARLK	417480	63X1809	GARLK	450519	63X1926	GARLK	455280	63X2037	GARLK	455364
63X1678	GARLK	455860	63X1809	GARLK	471271	63X1927	GARLK	412871	63X2038	GARLK	417484N
63X1679	GARLK	417480	63X181	GARLK	450588	63X1927	GARLK	450329	63X2038	GARLK	455322
63X1679	GARLK	455860	63X1810	GARLK	410496	63X193	GARLK	472452	63X2039	GARLK	417484N
63X1680	GARLK	417480	63X1812	GARLK	410496	63X1930	GARLK	412871	63X2039	GARLK	455322
63X1680	GARLK	455860	63X1813	GARLK	470605	63X1930	GARLK	450329	63X204	GARLK	473415
63X1687	GARLK	473475	63X1815	GARLK	470605	63X1932	GARLK	412871	63X2040	GARLK	417484N
63X169	GARLK	474273	63X1819	GARLK	415449	63X1932	GARLK	450329	63X2040	GARLK	455322
63X1693	GARLK	413246	63X1820	GARLK	415449	63X1933	GARLK	413248	63X2041	GARLK	415984
63X1693	GARLK	413246N	63X1821	GARLK	415449	63X1935	GARLK	413248	63X2043	GARLK	415984
63X1696	GARLK	412119	63X1821	GARLK	455147	63X1936	GARLK	450412	63X2044	GARLK	417316
63X1696	GARLK	450101	63X1822	GARLK	415001	63X1939	GARLK	415483	63X2044	GARLK	455004
63X1699	GARLK	413247	63X1822	GARLK	455001	63X1939	GARLK	455368	63X2045	GARLK	417316
63X1699	GARLK	450350	63X1823	GARLK	415001	63X1941	GARLK	415483	63X2045	GARLK	455004
63X17	GARLK	471103	63X1823	GARLK	455001	63X1941	GARLK	455368	63X2046	GARLK	417316
63X17	GARLK	50197S	63X1824	GARLK	415001	63X1945	GARLK	415458	63X2046	GARLK	455004
63X1705	GARLK	416271	63X1824	GARLK	455001	63X1945	GARLK	455003	63X2047	GARLK	415960
63X1714	GARLK	416071	63X1825	GARLK	416273	63X1946	GARLK	415458	63X2047	GARLK	455009
63X1723	GARLK	471887	63X1826	GARLK	416273	63X1946	GARLK	455003	63X2048	GARLK	415960
63X1725	GARLK	471887	63X1827	GARLK	416273	63X1947	GARLK	415458	63X2048	GARLK	455009
63X1735	GARLK	412040	63X1828	GARLK	455079	63X1947	GARLK	455003	63X2049	GARLK	415960
63X1737	GARLK	412040	63X183	GARLK	471645	63X1948	GARLK	417343	63X2049	GARLK	455009
63X1738	GARLK	411500	63X1830	GARLK	455079	63X195	GARLK	473414	63X2050	GARLK	416706
63X1740	GARLK	411500	63X1831	GARLK	415082	63X1950	GARLK	417343	63X2050	GARLK	455272
63X1741	GARLK	413478	63X1834	GARLK	455655	63X1951	GARLK	415007	63X2052	GARLK	416706
63X1742	GARLK	413478	63X1836	GARLK	455655	63X1952	GARLK	415007	63X2052	GARLK	455272
63X1743	GARLK	413478	63X1840	GARLK	450519	63X1954	GARLK	417082	63X2059	GARLK	417484N
63X1744	GARLK	450104	63X1840	GARLK	471271	63X1955	GARLK	417082	63X2059	GARLK	455322
63X1745	GARLK	450104	63X1841	GARLK	450519	63X1956	GARLK	417082	63X2062	GARLK	415984
63X1746	GARLK	450104	63X1841	GARLK	471271	63X1960	GARLK	413248	63X2065	GARLK	417316
63X1747	GARLK	411245	63X185	GARLK	471686	63X1966	GARLK	415483	63X2065	GARLK	455004
63X1747	GARLK	455096	63X1852	GARLK	415449	63X1966	GARLK	455368	63X2067	GARLK	417316
63X1749	GARLK	411245	63X1852	GARLK	455147	63X1972	GARLK	415458	63X2067	GARLK	455004
63X1749	GARLK	455096	63X1855	GARLK	415001	63X1972	GARLK	455003	63X2068	GARLK	415960
63X175	GARLK	450431	63X1855	GARLK	455001	63X1975	GARLK	417343	63X2068	GARLK	455009
63X175	GARLK	471539	63X1857	GARLK	415001	63X1978	GARLK	415007	63X2086	GARLK	455005
63X1750	GARLK	417073	63X1857	GARLK	455001	63X1981	GARLK	417082	63X2088	GARLK	455005
63X1751	GARLK	417073	63X1858	GARLK	416273	63X1987	GARLK	415302	63X2089	GARLK	417485
63X1752	GARLK	417073	63X1861	GARLK	455079	63X199	GARLK	473414	63X2090	GARLK	417485
63X176	GARLK	450431	63X187	GARLK	473412	63X1993	GARLK	455434	63X2091	GARLK	417485
63X176	GARLK	471539	63X1882	GARLK	413479	63X1994	GARLK	455434	63X2092	GARLK	475384
63X177	GARLK	471231	63X1885	GARLK	415302	63X2002	GARLK	455151	63X2093	GARLK	475384
63X1771	GARLK	412040	63X1886	GARLK	415302	63X2003	GARLK	455151	63X2094	GARLK	475384

INTERCHANGE SECTION

COMPETITIVE INTERCHANGES



Mfr No.	Mfr. National	Mfr No.	Mfr. National	Mfr No.	Mfr. National	Mfr No.	Mfr. National
63X2101	GARLK 455005	63X2174	GARLK 415995	63X291	GARLK 471649	63X363	GARLK 471736
63X2103	GARLK 455005	63X2174	GARLK 455013	63X292	GARLK 470219	63X365	GARLK 473428
63X2104	GARLK 417485	63X2175	GARLK 415995	63X292	GARLK 471649	63X367	GARLK 450161
63X2115	GARLK 415303	63X2175	GARLK 455013	63X293	GARLK 471689	63X367	GARLK 471764
63X2117	GARLK 415303	63X2176	GARLK 415995	63X294	GARLK 471689	63X369	GARLK 473427
63X2118	GARLK 417344	63X2176	GARLK 455013	63X295	GARLK 450593	63X37	GARLK 6863S
63X2118	GARLK 455006	63X218	GARLK 471633	63X296	GARLK 450593	63X370	GARLK 473427
63X2120	GARLK 417344	63X2189	GARLK 55548	63X297	GARLK 471733	63X374	GARLK 450362
63X2120	GARLK 455006	63X219	GARLK 471646	63X298	GARLK 471733	63X38	GARLK 6863S
63X2121	GARLK 417158	63X2190	GARLK 55548	63X299	GARLK 471744	63X383	GARLK 472475
63X2121	GARLK 455355	63X2191	GARLK 55548	63X2994	GARLK 417258	63X384	GARLK 472475
63X2122	GARLK 417158	63X2196	GARLK 455820	63X2995	GARLK 417258	63X385	GARLK 473426
63X2122	GARLK 455355	63X2197	GARLK 455820	63X300	GARLK 471744	63X386	GARLK 473426
63X2123	GARLK 417158	63X220	GARLK 471646	63X301	GARLK 471760	63X3863	GARLK 350435
63X2123	GARLK 455355	63X221	GARLK 470590	63X302	GARLK 471760	63X3869	GARLK 472705
63X2124	GARLK 416921	63X222	GARLK 470590	63X303	GARLK 453165	63X387	GARLK 471765
63X2124	GARLK 455011	63X2223	GARLK 455020	63X303	GARLK 471619	63X3871	GARLK 450342
63X2125	GARLK 416921	63X2224	GARLK 455020	63X304	GARLK 453165	63X3872	GARLK 471747
63X2125	GARLK 455011	63X2225	GARLK 416011	63X304	GARLK 471619	63X3872	GARLK 472674
63X2126	GARLK 416921	63X2225	GARLK 417621	63X305	GARLK 471076	63X3873	GARLK 471747
63X2126	GARLK 455011	63X223	GARLK 471137	63X306	GARLK 471076	63X3873	GARLK 472674
63X2127	GARLK 417134	63X224	GARLK 471137	63X307	GARLK 481650	63X3874	GARLK 471747
63X2128	GARLK 417134	63X225	GARLK 471730	63X308	GARLK 481650	63X3874	GARLK 472674
63X213	GARLK 471267	63X226	GARLK 471730	63X323	GARLK 471651	63X3876	GARLK 473425
63X2132	GARLK 417344	63X229	GARLK 470645	63X324	GARLK 471651	63X3879	GARLK 472536
63X2132	GARLK 455006	63X241	GARLK 450038	63X325	GARLK 471705	63X388	GARLK 471765
63X2135	GARLK 416404	63X2436	GARLK 415832	63X326	GARLK 471705	63X3880	GARLK 471344
63X2138	GARLK 416921	63X2437	GARLK 415832	63X327	GARLK 450043	63X3883	GARLK 473442
63X2138	GARLK 455011	63X251	GARLK 471571	63X327	GARLK 473419	63X3885	GARLK 470088
63X214	GARLK 471267	63X2510	GARLK 417366	63X328	GARLK 450043	63X3887	GARLK 471841
63X2146	GARLK 416956	63X2513	GARLK 415958	63X328	GARLK 473419	63X3889	GARLK 450965
63X2147	GARLK 416956	63X2513	GARLK 455958	63X329	GARLK 471735	63X389	GARLK 471354
63X2148	GARLK 416956	63X252	GARLK 471571	63X330	GARLK 471735	63X39	GARLK 474277
63X2149	GARLK 417159	63X255	GARLK 471647	63X331	GARLK 450342	63X390	GARLK 471354
63X215	GARLK 471570	63X256	GARLK 471647	63X333	GARLK 471762	63X3902	GARLK 455080
63X2150	GARLK 417159	63X257	GARLK 472951	63X334	GARLK 471762	63X3904	GARLK 472234
63X2151	GARLK 417159	63X257	GARLK 474252	63X335	GARLK 473420	63X394	GARLK 473205
63X2152	GARLK 416654	63X258	GARLK 472951	63X336	GARLK 473420	63X3949	GARLK 455966
63X2152	GARLK 455012	63X258	GARLK 474252	63X341	GARLK 450044	63X397	GARLK 474255
63X2153	GARLK 416654	63X259	GARLK 450039	63X347	GARLK 450159	63X398	GARLK 474255
63X2153	GARLK 455012	63X260	GARLK 450039	63X35	GARLK 472810	63X399	GARLK 474255
63X2154	GARLK 416654	63X269	GARLK 451583	63X351	GARLK 471652	63X40	GARLK 474277
63X2154	GARLK 455012	63X270	GARLK 451583	63X352	GARLK 471652	63X403	GARLK 450048
63X2155	GARLK 417486	63X2706	GARLK 417238	63X353	GARLK 470189	63X405	GARLK 450173
63X2157	GARLK 416956	63X2707	GARLK 417238	63X353	GARLK 471692	63X424	GARLK 471750
63X216	GARLK 471570	63X271	GARLK 450545	63X354	GARLK 470189	63X425	GARLK 471750
63X2160	GARLK 417159	63X273	GARLK 471648	63X354	GARLK 471692	63X426	GARLK 471750
63X2163	GARLK 416654	63X274	GARLK 471648	63X3547	GARLK 415482	63X427	GARLK 471766
63X2163	GARLK 455012	63X275	GARLK 471688	63X355	GARLK 470045	63X428	GARLK 470163
63X2166	GARLK 417486	63X276	GARLK 471688	63X355	GARLK 476838	63X428	GARLK 471766
63X2168	GARLK 415281N	63X277	GARLK 450040	63X3552	GARLK 415551	63X43	GARLK 320457
63X2169	GARLK 415281N	63X278	GARLK 450040	63X356	GARLK 470045	63X430	GARLK 471787
63X217	GARLK 471633	63X279	GARLK 451082	63X356	GARLK 476838	63X431	GARLK 471787
63X2170	GARLK 415281N	63X285	GARLK 450339	63X357	GARLK 470712	63X433	GARLK 450177
63X2171	GARLK 417350	63X286	GARLK 450339	63X358	GARLK 470712	63X436	GARLK 471795
63X2171	GARLK 455479	63X287	GARLK 471224	63X359	GARLK 471763	63X437	GARLK 471795
63X2172	GARLK 417350	63X288	GARLK 470120	63X36	GARLK 472810	63X438	GARLK 471795
63X2172	GARLK 455479	63X288	GARLK 471224	63X360	GARLK 471763	63X439	GARLK 471801
63X2173	GARLK 417350	63X289	GARLK 473380	63X361	GARLK 471785	63X44	GARLK 320457
63X2173	GARLK 455479	63X290	GARLK 473380	63X362	GARLK 471785	63X440	GARLK 471801

INTERCHANGE SECTION

COMPETITIVE INTERCHANGES

Mfr No.	Mfr.	National	Mfr No.	Mfr.	National	Mfr No.	Mfr.	National	Mfr No.	Mfr.	National
63X441	GARLK	471801	63X4686	GARLK	417344	63X4825	GARLK	417254	63X4958	GARLK	411394
63X442	GARLK	471808	63X4686	GARLK	455006	63X4828	GARLK	416865	63X4958	GARLK	450317
63X443	GARLK	471808	63X4688	GARLK	415645	63X4832	GARLK	415303	63X4959	GARLK	416268
63X444	GARLK	471808	63X4688	GARLK	455104	63X4836	GARLK	417247	63X496	GARLK	473213
63X445	GARLK	471818	63X4691	GARLK	473475	63X4837	GARLK	415196	63X4966	GARLK	417247
63X446	GARLK	471818	63X4693	GARLK	472144	63X4838	GARLK	413469	63X4967	GARLK	417549
63X447	GARLK	471818	63X4695	GARLK	416229	63X4838F1	GARLK	413469	63X4968	GARLK	416144
63X448	GARLK	470050	63X4704	GARLK	471785	63X484	GARLK	472826	63X497	GARLK	473213
63X4483	GARLK	415442	63X4710	GARLK	455026	63X4842	GARLK	471472	63X4976	GARLK	472843
63X4484	GARLK	455396	63X4712	GARLK	456105	63X4844	GARLK	415001	63X498	GARLK	473213
63X45	GARLK	470004	63X4717	GARLK	455019	63X4844	GARLK	455001	63X4982	GARLK	417547
63X451	GARLK	473424	63X4718	GARLK	473212	63X4847	GARLK	450431	63X4987	GARLK	415458
63X4560	GARLK	415294	63X4720	GARLK	416107	63X4847	GARLK	471539	63X4987	GARLK	455003
63X4560	GARLK	455294	63X4720	GARLK	455073	63X485	GARLK	472826	63X4988	GARLK	470403
63X4579	GARLK	470088	63X4723	GARLK	417134	63X4854	GARLK	415035	63X4988	GARLK	470774
63X4580	GARLK	415023	63X4727	GARLK	416865	63X4854	GARLK	415953	63X4991	GARLK	455480
63X4584	GARLK	472658	63X4729	GARLK	457874	63X4855	GARLK	481537	63X4992	GARLK	473237
63X4584	GARLK	473197	63X4732	GARLK	417196	63X4861	GARLK	473226	63X4998	GARLK	417486
63X4586	GARLK	471570	63X4734	GARLK	415082	63X4862	GARLK	471870	63X5	GARLK	350364
63X4589	GARLK	450400	63X4735	GARLK	411376	63X4862	GARLK	471883	63X50	GARLK	471442
63X4590	GARLK	450352	63X4735	GARLK	455093	63X4865	GARLK	417254	63X5002	GARLK	415683
63X4590	GARLK	472164	63X4735F1	GARLK	411376	63X487	GARLK	473421	63X5005	GARLK	450183
63X4592	GARLK	450365	63X4736	GARLK	55028	63X4871	GARLK	470954	63X5005	GARLK	472179
63X4592	GARLK	470898	63X4738	GARLK	416011	63X4872	GARLK	417597	63X5007	GARLK	472287
63X4593	GARLK	411330N	63X4738	GARLK	417621	63X4873	GARLK	416888	63X5008	GARLK	415437
63X46	GARLK	470004	63X4740	GARLK	414045	63X4873	GARLK	455200	63X5008	GARLK	455173
63X4600	GARLK	472432	63X4745	GARLK	415991	63X4876	GARLK	455406	63X5025	GARLK	416288
63X4600	GARLK	474256	63X4745	GARLK	455146	63X4878	GARLK	417602	63X5028	GARLK	455476
63X4603	GARLK	471231	63X4752	GARLK	417512	63X4882	GARLK	417262	63X5030	GARLK	415023
63X4605	GARLK	470027	63X4754	GARLK	470027	63X4882	GARLK	455448	63X5031	GARLK	415072
63X4605	GARLK	471554	63X4754	GARLK	471554	63X4883	GARLK	417269	63X5041	GARLK	471538
63X4610	GARLK	415871	63X4766	GARLK	450069	63X4891	GARLK	471862	63X5041F1	GARLK	471538
63X4640	GARLK	415991	63X4766	GARLK	473232	63X4897	GARLK	415025	63X5043	GARLK	415371
63X4640	GARLK	455146	63X4766R1	GARLK	473232	63X4899	GARLK	455536	63X5049	GARLK	415034
63X4645	GARLK	450143	63X4768	GARLK	415482	63X49	GARLK	471442	63X5049	GARLK	455034
63X4646	GARLK	412119	63X4771	GARLK	416892	63X490	GARLK	473211	63X505	GARLK	481834
63X4646	GARLK	450101	63X4772	GARLK	416345	63X4900	GARLK	471391	63X5050	GARLK	350364
63X4651	GARLK	415035	63X4772	GARLK	455033	63X4902	GARLK	417269	63X5051	GARLK	417539
63X4651	GARLK	455035	63X4774	GARLK	55078S	63X4904	GARLK	416556	63X5053	GARLK	473242
63X4652	GARLK	416239	63X4775	GARLK	417526	63X4904	GARLK	472157	63X5059	GARLK	417351
63X4654	GARLK	417172	63X4780	GARLK	416892	63X4908F1	GARLK	471529	63X5059	GARLK	455154
63X4659	GARLK	450489	63X4781	GARLK	471549	63X491	GARLK	473211	63X5060	GARLK	455336
63X4659	GARLK	473244	63X4783	GARLK	417541	63X4912	GARLK	415150	63X5061	GARLK	415483
63X4662	GARLK	470506	63X4784	GARLK	415072	63X4914	GARLK	416271	63X5061	GARLK	455368
63X4665	GARLK	450316	63X4785	GARLK	415124	63X4916	GARLK	450365	63X5063	GARLK	55028
63X4665	GARLK	472636	63X4787	GARLK	476470	63X4916	GARLK	470898	63X5066	GARLK	415045
63X4667	GARLK	55548	63X4788	GARLK	415066	63X492	GARLK	473211	63X507	GARLK	481834
63X4668	GARLK	417541	63X4789	GARLK	415327	63X4924	GARLK	417597	63X5078	GARLK	450301
63X4669	GARLK	416892	63X4790	GARLK	416288	63X4925	GARLK	417606	63X5078	GARLK	472397
63X4670	GARLK	450083	63X4792	GARLK	471354	63X4928	GARLK	416154	63X5079	GARLK	416339
63X4670	GARLK	472924	63X4800	GARLK	417020	63X4929	GARLK	455462	63X5079	GARLK	455031
63X4671	GARLK	470351	63X4801	GARLK	415227	63X493	GARLK	473212	63X51	GARLK	471526
63X4671	GARLK	471504	63X4802	GARLK	450545	63X4934	GARLK	415066	63X511	GARLK	473435
63X4672	GARLK	450352	63X4804	GARLK	417487	63X4938	GARLK	412920	63X514	GARLK	473436
63X4672	GARLK	472164	63X4804	GARLK	455086	63X4938	GARLK	450132	63X520	GARLK	450054
63X4677	GARLK	472560N	63X4806	GARLK	455129	63X4938F1	GARLK	412920	63X5208F1	GARLK	417211
63X4677	GARLK	50151S	63X4808	GARLK	417247	63X494	GARLK	473212	63X5256F1	GARLK	472179
63X4681	GARLK	415124	63X4809	GARLK	415294	63X4945	GARLK	416738	63X5268F1	GARLK	473440
63X4682	GARLK	417351	63X4809	GARLK	455294	63X4945	GARLK	450096	63X5283F1	GARLK	472492
63X4682	GARLK	455154	63X482	GARLK	473210	63X495	GARLK	473212	63X5295	GARLK	471744

INTERCHANGE SECTION

COMPETITIVE INTERCHANGES



Mfr No.	Mfr. National	Mfr No.	Mfr. National	Mfr No.	Mfr. National	Mfr No.	Mfr. National
63X53	GARLK 471472	63X5907	GARLK 416404	63X6192	GARLK 470806	63X6438	GARLK 450301
63X535	GARLK 470403	63X5912	GARLK 417548	63X621	GARLK 473438	63X6438	GARLK 472397
63X535	GARLK 470774	63X5913	GARLK 472018	63X622	GARLK 473439	63X6438R1	GARLK 472397
63X536	GARLK 470403	63X5914	GARLK 450194	63X6224	GARLK 480630	63X6439	GARLK 417350
63X536	GARLK 470774	63X5914	GARLK 473010	63X6224	GARLK 480991	63X6439	GARLK 455479
63X537	GARLK 470403	63X592	GARLK 473224	63X6230	GARLK 470358	63X644	GARLK 470548
63X537	GARLK 470774	63X5920	GARLK 417567	63X6230	GARLK 473231	63X644	GARLK 470625
63X538	GARLK 472287	63X5922	GARLK 415281N	63X6231	GARLK 470358	63X6440	GARLK 410520
63X5387F1	GARLK 415449	63X5925	GARLK 417486	63X6231	GARLK 473231	63X6440	GARLK 471272
63X5387R1	GARLK 415449	63X5929	GARLK 415551	63X624	GARLK 473439	63X6444	GARLK 416654
63X539	GARLK 472287	63X593	GARLK 473224	63X6245	GARLK 450400	63X6444	GARLK 455012
63X5393	GARLK 450066	63X5930	GARLK 417211	63X6252	GARLK 450494	63X6446	GARLK 412473
63X5393	GARLK 473367	63X5933	GARLK 55301S	63X6252	GARLK 472164	63X6446	GARLK 415894
63X5394F1	GARLK 471785	63X5937	GARLK 482310	63X6266	GARLK 417474	63X645	GARLK 470548
63X5398	GARLK 412871	63X5938	GARLK 415371	63X6271	GARLK 470625	63X645	GARLK 470625
63X5398	GARLK 450329	63X594	GARLK 473224	63X6272	GARLK 450389	63X6450	GARLK 453165
63X54	GARLK 471472	63X5945	GARLK 417278	63X6272	GARLK 472492	63X6450	GARLK 471619
63X541	GARLK 471192	63X5947	GARLK 411253	63X6289	GARLK 471498	63X6451	GARLK 417488
63X542	GARLK 471192	63X5947	GARLK 450099	63X6300	GARLK 476514	63X6456	GARLK 415449
63X543	GARLK 471192	63X5948	GARLK 415984	63X6328	GARLK 416011	63X6456	GARLK 455147
63X544	GARLK 470169	63X595	GARLK 473016	63X6328	GARLK 417621	63X6457	GARLK 472826
63X544	GARLK 473214	63X5953	GARLK 417357	63X6333	GARLK 455330	63X6459F1	GARLK 470565
63X545	GARLK 470169	63X5953	GARLK 455192	63X6335	GARLK 455583N	63X646	GARLK 470059
63X545	GARLK 473214	63X5957	GARLK 471413	63X6340	GARLK 417600	63X646	GARLK 470380
63X546	GARLK 470169	63X5959	GARLK 415090	63X6353	GARLK 473405	63X6461	GARLK 456105
63X546	GARLK 473214	63X596	GARLK 473016	63X6356	GARLK 476470	63X6462	GARLK 473225
63X547	GARLK 473215	63X5960	GARLK 417606	63X6358	GARLK 415991	63X6465	GARLK 415147
63X548	GARLK 473215	63X5966	GARLK 450183	63X6358	GARLK 455146	63X6465	GARLK 415449
63X549	GARLK 473215	63X5966	GARLK 472179	63X6359	GARLK 416047	63X6465R1	GARLK 415147
63X5496	GARLK 473439	63X5968	GARLK 473474	63X6359	GARLK 416332	63X6465R1	GARLK 415449
63X55	GARLK 471549	63X5969	GARLK 455509	63X6360	GARLK 415035	63X6466	GARLK 471763
63X550	GARLK 470950	63X597	GARLK 473016	63X6360	GARLK 455035	63X6467	GARLK 417316
63X550	GARLK 6241S	63X5978	GARLK 473380	63X6361	GARLK 415196	63X6467	GARLK 455004
63X5501	GARLK 450523	63X5980	GARLK 412119	63X6363	GARLK 416888	63X6468	GARLK 416071
63X551	GARLK 470950	63X5980	GARLK 450101	63X6363	GARLK 455200	63X6469	GARLK 472394
63X551	GARLK 6241S	63X5981	GARLK 55078S	63X6365	GARLK 415725	63X6469R1	GARLK 472394
63X552	GARLK 470950	63X5983	GARLK 415036	63X6366	GARLK 417549	63X647	GARLK 470059
63X552	GARLK 6241S	63X599	GARLK 473225	63X6369	GARLK 417515	63X647	GARLK 470380
63X556	GARLK 450444	63X6	GARLK 350364	63X6370	GARLK 416229	63X6470	GARLK 471689
63X556	GARLK 471835	63X60	GARLK 471530	63X6374	GARLK 416364	63X6470F1	GARLK 471689
63X5560	GARLK 411253	63X600	GARLK 473225	63X6375	GARLK 416239	63X6471	GARLK 417316
63X5560	GARLK 450099	63X601	GARLK 470062	63X6378	GARLK 415867	63X6471	GARLK 455004
63X557	GARLK 450444	63X601	GARLK 474264	63X6385	GARLK 417603	63X6474	GARLK 470682
63X557	GARLK 471835	63X602	GARLK 470062	63X6387	GARLK 55301S	63X6475	GARLK 450444
63X5581	GARLK 415458	63X602	GARLK 474264	63X6391	GARLK 417605	63X6475	GARLK 471835
63X559	GARLK 472843	63X6028F1	GARLK 472185	63X6395	GARLK 415482	63X6478	GARLK 410520
63X56	GARLK 471549	63X603	GARLK 470062	63X6413	GARLK 417247	63X6478	GARLK 471272
63X5656	GARLK 473426	63X603	GARLK 474264	63X6414	GARLK 473460	63X6479	GARLK 471192
63X5657F1	GARLK 471466	63X6062	GARLK 472810	63X6415	GARLK 470027	63X6479R1	GARLK 471192
63X566	GARLK 50126	63X607	GARLK 473226	63X6415	GARLK 471554	63X648	GARLK 470059
63X5704	GARLK 471737	63X608	GARLK 473226	63X6418	GARLK 415295	63X648	GARLK 470380
63X5713	GARLK 473227	63X609	GARLK 473226	63X6422	GARLK 417598	63X6484	GARLK 416666
63X5886	GARLK 455008	63X6099	GARLK 481397	63X643	GARLK 470548	63X6487	GARLK 471887
63X5887	GARLK 473446	63X610	GARLK 473437	63X643	GARLK 470625	63X6489	GARLK 455018
63X5892	GARLK 416888	63X612	GARLK 473437	63X6430	GARLK 471785	63X6489	GARLK 476470
63X5892	GARLK 455200	63X6127	GARLK 471231	63X6431	GARLK 455022	63X649	GARLK 471820
63X5893	GARLK 472810	63X613	GARLK 471862	63X6433	GARLK 416364	63X6497	GARLK 417487
63X5897	GARLK 455080	63X6141F1	GARLK 473244	63X6434	GARLK 417357	63X6497	GARLK 455014
63X5900	GARLK 473466	63X615	GARLK 471862	63X6434	GARLK 455192	63X6499	GARLK 417487
63X5906	GARLK 417020	63X619	GARLK 473438	63X6437	GARLK 416239	63X6499	GARLK 455014

INTERCHANGE SECTION

COMPETITIVE INTERCHANGES

Mfr No.	Mfr.	National	Mfr No.	Mfr.	National	Mfr No.	Mfr.	National	Mfr No.	Mfr.	National
63X650	GARLK	471820	63X6580	GARLK	450593	63X6679	GARLK	417191	63X6767	GARLK	415035
63X6500	GARLK	471267	63X6581	GARLK	417603	63X668	GARLK	470077	63X6767	GARLK	415953
63X6502	GARLK	416288	63X6584	GARLK	455018	63X668	GARLK	474281	63X6768	GARLK	417020
63X6506	GARLK	450519	63X6584	GARLK	476470	63X6680	GARLK	416921	63X6770	GARLK	417604
63X6506	GARLK	471271	63X6585	GARLK	455655	63X6680	GARLK	455011	63X6773	GARLK	415551
63X6506F1	GARLK	471271	63X6586	GARLK	415090	63X6680F1	GARLK	416921	63X6774	GARLK	470169
63X6510	GARLK	417600	63X6588	GARLK	416654	63X6682	GARLK	450316	63X6774	GARLK	473214
63X6511	GARLK	415088	63X6588	GARLK	455012	63X6682	GARLK	472636	63X6774R1	GARLK	473214
63X6511	GARLK	455088	63X6588R1	GARLK	416654	63X6687	GARLK	415077	63X6794	GARLK	450066
63X6513	GARLK	416167	63X659	GARLK	451857	63X669	GARLK	470077	63X6794	GARLK	473367
63X6513	GARLK	455091	63X6590	GARLK	416047	63X669	GARLK	474281	63X6795	GARLK	450441
63X6515	GARLK	455434	63X6590	GARLK	416332	63X6692	GARLK	417355	63X6795	GARLK	471341
63X6516	GARLK	470358	63X6592	GARLK	473450	63X67	GARLK	471281	63X6796	GARLK	417362
63X6516	GARLK	473231	63X6593	GARLK	472015	63X670	GARLK	470548	63X6797	GARLK	455330
63X6517	GARLK	471808	63X6599	GARLK	416921	63X670	GARLK	470625	63X6798	GARLK	415559
63X6521	GARLK	455462	63X6599	GARLK	455011	63X6700	GARLK	415302	63X6799	GARLK	415035
63X6522	GARLK	471984	63X660	GARLK	451857	63X6700F1	GARLK	415302	63X6799	GARLK	415953
63X6522R1	GARLK	471984	63X6600	GARLK	416345	63X6701	GARLK	470169	63X68	GARLK	471281
63X6523	GARLK	471267	63X6600	GARLK	455033	63X6701	GARLK	473214	63X6800	GARLK	417082
63X6523F1	GARLK	471267	63X6602	GARLK	457874	63X6705	GARLK	470064	63X6802	GARLK	455480
63X6524F1	GARLK	471649	63X6603	GARLK	415725	63X6705	GARLK	471821	63X6806	GARLK	416339
63X6528	GARLK	418028	63X6604	GARLK	472015	63X6706	GARLK	450095	63X6806	GARLK	455031
63X6528	GARLK	455137	63X6605	GARLK	473243	63X6706	GARLK	473464	63X6832	GARLK	450183
63X6529	GARLK	473224	63X6608	GARLK	471870	63X6707	GARLK	417554	63X6832	GARLK	472179
63X6530	GARLK	415072	63X6608	GARLK	471883	63X6708	GARLK	455018	63X6832R1	GARLK	472179
63X6534	GARLK	415991	63X661	GARLK	470487N	63X6708	GARLK	476470	63X6833	GARLK	417606
63X6534	GARLK	455146	63X6610	GARLK	450067	63X6711	GARLK	415725	63X6835	GARLK	417509
63X6541	GARLK	411245	63X6610	GARLK	473228	63X6713	GARLK	417601	63X6838	GARLK	9568
63X6541	GARLK	455096	63X6616	GARLK	455476	63X6714	GARLK	415988	63X6839	GARLK	476470
63X6545	GARLK	415711	63X6632	GARLK	455151	63X6716	GARLK	416664	63X6840	GARLK	417506
63X6546	GARLK	472439	63X6634	GARLK	415116	63X6716	GARLK	455364	63X6842	GARLK	417020
63X6547	GARLK	473237	63X6635	GARLK	417542	63X6722	GARLK	417601	63X6847	GARLK	417526
63X6548	GARLK	473243	63X6637	GARLK	471466	63X6723	GARLK	417488	63X6853	GARLK	472394
63X6549	GARLK	473405	63X6638	GARLK	473240	63X6730	GARLK	417344	63X6856	GARLK	471255
63X655	GARLK	473228	63X6639	GARLK	472658	63X6730	GARLK	455006	63X6857	GARLK	470189
63X655	GARLK	51098	63X6639	GARLK	473197	63X6730R1	GARLK	417344	63X6857	GARLK	471692
63X6550	GARLK	417605	63X664	GARLK	473440	63X6732	GARLK	471760	63X6860	GARLK	450194
63X6551	GARLK	450067	63X6640	GARLK	415725	63X6733	GARLK	330385	63X6860	GARLK	473010
63X6551	GARLK	473228	63X6644	GARLK	457874	63X6734	GARLK	416154	63X6860R1	GARLK	473010
63X6551R1	GARLK	473228	63X6645	GARLK	415991	63X6739	GARLK	416011	63X6860T2	GARLK	473010
63X6554	GARLK	473236	63X6645	GARLK	455146	63X6739	GARLK	417621	63X6864	GARLK	417073
63X6556	GARLK	417357	63X665	GARLK	473440	63X6741	GARLK	417254	63X6865	GARLK	417481
63X6556	GARLK	455192	63X6651	GARLK	417343	63X6741F1	GARLK	417254	63X6866	GARLK	412871
63X656	GARLK	473228	63X6652	GARLK	417496	63X6744F1	GARLK	471981	63X6866	GARLK	450329
63X656	GARLK	51098	63X6654	GARLK	472138	63X6745	GARLK	470163	63X6868	GARLK	417351
63X6560	GARLK	412040	63X6658	GARLK	471276	63X6745	GARLK	471766	63X6868	GARLK	455154
63X6563	GARLK	415045	63X666	GARLK	473440	63X6745R1	GARLK	471766	63X6870	GARLK	455134
63X6564	GARLK	415551	63X6664	GARLK	415379	63X6746	GARLK	415683	63X6871	GARLK	417515
63X6565	GARLK	417357	63X6664	GARLK	455379	63X6749	GARLK	471255	63X6872	GARLK	417362
63X6565	GARLK	455192	63X6665	GARLK	417541	63X6750	GARLK	415645	63X6888	GARLK	417584
63X6568	GARLK	415035	63X6667	GARLK	470059	63X6750	GARLK	455104	63X6892	GARLK	416239
63X6568	GARLK	455035	63X6667	GARLK	470380	63X6753	GARLK	470074	63X6893	GARLK	416865
63X657	GARLK	450067	63X6667R1	GARLK	470380	63X6753	GARLK	474265	63X6895	GARLK	455406
63X657	GARLK	473228	63X6668	GARLK	413478	63X6755F1	GARLK	471224	63X6896	GARLK	481073
63X6573	GARLK	415090	63X6670	GARLK	415294	63X6757	GARLK	411376	63X6898	GARLK	470565
63X6576	GARLK	470403	63X6670	GARLK	455294	63X6757	GARLK	455093	63X6898R1	GARLK	470565
63X6576	GARLK	470774	63X6674	GARLK	471795	63X6760	GARLK	417603	63X6899	GARLK	450185
63X6578	GARLK	415449	63X6675	GARLK	471801	63X6762	GARLK	417134	63X6899	GARLK	473229
63X6578	GARLK	455147	63X6675R1	GARLK	471801	63X6764	GARLK	455015	63X69	GARLK	471535
63X658	GARLK	451857	63X6678	GARLK	417082	63X6765	GARLK	417278	63X6900	GARLK	417316

INTERCHANGE SECTION

COMPETITIVE INTERCHANGES



Mfr No.	Mfr. National	Mfr No.	Mfr. National	Mfr No.	Mfr. National	Mfr No.	Mfr. National
63X6900	GARLK 455004	63X704	GARLK 472299	63X7160	GARLK 410312N	63X7255	GARLK 455154
63X6901	GARLK 416047	63X706	GARLK 470064	63X7162	GARLK 415351	63X7258	GARLK 416892
63X6901	GARLK 416332	63X706	GARLK 471821	63X7164	GARLK 473455	63X7259	GARLK 450133
63X6904	GARLK 450301	63X7060	GARLK 472432	63X7165	GARLK 416891	63X7262	GARLK 474274
63X6904	GARLK 472397	63X7060	GARLK 474256	63X717	GARLK 470682	63X7264	GARLK 473446
63X6904F1	GARLK 472397	63X7069	GARLK 470403	63X7174	GARLK 472018	63X7265	GARLK 417362
63X6907	GARLK 415027	63X7069	GARLK 470774	63X7176	GARLK 471192	63X7269	GARLK 415437
63X6914	GARLK 416476	63X707	GARLK 470064	63X7177	GARLK 416706	63X7269	GARLK 455173
63X6914	GARLK 455075	63X707	GARLK 471821	63X7177	GARLK 455272	63X7270	GARLK 417181
63X6917	GARLK 417525	63X7072	GARLK 470062	63X718	GARLK 471316	63X7272	GARLK 450389
63X6920	GARLK 415294	63X7072	GARLK 474264	63X7186	GARLK 471760	63X7272	GARLK 472492
63X6920	GARLK 455294	63X708	GARLK 471821	63X7187	GARLK 415483	63X7276	GARLK 416077
63X6921	GARLK 455462	63X7081	GARLK 473237	63X7187	GARLK 455368	63X7277	GARLK 417474
63X6923	GARLK 415711	63X7090	GARLK 450519	63X7192	GARLK 415379	63X7280	GARLK 470064
63X6924	GARLK 416666	63X7090	GARLK 471271	63X7192	GARLK 455379	63X7280	GARLK 471821
63X6927	GARLK 470027	63X7091	GARLK 415082	63X7194	GARLK 412473	63X7282	GARLK 416339
63X6927	GARLK 471554	63X7099	GARLK 450083	63X7194	GARLK 415894	63X7282	GARLK 455031
63X6927F1	GARLK 471554	63X7099	GARLK 472924	63X7195	GARLK 480630	63X7284	GARLK 417539
63X6934	GARLK 473235	63X7099F1	GARLK 472924	63X7196	GARLK 415960	63X7285	GARLK 411245
63X6937	GARLK 470548	63X71	GARLK 471551	63X7196	GARLK 455009	63X7285	GARLK 455096
63X6937	GARLK 470625	63X7101	GARLK 417604	63X7197	GARLK 415995	63X7289	GARLK 417191
63X6937R1	GARLK 470625	63X7104	GARLK 415458	63X7197	GARLK 455013	63X7291	GARLK 416891
63X6938	GARLK 417269	63X7104	GARLK 455003	63X7197T2	GARLK 415836	63X7292	GARLK 417316
63X6939	GARLK 417541	63X7110	GARLK 416888	63X7197T2	GARLK 415995	63X7292	GARLK 455004
63X6946	GARLK 417539	63X7110	GARLK 455200	63X7199	GARLK 417487	63X7299	GARLK 471529
63X6947	GARLK 416364	63X7114	GARLK 415551	63X7199	GARLK 455014	63X7307	GARLK 450352
63X6949	GARLK 415138	63X7115	GARLK 415991	63X72	GARLK 471551	63X7307	GARLK 472164
63X6950	GARLK 450869	63X7115	GARLK 455146	63X7205	GARLK 416153	63X7313	GARLK 418028
63X6952	GARLK 417362	63X712	GARLK 450185	63X7206	GARLK 415711	63X7313	GARLK 455137
63X6955	GARLK 450291	63X712	GARLK 473229	63X721	GARLK 473441	63X7317	GARLK 417562
63X6955	GARLK 471141	63X7120	GARLK 417366	63X7210	GARLK 455151	63X7318	GARLK 455406
63X6957	GARLK 470354	63X7121	GARLK 473437	63X7215R1	GARLK 471689	63X7320	GARLK 471424
63X6959	GARLK 455476	63X7125	GARLK 470358	63X7220	GARLK 455191	63X7324	GARLK 415027
63X6961	GARLK 470062	63X7125	GARLK 473231	63X7221	GARLK 416313	63X7327	GARLK 471887
63X6961	GARLK 474264	63X7126	GARLK 470596	63X7223	GARLK 472319	63X7328	GARLK 415995
63X6966	GARLK 455655	63X7128	GARLK 416666	63X7224	GARLK 415001	63X7328	GARLK 455013
63X6968	GARLK 415021	63X713	GARLK 450185	63X7224	GARLK 455001	63X7328F1	GARLK 415013
63X6971	GARLK 471558	63X713	GARLK 473229	63X7226	GARLK 470062	63X7328F1	GARLK 415995
63X6975	GARLK 9568	63X7130	GARLK 471316	63X7226	GARLK 474264	63X733	GARLK 450065
63X6978	GARLK 415196	63X7134	GARLK 416154	63X7229	GARLK 455189	63X7332	GARLK 415027
63X6981	GARLK 455194	63X7137	GARLK 470059	63X723	GARLK 473441	63X7334	GARLK 455144
63X6982	GARLK 416345	63X7137	GARLK 470380	63X7230	GARLK 415437	63X734	GARLK 450065
63X6982	GARLK 455033	63X714	GARLK 450185	63X7230	GARLK 455173	63X7341F1	GARLK 472475
63X6984	GARLK 471564	63X714	GARLK 473229	63X7231	GARLK 417354	63X7342	GARLK 415645
63X6990	GARLK 415035	63X7140	GARLK 472029	63X7233	GARLK 415551	63X7342	GARLK 455104
63X6990	GARLK 415953	63X7141	GARLK 416556	63X7238	GARLK 450104	63X7346	GARLK 451948
63X6991	GARLK 416125	63X7141	GARLK 472157	63X724	GARLK 450273	63X7347	GARLK 415027
63X6992	GARLK 470045	63X7145	GARLK 472012	63X7241	GARLK 455406	63X7347	GARLK 455027
63X6992	GARLK 476838	63X7145F1	GARLK 472012	63X7245	GARLK 415371	63X7348	GARLK 417535
63X6993	GARLK 471765	63X7146	GARLK 350435	63X7247	GARLK 417562	63X7349	GARLK 475384
63X6993F1	GARLK 471765	63X715	GARLK 470682	63X7248	GARLK 471869	63X7350	GARLK 415991
63X6995	GARLK 471138	63X7152	GARLK 450066	63X7248	GARLK 473459	63X7350	GARLK 455146
63X70	GARLK 471535	63X7152	GARLK 473367	63X7249	GARLK 415960	63X7353	GARLK 417601
63X700	GARLK 472213	63X7152F1	GARLK 471419	63X7249	GARLK 455009	63X7357	GARLK 412473
63X7007	GARLK 472810	63X7152F1	GARLK 473367	63X7253	GARLK 415027	63X7357	GARLK 415894
63X701	GARLK 472213	63X7153	GARLK 417350	63X7253	GARLK 455027	63X7358	GARLK 471646
63X702	GARLK 472213	63X7153	GARLK 455479	63X7254	GARLK 450154	63X7364	GARLK 455019
63X703	GARLK 472299	63X7154	GARLK 415036	63X7254	GARLK 473234	63X7366	GARLK 417550
63X7039	GARLK 450431	63X7155	GARLK 415072	63X7254F1	GARLK 473234	63X7368	GARLK 455480
63X7039	GARLK 471539	63X7159	GARLK 455005	63X7255	GARLK 417351	63X7370F1	GARLK 472164

INTERCHANGE SECTION

COMPETITIVE INTERCHANGES

Mfr No.	Mfr.	National	Mfr No.	Mfr.	National	Mfr No.	Mfr.	National	Mfr No.	Mfr.	National
63X7371	GARLK	415551	63X7564	GARLK	471271	63X7689	GARLK	416158	63X7819	GARLK	416167
63X7372	GARLK	471808	63X7566	GARLK	416865	63X769	GARLK	450194	63X7819	GARLK	455091
63X7372F1	GARLK	471808	63X7567F1	GARLK	471192	63X769	GARLK	473010	63X782	GARLK	450275
63X7374	GARLK	476470	63X7568	GARLK	470548	63X7690	GARLK	415187	63X7824	GARLK	415090
63X7375	GARLK	417596	63X7568	GARLK	470625	63X7695	GARLK	470077	63X7825	GARLK	417597
63X7382	GARLK	411253	63X7568F1	GARLK	470625	63X7695	GARLK	474281	63X7829	GARLK	416664
63X7382	GARLK	450099	63X7572	GARLK	417316	63X77	GARLK	471532	63X7829	GARLK	455364
63X7386	GARLK	472258	63X7572	GARLK	455004	63X7700	GARLK	413246	63X7829F1	GARLK	416664
63X7389	GARLK	415379	63X7574	GARLK	415303	63X7700	GARLK	413246N	63X783	GARLK	450275
63X7389	GARLK	455379	63X7578	GARLK	416153	63X771	GARLK	450194	63X7831	GARLK	471646
63X739	GARLK	482253	63X7590	GARLK	455195	63X771	GARLK	473010	63X7837	GARLK	417513
63X7390	GARLK	470163	63X7590	GARLK	472157	63X7717	GARLK	417171	63X7839	GARLK	417252
63X7390	GARLK	471766	63X7594	GARLK	416271	63X772	GARLK	450069	63X7840	GARLK	55357
63X7390F1	GARLK	471766	63X760	GARLK	470358	63X772	GARLK	473232	63X7842	GARLK	472020
63X7391	GARLK	474255	63X760	GARLK	473231	63X7722	GARLK	455195	63X7861	GARLK	415196
63X7402	GARLK	415088	63X7603	GARLK	416476	63X7722	GARLK	472157	63X7864	GARLK	450285
63X7402	GARLK	455088	63X7603	GARLK	455075	63X7723	GARLK	450316	63X787	GARLK	450078
63X7409	GARLK	416107	63X761	GARLK	470358	63X7723	GARLK	472636	63X787	GARLK	473444
63X7409	GARLK	455073	63X761	GARLK	473231	63X774	GARLK	450069	63X7873	GARLK	470358
63X7418	GARLK	415683	63X7610	GARLK	417549	63X774	GARLK	473232	63X7873	GARLK	473231
63X7419	GARLK	455018	63X7611	GARLK	417198	63X7745	GARLK	417556	63X7877	GARLK	415066
63X7419	GARLK	476470	63X7612	GARLK	415072	63X7747	GARLK	417484N	63X7879	GARLK	417780
63X742	GARLK	451469	63X7615	GARLK	415027	63X7747	GARLK	455322	63X788	GARLK	450078
63X7420	GARLK	472029	63X7615	GARLK	455027	63X7749	GARLK	417534	63X788	GARLK	473444
63X7423	GARLK	6936S	63X7616	GARLK	416047	63X775	GARLK	481864	63X7880	GARLK	416556
63X7433	GARLK	415072	63X7616	GARLK	416332	63X7752	GARLK	471760	63X7880	GARLK	472157
63X7435	GARLK	472020	63X762	GARLK	470358	63X7758	GARLK	417601	63X789	GARLK	450078
63X7436	GARLK	415327	63X762	GARLK	473231	63X7759	GARLK	457874	63X789	GARLK	473444
63X744	GARLK	451469	63X7626	GARLK	417549	63X7764	GARLK	416273	63X79	GARLK	473405
63X7440	GARLK	415379	63X7629	GARLK	417562	63X7765	GARLK	418028	63X790	GARLK	470358
63X7440	GARLK	455379	63X763	GARLK	450066	63X7765	GARLK	455137	63X790	GARLK	473231
63X7447	GARLK	470059	63X763	GARLK	473367	63X7767	GARLK	471829	63X7907	GARLK	470950
63X7447	GARLK	470380	63X7633	GARLK	471887	63X7768	GARLK	450307	63X7907	GARLK	6241S
63X7448	GARLK	415036	63X7633F1	GARLK	471887	63X777	GARLK	481864	63X7909	GARLK	417602
63X751	GARLK	450274	63X764	GARLK	450066	63X7772	GARLK	455820	63X7915	GARLK	450444
63X7510	GARLK	350414	63X764	GARLK	473367	63X7774	GARLK	415227	63X7915	GARLK	471835
63X7510	GARLK	472311	63X7642	GARLK	416294	63X7775	GARLK	455556	63X792	GARLK	470358
63X7516	GARLK	474278	63X7646	GARLK	472041	63X7776	GARLK	415458	63X792	GARLK	473231
63X7516	GARLK	480356	63X7646	GARLK	473454	63X7776	GARLK	455003	63X793	GARLK	450066
63X7518	GARLK	471766	63X7649	GARLK	472018	63X7776F1	GARLK	415458	63X793	GARLK	473367
63X7523	GARLK	471862	63X765	GARLK	450066	63X778	GARLK	474274	63X7934	GARLK	55469
63X7542	GARLK	415281N	63X765	GARLK	473367	63X7780	GARLK	415128	63X7937	GARLK	2081
63X7542F1	GARLK	417349	63X7652	GARLK	417541	63X7783	GARLK	417604	63X7941	GARLK	455509
63X7544	GARLK	415437	63X7653	GARLK	415076	63X7784	GARLK	417181	63X799	GARLK	450260
63X7544	GARLK	455173	63X7659	GARLK	415034	63X7785	GARLK	455123	63X7993	GARLK	417273
63X7549	GARLK	413246	63X7659	GARLK	455034	63X7786	GARLK	455123	63X80	GARLK	473405
63X7549	GARLK	413246N	63X7661	GARLK	471192	63X7787	GARLK	417351	63X805	GARLK	450073
63X7551	GARLK	415088	63X7668	GARLK	417316	63X7787	GARLK	455154	63X8063	GARLK	350974
63X7551	GARLK	455088	63X7668	GARLK	455004	63X7791	GARLK	416339	63X8067	GARLK	472644
63X7554	GARLK	415683	63X7669	GARLK	417298	63X7791	GARLK	455031	63X8074	GARLK	471827
63X7555	GARLK	471984	63X7670	GARLK	455018	63X7795	GARLK	417247	63X8081	GARLK	450819
63X7555F1	GARLK	471984	63X7670	GARLK	476470	63X7796	GARLK	455584	63X81	GARLK	471558
63X7559	GARLK	417356	63X7671	GARLK	415259	63X78	GARLK	471532	63X8102	GARLK	455556
63X7559	GARLK	455188	63X7675	GARLK	471787	63X780	GARLK	474274	63X8104	GARLK	472299
63X7560	GARLK	416154	63X7677	GARLK	472319	63X7803	GARLK	415196	63X8111	GARLK	417196
63X7561	GARLK	417602	63X7684	GARLK	450154	63X781	GARLK	450275	63X8112	GARLK	417511
63X7562	GARLK	415219	63X7684	GARLK	473234	63X7812	GARLK	416345	63X8117	GARLK	415023
63X7563	GARLK	450389	63X7685	GARLK	415938	63X7812	GARLK	455033	63X8120	GARLK	415371
63X7563	GARLK	472492	63X7686	GARLK	415041	63X7814	GARLK	415035	63X8127	GARLK	416891
63X7564	GARLK	450519	63X7687	GARLK	481792	63X7814	GARLK	415953	63X8128	GARLK	417355

INTERCHANGE SECTION

COMPETITIVE INTERCHANGES



Mfr No.	Mfr. National	Mfr No.	Mfr. National	Mfr No.	Mfr. National	Mfr No.	Mfr. National
63X8129	GARLK 470403	63X8292	GARLK 473458	63X8498	GARLK 471341	63X8704	GARLK 470548
63X8129	GARLK 470774	63X8293	GARLK 473238	63X8521	GARLK 412040	63X8704	GARLK 470625
63X8131	GARLK 450285	63X8300	GARLK 415327	63X8529	GARLK 417597	63X8705	GARLK 480281
63X8135	GARLK 473227	63X8306	GARLK 416107	63X853	GARLK 473446	63X8708	GARLK 417780
63X8140	GARLK 455462	63X8306	GARLK 455073	63X8530	GARLK 416664	63X871	GARLK 450068
63X8151	GARLK 415991	63X8309	GARLK 417538	63X8530	GARLK 455364	63X8712	GARLK 415645
63X8151	GARLK 455146	63X8310	GARLK 417539	63X854	GARLK 473446	63X8712	GARLK 455104
63X8153	GARLK 415458	63X8311	GARLK 415437	63X855	GARLK 473446	63X8724	GARLK 473463
63X8153	GARLK 455003	63X8311	GARLK 455173	63X8551	GARLK 416149	63X8726	GARLK 415281N
63X8154	GARLK 416404	63X8312F1	GARLK 471750	63X8556	GARLK 417507	63X8728	GARLK 470605
63X8156	GARLK 417171	63X8314	GARLK 471765	63X8556	GARLK 455513	63X8731	GARLK 417356
63X8161	GARLK 415045	63X8328	GARLK 455197N	63X8560	GARLK 417604	63X8731	GARLK 455188
63X8165	GARLK 415066	63X8330	GARLK 416154	63X8566	GARLK 455576	63X8732	GARLK 450298
63X8169	GARLK 457874	63X8331	GARLK 417258	63X8569	GARLK 471818	63X8732	GARLK 473239
63X8173	GARLK 416077	63X8342	GARLK 471255	63X8570	GARLK 415263	63X8734	GARLK 471820
63X8187	GARLK 472475	63X835	GARLK 450154	63X8571	GARLK 413248	63X8736	GARLK 415072
63X8187R1	GARLK 472475	63X835	GARLK 473234	63X8572	GARLK 472029	63X8738	GARLK 470565
63X8188	GARLK 455019	63X8353	GARLK 476535	63X8573	GARLK 415001	63X8744	GARLK 417357
63X8192	GARLK 417273	63X836	GARLK 450154	63X8573	GARLK 455001	63X8744	GARLK 455192
63X82	GARLK 471558	63X836	GARLK 473234	63X8579	GARLK 417601	63X8745	GARLK 416891
63X820	GARLK 450415	63X837	GARLK 450154	63X8585	GARLK 415072	63X8747	GARLK 415867
63X8205	GARLK 417596	63X837	GARLK 473234	63X859	GARLK 471981	63X8752	GARLK 417362
63X8208	GARLK 417513	63X838	GARLK 473235	63X8591	GARLK 415871	63X8756	GARLK 417020
63X8213	GARLK 450316	63X8384	GARLK 415867	63X8592	GARLK 417211	63X8757	GARLK 417494
63X8213	GARLK 472636	63X8396	GARLK 415937	63X8596	GARLK 455584	63X8758	GARLK 417020
63X8214	GARLK 455820	63X840	GARLK 473235	63X8608	GARLK 455022	63X8775	GARLK 417298
63X8222	GARLK 416011	63X8400	GARLK 415142	63X861	GARLK 471981	63X8778	GARLK 416163
63X8222	GARLK 417621	63X8401	GARLK 472041	63X862	GARLK 50327	63X8780	GARLK 415991
63X8224	GARLK 455191	63X8401	GARLK 473454	63X8628	GARLK 417542	63X8780	GARLK 455146
63X8231	GARLK 417191	63X8404	GARLK 413469	63X8629	GARLK 417539	63X8787	GARLK 415259
63X8233	GARLK 476470	63X8409	GARLK 471633	63X8631	GARLK 416167	63X8790	GARLK 473441
63X8238	GARLK 417606	63X841	GARLK 470074	63X8631	GARLK 455091	63X8797	GARLK 413247
63X8243	GARLK 415072	63X841	GARLK 474265	63X8633	GARLK 416154	63X8797	GARLK 450350
63X8245	GARLK 417487	63X8410	GARLK 417512	63X8635	GARLK 455197N	63X88	GARLK 471466
63X8245	GARLK 455086	63X8416	GARLK 410737	63X8636	GARLK 415196	63X8819	GARLK 455406
63X8248	GARLK 470950	63X8416	GARLK 450737	63X8638	GARLK 417205	63X8824	GARLK 417254
63X8248	GARLK 6241S	63X8417	GARLK 455584	63X8640	GARLK 415984	63X8825	GARLK 416891
63X8251	GARLK 417596	63X8419	GARLK 415138	63X8643	GARLK 450117	63X8828	GARLK 455462
63X8252	GARLK 415294	63X842	GARLK 470074	63X8643	GARLK 472572	63X8830	GARLK 415559
63X8252	GARLK 455294	63X842	GARLK 474265	63X8646	GARLK 450068	63X8833	GARLK 416664
63X826	GARLK 473233	63X8423	GARLK 415072	63X8657	GARLK 417262	63X8833	GARLK 455364
63X8262	GARLK 415124	63X843	GARLK 470074	63X8657	GARLK 455448	63X8836	GARLK 417171
63X8265	GARLK 481792	63X843	GARLK 474265	63X8662	GARLK 417020	63X8845	GARLK 417541
63X8266	GARLK 450078	63X8430	GARLK 456105	63X8663	GARLK 417541	63X8846	GARLK 417547
63X8266	GARLK 473444	63X8437	GARLK 55301S	63X8665	GARLK 417603	63X8847	GARLK 417497
63X8267	GARLK 471551	63X844	GARLK 473236	63X8668	GARLK 455685	63X8848	GARLK 410987
63X827	GARLK 473233	63X8442	GARLK 417252	63X8676	GARLK 417159	63X8856	GARLK 417537
63X8270	GARLK 410308	63X8443	GARLK 416229	63X8678	GARLK 417366	63X886	GARLK 50081
63X8270	GARLK 450308	63X845	GARLK 473236	63X8679	GARLK 455151	63X8864	GARLK 418028
63X8272	GARLK 471472	63X846	GARLK 473236	63X8680	GARLK 415227	63X8864	GARLK 455137
63X8274	GARLK 450298	63X8460	GARLK 416891	63X8681	GARLK 417501	63X8868	GARLK 417605
63X8274	GARLK 473239	63X8462	GARLK 415090	63X8682	GARLK 470645	63X887	GARLK 50081
63X8275	GARLK 471801	63X8466	GARLK 417509	63X8683	GARLK 417511	63X8870	GARLK 415683
63X8278	GARLK 416153	63X8469	GARLK 415871	63X8687	GARLK 415128	63X8875	GARLK 50327
63X828	GARLK 473233	63X8470	GARLK 417159	63X8696	GARLK 417485	63X8879	GARLK 450593
63X8280	GARLK 415379	63X8471	GARLK 417556	63X8697	GARLK 417509	63X8881	GARLK 416556
63X8280	GARLK 455379	63X8477	GARLK 455026	63X8698	GARLK 455297	63X8881	GARLK 472157
63X8284	GARLK 472432	63X8488	GARLK 455566	63X87	GARLK 471466	63X8886	GARLK 470596
63X8284	GARLK 474256	63X8494	GARLK 415482	63X8700	GARLK 418028	63X8903	GARLK 417191
63X829	GARLK 473445	63X8498	GARLK 450441	63X8700	GARLK 455137	63X8904	GARLK 416107

INTERCHANGE SECTION

COMPETITIVE INTERCHANGES

Mfr No.	Mfr.	National	Mfr No.	Mfr.	National	Mfr No.	Mfr.	National	Mfr No.	Mfr.	National
63X8904	GARLK	455073	63X9481	GARLK	417486	64024	VIC	471787	64077	VIC	471763
63X8907	GARLK	415045	63X949	GARLK	471866	64026	DRMAN	026PKG	640777	BENDI	456105
63X8912	GARLK	417542	63X95	GARLK	471612	64029	DRMAN	029PKG	640778	BENDI	416125
63X8917	GARLK	415090	63X9501	GARLK	330385	64029	VIC	471224	640779	BENDI	473426
63X895	GARLK	470086	63X951	GARLK	471866	64030	DRMAN	030PKG	64078	VIC	471281
63X898	GARLK	470351	63X9515	GARLK	471267	64030	VIC	6863S	64081	VIC	416706
63X898	GARLK	471504	63X958	GARLK	473448	64031	DRMAN	031PKG	64083	VIC	416706
63X899	GARLK	470351	63X96	GARLK	471612	64033	DRMAN	033PKG	64083	VIC	455272
63X899	GARLK	471504	63X961	GARLK	471984	640335	WILYS	470059	64084	VIC	415272N
63X900	GARLK	470351	63X9633	GARLK	480281	640335	WILYS	470380	64085	VIC	416706
63X900	GARLK	471504	63X964	GARLK	473313	64034	DRMAN	034PKG	64086	VIC	416364
63X9009	GARLK	471688	63X97	GARLK	481528	640345	WILYS	471801	64087	VIC	471532
63X9013	GARLK	352541	63X976	GARLK	472070	64035	VIC	471689	64088	VIC	416364
63X904	GARLK	450494	63X978	GARLK	472070	64036	DRMAN	036PKG	64090	VIC	471413
63X904	GARLK	472164	63X979	GARLK	471866	64037	DRMAN	037PKG	64092	VIC	470380
63X905	GARLK	451147H	63X98	GARLK	481528	64038	DRMAN	038PKG	64094	VIC	473228
63X906	GARLK	450352	63X982	GARLK	450118	64038	VIC	8660S	64094	VIC	51098
63X906	GARLK	472164	63X982	GARLK	473449	640383	WILYS	340797	64095	VIC	473228
63X907	GARLK	450070	63X9833F1	GARLK	471192	64039	DRMAN	039PKG	640959	VIC	42763
63X907	GARLK	472185	63X984	GARLK	450118	6404	C-R	710679	64096	VIC	340009S
63X909	GARLK	450070	63X984	GARLK	473449	6404	SKF	710679	64096	VIC	351466
63X909	GARLK	472185	63X987	GARLK	480281	64040	DRMAN	040PKG	640977	CATER	6872S
63X9093F1	GARLK	470605	63X988	GARLK	450269	64041	DRMAN	041PKG	64098	VIC	471264
63X91	GARLK	471255	63X991	GARLK	473450	64042	DRMAN	042PKG	64099	VIC	473237
63X910	GARLK	470334	63X9943F1	GARLK	471829	64042	VIC	450984	6410	C-R	221610
63X911	GARLK	470334	64	AU-WS	412040	64043	DRMAN	043PKG	6410	SKF	221610
63X912	GARLK	450076	64	B-L-H	412040	64045	VIC	8460N	64101	AT SU	8705S
63X912	GARLK	470334	640215	BORGW	473235	640454	WHITE	416130	64101	VIC	471255
63X913	GARLK	450183	640344	BORGW	470027	640454D5	DIA	416130	64101S	TROS	8705S
63X913	GARLK	472179	640344	BORGW	471554	64046	VIC	470351	64107	VIC	470530
63X914	GARLK	450183	64001	VIC	350364	640463	WILYS	450069	64108	VIC	470530
63X914	GARLK	472179	64003	DRMAN	003PKG	640463	WILYS	473232	64109	VIC	471538
63X915	GARLK	450183	64004	DRMAN	004PKG	64047	VIC	6863S	6411	AL-KO	370352A
63X915	GARLK	472179	64005	DRMAN	005PKG	640478	CATER	345035	64110	DRMAN	110PKG
63X916	GARLK	473447	64006	DRMAN	006PKG	640479	CATER	345035	64111	DRMAN	111PKG
63X918	GARLK	473447	64007	DRMAN	007PKG	640479	FPDSL	345035	64112	DRMAN	112PKG
63X919	GARLK	470334	64008	DRMAN	008PKG	64048	VIC	472070	64113	DRMAN	113PKG
63X919	GARLK	50289	640087	CONTI	471103	640483	STUDE	370036A	64114	DRMAN	114PKG
63X92	GARLK	471255	640087	CONTI	50197S	64049	VIC	471733	64115	DRMAN	115PKG
63X921	GARLK	470334	64009	DRMAN	009PKG	64050	VIC	471733	64116	DRMAN	116PKG
63X921	GARLK	50289	64010	DRMAN	010PKG	64051	VIC	471442	64116	VIC	415960
63X922	GARLK	450291	64010	VIC	471103	64054	VIC	471652	64117	DRMAN	117PKG
63X922	GARLK	471141	64010	VIC	50197S	640545	AMC	471801	64117	VIC	415960
63X923	GARLK	450291	64011	DRMAN	011PKG	640545	WILYS	471801	64117	VIC	455009
63X923	GARLK	471141	64012	DRMAN	012PKG	64055	VIC	471526	64118	DRMAN	118PKG
63X9234F1	GARLK	473445	64013	DRMAN	013PKG	640555	WILYS	450183	64119	VIC	415960
63X924	GARLK	450291	64014	DRMAN	014PKG	640555	WILYS	472179	6412	C-R	221610
63X924	GARLK	471141	64015	DRMAN	015PKG	640561	WILYS	472179	6412	SKF	221610
63X925	GARLK	473448	64016	DRMAN	016PKG	64059	VIC	350936	64120	DRMAN	120PKG
63X927	GARLK	473448	64017	DRMAN	017PKG	64061	VIC	471692	64121	DRMAN	121PKG
63X928	GARLK	471984	64018	DRMAN	018PKG	64062	VIC	470189	64123	DRMAN	123PKG
63X93	GARLK	471564	64020	DRMAN	020PKG	64062	VIC	471692	64124	DRMAN	124PKG
63X930	GARLK	471984	64021	VIC	471750	64063	VIC	473179	64126	DRMAN	126PKG
63X931	GARLK	473313	64022	DRMAN	022PKG	64064	VIC	5126	64126	VIC	350954
63X933	GARLK	473313	64022	VIC	471224	64066	VIC	471869	64126	VIC	470954
63X9345	GARLK	471733	640230	CATER	450441	64066	VIC	473459	64128	DRMAN	128PKG
63X94	GARLK	471564	640230	CATER	471341	64068	DENCO	415045	64129	AM WH	472144
63X940	GARLK	50266	640230	GERL	450441	64068	VIC	9406S	64129	DRMAN	129PKG
63X943	GARLK	450269	640230	GERL	471341	64075	VIC	471692	64129	VIC	415295
63X946	GARLK	450285	64024	DRMAN	024PKG	64076	VIC	472705	64131	DRMAN	131PKG

INTERCHANGE SECTION

COMPETITIVE INTERCHANGES



Mfr No.	Mfr.	National	Mfr No.	Mfr.	National	Mfr No.	Mfr.	National	Mfr No.	Mfr.	National
64132	DRMAN	132PKG	64213	DRMAN	213PKG	64323	VIC	204505	64448	VIC	472354
64133	DRMAN	133PKG	64214	DRMAN	214PKG	64324	VIC	471763	64452	DRMAN	6005020
64135	DRMAN	135PKG	64215	DRMAN	215PKG	64325	DRMAN	325PKG	644538	WILYS	340787
64135	VIC	471554	64216	DRMAN	216PKG	64326	DRMAN	326PKG	64454	VIC	471192
64136	DRMAN	136PKG	64217	DRMAN	217PKG	64327	DRMAN	327PKG	64456	VIC	370002A
64137	DRMAN	137PKG	64218	DRMAN	218PKG	64328	DRMAN	328PKG	64460	VIC	370018A
64137	VIC	471567	64219	DRMAN	219PKG	64329	DRMAN	329PKG	64462	DRMAN	6006020
64138	DRMAN	138PKG	64220	DRMAN	220PKG	6432LPD	JN-MN	417073	64462	VIC	473231
641383	SPICE	40769S	64220	TROS	9569S	6432LUP	JN-MN	417073	64464	VIC	370145A
641383	WILYS	40769S	64221	DRMAN	221PKG	64330	DRMAN	330PKG	64468	VIC	370007A
64139	DRMAN	139PKG	64221	TROS	51322	64331	DRMAN	331PKG	64471	VIC	370014A
64139	VIC	471498	64222	DRMAN	222PKG	64332	DRMAN	332PKG	64472	DRMAN	6007020
6413S	NATL	483054N	64222	VIC	471571	64333	DRMAN	333PKG	644777	BENDI	416288
64140	VIC	471643	64223	DRMAN	223PKG	64334	DRMAN	334PKG	64482	DRMAN	6008020
64141	DRMAN	141PKG	64223D	IH	455195	64335	DENCO	415058	64482	VIC	370165A
64142	DRMAN	142PKG	64223D	IH	472157	64335	DRMAN	335PKG	644830	BENDI	471689
64142	VIC	471684	64225	VIC	370013A	64337	DRMAN	337PKG	644831	BENDI	450078
64142	VIC	471698	64226	DRMAN	226PKG	64338	DRMAN	338PKG	644831	BENDI	473444
64143	DRMAN	143PKG	64227	VIC	370012A	64339	DRMAN	339PKG	644832	BENDI	450593
64143	VIC	415867	64228	DRMAN	228PKG	64340	DRMAN	340PKG	64484	VIC	415009
64144	DRMAN	144PKG	64230	DRMAN	230PKG	64341	DRMAN	341PKG	64484	VIC	415960
64144	VIC	473406	64231	VIC	370029A	64346	HYST	471765	644856	CHRYS	470354
64145	DRMAN	145PKG	64232	DRMAN	232PKG	64346	VIC	472475	64487	AM WH	470169
64146	DRMAN	146PKG	64234	DRMAN	234PKG	64347	VIC	473426	64487	AM WH	473214
64147	DRMAN	147PKG	64234	VIC	370008A	64349	VIC	471765	64487	VIC	370010A
64147	VIC	342805	64236	DRMAN	236PKG	64353	VIC	471354	64488	AM WH	417343
64148	DRMAN	148PKG	64236	VIC	417247	64368	ALLCH	327303	644881	BENDI	471733
64148	VIC	39807	64238	DRMAN	238PKG	64382	VIC	474278	64491	VIC	370011A
64149	DRMAN	149PKG	64238	VIC	417541	64385	VIC	471737	64492	DRMAN	6010020
6415	JAGUA	1049	6423LPD	JN-MN	415995	643882	CATER	450867	64494	VIC	474276
64150	DRMAN	150PKG	6423LPD	JN-MN	455013	643882	CATER	470898	64495	VIC	370033A
64150	VIC	471231	6423LUP	JN-MN	415995	64395	VIC	471795	64496	VIC	481163
64151	DRMAN	151PKG	6423LUP	JN-MN	455013	644023	GERL	415027	644K1	WHITE	240151
64152	DRMAN	152PKG	64242	VIC	350414	644023	GERL	455027	64501R	TROS	6712NA
64153	DRMAN	153PKG	64242	VIC	472311	64402S	TROS	8610	64502	VIC	455336
64153	HYST	473425	64245	VIC	471224	64405	VIC	353137	645058R91	IH	480630
64159	VIC	472164	64246	VIC	455008	64405	VIC	473424	64507	VIC	J1606
64162	VIC	471231	64247	VIC	471649	644071	MANT	J1121	64511	VIC	370012A
64165	VIC	415072	6424LA	JN-MN	450043	64410	CHECK	350414	64517	VIC	370048A
64173	VIC	350679	6424LA	JN-MN	473419	64410	CHECK	472311	64517	VIC	370182A
64173	VIC	470954	64250	VIC	471689	644119	GERL	450083	64517	VIC	380048A
6418SS	JN-MN	471567	64258	VIC	471760	644119	GERL	472924	64523	VIC	44052
64191	VIC	353132	64261	VIC	453165	64414	VIC	370001A	64529	VIC	450593
64193	VIC	351267	64261	VIC	471619	64414	VIC	380001A	64530	VIC	370001A
64193	VIC	471267	64262	VIC	J1134	64415	VIC	370124A	64530	VIC	380001A
64195	VIC	712270	642649	BENDI	450066	644236X1	IH	6703S	64533	VIC	J1119
64196	VIC	471570	642649	BENDI	473367	64424	VIC	471765	64534	VIC	370054A
64199	VIC	471633	64281	VIC	471765	644254	WILYS	40286	64538	VIC	370132A
6419SS	JN-MN	473231	64284	VIC	471651	644284	AMC	470163	64539	VIC	370131A
6420100214	MERCE	710813	64295	VIC	471762	644284	AMC	471766	64539	VIC	380131A
64200	VIC	471646	6431	C-R	221610	644284	WILYS	470163	64539	VIC	455685
64202S	TROS	8660S	6431	SKF	221610	644284	WILYS	471766	6453LA	JN-MN	450472
64203	VIC	204035	64314	VIC	352560	64432	DRMAN	6003020	64541	VIC	370011A
64203S	TROS	8940S	64314	VIC	472560N	64433	VIC	473228	64542	VIC	415371
64209	VIC	41461S	64315	VIC	471652	64434	VIC	417698	64546	VIC	370006A
64210	DRMAN	210PKG	64317	VIC	470328	64437	VIC	370057A	6454LA	JN-MN	416654
64210	VIC	323133	64317	VIC	481213	64442	DRMAN	6004020	6454LA	JN-MN	455012
64211	DRMAN	211PKG	64317W	DIA	240151	64443	VIC	370030A	6455	C-R	710261
64212	DRMAN	212PKG	64320	VIC	470712	64446	VIC	323138	6455	SKF	710261
64213	CROWN	200885	64323	VIC	204020	64448	VIC	352354	64551	EATON	470737N

INTERCHANGE SECTION

COMPETITIVE INTERCHANGES

Mfr No.	Mfr.	National	Mfr No.	Mfr.	National	Mfr No.	Mfr.	National	Mfr No.	Mfr.	National
64553	VIC	370021A	64638	DRMAN	6038030	6494632	SPICE	473238	6500631	VERA	494122
64558	VIC	370047A	64638	VIC	472164	6494633	SPICE	413247	6500722	VERA	1974
64560	VIC	481181	6464	HYST	417316	6494633	SPICE	450350	6500839	VERA	471224
64560	VIC	481181N	6464	HYST	455004	6494634	SPICE	415449	6500862	VERA	228010
64561	VIC	370046A	64646	VIC	472179	6494634	SPICE	455147	6501042	VERA	471224
64562	VIC	473231	64656	EATON	475012N	6494635	SPICE	415379	6501067	VERA	480630
64564	VIC	370046A	64679	EATON	416271	6494635	SPICE	455379	6501067	VERA	480991
64566	VIC	370106A	64679	EATON	475095N	6494636	SPICE	471692	6501083	VERA	472397
64567	VIC	370019A	64680	EATON	712375	6494LA	JN-MN	473245	6501091	VERA	1959
64568	VIC	J1131	646851	ALLCH	471466	649574	GMC	481163	6501125	VERA	1950
645681	ALLCH	415725	64687D	IH	450301	649591	GMC	370024A	6501133	VERA	224015
6456LA	JN-MN	455026	64687D	IH	472397	6495S	NATL	455566	6501141	VERA	1176
64570	VIC	J1138	64688D	IH	415995	64993	C-R	415294	6501185	VERA	2002
64571	VIC	370028A	64688D	IH	455013	64993	SKF	415294	6501216	VERA	470898
64572	VIC	3095	64697	VIC	473231	64994	C-R	415294	6501265	VERA	473234
64572	VIC	3103	646973	OPEL	710674	64994	SKF	415294	6501281	VERA	1177
64573	VIC	3103	6470203	STUDE	471829	6499SS	JN-MN	340483	6501315	VERA	1960
6457LA	JN-MN	415259	647217R91	IH	415085	64SD53	BORGW	417316	6501398	VERA	224252
64584	VIC	370024A	647217R91	IH	456648	64SD53	BORGW	455004	6501430	VERA	1196
64585	VIC	J1128	64730	VIC	417158	64SD53	IG-RA	417316	6501455	VERA	3698
64589	VIC	370009A	64738	DRMAN	6038040	64SD53	IG-RA	455004	6501463	VERA	472164
64589	VIC	380009A	647400R91	IH	5976S	64X3921	GARLK	417601	6501513	VERA	1984
645891	WILYS	240385	64744	DRMAN	6044040	64X3926	GARLK	417602	6501588	VERA	473234
64592	VIC	472475	647468	WILYS	470351	64X3938	GARLK	417604	6501612	VERA	473228
64595	VIC	9912	64749325	VMM	224520	64X3944	GARLK	417567	6501612	VERA	481837
645980	WILYS	5MR1300	6475	VICK	471442	64X3952	GARLK	415128	6501638	VERA	1183
646007	CATER	415035	64754	VIC	450073	64X3953	GARLK	455129	6501679	VERA	2002
646007	CATER	455035	64780	HYST	471765	64X3954	GARLK	455462	6501745	VERA	471195
64601	VIC	353141	64780	VIC	352541	64X3955	GARLK	415090	6501745	VERA	481195
6460100114	MERCE	710812	647829	BENDI	450039	64X3968	GARLK	415219	6501786	VERA	1209
646015	GERL	417596	647830	BENDI	471276	64X3984	GARLK	417606	6501794	VERA	3771
64601S	TROS	472082	64794	VIC	225230	64X3985	GARLK	55078S	6501802	VERA	1981
64602	AM WH	417563	648029	CATER	417134	64X3997	GARLK	417020	6501893	VERA	471224
64603	VIC	370034A	648029	TMTR	417134	64X3998	GARLK	417020	6501992	VERA	7834
646059	CHRYL	472560N	648149	GMC	412119	64X4009	GARLK	417570	6502015	VERA	472397
646059	CHRYL	50151S	648149	GMC	450101	64X4011	GARLK	457997	6502189	VERA	472213
6460LA	JN-MN	417273	6481S	TIMKE	6481S	64X4017	GARLK	415227	6502239	VERA	471870
6460S	TIMKE	6460S	6482134	DURA	470954	64X4036	GARLK	415482	6502288	VERA	228010
646110M1	MASSE	471316	6484093	STUDE	5778	64X4057	GARLK	415077	6502395	VERA	471224
6461LA	JN-MN	416167	6484109	STUDE	450067	64X4063	GARLK	415076	6502429	VERA	5778
6461LA	JN-MN	455091	6484109	STUDE	473228	64X4072	GARLK	417608	6502817	VERA	203006
64622	DRMAN	6022030	64843	CHECK	8160S	64X4499	GARLK	415124	6502858	VERA	474134
64624	DRMAN	6024030	64853210	TROS	416107	64X4500	GARLK	417022	6502890	VERA	1943
646262	OPEL	710399	64853210	TROS	455073	64X4610	GARLK	415871	6502900	VERA	494117
646263	GMC	710824	648620	ALLCH	416345	6500029	VERA	473823	6502908	VERA	494117
646264	OPEL	3771	648620	ALLCH	455033	6500052	VERA	1167	6503020	VERA	3771
646264	VAUXH	3771	6487	HYST	416865	6500060	VERA	1173	6503038	VERA	3771
646265	GMC	710824	6487	HYST	455070	6500094	VERA	223014	6503087	VERA	3476
646266	OPEL	3771	64874	CHECK	450867	6500250	VERA	471192	6503103	VERA	1949
646266	VAUXH	3771	64874	CHECK	470898	6500268	VERA	470163	6503111	VERA	473812
646267	OPEL	710399	64895HA	IH	412871	6500268	VERA	471766	6503129	VERA	473179
646269	GMC	710613	64895HA	IH	450329	6500300	VERA	473367	6503228	VERA	1990
64627	DRMAN	6027030	649020	CATER	472705	6500342	VERA	470487N	6503426	VERA	2016
646270	OPEL	710399	649266	ALLCH	415995V	6500409	VERA	1956	6503442	VERA	2003N
646271	GMC	710613	649299R91	IH	415697	6500417	VERA	228010	6503459	VERA	444116
646289	GMC	710824	649299R91	IH	455547	6500466	VERA	223535	6503475	VERA	1986
646299	OPEL	710799	64935D	IH	455005	6500482	VERA	223014	6503558	VERA	494123
64630	DRMAN	6030030	649406	CATER	416043	6500516	VERA	1962	6503582	VERA	224015
64635	VIC	6703S	6494631	SPICE	450040	6500532	VERA	1174	6503616	VERA	415984
64636	VIC	473237	6494632	SPICE	450082	6500615	VERA	1188	6503673	VERA	223035

INTERCHANGE SECTION

COMPETITIVE INTERCHANGES



Mfr No.	Mfr.	National	Mfr No.	Mfr.	National	Mfr No.	Mfr.	National	Mfr No.	Mfr.	National
6503715	VERA	482126	6501919	VERA	350936	6504126	VERA	1994	65152U	TRISL	380023A
6503798	VERA	710060	6501950	VERA	223830	6504159	VERA	1180	65165U	TRISL	370005A
6503814	VERA	224025	6501SS	JN-MN	350156	65055	EATON	475368N	65170	VIC	471787
6503822	VERA	1960	6501SS	JN-MN	473096	65056U	TRISL	370003A	65172U	TRISL	370021A
6503830	VERA	474134	6502023	VERA	224235	65056U	TRISL	380003A	65179R91	IH	415697
6504050	VERA	1987	6502080	VERA	451857	65056W	TRISL	370003A	65179R91	IH	455547
6504068	VERA	225220	65021	C-R	416229	65058	CABOT	415645	65184U	TRISL	370019A
6504100	VERA	5696	65021	SKF	416229	65058	CABOT	455104	6519	ALOY	9449
6504142	VERA	5695	6502148	VERA	224025	65058	FAIRB	415645	65191	VIC	340413
6504258	VERA	471870	6502171	VERA	1994	65058	FAIRB	455104	65193	VIC	351267
6504258	VERA	471883	6502197	VERA	227040	65058	GR-DV	415645	65193	VIC	471267
6504274	VERA	494117	65022	VIC	9845	65058	GR-DV	455104	65201S	TROS	8835S
6504308	VERA	1949	6502346	VERA	471785	65058K	CHRYS	415645	65202	TROS	8940S
6504431	VERA	225650	6502361	VERA	227040	65058K	CHRYS	455104	6521	ALOY	8940S
6500	NATL	471829	6502502	VERA	1174	65060U	TRISL	370025A	6521	C-R	481528
6500011	VERA	1213N	6502528	VERA	1174	65060U	TRISL	380025A	6521	SKF	481528
6500037	VERA	1994	6502569	VERA	1012N	65060U	TRISL	386025A	652255R91	IH	204017
65000U	TRISL	370048A	6502577	VERA	224045	65060W	TRISL	370025A	65242	VIC	240414
65000U	TRISL	370182A	65025SF	VIC	710163	65060W	TRISL	386025A	65245	VIC	340120
65000U	TRISL	380048A	6502643	VERA	224045	65061	AMC	473446	6525	ALOY	6712NA
65001	VIC	350364	6502668	VERA	224045	65064	AMC	473446	65261U	TRISL	370036A
6500136	VERA	1012N	6502676	VERA	224045	65065W	TRISL	370005A	65261U	TRISL	370349A
6500193	VERA	224520	65027	TRISL	370106A	6506SS	JN-MN	471192	65261U	TRISL	380036A
6500201	VERA	1174	65027U	TRISL	370106A	65071U	TRISL	370031A	65261W	TRISL	370036A
6500284	VERA	225230	6502825	VERA	1188	65071U	TRISL	380031A	65261W	TRISL	370349A
6500318	VERA	1953	6502825	VERA	224820	65072W	TRISL	370021A	65261W	TRISL	380036A
6500326	VERA	473230	6502833	VERA	1955	65073W	TRISL	370002A	65262U	TRISL	370065A
6500581	VERA	472287	6502866	VERA	225010	65073W	TRISL	370029A	65262U	TRISL	380065A
6500599	VERA	224045	6502874	VERA	225110	65078U	TRISL	370131A	65262W	TRISL	370065A
6500623	VERA	1973	6502916	VERA	1012N	65078U	TRISL	380131A	65262W	TRISL	380065A
6500706	VERA	1174	6502932	VERA	225005	650794	ALLCH	470954	65263	TROS	6638S
6500714	VERA	1012N	6502940	VERA	226285	650794	ALLCH	480954	65263U	TRISL	370001A
6500763	VERA	224270	6502946	VERA	226285	65082D	IH	456105	65263U	TRISL	380001A
6500771	VERA	224045	6502957	VERA	223605	65085D	IH	456105	652656	CLARK	470548
6500789	VERA	223542	6503095	VERA	716102	650893	WHITE	455500	652656	CLARK	470625
6500870	VERA	227550	65030U	TRISL	370069A	65092U	TRISL	370048A	65269W	TRISL	370121A
6500888	VERA	1955	65030U	TRISL	380069A	65092U	TRISL	370182A	65270U	TRISL	370022A
6500896	VERA	225020	65030W	TRISL	370069A	65092U	TRISL	380048A	65270U	TRISL	380022A
6500904	VERA	224820	65030W	TRISL	380069A	65096	VIC	340009S	65270W	TRISL	370022A
6500953	VERA	1012N	6503145	VERA	224520	6509LA	JN-MN	450069	65275U	TRISL	370033A
6500979	VERA	1213N	650328	CHRYS	473450	6509LA	JN-MN	473232	652769R91	IH	204017
6501	ALOY	5123	6503319	VERA	1994	650D5	WHITE	476283N	65279W	TRISL	380022A
6501026	VERA	224015	6503327	VERA	228020	65102S	TROS	8974S	6528LA	JN-MN	470403
6501034	VERA	224015	6503335	VERA	224020	65103	SHOV	416144	6528LA	JN-MN	470774
6501117	VERA	1180	6503373	VERA	227020	65103S	TROS	8975S	65294U	TRISL	370033A
6501158	VERA	223010	6503376	VERA	225020	65105	SHOV	455197N	65298U	TRISL	370037A
6501208	VERA	224840	6503574	VERA	225005	65111U	TRISL	370047A	65298U	TRISL	370338A
6501224	VERA	451948	65036	C-R	416229	65118	ALLCH	471689	6530R	JN-MN	455576
6501273	VERA	223840	65036	SKF	416229	651193R91	IH	204038	65312	VIC	340815
6501299	VERA	223840	65037	C-R	416229	65120	AT SU	9406S	65314	VIC	340151
6501307	VERA	223542	65037	SKF	416229	65121S	TROS	9339S	6531SS	JN-MN	471567
6501364	VERA	472258	6503731	VERA	225020	651246	ALLCH	451583	6532R	JN-MN	472150
6501414	VERA	224840	6503749	VERA	228480	65126	VIC	350954	6533EL	SUL	415991
6501547	VERA	1012N	65039	HYST	471765	65126	VIC	470954	6533EL	SUL	455146
6501554	VERA	226020	6504	ALOY	9406S	651266	WHITE	473205	6533LA	JN-MN	417555
6501570	VERA	224820	6504	HYST	415458	651299	ALLCH	415483	6533LPD	JN-MN	417555
6501646	VERA	1174	6504	HYST	455003	6513499	CLARK	450121	65340S	TROS	8695S
6501703	VERA	224820	6504001	VERA	1213N	6513499	CLARK	472409	65343	DENCO	415058
6501752	VERA	1208	6504042101	MERCE	224252	6515000	CLARK	40301S	653432R91	IH	204017
6501810	VERA	473238	6504118	VERA	1180	65152U	TRISL	370023A	65349	DENCO	416706

INTERCHANGE SECTION

COMPETITIVE INTERCHANGES

Mfr No.	Mfr.	National	Mfr No.	Mfr.	National	Mfr No.	Mfr.	National	Mfr No.	Mfr.	National
65349	DENCO	455272	65698R91	IH	455008	6585	ALOY	2043	65920	FWD	415379
6534EL	SUL	417487	6570	ACF	415035	6585R	JN-MN	417546	65920	FWD	455379
6534EL	SUL	455014	6570	ACF	455035	658650R91	IH	471424	65921	FWD	415023
65350	DENCO	415045	6570	HYST	415035	658651R91	IH	470682	65921	OLIVE	415023
65360S	TROS	7687S	6570	HYST	455035	658745	CLARK	415254	65922	FWD	416339
653632R91	IH	205017	6570LPD	JN-MN	471558	6588	ALOY	8139	65922	FWD	455031
65380	VIC	471763	657206	ALLCH	472924	6588LA	JN-MN	417269	65923	FWD	415150
65382	VIC	340356	65735	SABO	710551	658942	ALLCH	416470N	65924	FWD	455195
6538LA	JN-MN	416154	657516R91	IH	450291	6589428	ALLCH	415304	65924	FWD	472157
6538LPD	JN-MN	416154	657516R91	IH	471141	6589428	ALLCH	476470	65925	FWD	415263
65402S	TROS	411330N	6575S	TIMKE	6575S	659008	EATON	J1115	659258	WHITE	473226
654084C91	IH	410524	657605	CLARK	413469	659009	EATON	J1124	65926	FWD	416125
6541	C-R	481537	657606	CLARK	417073	659009	Y-T	J1124	65926	OLIVE	340495
6541	SKF	481537	657607	CLARK	411253	65901	FWD	470120	65927	FWD	415725
65418C1	IH	471765	657607	CLARK	450099	65901	FWD	471224	65928	FWD	50405
65441D	IH	470219	657608	CLARK	410102	659010	EATON	J1130	65930	FWD	417344
65441D	IH	471649	657609	CLARK	470682	659010	Y-T	J1130	65930	FWD	455006
65446	VIC	323138	657610	CLARK	450316	65902	FWD	416271	65931	FWD	472234
6545	TIMKE	6545	657610	CLARK	472636	65904	FWD	450352	65933	FWD	415027
654674R91	IH	200885	657611	CLARK	473447	65904	FWD	472164	65933	FWD	455027
654686	GMC	370012A	657612	CLARK	417498	65905	FWD	471870	65934	FWD	417191
654687	GMC	370021A	657613	CLARK	415449	65905	FWD	471883	65934	FWD	455165
6546LA	JN-MN	415281N	657613	CLARK	455147	65906	FWD	450117	65940	FWD	411394
6547	SHEP	450185	657614	CLARK	415995	65906	FWD	472572	65940	FWD	450317
6547	SHEP	473229	657614	CLARK	455013	65907	FWD	450365	65941	FWD	412040
6547LA	JN-MN	415034	657615	CLARK	455018	65907	FWD	470898	65942	FWD	415302
6547LA	JN-MN	455034	657615	CLARK	476470	6590S	TIMKE	6590S	65943	FWD	455005
6548	SHEP	450301	657616	CLARK	473242	65910	FWD	473475	65944	FWD	455018
6548	SHEP	472397	657617	CLARK	473245	659107R91	IH	471192	65944	FWD	476470
654805	ALLCH	417355	657621	CLARK	415960	659108R91	IH	450185	65946	FWD	415045
6548LA	JN-MN	450444	657621	CLARK	455009	659108R91	IH	473229	65948	FWD	416706
6548LA	JN-MN	471835	657622	CLARK	415007	659109R91	IH	471785	65948	FWD	455272
655340	ELRNG	224200	657623	CLARK	450183	65911	FWD	450313	65948	OLIVE	416706
65501S	TROS	9449	657623	CLARK	472179	659110R91	IH	412473	65948	OLIVE	455272
65512	DURA	7994S	657624	CLARK	416891	659110R91	IH	415894	65950	FWD	415234
65520S	TROS	470687	657625	CLARK	412119	659111R91	IH	450291	65952	FWD	472394
65546	VIC	323138	657625	CLARK	450101	659111R91	IH	471141	65953	FWD	481163
65549AX	OSHKO	417082	657628	CLARK	456105	659112R91	IH	470682	65955	FWD	455203
65549HX	OSHKO	417082	657629	CLARK	410520	659113R91	IH	471424	65955	OLIVE	455203
655512	CONCA	415991	657629	CLARK	471272	659114R91	IH	450185	65958	FWD	450115
655512	CONCA	455146	657630	CLARK	415991	659114R91	IH	473229	65958	FWD	473467
6556	C-R	481073	657630	CLARK	455146	659115R91	IH	471466	65959	FWD	455249
6556	SKF	481073	65779	SABO	710607	659116R91	IH	471785	659606	CLARK	415027
65566	AM WH	471391	657810	GMC	370009A	659118R91	IH	450291	659606	CLARK	455027
6557BGE	SABO	710092	657810	GMC	380009A	659118R91	IH	471141	65961	TROS	412725
6557T	BORGW	410308	657811	GMC	370024A	659124R91	IH	471192	65963	FWD	412040
6558693	CLARK	J1122	657812	GMC	370019A	659125R91	IH	416956	65964	FWD	410520
65589	WAUKE	415025	657813	GMC	370021A	65913	FWD	411253	65964	FWD	471272
6558963	CLARK	J1122	657814	GMC	370005A	65913	FWD	450099	65966	FWD	473450
6558R	JN-MN	473227	657815	GMC	370007A	65914	FWD	411376	659675	CLARK	471689
65598	SABO	710552	6580	C-R	481397	65914	FWD	455093	659675R91	IH	414045
6559R	JN-MN	471820	6580	SKF	481397	65914	OLIVE	411376	65970	FWD	323138
656160	ELRNG	710822	658114	ALLCH	415147N	65914	OLIVE	455093	65971	FWD	418028
65600D	IH	417539	658137R91	IH	416956	65916	FWD	415984	65971	FWD	455137
65601S	TROS	3945	65824	SABO	710603	65917	FWD	418028	659710R91	IH	412119
656115	Y-T	471466	6582LA	JN-MN	417512	65917	FWD	455137	65972	FWD	415281N
65628	CINMI	470682	6582LUP	JN-MN	417512	65918	FWD	415991	65973	FWD	55030
656520	GMC	452554N	6584	ALOY	7038SA	65918	FWD	455146	65977	AM WH	417171
6565N	TIMKE	6565N	6584	ALOY	7300S	65919	FWD	415991	6597S	TIMKE	6597S
65682	OLIVE	450341	6584S	TIMKE	6584S	65919	FWD	455146	65982	FWD	417316

INTERCHANGE SECTION

COMPETITIVE INTERCHANGES



Mfr No.	Mfr.	National	Mfr No.	Mfr.	National	Mfr No.	Mfr.	National	Mfr No.	Mfr.	National
65982	FWD	455004	65X1077	GARLK	473458	65X1189	GARLK	472492	65X1323	GARLK	450365
65982	JOHND	417316	65X109	GARLK	471529	65X1190	GARLK	450389	65X1323	GARLK	470898
65982	JOHND	455004	65X110	GARLK	471529	65X1190	GARLK	472492	65X1324	GARLK	450115
65983	FWD	416149	65X111	GARLK	471538	65X1191	GARLK	450389	65X1324	GARLK	473467
65983R91	IH	330385	65X1114	GARLK	472319	65X1191	GARLK	472492	65X1326	GARLK	450115
65986	FWD	415303	65X1115	GARLK	472319	65X1198	GARLK	472924	65X1326	GARLK	473467
65990	FWD	450365	65X1116	GARLK	472319	65X1199	GARLK	472924	65X1327	GARLK	472015
65990	FWD	470898	65X1117	GARLK	471869	65X1200	GARLK	450083	65X1328	GARLK	472015
659900R91	IH	455480	65X1117	GARLK	473459	65X1200	GARLK	472924	65X1329	GARLK	472015
659909R91	IH	417604	65X1118	GARLK	471869	65X1201	GARLK	470530	65X1330	GARLK	410308
65992	FWD	412119	65X1118	GARLK	473459	65X1202	GARLK	470530	65X1330	GARLK	450308
65992	FWD	450101	65X1119	GARLK	471869	65X1203	GARLK	450085	65X1331	GARLK	410308
65993	FWD	472070	65X1119	GARLK	473459	65X1203	GARLK	470530	65X1331	GARLK	450308
65994	FWD	481864	65X112	GARLK	471538	65X1204	GARLK	450301	65X1332	GARLK	410308
65995	FWD	416865	65X1120	GARLK	473241	65X1204	GARLK	472397	65X1332	GARLK	450308
65995	FWD	455070	65X1121	GARLK	473241	65X1205	GARLK	450301	65X1333	GARLK	410312N
65996	FWD	481864	65X1122	GARLK	473241	65X1205	GARLK	472397	65X1334	GARLK	410312N
65998	FWD	470219	65X1125	GARLK	450279	65X1206	GARLK	450301	65X1335	GARLK	410312N
65998	FWD	471649	65X1129	GARLK	472144	65X1206	GARLK	472397	65X1339	GARLK	450121
65W1	WHITE	412473	65X113	GARLK	471553	65X1207	GARLK	473463	65X1339	GARLK	472409
65W1	WHITE	415894	65X1130	GARLK	472144	65X1208	GARLK	473463	65X1340	GARLK	450121
65X100	GARLK	481537	65X1131	GARLK	472144	65X1209	GARLK	473463	65X1340	GARLK	472409
65X1042	GARLK	472439	65X1132	GARLK	473460	65X121	GARLK	470506	65X1341	GARLK	450121
65X1043	GARLK	472439	65X1133	GARLK	473460	65X1210	GARLK	473242	65X1341	GARLK	472409
65X1044	GARLK	472439	65X1134	GARLK	473460	65X1211	GARLK	473242	65X1345	GARLK	473243
65X1045	GARLK	471868	65X1135	GARLK	472394	65X1212	GARLK	473242	65X1346	GARLK	473243
65X1047	GARLK	471868	65X1136	GARLK	472394	65X1216	GARLK	450095	65X1347	GARLK	473243
65X1048	GARLK	450117	65X1137	GARLK	472394	65X1216	GARLK	473464	65X1348	GARLK	413469
65X1048	GARLK	472572	65X1138	GARLK	473461	65X1217	GARLK	450095	65X1349	GARLK	413469
65X1049	GARLK	450117	65X1139	GARLK	473461	65X1217	GARLK	473464	65X1350	GARLK	413469
65X1049	GARLK	472572	65X114	GARLK	450025	65X1218	GARLK	450095	65X1357	GARLK	416267
65X1050	GARLK	450117	65X114	GARLK	471553	65X1218	GARLK	473464	65X1358	GARLK	416267
65X1050	GARLK	472572	65X1140	GARLK	473461	65X122	GARLK	470506	65X1359	GARLK	416267
65X1051	GARLK	473179	65X1141	GARLK	471391	65X1252	GARLK	451948	65X1368	GARLK	470169
65X1052	GARLK	473179	65X1142	GARLK	471391	65X1253	GARLK	451948	65X1368	GARLK	473214
65X1053	GARLK	473179	65X1143	GARLK	471391	65X1254	GARLK	451948	65X1378	GARLK	450621
65X1054	GARLK	414045	65X1147	GARLK	450094	65X1255	GARLK	473466	65X1379	GARLK	450621
65X1055	GARLK	414045	65X1147	GARLK	473462	65X1257	GARLK	473466	65X1380	GARLK	450621
65X1056	GARLK	414045	65X1148	GARLK	450094	65X1258	GARLK	472012	65X1384	GARLK	450869
65X1057	GARLK	450082	65X1148	GARLK	473462	65X1259	GARLK	472012	65X1385	GARLK	450869
65X1057	GARLK	473238	65X1149	GARLK	450094	65X1260	GARLK	472012	65X1386	GARLK	450869
65X1058	GARLK	450082	65X1149	GARLK	473462	65X1261	GARLK	450307	65X1399	GARLK	450489
65X1058	GARLK	473238	65X115	GARLK	471579	65X1262	GARLK	450307	65X1399	GARLK	473244
65X1059	GARLK	473238	65X1150	GARLK	450472	65X1263	GARLK	450307	65X14	GARLK	330385
65X1060	GARLK	450084	65X1151	GARLK	450472	65X1264	GARLK	450311	65X1400	GARLK	450489
65X1062	GARLK	450084	65X1152	GARLK	450472	65X1265	GARLK	450311	65X1400	GARLK	473244
65X1063	GARLK	450298	65X116	GARLK	471579	65X1266	GARLK	450311	65X1401	GARLK	450489
65X1063	GARLK	473239	65X1162	GARLK	450474	65X1270	GARLK	416738	65X1401	GARLK	473244
65X1064	GARLK	450298	65X1163	GARLK	450474	65X1270	GARLK	450096	65X1402	GARLK	472018
65X1064	GARLK	473239	65X1164	GARLK	450474	65X1271	GARLK	416738	65X1403	GARLK	472018
65X1065	GARLK	450298	65X1165	GARLK	50528	65X1271	GARLK	450096	65X1404	GARLK	472018
65X1065	GARLK	473239	65X1166	GARLK	50528	65X1272	GARLK	416738	65X1405	GARLK	473471
65X1066	GARLK	473457	65X1167	GARLK	50528	65X1272	GARLK	450096	65X1406	GARLK	473471
65X1067	GARLK	473457	65X1186	GARLK	471870	65X1276	GARLK	450313	65X1407	GARLK	473471
65X1068	GARLK	473457	65X1186	GARLK	471883	65X1278	GARLK	450313	65X1408	GARLK	472020
65X1069	GARLK	473240	65X1187	GARLK	471870	65X13	GARLK	330385	65X1409	GARLK	472020
65X1070	GARLK	473240	65X1187	GARLK	471883	65X1321	GARLK	450867	65X1410	GARLK	472020
65X1071	GARLK	473240	65X1188	GARLK	471870	65X1321	GARLK	470898	65X1414	GARLK	470354
65X1075	GARLK	473458	65X1188	GARLK	471883	65X1322	GARLK	450867	65X1415	GARLK	470354
65X1076	GARLK	473458	65X1189	GARLK	450389	65X1322	GARLK	470898	65X1416	GARLK	470354

INTERCHANGE SECTION

COMPETITIVE INTERCHANGES

Mfr No.	Mfr.	National	Mfr No.	Mfr.	National	Mfr No.	Mfr.	National	Mfr No.	Mfr.	National
65X142	GARLK	470027	65X1501	GARLK	455136	65X1662	GARLK	413247	65X1813	GARLK	470605
65X142	GARLK	471554	65X1502	GARLK	455136	65X1662	GARLK	450350	65X1815	GARLK	470605
65X1420	GARLK	473245	65X1503	GARLK	455136	65X1663	GARLK	410987	65X1819	GARLK	415449
65X1421	GARLK	473245	65X1504	GARLK	411376	65X1663	GARLK	450103	65X1819	GARLK	455147
65X1422	GARLK	470351	65X1504	GARLK	455093	65X1664	GARLK	410987	65X1820	GARLK	415449
65X1422	GARLK	471504	65X1505	GARLK	411376	65X1665	GARLK	410987	65X1821	GARLK	415449
65X1423	GARLK	412943	65X1505	GARLK	455093	65X1665	GARLK	450103	65X1821	GARLK	455147
65X1424	GARLK	412943	65X1506	GARLK	411376	65X1666	GARLK	416271	65X1822	GARLK	415001
65X1425	GARLK	412943	65X1506	GARLK	455093	65X1667	GARLK	416271	65X1822	GARLK	455001
65X1426	GARLK	413472	65X153	GARLK	470390	65X1668	GARLK	416271	65X1823	GARLK	415001
65X1428	GARLK	413472	65X154	GARLK	470390	65X1672	GARLK	410825	65X1823	GARLK	455001
65X143	GARLK	471567	65X155	GARLK	473407	65X1673	GARLK	410825	65X1824	GARLK	415001
65X1432	GARLK	416268	65X156	GARLK	473407	65X1674	GARLK	410825	65X1824	GARLK	455001
65X1434	GARLK	416268	65X1561	GARLK	472150	65X1675	GARLK	416071	65X1825	GARLK	416273
65X144	GARLK	471567	65X1562	GARLK	472150	65X1676	GARLK	416071	65X1826	GARLK	416273
65X145	GARLK	471498	65X1563	GARLK	472150	65X1677	GARLK	416071	65X1827	GARLK	416273
65X146	GARLK	471498	65X1573	GARLK	411394	65X1678	GARLK	417480	65X1828	GARLK	455079
65X147	GARLK	471643	65X1573	GARLK	450317	65X1678	GARLK	455860	65X1829	GARLK	455079
65X1471	GARLK	471341	65X1574	GARLK	411394	65X1679	GARLK	417480	65X1830	GARLK	455079
65X1472	GARLK	471341	65X1574	GARLK	450317	65X1679	GARLK	455860	65X1831	GARLK	415082
65X1473	GARLK	450441	65X1575	GARLK	411394	65X1680	GARLK	417480	65X1832	GARLK	415082
65X1473	GARLK	471341	65X1575	GARLK	450317	65X1680	GARLK	455860	65X1833	GARLK	415082
65X1474	GARLK	410520	65X1576	GARLK	410694	65X17	GARLK	471103	65X1834	GARLK	455655
65X1474	GARLK	471272	65X1577	GARLK	410694	65X17	GARLK	50197S	65X1835	GARLK	455655
65X1475	GARLK	410520	65X1578	GARLK	410694	65X1723	GARLK	471887	65X1836	GARLK	455655
65X1475	GARLK	471272	65X1580	GARLK	450133	65X1724	GARLK	471887	65X1927	GARLK	412871
65X1476	GARLK	410520	65X1581	GARLK	450133	65X1725	GARLK	471887	65X1927	GARLK	450329
65X1476	GARLK	471272	65X1585	GARLK	416444	65X1735	GARLK	412040	65X1930	GARLK	412871
65X1477	GARLK	473473	65X1586	GARLK	416444	65X1736	GARLK	412040	65X1930	GARLK	450329
65X1478	GARLK	473473	65X1587	GARLK	416444	65X1737	GARLK	412040	65X1931	GARLK	412871
65X1479	GARLK	473473	65X1594	GARLK	455321	65X1738	GARLK	411500	65X1931	GARLK	450329
65X1480	GARLK	471138	65X1595	GARLK	455321	65X1739	GARLK	411500	65X1932	GARLK	412871
65X1481	GARLK	471138	65X1596	GARLK	455321	65X1740	GARLK	411500	65X1932	GARLK	450329
65X1482	GARLK	471138	65X16	GARLK	350156	65X1741	GARLK	413478	65X1933	GARLK	413248
65X1486	GARLK	410737	65X16	GARLK	473096	65X1742	GARLK	413478	65X1934	GARLK	413248
65X1486	GARLK	450737	65X1639	GARLK	473474	65X1743	GARLK	413478	65X1935	GARLK	413248
65X1487	GARLK	410737	65X1640	GARLK	473474	65X1744	GARLK	450104	65X1936	GARLK	450412
65X1487	GARLK	450737	65X1641	GARLK	473474	65X1745	GARLK	450104	65X1937	GARLK	450412
65X1488	GARLK	410737	65X1642	GARLK	470565	65X1746	GARLK	450104	65X1938	GARLK	450412
65X1488	GARLK	450737	65X1643	GARLK	470565	65X1747	GARLK	411245	65X1939	GARLK	415483
65X1492	GARLK	472636	65X1644	GARLK	470565	65X1747	GARLK	455096	65X1939	GARLK	455368
65X1493	GARLK	472636	65X1648	GARLK	473475	65X1748	GARLK	411245	65X1940	GARLK	415483
65X1494	GARLK	450316	65X1649	GARLK	473475	65X1748	GARLK	455096	65X1940	GARLK	455368
65X1494	GARLK	472636	65X1650	GARLK	473475	65X1749	GARLK	411245	65X1941	GARLK	415483
65X1495	GARLK	411253	65X1654	GARLK	413246	65X1749	GARLK	455096	65X1941	GARLK	455368
65X1495	GARLK	450099	65X1654	GARLK	413246N	65X1750	GARLK	417073	65X1945	GARLK	415458
65X1496	GARLK	411253	65X1655	GARLK	413246	65X1751	GARLK	417073	65X1945	GARLK	455003
65X1496	GARLK	450099	65X1655	GARLK	413246N	65X1752	GARLK	417073	65X1946	GARLK	415458
65X1497	GARLK	411253	65X1656	GARLK	413246	65X18	GARLK	471103	65X1946	GARLK	455003
65X1497	GARLK	450099	65X1656	GARLK	413246N	65X18	GARLK	50197S	65X1947	GARLK	415458
65X1498	GARLK	412920	65X1657	GARLK	412119	65X1801	GARLK	472029	65X1947	GARLK	455003
65X1498	GARLK	450132	65X1657	GARLK	450101	65X1802	GARLK	472029	65X1948	GARLK	417343
65X1499	GARLK	412920	65X1658	GARLK	412119	65X1803	GARLK	472029	65X1949	GARLK	417343
65X1499	GARLK	450132	65X1658	GARLK	450101	65X1807	GARLK	471271	65X195	GARLK	473414
65X15	GARLK	350156	65X1659	GARLK	412119	65X1808	GARLK	471271	65X1950	GARLK	417343
65X15	GARLK	473096	65X1659	GARLK	450101	65X1809	GARLK	450519	65X1951	GARLK	415007
65X150	GARLK	471684	65X1660	GARLK	413247	65X1809	GARLK	471271	65X1952	GARLK	415007
65X150	GARLK	471698	65X1660	GARLK	450350	65X1810	GARLK	410496	65X1953	GARLK	415007
65X1500	GARLK	412920	65X1661	GARLK	413247	65X1811	GARLK	410496	65X1954	GARLK	417082
65X1500	GARLK	450132	65X1661	GARLK	450350	65X1812	GARLK	410496	65X1955	GARLK	417082

INTERCHANGE SECTION

COMPETITIVE INTERCHANGES



Mfr No.	Mfr. National	Mfr No.	Mfr. National	Mfr No.	Mfr. National	Mfr No.	Mfr. National
65X1956	GARLK 417082	65X2121	GARLK 455355	65X2225	GARLK 417621	65X2363	GARLK 455471
65X196	GARLK 473414	65X2122	GARLK 417158	65X2226	GARLK 416011	65X2365	GARLK 455471
65X199	GARLK 473414	65X2122	GARLK 455355	65X2226	GARLK 417621	65X2366	GARLK 415991
65X1993	GARLK 455434	65X2123	GARLK 417158	65X2228	GARLK 416288	65X2366	GARLK 455146
65X1994	GARLK 455434	65X2123	GARLK 455355	65X223	GARLK 471137	65X2367	GARLK 415991
65X1995	GARLK 455434	65X2124	GARLK 416921	65X2231	GARLK 417171	65X2367	GARLK 455146
65X200	GARLK 473414	65X2124	GARLK 455011	65X2234	GARLK 417172	65X2368	GARLK 415991
65X2002	GARLK 455151	65X2125	GARLK 416921	65X2236	GARLK 417172	65X2368	GARLK 455146
65X2003	GARLK 455151	65X2125	GARLK 455011	65X2237	GARLK 416297	65X2369	GARLK 417196
65X2004	GARLK 455151	65X2126	GARLK 416921	65X224	GARLK 471137	65X2371	GARLK 417196
65X2005	GARLK 455008	65X2126	GARLK 455011	65X2246	GARLK 415021	65X2372	GARLK 415437
65X2006	GARLK 455008	65X213	GARLK 471267	65X2249	GARLK 456105	65X2374	GARLK 415437
65X2007	GARLK 455008	65X214	GARLK 471267	65X225	GARLK 471730	65X2374	GARLK 455173
65X203	GARLK 473415	65X2146	GARLK 416956	65X2252	GARLK 417490	65X2375	GARLK 415437
65X2032	GARLK 480491	65X2147	GARLK 416956	65X2254	GARLK 417490	65X2375	GARLK 455173
65X2033	GARLK 480491	65X2148	GARLK 416956	65X2255	GARLK 455336	65X2378	GARLK 415027
65X2034	GARLK 480491	65X2149	GARLK 417159	65X2257	GARLK 455336	65X2380	GARLK 415027
65X2035	GARLK 416664	65X215	GARLK 471570	65X226	GARLK 471730	65X2381	GARLK 417495
65X2035	GARLK 455364	65X2150	GARLK 417159	65X2260	GARLK 6358	65X2384	GARLK 415559
65X2036	GARLK 416664	65X2151	GARLK 417159	65X2261	GARLK 417490	65X2386	GARLK 415559
65X2036	GARLK 455364	65X2152	GARLK 416654	65X2267	GARLK 455022	65X2390	GARLK 417496
65X2037	GARLK 416664	65X2152	GARLK 455012	65X2270	GARLK 476470	65X2392	GARLK 417496
65X2037	GARLK 455364	65X2153	GARLK 416654	65X2271	GARLK 476470	65X2393	GARLK 415711
65X2038	GARLK 417484N	65X2153	GARLK 455012	65X2272	GARLK 455018	65X2396	GARLK 417497
65X2038	GARLK 455322	65X2154	GARLK 416654	65X2272	GARLK 476470	65X2399	GARLK 417498
65X2039	GARLK 417484N	65X2154	GARLK 455012	65X2273	GARLK 417181	65X2402	GARLK 55028
65X2039	GARLK 455322	65X2155	GARLK 417486	65X2276	GARLK 418028	65X2417	GARLK 416047
65X204	GARLK 473415	65X2156	GARLK 417486	65X2276	GARLK 455137	65X2417	GARLK 416332
65X2040	GARLK 417484N	65X216	GARLK 471570	65X2278	GARLK 418028	65X2419	GARLK 416047
65X2040	GARLK 455322	65X2168	GARLK 415281N	65X2278	GARLK 455137	65X2419	GARLK 416332
65X2041	GARLK 415984	65X2169	GARLK 415281N	65X2279	GARLK 417353	65X2420	GARLK 415937
65X2042	GARLK 415984	65X217	GARLK 471633	65X2282	GARLK 456305	65X2423	GARLK 417355
65X2043	GARLK 415984	65X2170	GARLK 415281N	65X2284	GARLK 456305	65X2426	GARLK 416125
65X2044	GARLK 417316	65X2171	GARLK 417350	65X2288	GARLK 415023	65X2432	GARLK 417499
65X2044	GARLK 455004	65X2171	GARLK 455479	65X229	GARLK 470645	65X2435	GARLK 415832
65X2045	GARLK 417316	65X2172	GARLK 417350	65X2294	GARLK 455328	65X2441	GARLK 417501
65X2045	GARLK 455004	65X2172	GARLK 455479	65X230	GARLK 470645	65X2447	GARLK 55030
65X2046	GARLK 417316	65X2173	GARLK 417350	65X2300	GARLK 415085	65X2453	GARLK 416670
65X2046	GARLK 455004	65X2173	GARLK 455479	65X2300	GARLK 456648	65X2459	GARLK 417502
65X2047	GARLK 415960	65X2174	GARLK 415995	65X2312	GARLK 455024	65X2462	GARLK 415379
65X2047	GARLK 455009	65X2174	GARLK 455013	65X2321	GARLK 412473	65X2462	GARLK 455379
65X2048	GARLK 415960	65X2175	GARLK 415995	65X2321	GARLK 415894	65X2464	GARLK 415379
65X2048	GARLK 455009	65X2175	GARLK 455013	65X2323	GARLK 412473	65X2464	GARLK 455379
65X2049	GARLK 415960	65X2176	GARLK 415995	65X2323	GARLK 415894	65X2465	GARLK 417205
65X2049	GARLK 455009	65X2176	GARLK 455013	65X2324	GARLK 417191	65X2468	GARLK 416339
65X2050	GARLK 416706	65X2177	GARLK 417351	65X2324	GARLK 455165	65X2470	GARLK 416339
65X2050	GARLK 455272	65X2177	GARLK 455154	65X2325	GARLK 417191	65X2474	GARLK 415150
65X2051	GARLK 416706	65X2178	GARLK 417351	65X2325	GARLK 455165	65X2476	GARLK 415150
65X2051	GARLK 455272	65X2178	GARLK 455154	65X2326	GARLK 417191	65X2477	GARLK 416127
65X2052	GARLK 416706	65X218	GARLK 471633	65X2326	GARLK 455165	65X2480	GARLK 417503
65X2052	GARLK 455272	65X2180	GARLK 415086N	65X2327	GARLK 417354	65X2501	GARLK 417211
65X2115	GARLK 415303	65X2180	GARLK 417487	65X2329	GARLK 417354	65X2504	GARLK 416345
65X2117	GARLK 415303	65X2182	GARLK 417487	65X2330	GARLK 416321	65X2507	GARLK 415697
65X2118	GARLK 417344	65X2182	GARLK 455014	65X2336	GARLK 415025	65X2507	GARLK 455547
65X2118	GARLK 455006	65X2183	GARLK 417488	65X2342	GARLK 416327	65X251	GARLK 471571
65X2119	GARLK 417344	65X219	GARLK 471646	65X2345	GARLK 55419	65X2510	GARLK 417366
65X2119	GARLK 455006	65X220	GARLK 471646	65X2348	GARLK 417493	65X2513	GARLK 415958
65X2120	GARLK 417344	65X221	GARLK 470590	65X2354	GARLK 417494	65X2513	GARLK 455958
65X2120	GARLK 455006	65X222	GARLK 470590	65X2356	GARLK 417494	65X2516	GARLK 417505
65X2121	GARLK 417158	65X2225	GARLK 416011	65X2357	GARLK 455026	65X2519	GARLK 415304

INTERCHANGE SECTION

COMPETITIVE INTERCHANGES

Mfr No.	Mfr.	National	Mfr No.	Mfr.	National	Mfr No.	Mfr.	National	Mfr No.	Mfr.	National
65X2519	GARLK	476470	65X2684	GARLK	456141	65X2922	GARLK	416865	65X3396	GARLK	455480
65X252	GARLK	471571	65X2687	GARLK	455197N	65X2922	GARLK	455070	65X3402	GARLK	417562
65X2521	GARLK	415304	65X2699	GARLK	416144	65X2923	GARLK	416865	65X3405	GARLK	417562
65X2521	GARLK	476470	65X2705	GARLK	417238	65X2924	GARLK	417278	65X3421	GARLK	417563
65X2525	GARLK	455191	65X2711	GARLK	415196	65X2926	GARLK	417278	65X3423	GARLK	417563
65X2527	GARLK	455191	65X2712	GARLK	415196	65X2927	GARLK	417541	65X3424	GARLK	417563
65X2528	GARLK	415263	65X2717	GARLK	415047	65X2929	GARLK	417541	65X3426	GARLK	415294
65X2531	GARLK	417506	65X2723	GARLK	416149	65X2933	GARLK	417542	65X3426	GARLK	455294
65X2537	GARLK	415035	65X2729	GARLK	415060	65X2936	GARLK	417543	65X3434	GARLK	416229
65X2537	GARLK	415953	65X2738	GARLK	417525	65X2951	GARLK	417545	65X3435	GARLK	416229
65X2539	GARLK	415035	65X2740	GARLK	417525	65X2993	GARLK	417258	65X3444	GARLK	417298
65X2539	GARLK	415953	65X2744	GARLK	417526	65X2996	GARLK	417546	65X3445	GARLK	417298
65X2540	GARLK	417356	65X2750	GARLK	415351	65X2998	GARLK	417546	65X3460	GARLK	415327
65X2540	GARLK	455188	65X2753	GARLK	416888	65X2999	GARLK	417547	65X3464	GARLK	417596
65X2541	GARLK	417356	65X2754	GARLK	416888	65X3001	GARLK	417547	65X3474	GARLK	455948
65X2541	GARLK	455188	65X2754	GARLK	455200	65X3032	GARLK	417548	65X3482	GARLK	455584
65X2543	GARLK	417357	65X2755	GARLK	416888	65X3059	GARLK	417262	65X3483	GARLK	455584
65X2543	GARLK	455192	65X2755	GARLK	455200	65X3065	GARLK	415645	65X3492	GARLK	416364
65X2544	GARLK	417357	65X2756	GARLK	416153	65X3065	GARLK	455104	65X3496	GARLK	417597
65X2544	GARLK	455192	65X2759	GARLK	416892	65X3067	GARLK	415645	65X35	GARLK	472810
65X2546	GARLK	416130	65X2760	GARLK	416892	65X3067	GARLK	455104	65X3501	GARLK	416239
65X2549	GARLK	415036	65X2761	GARLK	416892	65X3071	GARLK	417549	65X3504	GARLK	417564
65X255	GARLK	471647	65X2762	GARLK	417531	65X3122	GARLK	417551	65X351	GARLK	471652
65X2550	GARLK	415036	65X2765	GARLK	416154	65X3125	GARLK	455576	65X3518	GARLK	416044
65X2552	GARLK	417507	65X2766	GARLK	416154	65X3128	GARLK	415938	65X352	GARLK	471652
65X2552	GARLK	455513	65X2767	GARLK	416154	65X3130	GARLK	415938	65X3526	GARLK	415116
65X2555	GARLK	415041	65X2768	GARLK	416070	65X3131	GARLK	417554	65X3527	GARLK	415116
65X2556	GARLK	415041	65X2771	GARLK	415351	65X3176	GARLK	417254	65X353	GARLK	470189
65X256	GARLK	471647	65X2774	GARLK	417532	65X3179	GARLK	417360	65X353	GARLK	471692
65X2561	GARLK	417509	65X2780	GARLK	417533	65X3182	GARLK	416107	65X354	GARLK	470189
65X2567	GARLK	417223	65X2786	GARLK	417534	65X3184	GARLK	416107	65X354	GARLK	471692
65X2568	GARLK	417223	65X2792	GARLK	457585	65X3184	GARLK	455073	65X355	GARLK	470045
65X2569	GARLK	417223	65X2801	GARLK	415371	65X3185	GARLK	417361	65X355	GARLK	476838
65X2579	GARLK	455037	65X2804	GARLK	455685	65X323	GARLK	471651	65X356	GARLK	470045
65X2600	GARLK	417511	65X2807	GARLK	416158	65X324	GARLK	471651	65X356	GARLK	476838
65X2603	GARLK	415142	65X2809	GARLK	416158	65X325	GARLK	471705	65X357	GARLK	470712
65X2605	GARLK	415142	65X2813	GARLK	415064	65X326	GARLK	471705	65X358	GARLK	470712
65X2609	GARLK	417512	65X2837	GARLK	415138	65X327	GARLK	450043	65X359	GARLK	471763
65X2610	GARLK	417512	65X2838	GARLK	415138	65X327	GARLK	473419	65X36	GARLK	472810
65X2615	GARLK	415043	65X2839	GARLK	415138	65X3275	GARLK	417362	65X360	GARLK	471763
65X2621	GARLK	455203	65X2840	GARLK	417538	65X3278	GARLK	417363	65X361	GARLK	471785
65X2627	GARLK	455056	65X2843	GARLK	417247	65X328	GARLK	450043	65X362	GARLK	471785
65X2630	GARLK	455194	65X2845	GARLK	417247	65X328	GARLK	473419	65X363	GARLK	471736
65X2636	GARLK	417513	65X2846	GARLK	417252	65X3281	GARLK	416666	65X364	GARLK	471736
65X2642	GARLK	417514	65X2849	GARLK	415066	65X3283	GARLK	416666	65X365	GARLK	473428
65X2648	GARLK	417515	65X2873	GARLK	416167	65X3284	GARLK	417364	65X366	GARLK	473428
65X2654	GARLK	417516	65X2873	GARLK	455091	65X329	GARLK	471735	65X367	GARLK	450161
65X2657	GARLK	455195	65X2875	GARLK	416167	65X3293	GARLK	416039	65X367	GARLK	471764
65X2657	GARLK	472157	65X2875	GARLK	455091	65X330	GARLK	471735	65X368	GARLK	450161
65X2659	GARLK	416556	65X2876	GARLK	417267	65X331	GARLK	450342	65X368	GARLK	471764
65X2659	GARLK	472157	65X2879	GARLK	417269	65X332	GARLK	450342	65X369	GARLK	473427
65X2660	GARLK	415196	65X2881	GARLK	417269	65X333	GARLK	471762	65X370	GARLK	473427
65X2663	GARLK	416891	65X2894	GARLK	417539	65X334	GARLK	471762	65X374	GARLK	450362
65X2664	GARLK	416891	65X2900	GARLK	417273	65X3347	GARLK	417780	65X376	GARLK	450362
65X2666	GARLK	416135	65X2901	GARLK	417273	65X335	GARLK	473420	65X383	GARLK	472475
65X2669	GARLK	415045	65X2903	GARLK	417540	65X336	GARLK	473420	65X384	GARLK	472475
65X2671	GARLK	415045	65X2915	GARLK	415725	65X3375	GARLK	455330	65X385	GARLK	473426
65X2675	GARLK	416137	65X2917	GARLK	415725	65X3377	GARLK	455330	65X386	GARLK	473426
65X2678	GARLK	417518	65X2918	GARLK	417584	65X3384	GARLK	415074	65X3863	GARLK	350435
65X2681	GARLK	415058	65X2921	GARLK	416865	65X3394	GARLK	455480	65X387	GARLK	471765

INTERCHANGE SECTION

COMPETITIVE INTERCHANGES



Mfr No.	Mfr. National	Mfr No.	Mfr. National	Mfr No.	Mfr. National	Mfr No.	Mfr. National
65X3872	GARLK 471747	65X535	GARLK 470403	65X644	GARLK 470548	65X726	GARLK 450273
65X3872	GARLK 472674	65X535	GARLK 470774	65X644	GARLK 470625	65X732	GARLK 451817
65X3873	GARLK 471747	65X536	GARLK 470403	65X645	GARLK 470548	65X733	GARLK 450065
65X3873	GARLK 472674	65X536	GARLK 470774	65X645	GARLK 470625	65X734	GARLK 450065
65X3876	GARLK 473425	65X537	GARLK 470403	65X646	GARLK 470059	65X735	GARLK 450065
65X388	GARLK 471765	65X537	GARLK 470774	65X646	GARLK 470380	65X739	GARLK 482253
65X3880	GARLK 471344	65X538	GARLK 472287	65X647	GARLK 470059	65X740	GARLK 482253
65X3883	GARLK 473442	65X539	GARLK 472287	65X647	GARLK 470380	65X741	GARLK 482253
65X3885	GARLK 470088	65X54	GARLK 471472	65X648	GARLK 470059	65X742	GARLK 451469
65X389	GARLK 471354	65X540	GARLK 472287	65X648	GARLK 470380	65X743	GARLK 451469
65X390	GARLK 471354	65X541	GARLK 471192	65X649	GARLK 471820	65X744	GARLK 451469
65X3904	GARLK 472234	65X542	GARLK 471192	65X650	GARLK 471820	65X751	GARLK 450274
65X3905	GARLK 472234	65X543	GARLK 471192	65X651	GARLK 471820	65X753	GARLK 450274
65X3906	GARLK 472234	65X544	GARLK 470169	65X655	GARLK 473228	65X760	GARLK 470358
65X394	GARLK 473205	65X544	GARLK 473214	65X655	GARLK 51098	65X760	GARLK 473231
65X395	GARLK 473205	65X545	GARLK 470169	65X656	GARLK 473228	65X761	GARLK 470358
65X396	GARLK 473205	65X545	GARLK 473214	65X656	GARLK 51098	65X761	GARLK 473231
65X397	GARLK 474255	65X546	GARLK 470169	65X657	GARLK 450067	65X762	GARLK 470358
65X398	GARLK 474255	65X546	GARLK 473214	65X657	GARLK 473228	65X762	GARLK 473231
65X399	GARLK 474255	65X547	GARLK 473215	65X658	GARLK 451857	65X763	GARLK 450066
65X424	GARLK 471750	65X548	GARLK 473215	65X659	GARLK 451857	65X763	GARLK 473367
65X425	GARLK 471750	65X549	GARLK 473215	65X660	GARLK 451857	65X764	GARLK 450066
65X426	GARLK 471750	65X55	GARLK 471549	65X661	GARLK 470487N	65X764	GARLK 473367
65X427	GARLK 471766	65X550	GARLK 470950	65X663	GARLK 470487N	65X765	GARLK 450066
65X428	GARLK 470163	65X550	GARLK 6241S	65X664	GARLK 473440	65X765	GARLK 473367
65X428	GARLK 471766	65X551	GARLK 470950	65X665	GARLK 473440	65X769	GARLK 450194
65X43	GARLK 320457	65X551	GARLK 6241S	65X666	GARLK 473440	65X769	GARLK 473010
65X430	GARLK 471787	65X552	GARLK 470950	65X67	GARLK 471281	65X77	GARLK 471532
65X431	GARLK 471787	65X552	GARLK 6241S	65X68	GARLK 471281	65X770	GARLK 450194
65X433	GARLK 450177	65X556	GARLK 450444	65X69	GARLK 471535	65X770	GARLK 473010
65X434	GARLK 450177	65X556	GARLK 471835	65X70	GARLK 471535	65X771	GARLK 450194
65X435	GARLK 450177	65X557	GARLK 450444	65X700	GARLK 472213	65X771	GARLK 473010
65X436	GARLK 471795	65X557	GARLK 471835	65X701	GARLK 472213	65X772	GARLK 450069
65X437	GARLK 471795	65X558	GARLK 450444	65X702	GARLK 472213	65X772	GARLK 473232
65X438	GARLK 471795	65X558	GARLK 471835	65X703	GARLK 472299	65X773	GARLK 450069
65X439	GARLK 471801	65X559	GARLK 472843	65X704	GARLK 472299	65X773	GARLK 473232
65X44	GARLK 320457	65X56	GARLK 471549	65X705	GARLK 472299	65X774	GARLK 450069
65X440	GARLK 471801	65X560	GARLK 472843	65X706	GARLK 470064	65X774	GARLK 473232
65X441	GARLK 471801	65X561	GARLK 472843	65X706	GARLK 471821	65X775	GARLK 481864
65X442	GARLK 471808	65X592	GARLK 473224	65X707	GARLK 470064	65X776	GARLK 481864
65X443	GARLK 471808	65X593	GARLK 473224	65X707	GARLK 471821	65X777	GARLK 481864
65X444	GARLK 471808	65X594	GARLK 473224	65X708	GARLK 471821	65X778	GARLK 474274
65X445	GARLK 471818	65X595	GARLK 473016	65X71	GARLK 471551	65X779	GARLK 474274
65X446	GARLK 471818	65X596	GARLK 473016	65X712	GARLK 450185	65X78	GARLK 471532
65X447	GARLK 471818	65X597	GARLK 473016	65X712	GARLK 473229	65X780	GARLK 474274
65X448	GARLK 470050	65X598	GARLK 473225	65X713	GARLK 450185	65X781	GARLK 450275
65X449	GARLK 470050	65X599	GARLK 473225	65X713	GARLK 473229	65X782	GARLK 450275
65X45	GARLK 470004	65X600	GARLK 473225	65X714	GARLK 450185	65X783	GARLK 450275
65X450	GARLK 470050	65X601	GARLK 470062	65X714	GARLK 473229	65X787	GARLK 450078
65X451	GARLK 473424	65X601	GARLK 474264	65X715	GARLK 470682	65X787	GARLK 473444
65X452	GARLK 473424	65X602	GARLK 470062	65X716	GARLK 470682	65X788	GARLK 450078
65X4584	GARLK 472658	65X602	GARLK 474264	65X717	GARLK 470682	65X788	GARLK 473444
65X4584	GARLK 473197	65X603	GARLK 470062	65X718	GARLK 471316	65X789	GARLK 450078
65X46	GARLK 470004	65X603	GARLK 474264	65X72	GARLK 471551	65X789	GARLK 473444
65X4677	GARLK 472560N	65X607	GARLK 473226	65X720	GARLK 471316	65X79	GARLK 473405
65X4677	GARLK 50151S	65X608	GARLK 473226	65X721	GARLK 473441	65X7953	GARLK 415577
65X49	GARLK 471442	65X609	GARLK 473226	65X722	GARLK 473441	65X80	GARLK 473405
65X50	GARLK 471442	65X628	GARLK 473419	65X723	GARLK 473441	65X81	GARLK 471558
65X51	GARLK 471526	65X643	GARLK 470548	65X724	GARLK 450273	65X82	GARLK 471558
65X53	GARLK 471472	65X643	GARLK 470625	65X725	GARLK 450273	65X829	GARLK 473445

INTERCHANGE SECTION

COMPETITIVE INTERCHANGES

Mfr No.	Mfr.	National	Mfr No.	Mfr.	National	Mfr No.	Mfr.	National	Mfr No.	Mfr.	National
65X830	GARLK	473445	65X919	GARLK	50289	6600097	EATON	415327	6622	ALOY	8871
65X831	GARLK	473445	65X92	GARLK	471255	660009700	EATON	415327	6622	C-R	221720
65X835	GARLK	450154	65X920	GARLK	470334	6600140	EATON	415551	6622	C-R	481481
65X835	GARLK	473234	65X920	GARLK	50289	660014000	EATON	415551	6622	SKF	221720
65X836	GARLK	450154	65X921	GARLK	470334	6600282	EATON	8907	6622	SKF	481481
65X836	GARLK	473234	65X921	GARLK	50289	660028200	EATON	8907	66220	TROS	9161
65X837	GARLK	450154	65X922	GARLK	450291	6600580	EATON	415035	6624	C-R	221720
65X837	GARLK	473234	65X922	GARLK	471141	6600692	EATON	416362	6624	SKF	221720
65X838	GARLK	473235	65X923	GARLK	450291	660069200	EATON	416362	66241	C-R	417298
65X839	GARLK	473235	65X923	GARLK	471141	6601000	LF-PT	471688	66241	SKF	417298
65X840	GARLK	473235	65X924	GARLK	450291	6602556	EATON	417283	66242	VIC	350414
65X841	GARLK	470074	65X924	GARLK	471141	660389	CLARK	472179	66242	VIC	472311
65X841	GARLK	474265	65X925	GARLK	473448	660469R91	IH	472439	66245	VIC	471224
65X842	GARLK	470074	65X926	GARLK	473448	660496	CLARK	40652S	66247	VIC	471649
65X842	GARLK	474265	65X927	GARLK	473448	6605	ALOY	2689S	662535	ALLCH	410520
65X843	GARLK	470074	65X928	GARLK	471984	66051	VIC	471442	662535	ALLCH	471272
65X843	GARLK	474265	65X929	GARLK	471984	66054	CATER	8650S	662654	CLARK	417316
65X844	GARLK	473236	65X93	GARLK	471564	660544	STUDE	470358	6626S	TIMKE	6626S
65X845	GARLK	473236	65X930	GARLK	471984	660544	STUDE	473231	662902	CLARK	415147
65X846	GARLK	473236	65X931	GARLK	473313	6606	ALOY	8871	662902	CLARK	415449
65X853	GARLK	473446	65X932	GARLK	473313	6610	C-R	221710	6630	C-R	221730
65X854	GARLK	473446	65X933	GARLK	473313	6610	SKF	221710	6630	SKF	221730
65X855	GARLK	473446	65X94	GARLK	471564	66101	VIC	471255	663004R91	IH	204013
65X859	GARLK	471981	65X940	GARLK	50266	661021	HU-WR	450083	663041R91	IH	472432
65X860	GARLK	471981	65X941	GARLK	50266	661021	HU-WR	472924	663041R91	IH	474256
65X861	GARLK	471981	65X942	GARLK	50266	6611	C-R	221710	663042R91	IH	450441
65X87	GARLK	471466	65X943	GARLK	450269	6611	SKF	221710	663042R91	IH	471341
65X88	GARLK	471466	65X944	GARLK	450269	661185R91	IH	472432	663043R91	IH	415697
65X898	GARLK	470351	65X945	GARLK	450269	661185R91	IH	474256	663043R91	IH	455547
65X898	GARLK	471504	65X946	GARLK	450285	66121	TROS	6815	663044R91	IH	414045
65X899	GARLK	470351	65X947	GARLK	450285	66122S	TROS	9150S	663045R91	IH	472439
65X899	GARLK	471504	65X948	GARLK	450285	66123	GRAY	450084	66318	VIC	476838
65X900	GARLK	470351	65X949	GARLK	471866	66123	TROS	472258	6633	C-R	221730
65X900	GARLK	471504	65X95	GARLK	471612	66123	TROS	480570	6633	SKF	221730
65X904	GARLK	450494	65X950	GARLK	471866	66124	GRAY	411253	663325	US-EL	472341
65X904	GARLK	472164	65X951	GARLK	471866	66124	GRAY	450099	663379	VIC	370006A
65X905	GARLK	451147H	65X97	GARLK	481528	66126	GRAY	471137	663379	WHITE	370006A
65X906	GARLK	450352	65X9722	GARLK	470548	66126	VIC	470954	663379D6	DIA	370006A
65X906	GARLK	472164	65X9722	GARLK	470625	66126K4	GE	470954	6633R	JN-MN	417603
65X907	GARLK	450070	65X976	GARLK	472070	6612S	TIMKE	6612S	663476	GMC	370012A
65X907	GARLK	472185	65X977	GARLK	472070	661309	STUDE	45637S	663477	GMC	370018A
65X908	GARLK	450070	65X978	GARLK	472070	66135	VIC	471554	663478	GMC	370005A
65X908	GARLK	472185	65X979	GARLK	471866	661350R91	IH	450441	663480	GMC	370021A
65X909	GARLK	450070	65X98	GARLK	481528	661350R91	IH	471341	663482	GMC	370007A
65X909	GARLK	472185	65X980	GARLK	471866	66140	VIC	471643	663484	GMC	370010A
65X91	GARLK	471255	65X981	GARLK	471866	661504	CLARK	416011	663485	GMC	370005A
65X910	GARLK	470334	65X982	GARLK	450118	661504	CLARK	417621	663486	GMC	370021A
65X911	GARLK	470334	65X982	GARLK	473449	661875R91	IH	204002	663487	GMC	370024A
65X912	GARLK	450076	65X983	GARLK	450118	661876R91	IH	204002	663512	B-L-H	415938
65X912	GARLK	470334	65X983	GARLK	473449	66193	VIC	471267	663512	MINMA	415938
65X913	GARLK	450183	65X984	GARLK	450118	66196	VIC	471570	663512A	BUC-E	415938
65X913	GARLK	472179	65X984	GARLK	473449	662	C-R	5MR1008	663566R91	IH	473215
65X914	GARLK	450183	65X987	GARLK	480281	662	SKF	5MR1008	663567R91	IH	415379
65X914	GARLK	472179	65X988	GARLK	450269	6620	ALOY	1209	663567R91	IH	455379
65X915	GARLK	450183	65X989	GARLK	450269	6620	C-R	221720	663568R91	IH	415379
65X915	GARLK	472179	65X990	GARLK	450269	6620	SKF	221720	663568R91	IH	455379
65X916	GARLK	473447	65X991	GARLK	473450	662027	CLARK	412871	6635S	TIMKE	6635S
65X917	GARLK	473447	65X992	GARLK	473450	662027	CLARK	450329	6635SS	JN-MN	470712
65X918	GARLK	473447	65X993	GARLK	473450	66203	TROS	9049N	663603	CHRY5	450084
65X919	GARLK	470334	660	GARLK	451857	662066R91	IH	415303	6636S	TIMKE	6636S

INTERCHANGE SECTION

COMPETITIVE INTERCHANGES



Mfr No.	Mfr. National	Mfr No.	Mfr. National	Mfr No.	Mfr. National	Mfr No.	Mfr. National
663729R91	IH 204017	66537	VIC 1183	66605RS	VIC 99250	6671LA	JN-MN 417541
66381D	IH 470027	66538	VIC 1973	66606RS	VIC 99274	6671LUP	JN-MN 417541
66381D	IH 471554	66539	VIC 1174	66615	VIC 221540	667200	STUDE 410312N
663885R91	IH 450117	66540	VIC 1188	66618	VIC 221820	667201	STUDE 410312N
663885R91	IH 472572	66540	VIC 224820	66620	VIC 222030	66721	VIC 1999
663886R91	IH 470169	66540S	TROS 8935S	66621	VIC 222050	667218	STUDE 472394
663886R91	IH 473214	66541	VIC 1973	66624	VIC 222540	667232	STUDE 472394
6638S	NATL 370001A	66541S	TROS 473234	66627	VIC 222820	66726	VIC 225230
6638S	TIMKE 6638S	66543	VIC 224235	66628	VIC 222860	667273	STUDE 6460S
663N2	WHITE 450291	66544	VIC 224045	66635	VIC 223255	66728	VIC 1984
663N2	WHITE 471141	66546	VIC 224270	66636	VIC 223520	66729	VIC 1948
66402S	TROS 2043	66547	VIC 1974	66637	VIC 223540	667293	Y-T 473238
664078R91	IH 470169	66548	VIC 3476	66638	VIC 223830	66730	VIC 226285
664078R91	IH 473214	66549	VIC 1962	66638	VIC 223831	66732	VIC 1959
6641	C-R 220918	66549F	DIA 410102	66639	VIC 223840	66733	VIC 224820
6641	SKF 220918	66551	VIC 471192	6663R	JN-MN 415227	667331	STUDE 450467
664157R91	IH 415303	66552	VIC 224820	6663S	TIMKE 6663S	66734	VIC 1943
664309R91	IH 204013	66553	VIC 224820	66642	VIC 224045	66734	VIC 224570
66440C1	IH 471442	66554	VIC 472164	66644	VIC 224250	66735	VIC 224015
66446	VIC 323138	66555	VIC 473241	66645	VIC 1992	66737	VIC 224840
66462	VIC 471276	66556	VIC 473234	66650	VIC 226020	667378	STUDE 410316
664631	SPICE 480210	66559	VIC 350823	66652	VIC 226520	667378	STUDE 472636
664657R91	IH 450352	66559	VIC 472041	66654	VIC 227040	66738	VIC 3783
664657R91	IH 472164	66559	VIC 473454	666552R91	IH 472070	66741	VIC 225005
664658R91	IH 450352	665605	STUDE 5MR71	666553R91	IH 471801	66742	VIC 1012N
664658R91	IH 472164	66561	VIC 471224	66657F	DIA 415137	66743	VIC 1992
6647S	NATL 350679	6656115	FORD 710798	66657F	DIA 418028	667434	ALLCH 417210
6647S	NATL 470954	66562	VIC 223510	66657J	DIA 475012N	66746	VIC 710189
6649	TIMKE 6649	66563	VIC 471870	66657M	DIA 417159	667467	STUDE 450025
66500	VIC 1012N	66564	VIC 350936	66658	VIC 228009	667467	STUDE 471553
66501	VIC 224045	66565	VIC 224045	66658	VIC 228010	66747	VIC 223520
66502	VIC 1174	66566	VIC 482126	66658J	DIA 476283N	66747	VIC 3771
66504	VIC 1208	66568	VIC 40769S	666626R91	IH 472070	667472	STUDE 471787
66508	VIC 1208	66569	VIC 473238	6666LA	JN-MN 450474	66748	VIC 228010
66509	VIC 1209	665691	GMC 370001A	6668S	TIMKE 6668S	66749	VIC 1177
66509	VIC 225010	665691	GMC 380001A	666946	STUDE 450365	66751	VIC 1955
66510	VIC 1217	66570	VIC 223535	666946	STUDE 470898	66752	VIC 1176
66512	VIC 223840	66571	VIC 472213	66696	VIC 224025	66753	VIC 2002
66513	VIC 223840	66572	VIC 1174	66697	VIC 472492	66754	VIC 223520
66514	VIC 710345	66573	VIC 223535	66699	VIC 224020	667567R91	IH 200886
66516	VIC 224015	66574	VIC 224235	6669LA	JN-MN 417316	66757	VIC 1981
66517	VIC 224820	66575	VIC 223014	6669LA	JN-MN 455004	667578	STUDE 450291
66520	TROS 473473	66576	VIC 1981	66701	VIC 223830	667578	STUDE 471141
66520	VIC 1950	66579	VIC 1953	66703	VIC 3772	66758	VIC 1979
66521	VIC 224820	66580	VIC 1990	66704	VIC 1021V	667591R91	IH 450117
66522	VIC 224210	66584	VIC 1943	66707	VIC 229005	667591R91	IH 472572
66523	VIC 1955	66588	VIC 1012N	66708	VIC 239146	667599R91	IH 200886
66524	VIC 1960	66590RS	VIC 99199	66709	VIC 1973	66760	VIC 2011
66525	VIC 1959	66591RS	VIC 99193	66710	VIC 224462	66760	VIC 712011
66526	VIC 224820	66592RS	VIC 99218	66712	VIC 473367	66761	VIC 4990
66527	VIC 1956	66593RS	VIC 99225	667121	STUDE 450365	66762	VIC 1979
66527	VIC 224820	66594RS	VIC 99174	667121	STUDE 470898	66764	VIC 1174
66529	VIC 1174	66595RS	VIC 99187	66713	VIC 1213N	66767	VIC 1173
66530	VIC 1174	66596RS	VIC 99187	66714	VIC 1994	66768	VIC 2016
66532	VIC 1994	66597RS	VIC 99176	66716	VIC 1174	66769	VIC 1167
665335R91	IH 470334	66598RS	VIC 99233	66717	VIC 1960	66770	VIC 224040
66535	VIC 223830	66599RS	VIC 99212	66718	VIC 224520	66771	VIC 4990
665353R91	IH 470334	6659R	JN-MN 471820	667184	STUDE 472394	66773	VIC 226520
665355R91	IH 470334	66602RS	VIC 99162	667185	STUDE 472394	66774	VIC 224045
66536	VIC 224820	66604RS	VIC 99149	66719	VIC 225275	66775	VIC 1012N

INTERCHANGE SECTION

COMPETITIVE INTERCHANGES

Mfr No.	Mfr. National	Mfr No.	Mfr. National	Mfr No.	Mfr. National	Mfr No.	Mfr. National
66776	VIC 222025	66833	VIC 1989	66952	VIC 224015	66X1117	GARLK 471869
66777	VIC 1174	66834	VIC 222655	66953	VIC 2025	66X1117	GARLK 473459
66778	VIC 222745	66835	VIC 222535	669530R91	IH 412119	66X1120	GARLK 473241
66779	VIC 223240	66836	VIC 224255	669530R91	IH 450101	66X1129	GARLK 472144
6677LA	JN-MN 455685	66837	VIC 2007N	66954	VIC 716102	66X113	GARLK 450025
66780	VIC 1981	66838	VIC 494123	66955	VIC 1036	66X113	GARLK 471553
66782	VIC 9161	66839	VIC 225220	66956	VIC 1146	66X1132	GARLK 473460
66783	VIC 223014	66840	VIC 1213N	66957	VIC 1126	66X1135	GARLK 472394
66784	VIC 1953	66844	VIC 1986	66958	VIC 239201	66X115	GARLK 471579
66785	VIC 2007N	66847	VIC 224100	66958	VIC 4175	66X119	GARLK 471642
66787	VIC 350609	668479	CHRY5 5836	66959	VIC 474133	66X1198	GARLK 472924
66788	VIC 221207	66848	VIC 224820	66960	VIC 3476	66X1204	GARLK 450301
66791	VIC 1965	66850	VIC 224462	66962	VIC 710215	66X1204	GARLK 472397
66793	VIC 222430	66851	VIC 224235	66963	VIC 1176	66X1207	GARLK 473463
66794	VIC 225230	66852	VIC 1038	66968	VIC 225020	66X1210	GARLK 473242
66797	VIC 450273	66853	VIC 1019	6696S	NATL 417355	66X1252	GARLK 451948
6679LA	JN-MN 473227	66854	VIC 224025	6696S	NATL 485497	66X1270	GARLK 416738
6679LPD	JN-MN 473227	668572	ALLCH 471442	66972	VIC 229010	66X1270	GARLK 450096
6679LUP	JN-MN 473227	66859	VIC 710318	669720	STUDE 470027	66X1324	GARLK 450115
668002	ATLAS 6815	66861	VIC 1953	669720	STUDE 471554	66X1324	GARLK 473467
668004	AT SU 7022S	66863	VIC 1177	66973	VIC 716102	66X1327	GARLK 472015
668009	AT SU 9150S	66864	VIC 223420	66974	HYST 323138	66X1333	GARLK 410312N
668011	AT SU 7934S	66865	VIC 223552	66974	VIC 229005	66X1339	GARLK 450121
668015	AT SU 8705S	66866	VIC 1147	66975	VIC 223510	66X1339	GARLK 472409
668015	ATLAS 8705S	66868	VIC 223605	66977	VIC 228250	66X1345	GARLK 473243
668016	AT SU 9406S	66869	VIC 224874	66980	VIC 221720	66X1357	GARLK 416267
668021	ATLAS 8871	66870	VIC 224820	66981	VIC 471413	66X1402	GARLK 472018
668025	ATLAS 5121	66879	VIC 225225	66982	VIC 3476	66X1405	GARLK 473471
668026	ATLAS 3087	66880	VIC 225650	66984	VIC 711181	66X1408	GARLK 472020
668029	ATLAS 8974S	66881	VIC 223340	669846	ALLCH 413246	66X1414	GARLK 470354
668034	AT SU 1196	66886	VIC 223542	669846	ALLCH 413246N	66X1420	GARLK 473245
668035	AT SU 224015	66887	VIC 225500	669847	ALLCH 471529	66X1426	GARLK 413472
668035	ATLAS 224015	66893	VIC 710156	66985	VIC 3771	66X1432	GARLK 416268
668036	AT SU 1950	66894	VIC 222820	66985	VIC 713771	66X145	GARLK 471498
668036	ATLAS 1950	66896	VIC 220860	66986	VIC 228008	66X1471	GARLK 471341
668037	AT SU 1188	66898	VIC 221610	66987	VIC 710234	66X1474	GARLK 471272
668037	ATLAS 1188	66902	VIC 224570	66988	VIC 710233	66X1480	GARLK 471138
668038	AT SU 1183	66903	VIC 710070	6698R	JN-MN 415116	66X1486	GARLK 410737
668038	ATLAS 1183	66904	VIC 1180	66991	VIC 1217	66X1486	GARLK 470737
668039	ATLAS 3357	66905	VIC 223802	66992	VIC 1987	66X149	GARLK 471684
668042	AT SU 710127	66908	VIC 710331	66993	VIC 710642	66X149	GARLK 471698
668043	AT SU 710108	66909	VIC 223540	66994	VIC 225650	66X1492	GARLK 472636
66805	VIC 224570	66909	VIC 223542	66995	VIC 473823	66X1498	GARLK 412920
66806	VIC 1108	66911	VIC 224210	66996	VIC 710070	66X1504	GARLK 411376
66807	VIC 1987	66918	VIC 320595	66997	VIC 226530	66X1504	GARLK 455093
66809	VIC 1936	66925	VIC 1174	66999	VIC 710069	66X153	GARLK 470390
66812	VIC 2003N	66926	VIC 710097	6699R	JN-MN 417601	66X1654	GARLK 413246
66813	VIC 444116	66928	VIC 223580	66A	FORD 472705	66X1654	GARLK 413246N
668138M1	MASSE 473016	66929	VIC 223543	66X1042	GARLK 472439	66X1657	GARLK 412119
66818	VIC 1172	66931	VIC 223801	66X1045	GARLK 471868	66X1657	GARLK 450101
66823	VIC 223580	66940	VIC 239146	66X1048	GARLK 450117	66X1660	GARLK 413247
668236	STUDE 415302	66941	VIC 227530	66X1048	GARLK 472572	66X1666	GARLK 416271
66825	VIC 2011	66941	VIC 3698	66X1051	GARLK 473179	66X1669	GARLK 412861
66826	VIC 1990	66942	VIC 224840	66X1057	GARLK 450082	66X1678	GARLK 417480
66828	VIC 223240	66946	VIC 710148	66X1057	GARLK 473238	66X1678	GARLK 455860
6682R	JN-MN 416167	66947	VIC 473677	66X1063	GARLK 473239	66X1723	GARLK 471887
6682R	JN-MN 455091	66948	VIC 225030	66X1066	GARLK 473457	66X1738	GARLK 411500
66830	VIC 2443	66949	VIC 710072	66X1069	GARLK 473240	66X1747	GARLK 411245
66831	VIC 710197	66950	VIC 1936	66X1075	GARLK 473458	66X1747	GARLK 455096
66832	VIC 221410	66952	VIC 1217	66X1114	GARLK 472319	66X1750	GARLK 417073

INTERCHANGE SECTION

COMPETITIVE INTERCHANGES



Mfr No.	Mfr. National	Mfr No.	Mfr. National	Mfr No.	Mfr. National	Mfr No.	Mfr. National
66X1801	GARLK 472029	66X2540	GARLK 417356	66X664	GARLK 473440	67010	VIC 473677
66X1807	GARLK 471271	66X2543	GARLK 417357	66X6658	GARLK 471276	670118	WHITE 370036A
66X1813	GARLK 470605	66X2546	GARLK 416130	66X700	GARLK 472213	670118	WHITE 370349A
66X1819	GARLK 415449	66X2555	GARLK 415041	66X703	GARLK 472299	670118	WHITE 380036A
66X1825	GARLK 416273	66X2657	GARLK 416556	66X706	GARLK 470064	670142	ALLCH 470169
66X1888	GARLK 455311	66X2657	GARLK 472157	66X706	GARLK 471821	670142	ALLCH 473214
66X1933	GARLK 413248	66X2663	GARLK 416891	66X712	GARLK 450185	670186	ALLCH 415281N
66X1939	GARLK 415483	66X2753	GARLK 416888	66X712	GARLK 473229	67028	VIC 225082
66X1945	GARLK 415458	66X2756	GARLK 416153	66X7126	GARLK 470596	6702955	GMC 471472
66X1948	GARLK 417343	66X289	GARLK 473380	66X715	GARLK 470682	6702R	JN-MN 417780
66X1951	GARLK 415007	66X3125	GARLK 455576	66X7164	GARLK 473455	67030	VIC 224053
66X2035	GARLK 416664	66X3128	GARLK 415938	66X718	GARLK 471316	67031	VIC 712009
66X2038	GARLK 417484N	66X323	GARLK 471651	66X7249	GARLK 416127	6703154	GMC 415013
66X2038	GARLK 455322	66X325	GARLK 471705	66X7282	GARLK 470088	6703154	GMC 415995
66X2041	GARLK 415984	66X327	GARLK 473419	66X739	GARLK 482253	6703159	EUCLD 471224
66X2044	GARLK 417316	66X3275	GARLK 417362	66X760	GARLK 470358	6703159	GMC 471224
66X2047	GARLK 415960	66X3278	GARLK 417363	66X760	GARLK 473231	67032	VIC 712008
66X2050	GARLK 416706	66X3281	GARLK 416666	66X763	GARLK 450066	67036	VIC 2011
66X2050	GARLK 455272	66X333	GARLK 471762	66X763	GARLK 473367	67039	VIC 221620
66X2118	GARLK 417344	66X35	GARLK 472810	66X769	GARLK 450194	6703S	TIMKE 6703S
66X2121	GARLK 417158	66X352	GARLK 471652	66X769	GARLK 473010	67040	VIC 222830
66X213	GARLK 471267	66X355	GARLK 470045	66X772	GARLK 450069	67041	VIC 222742
66X2146	GARLK 416956	66X355	GARLK 476838	66X772	GARLK 473232	67042	VIC 710157
66X2152	GARLK 416654	66X357	GARLK 470712	66X775	GARLK 481864	67043	VIC 710110
66X2152	GARLK 455012	66X359	GARLK 471763	66X787	GARLK 450078	67044	VIC 224200
66X2168	GARLK 417349	66X361	GARLK 471785	66X787	GARLK 473444	67045	VIC 710314
66X217	GARLK 471633	66X383	GARLK 472475	66X7934	GARLK 55469	67046	VIC 224026
66X2171	GARLK 417350	66X384	GARLK 472475	66X7941	GARLK 455509	67047	VIC 224026
66X2174	GARLK 415836	66X385	GARLK 473426	66X8074	GARLK 471827	67047	VIC 710300
66X2174	GARLK 415995	66X387	GARLK 471765	66X8081	GARLK 450819	67047	VIC 712551
66X2177	GARLK 417351	66X3872	GARLK 471747	66X826	GARLK 473233	67048	VIC 1990
66X221	GARLK 470590	66X3872	GARLK 472674	66X8342	GARLK 471255	67049	VIC 2655
66X2249	GARLK 456105	66X3880	GARLK 471344	66X835	GARLK 450154	6704SS	JN-MN 471076
66X2257	GARLK 455336	66X3883	GARLK 473442	66X835	GARLK 473234	67052	VIC 223843
66X2261	GARLK 417490	66X394	GARLK 473205	66X838	GARLK 473235	67053	VIC 224045
66X2267	GARLK 455022	66X424	GARLK 471750	66X844	GARLK 473236	67054	VIC 223553
66X2270	GARLK 415304	66X427	GARLK 470163	66X859	GARLK 471981	67054	VIC 4901
66X2270	GARLK 476470	66X427	GARLK 471766	66X899	GARLK 470351	67055	VIC 224063
66X2273	GARLK 417181	66X430	GARLK 471787	66X899	GARLK 471504	67057	VIC 221607
66X2276	GARLK 417352	66X436	GARLK 471795	66X907	GARLK 450070	67058	VIC 710116
66X2276	GARLK 418028	66X439	GARLK 471801	66X907	GARLK 472185	67059	VIC 221620
66X2279	GARLK 417353	66X442	GARLK 471808	66X910	GARLK 470334	67060	VIC 710297
66X2294	GARLK 455328	66X451	GARLK 473424	66X913	GARLK 450183	67063	VIC 710051
66X2366	GARLK 415991	66X4802	GARLK 450545	66X913	GARLK 472179	67065	VIC 714503
66X2366	GARLK 415991N	66X535	GARLK 470774	66X922	GARLK 450291	67066	VIC 223801
66X2369	GARLK 417196	66X541	GARLK 471192	66X922	GARLK 471141	67067	VIC 221607
66X2375	GARLK 417198	66X544	GARLK 470169	66X925	GARLK 473448	67069	VIC 1990
66X2417	GARLK 416047	66X544	GARLK 473214	66X928	GARLK 471984	67070	VIC 222430
66X2417	GARLK 416332	66X547	GARLK 473215	66X931	GARLK 473313	67071	VIC 1981
66X2420	GARLK 415937	66X550	GARLK 470950	6700157	GMC 417210	67072	VIC 223535
66X2426	GARLK 416125	66X550	GARLK 6241S	67002	VIC 710093	67073	VIC 223520
66X2432	GARLK 417499	66X556	GARLK 450444	6700209	GMC 417354	67074	VIC 2007N
66X2433	GARLK 417355	66X556	GARLK 471835	67003	VIC 223550	67075	VIC 224066
66X2435	GARLK 415832	66X592	GARLK 473224	67005	VIC 1973	670752	CHRY5 8160S
66X2438	GARLK 417500	66X595	GARLK 473016	6700577	GMC 410163	67077	VIC 1213N
66X2462	GARLK 415379	66X598	GARLK 473225	6700577	GMC 471766	67078	VIC 710218
66X2465	GARLK 417205	66X643	GARLK 470625	67006	VIC 494123	67079	VIC 222238
66X2468	GARLK 416339	66X645	GARLK 471818	67007	VIC 1213N	67080	VIC 223014
66X2537	GARLK 415035	66X655	GARLK 450067	67008	VIC 223542	67085	VIC 228520
66X2537	GARLK 415953	66X655	GARLK 473228	6700846	GMC 471567	67086	VIC 231250

INTERCHANGE SECTION

COMPETITIVE INTERCHANGES

Mfr No.	Mfr. National	Mfr No.	Mfr. National	Mfr No.	Mfr. National	Mfr No.	Mfr. National
67087	VIC 227550	67173	VIC 226150	67283	VIC 710127	67410	VIC 222050
67093	VIC 4359V	67174	VIC 710175	67285	VIC 710125	674105	MERIX 455858
67098	VIC 474230	67175	VIC 710168	67286	VIC 710108	674105	ROCKW 455858
67099	VIC 717004	67176	VIC 710192	67288	VIC 710107	674105	WHITE 455858
671	C-R 5MR1300	67177	VIC 1953	67289	VIC 710178	674237	GMC 370007A
671	SKF 5MR1300	67180	VIC 710194	67290	VIC 1177	67427	VIC 223215
67101	VIC 710085	67181	VIC 710226	672900	STUDE 474278	6743	C-R 471529
67101S	L&S 8871	67184	VIC 221510	672900	STUDE 480356	6743	SKF 471529
67102	VIC 710086	67186	VIC 710228	67291	VIC 224872	67430	VIC 710123
67103	VIC 710088	67187	VIC 1974	67292	VIC 224874	67431	VIC 710118
67104	VIC 717004	67188	VIC 224462	67292195	BUC-E 470059	67432	VIC 710287
67107	VIC 710089	67189	VIC 710230	67292195	BUC-E 470380	67434	VIC 710208
671084	GMC 472394	67190	VIC 225650	67299	VIC 224820	67438	VIC 710838
67109	VIC 717005	67191	VIC 710228	67301	VIC 710172	6743LA	JN-MN 417536
6710SS	JN-MN 471646	67192	VIC 225673	673013R91	IH 417343	67441	VIC 710173
67110	VIC 225225	67193	VIC 471267	67308	VIC 710114	67442	VIC 710239
671101	GMC 473205	67194	VIC 710529	6730LA	JN-MN 416888	67448	VIC 710240
67115	VIC 710225	67195	VIC 710253	6730LA	JN-MN 455200	67452	VIC 710255
671151	CHRYSLER 415449	67198	VIC 710109	67321	VIC 710195	674869	STUDE 340797
671151	CHRYSLER 455147	6719LA	JN-MN 415072	67322	VIC 2011	67487	VIC 710343
67118	VIC 710150	6720	C-R 3667	67331	VIC 225110	67491	VIC 1037
67119	VIC 228410	6720	SKF 3667	67335	VIC 710141	67497	VIC 223805
67120	VIC 229210	67201	VIC 223552	67336	VIC 1176	6749LA	JN-MN 476470
67121	VIC 228009	67205	VIC 710255	67337	VIC 4898	674D641H12	BENDI 415034
67122	VIC 224650	67208	VIC 1932	67347	VIC 710124	674D641H12	BENDI 455034
67123	VIC 228009	67209	VIC 710236	673472	BENDI 471354	674D641H16	BENDI 416666
67124	VIC 224015	67211	VIC 223230	67351	VIC 710422	675007R91	IH 450326
67128	VIC 222745	67211	VIC 320348	67353	VIC 224040	675009R91	IH 415389
6712NA	TIMKE 6712NA	672138R91	IH 472015	67356	VIC 710286	6750156	GMC 416107
67130	VIC 223050	67218	VIC 710072	67359	VIC 224520	6750156	GMC 455073
671308	GMC 411500	67219	VIC 226530	67360	VIC 710115	6750157	GMC 415192N
67132	VIC 3476	67222	VIC 224250	673600	GMC 473447	6750231	GMC 415437
67133	VIC 1180	67224	VIC 710313	67367	VIC 710122	6750415	GMC 415146
67134	VIC 710092	67226	VIC 710516	67368	VIC 710139	6750415	GMC 415991
67136	VIC 712551	672303	GMC 470059	67371	VIC 224252	6750426	GMC 417466
67137	VIC 1941	672303	GMC 470380	67374	VIC 224010	67505	VIC 224045
67138	VIC 224026	67231	VIC 226610	67378	VIC 710305	67507	VIC 223840
67139	VIC 225673	67232	VIC 710166	6738	C-R 471529	675097R91	IH 471554
67140	VIC 471643	67233	VIC 223831	6738	SKF 471529	6751056	GMC 240736
67142	VIC 710156	6723376	FORD 3774	67381	VIC 710357	67512	VIC 224510
67143	VIC 4898	67234	VIC 710416	67383	VIC 225030	67515	C-R 415327
67149	VIC 710112	67235	VIC 710170	673833R91	IH 472041	67515	SKF 415327
67150	VIC 229005	67237	VIC 224252	673833R91	IH 473454	675168R91	IH 200855
67151	VIC 223800	67238	VIC 710730	673834R91	IH 472397	67518	VIC 223400
67151	VIC 223801	67242	VIC 350414	673835R91	IH 415449	6751818	GMC 450441
67152	VIC 223802	67247	VIC 471649	67385	VIC 710071	6751818	GMC 471341
67152	VIC 710834	67256C1	IH 416556	67386	VIC 226018	67519	VIC 710305
67154	VIC 710073	67256C1	IH 472157	67387	VIC 710169	6752035	GMC 471526
67156	VIC 1935	67258	VIC 1932	67388	VIC 710144	67521	VIC 710266
67157	VIC 4899	67259	VIC 710109	67397	VIC 710156	6752372	GMC 415138
67158	VIC 225673	67260	VIC 710110	67398	VIC 2027	6752373	GMC 416107
67159	VIC 1993	67264	VIC 2027	674D2	REO 370001A	6752373	GMC 455073
67160	VIC 710076	67265	VIC 710248	67402	VIC 221540	675242	WHITE 415003
67161	VIC 225410	67267	VIC 3459	67403	VIC 221720	675242	WHITE 415458
67162	VIC 1174	67273	VIC 710259	67405	VIC 221610	6752S	NATL 412473
67163	VIC 1928	67275	VIC 710283	67406	VIC 222535	6752S	NATL 415894
67164	VIC 224870	67277	VIC 710217	67408	VIC 222430	67533	C-R 417596
67166	VIC 221922	67278	VIC 710094	67409	VIC 222025	67533	SKF 417596
67171	VIC 225275	6727LA	JN-MN 450082	6741	C-R 471529	675334	CATER 415447
67172	VIC 225678	6727LA	JN-MN 473238	6741	SKF 471529	675346	GMC 370066A

INTERCHANGE SECTION

COMPETITIVE INTERCHANGES



Mfr No.	Mfr. National	Mfr No.	Mfr. National	Mfr No.	Mfr. National	Mfr No.	Mfr. National
6753849	GMC 417350	6763	C-R 474261	6775412	GMC 470712V	67846	VIC 223005
6753849	GMC 455479	6763	SKF 474261	67755	VIC 1172	67847á	VIC 711007
67544	VIC 222410	67631C1	IH 473232	6775628	GMC 415991	67849	VIC 710787
675442	GMC 412015V	67640	VIC 710460	6775628	GMC 415991N	6785	TIMKE 6785
675443	GMC 3893V	6764LA	JN-MN 55357	677566	GMC 410101N	67853ááá	VIC 710288
675455	VOLVO 482126	6765	C-R 471538	67757	VIC 223750	67856	VIC 224200
6754947	GMC 415988	6765	C-R 8773S	6775LA	JN-MN 471705	67859	VIC 224460
6755	FULLE 417082	6765	SKF 471538	67760	VIC 710803	67860	VIC 2025
675516	CABOT 416107	6765	SKF 8773S	67761	VIC 710788	67861	VIC 710785
675516	CABOT 455073	676593	GMC 252277	6776197	SPICE 416107	67862	VIC 229005
675516	MINMA 416107	676595	GMC 412015V	67762	VIC 710790	67863	VIC 710526
675516	MINMA 455073	6765R	JN-MN 417211	67763	VIC 710790	67865	VIC 710824
675516M1	BUC-E 416107	6767	C-R 471538	67764	VIC 710881	67866	VIC 710521
675516M1	BUC-E 455073	6767	C-R 8773S	67765	VIC 228008	6786LA	JN-MN 450776
67551WK	SUL 416107	6767	SKF 471538	67766	VIC 710614	678805	GMC 450194
67551WK	SUL 455073	6767	SKF 8773S	67769	VIC 710289	678805	GMC 473010
67554	CINMI 410312N	67680	CLEVI 710552	67773	VIC 3476	678953	STUDE 410308
67555	DANA 710847	6768481	GMC 415138	67774	VIC 710617	678953	STUDE 450308
67555	SPICE 1979	676852R91	IH 413248	67775	VIC 710601	678D5	WHITE 470358
67555	SPICE 710847	67693	VIC 224052	67777	VIC 710892	678D5	WHITE 473231
67557	C-R 416008	67696R91	IH 415060	6778	EATON 5MR71	679D2	REO 370007A
67557	SKF 416008	676T5	WHITE 470120	6778050	GMC 415988	679001	GMC 370008A
6755898	GMC 410101N	676T5	WHITE 471224	67781	VIC 231004	679002	GMC 370008A
6755LA	JN-MN 471688	677	C-R 5M643	677812	TMTR 472299	679007	GMC 370012A
6755LPD	JN-MN 471688	677	SKF 5M643	67783	VIC 224650	679008	GMC 370012A
67560	VIC 710088	6770305	GMC 412119	677858	STUDE 470163	67910	VIC 710759
67561	VIC 710278	67710	VIC 710842	677858	STUDE 471766	679257	STUDE 340787
6756195	FORD 710808	6771231	GMC 415013N	67786	VIC 710289	67929	VIC 710786
6757264	GMC 471760	6771231	GMC 415995V	67787	VIC 716102	67930	VIC 710822
6757463	GMC 416107	677188	ALLCH 471787	67788	VIC 3476	67932	VIC 711005
6757463	GMC 455073	6771SS	JN-MN 471705	67790C2	IH 480630	67944	VIC 710900
6757751	GMC 416229	6772050	GMC 471554V	67791	VIC 716484	67961	VIC 710610
675896	CLARK 455330	67721	VIC 710849	67795	VIC 710857	67964	VIC 711030
6758LA	JN-MN 410520	67723	VIC 224200	67796	VIC 710580	67965	VIC 711004
6758LA	JN-MN 471272	67724	VIC 223420	67797	VIC 3772	6796LA	JN-MN 416666
6759	C-R 471529	67726	VIC 710890	67805	VIC 710608	67972	VIC 710937
6759	SKF 471529	677318	STUDE 416271	67806TA	TRSCM 416362	6797454	VOLVO 716484
67591	VIC 224053	6773186	EUCLD 415192N	67807	VIC 710819	67974543	VOLVO 716484
6759135	GMC 415991	6773186	GMC 415192N	67808	VIC 3051N	67975	VIC 710849
6759135	GMC 455146	67732	VIC 223750	67809	VIC 710767	679752	CHRYSLER 8160S
67593	VIC 710436	6773201	GMC 471224	6781	TIMKE 6781	6797LA	JN-MN 415072
67594	VIC 224663	6773249	GMC 410183N	678138	STUDE 410316	6798LA	JN-MN 417562
6759S	TIMKE 6759S	67733	VIC 710056	678138	STUDE 472636	67991	VIC 710850
676D2	REO 370057A	6773311	GMC 476424N	67823	VIC 710859	679918	GMC 417480
67602	VIC 710355	6773466	GMC 475002N	67825	VIC 224200	679918	GMC 455860
676031C91	IH 5629	67737	VIC 224052	67827	VIC 710896	679939	GMC 415023
676032R91	IH 472924	67738	DENCO 415995	678270	FLXIB 473215	67X1048	GARLK 450117
67604	VIC 320595	67738	DENCO 455013	678270	GMC 473215	67X1048	GARLK 472572
6760S	TIMKE 6760S	67740	VIC 710891	67828	VIC 710674	67X1051	GARLK 473179
67616	VIC 710837	67742	DENCO 450365	67829	VIC 710897	67X1057	GARLK 450082
676168M1	MASSE 470169	67742	DENCO 470898	67830	VIC 710761	67X1057	GARLK 473238
676168M1	MASSE 473214	67746	VIC 3774	67831	VIC 710878	67X1063	GARLK 473239
676169M1	MASSE 470163	67747	VIC 223010	67833	VIC 710613	67X109	GARLK 471529
676169M1	MASSE 471766	67748	VIC 228008	67835	VIC 710127	67X111	GARLK 471538
67617	VIC 710451	677484C1	IH 411275V	67836	VIC 223005	67X113	GARLK 471553
676182M1	MASSE 470950	6774SH	JN-MN 470074	67838	VIC 710621	67X115	GARLK 471579
676182M1	MASSE 6241S	6774SH	JN-MN 474265	67839	VIC 225530	67X1186	GARLK 471870
6761LA	JN-MN 410496	67750	VIC 710848	67840	VIC 716484	67X1186	GARLK 471883
6762841	GMC 471442	67752	VIC 710669	67842	VIC 320348	67X1189	GARLK 450389
67629	VIC 710472	67753	VIC 710790	67843	VIC 231003	67X1189	GARLK 472492

INTERCHANGE SECTION

• Non Stock Item - Special Order

COMPETITIVE INTERCHANGES

Mfr No.	Mfr.	National	Mfr No.	Mfr.	National	Mfr No.	Mfr.	National	Mfr No.	Mfr.	National
67X1198	GARLK	472924	67X4584	GARLK	472658	68026295AA	CHRY	710903	68145442AA	CHRY	710487
67X1204	GARLK	472397	67X4584	GARLK	473197	68026295AA	MOPAR	710903	68145442AA	JEEP	710487
67X1324	GARLK	450115	67X51	GARLK	471526	680273R91	IH	370007A	68145442AA	MOPAR	710487
67X1324	GARLK	473467	67X53	GARLK	471472	68029	VIC	6879H	6814LA	JN-MN	415021
67X1327	GARLK	472015	67X535	GARLK	470774	68029390AA	CHRY	710692	6815	TIMKE	6815
67X143	GARLK	471567	67X541	GARLK	471192	68029390AA	JEEP	710692	681596	GMC	417159
67X147	GARLK	471643	67X544	GARLK	473214	68031388AA	CHRY	710056	6816	C-R	450025
67X1471	GARLK	471341	67X547	GARLK	473215	68031388AA	CHRY	710884	6816	C-R	471553
67X1474	GARLK	410520	67X55	GARLK	471549	68031388AA	JEEP	710056	6816	SKF	471553
67X1474	GARLK	471272	67X556	GARLK	450444	68033195AA	CHRY	4741	68163888AA	CHRY	710690
67X1492	GARLK	472636	67X556	GARLK	471835	68033195AA	MOPAR	4741	681675	GMC	450076
67X1504	GARLK	411376	67X643	GARLK	470548	68036471AA	CHRY	710454	681675	GMC	470334
67X1504	GARLK	455093	67X643	GARLK	470625	68036471AB	CHRY	710454	6817	C-R	471553
67X153	GARLK	470390	67X646	GARLK	470059	68036471AB	MOPAR	710454	6817	SKF	471553
67X159	GARLK	481443	67X646	GARLK	470380	68036498AA	CHRY	127591	68174112AA	CHRY	710487
67X161	GARLK	481568	67X655	GARLK	450067	680392	GMC	370024A	68174112AA	MOPAR	710487
67X1639	GARLK	473474	67X655	GARLK	473228	6803967	FORD	3393	6818	TIMKE	6818
67X1654	GARLK	413246	67X658	GARLK	451857	68040719AA	CHRY	4741	68187	CATER	471735
67X1654	GARLK	413246N	67X664	GARLK	473440	68042766AA	CHRY	710692	6818LA	JN-MN	415027
67X1666	GARLK	416271	67X67	GARLK	471281	68042766AA	JEEP	710692	6818LA	JN-MN	455027
67X1669	GARLK	412861	67X69	GARLK	471535	68055261AA	CHRY	710742	68192838AA	CHRY	320583
67X1801	GARLK	472029	67X700	GARLK	472213	68055262AA	CHRY	710661	68192838AA	JEEP	320583
67X1807	GARLK	471271	67X71	GARLK	471551	68055336AA	CHRY	710661	68198171	VW	716102
67X1822	GARLK	415001	67X87	GARLK	471466	68056356AA	CHRY	710481	6819970046	FREIG	370023A
67X1822	GARLK	455001	67X898	GARLK	470351	68056356AA	JEEP	710481	68223854AA	CHRY	711030
67X1828	GARLK	455079	67X898	GARLK	471504	68056356AA	MITSU	710481	68223854AA	JEEP	711030
67X1834	GARLK	455655	67X904	GARLK	450494	68056356AA	MOPAR	710481	68224	ALLCH	474276
67X2035	GARLK	416664	67X904	GARLK	472164	68056415AA	CHRY	7412S	68224	KEN	474276
67X2035	GARLK	455364	67X91	GARLK	471255	68056415AA	MOPAR	7412S	68227841AA	CHRY	710888
67X2038	GARLK	417484N	67X913	GARLK	450183	68056416AA	CHRY	710298	68227841AA	JEEP	710888
67X2038	GARLK	455322	67X913	GARLK	472179	68056416AA	MOPAR	710298	682326	STUDE	6270
67X2041	GARLK	415984	67X922	GARLK	450291	68060342AA	CHRY	710841	682327	STUDE	5401
67X2050	GARLK	416706	67X922	GARLK	471141	68060342AA	JEEP	710841	68234127AA	CHRY	710487
67X2050	GARLK	455272	67X925	GARLK	473448	680622	ALLCH	470596	68234166AA	CHRY	710939
67X213	GARLK	471267	67X928	GARLK	471984	68071194AA	CHRY	710684	68234994AA	CHRY	710486
67X215	GARLK	471570	67X93	GARLK	471564	68071194AA	JEEP	710684	68234994AA	JEEP	710486
67X2168	GARLK	415281N	68001750AA	CHRY	471648	68078786AA	CHRY	711030	68238383AA	CHRY	710813
67X217	GARLK	471633	68003265AA	CHRY	710877	68078786AA	JEEP	711030	682796	STUDE	415960
67X2174	GARLK	415995V	68003265AA	MOPAR	710877	68079589AA	CHRY	710937	682796	STUDE	455009
67X2174	GARLK	455995N	68003270AA	CHRY	9912	68079589AA	MOPAR	710937	682805R91	IH	472394
67X219	GARLK	471646	68003270AA	JEEP	9912	680842C91	IH	482126	682809	GMC	415137
67X225	GARLK	471730	68003270AA	MOPAR	9912	68089693AA	CHRY	710726	682809	GMC	418028
67X269	GARLK	451583	68004072AA	CHRY	710741	68089735AA	CHRY	4503N	6828S	NATL	450185
67X273	GARLK	471648	68004072AA	MOPAR	710741	68089735AA	MOPAR	4503N	6828S	NATL	473229
67X275	GARLK	471688	68006029AA	CHRY	710813	68089736AA	CHRY	330385	6830097	GMC	472164
67X287	GARLK	471224	6800LA	JN-MN	471647	6808LA	JN-MN	417501	68304271AA	CHRY	710863
67X291	GARLK	471649	6800LPD	JN-MN	471647	6808N	TIMKE	6808N	68304271AA	MOPAR	710863
67X293	GARLK	471689	6800S	NATL	471466	680954	ALLCH	471344	683225R91	IH	5408
67X295	GARLK	450593	68016	C-R	JV753	68097	DENCO	450365	683226R91	IH	5408
67X297	GARLK	471733	68016	DENCO	415138	68097	DENCO	470898	68328	AM WH	416339
67X301	GARLK	471760	68016	SKF	JV753	681175	FORD	416738	68328	AM WH	455031
67X303	GARLK	453165	68017721AA	CHRY	710841	681175	FORD	450096	6832S	TIMKE	6832S
67X303	GARLK	471619	68017721AA	JEEP	710841	68130R91	IH	472015	683328	STUDE	470308N
67X351	GARLK	471652	68019663AA	CHRY	710907	681323	CHRY	470062	683334R91	IH	472492
67X353	GARLK	470189	68020037AA	CHRY	710909	681323	CHRY	474264	683380	GMC	415272N
67X353	GARLK	471692	68020054AA	CHRY	221207	6814	C-R	471553	683523	GMC	6808N
67X355	GARLK	470045	68020128AA	CHRY	710908	6814	SKF	471553	683590	GMC	370008A
67X355	GARLK	476838	68020128AA	MOPAR	710908	68142480AA	CHRY	710486	683591	GMC	370009A
67X359	GARLK	471763	68026074AA	CHRY	710641	68142480AA	JEEP	710486	683591	GMC	380009A
67X361	GARLK	471785	68026074AA	MOPAR	710641	68142480AA	MOPAR	710486	6835S	TIMKE	6835S

INTERCHANGE SECTION

COMPETITIVE INTERCHANGES



Mfr No.	Mfr. National	Mfr No.	Mfr. National	Mfr No.	Mfr. National	Mfr No.	Mfr. National
6836LA	JN-MN 472213	6861S	NATL 351267	688033	GMC J1113	6903	SKF 471466
6836LUP	JN-MN 472213	6861S	NATL 471267	688034	GMC 413470	6904	C-R 471466
6837288	GMC 454136N	68621	DENCO 415995	688035	GMC 413246	6904	SKF 471466
68373	SABO 710583	68621	DENCO 455013	688035	GMC 413246N	6906S	TIMKE 6906S
68374	SABO 710546	6862LA	JN-MN 416364	688061	GMC 370005A	69070	TRASR 224010
6838378	RCA 240435	6862LPD	JN-MN 416364	688131	US-EL 473203	690764	GMC 415027
6838600	GMC 417495	68630022	WITTE 240119	68819	DENCO 410987	690807	SPERY 417562
68403	SABO 710648	68630061	WITTE 471750	68819	DENCO 450686	69084	ALLCH 450104
68405	SABO 710491	68630150	WITTE 450183	6882LA	JN-MN 471870	69102S	TROS 8974S
6840LA	JN-MN 417597	68630150	WITTE 472179	6882LA	JN-MN 471883	6913	C-R 221620
6840LPD	JN-MN 417597	68630201	WITTE 450083	6883697	GMC 417316	6913	SKF 221620
6840LUP	JN-MN 417597	68630201	WITTE 472924	6883LA	JN-MN 413248	69139	CUMMI 473224
6840S	TIMKE 6840S	68630211	WITTE 472012	688520	MINMA 417556	69139C1	IH 450094N
684164	GMC 473473	68630220	WITTE 450867	68903	DENCO 471192	6916	C-R 471264
6842092	VOLVO 710669	68630220	WITTE 470898	68904	DENCO 413247	6916	SKF 471264
68420926	VOLVO 710669	68630270	WITTE 411245	68904	DENCO 450350	691631C91	IH 5624
6842093	VOLVO 355660H	68630270	WITTE 455096	6895R	JN-MN 417158	691666	WHITE 471267
6842093	VOLVO 710803	68630301	WITTE 416273	6895R	JN-MN 455355	6916LPD	JN-MN 471563
68420934	VOLVO 710803	68630373	WITTE 415281N	68988	DENCO 450365	6920	C-R 471553
6842160	VOLVO 710803	68630374	WITTE 475012N	68988	DENCO 470898	6920	SKF 471553
68421600	VOLVO 710803	68630380	WITTE 415995	68989	DENCO 470163	69215	AM WH 473016
68421601	VOLVO 710803	68630380	WITTE 455013	68989	DENCO 471766	6924A	JOY 415960
6842272	VOLVO 710790	68630509	WITTE 415697	6899H	DIA 417171	6924A	JOY 455009
68422720	VOLVO 710790	68630509	WITTE 455547	68AB1190AA	FORD 3395	6924LA	JN-MN 415001
68422724	VOLVO 710790	68630673	GA-WO 415725	68GG7048A1A	FORD 2503N	6924LA	JN-MN 455001
6842273	VOLVO 1172	68630783	GA-WO 417365	68X109	GARLK 471529	6926	JOY 455018
68422730	VOLVO 1172	68630983	GA-WO 415090	68X111	GARLK 471538	6926	JOY 476470
68422732	VOLVO 1172	6863S	TIMKE 6863S	68X113	GARLK 471553	692612	GMC 350435
6842274	VOLVO 710669	6864S	TIMKE 6864S	68X115	GARLK 471579	692693	C-R 221820
68422740	VOLVO 710669	68666	CATER 471267	68X1324	GARLK 450115	692693	SKF 221820
684233	STUDE 470898	6869LA	JN-MN 415988	68X1324	GARLK 473467	6927	JOY 415001
6843111	VOLVO 223830	6869LUP	JN-MN 415988	68X143	GARLK 471567	6927	JOY 455001
68431113	VOLVO 223830	68717	AM WH 450194	68X147	GARLK 471643	6928	JOY 417316
6843112	VOLVO 710582	68717	AM WH 473010	68X153	GARLK 470390	6928	JOY 455004
68431121	VOLVO 710582	6871LA	JN-MN 417496	68X159	GARLK 481443	69290	CATER 473237
68433DM	IH 350435	6871LUP	JN-MN 417496	68X161	GARLK 481568	69290	TMTR 473237
6843481	VOLVO 224040	68720	C-R 455948	68X215	GARLK 471570	692956	GMC 410102
68434810	VOLVO 224040	68720	SKF 455948	68X217	GARLK 471633	6930	TIMKE 6930
6845	NATL 413469	6872LA	JN-MN 415379	68X219	GARLK 471646	69307R91	IH 415437
684783	CATER 470898	6872LA	JN-MN 455379	68X225	GARLK 471730	69307R91	IH 455173
6847S	TIMKE 6847S	6872LPD	JN-MN 415379	68X269	GARLK 451583	6932LA	JN-MN 471567
684806	ALLCH 416364	6872LPD	JN-MN 455379	68X273	GARLK 471648	6932LPD	JN-MN 471567
684881	STUDE 7399S	6872S	TIMKE 6872S	68X275	GARLK 471688	693323R91	IH 415960
6848R	JN-MN 474274	68745	C-R 455584	68X291	GARLK 471649	693323R91	IH 455009
68509	DENCO 471958	68745	SKF 455584	68X297	GARLK 471733	6934631	SPICE 450067
6850LA	JN-MN 473228	6874A	HERCU 450069	68X301	GARLK 471760	6934631	SPICE 473228
6850LA	JN-MN 51098	6874A	HERCU 473232	68X51	GARLK 471526	6935	C-R 471579
6851LA	JN-MN 450025	6875LA	JN-MN 416239	68X53	GARLK 471472	6935	SKF 471579
6851LA	JN-MN 471553	687686	CHRY5 470354	68X55	GARLK 471549	6935LA	JN-MN 417247
685215	GMC 370003A	6876LA	JN-MN 416865	68X69	GARLK 471535	6935LPD	JN-MN 417247
685215	GMC 380003A	687707C91	IH 714470	68X71	GARLK 471551	69367C1	IH 417159
685262	GMC 450519	68775	DENCO 416149	68X87	GARLK 471466	6936LA	JN-MN 473238
685262	GMC 471271	687758	SPERY 471649	68X91	GARLK 471255	6936LPD	JN-MN 473238
68536R91	IH 475009N	687803C91	IH 714470	68X93	GARLK 471564	6936S	TIMKE 6936S
685555	GMC 470358	687900	IH 456557	6902001	ARMCO J1141	6939	FULLE 450117
685555	GMC 473231	6879H	TIMKE 6879H	6902014	EATON 455322V	6939	FULLE 472572
6855W	DIA 473473	6879LA	JN-MN 473475	69020R91	GMC 415085	6939	NATL 9568
68599	BOSTN 250437V	6879LPD	JN-MN 473475	69020R91	GMC 456648	694739	ELRNG 710824
6859S	TIMKE 6859S	687W837	CONE 5538	69028	HYST 411376	694770	ELRNG 710237
6860S	NATL 410496	688032	GMC J1109	6903	C-R 471466	6941LA	JN-MN 455080

INTERCHANGE SECTION

COMPETITIVE INTERCHANGES

Mfr No.	Mfr.	National	Mfr No.	Mfr.	National	Mfr No.	Mfr.	National	Mfr No.	Mfr.	National
6942R	JN-MN	473242	69696K	TRISL	380131A	698768	GMC	370037A	6I0C1019	REX	450519
6943	FULLE	410102	69697K	TRISL	370048A	698768	GMC	370338A	6I0C1019	REX	471271
69437	ALLCH	471795	69697K	TRISL	370182A	6988H	TIMKE	6988H	6J5232	CATER	416364
69478R91	IH	417487	69697K	TRISL	380048A	6990	C-R	471642	6J5234	CASE	J1138
69478R91	IH	455014	69698K	TRISL	370020A	6990	SKF	471642	6J5234	CATER	J1138
6949S	TIMKE	6949S	69699K	TRISL	370001A	6992	C-R	710251	6J5751	CATER	J1124
69510K	TRISL	370036A	69699K	TRISL	380001A	6992	SKF	710251	6K2430	CATER	416865
69510K	TRISL	370349A	69709AB	CASE	415138	69956	AM WH	470120	6K3159	CATER	417262
69510K	TRISL	380036A	697119R91	IH	416865	69956	AM WH	471224	6K3159	CATER	455448
695137	CLARK	470351	697119R91	IH	455070	699900120	VOLVO	1984	6K4186	CATER	416294
695137	CLARK	471504	69740	BR-ST	474255	699900081	SUBAR	223830	6K9148	CATER	415683
6951LPD	JN-MN	417608	69743K	TRISL	370106A	699900900	SUBAR	710227	6L2305	CATER	470687
69520K	TRISL	370065A	697494R91	IH	240731	699900120	SUBAR	1984	6L2P7052CA	FORD	710671
69520K	TRISL	380065A	6975LA	JN-MN	416476	6B1070	CATER	480630	6L2P7052AA	FORD	710487
6953	NATL	44052	6975LA	JN-MN	455075	6B1073	CATER	480630	6L2P7052BA	FORD	710486
6953	WMG	44052	697632	GMC	370120A	6B1156	CATER	475384	6L2P7A248AA	FORD	710484
695410	CLARK	473463	69780K	TRISL	370057A	6B1157	CATER	450533	6L2P7B498AA	FORD	710780
6954632	SPICE	100495	69781K	TRISL	370069A	6B1310	CATER	470074	6L2Z7052CA	FORD	710671
6954632	SPICE	415281N	69781K	TRISL	380069A	6B1310	CATER	474265	6L2Z7052AA	FORD	710487
6954633	SPICE	455509	69782K	TRISL	370121A	6B14538	FORD	471442	6L2Z7052BA	FORD	710486
6954631	SPICE	471192	69783K	TRISL	370004A	6B1890	CATER	455144	6L2Z7A248AA	FORD	710484
6954S	TIMKE	6954S	69784K	TRISL	370007A	6B2576	CATER	473227	6L2Z7B498AA	FORD	710780
69550	SHOV	471192	69785K	TRISL	370047A	6B2789	CATER	471224	6L347B215BA	FORD	4333N
6956	NATL	44053	69786K	TRISL	370169A	6B305	ALLCH	416888	6L347B215AA	FORD	4333N
6956	WMG	44053	69787K	TRISL	370009A	6B305	ALLCH	455200	6L3Z7B215A	FORD	4333N
6956R	JN-MN	450121	69787K	TRISL	380009A	6B3526	CATER	450040	6L4237	CATER	472287
6956R	JN-MN	472409	69788K	TRISL	370031A	6B3679	CATER	472554	6L4944	CATER	450069
6957LA	JN-MN	416107	69788K	TRISL	380031A	6B3679	CATER	474276	6L4944	CATER	473232
6957LA	JN-MN	455073	69789K	TRISL	370006A	6B5333	CATER	450082	6L4951	CATER	473224
69589K	TRISL	370013A	6979	C-R	471579	6B5333	CATER	473238	6L5027	CATER	470163
69590K	TRISL	370002A	6979	SKF	471579	6B8238	CATER	471255	6L5027	CATER	471766
69591K	TRISL	370029A	69790K	TRISL	370036A	6B9040	CATER	472015	6L5124	CATER	470954
69594K	TRISL	370026A	69790K	TRISL	370349A	6B9130	CATER	471787	6L5124	CATER	480954
69596K	TRISL	370065A	69790K	TRISL	380036A	6B9669	CATER	472185	6M029302	MACK	321516
69596K	TRISL	380065A	69791	CUMMI	474276	6BD273	IH	415147	6M029302	MACK	471516
69597K	TRISL	370036A	69791K	TRISL	370021A	6BD273	IH	415449	6M5G6700BA	FORD	711002
69597K	TRISL	370349A	69792K	TRISL	370019A	6BX6700	FORD	41787S	6MO19303	MACK	471795
69597K	TRISL	380036A	69793K	TRISL	370022A	6C241S175AA	FORD	710586	6MO29302	MACK	321516
69598K	TRISL	370025A	69793K	TRISL	380022A	6C2Z1S175A	FORD	710586	6MO29302	MACK	471516
69598K	TRISL	380025A	69794K	TRISL	370023A	6E517A248AA	FORD	710539	6U0598625	AUDI	1962
69598K	TRISL	386025A	69794K	TRISL	380023A	6E517H260AA	FORD	710590	6U0598625	VW	1962
69599K	TRISL	370037A	69795K	TRISL	370030A	6E537H260AA	FORD	710590	6V1603	CATER	340827
69599K	TRISL	370338A	69797K	TRISL	370019A	6E537J216AA	FORD	710590	6V1899	CATER	470163V
6960	TIMKE	6960	69798K	TRISL	370005A	6E537J216BA	FORD	710700	6V3365	CATER	471466V
69623	BOSTN	8597S	69799K	TRISL	370003A	6E5Z1177A	FORD	710590	6V3382	CATER	473468
69628K	TRISL	370033A	69799K	TRISL	380003A	6E5Z1177D	FORD	710590	6V3988	CATER	470567N
6962S	TIMKE	3103	698028	WHITE	370023A	6E5Z1177E	FORD	710700	6V4253	CATER	470553
69634H	IH	450082	698028	WHITE	380023A	6E5Z1177C	FORD	710590	6V4253	CATER	471224
69634H	IH	473238	698318R91	IH	471689	6E5Z7A248B	FORD	710539	6V4427	CATER	410519
69647	BOSTN	450621	698444R91	IH	370036A	6EQX4676	FORD	410101N	6V4427	CATER	471271
69656	CUMMI	473224	698444R91	NAVST	370349A	6F1011	MTR-C	343185	6V5029	CATER	330385
69687K	TRISL	370002A	698444R91	NAVST	380036A	6F5772	CATER	470712	6V5259	CATER	413246
69688K	TRISL	370002A	698446R91	IH	410085	6F848	CATER	450412	6V5259	CATER	413246N
69689K	TRISL	370011A	698446R91	IH	470530	6G9N6701AA	FORD	710789	6V5607	CATER	416011
69690K	TRISL	370007A	698447R91	IH	410183N	6H3580	CATER	411500	6V5607	CATER	417621
69691K	TRISL	370015A	698448R91	IH	415138	6H3955	CATER	450494	6V6838	CATER	415303
69692K	TRISL	370124A	698449R91	IH	410496	6H3955	CATER	472164	6V7196	CATER	416404
69693K	TRISL	370012A	698457R91	IH	415016N	6H399	CATER	416956	6V9748	CATER	472653
69695K	TRISL	370054A	6985	TIMKE	6985	6H3999	CATER	416956	6X5221K	JOHND	6575S
69696K	TRISL	370131A	69858	BR-ST	471760	6H7049	CATER	416470N	7	BL-KN	416865

INTERCHANGE SECTION

COMPETITIVE INTERCHANGES



Mfr No.	Mfr. National	Mfr No.	Mfr. National	Mfr No.	Mfr. National	Mfr No.	Mfr. National
7	BL-KN 455070	700524	CABOT 416666	7012	JN-MN 370037A	70246926	FI-AL 471268N
707922	OPEL 710699	700524	GR-DV 416666	7012	JN-MN 370338A	70250857	FI-AL 200851
7509358	OPEL 710786	70052662	FI-AL 240735	7012	SKF 221820	70258D	IH 450082
719	TW-CO 450194	70053	C-R 416239	701224	GMC 370019A	70258D	IH 473238
719	TW-CO 473010	70053	SKF 416239	701225	GMC 370021A	702595	CHECK 203006
7AX302	OLIVE 450519	700532X20	TROS 370006A	701226	ACDEL 370005A	70259D	IH 470059
7AX302	OLIVE 471271	70053517	FI-AL 417205	701226	GMC 370005A	70259D	IH 470380
7Y1039	KEN 473215	70053670	FI-AL 417316	701241A	ALLCH 471442	702672445	DAF 228009
700	UNIVE 416239	70053670	FI-AL 455004	701241A	WAUKE 471442	7027LA	JN-MN 415082
7001260	TRMBL 370036A	70053927	FI-AL 240733	7013	JN-MN 370036A	702VB7	MARI 416239
7001260	TRMBL 370349A	70054295	FI-AL 411394	7013	JN-MN 370349A	703	EBARR 370023A
7001260L	TRMBL 370036A	70054295	FI-AL 450317	7013S	TIMKE 7013S	703011	SPICE 100712V
7001260L	TRMBL 370349A	70054815	TROS 416666	701400	MECH 370150A	70302	CHECK 200354
7001260T	TRMBL 370036A	70059947	FI-AL 470898	70140408	FI-AL 470530	703078	GMC 416273
7001260T	TRMBL 370349A	7006	C-R 710156	7014631	SPICE 415991	70313	CONCA 450117
7001261B	TRMBL 370020A	7006	SKF 710156	7014631	SPICE 455146	70313	CONCA 472572
7000753	FORD 471870	700603002	FI-AL 470045	7014632	SPICE 417366	7031LUP	JN-MN 470074
7000753	FORD 471883	700603002	FI-AL 476838	7014LA	JN-MN 455032	7031LUP	JN-MN 474265
700077	CLARK 416167	70064302	FI-AL 450095	7014S	TIMKE 7014S	7032LA	JN-MN 471705
700077	CLARK 455091	70064302	FI-AL 473464	7015LA	JN-MN 455022	7032S	NATL 410059
7001575	FORD 415003	70066309	FI-AL 455018	70164368	FI-AL 327303	7032S	NATL 470380
7001575	FORD 415458	70066309	FI-AL 476470	701679	GMC 370005A	70337	ALLCH 481163
70016	C-R 416364	70067913	FI-AL 471820	70169	CUMMI 473016	7033LA	JN-MN 470548
70016	SKF 416364	70067914	FI-AL 470169	7016SS	JN-MN 350364	7033LA	JN-MN 470625
700263	WHITE 370001A	70067914	FI-AL 473214	70171	C-R JV701	7033LUP	JN-MN 470625
700263	WHITE 380001A	70068513	FI-AL 472144	70171	SKF JV701	7034LA	JN-MN 470954
700267	KOEHL 450494	7007	C-R 710154	70173735	FI-AL 415991	703587	OPEL 710543
700267	KOEHL 472164	7007	JN-MN 370025A	70179177	FI-AL 455655	703591	FORD 323138
70028	C-R 417597	7007	SKF 710154	70179643	FI-AL 415023	703628	OPEL 221207
70028	SKF 417597	70073	CUMMI 417486	70179737	FI-AL 352541	7036R	JN-MN 456105
7003	C-R 710222	70074961	FI-AL 412040	70180612	FI-AL 415683	703752	CHECK 8871
7003	SKF 710222	70074962	FI-AL 450365	70181937	FI-AL 416865	7037SS	JN-MN 350435
70030504	FI-AL 471567	70074962	FI-AL 470898	70194679	FI-AL 476424N	7038SA	TIMKE 7038SA
70033146	FI-AL 473238	70075767	FI-AL 450365	70196298	FI-AL 415142	703VB7	MARI 415116
700331462	FI-AL 473238	70075767	FI-AL 470898	70196495	FI-AL 416339	704	EBARR 370001A
70034	AM WH 450118	70075978	FI-AL 471276	70196496	FI-AL 415867	704	UNIVE 415116
70034	AM WH 473449	70078329	FI-AL 471689	70198477	FI-AL 416282	70401179	FI-AL 472016
70034	C-R 417255	70078593	FI-AL 416167	70198578	FI-AL 415234	7040LA	JN-MN 455195
70034	SKF 417255	70079276	FI-AL 6703S	70198908	FI-AL 415725	7040LA	JN-MN 472157
70037676	FI-AL 450083	70080	C-R 416239	702	EBARR 370025A	7040LUP	JN-MN 455195
70037676	FI-AL 472924	70080	SKF 416239	702	UNIVE 416077	7040LUP	JN-MN 472157
70037764	AA&M 710548	70082179	FI-AL 200640	702994	ELRNG 229005	7042LPD	JN-MN 417262
7004	C-R 221820	700850	MICH 416239	70218284	FI-AL 415960	7042LPD	JN-MN 455448
7004	SKF 221820	700850	UNIVE 416239	70218284	FI-AL 455009	7042LUP	JN-MN 417262
70043570	FI-AL 450273	7009	C-R 221830	7022	AT SU 7022S	7042LUP	JN-MN 455448
70044120	FI-AL 470074	7009	SKF 221830	70229966	FI-AL 472185	7042S	NATL 416892
70044120	FI-AL 474265	70090655	FI-AL 471224	7022S	TIMKE 7022S	7043016A	KRSE 471870
70044741	FI-AL 471763	70096761	FI-AL 450352	7023	C-R 221830	7043016A	KRSE 471883
70048703	FI-AL 415449	70096761	FI-AL 472164	7023	JN-MN 370065A	7043014A	KRSE 471765
70048703	FI-AL 455147	70099	C-R 415876	7023	JN-MN 376590A	704303	GMC 370057A
70048720	FI-AL 471785	70099	SKF 415876	7023	SKF 221830	7044139	FT-WA 473237
7005	C-R 221830	701	EBARR 370065A	70234013	FI-AL 473245	7044NA	TIMKE 7044NA
7005	SKF 221830	70107	CUMMI 40162S	70235312	FI-AL 417344	70462H	IH 350414
70050420	TROS 370006A	701115M1	MASSE 50266	70236065	FI-AL 470163	70462H	IH 472311
70051145	FI-AL 417205	701119	WILYS 5778	70236065	FI-AL 471766	704636	CLARK 455005
70052	C-R 416239	7011LA	JN-MN 470347	70241D	IH 471192	70463H	IH 323138
70052	SKF 416239	7011LA	JN-MN 474254	70242D	IH 472439	70464H	IH 474278
70052115	FI-AL 417247	7011LUP	JN-MN 470347	70243D	IH 450115	70464H	IH 480356
70052115	FIAT 417247	7011LUP	JN-MN 474254	70243D	IH 473467	70465H	IH 474276
70052176	FI-AL 455035N	7012	C-R 221820	70244961	FI-AL 473215	70466H	IH 450400

INTERCHANGE SECTION

COMPETITIVE INTERCHANGES

Mfr No.	Mfr.	National	Mfr No.	Mfr.	National	Mfr No.	Mfr.	National	Mfr No.	Mfr.	National
7047LA	JN-MN	473224	70628940	FI-AL	476470	7074R	JN-MN	417211	709840C1	IH	417172
704813	FORD	450154	70628941	FI-AL	415147	7075336	IH	J1128	709928	GMC	471570
704813	FORD	473234	70628941	FI-AL	415449	70761	CUMMI	350954	709VB7	GR-DV	416364
704862	UNIVE	416077	70629040	FI-AL	415004	70761	CUMMI	470954	70HM6700A1A	FORD	473560N
704863	MICH	416077	70629040	FI-AL	417316	7076270	WHITE	370001A	71	WGEAR	415984
7048LPD	JN-MN	473233	70632608	FI-AL	471413V	7076270	WHITE	380001A	710	EBARR	370022A
704925	GMC	370003A	70633630	FI-AL	450095	707821	WILYS	8160S	710	UNIVE	417598
704925	GMC	380003A	70633630	FI-AL	473464	7079387	SAAB	1209	710005	TIMKE	710005
704VB7	MARI	415116	70634005	FI-AL	471765	707943	MIXMO	474278	710006	TIMKE	710006
705	EBARR	370048A	70634037	FI-AL	417344	707943	MIXMO	480356	71000600	AJUSA	710617
70506	AM WH	450301	70634037	FI-AL	455006	707963	MIXMO	6597S	710008	TIMKE	710008
70506	AM WH	472397	70634519	FI-AL	417269	707973	WILYS	472560N	710009	CLARK	416154
705216	GMC	6712NA	70635778	FI-AL	415013	707973	WILYS	50151S	71001100	AJUSA	710812
70522	CUMMI	2291	70635778	FI-AL	415995	7079LA	JN-MN	470954	710013	TIMKE	710013
705339C1	IH	416071	706400	MECH	370048A	707VB7	MARI	455121	710014	TIMKE	710014
705362C1	IH	415023	706400	MECH	370182A	708	EBARR	370036A	710019	TIMKE	710019
705399C1	IH	416071	706400	MECH	380048A	708	UNIVE	415551	710022	TIMKE	710022
705400	MECH	370001A	706400	MID	370048A	70826TA	TRSCM	417597	710023	TIMKE	710023
705400	MECH	380001A	706400	MID	370182A	708400	MECH	370007A	710024	TIMKE	710024
705400	MID	380001A	706400	MID	380048A	7084631	SPICE	473215	710025	TIMKE	710025
7054LUP	JN-MN	470712	70643560	FI-AL	471267	708510	GMC	410972N	710026	TIMKE	710026
705762	GMC	370057A	7064631	SPICE	455018	708511	GMC	412038N	710027	TIMKE	710027
7057S	NATL	3103	7064631	SPICE	476470	708551	MIXMO	5751	710028	TIMKE	710028
705VB7	MARI	415551	70648620	FI-AL	416345	708556	MIXMO	471192	71002800	AJUSA	710759
706035	ELRNG	224255	70648620	FI-AL	455033	70855610	TROS	416476	710029	TIMKE	710029
70603007	FI-AL	471795	70649266	FI-AL	415995V	70855610	TROS	455075	71002900	AJUSA	710759
70603462	FI-AL	473016	7064S	NATL	330663	708558	MIXMO	450084	710030	TIMKE	710030
70604973	FI-AL	416888	7064S	NATL	472354	708559	MIXMO	473215	710033	NATL	710027
70604973	FI-AL	455200	70650577	FI-AL	471529	708566	MIXMO	450115	710034	TIMKE	710034
70605093	FI-AL	450311	70651299	FI-AL	415483	708566	MIXMO	473467	71003600	AJUSA	710812
70611761	FI-AL	455035N	70652662	FI-AL	240735	70856TA	TRSCM	416239	71003700	AJUSA	710600
70611763	FI-AL	415254	70654805	FI-AL	417355	708573	MIXMO	474274	710038	TIMKE	710038
70611765	FI-AL	415035	7065480501	FI-AL	417355	708575	MIXMO	410308	710041	TIMKE	710041
70611765	FI-AL	455035	70657582	FI-AL	416921	708575	MIXMO	450308	710043	TIMKE	710043
706153	GMC	481181	70658114	FI-AL	415147N	708583	MIXMO	352541	710044	TIMKE	710044
706153	GMC	481181N	70658942	FI-AL	416470N	708590	MIXMO	415041	710045	TIMKE	710045
706165	WILYS	416738	70668033	FI-AL	340771	708600	MIXMO	415483	710046	TIMKE	710046
706165	WILYS	450096	70669846	FI-AL	413246	708600	MIXMO	455368	71004911	FI-AL	471267
70618662	FI-AL	470954	70669846	FI-AL	413246N	708606	MIXMO	415437	710050	NATL	712011
70618662	FI-AL	480954	70669847	FI-AL	471529	708612	MIXMO	450177	710051	TIMKE	710051
70619888	FI-AL	450183	70670186	FI-AL	415281N	708643	GMC	416297	71005117	FI-AL	415248N
70619888	FI-AL	472179	706765	GMC	370030A	708725	GMC	351267	710054	NATL	3622
70619890	FI-AL	416891	70677188	FI-AL	471787	708725	GMC	471267	71005400	AJUSA	710811
70619900	FI-AL	471138	70680622	FI-AL	470596	708790	GMC	418028	710055	TW-CO	450352
7062	GARLK	240736	70684807	FI-AL	J1278	708790	GMC	455137	710055	TW-CO	472164
70620784	FI-AL	450194	70696317	FI-AL	415234	7087R	JN-MN	415219	710056	TIMKE	710056
70620784	FI-AL	473010	70699928	FI-AL	450519	7088221	VAUXH	471787	71005600	AJUSA	710449
70620871	FI-AL	470358	70699928	FI-AL	471271	708875	MICH	415116	710057	TIMKE	710057
70620871	FI-AL	473231	706VB7	MARI	470120	708875	UNIVE	415116	710058	TIMKE	710058
70623823	FI-AL	410316	706VB7	MARI	471224	7089	C-R	710412	710060	TIMKE	710060
70623823	FI-AL	472636	707004	OPEL	710889	7089	SKF	710412	710062	TIMKE	710062
70624650	FI-AL	451817	70703	ALLCH	240319	70894	CUMMI	451147H	71006200	AJUSA	710787
70624653	FI-AL	411376	707237	WILYS	340797	709	EBARR	370003A	710064	NATL	225220
70628357	FI-AL	415991	7073553	ELGIN	370048A	70927023	FI-AL	6988H	710065	TIMKE	710065
70628357	FI-AL	415991N	7073LA	JN-MN	470358	70927283	FI-AL	417474	710067	TIMKE	710067
70628485	FI-AL	415098N	7073LA	JN-MN	473231	70928058	FI-AL	417247	710068	TIMKE	710068
70628823	FI-AL	410316	7073LUP	JN-MN	470358	70928436	FI-AL	415854	710069	TIMKE	710069
70628823	FI-AL	472636	7073LUP	JN-MN	473231	7093974	SAAB	239146	710070	TIMKE	710070
70628894	FI-AL	415379	707414	WILYS	474278	709400	MECH	370012A	710071	TIMKE	710071
70628940	FI-AL	415304	707414	WILYS	480356	709446	MIXMO	455186	710071000	JA-HE	416666

INTERCHANGE SECTION

COMPETITIVE INTERCHANGES



Mfr No.	Mfr. National	Mfr No.	Mfr. National	Mfr No.	Mfr. National	Mfr No.	Mfr. National
710072	TIMKE 710072	710144	TIMKE 710144	710225	TIMKE 710225	710304	TIMKE 710304
710073	TIMKE 710073	710146	TIMKE 710146	710226	TIMKE 710226	710305	TIMKE 710305
710075	TIMKE 710075	710147	TIMKE 710147	710227	TIMKE 710227	710306	TIMKE 710306
710076	TIMKE 710076	710148	TIMKE 710148	710228	TIMKE 710228	710308	TIMKE 710308
710077	TIMKE 710077	710148	WILYS 416738	710230	TIMKE 710230	710309	TIMKE 710309
710078	TIMKE 710078	710148	WILYS 450096	710231	TIMKE 710231	710310	TIMKE 710310
71007900	AJUSA 710882	710150	TIMKE 710150	710232	TIMKE 710232	710311	TIMKE 710311
710080	TIMKE 710080	710151	TIMKE 710151	710233	TIMKE 710233	710312	TIMKE 710312
710081	TIMKE 710081	710153	TIMKE 710153	710234	TIMKE 710234	710313	TIMKE 710313
710084	TIMKE 710084	710154	TIMKE 710154	710235	TIMKE 710235	710314	TIMKE 710314
710085	TIMKE 710085	710156	TIMKE 710156	710236	TIMKE 710236	710315	TIMKE 710315
710086	TIMKE 710086	710157	TIMKE 710157	710237	TIMKE 710237	710316	TIMKE 710316
710087	TIMKE 710087	710159	TIMKE 710159	710239	TIMKE 710239	710317	TIMKE 710317
710088	TIMKE 710088	710160	TIMKE 710160	710240	TIMKE 710240	710318	TIMKE 710318
710089	TIMKE 710089	710161	TIMKE 710161	710241	TIMKE 710241	710319	TIMKE 710319
710091	TIMKE 710091	710162	TIMKE 710162	710245	TIMKE 710245	710320	TIMKE 710320
710092	TIMKE 710092	710163	TIMKE 710163	710246	TIMKE 710246	710323	TIMKE 710323
710093	TIMKE 710093	710164	TIMKE 710164	710247	TIMKE 710247	710324	TIMKE 710324
710094	TIMKE 710094	710166	TIMKE 710166	710248	TIMKE 710248	710325	TIMKE 710325
710095	TIMKE 710095	710167	TIMKE 710167	710250	TIMKE 710250	710329	TIMKE 710329
710096	TIMKE 710096	710168	TIMKE 710168	710251	TIMKE 710251	710330	TIMKE 710330
710097	TIMKE 710097	710169	TIMKE 710169	710252	TIMKE 710252	710331	TIMKE 710331
710098	TIMKE 710098	710170	TIMKE 710170	710253	TIMKE 710253	710332	TIMKE 710332
71009800	AJUSA 223750	710171	TIMKE 710171	710254	TIMKE 710254	710334	TIMKE 710334
710101	TIMKE 710101	710172	TIMKE 710172	710255	TIMKE 710255	710336	TIMKE 710336
710102	TIMKE 710102	710173	TIMKE 710173	710258	TIMKE 710258	710337	TIMKE 710337
710103	TIMKE 710103	710175	TIMKE 710175	710259	TIMKE 710259	710338	TIMKE 710338
710105	TIMKE 710105	710176	TIMKE 710176	710261	TIMKE 710261	710343	TIMKE 710343
710106	TIMKE 710106	710178	TIMKE 710178	710262	TIMKE 710262	710345	TIMKE 710345
710107	TIMKE 710107	710179	TIMKE 710179	710263	TIMKE 710263	710352	TIMKE 710352
710108	TIMKE 710108	710180	TIMKE 710180	710264	TIMKE 710264	710354	TIMKE 710354
710109	TIMKE 710109	710182	TIMKE 710182	710265	TIMKE 710265	710355	TIMKE 710355
710110	TIMKE 710110	710183	TIMKE 710183	710266	TIMKE 710266	710356	TIMKE 710356
710112	TIMKE 710112	710187	TIMKE 710187	710268	TIMKE 710268	710357	TIMKE 710357
710113	TIMKE 710113	710188	TIMKE 710188	710271	TIMKE 710271	710360	GMC 370019A
710114	TIMKE 710114	710189	TIMKE 710189	710272	TIMKE 710272	710361	TIMKE 710361
710115	TIMKE 710115	710190	TIMKE 710190	710274	TIMKE 710274	710363	TIMKE 710363
710116	TIMKE 710116	710191	TIMKE 710191	710275	TIMKE 710275	710365	TIMKE 710365
710117	TIMKE 710117	710192	TIMKE 710192	710277	TIMKE 710277	710368	TIMKE 710421
710118	TIMKE 710118	710193	TIMKE 710193	710278	TIMKE 710278	710369	TIMKE 710369
710119	TIMKE 710119	710194	TIMKE 710194	710279	TIMKE 710279	710371	TIMKE 710371
710120	TIMKE 710120	710195	TIMKE 710195	710281	TIMKE 710281	710373	TIMKE 710373
710121	TIMKE 710121	710196	TIMKE 710196	710282	TIMKE 710282	710380	TIMKE 710556
710122	TIMKE 710122	710197	TIMKE 710197	710283	TIMKE 710283	710383	TIMKE 710383
710123	TIMKE 710123	710198	TIMKE 710198	710285	TIMKE 710285	710384	TIMKE 710384
710124	TIMKE 710124	710199	TIMKE 710199	710286	TIMKE 710286	710385	TIMKE 710385
710125	TIMKE 710125	710202	TIMKE 710202	710287	TIMKE 710287	710387	TIMKE 710387
710127	TIMKE 710127	710204	TIMKE 710204	710288	TIMKE 710288	710388	TIMKE 710388
710128	TIMKE 710128	710207	TIMKE 710207	710289	TIMKE 710289	710389	TIMKE 710389
710130	TIMKE 710130	710208	TIMKE 710208	710290	TIMKE 710290	710392	TIMKE 710392
710132	TIMKE 710132	710211	TIMKE 710211	710292	TIMKE 710292	710393	TIMKE 710393
710133	TIMKE 710133	710213	TIMKE 710213	710293	TIMKE 710293	710394	TIMKE 710394
710134	TIMKE 710134	710214	TIMKE 710214	710295	TIMKE 710295	710396	TIMKE 710396
710136	TIMKE 710136	710215	TIMKE 710215	710296	TIMKE 710296	710397	TIMKE 710397
710137	TIMKE 710137	710217	TIMKE 710217	710297	TIMKE 710297	710398	TIMKE 710398
710138	TIMKE 710138	710218	TIMKE 710218	710298	TIMKE 710298	710399	TIMKE 710399
710139	TIMKE 710139	710220	TIMKE 710220	710299	TIMKE 710299	710400	MECH 370018A
710141	TIMKE 710141	710221	TIMKE 710221	710300	TIMKE 710300	710401	TIMKE 710401
710142	TIMKE 710142	710222	TIMKE 710222	710302	TIMKE 710302	710402	TIMKE 710402
710143	TIMKE 710143	710223	TIMKE 710223	710303	TIMKE 710303	710403	TIMKE 710403

INTERCHANGE SECTION

COMPETITIVE INTERCHANGES

Mfr No.	Mfr. National	Mfr No.	Mfr. National	Mfr No.	Mfr. National	Mfr No.	Mfr. National
710404	TIMKE 710404	710478	TIMKE 710478	710553	TIMKE 710553	710653	TIMKE 710653
710405	TIMKE 710405	710479	TIMKE 710479	710554	TIMKE 710554	710654	TIMKE 710654
710406	TIMKE 710406	710480	TIMKE 710480	710555	TIMKE 710555	710655	TIMKE 710655
710407	TIMKE 710407	710481	TIMKE 710481	710557	TIMKE 710557	710659	TIMKE 710659
710409	TIMKE 710409	710482	TIMKE 710482	710558	TIMKE 710558	710660	TIMKE 710660
710410	TIMKE 710518	710484	TIMKE 710484	710559	TIMKE 710867	710661	TIMKE 710661
710411	TIMKE 710458	710485	TIMKE 710485	710561	TIMKE 710561	710662	TIMKE 710662
710412	TIMKE 710412	710486	TIMKE 710486	710562	TIMKE 710562	710663	TIMKE 710663
710413	TIMKE 710413	710487	TIMKE 710487	710563	TIMKE 710563	710664	TIMKE 710664
710414	TIMKE 710414	710489	TIMKE 710489	710564	TIMKE 710564	710665	TIMKE 710665
710415	TIMKE 710415	710491	TIMKE 710491	710565	TIMKE 710565	710667	TIMKE 710667
710416	TIMKE 710416	710492	TIMKE 710492	710566	TIMKE 710566	710669	TIMKE 710669
710418	TIMKE 710418	710493	TIMKE 710493	710567	TIMKE 710567	710676	TIMKE 710676
710419	TIMKE 710419	710494	TIMKE 710494	710569	TIMKE 710569	710679	TIMKE 710679
710422	TIMKE 710422	710495	TIMKE 710495	710570	TIMKE 710570	710681	TIMKE 710681
710424	TIMKE 710424	710496	TIMKE 710496	710571	TIMKE 710571	710685	TIMKE 710685
710425	TIMKE 710425	710497	TIMKE 710497	710573	TIMKE 710573	710688	TIMKE 710688
710426	TIMKE 710426	710501	TIMKE 710501	710576	TIMKE 710576	710689	TIMKE 710689
710428	TIMKE 710428	710502	TIMKE 710502	710577	TIMKE 710577	710690	TIMKE 710690
710429	TIMKE 710429	710504	TIMKE 710504	710582	TIMKE 710582	710692	TIMKE 710692
710430	TIMKE 710430	710505	TIMKE 710505	710583	TIMKE 710583	710693	TIMKE 710693
710431	TIMKE 710431	710506	TIMKE 710506	710584	TIMKE 710584	710695	CLARK 455026
710432	TIMKE 710432	710507	TIMKE 710507	710585	TIMKE 710585	710700	TIMKE 710700
710436	TIMKE 710436	710508	TIMKE 710508	710586	TIMKE 710586	710701	TIMKE 710701
710437	TIMKE 710437	710511	TIMKE 710511	710587	TIMKE 710587	710707	TIMKE 710707
710439	TIMKE 710439	710512	TIMKE 710512	710588	TIMKE 710588	710715	TIMKE 710715
710441	TIMKE 710441	710515	TIMKE 1108	710589	TIMKE 710589	710716	TIMKE 710716
710442	TIMKE 710442	710516	TIMKE 710516	710590	TIMKE 710590	710717	TIMKE 710717
710443	TIMKE 710808	710517	TIMKE 710517	710595	TIMKE 710595	710731	TIMKE 710731
710444	TIMKE 710444	710519	TIMKE 710519	710596	TIMKE 710596	710732	TIMKE 710732
710445	TIMKE 710445	710520	TIMKE 710520	710597	TIMKE 710597	710733	TIMKE 710733
710446	TIMKE 710446	710521	TIMKE 710521	7105S	TIMKE 7105S	710736	TIMKE 710736
710447	TIMKE 710447	710522	TIMKE 710522	710600	TIMKE 710600	710737	TIMKE 710737
710449	TIMKE 710449	710523	TIMKE 710523	710601	TIMKE 710601	710738	TIMKE 710738
710450	TIMKE 710450	710524	TIMKE 710524	710605	TIMKE 710605	710740	TIMKE 710740
710451	TIMKE 710451	710525	TIMKE 710525	710607	TIMKE 710607	710761	TIMKE 710761
710452	TIMKE 710452	710526	TIMKE 710526	710608	TIMKE 710608	710764	TIMKE 710764
710453	TIMKE 710453	710527	TIMKE 710527	710610	TIMKE 710610	710767	TIMKE 710767
710454	TIMKE 710454	710528	TIMKE 710528	710611	TIMKE 710611	710768	TIMKE 710768
710455	TIMKE 710455	710529	TIMKE 710529	710614	TIMKE 710614	710776	TIMKE 710776
710456	TIMKE 710456	710530	TIMKE 710530	710618	TIMKE 710618	710785	TIMKE 710785
710459	TIMKE 710459	710531	TIMKE 710531	710621	TIMKE 710621	710790	TIMKE 710790
710461	TIMKE 710461	710532	TIMKE 710532	710626	TIMKE 710626	7107LA	JN-MN 415066
710462	TIMKE 710462	710533	TIMKE 710533	710627	TIMKE 710627	710802	CLARK 416888
710463	TIMKE 710463	710535	TIMKE 710535	710628	TIMKE 710628	710802	CLARK 455200
7104631	SPICE 410316	710536	GMC 370018A	710629	TIMKE 710629	710805	CLARK 415437
7104631	SPICE 472636	710536	TIMKE 710536	710630	TIMKE 710630	710805	CLARK 455173
710464	TIMKE 710464	710537	TIMKE 710537	710631	TIMKE 710631	710811	TIMKE 710811
710465	TIMKE 710465	710538	TIMKE 710538	710632	TIMKE 710632	710818	TIMKE 710818
710466	TIMKE 710466	710539	TIMKE 710539	710633	TIMKE 710633	710822	TIMKE 710822
710467	TIMKE 710467	710540	TIMKE 710540	710634	TIMKE 710634	710823	TIMKE 710823
710468	TIMKE 710468	710543	TIMKE 710543	710636	TIMKE 710636	710900	TIMKE 710900
710469	TIMKE 710469	710544	TIMKE 710544	710637	TIMKE 710637	710928	TIMKE 710928
710471	TIMKE 710471	710545	TIMKE 710545	710640	TIMKE 710640	710939	WILYS 416738
710472	TIMKE 710472	710546	TIMKE 710546	710641	TIMKE 710641	710939	WILYS 450096
710473	TIMKE 710473	710547	TIMKE 710547	710642	TIMKE 710642	710983	CLARK 416865
710474	TIMKE 710474	710548	TIMKE 710548	710644	TIMKE 710644	710983	CLARK 455070
710475	TIMKE 710648	710549	TIMKE 710549	710648	TIMKE 710648	710984	CLARK 417134
710476	TIMKE 710476	710550	TIMKE 710550	710649	TIMKE 710649	710985	CLARK 415150
710477	TIMKE 710477	710551	TIMKE 710551	710652	TIMKE 710652	7109LA	JN-MN 40769S

INTERCHANGE SECTION

COMPETITIVE INTERCHANGES



Mfr No.	Mfr. National	Mfr No.	Mfr. National	Mfr No.	Mfr. National	Mfr No.	Mfr. National
711000	TIMKE 711000	712045	MIXMO 473459	71406	BOSTN 450536	715100	TIMKE 715100
71102	AM WH 470062	712146	TIMKE 712146	71406	BOSTN 471535	71524C91	IH 416380
71102	AM WH 474264	7122	C-R 50405	714075	TIMKE 714075	715506	GMC 370015A
711035	WOOL 416865	7122	SKF 50405	714260	GMC 470712	71558	CROWN 350414
711035	WOOL 455070	712250	TIMKE 712250	714400	MECH 370124A	71558	CROWN 472311
7110LA	JN-MN 415458	712260	TIMKE 712260	714436	TIMKE 714436	715707	WHITE 410085
7110LA	JN-MN 455003	712270	TIMKE 712270	714470	TIMKE 714470	715707	WHITE 470530
7110LUP	JN-MN 415458	7123300	L&S 493637	7144LPD	JN-MN 417539	715767	WHITE 410085
7110LUP	JN-MN 455003	712375	TIMKE 712375	714503	TIMKE 714503	715767	WHITE 470530
711181	TIMKE 711181	712397	GMC 450095	714512	TIMKE 714512	7158RPD	JN-MN 471466
7112	FULLE 471686	712397	GMC 473464	714550	WHITE 470027	71597C91	IH 452222
7112LA	JN-MN 415645	7124003	L&S 4160	714550	WHITE 471554	7160	ALLCH 450083
7112LA	JN-MN 455104	712449	TIMKE 712449	714558	NATL 4795V	7160	ALLCH 472924
7112LUP	JN-MN 415645	71245	C-R 416077	714559	NATL 4795V	7160	TRAC 450083
7113LA	JN-MN 416891	71245	SKF 416077	714569	TIMKE 714569	7160	TRAC 472924
7114775	L&S 3357	712511	TIMKE 712511	714599	WHITE 417484N	716102	TIMKE 716102
7114978	L&S 7692S	712551	TIMKE 712551	714599	WHITE 475322N	716122	GMC 370048A
711535	SPERY 473239	712598S	TIMKE 712598	7145LPD	JN-MN 416892	716122	GMC 370182A
711552	TIMKE 711552	712625	TIMKE 712625	7145LUP	JN-MN 416892	716122	GMC 380048A
711553	TIMKE 711553	712692	TIMKE 712692	714616	TIMKE 714616	7162	BORGW 450362
7116032	L&S 1950	712750	TIMKE 712750	7146310	SPICE 412473	716445	TIMKE 3698
7116725	L&S 7300S	712831	GMC 370009A	7146310	SPICE 415894	716484	TIMKE 716484
7116LA	JN-MN 470120	712831	GMC 380009A	7146311	SPICE 415995	7165RPD	JN-MN 415066
7116LA	JN-MN 471224	712832	GMC 370012A	7146311	SPICE 455013	716689	WHITE 415304
7116LUP	JN-MN 470120	712833	GMC 370018A	7146313	SPICE 450494	716689	WHITE 476470
7116LUP	JN-MN 471224	712834	GMC 370024A	7146313	SPICE 472164	7166RPD	JN-MN 415036
7117120	FORD 482041N	712834	VOLVO 370024A	7146314	SPICE 412473	716761	WHITE 415060
711780HB	IH 450070	712834	WHITE 370024A	7146314	SPICE 415894	716888	WHITE 416654
711780HB	IH 472185	712887	UNIVE 455117	7146315	SPICE 417171	716888	WHITE 455012
711818	C-R 722108	7128LA	JN-MN 417316	7146317	SPICE 471267	71690	ALLCH 40438S
711818	SKF 722108	7128LA	JN-MN 455004	7146319	SPICE 471646	716900	UNIVE 415551
711822	C-R 710044	7128LUP	JN-MN 417316	714632	SPICE 415995	716901	MICH 415551
711822	SKF 710044	7128LUP	JN-MN 455004	714632	SPICE 455013	71696C1	IH 415458
7119763	L&S 4148	712937	TIMKE 712937	7146325	SPICE 415013N	71697C1	IH 473467
7119763	L&S 471424	712938	TIMKE 712938	7146325	SPICE 415995V	71700	ALLCH 45013S
7119776	L&S 4148	712998	GMC 5188	714634	SPICE 417171	717003	NATL 417967
712	UNIVE 455406	712999	GMC 5189	714635	SPICE 415137	717004	TIMKE 717004
712000	TIMKE 712000	7130LA	JN-MN 415036	714635	SPICE 418028	717005	TIMKE 717005
712001	TIMKE 712001	713103	TIMKE 713103	714636	SPICE 417171	71719C1	IH 471835
712005	TIMKE 712005	7131R	JN-MN 450867	714637	SPICE 418028	71739386	FIAT 224200
712006	TIMKE 712006	7131R	JN-MN 470898	714637	SPICE 455137	71739825	FIAT 710799
712007	TIMKE 712007	713256	WHITE 474278	714639	SPICE 470059	717400	MECH 370011A
712008	TIMKE 712008	713256	WHITE 480356	714639	SPICE 470380	717410	WHITE 415991
712009	TIMKE 712009	713290	WHITE 410101N	714654	TIMKE 714654	717410	WHITE 415991N
712010	TIMKE 710313	713400	MECH 370057A	714655	TIMKE 714655	71741820	FIAT 223552
712011	TIMKE 712011	7134631	SPICE 450183	714670	TIMKE 714670	71747834	ALFAR 710616
712012	TIMKE 712012	7134631	SPICE 472179	714675	TIMKE 714675	71749915	ALFAR 710674
712013	TIMKE 712013	713528	BUC-E 416476	714679	TIMKE 714679	71749915	FIAT 710674
712014	TIMKE 712014	713528	BUC-E 455075	7146LPD	JN-MN 415379	71753052	ALFAR 223010
712015	TIMKE 712015	713528	GR-DV 55078S	7146LPD	JN-MN 455379	717703	WHITE 415304
712016	TIMKE 712016	713528	MINMA 416476	7146LUP	JN-MN 415379	717703	WHITE 476470
712018	TIMKE 712018	713528	MINMA 455075	7146LUP	JN-MN 455379	718600	ELRNG 710887
712019	TIMKE 712019	713750	NATL 2377	714702	WHITE 370036A	7180LPD	JN-MN 415482
712021	TIMKE 712021	713750	TIMKE 713750	714702	WHITE 370349A	7180LUP	JN-MN 415482
712022	TIMKE 712022	713771	TIMKE 713771	714702	WHITE 380036A	718130	WHITE 410308
712023	TIMKE 712023	71390	VICK 470064	714713	TIMKE 714713	718130	WHITE 450308
712024	TIMKE 712024	71390	VICK 471821	714750	TIMKE 714750	718170	WHITE 415085
712025	TIMKE 712025	713938	WHITE 410316	71489	C-P 340385	718170	WHITE 456648
712027	TIMKE 712027	713938	WHITE 472636	7149488	IVECO 415082N	718214	WHITE 410987
712045	MIXMO 471869	714	UNIVE 455121	715000	NATL 39801	718214	WHITE 450103

INTERCHANGE SECTION

COMPETITIVE INTERCHANGES

Mfr No.	Mfr.	National	Mfr No.	Mfr.	National	Mfr No.	Mfr.	National	Mfr No.	Mfr.	National
718302	WHITE	450065	71WG7657AA	FORD	2443	72078200	BUC-E	455031	7210412	BUC-E	417357
718400W401252	MECH	370014A	71X5239	GARLK	40140S	72078360	BUC-E	455189	7210412	BUC-E	455192
71855C1	IH	416921	71X6069	GARLK	8792S	72080325	BUC-E	415072	72104120	BUC-E	417357
718610	TIMKE	718610	71X6133	GARLK	340483	72080328	BUC-E	415072	72104120	BUC-E	455192
718657	WHITE	415697	71X6156	GARLK	471270	72080342	BUC-E	455583N	7210418	BUC-E	415036
718657	WHITE	455547	71X6284	GARLK	341022	72080825	BUC-E	417597	72104180	BUC-E	415036
7186LPD	JN-MN	416107	71X6304	GARLK	310841	72082500	BUC-E	417602	72105500	BUC-E	415041
7186LPD	JN-MN	455073	71X7007	GARLK	240470	7208250M	BUC-E	417602	7210550V	BUC-E	415041
7186LUP	JN-MN	416107	71X7011	GARLK	342805	72082595	BUC-E	415124	7210785M	BUC-E	416865
7186LUP	JN-MN	455073	71X7012	GARLK	342805	7208300M	BUC-E	415090	7210785M	BUC-E	455070
7186S	TIMKE	7186S	71X7013	GARLK	8792S	72083150	BUC-E	417020	7210788	BUC-E	450070
718770	WHITE	410737	71X7020	GARLK	340387	7208315M	BUC-E	417020	7210788	BUC-E	472185
718773	WHITE	470565	71X7021	GARLK	340724	72083650	BUC-E	415482	72107880	BUC-E	416865
7187LPD	JN-MN	455195	71X7023	GARLK	340009S	7208365M	BUC-E	415482	72107880	BUC-E	455070
7187LPD	JN-MN	472157	71X7024	GARLK	351487	72085105	BUC-E	417608	72108250	BUC-E	416865
7187LUP	JN-MN	455195	71X7033	GARLK	350954	72089720	BUC-E	450083	7210825V	BUC-E	416865
7187LUP	JN-MN	472157	71X7033	GARLK	470954	72089720	BUC-E	472924	72110525	BUC-E	417262
71884A	MC-CL	470954	71X7034	GARLK	40027S	72090500	BUC-E	450085	72110525	BUC-E	455448
7188S	TIMKE	7188S	71X7055	GARLK	40230S	72090500	BUC-E	470530	72112000	BUC-E	330385
719021	C-R	357PKG	71X7080	GARLK	340400	7209050V	BUC-E	450085	7211225M	BUC-E	415072
719021	SKF	357PKG	71X7093	GARLK	310841	7209050V	BUC-E	470530	7211250	BUC-E	415072
7190LPD	JN-MN	476470	71X8000	GARLK	7014S	72093000	BUC-E	450301	72112500	BUC-E	415072
7190LUP	JN-MN	476470	72063350	BUC-E	441130	72093000	BUC-E	472397	72112501	BUC-E	415072
71910C1	IH	473010	72063400	BUC-E	5857	7209300VM	BUC-E	450301	7211250MV	BUC-E	415072
71915	VICK	417316	7206340N	BUC-E	5857	7209300VM	BUC-E	472397	7211275V	BUC-E	415072
71915	VICK	455004	72063415	BUC-E	471224	72093500	BUC-E	473463	72115950	BUC-E	416364
7191LPD	JN-MN	416892	72063550	BUC-E	340151	7209350V	BUC-E	473463	7211600V	BUC-E	472560N
7192	ALLCH	470189	72063600	BUC-E	473380	72095050	BUC-E	415281N	7211600V	BUC-E	50151S
7192	ALLCH	471692	7206385	BUC-E	471689	7209505V	BUC-E	415281N	72116800	BUC-E	240731
7192	TRAC	470189	72063850	BUC-E	471689	7209600	BUC-E	415995	7212000V	BUC-E	416239
7192	TRAC	471692	72064350	BUC-E	472258	7209600	BUC-E	455013	72120250	BUC-E	416239
7192LPD	JN-MN	417520	72064350	BUC-E	480570	72096000	BUC-E	415995	72120251	BUC-E	416239
719316	TIMKE	719316	72064500	BUC-E	240319	72096000	BUC-E	455013	7212025M	BUC-E	416239
719373	GMC	411330N	7206471	NORDG	416706	72096050	BUC-E	415995	72122100	BUC-E	416654
719374	GMC	410316	7206471	NORDG	455272	72096050	BUC-E	455013	72122100	BUC-E	455012
719374	GMC	472636	72065660	BUC-E	473215	72096390	BUC-E	415001	72122300	BUC-E	455194
7193LPD	JN-MN	417554	7206650V	BUC-E	473228	72096390	BUC-E	455001	72122430	BUC-E	415725
7193LUP	JN-MN	417554	72066550	BUC-E	473228	72097380	BUC-E	417351	72122445	BUC-E	471649
7194631	SPICE	473460	7206925	BUC-E	40401	72097380	BUC-E	455154	72122457	BUC-E	471689
71947	ALLCH	416339	72069250	BUC-E	40401	7209738M	BUC-E	417351	72122600	BUC-E	415449
71947	ALLCH	455031	72071500	BUC-E	4148	7209738M	BUC-E	455154	72122600	BUC-E	455147
7194LPD	JN-MN	455480	72071500	BUC-E	471424	7209857	BUC-E	417487	72122750	BUC-E	410316
7195LPD	JN-MN	415036	72072450	BUC-E	472924	7209857	BUC-E	455086	72122750	BUC-E	472636
7195LUP	JN-MN	415036	7207600V	BUTBN	40337S	7209900M	BUC-E	417487	7212275M	BUC-E	410316
7199LPD	JN-MN	415035	72076100	BUC-E	40316S	7209900M	BUC-E	455014	7212275M	BUC-E	472636
7199LPD	JN-MN	455035	72076350	BUC-E	416271	72100993	BUC-E	455019	72125250	BUC-E	417604
7199LUP	JN-MN	415035	72076390	BUC-E	415001	72101250	BUC-E	415035	72125500	BUC-E	417567
7199LUP	JN-MN	455035	72076390	BUC-E	455001	72101250	BUC-E	415953	7212550M	BUC-E	417567
71A7021	GARLK	351487	72076900	BUC-E	415013	7210125M	BUC-E	415035	72125580	BUC-E	455129
71A7023	GARLK	240009	72076900	BUC-E	415995	7210125M	BUC-E	455035	72128500	BUC-E	471466
71A7034	GARLK	40027S	72077000	BUC-E	416921	72101499	BUC-E	415035	72134950	BUC-E	417606
71A7045	GARLK	417267	72077210	BUC-E	45013S	72101499	BUC-E	455035	72138385	BUC-E	340797
71A7055	GARLK	40230S	72077570	BUC-E	412473	72101500	BUC-E	415035	7213925V	BUC-E	470954
71A7082	GARLK	40494S	72077570	BUC-E	415894	72101500	BUC-E	455035	7214333	BUC-E	471267
71B2	WHITE	471316	72077710	BUC-E	345146	72101505	BUC-E	415035	72143330	BUC-E	471570
71C62	BORGW	470403	72077720	BUC-E	415991	72101505	BUC-E	455035	7214335M	BUC-E	481644
71C62B	BORGW	470774V	72077720	BUC-E	455146	7210150VE	BUC-E	415035	72143381	BUC-E	40140S
71C62A	BORGW	470403	72078050	BUC-E	415437	7210150VE	BUC-E	455035	72143390	BUC-E	340136
71C110	BORGW	470138V	72078190	BUC-E	345035	72104110	BUC-E	417357	72143395	BUC-E	470380
71WG7048AA	FORD	2503N	72078200	BUC-E	416339	72104110	BUC-E	455192	72143396	BUC-E	417357

INTERCHANGE SECTION

COMPETITIVE INTERCHANGES

Mfr No.	Mfr. National	Mfr No.	Mfr. National	Mfr No.	Mfr. National	Mfr No.	Mfr. National
72143396	BUC-E 455192	72180310	BUC-E 455018	7219820M	BUC-E 416654	7222065	BUC-E 471267
72143410	BUC-E 450183	72180310	BUC-E 476470	7219820M	BUC-E 455012	72220650	BUC-E 417267
72143410	BUC-E 472179	72183150	BUC-E 415023	72198450	BUC-E 417487	7222080V	BUC-E 40395
72143475	BUC-E 5458	72183300	BUC-E 418028	72198450	BUC-E 455014	7222080V	BUC-E 40395S
72148500	BUC-E 471570	72183300	BUC-E 455137	72198451	BUC-E 417487	7222090V	BUC-E 340151
7214850E	BUC-E 471570	72183305	BUC-E 416153	72198451	BUC-E 455086	7222238E	BUC-E 417262
72153500	BUC-E 471270	72184591	BUC-E 415138	7219845M	BUC-E 417487	7222238E	BUC-E 455448
7215350V	BUC-E 472560N	72185450	BUC-E 417298	7219845M	BUC-E 455014	72222400	BUC-E 417262
7215350V	BUC-E 50151S	72185760	BUC-E 450025	7219870M	BUC-E 416288	72222400	BUC-E 455448
72153950	BUC-E 415656	72185760	BUC-E 471553	72199700	BUC-E 415072	72223370	BUC-E 416011
72157600	BUC-E 474278	7218576M	BUC-E 450025	72199701	BUC-E 415072	72223370	BUC-E 417621
72157600	BUC-E 480356	7218576M	BUC-E 471553	72199702	BUC-E 416107	7222374	BUC-E 417350
7215760V	BUC-E 474278	7218600	BUC-E 416107	72199702	BUC-E 455073	7222374	BUC-E 455479
7215760V	BUC-E 480356	7218600	BUC-E 455073	7219970M	BUC-E 415072	72224225	BUC-E 417563
72158405	BUC-E 40301S	72186100	BUC-E 415021	72199720	BUC-E 417487	72230900	BUC-E 417546
72159395	BUC-E 450867	7218610M	BUC-E 415021	72199720	BUC-E 455086	7223090M	BUC-E 417546
72159395	BUC-E 470898	72186250	BUC-E 415023	72200180	BUC-E 417298	72230920	BUC-E 417546
72159578	BUC-E 40520S	72186280	BUC-E 415295	72200180M	BUC-E 417298	7223290E	BUC-E 415645
72160365	BUC-E 450412	72186300	BUC-E 470950	7220030V	BUC-E 415871	7223290E	BUC-E 455104
72160537	BUC-E 415303	72186300	BUC-E 6241S	72200925	BUC-E 455195	7223295	BUC-E 415645
72160550	BUC-E 416956	7218630M	BUC-E 470950	72200925	BUC-E 472157	7223295	BUC-E 455104
72160750	BUC-E 450441	7218630M	BUC-E 6241S	72201800	BUC-E 415871	7223300	BUC-E 415645
72160750	BUC-E 471341	72186400	BUC-E 470062	7220180V	BUC-E 415871	7223300	BUC-E 455104
72161000	BUC-E 472015	72186400	BUC-E 474264	7220188	BUC-E 55238	72233000	BUC-E 415645
7216100M	BUC-E 472015	7218640M	BUC-E 470062	72201880	BUC-E 55238	72233000	BUC-E 455104
72161050	BUC-E 410520	7218640M	BUC-E 474264	7220195	BUC-E 417198	7223300VM	BUC-E 415645
72161050	BUC-E 471272	72186500	BUC-E 470064	72201950	BUC-E 417198	7223300VM	BUC-E 455104
7216500V	BUC-E 473243	72186500	BUC-E 471821	72201951	BUC-E 417198	72233500	BUC-E 455584
7217100M	BUC-E 413469	7218650M	BUC-E 470064	7220195EV	BUC-E 417198	7223600V	BUC-E 455583N
7217115	BUC-E 411253	7218650M	BUC-E 471821	7220212	BUC-E 416706	72237285	BUC-E 417598
7217115	BUC-E 450099	72186750	BUC-E 450085	7220212	BUC-E 455272	72238010	BUC-E 457874
72171150	BUC-E 411253	72186750	BUC-E 470530	72202120	BUC-E 416706	72238600	BUC-E 417562
72171150	BUC-E 450099	7218675M	BUC-E 450085	72202120	BUC-E 455272	7223860E	BUC-E 417562
72174325	BUC-E 416404	7218675M	BUC-E 470530	72202141	BUC-E 55301S	72239815	BUC-E 417600
72174326	BUC-E 416404	72186850	BUC-E 470086	72202141M	BUC-E 55301S	72240441	BUC-E 455123
72174352	BUC-E 455024	7218685V	BUC-E 470086	72202151	BUC-E 476470	72242250	BUC-E 417603
72174365	BUC-E 55419	7218685VE	BUC-E 470086	7220234	BUC-E 55524	7224275M	BUC-E 416077
72174385	BUC-E 415991	7218710M	BUC-E 411253	72202340	BUC-E 55524	7224300V	BUC-E 416077
72174385	BUC-E 455146	7218710M	BUC-E 450099	72202447	BUC-E 415697	7224800	BUC-E 415116
72174390	BUC-E 415991	72187200	BUC-E 412119	72202447	BUC-E 455547	7224800V	BUC-E 415116
72174390	BUC-E 455146	72187200	BUC-E 450101	72202447M	BUC-E 415697	72248250	BUC-E 415116
72175746	BUC-E 415498	7218720M	BUC-E 412119	72202447M	BUC-E 455547	7224825V	BUC-E 415116
72177145	BUC-E 472636	7218720M	BUC-E 450101	72202630	BUC-E 55563	7224825VE	BUC-E 415116
72177150	BUC-E 415234	72187675	BUC-E 417541	72207300	BUC-E 471567	72248750	BUC-E 455129
7217715V	BUC-E 415234	7218860M	BUC-E 471579	7220730V	BUC-E 471567	7225125V	BUC-E 472354
72177450	BUC-E 417205	7219020V	BUC-E 470605	72212300	BUC-E 415984	7225125V	BUC-E 50395S
72177875	BUC-E 45187S	7219052	BUC-E 470565	7221230M	BUC-E 415984	72253750	BUC-E 55301S
72178095	BUC-E 415035	72190520	BUC-E 470565	72212800	BUC-E 455018	72253800	BUC-E 415090
72178095	BUC-E 455035	72193640	BUC-E 415142	72212800	BUC-E 476470	7225625M	BUC-E 415023
72179170	BUC-E 416011	72193860	BUC-E 415142	72213800	BUC-E 415379	72259985	BUC-E 417570
72179170	BUC-E 417621	72193900	BUC-E 455195	72213800	BUC-E 455379	7226500	BUC-E 473224
72179175	BUC-E 416011	72193900	BUC-E 472157	7221380M	BUC-E 455018	72265000	BUC-E 473224
72179175	BUC-E 417621	72193901	BUC-E 455195	7221380M	BUC-E 476470	7226625	BUC-E 473016
72179995	BUC-E 415196	72193901	BUC-E 472157	7221630	BUC-E 415072	72266250	BUC-E 473016
72180150	BUC-E 416288	72193909	BUC-E 416556	72216300	BUC-E 415072	72266250V	BUC-E 473016
7218015V	BUC-E 416288	72193909	BUC-E 472157	7221630M	BUC-E 415072	72269250	BUC-E 473215
72180300	BUC-E 455018	7219390E	BUC-E 455195	7221680V	BUC-E 415116	7226925M	BUC-E 473215
72180300	BUC-E 476470	7219390E	BUC-E 472157	7221710	BUC-E 417602	72269850	BUC-E 470358
7218031	BUC-E 455018	72198200	BUC-E 416654	72217100	BUC-E 417602	72269850	BUC-E 473231
7218031	BUC-E 476470	72198200	BUC-E 455012	7221710M	BUC-E 417602	72269900	BUC-E 470358

INTERCHANGE SECTION

COMPETITIVE INTERCHANGES

INTERCHANGE SECTION

Mfr No.	Mfr. National	Mfr No.	Mfr. National	Mfr No.	Mfr. National	Mfr No.	Mfr. National
72269900	BUC-E 473231	7230795ME	BUC-E 417316	72329400	BUC-E 416345	7237520ME	BUC-E 416107
72272600	BUC-E 450066	7230795ME	BUC-E 455004	72329400	BUC-E 455033	7237520ME	BUC-E 455073
72272600	BUC-E 473367	72311650	BUC-E 55469	72329450	BUC-E 415034	7237550EV	BUC-E 416107
7227260V	BUC-E 450066	7231165M	BUC-E 55469	72329450	BUC-E 455034	7237550EV	BUC-E 455073
7227260V	BUC-E 473367	72312950	BUC-E 416921	7232945MEV	BUC-E 415034	7237565V	BUC-E 416107
72274250	BUC-E 450194	72312950	BUC-E 455011	7232945MEV	BUC-E 455034	7237565V	BUC-E 455073
72274250	BUC-E 473010	7231295V	BUC-E 415001	72334450	BUC-E 415150	7237575	BUC-E 417556
72274300	BUC-E 473010	7231295V	BUC-E 455001	7233445E	BUC-E 415150	72375750	BUC-E 417556
72277600	BUC-E 450070	7231300	BUC-E 416921	72334460	BUC-E 415150	7238225	BUC-E 416666
72277600	BUC-E 472185	7231300	BUC-E 455011	72334550	BUC-E 455191	72382250	BUC-E 416666
7227760M	BUC-E 450070	72313000	BUC-E 416921	7233455VE	BUC-E 455191	72385650	BUC-E 416476
7227760M	BUC-E 472185	72313000	BUC-E 455011	72334650	BUC-E 416153	72385650	BUC-E 455075
72282600	BUC-E 450183	7231420V	BUC-E 472560N	72339540	BUC-E 455197N	7238565VM	BUC-E 416476
72282600	BUC-E 472179	7231420V	BUC-E 50151S	72339550	BUC-E 415196	7238565VM	BUC-E 455075
7228260V	BUC-E 450183	72314750	BUTBN 40337S	7233955E	BUC-E 415196	72409124	BUC-E 415327
7228260V	BUC-E 472179	7231475V	BUTBN 40337S	72339650	BUC-E 415196	72410650	BUC-E 416229
7228560	BUC-E 450273	7231530V	BUC-E 412040	72339665	BUC-E 416888	7241065M	BUC-E 416229
7229075	BUC-E 414045	7231535V	BUC-E 450441	72339700	BUC-E 416888	7241090V	BUC-E 416229
72290750	BUC-E 450082	7231535V	BUC-E 471341	72339700	BUC-E 455200	72410910	BUC-E 415327
72290750	BUC-E 473238	72315685	BUC-E 472164	72339710	BUC-E 416888	7241405	BUC-E 417596
72290850	BUC-E 450082	72315850	BUC-E 417134	72339710	BUC-E 455200	72415900	BUC-E 455584
72290850	BUC-E 473238	7231585M	BUC-E 417134	72344650	BUC-E 416153	7241590V	BUC-E 455584
72292392	BUC-E 417501	7231695	BUC-E 416292	7234465M	BUC-E 416153	72420900	BUC-E 455117
7229585V	BUC-E 470086	72316950	BUC-E 416292	7234LPD	JN-MN 417269	72420905	BUC-E 455117
72295950	BUC-E 473461	72319950	BUC-E 412473	7235465ME	BUC-E 415047	7242090VM	BUC-E 455117
7229595VE	BUC-E 473461	72319950	BUC-E 415894	72354670	BUC-E 415047	7242350	BUC-E 415551
7229650	BUC-E 470565	7231995V	BUC-E 412473	7235475E	BUC-E 416892	72423500	BUC-E 415551
72296500	BUC-E 470565	7231995V	BUC-E 415894	72354850	BUC-E 416892	72430900	BUC-E 455406
7229795V	BUC-E 470088	7232265	BUC-E 415991	7235485VE	BUC-E 416892	7243090V	BUC-E 455406
72297960	BUC-E 450094	7232265	BUC-E 455146	7235495	BUC-E 415371	7243590	BUC-E 455121
72297960	BUC-E 473462	7232287	BUC-E 415991	72354950	BUC-E 415371	72436350	BUC-E 415128
72298250	BUC-E 411394	7232287	BUC-E 455146	7235495VE	BUC-E 415371	72632540	BUC-E 412040
72298250	BUC-E 450317	72322870	BUC-E 415991	72359875	BUC-E 415138	7263254V	BUC-E 412040
72298251	BUC-E 411394	72322870	BUC-E 455146	72359940	BUC-E 417526	7263269	BUC-E 450389
72298251	BUC-E 450317	72322950	BUC-E 415379	72359950	BUC-E 417247	7263269	BUC-E 472492
7229830V	BUC-E 411500	72322950	BUC-E 455379	7235995M	BUC-E 417247	72632690	BUC-E 450389
72298950	BUC-E 410694	72324750	BUC-E 455249	72360050	BUC-E 416167	72632690	BUC-E 472492
7229895V	BUC-E 410694	72325850	BUC-E 415437	72360050	BUC-E 455091	72632750	BUC-E 480491
72299050	BUC-E 412871	72325900	BUC-E 415437	7236005EM	BUC-E 416167	72717100	BUC-E 417602
72299050	BUC-E 450329	72325900	BUC-E 455173	7236005EM	BUC-E 455091	720004901	EATON 473231
7229905MV	BUC-E 412871	7232590V	BUC-E 415437	72360100	BUC-E 417539	720004902	EATON 473237
7229905MV	BUC-E 450329	7232590V	BUC-E 455173	7236010E	BUC-E 417539	720004903	EATON 473237
7230085	BUC-E 415449	72325950	BUC-E 417501	72365050	BUC-E 415060	72000492	EATON 473237
7230085	BUC-E 455147	7232595E	BUC-E 417501	7236505V	BUC-E 415060	72000492	Y-T 473237
72300850	BUC-E 415449	72326000	BUC-E 415379	72365140	BUC-E 415064	72004	SHOV 412871
72300850	BUC-E 455147	72326000	BUC-E 455379	7236520V	BUC-E 456890	72004	SHOV 450329
7230195R	BUC-E 415001	7232600M	BUC-E 415379	72365228	BUC-E 417269	7201000V	BUC-E 40101S
7230195R	BUC-E 455001	7232600M	BUC-E 455379	72365250	BUC-E 417273	7201200V	BUC-E 416125
72302050	BUC-E 417079	72326900	BUC-E 417355	7236525M	BUC-E 417273	7201600V	BUC-E 455195
72302100	BUC-E 417079	7232700	BUC-E 455186	72368500	BUC-E 417254	7201600V	BUC-E 472157
72304050	BUC-E 415003	72327000	BUC-E 455186	72370200	BUC-E 415938	7201800E	BUC-E 415645
72304050	BUC-E 415458	72328950	BUC-E 455024	7237020V	BUC-E 415938	7201800E	BUC-E 455104
7230495E	BUC-E 415458	7232895M	BUC-E 455024	72370300	BUC-E 415938	7201LPD	JN-MN 450316
7230495E	BUC-E 455003	7232905M	BUC-E 455026	7237035	BUC-E 417555	7201LPD	JN-MN 472636
72305000	BUC-E 415458	7232915M	BUC-E 415027	72370350	BUC-E 417555	7202300V	BUC-E 415938
72305000	BUC-E 455003	7232915M	BUC-E 455027	72370370	BUC-E 417555	7202375	NORDG 470219
72307900	BUC-E 417343	72329250	BUC-E 416125	72375200	BUC-E 416107	7202375	NORDG 471649
72307950	BUC-E 417316	7232925EV	BUC-E 416125	72375200	BUC-E 455073	7202820	NORDG 470712
72307950	BUC-E 455004	7232935V	BUC-E 416339	72375201	BUC-E 416107	7202850M	BUC-E 417602
72307955	BUC-E 46997S	7232935V	BUC-E 455031	72375201	BUC-E 455073	7202930	NORDG 470328

COMPETITIVE INTERCHANGES



Mfr No.	Mfr. National	Mfr No.	Mfr. National	Mfr No.	Mfr. National	Mfr No.	Mfr. National
7202930	NORDG 481213	721871	LETN 473205	724571	ADAMS 412473	72623	VIC 6033030
7203195	NORDG 470163	721871	WABCO 473205	724571	ADAMS 415894	72624	VIC 6035030
7203195	NORDG 471766	721872	ADAMS 471689	724571	LETN 412473	72625	VIC 6036030
72033	CHERY 471472	721872	LETN 471689	724571	LETN 415894	72626	VIC 6038030
7203400EV	BUC-E 415871	72187900	BUC-E 471765	724633	SPICE 417487	72627	VIC 6038040
72036A	HERCU 410101N	72188450	BUC-E 6863S	724633	SPICE 455014	72628	VIC 6041040
720387	PEERC 471765	7218845M	BUC-E 6863S	724860	ADAMS 470565	72629	VIC 6044040
7204003	NORDG 455308	72188600	BUC-E 471579	724860	LETN 470565	726400	MECH 370066A
72042537	BUC-E 471984	72193855	BUC-E 455134	724925	UNIVE 455406	726929	WILYS 451948
72044	CHERY 471567	7220	C-R 710445	724926	MICH 455406	72695A	HERCU 240119
7204631	SPICE 412871	7220	SKF 710445	72502	VIC OK311	727026	WILYS 416919N
7204631	SPICE 450329	7220263	BUC-E 55563	72503	VIC OK312	72708	C-P 471281
7204710	NORDG 450361	722050	WABCO 415563	7251	C-R 710154	72708	GE 471281
7204710	NORDG 472193	722050	WABCO 417433	7251	SABO 710583	7272	TEKNI 453165
72048	CHERY 471689	722051	ADAMS 417210	7251	SKF 710154	7272	TEKNI 471619
7206150	NORDG 411245	722051	LETN 417210	725147	ADAMS 415147	727345	WABCO 471649
7206150	NORDG 455096	722051	WABCO 417210	725147	ADAMS 415449	72737	ALLCH 471555
720618	GMC 370002A	72206800	BUC-E 471466	72515	C-R 416044	727410	TIMKE 312518
7206271	NORDG 416706	7220680V	BUC-E 471466	72515	SKF 416044	7274631	SPICE 470565
7206271	NORDG 455272	722106	ADAMS 417344	725157	ADAMS 417316	7274633	SPICE 450441
7206274	NORDG 415988	722106	LETN 417344	725157	LETN 417316	7274633	SPICE 471341
72064525	BUC-E 473227	722108	TIMKE 722108	725157	WABCO 415004	727584	WABCO 415187
720659	GMC 370025A	722109	TIMKE 722109	725157	WABCO 417316	727695	LETN 471224
720659	GMC 380025A	72223460	BUC-E 410752	72539	C-R 415116	727695	WABCO 471224
720659	GMC 386025A	722250S	TIMKE 722250	72539	SKF 415116	727739	LETN 417350
7208LPD	JN-MN 415327	722276	ADAMS 416404	725400	MECH 370054A	727739	LETN 455479
7208LUP	JN-MN 415327	722276	LETN 416404	72541	CLIN 340495	727739	WABCO 417350
7208S	TIMKE 7208S	722276	WABCO 416404	725422	ADAMS 412920	727739	WABCO 455479
720912	UNIVE 417598	722309	WOOL 417159	725422	WABCO 411376	728880	ELRNG 711007
720913	MICH 417598	722392	LETN 456305	725581	ADAMS 410163	728143	LETN 471413
721002	ADAMS 410496	722392	WABCO 456305	725581	ADAMS 471766	728143	WABCO 471413
721003	ADAMS 455195	7224631	SPICE 455576	725581	LETN 410163	7284112	HUB-C 472658
721003	ADAMS 472157	7224632	SPICE 417602	725581	LETN 471766	7284112	HUB-C 473197
72111250	BUC-E 471466	7226125M	BUC-E 415227	725581	WABCO 410163	7284632	SPICE 416107
72116250	BUC-E 470954	72266100	BUC-E 450400	725581	WABCO 471766	7284632	SPICE 455073
7212850V	BUC-E 471466	72268100	BUC-E 470059	72558R91	IH 5403	728491	LETN 471649
7213094	GIB 455328	72268100	BUC-E 470380	72562R91	IH 5403	728491	WABCO 471649
7214	TIMKE 7214	7226885	NORDG 473227	72600	VIC 6003020	728500	ADAMS 415082
721403	ADAMS 471267	72269750	BUC-E 470059	72601	VIC 6004020	728500	LETN 415082
721403	WABCO 470567	72269750	BUC-E 470380	72602	VIC 6005020	728500	WABCO 415082
721403	WABCO 471267	7226975E	BUC-E 470059	72603	VIC 6006020	728664	LETN 476470
721490	GMC 370182A	7226975E	BUC-E 470380	72604	VIC 6007020	728730	US-EL 481568
721490	GMC 380048A	7227810	BUC-E 470059	72605	VIC 6008020	728937	UNIVE 455121
72149A	HERCU 415995	7227810	BUC-E 470380	72606	VIC 6010020	728938	MICH 455121
72149A	HERCU 455013	7227LPD	JN-MN 456105	72607	VIC 6010025	72905	TRISL 100495
7215	NATL 5126	7227LUP	JN-MN 456105	72608	VIC 6011025	72907	TRISL 100494
7215LPD	JN-MN 471651	72282550	BUC-E 474274	72609	VIC 6012025	72910	TRISL 100263
7215LUP	JN-MN 471651	7229	TEKNI 471466	72610	VIC 6014025	72911	TRISL 100557
7216	TIMKE 7216	72292H	WAUKE 470064	72611	VIC 6016025	7295	SABO 710546
7216LPD	JN-MN 473224	72292H	WAUKE 471821	72612	VIC 6017025	72X7450	GARLK 204005
7216LUP	JN-MN 473224	723034040	SUBAR 1974	72613	VIC 6019025	72X7451	GARLK 6832S
7217	SABO 710491	723034050	SUBAR 224462	72614	VIC 6019030	72X7452	GARLK 6832S
721797	WABCO 410163	7234631	SPICE 473243	72615	VIC 6020030	72X7455	GARLK 204017
721797	WABCO 471766	723K1	WHITE 480630	72616	VIC 6022030	72X7457	GARLK 204008
7218030M	BUC-E 455018	7240	CHERY 473213	72617	VIC 6024030	72X7459	GARLK 204038
7218030M	BUC-E 476470	7241	CHERY 473215	72618	VIC 6025030	72X7460	GARLK 204038
7218330VE	BUC-E 418028	7242	CHERY 417316	72619	VIC 6027030	72X7461	GARLK 204002
7218330VE	BUC-E 455137	7242	CHERY 455004	72620	VIC 6028030	72X8133	GARLK 6590S
7218575M	BUC-E 471787	724445	GMC 471570	72621	VIC 6030030	73	BL-KN 473243
721871	ADAMS 473205	724510	GMC 1012N	72622	VIC 6032030	7300	SABO 710548

INTERCHANGE SECTION

COMPETITIVE INTERCHANGES

TIMKEN®

Mfr No.	Mfr.	National	Mfr No.	Mfr.	National	Mfr No.	Mfr.	National	Mfr No.	Mfr.	National
74147	GMC	380036A	74311323	FI-AL	416332	745201X	WILYS	450298	7478	SKF	470954
7415	C-R	343185	743231	CLARK	240356	745201X	WILYS	473239	74789	WAUKE	471442
7415	SKF	343185	74334	WAUKE	450070	745267	DAVIS	341022	7481	ALOY	8935S
7416599	CONTI	415003	74334	WAUKE	472185	7453	C-R	470954V	7481	C-R	474131
7416599	CONTI	415458	7433514943	RENAU	223020	7453	SKF	470954V	7481	SKF	474131
74166	HOUGH	470351	7434	C-R	712027	74538B	HERCU	240319	7481	SPICE	474131
74166	HOUGH	471504	7434	SKF	712027	745400	MECH	370065A	7481	SPICE	480821
74166	WAUKE	6460S	743444850	DAEWO	1172	745400	MECH	376590A	74819990	FI-AL	416556
7416B1	WABCO	473230	743444850	GMC	1172	745400	MECH	380065A	74819990	FI-AL	472157
7417	C-R	7750	7434633	SPICE	470954	745400	MID	380065A	7484	SABO	710468
7417	SKF	7750	7434634	SPICE	415004	7454634	SPICE	472015	7484	SPICE	470027
74192A	HERCU	470219	7434634	SPICE	417316	7454635	SPICE	417343	7484	SPICE	471554
74192A	HERCU	471649	7434635	SPICE	417171	7455	C-R	470954V	74841	GRAM	473471
742400	MECH	370010A	74349736	FI-AL	472234	7455	SKF	470954V	74854	ALLCH	415138
74241862	FI-AL	471341	7436842092	RENAU	710669	74559	C-P	471571	7486S	TIMKE	7486S
7424631	SPICE	416865	7436842272	RENAU	710790	74568	WAUKE	471744	7487	AT SU	7994S
7424632	SPICE	450066	7436842273	RENAU	1172	7456A	F-R-H	481864	74907118	FI-AL	416297
7424632	SPICE	473367	74371692	FI-AL	470169	74573	ALLCH	472029	749077	DAVIS	200338
7424635	SPICE	415138	74371692	FI-AL	473214	74574	ALLCH	415995	749234	DAVIS	340815
7424637	SPICE	473233	743845	CLARK	470548	74574	ALLCH	455013	749242	DAVIS	450441
7424636	SPICE	471224	743845	CLARK	470625	74575	ALLCH	471870	749242	DAVIS	471341
74251862	FI-AL	471341	74386879	FI-AL	471649	74575	ALLCH	471883	7494	SPICE	470027
74252177	FI-AL	415379	74386927	FI-AL	471689	74575	KEN	471870	7494	SPICE	471554
74253052	FI-AL	416271	74391019	FI-AL	471472	74575	KEN	471883	749400	MECH	370037A
74253297	FI-AL	40438S	7439443310	RENAU	223020	7457N	TIMKE	7457N	749400	MECH	370338A
74253341	FI-AL	471571	743987	LONG	204027	746400	ELRNG	710812	749510	LONG	471744
74253609	FI-AL	40566S	7440	C-R	470954	74610	CROWN	6668S	7495S	TIMKE	7495S
74253670	FI-AL	40370S	7440	C-R	480954	74611773	FI-AL	471567	7497	ALLCH	415498
74253765	FI-AL	470358	7440	C-R	6835S	74630121	FI-AL	J1123	7497	TRAC	415498
74253765	FI-AL	473231	7440	C-R	8835S	7464	C-R	2287	7498	ALOY	8704S
74253769	FI-AL	455583N	7440	SKF	470954	7464	C-R	470954	7498	TRAC	450143
74253781	FI-AL	417171	7440	SKF	480954	7464	SKF	2287	74988992	FI-AL	470351
74253982	FI-AL	472287	7440	SKF	6835S	7464	SKF	470954	7499	ALOY	8695S
74253999	FI-AL	455336	7440	SKF	8835S	746400	MECH	370002A	74994488	FI-AL	416130
74254050	FI-AL	471570	7441	ALOY	475458	7464631	SPICE	473215	74DT7052B3A	FORD	2655
74254101	FI-AL	450194	74410	AM WH	472439	7465	C-R	6835S	74DT7A248A3A	FORD	2658V
74254101	FI-AL	473010	7443	C-R	470954	7465	SKF	6835S	74HB1175AA	FORD	370019A
74254152	FI-AL	450867	7443	SKF	470954	74658	WAUKE	470064	74HB1175CA	FORD	370063A
74254152	FI-AL	470898	7444	SPICE	473226	74658	WAUKE	471821	74TP7H260AB	FORD	710583
74254177	FI-AL	40140S	744400	MECH	370029A	7467	C-R	470954V	75	BL-KN	417490
74254228	FI-AL	415458	7444631	SPICE	416229	7467	SKF	470954V	7500	ALOY	5124
74254269	FI-AL	470954	7445	ALOY	5121	7469	C-R	470954	7500048	BORGW	473205
74254269	FI-AL	480954	744581	HESST	470605	7469	C-R	6835S	75013S	TROS	340771
74254670	FI-AL	471787	7446	ALOY	3087	7469	SKF	470954	75030	C-R	415867
74254936	FI-AL	471268N	744631	SPICE	470120	7469	SKF	6835S	75030	FITZ	5M81
74254954	FI-AL	450639	744631	SPICE	471224	7473	C-R	221922	75030	SKF	415867
74254963	FI-AL	471554	744634	SPICE	416271	7473	SKF	221922	75040	SPICE	415001
74254986	FI-AL	40433S	744682	CATER	416044	747350	MECH	370036A	75050	C-R	415551
74255130	FI-AL	471829	744789	HESST	455280	747350	MECH	370349A	75050	SKF	415551
74255587	FI-AL	471424	74482	AM WH	471442	747350	MECH	380036A	7506	FAIRB	415072
74255839	FI-AL	471787	744888	HESST	204029	747350	MID	380036A	7506	GR-DV	415072
74255851	FI-AL	40389S	744888	HESST	204507	7474	C-R	480821	7506	MINMA	415072
742EP46740	LUF	370036A	7449	C-R	712014	7474	SKF	480821	7506K	SUL	415072
742EP46740	LUF	370349A	7449	SKF	712014	747400	MECH	370036A	75088	ALLCH	415138
742EP49180	LUF	370036A	7450	C-R	470954V	747400	MECH	370349A	75089	FITZ	5M89
742EP49180	LUF	370349A	7450	C-R	480954V	747400	MECH	380036A	751610	ELRNG	229010
74301537	FI-AL	471763	7450	SKF	470954V	747400	MID	380036A	75111	WAUKE	470059
74310523	FI-AL	471192	7450	SKF	480954V	7475	C-R	480821	75111	WAUKE	470380
74310527	FI-AL	471643	74501458	FI-AL	471765	7475	SKF	480821	75117	WAUKE	470059
74311323	FI-AL	416047	74513621	FI-AL	472439	7478	C-R	470954	75117	WAUKE	470380

INTERCHANGE SECTION

COMPETITIVE INTERCHANGES

INTERCHANGE SECTION

Mfr No.	Mfr.	National	Mfr No.	Mfr.	National	Mfr No.	Mfr.	National	Mfr No.	Mfr.	National
75117A	WAUKE	470059	75416	FITZ	5M289	757A7	WHITE	471192	7627	SKF	471643
75117A	WAUKE	470380	7542	ALOY	493291	7581H	TIMKE	7581H	7628	C-R	471643
7512	C-R	470027	754226	DAVIS	450301	758400	MECH	370178A	7628	SKF	471643
7512	EATON	415991	754226	DAVIS	472397	75856TA	TRSCM	415867	762D6	WHITE	JV701
7512	FULLE	415991	7542B	CATER	411253	7588	C-R	450340	7630	SABO	710548
7512	SKF	470027	7542B	CATER	450099	7588	SKF	450340	763123	AVCO	42081S
7512SSO	TIMKE	7512SSO	7542B	HYST	411253	758A7	WHITE	473227	7632453	FIAT	1012N
7513	C-R	471554	7542B	HYST	450099	759016	PINER	2194	7632453	FIAT	710934
7513	SKF	471554	75453	FITZ	5MR71	759024	PINER	9613S	763400	MECH	370005A
751369	MARMO	470088	754642	SPICE	418028	7591	ALOY	331228H	763400	MECH	370173A
7514631	SPICE	415379	754642	SPICE	455137	7591	C-R	471498	7634611	SPICE	100495
7515	C-R	471554V	75479	FITZ	5MR71	7591	DOMGA	331228H	7634611	SPICE	415281N
7515	SKF	471554V	75480	FITZ	5MR71	7591	SKF	471498	7636	C-R	471684
7516	SABO	710648	75531	CROWN	471442	7592223	SAAB	223540	7636	SKF	471684
7517	C-R	471554V	755400	MECH	370025A	7594	ALOY	3677	76364	GR-DV	457874
7517	SABO	710687	755400	MECH	380025A	7594	ALOY	41257	76378	GLASE	229005
7517	SKF	471554V	755400	MECH	386025A	759704C91	IH	370019A	763831	CLARK	455197N
75213	SPICE	415001	755400	MID	380025A	759704C91	NAVST	370019A	76436	GMC	474278
75213	SPICE	455001	7554631	SPICE	473204	759A7	WHITE	471795	76436	GMC	480356
752352	DAVIS	470543	7554632	SPICE	473204	75DT7052A3A	FORD	2655	76438	GLASE	710790
752352	DAVIS	474272	7554633	SPICE	6835S	75KH16	MACK	5578	76447	CHRYSLER	450084
7524631	SPICE	471854	7554634	SPICE	471854	75WT7657AA	FORD	2443	76470H	IH	450025
75249336	FI-AL	415483	7554655	SPICE	473204	760040M1	MASSE	340385	76470H	IH	471553
75249336	FI-AL	J1117	7556	C-R	7929S	7600S	TIMKE	7600S	76490H	IH	471787
75260H	FULLE	450183	7556	SKF	7929S	7602	CHAMP	471692	765110B	SPERY	417344
75260H	FULLE	472179	75569	FITZ	5M81	7603	CHAMP	417191	765110B	SPERY	455006
75260H	IH	450183	75573	FITZ	5MR71	7604	CHAMP	450298	765110B	VICK	417344
75260H	IH	472179	755781	CLARK	471750	7604	CHAMP	473239	765110B	VICK	455006
75266	FITZ	473450	75581	RENAU	3771	760400	MECH	370106A	765143	VICK	450301
75280	SPICE	416158	75594	ALLCH	450441	7604631	SPICE	417040	765143	VICK	472397
753	CARDX	473211	75594	ALLCH	471341	7607	TIMKE	7607	7654634	SPICE	415138
753081	ALLCH	416891	7561	ALOY	8121S	76080	GLASE	710332	7661	C-R	473406
753081C33	ALLCH	416891	7562	ALOY	331227H	76085	GLASE	710824	7661	SKF	473406
753087	DAVIS	472164	75628	FITZ	5M403	760885C91	IH	370023A	7663	SABO	710497
7533	C-R	471554	7563	ALOY	471827	760885C91	NAVST	370023A	766571C91	IH	370003A
7533	C-R	471554V	7563	ALOY	8160S	760885C91	NAVST	380023A	766571C91	NAVST	370003A
7533	SKF	471554	75637	FITZ	5M403	760908M1	MASSE	471137	766571C91	NAVST	380003A
7533	SKF	471554V	756400	MECH	370025A	7612S	NATL	474278	7684634	SPICE	470898
7534631	SPICE	471344	756400	MECH	380025A	76137X	SPICE	710519	7684631	SPICE	410520
7535	C-R	710597	756400	MECH	386025A	761400	MECH	370003A	7684631	SPICE	471272
7535	SKF	710597	756400	MID	380025A	761400	MECH	380003A	76851	BENDI	330385
75359	GRAY	470059	7565	ALOY	6840S	761400	MID	380003A	76865TA	TRSCM	416102
75359	GRAY	470380	75661	FITZ	6064	76143	GLASE	710620	76872	BENDI	471570
7536	C-R	471554	75662412	TROS	417563	7614631	SPICE	472439	7687S	TIMKE	7687S
7536	DICO	204029	75669	FITZ	5M89	7614632	SPICE	450494	7690	C-R	470390
7536	DICO	204507	75673	FITZ	5M466	7614632	SPICE	472164	7690	SKF	470390
7536	SKF	471554	7568	ALOY	8516N	761654M1	MASSE	412473	76916TA	TRSCM	417598
75360	GRAY	472439	7568	TIMKE	7568	761654M1	MASSE	415894	7692	C-R	473407
75361	GRAY	411253	75681	FITZ	5M81	7618	AT SU	9150S	7692	SKF	473407
75361	GRAY	450099	757497	ELRNG	3774	761882M1	MASSE	417181	7692S	TIMKE	7692S
75362	GRAY	416921	7571	C-R	471567	762172	ELRNG	710290	7693	C-R	472649
75362	GRAY	455011	7571	SKF	471567	76208C	DIA	6270	7693	SKF	472649
7537	AT SU	7537S	75717	FITZ	5MR1008	76215	C-R	416102	769400	MECH	370121A
7537	C-R	40027S	75718	FITZ	5MR1009	76215	SKF	416102	76946	BENDI	450183
7537	SKF	40027S	7572	C-R	471567	76220	GLASE	716484	76946	BENDI	472179
753764	DAVIS	441853	7572	FULLE	417181	762400	MECH	370030A	76976	WAUKE	471281
7537S	TIMKE	7537S	7572	SKF	471567	76246361	SPICE	370043A	76X13	GARLK	330385
7539	FULLE	415041	7573	C-R	471567	76255	C-R	417598	76X1329	GARLK	472015
754036	DAVIS	340009S	7573	SKF	471567	76255	SKF	417598	76X1482	GARLK	471138
754044	DAVIS	240735	75767	ALLCH	455820	7627	C-R	471643	76X291	GARLK	471649

COMPETITIVE INTERCHANGES

TIMKEN®

Mfr No.	Mfr. National	Mfr No.	Mfr. National	Mfr No.	Mfr. National	Mfr No.	Mfr. National
76X3130	GARLK 415938	7700719274	RENAU 225020	771081	EL-PA 410102	777J1	OSHKO 415937
76X4701	GARLK 472954	7700719683	CITRO 225020	771085	EL-PA 473471	7780	TIMKE 7780N
76X5085	GARLK 481537	7700743159	RENAU 1172	77115	HYST 416107	778037	WHITE 45637S
76X51	GARLK 471526	7700743161	CITRO 228010	771400	MECH 370019A	7780N	TIMKE 7780N
76X541	GARLK 471192	7700743161	RENAU 228010	77153	GLASE 710812	77819H	IH 410987
76X6099	GARLK 481397	7700853373	CHRYC 229005	771723C91	IH 370021A	77819H	IH 450686
76X6103	GARLK 471529	7700853373	RENAU 229005	77173R91	IH 475380N	7781S	TIMKE 7781S
76X6113	GARLK 1049	7700854842	RENAU 1172	7718472	BRADF 476470	7782N	NATL 2942
76X6156	GARLK 471270	7700854852	RENAU 1172	7721	NATL 5113	778400	MECH 370169A
76X6169	GARLK 471652	7700859691	RENAU 710329	7723	TRAC 450313	7790H	TIMKE 7790H
76X6186	GARLK 7412S	7700859692	RENAU 228010	772400	MECH 370021A	77926SA	TRSCM 455406
76X714	GARLK 450185	7700866877	RENAU 225020	772E11	CLARK 416271	7797	EATON 5MR71
76X714	GARLK 473229	7700873534	RENAU 223220	772E13	CLARK 416271	78016	HYST 6988H
76X7482	GARLK 455583N	7700S	TIMKE 7700S	773620	ELRNG 223020	7801626	GMC 313842
76X7488	GARLK 471551	7701027247	RENAU 223010	7733	SABO 710561	7802160	GMC 480821
76X7501	GARLK 330699	7701065057	RENAU 710621	773400	MECH 370009A	780316C91	IH 370124A
76X7504	GARLK 472705	7701348114	RENAU 3771	773400	MECH 380009A	78062	WAUKE 473227
76X7510	GARLK 350414	7701348541	RENAU 223010	7735S	NATL 471652	78062	WAYNE 473227
76X7510	GARLK 472311	7701348980	RENAU 229005	77362133	FIAT 223830	7808195	GMC 7013S
76X7512	GARLK 1037	7701349119	RENAU 223005	77362134	LANCA 710582	78083	CHRYC 470077
76X7517	GARLK 481163	7701349138	RENAU 1172	77362436	ALFAR 223830	78083	CHRYC 474281
76X7518	GARLK 471766	7701349139	RENAU 223005	77365	GLASE 710600	78084	AM WH 473313
76X7520	GARLK 340853	7701349140	RENAU 225020	77387	GLASE 710788	780D6	WHITE 415437
76X7521	GARLK 330663	7701349595	AMC 225020	7740	C-R 7750	780D6	WHITE 455173
76X7521	GARLK 472354	7701349595	RENAU 225020	7740	SKF 7750	781175	FORD 5877
76X7534	GARLK 476842	7701349596	RENAU 229005	7741	FULLE 475384	781175A	FORD 5877
76X8356	GARLK 481481	7701349625	AMC 223005	77424	GLASE 710790	7814	C-R 470601
76X88	GARLK 471466	7701349625	RENAU 223005	774400	MECH 370024A	7814	SKF 470601
76X8949	GARLK 481481	7701349626	RENAU 1172	7745	C-R 222028	781400	MECH 370034A
76X8952	GARLK 471633	7701349629	RENAU 1172	7745	SKF 222028	7816612	GMC 251511
76X9489	GARLK 471570	770308097	AMC 3771	77461	GLASE 320348	7817	SABO 710686
76X9490	GARLK 471649	7703087024	RENAU 716484	77463	GLASE 710811	7819793	CHRYC 710285
76X9675	GARLK 450400	7703087026	RENAU 223010	77499H	IH 417488	7824	C-R 481443V
76X9879	GARLK 335924N	7703087035	FIAT 228010	7750	TIMKE 7750	7824	SKF 481443V
76X9971	GARLK 481181	7703087035	RENAU 228009	77518H	IH 415991	782400	MECH 370019A
76X9971	GARLK 481181N	7703087035	TALBO 228009	77518H	IH 455146	78274	HARRI 472560N
76X9975	GARLK 472015	7703087051	RENAU 223010	7751H	TIMKE 7751H	78274	HARRI 50151S
76X9991	GARLK 481443	7703087075	RENAU 3771	77540	C-R 455406	7828565	GMC 351267
76X9992	GARLK 480581	7703087079	RENAU 224520	77540	SKF 455406	7829	C-R 481443
7700087195	RENAU 225020	7703087080	FIAT 228010	775400	MECH 370008A	7829	SKF 481443
7700273776	RENAU 1172	7703087080	RENAU 228009	77568	FAIRB 417562	7831	C-R 481443
7700517035	RENAU 224520	7703087087	RENAU 710197	775698C91	IH 370003A	7831	SKF 481443
7700517057	RENAU 228010	7703087104	RENAU 223010	775698C91	NAVST 380003A	7832730	GMC 222025
7700522314	RENAU 3771	7703087108	RENAU 9912	77585	C-R 417115	7834	TIMKE 7834
7700595940	RENAU 716102	7703087189	RENAU 223005	77585	SKF 417115	7837492	GMC 7013S
7700619236	CITRO 223005	7703445	FT-WA 6835S	776400	MECH 370033A	7838143	GMC 710285
7700619236	RENAU 223005	770400	MECH 370023A	776438R1	IH 473437	7838145	GMC 710285
7700619237	CITRO 1172	770400	MECH 380023A	77672	HYST 450365	7840S	TIMKE 7840S
7700619237	RENAU 1172	770400	MID 380023A	77672	HYST 470898	78451	WIP-L 5433
7700619238	RENAU 229005	7704631	SPICE 415035	77692	HYST 470898	7849	C-R 481568
7700619239	RENAU 225020	7704631	SPICE 415953	777	GARLK 481864	7849	SKF 481568
7700619460	CITRO 229005	77049	CROWN 417485	777471	ELRNG 223235	784911	CLARK 450185
7700619461	RENAU 223005	7705	FULLE 417172	7772	FULLE 412861	784911	CLARK 473229
7700668575	RENAU 1172	77055	GLASE 710894	77732A	BENDI 470027	784959	CLARK 5778
7700668576	RENAU 1172	770895	EL-PA 450084	77732A	BENDI 471554	785400	MECH 370022A
7700695940	RENAU 716102	770914	EL-PA 473215	77734	AM WH 471689	785400	MECH 380022A
7700714701	RENAU 716102	77099	MATHR 39920	777400	MECH 370173A	785400	MID 380022A
7700716923	RENAU 1172	771018	EL-PA 450194	7774634	SPICE 473238	78552	BENDI 330385
7700718505	RENAU 229005	771018	EL-PA 473010	77746343	SPICE 473238	7860	EATON 416654
7700719273	RENAU 223005	77108	GLASE 710849	7775N	NATL 417354	7860	EATON 455012

INTERCHANGE SECTION

COMPETITIVE INTERCHANGES

Mfr No.	Mfr.	National	Mfr No.	Mfr.	National	Mfr No.	Mfr.	National	Mfr No.	Mfr.	National
7861	C-R	222025	790400	MECH	370006A	79634H	IH	473238	7B2174	WESTR	471192
7861	SKF	222025	7905	C-R	222025	7966589	WILYS	450588	7B280	CATER	470027
786400	MECH	370057A	7905	SKF	222025	7966691	WILYS	471765	7B280	CATER	471554
7866S	TIMKE	7866S	790963	GMC	416664	79667H	IH	411253	7B3568	CATER	416154
786D6	WHITE	415060	790963	GMC	455364	79667H	IH	450099	7B368	CATER	416154
787052	FORD	5872S	790964	GMC	410519	79668H	IH	475012N	7B3736	CATER	415007
78712	WAUKE	40395	790964	GMC	471271	79680H	IH	450085	7B3785	CATER	415035
78712	WAUKE	40395S	7910	C-R	222020	79680H	IH	470530	7B3785	CATER	455035
7872	C-R	481644	7910	SKF	222020	79688H	IH	475012N	7B430	CATER	417316
7872	SKF	481644	7912	TOWNR	6575S	7979349	GMC	6663S	7B430	CATER	455004
7873	HYST	470077	7914	C-R	222025	7979453	AMC	450066	7B4375	CATER	471526
7873	HYST	474281	7914	SKF	222025	7979453	AMC	473367	7B4624	CATER	412871
78738	C-R	455121	791400	MECH	370069A	7979455	AMC	450066	7B4624	CATER	450329
78738	SKF	455121	791400	MECH	380069A	7979455	AMC	473367	7B4962	CATER	416011
78780	C-R	417016	791436	CLARK	240735	7979456	AMC	472826	7B4962	CATER	417621
78780	SKF	417016	791471	GMC	4561V	7984661	IVECO	415082N	7B5425	CATER	415449
787D6	WHITE	416130	791471	GMC	5602	7985071	AMC	410708	7B556	CATER	471255
788400	MECH	370009A	7915	C-R	222030	798528	GMC	415007	7B8320	CATER	471570
788400	MECH	380009A	7915	SKF	222030	7989	WOODB	455079	7B8821	CATER	412473
788484C91	IH	370001A	7918	C-R	710450	79903	EATON	343099	7B8821	CATER	415894
788484C91	NAVST	380001A	7918	SKF	710450	7993	TOWNR	200110	7C1728	CATER	39883
788485C91	IH	370023A	7920	C-R	222036	7994S	TIMKE	7994S	7C1813	CATER	39926
788485C91	NAVST	380023A	7920	SKF	222036	799527	CLARK	470680	7C341175AA	FORD	710701
78857	EATON	415164N	7921	C-R	222036	799527	CLARK	471570	7C341190AA	FORD	710584
7886	JOY	417563	7921	SKF	222036	799528	CLARK	471267	7C3570	CATER	39881
788612	HU-WR	417563	7922	C-R	222030	799529	CLARK	471413	7C3571	CATER	39880
7886S	TIMKE	7886S	7922	SKF	222030	799530	CLARK	470625	7C3Z1175A	FORD	710584
7889	C-R	474273	7923	C-R	222030	799531	CLARK	473227	7C3Z1S175A	FORD	710701
7889	SKF	474273	7923	SKF	222030	79960	C-R	415656	7C3Z7B215B	FORD	710653
789400	MECH	370031A	7924	C-R	222036	79960	SKF	415656	7C4163	CATER	39882
789400	MECH	380031A	7924	SABO	710561	79961	C-R	415656	7C4297	CATER	39886
789400	MID	380031A	7924	SKF	222036	79961	SKF	415656	7C6660	CATER	39802
78D	HWY	417518	7929	C-R	222030	799845	GMC	450094	7D003	SHOV	470088
78M1	WHITE	50468	7929	SKF	222030	799845	GMC	473462	7D011	SHOV	455336
78X114	GARLK	471553	7929S	TIMKE	7929S	799923110	SUBAR	1974	7D33	CATER	416292
78X1474	GARLK	471272	793246	GMC	100495	79997	C-R	417600	7D9007	CATER	352541
78X2120	GARLK	417344	793246	GMC	5601	79997	SKF	417600	7E5P7H260AA	FORD	710773
78X542	GARLK	471192	7934S	TIMKE	7934S	79998	C-R	417600	7E5P7H260BA	FORD	710708
78X550	GARLK	470950	793666	GMC	417181	79998	SKF	417600	7E5P7H260CA	FORD	710590
78X550	GARLK	6241S	7937N	TIMKE	7937N	799D5	WHITE	415137	7E5P7H260DA	FORD	710700
78X6231	GARLK	473231	79385	HYST	415991	799D5	WHITE	418028	7E5Z1177A	FORD	710773
78X6252	GARLK	472164	79385	HYST	415991N	7A032077	FWD	323138	7E5Z1177B	FORD	710708
78X6436	GARLK	476820	79387	HYST	471271	7A032078	FWD	450400	7E5Z1177C	FORD	710590
78X648	GARLK	470380	79388	HYST	417181	7A032074	FWD	474276	7E5Z1177D	FORD	710700
78X6870	GARLK	455134	79389	HYST	416271	7A1110	OLIVE	412473	7E7589	CATER	39880
78X7033	GARLK	470954	7940	C-R	222050	7A1110	OLIVE	415894	7E7589	CATER	39881
78X7090	GARLK	471271	7940	SKF	222050	7A1110	WHITE	412473	7EA6700	FORD	450194
78X7256	GARLK	472446	7941	FMS	340151	7A1110	WHITE	415894	7EA6700	FORD	473010
78X7295	GARLK	416127	7941	HYST	415988	7A1443A	OLIVE	416011	7EQ1174	FORD	5401
78X837	GARLK	473234	794408C91	IH	370182A	7A1443A	OLIVE	417621	7EQ1175	FORD	6270
78X9508	GARLK	471466	794408C91	NAVST	370048A	7A1443B	OLIVE	417343	7EQ1175A	FORD	6270
78X9509	GARLK	471264	794408C91	NAVST	380048A	7A1582	OLIVE	450494	7EQ1181	FORD	5401
78X9994	GARLK	471689	79470	EATON	9773	7A1582	OLIVE	472164	7EQ1181A	FORD	5401
79339710	BUC-E	416888	7950	C-R	222060	7A1590	OLIVE	450076	7EQ1181A2	FORD	5401
79339710	BUC-E	455200	7950	SKF	222060	7A1590	OLIVE	470334	7EQ4676	FORD	410101N
7939910	BUC-E	416888	7950265040	NRWST	415551	7A930	OLIVE	470954	7EQ4813	FORD	450365
7939910	BUC-E	455200	79567H	IH	415449	7B0103171B	VW	710884	7EQ4813	FORD	470898
7900	C-R	222025	79567H	IH	455147	7B0280	CATER	470027	7EQH1175	FORD	456618
7900	SKF	222025	7959	HYST	415351	7B0368	CATER	416154	7EQH4676	FORD	415458
7903087018	TALBO	224520	79634H	IH	450082	7B2174	CATER	471192	7EQH4676	FORD	455003

INTERCHANGE SECTION

COMPETITIVE INTERCHANGES



Mfr No.	Mfr. National	Mfr No.	Mfr. National	Mfr No.	Mfr. National	Mfr No.	Mfr. National
7F2063	CATER 471763	7T4E6701BA	FORD 710896	8124790550	ISUZU 710491	8901571020	ISUZU 710762
7F3211	CATER 472439	7T4P1177A	FORD 710546	8124791960	ISUZU 710686	8901821660	ISUZU 223542
7F3536	CATER 474278	7T4P1177D	FORD 710546	8124793020	ISUZU 710686	8901835720	ISUZU 710824
7F3536	CATER 6859S	7T4P7F337B	FORD 710544	8124792500	ISUZU 710548	8902804630	ISUZU 1108
7F4236	CATER 456057	7T4P7F337BA	FORD 710544	8124792670	ISUZU 710549	8902984080	ISUZU 710237
7F5916	CATER 415551	7T4P7F401AC	FORD 710561	8125493290	ISUZU 710760	8903421430	ISUZU 3543
7F5921	CATER 417350	7T4Z1177A	FORD 710546	8125505740	ISUZU 100085	8940201290	ISUZU 474133
7F5921	CATER 455479	7T4Z1177B	FORD 710583	8125543140	ISUZU 5512	8940212380	ISUZU 710313
7F6885	CATER 417487	7T4Z1177C	FORD 710583	8125557670	ISUZU 5512	8941014930	ISUZU 710081
7F6885	CATER 455086	7T4Z1177D	FORD 710546	8125612440	ISUZU 100470	8941086630	ISUZU 710098
7F9214	CATER 415035	7T4Z6701AA	FORD 710896	8125681240	ISUZU 710602	8941117500	ISUZU 228480
7G137J216AA	FORD 710738	7T4Z7F337B	FORD 710544	8125746680	ISUZU 710551	8941151740	ISUZU 221720
7G1Z1177A	FORD 710738	7T4Z7F401A	FORD 710561	8125817170	ISUZU 710603	8941215390	ISUZU 474133
7H2199	CATER 415213N	7T4Z7F401B	FORD 710561	8125856710	ISUZU 100085	8941241730	ISUZU 223220
7H6991	CATER 412943	7W3200	CATER 39801	8125856730	ISUZU 100470	8941298840	ISUZU 228700
7H7107	CATER 472015	7W6130	CATER 5613	8125921950	ISUZU 4307V	8941299840	ISUZU 228700
7J6582	CATER 417211	7W6130	FPDSL 5613	8125959230	ISUZU 5512	8941406860	ISUZU 494122
7J6583	CATER 415991	7W6131	CATER 5613	8140395870	ISUZU 710532	8941446140	ISUZU 1174
7J6583	CATER 455146	7W7P7052AA	FORD 4764	8140858290	ISUZU 4307V	8941462050	ISUZU 1012N
7K2009	CATER 471138	7W7Z7052A	FORD 4764	8140909060	ISUZU 9845	8941556730	HONDA 710247
7K2830	CATER 415458	7XA864	OLIVE 415303	8150129680	ISUZU 370001A	8941556730	ISUZU 710247
7K9201	CATER 710023	7Y1039	CHRYSLER 473215	8150129680	ISUZU 380001A	8941586930	ISUZU 7013S
7K9202	CATER 710024	7Y1039	DIA 473215	8150129690	ISUZU 370150A	8941751950	ISUZU 221720
7K9203	CATER 710025	7Y1039	GWI 473215	8150542320	ISUZU 370212A	8941782770	HONDA 225230
7K9204	CATER 710026	7Y1039	IH 473215	8150651800	ISUZU 370211A	8941782770	ISUZU 225230
7K9205	CATER 710027	7Y1039	WHITE 473215	8151745350	ISUZU 370199A	8942149120	ISUZU 224025
7K9206	CATER 710027	7Y1040	CHRYSLER 450593	8152865930	ISUZU 710548	8942149690	ISUZU 222430
7K9208	CATER 710038	7Y1040	DIA 450593	8155886920	ISUZU 370211A	8942152200	ISUZU 1981
7K9209	CATER 710028	7Y1040	GWI 450593	8155886930	ISUZU 370212A	8942161070	ISUZU 710309
7K9211	CATER 710030	7Y1040	IH 450593	8156874190	ISUZU 370048A	8942241490	ISUZU 1949
7L1W4C046BA	FORD 100537	7Y1040	KEN 450593	8156874190	ISUZU 370182A	8942241730	ISUZU 1949
7L1W4C046CA	FORD 100537	7Y1040	WHITE 450593	8156874190	ISUZU 380048A	8942270481	ISUZU 471950
7L2343	CASE 470548	7Y1255	GWI 470027	8157035550	ISUZU 370023A	8942353690	ISUZU 710060
7L2343	CASE 470625	7Y1255	GWI 471554	8157035550	ISUZU 380023A	8942406030	ISUZU 710167
7L2345	CATER 470548	7Y1518	GWI 470120	8157305040	ISUZU 370199A	8942408120	ISUZU 710169
7L2345	CATER 470625	7Y1518	GWI 471224	8159828690	ISUZU 370003A	8942451520	ISUZU 239201
7L243N296AA	FORD 714675	8	BL-KN 415196	8159828690	ISUZU 380003A	8942481170	ISUZU 474230
7L6383	CATER 412015V	8006852150	ISUZU 370003A	8159900040	ISUZU 370008A	8942481171	ISUZU 474230
7M2492	CATER 441130	8006852150	ISUZU 380003A	8192572960	ISUZU 710687	8942481172	ISUZU 474230
7M4236	CATER 456057	8020294090	ISUZU 370023A	8242014700	ISUZU 4934	8942495210	ISUZU 222835
7M4236	FPDSL 456057	8020294090	ISUZU 380023A	8245770950	ISUZU 710605	8942495211	ISUZU 222835
7M7525	CATER 471649	8020944400	ISUZU 370008A	8245770960	ISUZU 710603	8942511710	ISUZU 710308
7M8451	CATER 415379	8039650920	ISUZU 4739	82512	SKF 455475	8942535090	ISUZU 3667
7M8680	CATER 473235	8078081950	ISUZU 7013S	8260107920	HONDA 710166	8943185200	HONDA 474133
7M8805	CATER 450066	8086447090	ISUZU 710544	8260107920	ISUZU 710166	8943185200	ISUZU 474133
7M8805	CATER 473367	8097240100	ISUZU 710268	8260267920	ISUZU 8610	8943185201	HONDA 474133
7M8930	CATER 470059	8097240110	ISUZU 710268	8260291370	HONDA 710166	8943185201	ISUZU 474133
7M8930	CATER 470380	8100362860	ISUZU 9845	8260291370	ISUZU 710166	8943185202	HONDA 474133
7N1999	CATER 5613	8100881580	ISUZU 4359V	8260640280	ISUZU 710506	8943185202	ISUZU 474133
7NF08	GEM 6703S	8101283160	ISUZU 9845	8296	SPICE 357PKG	8943189090	ISUZU 710313
7NF09	GEM 6703S	8102286550	ISUZU 9845	8889356700	ISUZU 710692	8943189091	ISUZU 473179
7NF09	ROSS 6703S	8102432470	ISUZU 9845	8889356710	ISUZU 710693	8943189100	ISUZU 473812
7QH1175	FORD 370023A	8123827330	ISUZU 223010	8889356850	ISUZU 710660	8943264400	ISUZU 239201
7QH1175	FORD 380023A	8124716170	ISUZU 710688	8890176210	ISUZU 710605	8943264410	ISUZU 1990
7RA7657	FORD 473228	8124716180	ISUZU 710687	8890176220	ISUZU 710551	8943270631	ISUZU 228700
7S400	BORGW 223400	8124715230	ISUZU 710474	8890182050	ISUZU 710602	8943270620	HONDA 1981
7S410	BORGW 710416	8124715860	ISUZU 710491	8890483070	ISUZU 710678	8943270620	ISUZU 1981
7S420T	BORGW 223420	8124716140	ISUZU 710547	8890604360	ISUZU 100085	8943270621	ISUZU 1981
7S440	BORGW 710418	8124716800	ISUZU 710491	8901298600	ISUZU 223542	8943348450	ISUZU 1981
7S6798	CATER 330385	8124716860	ISUZU 4762N	8901560020	ISUZU 710824	8943348600	ISUZU 223220

INTERCHANGE SECTION

COMPETITIVE INTERCHANGES

Mfr No.	Mfr.	National	Mfr No.	Mfr.	National	Mfr No.	Mfr.	National	Mfr No.	Mfr.	National
8943363160	ISUZU	710080	8970208250	ISUZU	223540	8970844660	ISUZU	5778V	80028	MCCOR	450154
8943363161	ISUZU	710080	8970233730	HONDA	710620	8971290400	HONDA	710403	80028	MCCOR	473234
8943363170	ISUZU	710081	8970233730	ISUZU	710620	8971290400	ISUZU	710403	80030	MCCOR	450666
8943363171	ISUZU	710081	8970239760	ISUZU	710081	8971290410	HONDA	224250	80032	MCCOR	471689
8943363172	ISUZU	710081	8970239761	ISUZU	710081	8971290410	ISUZU	224250	80034	MCCOR	471354
8943428650	ISUZU	710194	8970239770	ISUZU	710080	8971650840	ISUZU	223253	80034S	MCCOR	471354
8943666100	HONDA	710516	8970239771	ISUZU	710080	8971799370	HONDA	710452	80035	MCCOR	480630
8943666100	ISUZU	710516	8970252060	ISUZU	710060	8971799370	ISUZU	710452	800351	ALLCH	471765
8943679580	ISUZU	710080	8970257980	ISUZU	710194	8972093412	ISUZU	710601	80037	C-R	417602
8943679600	ISUZU	710081	8970257981	ISUZU	710194	8972093422	ISUZU	710892	80037	SKF	417602
8943679601	ISUZU	710081	8970280860	ISUZU	7412S	8972093423	ISUZU	710892	800371	ALLCH	470219
8943695160	ISUZU	222430	8970281480	ISUZU	710441	8972182790	ISUZU	221207	800371	ALLCH	471649
8943790670	ISUZU	222835	8970447390	HONDA	710168	8972182800	ISUZU	2025	80037103	ALLCH	471649
8943807450	ISUZU	221620	8970447390	ISUZU	710168	8972389970	ISUZU	710769	80038	C-R	417602
8943812330	HONDA	710060	8970466980	HONDA	710511	8972389980	ISUZU	221820	80038	SKF	417602
8943812330	ISUZU	710060	8970466980	ISUZU	710511	8972389990	HONDA	710768	8003854	GMC	471801
8943812331	HONDA	710060	8970466990	HONDA	710511	8972389990	ISUZU	710768	8003855	GMC	417316
8943812331	ISUZU	710060	8970466990	ISUZU	710511	8972873580	ISUZU	710770	8003855	GMC	455004
8943895931	HONDA	1981	8970466991	HONDA	710511	8973527450	ISUZU	224025	8004091095	BORGW	415150
8943895931	ISUZU	1981	8970466991	ISUZU	710511	8973735550	HONDA	710516	80042	MCCOR	471750
8944077110	HONDA	710168	8970466992	HONDA	710511	8973735550	ISUZU	710516	8004633	GMC	370178A
8944077110	ISUZU	710168	8970466992	ISUZU	710511	8980365930	HONDA	710357	8004633	GMC	455200
8944077220	HONDA	710169	8970466993	HONDA	710511	8980365930	ISUZU	710357	8004670	GMC	370178A
8944077220	ISUZU	710169	8970466993	ISUZU	710511	8980365940	HONDA	710168	8004670	GMC	455137
8944077261	HONDA	710170	8970467000	HONDA	224250	8980365940	ISUZU	710168	8004673	GMC	450118
8944077261	ISUZU	710170	8970467000	ISUZU	224250	8982029120	ISUZU	710081	8004673	GMC	473449
8944077262	HONDA	710170	8970467011	HONDA	224250	8983217260	ISUZU	370023A	8004846	GMC	416011
8944077262	ISUZU	710170	8970467011	ISUZU	224250	8CG134	MACK	450025	8004846	GMC	417621
8944080830	ISUZU	710268	8970467012	HONDA	224250	8CG134	MACK	471553	8004848	GMC	450301
8944080840	HONDA	710248	8970467012	ISUZU	224250	8CG175	MACK	450316	8004848	GMC	472397
8944080840	ISUZU	710248	8970467032	HONDA	710768	8CG175	MACK	472636	8004855	GMC	370178A
8944080841	HONDA	710248	8970467032	ISUZU	710768	8EJW32	MACK	450307	8004855	GMC	455200
8944080841	ISUZU	710248	8970467040	HONDA	710247	800616	BUC-E	416229	8004866	GMC	450316
8944080851	HONDA	710248	8970467040	ISUZU	710247	802624800	REINZ	710289	8004866	GMC	472636
8944080851	ISUZU	710248	8970467050	HONDA	710247	803363400	REINZ	710790	8004867	GMC	450301
8944223870	HONDA	710247	8970467050	ISUZU	710247	800	UNIVE	417602	8004867	GMC	472397
8944223870	ISUZU	710247	8970467051	HONDA	710247	8001	C-R	6357S	8004885	GMC	470351
8944223880	HONDA	710247	8970467051	ISUZU	710247	8001	SKF	6357S	8004885	GMC	471504
8944223880	ISUZU	710247	8970467053	HONDA	710247	80010	C-R	417601	80050911046	BORGW	472164
8944223900	ISUZU	710157	8970467053	ISUZU	710247	80010	SKF	417601	80050911047	BORGW	450352
8944223910	ISUZU	224250	8970467060	HONDA	710512	800100	MICH	417602	80050911047	BORGW	472164
8944273040	ISUZU	224025	8970467060	ISUZU	710512	8001000	UNIVE	417602	80050911049	BORGW	415458
8944337180	HONDA	710357	8970467070	HONDA	710512	80012	MCCOR	450044	80050911049	BORGW	455003
8944337180	ISUZU	710357	8970467070	ISUZU	710512	800128	HESST	470989	80051344	FALKC	417567
8944415341	ISUZU	710248	8970467071	HONDA	710512	80013	MCCOR	472287	80051353	FALKC	415035
8944418171	ISUZU	473179	8970467071	ISUZU	710512	80014	MCCOR	471570	80051353	FALKC	455035
8944501270	ISUZU	1012N	8970467072	HONDA	710512	80015	MCCOR	450040	80051354	FALKC	416292
8944507690	ISUZU	710136	8970467072	ISUZU	710512	80016	MCCOR	473215	800537	ALLCH	240414
8944595930	ISUZU	710098	8970491450	ISUZU	225020	800166	ALLCH	450076	80056	MCCOR	473213
8944645550	ISUZU	710192	8970491460	ISUZU	710060	800166	ALLCH	470334	80058	MCCOR	450067
8944686541	ISUZU	710308	8970701820	ISUZU	3543	80016602	ALLCH	450076	80058	MCCOR	473228
8944752500	ISUZU	1953	8970724050	ISUZU	3543	80016602	ALLCH	470334	80059	MCCOR	450043
8944797400	ISUZU	221207	8970805620	ISUZU	224025	800181	ALLCH	471787	80059	MCCOR	473419
8944821570	ISUZU	710308	8970818670	HONDA	222036	800223	ALLCH	470543	80060	MCCOR	450030
8960144160	HONDA	3459	8970818670	ISUZU	222036	800223	ALLCH	474272	80060	MCCOR	474253
8960144160	ISUZU	3459	8970819450	HONDA	9912	800225	ALLCH	412473	800616	B-L-H	416229
8960151870	HONDA	6712NA	8970819450	ISUZU	9912	800225	ALLCH	415894	800616	GAL	416229
8960151870	ISUZU	6712NA	8970819452	HONDA	710166	80022505	ALLCH	412473	800616	GR-DV	416229
8970116750	ISUZU	474133	8970819452	ISUZU	710166	80022505	ALLCH	415894	800616	MINMA	416229
8970173500	ISUZU	1990	8970844660	HONDA	5778V	8002697	VOLVO	450078	80063212	TROS	416229

INTERCHANGE SECTION

COMPETITIVE INTERCHANGES



Mfr No.	Mfr.	National	Mfr No.	Mfr.	National	Mfr No.	Mfr.	National	Mfr No.	Mfr.	National
80063216	TROS	416229	80108S	MCCOR	470045	80179AQ	PARK	416865	80215	MCCOR	471647
80064	MCCOR	5976S	80108S	MCCOR	476838	80179AQ	PARK	455070	80216	MCCOR	470219
80066	MCCOR	470120	80109	GW	470120	80179BP	PARK	415867	80216	MCCOR	471649
80066	MCCOR	471224	80109	GW	471224	80179HY	PARK	415725	80217	MCCOR	471733
80068	MCCOR	473212	80109	IH	470120	80179HZ	PARK	417254	80218	MCCOR	470712
8007	ONAN	470163	80109	IH	471224	80179JE	PARK	415072	80219	MCCOR	471785
8007	ONAN	471766	80109	WHITE	470120	80179KF	PARK	473179	80219S	MCCOR	471785
80071	MCCOR	472560N	80109	WHITE	471224	80179KH	REPU	416664	80220	MCCOR	471795
80071	MCCOR	50151S	80110	MCCOR	481644	80179KJ	REPU	415304	80221	MCCOR	473436
8007118	GW	450441	80111	MCCOR	471801	80179KJ	REPU	476470	80222	MCCOR	50327
8007118	GW	471341	80112	MCCOR	471192	80180	MCCOR	471255	80223	MCCOR	474255
800716	ALLCH	340771	80113	MCCOR	470606	80180S	MCCOR	471255	80225	MCCOR	470351
80072	MCCOR	473438	80114R1	IH	240009	801816	WILYS	340787	80225	MCCOR	471504
80076	MCCOR	473228	80118	MCCOR	470548	80182	MCCOR	470027	80226	MCCOR	474278
80079	MCCOR	472354	80118	MCCOR	470625	80182	MCCOR	471554	80226	MCCOR	480356
80079	MCCOR	50395S	80120	MCCOR	470358	80182S	MCCOR	470027	80227	MCCOR	474276
800797	ALLCH	350414	80120	MCCOR	473231	80182S	MCCOR	471554	80228	MCCOR	330385
800797	ALLCH	472311	80120S	MCCOR	470358	80183	MCCOR	471567	80229	MCCOR	473227
8008	KINNR	481073	80120S	MCCOR	473231	80183S	MCCOR	471567	80230	MCCOR	353132
80080	MCCOR	470950	80121	MCCOR	41787S	80184	MCCOR	473414	80232	MCCOR	472299
80080	MCCOR	6241S	80122	MCCOR	450352	80185	MCCOR	471137	80233	MCCOR	323138
80083	MCCOR	471820	80122	MCCOR	472164	80186	MCCOR	450039	80234	MCCOR	450482
80089	MCCOR	5872S	80123	MCCOR	473227	80188	MCCOR	450048	8023438	FAIRB	415371
80090	MCCOR	473211	80124	MCCOR	450400	80189	MCCOR	473427	80237	MCCOR	473423
800906	ALLCH	471868	80125	MCCOR	470403	8019	C-R	450431	80238	MCCOR	474276
80090602	ALLCH	471868	80125	MCCOR	470774	8019	C-R	471539	80239	MCCOR	471255
80091	MCCOR	471192	80126	MCCOR	450593	8019	SKF	450431	8024	FULLE	415146
8009164	GW	40316S	80127	MCCOR	353141	8019	SKF	471539	8024	FULLE	415991
80092	C-R	415052	80128	MCCOR	470004	80190	MCCOR	450054	8024	JA-MI	415146
80092	MCCOR	50468	80130	MCCOR	471532	80191	MCCOR	473225	8024	JA-MI	415991
80092	SKF	415052	80133	MCCOR	40576S	80192	MCCOR	470059	8024	JAE	415146
80093	MCCOR	450494	80138	MCCOR	471787	80192	MCCOR	470380	8024	JAE	415991
80093	MCCOR	472164	80139	MCCOR	473426	80192S	MCCOR	470059	8026	FULLE	417316
80093H	IH	470059	80140	MCCOR	6241S	80192S	MCCOR	470380	8026	FULLE	455004
80093H	IH	470380	80141	MCCOR	470548	80193	MCCOR	470062	8027	C-R	480889
80095	MCCOR	6936S	80141	MCCOR	470625	80193	MCCOR	474264	8027	FULLE	47191
80096	MCCOR	470062	80146	MCCOR	473226	80194	MCCOR	470064	8027	SKF	480889
80096	MCCOR	474264	80147	MCCOR	473228	80194	MCCOR	471821	80273	MCCOR	471413
80097	C-R	8724S	80147	MCCOR	51098	80195	MCCOR	450065	802732	ALLCH	472560N
80097	MCCOR	450066	80148	MCCOR	450185	80197	MCCOR	471442	802732	ALLCH	50151S
80097	MCCOR	473367	80148	MCCOR	473229	80198	MCCOR	472826	80278	MCCOR	450339
80097	SKF	8724S	80161	MCCOR	471763	80198S	MCCOR	472826	8028	JN-MN	370007A
80099	MCCOR	470548	80162	MCCOR	473215	802	EBARR	370025A	80281	MCCOR	450535
80099	MCCOR	470625	80164	MCCOR	471419	802	UNIVE	455123	80281	MCCOR	471264
801	EBARR	370065A	80164	MCCOR	473367	80200	MCCOR	471750	80282	MCCOR	450536
801230	ELRNG	711028	801641	AM HO	416107	80201	MCCOR	473205	80282	MCCOR	471535
801006TA	TRSCM	417602	801641	AM HO	455073	80202	MCCOR	471760	80283	MCCOR	471267
80101	MCCOR	450173	801642	AM HO	417554	80203	MCCOR	471762	8028356	GMC	416288
80102	MCCOR	470163	80166	MCCOR	41264S	80204	MCCOR	471763	80286	MCCOR	410059
80102	MCCOR	471766	80167	MCCOR	240119	80205	MCCOR	470169	80286	MCCOR	470380
80102S	MCCOR	470163	8017	C-R	8609	80205	MCCOR	473214	8028747	GMC	470088
80102S	MCCOR	471766	8017	SKF	8609	80206	MCCOR	473016	8028752	GMC	471689
80103	MCCOR	471765	801723	WILYS	340413	80207	MCCOR	471571	8028753	GMC	471103
80105	MCCOR	450444	80174	MCCOR	471281	80208	MCCOR	450188	8028753	GMC	50197S
80105	MCCOR	471835	80175	MCCOR	471466	80209	MCCOR	450194	8028754	GMC	471570
80106	MCCOR	472705	8017591	GMC	350364	80209	MCCOR	473010	80288	MCCOR	240356
80107	MCCOR	450025	80175S	MCCOR	471466	80212	MCCOR	6863S	80289	MCCOR	240151
80107	MCCOR	471553	80177	MCCOR	471472	80213	MCCOR	471231	80289	NATL	200600
80108	MCCOR	470045	801774	AM HO	416158	80213S	MCCOR	471231	80291	MCCOR	240733
80108	MCCOR	476838	80179	MCCOR	471549	80214	MCCOR	471646	8029148	GMC	471646

INTERCHANGE SECTION

COMPETITIVE INTERCHANGES

Mfr No.	Mfr.	National	Mfr No.	Mfr.	National	Mfr No.	Mfr.	National	Mfr No.	Mfr.	National
80293	MCCOR	240009	80352	MCCOR	470380	80420	MCCOR	471526	80473	MCCOR	470774
80295	MCCOR	340797	80355	MCCOR	40769S	80421	MCCOR	471689	80475	MCCOR	417267
80296	MCCOR	471526	80356	MCCOR	450352	80422	MCCOR	40059S	80481	MCCOR	471466
80299	MCCOR	471224	80356	MCCOR	472164	80424	MCCOR	473228	80483	MCCOR	350156
803	EBARR	370023A	80358	MCCOR	350954	80426	MCCOR	471570	80483	MCCOR	473096
80300	MCCOR	471276	80358	MCCOR	470954	80428	MCCOR	470351	80484	MCCOR	480210
80301	MCCOR	471765	80359	MCCOR	340787	80428	MCCOR	471504	80485	MCCOR	472951
80302	MCCOR	472258	8036	JN-MN	370001A	80429	MCCOR	6597S	80485	MCCOR	474252
80303	MCCOR	8160S	80360	MCCOR	340413	80430	MCCOR	471564	80486	MCCOR	471688
80304	MCCOR	471829	80365	MCCOR	471765	80431	MCCOR	410163	80487	MCCOR	471652
80305	MCCOR	473445	80366	MCCOR	471192	80431	MCCOR	471766	80488	MCCOR	350414
80305S	MCCOR	480479H	80367	MCCOR	471529	80432	MCCOR	471649	80488	MCCOR	472311
80306	MCCOR	471267	80368	MCCOR	340495	8043208	GMC	455079	80489	MCCOR	473224
80307	MCCOR	471192	80369	MCCOR	240385	8043209	GMC	417357	80490	MCCOR	470506
80308	MCCOR	410163	8037	JN-MN	370048A	8043209	GMC	455192	80491	MCCOR	471267
80308	MCCOR	471766	803712	ALLCH	470219	80434	MCCOR	340815	80493	MCCOR	473228
80309	MCCOR	240319	803712	ALLCH	471649	80435	MCCOR	471750	80494	MCCOR	240731
80310	MCCOR	40395	803732	ALLCH	472560N	80436	MCCOR	6597S	80495	MCCOR	240735
80310	MCCOR	40395S	803732	ALLCH	50151S	80437	MCCOR	471705	80496	MCCOR	240736
80311	MCCOR	42763	803735	ALLCH	451583	80438	MCCOR	43089S	80497	MCCOR	240816
80312	MCCOR	40468	80374	MCCOR	240435	80439	MCCOR	6760S	80499	MCCOR	340120
80314	MCCOR	481650	8037417	GMC	417481	8043932	GMC	471760	805	EBARR	370048A
80315	MCCOR	471735	8037418	GMC	418028	8043933	GMC	450194	80500	MCCOR	350364
80316	MCCOR	450161	8037418	GMC	455137	8043933	GMC	473010	80501	MCCOR	351267
80316	MCCOR	471764	803764	WILYS	370021A	8043934	GMC	473226	80501	MCCOR	471267
803162	Y-T	411330N	80377	MCCOR	240414	80440	MCCOR	6241S	80502	MCCOR	340483
80317	MCCOR	471103	80378	MCCOR	481073	80444	MCCOR	470954	80503	MCCOR	481163
80317	MCCOR	50197S	80379	MCCOR	240319	80446	MCCOR	340771	80504	MCCOR	350394
80317S	MCCOR	471103	80380	MCCOR	240462	80447	MCCOR	240470	80504	MCCOR	473227
80317S	MCCOR	50197S	80383	MCCOR	470189	80448	MCCOR	350364	8050473	GMC	410520
80318	MCCOR	481443	80383	MCCOR	471692	80449	MCCOR	471264	8050473	GMC	471272
80319	MCCOR	471192	80387	MCCOR	6312	80450	MCCOR	481443	80505	MCCOR	473424
80320	MCCOR	473228	80388	MCCOR	472287	80453	MCCOR	450666	80506	MCCOR	350974
80321	MCCOR	471344	80389	MCCOR	473421	80454	MCCOR	6985	80508	MCCOR	6759S
80324	MCCOR	453165	80390	MCCOR	471419	8045416	GMC	471787	80511	MCCOR	340356
80324	MCCOR	471619	80390	MCCOR	473367	80455	MCCOR	6840S	80512	MCCOR	205017
80329	MCCOR	473435	803900	AMC	471787	80456	MCCOR	6815	80513	MCCOR	471652
80330	MCCOR	6370N	803900	WILYS	41787S	80458	MCCOR	450185	80513	MCCOR	482208
80332	MCCOR	471442	80392	MCCOR	40382	80458	MCCOR	473229	80514	MCCOR	9568
803329	WILYS	340151	80398	MCCOR	350936	80459	MCCOR	450066	805150	WILYS	6626S
80333	MCCOR	483054N	80398N	MCCOR	350936	80459	MCCOR	473367	80517	MCCOR	473215
80334	MCCOR	417267	80399	MCCOR	452222	80461	MCCOR	40438S	80517A	HERCU	471689
80335	MCCOR	473203	804	EBARR	370001A	80462	MCCOR	6835S	80518	MCCOR	472810
80336	MCCOR	340385	804	UNIVE	415124	80463	MCCOR	470403	80522	MCCOR	410119
80337	MCCOR	40769S	804850	ELRNG	710848	80463	MCCOR	470774	80522	MCCOR	471442
80339	CUMMI	450067	80400	MCCOR	351267	8046320	SPICE	415379	80523	MCCOR	470380
80339	CUMMI	473228	80400	MCCOR	471267	8046320	SPICE	455379	80524	MCCOR	450604
80339	OLIVE	450067	80403	MCCOR	323138	8046333	SPICE	456744N	80525	MCCOR	471567
80339	OLIVE	473228	80405	MCCOR	350679	8046339	SPICE	416921	80527	MCCOR	240009
80341	MCCOR	340151	80405	MCCOR	470954	804634	SPICE	100495	80528	BORGW	471466
80342	MCCOR	340724	80406	MCCOR	240698	804634	SPICE	415281N	80528	MCCOR	351267
80343	MCCOR	471801	80408	MCCOR	9613S	80464	MCCOR	6241S	80528	MCCOR	471267
80344	MCCOR	471829	80409	MCCOR	450431	80465	MCCOR	474278	80529	MCCOR	7022S
80345	MCCOR	471571	80409	MCCOR	471539	80465	MCCOR	6859S	80529S	MCCOR	7022S
8034503	GMC	450519	80410	MCCOR	471413	80466	MCCOR	8160S	8053	C-R	471231V
8034503	GMC	471271	804101	MICH	455123	80469	MCCOR	6863S	8053	SKF	471231V
80347	MCCOR	6545	8041012	UNIVE	455123	80470	MCCOR	471076	805308	WILYS	40286
80348	MCCOR	471765	80416	MCCOR	471684	8047077	GMC	413478	80532	MCCOR	473231
80349	MCCOR	340927	80416	MCCOR	471698	80471	MCCOR	5872S	80533	MCCOR	451147H
80352	MCCOR	410059	80418	MCCOR	481568	80473	MCCOR	470403	80535	MCCOR	7038SA

INTERCHANGE SECTION

COMPETITIVE INTERCHANGES



Mfr No.	Mfr. National	Mfr No.	Mfr. National	Mfr No.	Mfr. National	Mfr No.	Mfr. National
80537	MCCOR 470625	80604	MCCOR 7399S	80650	MCCOR 8773S	806738200	SUBAR 223801
80539	MCCOR 472432	80605	MCCOR 480210	80651	MCCOR 7886S	806742110	SUBAR 1953
80539	MCCOR 474256	80606	MCCOR 40769S	80652	MCCOR 7013S	806742160	SUBAR 3051N
80540	MCCOR 340787	80607	MCCOR 7412S	8065485	GMC 412920	806750030	SUBAR 225010
80541	MCCOR 352541	8060884	VOLVO 370025A	8065485	GMC 450132	806750040	SUBAR 225010
80542	MCCOR 470954	8060884	WHITE 380025A	80657	MCCOR 240119	806750050	SUBAR 225010
805424	AM HO 416345	8060884	WHITE 386025A	80658	MCCOR 7607	806750060	SUBAR 225010
805424	AM HO 455033	8060885	VOLVO 370001A	80660	MCCOR 471827	806750070	SUBAR 225005
805425	AM HO 415035	8060885	WHITE 380001A	80661	MCCOR 7934S	806752010	SUBAR 710265
805425	AM HO 455035	8060886	VOLVO 370023A	80662	MCCOR 291295	806752020	SUBAR 710265
805430	AM HO 416888	8060886	WHITE 380023A	80663	MCCOR 471193N	806768010	SUBAR 710234
805430	AM HO 455200	8060887	VOLVO 370005A	80664	MCCOR 7929S	806768040	SUBAR 710234
805432	AM HO 415351	8060888	VOLVO 370003A	80665	MCCOR 8059S	806768060	SUBAR 710234
8054341	GMC 473016	8060888	WHITE 380003A	806715060	SUBAR 2027	806770010	SUBAR 1021V
805449	AM HO 417298	8060889	VOLVO 370182A	806716020	SUBAR 710862	806770011	SUBAR 1021V
80545	MCCOR 41787S	8060889	WHITE 370048A	806716040	SUBAR 710862	806770012	SUBAR 1021V
80546	MCCOR 330663	8060889	WHITE 380048A	806716060	SUBAR 710862	806770013	SUBAR 1021V
80546	MCCOR 472354	8060890	VOLVO 370021A	806718020	SUBAR 223831	806776010	SUBAR 1019
80548	MCCOR 473412	80609	MCCOR 474260	806718090	SUBAR 223831	806776011	SUBAR 1019
80549	MCCOR 471264	80610	MCCOR 41257	806719010	SUBAR 222030	806786010	SUBAR 710235
80550	MCCOR 7014S	80612	MCCOR 331228H	806719030	SUBAR 222030	806786020	SUBAR 710235
80551	MCCOR 340823	80614	MCCOR 470774	806719040	SUBAR 222030	806786030	SUBAR 710235
80553	MCCOR 451583	80615	MCCOR 203008	806722040	SUBAR 222240	806786040	SUBAR 710235
80554	MCCOR 471763	80616	MCCOR 474278	806725090	SUBAR 222558	806786050	SUBAR 710235
80557	MCCOR 471195	80617	MCCOR 203016	806727030	SUBAR 222745	80670	MCCOR 8293S
80557	MCCOR 481195	80618	MCCOR 7781S	806727040	SUBAR 222745	80671	MCCOR 8160S
80560	MCCOR 340853	8061840	VOLVO 370001A	806727070	SUBAR 222745	80671	NATL 200640
80562	MCCOR 350567	8061840	VOLVO 380001A	806727080	SUBAR 222745	806718010	SUBAR 221820
80562	MCCOR 471267	8061840	WHITE 370001A	806727170	SUBAR 222745	80672	MCCOR 8121S
80564	MCCOR 350823	8061840	WHITE 380001A	806730020	SUBAR 712001	806720060	SUBAR 222050
80564	MCCOR 473454	80619	MCCOR 203003	806730021	SUBAR 223018	806722050	SUBAR 222240
80570	MCCOR 473426	80620	MCCOR 6906S	806730031	SUBAR 223050	806723010	SUBAR 222340
80572	MCCOR 473237	80621	MCCOR 203012	806730032	SUBAR 223051	80673	MCCOR 8133S
80574	MCCOR 6863S	80622	MCCOR 203025	806730041	SUBAR 223050	806732050	SUBAR 223230
805741	WILYS 471267	80623	MCCOR 203013	806730042	SUBAR 223051	806732150	SUBAR 223230
80575	MCCOR 6847S	80624	MCCOR 6832S	806730110	SUBAR 1981	806735070	SUBAR 710324
80576	MCCOR 340400	80625	MCCOR 204008	806732030	SUBAR 223255	806735210	SUBAR 710324
8057681	GMC 450067	80627	MCCOR 204020	806732130	SUBAR 710819	806738040	SUBAR 223831
8057681	GMC 473228	80627	MCCOR 204505	806732160	SUBAR 710819	80674	MCCOR 7994S
80577	MCCOR 6703S	80628	MCCOR 481073	806732200	SUBAR 223255	80675	MCCOR 484054
80582	MCCOR 321460	80630	MCCOR 40162S	806733010	SUBAR 710236	80676	MCCOR 342805
80589	MCCOR 7486S	80631	MCCOR 410059	806733020	SUBAR 710236	8067692	GMC 450183
80593	MCCOR 471193N	80631	MCCOR 470380	806733030	SUBAR 710236	8067692	GMC 472179
80594	MCCOR 7994S	80632	MCCOR 450400	806735130	SUBAR 1173	8067694	GMC 470045
80595	MCCOR 451182	80633	MCCOR 204017	806735170	SUBAR 1173	8067694	GMC 476838
80597	MCCOR 473234	80635	MCCOR 482253	806735180	SUBAR 3771	80678	MCCOR 40652S
8059958	GMC 417481	80636	MCCOR 203003	806735190	SUBAR 3771	80679	MCCOR 5MR1300
8059S	TIMKE 8059S	8063666	GMC 471762	806735230	SUBAR 710739	80681	MCCOR 482041N
805D5	WHITE 417159	80639	MCCOR 471744	806735240	SUBAR 710724	80682	MCCOR 7834
805VB7	MARI 417602	80640	AM WH 471765	806735270	SUBAR 1173	80683	MCCOR 472705
806	UNIVE 417022	80640	MCCOR 471195	806735280	SUBAR 1173	80685	MCCOR 471652
8060	C-R 471231	80640	MCCOR 481195	806735290	SUBAR 710724	80686	MCCOR 480821
8060	JN-MN 370020A	80641	AM WH 450067	806735300	SUBAR 710739	80687	MCCOR 473228
8060	SKF 471231	80641	AM WH 473228	806738030	SUBAR 223830	80687	MCCOR 51098
80600	MCCOR 7188S	80641	MCCOR 470064	806738070	SUBAR 1038	80688	MCCOR 410059
80601	MCCOR 7537S	80641	MCCOR 471821	806738100	SUBAR 710233	80688	MCCOR 470380
8060152	GMC 450067	80643	MCCOR 203029	806738110	SUBAR 710859	80690	MCCOR 9613S
8060152	GMC 473228	80645	MCCOR 473228	806738170	SUBAR 710233	80691	MCCOR 50266
80602	MCCOR 7399S	80648	MCCOR 7495S	806738180	SUBAR 223801	80692	MCCOR 7934S
80603	MCCOR 7840S	80649	MCCOR 6241S	806738190	SUBAR 710859	80693	MCCOR 8597S

INTERCHANGE SECTION

COMPETITIVE INTERCHANGES

Mfr No.	Mfr.	National	Mfr No.	Mfr.	National	Mfr No.	Mfr.	National	Mfr No.	Mfr.	National
80696	MCCOR	471193N	80M10	GR-DV	J1140	812551700	REINZ	710232	813939100	REINZ	710822
80697	MCCOR	471267	80M11	GR-DV	J1081	812558300	REINZ	710803	814002800	REINZ	710608
80698	MCCOR	51322	80M12	GR-DV	J1107	812558710	REINZ	710190	814024900	REINZ	710834
80700	MCCOR	311189	80M13	GR-DV	J1105	812578900	REINZ	710580	814029200	ELRNG	229010
80702	MCCOR	8660S	80M4	GR-DV	J1132	812624900	REINZ	710288	814030300	REINZ	710834
80703	MCCOR	8705S	80M5	GR-DV	J1101	812624910	REINZ	710813	814032800	REINZ	712009
80704	MCCOR	9569S	80M6	GR-DV	J1122	812626800	REINZ	713087	814038900	REINZ	710332
807608	CUSH	472287	80TX116	COTTA	471192	812729410	REINZ	710237	814048900	REINZ	710761
807610	CUSH	205004	80TX125	COTTA	472185	812737300	REINZ	231003	814051600	REINZ	710279
807611	CUSH	471571	80TX134	COTTA	411253	812755600	REINZ	710550	814069700	REINZ	225010
807626	CUSH	240731	80TX144	COTTA	415009	812823600	REINZ	710613	814070900	REINZ	710674
807630	CUSH	204020	80TX144	COTTA	415960	813336000	REINZ	223220	814087400	REINZ	710621
807630	CUSH	204505	80TX288	COTTA	455197N	813348900	REINZ	224200	814121900	REINZ	710850
807734	AM HO	415379	80TX314	COTTA	417349	813358100	REINZ	710550	814238200	REINZ	710279
807734	AM HO	455379	80TX334	COTTA	470898	813363200	REINZ	1172	814244900	REINZ	223750
807975	AM HO	455129	80TX343	COTTA	470605	813363310	REINZ	710669	814582400	REINZ	710620
807VB7	MARI	417604	80TX410	COTTA	416125	813363600	VOLVO	223020	815110920	REINZ	3774
808	C-R	5111S	80TX411	COTTA	240735	813386900	REINZ	711002	815110930	REINZ	3774
808	EBARR	370036A	80TX483	COTTA	416921	813405700	REINZ	710785	815321600	REINZ	712007
808	SKF	5111S	80TX547	COTTA	415147	813406200	REINZ	710786	815321800	REINZ	710553
808	UNIVE	417604	80TX547	COTTA	415449	813414600	REINZ	710711	815321900	REINZ	222743
808102	MICH	415124	80TX571	COTTA	410312N	813415800	REINZ	710127	815322100	REINZ	222860
8081025	UNIVE	415124	80TX572	COTTA	471138	813431600	REINZ	713771	815322200	REINZ	712008
808118	AM HO	417362	80TX660	COTTA	415483	813431700	REINZ	3772	815322400	REINZ	320595
808151	AM HO	415938	80TX683	COTTA	471138	813436600	REINZ	710618	815322600	REINZ	1981
808197	AM HO	416364	80VX1306	COTTA	J1121	813436700	REINZ	3476	815322800	REINZ	223012
8083254	GMC	416271	80VX1322	COTTA	J1103	813436800	REINZ	3476	815323200	REINZ	223018
8083554	GMC	415023	80X100X10	NATL	228010	813445400	REINZ	710849	815323300	REINZ	710332
8083560	GMC	455018	80X116	COTTA	471192	813479800	REINZ	710894	815323400	REINZ	223235
8083560	GMC	476470	811037500	REINZ	224663	813480500	REINZ	320348	815323600	REINZ	710310
8088	C-R	450030	811037600	REINZ	229005	813481900	REINZ	716102	815323900	REINZ	223230
8088	C-R	474253	811037700	REINZ	710436	813484200	REINZ	223005	815324300	REINZ	223420
8088	SKF	450030	811529310	REINZ	711029	813507400	REINZ	710608	815324400	REINZ	223420
8088	SKF	474253	811551250	REINZ	223005	813514700	REINZ	710799	815324600	REINZ	710329
808VB7	MARI	415128	811585540	REINZ	1172	813552200	REINZ	224052	815324700	REINZ	1987
809	EBARR	370003A	811600410	REINZ	710403	813555300	REINZ	710761	815324900	REINZ	710331
80926TA	TRSCM	417600	811673710	REINZ	225020	813587800	REINZ	223035	815325300	REINZ	710611
809323	ACF	450456	811684710	REINZ	710642	813588100	REINZ	227409	815325400	REINZ	223750
8093412	GMC	418028	811740410	REINZ	716484	813591600	REINZ	711007	815326100	REINZ	1038
8093412	GMC	455137	811740450	REINZ	716484	813602400	REINZ	224200	815326300	REINZ	223831
80956TA	TRSCM	417601	811915910	REINZ	222820	813602600	REINZ	225530	815326800	REINZ	224025
809864	WILYS	470548	811929910	REINZ	3476	813602700	REINZ	710279	815327100	REINZ	224020
809864	WILYS	470625	811986610	REINZ	223542	813655800	REINZ	711001	815327200	REINZ	711005
8099723	GMC	450316	812000430	REINZ	229005	813667100	REINZ	225010	815327300	REINZ	224053
8099723	GMC	472636	812028600	REINZ	3393	813678900	REINZ	710857	815327400	REINZ	2025
8099724	GMC	450085	812074540	REINZ	229005	813700200	REINZ	710127	815327700	REINZ	2012V
8099724	GMC	470530	812074550	REINZ	229005	813712200	REINZ	229005	815327900	REINZ	224460
809VB7	MARI	417601	812100110	REINZ	224252	813712700	REINZ	710785	815327910	REINZ	224460
80AX763	MACK	J1123	812260000	REINZ	223230	813718400	REINZ	710788	815328200	REINZ	710345
80DT7052A3A	FORD	2655	812266000	REINZ	223230	813718600	REINZ	710790	815328400	REINZ	224650
80ET7048AA	FORD	2503N	812370840	REINZ	716102	813743900	REINZ	710813	815328600	REINZ	710255
80ET7052AA	FORD	2443	812401000	REINZ	710714	813760800	REINZ	710887	815328700	REINZ	225020
80L2	GR-DV	J1129	812429210	REINZ	710618	813822900	REINZ	710237	815328800	REINZ	710354
80L4	GR-DV	J1109	812445910	REINZ	223020	813823600	REINZ	710811	815330100	REINZ	710334
80L5	GR-DV	J1121	812490810	REINZ	228008	813823700	REINZ	710674	815330200	REINZ	227045
80L6	GR-DV	J1117	812490910	REINZ	1108	813834200	REINZ	223005	815330600	REINZ	227235
80L7	GR-DV	J1118	812526810	REINZ	710290	813834300	REINZ	320348	815331300	REINZ	710676
80L8	GR-DV	J1131	812545110	REINZ	3771	813853200	REINZ	710849	815331400	REINZ	1019
80L9	GR-DV	J1119	812545210	REINZ	3772	813883700	REINZ	710415	815331800	REINZ	710465
80M1	GR-DV	J1136	812551610	REINZ	710824	813933700	REINZ	710789	815332300	REINZ	228015

INTERCHANGE SECTION

COMPETITIVE INTERCHANGES



Mfr No.	Mfr. National	Mfr No.	Mfr. National	Mfr No.	Mfr. National	Mfr No.	Mfr. National
815332800	REINZ 228410	81040	TRACN 450291	8123077	AMC 473229	8134680	AMC 710058
815332900	REINZ 228411	81040	TRACN 471141	812335	CUSH 473228	8134680	CHRYS 710058
815333100	REINZ 710767	810422	AM HO 416865	812335	O-M 473228	8135	DAVEY 450070
815333200	REINZ 710765	810427	AM HO 417247	81245	C-R 455123	8135	DAVEY 472185
815333300	REINZ 710235	810441	AM HO J1134	81245	SKF 455123	813620	GR-DV 417298
815333800	REINZ 228008	810442	AM HO J1136	81246	C-R 455123	813674	CUSH 7399S
815334200	REINZ 229010	810510	SUPER 413247	81246	SKF 455123	813674	O-M 7399S
815334300	REINZ 710894	810510	SUPER 450350	8124630	AMC 5131	8137148	COC 323138
815334410	REINZ 229210	810510	TRACN 413247	8124832	AMC 5131	8137328	COC 415697
815340400	REINZ 228250	810510	TRACN 450350	8124869	AMC 331227H	8137328	COC 455547
815342400	REINZ 710794	810513	SUPER 410312N	8124881	AMC 3638	8137391	AMC 471652
815342600	REINZ 225020	810518	SUPER 455290	8124893	AMC 9613S	8137391	AMC 482208
815345300	REINZ 223010	81060	GRAM 473226	812517	SHOV 455297	8138013	AMC 2443
815346700	REINZ 710642	810691	WILYS 471652	8125718	AMC 3638	8139	ALLCH 415995
815350800	REINZ 223801	8107125	GMC 417316	8126S	TIMKE 8126S	8139	ALLCH 455013
815352600	REINZ 710886	8107125	GMC 455004	8127231	GMC 470027	8139	TIMKE 8139
815354100	REINZ 710860	810915	WILYS 350909	8127231	GMC 471554	8139	TRAC 415995
815355600	REINZ 710189	810915	WILYS 471224	8127350	AMC 722109	8139	TRAC 455013
815366100	REINZ 710356	810943	WILYS 471765	8127387	AMC 9613S	814	UNIVE 455129
815370400	REINZ 710520	8110	BORGW 473234	8127391	AMC 3638	8140	C-R 470515
815370600	REINZ 710521	811011C1	IH 204029	8127472	AMC 313156	8140	SKF 470515
815372600	REINZ 710332	811011C1	IH 204507	8128013	AMC 2443	814477	CUSH 472475
815375800	REINZ 710610	81101429	BUC-E 416107	8128016	AMC 222820	814477	O-M 472475
815376400	REINZ 224053	81101429	BUC-E 455073	8128797	AMC 8609	814488	CUSH 473227
815377200	REINZ 710451	811035	C-W 473460	8129096	AMC 2300	8145	CHAMP 416137
815380700	REINZ 710608	811035	WOOL 473460	8130259	AMC 3476	814634	SPICE 330385
815391800	REINZ 710236	8110351	AMC 450067	8130762	AMC 471737	814686	WHITE 472179
815394400	REINZ 710819	8110351	AMC 473228	8130808	AMC 3946	81475R91	IH 8160S
815397200	REINZ 714436	8110371	AMC 450494	8130810	AMC 3946	81476R91	IH 8160S
815397900	REINZ 710531	8110371	AMC 472164	8130870	AMC 3173	814796	WHITE 470548
815398100	REINZ 228005	8110486	AMC 471466	8130870	AMC 710928	814796	WHITE 470625
815400600	REINZ 3051N	8111601	AMC 351267	8130982	AMC 341022	814797	WHITE 470548
815401800	REINZ 710644	8111601	AMC 471267	8131286	COC 6186	814797	WHITE 470625
815406800	REINZ 710935	81122	GRAM 471820	8131669	AMC 711552	81480	EATON 722250
815406900	REINZ 710936	8112404	AMC 351267	8131674	AMC 471466	814816	WHITE 415991
815408700	REINZ 710707	8112404	AMC 471267	8131684	AMC 3173	814F	OSHKO 471820
815409700	REINZ 224200	812	UNIVE 415128	8131684	AMC 710928	81516H	IH 472560N
815409800	REINZ 710767	8120358	AMC 471766	8132218	AMC 3698	81516H	IH 50151S
815412900	REINZ 710639	812041	AM HO 417247	8132221	AMC 9845	815177	CUSH 470625
815419300	REINZ 710187	812057	AM HO 455480	8132422	COC 473243	815177	O-M 470625
815419400	REINZ 710526	812059	AM HO 415960	8132504	AMC 3173	815187	CUSH 471571
815427100	REINZ 710896	8120839	AMC 8609	8132504	AMC 710928	815187	O-M 471571
815427200	REINZ 710837	8120977	AMC 8935S	8132672	AMC 472439	815219C91	IH 200752
815432200	REINZ 223800	8120978	AMC 7300S	8132702	JEEP 470331N	81540R91	IH 240698
819000000	REINZ 710848	8120982	AMC 341022	8132779	AMC 7412S	815497	WHITE 416070
819000200	REINZ 710812	812103	MICH 417022	813281	O-M 472432	815816	CUSH 471766
819000610	REINZ 710759	8121037	UNIVE 417022	813281	O-M 474256	815835	IVECO 224252
819001000	REINZ 710617	8121246	GMC 473458	813282	CUSH 471643	815947	WHITE 416070
819001200	REINZ 710600	8121397	AMC 722108	8132822	AMC 483793	8160S	NATL 471827
819002400	REINZ 710759	8121399	WILYS 472397	8132957	AMC 473442	8160S	NATL 8160S
819003300	REINZ 710449	8121781	AMC 710068	8133432	AMC 3946	8160S	TIMKE 8160S
819003500	REINZ 710787	8121M	BRAD 470380	8133528	AMC 3638	816105	MICH 417604
819007500	REINZ 223750	8121S	TIMKE 8121S	8133529	AMC 313156	8161050	UNIVE 417604
810	EBARR 370022A	8122404	AMC 5872S	8133643	AMC 341022	8165	TIMKE 8165
810	UNIVE 417567	8122671	AMC 7300S	8133S	TIMKE 8133S	81673	EATON 712625
810041	EL-PA 473225	8122671	CHRYS 2465	8134012	AMC 2506	81674	EATON 712375
810090	EL-PA 412119	8122739	AMC 2506	8134216	AMC 472319	8169240AA019	GE 471472
810090	EL-PA 450101	8122838	AMC 331228H	8134446	AMC 710046	8169240AAP3	GE 330385
81040	SUPER 450291	8122839	AMC 331227H	8134478	AMC 3173	8169240AD10	GE 351267
81040	SUPER 471141	8123077	AMC 450185	8134478	AMC 710928	8169240AD10	GE 471267

INTERCHANGE SECTION

COMPETITIVE INTERCHANGES

INTERCHANGE SECTION

Mfr No.	Mfr.	National	Mfr No.	Mfr.	National	Mfr No.	Mfr.	National	Mfr No.	Mfr.	National
8169240AD7	GE	340469	82590878	BUC-E	417600	82365	GRAM	40769S	826388	WHITE	472636
8169240AD9	GE	351267	82591110	BUC-E	417602	8238	HYST	415995	827564	WHITE	6638S
8169240AD9	GE	471267	82591665	BUC-E	417604	8238	HYST	455013	827696	GW	410312N
8169240ADP1	GE	350954	82591815	BUC-E	455129	823D6	DIA	6864S	827849	BUC-E	417487
8169240ADP1	GE	470954	82591847	BUC-E	415090	823D6	WHITE	6864S	827849	BUC-E	455014
8169240ADP2	GE	340787	82591875	BUC-E	455462	824097C91	IH	472397	827952	GW	471466
817	GREEN	240731	82591953	BUC-E	417606	824107	MICH	415128	827953	GW	470120
817518	WHITE	240414	82592105	BUC-E	415482	8241075	UNIVE	415128	827953	GW	471224
8178	C-R	471645	828714	BUC-E	470064	8243	TIMKE	8243	827954	GW	471765
8178	C-R	471645V	828714	BUC-E	471821	824634	SPICE	100495	827955	GW	470163
8178	SKF	471645	8287259	BUC-E	470086	824634	SPICE	415281N	827955	GW	471766
8178	SKF	471645V	828751	BUC-E	415072	824636	SPICE	415995V	827956	GW	470169
817960	WHITE	471442	8200294	EATON	410520	824636	SPICE	455995N	827956	GW	473214
818399	ELRNG	231003	8200294	EATON	471272	82465612	TROS	455584	827957	GW	473016
8181NA	TIMKE	8181NA	82009	MC-CL	470954	824878C91	IH	416706	827958	GW	450185
818604	WHITE	417181	820106	MICH	417567	8249	BU-SP	450085	827958	GW	473229
81886	EATON	415483	8201062	UNIVE	417567	8249	BU-SP	470530	827959	GW	450194
8190535	GMC	416271	820133	ADAMS	471267	8250	BU-SP	450067	827959	GW	473010
8193021	IVECO	716484	820133	LETN	471267	8250	BU-SP	473228	827960	GW	450069
8193659	IVECO	716484	820213C1	IH	473317	8251	BU-SP	417316	827960	GW	473232
819412	WHITE	240731	820225C1	IH	321516	8251	BU-SP	455004	827961	GW	450070
819619	WHITE	415036	820225C1	IH	471516	82510	C-R	455475	827961	GW	472185
819685	WHITE	6649	820394	EATON	614743	82510	SKF	455475	827962	GW	450183
819704	WHITE	417316	820395	EATON	614743	82512	C-R	455475	827962	GW	472179
819704	WHITE	455004	8204	SUPER	415001	8252	BU-SP	470682	827963	GW	470088
819723	WHITE	416888	8204	SUPER	455001	8253	BU-SP	417344	827964	GW	472439
819819	WHITE	417344	820446	EATON	8635S	8253	BU-SP	455006	827965	GW	414045
819819	WHITE	455006	820494	ADAMS	472299	8254	BU-SP	415449	827966	GW	450082
81982	CATER	410101N	8206	FULLE	417316	8254	BU-SP	455147	827966	GW	473238
819891	WHITE	417344	8206	FULLE	455004	825426	WHITE	415437	827967	GW	472924
819891	WHITE	455006	8207	FULLE	450084	825426	WHITE	455173	827968	GW	472015
81D6	WHITE	417191	821188	ADAMS	472185	82545	EATON	415458	827969	GW	410312N
81DT7A248A3A	FORD	2658V	8213	C-R	471337	82545	EATON	455003	827970	GW	450316
81SM6700A4A	FORD	3771	8213	SKF	471337	82545	IH	475003N	827970	GW	472636
81SM6701A4A	FORD	3772	821366	ALLCH	471785	82545H	IH	475003N	827971	GW	413247
81SM6K292A4A	FORD	3774	821414C1	IH	411253	82546H	IH	410737	827971	GW	450350
81T3591	FORD	474278	821414C1	IH	450099	82546H	IH	450737	827972	GW	415449
81T3591	FORD	480356	8215	C-R	471686	82548	GRAM	471750	827972	GW	455147
81T3591A	FORD	474278	8215	SKF	471686	82560	C-R	415124	827973	GW	417316
81T3591A	FORD	480356	821568	ALLCH	471785	82560	SKF	415124	827973	GW	455004
82588150	BUC-E	471554	821610	WABCO	471692	825624	MINMA	417596	827974	GW	55238
82588250	BUC-E	240731	821614	LETN	471652	82567	C-R	416951	827975	GW	416654
82588252	BUC-E	240731	8218526	RCA	471466	82567	SKF	416951	827975	GW	455012
82588330	BUC-E	470625	8219	HYST	416271	82570	C-R	416422	827976	GW	415995
82588400	BUC-E	416444	8219B	HYST	416271	82570	SKF	416422	827976	GW	455013
82588410	BUC-E	412861	82201	L&N	240462	82588300	BUC-E	240736	827977	GW	415013
82588550	BUC-E	417495	822072	EATON	370048A	82588303	BUC-E	473211	827977	GW	415995
82588675	BUC-E	417512	822072	EATON	370182A	82588490	BUC-E	470590	827978	GW	416011
82588685	BUC-E	417512	822072	EATON	380048A	825909	WHITE	472560N	827978	GW	417621
82588695	BUC-E	455195	8221321	GMC	413247	825909	WHITE	50151S	827979	GW	417539
82588695	BUC-E	472157	8221321	GMC	450350	825933	WHITE	471466	8280	C-R	471729
82588705	BUC-E	416888	8221418	GMC	417210	8260291390	ISUZU	8660S	8280	FULLE	472439
82588705	BUC-E	455200	822309	WOOL	415991	826047	WHITE	415035	8280	SKF	471729
82588715	BUC-E	415371	822309	WOOL	455146	826047	WHITE	455035	828054	GW	240319
82588810	BUC-E	415645	82246R1	IH	5M293	826061	WHITE	6270	828055	GW	40140S
82588810	BUC-E	455104	8231	HYST	450069	826361	WHITE	5872S	8281087	UNIVE	455129
82588960	BUC-E	417362	8231	HYST	473232	826368	MERIX	410316	828160	GW	471138
82589215	BUC-E	417298	823521	GW	417488	826368	MERIX	472636	828161	GW	40566S
82589750	BUC-E	417598	8236	FULLE	472299	826368	ROCKW	410316	828171	GW	415449
82589760	BUC-E	455121	82363	GRAM	5778	826368	ROCKW	472636	828171	GW	455147

COMPETITIVE INTERCHANGES



Mfr No.	Mfr. National	Mfr No.	Mfr. National	Mfr No.	Mfr. National	Mfr No.	Mfr. National
828599	<i>GW</i> 450352	83030	<i>FWD</i> 415458	831007	<i>GW</i> 415894	831534	<i>WHITE</i> 480356
828599	<i>GW</i> 472164	83031	<i>FWD</i> 415003	831008	<i>WHITE</i> 415960	831551	<i>WHITE</i> 323138
828604	<i>WHITE</i> 417181	83031	<i>FWD</i> 415458	831008	<i>WHITE</i> 455009	831556M1	<i>MASSE</i> 470354
828605	<i>WHITE</i> 415995	83032	<i>FWD</i> 471652	83101	<i>FWD</i> 415060	83158	<i>FWD</i> 415147
828605	<i>WHITE</i> 455013	83036	<i>FWD</i> 415389	83102	<i>FWD</i> 415351	83158	<i>FWD</i> 415449
828628	<i>WHITE</i> 415458	83037	<i>FWD</i> 417316	831048M1	<i>MASSE</i> 482253	831604M1	<i>MASSE</i> 473117
828628	<i>WHITE</i> 455003	83039	<i>FWD</i> 455556	831049M1	<i>MASSE</i> 480491	83161	<i>CATER</i> 416130
828630	<i>WHITE</i> 411500	83041	<i>FWD</i> 471646	831056M1	<i>MASSE</i> 450069	83161	<i>FWD</i> 470764
828631	<i>WHITE</i> 415041	83042	<i>FWD</i> 470358	831056M1	<i>MASSE</i> 473232	8316251	<i>HR-DV</i> 350414
828688	<i>WHITE</i> 471137	83042	<i>FWD</i> 473231	831135	<i>WHITE</i> 415725	8316251	<i>HR-DV</i> 472311
828733	<i>BUC-E</i> 471869	83043	<i>FWD</i> 415077	831135M1	<i>MASSE</i> 240733	83163R91	<i>IH</i> 470358
828733	<i>BUC-E</i> 473459	83045	<i>FWD</i> 455080	83114	<i>FWD</i> 417316	83163R91	<i>IH</i> 473231
828954	<i>GW</i> 240319	83047	<i>FWD</i> 450078	83114	<i>FWD</i> 455004	83165	<i>FWD</i> 415899N
829056	<i>ELRNG</i> 716102	83047	<i>FWD</i> 473444	831145M1	<i>MASSE</i> 471276	83165	<i>FWD</i> 416624N
829211	<i>WHITE</i> 471192	83048	<i>FWD</i> 411376	83115	<i>FWD</i> 415991	831660M1	<i>MASSE</i> 470219
8293S	<i>TIMKE</i> 8293S	83048	<i>FWD</i> 455093	83115	<i>FWD</i> 415991N	831660M1	<i>MASSE</i> 471649
829522	<i>WHITE</i> 330385	83049	<i>FWD</i> 410496	83115	<i>WHITE</i> 415725	8316N	<i>TIMKE</i> 8316
829638C1	<i>IH</i> 470045	83050	<i>FWD</i> 415483	83117	<i>FWD</i> 450400	831701M1	<i>MASSE</i> 240151
829638C1	<i>IH</i> 476838	83050	<i>FWD</i> 455368	831222M1	<i>MASSE</i> 417343	83174	<i>FWD</i> 415003
829653	<i>GW</i> 416107	83051	<i>FWD</i> 415187	831225M1	<i>MASSE</i> 240736	83174	<i>FWD</i> 415458
829653	<i>GW</i> 455073	83052	<i>FWD</i> 471270	831236M1	<i>MASSE</i> 473237	83175	<i>FWD</i> 415483
829672	<i>GW</i> 417604	83053	<i>FWD</i> 471647	83124	<i>FWD</i> 472150	83176	<i>FWD</i> 417344
829706	<i>WHITE</i> 473227	83056	<i>FWD</i> 471820	831245M1	<i>MASSE</i> 340835	83177	<i>FWD</i> 417181
83000	<i>FWD</i> 453165	83059	<i>FWD</i> 471750	831247M1	<i>MASSE</i> 471344	831776M1	<i>MASSE</i> 470530
83000	<i>FWD</i> 471619	83061	<i>FWD</i> 450094	83127	<i>FWD</i> 415995	83178	<i>FWD</i> 415004
83002	<i>FWD</i> 416664	83061	<i>FWD</i> 473462	83127	<i>FWD</i> 455013	83178	<i>FWD</i> 417316
83002	<i>FWD</i> 455364	83065	<i>FWD</i> 415559	831281M1	<i>MASSE</i> 450085	83180	<i>FWD</i> 416278
83003	<i>FWD</i> 481864	83068	<i>FWD</i> 416167	831281M1	<i>MASSE</i> 470530	83183	<i>FWD</i> 473227
83004	<i>FWD</i> 470169	83068	<i>FWD</i> 455091	831282M1	<i>MASSE</i> 450085	831833M1	<i>MASSE</i> 340151
83004	<i>FWD</i> 473214	83071	<i>FWD</i> 414268	831282M1	<i>MASSE</i> 470530	83184	<i>FWD</i> 415302
83008	<i>FWD</i> 450446	83071	<i>FWD</i> 450539	831289M1	<i>MASSE</i> 481181	831899M1	<i>MASSE</i> 416921
8300992	<i>UNIT</i> 450084	83072	<i>CLARK</i> 417537	831289M1	<i>MASSE</i> 481181N	831899M1	<i>MASSE</i> 455011
83012	<i>FWD</i> 450185	83072	<i>FWD</i> 417537	8312S	<i>TIMKE</i> 8312	831900M1	<i>MASSE</i> 450095
83012	<i>FWD</i> 473229	83073	<i>FWD</i> 417542	8313	<i>HYST</i> 450118	831900M1	<i>MASSE</i> 473464
83013	<i>FWD</i> 6584S	83074	<i>FWD</i> 417082	8313	<i>HYST</i> 473449	831901M1	<i>MASSE</i> 415437
83015	<i>FWD</i> 417343	83076	<i>FWD</i> 417269	83130	<i>FWD</i> 450441	831902M1	<i>MASSE</i> 450121
830152	<i>SPICE</i> 6988H	83078	<i>FWD</i> 417211	83130	<i>FWD</i> 471341	831902M1	<i>MASSE</i> 472409
83015220	<i>UNIT</i> 412119	83079	<i>FWD</i> 417316	83131	<i>FWD</i> 417484N	83191	<i>FWD</i> 415137
83015220	<i>UNIT</i> 450101	83080	<i>FWD</i> 416556	83131	<i>FWD</i> 475322N	83191	<i>FWD</i> 418028
83016	<i>FWD</i> 415088	83080	<i>FWD</i> 472157	83132	<i>FWD</i> 413246	831916M1	<i>MASSE</i> 471424
83016	<i>FWD</i> 455088	83083	<i>FWD</i> 345035	83132	<i>FWD</i> 413246N	83192	<i>FWD</i> 417602
83017	<i>FWD</i> 415437	83084	<i>FWD</i> 417501	83136	<i>FWD</i> 415001	831926M1	<i>MASSE</i> 473010
830179	<i>GW</i> 474278	83086	<i>FWD</i> 415004	83137	<i>FWD</i> 455297	83193	<i>FWD</i> 415035
830179	<i>GW</i> 480356	83086	<i>FWD</i> 417316	83139	<i>FWD</i> 417158	83193	<i>FWD</i> 415953
83018	<i>FWD</i> 418028	83089	<i>FWD</i> 415058	83139	<i>FWD</i> 455355	83194	<i>FWD</i> 6663S
83018	<i>FWD</i> 455137	830918	<i>GW</i> 450117	83140	<i>FWD</i> 415272N	831942M1	<i>MASSE</i> 415458
830180	<i>GW</i> 412119	830918	<i>GW</i> 472572	83141R91	<i>IH</i> 472439	831942M1	<i>MASSE</i> 455003
830180	<i>GW</i> 450101	830948	<i>WHITE</i> 417352	83142	<i>FWD</i> 455471	83195	<i>FWD</i> 415146
830181	<i>GW</i> 411245	830948	<i>WHITE</i> 418028	831462M1	<i>MASSE</i> 415483	83195	<i>FWD</i> 415991
830181	<i>GW</i> 455096	83096	<i>FWD</i> 240319	831462M1	<i>MASSE</i> 455368	831959M1	<i>MASSE</i> 472258
830187	<i>GW</i> 411245	83097	<i>FWD</i> 417366	831468M1	<i>MASSE</i> 470351	83196	<i>FWD</i> 416664
830187	<i>GW</i> 455096	830980	<i>WHITE</i> 415991	831468M1	<i>MASSE</i> 471504	83199	<i>FWD</i> J1119
83022	<i>FWD</i> 415085	830980	<i>WHITE</i> 455146	83147	<i>FWD</i> 455509	83200	<i>FWD</i> 472636
83022	<i>FWD</i> 456648	830997	<i>WHITE</i> 55353	831483M1	<i>MASSE</i> 417158	832000M1	<i>MASSE</i> 471344
8302333	<i>SAAB</i> 416956	830998	<i>WHITE</i> 472144	8315	<i>NATL</i> 6815	83202	<i>FWD</i> J1117
83025	<i>FWD</i> 450444	83100	<i>FWD</i> 414268	83150	<i>FWD</i> 415960	83203	<i>FWD</i> 450519
83025	<i>FWD</i> 471835	83100	<i>FWD</i> 450539	83150	<i>FWD</i> 455009	83203	<i>FWD</i> 471271
83027	<i>FWD</i> 413469	831006	<i>GW</i> 416107	831522	<i>WHITE</i> 472560N	83206	<i>FWD</i> 415437
83029	<i>FWD</i> 473448	831006	<i>GW</i> 455073	831522	<i>WHITE</i> 50151S	83208	<i>FWD</i> 370086A
83030	<i>FWD</i> 415003	831007	<i>GW</i> 412473	831534	<i>WHITE</i> 474278	832117M1	<i>MASSE</i> 450067

INTERCHANGE SECTION

COMPETITIVE INTERCHANGES

Mfr No.	Mfr.	National	Mfr No.	Mfr.	National	Mfr No.	Mfr.	National	Mfr No.	Mfr.	National
832117M1	MASSE	473228	833302M1	MASSE	417433	83483403	WARNE	370023A	835967	WHITE	455003
832125M1	MASSE	470543	833303M1	MASSE	471195	834844M1	MASSE	471271	835968	WHITE	416921
832125M1	MASSE	474272	833342M1	MASSE	8521S	8348591	GMC	455195	835968	WHITE	455011
83213	FWD	416339	833355M1	MASSE	200763	8348591	GMC	472157	835969	WHITE	415379
83214	FWD	472492	833380M1	MASSE	471643	8349060	SAAB	710580	835969	WHITE	455379
83215	FWD	472070	833381M1	MASSE	471255	834952M1	MASSE	416865	8362	TIMKE	8362
832245M1	MASSE	470806	8333962	GMC	450066	83500199	JEEP	710204	836615	WHITE	415066
832246M1	MASSE	472658	8333962	GMC	473367	83500501	JEEP	223014	836647	GW	417262
832246M1	MASSE	473197	833415M1	MASSE	6590S	83501009	JEEP	5131	836647	GW	455448
832247M1	MASSE	471344	833482M1	MASSE	41461S	83501389	AMC	4370N	8367713	GMC	J1123
832332M1	MASSE	450519	8335	SUPER	411253	83501389	CHRY	4370N	8367714	GMC	415025
832332M1	MASSE	471271	8335	SUPER	450099	83501389	JEEP	4370N	8367715	GMC	416294
832335M1	MASSE	5857	833675M1	MASSE	416664	83501872	AMC	473135V	837003	WHITE	370003A
832398M1	MASSE	240319	833686M1	MASSE	416125	83502118	JEEP	710319	837003	WHITE	380003A
832416M1	MASSE	416273	833687M1	MASSE	473473	83502508	AMC	3946	837012	WHITE	417316
83249	HYST	40520S	833718M1	MASSE	472041	83502798	AMC	3946	837012	WHITE	455004
832521	GW	417488	833718M1	MASSE	473454	83502798	JEEP	3946	837017	WHITE	415001
832586M1	MASSE	470358	833776M1	MASSE	416271	83503010	CHRY	473212	8370S	TIMKE	8370S
832586M1	MASSE	473231	833776M2	MASSE	416271	83503063	AMC	9912	837200	WHITE	415991
832587M1	MASSE	55563	833777M1	MASSE	470954	83503063	CHRY	9912	837200	WHITE	415991N
832612M1	MASSE	416271	833800M1	MASSE	472164	83503063	JEEP	9912	837236	WHITE	415072
832623	GW	417509	833801M1	MASSE	410524	83503063	MOPAR	9912	837445	WHITE	471887
83270014	TROS	416239	833849M1	MASSE	450494	83503108	CHRY	1209	837470	WHITE	6612S
832731M1	MASSE	204035	833849M1	MASSE	472164	83503108	MOPAR	1209	837470A	WHITE	6612S
832791	WHITE	415449	833906	GW	450082	83503147	AMC	710046	837512	VIC	370178A
832791	WHITE	455147	833906	GW	473238	83503147	CHRY	710046	837512	WHITE	370178A
8328	FULLE	450489	833909M1	MASSE	252277	83503147	JEEP	710046	837512	WHITE	455200
8328	FULLE	473244	833910M1	MASSE	471643	83503234	JEEP	710164	837548	WHITE	450494
832830M1	MASSE	204013	833911M1	MASSE	471730	83503390	AMC	4434V	837548	WHITE	472164
832834M1	MASSE	471267	833912M1	MASSE	471267	83503390	CHRY	4434V	837556	WHITE	472082
832840M1	MASSE	340495	833918	WHITE	417352	83503390	JEEP	4434V	83758R91	IH	474278
832841M1	MASSE	416380	833918	WHITE	418028	83503504	AMC	710202	83758R91	IH	480356
832841M2	MASSE	416380	8339811	GW	455079	83503752	JEEP	223830	837596	WHITE	415371
832880M1	MASSE	471763	834045M1	MASSE	471391	83503752	MOPAR	223830	8376364	CHRY	417196
8329	HYST	470530	834052M1	MASSE	450067	83504048	JEEP	223840	837705	WHITE	416130
832954M1	MASSE	7790H	834052M1	MASSE	473228	83504055	JEEP	225005	837739	WHITE	410694
832954M2	MASSE	7790H	834055M2	MASSE	471684	83504708	JEEP	4370N	837952	GW	471466
832954M3	MASSE	7790H	834055M2	MASSE	471698	83504946	CHRY	470331N	8381138	GMC	415437
83300041	AMC	471652	834064M1	MASSE	415302	83504946	JEEP	470331N	8381139	GMC	J1124
83300041	AMC	482208	834069M1	MASSE	471870	83504946	MOPAR	470331N	83823	EATON	370038A
833067M	MASSE	450067	834069M1	MASSE	471883	83505052	CHRY	224462	8382454	GMC	455480
833067M	MASSE	473228	834092M1	MASSE	417484N	83505053	CHRY	710422	838355	WHITE	370065A
833105M1	MASSE	450067	834092M1	MASSE	455322	83505225	CHRY	710484	838355	WHITE	376590A
833105M1	MASSE	473228	834215M1	MASSE	471835	83505264	CHRY	710279	838355	WHITE	380065A
833136M1	MASSE	415458	834216M1	MASSE	470565	83505290	AMC	3946	8386386	CONTI	470189
833136M1	MASSE	455003	834262	WHITE	417352	83506045	JEEP	1981	8386386	CONTI	471692
833190M1	MASSE	472164	834262	WHITE	418028	83506045	MOPAR	1981	838860	GW	450121
833191M1	MASSE	471652	834301M1	MASSE	415263	83506295	AMC	7412S	838860	GW	472409
833191M1	MASSE	482208	834316M1	MASSE	450492	835062M1	MASSE	412943	838861	GW	450365
833230M1	MASSE	471554	834318M1	MASSE	473227	835171M1	MASSE	471391	838861	GW	470898
833237M1	MASSE	416921	834364M1	MASSE	470954	835274	WHITE	417546	839064	WHITE	471466
833237M1	MASSE	455011	834364M1	MASSE	480954	835614	WHITE	416345	839103	GW	455195
833239M1	MASSE	410737	83444R91	IH	450084	835614	WHITE	455033	839103	GW	472157
833239M1	MASSE	450737	834523M1	MASSE	416278	835615	WHITE	415066	839129	GMC	5419
833243	MASSE	416288	834556M1	MASSE	415281N	8356365	GMC	415991	839495	WHITE	6872S
833243M1	MASSE	416288	83458R91	IH	417316	8356365	GMC	415991N	839496	WHITE	JV701
833245M1	MASSE	415146	834711M1	MASSE	410102	835964	WHITE	411253	8395460	CONTI	471192
833245M1	MASSE	415991	834793M1	MASSE	415254	835964	WHITE	450099	839594	WHITE	6872S
8332959	GMC	471554	834800M1	MASSE	471341	835965	WHITE	415023	839784	WHITE	471570
833302M1	MASSE	415563	834831M1	MASSE	412119	835967	WHITE	415458	839809	GW	415234

INTERCHANGE SECTION

COMPETITIVE INTERCHANGES



Mfr No.	Mfr.	National	Mfr No.	Mfr.	National	Mfr No.	Mfr.	National	Mfr No.	Mfr.	National
839810	<i>GW</i>	415379	84074	<i>FITZ</i>	473448	84148	<i>MCCOR</i>	473464	84211	<i>FITZ</i>	450115
839810	<i>GW</i>	455379	84074	<i>MCCOR</i>	472439	84149	<i>MCCOR</i>	5778	84211	<i>FITZ</i>	473467
839811	<i>GW</i>	455079	84075	<i>MCCOR</i>	450085	84151	<i>FITZ</i>	473213	84212	<i>FITZ</i>	471869
839984	<i>WHITE</i>	370001A	84075	<i>MCCOR</i>	470530	84153	<i>MCCOR</i>	473450	84212	<i>FITZ</i>	473459
839984	<i>WHITE</i>	380001A	8407505	<i>EATON</i>	370064A	84154	<i>MCCOR</i>	5796	84212	<i>MCCOR</i>	450365
83BG3K169B5A	<i>FORD</i>	224250	840750500	<i>EATON</i>	370064A	84157	<i>MCCOR</i>	5756	84212	<i>MCCOR</i>	470898
83BG4676A1C	<i>FORD</i>	712011	840754800	<i>EATON</i>	370077A	84159	<i>FITZ</i>	450083	842125M1	<i>MASSE</i>	415281N
83BM6701A3A	<i>FORD</i>	3393	840776000	<i>EATON</i>	370094A	84159	<i>FITZ</i>	472924	84212S	<i>FITZ</i>	471869
83BM6701A4A	<i>FORD</i>	3393	84078	<i>FITZ</i>	450065	84159	<i>MCCOR</i>	410190	84212S	<i>FITZ</i>	473459
83HM6700AA	<i>FORD</i>	3774	840787	<i>GW</i>	418028	84162	<i>MCCOR</i>	40973S	84213	<i>FITZ</i>	5778
83HM6700A1A	<i>FORD</i>	473560N	840787	<i>GW</i>	455137	84164	<i>FITZ</i>	450111	84213	<i>MCCOR</i>	450070
83SM6701A6A	<i>FORD</i>	3772	84080	<i>MCCOR</i>	50081	84164	<i>MCCOR</i>	470898	84213	<i>MCCOR</i>	472185
840009	<i>SPICE</i>	471795	84085	<i>MCCOR</i>	470077	84165	<i>MCCOR</i>	6064	84214	<i>FITZ</i>	450067
84001	<i>MCCOR</i>	481864	84085	<i>MCCOR</i>	474281	84166	<i>FITZ</i>	472394	84214	<i>FITZ</i>	473228
840021100	<i>EATON</i>	6879H	840865	<i>GW</i>	450083	84166	<i>MCCOR</i>	473441	84214	<i>MCCOR</i>	470682
840021200	<i>EATON</i>	410308	840865	<i>GW</i>	472924	84167	<i>FITZ</i>	450593	842148M2	<i>MASSE</i>	415013N
840021200	<i>EATON</i>	473468	84097	<i>MCCOR</i>	470086	84172	<i>FITZ</i>	450078	842148M2	<i>MASSE</i>	415995V
840030	<i>SPICE</i>	473517	84098	<i>MCCOR</i>	450111	84172	<i>FITZ</i>	473444	842149M2	<i>MASSE</i>	415272N
840030	<i>VIC</i>	473517	840RC	<i>SUL</i>	415937	84172	<i>MCCOR</i>	5836	84215	<i>FITZ</i>	410312N
8400544	<i>EATON</i>	470308N	84102	<i>FITZ</i>	471750	841722	<i>WHITE</i>	415551	84218	<i>MCCOR</i>	473471
840054400	<i>EATON</i>	470308N	84103	<i>FITZ</i>	411253	84174	<i>FITZ</i>	5727	842189	<i>GW</i>	473445
84006	<i>MCCOR</i>	5070	84103	<i>FITZ</i>	450099	84176	<i>FITZ</i>	450078	84219	<i>MCCOR</i>	200354
840062	<i>TW-CO</i>	471549	84104	<i>FITZ</i>	470077	84176	<i>FITZ</i>	473444	842193	<i>GW</i>	455406
84011	<i>MCCOR</i>	471869	84104	<i>FITZ</i>	474281	84176	<i>MCCOR</i>	473179	8421S	<i>TIMKE</i>	8421S
84011	<i>MCCOR</i>	473459	84105	<i>FITZ</i>	470059	84177	<i>MCCOR</i>	450274	84220	<i>FITZ</i>	472826
84016	<i>MCCOR</i>	473473	84105	<i>FITZ</i>	470380	84180	<i>MCCOR</i>	40370S	84220	<i>MCCOR</i>	450082
84018	<i>FITZ</i>	5070	841058100	<i>EATON</i>	470565	84181	<i>MCCOR</i>	40286	84220	<i>MCCOR</i>	473238
84021	<i>MCCOR</i>	473446	841058300	<i>EATON</i>	470565	84185	<i>FITZ</i>	473441	84222	<i>MCCOR</i>	5877
84023	<i>MCCOR</i>	450073	84112	<i>MCCOR</i>	413469	84186	<i>MCCOR</i>	5M289	84223	<i>FITZ</i>	415007
84029	<i>FITZ</i>	473450	841125	<i>WHITE</i>	415138	84188	<i>MCCOR</i>	411500	84224	<i>MCCOR</i>	450083
84030	<i>MCCOR</i>	450076	84114	<i>FITZ</i>	450095	84189	<i>FITZ</i>	450089	84224	<i>MCCOR</i>	472924
84030	<i>MCCOR</i>	470334	84114	<i>FITZ</i>	473464	84191	<i>FITZ</i>	472234	84226	<i>MCCOR</i>	416738
84031	<i>FITZ</i>	416738	84115	<i>MCCOR</i>	5M293	84191	<i>MCCOR</i>	473460	84226	<i>MCCOR</i>	450096
84031	<i>FITZ</i>	450096	84118	<i>MCCOR</i>	470074	84195	<i>MCCOR</i>	5MR71	84227	<i>MCCOR</i>	450121
84032	<i>FITZ</i>	470045	84118	<i>MCCOR</i>	474265	84197	<i>FITZ</i>	472287	84227	<i>MCCOR</i>	472409
84032	<i>FITZ</i>	476838	84119	<i>MCCOR</i>	5M89	84198	<i>MCCOR</i>	412119	84230	<i>FITZ</i>	415458
84032	<i>MCCOR</i>	450084	84124	<i>MCCOR</i>	450078	84198	<i>MCCOR</i>	450101	84230	<i>FITZ</i>	455003
84033	<i>MCCOR</i>	471141	84124	<i>MCCOR</i>	473444	84199	<i>FITZ</i>	470062	842309M1	<i>MASSE</i>	475009N
840344900	<i>EATON</i>	415371	84125	<i>MCCOR</i>	450115	84199	<i>FITZ</i>	474264	84232	<i>MCCOR</i>	473473
84035	<i>FITZ</i>	455008	84125	<i>MCCOR</i>	473467	84199	<i>MCCOR</i>	5827	842322M1	<i>MASSE</i>	473231
84036	<i>FITZ</i>	450066	84126	<i>FITZ</i>	450066	84200	<i>FITZ</i>	450085	84233	<i>MCCOR</i>	450365
84036	<i>FITZ</i>	473367	84126	<i>FITZ</i>	473367	84200	<i>FITZ</i>	470530	84233	<i>MCCOR</i>	470898
84037	<i>MCCOR</i>	6090S	84127	<i>FITZ</i>	481864	84200	<i>MCCOR</i>	473447	84236	<i>FITZ</i>	415449
8403S	<i>NATL</i>	473228	84128	<i>MCCOR</i>	473458	842017	<i>MASSE</i>	417344	84236	<i>FITZ</i>	455147
8403S	<i>NATL</i>	51098	84129	<i>MCCOR</i>	472234	842017M1	<i>MASSE</i>	417344	84237	<i>FITZ</i>	5751
84044	<i>FITZ</i>	450084	84130	<i>MCCOR</i>	473245	84204	<i>FITZ</i>	450143	84238	<i>MCCOR</i>	450183
840500	<i>WHITE</i>	8635S	84131	<i>MCCOR</i>	473450	842048	<i>WHITE</i>	417507	84238	<i>MCCOR</i>	472179
84052	<i>MCCOR</i>	471862	84134	<i>FITZ</i>	414045	842048	<i>WHITE</i>	455513	84241	<i>FITZ</i>	415254
84060	<i>FITZ</i>	471354	84136	<i>FITZ</i>	471570	84205	<i>FITZ</i>	450066	84243	<i>MCCOR</i>	5924
84062	<i>FITZ</i>	473446	841369	<i>WHITE</i>	416229	84205	<i>FITZ</i>	473367	84244	<i>FITZ</i>	417073
840630900	<i>EATON</i>	416294	84137	<i>FITZ</i>	450076	84205	<i>MCCOR</i>	480491	84246	<i>FITZ</i>	473215
84064	<i>MCCOR</i>	6186	84137	<i>FITZ</i>	470334	84207	<i>MCCOR</i>	6064	84246	<i>MCCOR</i>	410737
84067	<i>MCCOR</i>	410308	84139	<i>FITZ</i>	470074	84208	<i>MCCOR</i>	5865	84246	<i>MCCOR</i>	450737
840689800	<i>EATON</i>	370063A	84139	<i>FITZ</i>	474265	8420818	<i>VOLVO</i>	223005	84247	<i>FITZ</i>	450115
840691	<i>GW</i>	415991	84140	<i>MCCOR</i>	5727	84209	<i>MCCOR</i>	416738	84247	<i>FITZ</i>	473467
840691	<i>GW</i>	455146	84142	<i>FITZ</i>	450666	84209	<i>MCCOR</i>	450096	84247	<i>MCCOR</i>	415147
840692	<i>GW</i>	480491	84145	<i>MCCOR</i>	411253	84209S	<i>MCCOR</i>	416738	84247	<i>MCCOR</i>	415449
84070	<i>MCCOR</i>	414045	84145	<i>MCCOR</i>	450099	84209S	<i>MCCOR</i>	450096	84247S	<i>FITZ</i>	472015
84072	<i>MCCOR</i>	5M403	84147	<i>FITZ</i>	412943	84210	<i>MCCOR</i>	412920	84248	<i>FITZ</i>	473450
84073	<i>MCCOR</i>	5M81	84148	<i>MCCOR</i>	450095	84210	<i>MCCOR</i>	450132	84249	<i>FITZ</i>	473245

INTERCHANGE SECTION

COMPETITIVE INTERCHANGES

Mfr No.	Mfr.	National	Mfr No.	Mfr.	National	Mfr No.	Mfr.	National	Mfr No.	Mfr.	National
84249	MCCOR	450307	84286	MCCOR	455147	84333	MCCOR	450273	84384	MCCOR	450776
84250	FITZ	450043	84286S	MCCOR	415449	84335	FITZ	412119	843844M1	MASSE	471271
84250	FITZ	473419	84286S	MCCOR	455147	84335	FITZ	450101	84385	MCCOR	412920
84250	MCCOR	410987	84289	FITZ	471820	84335	MCCOR	472144	84388	FITZ	450365
84250	MCCOR	450103	842900M1	MASSE	8126S	84336	FITZ	415034	84388	FITZ	470898
84251	FITZ	450030	84292	FITZ	471571	84336	FITZ	455034	84388	MCCOR	470605
84251	FITZ	474253	84295	FITZ	240023	84336	MCCOR	450301	84389	FITZ	450094
84253	FITZ	473458	84297	FITZ	5778	84336	MCCOR	472397	84389	FITZ	473462
84254	MCCOR	450316	84297	MCCOR	203034	84337	FITZ	450291	84389	MCCOR	413247
84254	MCCOR	472636	84298	MCCOR	471316	84337	FITZ	471141	84389	MCCOR	450350
84254S	MCCOR	450316	84299	FITZ	470169	84337	MCCOR	472015	843893M1	MASSE	472015
84254S	MCCOR	472636	84299	FITZ	473214	843377M1	MASSE	471831	8438LPD	JN-MN	417500
84256	FITZ	470120	8429S	TIMKE	8429S	84338	MCCOR	473475	84390	FITZ	410987
84256	FITZ	471224	842A7	WHITE	5796	84339	MCCOR	450326	84390	FITZ	450103
84257	MCCOR	410312N	84301	MCCOR	410708	84340	FITZ	473179	84390	MCCOR	473448
842579M1	MASSE	472164	84302	MCCOR	472185	84340	MCCOR	412871	843908	WHITE	240735
84257S	MCCOR	410312N	84303	FITZ	473440	84340	MCCOR	450329	84391	MCCOR	450446
84258	FITZ	473460	84303	MCCOR	410085	843413M1	MASSE	472029	84392	MCCOR	450463
84258	MCCOR	472394	84303	MCCOR	470530	84342	MCCOR	451948	84394	FITZ	450082
84259	MCCOR	472394	84304	FITZ	472439	84343	FITZ	5827	84394	FITZ	473238
84260	MCCOR	6064	84305	MCCOR	472179	84344	FITZ	455336	84395	FITZ	5877
84261	FITZ	410190	84306	MCCOR	473235	84344	MCCOR	471424	84395	MCCOR	450094
842610M1	MASSE	472636	84308	FITZ	413469	84345	FITZ	455249	84395	MCCOR	473462
84262	MCCOR	450467	84308	MCCOR	472636	84346	MCCOR	450441	84396	FITZ	410190
84263	FITZ	471820	8430S	TIMKE	8430S	84346	MCCOR	471341	84396	MCCOR	440265
84263	MCCOR	411253	84310	MCCOR	415147	84347	MCCOR	472319	84397	FITZ	200354
84264	FITZ	40769S	84310	MCCOR	415449	84348	MCCOR	450456	84398	FITZ	5872S
842642	WHITE	240733	84311	MCCOR	473460	843485M1	MASSE	352541	84399	MCCOR	6336S
84266	MCCOR	473457	84313	MCCOR	410183N	84351	MCCOR	450474	844001176	IH	416404
84267	MCCOR	450307	84317	FITZ	473450	84353	MCCOR	410496	844001177	IH	417351
84269	MCCOR	411330N	84317F	DIA	6597S	84355	MCCOR	450516	844001177	IH	455154
842692	WHITE	471787	84318	FITZ	470354	84356	FITZ	5836	844001180	IH	472924
84270	MCCOR	410085	84319	MCCOR	450069	84356	MCCOR	410520	844001181	IH	415871
84270	MCCOR	470530	84319	MCCOR	473232	84356	MCCOR	471272	844001183	IH	417546
84273	MCCOR	415483	8431LPD	JN-MN	417298	843565	WHITE	471442	84402	FITZ	6936S
84273	MCCOR	455368	8431LUP	JN-MN	417298	84357	MCCOR	471887	84402S	FITZ	6936S
842739M1	MASSE	340853	84320	FITZ	450188	84358	MCCOR	450533	84403	FITZ	415041
84274	MCCOR	40566S	84320	MCCOR	473313	84359	MCCOR	411376	84404	FITZ	340724
84277	MCCOR	410308	84321	FITZ	474278	84359	MCCOR	455093	84404	MCCOR	6460S
84277	MCCOR	450308	84321	FITZ	480356	8436	C-R	473414	84408	FITZ	8160S
84277S	MCCOR	410308	84321	MCCOR	470088	8436	SKF	473414	84408	MCCOR	450068
84277S	MCCOR	450308	84322	FITZ	473447	84360	MCCOR	415302	84408S	FITZ	8160S
84278	MCCOR	450291	84323	MCCOR	412943	84361	FITZ	6064	84409	FITZ	470898
84278	MCCOR	471141	84324	FITZ	455280	84363	FITZ	473228	84409	MCCOR	472070
84279	FITZ	450066	84324	MCCOR	410694	84364	FITZ	40370S	84410	MCCOR	450285
84279	FITZ	473367	84324S	MCCOR	410694	843661M1	MASSE	330663	84411	FITZ	470548
84279	MCCOR	450415	84325	MCCOR	410102	843661M1	MASSE	472354	84411	FITZ	470625
84281	FITZ	450073	84326	MCCOR	450117	84367	FITZ	5070	84412	MCCOR	450311
84281	MCCOR	493291	84326	MCCOR	472572	843671M1	MASSE	416664	84414	MCCOR	450389
84282	FITZ	415960	84327	MCCOR	450118	8436LUP	JN-MN	476281	84414	MCCOR	472492
84282	FITZ	455009	84327	MCCOR	473449	84372	FITZ	411500	84415	FITZ	415072
842824M1	MASSE	471224	84328	FITZ	450154	84374	FITZ	6064	84415	MCCOR	472658
84283	FITZ	415001	84328	FITZ	473234	84375	FITZ	40286	84415	MCCOR	473197
84283	FITZ	455001	84328	MCCOR	473463	84376	FITZ	450274	844159	HESST	471391
84284	FITZ	5756	84329	MCCOR	473236	843788M1	MASSE	471192	84416	MCCOR	50528
84284	MCCOR	410316	84330	FITZ	472560N	843789M1	MASSE	473517	84419	FITZ	470950
84284	MCCOR	472636	84330	FITZ	50151S	8437LPD	JN-MN	455022	84419	FITZ	6241S
84285	FITZ	473473	843301	WHITE	471413	8437LUP	JN-MN	455022	84420	MCCOR	450776
84286	FITZ	5796	84331	MCCOR	473235	84382	FITZ	5827	84421	MCCOR	416271
84286	MCCOR	415449	843326M1	MASSE	471192	84382	MCCOR	6283S	84422	FITZ	471255

INTERCHANGE SECTION

COMPETITIVE INTERCHANGES



Mfr No.	Mfr. National	Mfr No.	Mfr. National	Mfr No.	Mfr. National	Mfr No.	Mfr. National
84422	MCCOR 416664	84478	FITZ 415449	84514	FITZ 6358	84556	MCCOR 415147
84422	MCCOR 455364	84478	MCCOR 410519	845161	WHITE 417158	84556	MCCOR 415449
84423	FITZ 411253	84478	MCCOR 471271	845161	WHITE 455355	84556S	FITZ 410059
84423	FITZ 450099	84479	FITZ 415960	84517	MCCOR 5MR1008	84556S	FITZ 470380
8442SS	JN-MN 471649	84481	MCCOR 6988H	84519	FITZ 40769S	84557	MCCOR 415147
84431	FITZ 5070	84481H	MCCOR 6988H	84519	MCCOR 410085	84557	MCCOR 415449
84431	MCCOR 471271	84483	FITZ 410085	84519	MCCOR 470530	84558	MCCOR 473215
84432	FITZ 470606	84483	FITZ 470530	84523	MCCOR 473442	84562	MCCOR 451078
84434	MCCOR 410520	84483	MCCOR 415449	84524	FITZ 475380N	84565	FITZ 240151
84434	MCCOR 471272	84484	FITZ 472394	84526	MCCOR 413479	84565	MCCOR 7600S
84435	MCCOR 413246	84484	MCCOR 411376	84527	FITZ 40576S	84567	FITZ 6863S
84435	MCCOR 413246N	84485	FITZ 474276	84527	MCCOR 412119	84567	MCCOR 6818
84437	FITZ 5924	84485	MCCOR 470565	845274	WHITE 471570	84569	MCCOR 6879H
84437	MCCOR 471316	84486	FITZ 473227	845275	WHITE 417181	8457	FULLE 417352
84438	MCCOR 470806	84486	MCCOR 416271	845276	WHITE 450183	8457	FULLE 418028
84438S	MCCOR 470806	84487	FITZ 411330N	845276	WHITE 472179	84572	MCCOR 410708
8443LPD	JN-MN 472319	84487	MCCOR 450803	84528	FITZ 450185	84573	FITZ 470163
8443LUP	JN-MN 472319	84488	FITZ 416654	84528	FITZ 473229	84573	FITZ 471766
84441	FITZ 450365	84488	FITZ 455012	84529	FITZ 6270	84573	MCCOR 450269
84441	FITZ 470898	84489	FITZ 415483	84530	FITZ 5401	84574	FITZ 456618
84446	MCCOR 450143	84489	FITZ 455368	84530	MCCOR 450911N	84574	MCCOR 415449
844464	HESST 416071	84490	MCCOR 450765	84530K	FITZ 5401	84575	FITZ 415371
84447	FITZ 471192	84491	FITZ 410308	84532	MCCOR 6636S	84576	FITZ 416865
84448	MCCOR 200600	84491	FITZ 450308	84533	FITZ 493291	84576	FITZ 455070
84452	FITZ 470027	84492	FITZ 450307	84533	MCCOR 410708	84577	MCCOR 6808N
84452	FITZ 471554	84492	MCCOR 470712	84534	FITZ 450335	84578	FITZ 410737
84452	MCCOR 473440	84493	FITZ 450291	84534	MCCOR 6712NA	84578	MCCOR 473234
84453	FITZ 471192	84493	FITZ 471141	84535	FITZ 455151	84580	FITZ 471862
84454	MCCOR 410737	84495	MCCOR 450313	84536	FITZ 42763	84581	MCCOR 8650S
84456	FITZ 473435	84497	FITZ 353141	84536	MCCOR 473016	84582	MCCOR 416271
84456	MCCOR 472439	844974	WHITE 417171	84537	MCCOR 472150	84583	FITZ 412473
84457	FITZ 415001	84498	MCCOR 411394	84538	FITZ 450776	84583	FITZ 415894
84457	FITZ 455001	84498	MCCOR 450317	84538	MCCOR 450984	84583	MCCOR 330663
84458	MCCOR 472015	84499	FITZ 6064	84539	FITZ 450776	84583	MCCOR 472354
84459	MCCOR 473241	84499	MCCOR 473461	84539	MCCOR 416271	84584	FITZ 410737
84463	FITZ 41787S	8449SS	JN-MN 470950	84541	MCCOR 472164	84584	FITZ 450737
84465	MCCOR 472015	8449SS	JN-MN 6241S	84542	FITZ 417516	84584	MCCOR 6590S
84468	FITZ 471689	844RC	SUL 473238	84543	FITZ 472439	84585	FITZ 417344
84468	MCCOR 450867	84500	FITZ 415995	84544	MCCOR 470764	84585	FITZ 455006
84468	MCCOR 470898	84500	FITZ 455013	84545	FITZ 417316	84586	FITZ 330385
84469	FITZ 40395	84500	MCCOR 200640	84545	MCCOR 6785	84587	MCCOR 412040
84469	FITZ 40395S	84501	MCCOR 450298	84546	FITZ 415697	84589	FITZ 473474
84470	FITZ 450400	84501	MCCOR 473239	84546	FITZ 455547	84590	FITZ 470351
84470	MCCOR 473238	84501S	FITZ 6241S	84546	MCCOR 416271	84590	FITZ 471504
84471	MCCOR 471391	84502	FITZ 40566S	84547	FITZ 3210	84590S	FITZ 470351
84472	MCCOR 471870	84503	FITZ 2081	84547	MCCOR 470308N	84590S	FITZ 471504
84472	MCCOR 471883	84503	MCCOR 450472	84548	MCCOR 205004	84592	MCCOR 450104
84473	FITZ 475012N	8450413	GMC 470682	84549	MCCOR 6626S	84593	MCCOR 450133
84473	MCCOR 472492	845045	WHITE 415302	84549K	FITZ 5403	84594	MCCOR 474274
84474	FITZ 410312N	84506	MCCOR 473474	84550	FITZ 471316	84595	FITZ 470062
84474	MCCOR 472287	84508	FITZ 450444	84551	FITZ 472439	84595	FITZ 474264
84475	FITZ 415001	84508	FITZ 471835	84552	MCCOR 6781	84595	MCCOR 450519
84475	MCCOR 39302	84508	MCCOR 6163S	84553	FITZ 455195	84595	MCCOR 471271
84475S	MCCOR 39302	84509	FITZ 440265	84553	FITZ 472157	84596	FITZ 6638S
84476	FITZ 450467	84509	MCCOR 210945	84553	MCCOR 470565	84599	FITZ 350679
84476	MCCOR 471763	84510	MCCOR 472924	84554	FITZ 473235	84599	FITZ 470954
84477	FITZ 410316	84511	FITZ 417316	84555	MCCOR 410085	846	MERIX 370037A
84477	FITZ 472636	84511	MCCOR 410987	84555	MCCOR 470530	846	MERIX 370338A
84477	MCCOR 471689	84512	MCCOR 473234	84556	FITZ 410059	846	ROCKW 370037A
84478	FITZ 415147	84513	FITZ 6186	84556	FITZ 470380	846	ROCKW 370338A

INTERCHANGE SECTION

COMPETITIVE INTERCHANGES

Mfr No.	Mfr.	National	Mfr No.	Mfr.	National	Mfr No.	Mfr.	National	Mfr No.	Mfr.	National
84600	MCCOR	450412	84631	MCCOR	451143	84665S	FITZ	471267	84695S	FITZ	9613S
84602	FITZ	351267	84632	FITZ	471442	84666	FITZ	480630	84696	FITZ	470064
84602	FITZ	471267	84633	FITZ	471466	84667	FITZ	416921	84696	FITZ	471821
84602	MCCOR	5589	84633	MCCOR	472397	84667	FITZ	455011	84698	MCCOR	5589
84603	FITZ	450117	84634	FITZ	410694	84668	FITZ	410987	84699	FITZ	481073
84603	FITZ	472572	84635	FITZ	473228	84668	MCCOR	7457N	84699	MCCOR	7937N
84604	MCCOR	6960	84635	FITZ	51098	84669	MCCOR	442380	846D6	WHITE	415697
84605	FITZ	340151	84635	MCCOR	473466	84670	FITZ	417316	846D6	WHITE	455547
84605	MCCOR	40316S	84636	FITZ	450121	84670	FITZ	455004	847	EATON	370001A
84606	FITZ	240356	84636	FITZ	472409	84670	MCCOR	471341	847	EATON	380001A
84606	MCCOR	6985	84636	MCCOR	471138	84671	FITZ	416288	84700	FITZ	450183
84607	FITZ	415284	84638	FITZ	6200	84672	MCCOR	413246N	84700	FITZ	472179
84607	MCCOR	41075S	84639	MCCOR	50266	846724	GWJ	470548	84700	MCCOR	470898
84608	FITZ	6635S	8463LPD	JN-MN	470027	846724	GWJ	470625	84701	MCCOR	450519
84609	MCCOR	41404S	8463LPD	JN-MN	471554	84673	FITZ	415058	84701	MCCOR	471271
8460N	TIMKE	8460N	8463LUP	JN-MN	470027	84673	MCCOR	3095	84702	FITZ	6370N
84610	FITZ	340797	8463LUP	JN-MN	471554	84674	FITZ	417351	84702	MCCOR	7751H
84610	MCCOR	410496	84640	FITZ	410183N	84674	FITZ	455154	84703	MCCOR	410312N
84611	FITZ	340413	84641	FITZ	450070	84674	MCCOR	5113	84704	MCCOR	8243
84611	MCCOR	410496	84641	FITZ	472185	84675	FITZ	416011	84705	MCCOR	8610
84612	FITZ	350936	84641	MCCOR	473464	84675	FITZ	417621	84706	FITZ	40973S
84612	MCCOR	470334	84642	FITZ	483054N	84675	MCCOR	5573	84706	MCCOR	331227H
84613	FITZ	416130	84643	FITZ	450069	84676	MCCOR	8516N	84708	MCCOR	8181NA
84613	MCCOR	473179	84643	FITZ	473232	846765	WHITE	JV701	84709	MCCOR	9015S
84614	FITZ	415043	84643	MCCOR	415147	84676S	FITZ	471344	8470LPD	JN-MN	417484N
84614	MCCOR	44053	84643	MCCOR	415449	84677	FITZ	471571	8470LPD	JN-MN	455322
84615	FITZ	417267	84644	FITZ	471765	84677	MCCOR	9150S	8470LUP	JN-MN	417484N
84615	MCCOR	455434	84644	MCCOR	451469	84678	FITZ	415991	8470LUP	JN-MN	455322
84616	FITZ	455024	84645	FITZ	410102	84678	FITZ	455146	84710	MCCOR	7044NA
84616	MCCOR	6954S	84645	MCCOR	472185	84678	MCCOR	205044	84711	CATER	471554
84617	FITZ	455151	84646	MCCOR	473232	84679	FITZ	416271	84713	MCCOR	6960
84617	MCCOR	44052	84646K	FITZ	5408	84680	FITZ	411376	84714	FITZ	412871
84618	FITZ	455037	84647	MCCOR	410987	84680	FITZ	455093	84714	FITZ	450329
84618	MCCOR	410737	84647	MCCOR	450686	84680	MCCOR	205015	84714	MCCOR	472082
84618S	FITZ	455037	84648	MCCOR	413246N	84681	FITZ	370022A	84715	FITZ	417355
84619	FITZ	370036A	84648	MCCOR	483246N	84681	MCCOR	450639	84715	FITZ	485497
84619	MCCOR	470487N	84649	MCCOR	7381S	84682	FITZ	416070	84715	MCCOR	332062
8461LPD	JN-MN	470088	8464LPD	JN-MN	471570	84683	FITZ	416664	84715S	FITZ	417355
8461LUP	JN-MN	470088	8464LUP	JN-MN	471570	84683	FITZ	455364	84715S	FITZ	485497
84620	FITZ	473232	84650	MCCOR	473243	84683	MCCOR	413248	84716S	FITZ	451147H
84621	FITZ	470548	84651	MCCOR	331107N	84684	FITZ	415991	84717	FITZ	474255
84621	FITZ	470625	84651H	MCCOR	331107N	84684	FITZ	455146	84717	MCCOR	39302
84621	MCCOR	473228	84651N	MCCOR	331107N	84684	MCCOR	340900	84718	FITZ	470712
84621	MCCOR	51098	84652	FITZ	6636S	84685S	FITZ	417506	84718	MCCOR	8610
84622	FITZ	471750	84653	MCCOR	415302	84686	FITZ	417507	84719	FITZ	473227
84622	MCCOR	3103	84654	FITZ	415138	84686	FITZ	455513	84719	MCCOR	8594S
84623	FITZ	453165	84655	FITZ	415060	84686	MCCOR	471341	84721	MCCOR	470487N
84623	FITZ	471619	84656	FITZ	415351	84687	FITZ	450482	84722	FITZ	472144
84624	FITZ	450025	84656	MCCOR	45827S	84688	FITZ	417484N	84722	MCCOR	6712NA
84624	FITZ	471553	84657	FITZ	450666	84688	FITZ	455322	84723	MCCOR	472082
84624	MCCOR	5126	84658	FITZ	455251H	84688	MCCOR	331301N	84724	FITZ	370002A
84625	MCCOR	7216	84658	MCCOR	470331N	84689	FITZ	410308	84727	FITZ	412920
846256	WHITE	471870	8465LPD	JN-MN	470590	8468LUP	JN-MN	410708	84727	FITZ	450132
846256	WHITE	471883	8465LUP	JN-MN	470590	84690	FITZ	200600	84728	FITZ	415035
846275	WHITE	100495	84660	FITZ	470543	84690	MCCOR	5113	84728	FITZ	455035
846275	WHITE	415281N	84660	FITZ	474272	84691	FITZ	471646	84731	FITZ	240009
84628	MCCOR	203006	84663	FITZ	473473	84691	MCCOR	7581H	84734	FITZ	470605
8462LPD	JN-MN	410312N	84664S	FITZ	450867	84692	FITZ	471801	84735	FITZ	417223
8462LUP	JN-MN	410312N	84664S	FITZ	470898	84693	FITZ	471567	84736	FITZ	473426
84630	MCCOR	7044NA	84665	FITZ	471267	84694	MCCOR	2692	84737	FITZ	416125

INTERCHANGE SECTION

COMPETITIVE INTERCHANGES



Mfr No.	Mfr. National	Mfr No.	Mfr. National	Mfr No.	Mfr. National	Mfr No.	Mfr. National
84738	FITZ 416888	847899	GWI 473444	84846	FITZ 415711	84923	FITZ 44053
84738	FITZ 455200	8478LPD	JN-MN 415284	84847	FITZ 415394	84924	FITZ 6954S
84739	FITZ 415836	8478LUP	JN-MN 415284	84849	FITZ 455134	84925S	FITZ 473231
84739	FITZ 415995	84790	FITZ 470358	8485	C-R 473415	84927	FITZ 3103
84740	FITZ 413247	84790	FITZ 473231	8485	SKF 473415	84927S	FITZ 7581H
84740	FITZ 450350	84791	FITZ 471413	84850	FITZ 417537	84928S	FITZ 471195
847407	GWI 415304	84792	FITZ 415187	84851	FITZ 415350	84928S	FITZ 481195
847407	GWI 476470	84793	FITZ 416339	84852	FITZ 417344	84929S	FITZ 5072
84741	FITZ 55030	84793	FITZ 455031	84853	FITZ 415064	8493052	GMC 415984
84742	FITZ 416345	84794	FITZ 416047	84856	FITZ 473234	84932	FITZ 5126
84742	FITZ 455033	84794	FITZ 416332	8485LPD	JN-MN 470219	84933	FITZ 7216
84743	FITZ 415027	84795	FITZ 415991	8485LPD	JN-MN 471649	84935S	FITZ 321460
84743	FITZ 455027	84795	FITZ 415991N	8485LUP	JN-MN 470219	84936S	FITZ 203006
84745	FITZ 473016	84796	FITZ 471472	8485LUP	JN-MN 471649	84938	FITZ 7044NA
84746	FITZ 240119	84797	FITZ 471787	84860	FITZ 6818	84939	AM WH 470059
84747	FITZ 410520	84798	FITZ 416229	84862	FITZ 6815	84939	AM WH 470380
84747	FITZ 471272	847RC	SUL 411253	848629	WHITE 416011	84939S	FITZ 5092
84748	FITZ 417481	847RC	SUL 450099	848629	WHITE 417621	8493LPD	JN-MN 471138
84750	FITZ 40140S	848	EATON 370024A	84863	FITZ 471795	84940S	FITZ 413246
84751	FITZ 410085	84803	FITZ 450269	84864	FITZ 6840S	84940S	FITZ 413246N
84751	FITZ 470530	84804	FITZ 471526	84865	FITZ 6985	84941S	FITZ 3095
84752	FITZ 45013S	84805	FITZ 6545	84871	FITZ 415960	84942	FITZ 410708
84753	FITZ 417343	84807	FITZ 350364	84871	FITZ 455009	84945S	FITZ 7486S
84754	FITZ 470219	84808S	FITZ 471103	84873S	FITZ 6712NA	8494LPD	JN-MN 471138
84754	FITZ 471649	84808S	FITZ 50197S	84877S	FITZ 416271	8494LUP	JN-MN 471138
84755	FITZ 450118	84809	FITZ 450273	84878S	FITZ 451078	84950	FITZ 451182
84755	FITZ 473449	84810S	FITZ 6626S	84879	FITZ 470308N	849502	WHITE 417171
84756	FITZ 240319	84811	FITZ 472150	84881	FITZ 473463	84958	FITZ 410708
84758	FITZ 45031S	84813	FITZ 471763	84882K	FITZ 5458	8495LPD	JN-MN 415254
84759	FITZ 415036	84814	FITZ 417205	848841	WHITE 470027	8495LUP	JN-MN 415254
84761S	FITZ 416271	84815S	FITZ 416297	848841	WHITE 471554	8496	C-R 482069N
84762	FITZ 450039	84816	FITZ 450316	84885S	FITZ 470403	8496	SKF 482069N
84763	FITZ 471760	84816	FITZ 472636	84885S	FITZ 470774	84968	FITZ 205044
84764	FITZ 323138	84817	FITZ 472164	84887S	FITZ 6241S	8496LPD	JN-MN 410496
84765	FITZ 450194	848178	WHITE 480630	84888S	FITZ 7600S	8496LUP	JN-MN 410496
84765	FITZ 473010	84819	FITZ 473228	848890	WHITE 470045	84972S	FITZ 7581H
84767	FITZ 417356	84820S	FITZ 412473	848890	WHITE 476838	84974S	FITZ 2692
84767	FITZ 455188	84820S	FITZ 415894	84889S	FITZ 8160S	84975	FITZ 2692
84768	FITZ 5578	848214	WHITE 412943	84890S	FITZ 6879H	84975S	FITZ 2692
84769	FITZ 471231	848225	WHITE 417596	84891	FITZ 3103	84976S	FITZ 474260
84770	FITZ 481644	84826S	FITZ 240470	84892	FITZ 415442	84979S	FITZ 330663
84773	FITZ 473234	84827S	FITZ 6760S	84894	FITZ 417350	84979S	FITZ 472354
84776	FITZ 455018	84828S	FITZ 6597S	84894	FITZ 455479	8497LPD	JN-MN 455655
84776	FITZ 476470	84829S	FITZ 240736	84895	FITZ 6864S	8497LUP	JN-MN 455655
84777	FITZ 340771	84833	CATER J1128	84896	FITZ 6785	84980	FITZ 7934S
84778	FITZ 415281N	84834	FITZ 417485	84897	FITZ 6930	84982S	FITZ 331301N
84779	FITZ 471785	84835S	FITZ 410085	84898	FITZ 9568	84985	FITZ 455189
847799	WHITE 415458	84835S	FITZ 470530	848984	WHITE 417563	84986S	FITZ 470064
847799	WHITE 455003	84836	FITZ 6781	84899	FITZ 6985	84986S	FITZ 471821
8477S	TIMKE 8477S	84837S	FITZ 415147	849	EATON 370023A	84987	FITZ 7607
84781	FITZ 450301	84837S	FITZ 415449	849	EATON 380023A	84988	FITZ 5113
84781	FITZ 472397	848396	WHITE 415147	84900S	FITZ 5589	84989S	FITZ 203008
84783	FITZ 6090S	848396	WHITE 415449	84904	FITZ 340356	84990S	FITZ 6879H
84784	FITZ 471267	8483LPD	JN-MN 417181	84906S	FITZ 473234	84992	FITZ 416273
84786	FITZ 350954	8483LUP	JN-MN 417181	84914	FITZ 473228	84993S	WHITE 417262
84786	FITZ 470954	84840	FITZ 417269	84914	FITZ 51098	84993S	WHITE 455448
84787	FITZ 471281	84841	FITZ 415060	84916	FITZ 6960	84993S	FITZ 6241S
84788	FITZ 450143	84842	FITZ 417353	84918	FITZ 205017	84994S	FITZ 7886S
84789	FITZ 6612S	84843	FITZ 455022	84919	FITZ 7022S	84995	FITZ 41257
847899	GWI 450078	84844	FITZ 415196	84922	FITZ 470487N	84997	FITZ 7994S

INTERCHANGE SECTION

COMPETITIVE INTERCHANGES

Mfr No.	Mfr.	National	Mfr No.	Mfr.	National	Mfr No.	Mfr.	National	Mfr No.	Mfr.	National
84998S	FITZ	9150S	8503LPD	JN-MN	415263	85203S	FITZ	2955	855022004	BU-SP	472439
84999	FITZ	8139	8503LUP	JN-MN	415263	85204S	FITZ	3095	855022005	BU-SP	472658
84FM6L270A1	FORD	713087	85040S	FITZ	5111S	852052	WHITE	470120	855022005	BU-SP	473197
84FM6L270A1A	FORD	713087	85048S	FITZ	3945	852052	WHITE	471224	855022007	BU-SP	470163
84G15	OSHKO	416288	8504LPD	JN-MN	417506	85205S	FITZ	5108	855022007	BU-SP	471766
84GT7A248A3A	FORD	2658V	8504LUP	JN-MN	417506	852084	WHITE	450073	855022008	BU-SP	471192
84GX15	OSHKO	416288	85051S	FITZ	475368N	852172	GWI	455195	855022009	BU-SP	472185
850	EATON	370036A	850567	CLARK	6863S	852172	GWI	472157	855022010	BU-SP	472394
850	EATON	370349A	8505LPD	JN-MN	415007	8521S	TIMKE	8521S	855022011	BU-SP	470120
850	EATON	380036A	8505LUP	JN-MN	415007	85221	AM WH	471646	855022011	BU-SP	471224
85000	FITZ	291295	8506LPD	JN-MN	417488	852482	WHITE	6863S	855022012	BU-SP	472144
8500059	CYCLO	410825	8507	CABOT	416239	8527160	FAIRB	471571	855022013	BU-SP	471652
8500060	CYCLO	416273	8507	MINMA	416239	852723	WHITE	JV701	855022013	BU-SP	482208
8500061	CYCLO	470898	85079	AM WH	473245	85274	HOUGH	412119	855022014	BU-SP	470163
8500062	CYCLO	473474	8507LPD	JN-MN	417488	853	EATON	370037A	855022014	BU-SP	471766
8500063	CYCLO	415483	8507LUP	JN-MN	417488	853	EATON	370338A	855022015	BU-SP	470548
8500064	CYCLO	415281N	85081044	WARNE	473245	85305	WITTE	472012	855022015	BU-SP	470625
8500065	CYCLO	416047	850812	CLARK	450115	853090	WHITE	471442	855022016	BU-SP	470120
8500065	CYCLO	416332	850812	CLARK	473467	853170	FIAT	224040	855022016	BU-SP	471224
8500068	CYCLO	415304	85085	C-R	416394	853391	CLARK	474278	855022017	BU-SP	471192
8500068	CYCLO	476470	85085	SKF	416394	853391	CLARK	480356	855022018	BU-SP	472394
8500078	CYCLO	470954	8508LPD	JN-MN	455820	853716	CLARK	450173	855022019	BU-SP	7216
8500079	CYCLO	471224	8508LUP	JN-MN	455820	853D6	DIA	455858	855022021	BU-SP	450082
85002S	FITZ	8160S	8509LPD	JN-MN	417172	853D6	WHITE	455858	855022021	BU-SP	473238
85003S	FITZ	482253	8509LUP	JN-MN	417172	854	EATON	370019A	855022022	BU-SP	450352
850050	CLARK	471567	851	EATON	370065A	85404	NATL	200642	855022022	BU-SP	472164
850078	CYCLO	470954	851	EATON	380065A	854090	WHITE	415437	855022023	BU-SP	450067
85009	C-R	417603	8510	JAC	350954	854091	WHITE	416339	855022023	BU-SP	473228
85009	SKF	417603	8510	JAC	470954	854091	WHITE	455031	855022024	BU-SP	472439
850105	CLARK	412473	85103658	VOLVO	370033A	854237	HR-DV	450070	855022025	BU-SP	450291
850105	CLARK	415894	85103658	WHITE	370033A	854237	HR-DV	472185	855022025	BU-SP	471141
850109M1	MASSE	470712	85103661	VOLVO	370048A	854241	HR-DV	50468	855022026	BU-SP	472144
8501238	CYCLO	471413	85103661	VOLVO	380048A	854276	WHITE	450183	855022027	BU-SP	451817
8501239	CYCLO	471571	85103661	WHITE	370048A	854276	WHITE	472179	855022028	BU-SP	470548
8501240	CYCLO	473231	85103661	WHITE	380048A	8545	C-R	222238	855022028	BU-SP	470625
8501240	GR-DV	410358N	85108790	VOLVO	100494	8545	SKF	222238	855022029	BU-SP	470548
8501241	CYCLO	472397	85108792	VOLVO	100263	85452	GRAM	8160S	855022029	BU-SP	470625
85012S	FITZ	5092	8510LUP	JN-MN	473453	854580	GWI	455195	855022031	BU-SP	473445
85013S	FITZ	472082	8511220071	MAGNA	710745	854580	GWI	472157	855022032	BU-SP	470682
85015	C-R	417604	851350M1	MASSE	40401	854581	GWI	416657	855022033	BU-SP	471750
85015	SKF	417604	85137	NATL	7208S	854761	CLARK	6186	855022034	BU-SP	473452
85015S	FITZ	332062	851522	WHITE	472560N	8548895	RENAU	3771	855022035	BU-SP	450291
850175	CLARK	450446	851522	WHITE	50151S	8548983	RENAU	3771	855022035	BU-SP	471141
85017S	FITZ	9613S	8515N	TIMKE	8515N	854945	WHITE	475009N	855022036	BU-SP	450070
850185M1	MASSE	472015	851634	WHITE	475012N	8549S	TIMKE	8549S	855022036	BU-SP	472185
850189	GWI	415351	85165	GWI	450094	854D1	DIA	450073	855022038	BU-SP	471984
8501LPD	JN-MN	417198	85165	GWI	473462	854D1	WHITE	450073	855022039	BU-SP	5778
8501LUP	JN-MN	417198	8516N	TIMKE	8516N	855	EATON	370124A	855022040	BU-SP	471192
850225M1	MASSE	471785	85174	MCCOR	470354	8550	C-R	222240	855022041	BU-SP	470625
850234	GWI	415009	851771	WHITE	471231	8550	SKF	222240	855023000	BU-SP	472636
850234	GWI	415960	85181S	FITZ	472341	855021003	BU-SP	471267	855023001	BU-SP	411394
850237C92	IH	450066	85182S	FITZ	3698	855022000	BU-SP	471192	855023001	BU-SP	450317
850237C92	IH	473367	85182S	FITZ	5092	855022001	BU-SP	470548	855023002	BU-SP	417316
85029S	FITZ	5111S	85196S	FITZ	5414	855022001	BU-SP	470625	855023002	BU-SP	455004
8502LPD	JN-MN	55030	85197S	FITZ	5115	8550220010	BU-SP	472394	855023003	BU-SP	473466
8502LUP	JN-MN	55030	85199S	FITZ	3393	8550220011	BU-SP	470120	855023004	BU-SP	415007
85030S	FITZ	472082	852	EATON	370031A	8550220011	BU-SP	471224	855023005	BU-SP	450867
850315	GWI	417205	852	EATON	380031A	8550220012	BU-SP	472144	855023005	BU-SP	470898
850316	GWI	417247	85201S	FITZ	473560N	855022002	BU-SP	450067	855023007	BU-SP	455005
850333M1	MASSE	200354	85202S	FITZ	3103	855022002	BU-SP	473228	855023008	BU-SP	450441

INTERCHANGE SECTION

COMPETITIVE INTERCHANGES



Mfr No.	Mfr.	National	Mfr No.	Mfr.	National	Mfr No.	Mfr.	National	Mfr No.	Mfr.	National
855023008	BU-SP	471341	855024005	BU-SP	415379	855028000	BU-SP	415867	85805	GRAM	473467
855023009	BU-SP	450085	855024006	BU-SP	415379	855028001	BU-SP	415867	858286	CLARK	471442
855023009	BU-SP	470530	855024006	BU-SP	455379	855028002	BU-SP	415116	8583	FULLE	470358
855023011	BU-SP	417485	855024008	BU-SP	415379	855028003	BU-SP	415867	8583	FULLE	473231
855023012	BU-SP	473464	855024009	BU-SP	415995	855028004	BU-SP	455406	858345	WHITE	370023A
855023013	BU-SP	415007	855024009	BU-SP	455013	855028005	BU-SP	415551	858345	WHITE	380023A
855023014	BU-SP	473466	855024010	BU-SP	455018	855028006	BU-SP	415551	858358	WHITE	370036A
855023015	BU-SP	417316	855024010	BU-SP	476470	855028007	BU-SP	415867	858358	WHITE	370349A
855023015	BU-SP	455004	855024011	BU-SP	412473	855028008	BU-SP	415867	858358	WHITE	380036A
855023016	BU-SP	450316	855024011	BU-SP	415894	855028009	BU-SP	416239	858368	WHITE	370020A
855023016	BU-SP	472636	855024013	BU-SP	415937	855028010	BU-SP	416239	858372	WHITE	370020A
855023017	BU-SP	415303	855024014	BU-SP	417351	855029001	BU-SP	415128	858375	WHITE	370023A
855023018	BU-SP	412861	855024014	BU-SP	455154	855029005	BU-SP	415482	858375	WHITE	380023A
855023019	BU-SP	472636	855024015	BU-SP	456105	855029007	BU-SP	415482	858383	WHITE	370001A
855023021	BU-SP	415449	855024016	BU-SP	418028	855029011	BU-SP	455462	858383	WHITE	380001A
855023021	BU-SP	455147	855024016	BU-SP	455137	855029013	BU-SP	415482	8583AB	CASE	415458
855023022	BU-SP	411394	855024017	BU-SP	415281N	855029014	BU-SP	55301S	8583AB	CASE	455003
855023022	KOEH	411394	855024018	BU-SP	416624	855048	WHITE	450115	85854	WAUKE	352541
855023023	BU-SP	8650S	855024019	BU-SP	7208S	855048	WHITE	473467	8587	CHERY	416107
855023024	BU-SP	415147	855024022	BU-SP	417598	855049	WHITE	471192	8587	CHERY	455073
855023024	BU-SP	415449	855024023	BU-SP	415013	855054	WHITE	411245	858701	CLARK	450188
855023025	BU-SP	417486	855024023	BU-SP	415995	855054	WHITE	455096	85884	WHELA	415645
855023026	BU-SP	472924	855024024	BU-SP	415559	8551220801	MAGNA	710695	85884	WHELA	455104
855023027	BU-SP	412119	855024025	BU-SP	415379	8552220151	MAGNA	710646	858849	WHITE	370007A
855023027	BU-SP	450101	855024025	BU-SP	455379	8552223511	MAGNA	710647	858849	WHITE	7866S
855023028	BU-SP	473473	855024026	BU-SP	417191	8553228611	MAGNA	710831	858872	WHITE	40140S
855023029	BU-SP	55469	855024026	BU-SP	455165	855488	CLARK	450269	859	EATON	370025A
855023030	BU-SP	450519	855024027	BU-SP	416011	8556220811	MAGNA	710675	859	EATON	380025A
855023030	BU-SP	471271	855024027	BU-SP	417621	8556222921	MAGNA	710809	859	EATON	386025A
855023031	BU-SP	450085	855024029	BU-SP	476470	855657	CLARK	471570	859056	WHITE	415960
855023031	BU-SP	470530	855024030	BU-SP	417210	85571	WAUKE	473205	859059	WHITE	455032
855023033	BU-SP	415302	855024031	BU-SP	416125	8558	C-R	222240	859060	WHITE	416892
855023034	BU-SP	473471	855025000	BU-SP	415138	8558	SKF	222240	859063	WHITE	417172
855023035	BU-SP	417484	855025001	BU-SP	416888	856	EATON	370022A	859064	WHITE	415437
855023035	BU-SP	417484N	855025001	BU-SP	455200	856	EATON	380022A	859064	WHITE	455173
855023036	BU-SP	415001	855025003	BU-SP	415196	856227	CHRY	471316	859164	CHRY	6241S
855023036	BU-SP	455001	855025006	BU-SP	415064	85641	WAUKE	330385	85927R91	IH	340413
855023037	BU-SP	417344	855025007	BU-SP	455195	856798	GW	416892	85928R91	IH	240414
855023037	BU-SP	455006	855025007	BU-SP	472157	856811	WHITE	416404	859393	GW	450494
855023038	BU-SP	411348	855025008	BU-SP	416892	856821	WHITE	471224	859393	GW	472164
855023039	BU-SP	415483	855025009	BU-SP	455197N	857	EATON	370131A	8594S	TIMKE	8594S
855023039	BU-SP	455368	855026000	BU-SP	417254	857	EATON	380131A	8597S	TIMKE	8597S
855023040	BU-SP	416271	855026001	BU-SP	415725	857525275	AUDI	710538	859984	WHITE	370001A
855023041	BU-SP	450389	855026002	BU-SP	415645	857525275	VW	710538	859984	WHITE	380001A
855023041	BU-SP	472492	855026002	BU-SP	455104	857525275A	AUDI	710538	859985	WHITE	370001A
855023042	BU-SP	450301	855026003	BU-SP	416865	857525275A	VW	710538	859985	WHITE	380001A
855023042	BU-SP	472397	855026003	BU-SP	455070	857031	CLARK	480630	859D6	WHITE	456618
855023043	BU-SP	417480	855026004	BU-SP	415645	857112	CLARK	416158	85GB1175AA	FORD	710463
855023043	BU-SP	455860	855026004	BU-SP	455104	857317	CLARK	471765	85HU4676A	FORBE	712011
855023044	BU-SP	40401	855026005	BU-SP	415938	85778	CUMMI	472164	86374A	BUC-E	416077
855023045	BU-SP	450115	855026006	BU-SP	416107	85778	OLIVE	450070	860	EATON	370005A
855023045	BU-SP	473467	855026006	BU-SP	455073	85778	OLIVE	472185	86000	FITZ	415437
855023046	BU-SP	450121	855026007	BU-SP	416107	857824	WHITE	370006A	86001	FITZ	7208S
855023046	BU-SP	472409	855026010	BU-SP	416107	85785	CUMMI	450121	860022	WHITE	474278
855024001	BU-SP	415991	855026011	BU-SP	417556	85785	CUMMI	472409	860022	WHITE	480356
855024002	BU-SP	415991	855026012	BU-SP	416666	85785	OLIVE	450121	86003	FITZ	415437
855024002	BU-SP	455146	855027000	BU-SP	417298	85785	OLIVE	472409	86003	FITZ	455173
855024003	BU-SP	415991	855027002	BU-SP	417562	8579	FULLE	472319	86004	FITZ	416125
855024004	BU-SP	415995	855027003	BU-SP	415072	858	EATON	370021A	86006	FITZ	415137
855024004	BU-SP	455013	855027004	BU-SP	417596	85805	GRAM	450115	86006	FITZ	418028

INTERCHANGE SECTION

COMPETITIVE INTERCHANGES

Mfr No.	Mfr. National	Mfr No.	Mfr. National	Mfr No.	Mfr. National	Mfr No.	Mfr. National
86014686	MERCE 717005	861546	WHITE 6864S	863154	CLARK 473467	8649	C-R 353132
86010	FITZ 45637S	8615885	GMC 417158	8631590	GMC 240385	8649	SKF 353132
86011	FITZ 415025	8615885	GMC 455355	8631950	GMC 4072N	86496	GRAM 450121
86014686	IVECO 717005	8616052	GMC 100165	8632	C-R 7014S	86496	GRAM 472409
8601478	GMC 412871	8616588	GMC 473234	8632	SKF 7014S	86504R91	IH 455008
8601478	GMC 450329	8617869	GMC 7038SA	863490	WHITE 455480	865070R91	IH 411348
860264R91	IH 40566S	86179	C-R JV1469	8635S	TIMKE 8635S	8650S	TIMKE 8650S
860313R91	IH 40566S	86179	SKF JV1469	8636015	VOLVO 224020	8654491	GMC 4950
8603362	GMC 471442	8618702	GMC 7038SA	86360153	VOLVO 224020	8655031	GMC 9449
860419	WHITE 415836	8618702	WILYS 7038SA	8636194	VOLVO 710801	8655032	GMC 2457
860419	WHITE 415995	86188	C-R JV1474	86361946	VOLVO 710801	8655122	GMC 6712NA
86048	C-R J1101	86188	SKF JV1474	8636195	VOLVO 710775	8657116	GMC 4950
86048	SKF J1101	8619867	GMC 342805	86361953	VOLVO 710775	8657163	GMC 8792S
86049	C-R J1103	8620	C-R 240733	8637	C-R 340413	8657791	GMC 9613S
86049	SKF J1103	8620	SKF 240733	8637	SKF 340413	8660	C-R 470567
8604M	BRAD 450494	86208C	DIA 6635S	86374	GR-DV 416077	8660	SKF 470567
8604M	BRAD 472164	8621	HYST 450301	8637569	GMC 340849	8660S	TIMKE 8660S
86050	C-R J1105	8621	HYST 472397	8637588	GMC 240385	8661602	GMC 714598
86050	SKF J1105	8621767	GMC 342805	8637906	GMC 4072N	8664812	GMC 4072N
86051	C-R J1106	8622	TIMKE 8622	8638	HYST 471567	8665	C-R 712015
86051	SKF J1106	862283	WHITE 470565	8639	HYST 471570	8665	SKF 712015
860594	WHITE 416956	8623056	GMC 8792S	863916	WHITE 452554N	8665542	GMC 8611N
860594A3	DIA 416956	8623743	GMC 9449	864	CEW 494117	86657J	DIA 417344
86062	C-R J1121	8623789	GMC 6712NA	8640345	GMC 6712NA	8666007	GMC 3543
86062	SKF J1121	8623789	WILYS 6712NA	8641300	GMC 6712NA	86684M	DIA 416654
86067	C-R J1126	8623966	GMC 5208	8641826	GMC 6712NA	86684M	DIA 455012
86067	SKF J1126	8624	C-R 254287	8641878	GMC 6712NA	86689M	IH 470712
8606M	BRAD 471466	8624	SKF 254287	8641904	GMC 6712NA	86690	IH 450070
86071	C-R J1131	8624117	AMC 411500	8641952	GMC 6712NA	86690	IH 472185
86071	SKF J1131	8624117	GMC 411500	864317	WHITE 410825	866964	BENDI 200642
86072	C-R J1132	8624117	WILYS 411500	864319	GW I 472144	86702	HOUGH 417269
86072	SKF J1132	8625	C-R 5976S	864321	GW I 415007	8670218	HOUGH 417269
86073	C-R J1134	8625	CHERY 455186	864324	GW I 416865	8670218	IH 417269
86073	SKF J1134	8625	SKF 5976S	864324	GW I 455070	8670283	GMC 6712NA
86075	C-R J1136	8625571	GMC 6712NA	8643792	GMC 4072N	867167	CLARK 471442
86075	SKF J1136	862570	WHITE 415458	8643935	GMC 3459	867205	CLARK 416271
86076	C-R J1138	862571	WHITE 473447	864403	WHITE 476574N	867279	WHITE 470954
86076	SKF J1138	8625757	GMC 9449	8644637	GMC 710096	867285	WHITE 471570
86079	C-R JV1166	8625892	GMC 7038SA	8644709	ACDEL 710544	867335	WHITE 55563
86079	SKF JV1166	8625893	GMC 5208	8644709	GMC 710544	8673526	GMC 9613S
86082	C-R J1606	8625893	GMC 9449	8645	C-R 340413	867367	WHITE 416364
86082	SKF J1606	86260	C-R 417567	8645	SKF 340413	867385	WHITE 415458
86084	C-R J1825	86260	SKF 417567	8645003	GMC 340847	867385	WHITE 455003
86084	SKF J1825	8626009	GMC 5208	864530R91	IH 410119	867385A	DIA 415458
8609	TIMKE 8609	8626009	GMC 9449	864530R91	IH 471442	867424	VIC 370048A
861	EATON 370003A	8626901	GMC 5208	8646	C-R 471267V	867424	VIC 370182A
861	EATON 380003A	8626912	AMC 6712NA	8646	SKF 471267V	867424	VIC 380048A
8610	TIMKE 8610	8626916	GMC 6712NA	864643C92	IH 370023A	867424	WHITE 370048A
8611N	TIMKE 8611N	8627	C-R 7840S	864643C92	NAVST 370023A	867424	WHITE 370182A
8612	C-R 340850	8627	SKF 7840S	864643C92	NAVST 380023A	867424	WHITE 380048A
8612	SKF 340850	8627145	GMC 2457	864743C92	IH 370023A	8675580	VOLVO 710728
8612229	GMC 9613S	8628054	GMC 4950	864743C92	NAVST 370023A	8675730	GMC 9449
8612234	GMC 450285	8629	STN-S 470163	864743C92	NAVST 380023A	8675731	GMC 2457
8613	HYST 471255	8629	STN-S 471766	864784C91	IH 370023A	8676S	TIMKE 8676S
8614102	GMC 7038SA	863	EATON 370048A	864784C91	NAVST 370023A	8677	C-R 440131
861484	CLARK 415196	8630	STN-S 450067	864784C91	NAVST 380023A	8677	SKF 440131
8615094	GMC 7038SA	8630	STN-S 473228	8648	C-R 351267	867703	WHITE 415988
861513650	SOLAR 471647	8630921	GMC 4950	8648	SKF 351267	8677463	GMC 4333N
861546	WHITE 370023A	8631156	GMC 3543	8648394	GMC 4950	867749	GMC 4577
861546	WHITE 380023A	863154	CLARK 450115	8648906	GMC 4950	8677554	GMC 4674N

INTERCHANGE SECTION

COMPETITIVE INTERCHANGES

TIMKEN®

Mfr No.	Mfr.	National	Mfr No.	Mfr.	National	Mfr No.	Mfr.	National	Mfr No.	Mfr.	National
8677749	GMC	4577	8702540	SAAB	352560	873158R91	IH	471341	8773S	TIMKE	8773S
86783	WHITE	471689	8703	C-R	470680	8731804	SAAB	223510	8777	NATL	9569S
867887R91	IH	471466	8703	SKF	470680	873190	WHITE	415004	87795	CROWN	471554V
867888R91	IH	450185	870349	WHITE	6460S	873190	WHITE	417316	8780	HYST	416288
867888R91	IH	473229	8704	C-R	471570V	873190A	WHITE	415004	878155	WHITE	450025
8679679	GMC	714679	8704	SKF	471570V	873190A	WHITE	417316	878155	WHITE	471553
8679744	GMC	710096	8704298	SAAB	223510	873448	WHITE	417570	878163	WHITE	471765
8680	CHERY	471192	870453	WHITE	471224	87355	HYST	415836	8782	C-R	471646
8680134	KOEH	450183	870485C91	IH	370030A	87355	HYST	415995	8782	SKF	471646
8680134	KOEH	472179	8704S	TIMKE	8704S	873637	FIAT	223535	87823	C-R	JV933
8680152	KOEH	471808	8705S	TIMKE	8705S	87365	GRAM	473463	87823	SKF	JV933
8680153	KOEH	471763	8707	C-R	471570V	87378	HYST	416229	878346	WHITE	455018
8680309	KOEH	450867	8707	SKF	471570V	87379	HYST	471419	878346	WHITE	476470
8680309	KOEH	470898	8707176	SAAB	483230V	87379	HYST	473367	878349	WHITE	415991
8680322	KOEH	471271	87074	AMC	450085	873793	WHITE	340120	878349	WHITE	415991N
8680453	GMC	4950	87074	AMC	470530	87380	HYST	473232	8785A	F-R-H	416921
8680518	KOEH	417191	870889C91	IH	370048A	87381	HYST	472394	8785A	F-R-H	455011
8680541	GMC	4072N	870889C91	NAVST	370182A	87382	HYST	416404	8786A	F-R-H	415138
868137R91	IH	7013S	870889C91	NAVST	380048A	873837	WHITE	413248	8787764	FORD	3772
868137R92	IH	7013S	870890C91	IH	370048A	8741	C-R	471570	8787764	SAAB	3772
868276	WHITE	416921	870890C91	NAVST	370182A	8741	HYST	470380	8787A	F-R-H	416888
868287	CLARK	8650S	870890C91	NAVST	380048A	8741	SKF	471570	8787A	F-R-H	455200
8685111	GMC	224840	8711329	CHRY	340771	8741225028	HUB-C	470120	8788A	F-R-H	417563
8685515	ACDEL	4072N	871239R91	IH	41787S	8741225028	HUB-C	471224	8789A	F-R-H	416666
8685515	GMC	4072N	871240R91	IH	41787S	8741225036	HUB-C	470120	8792S	TIMKE	8792S
8686903	CONTI	472843	871275	WHITE	471192	8741225036	HUB-C	471224	879573	WHITE	471141
868695R91	IH	451948	871281R91	IH	40576S	8742125009	HUB-C	472164	879579	WHITE	471466
8690	C-R	712270	871303R91	IH	340151	8742125026	HUB-C	472658	8796	C-R	471646
8690	SKF	712270	871425	WHITE	35949N	8742125026	HUB-C	473197	8796	SKF	471646
8691	C-R	712270	871425A	WHITE	35949N	8742125027	HUB-C	470390	879981	BENDI	350909
8691	SKF	712270	871601085	SOLAR	471267	8742125045	HUB-C	321516	879981	BENDI	471224
8691260	ACF	415035	871699004	SOLAR	470380	8742125045	HUB-C	471516	88000	MCCOR	40140S
8691260	ACF	455035	871699046	SOLAR	471407	87467	BENDI	240816	88001	MCCOR	417073
8691268	ACF	450519	871699047	SOLAR	471413	874768	BENDI	340797	88002	MCCOR	415001
8691268	ACF	471271	871699052	SOLAR	453165	8748	C-R	471570	88002	MCCOR	455001
869235	WHITE	416297	871699052	SOLAR	471619	8748	HYST	471264	88017	MCCOR	455336
869264	WHITE	470308N	871699156	SOLAR	474274	8748	SKF	471570	8801LPD	JN-MN	417539
869550	IH	417356	871699330	SOLAR	471643	8748919	WILYS	470120	8801LUP	JN-MN	417539
869550	IH	455188	871699348	SOLAR	471571	8748919	WILYS	471224	88023	MCCOR	455310
8695S	TIMKE	8695S	87181	AM WH	412119	8749046	SAAB	3543	88025	MCCOR	5965
86964	WHITE	470308N	87181	AM WH	450101	8749999008	HUB-C	J1103	88026	MCCOR	418028
86978	GRAM	470120	871951	WHITE	200642	875	UNIVE	350435	88026	MCCOR	455137
86978	GRAM	471224	87199	AM WH	455026	8752	DICO	203013	88028	MCCOR	415137
86HM6700AA	FORD	3774	8720035	BOWEN	415645	875242	WHITE	415003	88028	MCCOR	418028
86HM6700A6A	FORD	3774	8720035	BOWEN	455104	875242	WHITE	415458	88029	MCCOR	416288
86SM6701A6A	FORD	3772	8720316	GMC	340823	87541	C-R	415128	88035	HYST	470954
86SM6700A6A	FORD	3771	8721078	SAAB	473823	87541	SKF	415128	88046	MCCOR	415086N
86TM6701A1A	FORD	3393	872164	WHITE	471224	875560	CLARK	470059	88046	MCCOR	417487
8732117	SAAB	3543	8722125045	HUB-C	321516	875560	CLARK	470380	88047	MCCOR	417171
8700	C-R	471570	8722125045	HUB-C	471516	876235R91	IH	416130	88049	MCCOR	416011
8700	SKF	471570	8724S	TIMKE	8724S	8763	C-R	471633	88049	MCCOR	417621
870061	WHITE	6835S	872797	WHITE	415854	8763	SKF	471633	88049S	MCCOR	416011
870080	WHITE	350679	872927	CLARK	470543	8764886	CONTI	474255	88049S	MCCOR	417621
870080	WHITE	470954	872927	CLARK	474272	876506R91	IH	471538	8804LPD	JN-MN	455480
8702	C-R	471570	872E10	CLARK	473473	87656	HYST	415449	8804LUP	JN-MN	455480
8702	SKF	471570	8731	HYST	450069	8767070	HR-DV	471413	88055	MCCOR	417181
870217	WHITE	471737	8731	HYST	473232	876750	WHITE	100495	880620C91	IH	417269
870224	WHITE	471795	873157R91	IH	450441	876750	WHITE	415281N	88068	MCCOR	415988
870224B1	DIA	471795	873157R91	IH	471341	8772	C-R	471633	88068S	MCCOR	415988
870224D1	DIA	471795	873158R91	IH	450441	8772	SKF	471633	88070	MCCOR	415254

INTERCHANGE SECTION

COMPETITIVE INTERCHANGES

Mfr No.	Mfr.	National	Mfr No.	Mfr.	National	Mfr No.	Mfr.	National	Mfr No.	Mfr.	National
88072	MCCOR	455008	88140	MCCOR	417487	88197	MCCOR	476470	88259	MCCOR	6575S
88076	MCCOR	415007	88140	MCCOR	455014	88198	MCCOR	417343	8825LPD	JN-MN	417525
88079	MCCOR	415960	88141	MCCOR	455015	88199	MCCOR	475380N	8825LUP	JN-MN	417525
88079	MCCOR	455009	88142	MCCOR	456105	881991M1	MASSE	415483	8826	TEKNI	470163
88083	MCCOR	455280	88143	MCCOR	415085	881991M1	MASSE	455368	8826	TEKNI	471766
88084	MCCOR	416654	88143	MCCOR	456648	8819LPD	JN-MN	415090	88268	MCCOR	455566
88084	MCCOR	455012	88144	MCCOR	417487	8819LUP	JN-MN	415090	8826LPD	JN-MN	417548
88085	MCCOR	455151	88144	MCCOR	455086	88202	MCCOR	417191	8826LUP	JN-MN	417548
88088	MCCOR	415995	88145	MCCOR	416282	88203	MCCOR	46997S	88271	MCCOR	415013
88088	MCCOR	455013	88146	MCCOR	417172	88204	MCCOR	416294	88271	MCCOR	415995
8808LPD	JN-MN	417513	881467	WHITE	412027	8820G	OSHKO	415001	88272	MCCOR	417486
8808LUP	JN-MN	417513	88147	MCCOR	415991	8820LPD	JN-MN	471413	88273	MCCOR	415234
88092	MCCOR	417316	88147	MCCOR	455146	8821	C-R	470590	88274	MCCOR	415003
88092	MCCOR	455004	88148	MCCOR	417134	8821	SKF	470590	88274	MCCOR	415458
88093	MCCOR	417484N	88149	MCCOR	417351	882125	WHITE	415147	88275	MCCOR	415146
88093	MCCOR	455322	88149	MCCOR	455154	882125	WHITE	415449	88275	MCCOR	415991
88093S	MCCOR	417484N	881499	WHITE	415938	88214	MCCOR	416706	88277	MCCOR	5M643
88093S	MCCOR	455322	8814LPD	JN-MN	471649	88214	MCCOR	455272	88277S	MCCOR	410308
88094	MCCOR	417344	8814LUP	JN-MN	471649	88217	MCCOR	415991	88277S	MCCOR	450308
88095	MCCOR	417159	88151	MCCOR	417488	88217	MCCOR	415991N	88278	MCCOR	3103
88096	MCCOR	417159	88152	MCCOR	412473	88218	MCCOR	415836	88279	MCCOR	415857
88097	MCCOR	415458	88152	MCCOR	415894	88218	MCCOR	415995	88280	MCCOR	6930
88097	MCCOR	455003	88153	MCCOR	417492	8821LPD	JN-MN	415437	88281	MCCOR	416706
8809LPD	JN-MN	415045	88154	MCCOR	417481	8821LPD	JN-MN	455173	88283	MCCOR	415984
8809LUP	JN-MN	415045	88155	MCCOR	412861	8821LUP	JN-MN	415437	88286	MCCOR	345146
88101	MCCOR	455151	88156	MCCOR	455253	8821LUP	JN-MN	455173	88287	MCCOR	45825S
88102	MCCOR	475012N	88157	MCCOR	415259	88222	MCCOR	6200	88288	MCCOR	40401
88103	MCCOR	416273	88158	MCCOR	455260	88223	MCCOR	5578	88292	MCCOR	417343
88104	MCCOR	417485	88159	MCCOR	415281N	88224	MCCOR	417343	88293	MCCOR	417480
88105	MCCOR	415003	8815LUP	JN-MN	473233	8822LPD	JN-MN	417362	88293	MCCOR	455860
88105	MCCOR	415458	88160	MCCOR	417082	8822LUP	JN-MN	417362	88294	MCCOR	415991
88107	MCCOR	415001	88161	MCCOR	415991	88232	MCCOR	415836	88296R	JOHND	472287
8810LPD	JN-MN	416137	88161	MCCOR	455146	88232	MCCOR	415995	88300	MCCOR	35949N
8810LUP	JN-MN	416137	88162	MCCOR	415984	88235	MCCOR	417350	88301	MCCOR	410825
88111	MCCOR	3210	88163	MCCOR	417191	88235	MCCOR	455479	88303	MCCOR	416011
88117	MCCOR	415899N	88164	MCCOR	55337	88236	MCCOR	473010	88303	MCCOR	417621
88117	MCCOR	416624N	88165	MCCOR	415991	88237	MCCOR	416444	88304	MCCOR	411348
8811LPD	JN-MN	415064	88165	MCCOR	455146	88238	MCCOR	455500	88307	MCCOR	8976S
8811LUP	JN-MN	415064	88166	C-P	340009S	88239	MCCOR	418029	88308	MCCOR	370018A
88121	MCCOR	417344	88166	MCCOR	416404	88239	MCCOR	455499	88309	MCCOR	8139
88122	MCCOR	415960	881661	WHITE	5487	8823LPD	JN-MN	415871	88312	MCCOR	8370S
88122S	MCCOR	415009	88167	C-P	340413	8823LUP	JN-MN	415871	88313	MCCOR	415004
88122S	MCCOR	415960	88175	MCCOR	417344	88241	MCCOR	415442	88313	MCCOR	417316
88123	MCCOR	415013	88176	HYST	415447	88242	MCCOR	417343	88314	MCCOR	8429S
88123	MCCOR	415995	88177	MCCOR	415272N	88244	MCCOR	412473	88319	EATON	370003A
88126	MCCOR	417351	8818	TMTR	340385	88244	MCCOR	415894	88319	EATON	380003A
88128	MCCOR	417492	88180	MCCOR	417316	88245	MCCOR	5MR1009	8831LPD	JN-MN	471192
88129	MCCOR	417316	88180S	MCCOR	415004	88246	MCCOR	417352	8831LUP	JN-MN	471192
88130	MCCOR	475009N	88180S	MCCOR	417316	88246	MCCOR	418028	88326M	IH	411394
88133	MCCOR	45013S	88183	MCCOR	416404	88248	MCCOR	417316	88326M	IH	450317
88135	MCCOR	470543	88184	MCCOR	455079	88249	MCCOR	416292	88327	EATON	370121A
88135	MCCOR	474272	88185	MCCOR	415082	8824LPD	JN-MN	417606	88327M	IH	450090
88136	MCCOR	455005	88186	MCCOR	415088	8824LUP	JN-MN	417606	88343	AM WH	417491
88137	MCCOR	417344	88186	MCCOR	455088	88252	MCCOR	416956	883552	WHITE	410737
88137	MCCOR	455006	88187	MCCOR	455144	88253	MCCOR	417484N	883555	WHITE	5487
88137S	MCCOR	417344	88188	MCCOR	415350	88253	MCCOR	475322N	883557	WHITE	455858
88137S	MCCOR	455006	88189	MCCOR	475384	88257	MCCOR	415960	8835LPD	JN-MN	417604
88138	MCCOR	455008	88191	MCCOR	2081	88257	MCCOR	455009	8835LUP	JN-MN	417604
88139	MCCOR	416921	88193	MCCOR	476470	88258	MCCOR	412473	8835S	TIMKE	8835S
88139	MCCOR	455011	88197	MCCOR	415304	88258	MCCOR	415894	8838378	RCA	240435

INTERCHANGE SECTION

COMPETITIVE INTERCHANGES

TIMKEN®

Mfr No.	Mfr.	National	Mfr No.	Mfr.	National	Mfr No.	Mfr.	National	Mfr No.	Mfr.	National
883865	WHITE	340483	8881538	GMC	J1138	88AX109	MACK	455147	88AX151P3	MACK	416921
883867	WHITE	456744N	8881555	GMC	415938	88AX11	MACK	470059	88AX152	MACK	416888
8838LPD	JN-MN	455336	8881715	GMC	472015	88AX11	MACK	470380	88AX152	MACK	455200
8838LUP	JN-MN	455336	8884561	GMC	470898	88AX110	MACK	370033A	88AX153	MACK	415058
883935M4	MASSE	1037	88870	GMC	473238	88AX110P1	MACK	417356	88AX153P3	MACK	415058
8841LPD	JN-MN	417191	888712	BUC-E	455117	88AX110P1	MACK	455188	88AX154	MACK	415437
8841LUP	JN-MN	417191	8887LPD	JN-MN	473448	88AX111	MACK	417196	88AX154	MACK	455173
8842	C-R	471137	8887LUP	JN-MN	473448	88AX113	MACK	450025	88AX155	MACK	417171
8842	SKF	471137	88884A	HEIL	415004	88AX113	MACK	471553	88AX156	MACK	415394
884299	WHITE	415483	88884A	HEIL	417316	88AX114	MACK	471570	88AX157P3	MACK	416024
884439C91	IH	415072	88884A	HERCU	415004	88AX115	MACK	471689	88AX158	MACK	415021
884579	WHITE	417354	88884A	HERCU	417316	88AX116	MACK	470077	88AX159	MACK	416011
884581	WHITE	472179	889197	WHITE	471870	88AX116	MACK	474281	88AX159	MACK	417621
884582	WHITE	415437	889197	WHITE	471883	88AX117	MACK	450094	88AX159P2	MACK	415156N
8845SS	JN-MN	476470	889246	WHITE	415013N	88AX117	MACK	473462	88AX16	MACK	471255
884615	BENDI	471267	889246	WHITE	415995V	88AX118	MACK	450066	88AX165	MACK	415013
884634	SPICE	415023	88935670	GMC	710692	88AX118	MACK	473367	88AX165	MACK	415995
88526A	HEIL	471760	88935670	SAAB	710692	88AX119	MACK	416738	88AX165P2	MACK	415013
88526A	HERCU	471760	88935671	GMC	710693	88AX119	MACK	450096	88AX165P2	MACK	415995
885379	WHITE	6808N	88935671	SAAB	710693	88AX12	MACK	473426	88AX166	MACK	415302
885387	WHITE	410987	88935685	GMC	710660	88AX120	MACK	410312N	88AX167	MACK	456105
8855SS	JN-MN	471549	88935685	SAAB	710660	88AX120P2	MACK	410312N	88AX167P3	MACK	456105
8856SS	JN-MN	473405	88935818	GMC	100557	88AX120P3	MACK	410312N	88AX17	MACK	417273
8857LPD	JN-MN	416282	88936343	GMC	710492	88AX121	MACK	411253	88AX170	MACK	416706
8857LUP	JN-MN	416282	88958818	GMC	714670	88AX121	MACK	450099	88AX172	MACK	410102
8858LPD	JN-MN	410102	88969522	GMC	710765	88AX122	MACK	415001	88AX173	MACK	415551
8860	C-R	471730	889736C91	HOUGH	415304	88AX122	MACK	455001	88AX174	MACK	415035
8860	SKF	471730	889736C91	HOUGH	476470	88AX123	MACK	415082	88AX174	MACK	455035
8860R	JN-MN	417247	889736C91	IH	476470	88AX124	MACK	455280	88AX175	MACK	450316
8861SS	JN-MN	473236	889737C91	IH	417134	88AX125	MACK	415458	88AX175	MACK	472636
88643	HYST	470737N	889738C91	HOUGH	417254	88AX125	MACK	455003	88AX176	MACK	470120
8864LPD	JN-MN	450474	889738C91	IH	417254	88AX126	MACK	415960	88AX176	MACK	471224
8864LUP	JN-MN	450474	889739C91	HOUGH	416041	88AX126	MACK	455009	88AX177	MACK	416892
8865LPD	JN-MN	415001	889739C91	IH	416041	88AX128	MACK	417354	88AX177P3	MACK	416892
8865LPD	JN-MN	455001	88973C91	IH	476470	88AX129	MACK	415025	88AX178	MACK	415150
8865LUP	JN-MN	415001	88974434	GMC	710711	88AX13	MACK	417316	88AX18	MACK	470027
8865LUP	JN-MN	455001	88982399	GMC	100715V	88AX13	MACK	455004	88AX18	MACK	471554
8868LPD	JN-MN	455462	88982518	GMC	710067	88AX132	MACK	473426	88AX182	MACK	470027
8868LUP	JN-MN	455462	88984330	GMC	710717	88AX133	MACK	417481	88AX182	MACK	471554
8870	C-R	470645	88984339	GMC	710718	88AX134	MACK	417539	88AX183	MACK	471567
8870	SKF	470645	88984494	GMC	330385	88AX135	MACK	417546	88AX184	MACK	471570
8871	TIMKE	8871	88984500	GMC	4503N	88AX136	MACK	415483	88AX186	MACK	450066
88710	C-R	416657	88984501	GMC	710682	88AX136	MACK	455368	88AX186	MACK	473367
88710	SKF	416657	88996480	GMC	710898	88AX138	MACK	415036	88AX187	MACK	470088
8871718	GMC	442380	88996656	GMC	710651	88AX138P3	MACK	415036	88AX188	MACK	450082
8871719	GMC	416273	88996657	GMC	710661	88AX13P3	MACK	417316	88AX188	MACK	473238
8871720	GMC	416273	8899R	JN-MN	470358	88AX14	MACK	450040	88AX189	MACK	450083
8873095	GMC	475012N	8899R	JN-MN	473231	88AX144	MACK	415995	88AX189	MACK	472924
8873096	GMC	475012N	88AX420	MACK	370003A	88AX144	MACK	455013	88AX19	MACK	415035
8873LPD	JN-MN	473245	88AX420	MACK	380003A	88AX145	MACK	473016	88AX19	MACK	455035
8873LUP	JN-MN	473245	88AX1	MACK	473215	88AX146	MACK	471567	88AX190	MACK	416738
8875081	GMC	410686N	88AX10	MACK	470045	88AX147	MACK	5578	88AX190	MACK	450096
8875LUP	JN-MN	416380	88AX10	MACK	476838	88AX147P2	MACK	5578	88AX191	MACK	412943
88760	C-R	455129	88AX100	MACK	417172	88AX149	MACK	417344	88AX192	MACK	412119
88760	SKF	455129	88AX100P3	MACK	417172	88AX149	MACK	455006	88AX192	MACK	450101
8876337	GMC	450183	88AX101	MACK	6863S	88AX15	MACK	412119	88AX193	MACK	415001
8876337	GMC	472179	88AX102	MACK	473419	88AX15	MACK	450101	88AX193	MACK	455001
8877993	GMC	6864S	88AX103	MACK	472015	88AX150	MACK	456890	88AX194	MACK	415995
8878141	BENDI	470590	88AX104	MACK	473213	88AX151	MACK	416921	88AX194	MACK	455013
8878142	BENDI	471785	88AX109	MACK	415449	88AX151	MACK	455011	88AX195	MACK	415025

INTERCHANGE SECTION

COMPETITIVE INTERCHANGES

Mfr No.	Mfr.	National	Mfr No.	Mfr.	National	Mfr No.	Mfr.	National	Mfr No.	Mfr.	National
88AX196	MACK	415035	88AX241P3	MACK	470954	88AX3	MACK	472397	88AX376	MACK	380069A
88AX196	MACK	455035	88AX242	MACK	473453	88AX303P2	MACK	5578	88AX378	MACK	370028A
88AX197	MACK	415041	88AX247	MACK	471570	88AX306	MACK	450352	88AX379	MACK	370036A
88AX198	MACK	415009	88AX247P3	MACK	471570	88AX306	MACK	472164	88AX379	MACK	370349A
88AX198	MACK	415960	88AX248	MACK	455018	88AX308	MACK	417362	88AX379	MACK	380036A
88AX198P2	MACK	415009	88AX248	MACK	476470	88AX311P3	MACK	340120	88AX380	MACK	370019A
88AX198P2	MACK	415960	88AX249	MACK	415938	88AX312	MACK	472070	88AX382	MACK	370069A
88AX199	MACK	417298	88AX251	MACK	412871	88AX315	MACK	415995V	88AX382	MACK	380069A
88AX2	MACK	473458	88AX251	MACK	450329	88AX316	MACK	455310	88AX385P3	MACK	470680
88AX20	MACK	415138	88AX253	MACK	417546	88AX316P3	MACK	455310	88AX385P3	MACK	471570
88AX200	MACK	455253	88AX255	MACK	415009	88AX319P2	MACK	417484N	88AX387P3	MACK	415294
88AX201	MACK	416239	88AX255	MACK	415960	88AX319P2	MACK	475322N	88AX390P2	MACK	412798N
88AX202	MACK	415142	88AX257	MACK	415013	88AX321P3	MACK	6835S	88AX391P2	MACK	415027N
88AX203	MACK	415064	88AX257	MACK	415995	88AX322	MACK	415449	88AX393P3	MACK	416239
88AX204	MACK	473245	88AX259	MACK	415991	88AX322	MACK	455147	88AX394P3	MACK	415867
88AX205	MACK	410987	88AX259P2	MACK	415991	88AX322P2	MACK	415147N	88AX395P3	MACK	416039
88AX205	MACK	450103	88AX259P2	MACK	415991N	88AX324	MACK	417022	88AX396P3	MACK	417022
88AX206	MACK	415350	88AX260	MACK	417495	88AX326	MACK	370019A	88AX397P3	MACK	415128
88AX207	MACK	415196	88AX260P1	MACK	417495	88AX327	MACK	416029N	88AX4	MACK	471549
88AX208	MACK	473435	88AX261P2	MACK	100494	88AX327P2	MACK	416029N	88AX400	MACK	2822V
88AX209	MACK	475009N	88AX261P2	MACK	416470N	88AX328	MACK	370014A	88AX401P2	MACK	410867N
88AX21	MACK	415351	88AX263	MACK	471760	88AX331	MACK	340483	88AX402	MACK	370069A
88AX210	MACK	471689	88AX267	MACK	472924	88AX331P3	MACK	340483	88AX402	MACK	380069A
88AX211	MACK	43086S	88AX268	MACK	450519	88AX334	MACK	415128	88AX403	MACK	370069A
88AX212	MACK	415066	88AX268	MACK	471271	88AX334P3	MACK	415128	88AX403	MACK	380069A
88AX214	MACK	416271	88AX268P3	MACK	410519	88AX34	MACK	457874	88AX404	MACK	370069A
88AX215	MACK	416288	88AX268P3	MACK	471271	88AX341	MACK	415836	88AX404	MACK	380069A
88AX215P3	MACK	416288	88AX269P3	MACK	471570	88AX341	MACK	415995	88AX405	MACK	370031A
88AX216	MACK	471688	88AX270	MACK	416865	88AX341P2	MACK	415836N	88AX405	MACK	380031A
88AX217	MACK	411500	88AX271	MACK	416664	88AX343P2	MACK	472016	88AX406	MACK	370019A
88AX218	MACK	416921	88AX271	MACK	455364	88AX346P2	MACK	475009N	88AX407	MACK	370022A
88AX218	MACK	455011	88AX272	MACK	415147	88AX347P2	MACK	416011	88AX407	MACK	380022A
88AX219	MACK	476470	88AX272	MACK	415449	88AX347P2	MACK	417621	88AX408P1	MACK	470954
88AX219P3	MACK	415351	88AX272P2	MACK	415147N	88AX348P2	MACK	415991	88AX408P1	MACK	480954
88AX22	MACK	415041	88AX273	MACK	415867	88AX348P2	MACK	415991N	88AX409P3	MACK	416951
88AX221	MACK	417181	88AX274P2	MACK	417352	88AX349P3	MACK	240731	88AX410P2	MACK	470954V
88AX222	MACK	100495	88AX274P2	MACK	418028	88AX350P3	MACK	343186	88AX410P3	MACK	470954
88AX222	MACK	415281N	88AX275	MACK	417604	88AX353	MACK	472924	88AX415P3	MACK	471570
88AX223	MACK	416664	88AX278	MACK	416029N	88AX353P3	MACK	472924	88AX416P2	MACK	415147N
88AX223	MACK	455364	88AX28	MACK	450593	88AX354P	MACK	415272N	88AX417	MACK	415294
88AX225	MACK	455123	88AX281	MACK	472012	88AX354P2	MACK	415272N	88AX417	MACK	455294
88AX225P3	MACK	455123	88AX281P2	MACK	472012	88AX355P2	MACK	415013N	88AX418	MACK	370031A
88AX226	MACK	415196	88AX282	MACK	471689	88AX355P2	MACK	415995V	88AX418	MACK	380031A
88AX226P2	MACK	415196	88AX282P2	MACK	471689	88AX357P2	MACK	410312N	88AX419	MACK	370033A
88AX229	MACK	417247	88AX282P3	MACK	471689	88AX358P2	MACK	410101N	88AX421	MACK	370022A
88AX231	MACK	450025	88AX286	MACK	6635S	88AX359P2	MACK	415001N	88AX421	MACK	380022A
88AX231	MACK	471553	88AX287	MACK	370003A	88AX360P2	MACK	415009N	88AX424	MACK	370069A
88AX231P2	MACK	471567	88AX287	MACK	380003A	88AX361P2	MACK	415156N	88AX424	MACK	380069A
88AX231P3	MACK	471567	88AX289	MACK	5403	88AX362P2	MACK	415146	88AX425	MACK	370037A
88AX232	MACK	417343	88AX291	MACK	415995	88AX362P2	MACK	415991	88AX425	MACK	370338A
88AX233	MACK	416158	88AX291	MACK	455013	88AX368P2	MACK	415389N	88AX426	MACK	370048A
88AX234	MACK	416167	88AX291P2	MACK	415013N	88AX370P3	MACK	254270	88AX426	MACK	370182A
88AX234	MACK	455091	88AX291P2	MACK	415995V	88AX370P3	MACK	7750	88AX426	MACK	380048A
88AX236	MACK	471763	88AX291P3	MACK	415995	88AX372	MACK	370022A	88AX427	MACK	370019A
88AX24	MACK	473423	88AX291P3	MACK	455013	88AX372	MACK	380022A	88AX429P3	MACK	471224
88AX240	MACK	415060	88AX292	MACK	415991	88AX373	MACK	370031A	88AX432	MACK	370005A
88AX240P3	MACK	415060	88AX292	MACK	455146	88AX373	MACK	380031A	88AX439	MACK	370023A
88AX241	MACK	350954	88AX293	MACK	415995	88AX374	MACK	370057A	88AX439	MACK	380023A
88AX241	MACK	470954	88AX293	MACK	455013	88AX375	MACK	370028A	88AX440	MACK	415991
88AX241P3	MACK	350954	88AX3	MACK	450301	88AX376	MACK	370069A	88AX440	MACK	415991N

INTERCHANGE SECTION

COMPETITIVE INTERCHANGES



Mfr No.	Mfr.	National	Mfr No.	Mfr.	National	Mfr No.	Mfr.	National	Mfr No.	Mfr.	National
88AX440P2	MACK	415991	88AX65P3	MACK	455070	88AXB5	MACK	415960	8921301	GMC	455956H
88AX440P2	MACK	415991N	88AX66	MACK	473245	88AXBF	MACK	416011	8924374	GMC	37921
88AX440P4	MACK	712750	88AX67	MACK	473463	88AXBF	MACK	417621	892457	WHITE	5481
88AX441P3	MACK	417278	88AX68	MACK	471354	88AXM	MACK	415013	8924LPD	JN-MN	471833
88AX442P3	MACK	415294	88AX69	MACK	5751	88AXM	MACK	415995	8925LPD	JN-MN	417267
88AX443	MACK	370173A	88AX7	MACK	450083	88AXT21	MACK	416239	8925LUP	JN-MN	417267
88AX444P2	MACK	415983N	88AX7	MACK	472924	89017622	SAAB	710551	8926902	GMC	37939
88AX448	MACK	370031A	88AX70	MACK	416125	890016C91	IH	416380	89270	BR-ST	473426
88AX448	MACK	380031A	88AX71	MACK	455056	8900LPD	JN-MN	415284	8927748	GMC	6329S
88AX450	MACK	370005A	88AX72	MACK	417269	8900LUP	JN-MN	415284	8928213	GMC	454136N
88AX454	MACK	2822V	88AX73	MACK	417516	89017621	GMC	710605	8928LPD	JN-MN	472951
88AX455	MACK	713750	88AX74	MACK	455297	89017622	GMC	710551	8928LPD	JN-MN	474252
88AX456	MACK	475322N	88AX75	MACK	470045	89018162	GMC	100085	8928LUP	JN-MN	472951
88AX456	MACK	4874N	88AX75	MACK	476838	89018163	GMC	5512	8928LUP	JN-MN	474252
88AX457	MACK	415272N	88AX75P1	MACK	470045	89018205	GMC	710602	8929134	DETRO	4458V
88AX458	MACK	415991N	88AX75P1	MACK	476838	8901R	JN-MN	417562	8929134	GMC	4458V
88AX463	MACK	713750	88AX75P3	MACK	470045	890475	WHITE	410085	8929154	GMC	484156V
88AX466	MACK	370031A	88AX75P3	MACK	476838	890475	WHITE	470530	8929213	GMC	454136N
88AX466	MACK	380031A	88AX76	MACK	473426	89047832	GMC	710853	893	ITM	224040
88AX467	MACK	370022A	88AX76P3	MACK	473426	89048232	ACDEL	223253	89307	HYST	417262
88AX467	MACK	380022A	88AX77	MACK	370036A	89048232	GMC	223253	89307	HYST	455448
88AX469	MACK	370048A	88AX77	MACK	370349A	89048307	ACDEL	710678	8932	FULLE	240735
88AX469	MACK	370182A	88AX77	MACK	380036A	89048307	GMC	710678	893220	WHITE	6597S
88AX469	MACK	380048A	88AX79	MACK	415645	89048562	GMC	710717	893220K1	DIA	6597S
88AX47	MACK	415988	88AX79	MACK	455104	89058833	ACDEL	710416	893230	WHITE	6597S
88AX49	MACK	415836	88AX79P3	MACK	415645	89058833	GMC	710416	893300414	AMC	3698
88AX49	MACK	415995	88AX79P3	MACK	455104	89058835	ACDEL	710845	8933004143	AMC	3698
88AX49P2	MACK	415013	88AX7P3	MACK	472924	89058835	GMC	710845	8935S	TIMKE	8935S
88AX49P2	MACK	415995	88AX8	MACK	450039	89059435	GMC	7412S	893747	WHITE	10049S
88AX5	MACK	471137	88AX81	MACK	473438	89059495	GMC	4503N	893747	WHITE	415281N
88AX50	MACK	415272N	88AX82	MACK	455195	89059515	GMC	710659	893747T2	DIA	417349
88AX51	MACK	416706	88AX82	MACK	472157	89060436	GMC	100085	893788C91	IH	471571
88AX52	MACK	412943	88AX83	MACK	450070	8907	TIMKE	8907	8940S	TIMKE	8940S
88AX53	MACK	411253	88AX83	MACK	472185	89070	C-P	350954	8941446110	ISUZU	1174
88AX54	MACK	415991	88AX84	MACK	416047	89070	C-P	470954	8942149130	ISUZU	710060
88AX54	MACK	455146	88AX84	MACK	416332	89076A	TRASR	710582	894219130	ISUZU	710060
88AX55	MACK	417210	88AX84P1	MACK	416047	8909	HYST	450076	8942230260	ISUZU	1987
88AX56	MACK	412473	88AX84P1	MACK	416332	8909	HYST	470334	894225C91	IH	410101N
88AX56	MACK	415894	88AX84P2	MACK	416047	891015	WHITE	370001A	8942270480	ISUZU	471950
88AX58	MACK	455151	88AX84P2	MACK	416332	891015	WHITE	380001A	8942370620	ISUZU	1981
88AX59	MACK	370036A	88AX88	MACK	415001	891033	WHITE	370001A	8943399970	ISUZU	224025
88AX59	MACK	370349A	88AX89	MACK	415116	891033	WHITE	380001A	8943619381	ISUZU	473258
88AX59	MACK	380036A	88AX9	MACK	473438	891034	WHITE	370001A	8943LPD	JN-MN	455129
88AX59P3	MACK	370036A	88AX90	MACK	470088	891034	WHITE	380001A	8943LUP	JN-MN	455129
88AX59P3	MACK	370349A	88AX93	MACK	471354	891035	WHITE	370001A	8944418171	HONDA	473179
88AX59P3	MACK	380036A	88AX93P3	MACK	471354	891035	WHITE	380001A	8945LUP	JN-MN	415023
88AX6	MACK	450076	88AX94	MACK	417556	89121027	RCA	5857	8945R	JN-MN	415023
88AX6	MACK	470334	88AX95	MACK	417223	891448	CHRYS	470354	894631	SPICE	415013
88AX61	MACK	415995	88AX96	MACK	411376	891448	CLARK	470354	894631	SPICE	415995
88AX61	MACK	455013	88AX96	MACK	455093	891448	MASSE	470354	8946315	SPICE	415072
88AX61P3	MACK	415995	88AX97	MACK	415437	89185	AM WH	416239	8946316	SPICE	415035
88AX61P3	MACK	455013	88AX97	MACK	455173	89185	CROWN	471795V	8946316	SPICE	455035
88AX62	MACK	416666	88AX97P3	MACK	415437	891944	CLARK	204013	894632	SPICE	415449
88AX63	MACK	450117	88AX97P3	MACK	455173	8919LPD	JN-MN	415090	894632	SPICE	455147
88AX63	MACK	472572	88AX98	MACK	415350	8919LUP	JN-MN	415090	894633	H-S	415351
88AX64	MACK	410987	88AX99	MACK	417563	8920	FALKE	416664	894633	SPICE	415351
88AX64	MACK	450103	88AXB1	MACK	415272N	8920	FED	416664	894637	SPICE	415991
88AX65	MACK	416865	88AXB2	MACK	415001	8920200	GMC	473476	894637	SPICE	455146
88AX65	MACK	455070	88AXB21	MACK	416029N	892066	WHITE	370007A	894638	SPICE	470712
88AX65P3	MACK	416865	88AXB4	MACK	416706	8921150B	GMC	470954	8946LPD	JN-MN	416891

INTERCHANGE SECTION

COMPETITIVE INTERCHANGES

Mfr No.	Mfr.	National	Mfr No.	Mfr.	National	Mfr No.	Mfr.	National	Mfr No.	Mfr.	National
8946LUP	JN-MN	416891	8974S	TIMKE	8974S	8A8203	FED	450365	8F1596	CATER	415327
894763M1	MASSE	416921	897599R91	IH	455005	8A8203	FED	470898	8F2079	CATER	471705
8947LPD	JN-MN	415072	8975LPD	JN-MN	453165	8A8579	FED	415449	8F3522	CATER	472179
8947LUP	JN-MN	415072	8975LPD	JN-MN	471619	8A8579	FED	455147	8F3528	CATER	471763
8948LPD	JN-MN	415090	8975LUP	JN-MN	453165	8AX1177	FORD	450444	8F3600	CATER	455035N
8948LUP	JN-MN	415090	8975LUP	JN-MN	471619	8AX1177	FORD	471835	8F4331	CATER	413479
8949LPD	JN-MN	417562	8975S	TIMKE	8975S	8B136	CATER	472705	8F450	CATER	470328
8949LUP	JN-MN	417562	8976S	TIMKE	8976S	8B2240	FED	410708	8F450	CATER	481213
894A786	GE	450457	898235R93	IH	370019A	8B2702	CATER	450066	8F530	CATER	415023
8950LPD	JN-MN	416229	898235R93	NAVST	370019A	8B2702	CATER	473367	8F5340	CATER	240731
8950LUP	JN-MN	416229	8983500199	JEEP	710204	8B6341	CATER	417513	8F5583	CATER	417562
895121C1	IH	475004H	8983501389	AMC	4370N	8B7180	CATER	450067	8F9770	CATER	417316
8951LPD	JN-MN	415116	8983501389	CHRYS	4370N	8B7180	CATER	473228	8F9770	CATER	455004
8951LUP	JN-MN	415116	8983501389	JEEP	4370N	8B7618	CATER	410987	8G1002	HU-WR	415027
8952LPD	JN-MN	455406	8983501872	AMC	473135V	8B7618	CATER	450103	8G1002	HU-WR	455027
8952LUP	JN-MN	455406	8983503010	AMC	473214	8B7989	CATER	415437	8G1085	HU-WR	412473
8953000237	AMC	4019N	8983503010	JEEP	473214	8B8252	CATER	473215	8G1085	HU-WR	415894
8953000239	AMC	470547	8983503063	AMC	9912	8B8255	CATER	450121	8G1176	HU-WR	470219
8953000476	AMC	473212	8983503063	CHRYS	9912	8B8255	CATER	472409	8G1176	HU-WR	471649
8953002642	AMC	470331N	8983503063	JEEP	9912	8B8255	FPDSL	450121	8G1178	HU-WR	473205
8953LPD	JN-MN	417602	8983503504	AMC	710202	8B8294	CATER	416654	8G134N299A	FORD	100552
8953LUP	JN-MN	417602	8983503752	AMC	223831	8B8294	CATER	455012	8G1Z4N046A	FORD	100552
895486	WHITE	415983N	8983504434	AMC	3946	8B8359	CATER	470163	8H7319	CATER	415156N
895486T2	DIA	415983N	8985R	JN-MN	455328	8B8359	CATER	471766	8H9180	CATER	7188S
895486TZ	WHITE	415983N	8989LPD	JN-MN	450084	8B8616	CATER	455018	8H9220	CATER	471267
8954LPD	JN-MN	417604	8989LUP	JN-MN	450084	8B8616	CATER	476470	8H9519	CATER	474274
8954LUP	JN-MN	417604	8991LPD	JN-MN	411376	8B8925	CATER	450185	8H9520	CATER	470567
8955LPD	JN-MN	416364	8991LPD	JN-MN	455093	8B8925	CATER	473229	8H9520	CATER	471267
8955LUP	JN-MN	416364	8991LUP	JN-MN	411376	8B9631	CATER	450076	8H9826	CATER	470605
89569	US-EL	470064	8991LUP	JN-MN	455093	8B9631	CATER	470334	8H9836	CATER	450069
89569	US-EL	471821	899246	WHITE	415013	8C3100	CATER	39140	8H9836	CATER	473232
8956LPD	JN-MN	417542	899246	WHITE	415995	8C341190AA	FORD	710584	8J4869	CATER	416364
8956LUP	JN-MN	417542	899448	CLARK	100495	8C343N296BB	FORD	100712V	8J7893	JNSON	J1119
895781	WHITE	410496	899448	CLARK	415281N	8C346700AA	FORD	710878	8L2594	CATER	471570
8960B	HYST	416921	8998	DICO	441319	8C3Z6700A	FORD	710878	8L2595	CATER	471350
8960B	HYST	455011	8998	TIMKE	8998	8C3Z1190A	FORD	710584	8L2595	CATER	455479
896473	MERIX	415995V	89986R91	IH	450143	8C3Z4L616B	FORD	100712V	8L2891	CATER	481443
896473	MERIX	455995N	8999LPD	JN-MN	417496	8C3Z6700B	FORD	710878	8L3024	CATER	481443
896473	ROCKW	415995V	8999LUP	JN-MN	417496	8C5167	CATER	417484N	8L6547	CATER	472475
896473	ROCKW	455995N	8A0501641A	AUDI	224015	8C5167	CATER	455322N	8L7657	FORD	473235
896473	WHITE	415995V	8A0501641A	VW	224015	8C5210	CATER	38832	8L7657A	FORD	473235
896473	WHITE	455995N	8A1096	FED	410308	8C815248	FUNK	450352	8L7657B	FORD	7300S
896473T2	DIA	415995V	8A1096	FED	450308	8C815248	FUNK	472164	8L7657C	FORD	7300S
896473T2	DIA	455995N	8A1126	FED	473463	8C87638	FUNK	411253	8M1177A	FORD	450067
89660	BR-ST	7014S	8A1177A	FORD	450444	8D0501641A	AUDI	1962	8M1177A	FORD	473228
89692	BR-ST	471267	8A1177A	FORD	471835	8D0501641A	VW	1962	8M3524	CATER	450076
896941R91	IH	370048A	8A1177A1	FORD	450444	8D0598625	AUDI	1962	8M3524	CATER	470334
896941R91	NAVST	370182A	8A1177A1	FORD	471835	8D0598625	VW	1962	8M3591	FORD	240356
896941R91	NAVST	380048A	8A1177A2	FORD	450444	8D1175	FORD	410987	8M4104	CATER	471869
896K1	WHITE	40382	8A1177A2	FORD	471835	8D2311	CATER	416167	8M4104	CATER	473459
897690	ELRNG	3476	8A1177A3	FORD	450444	8D3902	CATER	416047	8M4676	FORD	5778
89724	CHRYS	8160S	8A1177A3	FORD	471835	8D3902	CATER	416332	8M4676A	FORD	5778
8972LPD	JN-MN	450070	8A1190A	FORD	440265	8EB1190	FORD	6638S	8M7657	FORD	473228
8972LPD	JN-MN	472185	8A3591A1	FORD	240151	8EB3591A	FORD	480630	8M8110	CATER	456837V
8972LUP	JN-MN	450070	8A3591A2	FORD	240151	8EB3591A	FORD	480991	8M8761	CATER	472018
8972LUP	JN-MN	472185	8A56277S	TROS	55301S	8EB3591A1	FORD	480630	8M8955	CATER	415035
897348R91	IH	410101N	8A6000	FED	471570	8EB3591A2	FORD	480630	8M9299	CATER	471570
89735R1	IH	240735	8A7261	FED	473215	8EB3591A2	FORD	480991	8N4233A	FORD	450389
8973R	JN-MN	450117	8A7262	FED	471570	8EQH2965	FORD	471689	8N4233	FORD	450389
8973R	JN-MN	472572	8A7976	FED	450307	8F110	BORGW	482267	8N4233	FORD	472492

INTERCHANGE SECTION

COMPETITIVE INTERCHANGES

TIMKEN®

Mfr No.	Mfr.	National	Mfr No.	Mfr.	National	Mfr No.	Mfr.	National	Mfr No.	Mfr.	National
8N4233A1	FORD	450389	9099244680	ISUZU	710277	9004311042	DAIHA	223542	900556	EL-MO	472397
8N4233A1	FORD	472492	9099244681	ISUZU	710277	9004311066000	DAIHA	224045	900621	EL-MO	415725
8N4233A2	FORD	450389	9099244700	ISUZU	710277	9004311075000	DAIHA	1012N	900665	EL-MO	473241
8N4233A2	FORD	472492	9099244701	ISUZU	710227	9004311076	DAIHA	717005	900666	EL-MO	471192
8N4251	FORD	417316	9099244990	ISUZU	710277	9004311076000	DAIHA	717005	900695	EL-MO	471316
8N4251B	FORD	417316	9099245060	ISUZU	227045	9004311081	TOYOT	223240	900734	EL-MO	473227
8N7052	FORD	5872S	9099245500	ISUZU	227045	9004311092	DAIHA	223542	900757	EL-MO	415449
8N7052A	FORD	5872S	9099245580	ISUZU	227045	9004311095	DAIHA	710271	9008031003	TOYOT	221820
8N7052A1	FORD	5872S	9099245610	ISUZU	224020	9004311095000	DAIHA	710271	9008031013	TOYOT	1987
8N7052A2	FORD	5872S	9099245620	ISUZU	710084	9004311100000	DAIHA	1012N	9008031020	TOYOT	710412
8N7052A3	FORD	5872S	9423250100	ISUZU	710373	9004311141	DAIHA	1981	9008031021	TOYOT	710765
8N7052H	FORD	471141	90280462	SAAB	710237	9004311141000	DAIHA	1981	9008031022	TOYOT	2025
8S2225	CATER	254287	90325572	SAAB	710237	9004311144	TOYOT	223420	9008031023	TOYOT	223801
8S4862	B-L-H	450494	90354378	SAAB	710237	9004311144000	DAIHA	223420	9008031033	TOYOT	229210
8S4862	B-L-H	472164	903839T1	CASE	370175A	9004311149	DAIHA	712008	9008031034	TOYOT	224020
8S5575	CATER	471442	90571925	SAAB	224200	9004311149000	DAIHA	712008	9008031035	TOYOT	223800
8T0085	CATER	417940	900	C-R	415983N	9004311166	TOYOT	710230	9008031039	TOYOT	227045
8T1009	HU-WR	473313	900	SKF	415983N	9004311206	DAIHA	224015	9008031049	TOYOT	223801
8T1020	HU-WR	473245	900	UNIVE	415090	9004311211	DAIHA	223420	9008031050	TOYOT	710465
8T1051	HU-WR	415938	900016	EL-MO	471424	9004311211000	DAIHA	223420	9008031053	TOYOT	229210
8T1284	HU-WR	417563	90006	C-R	417940	9004311222	DAIHA	710271	9008031059	TOYOT	710465
8T1402	HU-WR	410312N	90006	C-R	55301S	9004311222000	DAIHA	710271	9008031060	TOYOT	223801
8T2604	CATER	351487	90006	SKF	417940	9004311229	DAIHA	223800	9008031066	TOYOT	1987
8T2604	CATER	7188S	90006	SKF	55301S	9004311230	DAIHA	228013	9008031068	TOYOT	223830
8T3413	CATER	450069	900108	EL-MO	416664	9004311230000	DAIHA	228013	9008031069	TOYOT	710732
8T3413	CATER	473232	900110	MICH	415090	9004311231	TOYOT	710416	9008031072	TOYOT	710711
8T4676A	FORD	410737	9001100	UNIVE	415090	9004311248	DAIHA	224570	9008031073	TOYOT	710189
8T4676A	FORD	450737	9001223	GMC	471466	9004311250	DAIHA	1955	9008031083	TOYOT	223801
8T4676B	FORD	410737	900156	EL-MO	415867	9004311250000	DAIHA	1955	9008031093	TOYOT	223801
8T6917	CATER	416921	9001R	JN-MN	417498	9004311251	DAIHA	224200	9008031094	TOYOT	710676
8T7274	FORD	472705	9002	JN-MN	370022A	9004311251000	DAIHA	224200	900831	EL-MO	417079
8U9Z1S177A	FORD	370023A	900202	EL-MO	455079	9004311252	DAIHA	225535	9009054660	GETRA	710853
9097240031	ISUZU	474133	900218	EL-MO	471567	9004311252000	DAIHA	225535	90091903	GMC	714436
9097240100	ISUZU	710268	900229	EL-MO	415088	9004311267000	DAIHA	710271	90091926	GMC	228008
9097240110	ISUZU	710268	900229	EL-MO	455088	9004311274	DAIHA	717005	90091926	OPEL	228008
9097240180	ISUZU	710080	900276	EL-MO	471570	9004311274000	DAIHA	717005	900920	EL-MO	416130
9097240190	ISUZU	710081	900279	EL-MO	417556	9004311276000	DAIHA	710271	900927	EL-MO	416556
9097240221	ISUZU	225230	9002921007	TOYOT	710450	9004311283000	DAIHA	710271	900927	EL-MO	472157
9097240230	ISUZU	710373	9002921020	TOYOT	710450	9004311284	DAIHA	223235	900939	EL-MO	417474
9097240231	ISUZU	710373	900301	EL-MO	412920	9004311284000	DAIHA	223235	900959	EL-MO	471316
9097240330	ISUZU	1990	900302	EL-MO	471763	9004311293	DAIHA	710616	900974	EL-MO	472015
9097240630	ISUZU	473812	900313	EL-MO	473214	9004311293000	DAIHA	710616	900991	EL-MO	415302
9097240030	ISUZU	474133	9003319001	TOYOT	710371	9004311309	DAIHA	712001	901	C-R	712270
9097240220	ISUZU	225230	900366	EL-MO	416154	9004311309000	DAIHA	712001	901	SKF	712270
9097240640	ISUZU	473179	900384	EL-MO	415437	9004311100	DAIHA	1012N	901017	WAYNE	240733
9099242610	ISUZU	223240	900392	EL-MO	470120	9004311112	DAIHA	1012N	901018	WAYNE	450039
9099242900	ISUZU	710278	900392	EL-MO	471224	9004LPD	JN-MN	455019	90102037	DEMPC	471760
9099242960	ISUZU	225020	9004310027	DAIHA	222410	9004LUP	JN-MN	455019	9010625	GMC	J1117
9099243030	ISUZU	1209	9004310027000	DAIHA	222410	9005	C-R	710254	9010630	GMC	415483
9099243270	ISUZU	227045	9004310029	DAIHA	1981	9005	JN-MN	370021A	90106350	GMC	710232
9099243280	ISUZU	227045	9004310029000	DAIHA	1981	9005	SKF	710254	9012	JN-MN	370023A
9099244150	ISUZU	710278	9004310032	DAIHA	222410	900509	EL-MO	416666	90122607	GMC	710232
9099244160	ISUZU	710278	9004310032000	DAIHA	222410	90052	DENCO	410102	90122609	GMC	714436
9099244170	ISUZU	710278	9004310035	DAIHA	222410	900520	EL-MO	416239	90123632	JOY	471413
9099244180	ISUZU	710278	9004310035000	DAIHA	222410	9005354	GMC	415938	90124110	JOY	415058
9099244200	ISUZU	1987	9004310036	DAIHA	222410	9005357	GMC	417602	901241100	JOY	417344
9099244480	ISUZU	225020	9004310036000	DAIHA	222410	9005359	GMC	415938	901241100	JOY	455006
9099244490	ISUZU	228480	9004310051000	DAIHA	222410	9005360	GMC	416381	901241101	JOY	416654
9099244490	VILA	228480	9004311022	DAIHA	223830	900553	EL-MO	415836	901241101	JOY	455012
9099244530	ISUZU	710277	9004311024000	DAIHA	224045	900553	EL-MO	415995	901241104	JOY	415995

INTERCHANGE SECTION

COMPETITIVE INTERCHANGES

Mfr No.	Mfr. National	Mfr No.	Mfr. National	Mfr No.	Mfr. National	Mfr No.	Mfr. National
901241104	JOY 455013	901241166	JOY 415458	90124126	JOY 455018	90124145	JOY 455009
901241105	JOY 473245	901241166	JOY 455003	90124126	JOY 476470	901241452	JOY 415004
901241106	JOY 470059	901241167	JOY 417485	901241263	JOY 415991	901241452	JOY 417316
901241106	JOY 470380	901241168	JOY 455005	901241263	JOY 455146	901241457	JOY 471419
901241108	JOY 480210	901241169	JOY 417134	901241268	JOY 471567	901241457	JOY 473367
901241111	JOY 417487	90124117	JOY 457874	901241269	JOY 473213	90124146	JOY 450082
901241111	JOY 455014	901241172	JOY 417488	901241270	JOY 55419	90124146	JOY 473238
901241115	JOY 416865	901241174	JOY 416011	901241271	JOY 416892	90124147	JOY 415960
901241115	JOY 455070	901241174	JOY 417621	901241272	JOY 415938	90124147	JOY 455009
90124112	JOY 456105	901241175	JOY 416288	901241273	JOY 418028	90124148	JOY 450083
901241120	JOY 481073	901241178	JOY 412473	901241273	JOY 455137	90124148	JOY 472924
901241121	JOY 450025	901241178	JOY 415894	901241274	JOY 415437	90124149	JOY 417356
901241121	JOY 471553	901241179	JOY 417191	901241275	JOY 470027	90124149	JOY 455188
901241123	JOY 471689	90124118	JOY 416339	901241275	JOY 471554	9012415	JOY 450070
901241124	JOY 470219	90124118	JOY 455031	901241279	JOY 416664	9012415	JOY 472185
901241124	JOY 471649	901241180	JOY 415025	901241279	JOY 455364	90124151	JOY 450316
901241125	JOY 470120	901241181	JOY 455249	90124128	JOY 415036	90124151	JOY 472636
901241125	JOY 471224	901241182	JOY 415711	901241282	JOY 473228	90124152	JOY 415995
901241127	JOY 471763	901241183	JOY 415937	901241282	JOY 51098	90124152	JOY 455013
901241128	JOY 470045	901241184	JOY 415379	90124129	JOY 415645	90124154	JOY 450069
901241128	JOY 476838	901241184	JOY 455379	90124129	JOY 455104	90124154	JOY 473232
901241129	JOY 470712	901241187	JOY 417211	901241290	JOY 415938	90124157	JOY 416153
90124113	JOY 415035	901241189	JOY 415138	901241293	JOY 473474	90124158	JOY 450085
90124113	JOY 455035	901241190	JOY 415034	901241294	JOY 471466	90124158	JOY 470530
901241131	JOY 471750	901241190	JOY 455034	901241296	JOY 450177	9012416	JOY 450084
901241132	JOY 470548	901241192	JOY 417513	9012413	JOY 416107	90124160	JOY 410737
901241132	JOY 470625	901241193	JOY 416891	9012413	JOY 455073	90124160	JOY 450737
901241133	JOY 450185	901241194	JOY 455195	901241301	JOY 416125	90124161	JOY 470169
901241133	JOY 473229	901241194	JOY 472157	901241302	JOY 417262	90124161	JOY 473214
901241135	JOY 470712	901241195	JOY 416888	901241302	JOY 455448	90124164	JOY 415379
901241137	JOY 450194	901241195	JOY 455200	901241303	JOY 350414	90124164	JOY 455379
901241137	JOY 473010	9012412	JOY 417546	901241303	JOY 472311	90124165	JOY 416239
901241138	JOY 473446	90124120	JOY 415045	901241307	JOY 415013	90124166	JOY 417247
901241139	JOY 473236	901241200	JOY 416167	901241307	JOY 415995	9012417	JOY 415001
901241142	JOY 450076	901241200	JOY 455091	901241308	JOY 471424	9012417	JOY 455001
901241142	JOY 470334	901241201	JOY 416865	901241315	JOY 471391	90124171	JOY 415991
901241144	JOY 473450	901241201	JOY 455070	901241323	JOY 470189	90124171	JOY 455146
901241145	JOY 471866	901241202	JOY 416865	901241323	JOY 471692	90124172	JOY 410102
901241146	JOY 473458	901241202	JOY 455070	901241328	JOY 472560N	90124173	JOY 471571
901241147	JOY 471868	901241206	JOY 457874	901241328	JOY 50151S	90124176	JOY 450115
901241148	JOY 472439	901241208	JOY 416229	901241329	JOY 473237	90124176	JOY 473467
90124115	JOY 455008	901241209	JOY 411376	90124133	JOY 415007	90124177	JOY 413469
901241151	JOY 450301	901241209	JOY 455093	90124135	JOY 470169	90124178	JOY 417171
901241151	JOY 472397	90124121	JOY 416892	90124135	JOY 473214	90124179	JOY 415021
901241152	JOY 473242	901241211	JOY 415551	901241354	JOY 417602	9012418	JOY 413469
901241153	JOY 416738	901241213	JOY 417606	90124136	JOY 415988	90124180	JOY 415988
901241153	JOY 450096	901241214	JOY 417020	90124137	JOY 471138	90124181	JOY 415023
901241154	JOY 450307	901241216	JOY 471648	901241370	JOY 470605	90124182	JOY 473215
901241155	JOY 410312N	90124122	JOY 455024	901241376	JOY 450389	90124184	JOY 470064
901241158	JOY 411253	90124123	JOY 412119	901241376	JOY 472492	90124184	JOY 471821
901241158	JOY 450099	90124123	JOY 450101	901241391	JOY 472658	90124187	JOY 470074
90124116	JOY 470163	90124124	JOY 471765	901241391	JOY 473197	90124187	JOY 474265
90124116	JOY 471766	901241241	JOY 470712	9012414	JOY 416666	90124189	JOY 472144
901241160	JOY 410694	90124125	JOY 417316	90124142	JOY 415379	9012419	JOY 415027
901241161	JOY 411394	90124125	JOY 455004	90124142	JOY 455379	9012419	JOY 455027
901241161	JOY 450317	901241251	JOY 410520	901241427	JOY 415004	90124191	JOY 473460
901241162	JOY 416271	901241251	JOY 471272	901241427	JOY 417316	90124194	JOY 472394
901241163	JOY 417073	901241254	JOY 415995	90124143	JOY 418028	90124196	JOY 416444
901241164	JOY 410496	901241254	JOY 455013	90124143	JOY 455137	90124197	JOY 411245
901241165	JOY 415302	901241259	JOY 471570	90124145	JOY 415960	90124197	JOY 455096

INTERCHANGE SECTION

COMPETITIVE INTERCHANGES



Mfr No.	Mfr. National	Mfr No.	Mfr. National	Mfr No.	Mfr. National	Mfr No.	Mfr. National
90124198	JOY 415449	901244213	JOY 455188	90124653	JOY 415991	90136849	GMC 710399
90124198	JOY 455147	901244222	JOY 416137	90124653	JOY 455146	9013LPD	JN-MN 450188
90124199	JOY 455151	901244236	JOY 417278	90124664	JOY 450183	9013LUP	JN-MN 450188
901244100	JOY 471736	901244246	JOY 415072	90124664	JOY 472179	9014	JN-MN 370030A
901244107	JOY 470548	90124425	JOY 417316	90124666	JOY 450389	90140	WHITE 470059
901244107	JOY 470625	90124425	JOY 455004	90124666	JOY 472492	90140	WHITE 470380
901244108	JOY 470548	90124426	JOY 455018	90124668	JOY 450519	9014004	ESSIC 40169S
901244108	JOY 470625	90124426	JOY 476470	90124668	JOY 471271	9014005	ESSIC 471529
901244109	JOY 470059	901244260	JOY 411394	90124681	JOY 450083	9014007	ESSIC 471567
901244109	JOY 470380	901244260	JOY 450317	90124681	JOY 472924	9014015	ESSIC 450593
90124411	JOY 417487	901244278	JOY 471870	90124682	JOY 450301	9014016	ESSIC 470328
90124411	JOY 455014	901244278	JOY 471883	90124682	JOY 472397	9014016	ESSIC 481213
901244110	JOY 470059	9012443	JOY 416107	9012469	JOY 417344	9014017	ESSIC 470189
901244110	JOY 470380	9012443	JOY 455073	9012469	JOY 455006	9014017	ESSIC 471692
901244112	JOY 450185	90124430	JOY 416921	901247106	JOY 415995	9014023	ESSIC 41787S
901244112	JOY 473229	90124430	JOY 455011	901247106	JOY 455013	9014042	ESSIC 470358
901244113	JOY 450185	90124433	JOY 415007	901247109	JOY 416011	9014042	ESSIC 473231
901244113	JOY 473229	90124437	JOY 471138	901247109	JOY 417621	9014043	ESSIC 470351
90124412	JOY 456105	90124441	JOY 417507	901247121	JOY 415034	9014043	ESSIC 471504
901244120	JOY 450183	90124441	JOY 455513	901247121	JOY 455034	9014049	ESSIC 450117
901244120	JOY 472179	90124443	JOY 418028	901247162	JOY 55301S	9014049	ESSIC 472572
901244121	JOY 450183	90124443	JOY 455137	901247165	JOY 415645	9014051	ESSIC 473426
901244121	JOY 472179	901244461	JOY 450494	901247165	JOY 455104	9014053	ESSIC 470059
901244127	JOY 450117	901244461	JOY 472164	901247177	JOY 416891	9014053	ESSIC 470380
901244127	JOY 472572	9012447	JOY 415449	901247179	JOY 450316	9014055	ESSIC 470120
901244132	JOY 450389	9012447	JOY 455147	901247179	JOY 472636	9014055	ESSIC 471224
901244132	JOY 472492	90124476	JOY 473236	901247187	JOY 416364	9014060	ESSIC 450441
901244134	JOY 450301	90124485	JOY 50266	901247193	JOY 471567	9014060	ESSIC 471341
901244134	JOY 472397	90124489	JOY 470120	901247197	JOY 415138	9014062	ESSIC 450143
901244136	JOY 473463	90124489	JOY 471224	90124731	JOY 471750	9014063	ESSIC 473460
901244137	JOY 416738	90124491	JOY 470120	901247413	JOY 470605	9014065	ESSIC 472179
901244137	JOY 450096	90124491	JOY 471224	90124751	JOY 450316	9014072	ESSIC 471689
901244140	JOY 450115	90124493	JOY 450444	90124751	JOY 472636	9014073	ESSIC 470712
901244140	JOY 473467	90124493	JOY 471835	901248103	JOY 473450	9014079	ESSIC 474278
901244145	JOY 473243	90124497	JOY 470189	901248150	JOY 415138	9014079	ESSIC 480356
901244149	JOY 410520	90124497	JOY 471692	901248156	JOY 472560N	9014082	ESSIC 473227
901244149	JOY 471272	90124499	JOY 471785	901248156	JOY 50151S	9014085	ESSIC 470548
901244153	JOY 411253	901245121	JOY 450183	901248161	JOY 411394	9014085	ESSIC 470625
901244153	JOY 450099	901245121	JOY 472179	901248161	JOY 450317	9014091	ESSIC 417316
901244154	JOY 412920	901245208	JOY 415437	90124823	JOY 412119	9014091	ESSIC 455004
901244154	JOY 450132	901246127	JOY 416891	90124823	JOY 450101	9014095	ESSIC 417350
901244155	JOY 455136	901246133	JOY 415138	9012483	JOY 412119	9014095	ESSIC 455479
90124416	JOY 470163	901246236	JOY 410312N	9012483	JOY 450101	9014098	ESSIC 343185
90124416	JOY 471766	901246253	JOY 471570	90124860	JOY 410190	9014099	ESSIC 240816
901244173	JOY 415449	901246276	JOY 476470	90124861	JOY 471571	90141	WHITE 470059
901244173	JOY 455147	90124629	JOY 417344	90124862	JOY 470712	90141	WHITE 470380
901244181	JOY 417344	90124629	JOY 455006	90124871	JOY 450094	9014102	ESSIC 450298
901244181	JOY 455006	901246294	JOY 417596	90124871	JOY 473462	9014102	ESSIC 473239
901244182	JOY 417158	90124630	JOY 416921	90124873	JOY 470120	9014107	ESSIC 6283S
901244182	JOY 455355	90124630	JOY 455011	90124873	JOY 471224	9014109	ESSIC 5924
901244189	JOY 417351	90124631	JOY 471750	90124876	JOY 417171	9014117	ESSIC 470954
901244189	JOY 455154	901246314	JOY 416154	90124880	JOY 481568	9014117	ESSIC 480954
901244191	JOY 417488	90124632	JOY 40140S	90124899	JOY 450068	9014119	ESSIC 417350
901244197	JOY 417490	901246323	JOY 456105	901288	O-M 203025	9014119	ESSIC 455479
901244200	JOY 455336	90124638	JOY 481163	90129204	GMC 710762	9014120	ESSIC 471192
901244202	JOY 418028	90124640	JOY 472029	90129860	GMC 3543	9014123	ESSIC 473215
901244202	JOY 455137	90124641	JOY 417507	9013301025	MERCE 710467	9014128	ESSIC 450185
901244203	JOY 455018	90124641	JOY 455513	90136	WHITE 450066	9014128	ESSIC 473229
901244203	JOY 476470	90124652	JOY 415995	90136	WHITE 473367	9014131	ESSIC 473215
901244213	JOY 417356	90124652	JOY 455013	90136297	GMC 710824	9014141	ESSIC 470189

INTERCHANGE SECTION

COMPETITIVE INTERCHANGES



Mfr No.	Mfr. National	Mfr No.	Mfr. National	Mfr No.	Mfr. National	Mfr No.	Mfr. National
9031134007	TOYOT 710110	9031135069	TOYOT 710806	9031138067	TOYOT 223801	9031141007	TOYOT 710141
9031134008	TOYOT 710109	9031135071	TOYOT 223542	9031138068	TOYOT 710594	9031141008	TOYOT 710114
9031134010	TOYOT 710109	9031135127	TOYOT 223542	9031138072	TOYOT 710716	9031141009	TOYOT 710697
9031134011	TOYOT 710418	9031135128	TOYOT 223542	9031138074	TOYOT 710716	9031141010	TOYOT 710114
9031134012	TOYOT 710110	9031135131	TOYOT 223542	9031138075	TOYOT 223830	9031141011	TOYOT 710114
9031134013	TOYOT 710109	9031136001	TOYOT 223605	9031138076	TOYOT 710715	9031141012	TOYOT 710114
9031134016	TOYOT 710110	9031136004	TOYOT 710343	9031138077	TOYOT 223830	9031141013	TOYOT 710114
9031134017	TOYOT 710109	9031136005	TOYOT 710252	9031138078	TOYOT 223801	9031141123	DAIHA 1950
9031134018	TOYOT 710109	9031136104	TOYOT 223605	9031138079	TOYOT 1177	9031141123	TOYOT 1950
9031134021	TOYOT 710870	9031137002	TOYOT 710139	9031138080	TOYOT 710711	9031142001	TOYOT 2025
9031134022	TOYOT 710704	9031137003	TOYOT 710139	9031138081	TOYOT 223801	9031142003	TOYOT 2025
9031134023	TOYOT 710110	9031138002	TOYOT 710318	9031138082	TOYOT 223830	9031142006	TOYOT 224210
9031134026	TOYOT 710109	9031138003	TOYOT 1177	9031138083	TOYOT 223830	9031142007	TOYOT 2025
9031134028	TOYOT 710109	9031138005	TOYOT 710319	9031138084	TOYOT 223801	9031142008	TOYOT 2025
9031134029	TOYOT 710416	9031138007	TOYOT 1176	9031138087	TOYOT 223830	9031142010	TOYOT 2025
9031134030	TOYOT 710704	9031138009	TOYOT 223840	9031138089	TOYOT 223801	9031142011	TOYOT 2025
9031134034	TOYOT 710109	9031138010	TOYOT 1177	9031138090	TOYOT 710319	9031142012	TOYOT 2025
9031134042	TOYOT 710109	9031138013	TOYOT 710318	9031138091	TOYOT 223801	9031142014	TOYOT 2025
9031134044	TOYOT 710704	9031138014	TOYOT 1176	9031138093	TOYOT 1176	9031142015	TOYOT 2025
9031135001	TOYOT 1108	9031138015	TOYOT 1176	9031138096	TOYOT 710711	9031142016	TOYOT 224210
9031135002	TOYOT 710138	9031138016	TOYOT 710319	9031138098	TOYOT 710711	9031142018	TOYOT 224210
9031135003	TOYOT 1987	9031138017	TOYOT 223801	9031138111	TOYOT 710318	9031142019	TOYOT 2025
9031135004	TOYOT 223542	9031138018	TOYOT 223801	9031138112	TOYOT 710318	9031142021	TOYOT 224205
9031135007	TOYOT 223540	9031138019	TOYOT 1176	9031138124	DAIHA 1176	9031142024	TOYOT 710719
9031135008	TOYOT 1987	9031138020	TOYOT 223830	9031138124	TOYOT 1176	9031142026	TOYOT 2025
9031135010	TOYOT 223540	9031138022	TOYOT 223842	9031138129	TOYOT 223830	9031142027	TOYOT 224205
9031135011	TOYOT 223540	9031138024	TOYOT 710318	9031138133	TOYOT 1177	9031142028	TOYOT 2025
9031135013	TOYOT 1987	9031138025	TOYOT 223801	9031138134	TOYOT 1177	9031142030	TOYOT 2025
9031135014	TOYOT 223540	9031138026	TOYOT 710139	9031138138	TOYOT 710318	9031142031	TOYOT 2025
9031135015	TOYOT 223540	9031138027	TOYOT 1176	9031138140	TOYOT 710319	9031142032	TOYOT 2025
9031135017	TOYOT 1987	9031138028	TOYOT 1177	9031138146	TOYOT 223805	9031142034	TOYOT 2025
9031135018	TOYOT 710419	9031138029	TOYOT 223830	9031138A008	DAEWO 710716	9031142035	TOYOT 2025
9031135019	TOYOT 223540	9031138030	TOYOT 710319	9031140001	TOYOT 710689	9031142036	TOYOT 2025
9031135020	TOYOT 710138	9031138031	TOYOT 223801	9031140002	TOYOT 710689	9031142037	TOYOT 2025
9031135021	TOYOT 1987	9031138032	TOYOT 710319	9031140004	TOYOT 224026	9031142040	TOYOT 710689
9031135022	TOYOT 1987	9031138034	TOYOT 223800	9031140006	TOYOT 224020	9031142045	TOYOT 2025
9031135024	TOYOT 3771	9031138035	TOYOT 1177	9031140010	TOYOT 712551	9031142048	TOYOT 2025
9031135025	TOYOT 1987	9031138036	TOYOT 223801	9031140013	TOYOT 224020	9031142055	DAIHA 224200
9031135026	TOYOT 223540	9031138037	TOYOT 710642	9031140014	TOYOT 710436	9031142055	TOYOT 224200
9031135031	TOYOT 1987	9031138038	TOYOT 710642	9031140020	TOYOT 710436	9031142083	TOYOT 470460
9031135032	TOYOT 710419	9031138039	TOYOT 710139	9031140022	TOYOT 224020	9031143001	TOYOT 710142
9031135033	TOYOT 223540	9031138040	TOYOT 710319	9031140025	TOYOT 710733	9031143004	TOYOT 710615
9031135035	TOYOT 1987	9031138041	TOYOT 223801	9031140026	TOYOT 710731	9031143006	TOYOT 710615
9031135038	TOYOT 710383	9031138042	TOYOT 223840	9031140028	TOYOT 712551	9031143007	TOYOT 710159
9031135040	TOYOT 1987	9031138043	TOYOT 710319	9031140029	TOYOT 712551	9031143008	TOYOT 710159
9031135043	TOYOT 710199	9031138045	TOYOT 223801	9031140030	TOYOT 710733	9031143009	TOYOT 710142
9031135044	TOYOT 710419	9031138046	TOYOT 223801	9031140031	TOYOT 710731	9031143010	TOYOT 710929
9031135045	TOYOT 710806	9031138047	TOYOT 1177	9031140034	TOYOT 710689	9031144001	TOYOT 710525
9031135046	TOYOT 710702	9031138048	TOYOT 1176	9031140036	TOYOT 710733	9031144002	TOYOT 710115
9031135047	TOYOT 710138	9031138049	TOYOT 710823	9031140037	TOYOT 710731	9031144003	TOYOT 710115
9031135048	TOYOT 710702	9031138051	TOYOT 223800	9031140038	TOYOT 712551	9031144004	TOYOT 710115
9031135049	TOYOT 710806	9031138052	TOYOT 1176	9031140041	TOYOT 710731	9031144005	TOYOT 710525
9031135051	TOYOT 710199	9031138057	TOYOT 1176	9031140045	TOYOT 710689	9031144006	TOYOT 710525
9031135054	TOYOT 710702	9031138059	TOYOT 223801	9031140108	TOYOT 224015	9031144007	TOYOT 710525
9031135055	TOYOT 710806	9031138060	TOYOT 223801	9031141001	TOYOT 1180	9031145002	TOYOT 710345
9031135057	TOYOT 710199	9031138062	TOYOT 710319	9031141002	TOYOT 1180	9031145006	TOYOT 710345
9031135058	TOYOT 710419	9031138063	TOYOT 223830	9031141003	TOYOT 1180	9031145011	TOYOT 710345
9031135062	TOYOT 710199	9031138064	TOYOT 223830	9031141004	TOYOT 1180	9031145014	TOYOT 710345
9031135064	TOYOT 710419	9031138065	TOYOT 710713	9031141005	TOYOT 710141	9031145024	TOYOT 710345
9031135065	TOYOT 710199	9031138066	TOYOT 710823	9031141006	TOYOT 710114	9031145026	TOYOT 710345

INTERCHANGE SECTION

COMPETITIVE INTERCHANGES

Mfr No.	Mfr. National	Mfr No.	Mfr. National	Mfr No.	Mfr. National	Mfr No.	Mfr. National
9031145029	TOYOT 710778	9031150023	TOYOT 710112	9031162003	TOYOT 710876	9031189003	TOYOT 710189
9031145032	TOYOT 710778	9031150024	TOYOT 710112	9031162004	TOYOT 710876	9031189005	TOYOT 710871
9031145069	TOYOT 710345	9031150025	TOYOT 710137	9031162005	TOYOT 710876	9031189006	TOYOT 710871
9031145094	DAIHA 710345	9031150026	TOYOT 710732	9031162147	TOYOT 226285	9031189007	TOYOT 710189
9031145094	TOYOT 710345	9031150027	TOYOT 710112	9031163001	TOYOT 1935	9031189010	TOYOT 710189
9031146001	TOYOT 224663	9031150028	TOYOT 710732	9031163002	TOYOT 1935	9031189013	TOYOT 710871
9031146004	TOYOT 224660	9031150029	TOYOT 710112	9031166001	TOYOT 710092	9031189015	TOYOT 710871
9031146006	TOYOT 710931	9031150030	TOYOT 1960	9031166002	TOYOT 226610	9031190002	TOYOT 229010
9031147001	TOYOT 1959	9031150031	TOYOT 710112	9031166003	TOYOT 710092	9031190003	TOYOT 229010
9031147003	TOYOT 710143	9031150032	TOYOT 710732	9031170001	TOYOT 227045	9031190005	TOYOT 229010
9031147008	TOYOT 710784	9031150033	TOYOT 710732	9031170003	TOYOT 227045	9031190006	TOYOT 229005
9031147010	TOYOT 710595	9031150035	TOYOT 710112	9031170004	TOYOT 227045	9031190008	TOYOT 229010
9031147011	TOYOT 710596	9031150036	TOYOT 710732	9031170007	TOYOT 227045	9031192001	TOYOT 229210
9031147012	TOYOT 710596	9031150037	TOYOT 710112	9031170011	TOYOT 710456	9031192003	TOYOT 229210
9031147013	TOYOT 710595	9031150040	TOYOT 710957	9031170075	TOYOT 227045	9031192004	TOYOT 229210
9031147020	TOYOT 710596	9031150042	TOYOT 1994	9031170105	TOYOT 227045	9031192005	TOYOT 229210
9031147021	TOYOT 710595	9031150045	TOYOT 710732	9031170120	TOYOT 227045	9031192006	TOYOT 229210
9031147026	TOYOT 710595	9031150046	TOYOT 710732	9031171001	TOYOT 710554	9031192007	TOYOT 229210
9031147027	TOYOT 710596	9031150047	TOYOT 710112	9031171002	TOYOT 710554	9031192008	TOYOT 229210
9031147029	TOYOT 1959	9031150048	TOYOT 1948	9031175015	TOYOT 710676	9031192009	TOYOT 229210
9031147048	TOYOT 1959	9031150049	DAIHA 225040	9031175016	TOYOT 710676	9031192010	TOYOT 229210
9031148001	TOYOT 224820	9031150049	TOYOT 225040	9031175018	TOYOT 710676	9031195001	TOYOT 4359V
9031148002	TOYOT 224874	9031150050	TOYOT 1948	9031175019	TOYOT 710676	9031195002	TOYOT 4359V
9031148003	TOYOT 224820	9031150052	TOYOT 710112	9031175039	TOYOT 710384	9031195003	TOYOT 4359V
9031148004	TOYOT 710313	9031150053	TOYOT 710112	9031175113	DAIHA 227550	9031195006	TOYOT 710352
9031148007	TOYOT 224872	9031150080	TOYOT 1960	9031175113	TOYOT 227550	9031195007	TOYOT 710352
9031148008	TOYOT 224872	9031150136	TOYOT 1948	9031175114	TOYOT 227550	9031195012	TOYOT 710352
9031148009	TOYOT 224815	9031151008	TOYOT 710265	9031176001	TOYOT 710465	9031195013	TOYOT 710352
9031148010	TOYOT 224820	9031151009	TOYOT 710932	9031176002	TOYOT 710707	9031195091	DAIHA 4359V
9031148012	TOYOT 224872	9031151010	TOYOT 710265	9031176003	TOYOT 710465	9031199001	TOYOT 231004
9031148013	TOYOT 224870	9031152003	TOYOT 710187	9031180001	TOYOT 228010	9031199002	TOYOT 231004
9031148014	TOYOT 710644	9031152005	TOYOT 225275	9031180002	TOYOT 228010	903119900271	TOYOT 231004
9031148016	TOYOT 224810	9031152006	TOYOT 4898	9031180003	TOYOT 228013	9031199003	TOYOT 231004
9031148017	TOYOT 710644	9031152012	TOYOT 4898	9031180004	TOYOT 228010	9031199006	TOYOT 710526
9031148018	TOYOT 224810	9031152013	TOYOT 710187	9031180005	TOYOT 228013	9031199009	TOYOT 710526
9031148020	TOYOT 710644	9031152018	TOYOT 4898	9031180007	TOYOT 228013	9031199010	TOYOT 710639
9031148021	TOYOT 710644	9031152021	TOYOT 471950	9031180008	TOYOT 228013	9031199065	TOYOT 231004
9031148022	TOYOT 224815	9031152022	TOYOT 710187	9031180009	TOYOT 228009	90311A0001	TOYOT 710615
9031148023	TOYOT 224820	9031152059	TOYOT 1955	9031180010	TOYOT 228009	90311A0002	TOYOT 710352
9031148025	TOYOT 224810	9031154001	TOYOT 471950	9031180012	TOYOT 228013	90311A0003	TOYOT 710572
9031148027	TOYOT 224820	9031154003	TOYOT 225410	9031180068	TOYOT 228010	90311A0004	TOYOT 710554
9031148028	TOYOT 224820	9031156006	TOYOT 225673	9031180139	DAIHA 228010	90311A0005	TOYOT 2025
9031148029	TOYOT 710644	9031156007	TOYOT 4899	9031180139	TOYOT 228010	90311A0006	TOYOT 710639
9031148031	TOYOT 710644	9031156008	TOYOT 1993	9031185001	TOYOT 710765	90311A0007	TOYOT 710735
9031148122	TOYOT 224820	9031156014	TOYOT 225678	9031185003	TOYOT 710765	90311A0008	TOYOT 710734
9031149001	TOYOT 4904	9031156015	TOYOT 4899	9031185004	TOYOT 710765	90311A0010	TOYOT 710929
9031149002	TOYOT 710703	9031156016	TOYOT 225673	9031185005	TOYOT 710765	90311A0011	TOYOT 710732
9031149006	TOYOT 710779	9031156017	TOYOT 712938	9031185006	TOYOT 710765	90311A0012	TOYOT 712551
9031150002	HINO 225040	9031156018	TOYOT 1993	9031185007	TOYOT 710765	90311A0013	TOYOT 710707
9031150002	TOYOT 225040	9031156031	TOYOT 4899	9031185008	TOYOT 710765	90311A0014	TOYOT 710711
9031150005	TOYOT 1948	9031157001	TOYOT 1928	9031185009	TOYOT 710765	90311A0016	TOYOT 710871
9031150006	TOYOT 225040	9031157002	TOYOT 1928	9031185010	TOYOT 710765	90311A0018	TOYOT 710711
9031150007	TOYOT 225040	9031158008	TOYOT 710144	9031185046	TOYOT 710765	90311A0020	TOYOT 710871
9031150008	TOYOT 1941	9031158009	TOYOT 710910	9031185106	TOYOT 710765	90311A0026	TOYOT 330385
9031150010	TOYOT 710112	9031158011	TOYOT 710667	9031188001	TOYOT 710188	90311A0027	TOYOT 229210
9031150011	TOYOT 710112	90311600YL	TOYOT 710871	9031188003	TOYOT 710188	90311A0029	TOYOT 712551
9031150013	TOYOT 225040	90311600YM	TOYOT 710711	9031188005	TOYOT 710188	90311A0031	TOYOT 710689
9031150014	TOYOT 710173	9031161001	TOYOT 226150	9031188006	TOYOT 710188	90311C0001	TOYOT 710189
9031150016	TOYOT 1941	9031162001	TOYOT 226285	9031189001	TOYOT 710189	90311C0007	TOYOT 710707
9031150021	TOYOT 225040	9031162002	TOYOT 226285	9031189002	TOYOT 710189	90311C0009	TOYOT 320603

INTERCHANGE SECTION

COMPETITIVE INTERCHANGES



Mfr No.	Mfr. National	Mfr No.	Mfr. National	Mfr No.	Mfr. National	Mfr No.	Mfr. National
90311T0002	<i>TOYOT 710707</i>	90325571	<i>GMC 228008</i>	904485	<i>BADGE 471831</i>	9052824	<i>GMC 712937</i>
90311T0013	<i>TOYOT 710697</i>	90325572	<i>GMC 710237</i>	9044LUP	<i>JN-MN 417541</i>	905301	<i>AVCO 450352</i>
90311T0015	<i>TOYOT 710596</i>	90325572	<i>OPEL 710237</i>	9045LPD	<i>JN-MN 415995</i>	905301	<i>AVCO 472164</i>
90311T0016	<i>TOYOT 710595</i>	9032982	<i>GMC 472439</i>	9045LPD	<i>JN-MN 455013</i>	9053715	<i>GMC 416282</i>
90311T0019	<i>TOYOT 710689</i>	903341	<i>EL-MO 416556</i>	9045LUP	<i>JN-MN 415995</i>	9053962	<i>GMC 370043A</i>
90311T0024	<i>TOYOT 223801</i>	903341	<i>EL-MO 472157</i>	9045LUP	<i>JN-MN 455013</i>	905476C1	<i>SOLAR 472179</i>
90311T0024	<i>TOYOT 710711</i>	903342	<i>EL-MO 417262</i>	9046018	<i>GMC 415234</i>	9054800	<i>GMC 412871</i>
90311T0025	<i>TOYOT 710644</i>	903342	<i>EL-MO 455448</i>	9046020	<i>GMC 450316</i>	9054800	<i>GMC 450329</i>
90311T0028	<i>TOYOT 710159</i>	903379C1	<i>SOLAR 471571</i>	9046020	<i>GMC 472636</i>	905530C1	<i>IH 471267</i>
90311T0029	<i>TOYOT 710689</i>	90342143	<i>GMC 3543</i>	9046310	<i>SPICE 418028</i>	90562	<i>WHITE 450066</i>
90311T0031	<i>TOYOT 2025</i>	903457	<i>EL-PA 416271</i>	9046310	<i>SPICE 455137</i>	90562	<i>WHITE 473367</i>
90311T0032	<i>TOYOT 710644</i>	90348718	<i>GMC 221207</i>	9046315	<i>SPICE 415991</i>	90563	<i>WHITE 450118</i>
90311T0035	<i>TOYOT 710595</i>	90348749	<i>GMC 223830</i>	9046315	<i>SPICE 455146</i>	90563	<i>WHITE 473449</i>
90311T0037	<i>TOYOT 710596</i>	90348749	<i>OPEL 223830</i>	9046316	<i>SPICE 415035</i>	9056LPD	<i>JN-MN 451857</i>
90311T0070	<i>TOYOT 710114</i>	90352111	<i>GMC 228008</i>	9046316	<i>SPICE 455035</i>	9056LUP	<i>JN-MN 451857</i>
90311T0071	<i>TOYOT 710159</i>	90352111	<i>OPEL 228008</i>	904633	<i>SPICE 417344</i>	90570182	<i>GMC 224200</i>
90311W0003	<i>TOYOT 710110</i>	90352112	<i>GMC 228008</i>	904633	<i>SPICE 455006</i>	90570183	<i>GMC 224200</i>
90311W0004	<i>TOYOT 710109</i>	90352112	<i>OPEL 228008</i>	904634	<i>SPICE 412473</i>	90571925	<i>GMC 224200</i>
90311W0011	<i>TOYOT 710707</i>	90354378	<i>GMC 710237</i>	904634	<i>SPICE 415894</i>	90571925	<i>OPEL 224200</i>
90311W0012	<i>TOYOT 710711</i>	90354378	<i>OPEL 710237</i>	904635	<i>SPICE 415449</i>	90574	<i>WHITE 450067</i>
9031223001	<i>TOYOT 710254</i>	9035878	<i>EUCLD 415164N</i>	904635	<i>SPICE 455147</i>	90574	<i>WHITE 473228</i>
9031235002	<i>TOYOT 710178</i>	9035878	<i>GMC 415164N</i>	904636	<i>SPICE 418028</i>	905931	<i>BADGE 472185</i>
9031236001	<i>TOYOT 224015</i>	9036762	<i>GMC 473215</i>	904636	<i>SPICE 455137</i>	906006	<i>LETN 415458</i>
9031240011	<i>TOYOT 224015</i>	9036763	<i>GMC 413247</i>	904637	<i>SPICE 412473</i>	906006	<i>LETN 455003</i>
9031248001	<i>TOYOT 1188</i>	9036763	<i>GMC 450350</i>	904637	<i>SPICE 415894</i>	90601H	<i>IH 340413</i>
9031287001	<i>TOYOT 710569</i>	9036866	<i>GMC 9773</i>	904638	<i>SPICE 471267</i>	906026	<i>LETN 472164</i>
9031295001	<i>TOYOT 710571</i>	90373554	<i>GMC 3667</i>	904639	<i>SPICE 450361</i>	906027	<i>LETN 450352</i>
9031296001	<i>TOYOT 710477</i>	90373554	<i>OPEL 3667</i>	904639	<i>SPICE 472193</i>	906027	<i>LETN 472164</i>
90312A0002	<i>TOYOT 710569</i>	9037454	<i>GMC 450365</i>	90486078	<i>ACDEL 710616</i>	906034C1	<i>SOLAR 470380</i>
90312T0002	<i>TOYOT 710178</i>	9037454	<i>GMC 470898</i>	90486078	<i>GMC 710616</i>	906035	<i>LETN 417171</i>
90312T0004	<i>TOYOT 710254</i>	9037547	<i>GMC 417040</i>	9048LPD	<i>JN-MN 415327</i>	906207	<i>STUDE 411253</i>
903125	<i>BADGE 470380</i>	9037591	<i>GMC 471344</i>	9048LUP	<i>JN-MN 415327</i>	906207	<i>STUDE 450099</i>
9031348001	<i>TOYOT 1956</i>	90386	<i>CHRYL 410308</i>	9049000	<i>GMC 471466</i>	90623	<i>EATON 712937</i>
9031348002	<i>TOYOT 1956</i>	904	<i>UNIVE 415219</i>	904921C1	<i>SOLAR 471407</i>	906250015	<i>SUBAR 225230</i>
9031348005	<i>TOYOT 1956</i>	9040164	<i>GMC 416654</i>	904922C1	<i>SOLAR 471413</i>	906250018	<i>SUBAR 710230</i>
9031354001	<i>TOYOT 710574</i>	9040164	<i>GMC 455012</i>	9049N	<i>TIMKE 9049N</i>	906250020	<i>SUBAR 710463</i>
9031362001	<i>TOYOT 710635</i>	904021	<i>LETN 415483</i>	904G	<i>OSHKO 416476</i>	90626	<i>FI-CO 473228</i>
9031392001	<i>TOYOT 710266</i>	904021	<i>LETN 455368</i>	904G	<i>OSHKO 455075</i>	9062821	<i>GMC 710013</i>
9031393002	<i>TOYOT 710266</i>	904097	<i>BADGE 473228</i>	90501719	<i>GMC 710399</i>	9063043	<i>GMC 417352</i>
90313T0001	<i>TOYOT 710574</i>	9041LPD	<i>JN-MN 450067</i>	90501720	<i>GMC 710824</i>	9063043	<i>GMC 418028</i>
9031628003	<i>TOYOT 710821</i>	9041LPD	<i>JN-MN 473228</i>	90501721	<i>OPEL 3771</i>	9063044	<i>GMC 415991</i>
9031637001	<i>TOYOT 710735</i>	9041LUP	<i>JN-MN 450067</i>	9050644	<i>GMC 416273</i>	9063044	<i>GMC 455146</i>
9031637001	<i>TOYOT 710807</i>	9041LUP	<i>JN-MN 473228</i>	9050712	<i>GMC 450085</i>	906390005	<i>SUBAR 710228</i>
9031640002	<i>TOYOT 710736</i>	9042321	<i>GMC 475384</i>	9050712	<i>GMC 470530</i>	9064421	<i>GMC 710041</i>
9031640003	<i>TOYOT 710736</i>	9042LPD	<i>JN-MN 417191</i>	9050715	<i>GMC 450085</i>	90648	<i>DIVCO 470074</i>
9031640004	<i>TOYOT 710736</i>	9042LPD	<i>JN-MN 455165</i>	9050715	<i>GMC 470530</i>	90648	<i>DIVCO 474265</i>
9031652001	<i>TOYOT 710527</i>	9042LUP	<i>JN-MN 417191</i>	90511282	<i>GMC 221610</i>	906486	<i>EL-MO 415389</i>
9031661001	<i>TOYOT 710528</i>	9042LUP	<i>JN-MN 455165</i>	90511282	<i>SAAB 221610</i>	906489	<i>EL-MO 417171</i>
9031669001	<i>TOYOT 710570</i>	9043356	<i>GMC 6703S</i>	905152	<i>STUDE 471442</i>	90649	<i>DIVCO 450094</i>
9031672001	<i>TOYOT 710573</i>	9043381	<i>GMC 450183</i>	90516AB	<i>CASE 473475</i>	90649	<i>DIVCO 473462</i>
9031683001	<i>TOYOT 710626</i>	9043381	<i>GMC 472179</i>	9051749	<i>EUCLD 410102</i>	906501	<i>GWI 471231</i>
90316A0001	<i>TOYOT 710573</i>	9043451	<i>EUCLD 352541</i>	9051749	<i>GMC 410102</i>	90655	<i>DIVCO 412119</i>
90316A0002	<i>TOYOT 710626</i>	9043451	<i>GMC 352541</i>	9051869	<i>GMC 473458</i>	90655	<i>DIVCO 450101</i>
90316T0002	<i>TOYOT 710573</i>	9043LPD	<i>JN-MN 450301</i>	9051994	<i>GMC 415021</i>	90656	<i>DIVCO 473245</i>
9032	<i>JN-MN 370036A</i>	9043LPD	<i>JN-MN 472397</i>	9052155	<i>WHITE 370001A</i>	9065LUP	<i>JN-MN 472954</i>
903220	<i>EL-PA 450085</i>	9043LUP	<i>JN-MN 450301</i>	9052155	<i>WHITE 380001A</i>	9068	<i>C-R 222340</i>
903220	<i>EL-PA 470530</i>	9043LUP	<i>JN-MN 472397</i>	905215S	<i>WHITE 370001A</i>	9068	<i>SKF 222340</i>
90322669	<i>GMC 710613</i>	9044336	<i>GMC 480210</i>	905215S	<i>WHITE 380001A</i>	907017C1	<i>IH 471647</i>
90322669	<i>OPEL 710613</i>	9044396	<i>GMC 471442</i>	9052358	<i>GMC 415379</i>	907273	<i>WILYS 450441</i>
90322669	<i>SAAB 710613</i>	904483	<i>BADGE 471795</i>	9052413	<i>GMC 455556</i>	907273	<i>WILYS 471341</i>

COMPETITIVE INTERCHANGES

Mfr No.	Mfr.	National	Mfr No.	Mfr.	National	Mfr No.	Mfr.	National	Mfr No.	Mfr.	National
90730	CROWN	416271	91001R91	IH	417316	91172349	GMC	710505	91203PR4004	HONDA	222743
907390	WILYS	450588	91002	KELSE	442251	91172554	GMC	710343	91203PW5015	HONDA	710250
9074R	JN-MN	415449	91002R91	IH	417316	91172563	GMC	223830	91203PW5025	HONDA	710250
9074R	JN-MN	455147	91007	KELSE	417172	91173283	GMC	710523	91203RDK000	HONDA	710721
9076436	GMC	474278	9100801	KELSE	370018A	91173294	GMC	710310	91203RDK003	HONDA	710721
9076436	GMC	480356	9101191	GMC	416239	91173752	GMC	224462	91204PH8000	HONDA	223843
907653	WILYS	350414	91023	FRUEH	370014A	91173941	GMC	710319	91204PH8003	HONDA	223843
907653	WILYS	472311	9102553	GMC	417298	91174333	GMC	710521	91204PH8005	HONDA	223843
9076LPD	JN-MN	471984	91030	HAYES	370352A	91174334	GMC	710520	91204PW5005	HONDA	710722
9076LUP	JN-MN	471984	91030N	HAYES	370352A	91175484	GMC	710310	91205611003	HONDA	710315
9077LPD	JN-MN	472185	91036	CATER	340495	91175954	GMC	223830	91205611005	HONDA	710315
9077LUP	JN-MN	472185	91036	TMTR	340495	91176031	GMC	223540	91205639005	HONDA	710315
9078	EATON	471820	9103939	GMC	417555	91176515	GMC	710520	91205689003	HONDA	4901
9078	TRUK	471820	9105070	GMC	417602	91177421	GMC	710521	91205689005	HONDA	4901
90788	WHITE	416294	910672	STUDE	55419	9118259	GMC	471763	91205P0X005	HONDA	712551
9078B	EATON	412871	9108767	EUCLD	473236	9119951	GMC	417562	91205P25J01	HONDA	710217
9078B	EATON	450329	9108767	GMC	473236	9119952	GMC	415645	91205P4V003	HONDA	710629
9078B	TRUK	412871	910984C1	SOLAR	453165	9119952	GMC	455104	91205PC8931	HONDA	239146
9078B	TRUK	450329	910984C1	SOLAR	471619	91201P6R003	HONDA	712551	91205PC8932	HONDA	239146
9078C	TRUK	412871	911035	C-W	450291	91201PA9003	HONDA	220918	91205PC8934	HONDA	239146
9078C	TRUK	450329	911035	C-W	471141	91201PA9004	HONDA	220918	91205PC8935	HONDA	239146
9079A	EATON	410520	911035	WOOL	450291	91201PC1003	ACURA	221620	91205PC9003	HONDA	223553
9079A	EATON	471272	911035	WOOL	471141	91201PC1003	HONDA	221620	91205PC9005	HONDA	223553
9079A	TRUK	410520	911045	LETN	450352	91201PC1004	ACURA	221620	91205PC9711	HONDA	224045
9079A	TRUK	471272	911045	LETN	472164	91201PC1004	HONDA	221620	91205PE6003	HONDA	223580
908	UNIVE	417606	911046	LETN	472018	91201PCY003	HONDA	710147	91205PE6004	HONDA	223580
9080	DICO	204027	911047	LETN	415281N	91201PCZ003	HONDA	710727	91205PE6005	HONDA	223580
908000002478	MERIX	471466	9110516	GMC	415379	91201PE0003	HONDA	221620	91205PG1003	HONDA	224045
908000002478	ROCKW	471466	9110516	GMC	455379	91201PFMF01	HONDA	710721	91205PL3A00	HONDA	710315
9080331021	TOYOT	710765	9110569	GMC	415836	91201PH3005	HONDA	223843	91205PL3A01	HONDA	710315
9080331022	TOYOT	2025	9110569	GMC	415995	91201PT0003	HONDA	222028	91205PL3A02	HONDA	710315
9080LPD	JN-MN	472354	9110978	GMC	415137	91201PT0004	HONDA	222028	91205PL3B01	HONDA	710598
9080LPD	JN-MN	50395S	9110978	GMC	418028	91201PTO003	HONDA	222028	91205PL3B02	HONDA	710598
9080LUP	JN-MN	472354	9110998	GMC	455584	91201PTO004	HONDA	222028	91205PW5005	ACURA	710147
9080LUP	JN-MN	50395S	911105	LETN	415281N	91201PW5015	HONDA	710173	91205PWR003	HONDA	710629
908109	STUDE	450316	9111307	GMC	410496	91201PWT003	HONDA	712551	91205PX5000	HONDA	710315
908109	STUDE	472636	9111838	GMC	415938	91201PY5003	HONDA	225545	91205PX5003	HONDA	710315
908112	MICH	415219	9111936	GMC	415551	91201PY5005	HONDA	225545	91205PX5005	HONDA	710315
9081125	UNIVE	415219	911216	AMC	410308	91201RDK003	HONDA	710795	91205PY5003	HONDA	710838
90842	WHITE	415001	911216	AMC	450308	91201RJB003	HONDA	710911	91205PY5005	HONDA	710838
90842	WHITE	455001	911216	WILYS	410308	91202107003	HONDA	221510	91205PZ5003	HONDA	223553
908601	EL-MO	417603	911216	WILYS	450308	91202P6R003	HONDA	710629	91205RT4003	HONDA	710914
90870	CROWN	6668S	9112463	GMC	471750	91202PCZ003	HONDA	710396	91206611003	HONDA	710336
9089	OLIVE	450076	9113	ALLCH	472560N	91202PHM003	HONDA	473677	91206611005	HONDA	710336
9089	OLIVE	470334	9113	ALLCH	50151S	91202PW5005	HONDA	710282	91206611005	VILA	710336
9092LPD	JN-MN	416288	9113	TRAC	472560N	91202PWT003	HONDA	710629	91206639005	HONDA	710336
9092LUP	JN-MN	416288	9113	TRAC	50151S	91202PY5003	HONDA	223805	91206689003	HONDA	1147
90940	WHITE	5751	9113848	GMC	416394	91202PY5005	HONDA	223805	91206689005	HONDA	1147
909442	STUDE	415995	9113LPD	JN-MN	471529	91202RDK000	HONDA	710796	91206P0X005	HONDA	712551
909442	STUDE	455013	9113LUP	JN-MN	471529	91202RDK003	HONDA	710796	91206P0Z005	HONDA	710217
9097240040	ISUZU	1987	9113N	NATL	415281N	91203611000	HONDA	222743	91206PC8003	HONDA	1036
9099241490	ISUZU	1949	91143317	VOLVO	4941V	91203611003	HONDA	222743	91206PC8005	HONDA	1036
9099243590	ISUZU	222743	911447R91	IH	473463	91203611004	HONDA	222743	91206PC9711	HONDA	1146
9099245160	ISUZU	1174	911448R91	IH	350954	91203PA5004	HONDA	222743	91206PE6003	HONDA	710314
9099244491	ISUZU	228480	911448R91	IH	470954	91203PFB003	HONDA	222743	91206PE6004	HONDA	710314
90RU21P2	MACK	370020A	911562	STUDE	470120	91203PFB013	HONDA	222743	91206PG2005	HONDA	712551
9173576	SAAB	331227H	911562	STUDE	471224	91203PG6003	HONDA	222743	91206PG9711	HONDA	1036
9173576	SAAB	710580	911600	STUDE	410101N	91203PG6004	HONDA	222743	91206PGJ003	HONDA	710798
9174202	SAAB	3772	9117078	GMC	415449	91203PG6013	HONDA	222743	91206PGJ013	HONDA	710798
91001	KELSE	442109	9117078	GMC	455147	91203PL9015	HONDA	710629	91206PHR003	HONDA	710630

INTERCHANGE SECTION

COMPETITIVE INTERCHANGES



Mfr No.	Mfr.	National	Mfr No.	Mfr.	National	Mfr No.	Mfr.	National	Mfr No.	Mfr.	National
91206PK4003	HONDA	224066	91212679014	HONDA	223010	91213P8AA00	HONDA	710451	91214PL2003	HONDA	228008
91206PK5003	HONDA	224063	91212P01003	HONDA	710332	91213P8AA01	HONDA	710451	91214PL2004	HONDA	228008
91206PK5005	HONDA	224063	91212P01004	HONDA	710332	91213PC6000	HONDA	320595	91214PLE003	HONDA	228015
91206PL3A00	HONDA	223553	91212P06A01	HONDA	710332	91213PC6003	HONDA	320595	91214PLZD00	HONDA	710613
91206PL3A01	HONDA	4901	91212P0A003	HONDA	224053	91213PC6004	HONDA	320595	91214PMVT01	HONDA	228015
91206PL3A02	HONDA	4901	91212P0A004	HONDA	224053	91213PD2004	HONDA	320595	91214PNA014	HONDA	228008
91206PL6003	HONDA	710315	91212P2FA01	HONDA	710332	91213PD6000	HONDA	320595	91214PR4A00	HONDA	228015
91206PL6005	HONDA	710315	91212P7A004	HONDA	710332	91213PE1721	HONDA	320595	91214PR4A01	HONDA	228015
91206PN0013	HONDA	4901	91212P8AA01	HONDA	711181	91213PE1722	HONDA	320595	91214PWA003	HONDA	228008
91206PR8005	HONDA	224068	91212PA5004	HONDA	710329	91213PH1003	HONDA	320595	91214PWAY01	HONDA	228008
91206PW5015	HONDA	710598	91212PAAA01	HONDA	224053	91213PH1004	HONDA	320595	91214PX3003	HONDA	228008
91206PX5000	HONDA	710677	91212PAAA02	HONDA	224053	91213PH1013	HONDA	320595	91214PY3003	HONDA	228008
91206PX5003	HONDA	710677	91212PC6003	HONDA	710331	91213PH7000	HONDA	713771	91214R11A01	HONDA	228008
91206PX5005	HONDA	710677	91212PC6004	HONDA	710331	91213PH7003	HONDA	710329	91214R70A01	HONDA	710614
91206PY4003	HONDA	710298	91212PCX003	HONDA	710608	91213PH7004	HONDA	710329	91214R9PA01	HONDA	710614
91206PY4004	HONDA	710298	91212PD2004	HONDA	710331	91213PH7013	HONDA	710329	91214RB0003	HONDA	228008
91206RCT003	HONDA	710630	91212PD6A01	HONDA	710332	91213PL2003	HONDA	710329	91214RBB003	HONDA	710614
91206RT4003	HONDA	710913	91212PE0000	HONDA	710332	91213PR3003	HONDA	710460	91214RCAA01	HONDA	710614
91206ZV4003	HONDA	221820	91212PE0003	HONDA	710332	91213PR3004	HONDA	710460	91214REOH01	HONDA	228008
91206PC9003	HONDA	1147	91212PE0662	HONDA	710332	91213PR3013	HONDA	710460	91214RKG003	HONDA	710614
91206PC9005	HONDA	1147	91212PE1721	HONDA	710332	91213PR7A01	HONDA	710460	91214RNBA01	HONDA	228008
91207639005	HONDA	350609	91212PG7A01	HONDA	710332	91213PT0003	HONDA	712008	91214RTA004	HONDA	228008
91207639015	HONDA	350609	91212PH1003	HONDA	710331	91213PT0004	HONDA	712008	91214RZA004	HONDA	228008
91207P0X003	HONDA	350609	91212PH1004	HONDA	710331	91213PT0014	HONDA	712008	91214RZYA01a	HONDA	228008
91207P0X004	HONDA	350609	91212PH1013	HONDA	710331	91213PY3003	HONDA	710730	9121414	GMC	455018
91207P4V003	HONDA	710445	91212PH1661	HONDA	710331	91213PY3004	HONDA	710730	9121414	GMC	476470
91207P4V004	HONDA	710445	91212PH7013	HONDA	711181	91213R70A01	HONDA	710451	91214PT0004	HONDA	228015
91207P56003	HONDA	350609	91212PJ5003	HONDA	1120	91213R70A02	HONDA	710451	91215PG2005	HONDA	221607
91207P7Z003	HONDA	350609	91212PJ5013	HONDA	1120	91213R9PA01	HONDA	710451	91215PHR003	HONDA	221820
91207PG4005	HONDA	350609	91212PLC003	HONDA	710834	91213RCAA01	HONDA	710451	91215PK5000	HONDA	221607
91207PH8000	HONDA	710197	91212PLC004	HONDA	710834	91213RKG003	HONDA	710451	91215PR8005	HONDA	710299
91207PH8005	HONDA	710110	91212PLMA01	HONDA	710834	91213RP6A01	HONDA	710451	91216689003	HONDA	222540
91207PHT003	HONDA	710805	91212PM7003	HONDA	710332	912145A2A01	HONDA	228008	91216689005	HONDA	222540
91207PR0000	HONDA	350609	91212PNC003	HONDA	710608	91214P2FA01	HONDA	228015	91216PG1003	HONDA	710157
91207PR0003	HONDA	350609	91212PNC004	HONDA	710608	91214P5AA01	HONDA	228008	91216PG1005	HONDA	710157
91207PR9003	HONDA	710868	91212PR3003	HONDA	710834	91214P6AA01	HONDA	228008	91216PH8003	HONDA	222830
91207PWR003	HONDA	710805	91212PR4A01	HONDA	710834	91214P7A004	HONDA	228009	91216PH8005	HONDA	222830
91207PY4004	HONDA	710868	91212PR7A01	HONDA	711181	91214P8AA01	HONDA	228015	91216PHR003	HONDA	710816
91207RT4003	HONDA	710912	91212PR9A01	HONDA	710834	91214PAAA01	HONDA	228009	91216PL3003	HONDA	710399
91208515015	HONDA	220860	91212PR9A11	HONDA	710834	91214PAAA02	HONDA	228015	91216PL3005	HONDA	710399
91208551015	HONDA	220860	91212PT0003	HONDA	224053	91214PC6003	HONDA	228015	91216PL6003	HONDA	222028
91208689000	HONDA	220860	91212PWA003	HONDA	711005	91214PC6013	HONDA	228015	91216PMZD40	HONDA	222835
91208689005	HONDA	220860	91212PY3003	HONDA	711181	91214PC7003	HONDA	228015	91216PR8005	ACURA	223235
91208MS2611	HONDA	220860	91212R11A01	HONDA	710608	91214PCX003	HONDA	228008	91216PC8003	HONDA	222742
91208PG1003	HONDA	710297	91212R1BA01	HONDA	710608	91214PD2004	HONDA	228015	91216PC8005	HONDA	222742
91208PG1005	HONDA	710297	91212R40A01	HONDA	710608	91214PE1003	HONDA	228015	91220PLZD00	HONDA	710308
91209612000	HONDA	221207	91212R70A01	HONDA	711181	91214PE1721	HONDA	228015	91233PT0003	HONDA	712009
91209612003	HONDA	221207	91212R70A02	HONDA	711181	91214PH1003	HONDA	228015	912399	WILYS	340797
91209612005	HONDA	221207	91212R9PA01	HONDA	711181	91214PH1004	HONDA	228015	91249P02003	HONDA	221820
91209PCY003	HONDA	710690	91212RB0003	HONDA	711005	91214PH1013	ACURA	228015	91249POA003	HONDA	221820
91209PY4003	HONDA	225885	91212RB0004	HONDA	711005	91214PH1013	HONDA	228015	91249PGM003	HONDA	221820
9120LUP	JN-MN	472492	91212RBDE01	HONDA	710608	91214PH1660	HONDA	228015	91249PY3003	HONDA	221820
912113	MICH	415871	91212RBDE02	HONDA	710608	91214PH1661	ACURA	228015	91250SB0013	HONDA	1936
9121137	UNIVE	415871	91212RCAA01	HONDA	711181	91214PH1661	HONDA	228015	91250SB0025	HONDA	1936
9121259B003	HONDA	710608	91212RCAA02	HONDA	711181	91214PH3751	HONDA	228015	91250SB0015	HONDA	1936
912125A2A01	HONDA	710608	91212RCAAA0	HONDA	711181	91214PH7003	HONDA	228008	91250SB0023	HONDA	1936
912125A2A02	HONDA	710608	91212RNAA01	HONDA	710608	91214PH7004	HONDA	228008	91251692003	HONDA	1943
91212611003	HONDA	710329	91212RTA003	HONDA	710608	91214PH7013	HONDA	228008	91251692005	HONDA	1943
91212611004	HONDA	710329	91213P2FA01	HONDA	320595	91214PHM003	HONDA	710610	91251692006	HONDA	1943
91212611010	HONDA	710329	91213P6AA01	HONDA	710451	91214PHM013	HONDA	710610	91251692013	HONDA	1943

INTERCHANGE SECTION

COMPETITIVE INTERCHANGES

INTERCHANGE SECTION

Mfr No.	Mfr.	National	Mfr No.	Mfr.	National	Mfr No.	Mfr.	National	Mfr No.	Mfr.	National
91251692015	HONDA	1943	9125880	GMC	417262	912811	FALKC	455186	914099	ESSIC	240816
91251SA5003	HONDA	710337	9125880	GMC	455448	912818	FALKC	416888	9141	HYST	450084
91251SA5005	HONDA	710337	912596	FALKC	417191	912818	FALKC	455200	914154	ESSIC	473460
91251SB0003	HONDA	710148	912596	FALKC	455165	912820	FALKC	476470	914167	CHRY	473457
91251SB0005	HONDA	710148	912599	FALKC	470328	912822	FALKC	415379	9142002	GMC	416077
91251SB0013	HONDA	710148	912599	FALKC	481213	912822	FALKC	455379	914201	ESSIC	450154
91251SB0015	HONDA	710148	91260SD9003	HONDA	710147	912823	FALKC	416107	914201	ESSIC	473234
91252500000	HONDA	223542	91260SD9004	HONDA	710147	912823	FALKC	455073	914207	ESSIC	472041
91252634003	HONDA	1953	91260SD9013	HONDA	710147	912824	FALKC	416865	914207	ESSIC	473454
91252634005	HONDA	1953	91260SD9014	HONDA	710147	912824	FALKC	455070	914209	ESSIC	471765
91252692003	HONDA	494117	91260SD9023	HONDA	710147	912826	FALKC	472397	914234	ESSIC	473215
91252692005	HONDA	494117	91260SL0004	HONDA	710160	912827	FALKC	417603	914235	ESSIC	472299
91252692083	HONDA	494117	91260SR3003	HONDA	710300	912828	FALKC	415871	914281	ESSIC	417354
91252692930	HONDA	710097	91260SR3004	HONDA	710300	912829	FALKC	415836	9143287	VOLVO	4941V
91252692931	HONDA	710097	91260SR3004	ISUZU	710300	912829	FALKC	415995	91432870	VOLVO	4941V
91252SB2013	HONDA	473367	912603	FALKC	471652	912830	FALKC	415991	91432872	VOLVO	4941V
91252SB2014	HONDA	473367	912603	MIX	471652	912830	FALKC	415991N	9143317	VOLVO	4941V
91252SC2013	HONDA	224210	91262MA0040	HONDA	221510	912831	FALKC	417254	91433177	VOLVO	4941V
91252SC2015	HONDA	224210	91262MA1000	HONDA	221510	912832	FALKC	415294	9143885	VOLVO	713087
91253663003	HONDA	224252	91262SD9003	HONDA	710292	912832	FALKC	455294	91438853	VOLVO	713087
91253663005	HONDA	224252	91262SD9004	HONDA	710292	912833	FALKC	416239	9143911	VOLVO	710794
91253663013	HONDA	224250	91262SE0000	HONDA	710161	912834	FALKC	455121	91439117	VOLVO	710794
91253663015	HONDA	224252	91262SE0003	HONDA	710161	912839	FALKC	417600	9144LPD	JN-MN	413247
912540	FALKC	470064	91262SE0004	HONDA	710161	912840	FALKC	417158	9144LPD	JN-MN	450350
912540	FALKC	471821	91262SH3000	HONDA	710159	912840	FALKC	455355	9144LUP	JN-MN	413247
912540	MIX	470064	91262SH3003	HONDA	710159	9128434	GMC	471270	9144LUP	JN-MN	450350
912540	MIX	471821	91262SL5003	ACURA	710287	912846	FALKC	415001	91474	AM WH	416107
912541	FALKC	50266	91262SL5003	HONDA	710287	912848	FALKC	415867	91474	AM WH	455073
912541	MIX	50266	91262SL5004	ACURA	710287	912849	FALKC	473230	91474	CHRY	471413
912542	MIX	413247	91262SL5004	HONDA	710287	9128S	TIMKE	9128S	914879	STUDE	450025
912542	MIX	450350	91262SP0003	ACURA	1180	9129717	GMC	416158	914879	STUDE	471553
912543	FALKC	417159	91262SP0003	HONDA	1180	912978	FALKC	417357	914972	WILYS	450441
912543	MIX	417159	91262SP0004	ACURA	1180	9129S	MINNM	450115	914972	WILYS	471341
912544	FALKC	415498	91262SP0004	HONDA	1180	9129S	MINNM	473467	914983	STUDE	5976S
912544	MIX	415498	912628	FALKC	450361	913	SPICE	473215	9149964	SAAB	331227H
912545	FALKC	455037	912628	FALKC	472193	91331	IH	473225	9149964	SAAB	710580
912545	MIX	455037	912677	FALKC	416229	913348	STUDE	412119	9149LPD	JN-MN	411394
912546	FALKC	415138	912682	FALKC	471801	913348	STUDE	450101	9149LPD	JN-MN	450317
912546	MIX	415138	912713R91	IH	6808N	91352	TMTR	471267	9149LUP	JN-MN	411394
912547	FALKC	416107	912735	FALKC	415219	9137291	GMC	471689	9149LUP	JN-MN	450317
912547	FALKC	455073	912741	FALKC	415991	9137381	GMC	415991	915005C1	SOLAR	472179
912547	MIX	416107	912741	FALKC	415991N	913763	CHRY	455079	9150S	TIMKE	9150S
912547	MIX	455073	912748	FALKC	471419	91377	CHRY	240009	9151994	GMC	415437
912548	FALKC	417210	912748	FALKC	473367	91378	CHRY	471424	9151994	GMC	455173
912549	FALKC	417606	912749	FALKC	470351	913792	STUDE	455195	9151LPD	JN-MN	415041
91255273000	HONDA	1172	912757	FALKC	417316	913792	STUDE	472157	9151LUP	JN-MN	415041
91255SL0000	HONDA	710293	912758	FALKC	415995	91384749	GMC	6712NA	9152466	GMC	412861
912550	FALKC	415077	912760	FALKC	415035	914924	ELRNG	710289	915263	WILYS	450494
912551	FALKC	416229	912760	FALKC	475845	914932	ELRNG	710288	915263	WILYS	472164
912553	FALKC	415219	912761	FALKC	416888	9140040	GMC	473227	915263X	WILYS	450494
912554	FALKC	417604	912763	FALKC	416107	914005	ESSIC	471529	915263X	WILYS	472164
912557	FALKC	471138	912776	FALKC	412473	9140112	GMC	455249	915264	WILYS	415991
912558	FALKC	417350	912776	FALKC	415894	914023	ESSIC	41787S	915264	WILYS	455146
912558	FALKC	455479	912782	FALKC	416666	914035	ESSIC	470059	915264X	WILYS	415991
912559	FALKC	415234	912791	FALKC	416556	914035	ESSIC	470380	915264X	WILYS	455146
912560	FALKC	450082	912791	FALKC	472157	914043	ESSIC	470351	9152781	GMC	415991
912560	FALKC	473238	912794	FALKC	413247	914043	ESSIC	471504	9152781	GMC	415991N
912561	FALKC	455079	912795	FALKC	415498	914049	ESSIC	450117	9152LPD	JN-MN	471564
912562	FALKC	410102	912796	FALKC	415150	914049	ESSIC	472572	9152LUP	JN-MN	471564
912573	FALKC	416313	912810	FALKC	411245	914060	ESSIC	471341	9153174	GMC	455584

COMPETITIVE INTERCHANGES



Mfr No.	Mfr. National	Mfr No.	Mfr. National	Mfr No.	Mfr. National	Mfr No.	Mfr. National
9153476	GMC 343185	9175976	GMC 455013	9200	HR-DV 471224	9208405	EUCLD 416921
9153486	GMC 473215	9178S	TIMKE 9178S	92007	MCCOR 5751	9208405	GMC 416921
9153892580	MERCE 223230	918083	WILYS 472015	920110	LUF 471647	9208405	GMC 455011
9153892580	RENAU 223230	9180LPD	JN-MN 450177	920140	LUF 410163	92085	MCCOR 55028
915497	CHRY5 416273	9180LUP	JN-MN 450177	920140	LUF 471766	9208522	GMC 415988
915499	CHRY5 417485	9181LUP	JN-MN 3395	92017	MCCOR 455249	92086	MCCOR 416125
915561	CHRY5 6835S	9182LPD	JN-MN 415995	92022	MCCOR 415035	920860	LUF 415551
9156004	GMC 416921	9182LPD	JN-MN 455013	92022	MCCOR 455035	92087	MCCOR 55030
9156004	GMC 455011	9182LUP	JN-MN 415995	92025	MCCOR 415196	9208737	EUCLD 416381
9156020	GMC 473243	9182LUP	JN-MN 455013	92026	MCCOR 415034	9208737	GMC 416381
915664	WILYS 2064	9183971	VOLVO 710728	92026	MCCOR 455034	92088	MCCOR 416339
9158953	GMC 40401	918405	AMC 415960	92027	MCCOR 416345	92088	MCCOR 455031
91595110	CITRO 229005	918405	WILYS 415960	92027	MCCOR 455033	92089	MCCOR 415036
9159LPD	JN-MN 417273	918405	WILYS 455009	92028	MCCOR 455022	92090	MCCOR 416891
9159LUP	JN-MN 417273	918579C1	SOLAR 472397	92029	MCCOR 455134	92091	MCCOR 415150
9160997	GMC 417343	9186LUP	JN-MN 471647	92030	MCCOR 415027	92092	MCCOR 417196
9161	TIMKE 9161	91870273	SOLAR 471413	92033	MCCOR 415437	92093	MCCOR 416047
916115	MICH 417606	918702C1	SOLAR 471413	920330	LUF 417316	92093	MCCOR 416332
9161150	UNIVE 417606	9187258	GMC 415013	920330	LUF 455004	92094	MCCOR 417205
9161942	GMC 416921	9187258	GMC 415995	920400	LUF 415304	92095	MCCOR 417504
9161942	GMC 455011	918741	WILYS 470088	920400	LUF 476470	92096	MCCOR 417211
916380	WILYS 40652S	9187LPD	JN-MN 453165	92041	MCCOR 415437	92097	MCCOR 455186
916401	CABOT 415294	9187LPD	JN-MN 471619	92041	MCCOR 455173	92098	MCCOR 415187
916401	CABOT 455294	9187LUP	JN-MN 453165	92042	MCCOR 415023	92099	MCCOR 417356
916402	CABOT 417205	9187LUP	JN-MN 471619	92050	WHITE 415960	92099	MCCOR 455188
9164632	SPICE 415483	9188401	GMC 416102	92050	WHITE 455009	9209BPD	JN-MN 455584
9164632	SPICE 455368	9188402	GMC 8724S	9205211	OPEL 223552	92100	MCCOR 417357
9164631	SPICE 413246	9188LPD	JN-MN 415302	92059	MCCOR 415023	92100	MCCOR 455192
9164631	SPICE 413246N	9188LUP	JN-MN 415302	92059LPD	JN-MN 415025	9210010	COC 472258
9165LPD	JN-MN 416666	9189LPD	JN-MN 450117	9205LUP	JN-MN 415025	9210010	WHITE 472258
9165LUP	JN-MN 416666	9189LPD	JN-MN 472572	92060272	GMC 710824	9210080	COC 471231
916642	CABOT 417344	9189LUP	JN-MN 450117	92064	CHRY5 450083	9210080	WHITE 471231
916649	CABOT 476470	9189LUP	JN-MN 472572	92064	CHRY5 472924	9210090	COC 471192
916650	CABOT 472179	919084C1	SOLAR 453165	92065	CHRY5 471466	9210090	MINNM 471192
916651	CABOT 415013	919084C1	SOLAR 471619	9206599	GMC 410312N	9210090	WHITE 471192
916651	CABOT 415995	91909	IH 470712	9206601	GMC 415137	92101	MCCOR 455195
916654	CABOT 415991	9190LPD	JN-MN 473240	9206601	GMC 418028	92101	MCCOR 472157
916654	CABOT 415991N	9190LUP	JN-MN 473240	9206856	EUCLD 473243	9210120	COC 411394
916655	CABOT 472439	9190N	NATL 3604	9206856	GMC 473243	9210120	COC 450317
916656	CABOT 415034	919250	CHRY5 3210	9206858	EUCLD 417343	9210120X	COC 411394
916657	CABOT 415725	919277	CHRY5 493291	9206858	GMC 417343	9210120X	COC 450317
916658	CABOT 410316	919345	CATER 417598	9207074	GMC 416102	921015C1	IH 472924
916658	CABOT 472636	9193LPD	JN-MN 417490	9207290	EUCLD 415035	92101S	MCCOR 485195H
916662	CABOT 415683	9193LUP	JN-MN 417490	9207290	GMC 415035	92102	MCCOR 416888
916720	GWI 415234	9195848	GMC 455655	9207290	GMC 475845	92102	MCCOR 455200
9168004	GMC 417273	9195902	EUCLD 416383	920748X1	IH 415938	92104	MCCOR 415263
9168LPD	JN-MN 472070	9195902	GMC 416383	92076	MCCOR 415036	92105	MCCOR 55353
9168LUP	JN-MN 472070	919607	WILYS 6808N	92077	MCCOR 416891	92106	MCCOR 415394
9169	FULLE 240731	91D1175	FORD 410987	9207726	GMC 415052	92107	MCCOR 415437
916968	WILYS 6988H	91D1175	FORD 450103	92078	MCCOR 417205	92107207	COC 417352
917015001	CLARK 471344	91T119	KELSE 5924	9207835	EUCLD 417602	92107207	COC 418028
917032	WILYS 240816	91T1190	FORD 5924	9207835	GMC 417602	92107407	COC 200354
9170LPD	JN-MN 416888	91T1190	KELSE 5924	9207895	GMC 415938	9210750	WHITE 472185
9170LPD	JN-MN 455200	91X6113	GARLK 340495	92079	MCCOR 415035	92107507	COC 450070
9170LUP	JN-MN 416888	91X6279	GARLK 340817	92081	MCCOR 415021	92107507	COC 472185
9170LUP	JN-MN 455200	91X9518	GARLK 441130	92082	MCCOR 415025	9210950	WHITE 473215
9171LPD	JN-MN 471887	91X9722	GARLK 340136	92083	MCCOR 455026	9210969	GMC 8724S
9171LUP	JN-MN 471887	91ZT7048A1A	FORD 222742	9208350	GMC 417344	9211020	WHITE 416888
9175902	SAAB 3772	91ZT7288A2A	FORD 221620	92084	MCCOR 415027	9211080	WHITE 471763
9175976	GMC 415995	9200	HR-DV 470120	92084	MCCOR 455027	9211347	GMC 415146

INTERCHANGE SECTION

COMPETITIVE INTERCHANGES

Mfr No.	Mfr.	National	Mfr No.	Mfr.	National	Mfr No.	Mfr.	National	Mfr No.	Mfr.	National
9211347	GMC	415991	92195	MCCOR	455858	923896	WILYS	450185	928704	CHRYIS	415147
92114	WHITE	450082	92196	MCCOR	415379	923896	WILYS	473229	928704	CHRYIS	415449
92114	WHITE	473238	92197	MCCOR	415379	92390	WHITE	415001	928831	ALLCH	415150
9212	TMTR	40071S	92198	MCCOR	415379	92390	WHITE	455001	928854	ALLCH	470774
92122	MCCOR	415142	92198	MCCOR	455379	924	CALI	415219	928855	ALLCH	415458
92125	MCCOR	417210	92199	MCCOR	45187S	9240	CALI	415219	92894	CATER	J1123
92126	MCCOR	417355	9219LPD	JN-MN	471255	9240LPD	JN-MN	470954	92894	TMTR	J1123
92127	MCCOR	455189	9219LUP	JN-MN	471255	9240LUP	JN-MN	470954	92895	CATER	412473
9212SS	JN-MN	43080S	922	SUL	416153	9241134	GMC	471652	92895	CATER	415894
9213	TMTR	473215	922034R91	IH	410519	9241256	EUCLD	415938	92895	TMTR	412473
92130	MCCOR	7208S	922034R91	IH	471271	9241256	GMC	415938	92895	TMTR	415894
92131	MCCOR	6270	92204	MCCOR	6565N	9243	C-R	340787	928M6701B5A	FORD	3772
92133	MCCOR	416556	92205	AM WH	456105	9243	SKF	340787	928M6K292B2A	FORD	710550
92133	MCCOR	472157	92205	MCCOR	455194	9243143	EUCLD	471341	928M6K292B2B	FORD	710550
92135	MCCOR	45031S	92206	MCCOR	2055	9243143	GMC	471341	928M6K292B5B	FORD	710550
92136	MCCOR	415379	92208	MCCOR	370015A	9244	C-R	471015	928M6700B2A	FORD	3771
92136	MCCOR	455379	92209	MCCOR	416891	9244	SKF	471015	928M6701B2A	FORD	3772
92137	MCCOR	417498	92210	MCCOR	415036	924432	CHRYIS	480630	9290LPD	JN-MN	415327
921428C1	IH	472015	92211	MCCOR	7354N	925	CALI	416154	929230	ALLCH	450463
92145	MCCOR	417506	92214	MCCOR	442109	9250	CALI	416154	9292LPD	JN-MN	416657
9214517	GMC	416865	922140	WILYS	340495	9251463	GMC	40389S	929462	ALLCH	204013
92146	MCCOR	455024	92216	MCCOR	7300S	925172R91	IH	370007A	9298	C-R	471571
92148	MCCOR	370002A	92217	MCCOR	2218	925173R91	IH	370007A	9298	SKF	471571
92149	MCCOR	455037	92218	MCCOR	455037	925180	WILYS	8430S	9298802	GMC	8460N
92150	MCCOR	416130	92219	MCCOR	417513	92536	C-R	415219	92TM6701A1A	FORD	3393
92152	MCCOR	415295	92220	MCCOR	455200N	92536	SKF	415219	92TM6701A2A	FORD	3393
92155	MCCOR	415697	92221	MCCOR	455200N	92541	CHRYIS	6835S	92X213	GARLK	351267
92155	MCCOR	455547	92222	MCCOR	7692S	92542	WHITE	472394	92X213	GARLK	471267
921584	CHRYIS	410987	92223	MCCOR	455035N	9255535	TERX	416394	92X6100	GARLK	471760
921584	CHRYIS	450103	92224	MCCOR	327303	9256879	GMC	412871	92X6113	GARLK	1049
921584	GMC	410987	92225	MCCOR	455197N	9257386	GMC	416257	92X6169	GARLK	471652
921584	GMC	450103	92225	WHITE	415086N	926162	CHRYIS	471554	92X7518	GARLK	471766
92159	MCCOR	417494	92225	WHITE	417487	92631	WHITE	416654	92X7521	GARLK	6668S
921599	MIX	470328	92226	MCCOR	335924N	92631	WHITE	455012	92X9502	GARLK	6863S
921599	MIX	481213	92228	MCCOR	8549S	92648	WHITE	450467	92X9509	GARLK	471264
9216177	GMC	472439	92230580	GMC	710888	926633	CHRYIS	6597S	92X9515	GARLK	351267
92163	MCCOR	415711	92230584	GMC	710866	926741	CHRYIS	471689	92X9515	GARLK	471267
92166	MCCOR	415437	92230620	GMC	710864	927283	ALLCH	417474	92X9528	GARLK	6668S
92168	MCCOR	6638S	92230622	GMC	710542	927367	CHRYIS	410308	92X9530	GARLK	472213
92170	MCCOR	417353	922309	WOOL	455576	9273LPD	JN-MN	471737	93020	GROVE	416891
92171	MCCOR	415379	922409	CHRYIS	470403	9273LUP	JN-MN	471737	9303	C-R	471571
92172	MCCOR	417211	922409	CHRYIS	470774	92742	WHITE	450083	9303	SKF	471571
92173	MCCOR	455191	9224454	GMC	472397	92742	WHITE	472924	9304	C-R	471571V
92174	MCCOR	415035	92245	WHITE	50528	9274473	GMC	417082	9304	SKF	471571V
92174	MCCOR	415953	922474R91	IH	475380N	927645	WILYS	340413	930428	ALLCH	415304
92175	MCCOR	6612S	92298	CHRYIS	410101N	9276LPD	JN-MN	471705	930428	ALLCH	476470
92180	MCCOR	416888	9234	ALLCH	471570	9276LUP	JN-MN	471705	9304LUP	JN-MN	416239
92182	MCCOR	417355	9234555	GMC	416107	92774	WHITE	415960	930569C1	IH	417278
92182	MCCOR	485497	9235168	EUCLD	415035	927888	ALLCH	473212	930570C1	IH	416039
92186	MCCOR	6864S	9235168	EUCLD	415953	927889	ALLCH	471763	9305LPD	JN-MN	481397
92189	MCCOR	417210	9235168	GMC	415035	927890	ALLCH	415023	9305LUP	JN-MN	481397
9218LPD	JN-MN	473473	9235168	GMC	415953	92794	WHITE	475009N	93068	WHITE	418028
9218LUP	JN-MN	473473	9235169	EUCLD	410085	927946	ALLCH	473016	93068	WHITE	455137
92190	MCCOR	455019	9235169	EUCLD	470530	927947	ALLCH	471424	9307	C-R	471647
92191	MCCOR	417354	9235169	GMC	410085	927948	ALLCH	415281N	9307	SKF	471647
92192	MCCOR	417493	9235169	GMC	470530	927965C1	IH	455200N	930836	ALLCH	450084
92193	MCCOR	417495	9235444	GMC	J1107	92805801	ALLCH	417247	930838	ALLCH	417278
9219362	EUCLD	416158	9235446	GMC	J1128	928283	ALLCH	472826	93088	WHITE	418028
9219362	GMC	416158	923561C1	IH	471341N	928436	ALLCH	415854	93088	WHITE	455137
92194	MCCOR	327303	9237R	JN-MN	470954	9284365	ALLCH	415854	9309204	SAAB	331227H

INTERCHANGE SECTION

COMPETITIVE INTERCHANGES



Mfr No.	Mfr. National	Mfr No.	Mfr. National	Mfr No.	Mfr. National	Mfr No.	Mfr. National
9309204	SAAB 710580	9343SS	JN-MN 453182	938151	WILYS 8430S	940010032	WHITE 386025A
93095	WHITE 417159	93441	WHITE 455018	93823	CATER 471737	940010034	WHITE 370003A
931030	ALLCH 471341	93441	WHITE 476470	93823	TMTR 471737	940010034	WHITE 380003A
93103001	ALLCH 471341	9344S	TIMKE 9344S	93824	CATER 416557	940010038	WHITE 370048A
931031	ALLCH 473423	9345LPD	JN-MN 450301	938963C1	IH 417254	940010038	WHITE 370182A
93103101	ALLCH 473423	9345LPD	JN-MN 472397	938964C1	IH 415551	940010038	WHITE 380048A
931041	ALLCH 481181	9345LUP	JN-MN 450301	93921	CATER 473237	940010001	WHITE 370048A
931041	ALLCH 481181N	9345LUP	JN-MN 472397	93921	TMTR 473237	940010001	WHITE 370182A
9310S	MINNM 450085	9347	C-R 472951	939334	WILYS 410308	940010001	WHITE 380048A
9310S	MINNM 470530	9347	C-R 474252	939334	WILYS 450308	940010003	WHITE 370121A
93113	REULD 474255	9347	SKF 472951	939335	WILYS 410308	940010004	WHITE 370001A
93115	REULD 471413	9347	SKF 474252	939335	WILYS 450308	940010004	WHITE 380001A
93117	REULD 471835	934E	CALI 416892	9394LPD	JN-MN 450444	940010005	WHITE 370048A
93118	REULD 473224	934J	CALI 7354N	9394LPD	JN-MN 471835	940010005	WHITE 370182A
93123	REULD 450291	9350158	SAAB 3772	9394LUP	JN-MN 450444	940010005	WHITE 380048A
93123	REULD 471141	93506	AMC 240151	9394LUP	JN-MN 471835	940010006	WHITE 370025A
931483	ALLCH 416282	93515R91	IH 450082	939558C91	IH 415938	940010006	WHITE 380025A
9314831	ALLCH 416282	93515R91	IH 473238	9395LPD	JN-MN 473236	940010006	WHITE 386025A
931484	ALLCH 416664	93516R91	IH 470059	9395LUP	JN-MN 473236	940010007	WHITE 370120A
931504	ALLCH 472324	93516R91	IH 470380	9396LPD	JN-MN 450094	940010010	WHITE 370001A
9316	TIMKE 9316	93517R91	IH 450085	9396LPD	JN-MN 473462	940010010	WHITE 380001A
9316171	ALLCH 471835	93517R91	IH 470530	9396LUP	JN-MN 450094	940010011	WHITE 370006A
931634	AMC 470351	93518	AMC 474278	9396LUP	JN-MN 473462	940010013	WHITE 370006A
93183611	GMC 710699	93518	AMC 480356	939734	AMC 416738	940010019	WHITE 370003A
93183611	SAAB 710699	93518R91	IH 411253	939734	AMC 450096	940010019	WHITE 380003A
9319LPD	JN-MN 416271	93518R91	IH 450099	939734	WILYS 416738	940010022	WHITE 370003A
9319LUP	JN-MN 416271	9351LPD	JN-MN 417780	939734	WILYS 450096	940010022	WHITE 380003A
93203	AM WH 416654	9351LUP	JN-MN 417780	9397LPD	JN-MN 450472	940010028	WHITE 370003A
93203	AM WH 455012	9356	EATON 417344	9397LUP	JN-MN 450472	940010028	WHITE 380003A
93229	WHITE 455151	9356	EATON 455006	9398LPD	JN-MN 473243	94001006	WHITE 370025A
93233	CINMI 471689	9356	TRUK 417344	9398LUP	JN-MN 473243	94001006	WHITE 380025A
93234	CINMI 471570	9356	TRUK 455006	9399LPD	JN-MN 415281N	94001006	WHITE 386025A
93235	CINMI 471192	935612	WILYS 8676S	9399LUP	JN-MN 415281N	9400127499	FIAT 710849
93236	CINMI 470163	935735	EATON 712625	93X214	GARLK 351267	940013602	WHITE 370005A
93236	CINMI 471766	935797R91	IH 200885	93X214	GARLK 471267	9400LPD	JN-MN 417273
932407	WILYS 410308	935869R92	IH 472185	93X6113	GARLK 1049	9400LUP	JN-MN 417273
932407	WILYS 450308	9360LPD	JN-MN 417598	93X6169	GARLK 471652	9401LPD	JN-MN 417780
932503	ALLCH 335924N	9360LUP	JN-MN 417598	93X6171	GARLK 471692	9401LUP	JN-MN 417780
93279	CHRY5 410308	9361LPD	JN-MN 416158	93X8887	GARLK 471413	94020129	GMC 474133
93279	CHRY5 450308	9361LUP	JN-MN 416158	93ZT3K169A9A	FORD 710808	94020130	GMC 1987
932887	ALLCH 442380	93625	SELAS 4148	93ZT3K169A9B	FORD 710808	94020131	GMC 1990
932976	ALLCH 473441	9363LPD	JN-MN 470606	93ZT3K169A9C	FORD 710808	94020258	GMC 1949
933062	ALLCH 410867N	9363LUP	JN-MN 470606	93ZT3K169A9BN	FORD 710808	94020262	GMC 225020
93309906	GMC 228008	9363S	TIMKE 9363S	93ZT3X169A5A	FORD 710356	94021237	GMC 473812
933118	ALLCH 473212	9368LPD	JN-MN 417351	93ZT3X169A5B	FORD 710356	94021238	GMC 473179
93333R91	IH 417352	9368LPD	JN-MN 455154	940010011	VOLVO 370006A	94022595	GMC 228480
93333R91	IH 418028	9368LUP	JN-MN 417351	940010014	WHITE 370001A	94024633	GMC 1990
933349	ALLCH 416011	9368LUP	JN-MN 455154	940010014	WHITE 380001A	94026324	GMC 228480
933349	ALLCH 417621	93741869	GMC 710715	940010015	WHITE 370006A	940276555	GMC 710057
93336R91	IH 415991	93741870	GMC 710716	940010016	WHITE 370025A	94028351	GMC 224045
93336R91	IH 415991N	93741990	GMC 221207	940010016	WHITE 380025A	94029129	GMC 710167
933645	ALLCH 470565	93741992	GMC 224010	940010016	WHITE 386025A	94029584	GMC 222860
9339LPD	JN-MN 471643	9374LPD	JN-MN 417073	940010017	WHITE 370023A	94029787	GMC 224205
9339LUP	JN-MN 471643	9374LUP	JN-MN 417073	940010017	WHITE 380023A	9402LPD	JN-MN 415034
9339S	TIMKE 9339S	9376	TIMKE 9376	940010029	WHITE 370001A	9402LPD	JN-MN 455034
934	CALI 415036	9377	CHAMP 341022	940010029	WHITE 380001A	9402LUP	JN-MN 415034
9342SS	JN-MN 415035	938031	AMC 482267	940010030	WHITE 370003A	9402LUP	JN-MN 455034
9342SS	JN-MN 415953	938031	WILYS 482267	940010030	WHITE 380003A	94030585	GMC 712005
934356	WILYS 416738	938151	AMC 8430S	940010032	WHITE 370025A	94030585	ISUZU 712005
934356	WILYS 450096	938151	AMGEN 8430S	940010032	WHITE 380025A	94034121	GMC 710087

INTERCHANGE SECTION

COMPETITIVE INTERCHANGES

Mfr No.	Mfr. National	Mfr No.	Mfr. National	Mfr No.	Mfr. National	Mfr No.	Mfr. National
94034122	GMC 710085	9418LPD	JN-MN 415425	94383	AM WH 450316	94407711	GMC 710168
94034131	GMC 710088	9420	C-R 4462N	94383	AM WH 472636	944078	UNIT 455203
94036687	GMC 710278	9420	SKF 4462N	94385707	GMC 710442	94408	UNIT 473439
94036689	GMC 710277	94214912	GMC 224025	94389593	GMC 1981	944080	UNIT 417539
94039516	GMC 710086	94214913	GMC 710060	94397	AM WH 471255	94408083	GMC 710268
94043754	GMC 710080	94215220	GMC 1981	94399R91	IH 415085	944081	UNIT 417603
94047455	GMC 710089	94216107	GMC 1174	94399R91	IH 456648	944084	UNIT 450867
94047499	GMC 710084	94216107	GMC 710309	94439701701	PORSC 224200	944084	UNIT 470898
94049996	GMC 710089	9421LPD	JN-MN 471267	94439701703	PORSC 1012N	94409	UNIT 417514
94051420	GMC 3476	9421LUP	JN-MN 471267	94439701900	PORSC 221207	9441	FULLE 450084
940555	AMC 340151	9422	FULLE 417316	94400	UNIT 456105	944102	UNIT 470954
94057307	GMC 710084	9422	FULLE 455004	94401	UNIT 415035	944102	UNIT 480954
94057308	GMC 710089	94220837	GMC 223802	94401	UNIT 455035	94411	UNIT 417601
94060931	GMC 710278	94223026	GMC 1987	944015	UNIT 450316	944112	UNIT 450965
94061761	GMC 710088	94224173	ISUZU 1949	944015	UNIT 472636	944116	UNIT 416865
94068R91	IH 340413	94224713	GMC 1949	94402	UNIT 455195	94412	UNIT 416888
94069R91	IH 340787	9422LPD	JN-MN 415991	94402	UNIT 472157	94412	UNIT 455200
9406S	TIMKE 9406S	9422LPD	JN-MN 455146	944024	UNIT 471466	944125	UNIT 417541
94070R91	IH 350414	9422LUP	JN-MN 415991	944026	UNIT 471570	944128	UNIT 200110
94070R91	IH 472311	9422LUP	JN-MN 455146	944027	UNIT 415001	94413	UNIT 416339
94071R91	IH 240151	94238096	GMC 470380	944027	UNIT 455001	94413	UNIT 455031
94072R91	IH 240356	94238096	GMC 472189A	944028	UNIT 450639	944130	UNIT 417191
94073R91	IH 323138	9423LPD	JN-MN 471795	944029	UNIT 415295	944130	UNIT 455165
94074R91	IH 474276	9423LUP	JN-MN 471795	94403	UNIT 450279	944131	UNIT 455194
94075R91	IH 450400	94240603	GMC 710167	944030	UNIT 415483	94414	UNIT 417602
94076R91	IH 340413	94248117	GMC 474230	944030	UNIT 455368	94415	CHECK 203008
94076R92	IH 340413	94249521	GMC 222835	944031	UNIT 415960	944185	VOLVO 482126
94077R91	IH 340787	94251171	GMC 710308	944031	UNIT 455009	9441858	VOLVO 482126
94078R91	IH 240414	94253509	GMC 3667	944033	UNIT 450365	94422390	GMC 1990
94079R91	IH 340151	94257	CHRYSLER 9376	944033	UNIT 470898	9443310	VOLVO 223020
94080R91	IH 240356	94257318	GMC 473812	944035	UNIT 470219	94433100	VOLVO 223020
94081R91	IH 6597S	9425SS	JN-MN 416892	944035	UNIT 471649	94433718	GMC 710537
94082R91	IH 474276	942635	CLARK 471526	944037	UNIT 455018	94443	CHRYSLER 8160S
94083R91	IH 450400	94267	CHRYSLER 7188S	944037	UNIT 476470	94450127	GMC 1012N
9409	C-R 450039	9428	FULLE 417316	944038	UNIT 415449	9445724	VOLVO 100165
94099457	GMC 710085	9428	FULLE 455004	944038	UNIT 455147	94457249	VOLVO 100165
9409LPD	JN-MN 413247	942901	AMC 9344S	94403D	UNIT 415483	94459593	GMC 710098
9409LPD	JN-MN 450350	942901	WILYS 9344S	94403D	UNIT 455368	9445LPD	JN-MN 470064
9409LUP	JN-MN 413247	942905	VOLVO 4941V	94404	UNIT 415281N	9445LPD	JN-MN 471821
9409LUP	JN-MN 450350	9429051	VOLVO 4941V	944041	UNIT 416891	9445LUP	JN-MN 470064
94101493	GMC 710081	94294413	BUC-E 416167	944044	UNIT 455194	9445LUP	JN-MN 471821
94105973	GMC 710308	94294413	BUC-E 455091	94405	UNIT 472319	94464555	GMC 710192
94108633	GMC 710098	94339701803	PORSC 710780	944050	UNIT 415991	94475250	GMC 1953
94108663	GMC 225010	94318910	GMC 473812	944050	UNIT 455146	94482157	GMC 710308
9410LPD	JN-MN 415027	94326441	GMC 1990	944051	UNIT 415995	9449	TIMKE 9449
9410LPD	JN-MN 455027	94327062	GMC 1981	944051	UNIT 455013	9450	FULLE 412119
9410LUP	JN-MN 415027	94327063	GMC 228700	944052	UNIT 415023	9450	FULLE 450101
9410LUP	JN-MN 455027	94334845	GMC 223014	944059	UNIT 415645	9452LPD	JN-MN 412871
94111750	GMC 228480	94334860	GMC 223220	944059	UNIT 455104	9452LPD	JN-MN 450329
9411750	GMC 228480	94336316	GMC 710080	94406	UNIT 473215	94535472	GMC 710310
94124173	GMC 223220	94339	CHRYSLER 474278	944060	UNIT 417539	94535473	GMC 223552
94129884	GMC 228700	94342865	GMC 710194	944061	UNIT 415294	94535474	GMC 4175
94144614	GMC 1174	943661	AMC 475384	944061	UNIT 455294	9454LPD	JN-MN 473225
94146205	GMC 1012N	94367958	GMC 710080	944064	UNIT 415551	9454LUP	JN-MN 473225
9415C	DIA 470565	94367960	GMC 710081	9440651	VOLVO 710790	9456203080	FIAT 710849
9415LPD	JN-MN 471267	943710	AMC 416282	94406510	VOLVO 710790	945702	AMC 40769S
9415LUP	JN-MN 471267	943710	WILYS 416282	94406519	VOLVO 710790	945710	AMC 9316
941664	WILYS 471652	94379067	GMC 222835	94407	UNIT 415034	94580027	GMC 3543
941664	WILYS 482208	94380745	GMC 221620	94407	UNIT 455034	94580413	DAEWU 3774
94178277	GMC 225230	94380745	GMC 221720	944070	UNIT 450400	94580413	GMC 3774

INTERCHANGE SECTION

COMPETITIVE INTERCHANGES



Mfr No.	Mfr. National	Mfr No.	Mfr. National	Mfr No.	Mfr. National	Mfr No.	Mfr. National
9458178	VOLVO 710669	94858956	GMC 710704	95031	MCCOR 415060	95105	MCCOR 5487
94581780	VOLVO 710669	94858983	GMC 710465	95032	MCCOR 415066	95106	MCCOR 416888
9458309	VOLVO 710788	94858992	GMC 223801	95033	MCCOR 456890	95107	MCCOR 456865N
94583090	VOLVO 710788	94859906	GMC 223831	95034	MCCOR 417269	9510LPD	JN-MN 415034
9460LPD	JN-MN 470189	94860096	GMC 1987	95035	MCCOR 417273	9510LPD	JN-MN 455034
9460LPD	JN-MN 471692	948609	AMC 416738	95036	MCCOR 416865	9510LUP	JN-MN 415034
9460LUP	JN-MN 470189	948609	WILYS 416738	95036	MCCOR 455070	9510LUP	JN-MN 455034
9460LUP	JN-MN 471692	9487	TIMKE 9487	95037	MCCOR 417546	95111	MCCOR 417520
946341	VOLVO 224052	9488LPD	JN-MN 416921	95038	MCCOR 416167	95118	MCCOR 7866S
94658170	GMC 710237	9488LPD	JN-MN 455011	95038	MCCOR 455091	9511LPD	JN-MN 472475
947705	VOLVO 710714	9488LUP	JN-MN 416921	95039	MCCOR 415645	9511LUP	JN-MN 472475
947RC	SUL 470219	9488LUP	JN-MN 455011	95039	MCCOR 455104	951292	CLARK 473473
947RC	SUL 471649	9495017	VOLVO 223830	95039SS	JN-MN 471535	951296	WILYS 340771
94810121201	PORSC 716102	9495018	VOLVO 710776	95040	MCCOR 416154	9512LPD	JN-MN 455026
94810121202	PORSC 716102	94950185	VOLVO 710776	95041	MCCOR 417539	9512LUP	JN-MN 455026
94804	CHRYSLER 7412S	9495C	DIA 410737	95042	MCCOR 416153	9514	C-R 222430
9480705	VOLVO 4072N	9495C	DIA 450737	95043	MCCOR 417538	9514	SKF 222430
9483LPD	JN-MN 473228	9495CX	DIA 410737	95045	MCCOR 415371	9514LPD	JN-MN 415683
9483LUP	JN-MN 473228	9495CX	DIA 450737	95045S	MCCOR 415371	9514LUP	JN-MN 415683
9483LUP	JN-MN 51098	9496129	VOLVO 710740	95046	MCCOR 415284	9515	C-R 222430
94840006	GMC 1987	94961299	VOLVO 710740	95048	MCCOR 417262	9515	SKF 222430
94840023	GMC 227045	94TM6701A1A	FORD 3393	95048	MCCOR 455448	9516	NATL 8705S
94840076	GMC 223235	94WT3K169A9A	FORD 710798	95052	OLIVE 470219	951644	BR-ST 470219
94840381	GMC 1180	94X215	GARLK 470680	95052	OLIVE 471649	951644	BR-ST 471649
94840395	GMC 223235	94X215	GARLK 471570	95054	MCCOR 415047	9520LPD	JN-MN 471760
94840436	GMC 710156	94X287	GARLK 471224	95056	MCCOR 417267	9520LUP	JN-MN 471760
94840471	GMC 710154	94X359	GARLK 471763	95057	MCCOR 45637S	9521	C-R 222430
94840505	GMC 221510	94X4600	GARLK 472432	95059N	MCCOR 415213N	9521	SKF 222430
94840623	GMC 320603	94X4600	GARLK 474256	95060	MCCOR 417525	95216	WHITE 417487
94840624	GMC 710110	94X5051	GARLK 471276	95061	MCCOR 417247	95216	WHITE 455014
94840652	GMC 223831	94X6176	GARLK 472681	95062	C-R 417606	95226	CHRYSLER 471341
94840654	GMC 5696	94X6176	GARLK 473259	95062	MCCOR 417507	9523LPD	JN-MN 415021
94840869	GMC 221207	94X6282	GARLK 476511	95062	MCCOR 455513	9523LUP	JN-MN 415021
94841023	GMC 710110	94X6486	GARLK 476510	95062	SKF 417606	952742	WAUKE 471787
94841798	GMC 227045	94X6557	GARLK 471379	95063	MCCOR 456618	95294413	BUC-E 415001
94841823	GMC 320603	94X6639	GARLK 472658	95064	MCCOR 415043	95294413	BUC-E 455001
94843981	GMC 1180	94X6639	GARLK 473197	95068	MCCOR 417541	953019R1	IH 470380
94844710	GMC 1987	94X6738	GARLK 472239	95069	MCCOR 416070	953024	CLARK 450365
94844862	GMC 223831	94X7033	GARLK 470954	95070	MCCOR 415371	953024	CLARK 470898
94845317	GMC 1180	94X760	GARLK 473231	95075	MCCOR 6329S	953029	CLARK 471785
94846026	GMC 710110	94X8005	GARLK 476512	95076	MCCOR 455251H	953030	CLARK 471354
94846072	GMC 710109	94X89	GARLK 471264	95076S	MCCOR 455251H	953032	CLARK 471801
94846345	GMC 4898	94X96	GARLK 471612	95077	MCCOR 417518	953035	CLARK 450441
94846901	GMC 320603	9500	C-R 222410	95079	MCCOR 416158	953035	CLARK 471341
94847440	GMC 5696	9500	SKF 222410	95080	MCCOR 415725	953038	CLARK 415001
94847441	GMC 1993	95003	MCCOR 417278	95081	C-R 9555S	953038	CLARK 455001
94850395	GMC 223235	95005	MCCOR 417537	95081	MCCOR 416163	953039	CLARK 473225
94850807	GMC 1987	95006	MCCOR 415041	95081	SKF 9555S	953040	CLARK 473438
94851798	GMC 227045	95011	MCCOR 370036A	95082	MCCOR 6635S	953043	CLARK 450084
94851892	GMC 710109	95012	MCCOR 417516	95086	MCCOR 417252	953044	CLARK 473460
94851936	GMC 5696	95013	MCCOR 417223	95089	MCCOR 415060	953045	CLARK 415302
94851937	GMC 4898	95019	MCCOR 415351	95090	MCCOR 417548	953046	CLARK 416921
94852785	GMC 710412	950216301	BORGW 472018	95091	MCCOR 415064	953046	CLARK 455011
94852835	GMC 222630	95023	MCCOR 416865	95094	MCCOR 370022A	953047	CLARK 417539
94854723	GMC 710412	95024	MCCOR 417514	95095	MCCOR 6872S	953048	CLARK 415551
94856492	GMC 5696	95025	MCCOR 415045	95098	MCCOR 417509	953053	CLARK 470050
94856669	GMC 710465	95026	MCCOR 416892	95099	MCCOR 455290	95307	AM WH 415449
94856761	GMC 223801	95028	MCCOR 415138	95100	AM WH 471652	95307	AM WH 455147
94856962	GMC 710465	95029	MCCOR 415058	95103	MCCOR 370005A	953080413	SKODA 228009
94858594	GMC 223235	95030	MCCOR 417238	95104	MCCOR 455956H	9530LPD	JN-MN 415725

INTERCHANGE SECTION

COMPETITIVE INTERCHANGES

Mfr No.	Mfr.	National	Mfr No.	Mfr.	National	Mfr No.	Mfr.	National	Mfr No.	Mfr.	National
9530LUP	JN-MN	415725	95810105200	PORSC	710279	96059934	GMC	1188	9647	C-R	471648
95357	EATON	370023A	9581	HYST	473444	96060198	GMC	222030	9647	SKF	471648
95357	EATON	380023A	9581156TA	TRSCM	417606	96061234	GMC	710523	964871M1	CHRY	450070
9537	FULLE	240733	958245682	MAZDA	710345	96061930	GMC	222030	964871M1	CHRY	472185
9541LPD	JN-MN	455151	95823R91	IH	470898	96061932	GMC	223552	964874M1	CHRY	470163
9541LUP	JN-MN	455151	95827	CHRY	482163N	96063564	GMC	221730	964874M1	CHRY	471766
9542LPD	JN-MN	455022	9584	NATL	370047A	96064766	GMC	710343	9649LPD	JN-MN	415142
9542LUP	JN-MN	455022	9584	TIMKE	9584	96065634	GMC	710334	9649LUP	JN-MN	415142
9543LPD	JN-MN	416654	9587LPD	JN-MN	416125	96066239	GMC	221730	9650LPD	JN-MN	471785
9543LPD	JN-MN	455012	9587LUP	JN-MN	416125	96066450	GMC	710287	9650LUP	JN-MN	471785
9543LUP	JN-MN	416654	958989	VOLVO	223230	96066451	GMC	710286	9651LUP	JN-MN	470954
9543LUP	JN-MN	455012	9590LPD	JN-MN	415060	96067581	GMC	222030	9652LPD	JN-MN	470530
9545LPD	JN-MN	417238	9590LUP	JN-MN	415060	96068274	GMC	710310	9652LUP	JN-MN	470530
9545LUP	JN-MN	417238	959308R1	IH	6590S	96069122	GMC	1188	965326	CHRY	471647
954631	SPICE	417356	959308R91	IH	6590S	96069335	GMC	222030	9653528580	FIAT	710849
954631	SPICE	455188	9596LPD	JN-MN	473241	9608	CLARK	415458	9653LPD	JN-MN	450083
9546LPD	JN-MN	470565	9598	FULLE	474276	9608	CLARK	455003	9653LPD	JN-MN	472924
9546LUP	JN-MN	470565	9599S	TIMKE	9599S	96101489	DAEWO	228008	9653LUP	JN-MN	450083
9547LPD	JN-MN	476470	95HM6700AA	FORD	3774	96101489	GMC	228008	9653LUP	JN-MN	472924
9547LUP	JN-MN	476470	95VW6700AA	FORD	710618	96101490	GMC	710399	9654LPD	JN-MN	416476
9548LPD	JN-MN	417362	95VW6701AA	FORD	716102	96101490M	GMC	710399	9654LPD	JN-MN	455075
9548LUP	JN-MN	417362	9600LPD	JN-MN	417273	961125	BENDI	455310	9654LUP	JN-MN	416476
95510105100	PORSC	716102	9600LUP	JN-MN	417273	9613	C-R	451583	9654LUP	JN-MN	455075
95510105200	PORSC	710279	9600S	TIMKE	9600S	9613	SKF	451583	96569	CHRY	7300S
95510105300	PORSC	710761	96014416	GMC	3459	9613S	TIMKE	9613S	965744	CHRY	471689
95510108500	PORSC	710618	96014877	GMC	223540	96230213100	PORSC	222820	9661LPD	JN-MN	416865
95530122700	PORSC	710714	96015187	GMC	6712NA	962061	CHRY	416273	9661LUP	JN-MN	416865
95532118900	PORSC	710933	960151870	GMC	6712NA	9622	C-R	6324S	9662LPD	JN-MN	416339
95532119900	PORSC	710751	96020366	GMC	710867	9622	SKF	6324S	9662LPD	JN-MN	455031
95532119910	PORSC	710749	96040139	GMC	710544	962228	CHRY	450095	9662LUP	JN-MN	416339
95532119920	PORSC	710750	96040460	GMC	223540	962228	CHRY	473464	9662LUP	JN-MN	455031
95532119921	PORSC	710750	96040528	GMC	8792S	962229	CHRY	480281	9663	C-R	8059S
95532119930	PORSC	221207	96040762	GMC	710343	962475	CHRY	471645	9663	SKF	8059S
95532124300	PORSC	710934	96041845	GMC	710544	9625LPD	JN-MN	471652	9663LPD	JN-MN	417509
95532124302	PORSC	710934	96041855	ACDEL	710867	9625LUP	JN-MN	471652	9663LUP	JN-MN	417509
95532172900	PORSC	710934	96041855	GMC	710867	96264738	GMC	3543	9664	C-R	8059S
9550LPD	JN-MN	472439	96051409	GMC	222030	9626LPD	JN-MN	472144	9664	SKF	8059S
9550LUP	JN-MN	472439	96051418	GMC	221510	9626LUP	JN-MN	472144	966446R91	IH	475003N
955497R91	IH	455079	96051419	GMC	222030	96290	C-R	416381	9664LPD	JN-MN	416154
955498R91	IH	473463	96051420	GMC	710310	96290	SKF	416381	9664LUP	JN-MN	416154
95557R91	IH	470565	96051421	GMC	710310	96294413	BUC-E	415047	9667	C-R	471688
9555S	TIMKE	9555S	96051422	GMC	223552	9629LPD	JN-MN	415725	9667	SKF	471688
955776R1	IH	450400	96051423	GMC	224462	9629LUP	JN-MN	415725	96688	CHRY	471271
9558LPD	JN-MN	471763	96051424	GMC	710334	963	PORTR	415090	96713	WHITE	450067
9558LUP	JN-MN	471763	96053884	GMC	223830	9630LPD	JN-MN	481834	96713	WHITE	473228
95612	CHRY	410308	96054039	GMC	223540	9634LPD	JN-MN	471466	96719	WHITE	5MR71
95612	CHRY	473468	9605414	GMC	710116	9634LUP	JN-MN	471466	967228R91	IH	415013N
9565	HYST	415027	96054141	GMC	221207	96350161	DAEWO	223010	967228R91	IH	415995V
9565	HYST	455027	96054226	GMC	223552	96350161	GMC	223010	96733	CHRY	470380
956666	CHRY	410102	96054427	GMC	224462	9636LUP	JN-MN	473232	967610R91	IH	7581H
9568	TIMKE	9568	96055290	GMC	710175	96376569	GMC	228008	96783	WHITE	471689
9569LPD	JN-MN	471466	96057738	GMC	224820	96376569	OPEL	228008	9681	C-R	450040
9569LUP	JN-MN	471466	96057740	GMC	223553	964030R91	IH	203025	9681	SKF	450040
9569S	TIMKE	9569S	96057741	GMC	710523	9643	GARLK	340835	9682	C-R	482309
957522R91	IH	412027	96057742	GMC	1213N	9643LPD	JN-MN	480630	9682	SKF	482309
957905	CHRY	417351	96057743	GMC	710239	9643LUP	JN-MN	480630	96823R91	IH	470898
957905	CHRY	455154	96057745	GMC	710193	96440222	GMC	320348	9686LPD	JN-MN	412920
957E1190A	FORD	7381S	96057747	GMC	710240	964461M1	CHRY	450343	9686LPD	JN-MN	450132
957E4233A	FORD	472492	96057748	GMC	710255	9646	C-R	471648	9686LUP	JN-MN	412920
957E4250A	FORD	470898	96059653	GMC	223540	9646	SKF	471648	9686LUP	JN-MN	450132

INTERCHANGE SECTION

COMPETITIVE INTERCHANGES



Mfr No.	Mfr. National	Mfr No.	Mfr. National	Mfr No.	Mfr. National	Mfr No.	Mfr. National
9687	C-R 451082	97025798	ACDEL 710194	97209341	GMC 710601	97423	CHRY5 481181
9687	SKF 451082	97025798	GMC 710194	97209342	GMC 710892	97423	CHRY5 481181N
9688	C-R 482310	97026	MCCOR 417600	97210030	IVECO 710279	9743LPD	JN-MN 471231
9688	SKF 482310	97027	MCCOR 417601	9722H	MINNM 455189	9743LUP	JN-MN 471231
9688LPD	JN-MN 470548	97028	MCCOR 415090	9723	C-R 222535	97448	CHRY5 9376
9688LPD	JN-MN 470625	97029	MCCOR 415124	9723	SKF 222535	97449	CHRY5 9487
9688LUP	JN-MN 470548	97029260	GMC 3543	97238997	GMC 710769	9744LPD	JN-MN 451583
9688LUP	JN-MN 470625	9702C	DIA 473203	97238998	GMC 221820	9744LUP	JN-MN 451583
968908R91	IH 415984	97031	MCCOR 417020	97238999	GMC 710768	97461R91	IH 417316
968939R91	IH 450185	97031954	GMC 710114	972401R91	IH 370023A	974631	SPICE 472015
968939R91	IH 473229	97033280300	PORSC 710678	972401R91	NAVST 380023A	974632	SPICE 412015V
96948900	GMC 710799	97036	MCCOR 416394	972408R91	IH 412473	9746326	SPICE 415836N
9694SS	JN-MN 473238	97037	MCCOR 415938	972408R91	IH 415894	9746332	SPICE 412015V
9698	CHAMP 471689	97039	MCCOR 455584	972424R91	IH 415086N	9746333	SPICE 3893V
9698	DOMIN 471689	97040	MCCOR 417555	972424R91	IH 417487	97474	CHRY5 472258
96GX212	JOY 415034	97041	MCCOR 416239	9725	C-R 222540	97474	NPG 472258
96GX212	JOY 455034	97042	MCCOR 417602	9725	SKF 222540	97501	MCCOR 5401
96JV6700B	FORD 710837	97045	MCCOR 417602	9727	C-R 222540	97503	MCCOR 5403
96MM6700A2A	FORD 711002	97046703	GMC 710768	9727	SKF 222540	97508	MCCOR 5408
96TM6701A1A	FORD 3393	97048	MCCOR 6649	97281	HYST 450593	9750LPD	JN-MN 417480
96X7033	GARLK 350679	97049	MCCOR 455583N	97287358	GMC 710770	9750LPD	JN-MN 455860
96X7033	GARLK 470954	97050	MCCOR 455121	9729LPD	JN-MN 415379	9750LUP	JN-MN 417480
97294413	BUC-E 415001	97051	MCCOR 417596	9729LPD	JN-MN 455379	9750LUP	JN-MN 455860
97294413	BUC-E 455001	97051954	GMC 710114	9729LUP	JN-MN 415379	97510800	CITRO 716102
9746339	DANA 714713	97053	MCCOR 455117	9729LUP	JN-MN 455379	97515	MCCOR 5458
9700	C-R 712018	97054	MCCOR 417604	972E13	CLARK 450083	97517	MCCOR 370002A
9700	SKF 712018	97055	MCCOR 415871	972E13	CLARK 472924	97518	MCCOR 370009A
97000	MCCOR 416476	97057	MCCOR 416364	972E14	CLARK 415003	9751LPD	JN-MN 450519
97000	MCCOR 455075	97058	MCCOR 415077	972E14	CLARK 415458	9751LPD	JN-MN 471271
97001	CHRY5 410059	97059	MCCOR 417549	972E16	CLARK 450085	9751LUP	JN-MN 450519
97001	CHRY5 470380	9705LPD	JN-MN 417223	972E16	CLARK 470530	9751LUP	JN-MN 471271
97001	MCCOR 416229	9705LUP	JN-MN 417223	972E21	CLARK 450095	9752	C-R 222558
97002	MCCOR 416229	9706	C-R 712007	972E21	CLARK 473464	9752	SKF 222558
97003	MCCOR 416666	9706	SKF 712007	972E22	CLARK 472439	97520	MCCOR 370019A
97006	MCCOR 5M466	97060	MCCOR 455480	972E23	CLARK 450067	97521	MCCOR 370005A
97007	MCCOR 455018	97064	MCCOR 415867	972E23	CLARK 473228	97525	MCCOR 5460
97007	MCCOR 476470	97065	MCCOR 455583N	972E24	CLARK 45187S	97529	MCCOR 370024A
97007S	MCCOR 455018	97066	MCCOR 417597	972E27	CLARK 470163	9752LPD	JN-MN 415991
97007S	MCCOR 476470	97069	HYST 413246	972E27	CLARK 471766	9752LPD	JN-MN 455146
97008	MCCOR 415072	97069	HYST 413246N	972E33	CLARK 450067	9752LUP	JN-MN 415991
97009	CHRY5 410059	97070182	GMC 3543	972E33	CLARK 473228	9752LUP	JN-MN 455146
97009	CHRY5 470380	97072405	GMC 3543	972E6	CLARK 415458	97533	MCCOR 5481
97009	MCCOR 416107	9707LPD	JN-MN 455356	972E6	CLARK 455003	97537	MCCOR 5487
97009	MCCOR 455073	9707LUP	JN-MN 455356	972E15	CLARK 473232	97538	MCCOR 5589
9701	C-R 222535	9709	C-R 712007	972E17	CLARK 472826	97544	MCCOR 370003A
9701	SKF 222535	9709	SKF 712007	972E18	CLARK 470682	97545	C-R 55078S
97010	MCCOR 416239	971086R91	IH 8635S	972E31	CLARK 450154	97545	SKF 55078S
97011	MCCOR 417556	9710LPD	JN-MN 470334	972E31	CLARK 473234	97546	MCCOR 370009A
97012	MCCOR 417563	9710LUP	JN-MN 470334	9732	C-R 222540	9764LPD	JN-MN 417211
97013	MCCOR 417298	9714LPD	JN-MN 350974	9732	SKF 222540	9764LUP	JN-MN 417211
97014	MCCOR 415116	9715	C-R 320603	9732LPD	JN-MN 417316	97715620	GMC 370003A
97015	MCCOR 415551	9715	SKF 320603	9732LPD	JN-MN 455004	97715620	GMC 380003A
97016	MCCOR 455297	9715LPD	JN-MN 415259	9732LUP	JN-MN 417316	9772056	GMC 7412S
97017350	GMC 1990	9715LUP	JN-MN 415259	9732LUP	JN-MN 455004	9772831	GMC 5095
97020	MCCOR 415447	9717	C-R 712007	9733LPD	JN-MN 471276	97737HA	IH 5MR1008
97023373	GMC 710620	9717	SKF 712007	9733LUP	JN-MN 471276	9773R	TIMKE 9773
97023976	GMC 710081	9718	C-R 320603	9736LPD	JN-MN 471424	9775113	GMC 8594S
97023977	GMC 710080	9718	SKF 320603	9736LUP	JN-MN 471424	9775114	GMC 8594S
97024	MCCOR 415072	9720	C-R 222535	97370	BENDI 471255	9775115	GMC 8594S
97025	MCCOR 457874	9720	SKF 222535	97371	BENDI 471442	9776620	GMC 410059

INTERCHANGE SECTION

COMPETITIVE INTERCHANGES

Mfr No.	Mfr.	National	Mfr No.	Mfr.	National	Mfr No.	Mfr.	National	Mfr No.	Mfr.	National
9776620	GMC	470380	97GX11	JOY	417487	97GX148	JOY	473245	97GX192	JOY	455013
9776624	GMC	7412S	97GX11	JOY	455014	97GX149	JOY	410520	97GX195	JOY	416011
9778371	GMC	8940S	97GX110	JOY	470059	97GX149	JOY	471272	97GX195	JOY	417621
9778372	GMC	8940S	97GX110	JOY	470380	97GX15	JOY	455008	97GX196	JOY	415021
978016	HYST	6988H	97GX111	JOY	470064	97GX150	JOY	471138	97GX197	JOY	417490
9781063	GMC	471413	97GX111	JOY	471821	97GX153	JOY	411253	97GX198	JOY	417490
9782153	GMC	7399S	97GX112	JOY	450185	97GX153	JOY	450099	97GX199	JOY	455336
9782209	GMC	480844	97GX112	JOY	473229	97GX154	JOY	412920	97GX2	JOY	417546
9782288	GMC	7399S	97GX113	JOY	450185	97GX154	JOY	450132	97GX20	JOY	415045
9784286	GMC	2043	97GX113	JOY	473229	97GX155	JOY	455136	97GX200	JOY	455336
9784508	GMC	2043	97GX114	JOY	470682	97GX156	JOY	411376	97GX201	JOY	418028
97871	CHRY	410308	97GX115	JOY	450078	97GX156	JOY	455093	97GX201	JOY	455137
97871	CHRY	473468	97GX115	JOY	473444	97GX157	JOY	410737	97GX202	JOY	418028
9787344	GMC	332062	97GX116	JOY	473236	97GX157	JOY	450737	97GX202	JOY	455137
9788739	GMC	8705S	97GX117	JOY	470074	97GX158	JOY	410694	97GX203	JOY	455018
9789LPD	JN-MN	470045	97GX117	JOY	474265	97GX159	JOY	411394	97GX203	JOY	476470
9789LPD	JN-MN	476838	97GX118	JOY	450068	97GX159	JOY	450317	97GX205	JOY	417491
9789LUP	JN-MN	470045	97GX119	JOY	470351	97GX16	JOY	470163	97GX207	JOY	412473
9789LUP	JN-MN	476838	97GX119	JOY	471504	97GX16	JOY	471766	97GX207	JOY	415894
978M6K292A2C	FORD	710899	97GX12	JOY	456105	97GX163	JOY	413247	97GX208	JOY	415437
978M6K292A2D	FORD	710899	97GX120	JOY	450183	97GX163	JOY	450350	97GX21	JOY	416892
9790LPD	JN-MN	471271	97GX120	JOY	472179	97GX164	JOY	412119	97GX211	JOY	417211
9790LUP	JN-MN	471271	97GX121	JOY	450183	97GX164	JOY	450101	97GX213	JOY	417356
9793675	GMC	2043	97GX121	JOY	472179	97GX165	JOY	416271	97GX213	JOY	455188
9793685	GMC	2043	97GX122	JOY	450076	97GX166	JOY	417073	97GX214	JOY	415035
9794LPD	JN-MN	455024	97GX122	JOY	470334	97GX167	JOY	411245	97GX214	JOY	455035
9794LUP	JN-MN	455024	97GX123	JOY	473458	97GX167	JOY	455096	97GX215	JOY	417511
97955	HYST	472287	97GX124	JOY	450298	97GX17	JOY	415074	97GX216	JOY	417511
9797LPD	JN-MN	417269	97GX124	JOY	473239	97GX171	JOY	470605	97GX218	JOY	417513
9797LUP	JN-MN	417269	97GX125	JOY	471868	97GX172	JOY	470605	97GX219	JOY	455195
9799LPD	JN-MN	470351	97GX126	JOY	472439	97GX173	JOY	415449	97GX219	JOY	472157
9799LPD	JN-MN	471504	97GX127	JOY	450117	97GX173	JOY	455147	97GX22	JOY	455024
9799LUP	JN-MN	470351	97GX127	JOY	472572	97GX174	JOY	455079	97GX220	JOY	455195
9799LUP	JN-MN	471504	97GX128	JOY	455117	97GX175	JOY	415082	97GX220	JOY	472157
97GK179	JOY	417485	97GX13	JOY	415035	97GX177	JOY	415988	97GX221	JOY	416891
97GK29	JOY	415645	97GX13	JOY	455035	97GX178	JOY	415302	97GX222	JOY	416137
97GK29	JOY	455104	97GX130	JOY	450094	97GX179	JOY	417485	97GX226	JOY	415196
97GK32	JOY	473313	97GX130	JOY	473462	97GX18	JOY	416339	97GX227	JOY	416888
97GK33	JOY	415007	97GX131	JOY	472394	97GX18	JOY	455031	97GX227	JOY	455200
97GK4	JOY	416666	97GX132	JOY	450389	97GX180	JOY	455005	97GX228	JOY	417532
97GT7052AA	FORD	2655	97GX132	JOY	472492	97GX181	JOY	417344	97GX229	JOY	416154
97GT7A248AA	FORD	710535	97GX133	JOY	450389	97GX181	JOY	455006	97GX23	JOY	412119
97GX1	JOY	417563	97GX133	JOY	472492	97GX182	JOY	417158	97GX23	JOY	450101
97GX10	JOY	415058	97GX134	JOY	450301	97GX182	JOY	455355	97GX230	JOY	417532
97GX100	JOY	471736	97GX134	JOY	472397	97GX183	JOY	417344	97GX231	JOY	415371
97GX101	JOY	471750	97GX135	JOY	473242	97GX183	JOY	455006	97GX232	JOY	417535
97GX102	JOY	471192	97GX136	JOY	473463	97GX185	JOY	416654	97GX233	JOY	415138
97GX103	JOY	470169	97GX137	JOY	416738	97GX185	JOY	455012	97GX235	JOY	415725
97GX103	JOY	473214	97GX137	JOY	450096	97GX186	JOY	415281N	97GX236	JOY	417278
97GX104	JOY	470169	97GX138	JOY	450307	97GX187	JOY	417350	97GX237	JOY	417542
97GX104	JOY	473214	97GX14	JOY	330385	97GX187	JOY	455479	97GX24	JOY	471765
97GX105	JOY	470950	97GX140	JOY	450115	97GX188	JOY	417350	97GX241	JOY	417262
97GX105	JOY	6241S	97GX140	JOY	473467	97GX188	JOY	455479	97GX241	JOY	455448
97GX106	JOY	471820	97GX142	JOY	410312N	97GX189	JOY	417351	97GX246	JOY	415072
97GX107	JOY	470548	97GX143	JOY	413469	97GX189	JOY	455154	97GX249	JOY	455480
97GX107	JOY	470625	97GX144	JOY	472015	97GX19	JOY	415064	97GX25	JOY	417316
97GX108	JOY	470548	97GX145	JOY	473243	97GX190	JOY	417487	97GX25	JOY	455004
97GX108	JOY	470625	97GX146	JOY	450365	97GX190	JOY	455086	97GX250	JOY	416239
97GX109	JOY	470059	97GX146	JOY	470898	97GX191	JOY	417488	97GX26	JOY	455018
97GX109	JOY	470380	97GX147	JOY	472015	97GX192	JOY	415995	97GX26	JOY	476470

INTERCHANGE SECTION

COMPETITIVE INTERCHANGES



Mfr No.	Mfr. National	Mfr No.	Mfr. National	Mfr No.	Mfr. National	Mfr No.	Mfr. National
97GX260	JOY 411394	97GX81	JOY 471529	97KX118	JOY 450068	97KX159	JOY 450317
97GX260	JOY 450317	97GX83	JOY 470590	97KX119	JOY 470351	97KX16	JOY 470163
97GX27	JOY 416137	97GX84	JOY 471267	97KX119	JOY 471504	97KX16	JOY 471766
97GX28	JOY 415036	97GX85	JOY 470590	97KX12	JOY 456105	97KX163	JOY 413247
97GX3	JOY 416107	97GX86	JOY 471571	97KX120	JOY 450183	97KX163	JOY 450350
97GX3	JOY 455073	97GX88	JOY 471648	97KX120	JOY 472179	97KX164	JOY 412119
97GX30	JOY 416921	97GX89	JOY 470120	97KX121	JOY 450183	97KX164	JOY 450101
97GX30	JOY 455011	97GX89	JOY 471224	97KX121	JOY 472179	97KX165	JOY 416271
97GX31	JOY 455019	97GX9	JOY 415027	97KX122	JOY 450076	97KX166	JOY 417073
97GX34	JOY 415025	97GX9	JOY 455027	97KX122	JOY 470334	97KX167	JOY 411245
97GX35	JOY 470169	97GX90	JOY 470219	97KX123	JOY 473458	97KX167	JOY 455096
97GX35	JOY 473214	97GX90	JOY 471649	97KX124	JOY 450298	97KX17	JOY 415074
97GX36	JOY 415988	97GX91	JOY 470120	97KX124	JOY 473239	97KX170	JOY 410496
97GX37	JOY 471138	97GX91	JOY 471224	97KX125	JOY 471868	97KX171	JOY 470605
97GX38	JOY 6863S	97GX92	JOY 481650	97KX126	JOY 472439	97KX172	JOY 470605
97GX39	JOY 416664	97GX93	JOY 450444	97KX127	JOY 450117	97KX174	JOY 455079
97GX39	JOY 455364	97GX93	JOY 471835	97KX127	JOY 472572	97KX175	JOY 415082
97GX40	JOY 472029	97GX94	JOY 471763	97KX128	JOY 450117	97KX177	JOY 415988
97GX41	JOY 417507	97GX95	JOY 470045	97KX128	JOY 472572	97KX178	JOY 415302
97GX41	JOY 455513	97GX95	JOY 476838	97KX13	JOY 415035	97KX179	JOY 417485
97GX43	JOY 418028	97GX96	JOY 470712	97KX13	JOY 455035	97KX180	JOY 455005
97GX43	JOY 455137	97GX97	JOY 470189	97KX130	JOY 450094	97KX181	JOY 417344
97GX44	JOY 450067	97GX97	JOY 471692	97KX130	JOY 473462	97KX181	JOY 455006
97GX44	JOY 473228	97GX98	JOY 470189	97KX131	JOY 472394	97KX182	JOY 417158
97GX45	JOY 471532	97GX98	JOY 471692	97KX132	JOY 450389	97KX182	JOY 455355
97GX46	JOY 473238	97GX99	JOY 471785	97KX132	JOY 472492	97KX183	JOY 417344
97GX47	JOY 415960	97KX1	JOY 417563	97KX133	JOY 450389	97KX183	JOY 455006
97GX47	JOY 455009	97KX10	JOY 415058	97KX133	JOY 472492	97KX185	JOY 416654
97GX48	JOY 450083	97KX100	JOY 471736	97KX134	JOY 450301	97KX185	JOY 455012
97GX48	JOY 472924	97KX101	JOY 471750	97KX134	JOY 472397	97KX186	JOY 415281N
97GX49	JOY 417356	97KX102	JOY 471192	97KX135	JOY 473242	97KX187	JOY 417350
97GX49	JOY 455188	97KX103	JOY 470169	97KX136	JOY 473463	97KX187	JOY 455479
97GX5	JOY 450070	97KX103	JOY 473214	97KX137	JOY 416738	97KX188	JOY 417350
97GX5	JOY 472185	97KX104	JOY 470169	97KX137	JOY 450096	97KX188	JOY 455479
97GX50	JOY 473463	97KX104	JOY 473214	97KX138	JOY 450307	97KX189	JOY 417351
97GX51	JOY 450316	97KX105	JOY 470950	97KX140	JOY 450115	97KX189	JOY 455154
97GX51	JOY 472636	97KX105	JOY 6241S	97KX140	JOY 473467	97KX19	JOY 415064
97GX52	JOY 415995	97KX106	JOY 471820	97KX142	JOY 410312N	97KX190	JOY 417487
97GX52	JOY 455013	97KX107	JOY 470548	97KX143	JOY 413469	97KX190	JOY 455086
97GX53	JOY 471646	97KX107	JOY 470625	97KX144	JOY 472015	97KX191	JOY 417488
97GX54	JOY 471472	97KX108	JOY 470548	97KX145	JOY 473243	97KX192	JOY 415995
97GX55	JOY 450316	97KX108	JOY 470625	97KX146	JOY 450365	97KX192	JOY 455013
97GX55	JOY 472636	97KX109	JOY 470059	97KX146	JOY 470898	97KX194	JOY 417172
97GX57	JOY 416153	97KX109	JOY 470380	97KX147	JOY 472015	97KX195	JOY 416011
97GX58	JOY 450085	97KX11	JOY 417487	97KX148	JOY 473245	97KX195	JOY 417621
97GX58	JOY 470530	97KX11	JOY 455014	97KX149	JOY 410520	97KX196	JOY 415021
97GX6	JOY 450084	97KX110	JOY 470059	97KX149	JOY 471272	97KX197	JOY 417490
97GX63	JOY 455655	97KX110	JOY 470380	97KX15	JOY 455008	97KX198	JOY 417490
97GX7	JOY 415449	97KX111	JOY 470064	97KX150	JOY 471138	97KX199	JOY 455336
97GX7	JOY 455147	97KX111	JOY 471821	97KX153	JOY 411253	97KX2	JOY 417546
97GX70	JOY 470954	97KX112	JOY 450185	97KX153	JOY 450099	97KX20	JOY 415045
97GX71	JOY 412920	97KX112	JOY 473229	97KX154	JOY 412920	97KX200	JOY 455336
97GX71	JOY 450132	97KX113	JOY 450185	97KX154	JOY 450132	97KX201	JOY 418028
97GX72	JOY 471551	97KX113	JOY 473229	97KX155	JOY 455136	97KX201	JOY 455137
97GX75	JOY 330385	97KX114	JOY 470682	97KX156	JOY 411376	97KX202	JOY 418028
97GX76	JOY 473236	97KX115	JOY 450078	97KX156	JOY 455093	97KX202	JOY 455137
97GX77	JOY 472810	97KX115	JOY 473444	97KX157	JOY 410737	97KX203	JOY 455018
97GX78	JOY 471442	97KX116	JOY 473236	97KX157	JOY 450737	97KX203	JOY 476470
97GX79	JOY 471532	97KX117	JOY 470074	97KX158	JOY 410694	97KX205	JOY 417491
97GX8	JOY 413469	97KX117	JOY 474265	97KX159	JOY 411394	97KX207	JOY 412473

INTERCHANGE SECTION

COMPETITIVE INTERCHANGES

Mfr No.	Mfr.	National	Mfr No.	Mfr.	National	Mfr No.	Mfr.	National	Mfr No.	Mfr.	National
97KX207	JOY	415894	97KX39	JOY	416664	97KX94	JOY	471763	97MX13	JOY	450039
97KX208	JOY	415437	97KX39	JOY	455364	97KX95	JOY	470045	97MX130	JOY	416154
97KX21	JOY	416892	97KX4	JOY	416666	97KX95	JOY	476838	97MX132	JOY	416158
97KX211	JOY	417211	97KX40	JOY	472029	97KX96	JOY	470712	97MX133	JOY	415138
97KX212	JOY	415034	97KX41	JOY	417507	97KX97	JOY	470189	97MX134	JOY	415066
97KX212	JOY	455034	97KX41	JOY	455513	97KX97	JOY	471692	97MX135	JOY	416167
97KX213	JOY	417356	97KX43	JOY	418028	97KX98	JOY	470189	97MX135	JOY	455091
97KX213	JOY	455188	97KX43	JOY	455137	97KX98	JOY	471692	97MX136	JOY	416167
97KX214	JOY	415035	97KX44	JOY	450067	97KX99	JOY	471785	97MX136	JOY	455091
97KX214	JOY	455035	97KX44	JOY	473228	97LX127	JOY	416891	97MX137	JOY	416865
97KX215	JOY	417511	97KX45	JOY	471532	97LX133	JOY	415138	97MX137	JOY	455070
97KX216	JOY	417511	97KX46	JOY	473238	97LX276	JOY	476470	97MX138	JOY	416865
97KX218	JOY	417513	97KX47	JOY	415960	97LX29	JOY	417344	97MX138	JOY	455070
97KX219	JOY	455195	97KX47	JOY	455009	97LX29	JOY	455006	97MX139	JOY	455290
97KX219	JOY	472157	97KX48	JOY	450083	97LX31	JOY	471750	97MX14	JOY	470120
97KX22	JOY	455024	97KX48	JOY	472924	97LX32	JOY	40140S	97MX14	JOY	471224
97KX220	JOY	455195	97KX49	JOY	417356	97LX40	JOY	472029	97MX141	JOY	417551
97KX220	JOY	472157	97KX49	JOY	455188	97LX52	JOY	415995	97MX143	JOY	417254
97KX221	JOY	416891	97KX5	JOY	450070	97LX52	JOY	455013	97MX144	JOY	480630
97KX222	JOY	416137	97KX5	JOY	472185	97LX53	JOY	415991	97MX145	JOY	417555
97KX226	JOY	415196	97KX50	JOY	473463	97LX53	JOY	455146	97MX147	JOY	417780
97KX227	JOY	416888	97KX51	JOY	450316	97LX66	JOY	450389	97MX149	JOY	415072
97KX227	JOY	455200	97KX51	JOY	472636	97LX66	JOY	472492	97MX15	JOY	470219
97KX228	JOY	417532	97KX52	JOY	415995	97LX68	JOY	450519	97MX15	JOY	471649
97KX229	JOY	416154	97KX52	JOY	455013	97LX68	JOY	471271	97MX150	JOY	455583N
97KX23	JOY	412119	97KX53	JOY	471646	97LX81	JOY	450083	97MX153	JOY	417596
97KX23	JOY	450101	97KX55	JOY	450316	97LX81	JOY	472924	97MX156	JOY	416364
97KX230	JOY	417532	97KX55	JOY	472636	97MF6K292AA	FORD	224650	97MX157	JOY	415116
97KX231	JOY	415371	97KX57	JOY	416153	97MX1	JOY	471466	97MX159	JOY	417602
97KX232	JOY	417535	97KX58	JOY	450085	97MX10	JOY	471267	97MX160	JOY	417604
97KX233	JOY	415138	97KX58	JOY	470530	97MX102	JOY	415960	97MX161	JOY	415128
97KX235	JOY	415725	97KX6	JOY	450084	97MX102	JOY	455009	97MX162	JOY	55301S
97KX236	JOY	417278	97KX7	JOY	415449	97MX106	JOY	415995	97MX163	JOY	415090
97KX237	JOY	417542	97KX7	JOY	455147	97MX106	JOY	455013	97MX164	JOY	415001
97KX24	JOY	471765	97KX70	JOY	470954	97MX109	JOY	416011	97MX164	JOY	455001
97KX241	JOY	417262	97KX71	JOY	412920	97MX109	JOY	417621	97MX165	JOY	415645
97KX241	JOY	455448	97KX71	JOY	450132	97MX11	JOY	471570	97MX165	JOY	455104
97KX246	JOY	415072	97KX75	JOY	330385	97MX112	JOY	455018	97MX17	JOY	450342
97KX249	JOY	455480	97KX76	JOY	473236	97MX112	JOY	476470	97MX171	JOY	455330
97KX25	JOY	417316	97KX77	JOY	472810	97MX113	JOY	418028	97MX177	JOY	416891
97KX25	JOY	455004	97KX78	JOY	471442	97MX113	JOY	455137	97MX179	JOY	450316
97KX250	JOY	416239	97KX79	JOY	471532	97MX116	JOY	415991	97MX179	JOY	472636
97KX26	JOY	455018	97KX8	JOY	413469	97MX116	JOY	455146	97MX18	JOY	471762
97KX26	JOY	476470	97KX81	JOY	471529	97MX117	JOY	416339	97MX187	JOY	416364
97KX27	JOY	416137	97KX83	JOY	470590	97MX117	JOY	455031	97MX19	JOY	473420
97KX28	JOY	415036	97KX84	JOY	471267	97MX118	JOY	416339	97MX197	JOY	415138
97KX29	JOY	415645	97KX85	JOY	470590	97MX118	JOY	455031	97MX2	JOY	471466
97KX29	JOY	455104	97KX86	JOY	471571	97MX119	JOY	417211	97MX20	JOY	471747
97KX3	JOY	416107	97KX88	JOY	471648	97MX12	JOY	471571	97MX20	JOY	472674
97KX3	JOY	455073	97KX89	JOY	470120	97MX120	JOY	416345	97MX21	JOY	471763
97KX30	JOY	416921	97KX89	JOY	471224	97MX120	JOY	455033	97MX22	JOY	450154
97KX30	JOY	455011	97KX9	JOY	415027	97MX121	JOY	415034	97MX22	JOY	473234
97KX31	JOY	455019	97KX9	JOY	455027	97MX121	JOY	455034	97MX25	JOY	471765
97KX32	JOY	473313	97KX90	JOY	470219	97MX124	JOY	415036	97MX26	JOY	471413
97KX33	JOY	415007	97KX90	JOY	471649	97MX125	JOY	415295	97MX27	JOY	470163
97KX34	JOY	415025	97KX91	JOY	470120	97MX127	JOY	416891	97MX27	JOY	471766
97KX35	JOY	470169	97KX91	JOY	471224	97MX128	JOY	455195	97MX28	JOY	473213
97KX35	JOY	473214	97KX92	JOY	481650	97MX128	JOY	472157	97MX29	JOY	417344
97KX36	JOY	415988	97KX93	JOY	450444	97MX129	JOY	416888	97MX29	JOY	455006
97KX37	JOY	471138	97KX93	JOY	471835	97MX129	JOY	455200	97MX3	JOY	471466

INTERCHANGE SECTION

COMPETITIVE INTERCHANGES



Mfr No.	Mfr. National	Mfr No.	Mfr. National	Mfr No.	Mfr. National	Mfr No.	Mfr. National
97MX31	JOY 471750	97MX81	JOY 450083	97VX123	JOY 410694	97VX26	JOY 455018
97MX32	JOY 471413	97MX81	JOY 472924	97VX124	JOY 411394	97VX26	JOY 476470
97MX34	JOY 417316	97MX82	JOY 450301	97VX124	JOY 450317	97VX27	JOY 416137
97MX34	JOY 455004	97MX82	JOY 472397	97VX125	JOY 417073	97VX28	JOY 415036
97MX38	JOY 481163	97MX83	JOY 450311	97VX126	JOY 411245	97VX29	JOY 415645
97MX39	JOY 471192	97MX84	JOY 450311	97VX126	JOY 455096	97VX29	JOY 455104
97MX40	JOY 472029	97MX85	JOY 450365	97VX127	JOY 415449	97VX3	JOY 416107
97MX42	JOY 470169	97MX85	JOY 470898	97VX127	JOY 455147	97VX3	JOY 455073
97MX42	JOY 473214	97MX86	JOY 450365	97VX128	JOY 415302	97VX30	JOY 416921
97MX43	JOY 473215	97MX86	JOY 470898	97VX129	JOY 415458	97VX30	JOY 455011
97MX44	JOY 473226	97MX87	JOY 472234	97VX129	JOY 455003	97VX31	JOY 455019
97MX45	JOY 473225	97MX89	JOY 410520	97VX13	JOY 415035	97VX32	JOY 473313
97MX47	JOY 470548	97MX89	JOY 471272	97VX13	JOY 455035	97VX33	JOY 415007
97MX47	JOY 470625	97MX90	JOY 450316	97VX130	JOY 417485	97VX34	JOY 415025
97MX48	JOY 470059	97MX90	JOY 472636	97VX131	JOY 455005	97VX35	JOY 470169
97MX48	JOY 470380	97MX93	JOY 413478	97VX132	JOY 417344	97VX35	JOY 473214
97MX49	JOY 470059	97MX94	JOY 413478	97VX132	JOY 455006	97VX36	JOY 415988
97MX49	JOY 470380	97MX95	JOY 411245	97VX133	JOY 417134	97VX4	JOY 416666
97MX50	JOY 450185	97MX95	JOY 455096	97VX134	JOY 417486	97VX40	JOY 410496
97MX50	JOY 473229	97MX96	JOY 416288	97VX135	JOY 416654	97VX41	JOY 415041
97MX51	JOY 450316	97MX98	JOY 417343	97VX135	JOY 455012	97VX42	JOY 415379
97MX51	JOY 472636	97MX99	JOY 455151	97VX138	JOY 416011	97VX42	JOY 455379
97MX52	JOY 415995	97P3	WHITE 455151	97VX138	JOY 417621	97VX43	JOY 418028
97MX52	JOY 455013	97VX1	JOY 417563	97VX139	JOY 415021	97VX43	JOY 455137
97MX53	JOY 415991	97VX10	JOY 415058	97VX140	JOY 455336	97VX44	JOY 450067
97MX53	JOY 455146	97VX100	JOY 450070	97VX141	JOY 415023	97VX44	JOY 473228
97MX56	JOY 470682	97VX100	JOY 472185	97VX142	JOY 415937	97VX45	JOY 473225
97MX57	JOY 470358	97VX101	JOY 450183	97VX143	JOY 455032	97VX46	JOY 450082
97MX57	JOY 473231	97VX101	JOY 472179	97VX144	JOY 415034	97VX46	JOY 473238
97MX58	JOY 450194	97VX102	JOY 450089	97VX144	JOY 455034	97VX47	JOY 415960
97MX58	JOY 473010	97VX103	JOY 473450	97VX145	JOY 417513	97VX47	JOY 455009
97MX59	JOY 450194	97VX104	JOY 473458	97VX146	JOY 455195	97VX48	JOY 450083
97MX59	JOY 473010	97VX105	JOY 450298	97VX146	JOY 472157	97VX48	JOY 472924
97MX60	JOY 473445	97VX105	JOY 473239	97VX147	JOY 416891	97VX49	JOY 417356
97MX61	JOY 450154	97VX106	JOY 471868	97VX148	JOY 416153	97VX49	JOY 455188
97MX61	JOY 473234	97VX107	JOY 472439	97VX149	JOY 415371	97VX5	JOY 472185
97MX62	JOY 470074	97VX108	JOY 472394	97VX15	JOY 455008	97VX50	JOY 473463
97MX62	JOY 474265	97VX109	JOY 450301	97VX150	JOY 415138	97VX52	JOY 415995
97MX63	JOY 450494	97VX109	JOY 472397	97VX151	JOY 457874	97VX52	JOY 455013
97MX63	JOY 472164	97VX11	JOY 417487	97VX152	JOY 416239	97VX53	JOY 471646
97MX64	JOY 450183	97VX11	JOY 455014	97VX153	JOY 417507	97VX54	JOY 450069
97MX64	JOY 472179	97VX110	JOY 473242	97VX153	JOY 455513	97VX54	JOY 473232
97MX66	JOY 450389	97VX111	JOY 410102	97VX156	JOY 472560N	97VX55	JOY 450316
97MX66	JOY 472492	97VX112	JOY 416738	97VX156	JOY 50151S	97VX55	JOY 472636
97MX68	JOY 450519	97VX112	JOY 450096	97VX159	JOY 471472	97VX57	JOY 416153
97MX68	JOY 471271	97VX113	JOY 450307	97VX16	JOY 470163	97VX58	JOY 450085
97MX69	JOY 415449	97VX114	JOY 450115	97VX16	JOY 471766	97VX58	JOY 470530
97MX69	JOY 455147	97VX114	JOY 473467	97VX17	JOY 457874	97VX59	JOY 450095
97MX7	JOY 471231	97VX115	JOY 413469	97VX18	JOY 416339	97VX59	JOY 473464
97MX70	JOY 450291	97VX116	JOY 410312N	97VX18	JOY 455031	97VX6	JOY 450084
97MX70	JOY 471141	97VX117	JOY 472015	97VX19	JOY 415064	97VX60	JOY 410190
97MX73	JOY 450118	97VX118	JOY 473243	97VX2	JOY 417546	97VX61	JOY 471571
97MX73	JOY 473449	97VX119	JOY 473245	97VX20	JOY 415045	97VX62	JOY 470712
97MX76	JOY 472439	97VX12	JOY 456105	97VX21	JOY 416892	97VX63	JOY 473016
97MX77	JOY 450117	97VX120	JOY 412920	97VX22	JOY 455024	97VX64	JOY 470059
97MX77	JOY 472572	97VX120	JOY 450132	97VX23	JOY 412119	97VX64	JOY 470380
97MX78	JOY 472319	97VX121	JOY 411376	97VX23	JOY 450101	97VX65	JOY 471820
97MX8	JOY 450030	97VX121	JOY 455093	97VX24	JOY 471765	97VX66	JOY 470064
97MX8	JOY 474253	97VX122	JOY 410737	97VX25	JOY 417316	97VX66	JOY 471821
97MX80	JOY 472394	97VX122	JOY 450737	97VX25	JOY 455004	97VX67	JOY 450194

INTERCHANGE SECTION

COMPETITIVE INTERCHANGES

Mfr No.	Mfr. National	Mfr No.	Mfr. National	Mfr No.	Mfr. National	Mfr No.	Mfr. National
97VX67	JOY 473010	97X107	JOY 6241S	97X157	JOY 450308	97X2	JOY 417546
97VX68	JOY 473446	97X108	JOY 480210	97X158	JOY 411253	97X20	JOY 415045
97VX7	JOY 415001	97X11	JOY 417487	97X158	JOY 450099	97X200	JOY 416167
97VX7	JOY 455001	97X11	JOY 455014	97X159	JOY 411376	97X200	JOY 455091
97VX70	JOY 472144	97X110	JOY 473225	97X159	JOY 455093	97X201	JOY 416865
97VX71	JOY 450094	97X114	JOY 415196	97X16	JOY 470163	97X201	JOY 455070
97VX71	JOY 473462	97X116	JOY 471472	97X16	JOY 471766	97X202	JOY 416865
97VX72	JOY 411253	97X118	JOY 471549	97X160	JOY 410694	97X202	JOY 455070
97VX72	JOY 450099	97X119	JOY 471532	97X161	JOY 411394	97X204	JOY 415072
97VX73	JOY 470120	97X12	JOY 456105	97X161	JOY 450317	97X206	JOY 457874
97VX73	JOY 471224	97X120	JOY 481073	97X162	JOY 416271	97X207	JOY 417563
97VX74	JOY 416444	97X121	JOY 450025	97X163	JOY 417073	97X208	JOY 416229
97VX75	JOY 416271	97X121	JOY 471553	97X164	JOY 410496	97X209	JOY 411376
97VX76	JOY 417171	97X123	JOY 471689	97X165	JOY 415302	97X209	JOY 455093
97VX77	JOY 455022	97X124	JOY 470219	97X166	JOY 415458	97X21	JOY 416892
97VX78	JOY 455026	97X124	JOY 471649	97X166	JOY 455003	97X210	JOY 416239
97VX8	JOY 413469	97X125	JOY 470120	97X167	JOY 417485	97X211	JOY 415551
97VX80	JOY 481568	97X125	JOY 471224	97X168	JOY 455005	97X212	JOY 455406
97VX81	JOY 450083	97X126	JOY 450044	97X169	JOY 417134	97X213	JOY 417606
97VX81	JOY 472924	97X127	JOY 471763	97X17	JOY 457874	97X214	JOY 417020
97VX85	JOY 470590	97X128	JOY 470045	97X170	JOY 455144	97X216	JOY 471648
97VX86	JOY 471648	97X128	JOY 476838	97X171	JOY 417486	97X22	JOY 455024
97VX87	JOY 450044	97X129	JOY 470712	97X172	JOY 417488	97X23	JOY 412119
97VX88	JOY 471763	97X13	JOY 415035	97X174	JOY 416011	97X23	JOY 450101
97VX89	JOY 470045	97X13	JOY 455035	97X174	JOY 417621	97X24	JOY 471765
97VX89	JOY 476838	97X130	JOY 471785	97X175	JOY 416288	97X25	JOY 417316
97VX9	JOY 415027	97X131	JOY 471750	97X176	JOY 417491	97X25	JOY 455004
97VX9	JOY 455027	97X132	JOY 470548	97X177	JOY 415379	97X251	JOY 410520
97VX90	JOY 471785	97X132	JOY 470625	97X177	JOY 455379	97X251	JOY 471272
97VX91	JOY 470950	97X133	JOY 450185	97X178	JOY 412473	97X253	JOY 471354
97VX91	JOY 6241S	97X133	JOY 473229	97X178	JOY 415894	97X254	JOY 415995
97VX92	JOY 470548	97X134	JOY 470682	97X179	JOY 417191	97X254	JOY 455013
97VX92	JOY 470625	97X135	JOY 451469	97X18	JOY 416339	97X259	JOY 471570
97VX93	JOY 470064	97X136	JOY 450078	97X18	JOY 455031	97X26	JOY 455018
97VX93	JOY 471821	97X136	JOY 473444	97X180	JOY 415025	97X26	JOY 476470
97VX94	JOY 450185	97X137	JOY 450194	97X181	JOY 455249	97X261	JOY 417351
97VX94	JOY 473229	97X137	JOY 473010	97X182	JOY 415711	97X261	JOY 455154
97VX95	JOY 470682	97X138	JOY 473446	97X183	JOY 415937	97X262	JOY 415437
97VX96	JOY 450078	97X139	JOY 473236	97X184	JOY 415379	97X262	JOY 455173
97VX96	JOY 473444	97X140	JOY 450068	97X184	JOY 455379	97X263	JOY 415991
97VX97	JOY 473236	97X141	JOY 450183	97X185	JOY 455032	97X263	JOY 455146
97VX98	JOY 470074	97X141	JOY 472179	97X186	JOY 417366	97X264	JOY 417196
97VX98	JOY 474265	97X142	JOY 450076	97X187	JOY 417211	97X267	JOY 471684
97VX99	JOY 450068	97X142	JOY 470334	97X188	JOY 417210	97X267	JOY 471698
97X	JOY 471684	97X143	JOY 450089	97X189	JOY 416345	97X268	JOY 471567
97X	JOY 471698	97X144	JOY 473450	97X189	JOY 455033	97X269	JOY 473213
97X1	JOY 417563	97X145	JOY 471866	97X19	JOY 415064	97X27	JOY 416137
97X10	JOY 415058	97X146	JOY 473458	97X190	JOY 415034	97X270	JOY 55419
97X100	JOY 417344	97X147	JOY 471868	97X190	JOY 455034	97X271	JOY 416892
97X100	JOY 455006	97X148	JOY 472439	97X191	JOY 417512	97X272	JOY 415938
97X101	JOY 416654	97X15	JOY 455008	97X192	JOY 417513	97X273	JOY 418028
97X101	JOY 455012	97X151	JOY 450301	97X193	JOY 416891	97X273	JOY 455137
97X102	JOY 417497	97X151	JOY 472397	97X194	JOY 455195	97X274	JOY 415437
97X103	JOY 417492	97X152	JOY 473242	97X194	JOY 472157	97X275	JOY 470027
97X104	JOY 415995	97X153	JOY 416738	97X195	JOY 416888	97X275	JOY 471554
97X104	JOY 455013	97X153	JOY 450096	97X195	JOY 455200	97X276	JOY 470590
97X105	JOY 473245	97X154	JOY 450307	97X196	JOY 415371	97X279	JOY 416664
97X106	JOY 470059	97X155	JOY 410312N	97X197	JOY 417247	97X279	JOY 455364
97X106	JOY 470380	97X156	JOY 413469	97X198	JOY 415138	97X28	JOY 415036
97X107	JOY 470950	97X157	JOY 410308	97X199	JOY 415066	97X280	JOY 473471

INTERCHANGE SECTION

COMPETITIVE INTERCHANGES



Mfr No.	Mfr. National	Mfr No.	Mfr. National	Mfr No.	Mfr. National	Mfr No.	Mfr. National
97X281	JOY 417520	97X45	JOY 471466	97X88	JOY 473238	982801165	HINO 710421
97X282	JOY 473228	97X46	JOY 450082	97X89	JOY 472144	982801184	HINO 717004
97X282	JOY 51098	97X46	JOY 473238	97X9	JOY 415027	982801193	HINO 710052
97X284	JOY 416345	97X47	JOY 415960	97X9	JOY 455027	982801193A	HINO 710052
97X284	JOY 455033	97X47	JOY 455009	97X90	JOY 472144	982801195	HINO 710052
97X287	JOY 417562	97X48	JOY 450083	97X91	JOY 473460	982801195A	HINO 710052
97X289	JOY 40140S	97X48	JOY 472924	97X92	JOY 473460	982801204	HINO 710369
97X29	JOY 415645	97X49	JOY 417356	97X93	JOY 450298	982801204A	HINO 710369
97X29	JOY 455104	97X49	JOY 455188	97X93	JOY 473239	982801206	HINO 710295
97X290	JOY 415938	97X5	JOY 450070	97X94	JOY 472394	982801206A	HINO 710295
97X291	JOY 471466	97X5	JOY 472185	97X96	JOY 416444	982801207	HINO 710421
97X292	JOY 470120	97X50	JOY 473461	97X97	JOY 411245	982801216	HINO 710052
97X292	JOY 471224	97X51	JOY 450316	97X97	JOY 455096	982801229	HINO 710421
97X293	JOY 473474	97X51	JOY 472636	97X98	JOY 415449	982801229A	HINO 710421
97X294	JOY 471466	97X52	JOY 415995	97X98	JOY 455147	982801230	HINO 710052
97X296	JOY 450177	97X52	JOY 455013	97X99	JOY 455151	982801230A	HINO 710052
97X3	JOY 416107	97X53	JOY 471646	98005R91	IH 472439	982801231	HINO 710371
97X3	JOY 455073	97X54	JOY 450069	9800LPD	JN-MN 455194	982801231A	HINO 710371
97X30	JOY 416921	97X54	JOY 473232	9800LUP	JN-MN 455194	982827102	HINO 712009
97X30	JOY 455011	97X55	JOY 450316	9805	C-R 712012	982848110	HINO 710296
97X300	JOY 415124	97X55	JOY 472636	9805	SKF 712012	982848112	HINO 710296
97X301	JOY 416125	97X57	JOY 416153	981006	BORGW 471466	982848112A	HINO 710296
97X302	JOY 417262	97X58	JOY 450085	981200	SPICE 470045	982852112	HINO 225225
97X302	JOY 455448	97X58	JOY 470530	981200	SPICE 476838	982858105	HINO 225875
97X303	JOY 350414	97X59	JOY 417316	981247	BORGW 481073	982866105	HINO 710055
97X303	JOY 472311	97X59	JOY 455004	981480	SPICE 416047	982866105A	HINO 710055
97X307	JOY 415013	97X6	JOY 450084	981480	SPICE 416332	982866106	HINO 710055
97X307	JOY 415995	97X60	JOY 410737	9815	C-R 240731	982866106A	HINO 710055
97X308	JOY 471424	97X60	JOY 450737	9815LPD	JN-MN 416654	982880102	HINO 228020
97X31	JOY 455019	97X61	JOY 471763	9815LPD	JN-MN 455012	982880105	HINO 228020
97X315	JOY 471391	97X63	JOY 417073	9815LUP	JN-MN 416654	982880120	HINO 228020
97X32	JOY 473313	97X64	JOY 415379	9815LUP	JN-MN 455012	982890108	HINO 229005
97X323	JOY 470189	97X64	JOY 455379	9818	C-R 342517	982800109A	HINO 231004
97X323	JOY 41692	97X65	JOY 416239	9818	SKF 342517	983006R91	IH 6635S
97X328	JOY 472560N	97X66	JOY 417247	981818	BORGW 471264	98305	WITTE 450083
97X328	JOY 50151S	97X7	JOY 415001	981RC	SUL 472287	98305	WITTE 472924
97X329	JOY 473237	97X7	JOY 455001	9820	C-R 441130	98305A	WITTE 450867
97X33	JOY 415007	97X71	JOY 415991	982095	BORGW 471224	98305A	WITTE 470898
97X331	JOY 481792	97X71	JOY 455146	9820LPD	JN-MN 415138	98309	CINMI 471785
97X332	JOY 417480	97X72	JOY 410102	9820LUP	JN-MN 415138	9830LPD	JN-MN 417605
97X332	JOY 455860	97X73	JOY 471571	982259R91	IH 370012A	9830LUP	JN-MN 417605
97X34	JOY 415025	97X75	JOY 473426	982483R91	IH 100495	98317	TW-CO 471267
97X346	JOY 417344	97X76	JOY 450115	982483R91	IH 415281N	9831LPD	JN-MN 481163
97X35	JOY 470169	97X76	JOY 473467	982591R91	IH 417262	9831LUP	JN-MN 481163
97X35	JOY 473214	97X77	JOY 413469	982591R91	IH 455448	9833	C-R 472311V
97X354	JOY 417602	97X78	JOY 417171	9825LPD	JN-MN 450104	9833S	NATL 8705S
97X36	JOY 415988	97X79	JOY 415021	9825LUP	JN-MN 450104	9835	C-R 240414
97X37	JOY 471138	97X8	JOY 413469	9826	C-R 252277	9835	C-R 350414
97X39	JOY 416664	97X80	JOY 455022	9826	SKF 252277	9835	C-R 42311S
97X39	JOY 455364	97X81	JOY 415023	982800102	HINO 231004	9835	C-R 472311
97X4	JOY 416666	97X82	JOY 473215	982800109	HINO 231004	983570R1	IH 370003A
97X40	JOY 472029	97X83	JOY 470059	982801104	HINO 717004	983570R1	NAVST 380003A
97X41	JOY 417507	97X83	JOY 470380	982801112	HINO 710421	9837	BORGW 471466
97X41	JOY 455513	97X84	JOY 470064	982801125	HINO 710421	9837	C-R 350414
97X42	JOY 415379	97X84	JOY 471821	982801137	HINO 710371	9837	C-R 472311
97X42	JOY 455379	97X85	JOY 473235	982801137A	HINO 710371	9838	C-R 350414
97X43	JOY 418028	97X86	JOY 472070	982801147	HINO 710371	9838	C-R 472311
97X43	JOY 455137	97X87	JOY 470074	982801147A	HINO 710371	9843	C-R 712016
97X44	JOY 450067	97X87	JOY 474265	982801148	HINO 717004	9844	C-R 5857
97X44	JOY 473228	97X88	JOY 450082	982801149	HINO 717004	9844	KEN 5857

INTERCHANGE SECTION

COMPETITIVE INTERCHANGES

Mfr No.	Mfr.	National	Mfr No.	Mfr.	National	Mfr No.	Mfr.	National	Mfr No.	Mfr.	National
9845	NATL	6936S	9879	C-R	481224V	9907	C-R	473380	99116	SKF	99116
9845	TIMKE	9845	98794001	HENDR	370025A	99076	C-R	99076	99118	C-R	99118
9845V	TIMKE	9845V	98794001	HENDR	380025A	99076	SKF	99076	99118	SKF	99118
984631	VIC	415035	987RC	SUL	472287	99076RS	VIC	99076	99118RS	VIC	99118
984631	VIC	415953	98860R91	IH	410312N	99078	C-R	99078	9912	BORGW	470027
9847	C-R	472311V	9886LPD	JN-MN	455121	99078	SKF	99078	9912	BORGW	471554
9847	SKF	472311V	9886LUP	JN-MN	455121	99078RS	VIC	99078	99120	C-R	99120
98471	HYST	415295	9889	C-R	6847S	9907SKR	NATL	370086A	99120	SKF	99120
9848LPD	JN-MN	471652	9889	SKF	6847S	99080	C-R	99080	99121	C-R	99121
9848LPD	JN-MN	482208	988M6700A5B	FORD	713771	99080	SKF	99080	99121	SKF	99121
9848LUP	JN-MN	471652	9892LPD	JN-MN	415711	99081	C-R	99081	99122	C-R	99122
9848LUP	JN-MN	482208	9892LUP	JN-MN	415711	99081	SKF	99081	99123	C-R	99123
98492	HYST	471341	9894	C-R	471270	99082	C-R	99082	99123	SKF	99123
9849LPD	JN-MN	450078	9894	HYST	473215	99082	SKF	99082	99125	C-R	99125
9849LPD	JN-MN	473444	9894	SKF	471270	99084	C-R	99084	99125	SKF	99125
9849LUP	JN-MN	450078	9895	HYST	455032	99084	SKF	99084	99125RS	VIC	99125
9849LUP	JN-MN	473444	98960	BORGW	470954	99085	C-R	99085	99128	C-R	99128
9850	C-R	471224	9898	TOWNR	450452	99085	SKF	99085	99128	SKF	99128
9852	C-R	471224	9898	TOWNR	473197	99085RS	VIC	99085	99128RS	VIC	99128
9852	SKF	471224	98AB2B384BB	FORD	100944	99086	C-R	99086	99129	C-R	99129
98520	TW-CO	474278	9900	C-R	343123	99086	SKF	99086	99129	SKF	99129
98520	TW-CO	480356	9900	SKF	343123	99087	C-R	99087	99129RS	VIC	99129
98524	HYST	410183N	990065	ACF	40468	99087	SKF	99087	9912S	TIMKE	9912
98539	BORGW	470120	9900LPD	JN-MN	471760	99087RS	VIC	99087	99131	C-R	99131
98539	BORGW	471224	9900LUP	JN-MN	471760	99091	C-R	99091	99131	SKF	99131
9854	C-R	471224V	990101	ACF	450494	99091	SKF	99091	99131RS	VIC	99131
9854LPD	JN-MN	450494	990101	ACF	472164	99092	C-R	99092	99133	C-R	99133
9854LPD	JN-MN	472164	990132	SPICE	473423	99092	SKF	99092	99133	SKF	99133
9854LUP	JN-MN	450494	990132	VIC	473423	99094	C-R	99094	99133RS	VIC	99133
9854LUP	JN-MN	472164	99019R91	IH	470120	99094	SKF	99094	99134	C-R	99134
9858LUP	JN-MN	471424	99019R91	IH	471224	99096	C-R	99096	99134	SKF	99134
9859	C-R	340120	99022R91	IH	475012N	99096	SKF	99096	99138	C-R	99138
9859LPD	JN-MN	471224	9903	C-R	473380	99096RS	VIC	99096	99138	SKF	99138
9859LUP	JN-MN	471224	99031	AM WH	450494	99098	C-R	99098	99138RS	VIC	99138
9862	C-R	471224V	99031	AM WH	472164	99098	SKF	99098	99139	C-R	99139
9862	C-R	481224V	99032	AM WH	472439	99098RS	VIC	99098	99139	SKF	99139
9862	SKF	471224V	99049	C-R	99049	99100	C-R	99101	99139RS	VIC	99139
9862	SKF	481224V	99049	SKF	99049	99100	SKF	99101	99143	C-R	99143
98630R91	IH	6663S	99049RS	VIC	99049	99100RS	VIC	99101	99143	SKF	99143
9863LPD	JN-MN	416273	99050	C-R	99050	99103	C-R	99103	99143RS	VIC	99143
9863LUP	JN-MN	416273	99050	SKF	99050	99103	SKF	99103	99144	C-R	99144
98643	HYST	470737N	99055	C-R	99055	99103RS	VIC	99103	99144	SKF	99144
9864S	TIMKE	9864S	99055	SKF	99055	99106	C-R	99106	99144RS	VIC	99144
9866LPD	JN-MN	415035	99056	C-R	99056	99106	SKF	99106	99146	C-R	99146
9866LPD	JN-MN	455035	99056	SKF	99056	99106RS	VIC	99106	99146	SKF	99146
9866LUP	JN-MN	415035	99058	C-R	99058	99108	C-R	99108	99146RS	VIC	99146
9866LUP	JN-MN	455035	99058	SKF	99058	99108	SKF	99108	99147	C-R	99147
98732	HYST	417503	99059	C-R	99059	991108	BORGW	471442	99147	SKF	99147
987570R1	IH	JV753	99059	SKF	99059	99111	C-R	99111	99147RS	VIC	99147
9876	C-R	470120	99059RS	VIC	99059	99111	SKF	99111	99149	C-R	99149
9876	C-R	471224	99060	C-R	99060	99111RS	VIC	99111	99149	SKF	99149
9876	SKF	470120	99060	SKF	99060	99112	C-R	99112	99149RS	VIC	99149
9876	SKF	471224	99060RS	VIC	99060	99112	SKF	99112	9915	GACO	710638
9876LPD	JN-MN	417344	99062	C-R	99062	99112RS	VIC	99112	99150	C-R	99150
9876LPD	JN-MN	455006	99062	SKF	99062	99114	BR-ST	450025	99150	SKF	99150
9876LUP	JN-MN	417344	99062RS	VIC	99062	99114	BR-ST	471553	99150RS	VIC	99150
9876LUP	JN-MN	455006	99065	ACF	40468	99114	C-R	99114	99152	C-R	99152
9878	C-R	471224	99068	C-R	99068	99114	SKF	99114	99152	SKF	99152
9878	SKF	471224	99068	SKF	99068	99114RS	VIC	99114	99153	C-R	99153
9879	C-R	471224V	99068RS	VIC	99068	99116	C-R	99116	99153	SKF	99153

INTERCHANGE SECTION

COMPETITIVE INTERCHANGES



Mfr No.	Mfr. National	Mfr No.	Mfr. National	Mfr No.	Mfr. National	Mfr No.	Mfr. National
99155	C-R 99155	99180	C-R 99180	99212	C-R 99212	99248	C-R 99248
99155	SKF 99155	99180	SKF 99180	99212	SKF 99212	99248	SKF 99248
99155RS	VIC 99155	99181	C-R 99181	99212RS	VIC 99212	992481C91	IH 370150A
99156	C-R 99156	99181	SKF 99181	99215	C-R 99215	99248RS	VIC 99248
99156	SKF 99156	99181RS	VIC 99181	99215	SKF 99215	99249	C-R 99249
99156RS	VIC 99156	99182	C-R 99182	99215RS	VIC 99215	99249	SKF 99249
99157	C-R 99157	99182	SKF 99182	99218	C-R 99218	99250	C-R 99250
99157	SKF 99157	99184	C-R 99184	99218	SKF 99218	99250	SKF 99250
99157RS	VIC 99157	99184	SKF 99184	99218RS	VIC 99218	99250RS	VIC 99250
99159	C-R 99159	99185	C-R 99185	99219	C-R 99219	99251	C-R 99251
99159	SKF 99159	99185	SKF 99185	99219	SKF 99219	99251	SKF 99251
99160	C-R 99160	99186	C-R 99186	99220	C-R 99220	99253	C-R 99253
99160	SKF 99160	99186	SKF 99186	99220	SKF 99220	99253	SKF 99253
99161	C-R 99161	99186RS	VIC 99186	99225	BR-ST 473016	99253RS	VIC 99253
99161	SKF 99161	99187	C-R 99187	99225	C-R 99225	99254	C-R 99254
99162	C-R 99162	99187	SKF 99187	99225	SKF 99225	99254	SKF 99254
99162	SKF 99162	99187RS	VIC 99187	99225RS	VIC 99225	99254RS	VIC 99254
99162RS	VIC 99162	99188	C-R 99188	99226	C-R 99226	99256	C-R 99256
99163	C-R 99163	99188	SKF 99188	99226	SKF 99226	99256	SKF 99256
99163	SKF 99163	99189	C-R 99189	99226RS	VIC 99226	99256RS	VIC 99256
99165	C-R 99165	99189	SKF 99189	99227	C-R 99227	99259	C-R 99259
99165	SKF 99165	99189RS	VIC 99189	99227	SKF 99227	99259	SKF 99259
99166	C-R 99166	9918LPD	JN-MN 417134	992280	AMC 40316S	99259RS	VIC 99259
99166	SKF 99166	9918LUP	JN-MN 417134	992293	WILYS 415458	99260	C-R 99260
99166RS	VIC 99166	99190	C-R 99190	992293	WILYS 475458	99260	SKF 99260
99167	C-R 99167	99190	SKF 99190	992297	AMC 415458	99260RS	VIC 99260
99167	SKF 99167	99192	C-R 99192	992297	AMC 475458	99261	C-R 99261
99168	C-R 99168	99192	SKF 99192	992297	WILYS 415458	99261	SKF 99261
99168	SKF 99168	99193	C-R 99193	992297	WILYS 475458	99261RS	VIC 99261
99168RS	VIC 99168	99193	SKF 99193	99230	C-R 99230	99262	C-R 99262
99169	C-R 99169	99193RS	VIC 99193	99230	SKF 99230	99262	SKF 99262
99169	SKF 99169	99196	C-R 99196	99230RS	VIC 99230	99262RS	VIC 99262
99169RS	VIC 99169	99196	SKF 99196	99231	C-R 99231	99264	C-R 99264
9916A	BORGW 471466	99196RS	VIC 99196	99231	SKF 99231	99264	SKF 99264
99170	C-R 99170	99198	C-R 99198	99231RS	VIC 99231	99266	C-R 99266
99170	SKF 99170	99198	SKF 99198	99233	C-R 99233	99266	SKF 99266
99170RS	VIC 99170	99199	C-R 99199	99233	SKF 99233	99267	C-R 99267
99171	C-R 99171	99199	SKF 99199	99233RS	VIC 99233	99267	SKF 99267
99171	SKF 99171	99199RS	VIC 99199	99235	C-R 99235	99267RS	VIC 99267
99171RS	VIC 99171	99200	C-R 99200	99235	SKF 99235	99269	C-R 99269
99172	C-R 99172	99200	SKF 99200	99235RS	VIC 99235	99269	SKF 99269
99172	SKF 99172	99200RS	VIC 99200	99236RS	VIC 99236	99269RS	VIC 99269
99172RS	VIC 99172	992018	LONG 414045	99237	C-R 99237	99272	C-R 99272
99174	C-R 99174	992019	LONG 470120	99237	SKF 99237	99272	SKF 99272
99174	SKF 99174	992019	LONG 471224	99237RS	VIC 99237	99272RS	VIC 99272
99174RS	VIC 99174	992021	LONG 450365	99238	C-R 99238	99273	C-R 99273
99175	BR-ST 450593	992021	LONG 470898	99238	SKF 99238	99273	SKF 99273
99175	C-R 99175	992024	LONG 471267	99238RS	VIC 99238	99273RS	VIC 99273
99175	SKF 99175	992026	LONG 450452	99240	C-R 99240	99274	C-R 99274
99175RS	VIC 99175	992026	LONG 473197	99240	SKF 99240	99274	SKF 99274
99176	BR-ST 481644	99203	BORGW 410163	99240RS	VIC 99240	99274RS	VIC 99274
99176	C-R 99176	99203	BORGW 471766	99241	C-R 99241	99275	C-R 99275
99176	SKF 99176	99204	C-R 99204	99241	SKF 99241	99275	SKF 99275
99176RS	VIC 99176	99204	SKF 99204	99242	C-R 99242	99275RS	VIC 99275
99177	C-R 99177	99205	C-R 99205	99242	SKF 99242	99276	C-R 99276
99177	SKF 99177	99205	SKF 99205	99243	C-R 99243	99276	SKF 99276
99177RS	VIC 99177	99205RS	VIC 99205	99243	SKF 99243	99276RS	VIC 99276
99179	C-R 99179	99210	C-R 99210	99243RS	VIC 99243	99281	C-R 99281
99179	SKF 99179	99210	SKF 99210	99244	C-R 99244	99281	SKF 99281
99179RS	VIC 99179	99210RS	VIC 99210	99244	SKF 99244	99281RS	VIC 99281

INTERCHANGE SECTION

COMPETITIVE INTERCHANGES

Mfr No.	Mfr. National	Mfr No.	Mfr. National	Mfr No.	Mfr. National	Mfr No.	Mfr. National
99282	C-R 99282	99317	SKF 99317	99353	C-R 99353	99393	SKF 99393
99282	SKF 99282	9932	C-R 471649	99353	SKF 99353	99393RS	VIC 99393
99282RS	VIC 99282	9932	SKF 471649	99354	C-R 99354	99395	C-R 99395
99284	C-R 99284	99322	C-R 99322	99354	SKF 99354	99395	SKF 99395
99284	SKF 99284	99322	SKF 99322	99354RS	VIC 99354	99395RS	VIC 99395
99286	C-R 99286	99322RS	VIC 99322	99356	C-R 99356	9939690	ALFAR 710780
99286	SKF 99286	99323	C-R 99323	99356	SKF 99356	99399	C-R 99399
99286RS	VIC 99286	99323	SKF 99323	99356RS	VIC 99356	99399	SKF 99399
99287	C-R 99287	99324	C-R 99324	99359	C-R 99359	99399RS	VIC 99399
99287	SKF 99287	99324	SKF 99324	99359	SKF 99359	99400	C-R 99400
99287RS	VIC 99287	99324RS	VIC 99324	9935SS	JN-MN 473235	99400	SKF 99400
99289	C-R 99289	99325	C-R 99325	99360	C-R 99360	99401	C-R 99401
99289	SKF 99289	99325	SKF 99325	99360	SKF 99360	99401	SKF 99401
99290	C-R 99290	99325RS	VIC 99325	99362	C-R 99362	99401RS	VIC 99401
99290	SKF 99290	99326	C-R 99326	99362	SKF 99362	99406	CHRYSLER 473313
99290RS	VIC 99290	99326	SKF 99326	99362RS	VIC 99362	99406	NEWPR 710005
99291	C-R 99291	99328	C-R 99328	99363	C-R 99363	99406	NPG 710005
99291	SKF 99291	99328	SKF 99328	99363	SKF 99363	99409	C-R 99409
99291RS	VIC 99291	99331	C-R 99331	993631	ACF 455556	99409	SKF 99409
99293	C-R 99293	99331	SKF 99331	99363RS	VIC 99363	99412	C-R 99412
99293	SKF 99293	99331RS	VIC 99331	99364	C-R 99364	99412	SKF 99412
99293RS	VIC 99293	99332	C-R 99332	99364	SKF 99364	99413	C-R 99413
99294	C-R 99294	99332	SKF 99332	99364RS	VIC 99364	99413	SKF 99413
99294	SKF 99294	99333	C-R 99333	99365	C-R 99365	99413RS	VIC 99413
99294RS	VIC 99294	99333	SKF 99333	99365	SKF 99365	99416	BORGW 471570
99296	C-R 99296	99333RS	VIC 99333	99366	C-R 99366	99418	C-R 99418
99296	SKF 99296	99334	SKF 99334	99366	SKF 99366	99418	SKF 99418
99296RS	VIC 99296	99334RS	VIC 99334	99367	C-R 99367	9942169	FIAT 710642
99298	C-R 99298	99337	C-R 99337	99367	SKF 99367	99423	BORGW 471785
99298	SKF 99298	99337	SKF 99337	99367RS	VIC 99367	99423	C-R 99423
99298RS	VIC 99298	99337RS	VIC 99337	99368	C-R 99368	99423	CLARK 473420
99299	C-R 99299	99339	C-R 99339	99368	SKF 99368	99423	SKF 99423
99299	SKF 99299	99339	SKF 99339	99368RS	VIC 99368	99423RS	VIC 99423
99299RS	VIC 99299	99339RS	VIC 99339	99369	C-R 99369	99424	BORGW 471689
99300	C-R 99300	9934	C-R 470219	99369	SKF 99369	99424	C-R 99424
99300	SKF 99300	9934	C-R 471649	99369RS	VIC 99369	99424	SKF 99424
99300RS	VIC 99300	9934	SKF 470219	9937	C-R 471649V	99424RS	VIC 99424
99303	C-R 99303	9934	SKF 471649	9937	SKF 471649V	994258	AMC 481837
99303	SKF 99303	99340	C-R 99340	99372	C-R 99372	994258	AMGEN 481837
99303RS	VIC 99303	99340	SKF 99340	99372	SKF 99372	994261	AMC 9912
99306	C-R 99306	99340RS	VIC 99340	99372RS	VIC 99372	994261	AMGEN 9912
99306	SKF 99306	99343	BORGW 471570	99374	C-R 99374	9943	TIMKE 9943
99307	C-R 99307	99346	C-R 99346	99374	SKF 99374	99434	C-R 99434
99307	SKF 99307	99346	SKF 99346	99374RS	VIC 99374	99434	SKF 99434
9930LPD	JN-MN 415196	99347	C-R 99347	99376	C-R 99376	99435	C-R 99435
9930LUP	JN-MN 415196	99347	SKF 99347	99376	SKF 99376	99435	SKF 99435
99311	C-R 99311	99347RS	VIC 99347	99376RS	VIC 99376	99435RS	VIC 99435
99311	SKF 99311	99349	C-R 99349	993785	ACF 410316	99437	C-R 99437
99311RS	VIC 99311	99349	SKF 99349	993785	ACF 472636	99437	SKF 99437
99312	C-R 99312	99349RS	VIC 99349	993802	ACF 6270	99437RS	VIC 99437
99312	SKF 99312	9935	C-R 471649	993803	ACF 5401	99438	C-R 99438
99312RS	VIC 99312	9935	SKF 471649	99386	C-R 99386	99438	SKF 99438
99313	C-R 99313	99350	C-R 99350	99386	SKF 99386	99439	C-R 99439
99313	SKF 99313	99350	SKF 99350	99387	C-R 99387	99439	SKF 99439
99313RS	VIC 99313	99350RS	VIC 99350	99387	SKF 99387	99440	BR-ST 470219
99315	C-R 99315	99351	C-R 99351	99387RS	VIC 99387	99440	BR-ST 471649
99315	SKF 99315	99351	SKF 99351	9939	C-R 471649V	9945	HYST 415449
99315RS	VIC 99315	99351RS	VIC 99351	9939	SKF 471649V	9945	HYST 455147
99317	BR-ST 471567	99352	C-R 99352	993926	GW 340483	99450	C-R 99450
99317	C-R 99317	99352	SKF 99352	99393	C-R 99393	99450	SKF 99450

INTERCHANGE SECTION

COMPETITIVE INTERCHANGES



Mfr No.	Mfr. National	Mfr No.	Mfr. National	Mfr No.	Mfr. National	Mfr No.	Mfr. National
99450RS	VIC 99450	9952LUP	JN-MN 473228	9963LPD	JN-MN 415138	998497	AMC 480821
99452	C-R 99452	99533	C-R 99533	9963LUP	JN-MN 415138	99852	C-R 99852
99452	SKF 99452	99533	SKF 99533	99640	C-R 99640	99852	SKF 99852
99452RS	VIC 99452	99537	C-R 99537	99640	SKF 99640	99854	C-R 99854
99463	C-R 99463	99537	SKF 99537	9964LPD	JN-MN 417549	99854	SKF 99854
99463	SKF 99463	99549	C-R 99549	9964LUP	JN-MN 417549	99858	CHRY5 2287
99463RS	VIC 99463	99549	SKF 99549	99650	C-R 99650	998J	OSHKO 415036
99465	C-R 99465	99549RS	VIC 99549	99650	SKF 99650	99911342641	PORSC 229005
99465	SKF 99465	99550	C-R 99550	99650RS	VIC 99650	99911345840	PORSC 710173
99468	C-R 99468	99550	SKF 99550	996693	CLARK 204017	99911349041	PORSC 716102
99468	SKF 99468	99552	C-R 99552	9967	C-R 712013	99911301250	PORSC 1973
99468RS	VIC 99468	99552	SKF 99552	9967	SKF 712013	99911302950	PORSC 226020
99471	C-R 99471	9955LPD	JN-MN 450183	99675	C-R 99675	99911304950	PORSC 226020
99471	SKF 99471	9955LPD	JN-MN 472179	99675	SKF 99675	99911305750	PORSC 226520
99472	C-R 99472	9955LUP	JN-MN 450183	99675RS	VIC 99675	99911305751	PORSC 226520
99472	SKF 99472	9955LUP	JN-MN 472179	99687	C-R 99687	99911305752	PORSC 226520
99472RS	VIC 99472	99560	C-R 99560	99687	SKF 99687	99911321540	PORSC 229005
99473	C-R 99473	99560	SKF 99560	99710121200	PORSC 716102	99911326840	PORSC 710642
99473	SKF 99473	99562	C-R 99562	99710121201	PORSC 716102	99911327040	PORSC 229005
99473RS	VIC 99473	99562	SKF 99562	99700	C-R 99700	99911329040	PORSC 223050
99475	C-R 99475	9956SS	JN-MN 473405	99700	SKF 99700	99911329041	PORSC 223050
99475	SKF 99475	99571	C-R 99571	99700RS	VIC 99700	99911329042	PORSC 223050
99475RS	VIC 99475	99571	SKF 99571	99710226491	PORSC 229005	99911333140	PORSC 710642
9947LPD	JN-MN 450291	99575	C-R 99575	99721	C-R 99721	99911333150	PORSC 710642
9947LPD	JN-MN 471141	99575	SKF 99575	99721	SKF 99721	99911347540	PORSC 710196
9947LUP	JN-MN 450291	99575RS	VIC 99575	99725	C-R 99725	99911347640	PORSC 716102
9947LUP	JN-MN 471141	9958	CHRY5 2287	99725	SKF 99725	99911349040	PORSC 716102
99484	CHRY5 471424	9958548629	MAZDA 710320	9973LPD	JN-MN 415867	99902	CINMI 470086
99487	C-R 99487	9958548659	MAZDA 1973	9973LUP	JN-MN 415867	99911307750	PORSC 1012N
99487	SKF 99487	9958552709	MAZDA 225225	99745	C-R 99745	99911323540	PORSC 226520
99490	C-R 99490	9958555729	MAZDA 225530	99745	SKF 99745	99911326440	PORSC 229005
99490	SKF 99490	9958565903	MAZDA 226530	99750	C-R 99750	99911328240	PORSC 223020
99491	C-R 99491	9958608166	MAZDA 220860	99750	SKF 99750	99911346140	PORSC 229005
99491	SKF 99491	99587	C-R 99587	99750RS	VIC 99750	9992LPD	JN-MN 471567
99492	C-R 99492	99587	SKF 99587	9975LPD	JN-MN 471646	9992LUP	JN-MN 471567
99492	SKF 99492	99595	C-R 99595	9975LUP	JN-MN 471646	9993LPD	JN-MN 415072
99492RS	VIC 99492	99596	C-R 99596	99786	CINMI 470050	9993LUP	JN-MN 415072
99494	C-R 99494	99596	SKF 99596	99787	C-R 99787	9995	C-R 471689
99494	SKF 99494	99599	C-R 99599	99787	SKF 99787	9995	SKF 471689
99494RS	VIC 99494	99599	SKF 99599	99787RS	VIC 99787	9997	C-R 471689
99498	C-R 99498	99599RS	VIC 99599	99800	C-R 99800	9997	SKF 471689
99498	SKF 99498	99630180500	PORSC 222820	99800	SKF 99800	99975347	MERCE 223535
99498RS	VIC 99498	99630213100	PORSC 222820	99804	BR-ST 471689	99977	BR-ST 481443
99499	C-R 99499	99639701000	PORSC 710484	998092	AMC 5778	9998	C-R 471689
99499	SKF 99499	9960	C-R 474250	998092	AMGEN 5778	9998	SKF 471689
99499RS	VIC 99499	9960	SKF 474250	998123	AMC 9316	9998LPD	JN-MN 415995
99501	C-R 99501	99601	C-R 99601	99817	BORGW 450365	9998LPD	JN-MN 455013
99501	SKF 99501	99605	C-R 99605	99817	BORGW 470898	9998LUP	JN-MN 415995
99513	C-R 99513	99605	SKF 99605	9982	C-R 471689V	9998LUP	JN-MN 455013
99513	SKF 99513	99606	C-R 99606	9982	SKF 471689V	999KB1608	MACK 350954
99515	BR-ST 470045	99606	SKF 99606	99820	C-R 99820	999KB1608	MACK 470954
99515	BR-ST 476838	99606RS	VIC 99606	99820	SKF 99820	999KB1675	MACK 417210
9951LPD	JN-MN 415351	99620	C-R 99620	9983	C-R 471689V	999KB1920	MACK 416404
9951LUP	JN-MN 415351	99620	SKF 99620	9983	SKF 471689V	999KB1921	MACK 455195
99525	C-R 99525	99625	C-R 99625	99832	C-R 99832	999KB1921	MACK 472157
99525	SKF 99525	99625	SKF 99625	99832	SKF 99832	999M1M3000	NISSA 7412S
99525RS	VIC 99525	99625RS	VIC 99625	9983LPD	JN-MN 471684	99GW2401446	TROS 440265
9952LPD	JN-MN 450067	99630	C-R 99630	9983LPD	JN-MN 471698	9A6904	LEYLD 471192
9952LPD	JN-MN 473228	99630	SKF 99630	9983LUP	JN-MN 471684	9A7847	FED 415254
9952LUP	JN-MN 450067	99630RS	VIC 99630	9983LUP	JN-MN 471698	9A8009	FED 450316

INTERCHANGE SECTION

COMPETITIVE INTERCHANGES

Mfr No.	Mfr.	National	Mfr No.	Mfr.	National
9A8009	FED	472636	9L8P1177BB	FORD	710706
9B1208	CATER	450085	9L8P7A248AA	FORD	710712
9B1208	CATER	470530	9L8P7H260BA	FORD	710709
9B140	CATER	471763	9L8Z1177A	FORD	710709
9B5662	CATER	415437	9L8Z1177B	FORD	710706
9B6453	CATER	471750	9L8Z1177BA	FORD	710706
9B8053	CATER	471530	9L8Z1177C	FORD	710705
9D6581	CATER	710023	9L8Z1177D	FORD	710709
9D6582	CATER	710024	9L8Z1177E	FORD	710709
9D6584	CATER	710026	9L8Z1177F	FORD	710709
9D6585	CATER	710027	9L8Z1177G	FORD	710709
9E5G6700AA	FORD	223750	9L8Z7A248D	FORD	710712
9E5Z6700A	FORD	223750	9L9077	CATER	415725
9F3487	CATER	471466	9L9185	CATER	480988H
9F3848	CATER	471554	9M3879	CATER	416892
9F3850	CATER	410312N	9M5351	CATER	471419
9F3958	CATER	471103	9M5351	CATER	473367
9F3958	CATER	50197S	9M7432	CATER	471224
9F5088	CATER	416125	9M7962	CATER	415449
9F7959	CATER	415213N	9M7962	CATER	455147
9F8616	CATER	455018	9N0307	CATER	3783
9F8616	CATER	476470	9N0307	FPDSL	3783
9H223	CATER	470954V	9N1190B	FORD	6336S
9H223	IH	470954V	9N18183	FORD	240385
9H2257	CATER	473460	9N307	CATER	3783
9H2258	CATER	450083	9N703A	FORD	471829
9H2258	CATER	472924	9N703A2	FORD	471829
9H6079	CATER	417316	9N703B	FORD	471829
9H6079	CATER	455004	9N749	DURA	470169
9H6504	CATER	413246N	9N749	DURA	473214
9H8839	CATER	471413	9N749	FORD	470169
9H9484	CATER	472572	9N749	FORD	473214
9H9678	CATER	470380	9N749	SPICE	470169
9J0107	CATER	J1122	9N749	SPICE	473214
9J0110	CATER	J1126	9N749B	DURA	470169
9J107	CATER	J1122	9N749B	DURA	473214
9J110	CATER	J1126	9N750	DURA	473236
9J22	STERL	471255	9N750	SPICE	473236
9J606	STERL	415066	9N750B	DURA	473236
9J687	STERL	416865	9N750B	FORD	473236
9J687	STERL	455070	9S2391	CATER	472258V
9J772	STERL	415196	9SK095	WHITE	5M466
9K2199	CATER	415066	9SK0524	WHITE	474273
9L126	CATER	470328	9T16	STERL	417343
9L126	CATER	481213	9T17	STERL	473457
9L2W4B416BA	FORD	100537	9T18	STERL	413469
9L2Z4B416B	FORD	100537	9Y9895	CATER	41163T
9L3P7052AA	FORD	710672			
9L3P7052AB	FORD	710672			
9L3P7052BA	FORD	710673			
9L3P7052BB	FORD	710673			
9L3Z7052A	FORD	710672			
9L3Z7052B	FORD	710673			
9L7188	CATER	415725			
9L7600	CATER	39801			
9L7735	CATER	480988H			
9L7736	CATER	39801			
9L8336	CATER	J1606			
9L8P1177AA	FORD	710705			
9L8P1177BA	FORD	710706			

INTERCHANGE SECTION

NOTES

Blank lined area for notes.

Other Quality Industrial Products



Wear Sleeves

As precision components that press-fit onto a shaft, Timken's line of Wear Sleeves may deter damage to shafts and spindles, both in use and during transport.

Designed for ambient-temperature assembly and available in various sizes and finishes, Wear Sleeves provide protective seal running surfaces and reduce the need for complex and expensive shaft machining, repair or replacement.



O-Ring Seal Kits

Available in inch and metric sizes, Timken's line of O-Ring Seal Kits have the coverage you need for the most popular applications. O-Ring Seals are made of a high-quality Nitrile rubber or a high-temperature fluoroelastomer.

Timken can provide you with three assortments: OK-311, OK-312 and OK-411. The MD-999 O-Ring identification gauge, designed to measure and identify O-Ring sizes.



Installation Tools

The RD-2000 and RD-2001 tools help to properly install seals and prevent unnecessary downtime.

Timken's RD-2000 Seal Driver puts seals in place quickly, easily and without damage, allowing smooth equipment operation without premature seal leakage.

The RD-2001 Bearing Race and Seal Driver easily installs bearings and seals without damaging the bearing race or housing.

Timken also offers the time-saving RD-2004 O-Ring Installation and Removal Tool, as well as the durable and precise MD-2000 Metal Caliper.

Алматы (7273)495-231
Ангарск (3955)60-70-56
Архангельск (8182)63-90-72
Астрахань (8512)99-46-04
Барнаул (3852)73-04-60
Белгород (4722)40-23-64
Благовещенск (4162)22-76-07
Брянск (4832)59-03-52
Владивосток (423)249-28-31
Владикавказ (8672)28-90-48
Владимир (4922)49-43-18
Волгоград (844)278-03-48
Вологда (8172)26-41-59
Воронеж (473)204-51-73
Екатеринбург (343)384-55-89

Иваново (4932)77-34-06
Ижевск (3412)26-03-58
Иркутск (395)279-98-46
Казань (843)206-01-48
Калининград (4012)72-03-81
Калуга (4842)92-23-67
Кемерово (3842)65-04-62
Киров (8332)68-02-04
Коломна (4966)23-41-49
Кострома (4942)77-07-48
Краснодар (861)203-40-90
Красноярск (391)204-63-61
Курск (4712)77-13-04
Курган (3522)50-90-47
Липецк (4742)52-20-81

Магнитогорск (3519)55-03-13
Москва (495)268-04-70
Мурманск (8152)59-64-93
Набережные Челны (8552)20-53-41
Нижний Новгород (831)429-08-12
Новокузнецк (3843)20-46-81
Ноябрьск (3496)41-32-12
Новосибирск (383)227-86-73
Омск (3812)21-46-40
Орел (4862)44-53-42
Оренбург (3532)37-68-04
Пенза (8412)22-31-16
Петрозаводск (8142)55-98-37
Псков (8112)59-10-37
Пермь (342)205-81-47

Ростов-на-Дону (863)308-18-15
Рязань (4912)46-61-64
Самара (846)206-03-16
Санкт-Петербург (812)309-46-40
Саратов (845)249-38-78
Севастополь (8692)22-31-93
Саранск (8342)22-96-24
Симферополь (3652)67-13-56
Смоленск (4812)29-41-54
Сочи (862)225-72-31
Ставрополь (8652)20-65-13
Сургут (3462)77-98-35
Сыктывкар (8212)25-95-17
Тамбов (4752)50-40-97
Тверь (4822)63-31-35

Тольятти (8482)63-91-07
Томск (3822)98-41-53
Тула (4872)33-79-87
Тюмень (3452)66-21-18
Ульяновск (8422)24-23-59
Улан-Удэ (3012)59-97-51
Уфа (347)229-48-12
Хабаровск (4212)92-98-04
Чебоксары (8352)28-53-07
Челябинск (351)202-03-61
Череповец (8202)49-02-64
Чита (3022)38-34-83
Якутск (4112)23-90-97
Ярославль (4852)69-52-93

Россия +7(495)268-04-70

Казахстан +7(7172)727-132

Киргизия +996(312)96-26-47

<https://timken.nt-rt.ru/> || tek@nt-rt.ru